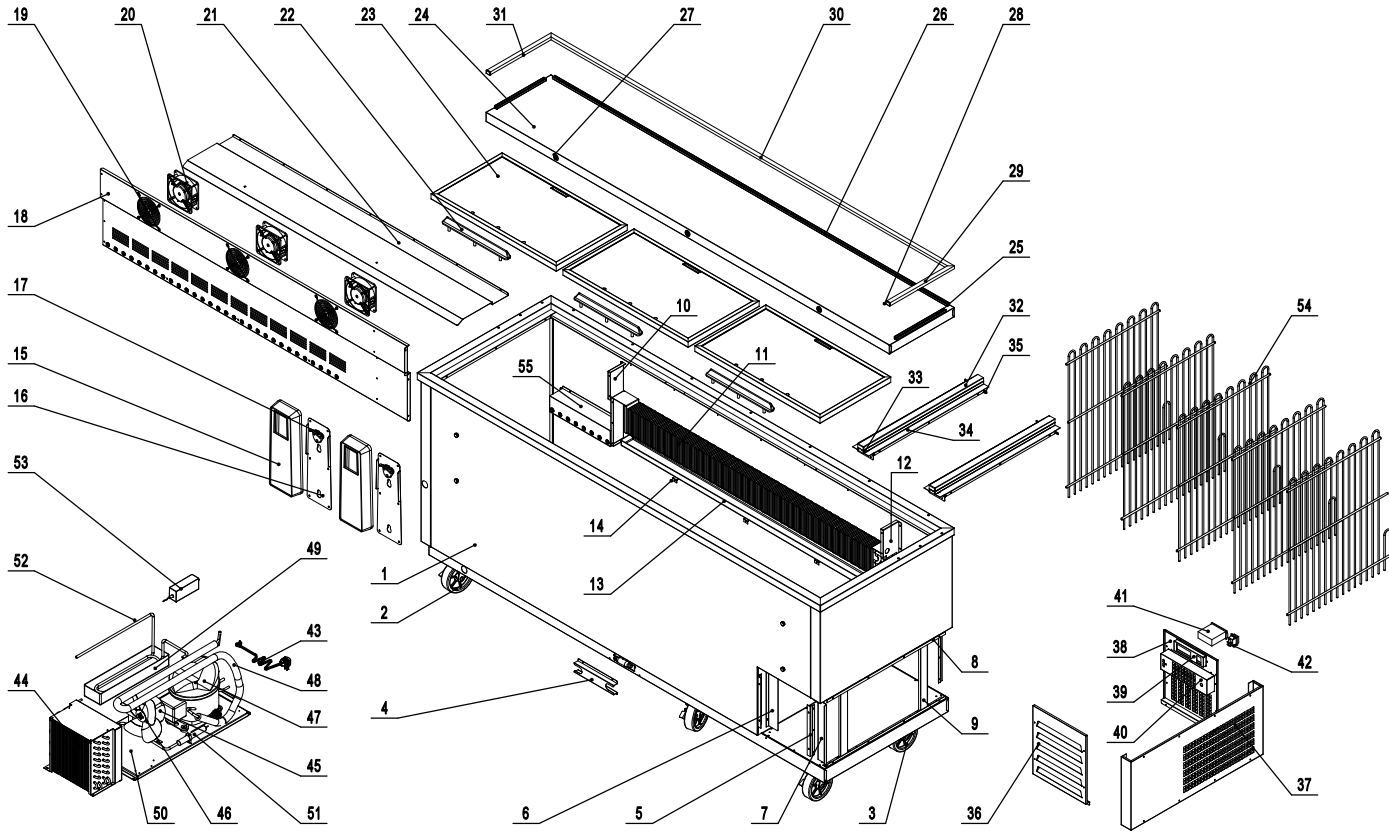


MBC80GR

REV 01.2025



| No. | Old Part # | New Part # | Part Name | Qty | No. | Old Part # | New Part # | Part Name | Qty |
|-----|----------------|------------------|------------------------------|-----|-----|--------------|------------------|-------------------------------|-----|
| 1 | MBC00802060100 | #N/A | Cabinet Assembly | 1 | 20 | W0301112 | R03001000015 | Evap Fan Motor | 3 |
| 2 | B0604434 | R06001000016 | 3" Plate Caster W/ Brake | 3 | 21 | MBC80-0141 | #N/A | Cabinet Air Deflector | 1 |
| 3 | B0604433 | R06001000015 | 3" Plate Caster W/O Brake | 3 | 22 | W0401025 | R04001000003 | Handle | 3 |
| 4 | MKC58-0705 | MKC0058106015430 | Tee Drain Pipe Cover | 1 | 23 | 01MBC8000-01 | #N/A | Sliding Lid | 3 |
| 5 | MBC50-0510 | #N/A | Front Air Vent Frame Support | 4 | 24 | MBC80-0111 | #N/A | Counter Top Assembly | 1 |
| 6 | MBC50-0513 | #N/A | Condenser Air Baffle | 1 | 25 | W041000077 | R04012000105 | Short Plastic Trim Base | 2 |
| 7 | MBC50-0512 | #N/A | Right Condenser Air Baffle | 1 | 26 | W041000125 | R04012000143 | Long Plastic Trim Base | 1 |
| 8 | MBC50-0508 | #N/A | Right Air Vent Frame Support | 2 | 27 | W0604007 | R06003000004 | Lock&Key | 3 |
| 9 | MBC50-0509 | #N/A | Unit Frame Support | 2 | 28 | W040900065 | R04011000031 | Plastic Trim Base End | 2 |
| 10 | MBC50-0602 | #N/A | Evap Left Cover | 1 | 29 | W041000063 | R04012000095 | Right Short Plastic Trim | 1 |
| 11 | W0202063 | R02002000022 | Evaporator | 1 | 30 | W041000119 | R04012000137 | Long Plastic Trim | 1 |
| 12 | MBC50-0603 | #N/A | Evap Right Cover | 1 | 31 | W041000062 | R04012000094 | Left Short Plastic Trim | 1 |
| 13 | W0411094 | #N/A | Evap Drain Pan | 1 | 32 | MBC50-0133 | #N/A | Middle Plastic Trim Top Cover | 2 |
| 14 | MBC50-0612 | #N/A | Evap Front Cover Bracket | 3 | 33 | W041000069 | #N/A | Middle Plastic Trim | 2 |
| 15 | W040900066 | R04011000032 | Bottle Opener Bracket Cover | 2 | 34 | MBC50-0132 | #N/A | Plastic Sliding Part | 6 |
| 16 | MBC50-0609 | MBC0050106013500 | Bottle Opener Bracket | 2 | 35 | MBC50-0131 | #N/A | Middle Trim Support | 2 |
| 17 | W0604117 | R13999000015 | Bottle Opener | 2 | 36 | MBC50-0502 | MBC0050111001430 | Front Air Vent Cover | 1 |
| 18 | MBC80-0601 | #N/A | Evap Front Cover | 1 | 37 | MBC50-0503 | MBC0050112001430 | Unit Side Air Vent Cover | 1 |
| 19 | W0604065 | R06005000008 | Evap Fan Guard | 3 | 38 | MBC50-0504 | MBC0050106008430 | Back Air Vent Cover | 1 |

| No. | Old Part # | New Part # | Part Name | Qty |
|-----|------------------|--------------|----------------------------------|-----|
| 39 | MBC50-0505 | #N/A | Back Air Vent Controller Bracket | 1 |
| 40 | MKC58-0704 | #N/A | Power Cord Box | 1 |
| 41 | W0302173 | R03002000042 | Digital Controller | 1 |
| 42 | W0308019 | R03008000008 | Power Switch | 1 |
| 43 | W0305134 | R03005000012 | Power Cord | 1 |
| 44 | W0203065 | R02005000014 | Condenser | 1 |
| 45 | W0301905-1 | R03001000100 | Condenser Fan Motor | 1 |
| 46 | W0301060 | R03000000013 | Condenser Fan Blade | 1 |
| 47 | W0201042 | R02000000007 | Compressor | 1 |
| 48 | W0210391 | #N/A | Suction Tube | 1 |
| 49 | EPF3462104015201 | #N/A | Condenser Drian Pan | 1 |
| 50 | MBC50-0501 | #N/A | Condensing Unit Base Board | 1 |
| 51 | W0204100 | R02014000002 | Filter Drier | 1 |
| 52 | W0210390 | #N/A | Condenser Coil | 1 |
| 53 | W0399116 | R03024000004 | Power Supply/Transformer | 1 |
| 54 | W0402360 | R06004000021 | Shelf | 5 |
| 55 | MBC80-0613 | #N/A | Shelf Installation Box | 1 |