

MBF8004GR

REV 09.2024

A

B

C

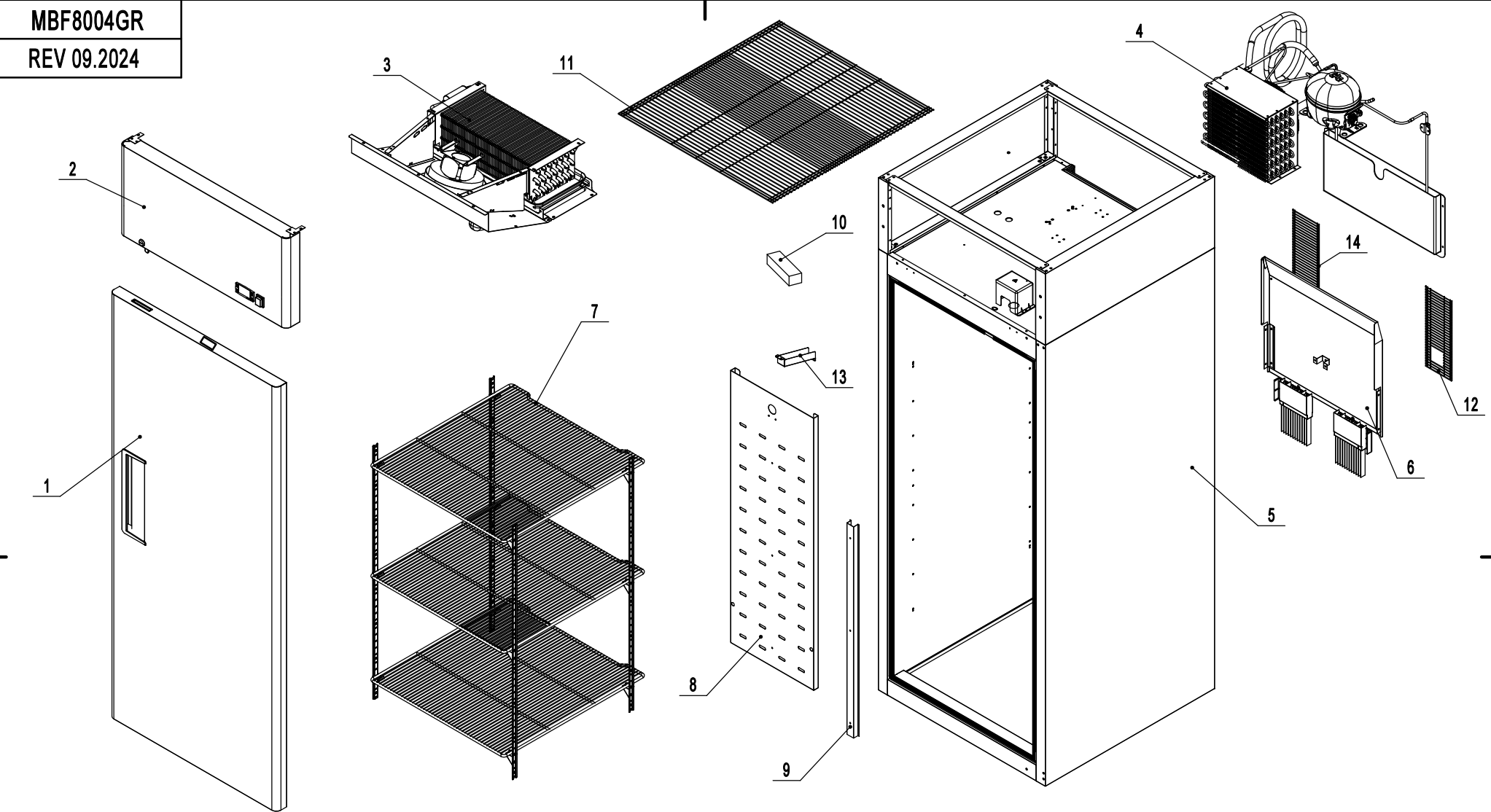
D

A

B

C

D

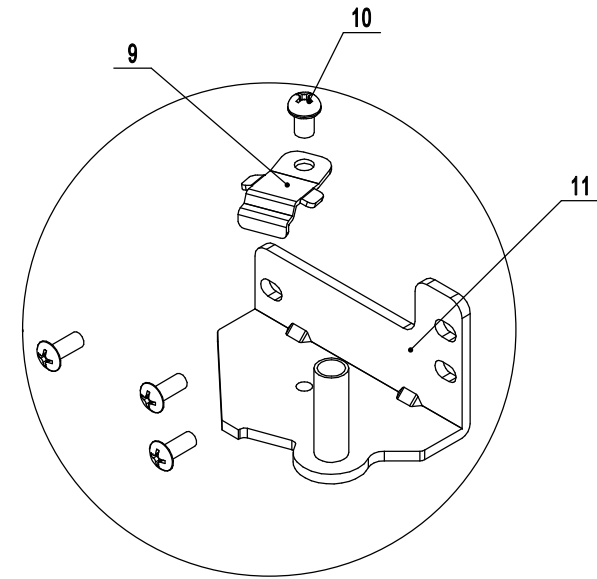
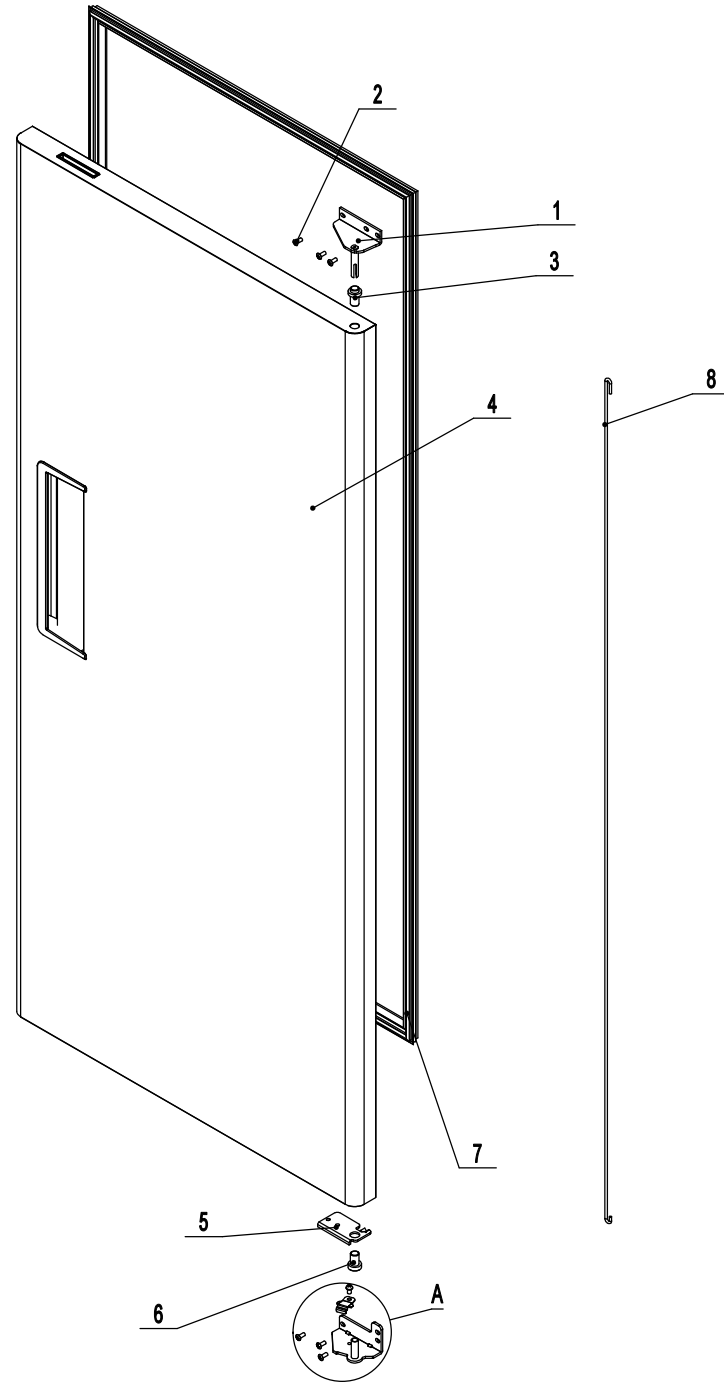


| | | | |
|----|--------------|---------------------------------------|---|
| 16 | B0604413 | 4" M14 Stem Caster W/ Brake | 2 |
| 15 | B0604421 | 4" M14 Stem Caster W/O Brake | 2 |
| 14 | W0402616-2 | Right Top Back Barrier | 1 |
| 13 | W0409081 | Drain Pipe Cover | 1 |
| 12 | W0402616-1 | Left(with wire hole) Top Back Barrier | 1 |
| 11 | W0402664 | Top Barrier | 1 |
| 10 | W0399115 | Power Supply/Transformer | 1 |
| 9 | 80011041 | Air Deflector Bracket | 1 |
| 8 | 80011042-430 | Air Deflector | 1 |

| No. | Part # | Part Name | Qty |
|-----|------------|----------------------------|-----|
| 7 | 8001GR-SA | Shelf Assembly | 4 |
| 6 | 8001GR-WEA | Water Evaporation Assembly | 1 |
| 5 | 8004GR-CA | Cabinet Assembly | 1 |
| 4 | 8004GR-CCA | Comp&Cond Assembly | 1 |
| 3 | 8004GR-EA | Evaporator Assembly | 1 |
| 2 | 8004GR-TPA | Top Panel Assembly | 1 |
| 1 | 8001-DA | Door Assembly | 1 |

8004-DA

REV 09.2024



| 11 | W0604037 | Bottom Right Hinge | 1 |
|-----|----------|---------------------|-----|
| 10 | B0507015 | M6x8 SS Screw | 1 |
| 9 | W0604038 | Stopper Hinge | 1 |
| 8 | W0604921 | Door Spring Bar | 1 |
| 7 | W0404514 | Door Gasket | 1 |
| 6 | W0409843 | Bottom Hinge Sleeve | 1 |
| 5 | W0604030 | Door Stopper(Right) | 1 |
| 4 | 80010201 | Single Door | 1 |
| 3 | W0409842 | Top Hinge Sleeve | 1 |
| 2 | B0502207 | M5x12 SS Screw | 6 |
| 1 | W0604033 | Top Right Hinge | 1 |
| No. | Part # | Part Name | Qty |

8004GR-TPA

REV 09.2024

A

B

C

D

1 2 3 4 5 6

1

7

2

3

8

6

4.1

5

| | | | |
|-----|--------------|------------------------------------|-----|
| 8 | W0409887 | Controller Cover | 1 |
| 7 | 80021404 | Top Panel Corner Brace | 2 |
| 6 | W0302303 | Controller Bracket | 1 |
| 5 | W0308019 | Green Power Switch | 1 |
| 4.1 | W0302186 | Digital Controller(Before 2020.03) | 1 |
| 4 | W0302174 | Digital Controller | 1 |
| 3 | W0409161 | Grey Panel Magnetic Switch | 1 |
| 2 | W0604007 | Lock & Key | 1 |
| 1 | 81131403-430 | Top Front Panel | 1 |
| No. | Part # | Part Name | Qty |

1 2 3 4 5 6

A

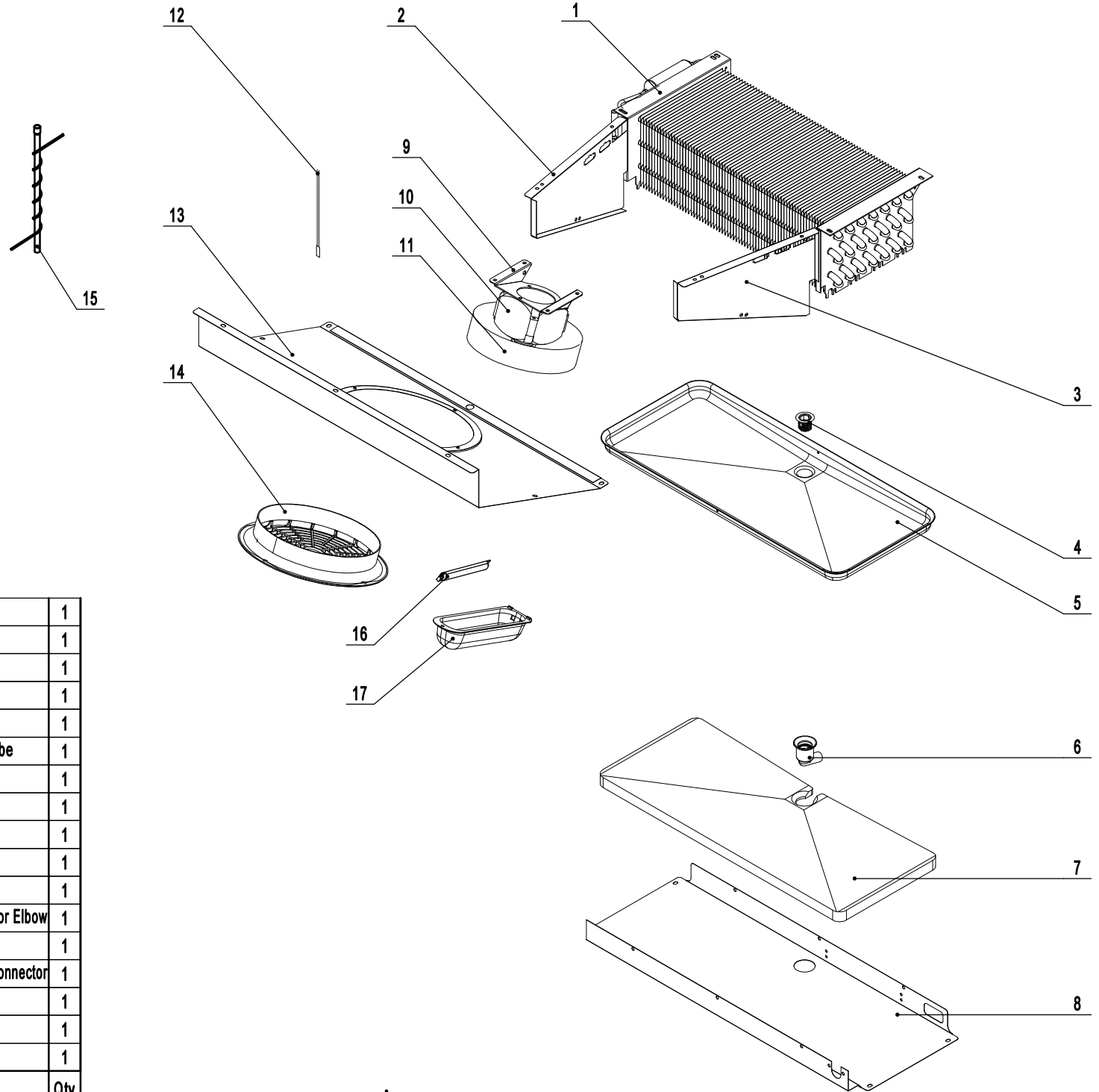
B

C

D

8004GR-EA

REV 09.2024



| | | | |
|-----|--------------|--------------------------------|-----|
| 17 | W0409863 | Light Cover | 1 |
| 16 | W0304086 | LED Light | 1 |
| 15 | W0210415 | Suction Tube B | 1 |
| 14 | W0409080 | Evap Fan Shroud | 1 |
| 13 | 81131204-430 | Evap Front Cover | 1 |
| 12 | W0302316 | Room Temp White Probe | 1 |
| 11 | W0301059 | Evap Fan Blade | 1 |
| 10 | W0301904 | Evap Fan Motor | 1 |
| 9 | 80021501 | Evap Fan Bracket | 1 |
| 8 | 81131203-430 | Drain Pan Foam Cover | 1 |
| 7 | W0803011 | Drain Pan Foam | 1 |
| 6 | W0409858 | Evap Drain Pan Connector Elbow | 1 |
| 5 | 80012001 | Evap Drain Pan | 1 |
| 4 | W0409859 | Evap Drain Pan Screw Connector | 1 |
| 3 | 80021204 | Right Evap Air Baffle | 1 |
| 2 | 80021203 | Left Evap Air Baffle | 1 |
| 1 | W0202117 | Evaporator | 1 |
| No. | Part # | Part Name | Qty |

8004GR-CCA

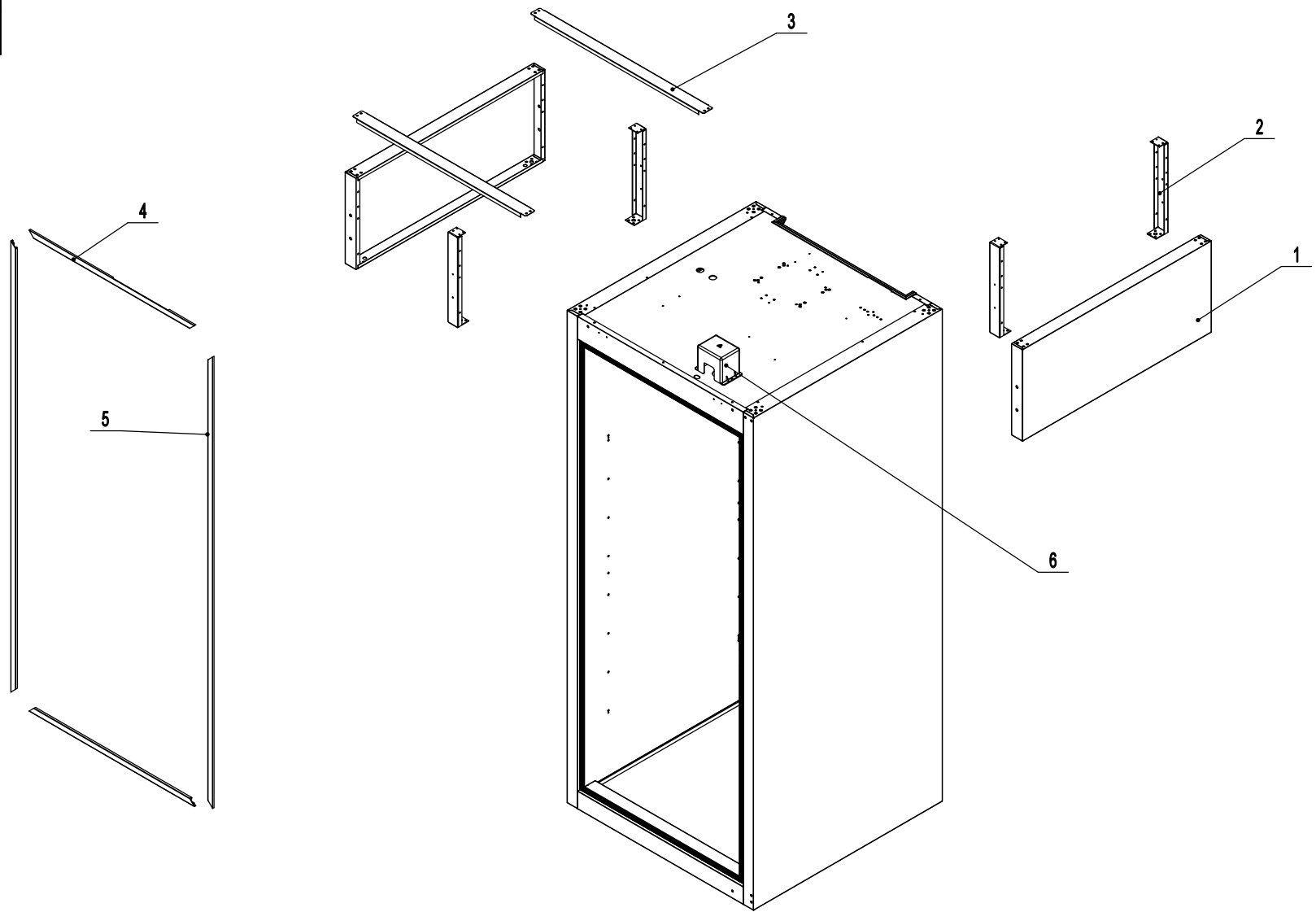
REV 09.2024

| | | | |
|----|----------|--------------------------|---|
| 13 | W0210458 | Discharge Tube To Tee | 1 |
| 12 | W0210416 | Discharge Tube From Comp | 1 |
| 11 | W0203072 | Condenser | 1 |
| 10 | W0204101 | Filter Drier | 1 |
| 9 | W0301061 | Condenser Fan Blade | 1 |
| 8 | 80061601 | Condenser Fan Bracket | 1 |
| 7 | W0301915 | Condenser Fan Motor | 1 |

| | | | |
|-----|----------|-----------------------------|-----|
| 6 | W0210542 | Suction Tube A | 1 |
| 5 | W0201163 | Compressor | 1 |
| 4 | W0210413 | Discharge Tube | 1 |
| 3 | W0413062 | Discharge Tube Retainer Pad | 2 |
| 2 | W0409071 | Condenser Drain Pan | 1 |
| 1 | W0409078 | Air Pressure Relief Valve | 1 |
| No. | Part # | Part Name | Qty |

8004GR-CA

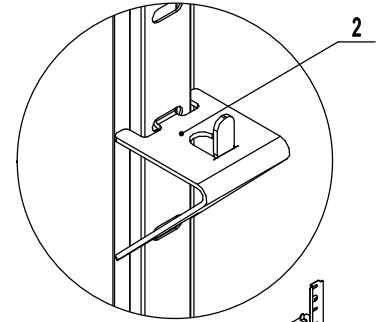
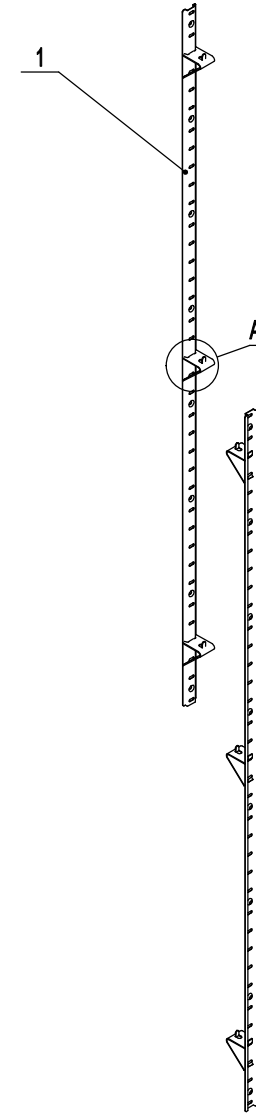
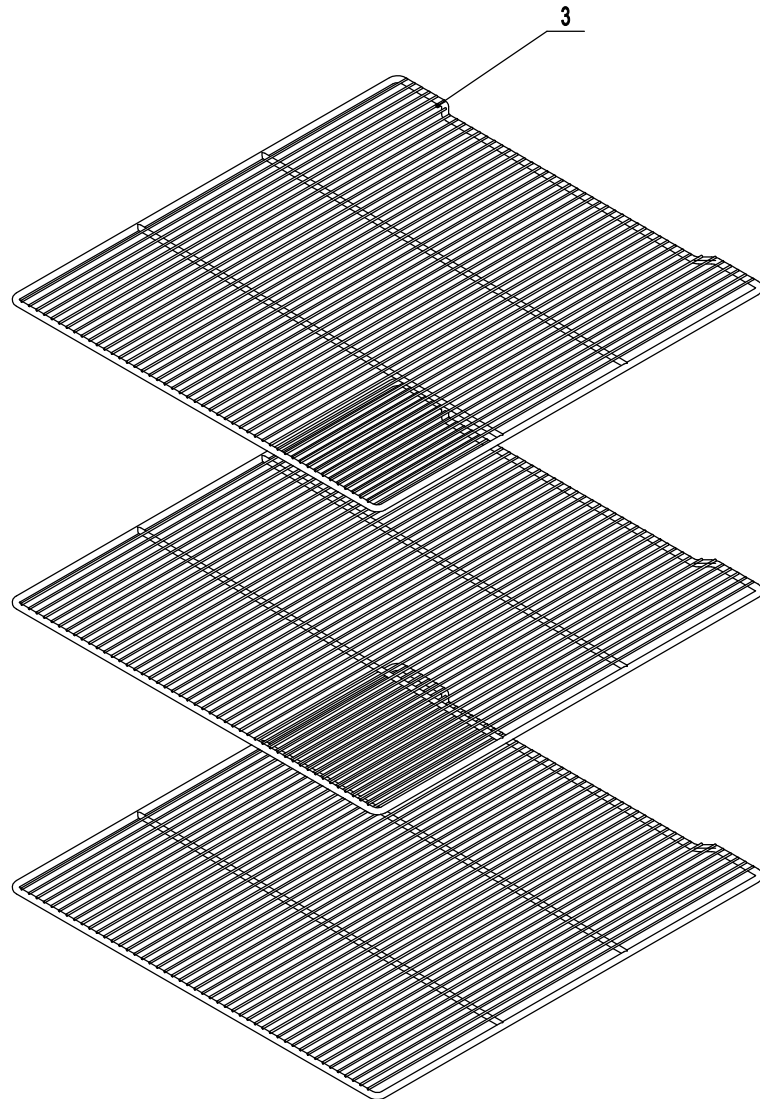
REV 09.2024



| | | | |
|-----|-----------|------------------------|-----|
| 6 | W0409865 | Plastic Cover | 1 |
| 5 | W04102045 | Left&Right Frame Cover | 2 |
| 4 | W04102044 | Top&Bottom Frame Cover | 2 |
| 3 | 80011811 | Top Long Reatiner Rack | 2 |
| 2 | 80011810 | Side Panel Frame | 4 |
| 1 | 80010935 | Top Side Panel | 2 |
| No. | Part # | Part Name | Qty |

8004GR-SA

REV 09.2024



| | | | |
|-----|----------|------------------------|-----|
| 3 | W0402389 | Shelf, 24 1/2 x 23 1/4 | 3 |
| 2 | 66490313 | Shelf Clip | 12 |
| 1 | 80037410 | Shelf Pilaster | 4 |
| No. | Part # | Part Name | Qty |