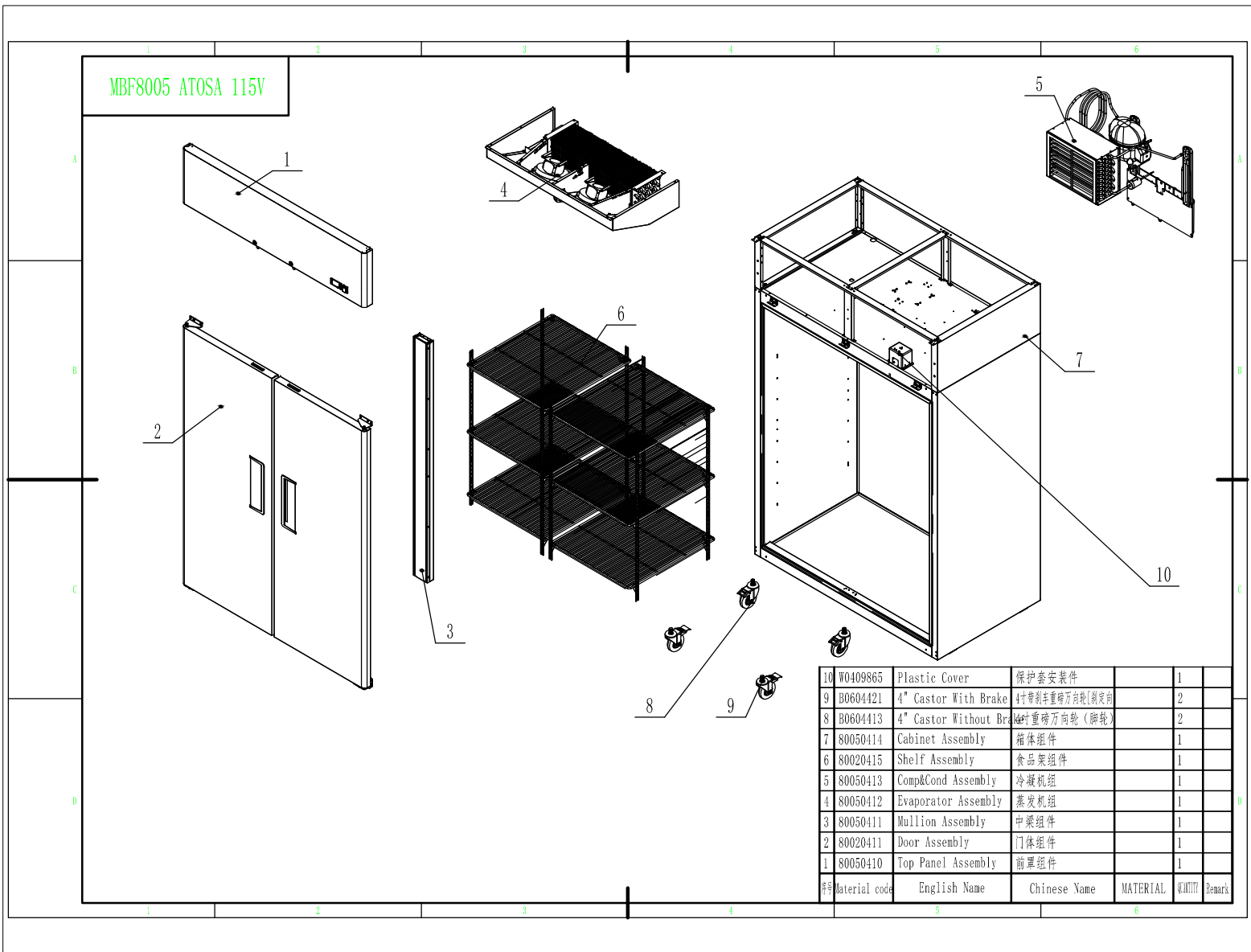
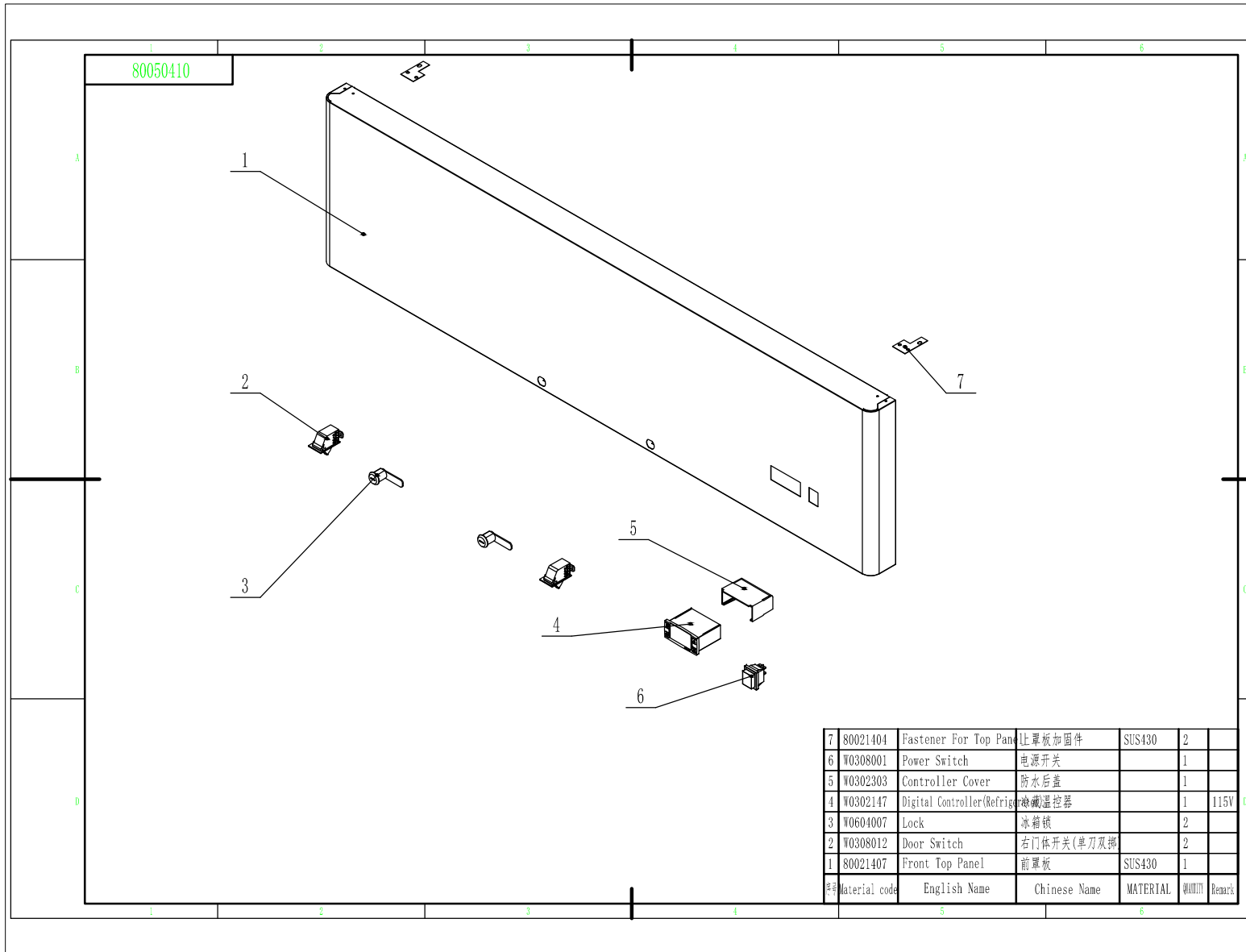


MBF8005 ATOSA 115V

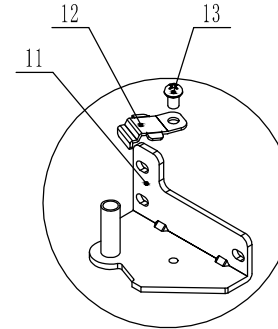
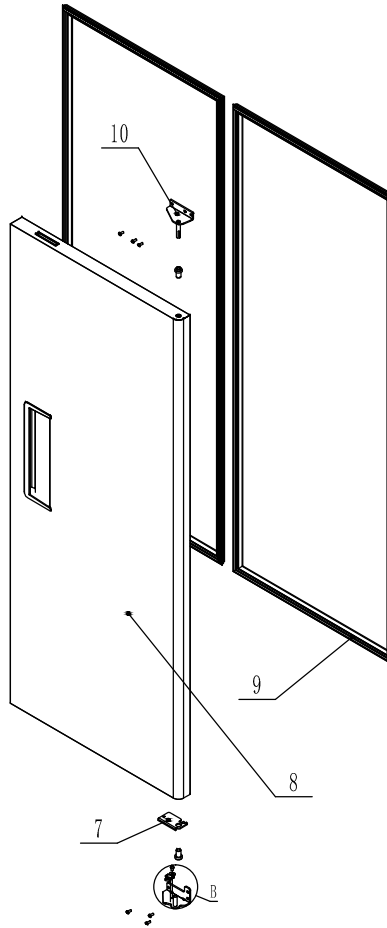
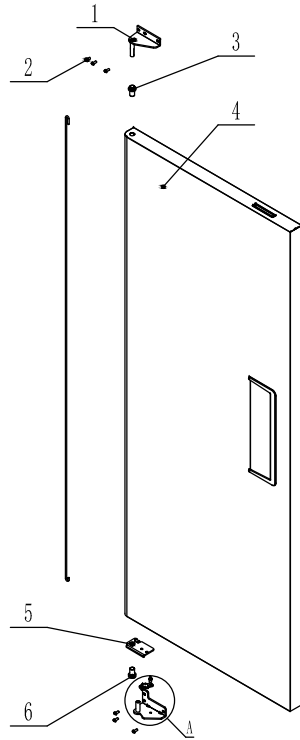


10	W0409865	Plastic Cover	保护套安装件		1	
9	B0604421	4" Castor With Brake	4寸带刹车重磅万向轮(刹定向)		2	
8	B0604413	4" Castor Without Brake	4寸重磅万向轮(脚轮)		2	
7	80050414	Cabinet Assembly	箱体组件		1	
6	80020415	Shelf Assembly	食品架组件		1	
5	80050413	Comp&Cond Assembly	冷藏机组		1	
4	80050412	Evaporator Assembly	蒸发器组		1	
3	80050411	Mullion Assembly	中梁组件		1	
2	80020411	Door Assembly	门体组件		1	
1	80050410	Top Panel Assembly	前罩组件		1	
材料	Material code	English Name	Chinese Name	MATERIAL	QTY	Remark

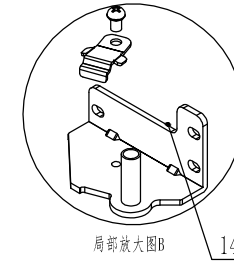


7	80021404	Fastener For Top Panel	上罩板加固件	SUS430	2	
6	W0308001	Power Switch	电源开关		1	
5	W0302303	Controller Cover	防水后盖		1	
4	W0302147	Digital Controller(Refrigerator)	冷藏温控器		1	115V
3	W0604007	Lock	冰箱锁		2	
2	W0308012	Door Switch	右门体开关(单刀双掷)		2	
1	80021407	Front Top Panel	前罩板	SUS430	1	
材料	Material code	English Name	Chinese Name	MATERIAL	数量	Remark

80020411

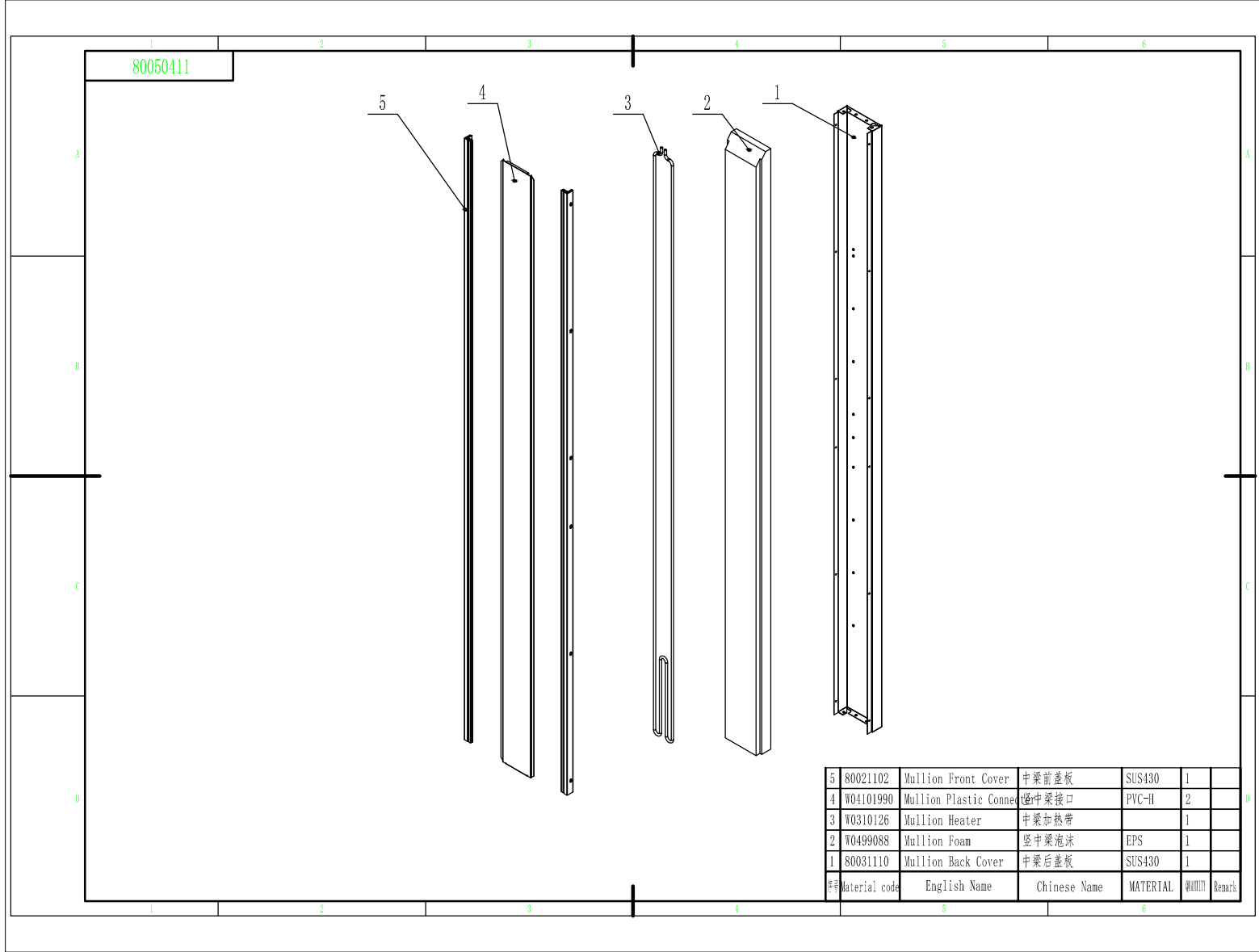


局部放大图A

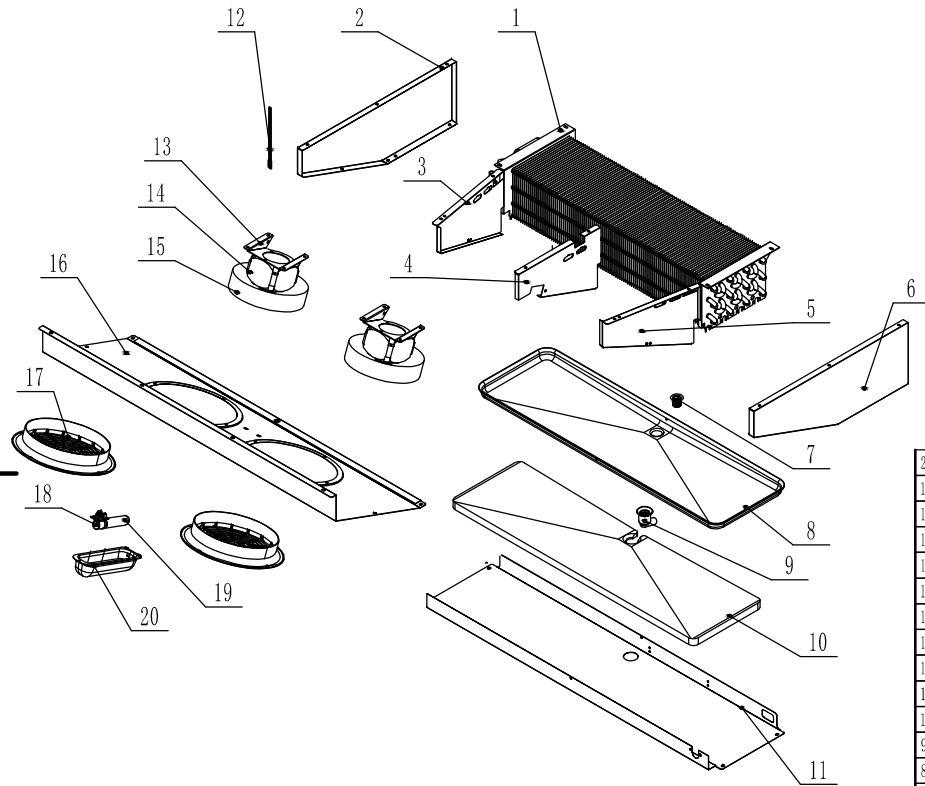


局部放大图B

15	W0604921	Door Spring Bar	门体发条		2	
14	W0604037	Right-Bottom Hinge	右下铰链	SUS304	1	
13	B0599270	SS Screw M6x8	M6x8不锈钢螺丝		2	
12	W0604038	Door Brake-Bottom	门自锁装置-下	SUS304	2	
11	W0604036	Left-Bottom Hinge	左下铰链	SUS304	1	
10	W0604033	Right-Top Hinge	右上铰链	SUS304	1	
9	W0404515	Door Gasket	门封条		2	
8	80020201	Right Door	右门体		1	
7	W0604030	Door Brake -Right	门自锁装置-右	SUS304	1	
6	W0409843	Door Shaft Sleeve-Bottom	门体轴套	PA66	2	
5	W0604031	Door Brake -Left	门自锁装置-左	SUS304	1	
4	80020202	Left Door	左门体		1	
3	W0409842	Door Shaft Sleeve-Top	门体轴套	PA66	2	
2	B0502207	SS Screw M5x12	M5x12不锈钢螺丝		12	
1	W0604032	Left-Top Hinge	左上铰链	SUS304	1	
材料	Material code	English Name	Chinese Name	MATERIAL	数量	Remark

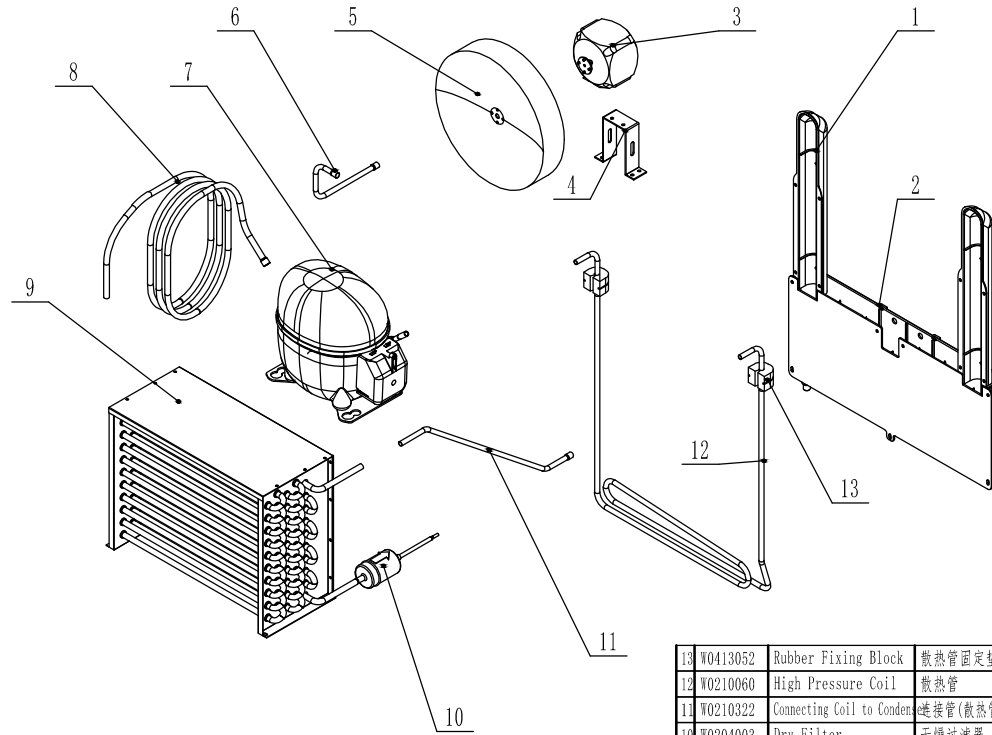


80050412



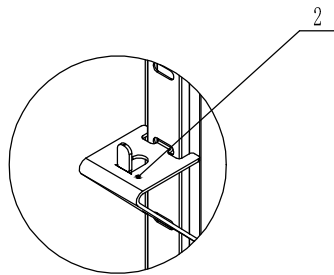
20	W0409863	Lamp Cover	灯罩	PC1302	1	
19	W0304512	Lamp Socket	灯座		1	
18	W0304508	Lamp	灯座		1	
17	W0409864	Evap Fan Motor Cover	蒸发风机罩	ABS	2	
16	80021202	Evap Front Cover	蒸发前盖板	SUS430	1	
15	W0301059	Room Temp Probe	蒸发风叶	AL/φ172	2	
14	W0301904	Evap Fan Blade	蒸发风机		2	
13	80021501	Evap Fan Motor	蒸发风机支架	SUS304	2	
12	W0302304	Evap Fan Bracket	感温探头		1	
11	80021201	Drain Pan Cover	蒸发后盖板	SUS430	1	
10	W0803012	Drain Pan Foam	接水盘泡沫	EPS	1	
9	W0409858	Drain Hose Connector	排水管连接器A	PA66	1	
8	80022003	Drain Pan	铝制接水盘	AL	1	
7	W0409859	Drain Hose Connector	排水管连接器B	PA66	1	
6	80021206	Evap Right Cover	蒸发右挡板	SUS430	1	
5	80021204	Right Air Lane Cover	蒸发空气右挡板	SUS430	1	
4	80021205	Middle Air Lane Cover	蒸发空气中挡板	SUS430	1	
3	80021203	Left Air Lane Cover	蒸发空气左挡板	SUS430	1	
2	80021206	Evap Left Cover	蒸发左挡板	SUS430	1	
1	W0202118	Evaporator	蒸发器	AL TP2-M	1	
料号	Material code	English Name	Chinese Name	MATERIAL	数量	Remark

80050413

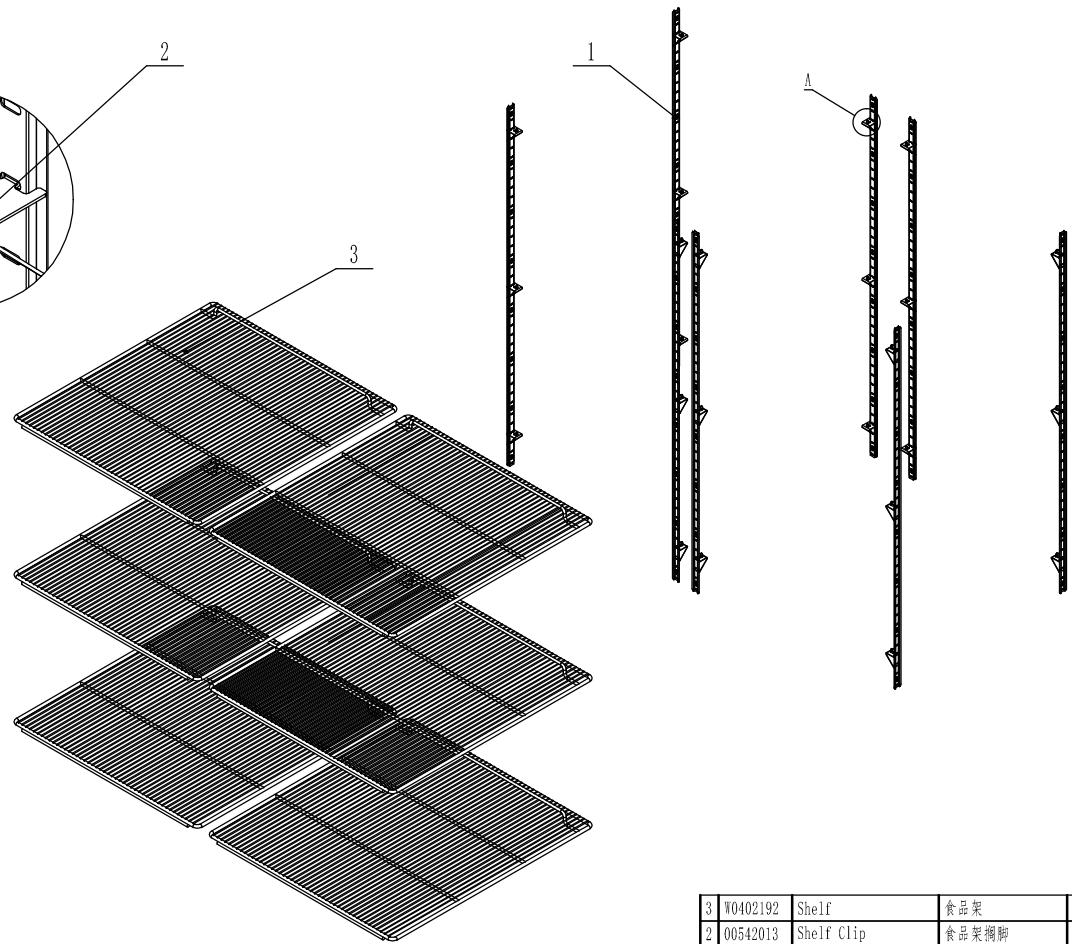


13	W0413052	Rubber Fixing Block	散热管固定垫	RUBBER(橡胶)	2	
12	W0210060	High Pressure Coil	散热管	TP2-M	1	
11	W0210322	Connecting Coil to Condenser	连接管(散热管-冷凝器)	TP2-M	1	
10	W0204003	Dry Filter	干燥过滤器		1	
9	W0203235	Condenser	冷凝器	G1 TP2-M	1	
8	W0210354	Low Pressure Coil Back to Condenser	回气管(A)	TP2-M	1	
7	W0201824	Compressor	压缩机		1	
6	W0210326	Connecting Coil from Compressor	连接管(压缩机与散热管)	TP2-M	1	
5	W0301061	Condenser Fan Bracket	冷凝风机	AL/φ230	1	
4	80031601	Condenser Fan Blade	冷凝风机支架	G1	1	
3	W0301905	Condenser Fan Motor	冷凝风机		1	
2	W0409849	Back High Pressure Coil Cover	后背蒸发器包	PP	1	
1	W0409851	Back High Pressure Coil Cover	蒸发器护罩	PP	2	
材料	Material code	English Name	Chinese Name	MATERIAL	数量	Remark

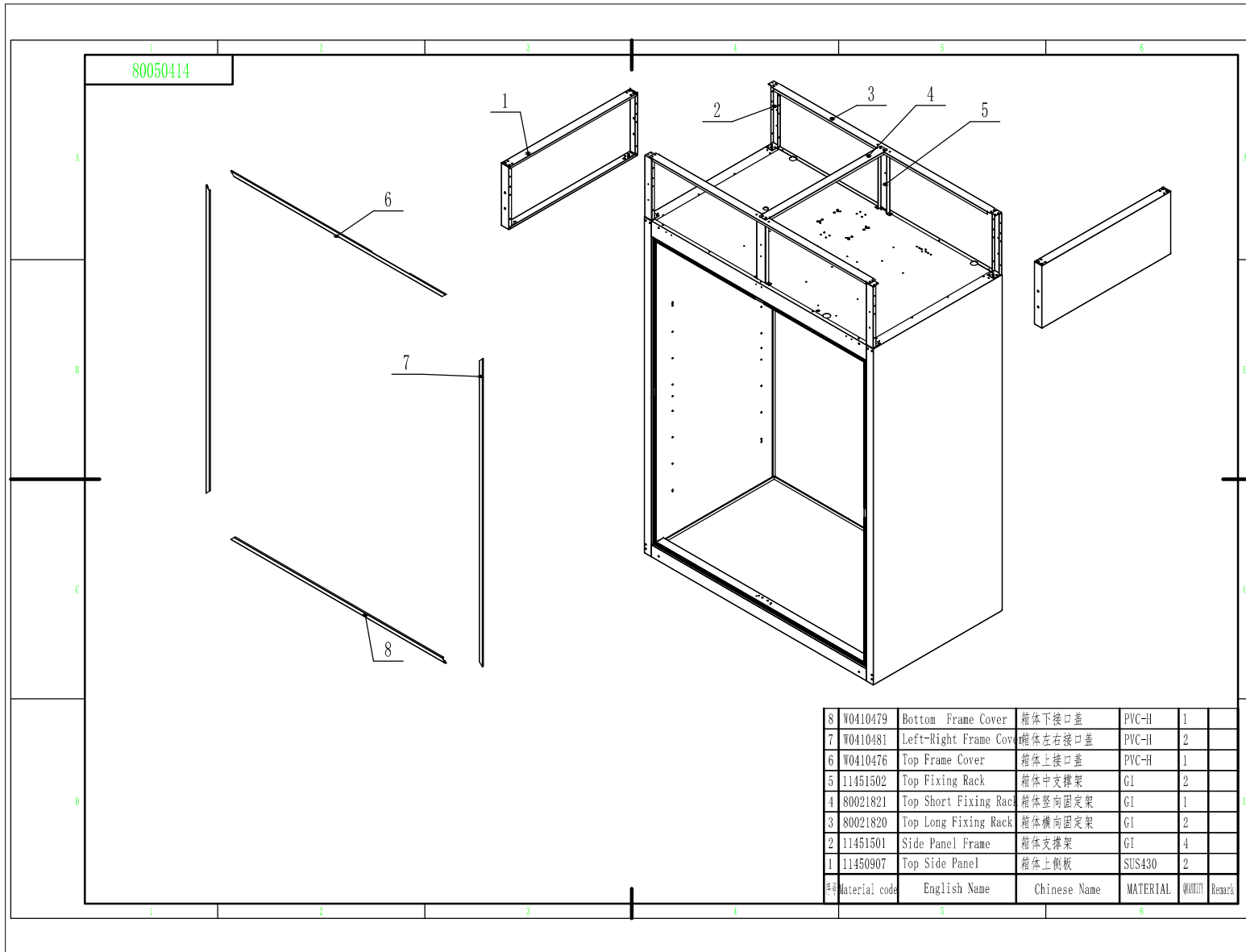
80020415



局部放大图A



3	W0402192	Shelf	食品架		6	
2	00542013	Shelf Clip	食品架搁脚	SUS430	24	
1	80037410	Pilaster For Shelf	食品架隔条	SUS430	8	
料号	Material code	English Name	Chinese Name	MATERIAL	数量	Remark



80050414

8	W0410479	Bottom Frame Cover	箱体下接口盖	PVC-H	1	
7	W0410481	Left-Right Frame Cov	箱体左右接口盖	PVC-H	2	
6	W0410476	Top Frame Cover	箱体上接口盖	PVC-H	1	
5	11451502	Top Fixing Rack	箱体中支撑架	GI	2	
4	80021821	Top Short Fixing Rack	箱体竖向固定架	GI	1	
3	80021820	Top Long Fixing Rack	箱体横向固定架	GI	2	
2	11451501	Side Panel Frame	箱体支撑架	GI	4	
1	11450907	Top Side Panel	箱体上侧板	SUS430	2	
料号	Material code	English Name	Chinese Name	MATERIAL	数量	Remark