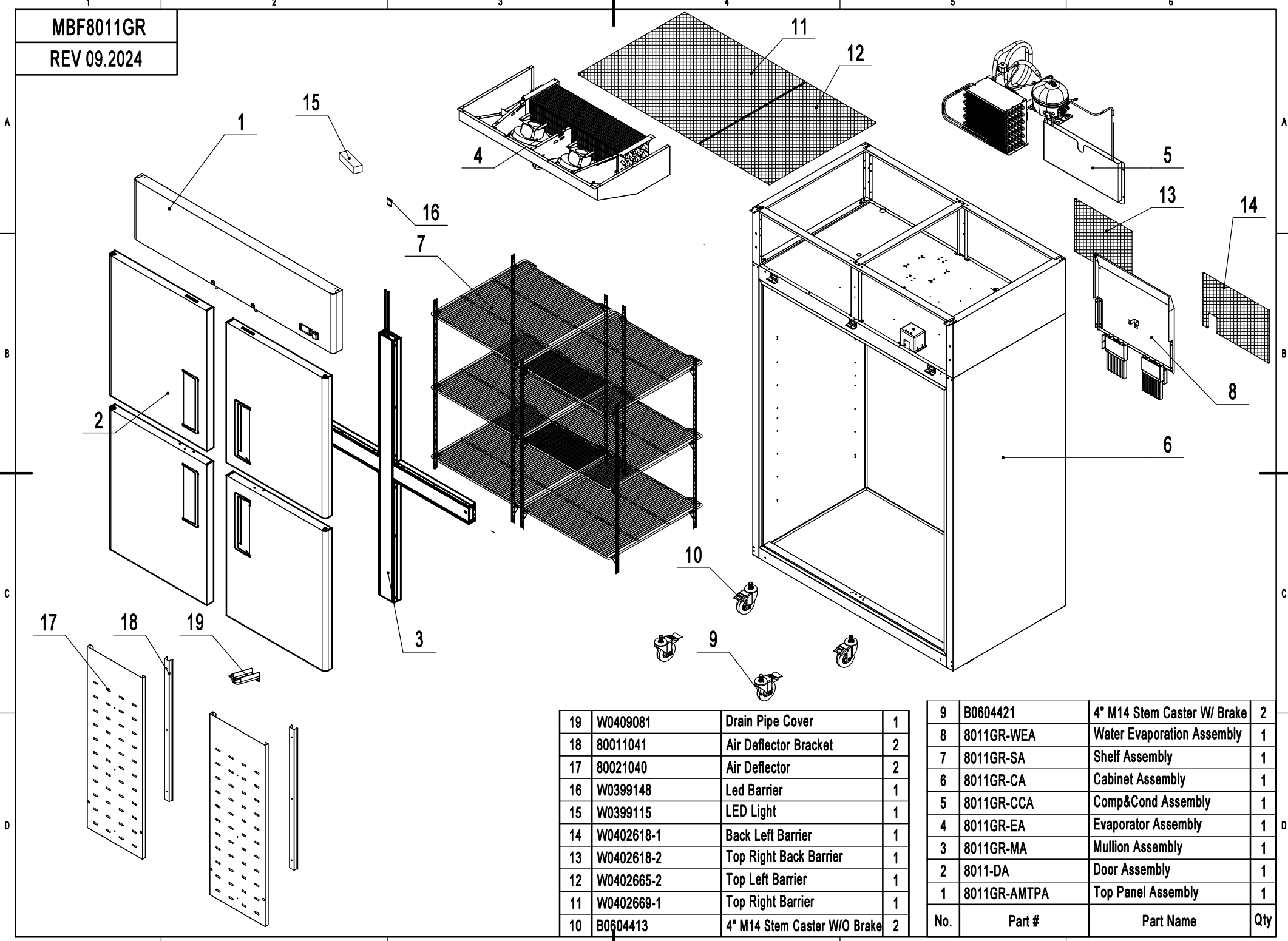


MBF8011GR

REV 09.2024

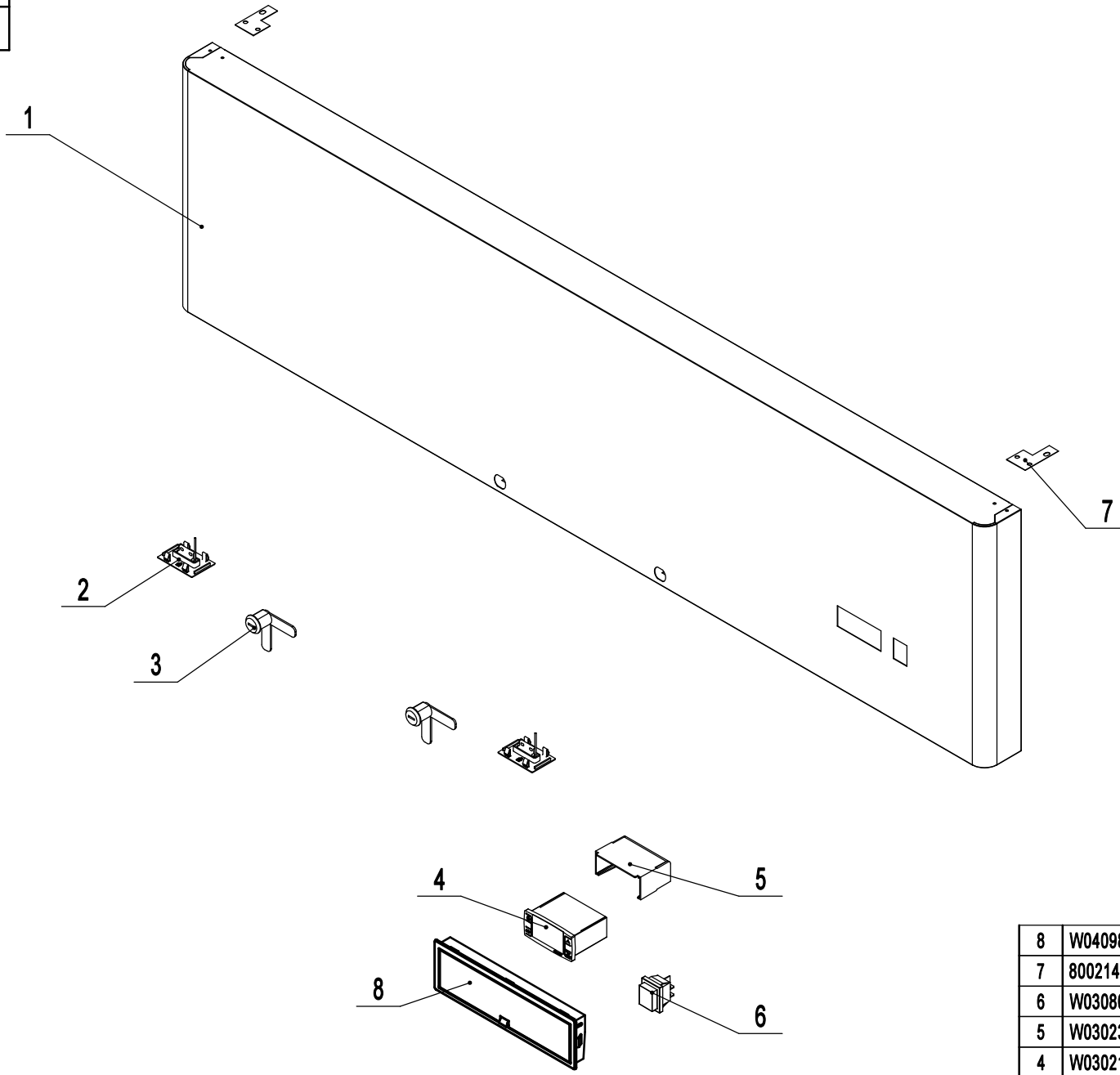


19	W0409081	Drain Pipe Cover	1
18	80011041	Air Deflector Bracket	2
17	80021040	Air Deflector	2
16	W0399148	Led Barrier	1
15	W0399115	LED Light	1
14	W0402618-1	Back Left Barrier	1
13	W0402618-2	Top Right Back Barrier	1
12	W0402665-2	Top Left Barrier	1
11	W0402669-1	Top Right Barrier	1
10	B0604413	4" M14 Stem Caster W/O Brake	2

9	B0604421	4" M14 Stem Caster W/ Brake	2
8	8011GR-WEA	Water Evaporation Assembly	1
7	8011GR-SA	Shelf Assembly	1
6	8011GR-CA	Cabinet Assembly	1
5	8011GR-CCA	Comp&Cond Assembly	1
4	8011GR-EA	Evaporator Assembly	1
3	8011GR-MA	Mullion Assembly	1
2	8011-DA	Door Assembly	1
1	8011GR-AMTPA	Top Panel Assembly	1
No.	Part #	Part Name	Qty

8011GR-AMTPA

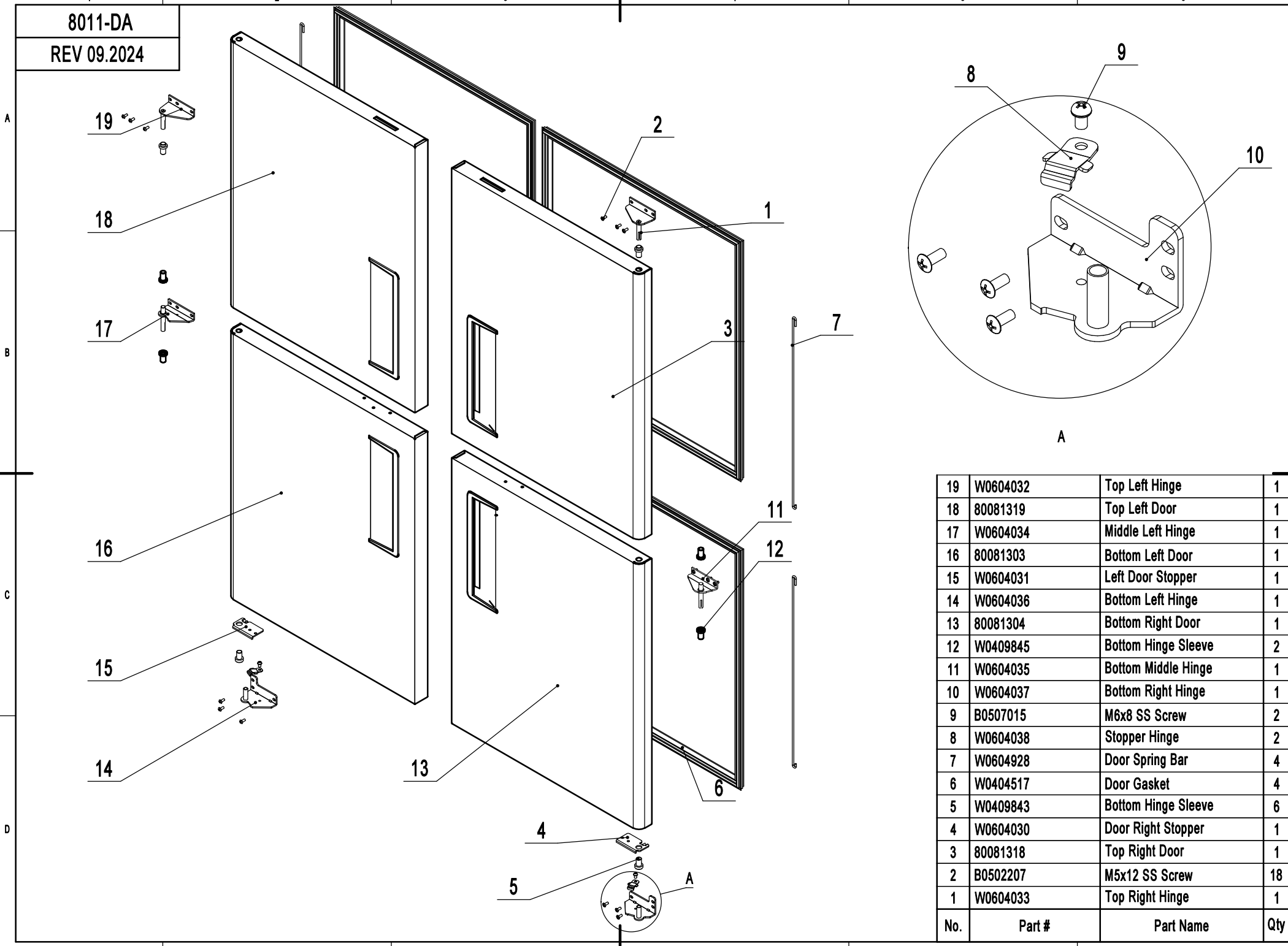
REV 09.2024



8	W0409887	Controller Cover	1
7	80021404	Top Panel Corner Brace	2
6	W0308019	Power Switch	1
5	W0302303	Controller Cover	1
4	W0302175	Digital Controller	1
3	W0604007	Lock&Key	2
2	W0409161	Grey Panel Magnetic Switch	2
1	81141445-430	Top Panel W/ Magnetic Switch	1
No.	Part #	Part Name	Qty

8011-DA

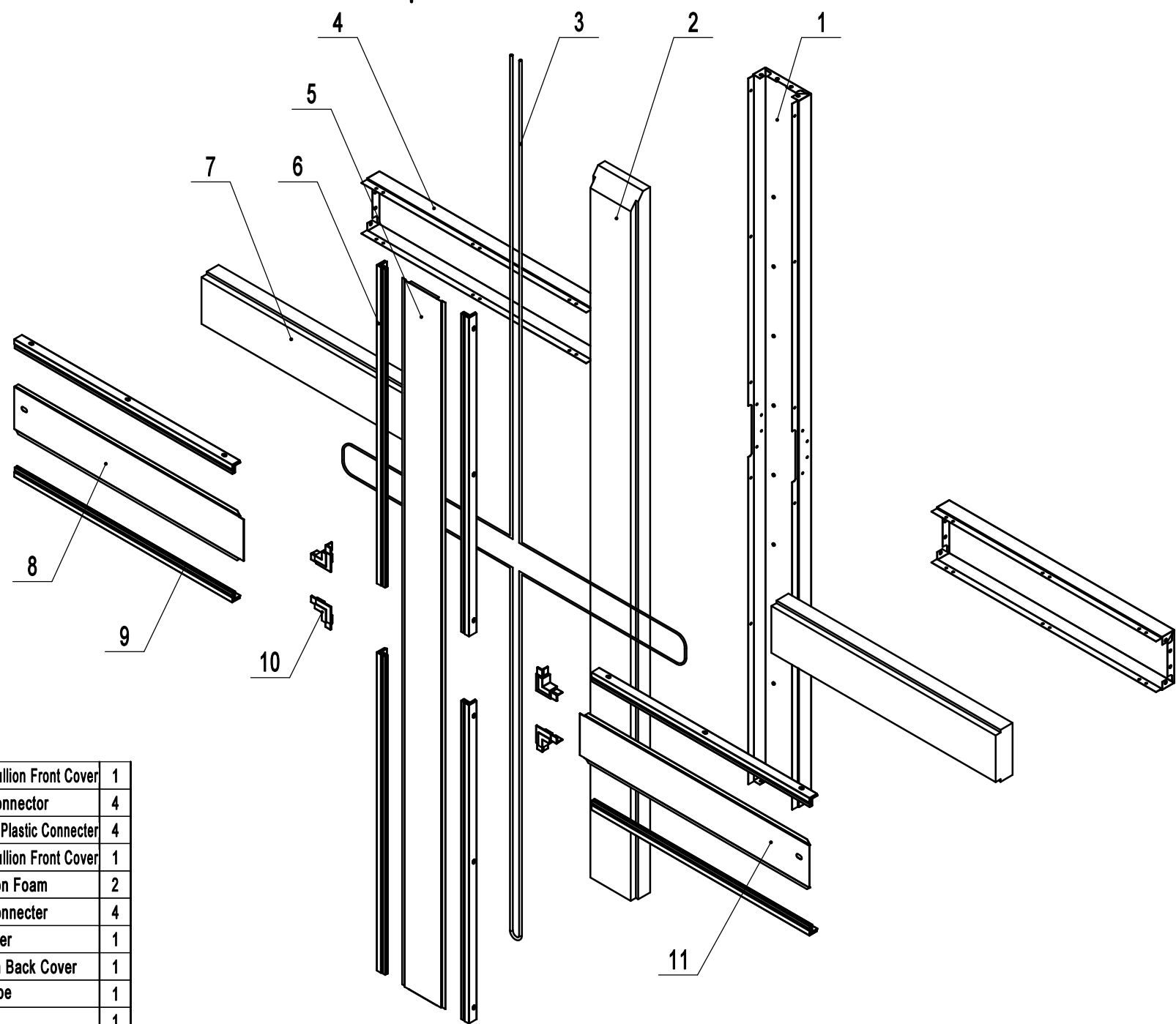
REV 09.2024



19	W0604032	Top Left Hinge	1
18	80081319	Top Left Door	1
17	W0604034	Middle Left Hinge	1
16	80081303	Bottom Left Door	1
15	W0604031	Left Door Stopper	1
14	W0604036	Bottom Left Hinge	1
13	80081304	Bottom Right Door	1
12	W0409845	Bottom Hinge Sleeve	2
11	W0604035	Bottom Middle Hinge	1
10	W0604037	Bottom Right Hinge	1
9	B0507015	M6x8 SS Screw	2
8	W0604038	Stopper Hinge	2
7	W0604928	Door Spring Bar	4
6	W0404517	Door Gasket	4
5	W0409843	Bottom Hinge Sleeve	6
4	W0604030	Door Right Stopper	1
3	80081318	Top Right Door	1
2	B0502207	M5x12 SS Screw	18
1	W0604033	Top Right Hinge	1
No.	Part #	Part Name	Qty

8011-MA

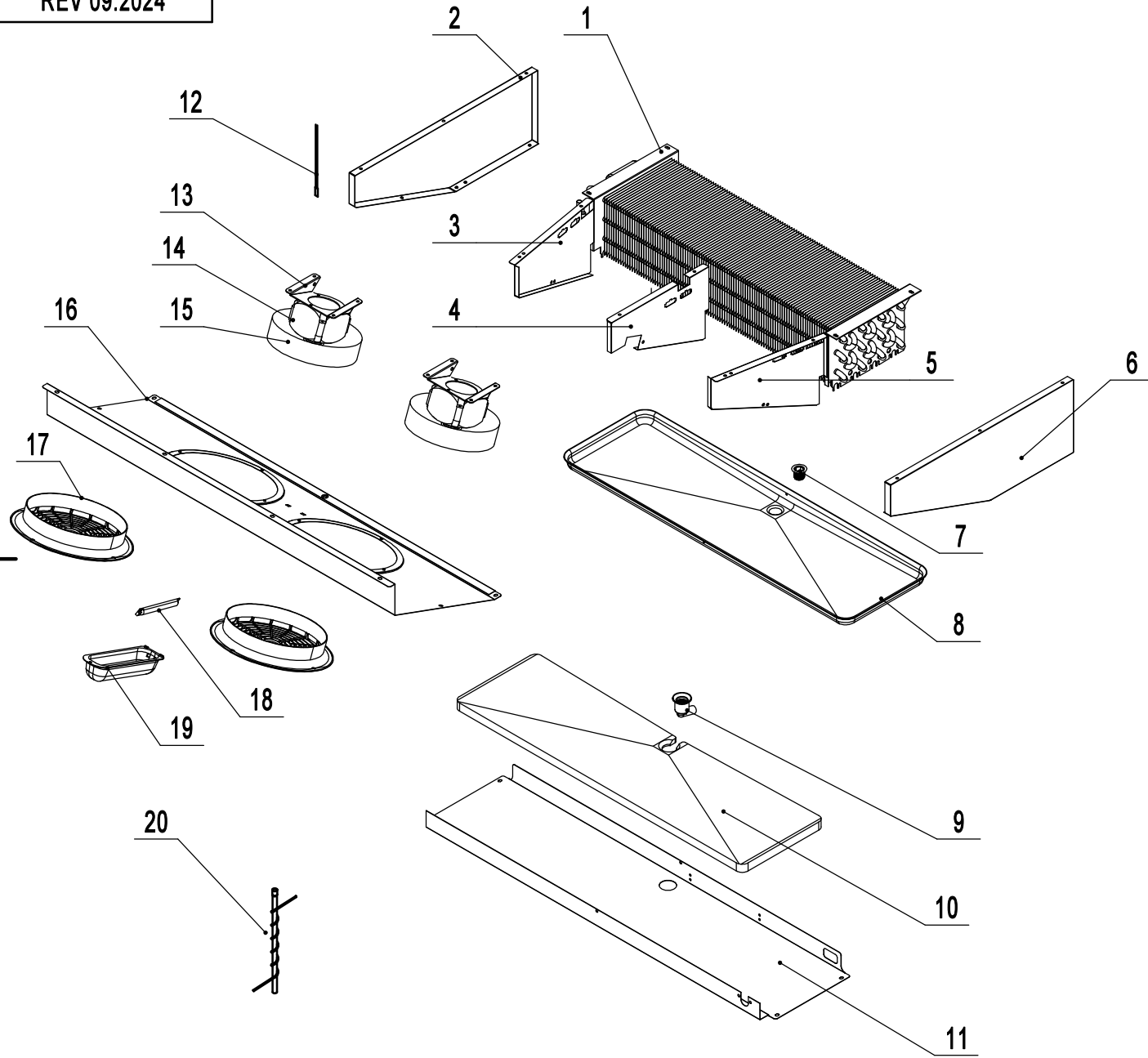
REV 09.2024



11	80081105	Left Horizontal Mullion Front Cover	1
10	W0409326	Mullion Corner Connector	4
9	W04101996	Honrizontal Mullion Plastic Connector	4
8	80081104	Left Honrizontal Mullion Front Cover	1
7	W0499093	Honrizontal Mullion Foam	2
6	W04101994	Mullion Plastic Connector	4
5	80021102	Mullion Front Cover	1
4	80091112	Horizontal Mullion Back Cover	1
3	W02100010	Mullion Heater Pipe	1
2	W0499088	Mullion Foam	1
1	80091110	Mullion Back Cover	1
No.	Part #	Part Name	Qty

8011GR-EA

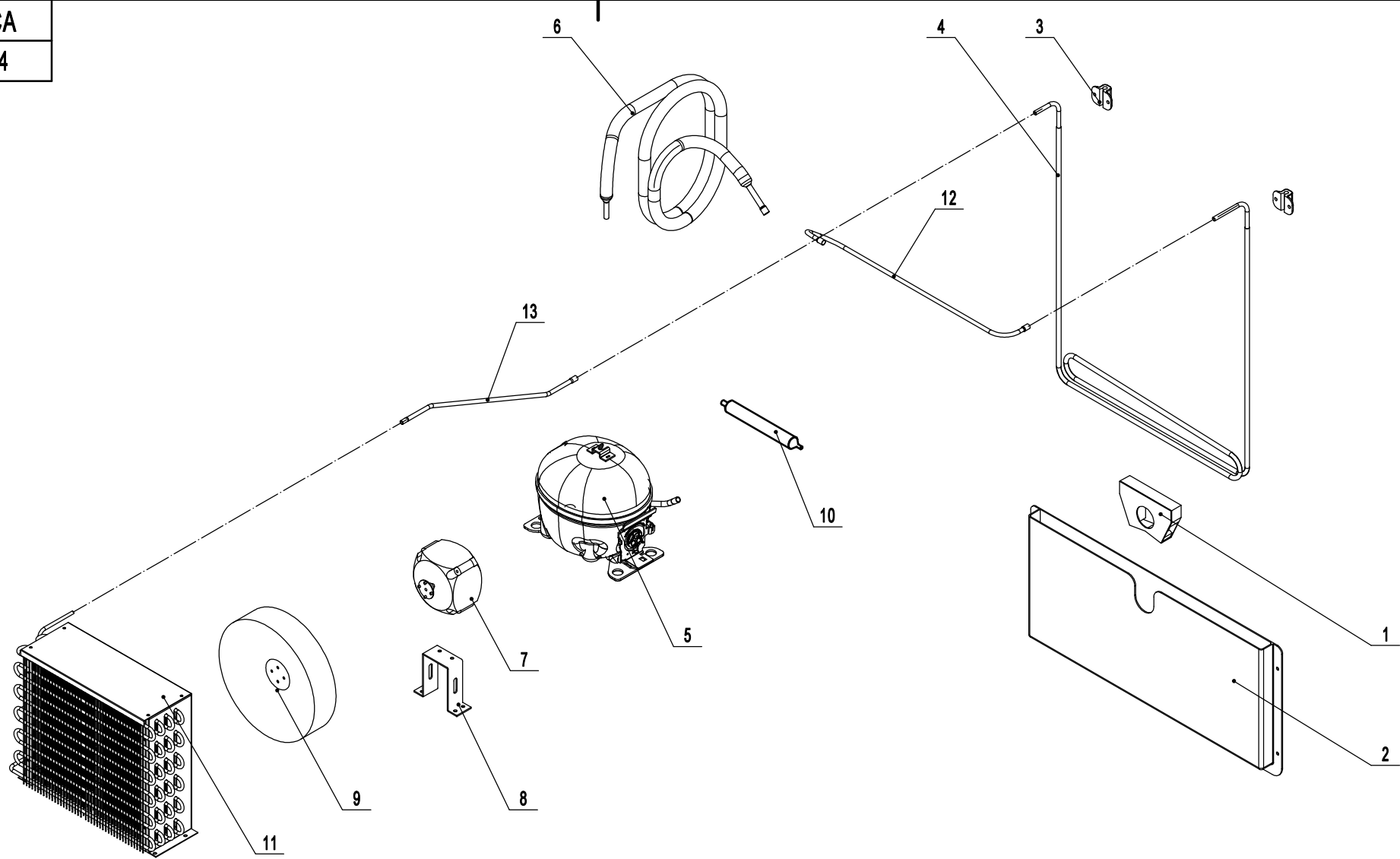
REV 09.2024



20	W0210415	Suction Tube B	1
19	W0409863	Light Cover	1
18	W0304086	LED Light	1
17	W0409080	Evap Fan Shroud	2
16	8114120201	Evap Front Cover	1
15	W0301059	Evap Fan Blade	2
14	W0301904-1	Evap Fan Motor	2
13	80021501	Evap Fan Bracket	2
12	W0302316	Room Temp White Probe	1
11	8114120101	Drain Pan Cover	1
10	W0803012	Drain Pan Foam	1
9	W0409858	Evap Drian Pan Connector Elbow	1
8	80022003	Drain Pan	1
7	W0409859	Evap Drain Pan Screw Connector	1
6	80021207	Evap Right Baffle	1
5	80021204	Right Evap Air Baffle	1
4	80021205	Middle Evap Air Baffle	1
3	80021203	Left Evap Air Baffle	1
2	80021206	Left Evap Baffle	1
1	W0202118	Evaporator	1
No.	Part #	Part Name	Qty

8011GR-CCA

REV 09.2024

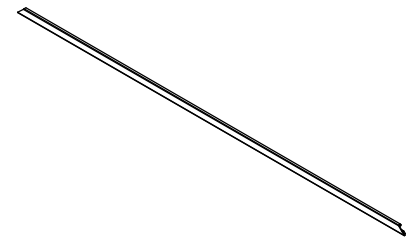
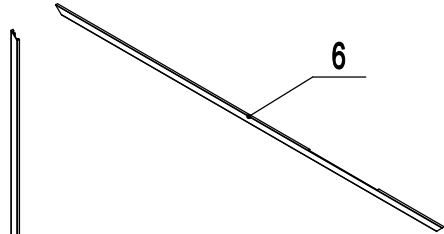
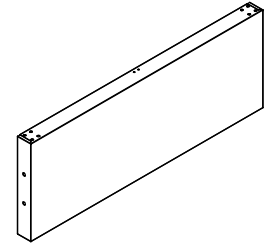
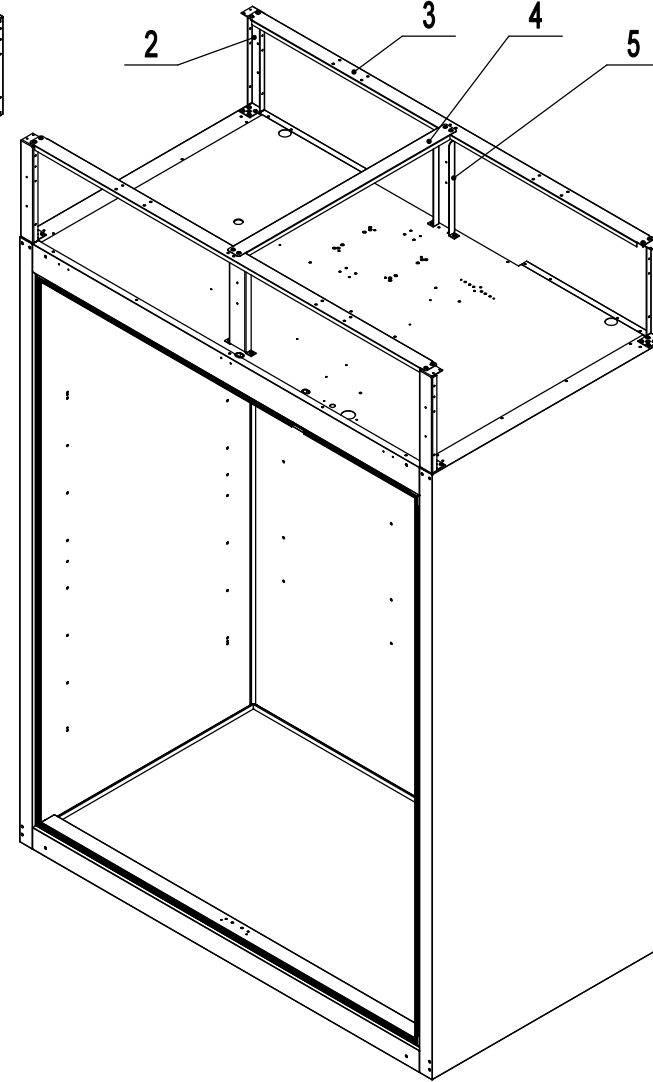
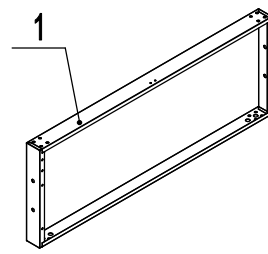


13	W0210458	Discharge Tube To Tee	1
12	W0210416	Discharge Tube From Comp	1
11	W0203072	Condenser	1
10	W0204101	Filter Drier	1
9	W0301061	Condenser Fan Blade	1
8	80061601	Condenser Fan Bracket	1
7	W0301915	Condenser Fan Motor	1

6	W0210534	Suction Tube A	1
5	W0201042	Compressor	1
4	W0210413	Discharge Tube	1
3	W0413062	Discharge Tube Retainer Pad	2
2	W0409071	Condenser Drain Pan	1
1	W0409078	Air Pressure Relief Valve	1
No.	Part #	Part Name	Qty

8011GR-CA

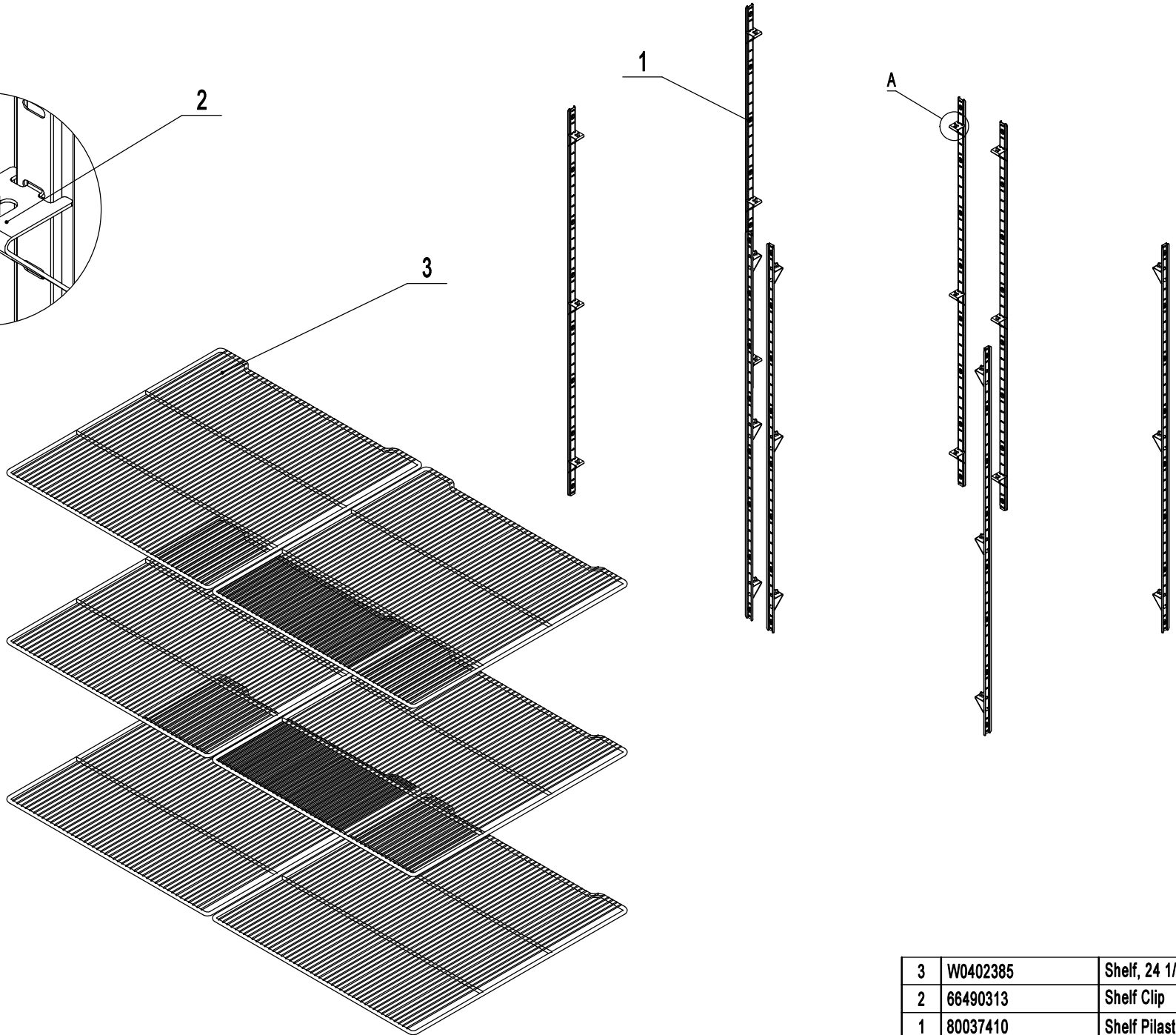
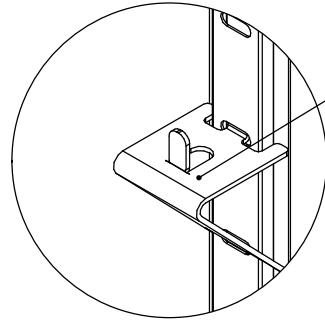
REV 09.2024



7	W04102045	Left&Right Frame Cover	2
6	W04102056	Top&Bottom Frame Cover	2
5	80021825	Top Middle Reatiner Rack	2
4	80021827	Top Short Reatiner Rack	1
3	80021826	Top Long Reatiner Rack	2
2	80011810	Side Panel Frame	4
1	80010935-430	Top Side Panel	2
No.	Part #	Part Name	Qty

8011GR-SA

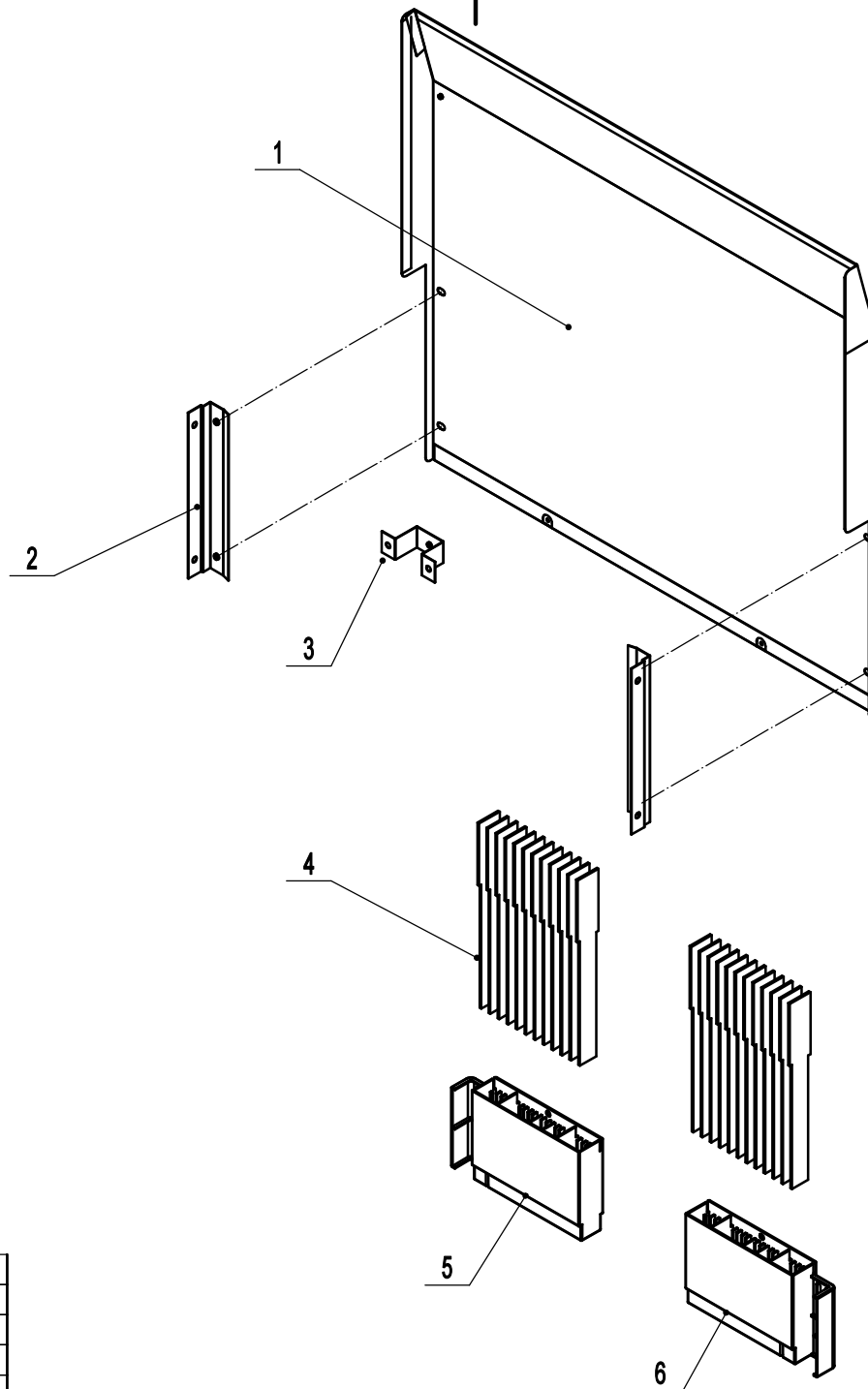
REV 09.2024



3	W0402385	Shelf, 24 1/2 x 24 1/2	6
2	66490313	Shelf Clip	24
1	80037410	Shelf Pilaster	8
No.	Part #	Part Name	Qty

8011-WEA

REV 09.2024



6	W0409087	Right Bracket For Wicking Paper	1
5	W0409086	Left Bracket For Wicking Paper	1
4	W0499920	Wicking Paper	24
3	80011814	Air Deflector Middle Retainer Plate	1
2	80011813	Air Deflector Side Retainer Plate	2
1	80010941	Air Deflector	1
No.	Part #	Part Name	Qty