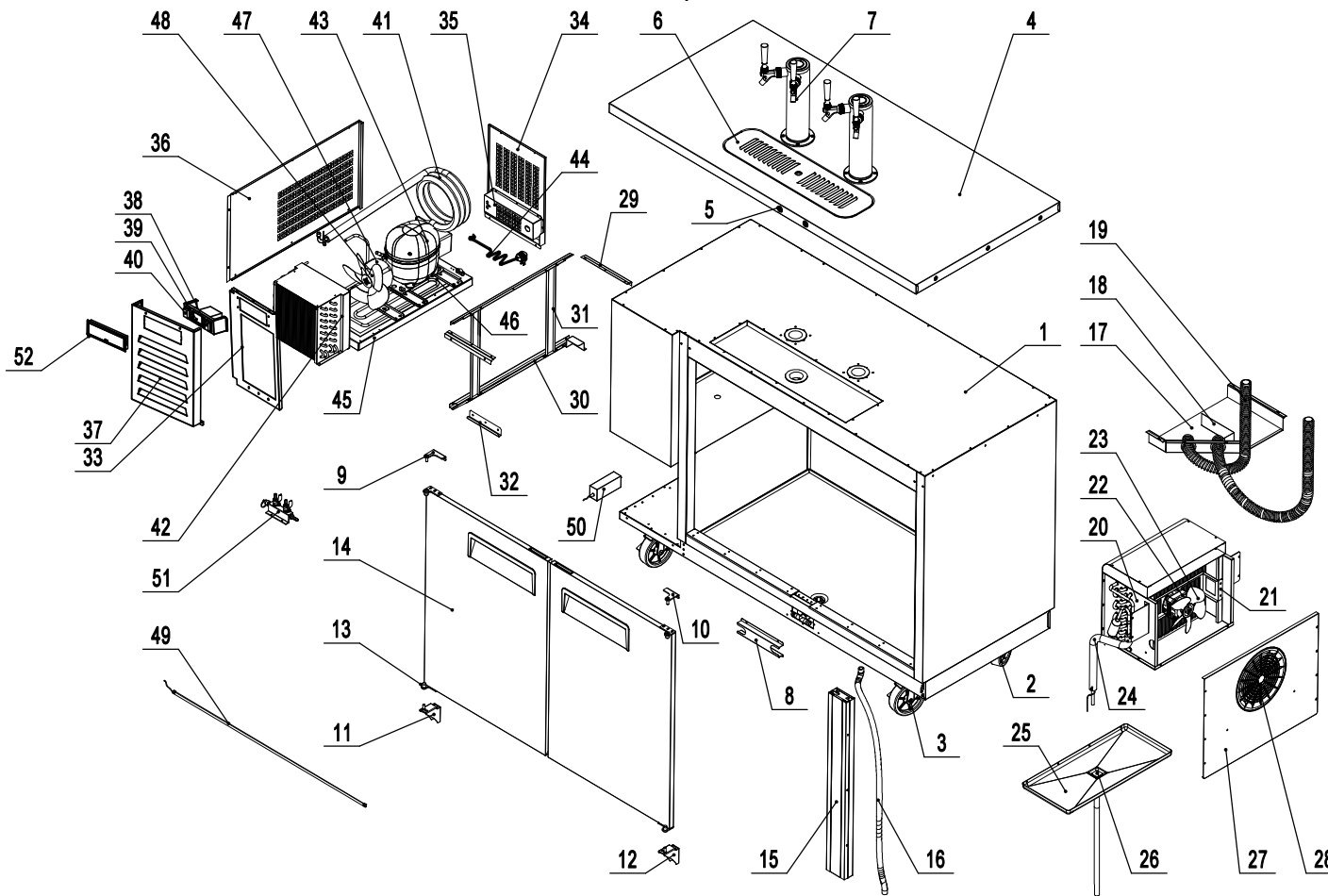


MKC58GR

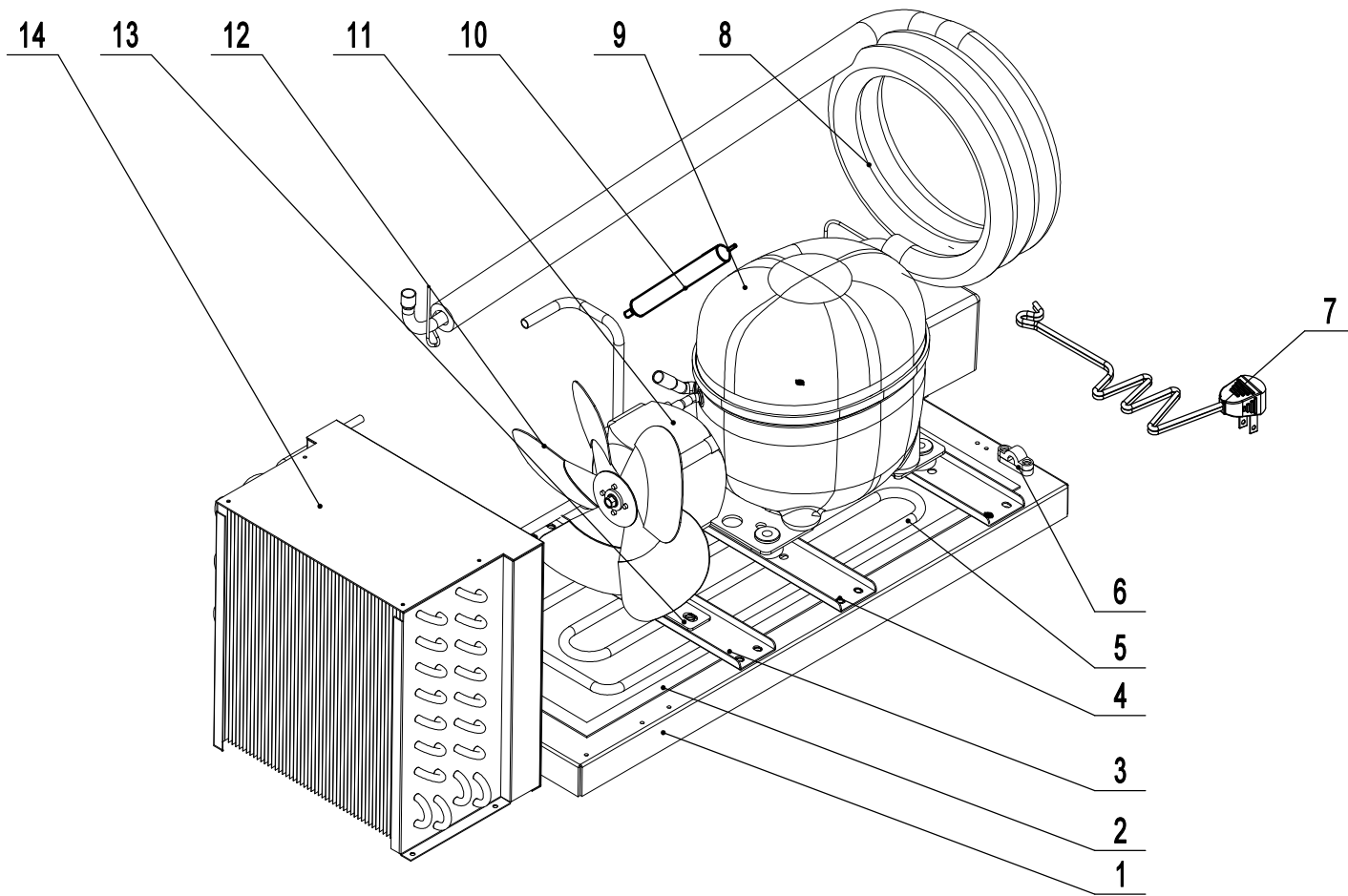
REV 11.2024



No.	Part #	Part Name	Qty	No.	Part #	Part Name	Qty	No.	Part #	Part Name	Qty
1	N/A	Cabinet Assembly	1	18	MKC58-0806	Stack Duct Assembly	1	36	MKC58-0702	Left Air Vent Cover	1
2	B0604401	2" Plate Caster W/O Brake	2	19	W0408942	PUR Tube	2	37	MKC58-0715	Front Air Vent Cover	1
3	B0604402	2" Plate Caster W/ Brake	2	20	W0202061	Evaporator	1	38	W0308022	LED Power Switch	1
4	MKC58-0301	Counter Top Assembly	1	21	MKC58-0812	Evap Fan Bracket	1	39	W0302174-FR6A6M10	Digital Controller	1
5	W0604007	Lock&Key	2	22	W0301904-1	Evap Fan Motor	1	40	W0308019	Power Switch	1
6	MKC58-0303	Sink	1	23	W0301059	Evap Fan Blade	1	41	W0210442	Suction Tube	1
7	W0699063	Faucet	2	24	W0210443	Evap Coil	1	42	W0203065	Condenser	1
8	MKC58-0705	Tee Drain Pipe Cover	1	25	W0411093	Evap Drain Pan	1	43	W0201041	Compressor	1
9	W0604200	Top Left Hinge	1	26	W0409100	Drain Pipe	1	44	W0305134	Power Cord	1
10	W0604201	Top Right Hinge	1	27	MKC58-0807	Evap Cover	1	45	MKC58-0801	Condensing Unit Base Board	1
11	W0604202	Bottom Left Hinge	1	28	W0409080	Evap Fan Shroud	1	46	W0210440	Condenser Coil	1
12	W0604203	Bottom Right Hinge	1	29	MKC58-0706	Front Air Vent Frame Support	2	47	W0301905-1	Condenser Fan Motor	1
13	W0409900	Door Shaft Sleeve	4	30	MKC58-0707	Left Air Vent Frame Support	2	48	W0301060	Condenser Fan Blade	1
14	MBB0059201000	Left Door	1	31	MKC58-0708	Unit Frame Support	2	49	W0304082	LED Light	1
15	MBB0059201020	Right Door	1	32	MKC58-0709	Unit Front Cover Fastner	1	50	W0399115	Power Supply/Transformer	1
16	MKC0058202000	Mullion	1	33	MKC58-0714	Condenser Air Baffle	1	51	W0699062	CO2 Distributor	1
17	W0408940	PVC Tube	1	34	MKC58-0703	Back Air Vent Cover	1	52	W0409887	Controller Cover	1
18	MKC58-0805	Stack Duct	1	35	MKC58-0704	Power Cord Box	1				

MKC58GR-CCA

REV 11.2024



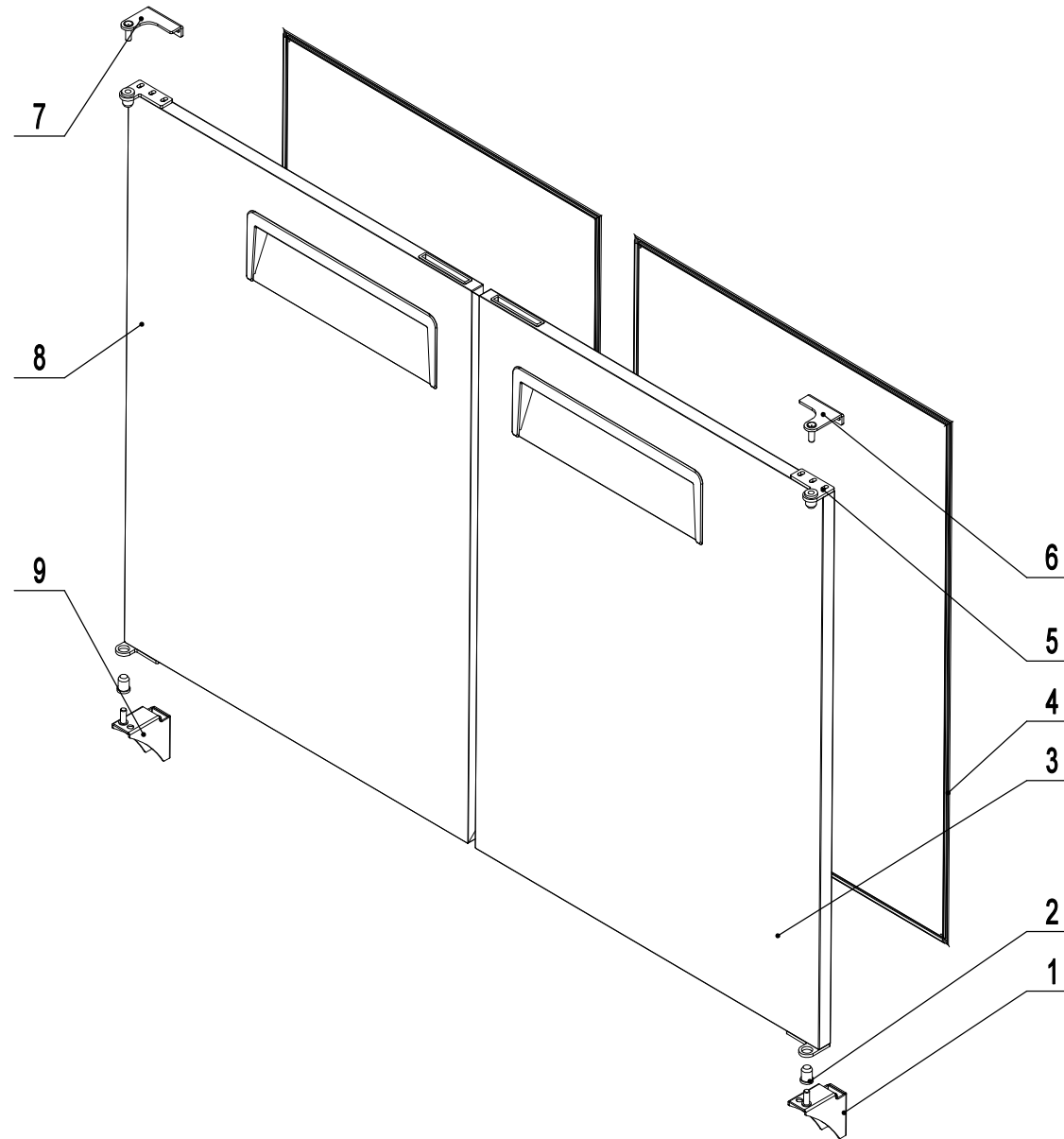
14	R02005000014	Condenser	1
13	R06099000057	Fan Motor Bracket	1
12	R03000000013	Condenser Fan Blade	1
11	R03001000100	Condenser Fan Motor	1
10	R02014000002	Filter Drier	1
9	R02000000006	Compressor	1
8	R02015000137	Suction Tube	1
7	R03005000012	Power Cord	1

6	R04011000132	Power Cord Fastner	1
5	R02015000135	Condenser Coils	1
4	MKC0058103002430	Compressor Fastner	2
3	MKC0058106017430	Condenser Fan Motor Fastner	1
2	R04013000002	Drain Pan	1
1	MKC0058113003500	Condensing Unit Base Board	1

No.	Part #	Part Name	Qty
-----	--------	-----------	-----

MKC58GR-DA

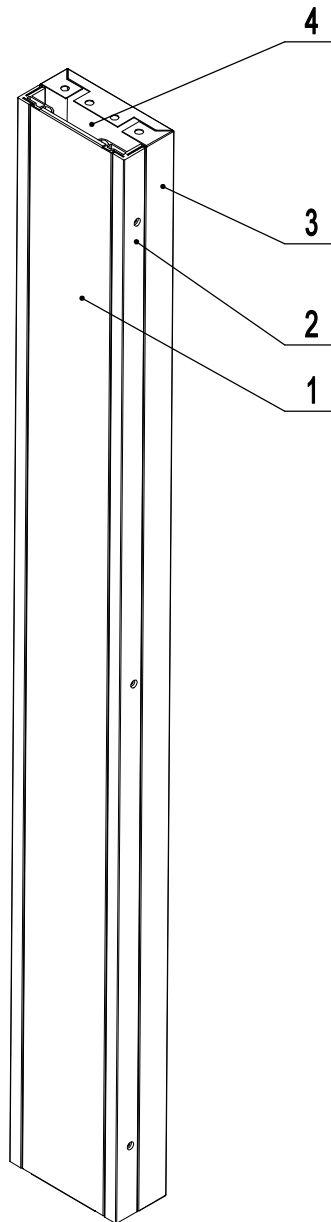
REV 11.2024



9	R06007000077	Bottom Left Hinge	1
8	MBB0059201001	Left Door	1
7	R06007000075	Top Left Hinge	1
6	R06007000076	Top Right Hinge	1
5	R06007000079	Top Door Hinge Fastner	4
4	R04003000037	Door Gasket	2
3	MBB0059221000	Right Door	1
2	R04011000112	Door Shaft Sleeve	4
1	R06007000078	Bottom Right Hinge	1
No.	Part #	Part Name	Qty

MKC58GR-MA

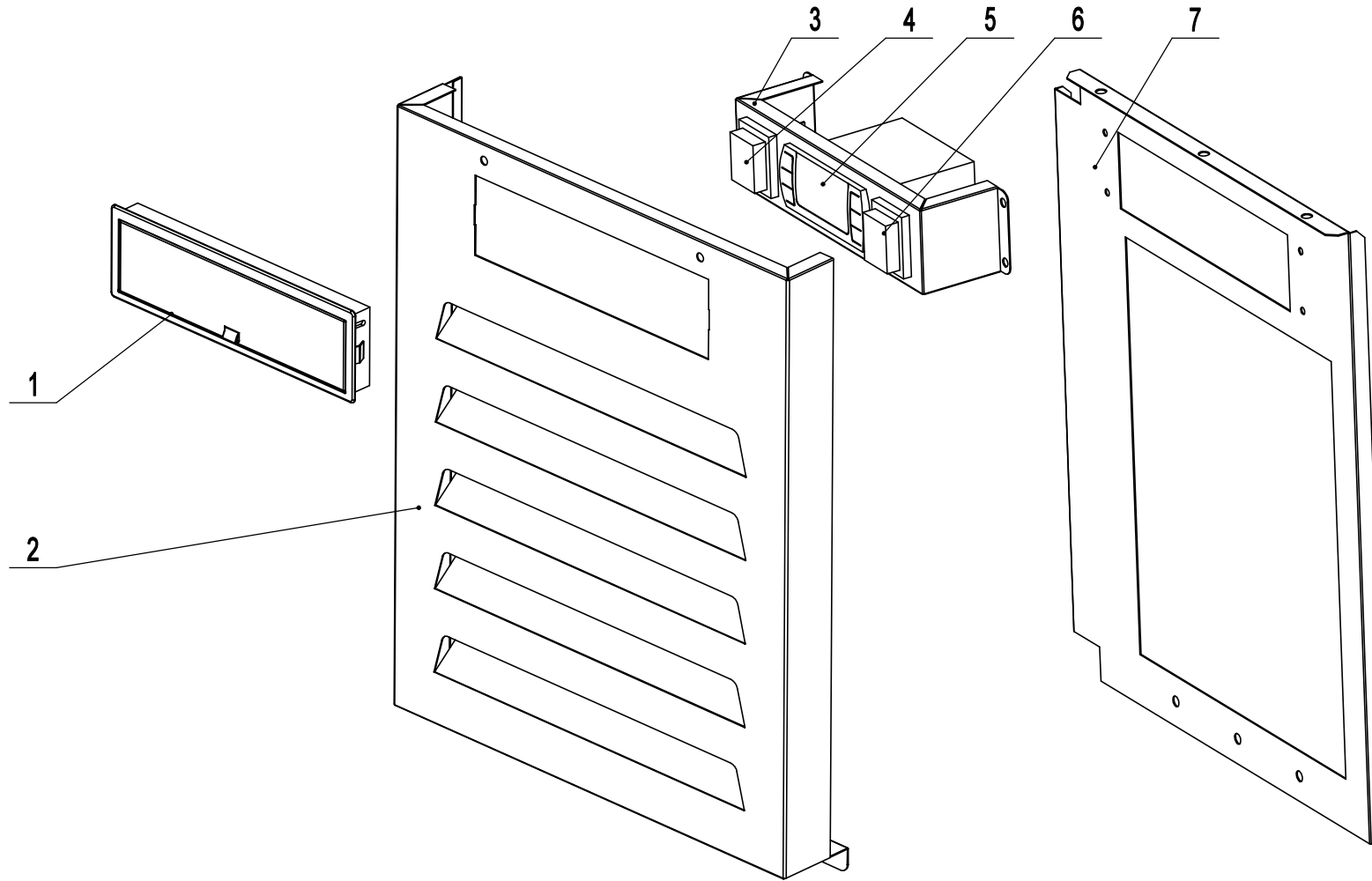
REV 11.2024



4	R08011000060	Mullion Foam	1
3	MKC0058102001430	Mullion Back Cover	1
2	R03014000009	Mullion Plastic Connector	2
1	MKC0058102002430	Mullion Front Cover	1
No.	Part #	Part Name	Qty

MKC58GR-MTPA

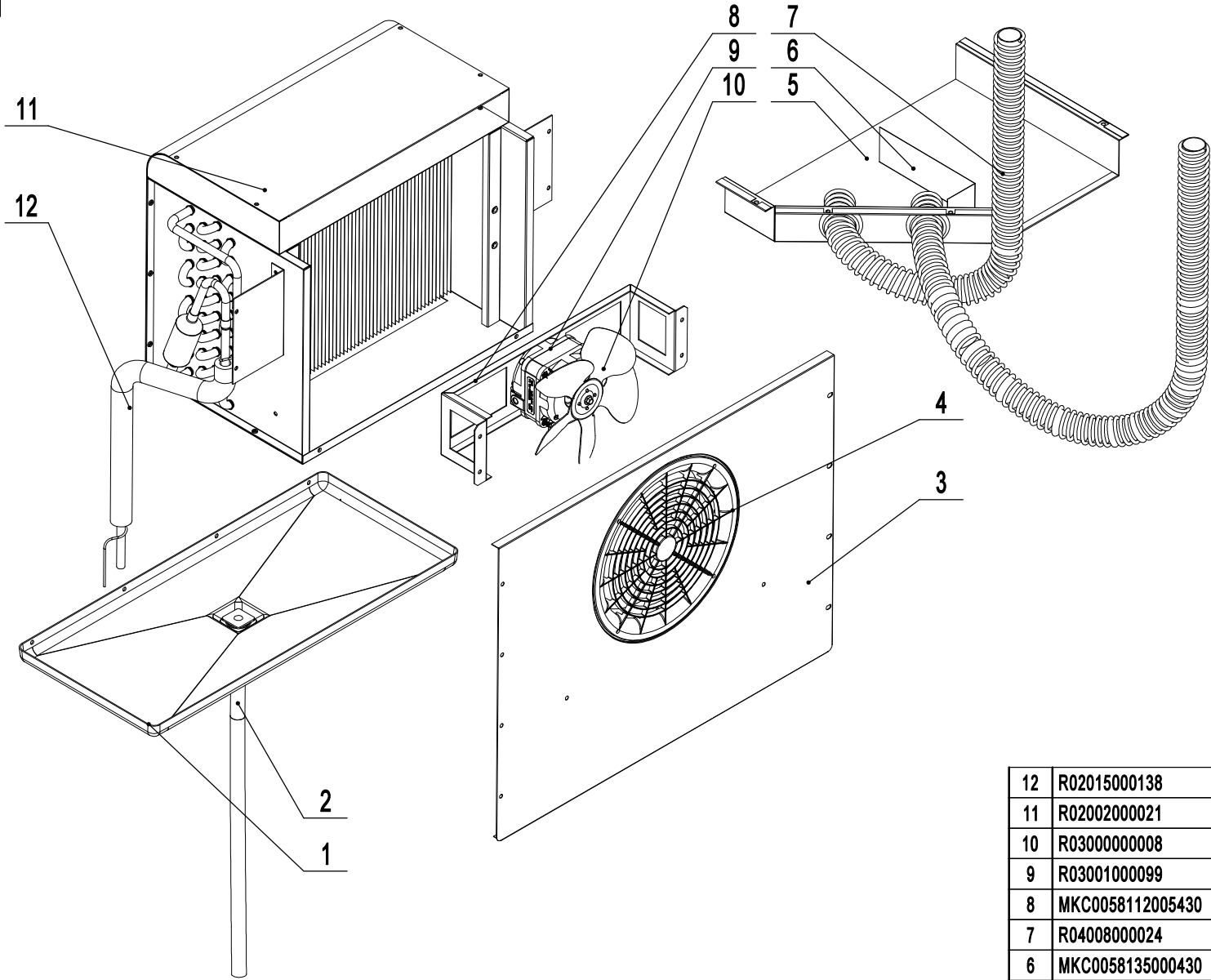
REV 11.2024



7	MKC0058103001500	Condenser Air Baffle	1
6	R03008000009	LED Power Switch	1
5	R03002000043-FCAZN2	Digital Controller	1
4	R03008000008	Power Switch	1
3	MKC0058106016500	Controller Bracket	1
2	MKC0058111001430	Front Air Vent Cover	1
1	R04011000107	Controller Cover	1
No.	Part #	Part Name	Qty

MKC58GR-WEA

REV 11.2024



12	R02015000138	Evap Coil	1
11	R02002000021	Evaporator	1
10	R03000000008	Evap Fan Blade	1
9	R03001000099	Evap Fan Motor	1
8	MKC0058112005430	Evap Fan Bracket	1
7	R04008000024	PUR Tube	2
6	MKC0058135000430	Stack Duct Assembly	1
5	MBB0059104001430	Stack Duct	1
4	R04011000047	Evap Fan Shroud	1
3	MKC0058104002430	Evap Cover	1
2	R04008000028	Drain Pipe	1
1	R04013000005	Evap Drain Pan	1
No.	Part #	Part Name	Qty