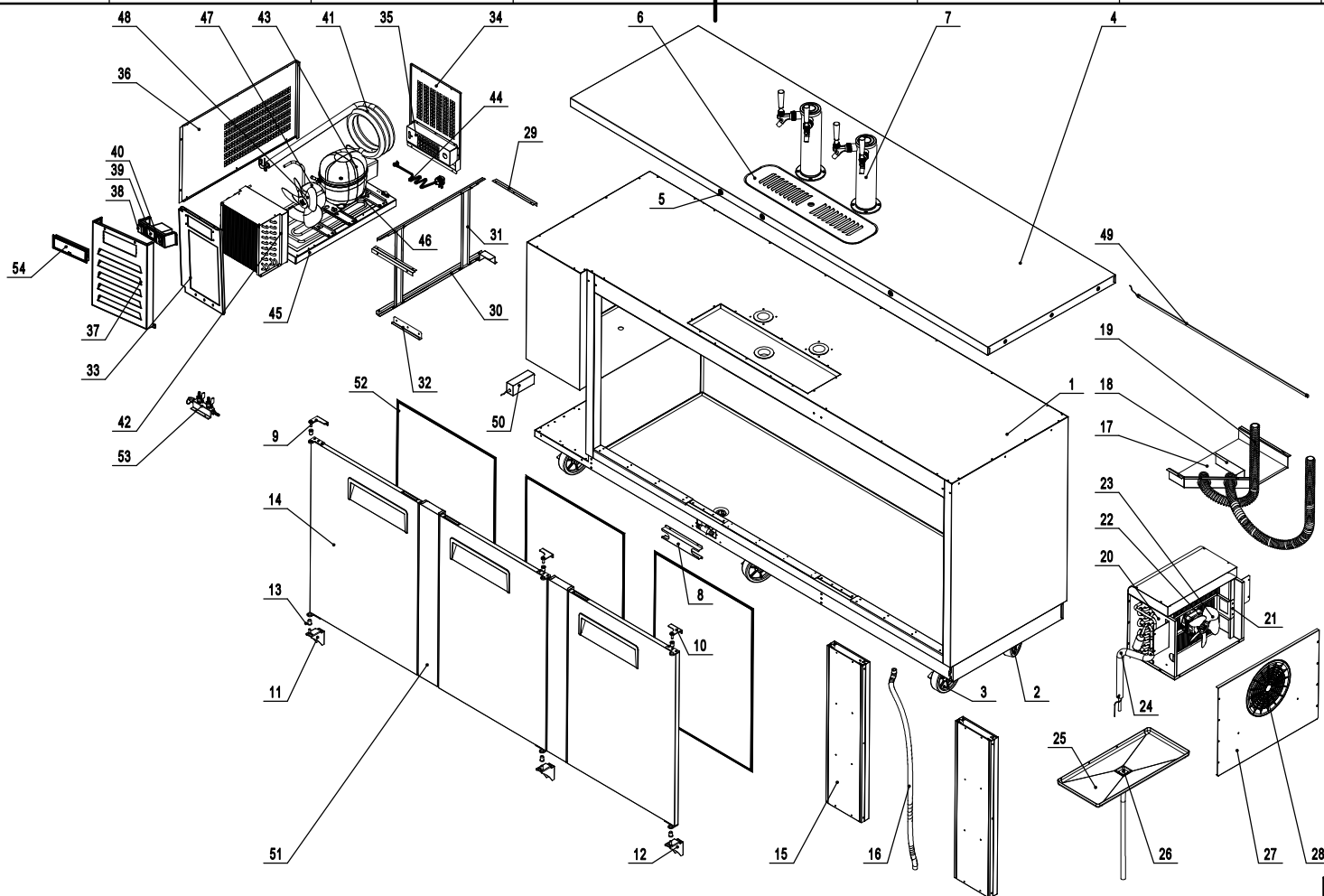


MKC90GR
REV 11.2024



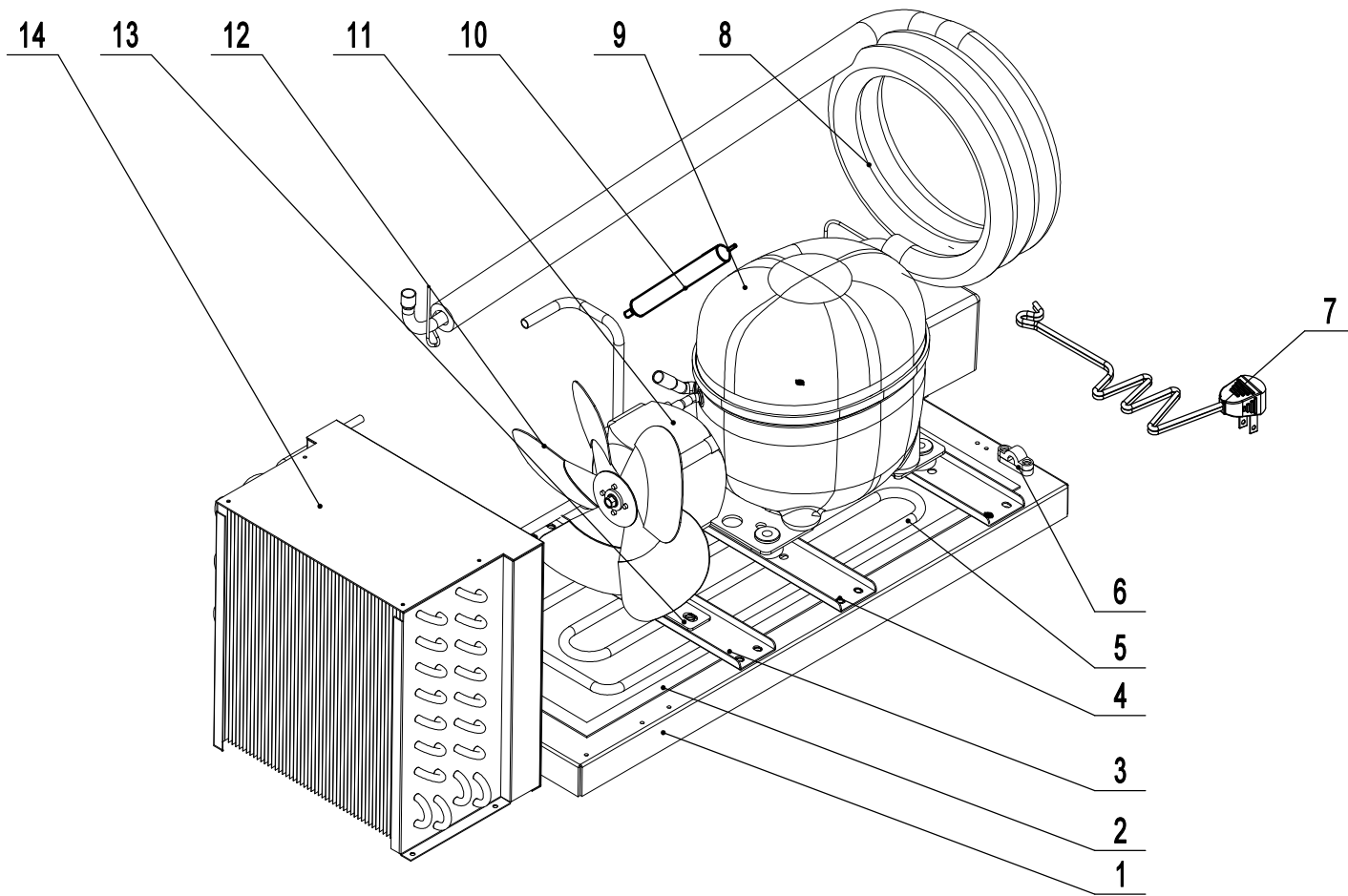
No.	Part #	Qty	Part Name
1	N/A	1	Cabinet Assembly
2	B0604401	3	2" Plate Caster W/O Brake
3	B0604402	3	2" Plate Caster W/ Brake
4	MKC90-0301	1	Counter Top Assembly
5	W0604007	3	Lock&Key
6	MKC58-0303	1	Sink
7	W0699063	2	Faucet
8	MKC58-0705	1	Tee Drain Pipe Cover
9	W0604200	1	Top Left Hinge
10	W0604201	2	Top Right Hinge
11	W0604202	1	Bottom Left Hinge
12	W0604203	2	Bottom Right Hinge
13	W0409900	6	Door Shaft Sleeve
14	MBB0059201000	1	Left Door
15	MBB0059201020	2	Right Door
16	MKC0090202000	2	Mullion
17	W0408940	1	PVC Tube
18	MKC58-0605	1	Stack Duct

No.	Part #	Qty	Part Name
18	MKC58-0606	1	Stack Duct Assembly
19	W0408942	2	PUR Tube
20	W0202061	1	Evaporator
21	MKC58-0612	1	Evap Fan Bracket
22	W0301904-1	1	Evap Fan Motor
23	W0301059	1	Evap Fan Blade
24	W0210443	1	Evap Coil
25	W0411093	1	Evap Drain Pan
26	W0409100	1	Drain Pipe
27	MKC58-0607	1	Evap Cover
28	W0409080	1	Evap Fan Shroud
29	MKC58-0706	2	Front Air Vent Frame Support
30	MKC58-0707	2	Left Air Vent Frame Support
31	MKC58-0708	2	Unit Frame Support
32	MKC58-0709	1	Unit Front Cover Fastner
33	MKC58-0714	1	Condenser Air Baffle
34	MKC58-0703	1	Back Air Vent Cover
35	MKC58-0704	1	Power Cord Box

No.	Part #	Qty	Part Name
36	MKC58-0702	1	Left Air Vent Cover
37	MKC58-0715	1	Front Air Vent Cover
38	W0308022	1	LED Power Switch
39	W0302174-FR6A6M10	1	Digital Controller
40	W0308019	1	Power Switch
41	W0210442	1	Suction Tube
42	W0203065	1	Condenser
43	W0201042	1	Compressor
44	W0305134	1	Power Cord
45	MKC58-0801	1	Condensing Unit Base Board
46	W0210440	1	Condenser Coil
47	W0301905-1	1	Condenser Fan Motor
48	W0301060	1	Condenser Fan Blade
49	W0304085	1	LED Light
50	W0399115	1	Power Supply/Transformer
51	MKC90-0503	1	Mullion Cover
52	W0404066	3	Door Gasket
53	W0699062	1	CO2 Distributor
54	W0409887	1	Controller Cover

MKC90GR-CCA

REV 11.2024

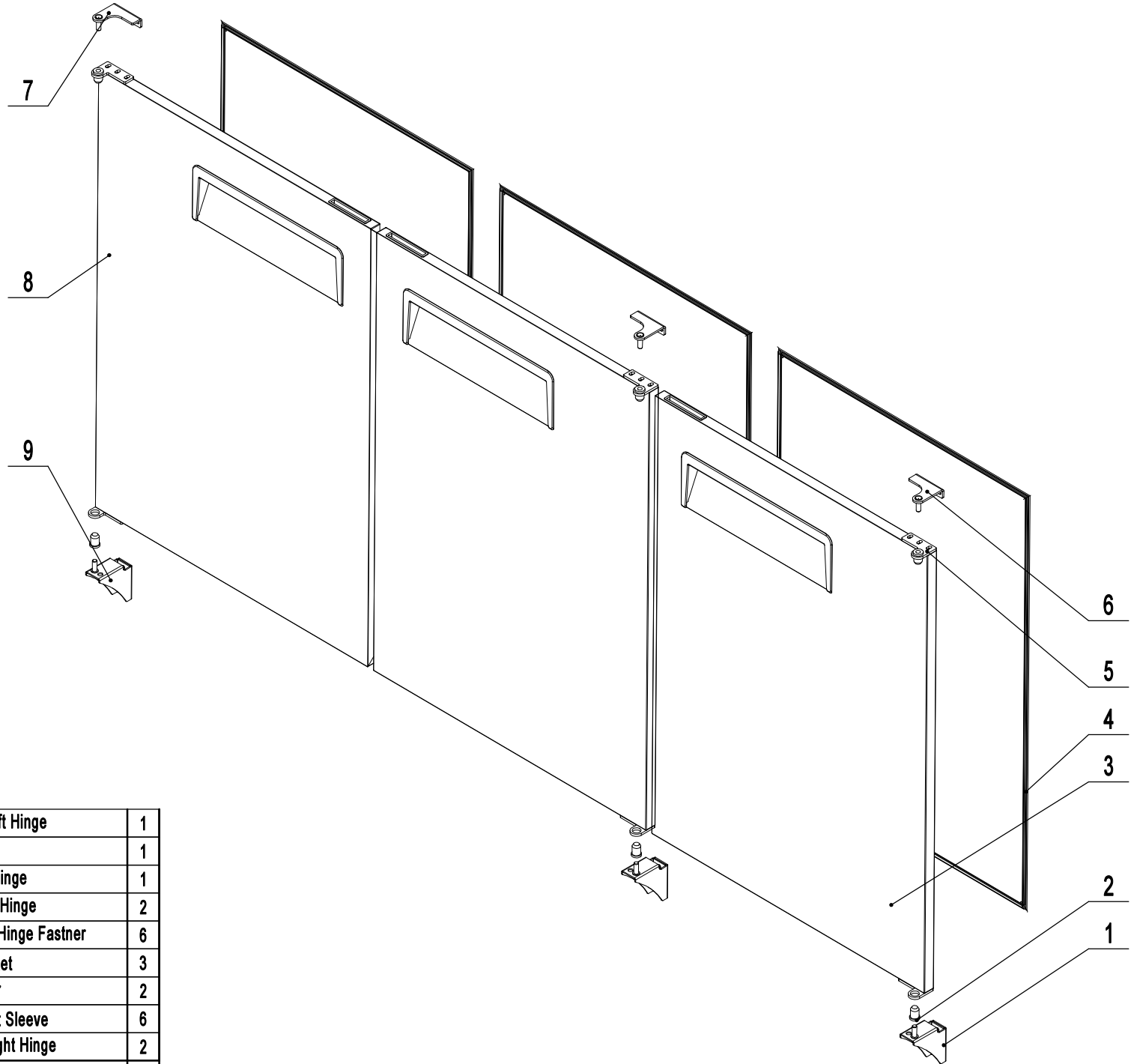


14	R02005000014	Condenser	1
13	R06099000057	Fan Motor Bracket	1
12	R03000000013	Condenser Fan Blade	1
11	R03001000100	Condenser Fan Motor	1
10	R02014000002	Filter Drier	1
9	R02000000007	Compressor	1
8	R02015000137	Suction Tube	1
7	R03005000012	Power Cord	1

6	R04011000132	Power Cord Fastner	1
5	R02015000135	Condenser Coils	1
4	MKC0058103002430	Compressor Fastner	2
3	MKC0058106017430	Condenser Fan Motor Fastner	1
2	R04013000002	Drain Pan	1
1	MKC0058113003500	Condensing Unit Base Board	1
No.	Part #	Part Name	Qty

MKC90GR-DA

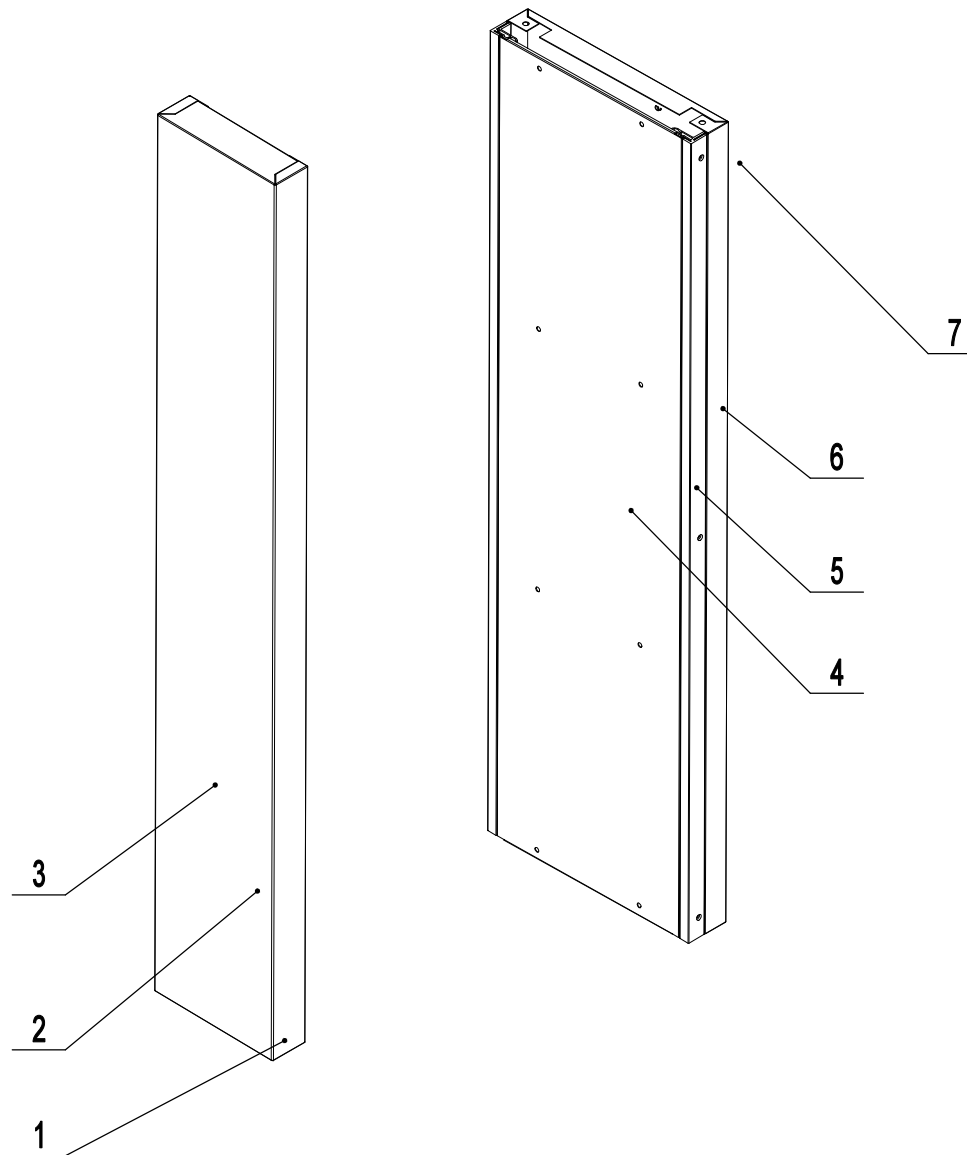
REV 11.2024



9	R06007000077	Bottom Left Hinge	1
8	MBB0059201001	Left Door	1
7	R06007000075	Top Left Hinge	1
6	R06007000076	Top Right Hinge	2
5	R06007000079	Top Door Hinge Fastner	6
4	R04003000037	Door Gasket	3
3	MBB0059221000	Right Door	2
2	R04011000112	Door Shaft Sleeve	6
1	R06007000078	Bottom Right Hinge	2
No.	Part #	Part Name	Qty

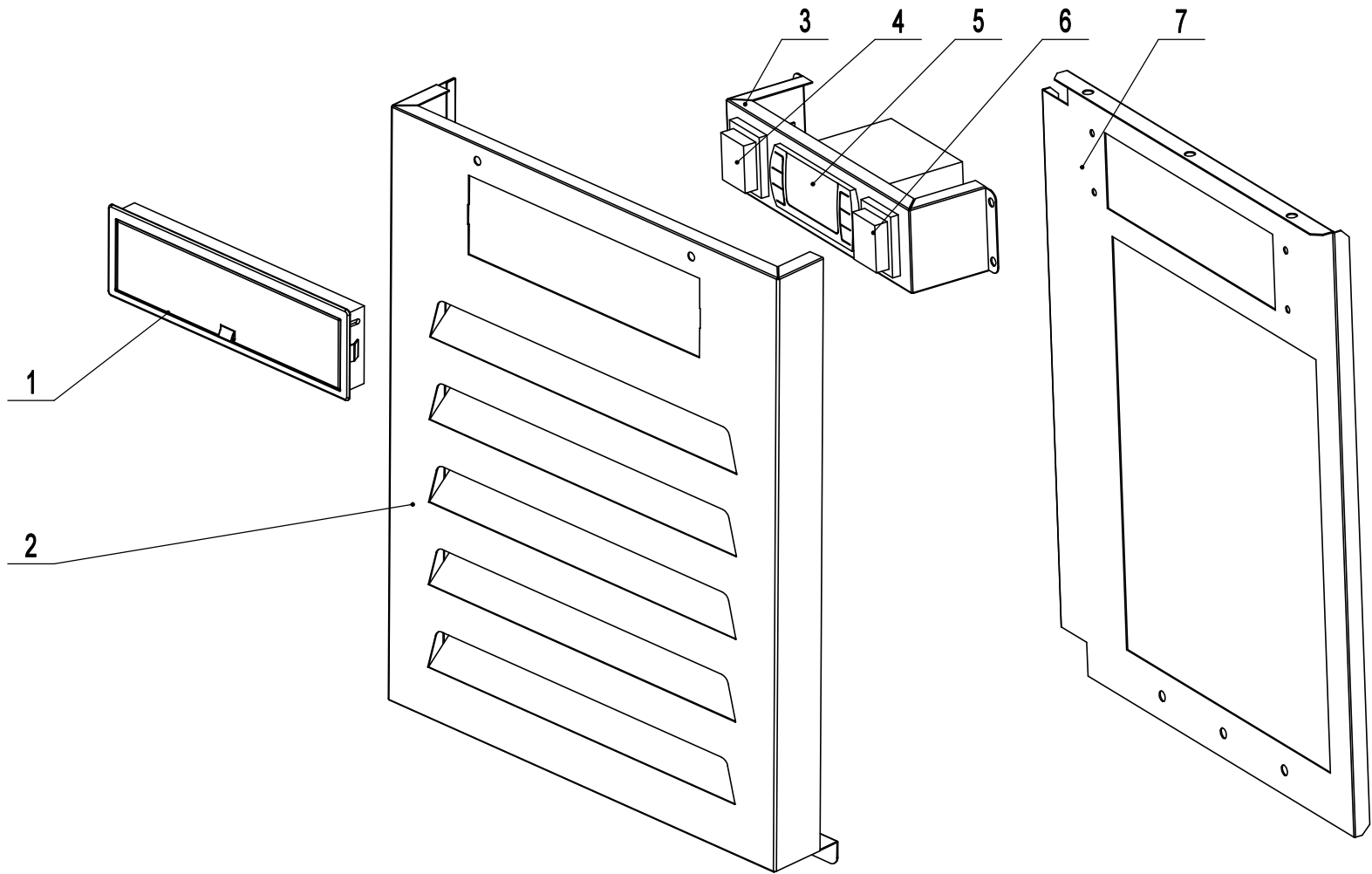
MKC90GR-MA

REV 11.2024



7	R08011000063	Mullion Foam	1
6	MKC0090102002430	Mullion Back Cover	1
5	R03014000009	Mullion Plastic Connector	2
4	MKC0090102003430	Mullion Front Cover	1
3	R08011000064	Mullion Foam Cover	1
2	R08011000066	Mullion Foam Cover	1
1	MKC0090102001430	Mullion Cover	1
No.	Part #	Part Name	Qty

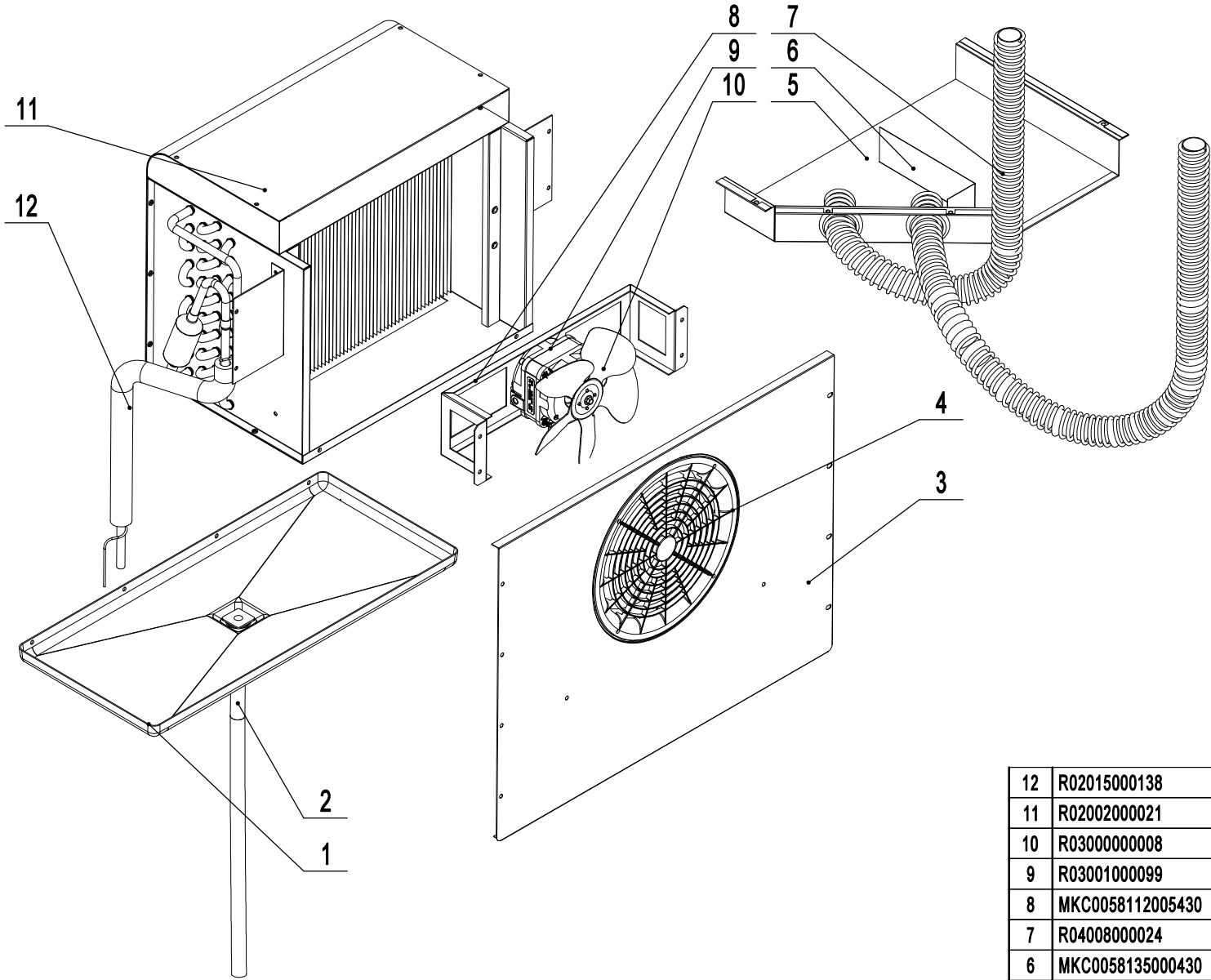
MKC90GR-MTPA
 REV 11.2024



7	MKC0058103001500	Condenser Air Baffle	1
6	R03008000009	LED Power Switch	1
5	R03002000043-FCAZN2	Digital Controller	1
4	R03008000008	Power Switch	1
3	MKC0058106016500	Controller Bracket	1
2	MKC0058111001430	Front Air Vent Cover	1
1	R04011000107	Controller Cover	1
No.	Part #	Part Name	Qty

MKC90GR-WEA

REV 11.2024



12	R02015000138	Evap Coil	1
11	R02002000021	Evaporator	1
10	R03000000008	Evap Fan Blade	1
9	R03001000099	Evap Fan Motor	1
8	MKC0058112005430	Evap Fan Bracket	1
7	R04008000024	PUR Tube	2
6	MKC0058135000430	Stack Duct Assembly	1
5	MBB0059104001430	Stack Duct	1
4	R04011000047	Evap Fan Shroud	1
3	MKC0058104002430	Evap Cover	1
2	R04008000028	Drain Pipe	1
1	R04013000005	Evap Drain Pan	1
No.	Part #	Part Name	Qty