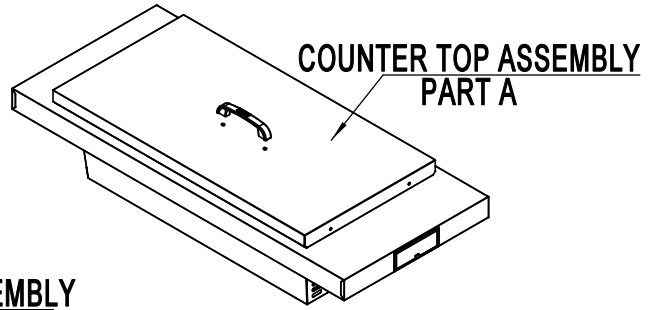
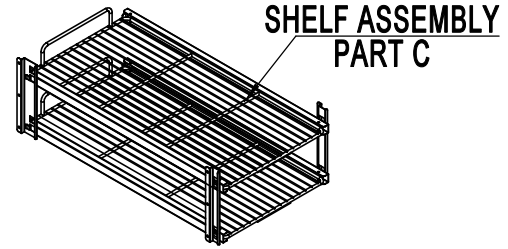
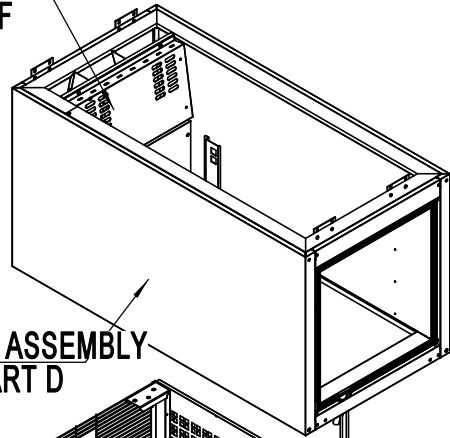


MSF17GRNTCV

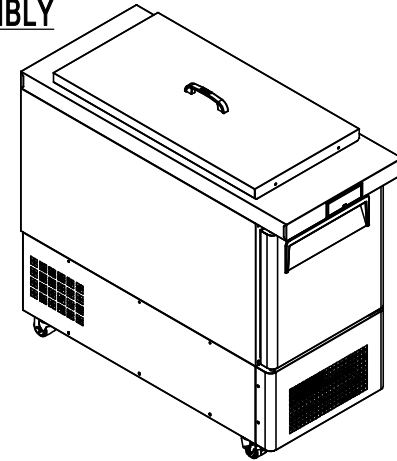
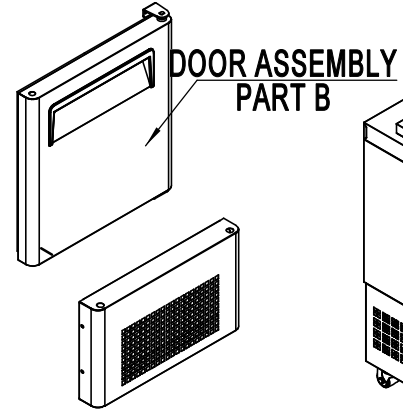
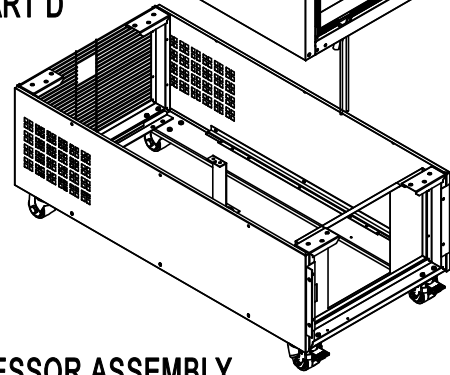
2025.2.10



EVAP ASSEMBLY
PART F

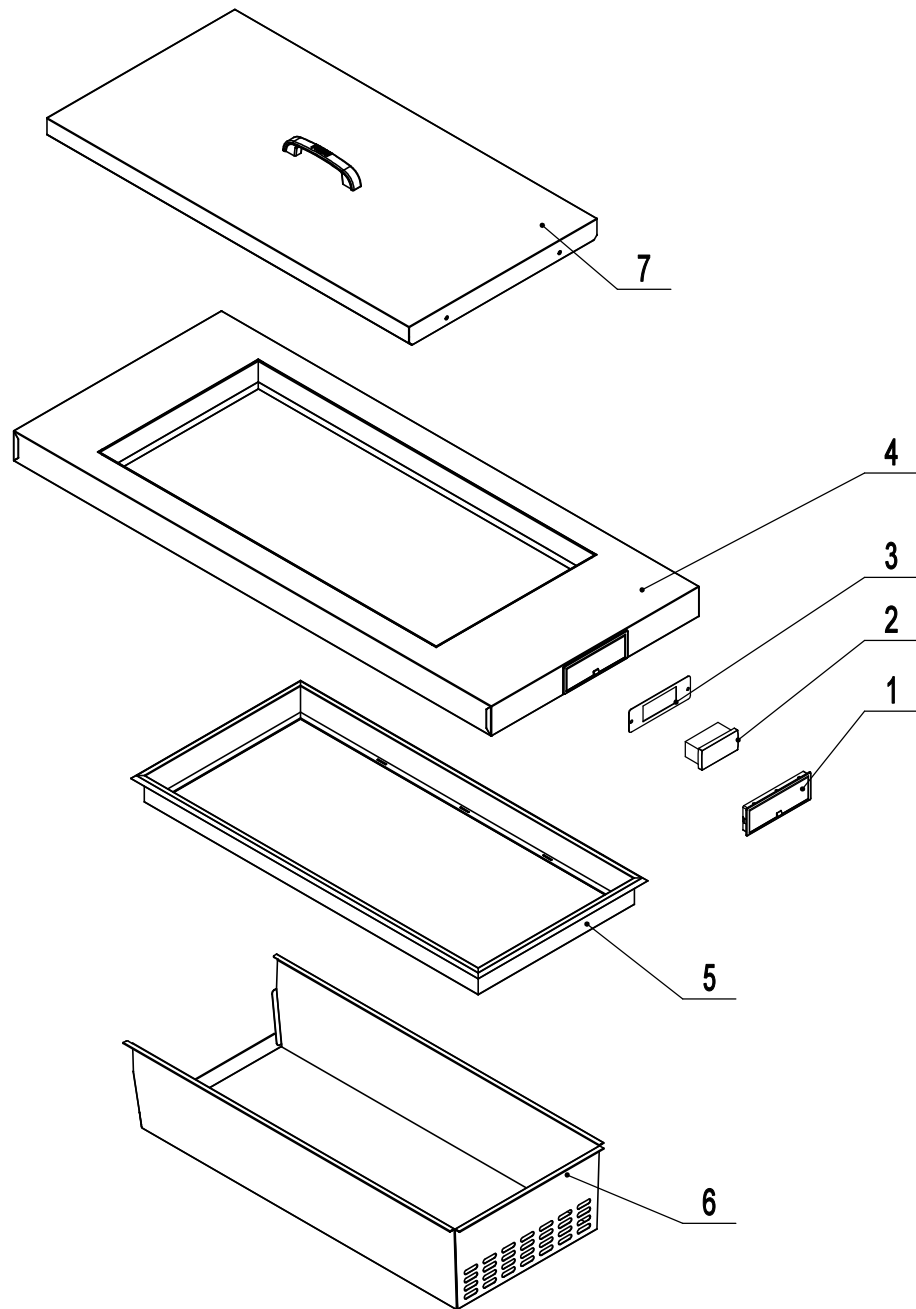


COMPRESSOR ASSEMBLY
PART E



PART A

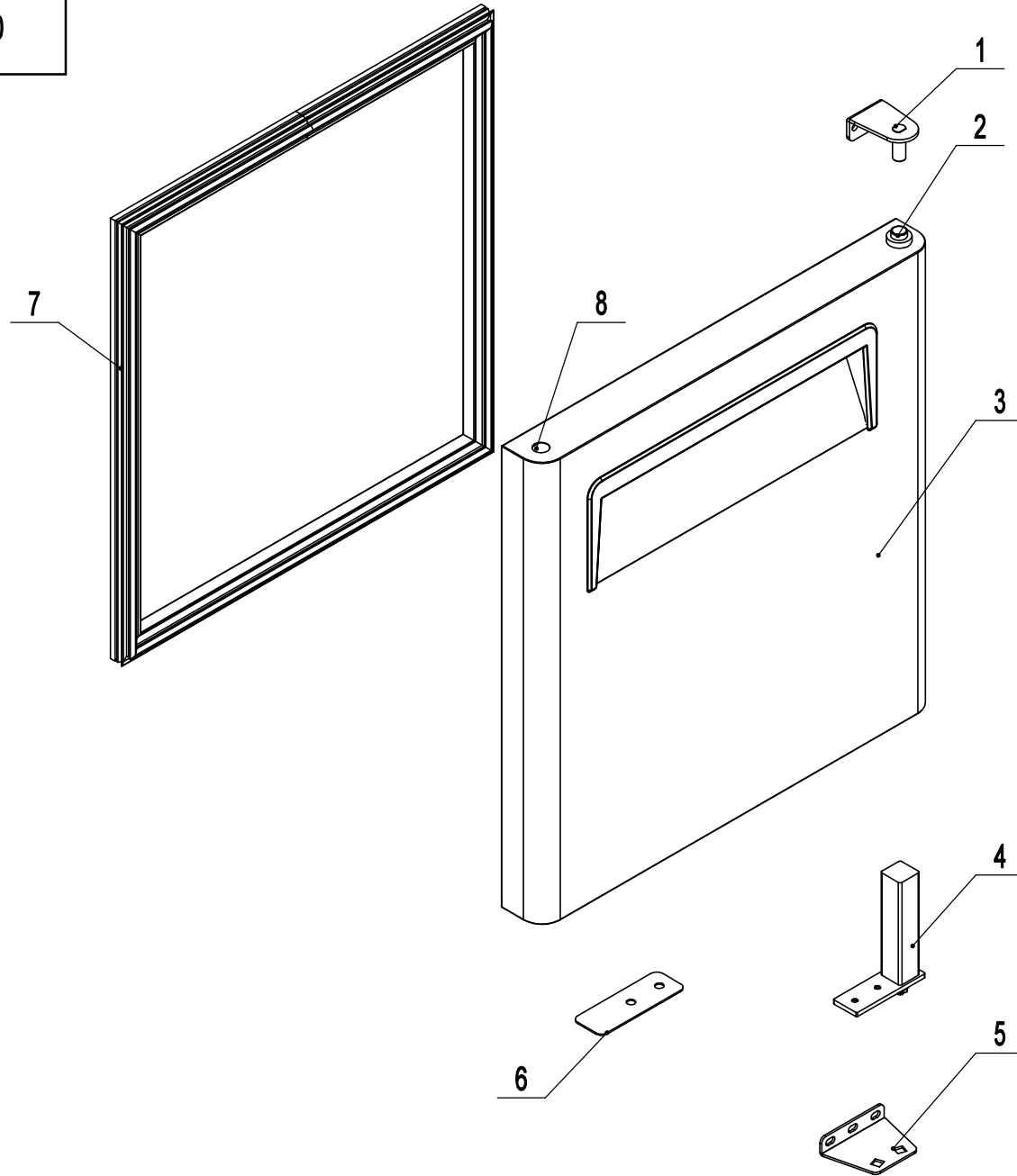
2025.2.10



7	MSF17GR234000	Lid	1
6	MSF17GR204000	Pan Liner	1
5	MSF17GR215000	Support Frame For Pan	1
4	MSF17GR225000	Counter Top Body Assembly	1
3	MSF8303112005430	Digital Controller	1
2	R03018000002	Digital Controller	1
1	R04011000113	Controller Cover	1
No.	Part#	Part Name	Qty

PART B

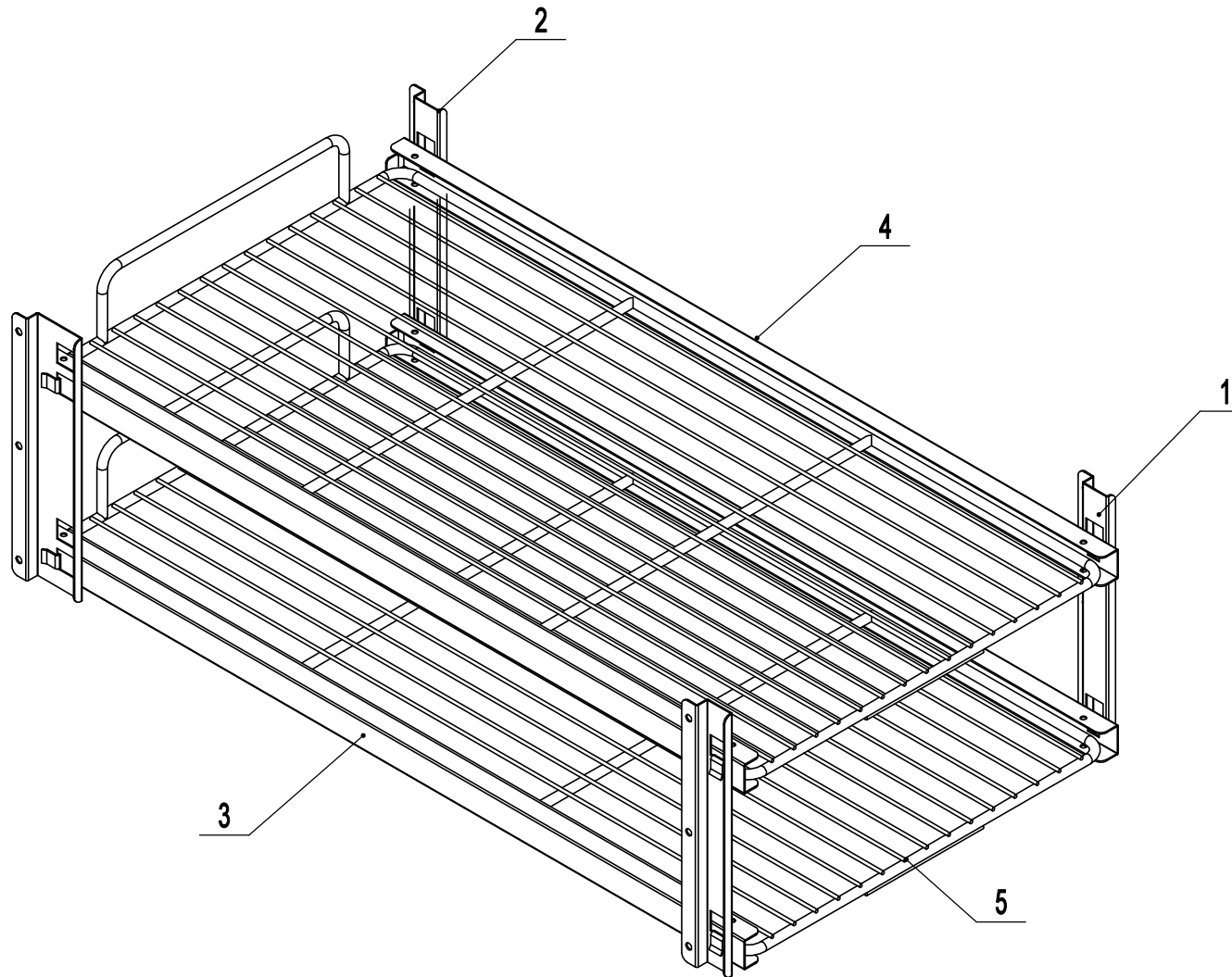
2025.2.10



8	R04011000370	Door Shaft Sleeve	1
7	R04003000256	Door Gasket	1
6	MSF17GR101000201	Door Spring Cover	1
5	MSF17GR13500201	Bottom Hinge	1
4	W0604046	Door Spring	1
3	MSF17GR221000	Door Body Assembly	1
2	W0409843	Door Shaft Sleeve	1
1	80012201	Top Hinge	1
No.	Part#	Part Name	Qty

PART C

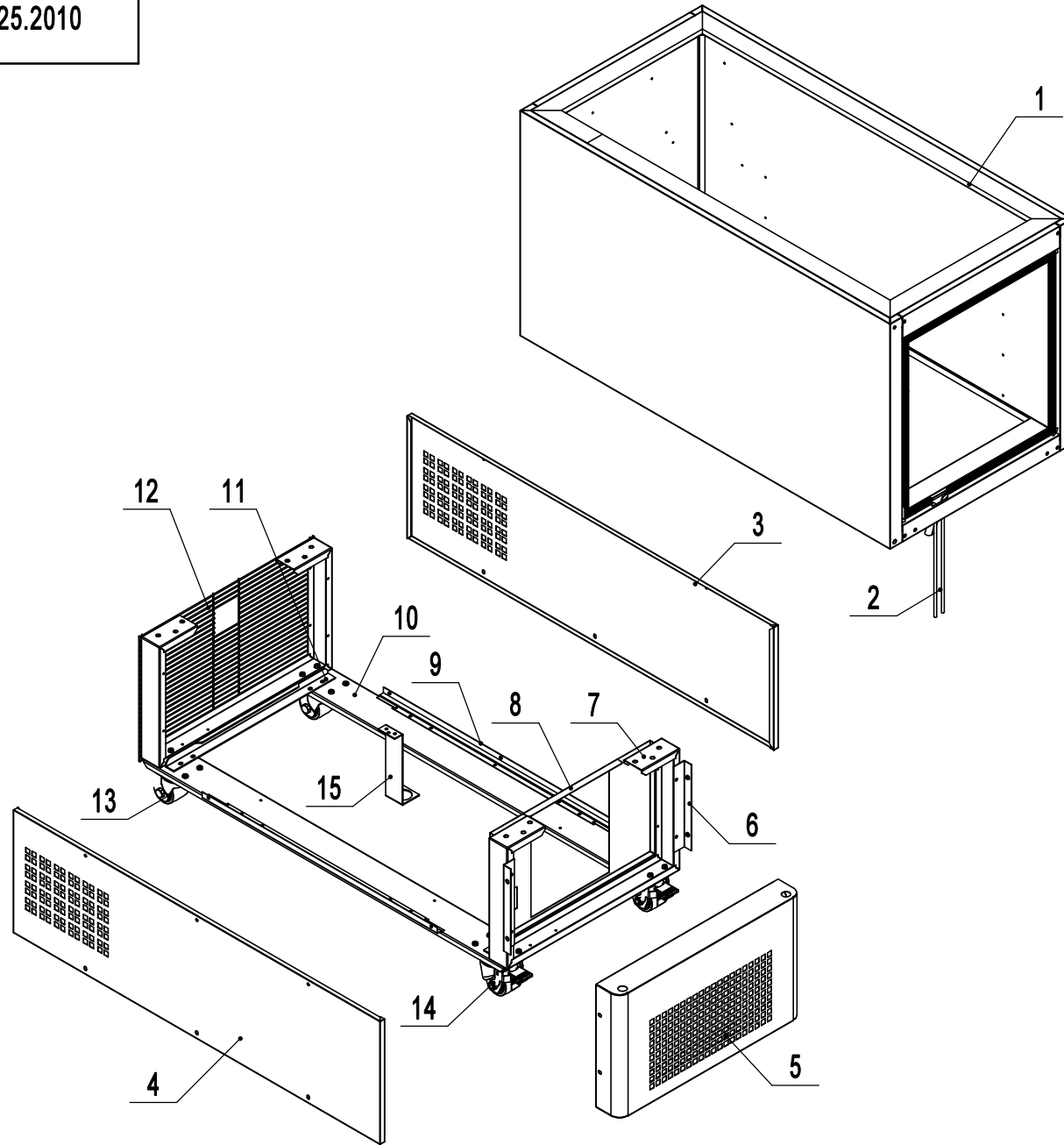
2025.2.10



5	R06004000321	Shelf	2
4	80037408-201M	Right Chute	2
3	80037407-201M	Left Chute	2
2	MSF17GR11500201	Shelf Pilaster	2
1	MSF17GR11500201	Shelf Pilaster	2
No.	Part#	Part Name	Qty

PART D

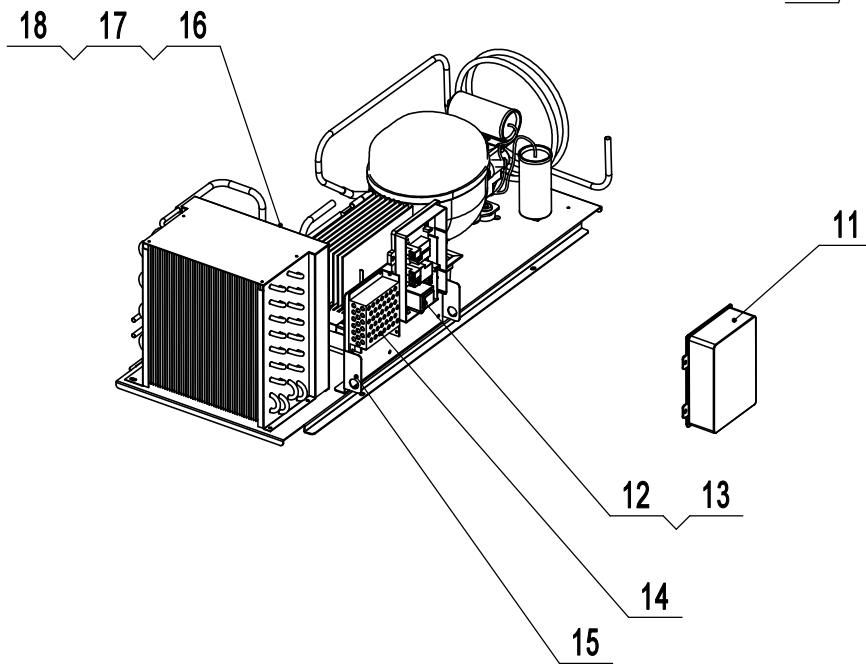
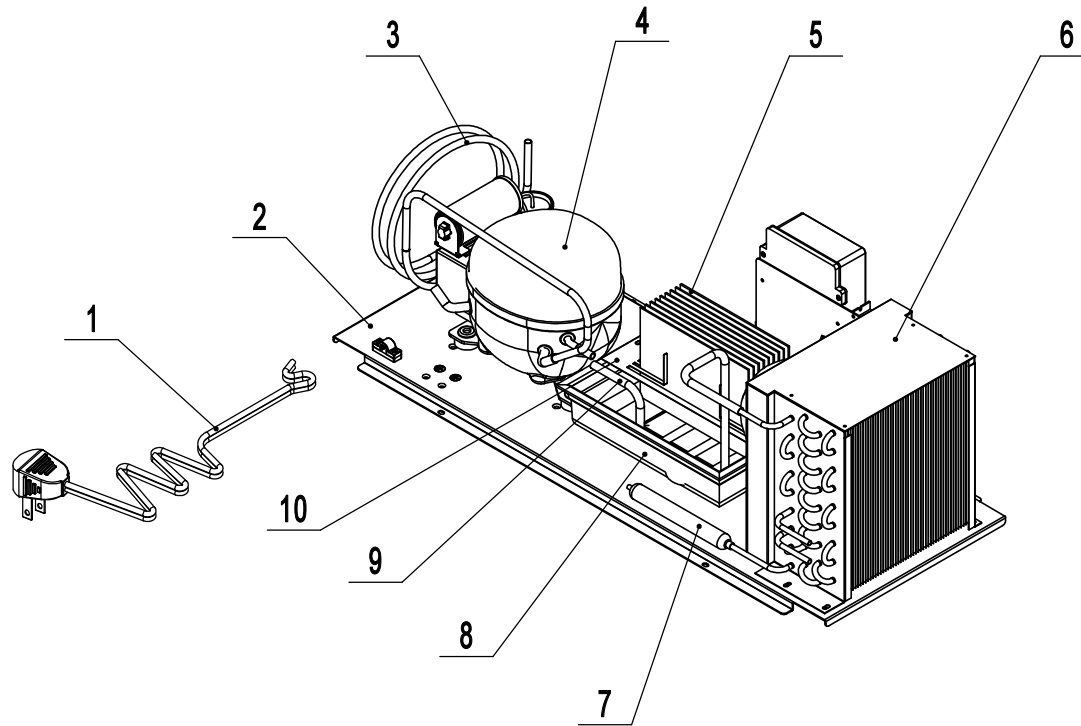
2025.2010



15	MBF8504106011500	Drain Pipe Fastner	1
14	R06001000016	2" Plate Caster W/ Brake	2
13	R06001000015	2" Plate Caster W/O Brake	2
12	R06005000067	Back Barrier	1
11	MSF17GR103000500	Comp base guide	2
10	MSF17GR112001500	Base Support	2
9	MBC0050106011500	Left Air Vent Cover	4
8	MSF17GR103002500	Condenser Air Baffle	1
7	MSF17GR112000500	Side Panel Frame	2
6	MSF17GR111003430	Bottom Panel Fastner	2
5	MSF17GR111002430	Bottom Panel	1
4	MSF17GR111000430	Side Panel Left	1
3	MSF17GR111001430	Side Panel Right	1
2	R02015001234	Heating Tube	1
1	MSF17GR206000	Cabinet Assembly	1
No.	Part#	Part Name	Qty

PART E

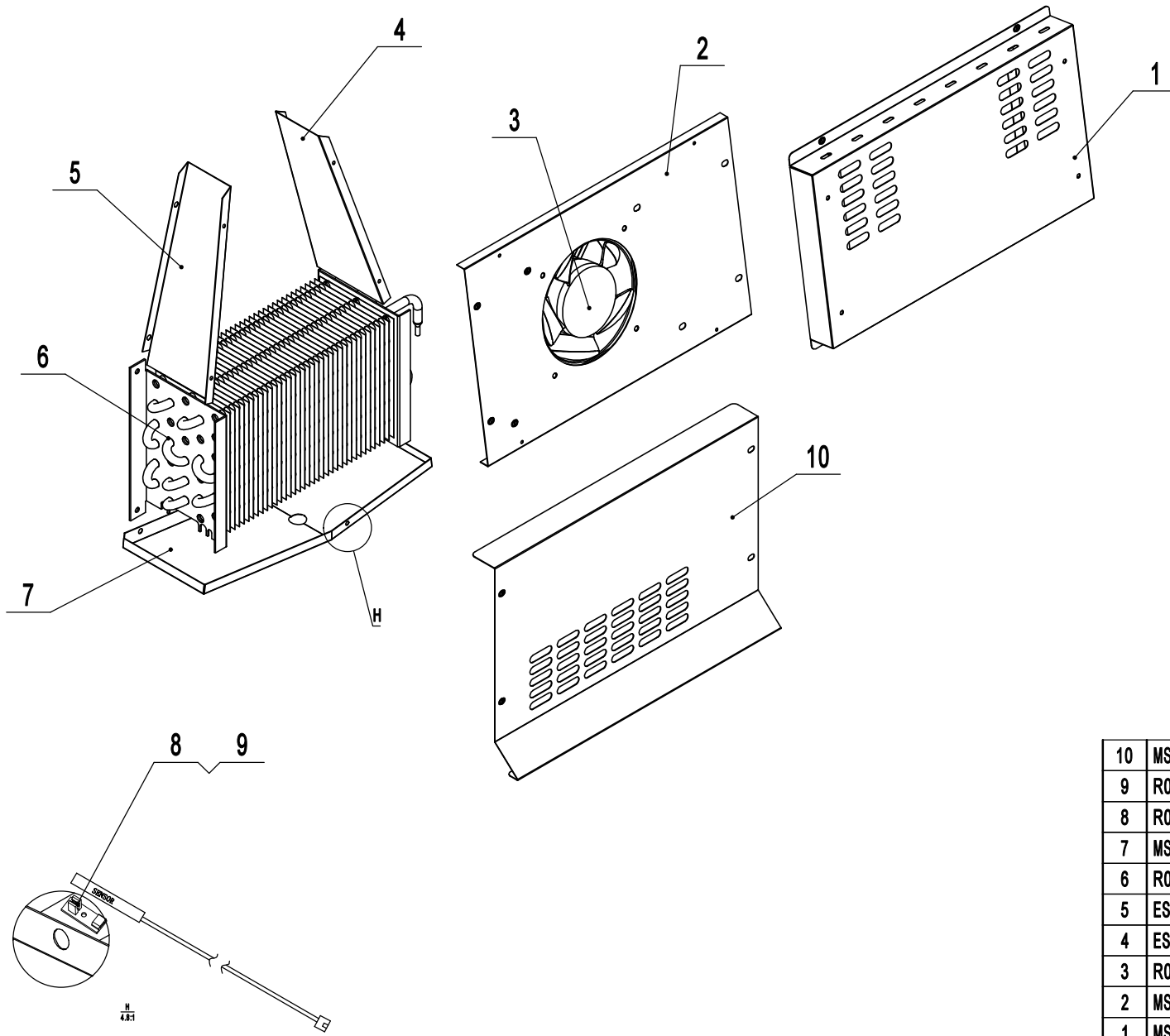
2025.2.10



18	R0609900057	Fan Motor Bracket	1
17	R0300100065	Condenser Fan Motor	1
16	R0300000013	Evap Fan Blade	1
15	MSF17GR103003500	Controller Bracket	1
14	R0302400010	Power Supply/Transformer	1
13	R04011000332	Controller Box	1
12	R03002000089-FCAZN3	Digital Controller	1
11	R04011000331	Controller Box Cover	1
10	MSF8303112004430	Bracket For Wicking Paper	1
8	R04013000015	Drain Pan	1
7	R02014000002	Filter Drier	1
6	R02005000072	Condenser Coil	1
5	R04099000011	Wicking Paper	9
4	R02000000007	Compressor	1
3	R02015001235	Suction Tube B	1
2	MSF17GR103001500	Condensing Unit Board	1
1	R03005000012	Power Cord	1
No.	Part#	Part Name	Qty

PART F

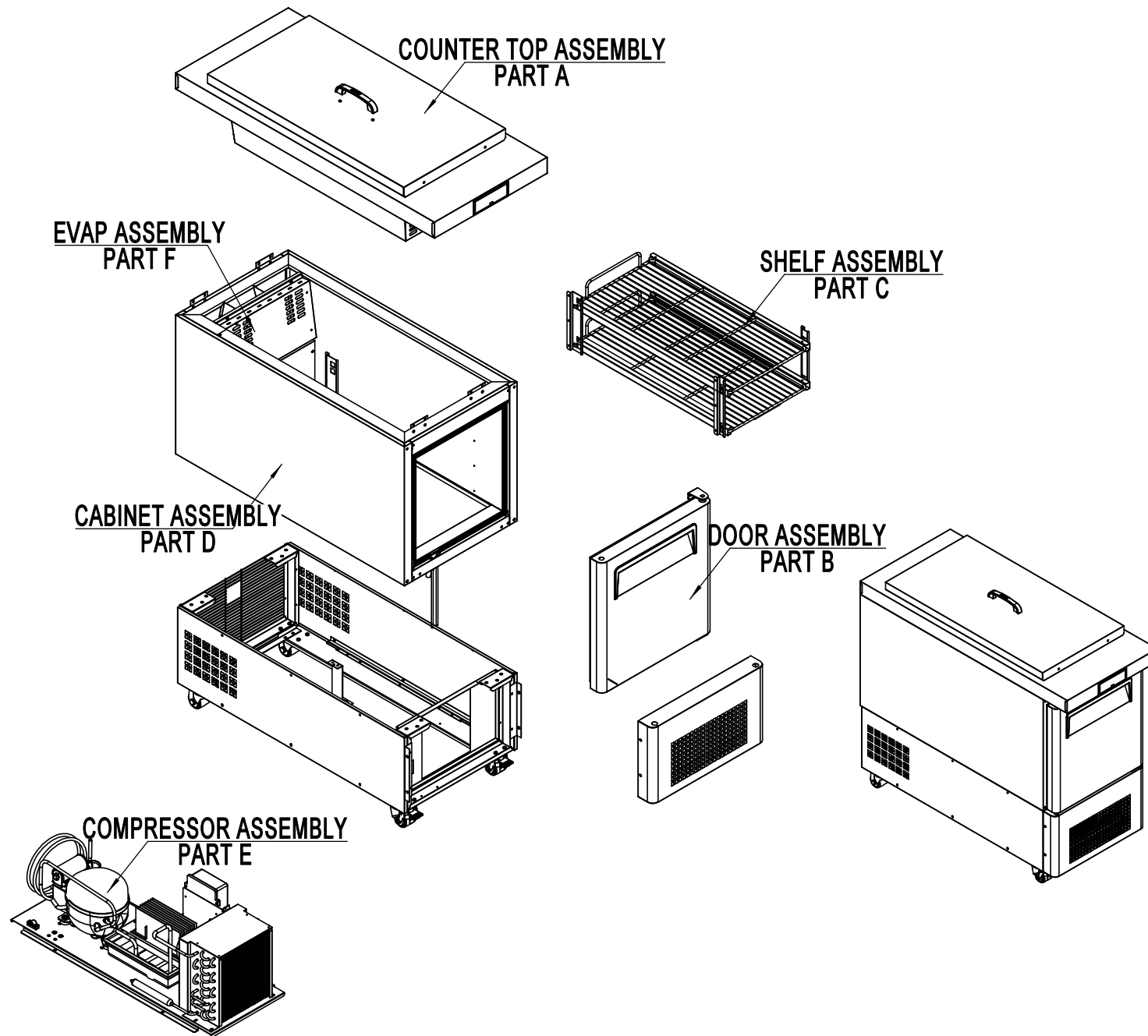
2025.2.10



10	MSF17GR10400430	Evap Cover	1
9	R04011000080	Probe Clip	1
8	R03019000011	Temp Probe	1
7	MSF17GR104002430	Evap Drain Pan	1
6	R02002000167	Evaporator	1
5	ESF004F104004430	Evap Right Air Deflector	1
4	ESF004F104003430	Evap Left Air Deflector	1
3	R03001000015	Evap Fan Motor	1
2	MSF17GR104001430	Evap Fan Shroud	1
1	MSF17GR104006430	Stack Duct	1
No.	Part#	Part Name	Qty

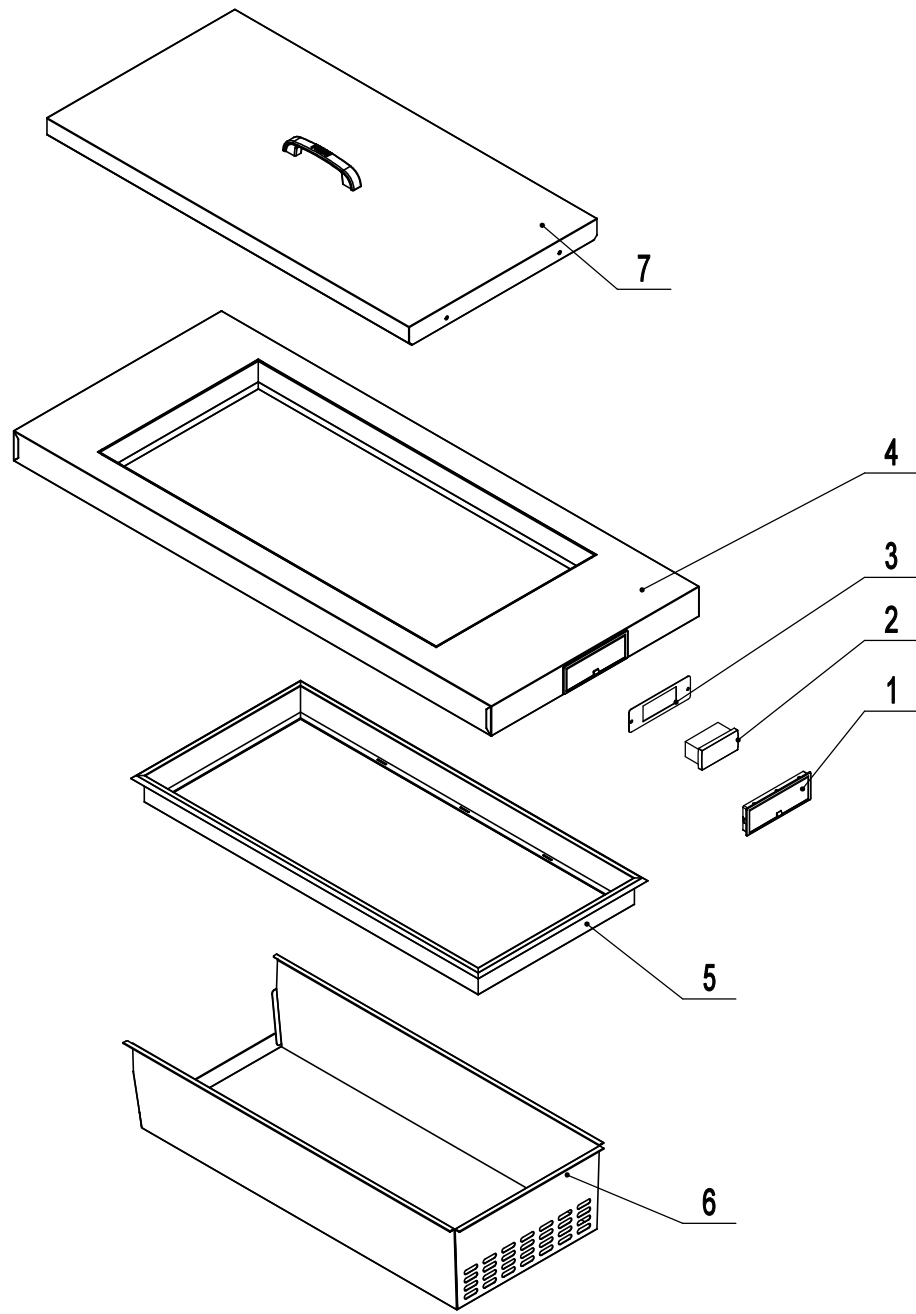
MSF17GR-NTCV

After 2023.05



PART A

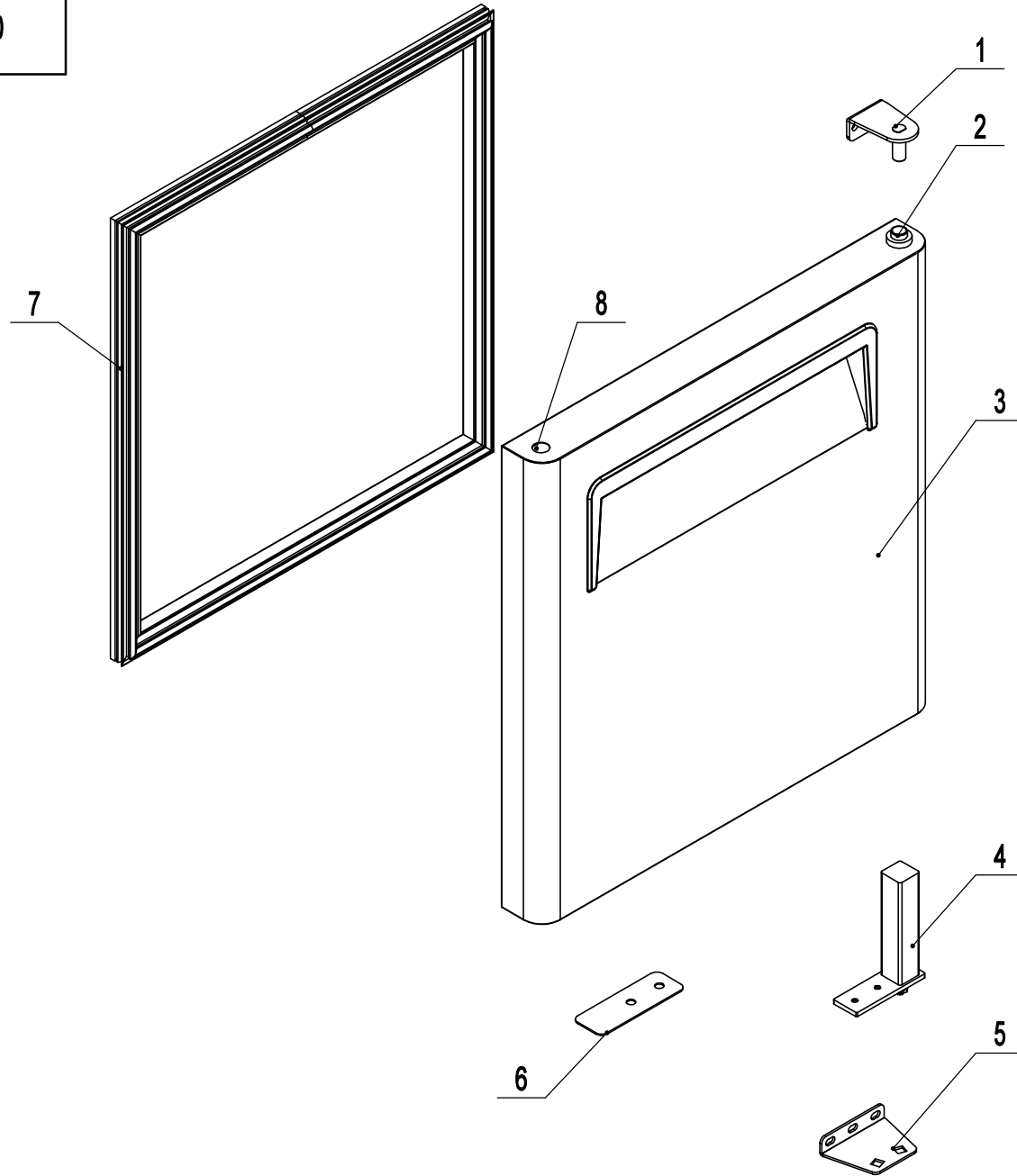
2025.2.10



7	MSF17GR234000	Lid	1
6	MSF17GR204000	Pan Liner	1
5	MSF17GR215000	Support Frame For Pan	1
4	MSF17GR225000	Counter Top Body Assembly	1
3	MSF8303112005430	Digital Controller	1
2	R03018000002	Digital Controller	1
1	R04011000113	Controller Cover	1
No.	Part#	Part Name	Qty

PART B

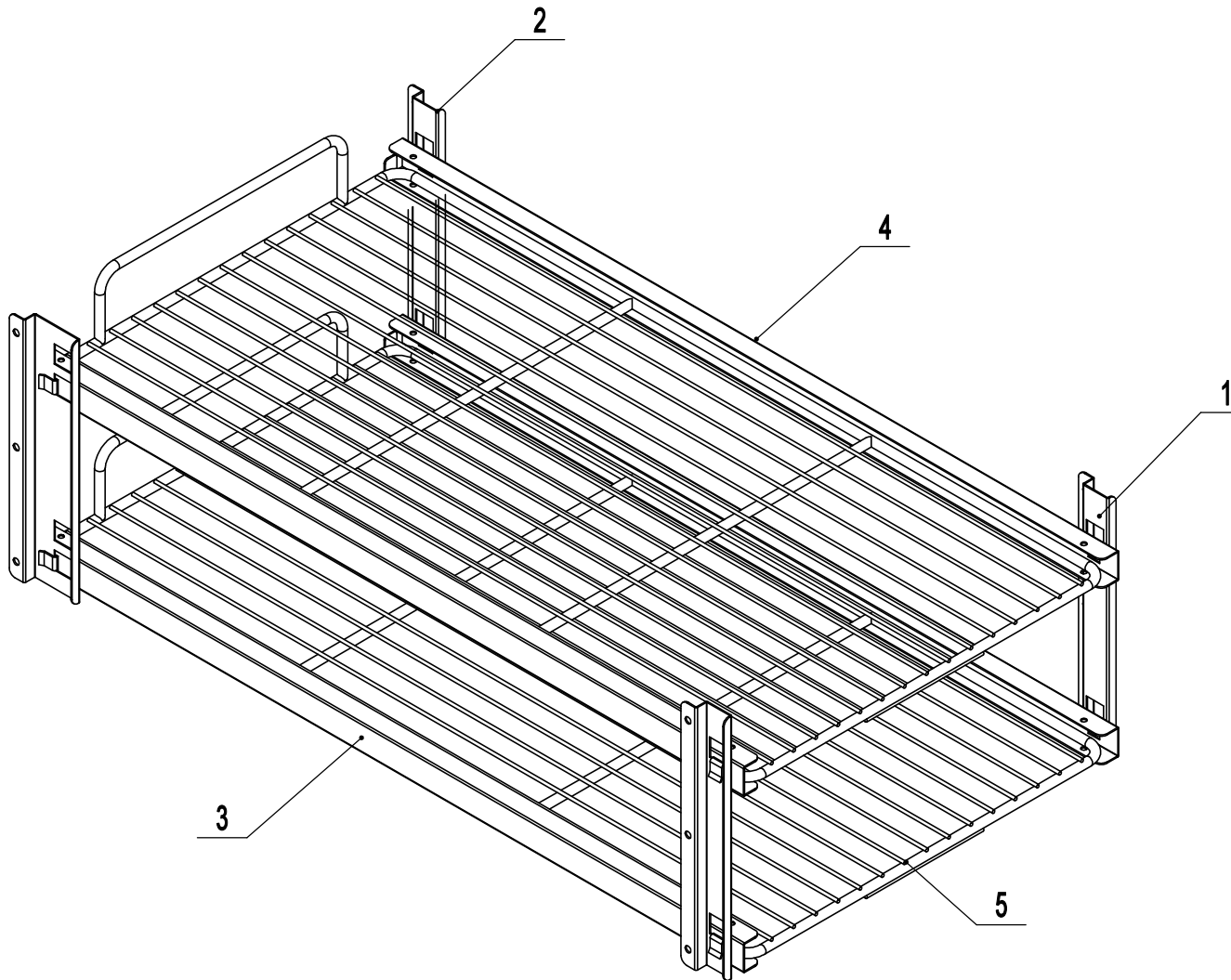
2025.2.10



8	R04011000370	Door Shaft Sleeve	1
7	R04003000256	Door Gasket	1
6	MSF17GR101000201	Door Spring Cover	1
5	MSF17GR13500201	Bottom Hinge	1
4	W0604046	Door Spring	1
3	MSF17GR221000	Door Body Assembly	1
2	W0409843	Door Shaft Sleeve	1
1	80012201	Top Hinge	1
No.	Part#	Part Name	Qty

PART C

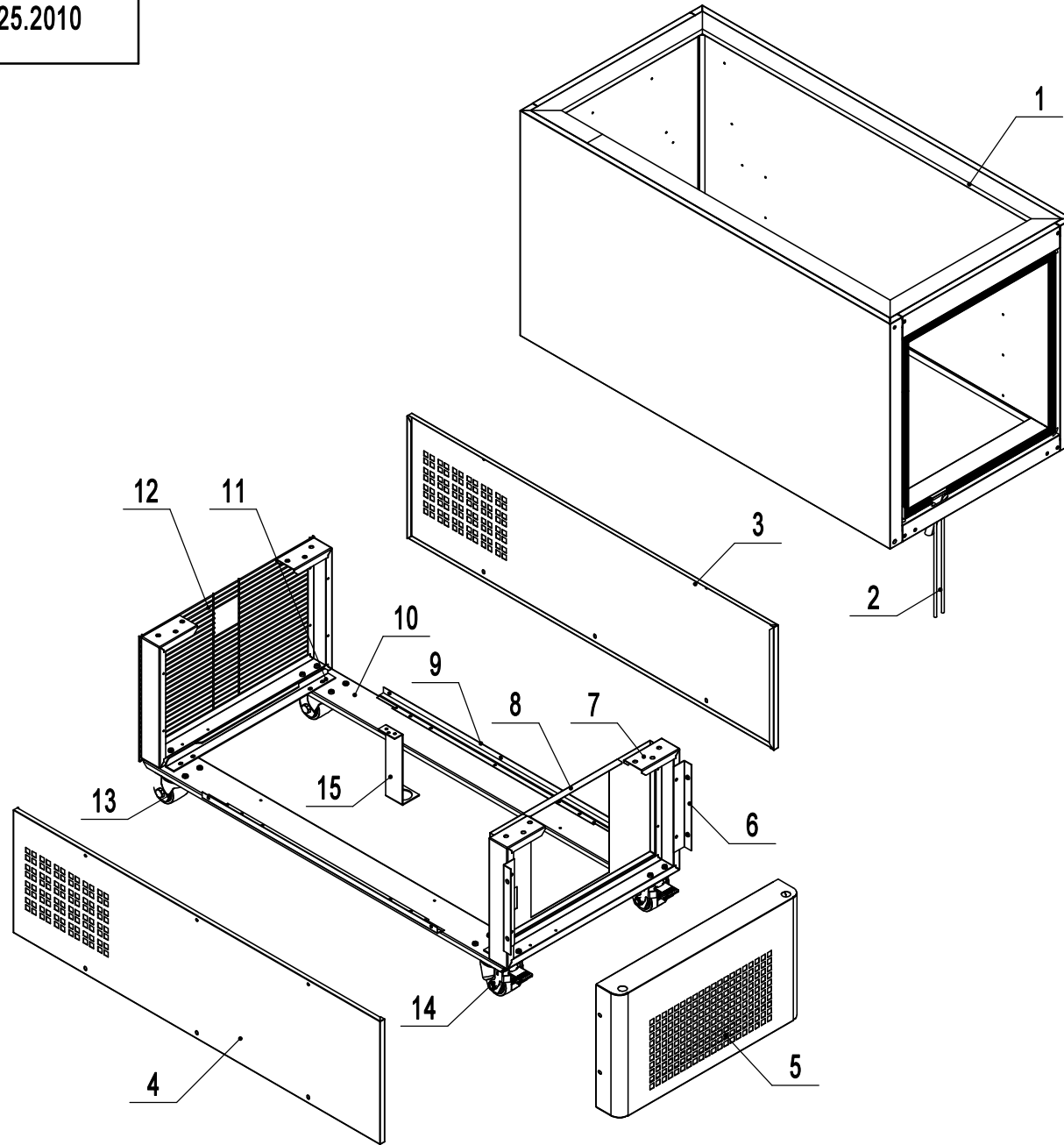
2025.2.10



5	R06004000321	Shelf	2
4	80037408-201M	Right Chute	2
3	80037407-201M	Left Chute	2
2	MSF17GR11500201	Shelf Pilaster	2
1	MSF17GR11500201	Shelf Pilaster	2
No.	Part#	Part Name	Qty

PART D

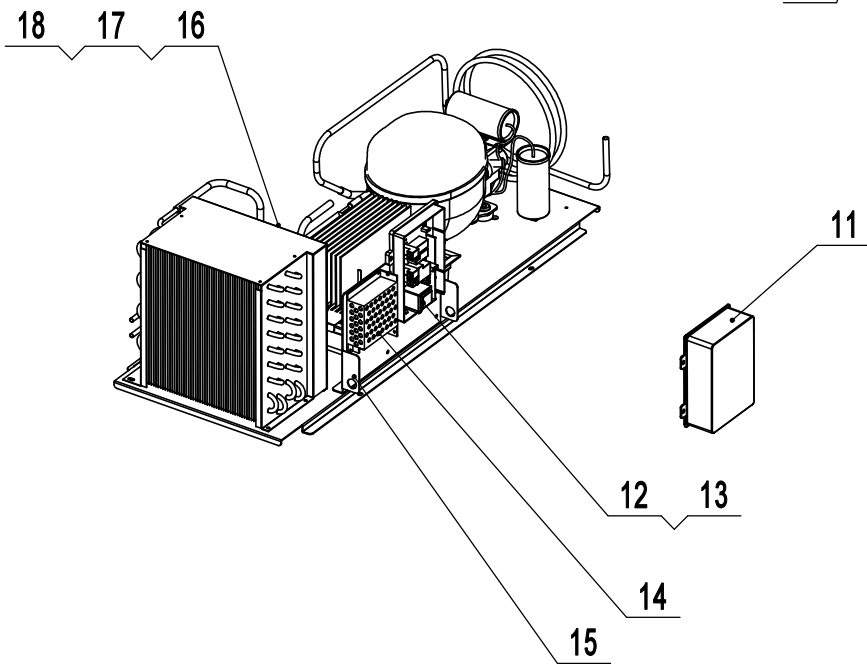
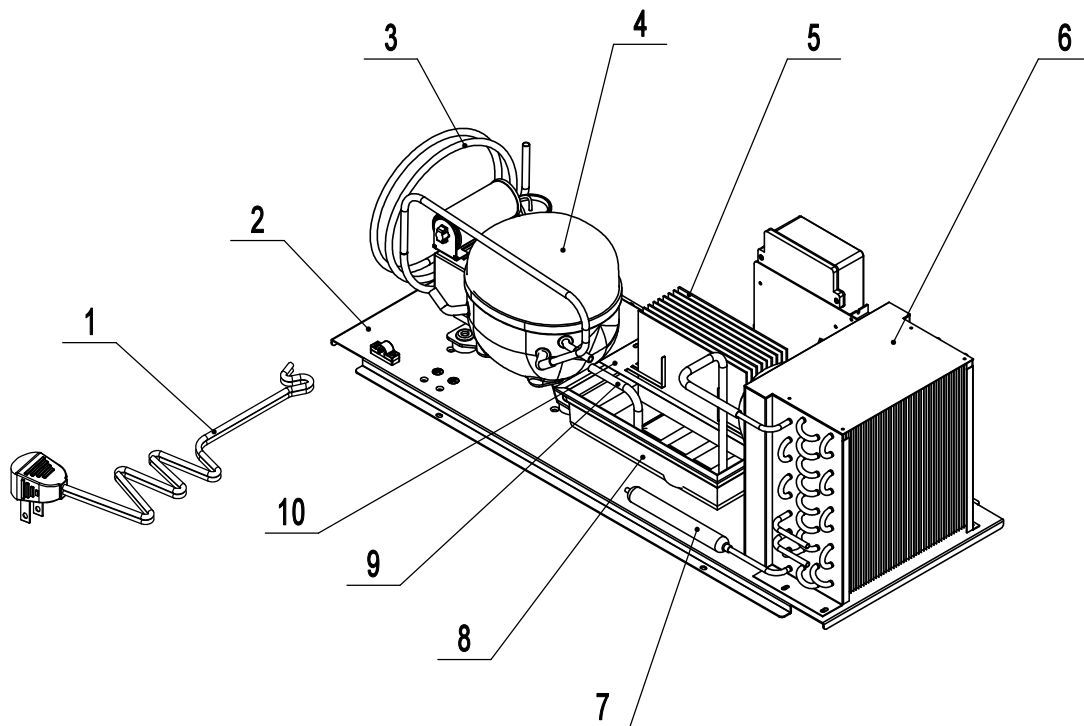
2025.2010



15	MBF8504106011500	Drain Pipe Fastner	1
14	R06001000016	3" Plate Caster W/ Brake	2
13	R06001000015	3" Plate Caster W/O Brake	2
12	R06005000067	Back Barrier	1
11	MSF17GR103000500	Comp base guide	2
10	MSF17GR112001500	Base Support	2
9	MBC0050106011500	Left Air Vent Cover	4
8	MSF17GR103002500	Condenser Air Baffle	1
7	MSF17GR112000500	Side Panel Frame	2
6	MSF17GR111003430	Bottom Panel Fastner	2
5	MSF17GR111002430	Bottom Panel	1
4	MSF17GR111000430	Side Panel Left	1
3	MSF17GR111001430	Side Panel Right	1
2	R02015001234	Heating Tube	1
1	MSF17GR206000	Cabinet Assembly	1
No.	Part#	Part Name	Qty

PART E

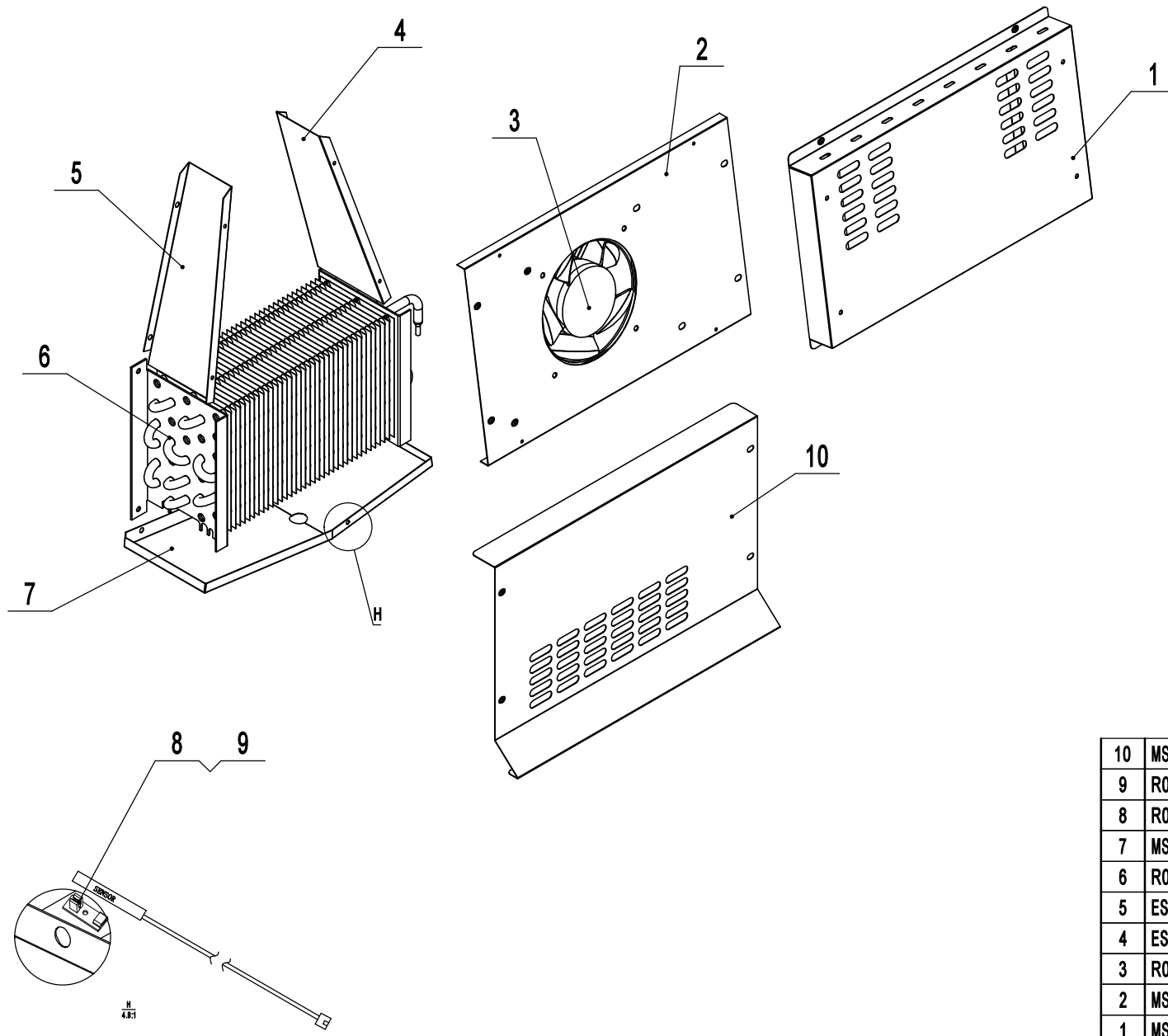
2025.2.10



18	R0609900057	Fan Motor Bracket	1
17	R0300100065	Condenser Fan Motor	1
16	R0300000013	Evap Fan Blade	1
15	MSF17GR103003500	Controller Bracket	1
14	R0302400010	Power Supply/Transformer	1
13	R04011000332	Controller Box	1
12	R03002000089-FCZN3	Digital Controller	1
11	R04011000331	Controller Box Cover	1
10	MSF8303112004430	Bracket For Wicking Paper	1
8	R04013000015	Drain Pan	1
7	R02014000002	Filter Drier	1
6	R02005000072	Condenser Coil	1
5	R04099000011	Wicking Paper	9
4	R02000000007	Compressor	1
3	R02015001235	Suction Tube B	1
2	MSF17GR103001500	Condensing Unit Board	1
1	R03005000012	Power Cord	1
No.	Part#	Part Name	Qty

PART F

2025.2.10



10	MSF17GR10400430	Evap Cover	1
9	R04011000080	Probe Clip	1
8	R03019000011	Temp Probe	1
7	MSF17GR104002430	Evap Drain Pan	1
6	R02002000167	Evaporator	1
5	ESF004F104004430	Evap Right Air Deflector	1
4	ESF004F104003430	Evap Left Air Deflector	1
3	R03001000015	Evap Fan Motor	1
2	MSF17GR104001430	Evap Fan Shroud	1
1	MSF17GR104006430	Stack Duct	1
No.	Part#	Part Name	Qty