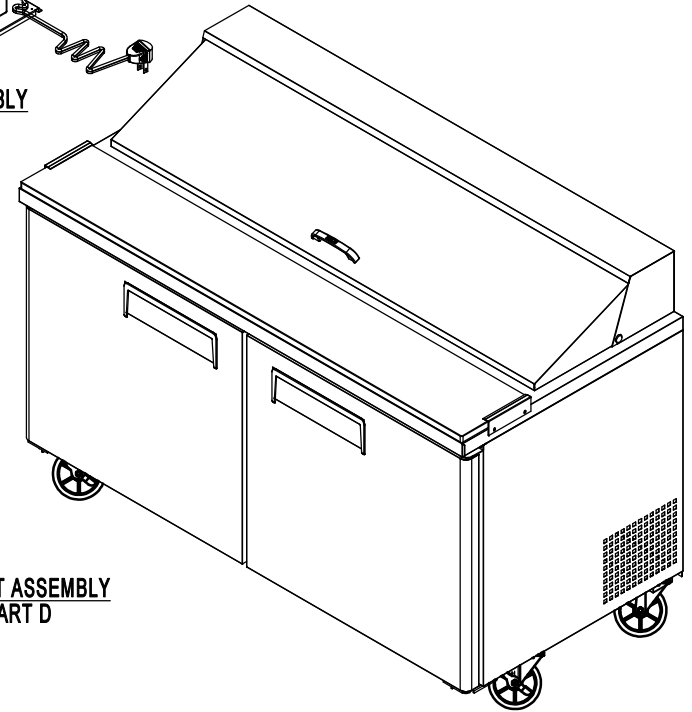
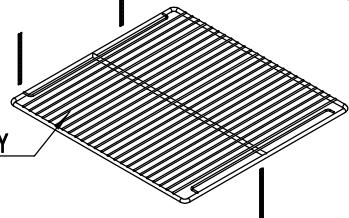
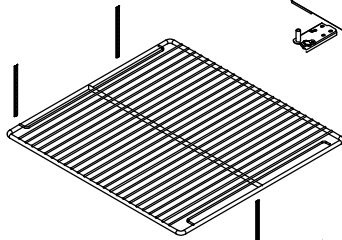
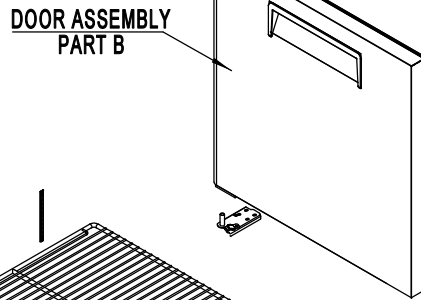
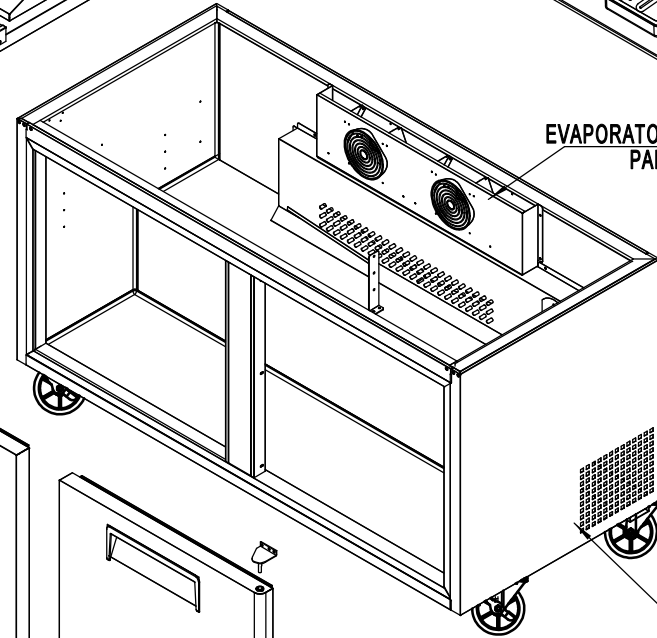
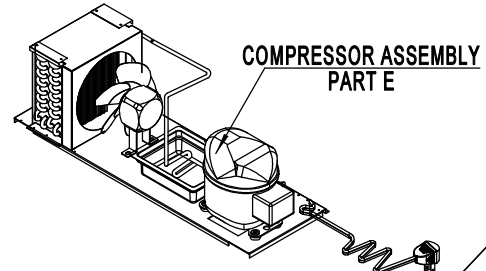
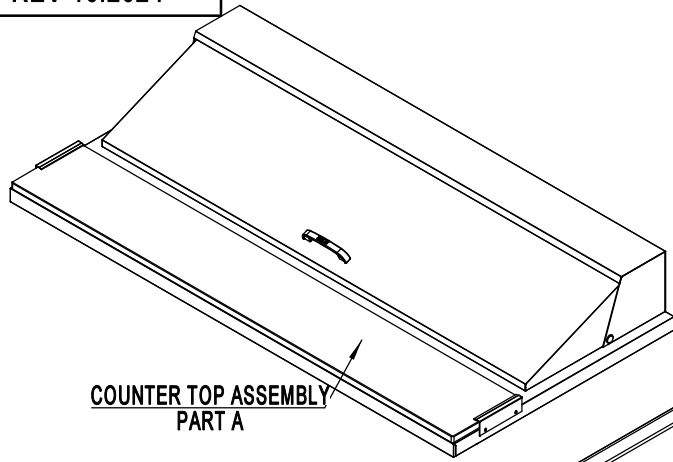
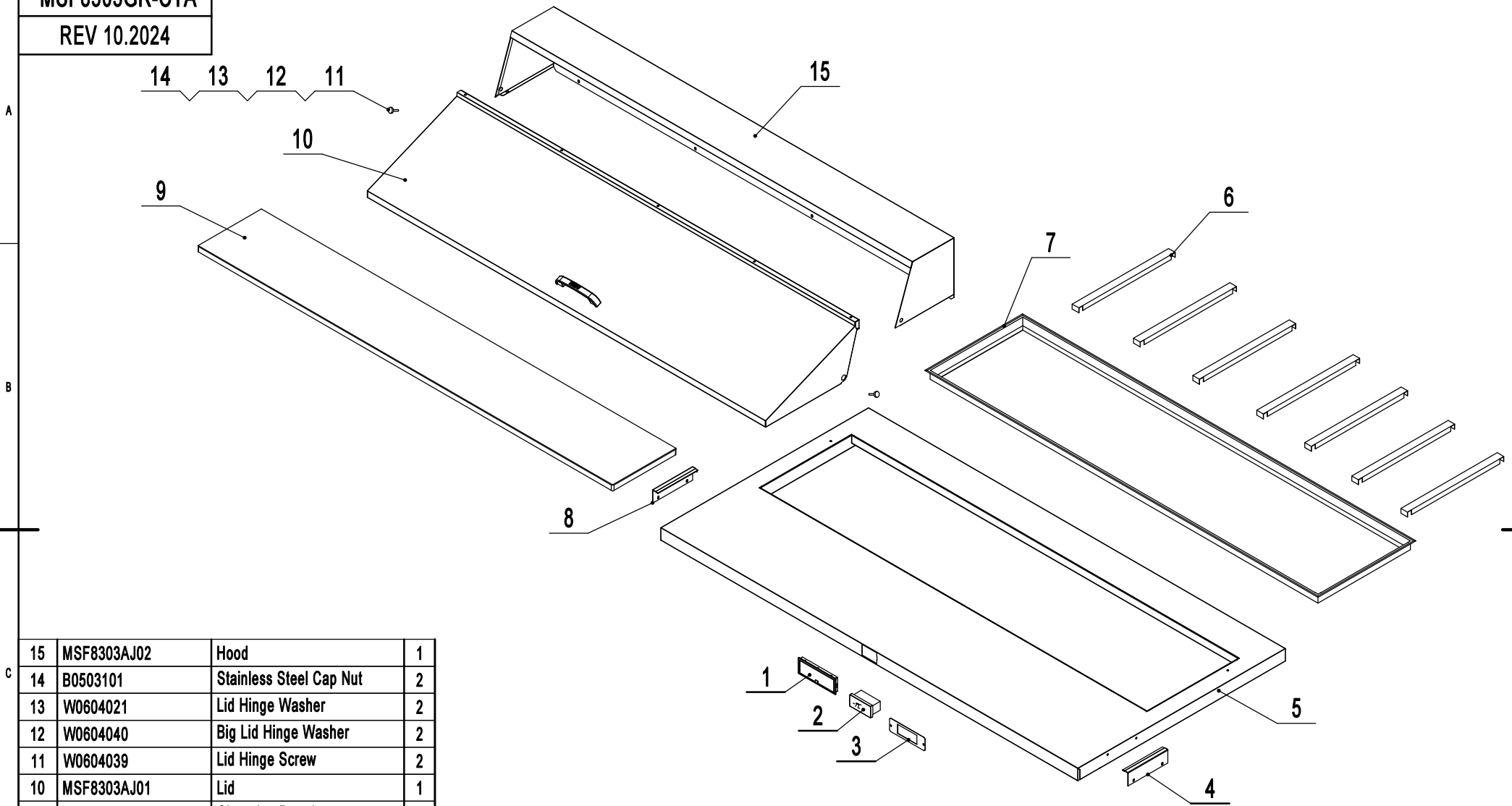


MSF8303GR

REV 10.2024



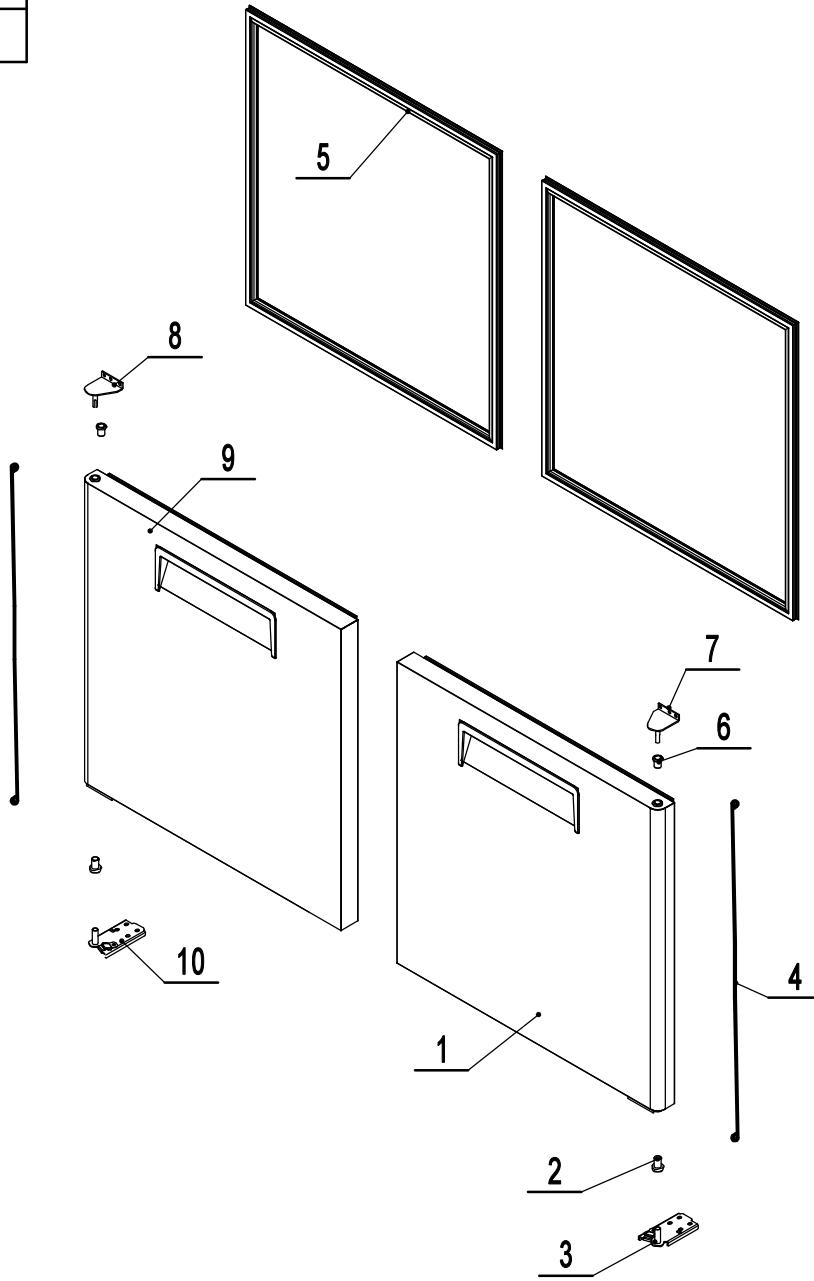
**MSF8303GR-CTA**  
**REV 10.2024**



|            |               |                              |            |
|------------|---------------|------------------------------|------------|
| 15         | MSF8303AJ02   | Hood                         | 1          |
| 14         | B0503101      | Stainless Steel Cap Nut      | 2          |
| 13         | W0604021      | Lid Hinge Washer             | 2          |
| 12         | W0604040      | Big Lid Hinge Washer         | 2          |
| 11         | W0604039      | Lid Hinge Screw              | 2          |
| 10         | MSF8303AJ01   | Lid                          | 1          |
| 9          | W0499201      | Chopping Board               | 1          |
| 8          | 83022702      | Left Chopping Board Bracket  | 1          |
| 7          | MSF8303AI02   | Pan Frame Support            | 1          |
| 6          | 83022202      | Pan Divided Bar              | 7          |
| 5          | MSF8303FF01   | Counter Top Assembly         | 1          |
| 4          | 83022703      | Right Chopping Board Bracket | 1          |
| 3          | 83032302      | Controller Bracket           | 1          |
| 2          | W0302024      | Controller Display           | 1          |
| 1          | W0409878      | Controller Cover             | 1          |
| <b>No.</b> | <b>Part #</b> | <b>Part Name</b>             | <b>Qty</b> |

MGF8303GR-DA

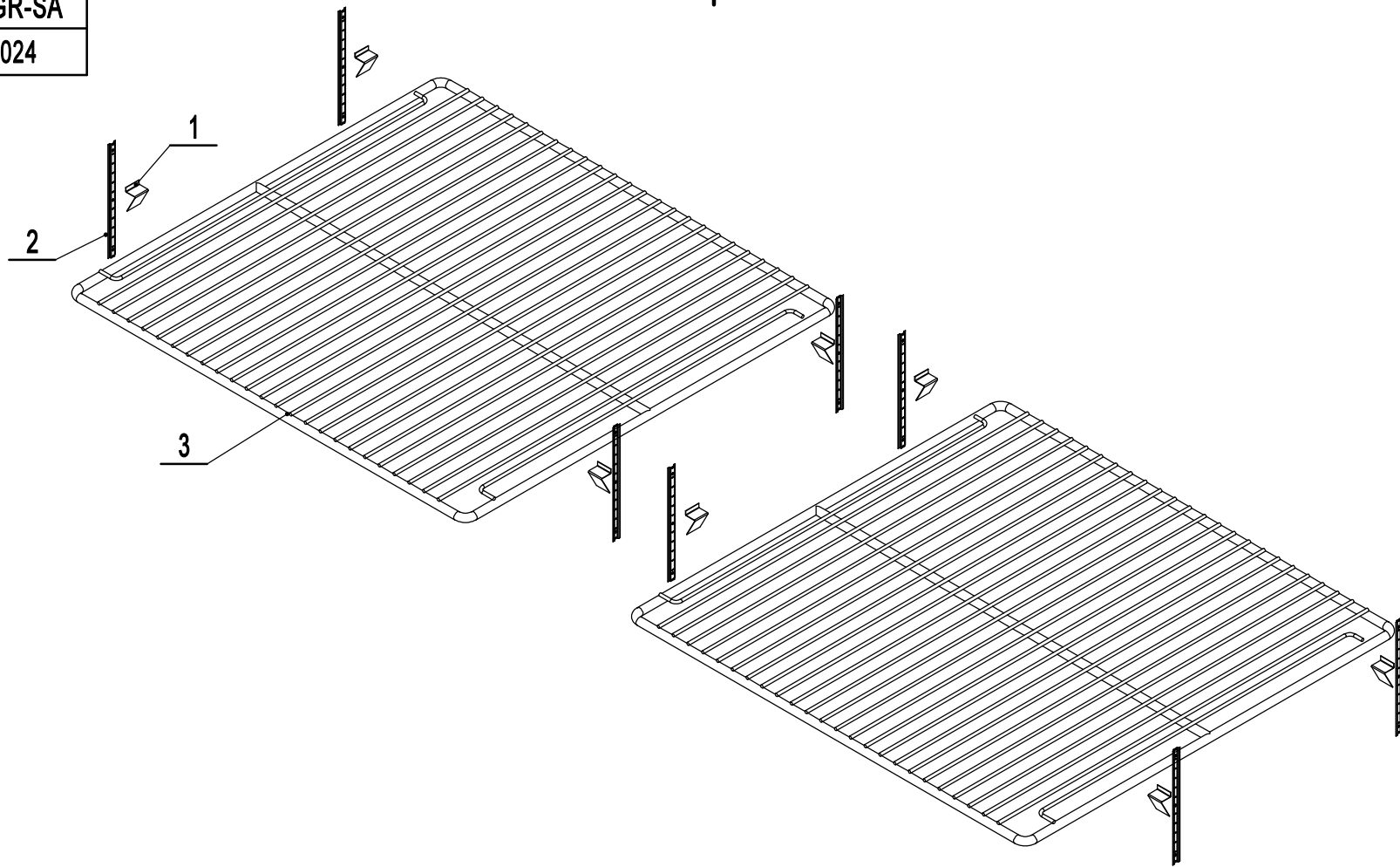
REV 10.2024



| 10  | W0604029    | Bottom Left Hinge        | 1   |
|-----|-------------|--------------------------|-----|
| 9   | MSF8303FC01 | Left Door Assembly       | 1   |
| 8   | W0604027    | Top Left Hinge           | 1   |
| 7   | W0604026    | Top Right Hinge          | 1   |
| 6   | W0409845    | Top Door Shaft Sleeve    | 2   |
| 5   | W0404519    | Door Gasket              | 2   |
| 4   | W0604922    | Door Spring Bar          | 2   |
| 3   | W0604028    | Bottom Right Hinge       | 1   |
| 2   | W0409843    | Bottom Door Shaft Sleeve | 2   |
| 1   | MSF8303FC02 | Right Door Assembly      | 1   |
| No. | Part #      | Part Name                | Qty |

MGF8303GR-SA

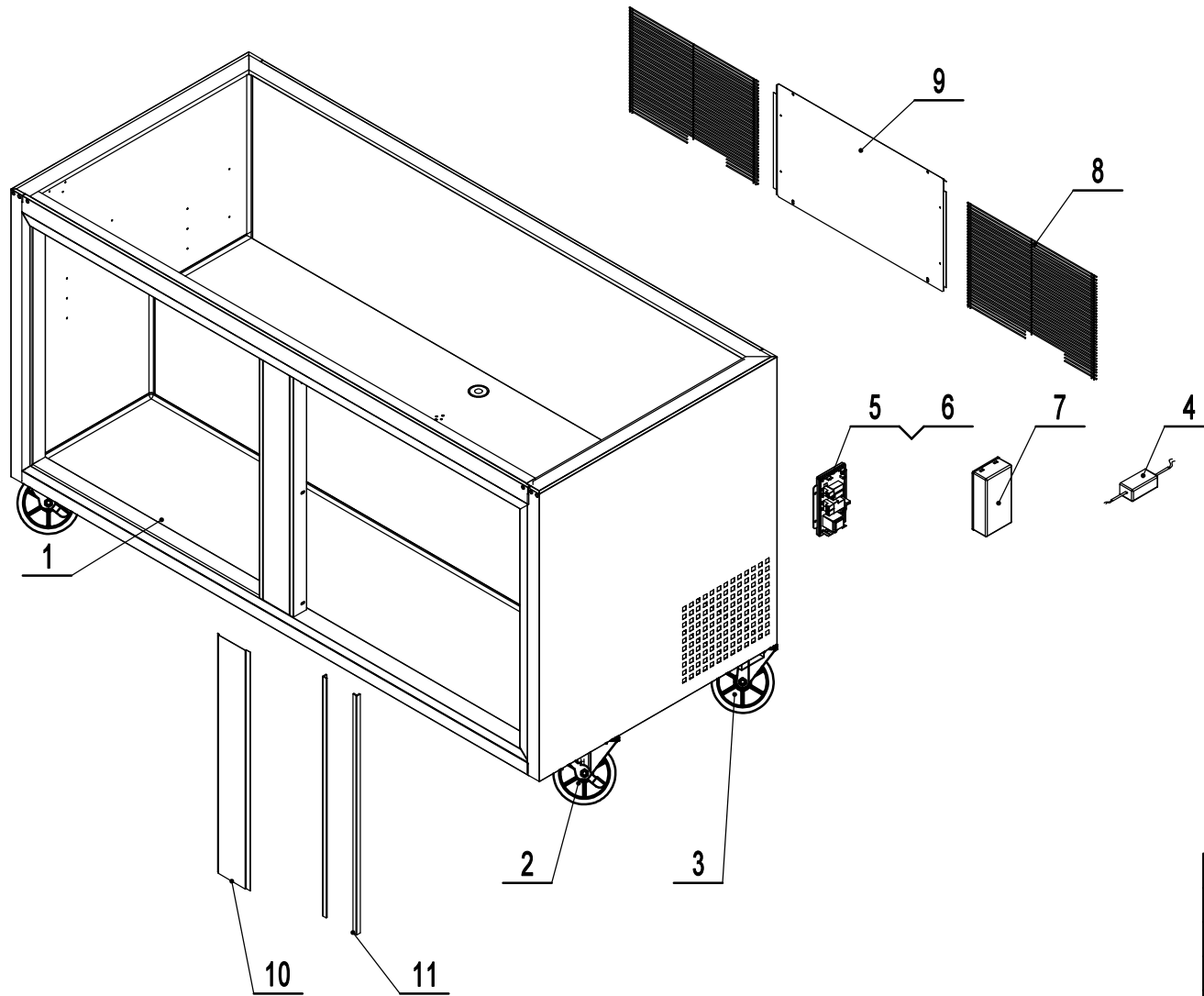
REV 10.2024



|            |               |                        |            |
|------------|---------------|------------------------|------------|
| 3          | W0402569      | Shelf, 27-5/8 x 17-5/8 | 2          |
| 2          | 24432012      | Shelf Pilaster         | 8          |
| 1          | 66490313      | Shelf Clip             | 8          |
| <b>No.</b> | <b>Part #</b> | <b>Part Name</b>       | <b>Qty</b> |

MSF8303GR-CA

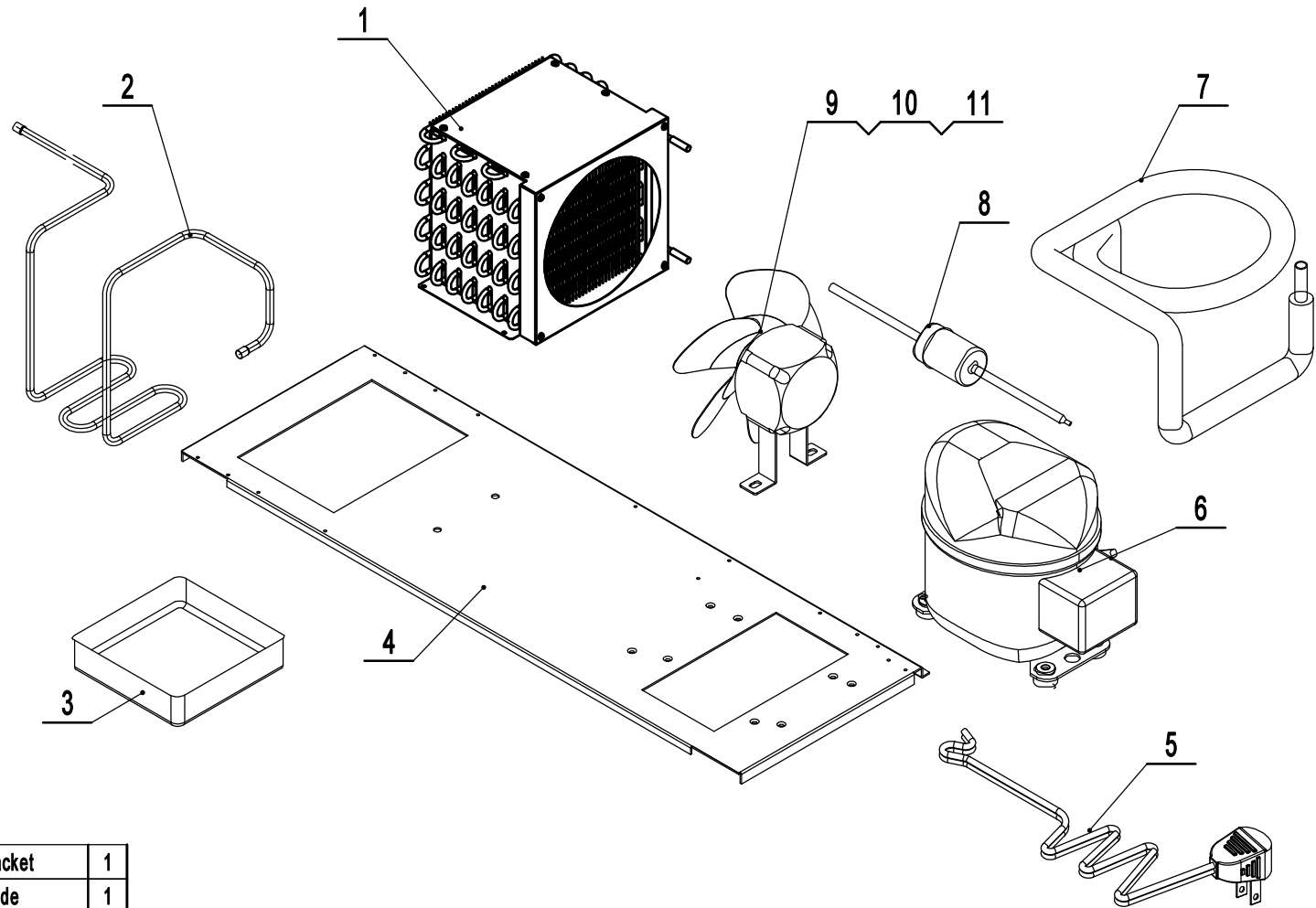
REV 10.2024



| 11  | W0406117    | Middle Mullion Grille       | 2   |
|-----|-------------|-----------------------------|-----|
| 10  | 83031201    | Mullion Front Cover         | 1   |
| 9   | 83021908    | Back Cover                  | 1   |
| 8   | W0402611    | Back Barrier                | 2   |
| 7   | W0409028    | Controller Box Cover        | 1   |
| 6   | W0302017    | Digital Controller          | 1   |
| 5   | W0409027    | Controller Box              | 1   |
| 4   | W0399112    | Power Supply/Transformer    | 1   |
| 3   | B0604006    | 5" M14 Stem Caster          | 2   |
| 2   | B0604007    | 5" M14 Stem Caster W/ Brake | 2   |
| 1   | MSF8303FA01 | Cabinet Assembly            | 1   |
| No. | Part #      | Part Name                   | Qty |

MSF8303GR-CCA

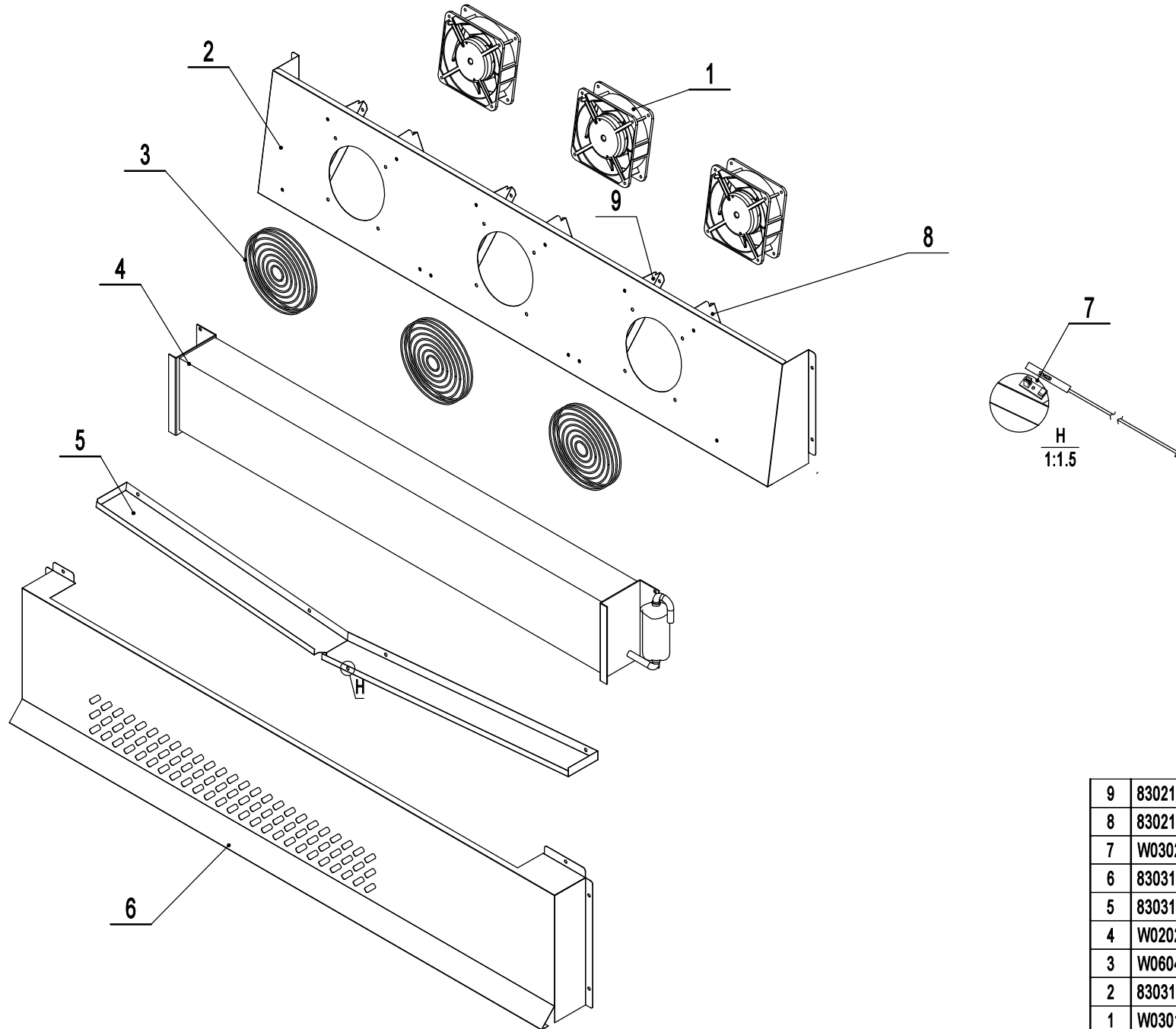
REV 10.2024



|            |               |                       |            |
|------------|---------------|-----------------------|------------|
| 11         | W0604079      | Condenser Fan Bracket | 1          |
| 10         | W0301060      | Condenser Fan Blade   | 1          |
| 9          | W0301905      | Condenser Fan Motor   | 1          |
| 8          | W0204003      | Filter Drier          | 1          |
| 7          | W0210576      | Suction Tube B        | 1          |
| 6          | W0201164      | Compressor            | 1          |
| 5          | W0305134      | Power Cord            | 1          |
| 4          | 83022105      | Condensing Unit Board | 1          |
| 3          | W0411206      | Condenser Drain Pan   | 1          |
| 2          | W0210591      | Discharge Tube        | 1          |
| 1          | W0203066      | Condenser             | 1          |
| <b>No.</b> | <b>Part #</b> | <b>Part Name</b>      | <b>Qty</b> |

MSF8303GR-EA

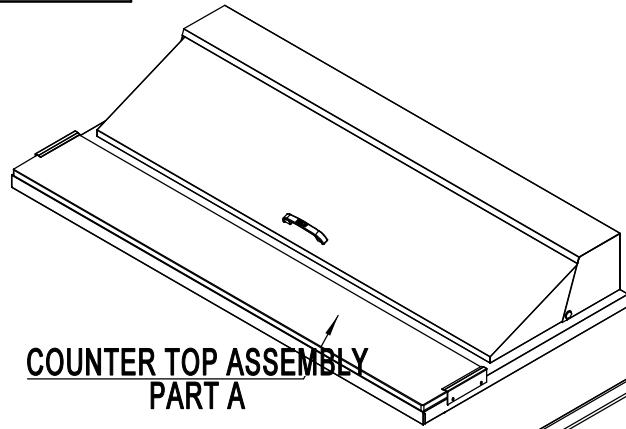
REV 10.2024



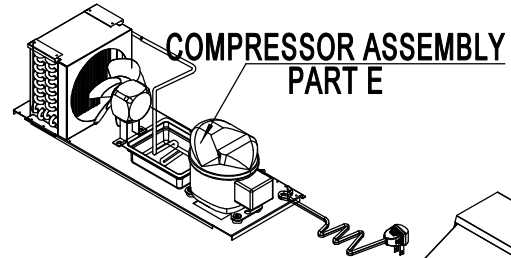
|            |               |                          |            |
|------------|---------------|--------------------------|------------|
| 9          | 83021306      | Evap Left Air Deflector  | 3          |
| 8          | 83021307      | Evap Right Air Deflector | 3          |
| 7          | W0302316      | Room Temp White Probe    | 1          |
| 6          | 83031304      | Evap Cover               | 1          |
| 5          | 83031305      | Evap Drain Pan           | 1          |
| 4          | W0202131      | Evaporator               | 1          |
| 3          | W0604065      | Evap Fan Guard           | 3          |
| 2          | 83031303      | Evap Fan Shroud          | 1          |
| 1          | W0301101      | Evap Motor               | 3          |
| <b>No.</b> | <b>Part #</b> | <b>Part Name</b>         | <b>Qty</b> |

MSF8303GR

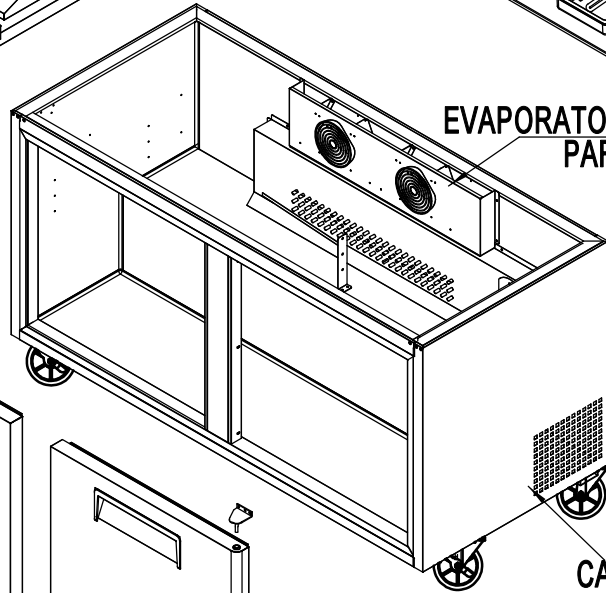
After 2023.05



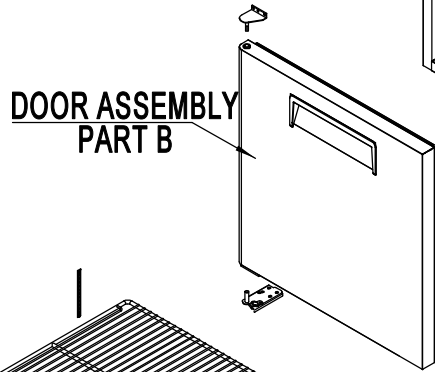
COUNTER TOP ASSEMBLY  
PART A



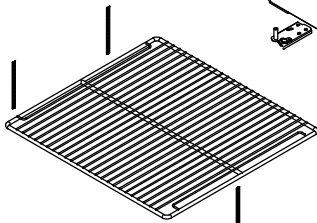
COMPRESSOR ASSEMBLY  
PART E



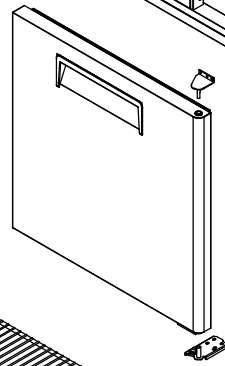
EVAPORATOR ASSEMBLY  
PART F



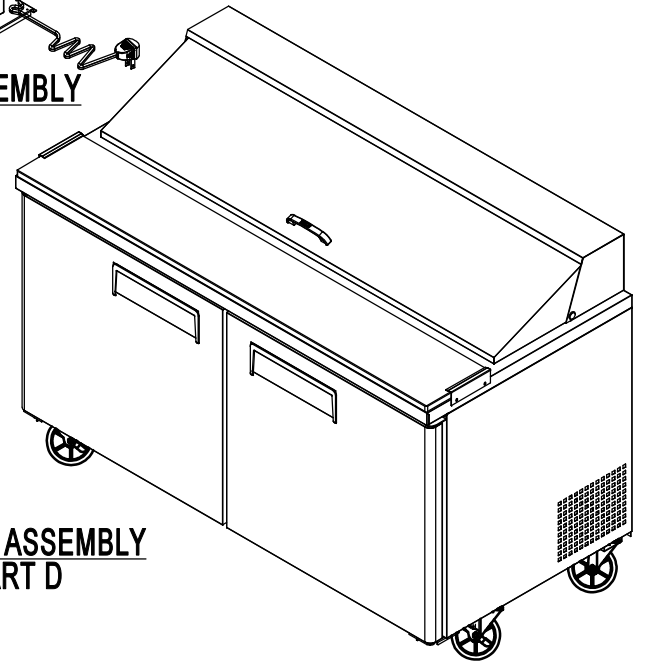
DOOR ASSEMBLY  
PART B



SHELF ASSEMBLY  
PART C

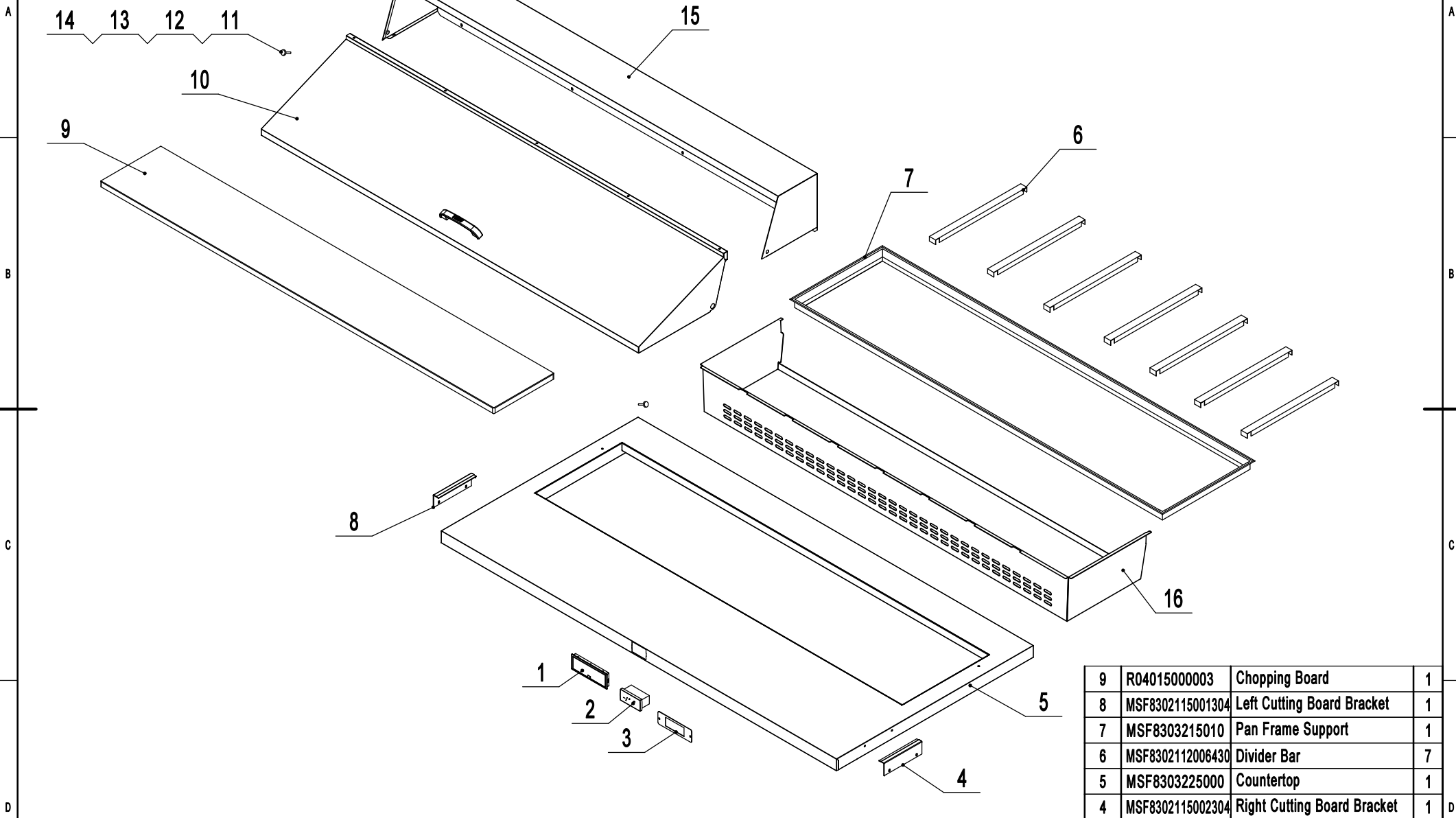


CABINET ASSEMBLY  
PART D



**PART A**

2025.2.11



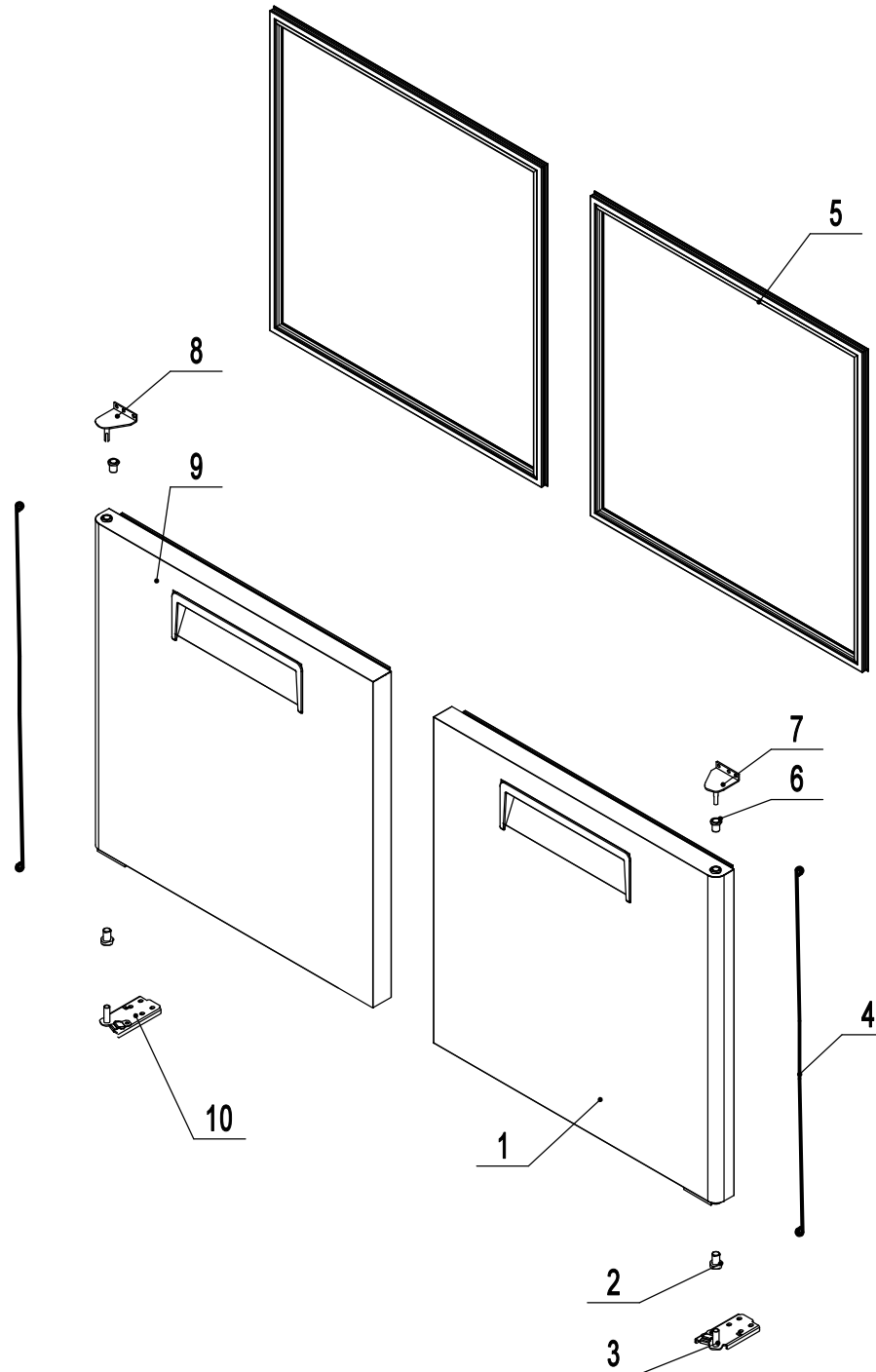
|    |                  |           |   |
|----|------------------|-----------|---|
| 16 | MSF8302112006430 | Pan Liner | 1 |
| 15 | MSF8302215000    | Hood      | 1 |
| 14 | R05003000005     | Cap Nut   | 2 |

|    |               |                        |   |
|----|---------------|------------------------|---|
| 13 | R06007000038  | Lid Hinge Washer       | 2 |
| 12 | R06007000053  | Lid Hinge Large Washer | 2 |
| 11 | R06007000052  | Lid Hinge Screw        | 2 |
| 10 | MSF8303234010 | Lid                    | 2 |

|     |                  |                             |     |
|-----|------------------|-----------------------------|-----|
| 9   | R04015000003     | Chopping Board              | 1   |
| 8   | MSF8302115001304 | Left Cutting Board Bracket  | 1   |
| 7   | MSF8303215010    | Pan Frame Support           | 1   |
| 6   | MSF8302112006430 | Divider Bar                 | 7   |
| 5   | MSF8303225000    | Countertop                  | 1   |
| 4   | MSF8302115002304 | Right Cutting Board Bracket | 1   |
| 3   | MSF8303112005430 | Controller Bracket          | 1   |
| 2   | R03018000002     | Controller Display          | 1   |
| 1   | R04011000113     | Controller Cover            | 1   |
| No. | Part#            | Part Name                   | Qty |

PART B

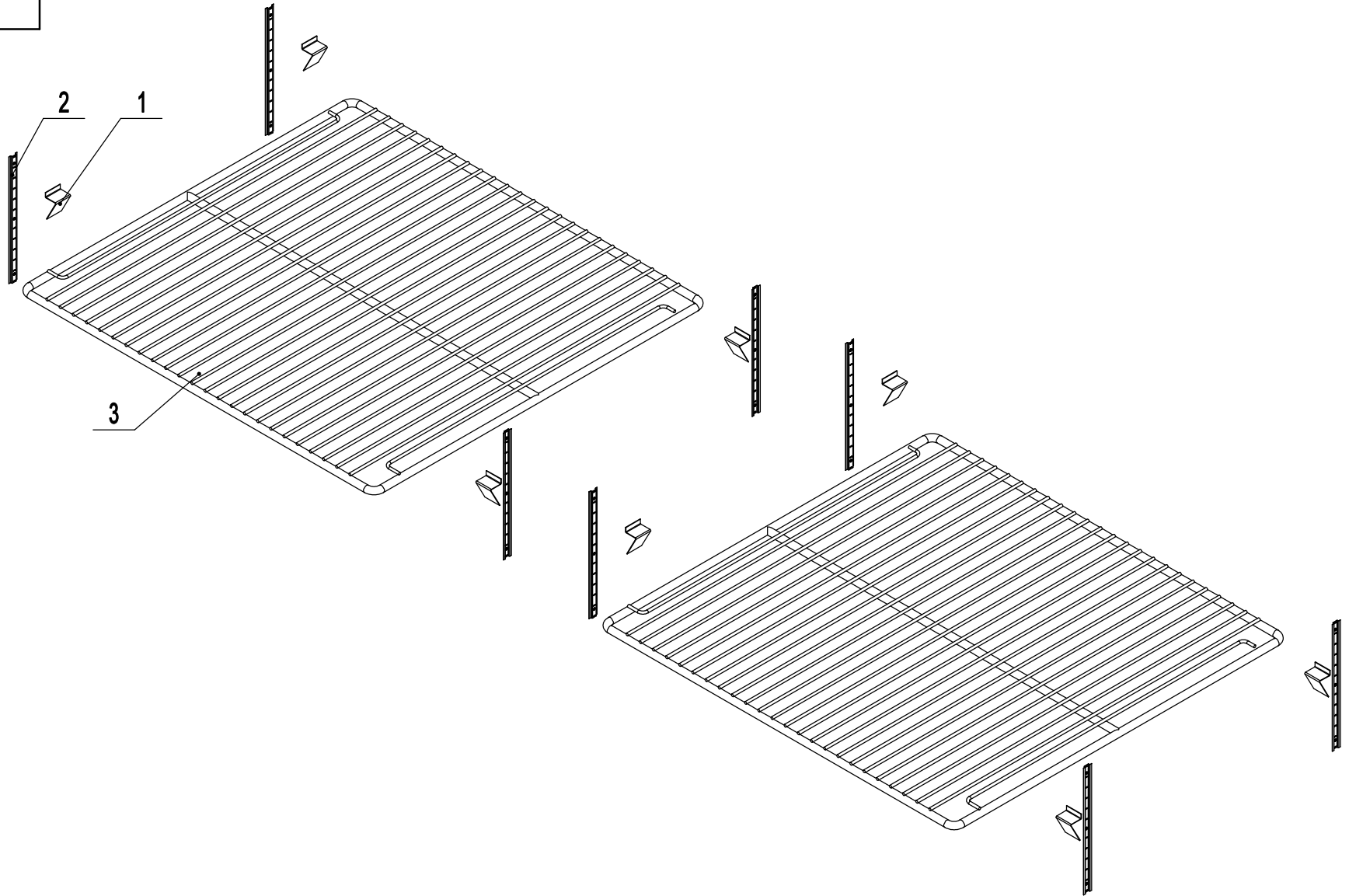
2025.2.11



| 10  | R06007000046  | Bottom Left Hinge        | 1   |
|-----|---------------|--------------------------|-----|
| 9   | MGF8403221000 | Left Door Assembly       | 1   |
| 8   | R06007000044  | Top Left Hinge           | 1   |
| 7   | R06007000043  | Top Right Hinge          | 1   |
| 6   | R04011000091  | Top Door Shaft Sleeve    | 2   |
| 5   | R04003000047  | Door Gasket              | 2   |
| 4   | R06007000086  | Door Spring Bar          | 2   |
| 3   | R06007000045  | Bottom Right Hinge       | 1   |
| 2   | R04011000089  | Bottom Door Shaft Sleeve | 2   |
| 1   | MGF8403221010 | Right Door Assembly      | 1   |
| No. | Part#         | Part Name                | Qty |

PART C

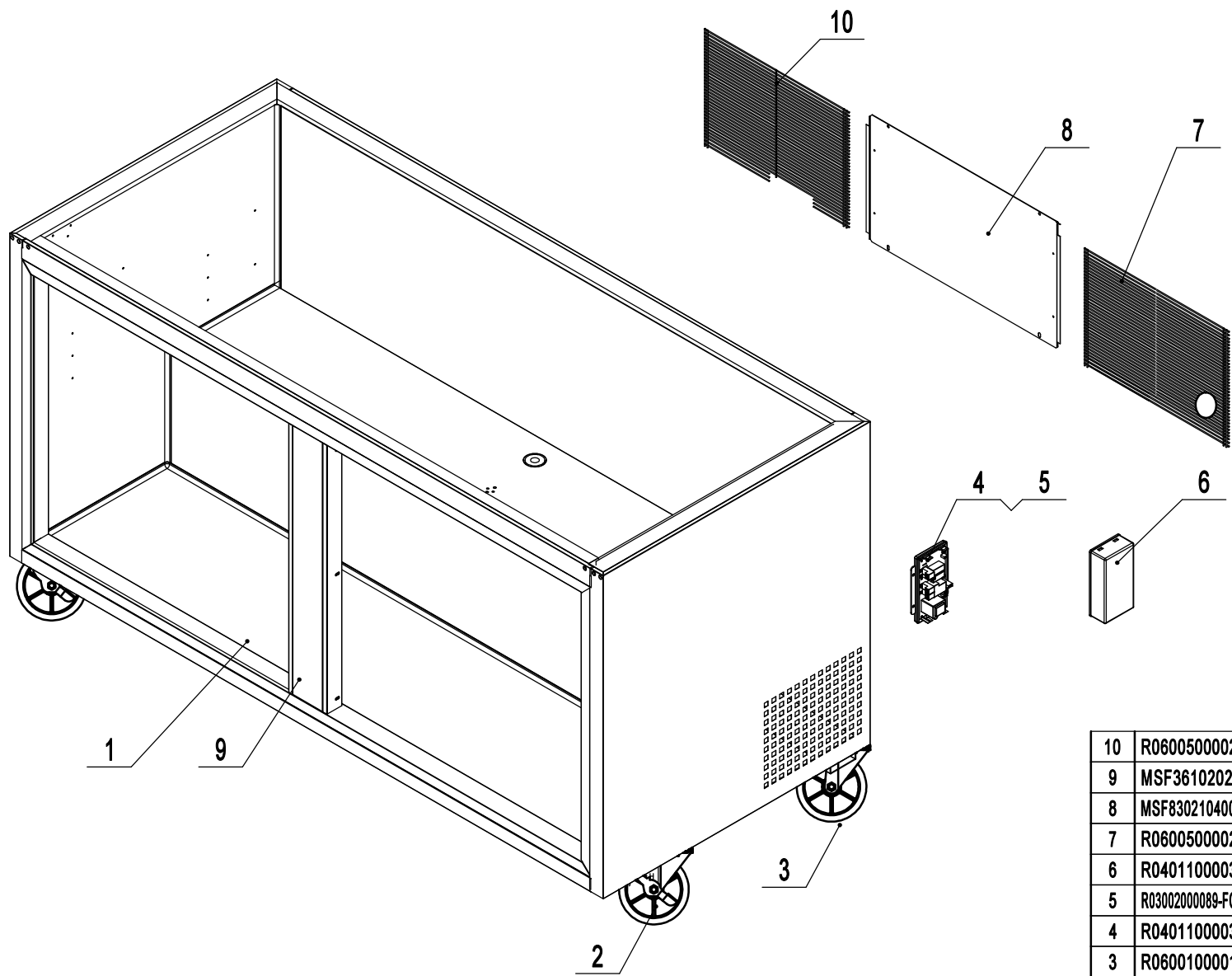
2025.2.10



| 3   | R06004000057     | Shelf          | 2   |
|-----|------------------|----------------|-----|
| 2   | QPL6749115001430 | Shelf Pilaster | 8   |
| 1   | QPL6649115001410 | Shelf Clip     | 8   |
| No. | Part#            | Part Name      | Qty |

PART D

2025.2.11



| 10  | R0600500022         | Back Barrier              | 1   |
|-----|---------------------|---------------------------|-----|
| 9   | MSF3610202000       | Mullion                   | 1   |
| 8   | MSF8302104007500    | Back Cover                | 1   |
| 7   | R0600500021         | Back Barrier              | 1   |
| 6   | R04011000037        | Controller Box Cover      | 1   |
| 5   | R03002000089-FCAZN2 | Digital Controller        | 1   |
| 4   | R04011000036        | Controller Box            | 1   |
| 3   | R06001000015        | 3" Plate Caster W/O Brake | 2   |
| 2   | R06001000016        | 3" Plate Caster W/ Brake  | 2   |
| 1   | MSF8303206051       | Cabinet Assembly          | 1   |
| No. | Part#               | Part Name                 | Qty |

PART E

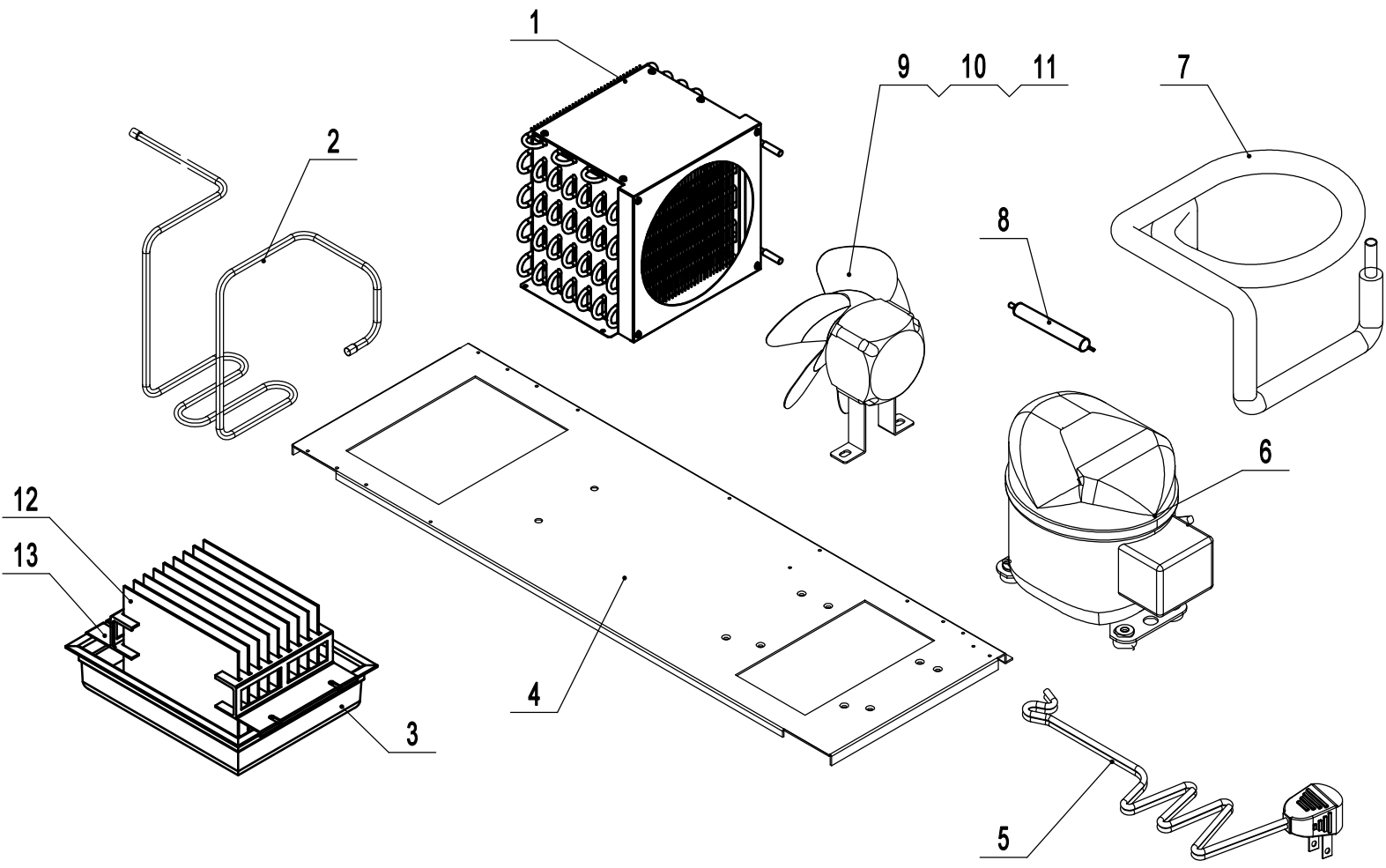
2025.2.11

A

B

C

D



|    |              |                       |   |
|----|--------------|-----------------------|---|
| 13 | R04011000499 | Wicking Paper Bracket | 2 |
| 12 | R04099000011 | Wicking Paper         | 9 |
| 11 | R06099000057 | Fan Motor Bracket     | 1 |
| 10 | R03000000013 | Evap Fan Blade        | 1 |
| 9  | R03001000100 | Condenser Fan Motor   | 1 |
| 8  | R02014000001 | Filter Drier          | 1 |
| 7  | R02015000180 | Suction Tube B        | 1 |
| 6  | R02000000008 | Compressor            | 1 |

| No. | Part#            | Part Name             | Qty |
|-----|------------------|-----------------------|-----|
| 5   | R03005000012     | Power Cord            | 1   |
| 4   | MSF8302113007500 | Condensing Unit Board | 1   |
| 3   | MSF8302103003201 | Evap Drain Pan        | 1   |
| 2   | R02015000192     | Discharge Tube        | 1   |
| 1   | R02005000014     | Condenser             | 1   |

1

2

3

4

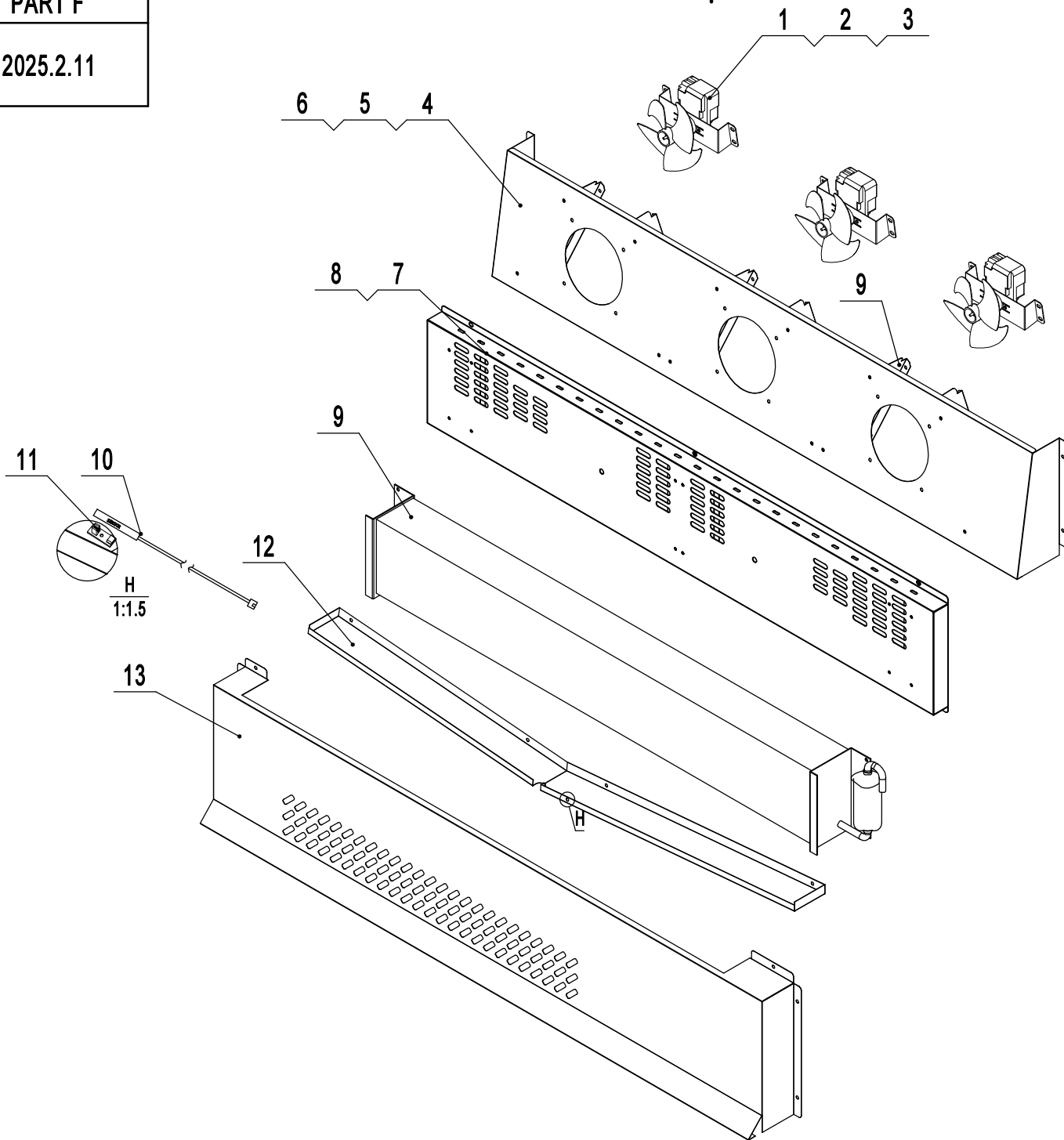
5

6

D

PART F

2025.2.11



|     |                  |                          |     |
|-----|------------------|--------------------------|-----|
| 13  | MSF8303104002430 | Evap Cover               | 1   |
| 12  | MSF8303104003430 | Evaporator Drain Pan     | 1   |
| 11  | R04011000080     | Probe Clip               | 1   |
| 10  | R03019000010     | Room Temp White Probe    | 1   |
| 9   | R02002000039     | Evaporator               | 1   |
| 8   | MSF8308104001430 | Cabinet Air Deflector    | 4   |
| 7   | MSF8307104000430 | Cabinet Air Deflector    | 1   |
| 6   | MSF8302104006430 | Evap Right Air Deflector | 2   |
| 5   | MSF8302104005430 | Evap Left Air Deflector  | 2   |
| 4   | MSF8303104007430 | Evap Fan Shroud          | 1   |
| 3   | MSF3610112004304 | Evap Motor Bracket       | 3   |
| 2   | R03000000001     | Evap Fan Blade           | 3   |
| 1   | R03001000009     | Evap Fan Motor           | 3   |
| No. | Part#            | Part Name                | Qty |