

MSF8308GR

REV 10.2024

COUNTER TOP ASSEMBLY
PART A

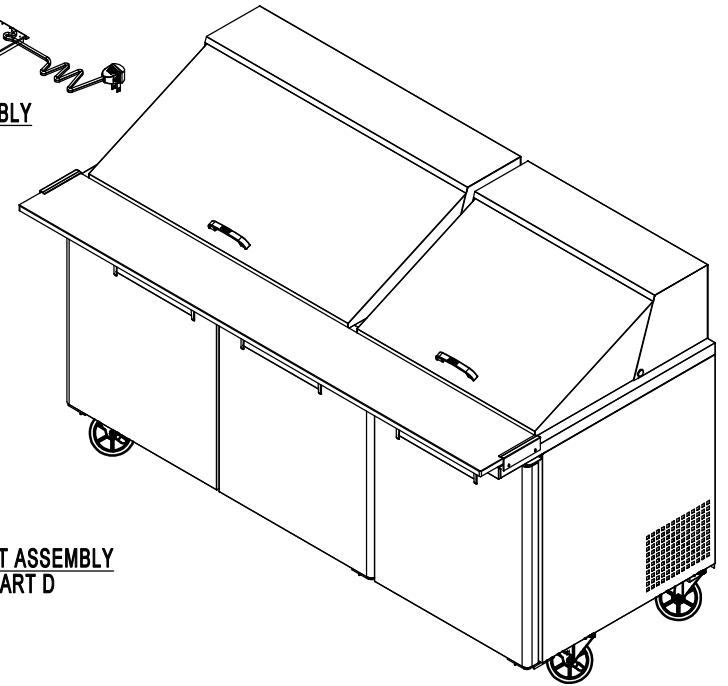
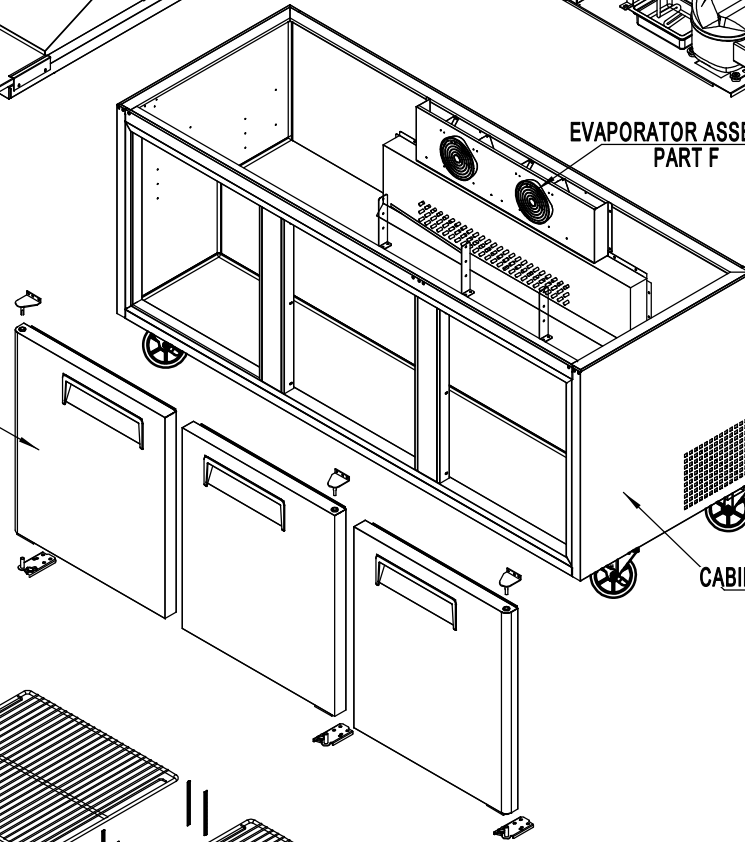
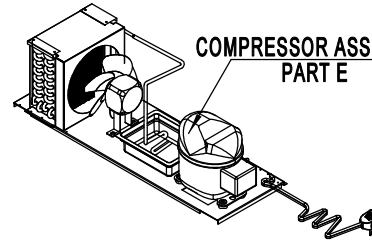
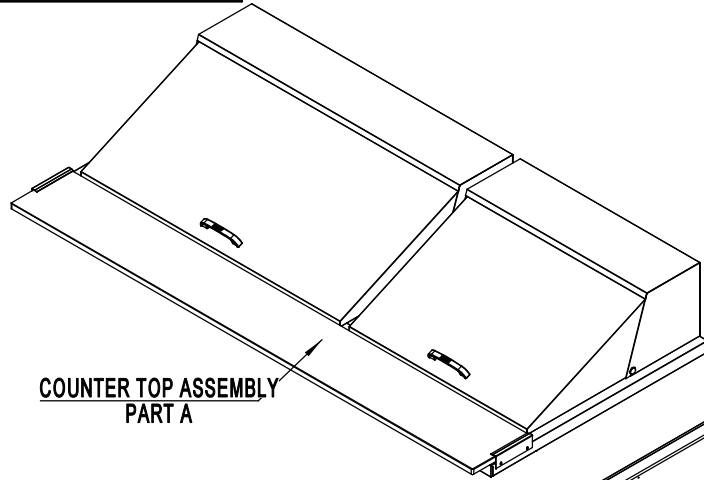
COMPRESSOR ASSEMBLY
PART E

EVAPORATOR ASSEMBLY
PART F

DOOR ASSEMBLY
PART B

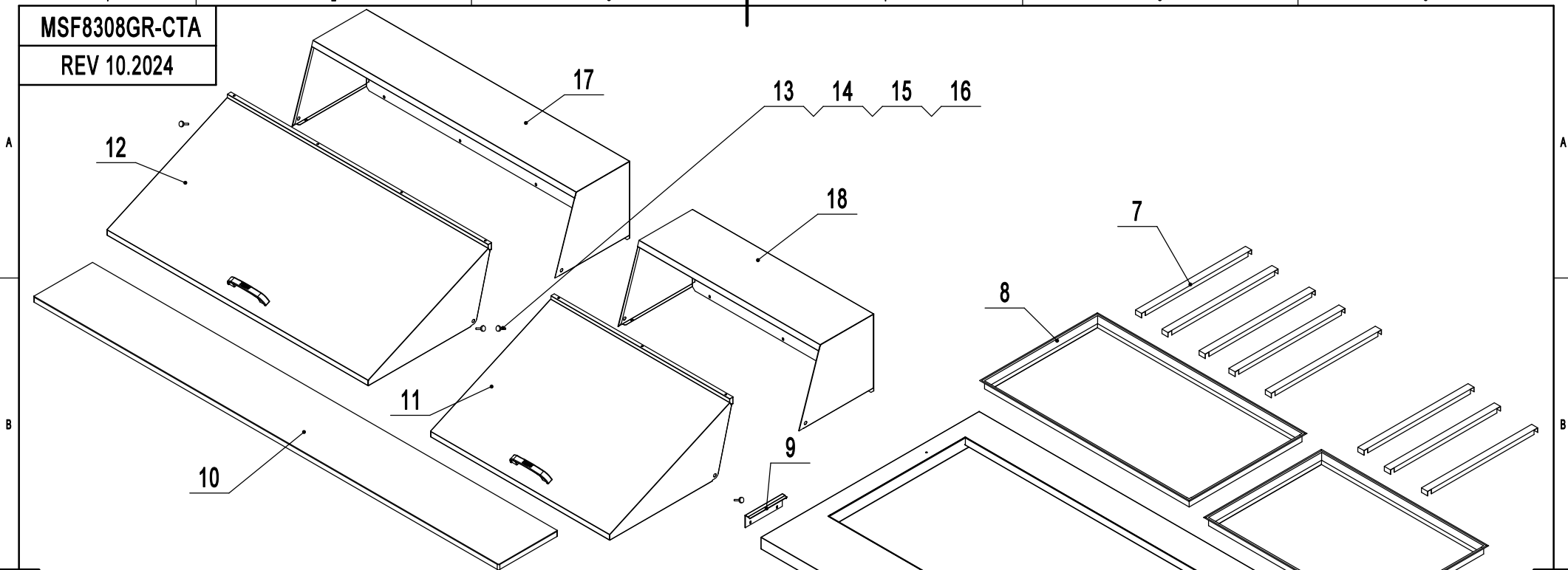
CABINET ASSEMBLY
PART D

SHELF ASSEMBLY
PART C



MSF8308GR-CTA

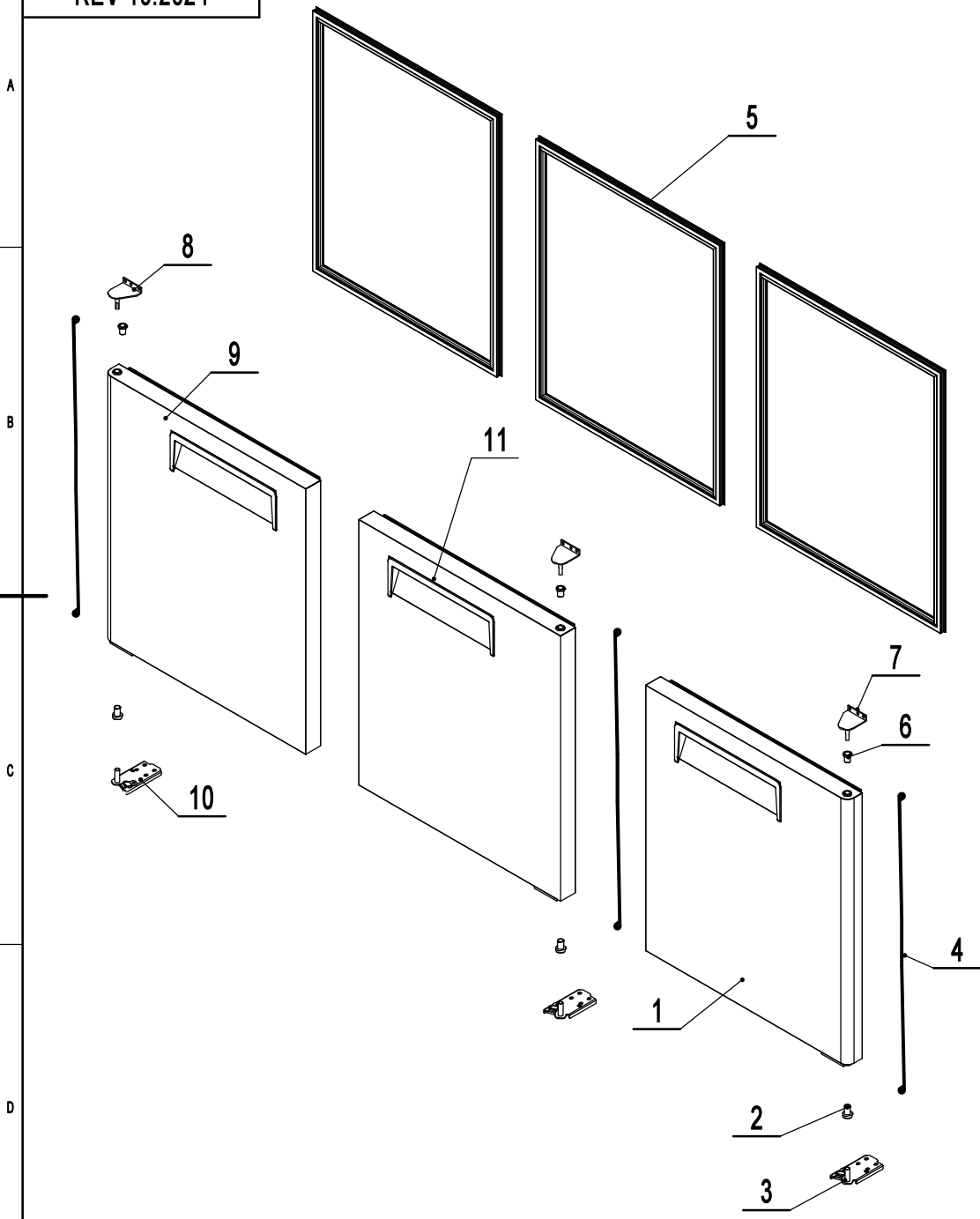
REV 10.2024



18	MSF8307AJ02	Right Hood	1
17	MSF8308AJ01	Left Hood	1
16	B0503101	Stainless Steel Cap Nut	4
15	W0604021	Lid Hinge Washer	4
14	W0604040	Big Lid Hinge Washer	4
13	W0604039	Lid Hinge Screw	4
12	MSF8308AJ02	Left Lid	1
11	MSF8307AJ01	Right Lid	1
10	W0499202	Chopping Board	1
9	83022702	Left Chopping Board Bracket	1
8	MSF8306AI02	Left Pan Frame Support	1
7	83061904	Pan Divided Bar	8
6	MSF8307AI02	Right Pan Frame Support	1
5	MSF8308FF01	Counter Top Assembly	1
4	83022703	Chopping Board Bracket	1
3	83032302	Controller Bracket	1
2	W0302024	Controller Display	1
1	W0409878	Controller Cover	1
No.	Part #	Part Name	Qty

MSF8308GR-DA

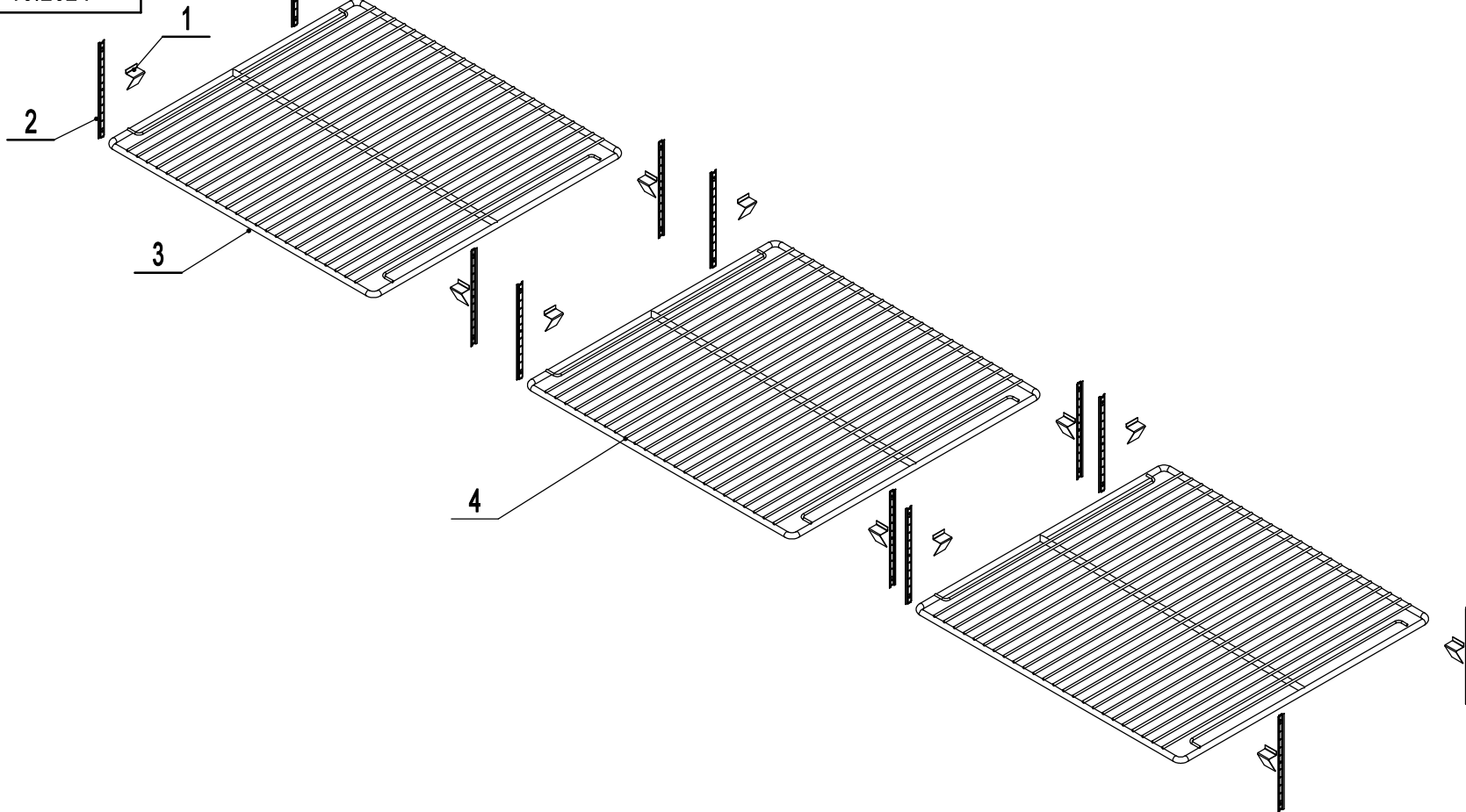
REV 10.2024



11	MSF8304FC02	Middle Door Assembly	1
10	W0604029	Bottom Left Hinge	1
9	MSF8304FC01	Left Door Assembly	1
8	W0604027	Top Left Hinge	1
7	W0604026	Top Right Hinge	2
6	W0409845	Top Door Shaft Sleeve	3
5	W0404520	Door Gasket	3
4	W0604922	Door Spring Bar	3
3	W0604028	Bottom Right Hinge	2
2	W0409843	Bottom Door Shaft Sleeve	3
1	MSF8304FC03	Right Door Assembly	1
No.	Part #	Part Name	Qty

MSF8308GR-SA

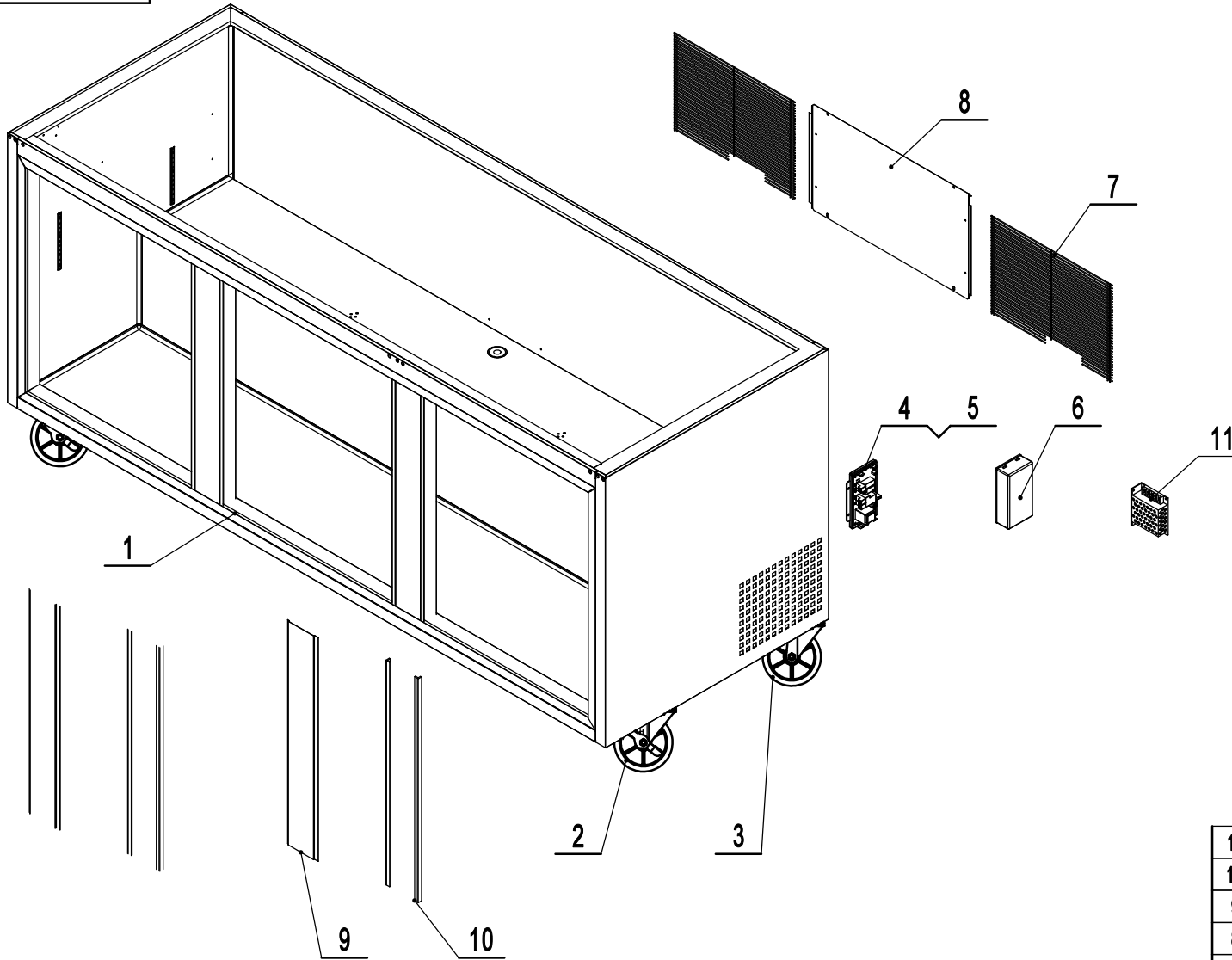
REV 10.2024



4	W0402570	Shelf, Middle, 23-5/8 x 17-5/8	1
3	W0402171	Shelf, 21-1/2 x 17-5/8	2
2	24432012	Shelf Pilaster	12
1	66490313	Shelf Clip	12
No.	Part #	Part Name	Qty

MSF8308GR-CA

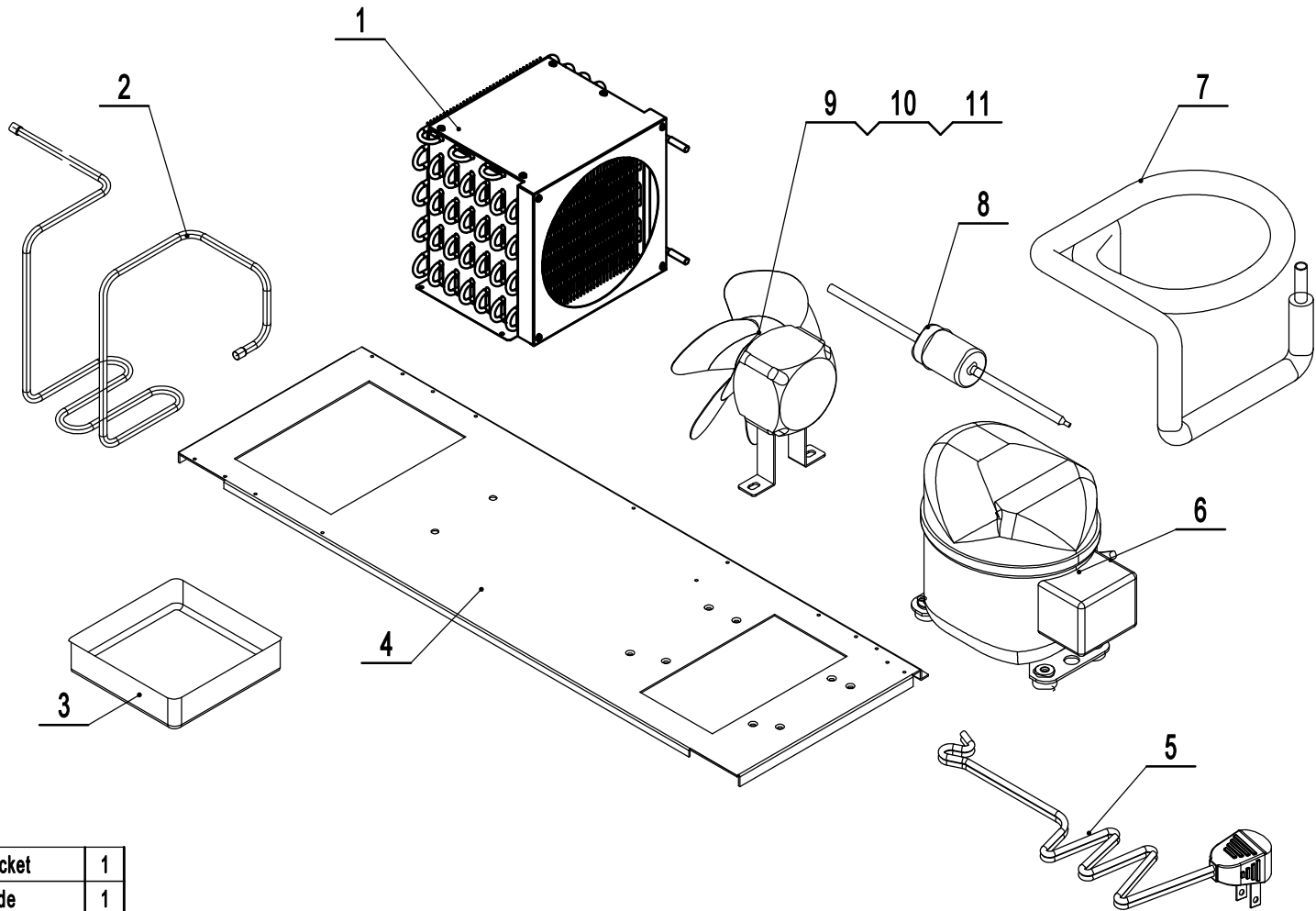
REV 10.2024



11	W0399177	Power Supply/Transformer	1
10	W0406117	Middle Mullion Grille	4
9	83031201	Mullion Front Cover	2
8	83021908	Back Cover	1
7	W0402576	Back Barrier	2
6	W0409028	Controller Box Cover	1
5	W0302017	Digital Controller	1
4	W0409027	Controller Box	1
3	B0604006	5" M14 Stem Caster	2
2	B0604007	5" M14 Stem Caster W/ Brake	2
1	MSF8304FA01	Cabinet Assembly	1
No.	Part #	Part Name	Qty

MSF8308GR-CCA

REV 10.2024

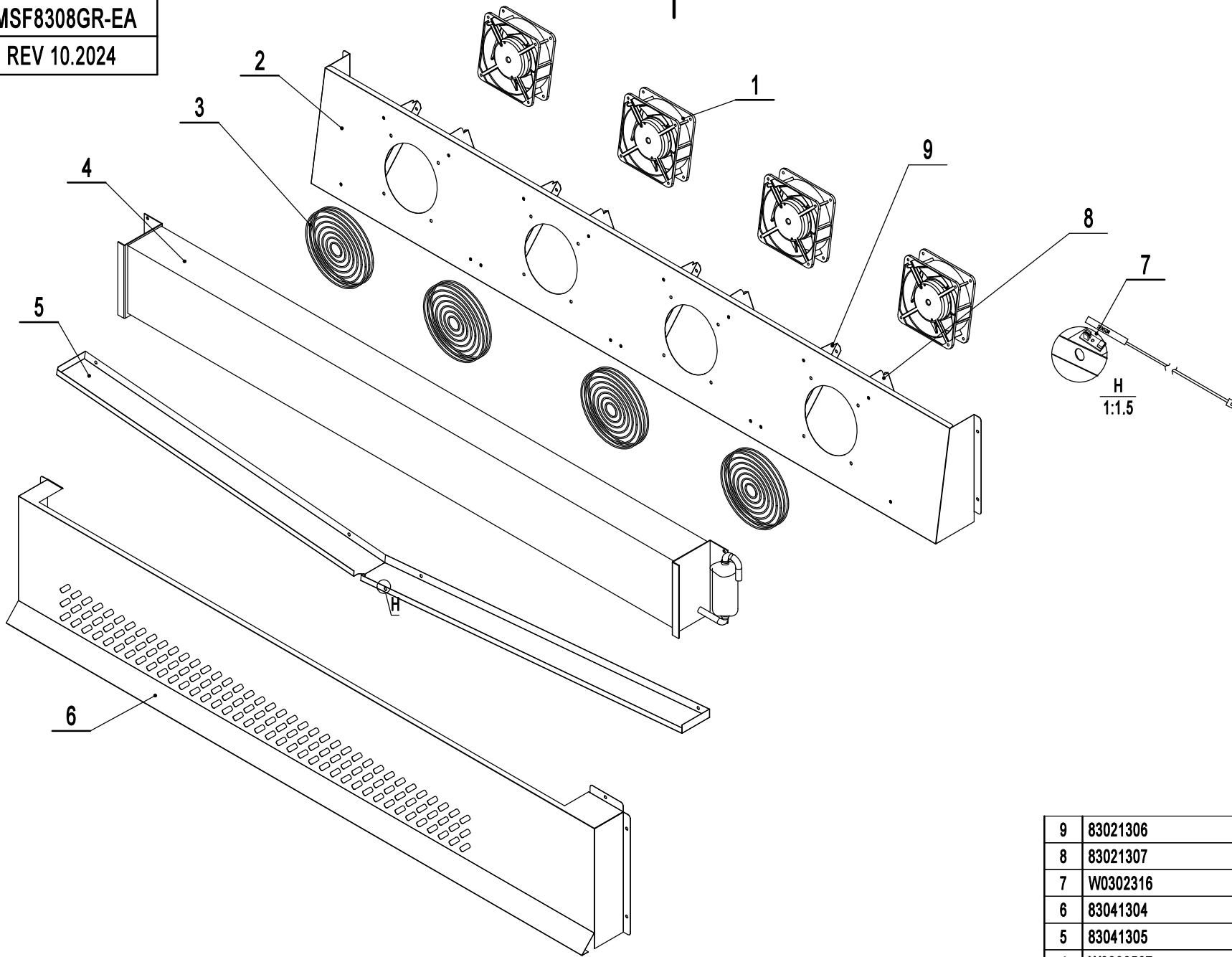


11	W0604079	Condenser Fan Bracket	1
10	W0301060	Condenser Fan Blade	1
9	W0301905	Condenser Fan Motor	1
8	W0204003	Filter Drier	1
7	W0210576	Suction Tube B	1
6	W0201164	Compressor	1
5	W0305134	Power Cord	1
4	83022105	Condensing Unit Board	1
3	W0411206	Condenser Drain Pan	1
2	W0210591	Discharge Tube	1
1	W0203066	Condenser	1

No.	Part #	Part Name	Qty
-----	--------	-----------	-----

MSF8308GR-EA

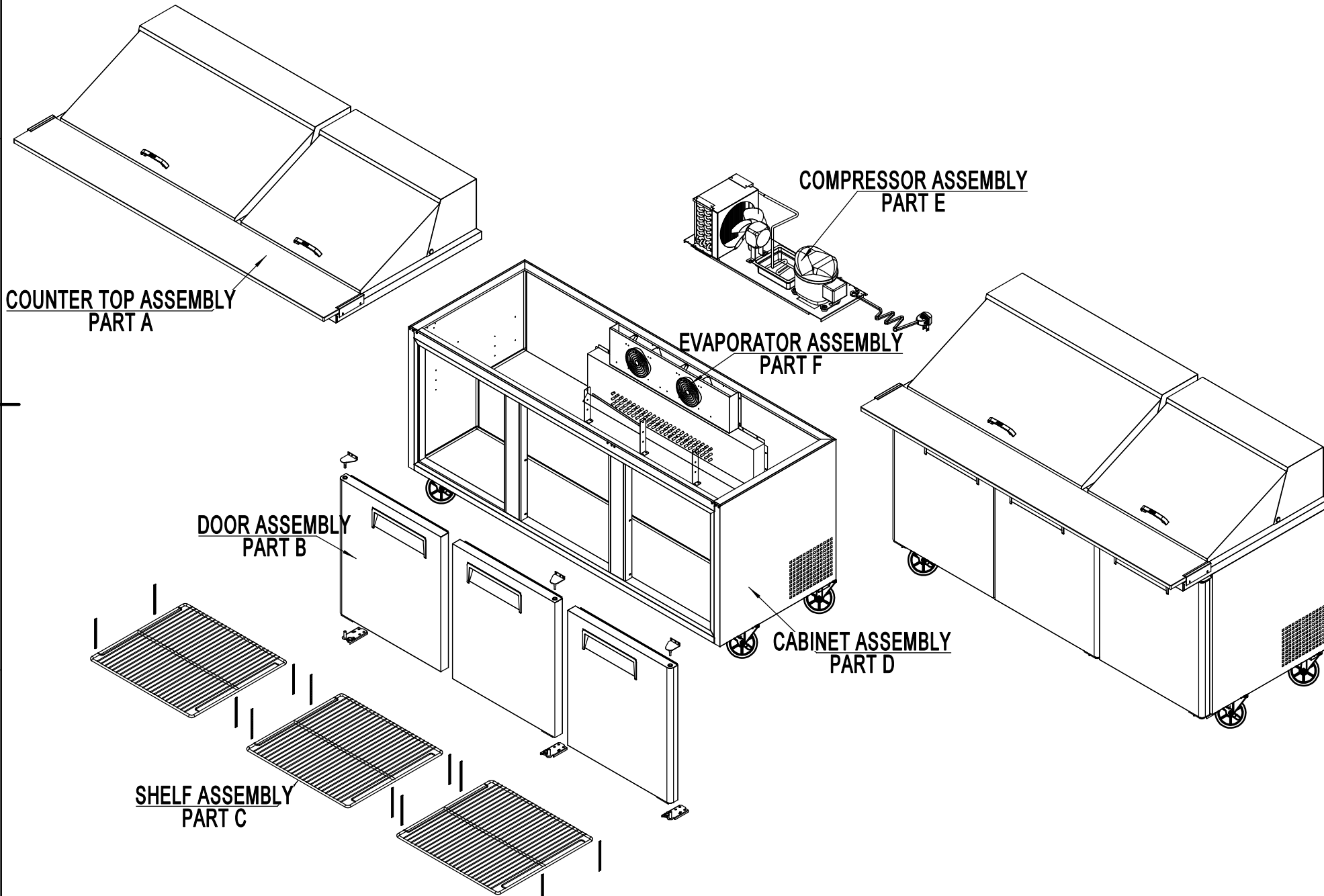
REV 10.2024



9	83021306	Evap Left Air Deflector	4
8	83021307	Evap Right Air Deflector	4
7	W0302316	Room Temp White Probe	1
6	83041304	Evap Cover	1
5	83041305	Evap Drain Pan	1
4	W0202507	Evaporator	1
3	W0604065	Evap Fan Guard	4
2	83041303	Evap Fan Shroud	1
1	W0301101	Evap Motor	4
No.	Part #	Part Name	Qty

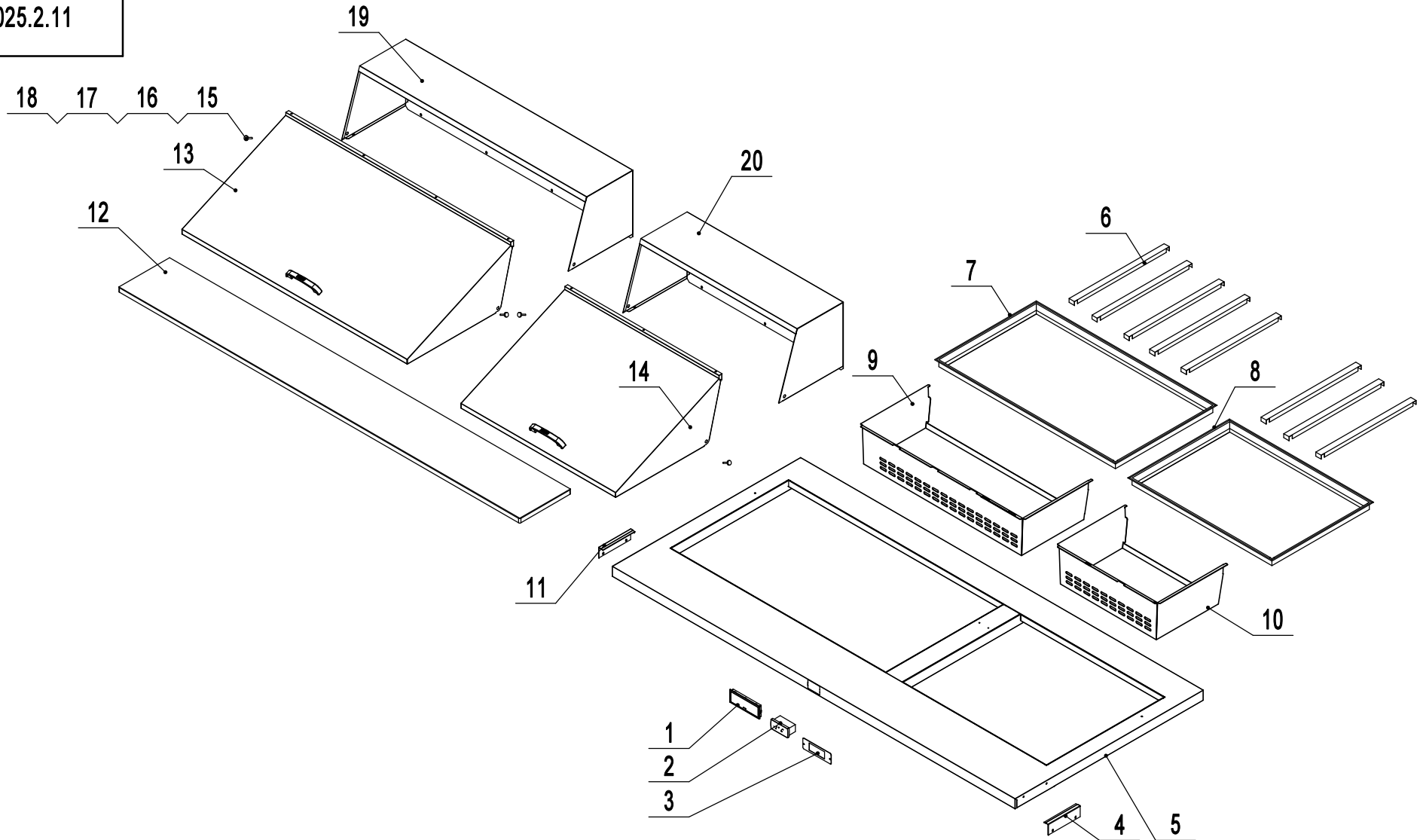
MSF8308GR

After 2023.05



PART A

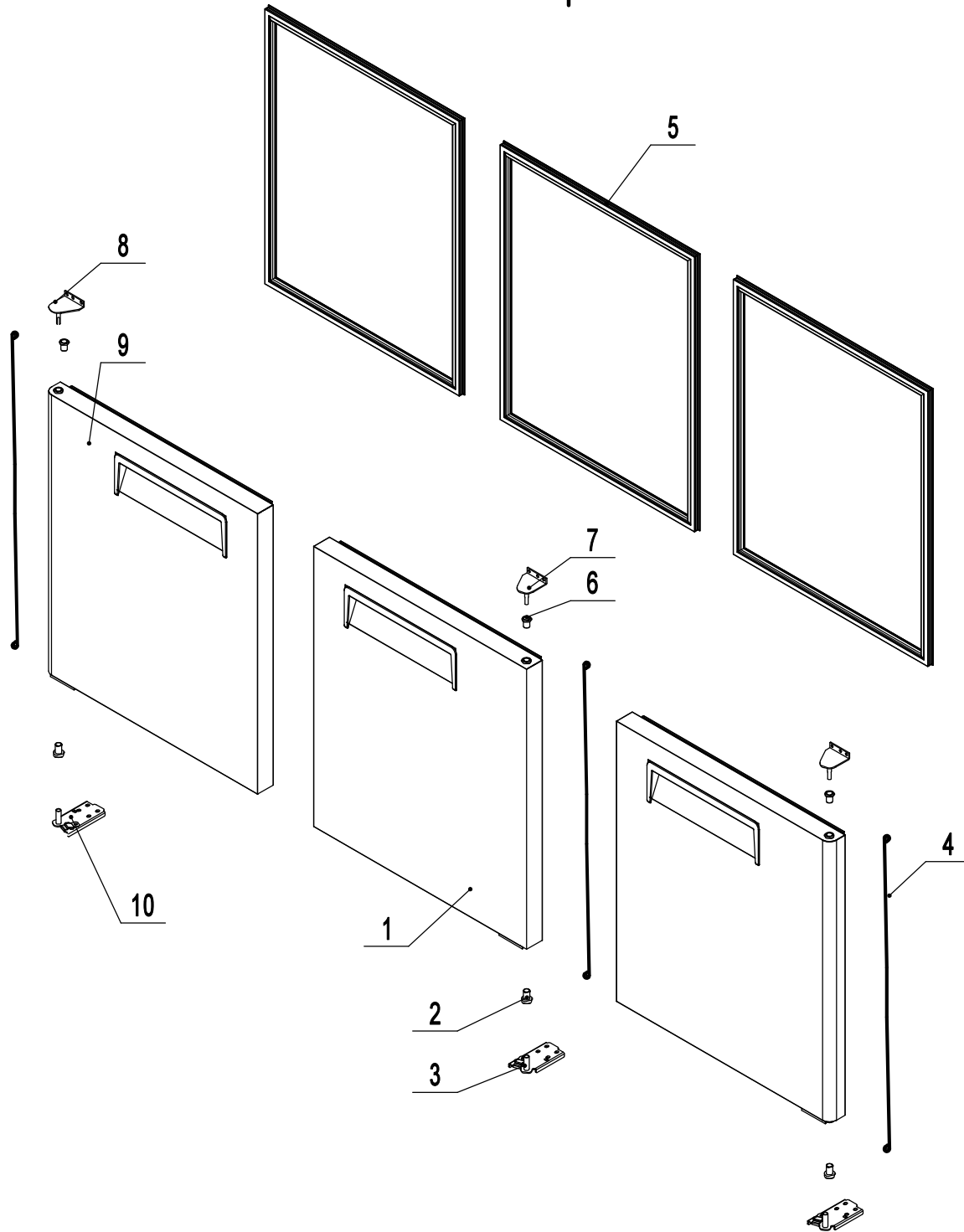
2025.2.11



20	MSF8307234020	Right Hood	1	13	MSF8308234010	Left Lid	1	6	MSF8306112004430	Divider Bar	7
19	MSF8308234000	Left Hood	1	12	R04015000004	Cutting Board	1	5	MSF8308225000	Countertop	1
18	R05003000005	Stainless Steel Cap Nut	4	11	MSF8302115001304	Left Chopping Board Bracket	1	4	MSF8302115002304	Right Chopping Board Bracket	1
17	R06007000038	Lid Hinge Washer	4	10	MSF8307215010	Right Pan Liner	1	3	MSF8303112005430	Controller Bracket	1
16	R06007000053	Big Lid Hinge Washer	4	9	MSF8308215000	Left Pan Liner	1	2	R03018000002	Controller Display	1
15	R06007000052	Lid Hinge Screw	4	8	MSF8307215000	Right Pan Frame Support	1	1	R04011000113	Controller Cover	1
14	MSF8307234010	Right Lid	1	7	MSF8306215000	Left Pan Frame Support	1	No.	Part#	Part Name	Qty

PART B

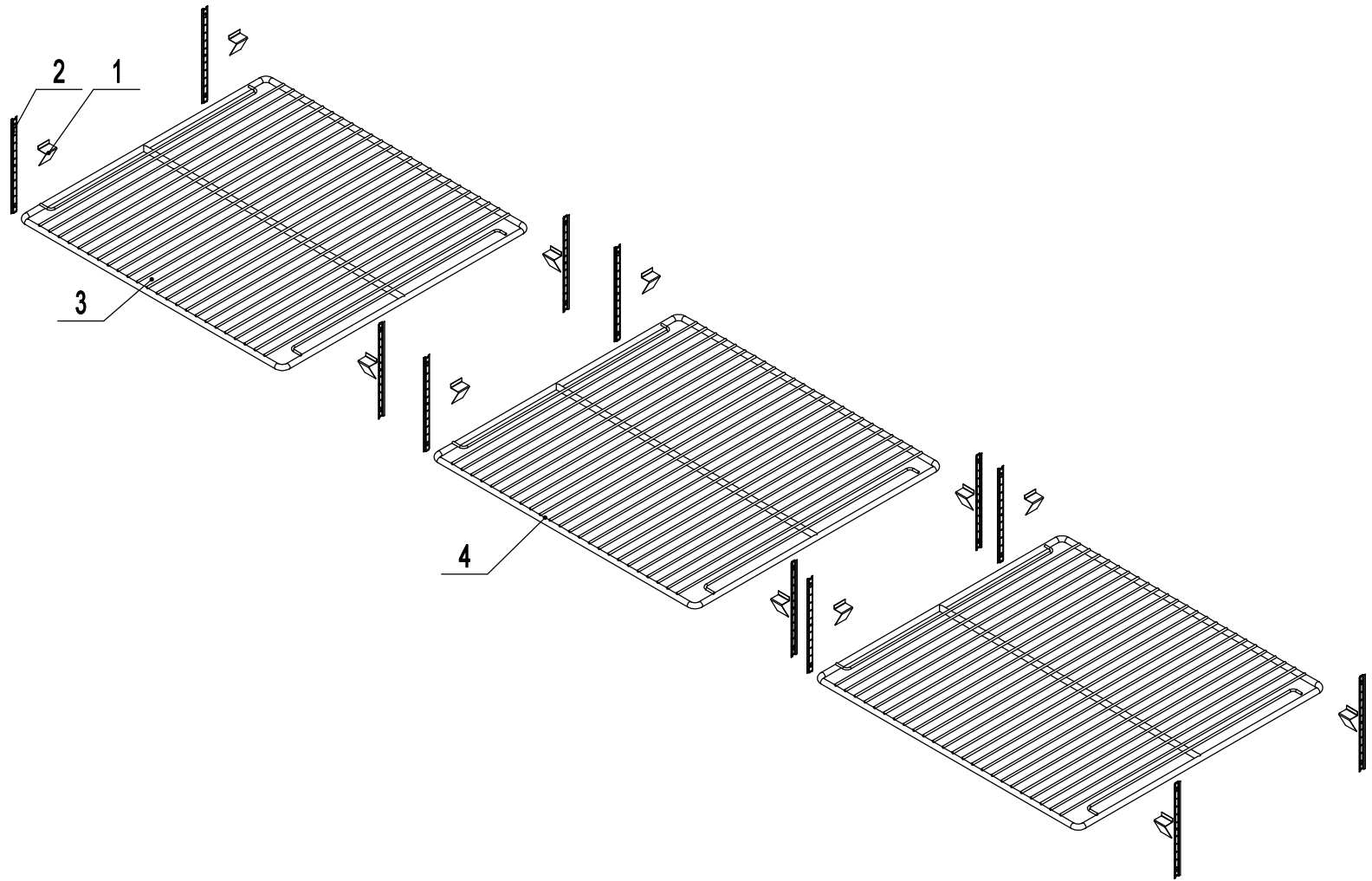
2025.2.11



10	R06007000046	Bottom Left Hinge	1
9	MGF8402221000	Left Door Assembly	1
8	R06007000044	Top Left Hinge	1
7	R06007000043	Top Right Hinge	2
6	R04011000091	Top Door Shaft Sleeve	3
5	R04003000048	Door Gasket	2
4	R06007000086	Door Spring Bar	3
3	R06007000045	Bottom Right Hinge	2
2	R04011000089	Bottom Door Shaft Sleeve	3
1	MGF8402221010	Right Door Assembly	2
No.	Part#	Part Name	Qty

PART C

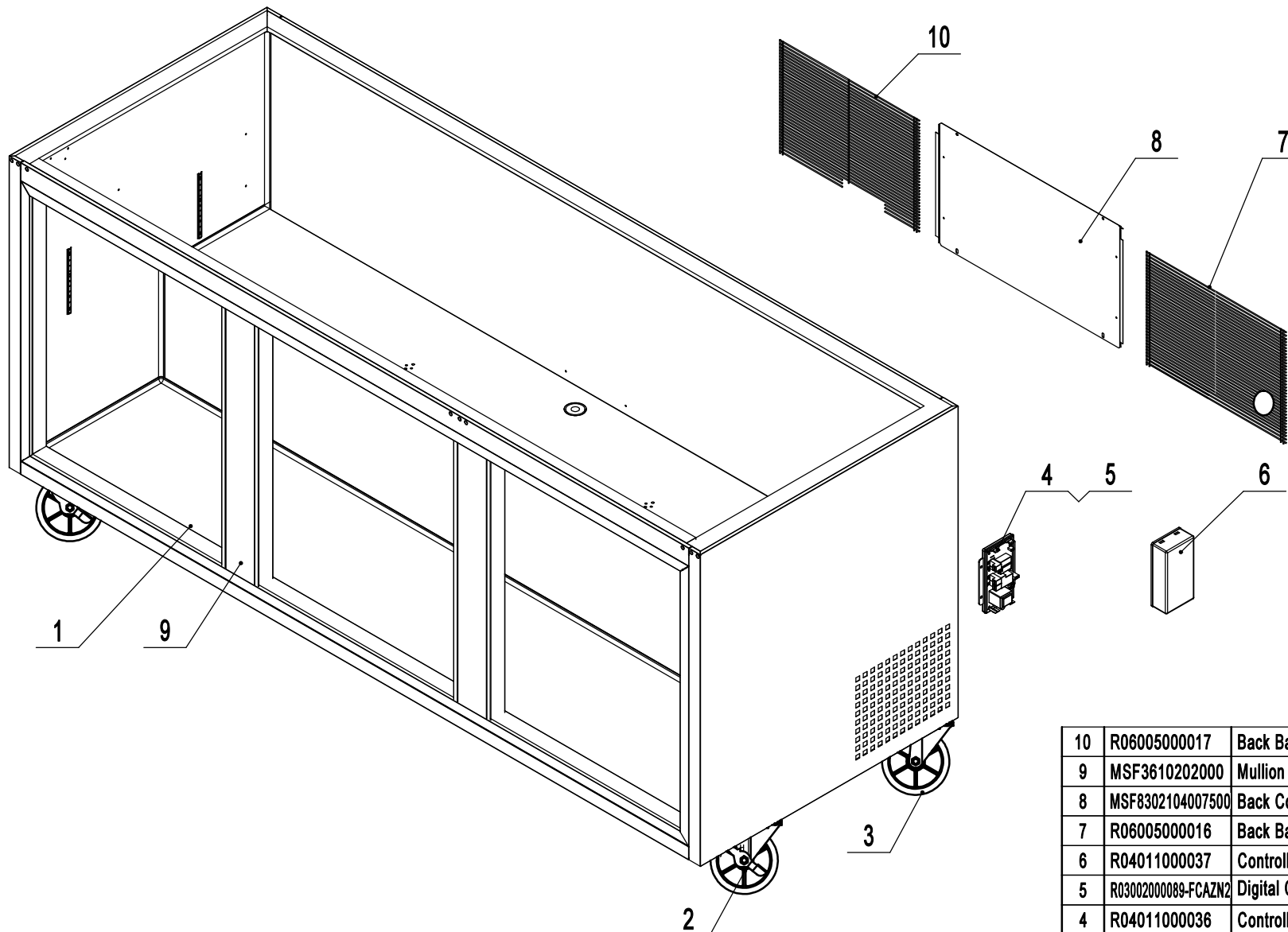
2025.2.10



4	R06004000058	Shelf, 23-5/8 x 17-5/8	1
3	R06004000009	Shelf, 21-1/2 x 17-5/8	2
2	QPL6749115001430	Shelf Pilaster	12
1	QPL6649115001410	Shelf Clip	12
No.	Part#	Part Name	Qty

PART D

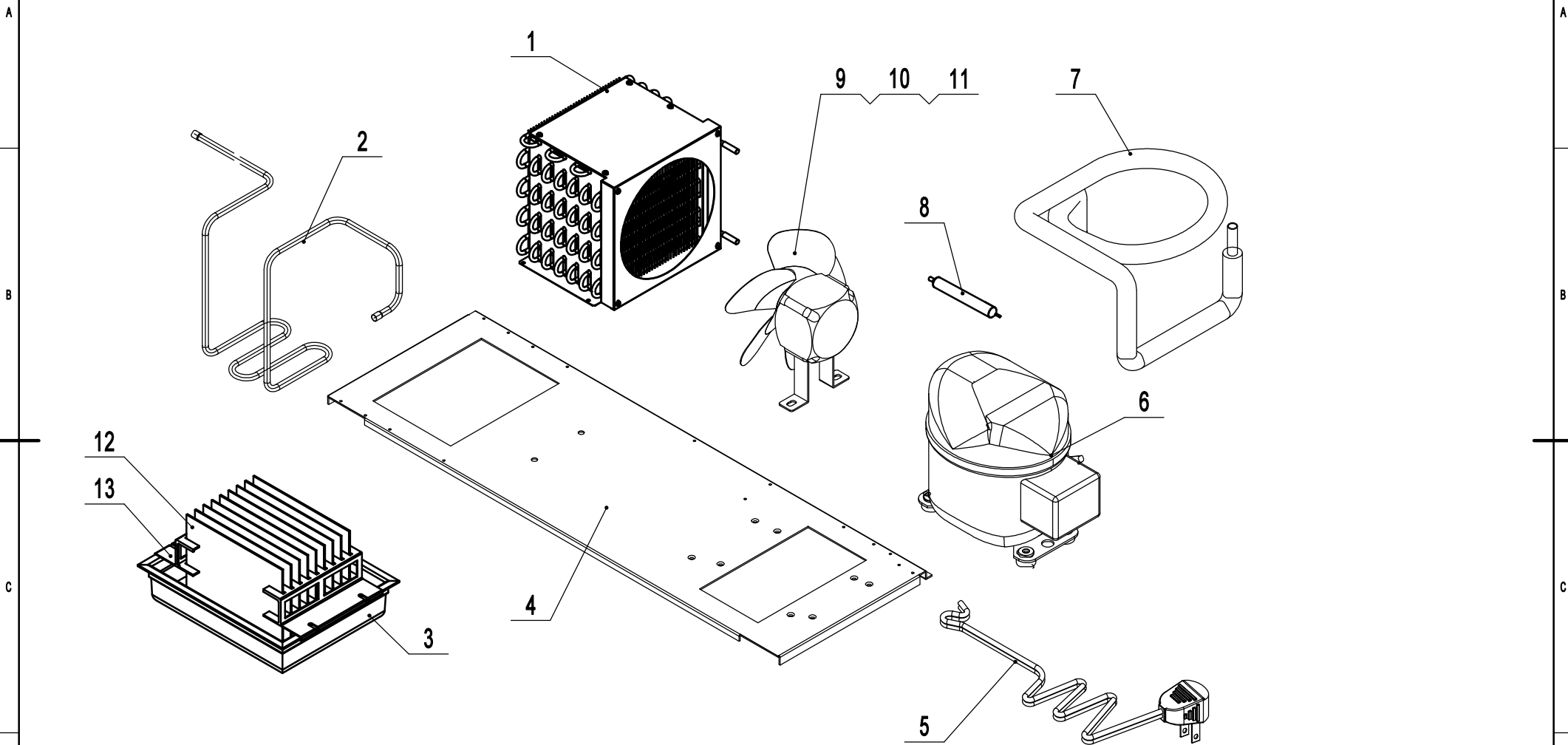
2025.2.11



10	R06005000017	Back Barrier	1
9	MSF3610202000	Mullion	2
8	MSF8302104007500	Back Cover	1
7	R06005000016	Back Barrier	1
6	R04011000037	Controller Box Cover	1
5	R03002000089-FCAZN2	Digital Controller	1
4	R04011000036	Controller Box	1
3	R06001000015	3" Plate Caster W/O Brake	2
2	R06001000016	3" Plate Caster W/ Brake	2
1	MSF8304206052	Cabinet Assembly	1
No.	Part#	Part Name	Qty

PART E

2025.2.11

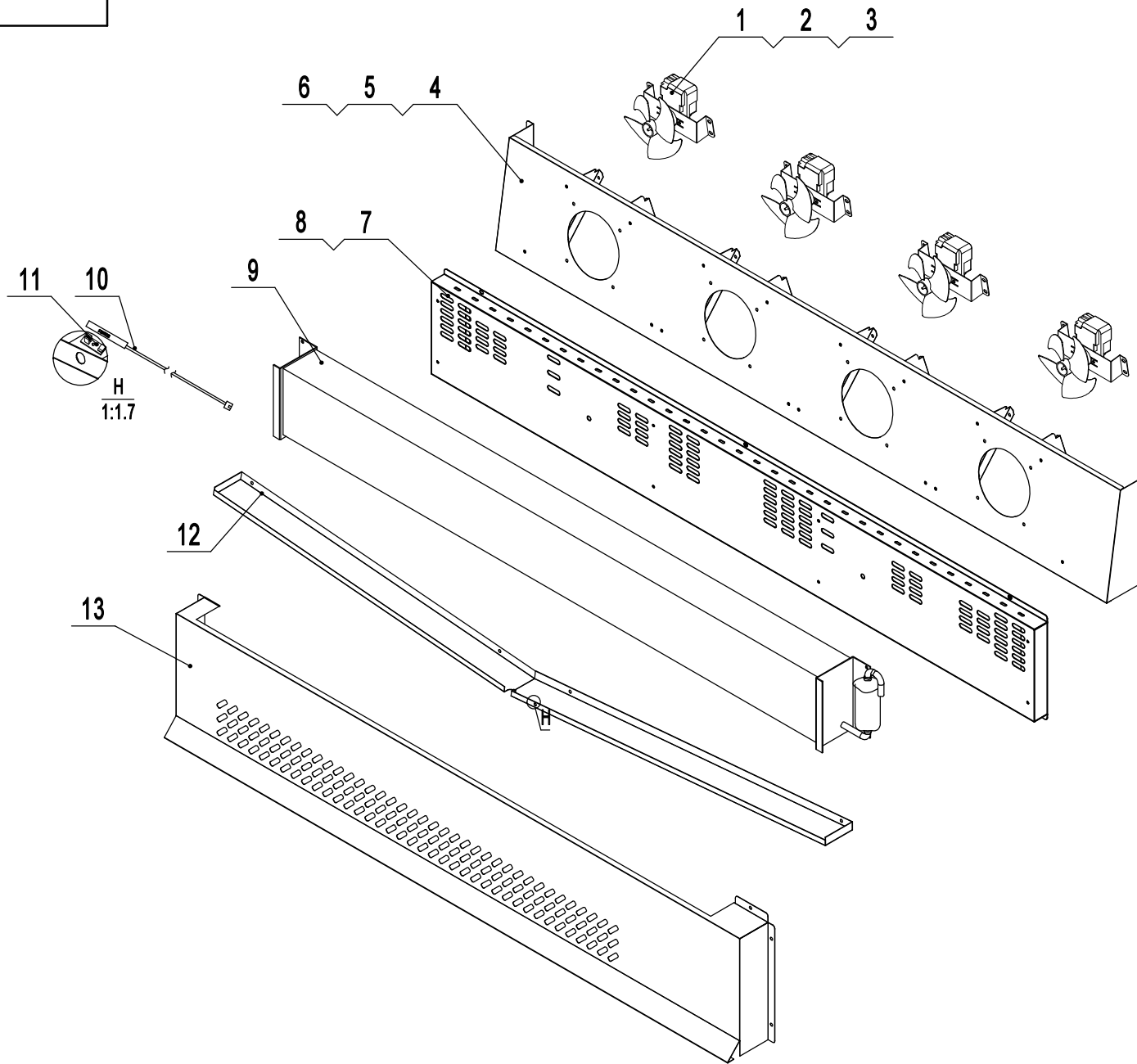


13	R04011000499	Wicking Paper Bracket	2
12	R04099000011	Wicking Paper	9
11	R06099000057	Condenser Fan Bracket	1
10	R03000000013	Condenser Fan Blade	1
9	R03001000100	Condenser Fan Motor	1
8	R02014000001	Filter Drier	1
7	R02015000180	Suction Tube B	1
6	R02000000008	Compressor	1

5	R03005000012	Power Cord	1
4	MSF8302113007500	Condensing Unit Board	1
3	MSF8302103003201	Evap Drain Pan	1
2	R02015000192	Discharge Tube	1
1	R02005000016	Condenser	1
No.	Part#	Part Name	Qty

PART F

2025.2.11



13	MSF8304104002430	Evap Cover	1
12	MSF8304104003430	Drain Pan	1
11	R04011000080	Probe Clip	1
10	R03019000009	Room Temp White Probe	1
9	R02002000049	Evaporator	1
8	MSF8308104001430	Cabinet Air Deflector	5
7	MSF8304104010430	Cabinet Air Deflector	1
6	MSF8302104006430	Evap Right Air Deflector	4
5	MSF8302104005430	Evap Left Air Deflector	4
4	MSF8304104004430	Evap Fan Shroud	1
3	MSF3610112004304	Evap Motor Bracket	4
2	R03000000001	Evap Fan Blade	4
1	R03001000009	Evap Fan Motor	4
No.	Part#	Part Name	Qty