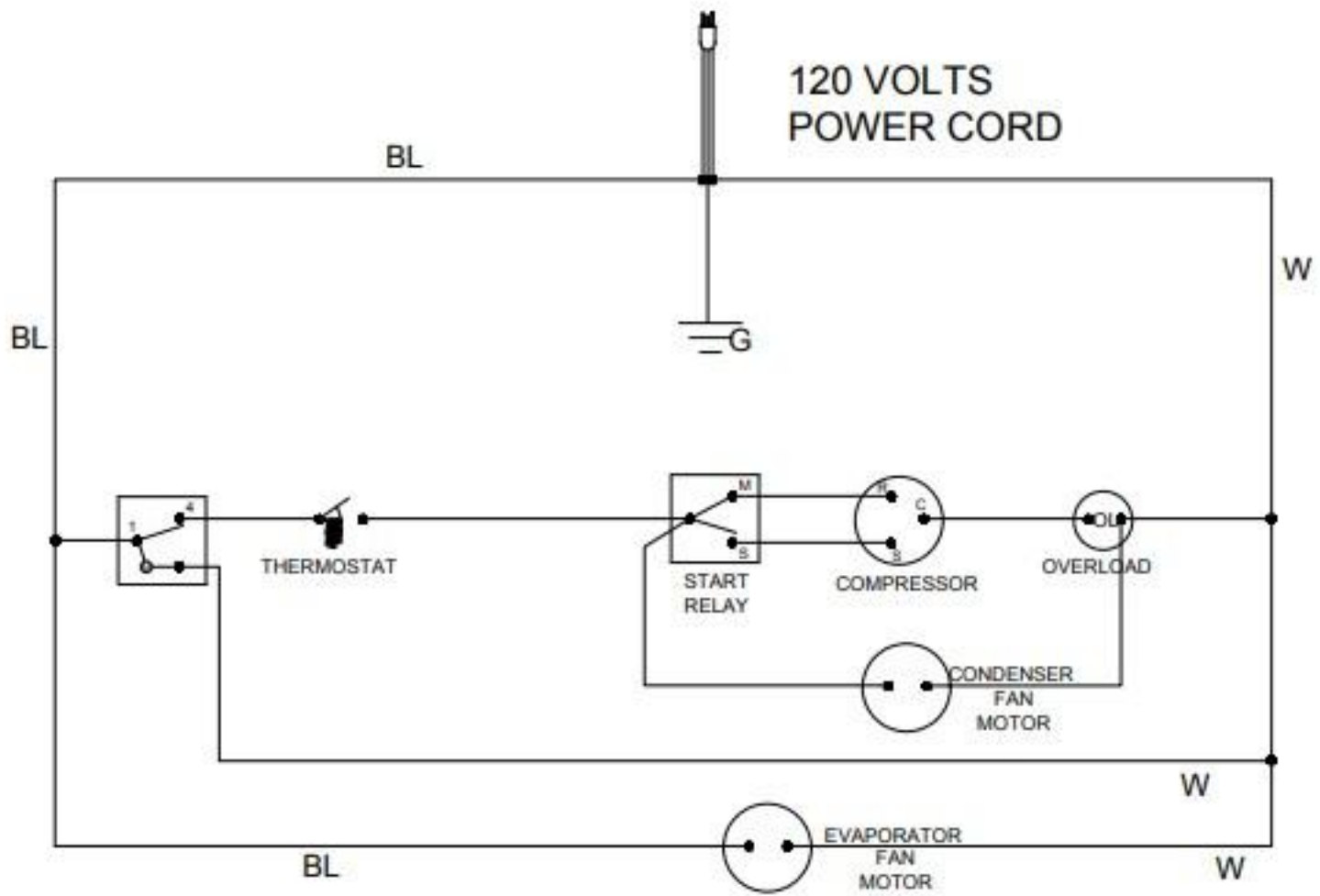


O = ORANGE  
 W = WHITE  
 G = GREEN  
 BL = BLUE  
 B = BLACK

ELECTRICAL RATINGS  
 COMPRESSOR, 2.7 AMPS

ALL WIRE 16GA.



O = ORANGE  
 W = WHITE  
 G = GREEN  
 BL = BLUE  
 B = BLACK

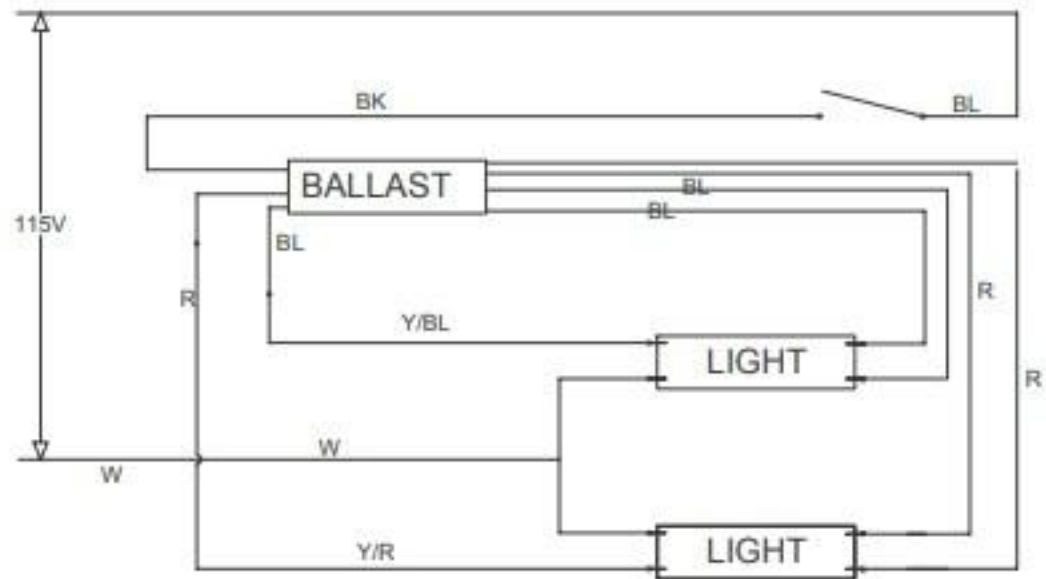
ALL WIRE 16GA.

**ELECTRICAL RATINGS**

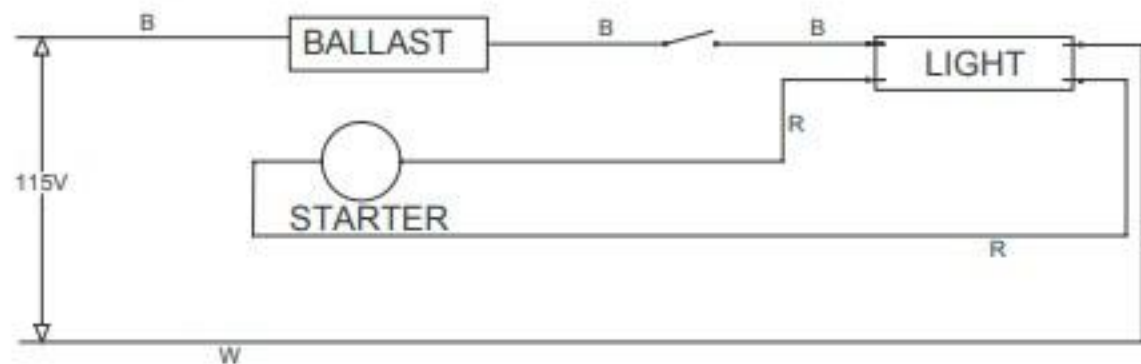
COMPRESSOR, 2.7 AMPS  
 CONDENSER FAN MOTOR .2 AMPS  
 EVAPORATOR FAN MOTOR .2 AMPS

TOTAL 3.1 AMPS

FLOURESCENT LIGHT SYSTEM  
TWO LIGHT

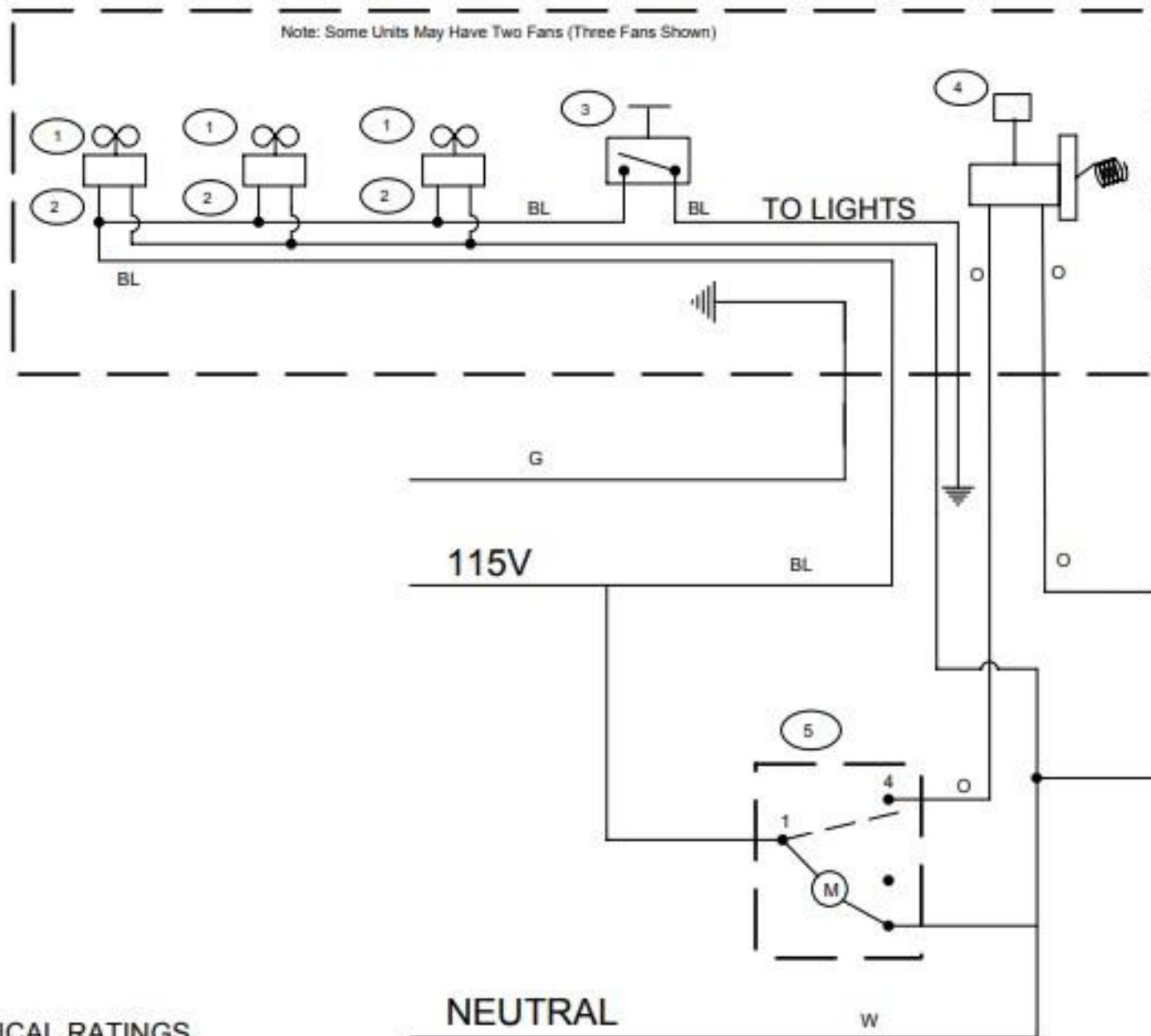


FLOURESCENT LIGHT SYSTEM  
ONE LIGHT



# Evaporator Assembly

Note: Some Units May Have Two Fans (Three Fans Shown)



ITEM	DESCRIPTION
1	EVAPORATOR FAN BLADE
2	EVAPORATOR FAN MOTOR
3	LIGHT SWITCH
4	THERMOSTAT
5	DEFROST TIMER

## LEGEND

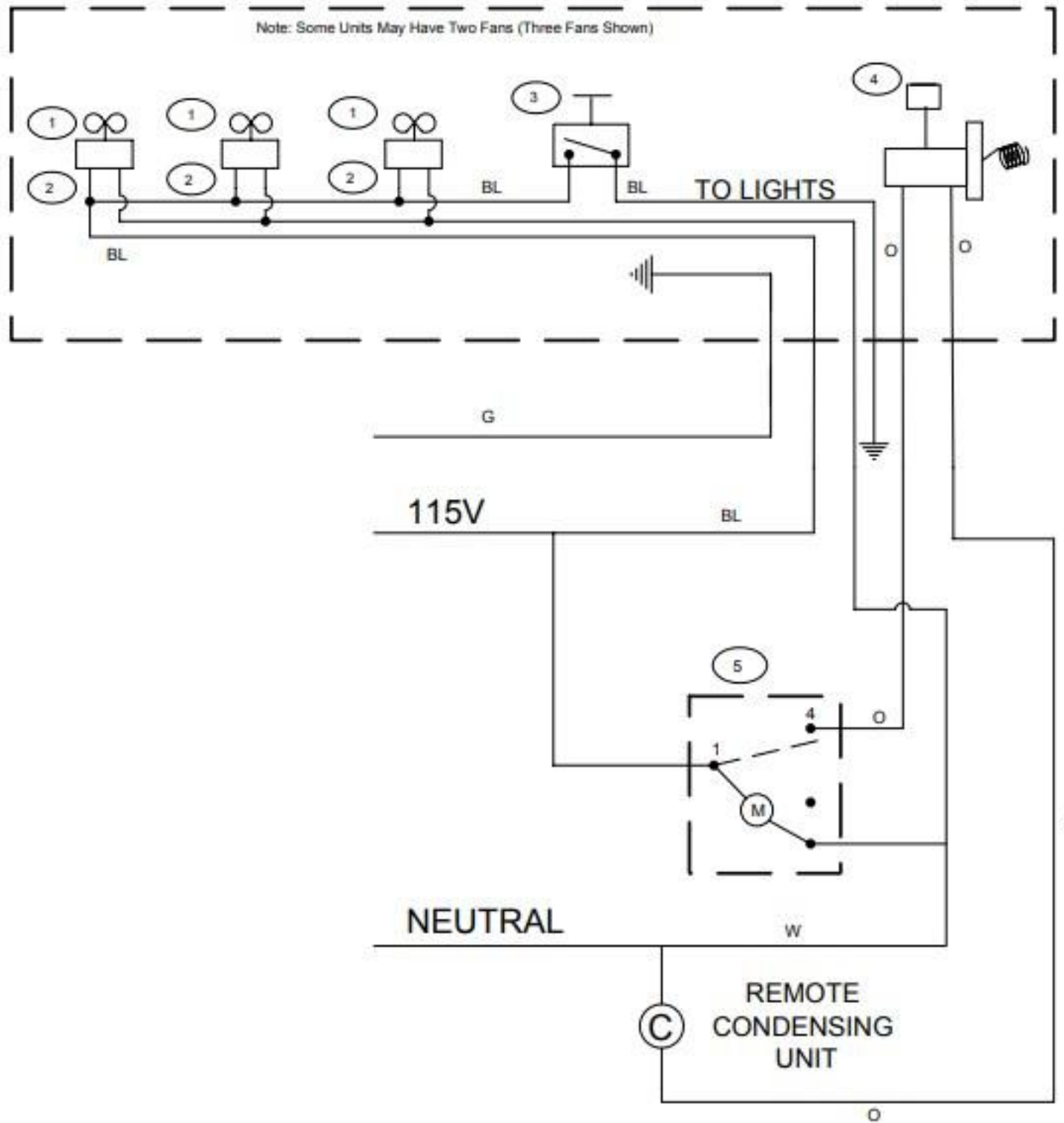
- BK = Black
- BL = Blue
- W = White
- O = Orange
- G = Green
- R = Red
- Y = Yellow
- Y/BL = Yellow w/blue stripe
- Y/R = Yellow w/red stripe

## ELECTRICAL RATINGS

All wires are 16 Gauge

# Evaporator Assembly

Note: Some Units May Have Two Fans (Three Fans Shown)



ITEM	DESCRIPTION
1	EVAPORATOR FAN BLADE
2	EVAPORATOR FAN MOTOR
3	LIGHT SWITCH
4	THERMOSTAT
5	DEFROST TIMER

## LEGEND

- BK = Black
- BL = Blue
- W = White
- O = Orange
- G = Green
- R = Red
- Y = Yellow
- Y/BL = Yellow w/blue stripe
- Y/R = Yellow w/red stripe

## ELECTRICAL RATINGS

All wires are 16 Gauge

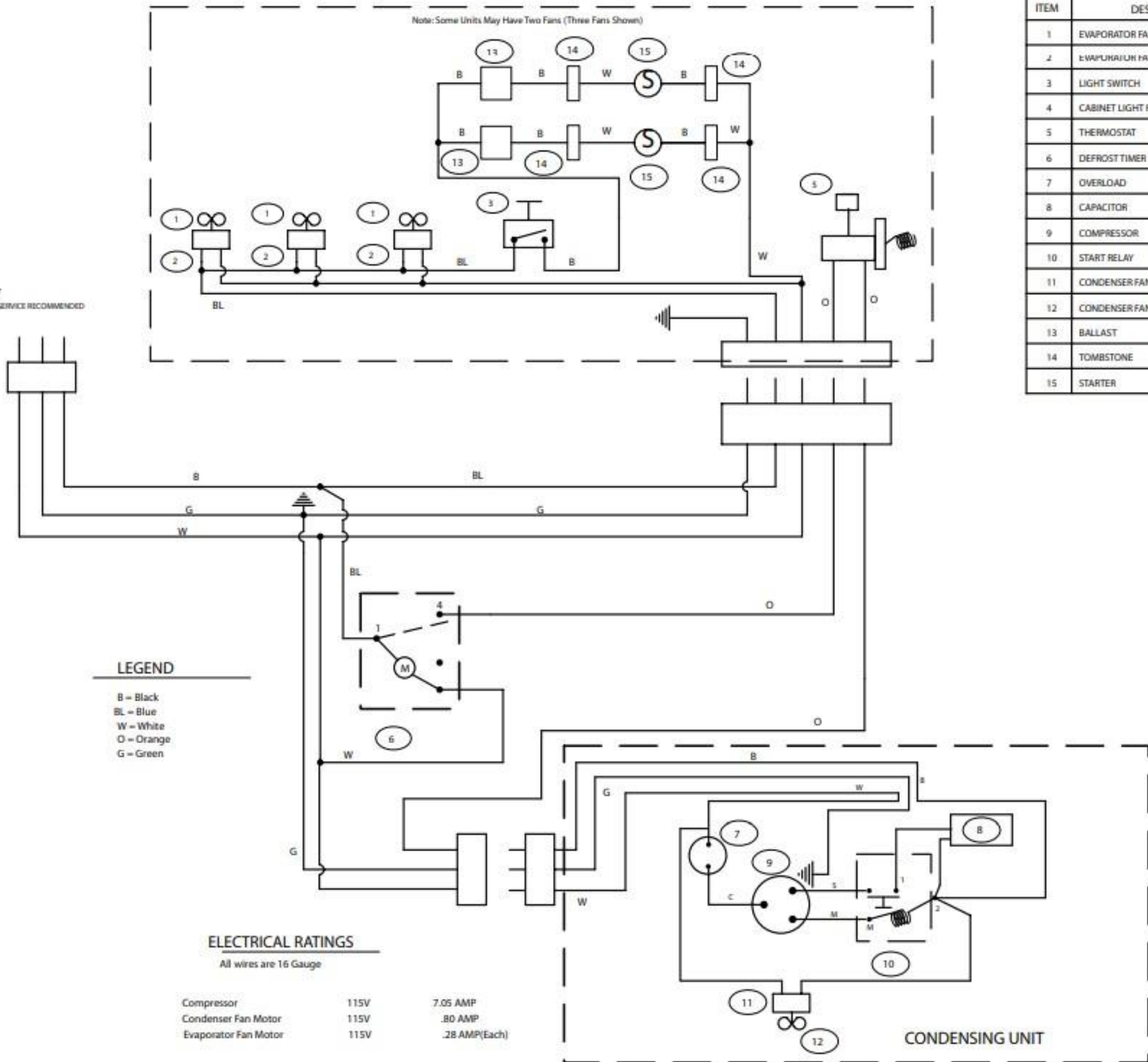
Evaporator Fan Motor	115V	.28 AMP(Each)
----------------------	------	---------------

# Evaporator Assembly

Note: Some Units May Have Two Fans (Three Fans Shown)

ITEM	DESCRIPTION
1	EVAPORATOR FAN BLADE
2	EVAPORATOR FAN MOTOR
3	LIGHT SWITCH
4	CABINET LIGHT RECEPTACLE
5	THERMOSTAT
6	DEFROST TIMER
7	OVERLOAD
8	CAPACITOR
9	COMPRESSOR
10	START RELAY
11	CONDENSER FAN MOTOR
12	CONDENSER FAN BLADE
13	BALLAST
14	TOMBSTONE
15	STARTER

115 VOLT  
15 AMP SERVICE RECOMMENDED



## LEGEND

B = Black  
BL = Blue  
W = White  
O = Orange  
G = Green

## ELECTRICAL RATINGS

All wires are 16 Gauge

Compressor	115V	7.05 AMP
Condenser Fan Motor	115V	.80 AMP
Evaporator Fan Motor	115V	.28 AMP(Each)

CONDENSING UNIT

