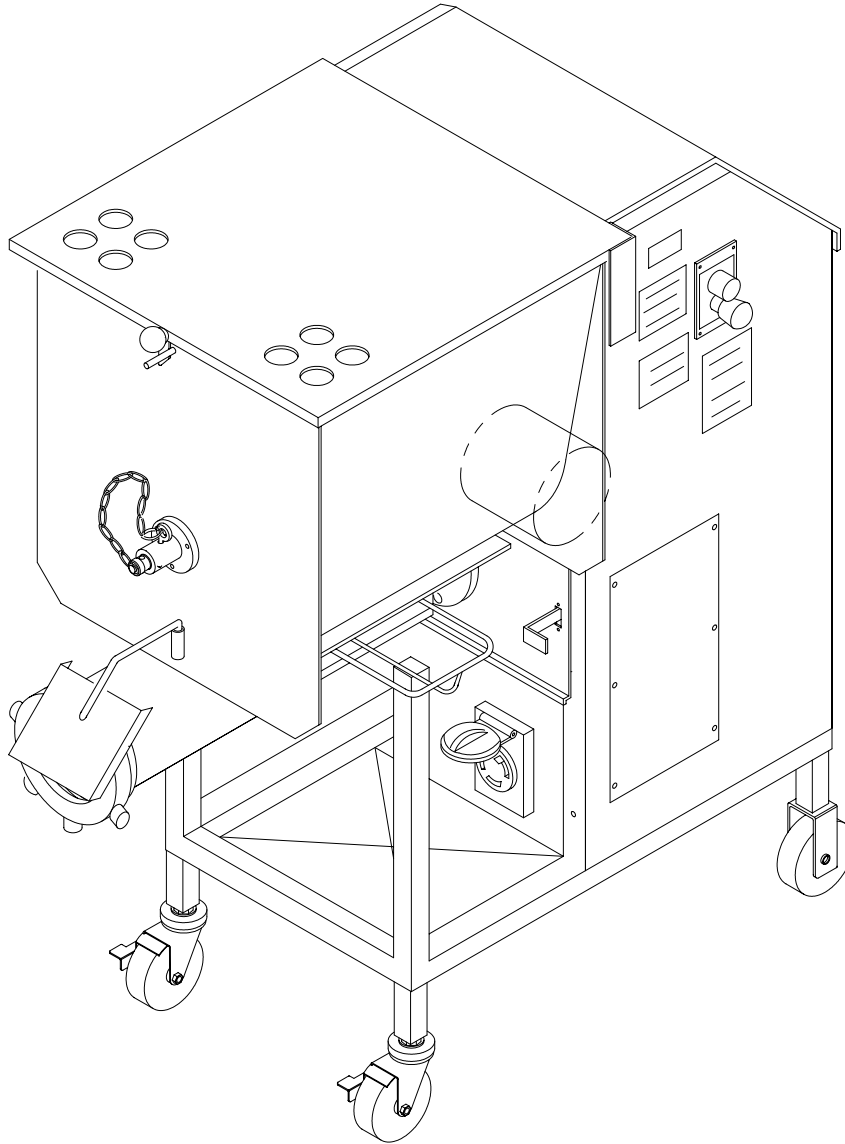


200/52 MIXER GRINDER

REPLACEMENT PARTS MANUAL FOR
200/52 MIXER-GRINDER
S/N 101 TO 360

(THAT WERE MANUFACTURED BY "LASAR MFG." UNTILL 1988)
AMERICAN MEAT EQUIPMENT CORP. HAD NO CONNECTION TO THE
DESIGN, MANUFACTURING OR SALES OF THESE MACHINES



MADE IN USA

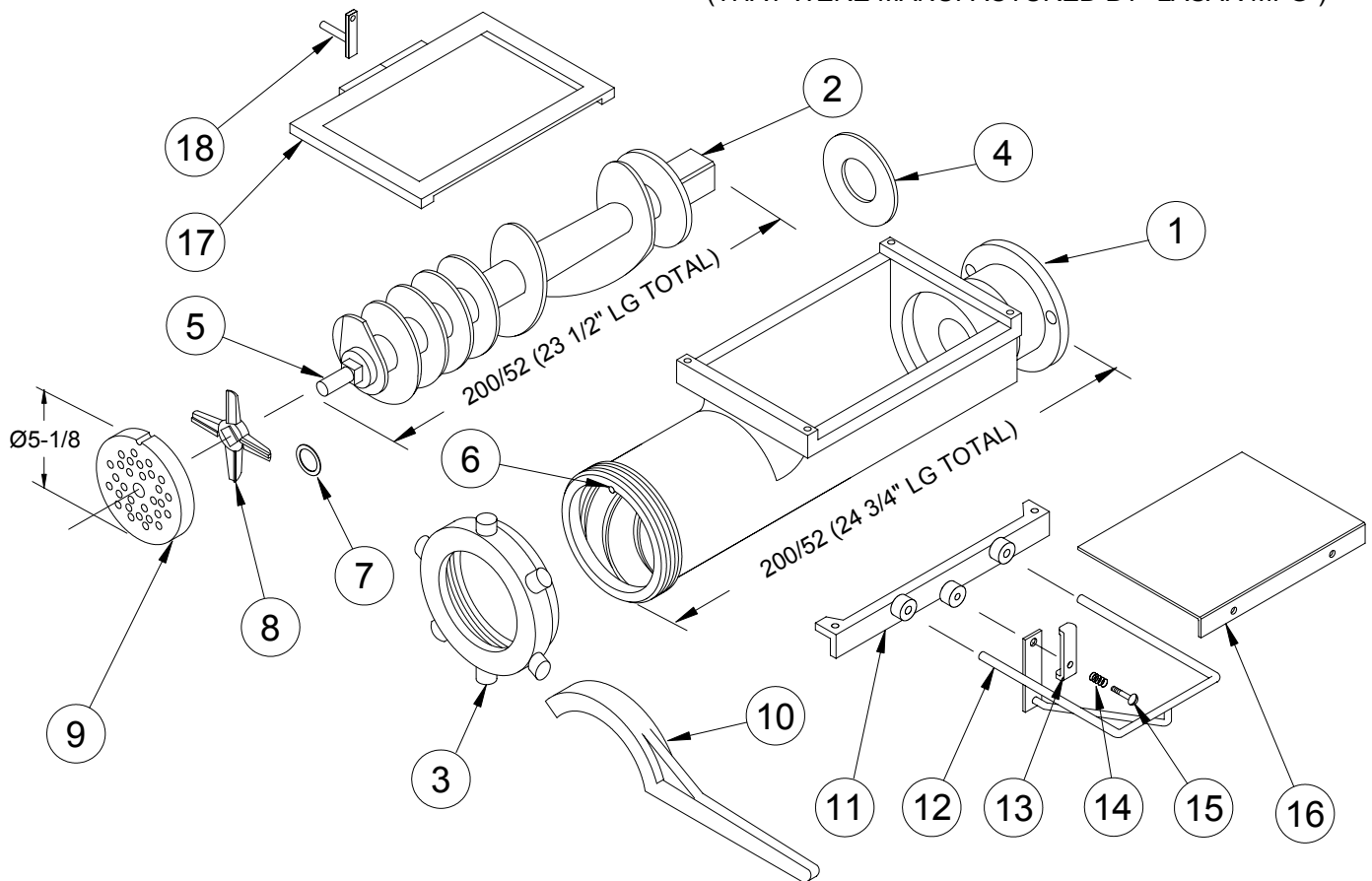
AMERICAN MEAT EQUIPMENT CORP.

1625 S. GREENWOOD AVE
MONTEBELLO, CA. 90640
PHONE: (323) 724-5348
FAX: (323) 838-4336

200/52 MIXER GRINDER

REPLACEMENT CUTTING GROUP & COMPONENTS

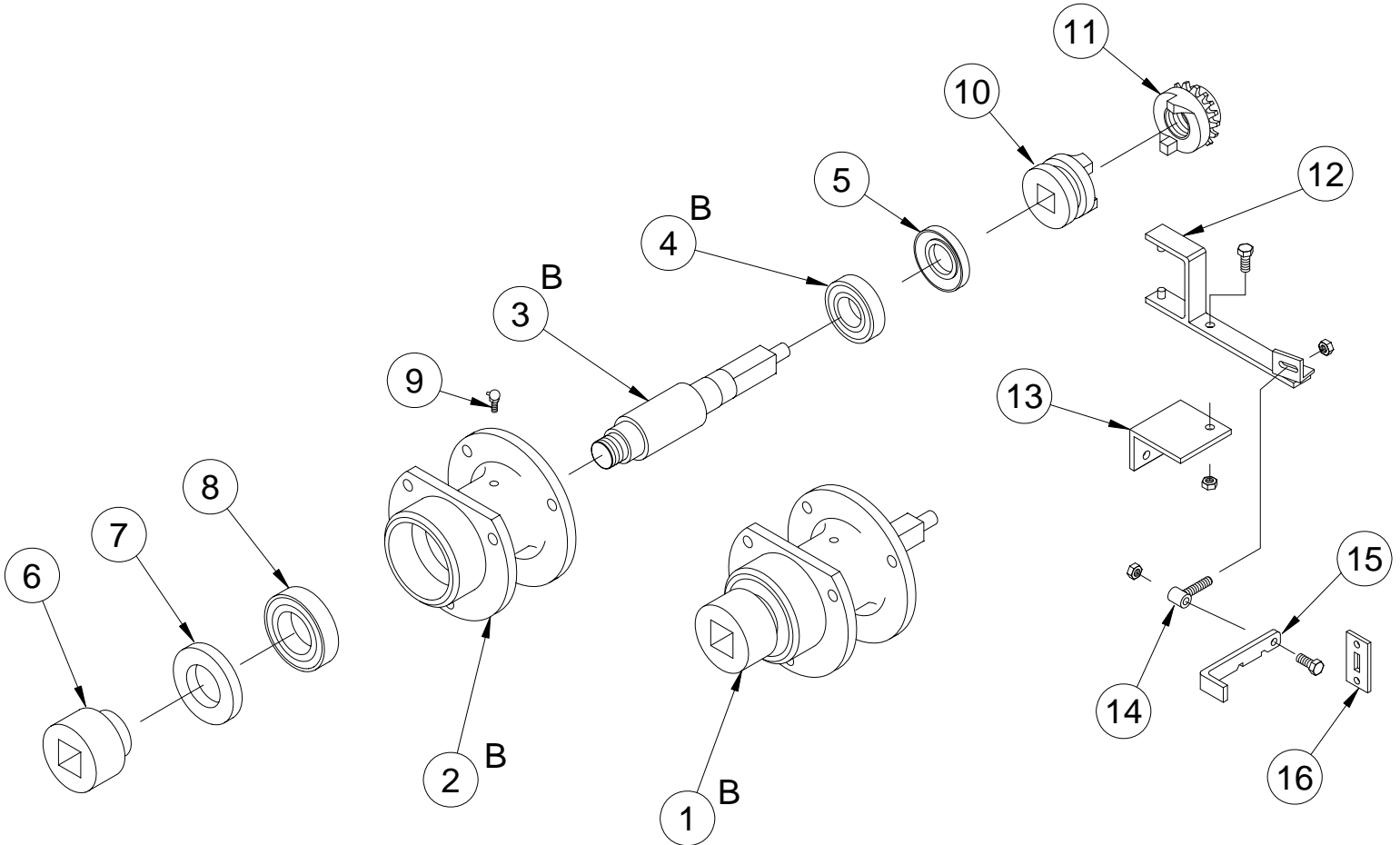
FOR 200/52 MIXER GRINDER
S/N 101 TO 360
(THAT WERE MANUFACTURED BY "LASAR MFG")



ITEM #	PART #	DESCRIPTION	QTY.	ITEM#	PART#	DESCRIPTION	QTY.
1	0040007	200/52 BOWL	1	9C	0090935	52-1/4" HOLE PLATE	1
2	0045019	200/52 FEED SCREW ASSY	1	9D	0090933	52-3/8" HOLE PLATE	1
2	0045019S	200/52 SS FEED SCREW ASSY	1	10	0059188	52 WRENCH ALUM	1
3	0053016	52 KNIFE & PL. RING (PLATED)	1	10	0043620S	52 WRENCH SS	1
3	0053016S	SS 52 KNIFE & PL. RING	1	11	0040415	SLIDING DOOR SUPPORT	1
4	0059274	52 SPACER RING (BOWL & F.S.)	A/R	12	0045110	GUIDE ROD	1
5	0052026	52 FEED SCREW STUD	1	13	0045107	DOOR LOCK	1
6	DP-05-24	SCREW 52 PLATE HOLDER	1	14	0010314	SPRING	1
7	0095655	52 SHIM FEED SCREW STUD	1	15	RHSS-21-24-SS	SCREW	1
8	0090934	52 KNIFE	1	16	0045106	SHUT OFF DOOR	1
9A	0090931	52-1/8" HOLE PLATE	1	17	0040396	SLIDING DOOR FRAME	1
9B	0090932	52-3/16" HOLE PLATE	1	18	0040090	SHUT OFF LOCK	1

200/52 MIXER GRINDER

REPLACEMENT THRUST BRACKETS ASSY & SLIDING CLUTCH COMPONENTS FOR 200 MIXER GRINDERS S/N 101 TO 360 (THAT WERE MANUFACTURED BY "LASAR MFG")

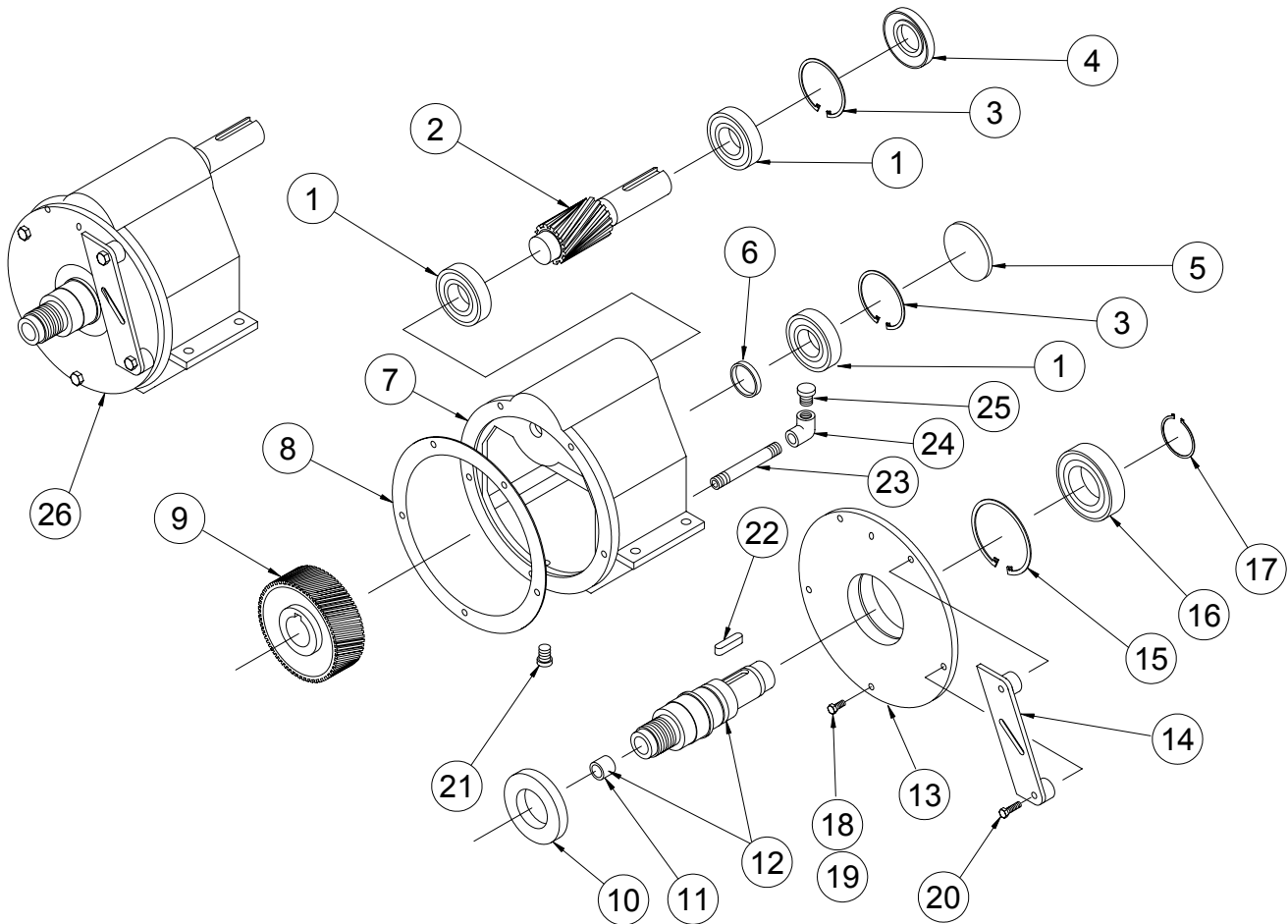


ITEM#	PART#	DESCRIPTION	QTY.
1B	0040220	200 MG THRUST BKT ASSY	1
2B	0040218	200 MG THRUST BKT	1
3B	0040219	200 MG DRIVE SHAFT	1
4B	0090304	200 MG REAR BEARING	1
5	0090404	200 MG REAR SEAL	1
6	0059060	CHUCK	1
7	0090405	SEAL	1
8	0090303	THRUST BEARING	1
9	0090603	GREASE FITTING STD 1/8-27	1
9	0040391	GREASE TUBE & FITTING KIT	1
10	0044705	SLIDING COUPLING	1
11	0040015	SPROCKET COUPLING	1
12	0040175	CLUTCH FORK	1
13	0040170	BRACKET	1
14	0040418	CLUTCH LINK	1
15	0040417	CLUTCH LEVER	1
16	0044762	CLUTCH LEVER PLATE	1

200/52 MIXER GRINDER

REPLACEMENT GEAR BOX ASSY P/N 0040010 & COMPONENTS

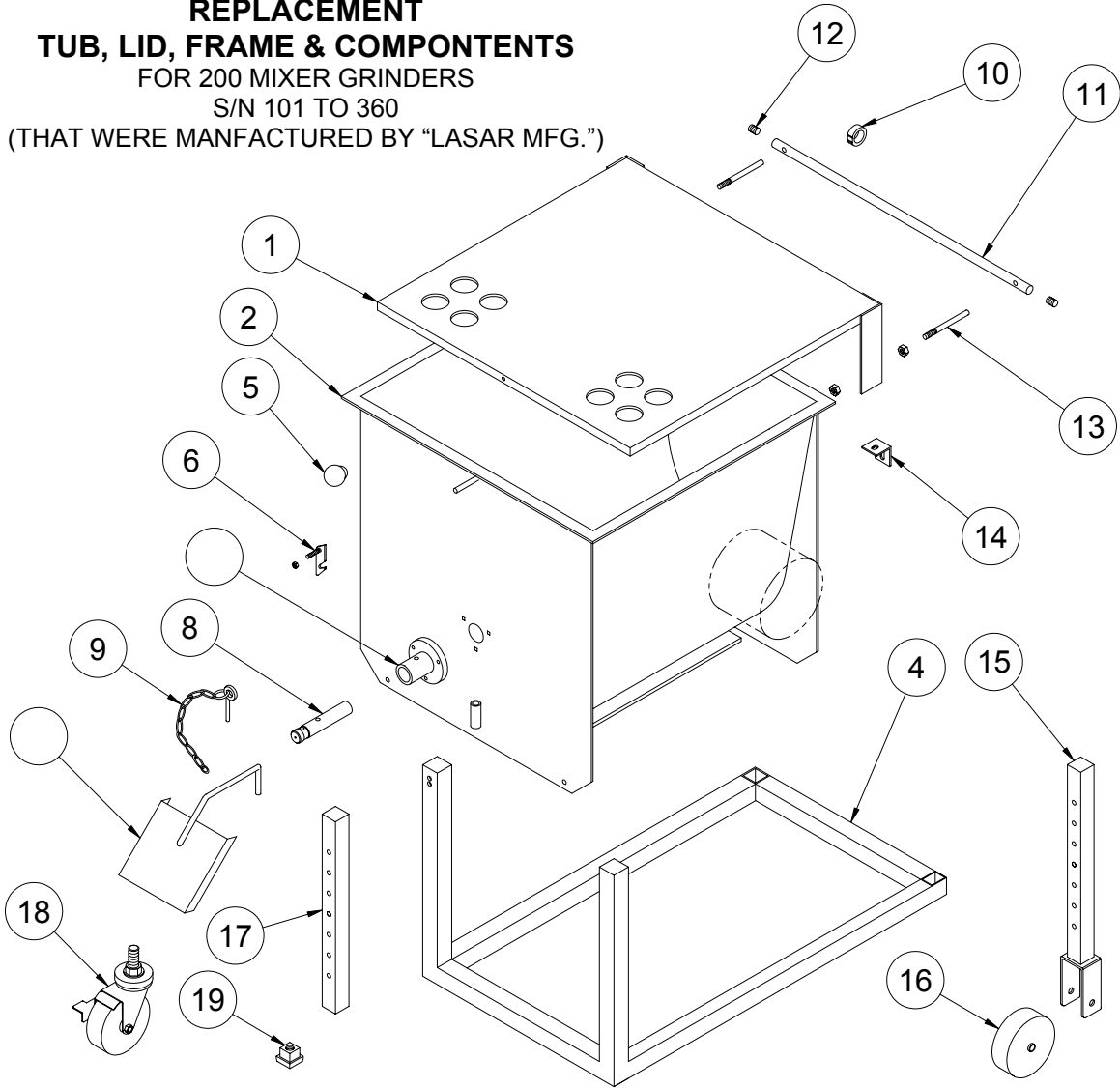
FOR 200 MIXER GRINDER
S/N 101 TO 360
(THAT WERE MANUFACTURED BY "LASAR MFG.")



ITEM#	PART#	DESCRIPTION	QTY.	ITEM#	PART#	DESCRIPTION	QTY.
1	0090304	BEARING HOUSING	3	14	0040060	IDLER SPROCKET HOLDER	1
2	0059052	PINION & GEAR WHEEL #9	1	15	0090230	RETAININ RING-COVER	1
3	0090205	RETAINING RING HOUSING	2	16	0090322	BALL BEARING	1
4	0090404	SEAL (SMALL) HOUSING	1	17	0090251	RETAINING RING-SHAFT	1
5	0059058	PLUG	1	18	HHCS-23-20-SS	SCREW	5
6	0044766	RING	1	19	SLW-06-SS	LOCK WASHER	5
7	0040012	HOUSING-GEAR BOX	1	20	HHCS-23-28-SS	SCREW	2
8	0059061	GASKET	1	21	0095159	PIPE PLUG	1
9		GEAR (PURCHASE W #2)		22	0059249-5	KEY	1
10	0090405	SEAL (LARGE)	1	23	0090609	PIPE NIPPLE	1
11	0090750	BUSHING FOR #12	1	24	0090608	PIPE ELBOW	1
12	0040011	SHAFT & BUSHING	1	25	0059067	BREATHER CAP	1
13	0040016	COVER-GEAR BOX	1	26	0040010	GEAR BOX ASSY	1

200/52 MIXER GRINDER

REPLACEMENT TUB, LID, FRAME & COMPONENTS FOR 200 MIXER GRINDERS S/N 101 TO 360 (THAT WERE MANUFACTURED BY "LASAR MFG.")



ITEM#	PART#	DESCRIPTION	QTY.	ITEM#	PART#	DESCRIPTION	QTY.
1	0040240	200 LID	1	9	0026547S	PIN & CHAIN ASSY-SS	1
2		200 TUB (REF ONLY)		10	0040437	SHUT-OFF CAM	1
		200 TUB RH CONN (REF ONLY)		11	0040067	SS LID PIVOT ROD	1
		200 TUB LH CONN (REF ONLY)		12	SHSS-28-08-SS	SCREW PIVOT ROD	2
3	0040310	200 SPURT GUARD	1	13	0026260S	SS LID STUD	2
4		SS 200 FRAME (P.O.R.)		14	0040156	ANGLE BRACKET TUB	2
5	0090638	KNOB	1	15	0040665	REAR LEG	2
6	0040138	LID LOCK HOOK W/NUT	1	16	0095173	4" CASTER WHEEL	2
7	0058116	BRACKET FRONT (PLATED)	1	17	0040671	FRONT LEG	2
7	0058116S	SS BRACKET FRONT	1	18	0095240	4" CASTER W/BRAKE	2
8	0058117	SS SHAFT FRONT	1	19	0040450	INSERT (SQ. TUBULAR LEG)	2

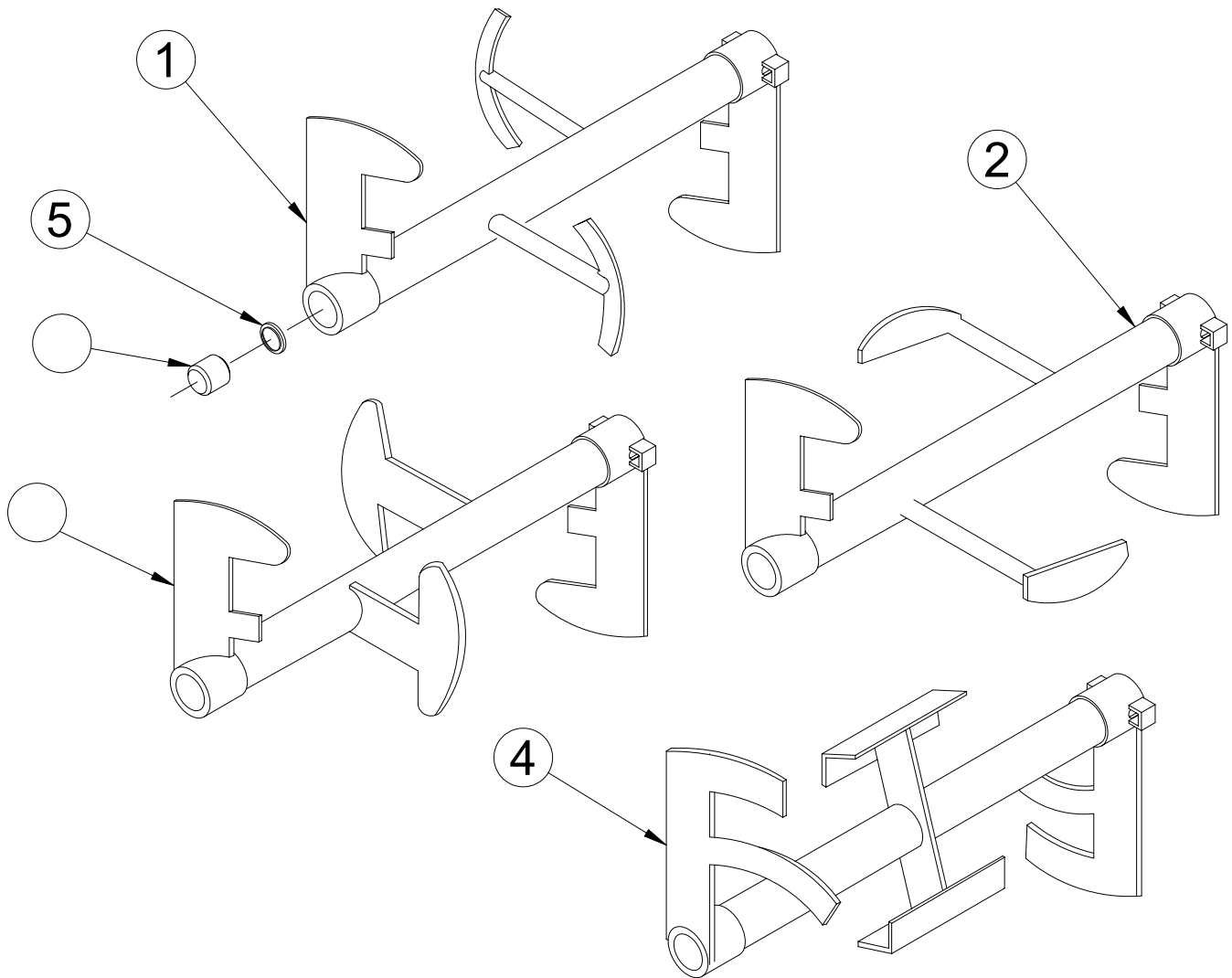
200/52 MIXER GRINDER

REPLACEMENT PADDLE ASSEMBLY & BUSHING

FOR 200 MIXER GRINDERS

S/N 101 TO 360

(THAT WERE MANUFACTURED BY "LASAR MFG.")

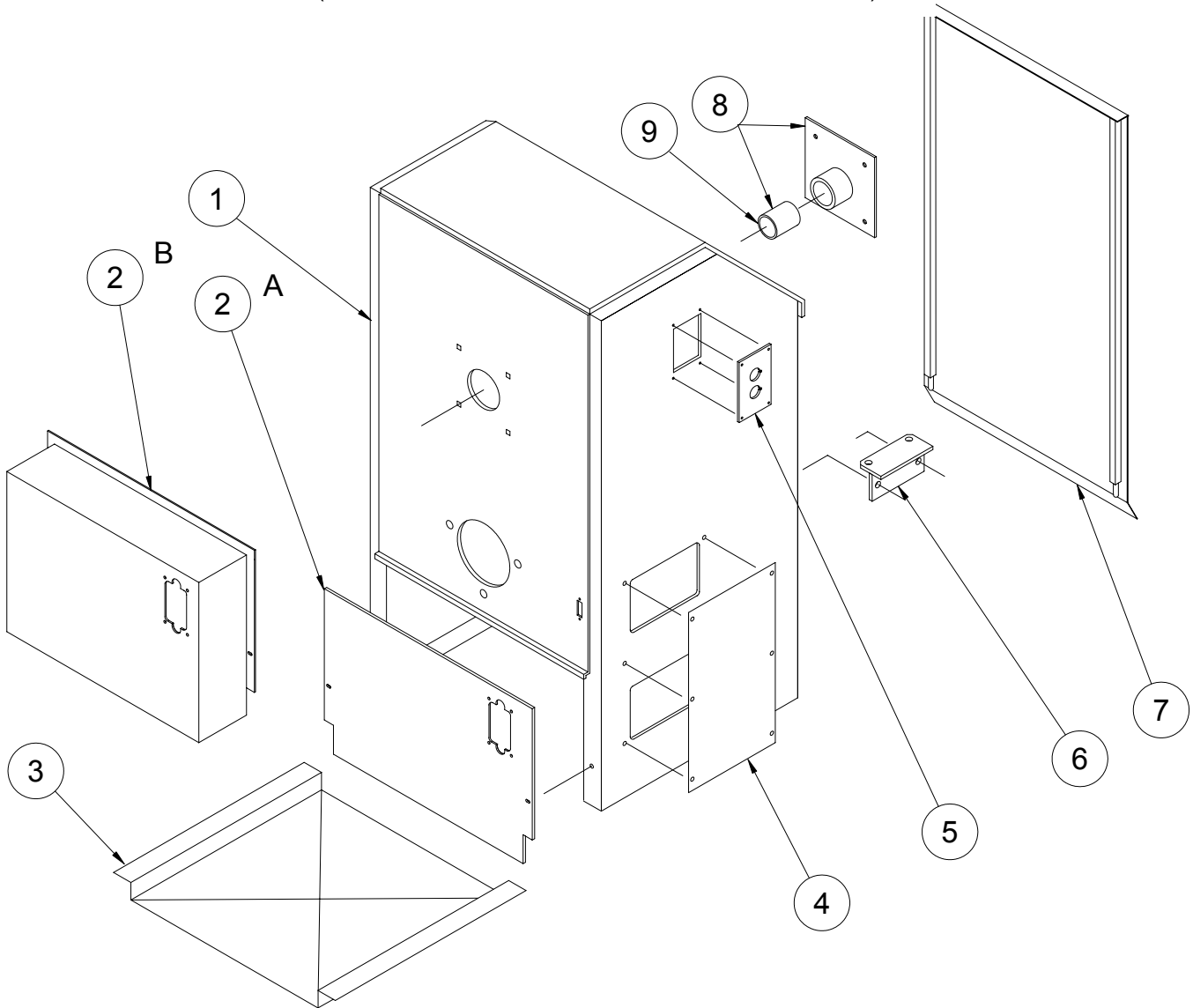


ITEM#	PART#	DESCRIPTION	QTY.
1	0040380	200 PADDLES W/ BUSHING	1
2	0040495	200 PADDLES W/ BUSHING	1
3	0040288	200 PADDLES W/ BUSHING	1
4	0040595	200 PADDLES W/ BUSHING	1
5	0040078	PLUG (PLATED ONLY)	1
6	0040079	NYLON BUSHING	1

200/52 MIXER GRINDER

REPLACEMENT COVER & MISC.

FOR 200 MIXER GRINDERS
CABINETS S/N 101 TO 360
(THAT WERE MANUFACTURED BY "LASAR MFG.")

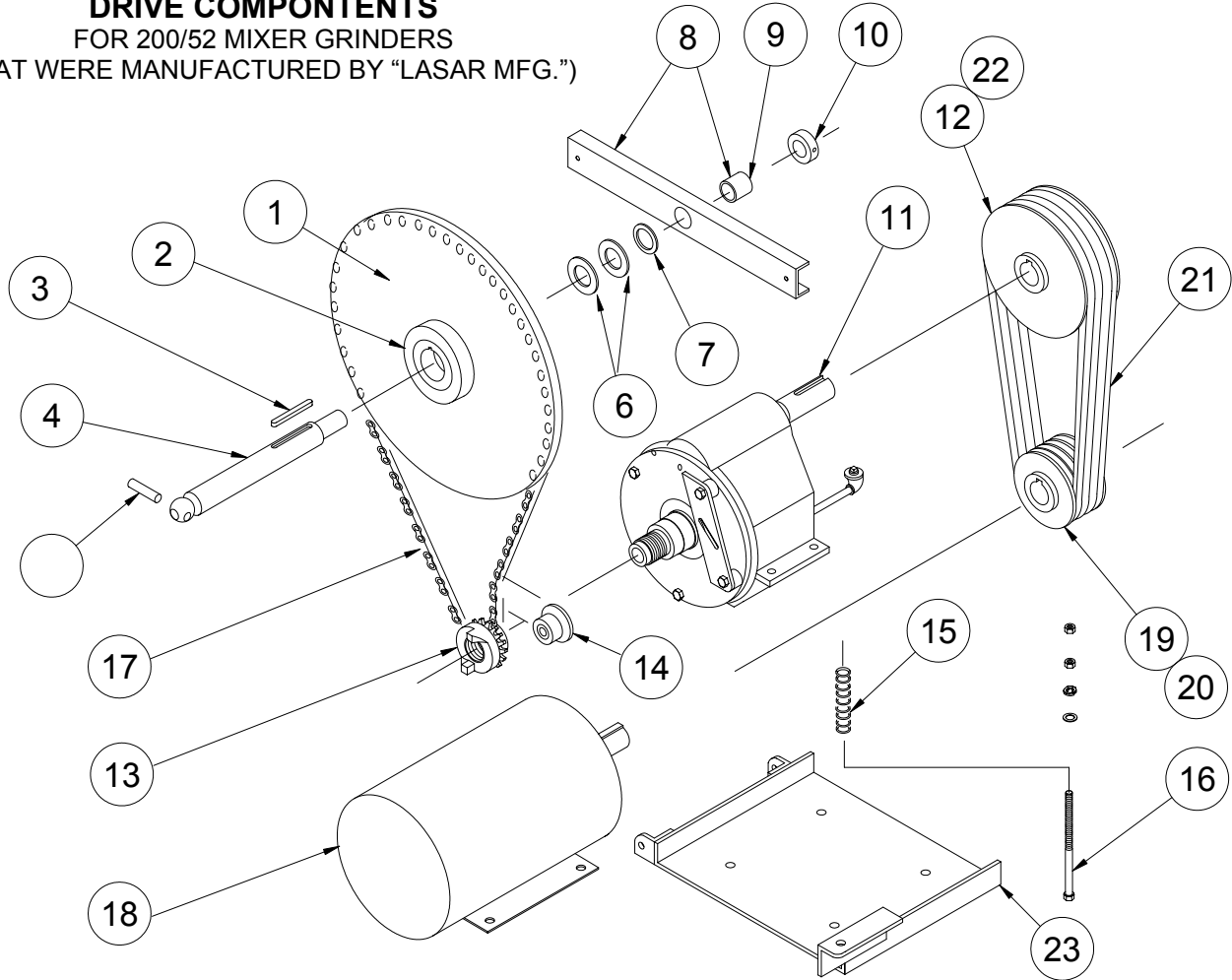


ITEM#	PART#	DESCRIPTION	QTY.
1		200 CAB. (REF ONLY)	
2A	0040103	FRONT MOTOR COVER 7 1/2 & 10HP - 3PH	1
2B	0040305	EXT. FRONT MOTOR COVER 7 1/2 - 1PH & 15HP - 1PH	1
3	0040102	TOOL PAN	1
4	0040626	ACCESS COVER	1
5	0040104	SWITCH HOLDER	1
6	0040064	GEAR BOX MOUNT	2
7	0040630	BELT COVER	1
8	0040130S	BEARING BRACKET WITH BUSHING	1
9	0090725	BUSHING BEARING BRACKET	1

200/52 MIXER GRINDER

REPLACEMENT DRIVE COMPONENTS

FOR 200/52 MIXER GRINDERS
(THAT WERE MANUFACTURED BY "LASAR MFG.")



ITEM#	PART#	DESCRIPTION	QTY.	ITEM#	PART#	DESCRIPTION	QTY.
1	0090180	SPROCKET	1	10	0095077	COLLAR (PLATED)	1
2	0090152	HUB	1	10	0095077S	COLLAR SS	1
3	0059248-9	KEY	1	11	0040010	GEAR BOX ASSY	1
4	0040023S	DRIVE SHAFT PADDLES	1	12	0090153	BUSHING DRIVEN PULLEY	1
5	0045048	DRIVE PIN	1	13	0040015	SPROCKET COUPLING	1
6	0044662	FIBER SPACER	1	14	0044516	IDLER SPROCKET	1
7	0044521	SHIM	1	15	0043157	TENSION SPRING	1
8	0044344S	SUPPORT W/BUSHING	1	16	0043155	TENSION BOLT	1
9	0090718	BUSHING	1	17	0091136	CHAIN ASSEMBLY	1

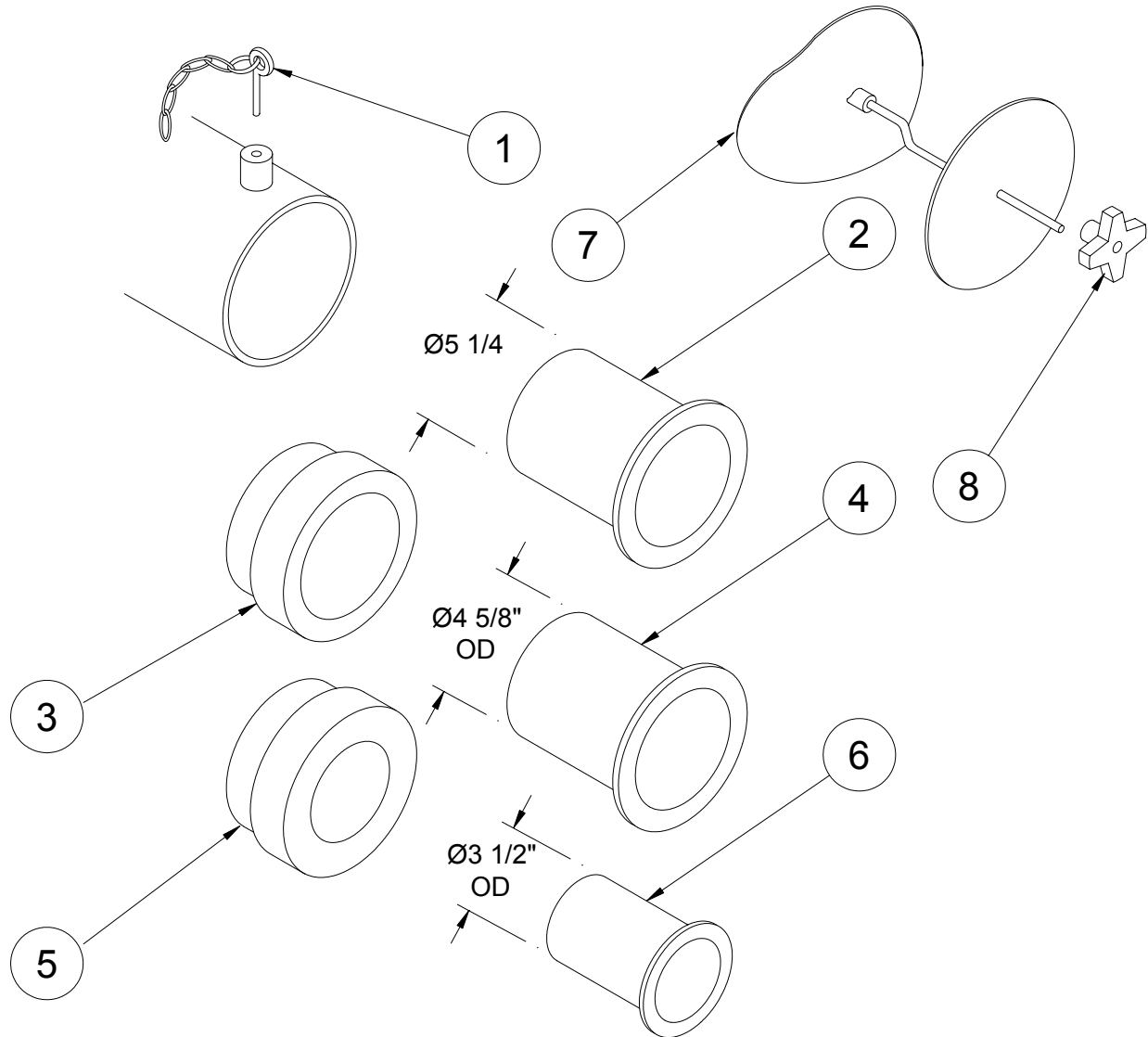
ITEM 18	ITEM 19	ITEM 20	ITEM 21	ITEM 22	ITEM 23
MOTOR	MOTOR PULLEY	MOTOR HUB	BELT	QTY.	DRIVEN PULLEY
PART#	PART#	PART#	PART#	PART#	PART#
0092230 7.5HP, 3PH	0090199-107 3GR	0090142	0090519	3	0090110 3GR
0092229 7.5HP, 1PH	0090199-107 3GR	0090142	0090518	3	0090110 3GR
0092257 10HP, 3PH	0090108 4GR	0090149	0090519	4	0090111 4GR
0092287 15HP, 3PH	0090108 4GR	0090172	0090518	4	0090111 4GR
					0040100
					0040105
					0040100
					0040205

200/52 MIXER GRINDER

REPLACEMENT ADAPTORS & TUB PLUG ASSEMBLY

FOR 200 MIXER GRINDERS
S/N 101 TO 360

(THAT WERE MANUFACTURED BY "LASAR MFG.")



ITEM#	PART#	DESCRIPTION	QTY.
1	0045319	PIN & CHAIN ASSEMBLY	1
2	0057170	56 CONNECTOR TUBE (HORN)	1
3	0053033	56 TO 52 REDUCER	1
4	0053030	52 CONNECTOR TUBE (HORN)	1
5	0042548	56 TO 42 REDUCER	1
6	0045319	42 CONNECTOR TUBE (HORN)	1
7	0040560	100 & 200 TUBE PLUG ASSEMBLY	1
8	0095257	LOCKING KNOB	1

200/52 MIXER GRINDER

DEFINITE PURPOSE STARTERS AND COMPONENTS

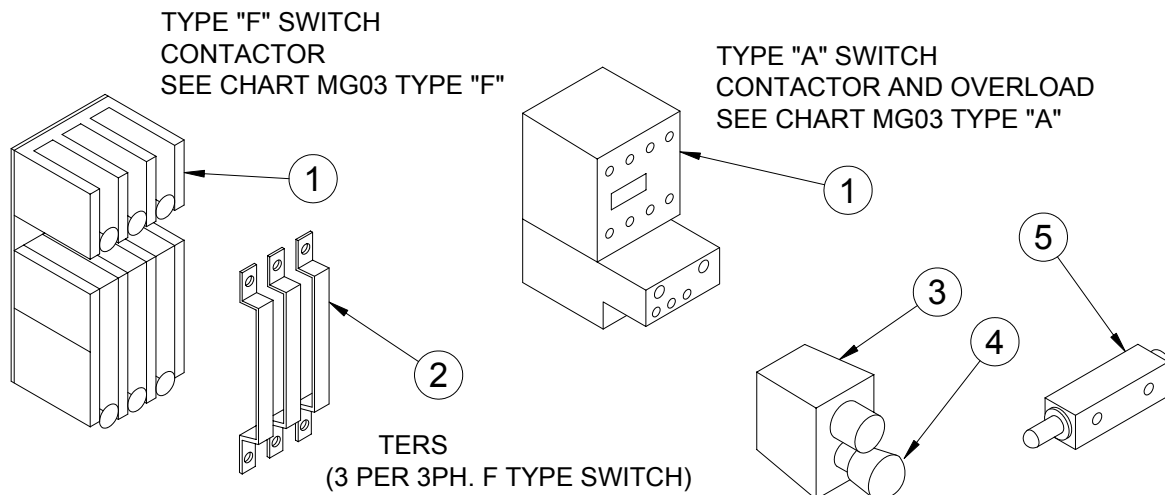
FOR 200/52 MIXER GRINDERS

S/N 101 TO 360

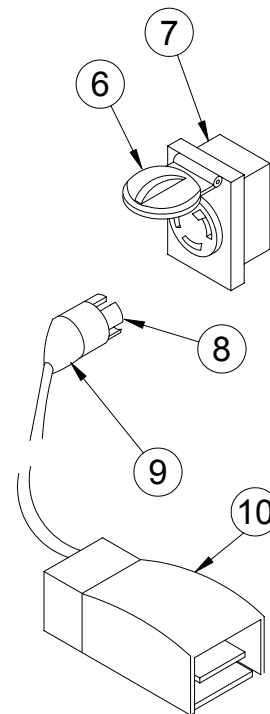
(THAT WERE MANUFACTURED BY "LASAR MFG.")

NOTE:

CHECK THE MOTOR TO CONFIRM THE AMP RATING FOR THE HP & VOLTAGE TO BE USED



HP	PH	VOLTAGE				"F" TYPE SWITCH WITH OUT HEATERS	"F" TYPE HEATERS		"A" TYPE SWITCH WITH OVERLOAD
		575V	460V	230V	200V	PART#	#	(QTY #3) PART#	PART#
7 1/2	3	8.3				0093010	E51	0093536	0093649
	3		10.6			0093008	E54	0093538	0093645
	3			21.2		0093011	E62	0093544	0093651
	3				25.0	0093011	E66	0093561	0093650
10	3	11.0				0093010	E54	0093538	0093649
	3		13.0			0093008	E56	0093540	0093646
	3			26.0		0093011	E67	0093546	0093657
	3				33	0093011	E70	0093547	0093659
15	3	16.5				0093010	E60	0093542	0093653
	3		20.4			0093012	E62	0093544	0093652
	3			40.8		0093015	E74	0093563	0093661
	3				45.0	0093015	E74	0093563	0093661



ITEM#	PART#	DESCRIPTION	QTY.
3	0093290	STOP BUTTON ASSEMBLY	1
4	0093285	PUSH BUTTON SWITCH ASSEMBLY	1
5	0093271	LIMIT SWITCH	1
6	0093118	COVER FOR RECEPTACLE	1
7	0093115	FOOT SWITCH RECEPTACLE (F)	1
8	0093114	FOOT SWITCH PLUG (M)	1
9	0093117	BOOT FOR FOOT SWITCH PLUG	1
10	0093052	FOOT SWITCH	1