

B[®]
U
T
C
H
E
R
B
O
Y

500 MIXER
OPERATING INSTRUCTIONS AND PARTS
LIST



MADE IN USA

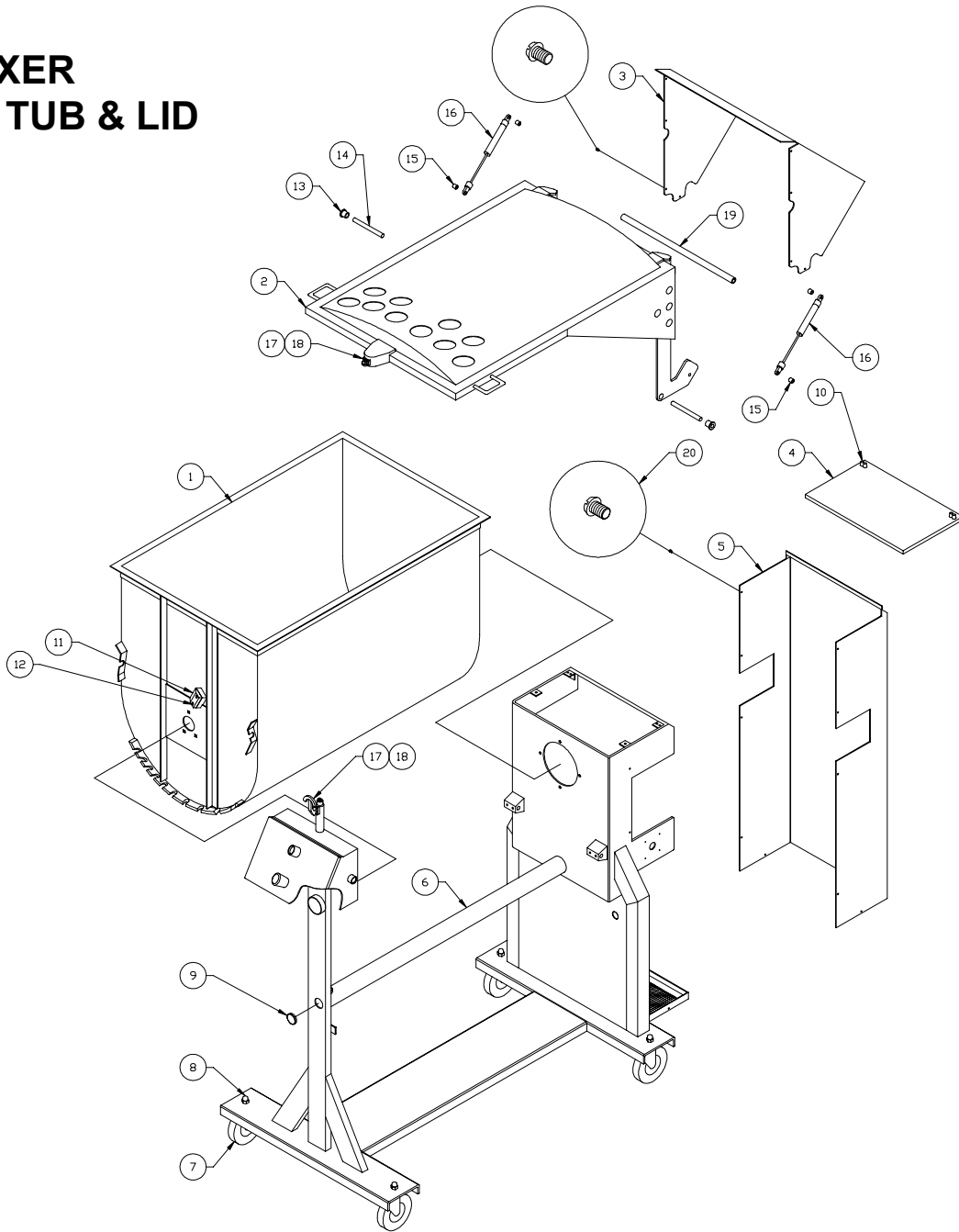
BUTCHER BOY =
QUALITY

DEPENDABILITY

SERVICE

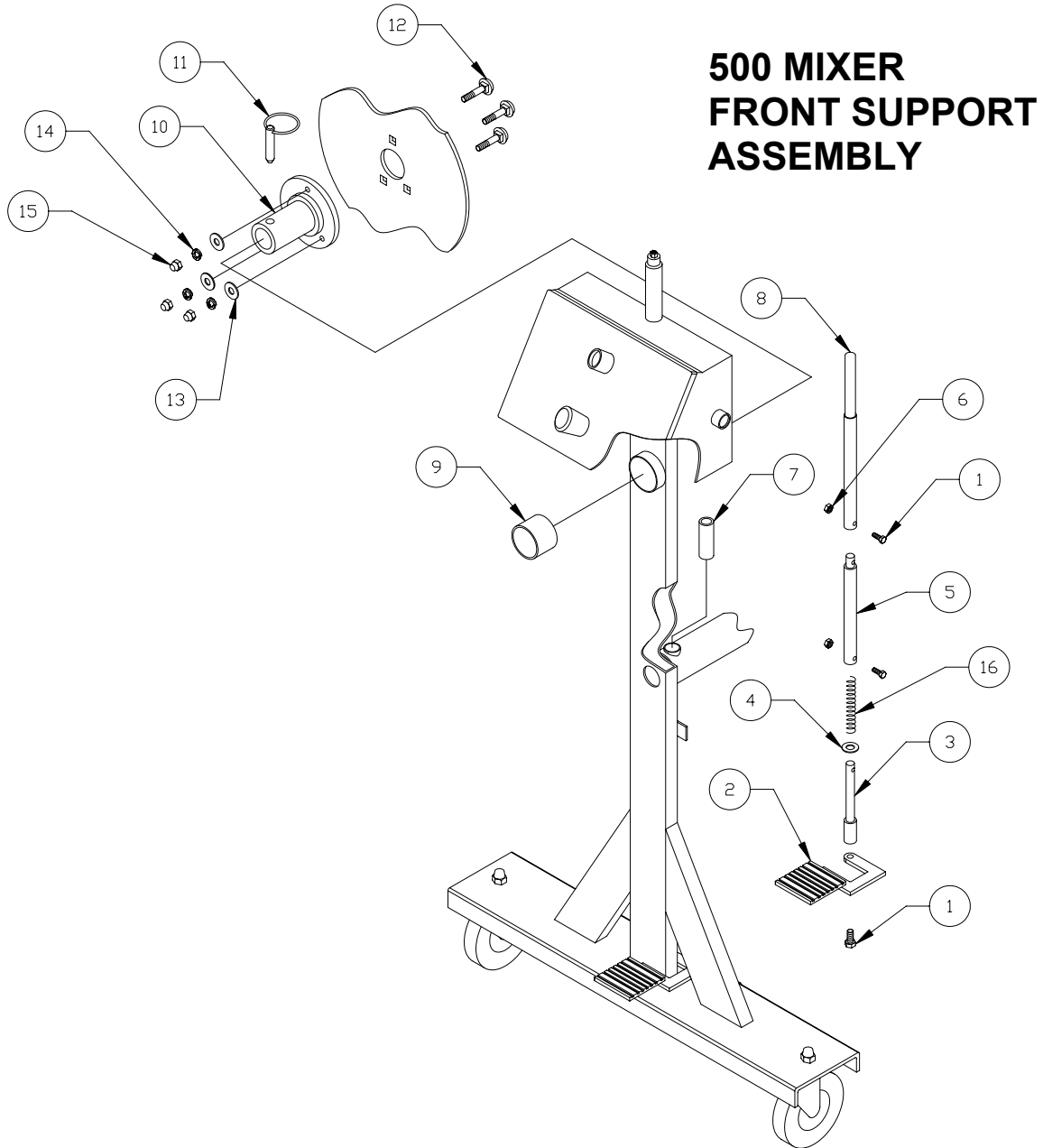
BUTCHER BOY 500 MIXER STAINLESS STEEL

500 MIXER BASE, TUB & LID



ITEM #	PART #	DESCRIPTION	QTY.	ITEM#	PART#	DESCRIPTION	QTY.
1	0050610	TUB	1	11	0025868	LIMIT SWITCH STOP	1
2	0050615	LID	1	12	FLHSS-1610-SS	FLAT HD SCREW	2
3	0050629	UPPER COVER	1	13	0050658	BUSHING	2
4	0050650	MIDDLE COVER	1	14	0050651	SHAFT	2
5	0050655	MOTOR COVER	1	15	0050660	SHOCK SPACER	4
6	0050630	FRAME ASSEMBLY	1	16	0095795	GAS SPRING	2
7	0090641	WHEELS	4	17	THSS-1604-SS	SCREW #10-32	4
8	NA-31-SS	ACORN NUT	4	18	0095799	RUBBER CLAMP	1
9	0095695	PLUG	1	19	0050654	BAR STOP	1
10	0090612	RUBBER STOP	4	20	RHSS-1504-SS	SCREW	20

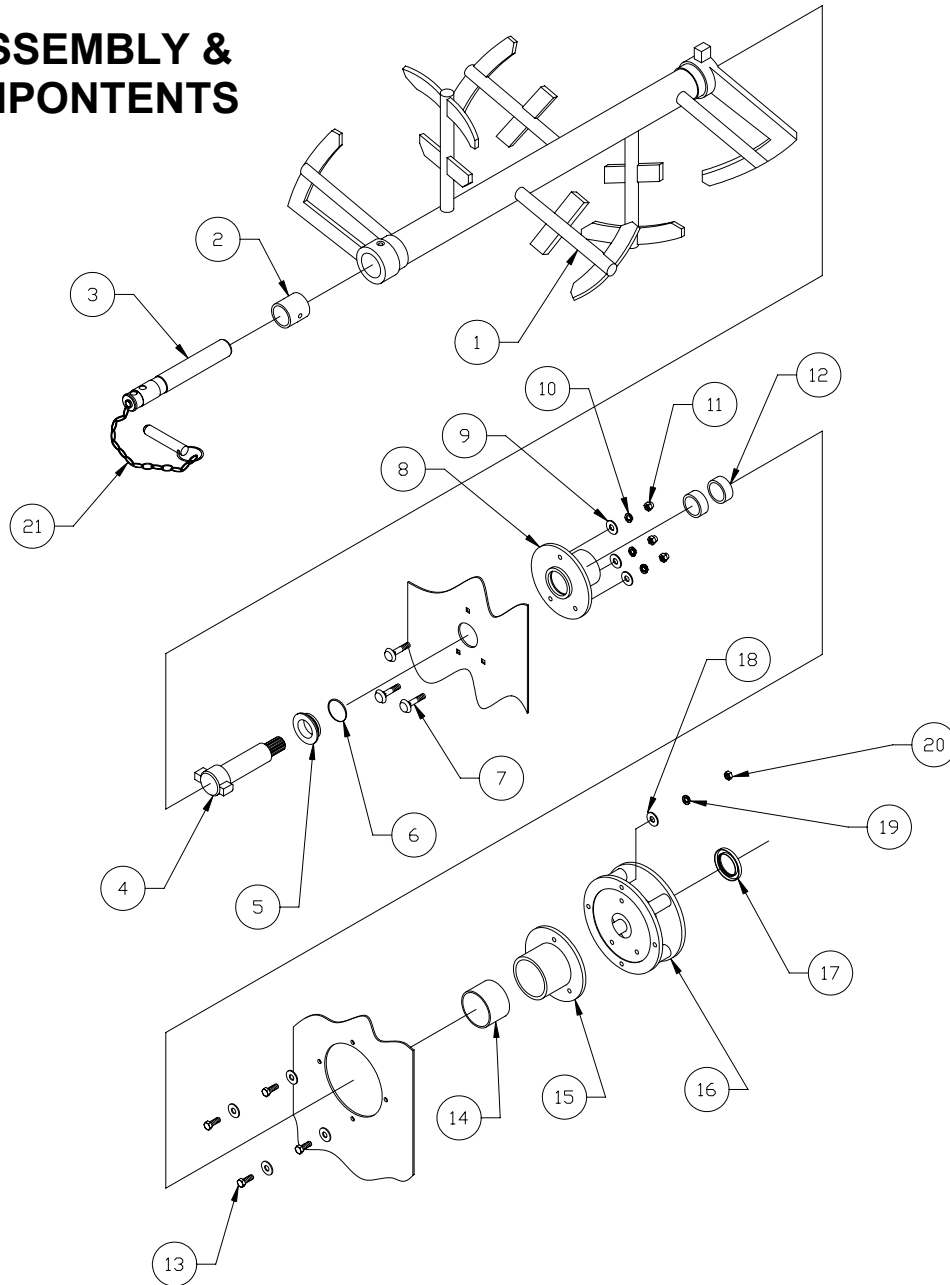
BUTCHER BOY 500 MIXER STAINLESS STEEL



ITEM#	PART#	DESCRIPTION	QTY.
1	HHCS-1908-SS	HEX SCREW	3
2	0050645	FOOT PLATE	1
3	0050672	BOTTOM PLUNGER	1
4	FW-27-SS	FLAT WASHER	1
5	0050663	MIDDLE PLUNGER	1
6	HN-NI-19-SS	NYLOCK NUT	2
7	0050642	BUSHING	1
8	0050671	TOP PLUNGER	1
9	0050673	BUSHING	1
10	0050665	FRONT HOUSING	1
11	0095800	LOCKING PIN	1
12	RHSN-2120-SS	CARRIAGE BOLT	3
13	FW-21-SS	FLAT WASHER	3
14	SLN-21-SS	LOCK WASHER	3
15	NA-21-SS	ACORN NUT	3
16	0050236	SPRING S/S	1

BUTCHER BOY 500 MIXER STAINLESS STEEL

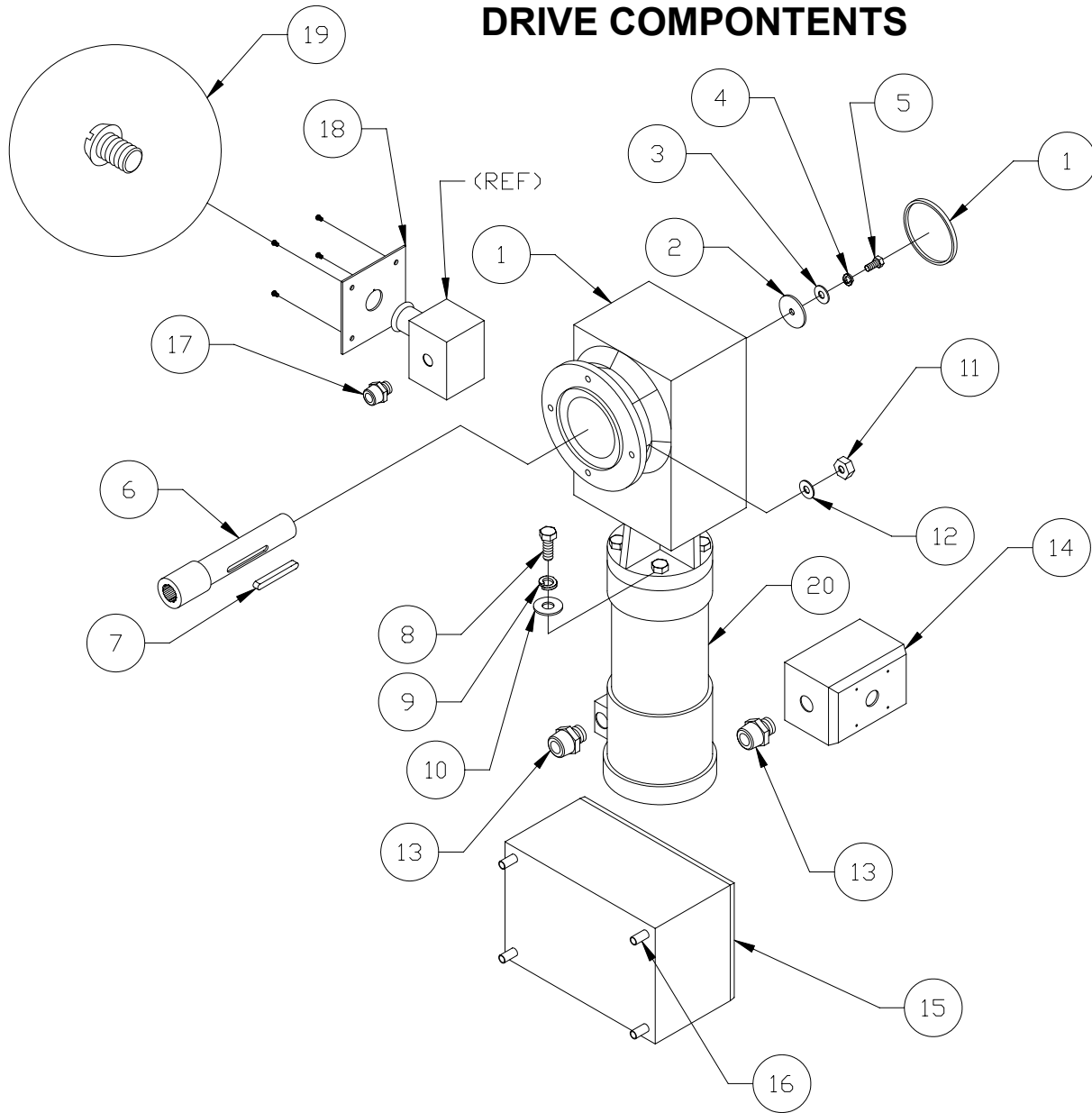
500 MIXER PADDLE ASSEMBLY & DRIVE COMPONENTS



ITEM#	PART#	DESCRIPTION	QTY.	ITEM#	PART#	DESCRIPTION	QTY.
1	0060344	500 MIXING PADDLE	1	12	0050657	BUSHING	2
2	0060332	SELF LINE BUSHING	1	13	HHCS-2112-SS	HEX HD SCREW	4
3	0050649	FRONT SHAFT	1	14	0050662	BUSHING	1
4	0050675	DRIVE SHAFT	1	15	0050661	REAR HOUSING	1
5	0050652	REMOVABLE BUSHING	1	16	0050685	GEARBOX PLATE	1
6	0050653	O-RING	1	17	0090486	SEAL	1
7	RHSN-2120-SS	CARRIAGE BOLT	3	18	FW-21-SS	FLAT WASHER	4
8	0050656	MIDDLE HOUSING	1	19	SLN-21-SS	LOCK WASHER	4
9	FW-21-SS	FLAT WASHER	3	20	HN-NI-21-SS	NYLOCK NUT	4
10	SLN-21-SS	LOCK WASHER	3	21	0050648	CHAIN	1
11	NA-21-SS	ACORN NUT	3				

BUTCHER BOY 500 MIXER STAINLESS STEEL

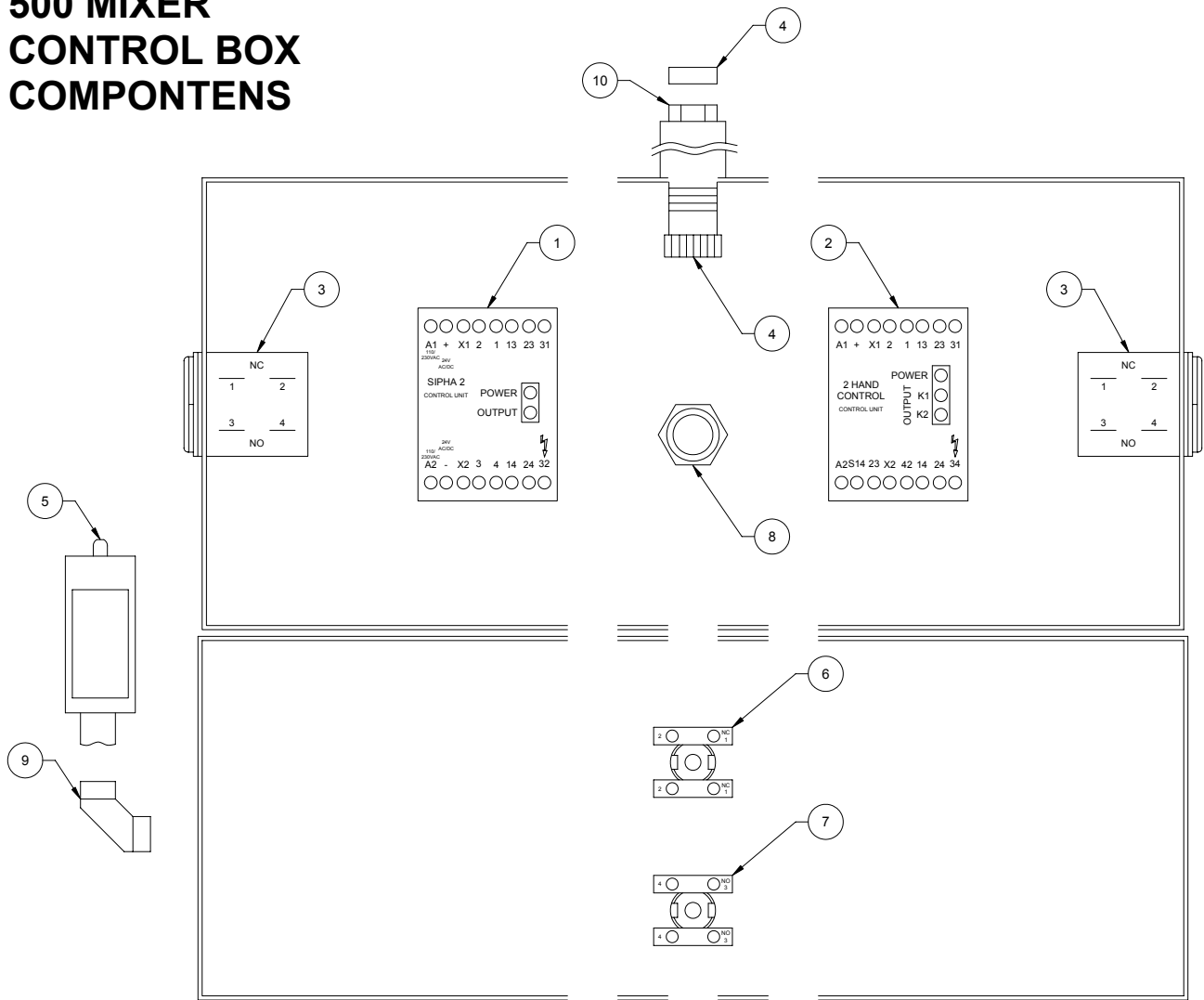
500 MIXER DRIVE COMPONENTS



ITEM#	PART#	DESCRIPTION	QTY.	ITEM#	PART#	DESCRIPTION	QTY.
1	0095801	GEARBOX	1	11	HN-23-SS	HEX NUT	4
2	0050686	WASHER	1	12	FW-23-SS	FLAT WASHER	4
3	FW-23-SS	FLAT WASHER	1	13	0095802	3/4 STRAIN RELIEFE	2
4	SLN-23-SS	LOCK WASHER	1	14	0093999-239	ELECTICAL BOX	1
5	HHCS-2308-SS	HEX SCREW	1	15	0095804	ELECTRICAL BOX	1
6	0050680	GEARBOX SHAFT	1	16	0050693	STAND OFF	4
7	0050688	KEY	1	17	0092158	1/2 STRAIN RELIEFE	1
8	HHCS-2720-SS	HEX SCREW	4	18	0050689	SWITCH PLATE	1
9	SLN-27-SS	LOCK WASHER	4	19	RHSS-1606-SS	SCREW	4
10	FW-27-SS	FLAT WASHER	4	20	0092159	3 HP BRAKE MOTOR	1

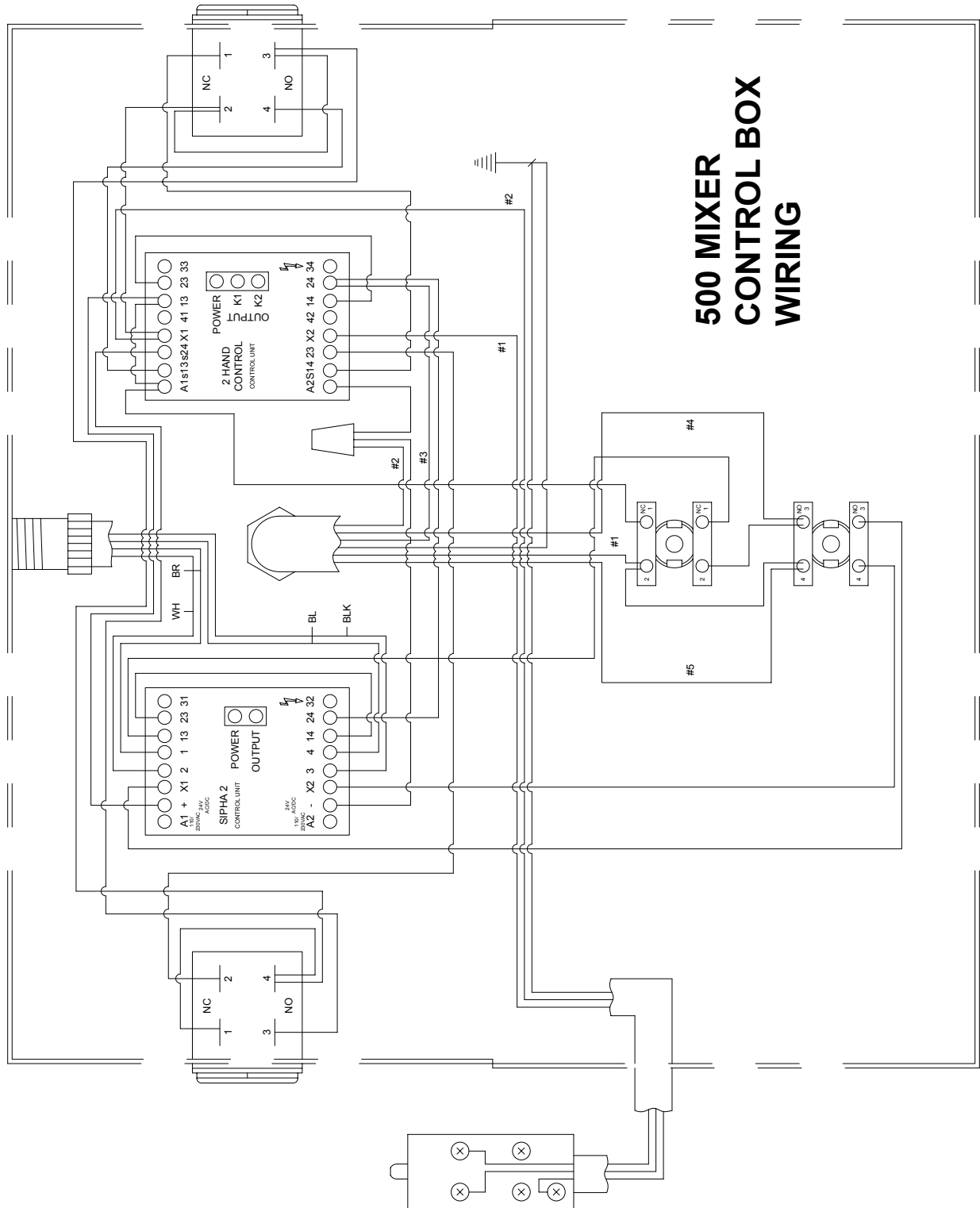
BUTCHER BOY 500 MIXER STAINLESS STEEL

500 MIXER CONTROL BOX COMPONENTS



ITEM #	PART #	DESCRIPTION	QTY.
1	0093999-205	CONTROL UNIT	1
2	0093999-206	LOGIC UNIT	1
3	0093999-208	TWO HAND START BUTTON	2
4	0093999-207	SENSOR & ACTUATOR SET	1
5	0093271	SAFETY LIMIT SWITCH	1
6	0093999-209	STOP BUTTON ASSEMBLY	1
7	0093999-210	START BUTTON ASSEMBLY	1
8	0095796	STRAIN RELIEF	1
9	0095795	ELBOW FITTING	1
10	0050608	SENSOR LOCK NUT	1

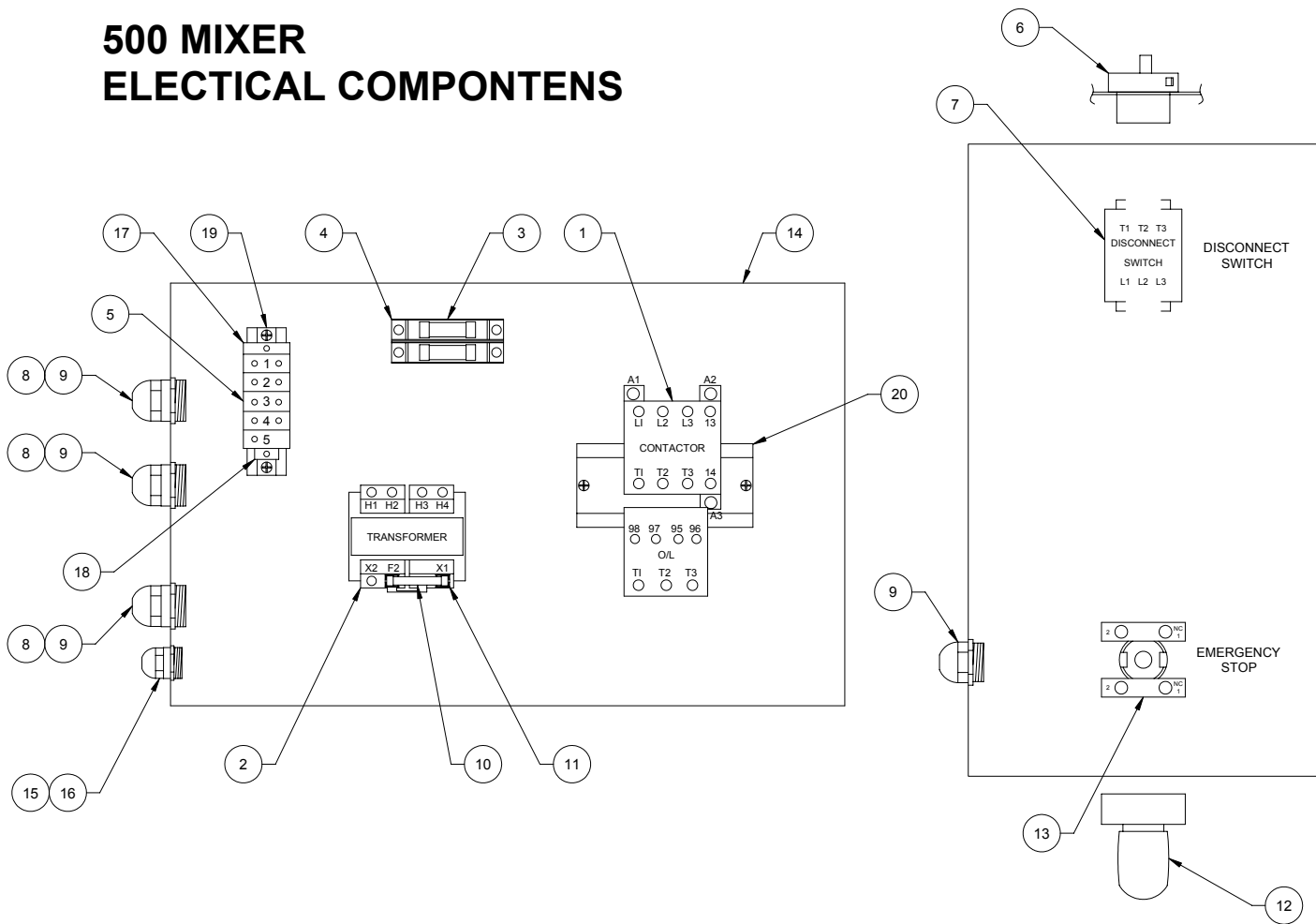
BUTCHER BOY 500 MIXER STAINLESS STEEL



500 MIXER CONTROL BOX WIRING

BUTCHER BOY 500 MIXER STAINLESS STEEL

500 MIXER ELECTICAL COMPONENTS



ITEM #	PART #	DESCRIPTION	QTY.
1	0093999-109	STARTER (460-575V)	1
2	0093999-095	TRANSFORMER (208-460/24V)	1
3	0093999-025	(F1) 3/10 A FUSE	2
4	0093999-024	FUSE HOLDER (PRIMARY)	1
5	0093999-070	TERMINAL BLOCKS	5
6	0093999-055	DISCONNECT HANDLE	1
7	0093999-023	DISCONNECT SWITCH	1
8	0093999-180	3/4" WATER TIGHT HUB	3
9	0093999-131	3/4" STRAIN RELIEFE	4
10	0093999-018	(F2) 2 8/10 A FUSE	1
11	0093999-096	FUSE CLIP	1
12	0093290	PUSH BUTTON ASSEMBLY	1
13	0093999-209	STOP BUTTON	1
14	0093999-160	ENCLOSURE	1
15	0095769	1/2" STRAIN RELIEF	1
16	0093999-132	1/2" WATER TIGHT HUB	1
17		GROUND TERMINAL	1
18		END TERMINAL	1
19		TERMINAL RAIL	1
20		DIN RAIL	1

BUTCHER BOY 500 MIXER STAINLESS STEEL

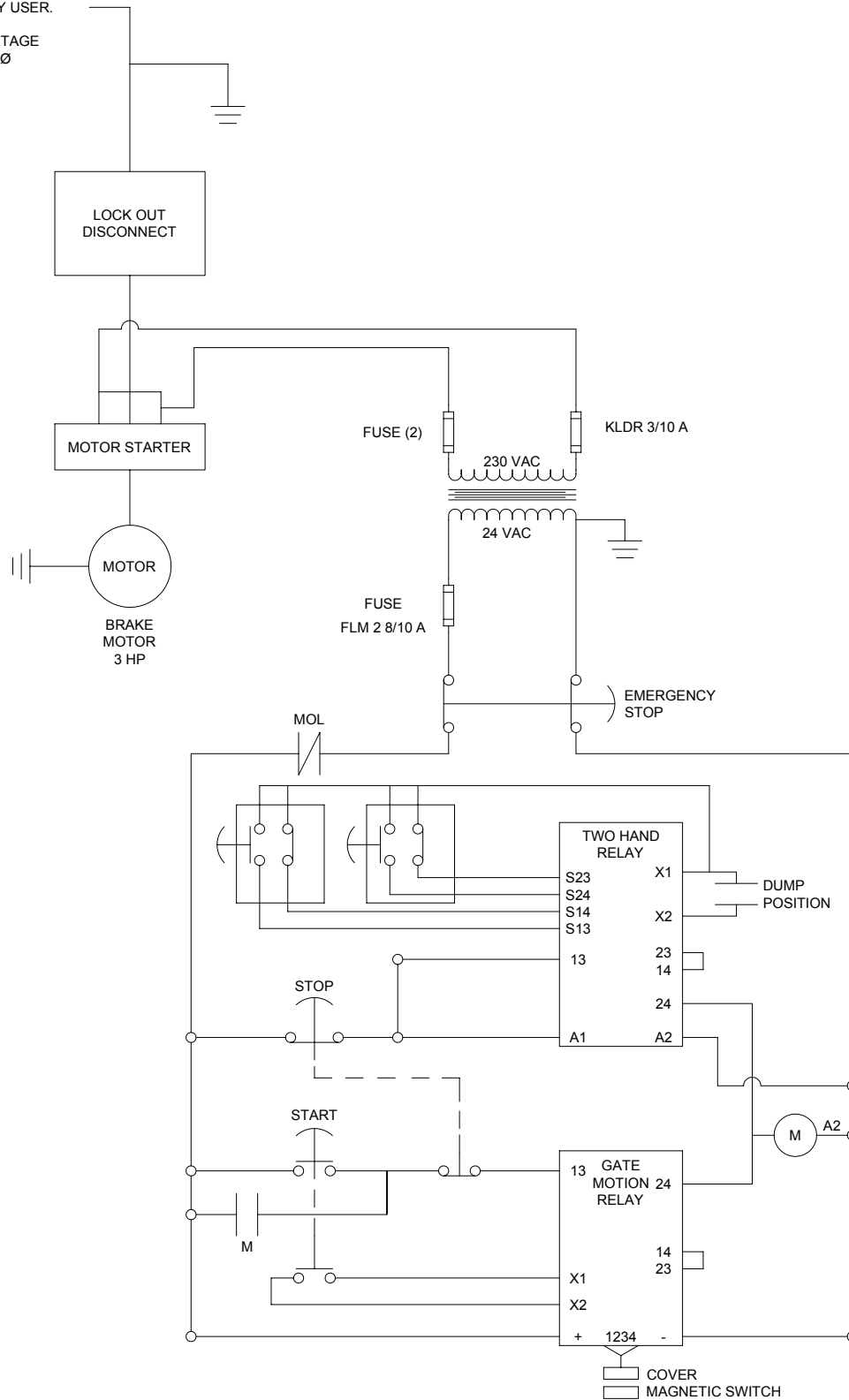
500 MIXER

230V 3Ø ELECTRICAL SCHEMATICS

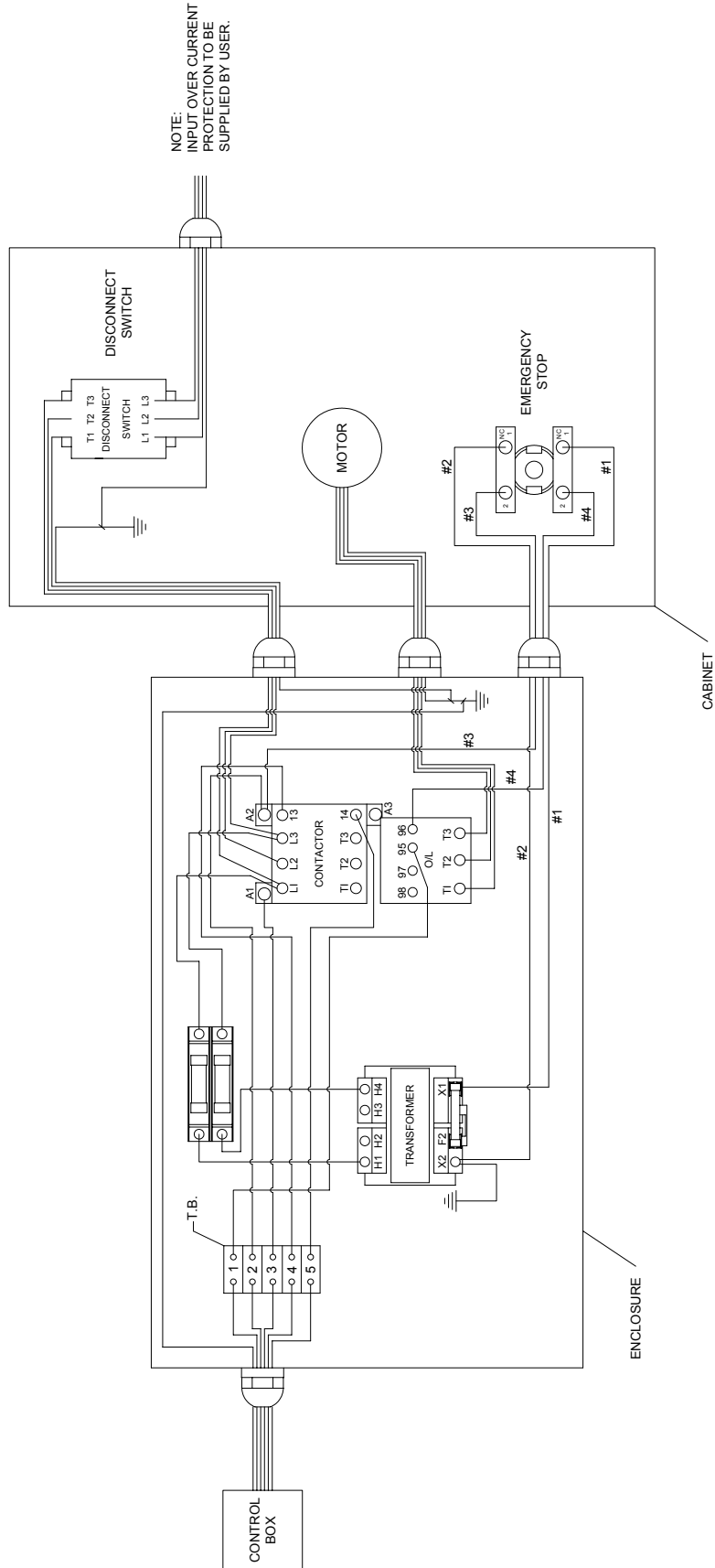
THIS PAGE FOR USE BY QUALIFIED TECHNICIANS ONLY

NOTE:
INPUT OVER CURRENT
PROTECTION TO BE
SUPPLIED BY USER.

INPUT VOLTAGE
230V 3Ø



BUTCHER BOY 500 MIXER STAINLESS STEEL



NOTE:
INPUT OVER CURRENT
PROTECTION TO BE
SUPPLIED BY USER.

500 MIXER 230V 3Ø WIRING ENCLOSURE BOX