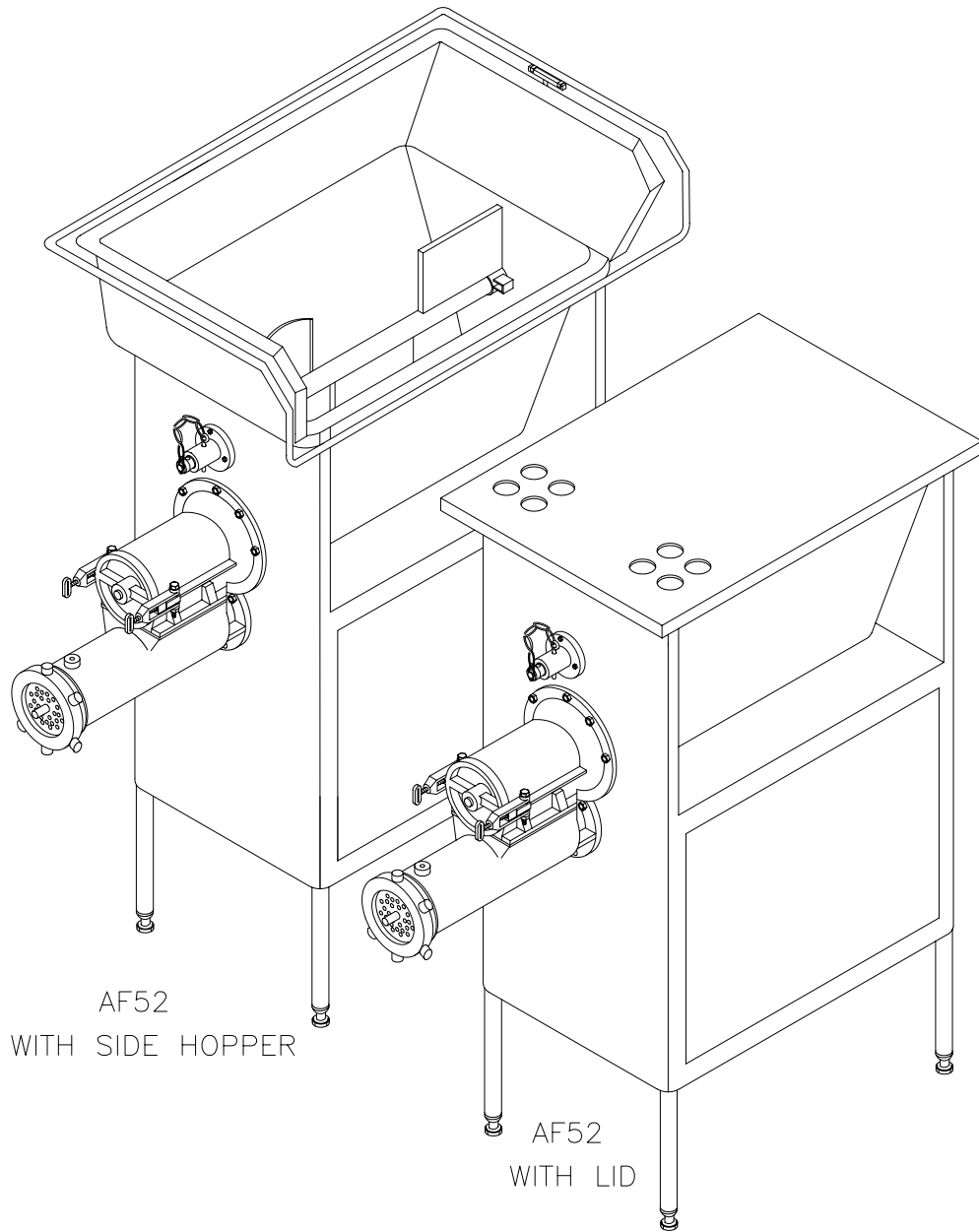
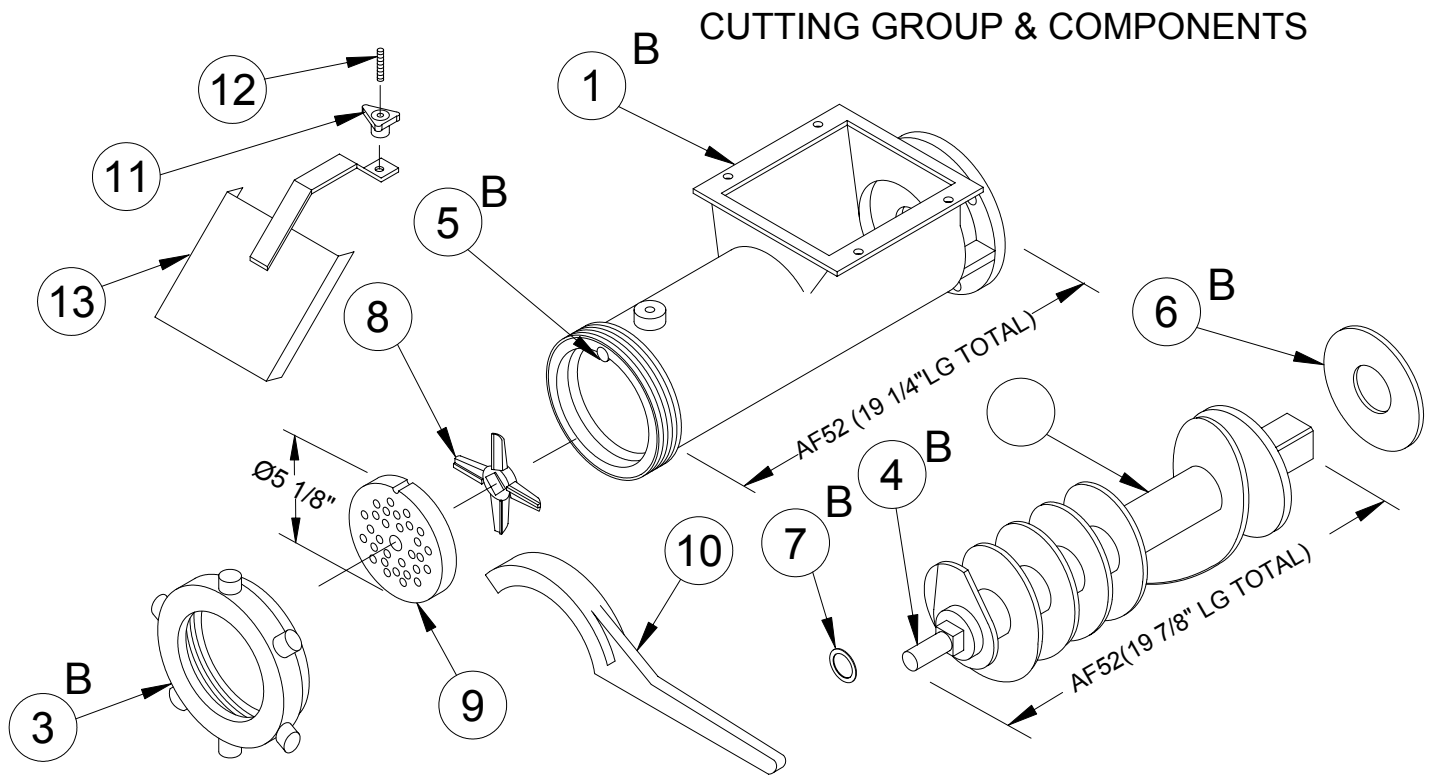


# REPLACEMENT PARTS MANUAL FOR AF 52 AUTO-GRINDERS S/N 101 TO 280



(THAT WERE MANUFACTURED BY "LASAR MFG." UNTILL 1988)  
AMERICAN MEAT EQUIPMENT CORP. HAD NO CONNECTION TO THE  
DESIGN, MANUFACTURING OR SALES OF THESE MACHINES

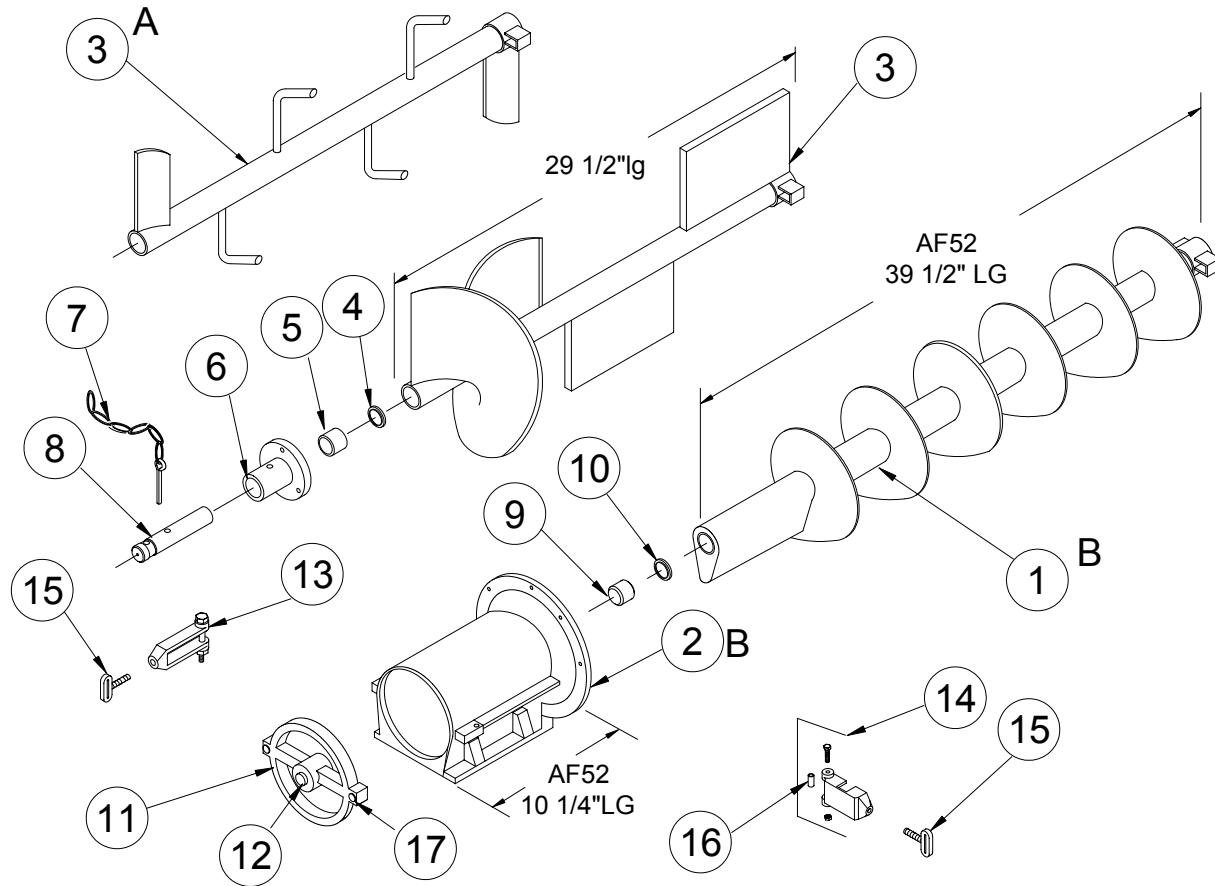
# REPLACEMENT PARTS FOR AF52 AUTO-GRINDER (THAT WERE MANUFACTURED BY "LASAR MFG" UNTIL 1988)



ITEM#	PART#	DESCRIPTION	QTY.
1B	0043210	AF 52 BOWL (PLATED)	1
1B-SS	<a href="#">0043210S</a>	AF 52 BOWL (S/S)	1
2B	<a href="#">0043201</a>	AF 52 FEED SCREW ASSY (PLATED)	1
2B-SS	<a href="#">0043201S</a>	AF 52 FEED SCREW ASSY (S/S)	1
3B	<a href="#">0053016</a>	AF 52 KNIFE & PLATE RING (PLATED)	1
3B-SS	<a href="#">0053016S</a>	AF 52 KNIFE & PLATE RING (S/S)	1
4B	<a href="#">0052026</a>	AF 52 FEED SCREW STUD	1
5B	00DP-05-24	PIN PLATE HOLDER	1
6B	0059274	52 SPACER BETWEEN BOWL & FEED SCREW	1
7B	0095655	52 SHIM FEED SCREW STUD	1
8	<a href="#">0090934P</a>	52 KNIFE (PREMIUM)	1
9A	0090931	52 - 1/8" HOLE PLATE	1
9B	<a href="#">0090932</a>	52 - 3/16" HOLE PLATE	1
9C	0090935	52 - 1/4" HOLE PLATE	1
9D	<a href="#">0090933</a>	52 - 3/8" HOLE PLATE	1
10	<a href="#">0059188</a>	WRENCH	1
10-SS	0043620	S/S WRENCH	1
11	<a href="#">0059224</a>	HAND WHEEL SPURT GUARD	1
12	0059223S	S/S STUD HAND WHEEL	1
13	0059208	SPURT GUARD	1

# REPLACEMENT PARTS FOR AF52 AUTO-GRINDER (THAT WERE MANUFACTURED BY "LASAR MFG" UNTIL 1988)

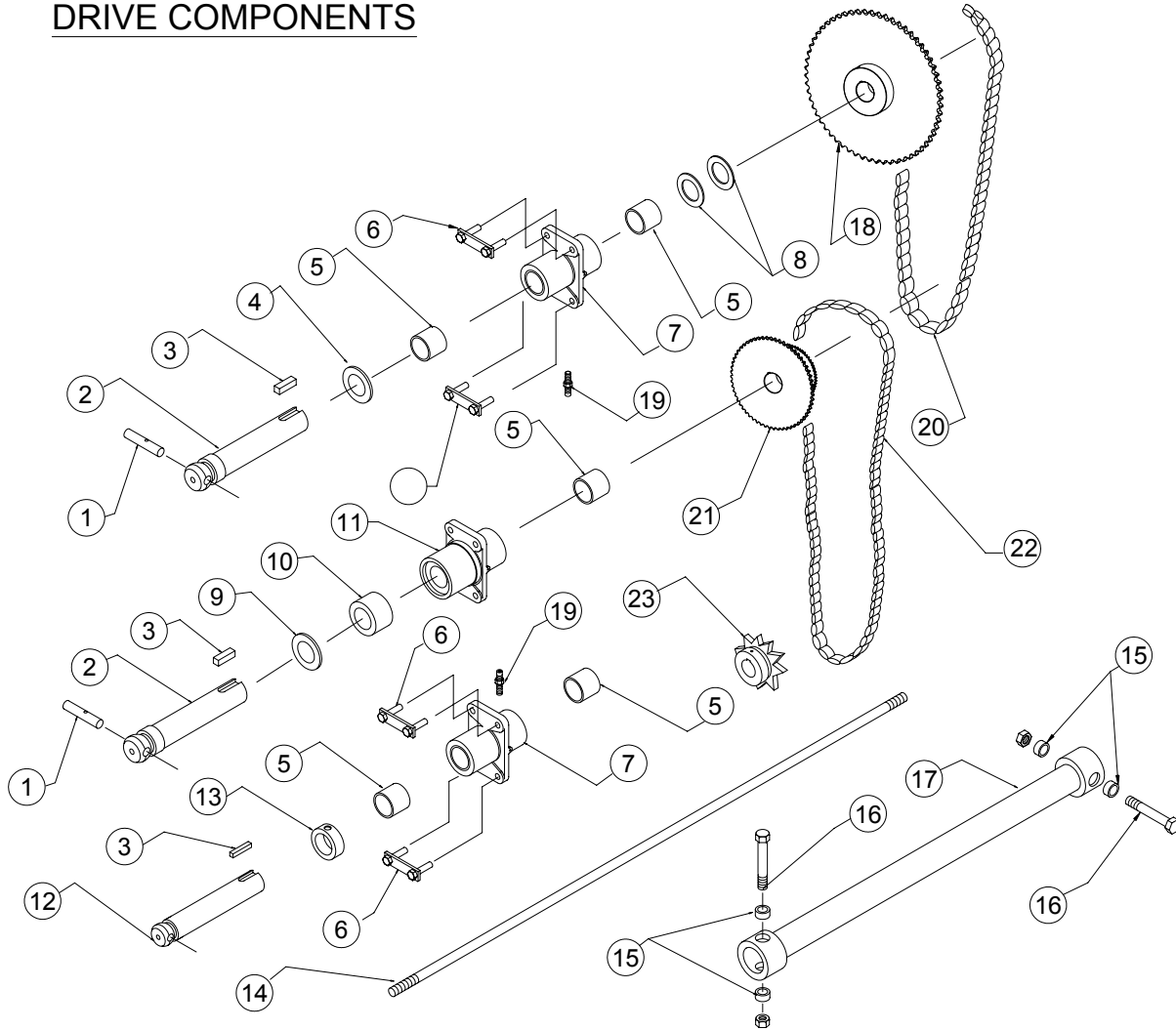
## AGITATOR, CONVEYOR, FEEDBOX & COMPONENTS



ITEM#	PART#	DESCRIPTION	QTY	ITEM#	PART#	DESCRIPTION	QTY.
1B	0043336S	CONVEYOR ASSY W/BUSH	1	9	0059373	NYLON BUSHING CONV.	1
2B	0043212	FEED BOX (ALUM)	1	10	0059243	PLUG CONVEYOR	1
2B-S	0043212S	FEED BOX (S/S)	1	11	0043047S	S/S COVER & SHAFT FEED BOX	1
3	0043190S	AGITATOR W/BUSH	1	12	0058103	FRONT SHAFT FEED BOX	1
3A	0043254S	AGITATOR W/BUSH (SPECIAL)	1	13	0059148	SWING CLAMP LH	1
4	0059244	PLUG AGITATOR	1	14	0043560	SWING CLAMP RH (SAFETY)	1
5	0059373	NYLON BUSHING AGITATOR	1	15	0059158	THUMB SCREW	1
6	0058116	FRONT BRKT AGIT. (PLATED)	1	15-S	0059158S	S/S THUMB SCREW	1
6-S	0058116-S	FRONT BRKT AGIT. (S/S)	1	16	0059149	BUSHING SWING CLAMP	1
7	0026547S	PIN & CHAIN ASSEMBLY	1	17	0059193S	S/S RIVET CONV. COVER	1
8	058117	FRONT SHAFT AGITATOR	1				

# REPLACEMENT PARTS FOR AF52 AUTO-GRINDER (THAT WERE MANUFACTURED BY "LASAR MFG" UNTIL 1988)

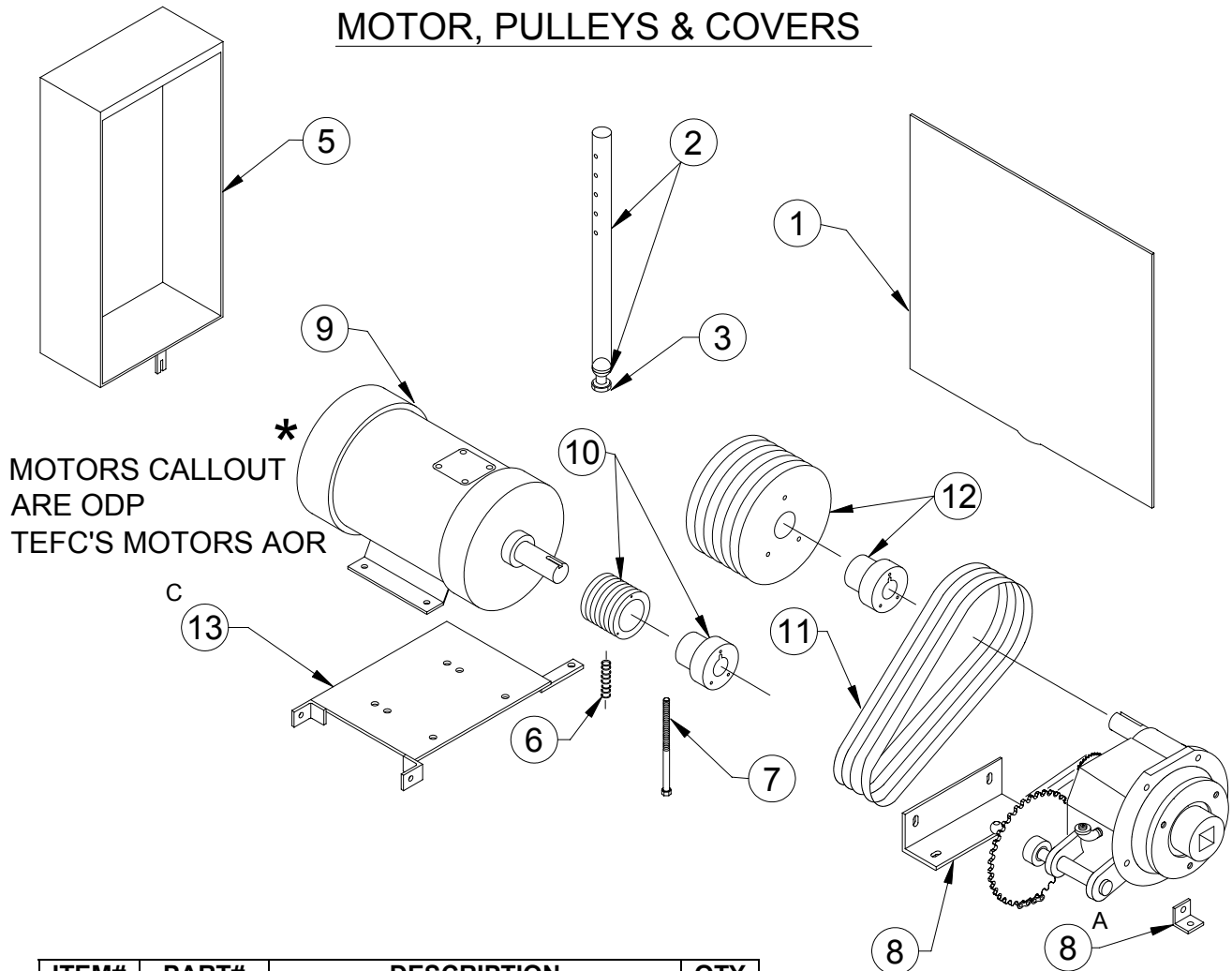
## DRIVE COMPONENTS



ITEM#	PART#	DESCRIPTION	QTY	ITEM#	PART#	DESCRIPTION	QTY.
1	0045048	DRIVE PIN (BALL DRIVE ONLY)	2	13	0043151	COLLAR	1
2	0043044S	UPPER & MIDDLE DRIVE SHAFT	2	14	0043197	TIE BAR	2
3	0059247-4	KEY	3	15	0043131	BUSHING DRIVE TUBE	4
4	0043156	S/S WASHER	1	16	0090657	SPECIAL BOLT & NUT	2
5	0090701	BUSHING (2) FOR #7 (1) FOR #10	5	17	0043240	DRIVE TUBE	1
6	0043143	UPPER & LOWER STUD PLATE ASSY.	4	18	0043625	UPPER SPROCKET	1
7	0043057	UPPER & LOWER BEAR BRKT W/(2) #4	2	19	0043206S	ADJ SCR UPPER & LOWER CHAIN	2
8	0043089	SPACER WASHER	2	20	0091139	UPPER CHAIN ASSY	1
9	0043213	THRUST WASHER	1	21	0043550	DOUBLE SPROCKET ASSY	1
10	0043117	THRUST BEARING	1	22	0091109	LOWER CHAIN ASSY	1
11	0043055	MIDDLE BEARING BRKT W/ #5 & #9	1	23	0043280	LOWER SPROCKET	1
12	0043042	LOWER DRIVE SHAFT	1				

# REPLACEMENT PARTS FOR AF52 AUTO-GRINDER (THAT WERE MANUFACTURED BY "LASAR MFG" UNTIL 1988)

## MOTOR, PULLEYS & COVERS

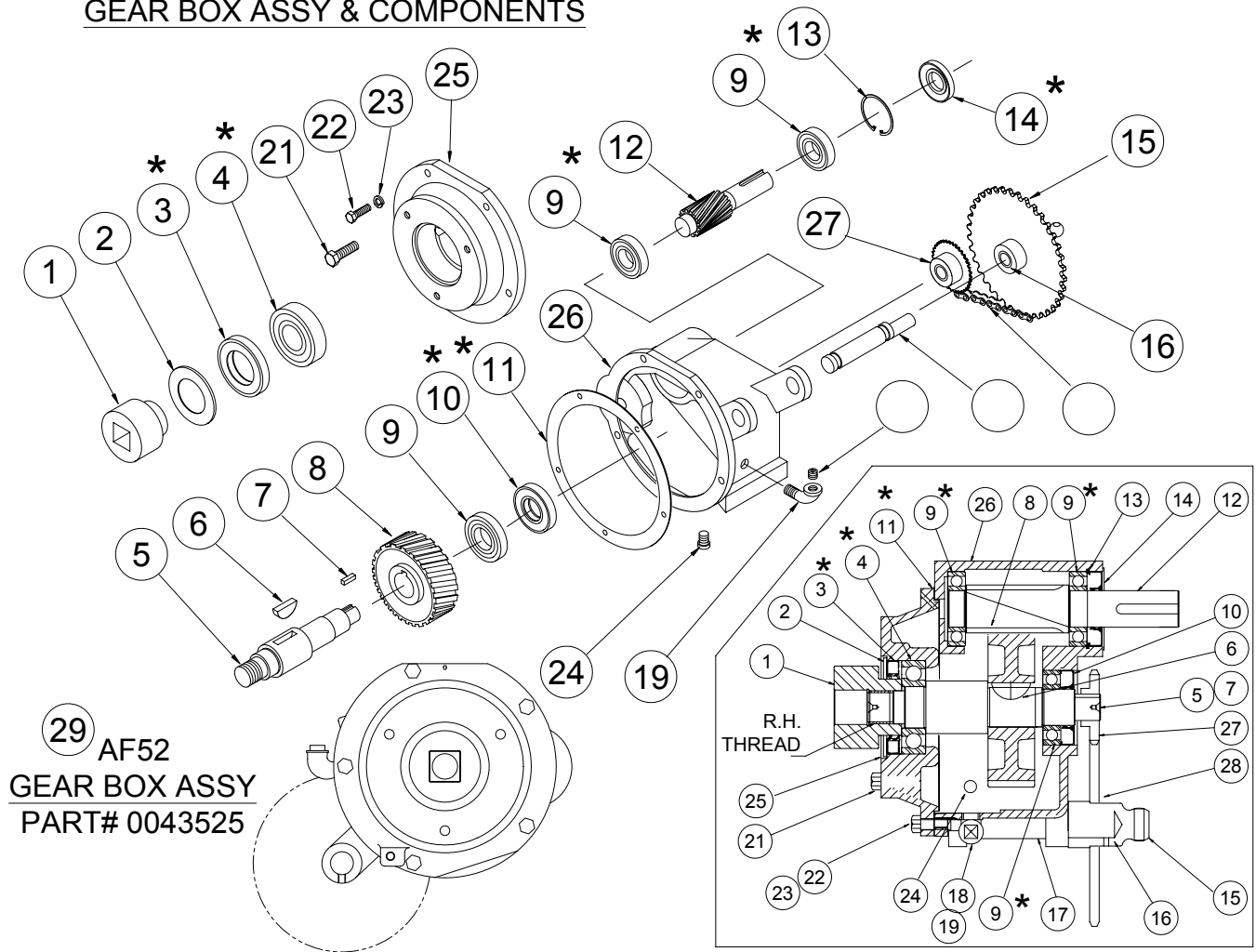


AF52 GEAR BOX SHOWN  
FOR GEAR BOX ASSY AND  
COMPONENTS SEE P 5A

ITEM#	PART#	DESCRIPTION	QTY
1	0043545S	SIDE COVER	2
2	0059226S	S/S LEG W/INSERT & FOOT #3	4
3	0059390	INSERT & FOOT ASSEMBLY	4
4			
5	0043541S	CHAIN COVER ASSEMBLY	1
6	0043157	TENSION SPRING	1
7	0043155	TENSION STUD	1
8	0043529	G.B. SUPPORT BRKT	1
8A	0043185	G.B. SUPPORT ANGLE	1
9	0092257	MOTOR 10 HP, 3 PH, ODP	1
9	0092298	MOTOR 15 HP, 3 PH, ODP	1
10	0043278	MOTOR PULLEY & HUB 10 HP, 6 GR	1
10	0043279	MOTOR PULLEY & HUB 15 HP, 6 GR	1
11	0090504	BELT	4
12	0043276	G.B. PULLEY & HUB 4GR	1
13C	004355S	MOTOR MOUNT	1

# REPLACEMENT PARTS FOR AF52 AUTO-GRINDER (THAT WERE MANUFACTURED BY "LASAR MFG" UNTIL 1988)

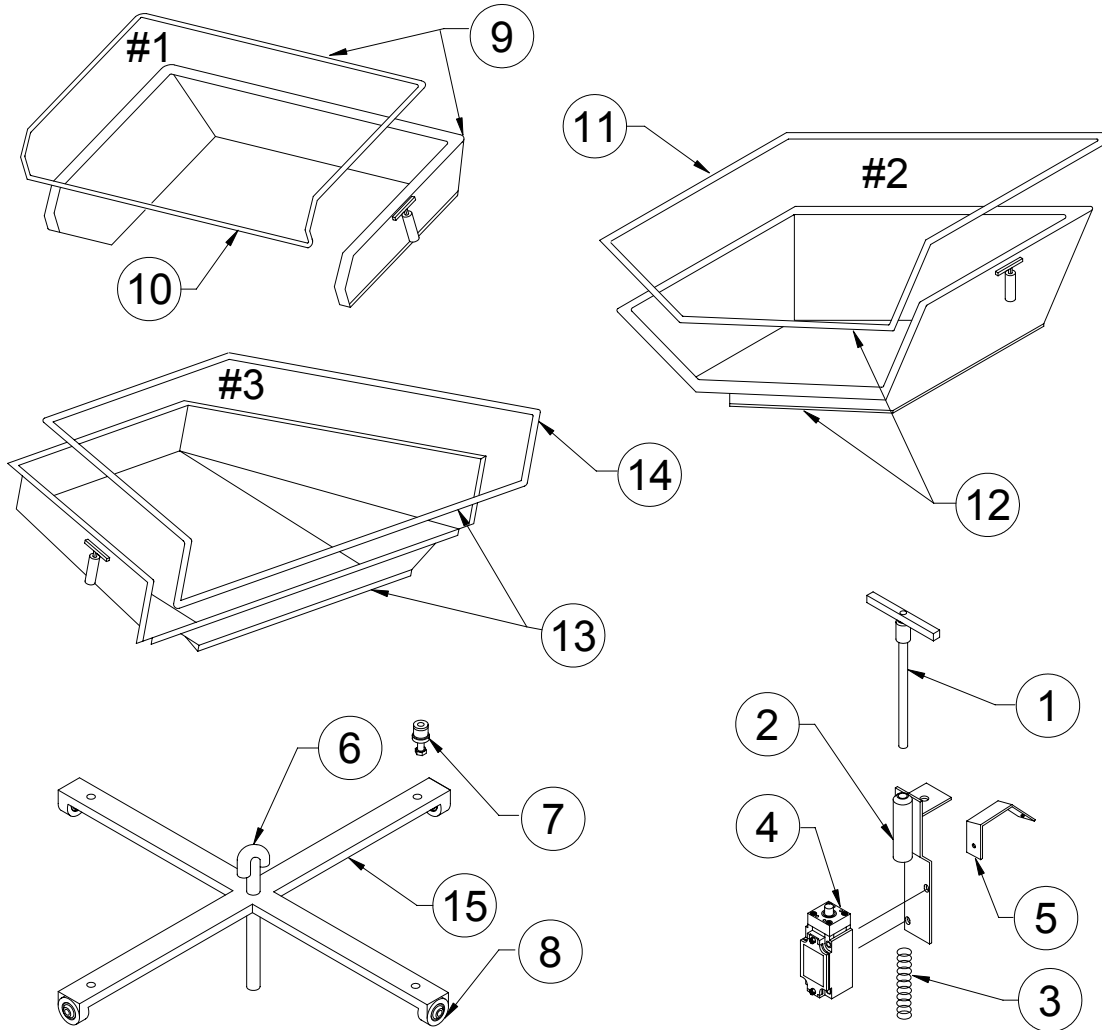
## GEAR BOX ASSY & COMPONENTS



ITEM#	PART#	DESCRIPTION	QTY	ITEM#	PART#	DESCRIPTION	QTY
1	0059060	DRIVE CHUCK	1	16	0090702	BUSHING SPROCKET	1
2	0043148	SEAL WASHER	1	17	0043122	JACK SHAFT SPROCKET	1
*3	0090405	SEAL (LARGE)	1	18	0090613	PIPE PLUG	1
*4	0090303	THRUST BEARING	1	19	0090620	PIPE ELBOW	1
5	0043016	DRIVE SHAFT	1	*20	0043650	REBUILDING KIT	1
6	009060	WOODRUFF KEY	1	21	HHCS-27-24-SS	SCREW	3
7	0059247-4	KEY	1	22	HHCS-23-16-SS	SCREW	5
8		GEAR (PURCHASE W/ #12)	1	23	SLW-06-SS	LOCK WASHER	5
*9	0090304	BEARING HOUSING	3	24	0090613	PLUG	1
*10	0090406	SEAL (SMALL DRIVE SHAFT)	1	25	0043527	COVER GEAR BOX	1
*11	0059061	GASKET	1	26	0043526	HOUSING GEAR BOX	1
12	0043181	PINION & GEAR WHEEL #8	1	27	0091009	SMALL SPROCKET	1
13	0090205	RETAINING RING HOUSING	1	28	0091105	CHAIN ASSEMBLY	1
*14	0090404	SEAL (PINION)	1	29	0043525	GEAR BOX ASSEMBLY	1
15	0043063	SPROCKET ASSY W/BUSH #16	1				

# REPLACEMENT PARTS FOR AF52 AUTO-GRINDER (THAT WERE MANUFACTURED BY "LASAR MFG" UNTIL 1988)

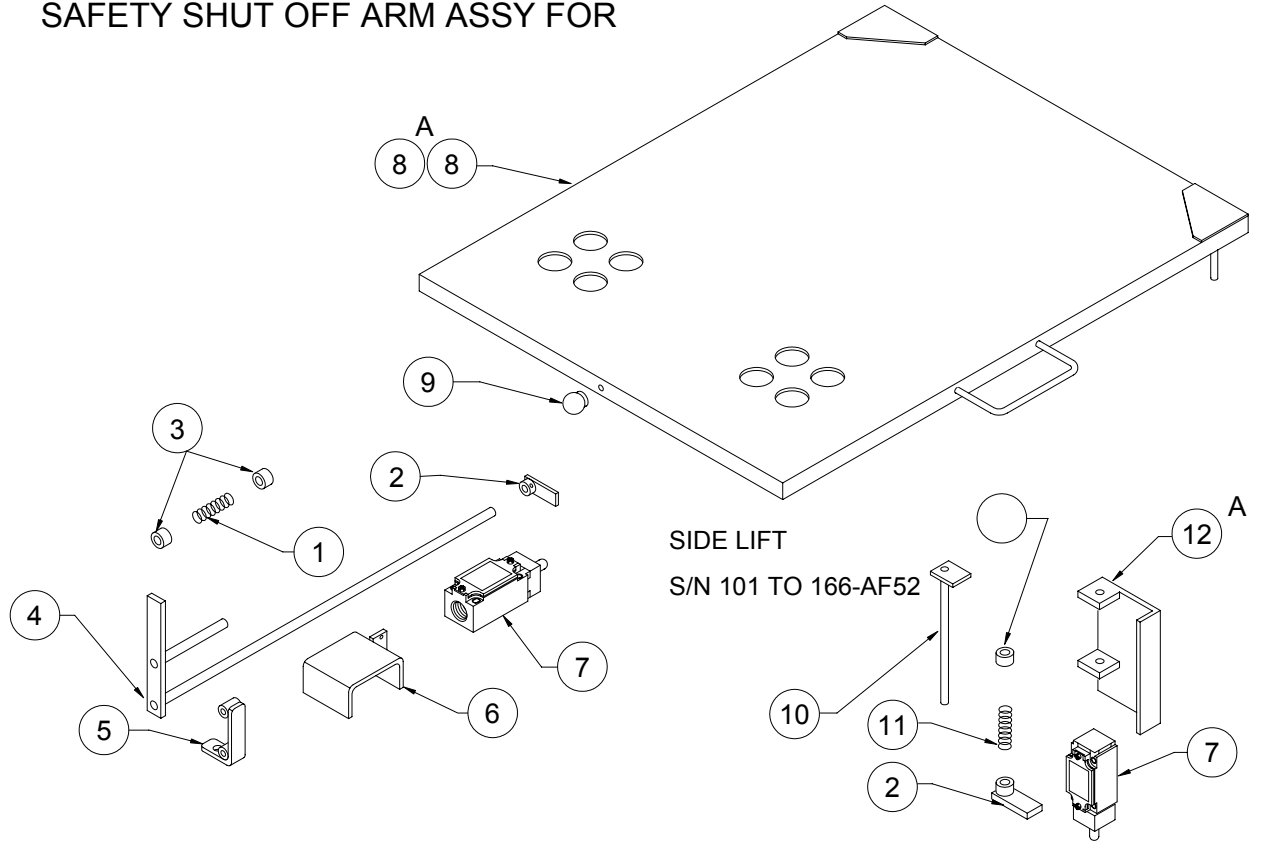
## HOPPERS WITH SAFETY RAIL, & ROTARY BASE ASSY & COMPONENTS



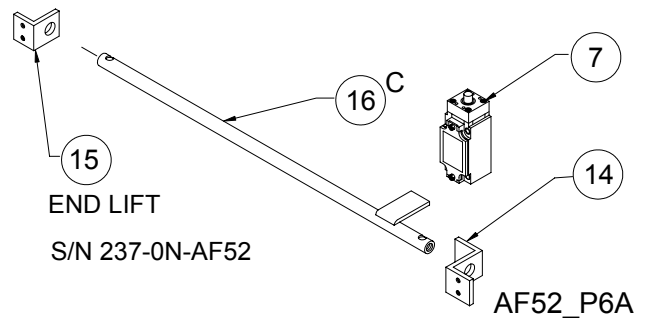
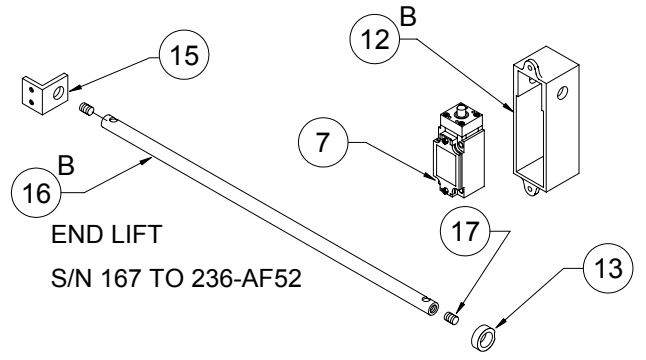
ITEM#	PART#	DESCRIPTION	QTY	ITEM#	PART#	DESCRIPTION	QTY
1	0043360	SAFETY PIVOT PIN	1	9	0043410	#1 HOPPER & RAIL ASSY.	1
2	0043385	TENSION TUBE ASSY	1	*10	0043415	SAFETY RAIL #1 HOPPER	1
3	0043341	SPRING	1	11	0043420	#2 HOPPER & RAIL ASSY	1
4	0093271	LIMIT SWITCH	1	*12	0043425	SAFETY RAIL #2 HOPPER	1
5	0043411	BRACKET FOR #1 HOPPER	1	13	0043430	#3 HOPPER & RAIL ASSY	1
6	0058391S	PIVOT PIN	1	*14	0043435	SAFETY RAIL #3 HOPPER	1
7	0059392	ADJ HOLD DOWN BOLT	4	15	0043610	ROTARY BASE & COMP	1
8	0095035	CASTERS	4				

# REPLACEMENT PARTS FOR AF52 AUTO-GRINDER (THAT WERE MANUFACTURED BY "LASAR MFG" UNTIL 1988)

## SAFETY SHUT OFF ARM ASSY FOR



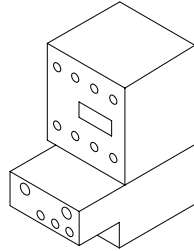
ITEM#	PART#	DESCRIPTION	QTY
1	0010802	SPRING	1
2	0043595	REAR SHUT OFF BAR ASSY	1
3	0095006	COLLAR	2
4	0043565S	SHUT OFF ARM ASSY	1
5	0043470	SHUT OFF BRKT ASSY (42)	1
6	0043575S	SHUT OFF CHANNEL ASSY	1
7	0093271	LIMIT SWITCH	1
8	0043530	LID SIDE LIFT	1
8A	0043630	LID END LIFT	1
9	0090638	KNOB	1
10	0043585	REAR SHUT OFF ARM	1
11	0043341	SPRING	1
12A	0043590	REAR SWITCH BRKT	1
12B	0043635	LIMIT SWITCH BOX	1
13	0040437	SWITCH CAM	1
14	0043599	BRACKET	1
15	0043598	BRACKET	1
16B	0043628	LID PIVOT ROD	1
16C	0043636	LID PIVOT ROD	1
17	SHSS-28-08-SS	SCREW	2



# REPLACEMENT PARTS FOR AF52 AUTO-GRINDER (THAT WERE MANUFACTURED BY "LASAR MFG" UNTIL 1988)

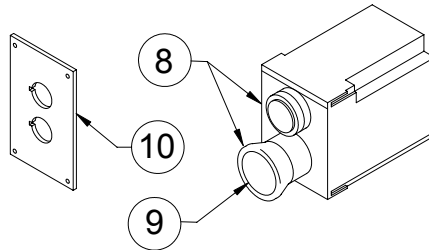
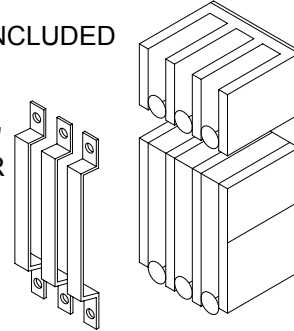
## ELECTRICAL COMPONENTS

TYPE "A" SWITCH  
(CONTACTER & O/L)



TYPE "F" SWITCH CONTACTER  
(3) HEATERS  
NOT INCLUDED

(3)  
TYPE "F"  
HEATER



ITEM#	PART#	DESCRIPTION	QTY
8	0093285	START STOP PUSH BUTTON ASSEMBLY	1
9	0093290	STOP BUTTON FOR (CHECK BRAND)	1
10	0040104	SWITCH HOLDER PLATE	1

CHART G25					"F" TYPE			"A" TYPE	
		VOLTAGE				"F" TYPE CONTACTOR		"F" TYPE HEATERS (3) REQUIRE	"A" TYPE CONTACTOR & O/L
		575V	460V	230V	208V	PART#	"H"#	PART#	PART#
10 HP	3 PH	10.4				0093010	E54	0093538	0093649
			13.0			0093008	E56	0093540	0093646
				26.0		0093011	E67	0093546	0093657
					28.0	0093011	E69	0093555	0093657
15 HP	3 PH	15.7				0093010	E60	0093542	0093653
			19.6			0093012	E61	0093543	0093652
				39.2		0093015	E73	0093549	0093661
					45.0	0093015	E74	0093563	0093661