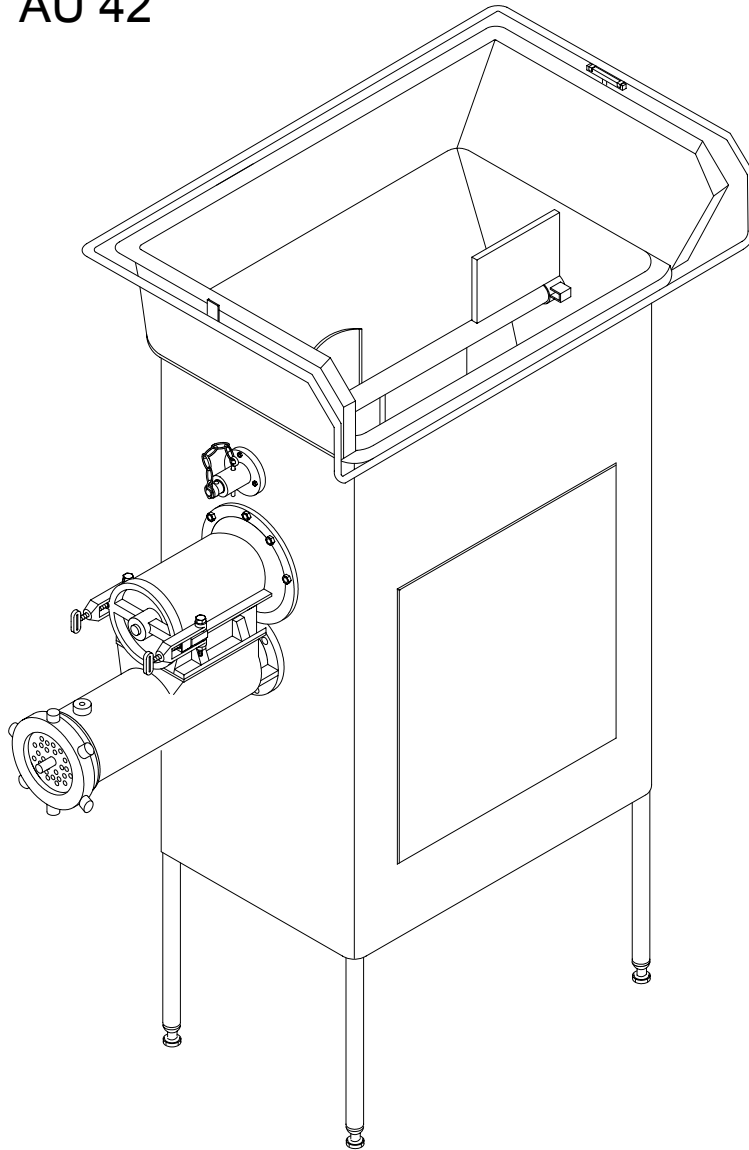


REPLACEMENT PARTS MANUAL FOR AU42 AUTO-GRINDERS S/N 101 TO 299

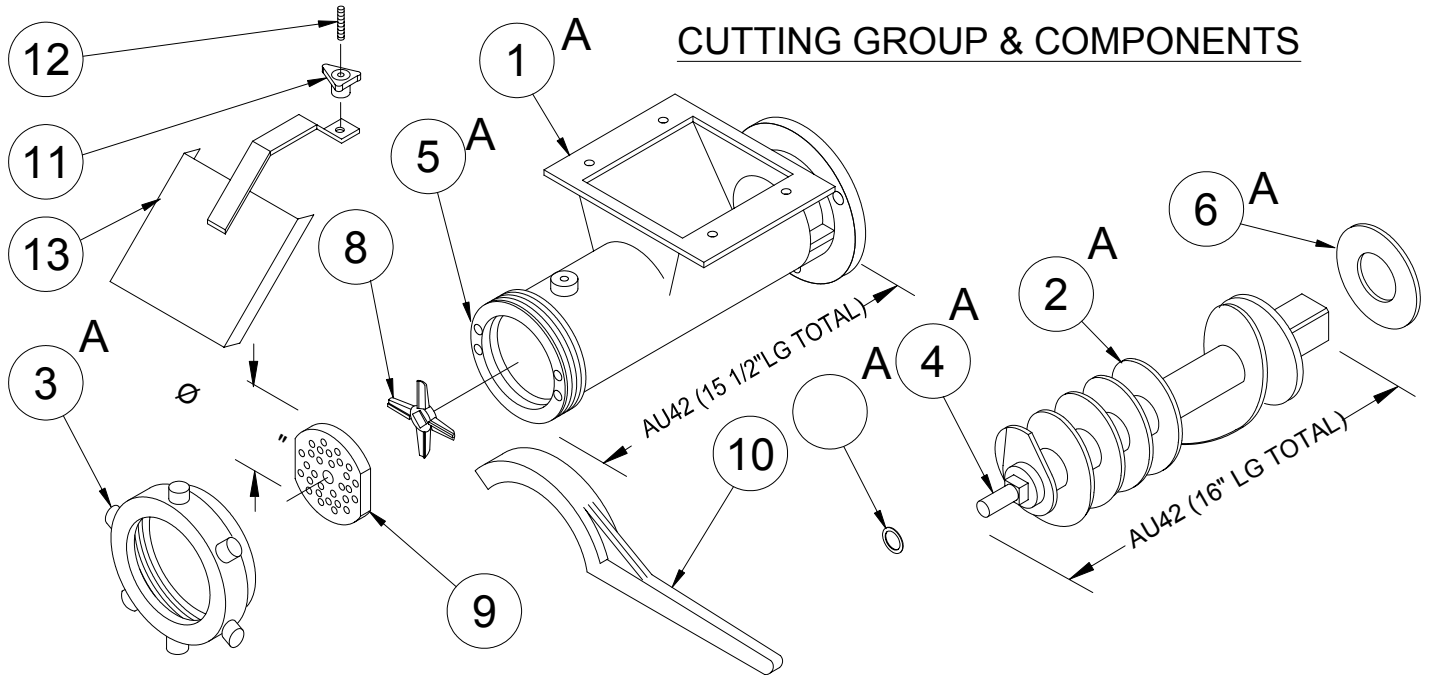
AU 42



(THAT WERE MANUFACTURED BY "LASAR MFG." UNTILL 1988)
AMERICAN MEAT EQUIPMENT CORP. HAD NO CONNECTION TO THE
DESIGN, MANUFACTURING OR SALES OF THESE MACHINES

REPLACEMENT PARTS FOR AU42 AUTO-GRINDER

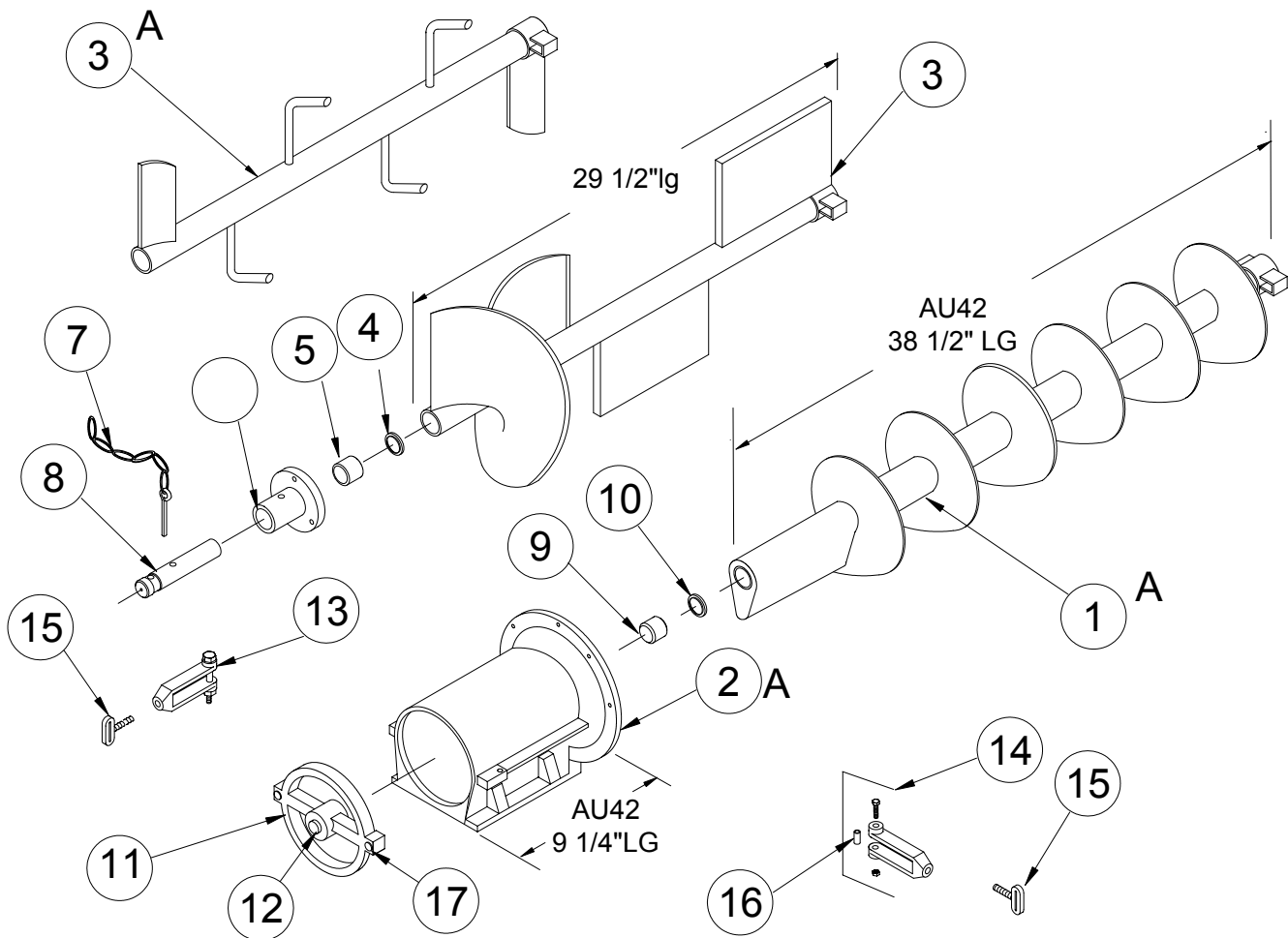
(THAT WERE MANUFACTURED BY "LASAR MFG" UNTIL 1988)



ITEM#	PART#	DESCRIPTION	QTY.
1A	0043011	AU42 BOWL	1
2A	0043138	AU42 FEED SCREW ASSEMBLY	1
3A	0042516	AU42 KNIFE & PLATE RING	1
4A	0021038	42 FEED SCREW STUD	1
5A	0059232	SCREW PLATE HOLDER	4
6A	0059273	A42 SPACER BETWEEN BOWL & F.S.	1
7A	0095113	A42 SHIM-FEED SCREW STUD	1
8i	00909251	42 KNIFE (INVESTMENT)	1
8P	0090925P	42 KNIFE (PREMIUM)	1
9A	0090921	42 - 1/8" HOLE PLATE	1
9B	0090922	42 - 3/16" HOLE PLATE	1
9C	0090920	42 - 1/4" HOLE PLATE	1
9D	0090923	42 - 3/8" HOLE PLATE	1
10	0059188	WRENCH	1
10-SS	0043620	SS WRENCH	1
11	0059224	HAND WHEEL SPURT GUARD	1
12	0059223S	SS STUD HAND WHEEL	1
13	0059208	SPURT GUARD	1

REPLACEMENT PARTS FOR AU42 AUTO-GRINDER (THAT WERE MANUFACTURED BY "LASAR MFG" UNTIL 1988)

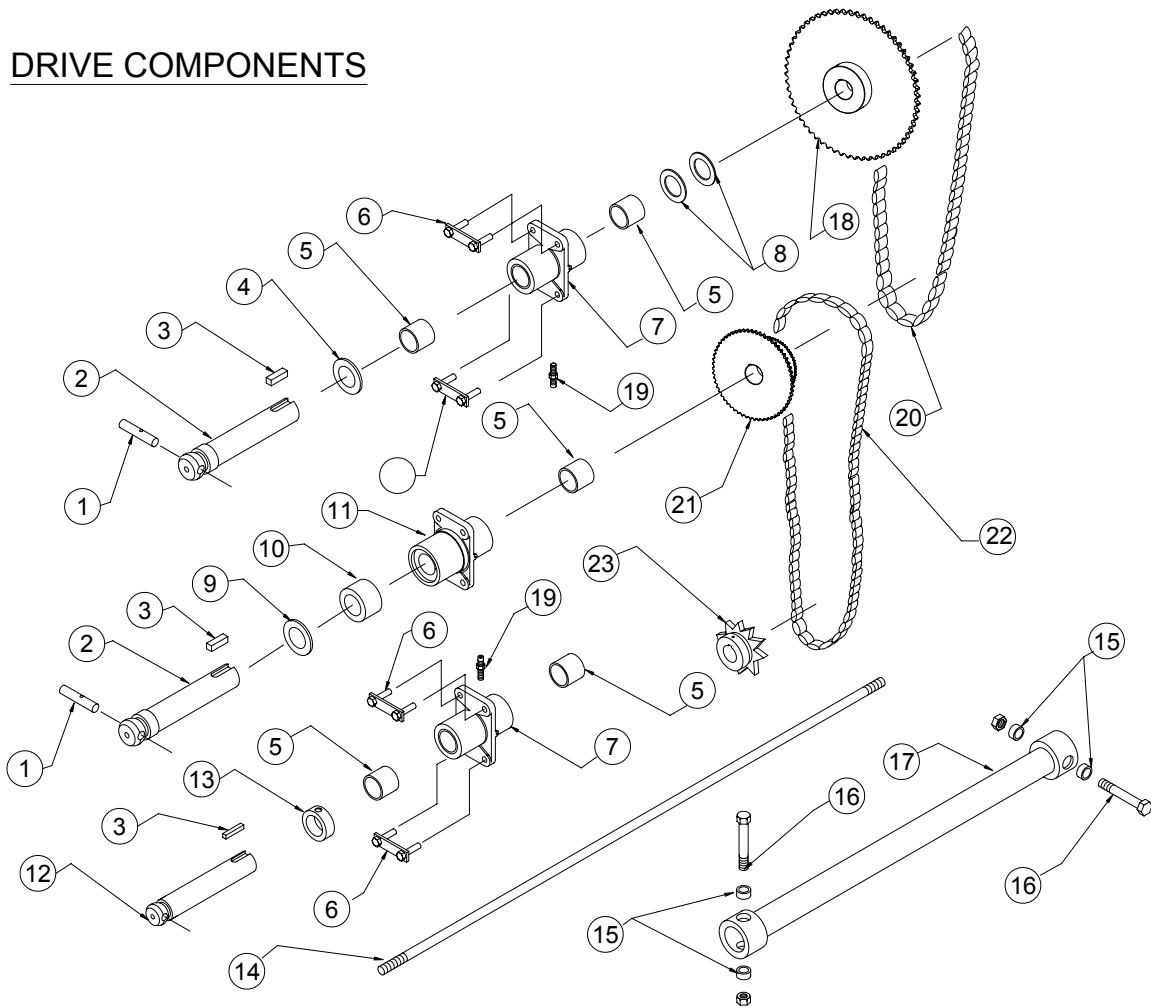
AGITATOR, CONVEYOR, FEEDBOX & COMPONENTS



ITEM#	PART#	DESCRIPTION	QTY.	ITEM#	PART#	DESCRIPTION	QTY.
1A	0043334S	CONVEYOR ASSY. W/BUSH	1	8	0058117	FRONT SHAFT AGITATOR	1
2A	0043012	FEEDBOX (ALUM)	1	9	0059373	NYLON BUSHING CONV.	1
2A-S	0043012S	FEEDBOX (S/S)	1	10	0059243	PLUG CONVEYOR	1
3	0043190S	AGITATOR W/BUSHING	1	11	0043047S	S/S COVER & SHAFT FEED BOX	1
3A	0043254S	AGITATOR W/BUSH (SPECIAL)	1	12	0058103	FRONT SHAFT FEED BOX	1
4	0059244	PLUG AGITATOR	1	13	0059148	SWING CLAMP	2
5	0059373	NYLON BUSHING AGITATOR	1	15	0059158	THUMB SCREW	2
6	0058116	FRONT BRKT AGIT. (PLATED)	1	15S	0059158S	S/S THUMB SCREW	2
6-S	0058116S	FRONT BRKT AGITATOR S/S	1	16	0059149	BUSHING SWING CLAMP	2
7	0026547S	PIN & CHAIN ASSEMBLY	1	17	0059193S	S/S RIVET CONV. COVER	2

REPLACEMENT PARTS FOR AU42 AUTO-GRINDER (THAT WERE MANUFACTURED BY "LASAR MFG" UNTIL 1988)

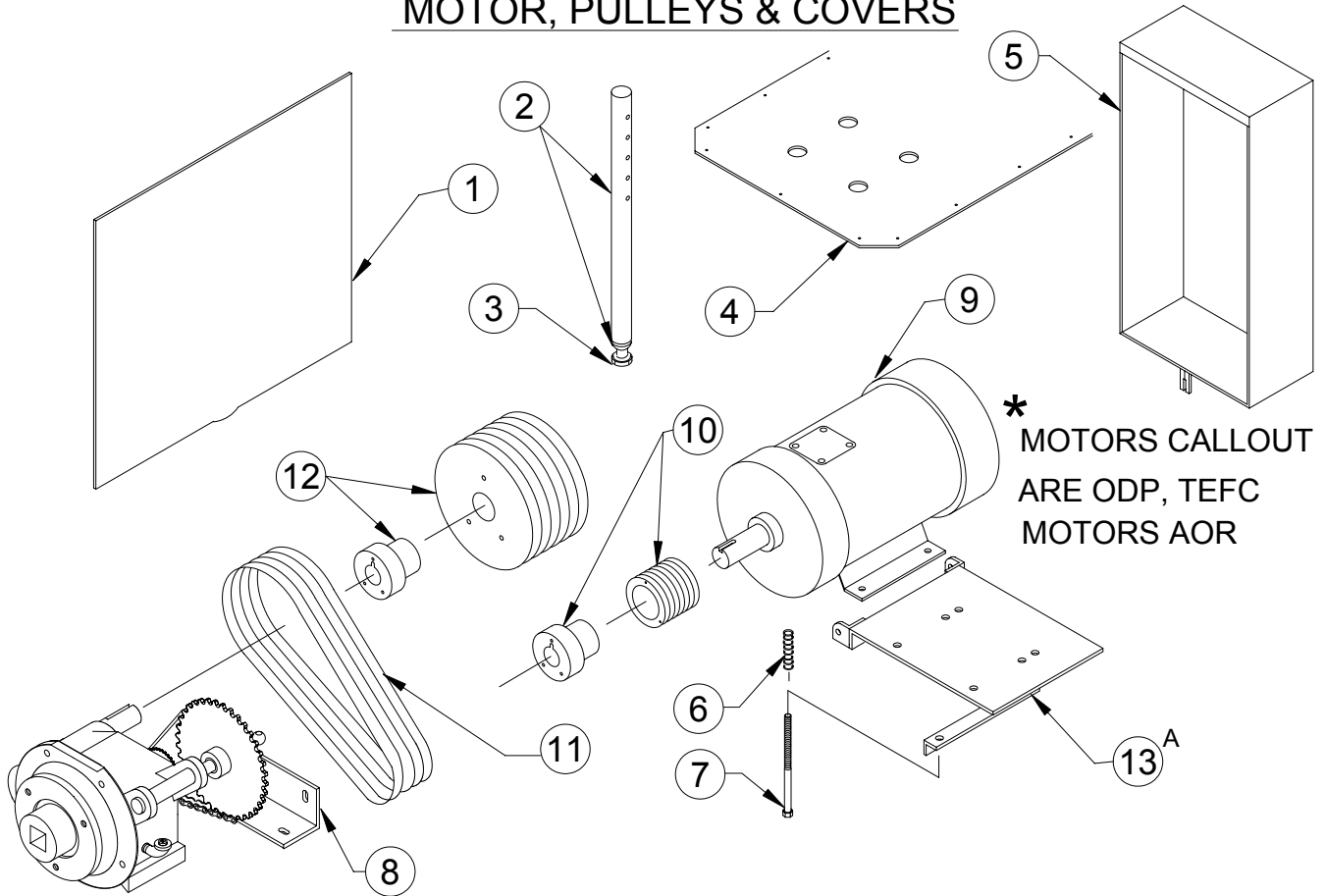
DRIVE COMPONENTS



ITEM#	PART#	DESCRIPTION	QTY.	ITEM#	PART#	DESCRIPTION	QTY.
1	0045048	DRIVE PIN (BALL DRIVE ONLY)	2	13	0043151	COLLAR	1
2	0043044S	UPPER & MIDDLE DRIVE SHAFT	2	14	0043197	TIE BAR	2
3	0059248-4	KEY	3	15	0043131	BUSHING DRIVE TUBE	4
4	0043156	S/S WASHER	1	16	0090657	SPECIAL BOLT & NUT	2
5	0090701	BUSHING (2) FOR #7 (1) FOR #10	5	17	0043240	DRIVE TUBE	1
6	0043143	UPPER & LOWER STUD PLATE ASSY	4	18	0043625	UPPER SPROCKET	1
7	0043057	UPPER & LOWER BEARING BRKT W/2 #4	2	19	0043206S	ADJ. SCREW UPPER & LOWER CHAIN	2
8	0043089	SPACER WASHER	2	20	0091100	UPPER CHAIN ASSY	1
9	0043213	THRUST WASHER	1	21	0043041	DOUBLE SPROCKET ASSY	1
10	0043117	THRUST BEARING	1	22	0091102	LOWER CHAIN ASSY	1
11	0043055	MIDDLE BEARING BRKT. W/ #5 & #9	1	23	0043281	LOWER SPROCKET	1
12	0043042	LOWER DRIVE SHAFT	1				

REPLACEMENT PARTS FOR AU42 AUTO-GRINDER (THAT WERE MANUFACTURED BY "LASAR MFG" UNTIL 1988)

MOTOR, PULLEYS & COVERS

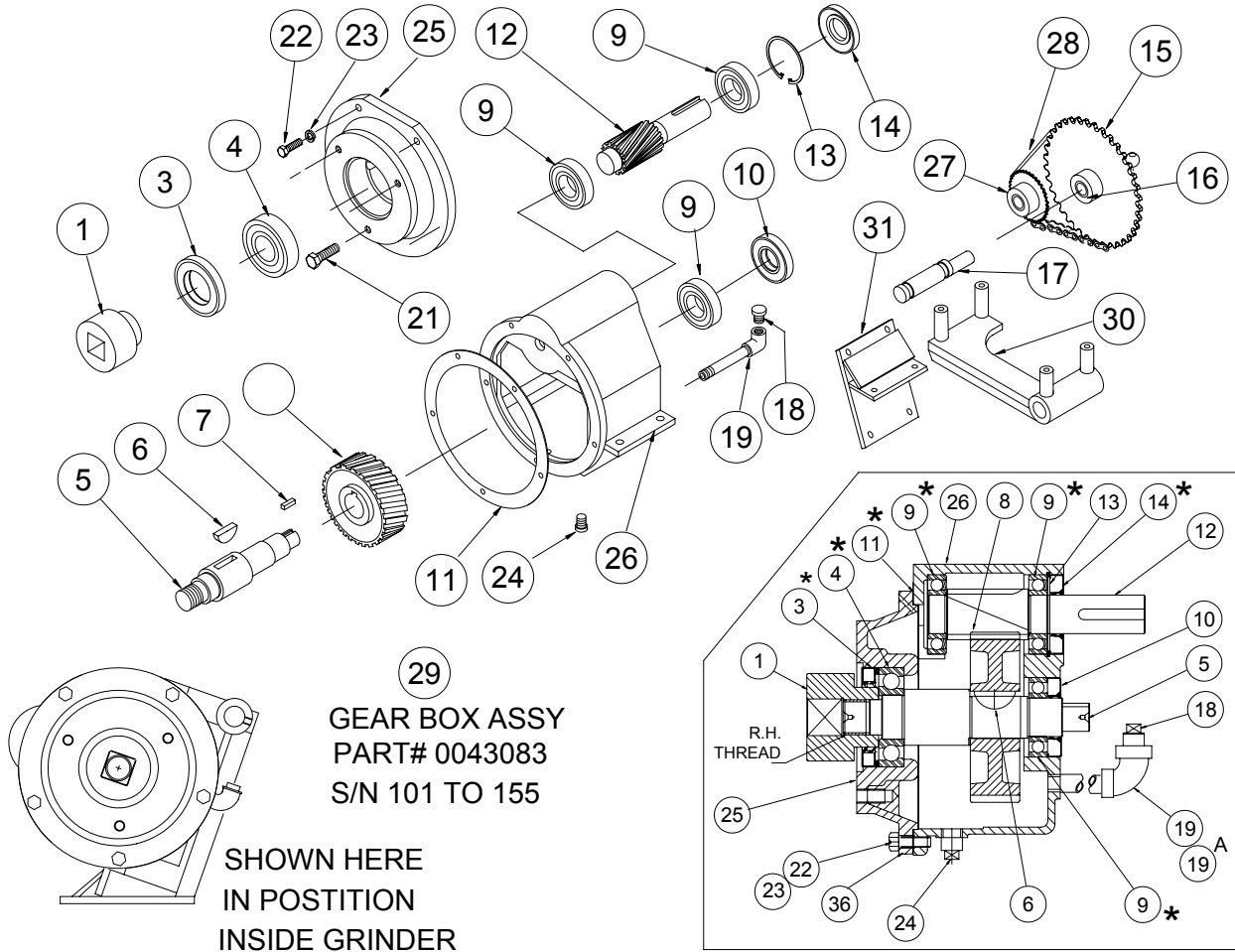


AU42 GEAR BOX
S/N 156 – ON SHOWN
FOR GEAR BOX ASSY &
COMPONENTS SEE PAGE 5A
FOR GEAR BOX ASSY &
COMPONENTS BEFORE
S/N 156 SEE PAGE 5

ITEM#	PART#	DESCRIPTION	QTY.
1	0043140S	SIDE COVER	2
2	0059226S	S/S LEG W/INSERT & FOOT #3	4
3	0059390	INSERT & FOOT ASSEMBLY	4
4	0043141S	BOTTOM COVER	1
5	0043132S	CHAIN COVER ASSEMBLY	1
6	0043157	TENSION SPRING	1
7	0028689	TENSION STUD ALL AU 7.5 AND 10 HP	1
8	0043125S	G.B. SUPPORT BRACKET	1
9	0092230	MOTOR 7.5 HP, 3PH, ODP	1
9	0092257	MOTOR 10 HP, 3PH, ODP	1
10	0043277	MOTOR PULLEY & HUB 4 GR	1
11	0090502	BELT	4
12	0043275	G.B. PULLEY & HUB 4 GR	1
13A	0043169S	MOTOR MOUNT	1

REPLACEMENT PARTS FOR AU42 AUTO-GRINDER (THAT WERE MANUFACTURED BY "LASAR MFG" UNTIL 1988)

REPLACEMENT PARTS FOR AU42 AUTO-GRINDERS (THAT WERE MANUFACTURED BY "LASAR MFG" BEFORE 1988) GEAR BOX ASSY 0043083 & COMPONENTS



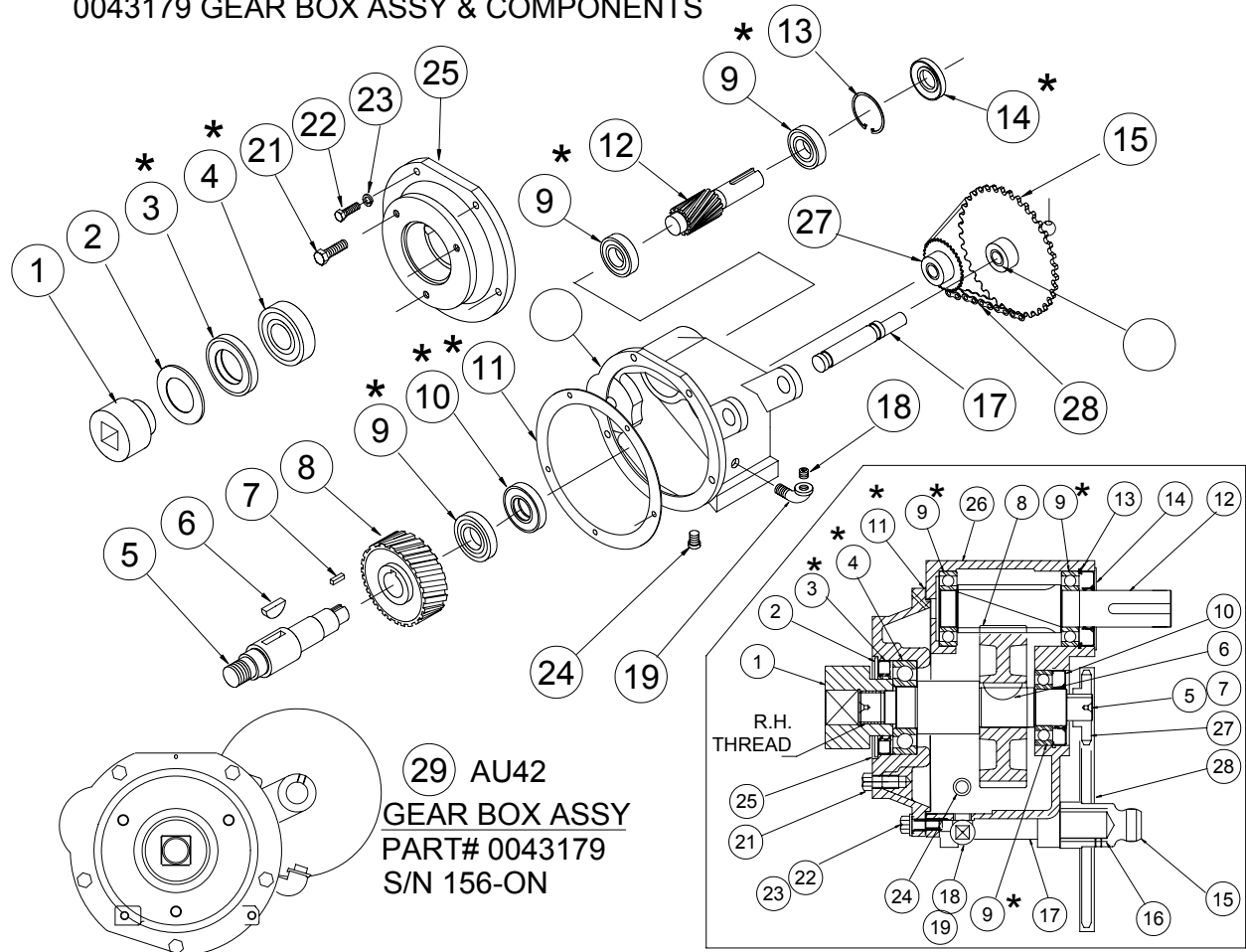
ITEM#	PART#	DESCRIPTION	QTY	ITEM#	PART#	DESCRIPTION	QTY
1	0059060	DRIVE CHUCK	1	17	0043017	JACK SHAFT SPROCKET	1
2				18	0090613	PIPE PLUG	1
*3	0043088	SEAL ASSY (LARGE)	1	19	0059140	PIPE ASSEMBLY	1
*4	0090303	THRUST BEARING	1	*20	0043082	REBUILDING KIT	1
5	0043016	DRIVE SHAFT	1	21	HHCS-27-24-N	SCREW	3
6	0090607	WOODRUFF KEY	1	22	HHCS-23-16-N	SCREW	5
7	0059247-4	KEY	1	23	SLW-06-SS	LOCK WASHER	5
8		GEAR (PURCHASE W/ #12)	1	24	0090613	PLUG	1
*9	0090304	BEARING HOUSING	3	25	0043014	COVER	1
*10	0090406	SEAL (SMALL DRIVE SHAFT)	1	26	0040012	HOUSING	1
*11	0059061	GASKET	1	27	0091005	SMALL SPROCKET	1
12	0059052	PINION & GEAR WHEEL #8	1	28	0091105	CHAIN ASSY AU42 S/N 101 TO 155	1
13	0090205	RETAINING RING HOUSING	1	29	0043083	GEAR BOX ASSEMBLY	1
*14	0090404	SEAL (PINION)	1	30	0043092	SUPPORT BRACKET	1
15	0043063	SPROCKET ASSY W/BUSH #16	1	31	0043084	SUPPORT	1
16	0090702	BUSHING SPROCKET	1				

REPLACEMENT PARTS FOR AU42 AUTO-GRINDER (THAT WERE MANUFACTURED BY "LASAR MFG" UNTIL 1988)

REPLACEMENT PARTS FOR AU42 AUTO-GRINDERS

(THAT WERE MANUFACTURED BY "LASAR MFG" BEFORE 1988)

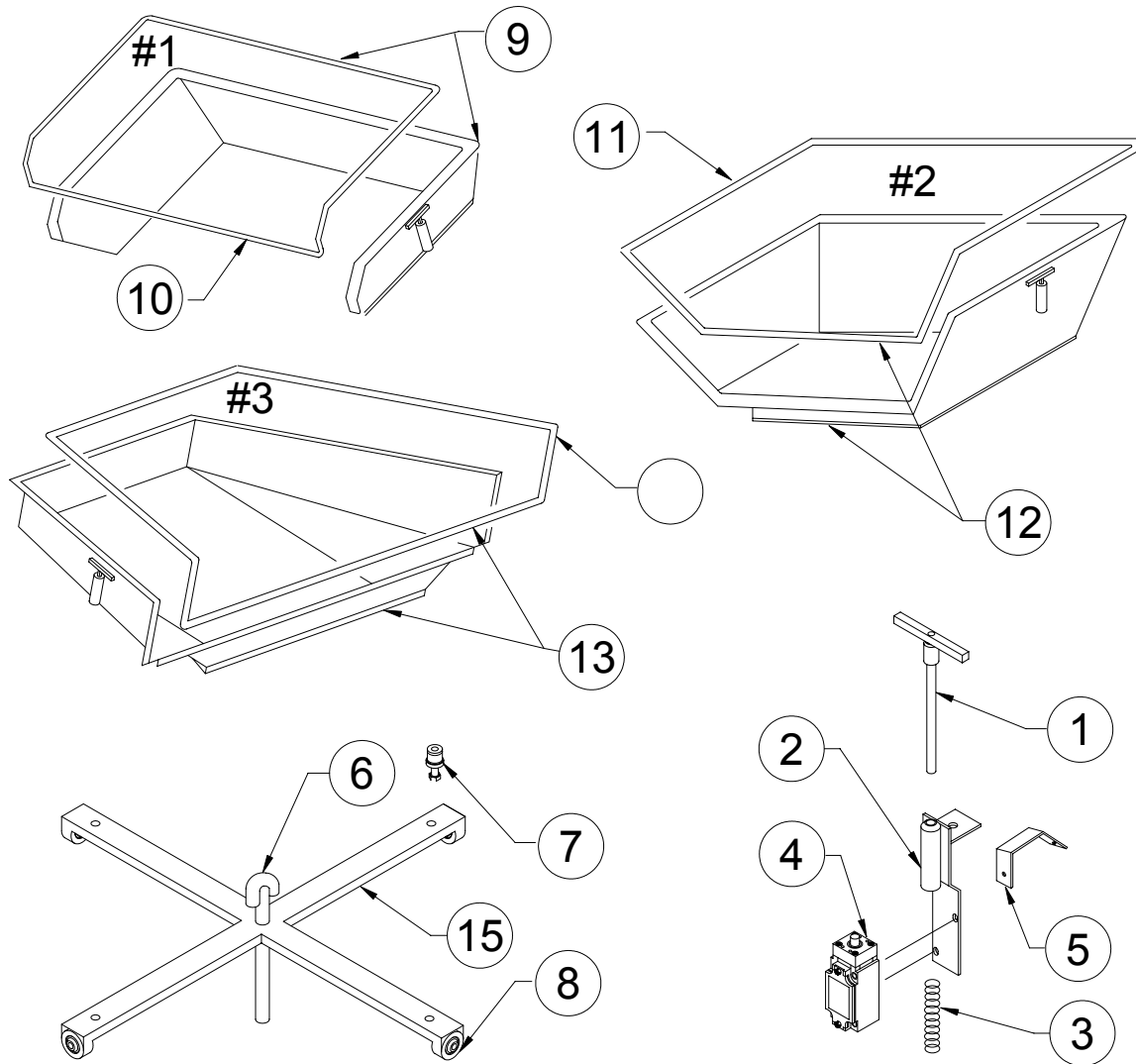
0043179 GEAR BOX ASSY & COMPONENTS



ITEM#	PART#	DESCRIPTION	QTY	ITEM#	PART#	DESCRIPTION	QTY
1	0059060	DRIVE CHUCK	1	16	0090702	BUSHING SPROCKET	1
2	0043148	SEAL WASHER	1	17	0043122	JACK SHAFT SPROCKET	1
*3	0090405	SEAL (LARGE)	1	18	0090613	PIPE PLUG	1
*4	0090303	THURST BEARING	1	19	0090620	PIPE ELBOW	1
5	0043016	DRIVE SHAFT	1	*20	0043650	REBUILDING KIT	1
6	0090607	WOOD RUFF KEY	1	21	HHCS-27-24-SS	SCREW	3
7	0059247-4	KEY	1	22	HHCS-23-16-SS	SCREW	5
8		GEAR (PURCHASE W/#12)	1	23	SLW-06-SS	LOCK WASHER	5
*9	0090304	BEARING HOUSING	3	24	0090613	PLUG	1
*10	0090406	SEAL (SMALL DRIVE SHAFT)	1	25	0043014	COVER GEAR BOX	1
*11	0059061	GASKET	1	26	0044564	HOUSING GEAR BOX	1
12	0043181	PINION & GEAR WHEEL #8	1	27	0091005	SMALL SPROCKET	1
13	0090205	RETAINING RING HOUSING	1	28	0091103	CHAIN ASSEMBLY	1
*14	0090404	SEAL (PINON)	1	29	0043179	GEAR BOX ASSY S/N 156-ON	1
15	0043063	SPROCKET ASSY W/BUSH #16	1				

REPLACEMENT PARTS FOR AU42 AUTO-GRINDER

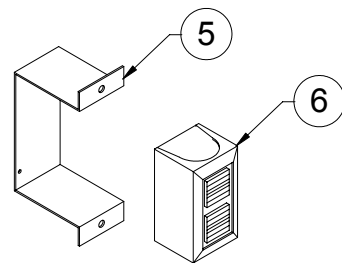
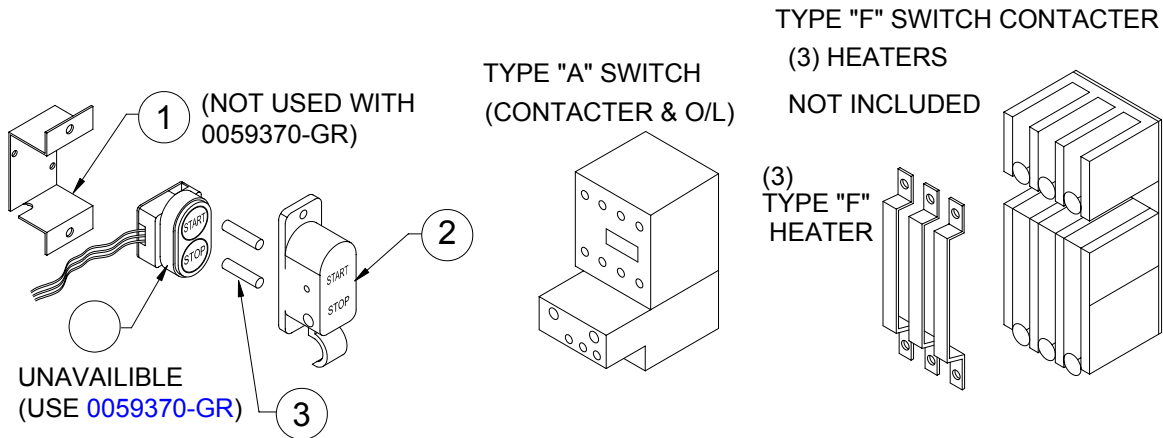
(THAT WERE MANUFACTURED BY "LASAR MFG" UNTIL 1988)



ITEM#	PART#	DESCRIPTION	QTY	ITEM#	PART#	DESCRIPTION	QTY
1	0043360	SAFETY PIVOT PIN	1	9	0043340	#1 HOPPER & RAIL ASSY	1
2	0043385	TENSION TUBE ASSEMBLY	1	*10	0043345	SAFETY RAIL #1 HOPPER	1
3	0043341	SPRING	1	11	0043370	#2 HOPPER & RAIL ASSY	1
4	0093271	LIMIT SWITCH	1	*12	0043375	SAFETY RAIL #2 HOPPER	1
5	0043411	BRACKET FOR #1 HOPPER	1	13	0043380	#3 HOPPER & RAIL ASSY	1
6	0058391S	PIVOT PIN	1	*14	0043365	SAFETY RAIL #3 HOPPER	1
7	0059392	ADJ. HOLD DOWN BOLT	4	15	0043286	ROTARY BASE & COMP	1
8	0095035	CASTERS	4				

REPLACEMENT PARTS FOR AU42 AUTO-GRINDER (THAT WERE MANUFACTURED BY "LASAR MFG" UNTIL 1988)

ELECTRICAL COMPONENTS



0059370-GR
REPLACEMENT KIT FOR ITEM 4

ITEM#	PART#	DESCRIPTION	QTY
1	0059068	SWITCH BRACKET	1
2	0059132	SWITCH LEVEL BOX ASSY	1
3	0059137	PLUNGER	2
4	0059370	SWITCH (USE 0059370-GR)	1
5	0059460	SWITCH BRACKET	1
6	0093999-136	PUSH BUTTON ASSY	1
7	0059370-GR	REPLACEMENT KIT FOR ITEM 4	1

CHART G25					"F" TYPE			"A" TYPE	
7 1/2 HP	3 PH	VOLTAGE				"F" TYPE CONTACTOR	"F" TYPE HEATERS (3) REQUIRED		"A" TYPE CONTACTOR & O/L
		575V	460V	230V	208V	PART#	"H"#"	PART#	PART#
		8.1				0093010	E51	0093536	0093649
		10.0				0093008	E53	0093537	0093645
				20.0		0093011	E62	0093544	0093651
				23.0		0093011	E65	0093545	0093650
10 HP	3 PH	10.4				0093010	E54	0093538	0093649
			13.0			0093008	E56	0093540	0093646
				26.0		0093011	E67	0093546	0093657
					28.0	0093011	E69	0093555	0093657