

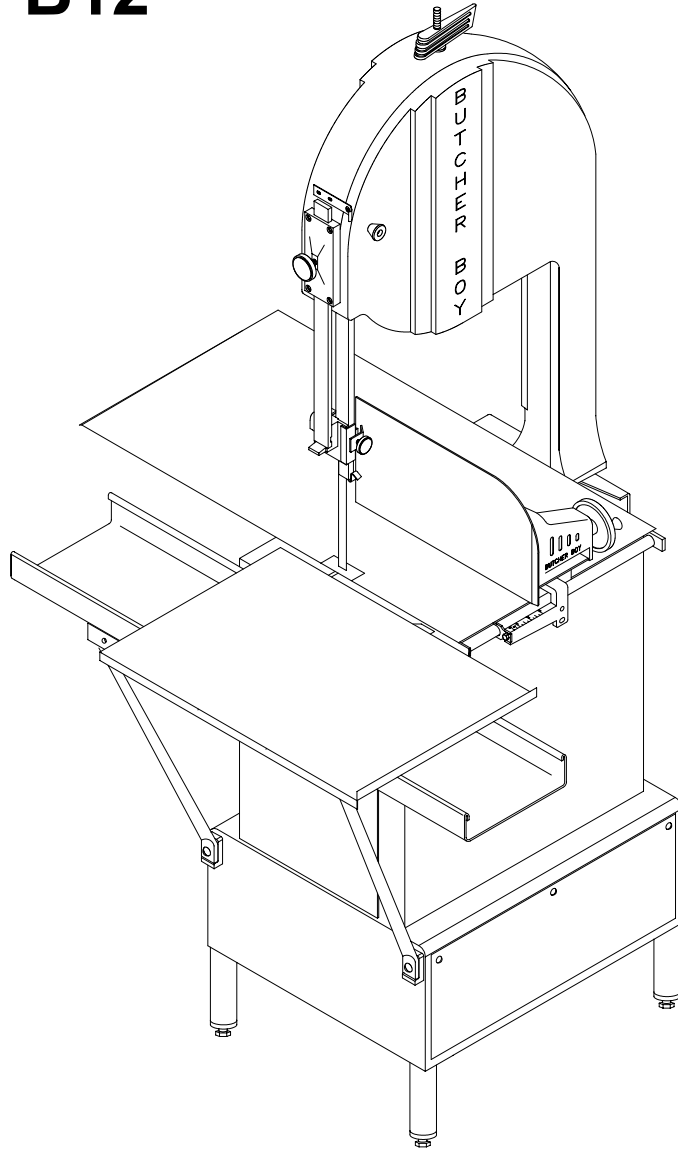
**REPLACEMENT PARTS MANUAL FOR BUTCHER BOY
MODELS B12 S/N 2-5400 TO 2-12053
ELECTRIC MEAT, FISH AND BONE SAWS
(THAT WERE MANUFACTURED BY "LASAR MFG") UNTIL 1988.**

**"AMERICAN MEAT EQUIPMENT CORP." HAS NO CONNECTION TO THE DESIGN,
MANUFACTURING OR SALES OF THESE MACHINES.**

**B[®]
U
T
C
H
E
R

B
O
Y**

B12



®

American Meat Equipment Corp.

1625 S. Greenwood Ave.

Montebello, Ca. 90640

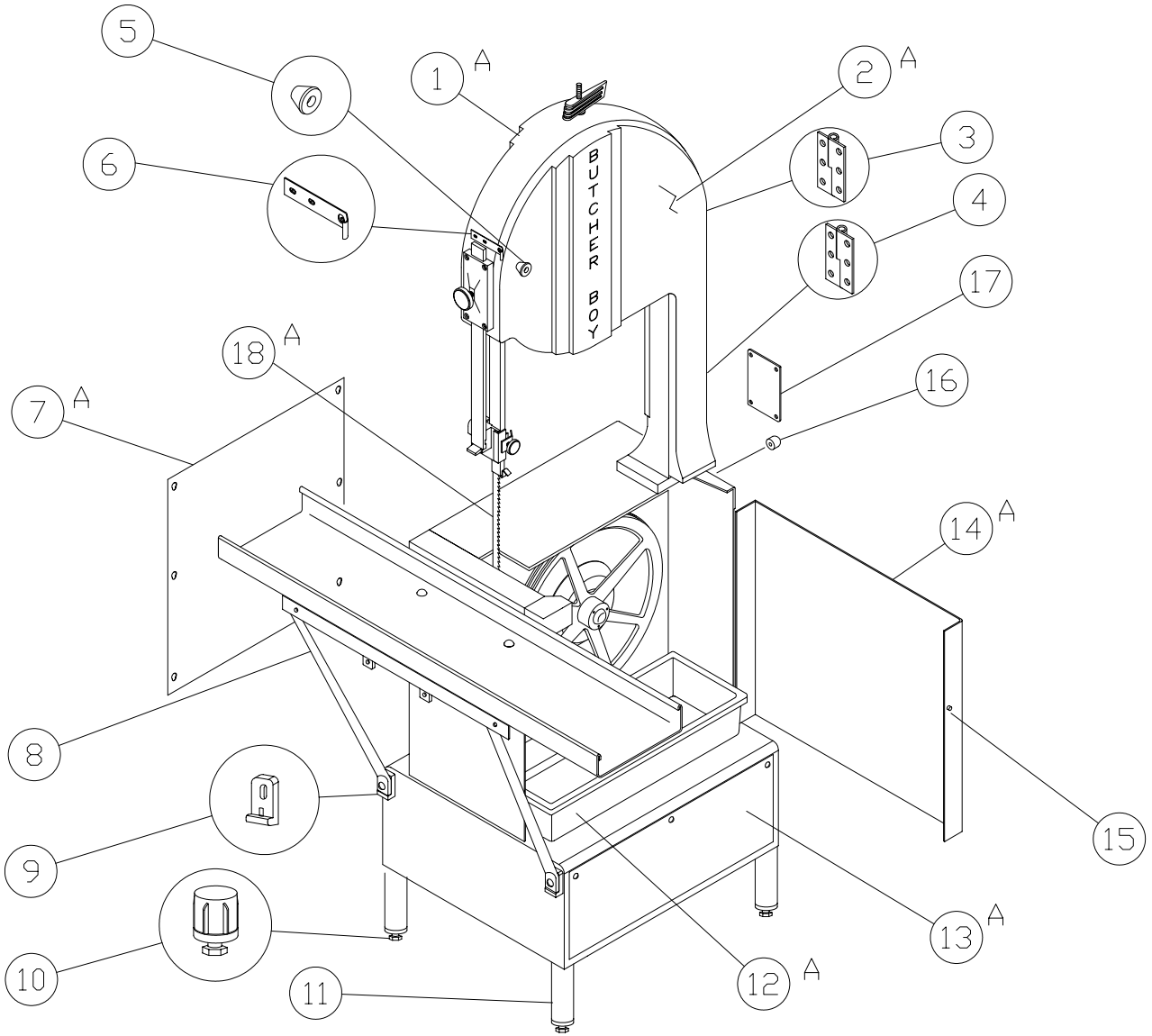
Phone: (323) 724-5348

Fax: (323) 838-4336

BUTCHER BOY B12 BAND SAW

BUTCHER BOY B12 BAND SAWS INDEX	
DESCRIPTION	PAGE #
B12 DOORS, COVERS, AND MISC.	1
B12 UPPER WHEEL ASSEMBLY	2
B12 UPPER WHEEL AND HANGER ASSEMBLY	3
B12 LOWER WHEEL ASSEMBLY	4
B12 FRONT SCRAPER ASSEMBLY	5
B12 REAR BLADE SCRAPER ASSEMBLY	6
B12 UPPER BAR GUIDE ASSEMBLY	7
B12 THICKNESS GAUGE ASSEMBLY	8
B12 TABLES AND SUPPORTS	9
B12 MOTOR AND DRIVE COMPONENTS	10
B12 SPARE PART KITS, FOR STD AND HI SPEED	11
SWITCH INDEX	12
S0 1 STARTER ASSEMBLY AND COMPONENTS	13
S0 2 STARTER ASSEMBLY AND COMPONENTS	14
S0 3 AND SO 4 STANDARD MANUAL SWITCH AND COMPONENTS	15
S0 5 STARTER ASSEMBLY AND COMPONENTS	16
B12 TENSIONING INSTRUCTIONS	17
B12 LUBRICATION INSTRUCTIONS	18

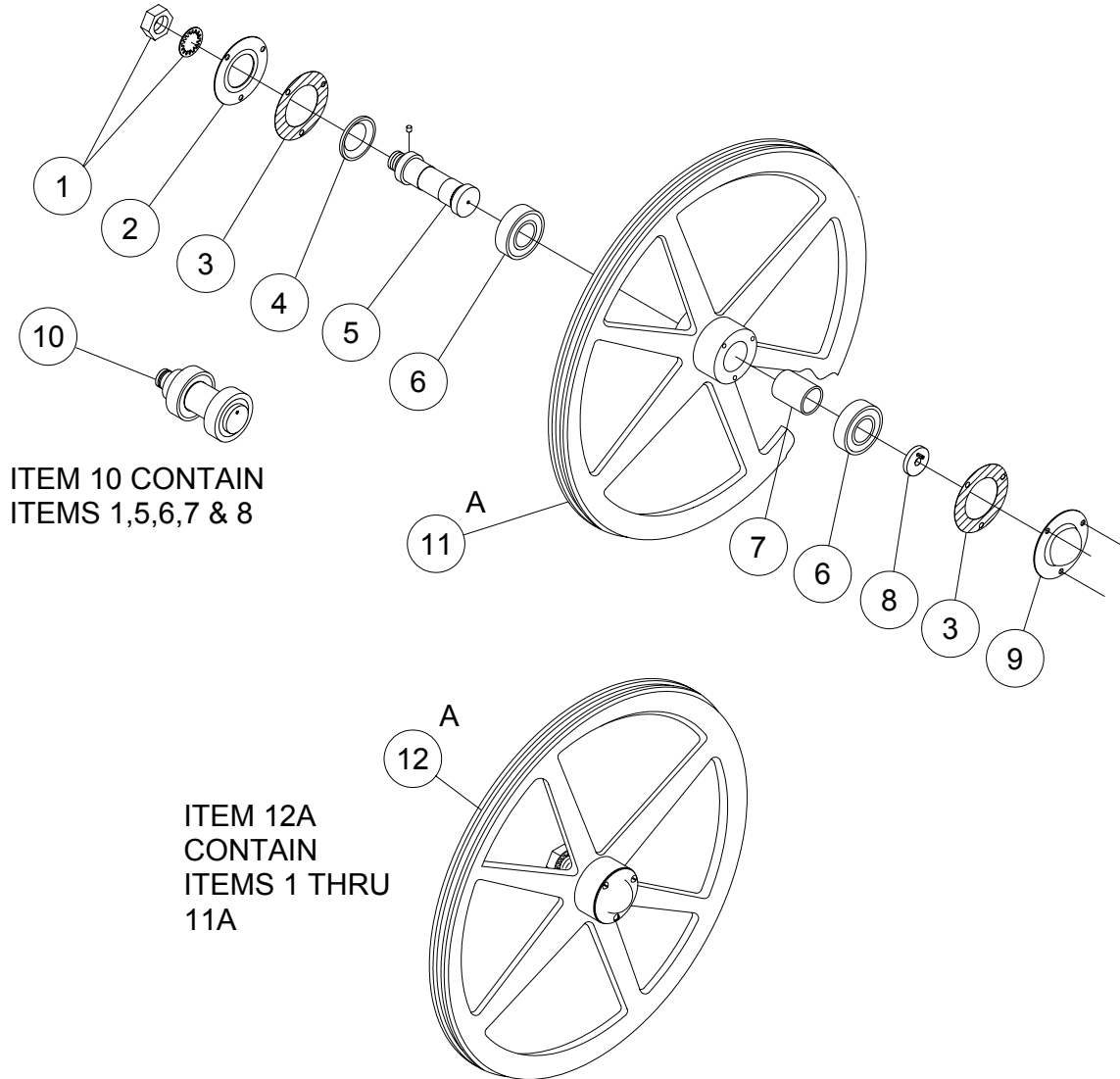
BUTCHER BOY B12 BAND SAW PARTS



ITEM	PART#	DESCRIPTION	USE	ITEM	PART#	DESCRIPTION	USE
*1A		B12 ALUM. HEAD		11	0010370S	SS LEG & FOOT ASSY	4
*2A		B12 ALUM. DOOR		12A	0012069	B12 BONE BOX	1
3	0010606	UPPER HINGE ASSY	2	13A	0012108	B12 LOWER COVER	2
4	0010607	LOWER HINGE ASSY	2	14A	0012109	B12 SS BOTTOM DOOR	1
5	0010151	DOOR KNOB	2	15	FHSS-15-04-SS	DOOR STUD	2
6	0010272	DOOR LATCH	2	16	0090601	BUMPER	1
7A	0012106	B-12 REAR COVER	1	17	0010198	COVER	1
8	0010014S	SS BRACE	2	18A-E	0090851-E	B12 STD BLADE ECONOMY	6
9	0010260	BRACE ADJ. BRACKET	2	18A-H	0090851-H	B12 STD BLADE HARD TOOTH	6
10	0059390	FOOT ASSY	4				

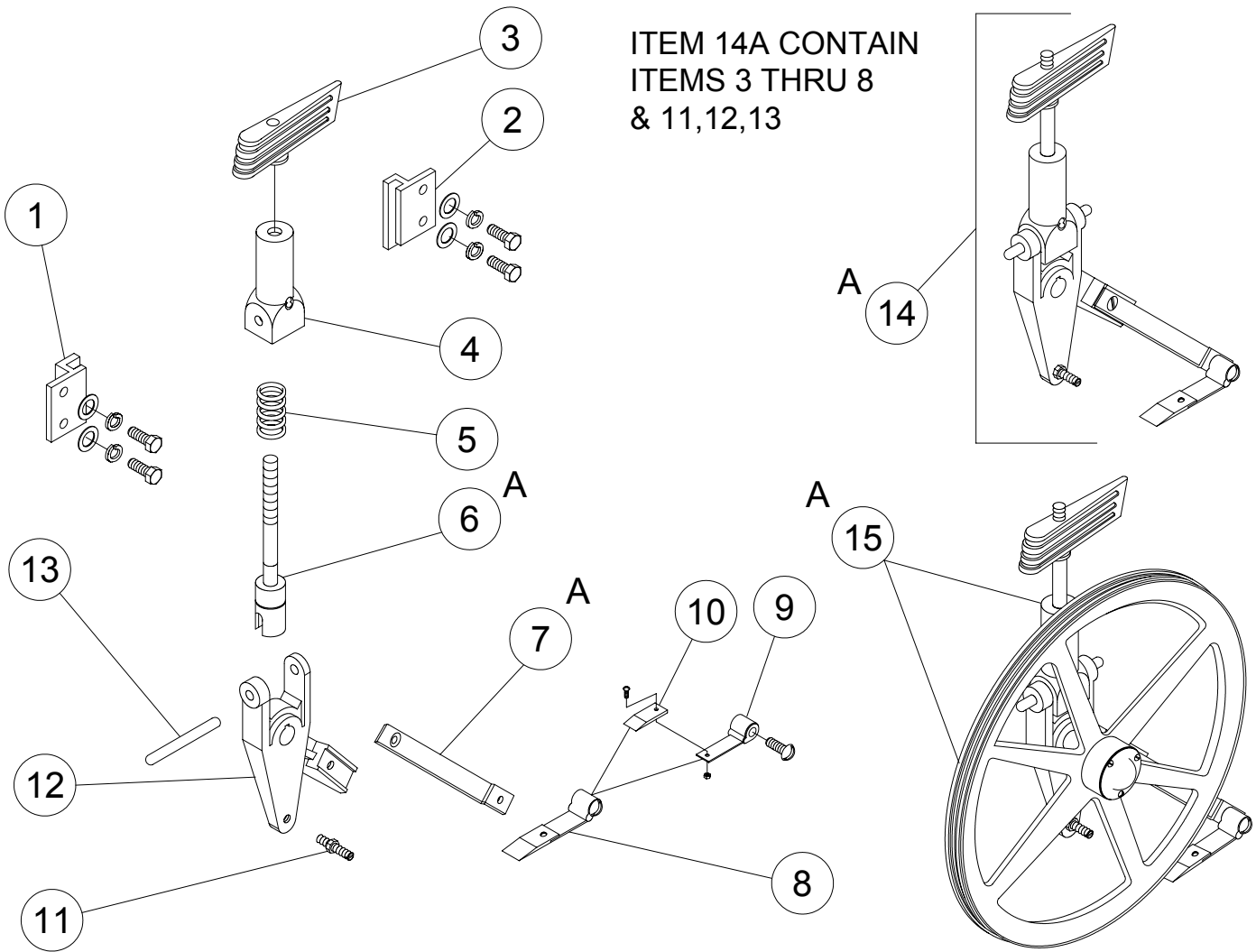
*** NOTES: IT MAY BE POSSIBLE THAT THIS PART CAN BE REPAIRED IF SHIPPED TO AMERICAN MEAT EQUIPMENT CORP. (CALL BEFORE SHIPPING) 323-724-5348**

BUTCHER BOY B12 UPPER WHEEL ASSEMBLY



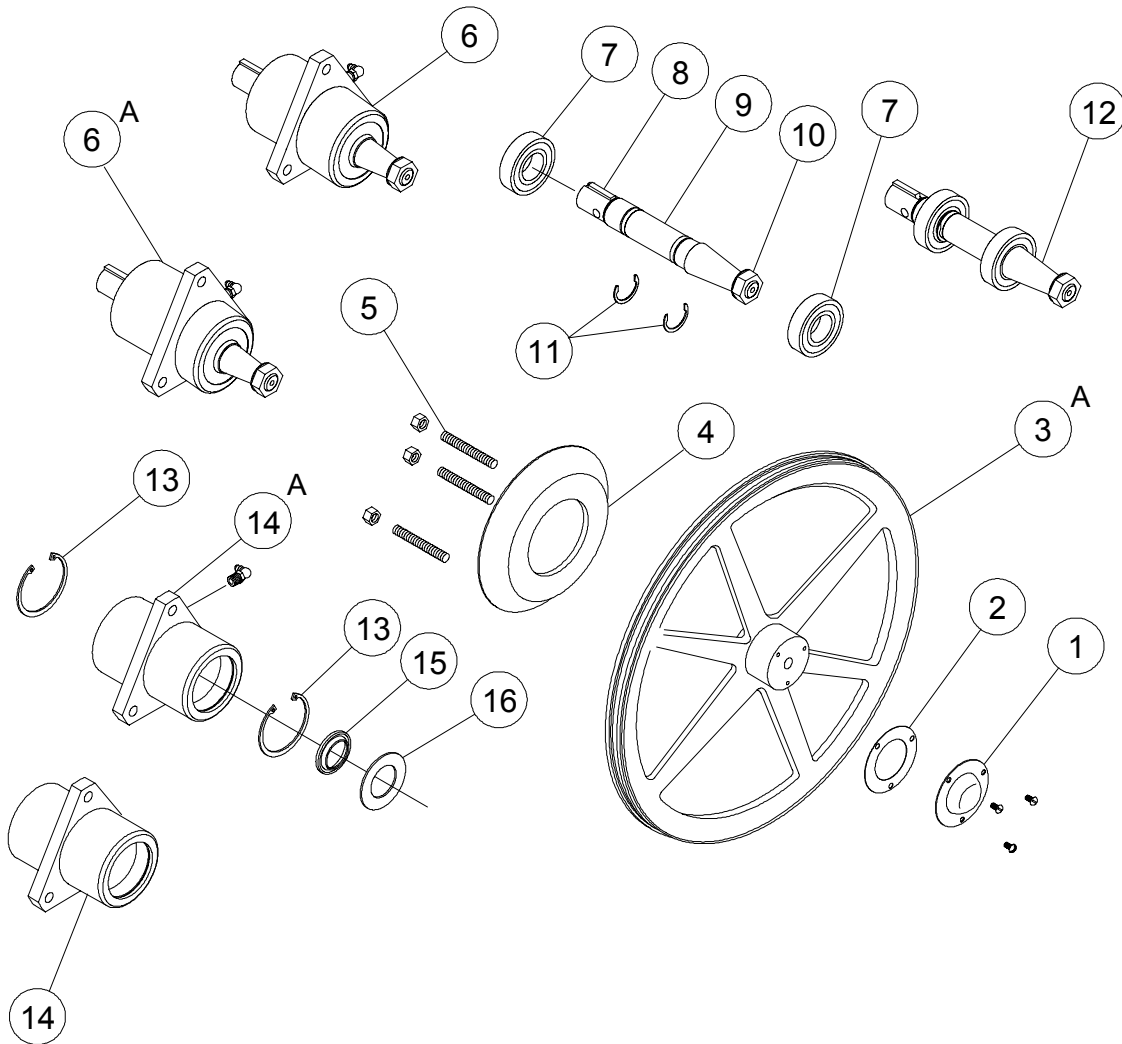
ITEM	PART#	DESCRIPTION	USE
1	0010770	NUT & WASHER-WHEEL SHAFT	1
2	0010030	BEARING RETAINER	1
3	0010127	GASKET	2
4	0090400	RUBBER SEAL	1
5	0010018	UPPER SHAFT W/ NUT & WASHER	1
6	0090302	BEARING – UPPER SHAFT	2
7	0010258	SPACER – BEARINGS	1
8	0010121S	RETAINER & SCREW ASSEMBLY	1
9	0010031	HUB CAP	1
10	0010574	UPPER SHAFT & BEARING ASSEMBLY	1
11A	0012040	B12 UPPER WHEEL	1
12A	0012038	B12 UPPER WHEEL & SHAFT ASSEMBLY	1

BUTCHER BOY B12 UPPER WHEEL & HANGER ASSEMBLY



ITEM	PART#	DESCRIPTION	USE
1	0010282	GUIDE BLOCK	1
2	0010283	GUIDE BLOCK	1
3	0010141	TENSION HANDLE	1
4	0010278	GAUGE HOUSING	1
5	0010082	TENSION SPRING	1
6A	0012044S	ROD AND INDICATOR – B12	1
7A	0012043S	SCRAPER ARM – B12	1
8	0010377	SCRAPER SPRING ASSY	1
9	0010277	SCRAPER SPRING	1
10	0010040	FIBER SCRAPER	1
11	0010216	ADJ. SCREW	1
12	0010280	WHEEL HANGER	1
13	0010120	TENSION GAUGE PIN	1
14A	0012029	BLADE TENSION ASSY – B12	1
15A	0012205	UPPER WHEEL & HANGER ASSY – B12	1

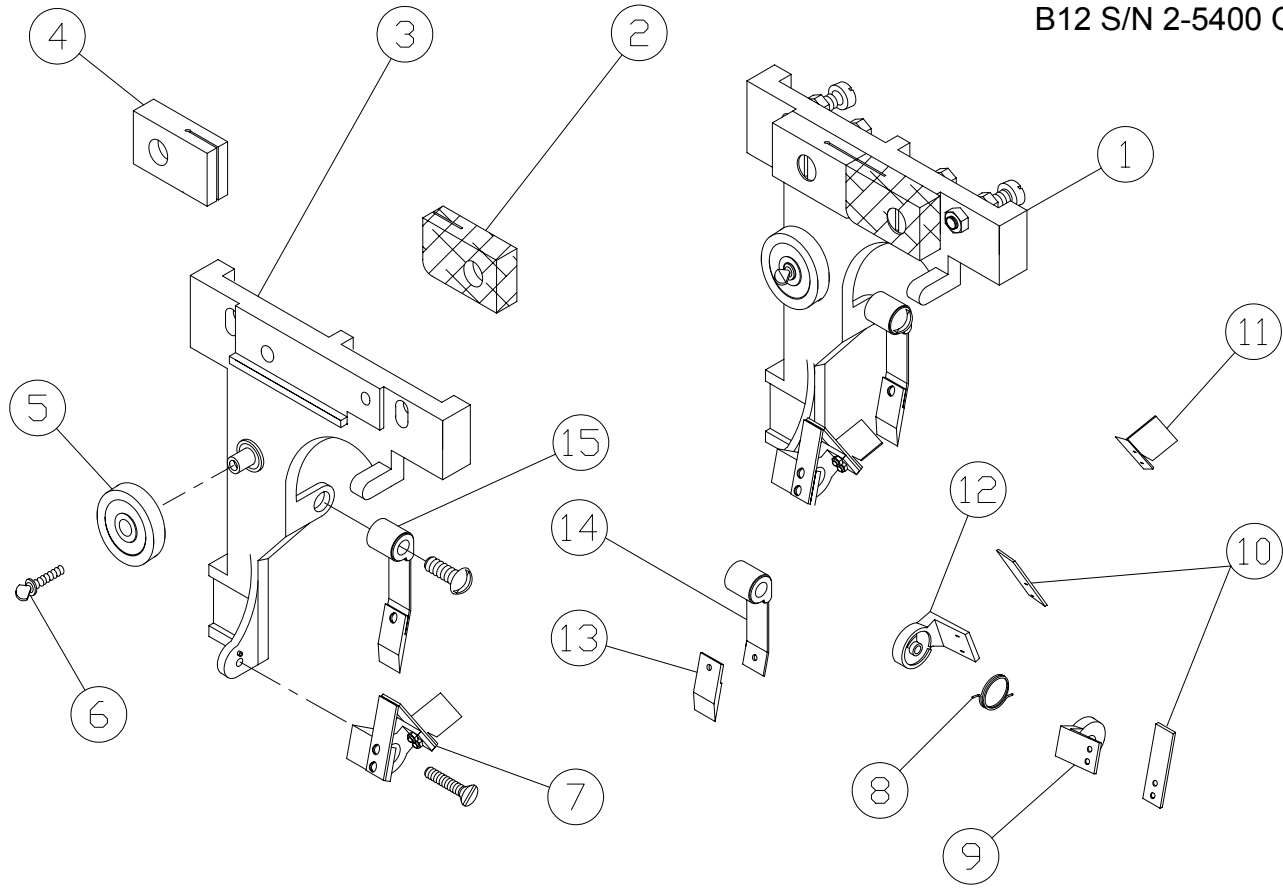
BUTCHER BOY B12 LOWER WHEEL ASSEMBLY



ITEM	PART#	DESCRIPTION	USE
1	0010031	HUB CAP	1
2	0010127	GASKET	1
3A	0012041	LOWER WHEEL - B12	1
4	0010077	BEARING HOUSING SUPPORT	1
5	0010078	STUD	3
6	0010087	LOWER SHAFT & HOUSING ASSY O/S	1
6A	0010025	LOWER SHAFT & HOUSING ASSY	1
7	0090300	BEARING	2
8	0059247-8	KEY SHAFT	1
9	0010023	SHAFT ASSY W/ WASHER & NUT	1
10	0010770	NUT & WASHER FOR SHAFT	1
11	0090201	RETAINING RING (SMALL)	2
12	0010575	LOWER SHAFT & BEARING ASSY	1
13	0090200	RETAINING RING (LARGE)	2
14	0010088	BEARING HOUSING O/S	2
14A	0010024	BEARING HOUSING	1
15	0090400	RUBBER SEAL	1
16	0010029	SPECIAL WASHER	1

BUTCHER BOY B12 FRONT SCRAPER ASSEMBLY

NEW STYLE
B12 S/N 2-5400 ON



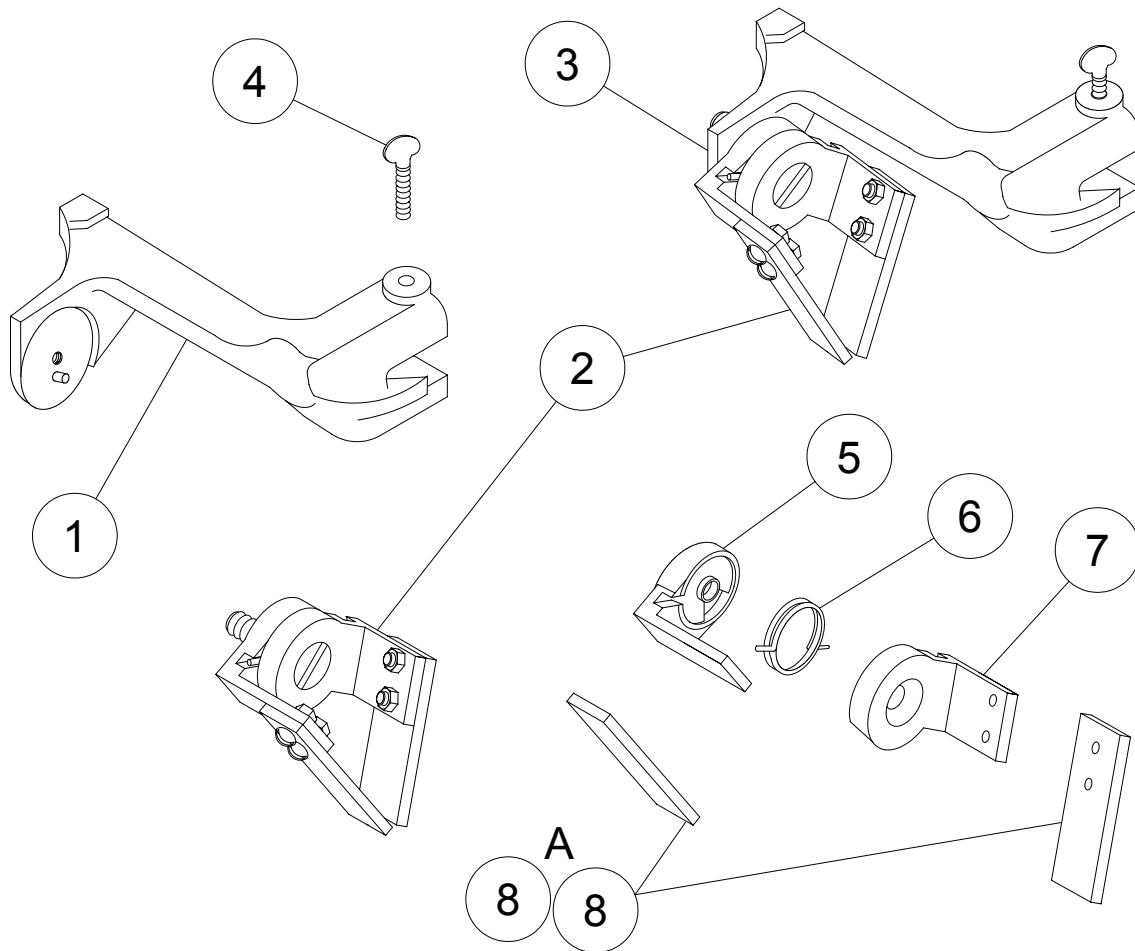
ITEM	PART#	DESCRIPTION	USE
1	0010304	FRONT SCRAPER ASSEMBLY	1
2	0010000	FIBER BLADE BLOCK	1
	0010000P	PLASTIC BLADE BLOCK	1
3	0010305	SCRAPER & ROLLER MOUNT	1
4	0010002	LOWER BLADE GUIDE STD. (.30)	1
	0020785	LOWER CARD. BLADE GUIDE HS (.30)	*
	0010597	LOWER BLADE GUIDE (.018)	*
	0020786	LOWER CARD. BLADE GUIDE HS (.018)	*
5	0090301	BALL BEARING	1
6	0010369	THUMB SCREW	1
7	0010464	BLADE SCRAPER ASSEMBLY	1
8	0010199	SPRING	1
9	0010302	SCRAPER HOLDER	1
10	0010310	SCRAPER STAINLESS STEEL	2
11	0010197	DEFLECTOR	1
12	0010301	SCRAPER HOLDER	1
13	0010040	WHEEL FIBER SCRAPER	1
14	0010277	SCRAPER SPRING	1
15	0010377	SPRING & SCRAPER ASSEMBLY	1

BUTCHER BOY B12 BAND SAW

REAR BLADE SCRAPER

NEW STYLE

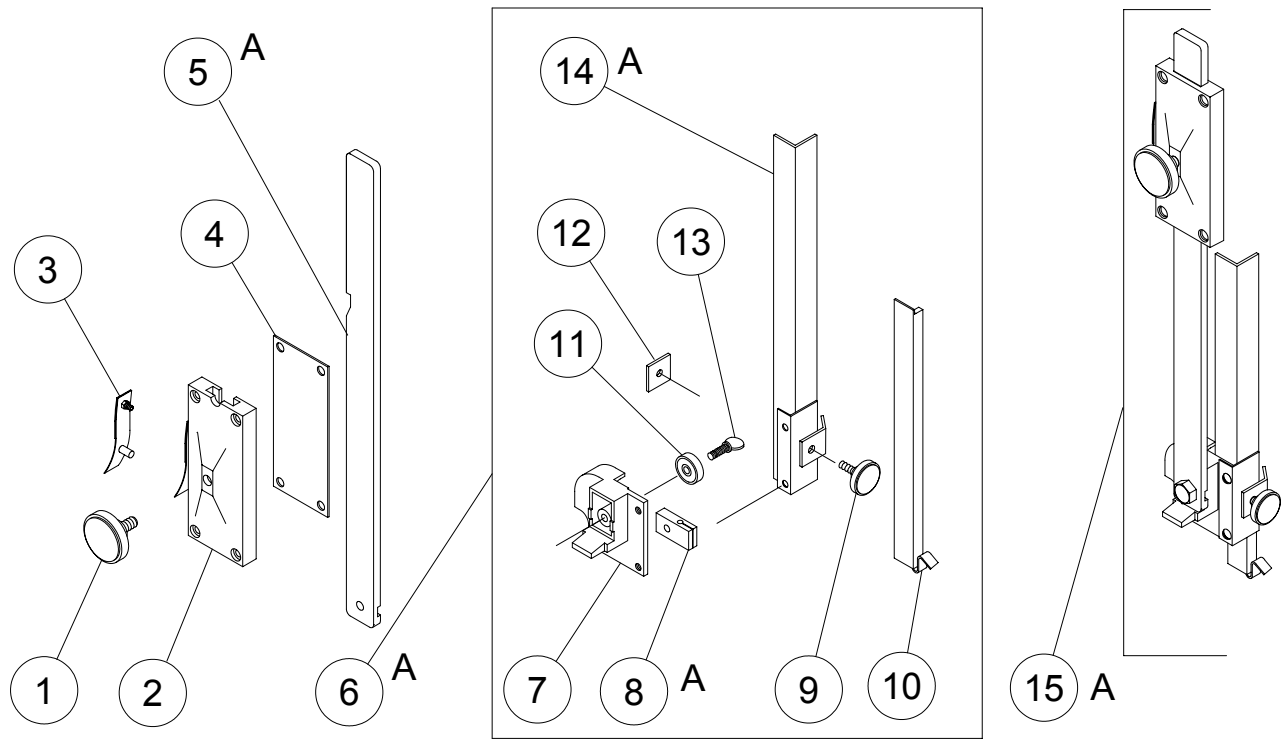
B12 S/N 2-5400 ON



ITEM	PART#	DESCRIPTION	USE
1	0010246	SCRAPER MOUNT	1
2	0010460	BLADE FIBER SCRAPER ASSEMBLY	1
2A	0010464	BLADE S/S SCRAPER ASSEMBLY	1
3	0010298	REAR SCRAPER ASSEMBLY	1
4	0010303	THUMB SCREW	1
5	0010302	SCRAPER HOLD	1
6	00100199	SPRING	1
7	0010301	SCRAPER HOLDER	1
8	0010300	FIBER SCRAPER	2
8A	0010310	S/S SCRAPER	2

BUTCHER BOY B12 BAND SAW

BAR GUIDE ASSEMBLY

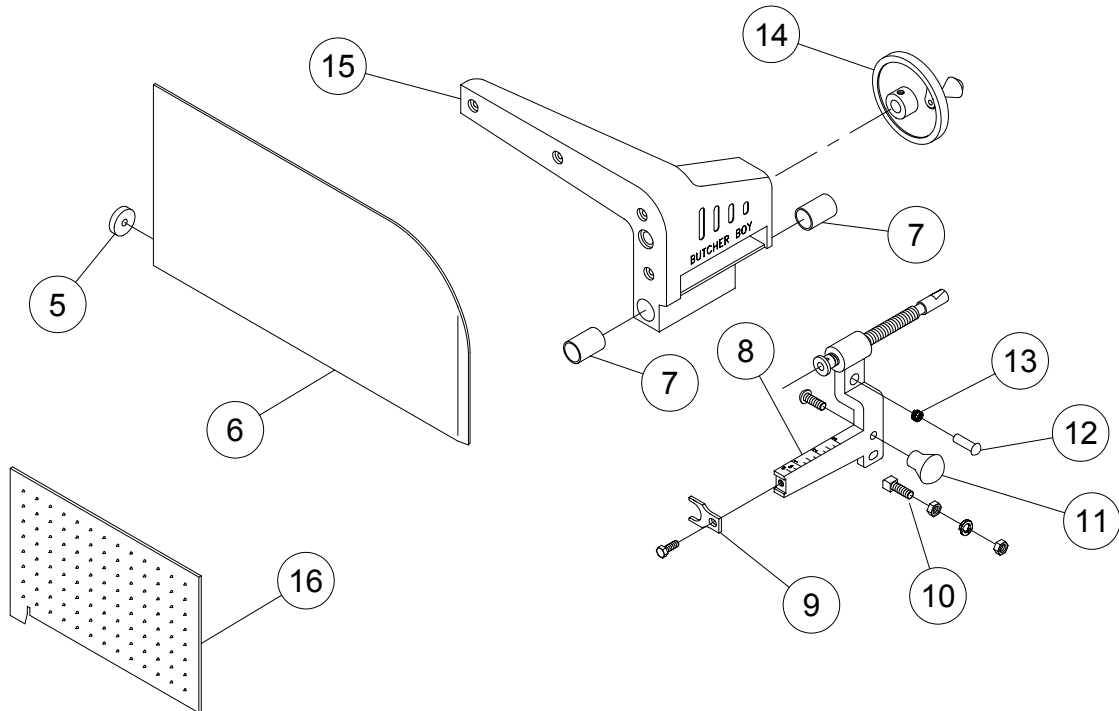
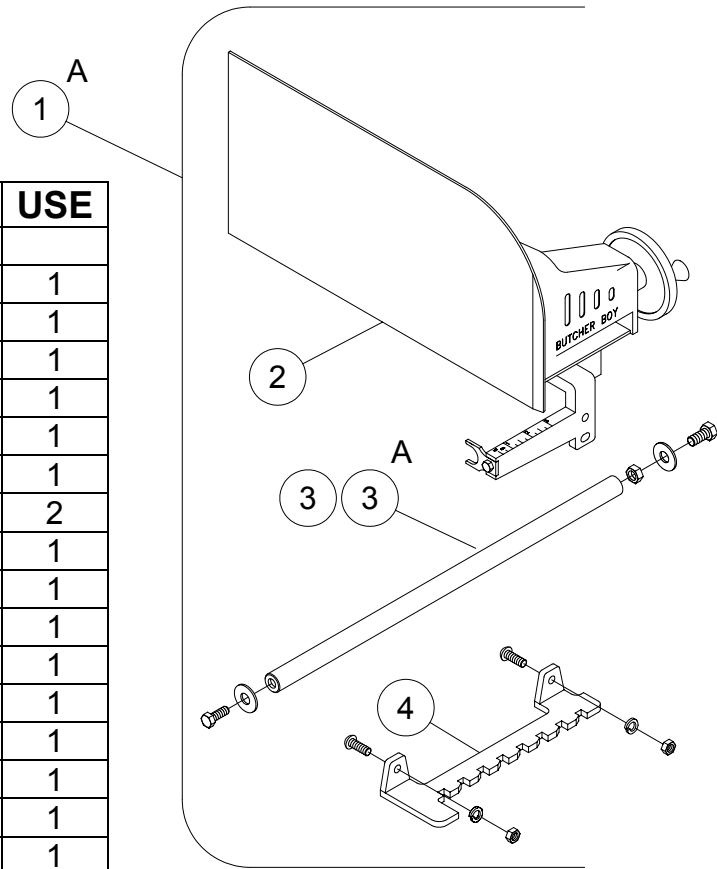


ITEM	PART#	DESCRIPTION	USE
1	0090600	KNOB	1
2	0010266	ADJUSTABLE BAR GUIDE	1
3	0010273	BAR RELEASE	1
4	0010373	GASKET ADJUSTING BAR GUIDE	1
5A	0012048S	ADJUSTABLE BAR B12	1
6A	0010715	BLADE GUARD ASSEMBLY B12	1
7	0010270	ADJUSTING BLADE GUIDE & ROLLER ASSEMBLY	1
8A	0010074	UPPER BLADE GUIDE (.030) BLADE	1
8B	0010356	UPPER BLADE GUIDE (.018) CARBIDE	1
8C	0010353	UPPER BLADE GUIDE (.030) CARBIDE	1
8D	0010079	UPPER BLADE GUIDE (.018)	1
9	0095084	KNOB	1
10	0010712	GUARD EXTENSION	1
11	0090301	BACK UP BEARING	1
12	0010714	EXTENSION STOP	1
13	0010369	THUMB SCREW	1
14A	0012030	BLADE GUARD B12	1
15A	010370S	BAR GUIDE ASSEMBLY B12	1

BUTCHER BOY B12 BAND SAW PARTS

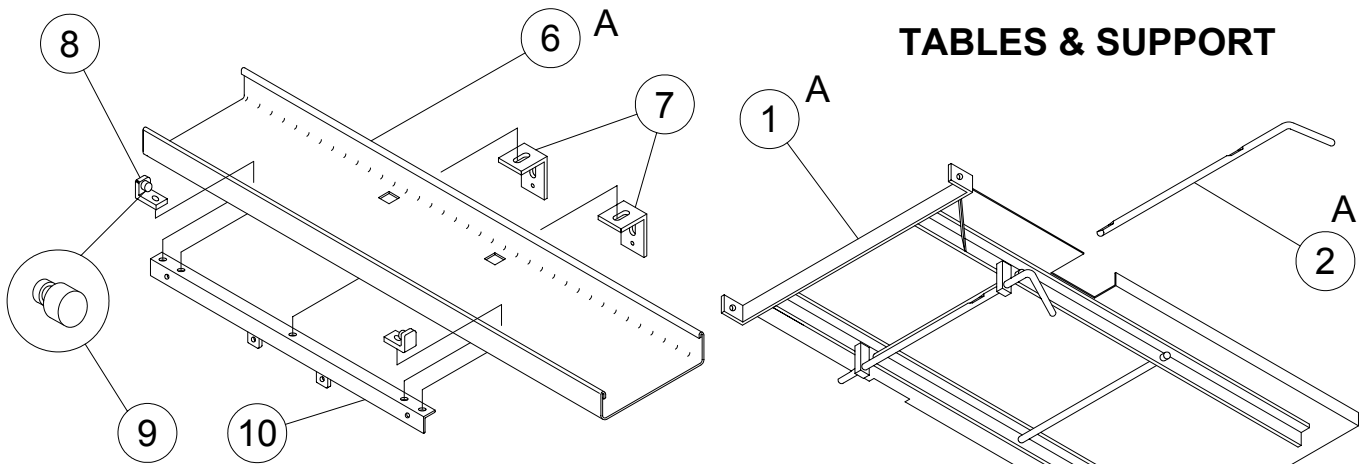
THICKNESS GAUGE ASSEMBLY

ITEM	PART#	DESCRIPTION	USE
1A	0012072	THICK GA. W/RATCHET & ROD B12	1
2	0010316	THICKNESS GAUGE ASSEMBLY	1
3A	0012341S	GA. SLIDE ROD W/HD B12 S/S	1
4	0010180	RATCHET LOCK W/HARDWARE	1
5	0010297	ROLLER	1
6	0010250	GAUGE PLATE	1
7	0090700	BUSHING	2
8	0010284	GAUGE SPINDLE & ARM ASSY	1
9	0010313	GAUGE ARM SUPPORT	1
10	0010782S	LOCK PIN W/WASHER & NUT	1
11	0010315	KNOB	1
12	0010211	PIN	1
13	0010314S	SPRING	1
14	0010287	HAND WHEEL	1
15	0010291	HOUSING	1
16	0010208	RH SHORT CUT PLATE	1

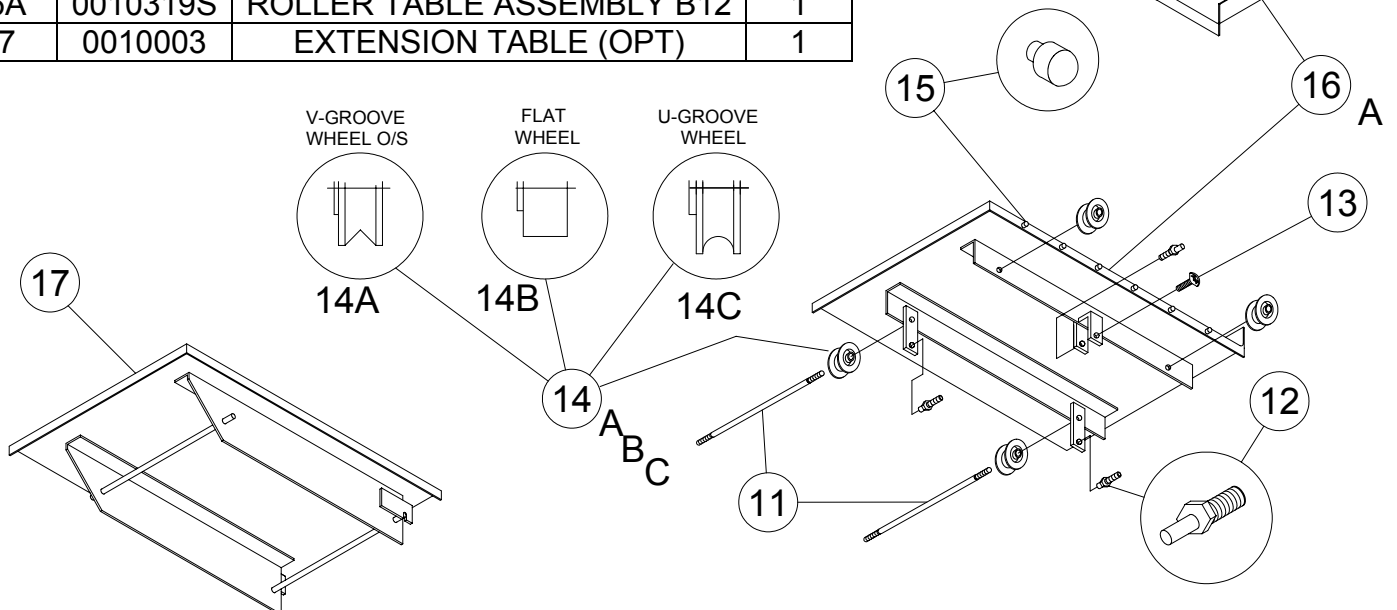
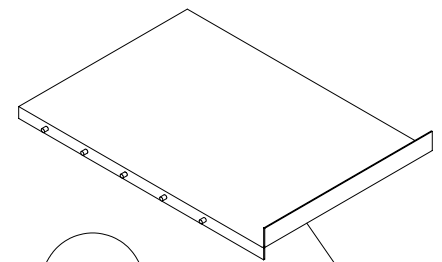
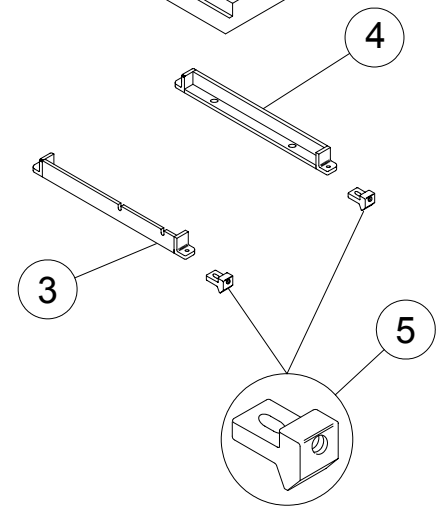


BUTCHER BOY B12 BAND SAW PARTS

TABLES & SUPPORT

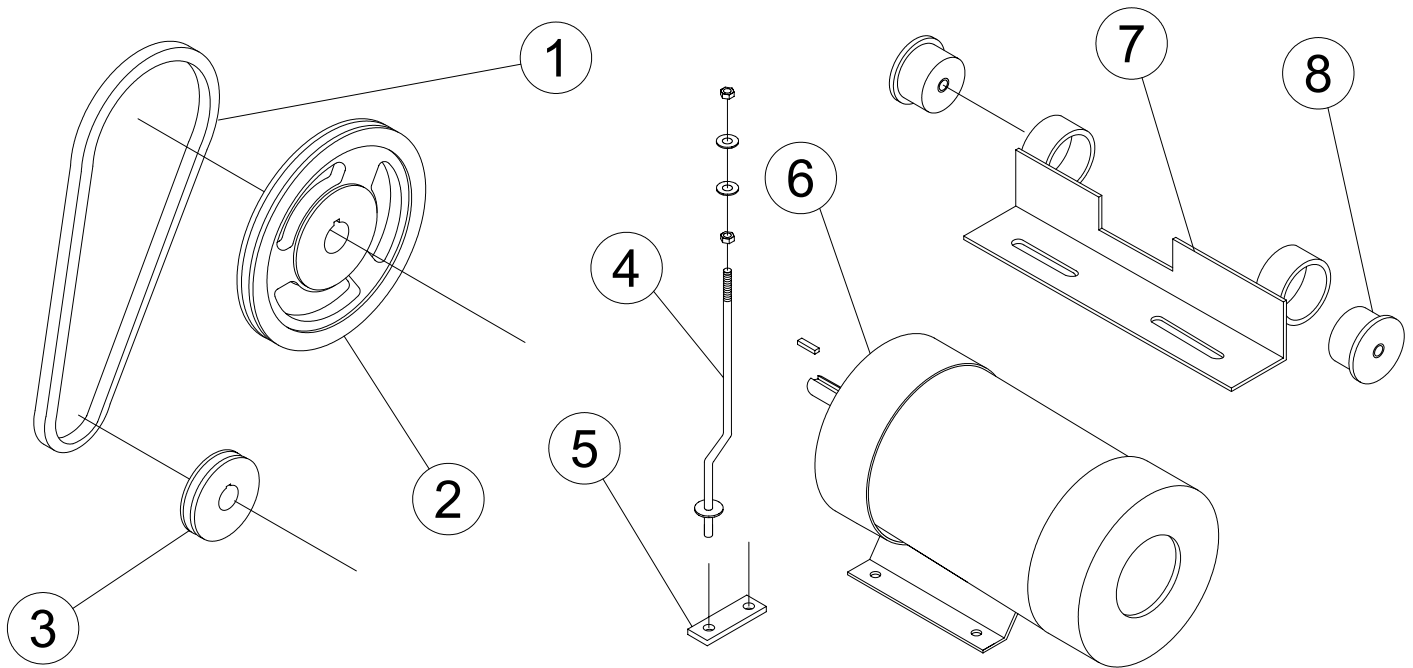


ITEM	PART#	DESCRIPTION	USE
1A	0012050S	STATIONARY TABLE ASSY B12	1
2A	0012060S	TABLE LOCK LEVER B12	1
3	0010331S	FRONT TABLE SUPPORT	1
4	0010332S	REAR TABLE SUPPORT	1
5	0010293	LEVER ADJUSTING LOCK	2
6A	0010375	TABLE TRACK B12	1
7	0010126S	TABLE TRACK SUPPORT	2
8	0010037S	STOP BRACKET ASSEMBLY	2
9	0090612	RUBBER STOP	2
10	0010294S	ANGLE SUPPORT ASSEMBLY	1
11	0010329S	TABLE WHEEL AXLE	2
12	0010098S	TABLE HOLDING PIN	3
13	0010303S	THUMB SCREW	1
14A	0010064	V-GROOVE WHEEL	4
14B	0010065	FLAT WHEEL	4
14C	0010068	U-GROOVE WHEEL	4
15	0010016	TABLE BUTTON	6
16A	0010319S	ROLLER TABLE ASSEMBLY B12	1
17	0010003	EXTENSION TABLE (OPT)	1



BUTCHER BOY B12 BAND SAW

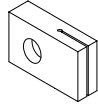
MOTOR & DRIVE COMPONENTS



ITEM	PART#	DESCRIPTION	USE
		BELTS B12	
1	0090500	S/N PRIOR TO 2-10304	1
	0090518	S/N 2-10305 TO 2-10482	1
	0090505	S/N 2-10483 TO 2-10674	1
	0090538	S/N 2-10675 TO 2-13000	1
		DRIVEN PULLEY B12	
2	0010484	S/N PRIOR TO 2-10304	1
	0090199-006	S/N 2-10305 TO 2-10482	1
	0090199-002	S/N 2-10483 TO 2-10675	1
	0090199-053	S/N 2-10676 TO 2-13000	1
		DRIVE PULLEY (MOTOR) B12	
3	0010487	S/N PRIOR TO 2-10304	1
	0090199-009	S/N 2-10305 TO 2-10675	1
	0090199-052	S/N 2-10676 TO 2-13000	1
4	0010384S	S/S TORQUE ROD ASSEMBLY / HARDWARE	1
5	0010430S	S/S TORQUE BRACKET	1
6	AS REQ.	MOTOR	1
7	0010344S	S/S MOTOR MOUNT ASSEMBLY	1
8	0010118	RUBBER MOUNT ASSEMBLY	2

BUTCHER BOY B12 BAND SAW

B12 SAW STD SPEED SPARE PART KIT-.022-.025 BLADE P/N 0010605

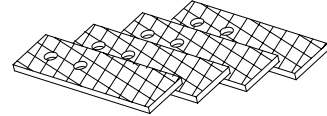


LOWER BLADE GUIDE
PART# 0010002
(1 PC)

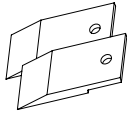


UPPER BLADE GUIDE
PART# 0010074
(1 PC)

0010605 WITH FIBER 0010000
0010605P WITH PLASTIC 0010000P



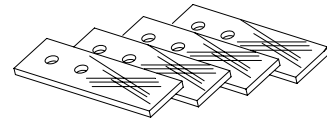
FIBBER BLADE SCRAPERS
PART# 0010300 (4 PCS)



WHEEL FIBBER SCRAPER
PART# 0010040 (2 PCS)



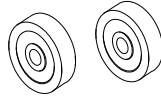
RUBBER BUMPERS
PART# 0090612 (2 PCS)



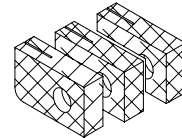
STAINLESS STEEL
BLADE SCRAPERS
PART# 0010310 (4 PCS)



BACK UP BEARING
THUMB SCREW
PART# 0010369S (2 PCS)

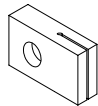


BACK UP BEARING
PART# 0090301
(2 PCS)



PLASTIC BLADE BLOCK
PART# 0010000P (3 PCS)

B12 SAW HI SPEED SPARE KIT-.014-.018 BLADE P/N 0010940

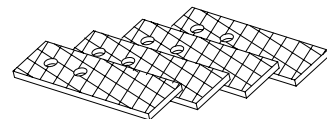


LOWER BLADE GUIDE
WITH CARBOLITE PIN
PART# 0020786
(1 PC)

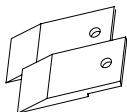


UPPER BLADE GUIDE
WITH CARBOLITE PIN
PART# 0010356
(1 PC)

0010940 WITH FIBER 0010000
0010940P WITH PLASTIC 0010000P



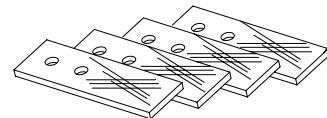
FIBBER BLADE SCRAPERS
PART# 0010300 (4 PCS)



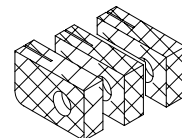
WHEEL FIBBER SCRAPER
PART# 0010040 (2 PCS)



RUBBER BUMPERS
PART# 0090612 (2 PCS)



STAINLESS STEEL
BLADE SCRAPERS
PART# 0010310 (4 PCS)

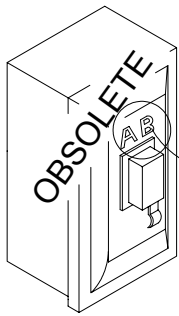


PLASTIC BLADE BLOCK
PART# 0010000P (3 PCS)

BUTCHER BOY B12 BAND SAW

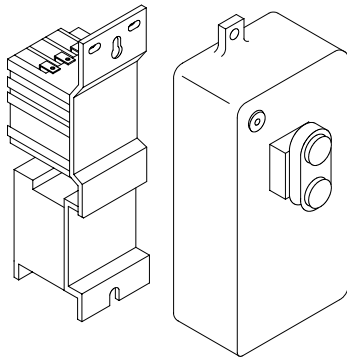
BUTCHER BOY B12 BAND SAW SWITCHES

SWITCHES



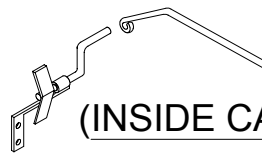
AB

B12 BEFORE S/N 2-9065



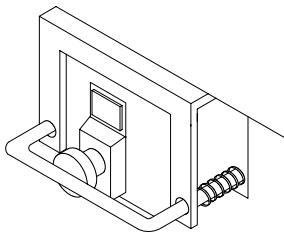
S01 P15

DEFINITE PURPOSE STARTER (MAG.) ASSY



(INSIDE CABINET IN REAR)

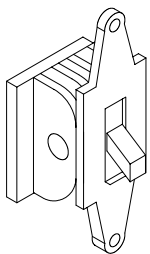
B12 S/N 2-9065 TO S/ 2-11824



S02 P16

DEFINITE PURPOSE STARTER (MAG.) ASSY
(ON FRONT OF MACHINE)

B12 S/N 2-11589 TO S/N 2-11990

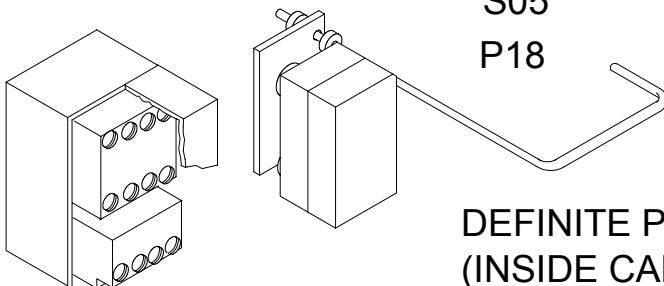


S03 & S04

P17

STANDARD SINGLE PHASE AN THREE PHASE
MANUAL STARTER (TOGGLE) (INSIDE CABINET)

B12 S/N 2-7470 TO S/N 2-12300



S05

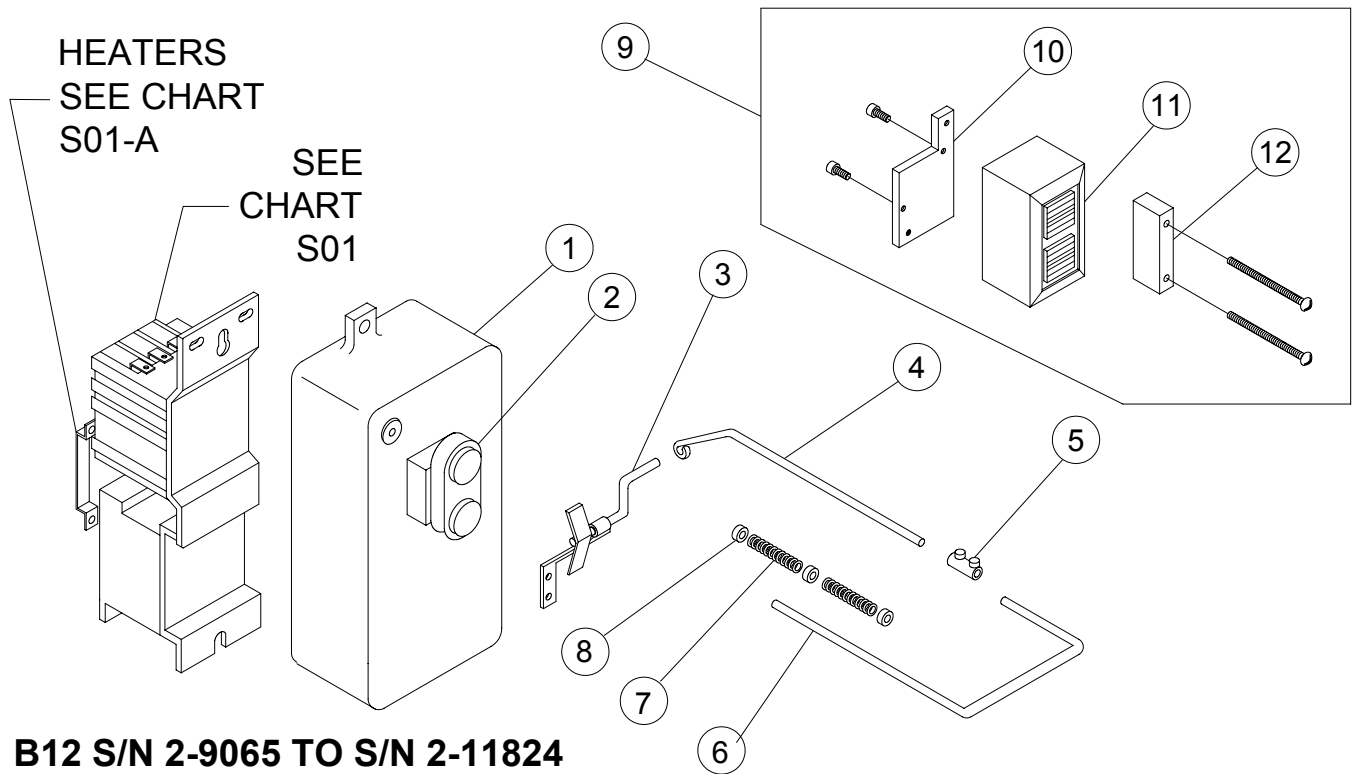
P18

DEFINITE PURPOSE STARTER (MAG.) ASSY
(INSIDE CABINET)

B12 S/N 2-11991 TO S/N 2-12300

BUTCHER BOY B12 BAND SAW PARTS

B12 DEFINITE PURPOSE START (MAG.) ASSEMBLY (INSIDE CABINET IN REAR)



B12 S/N 2-9065 TO S/N 2-11824

CHART S01							
	PH	VOLTAGE / AMPS				S01	
		575	460	230	208		115
1HP	3	1.4				0093033	
	3		1.8			0093008	
	3			3.6		0093007	
	3				4.0	0093007	
	1			6.4		0093006	
	1				7.4	0093006	
	1					12.8	0093055
							"F"

HEATERS CHART S01-A		
(3) FOR 3PH, (2) FOR 1PH		
QTY.	H#	PART#
3	E26	0093519
3	E28	0093524
3	E39	0093554
3	E41	0093529
2	E44	0093531
2	E47	0093533
2	E54	0093538

ITEM	PART#	DESCRIPTION	USE	ITEM	PART#	DESCRIPTION	USE
1	0010192	SWITCH BOX	1	7	0010336S	S/S SPRING	2
2	NOT AVAILABLE SEE ITEM 9 FOR REPLACEMENT KIT			8	0090606S	S/S COLLAR	3
3	0010610S	S/S ROCKER	1	9	0059370-BSAW	REPLACEMENT KIT FOR 0059370	1
4	0012125S	S/S ROD B12	1	10	0010930	MOUNTING PLATE	1
5	0010212S	S/S COUPLING	1	11	0093999-136	P/B SWITCH	1
6	0010244S	S/S HANDLE	1	12	0010931	SPACER	1

BUTCHER BOY B12 BAND SAW PARTS

B12 DEFINITE PURPOSE START (MAG.) ASSEMBLY (ON FRONT OF SAW)

B12 S/N 2-11589 TO S/N 2-11990

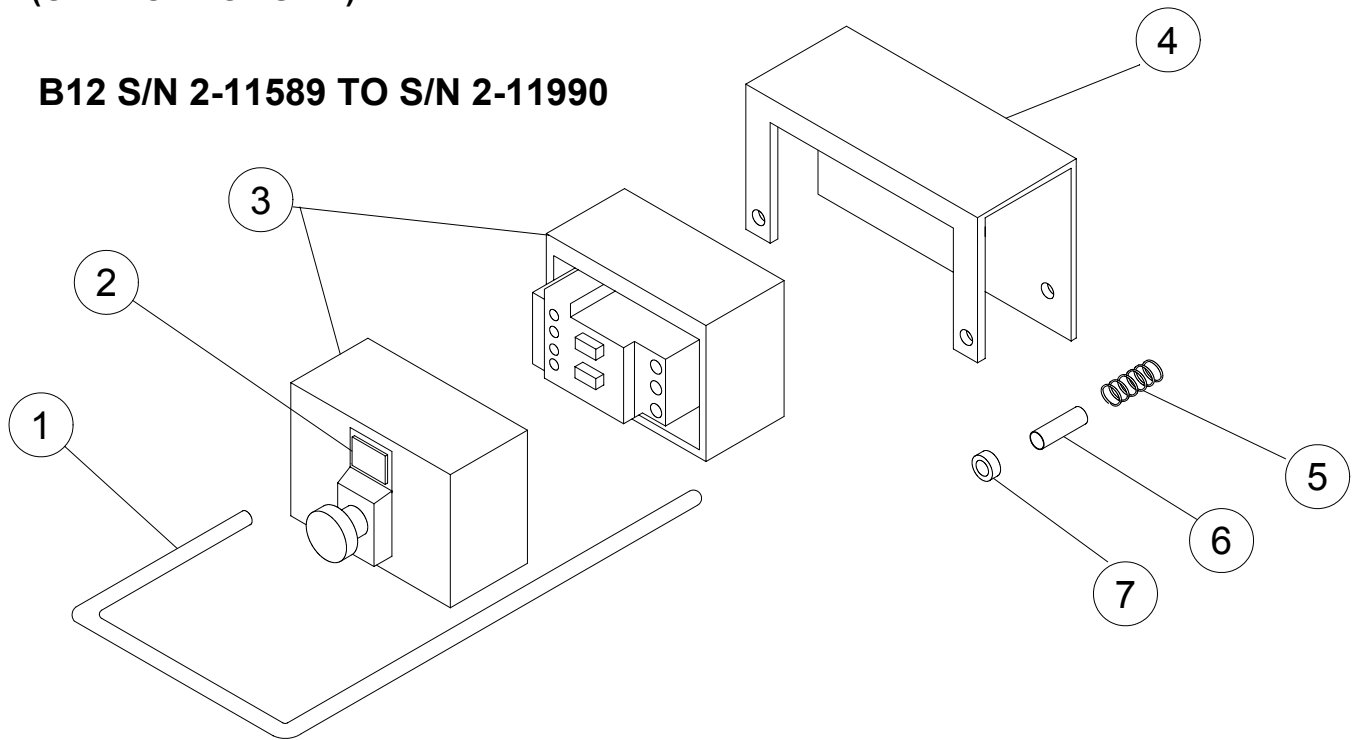


CHART S02

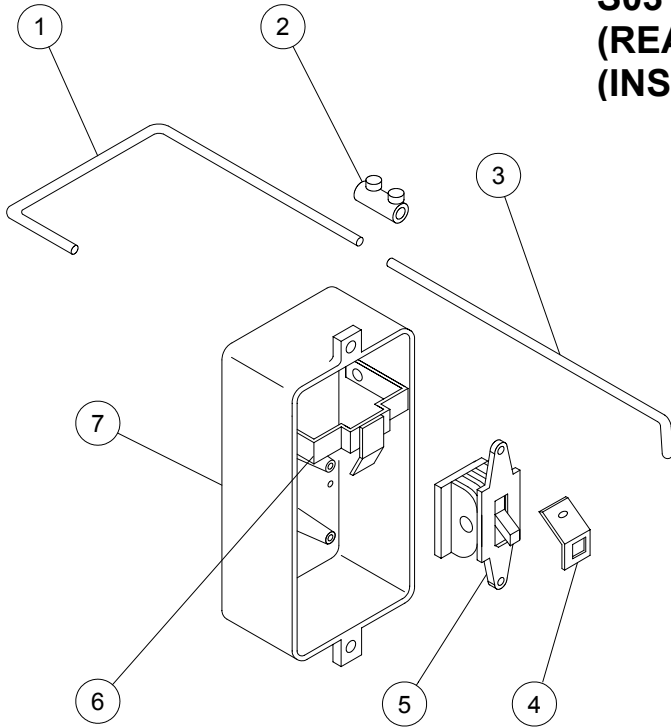
	PH	VOLTAGE / AMPS					STARTER IN CLOSURE
		575	460	230	208	115	
1HP	3	1.4					0093925
	3		1.8				0093929
	3			3.6			0093932
	3				4.0		0093933
	1			6.4			0093934
	1				7.4		0093934
	1					12.8	0093941

ITEM#	PART#	DESCRIPTION	QTY.
1	0010846	S/S STOP BAR	1
2	*0093999-094	SEAL KIT	1
3	SEE CHART S02	CONTACTOR & ENCLOSURE	1
4	0010850S	S/S FRONT BRACKET	1
5	0010802	S/S SPRING	1
6	0010803	S/S TUBING	1
7	0090606S	S/S COLLAR	1

* FOR USE ON TELEM. ONLY

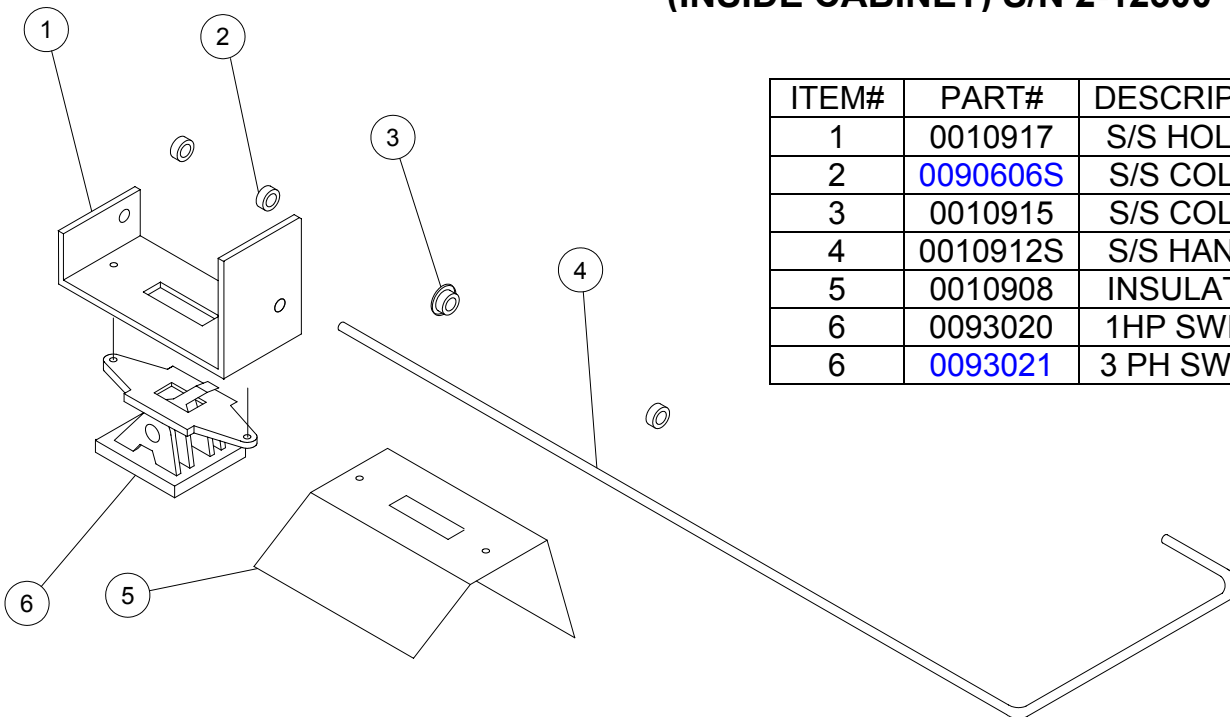
BUTCHER BOY B12 BAND SAW

S03 STANDARD MANUAL STARTER (REAR MOUNTED) S/N 2-7470 TO (INSIDE CABINET) S/N 2-11990



ITEM#	PART#	DESCRIPTION	QTY.
1	0010244S	S/S HANDLE	1
2	0010212S	S/S COUPLING	1
3	0010223S	S/S ROD B12	1
4	0010242S	S/S LEVER	1
5	0093020	1PH SWITCH	1
5	0093021	3PH SWITCH	1
6	0010228	S/S LEVER ASSY	1
7	0010338	SWITCH BOX W/ #6	1

S04 STANDARD MANUAL STARTER (FRONT MOUNTED) S/N 2-11991 TO (INSIDE CABINET) S/N 2-12300

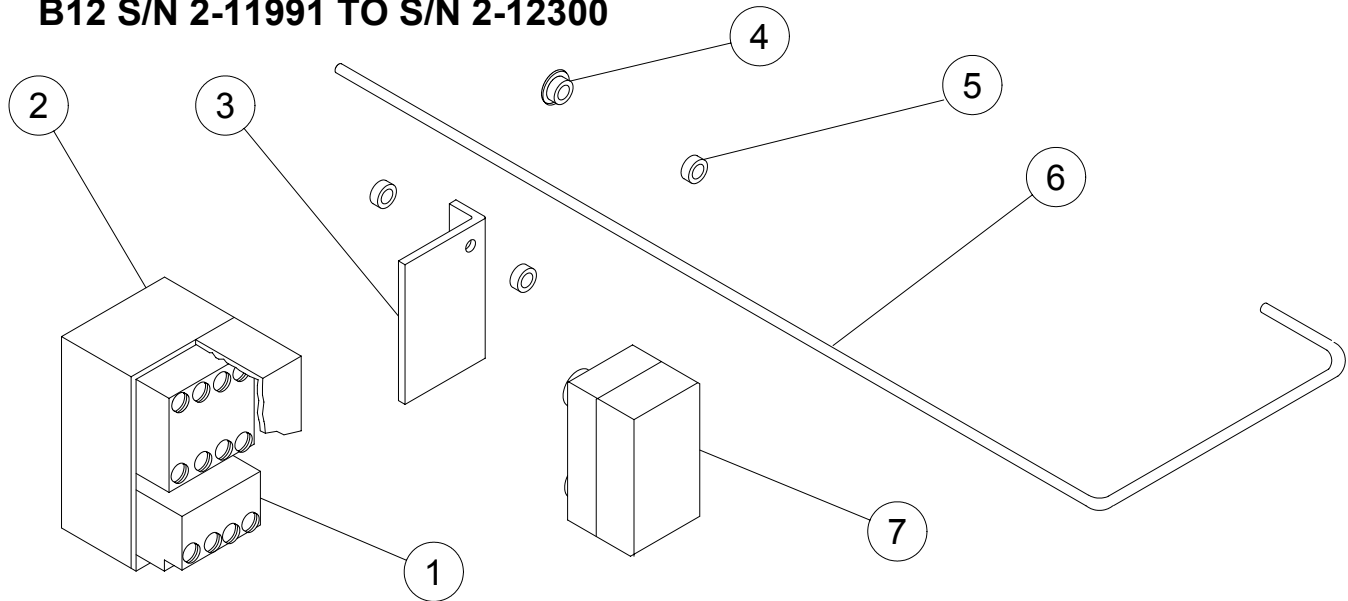


ITEM#	PART#	DESCRIPTION	QTY.
1	0010917	S/S HOLDER	1
2	0090606S	S/S COLLAR	1
3	0010915	S/S COLLAR	1
4	0010912S	S/S HANDLE	1
5	0010908	INSULATION	1
6	0093020	1HP SWITCH	1
6	0093021	3 PH SWITCH	1

BUTCHER BOY B12 BAND SAW PARTS

S05 DEFINITE PURPOSE STARTER (MAG.) ASSEMBLY (INSIDE CABINET)

B12 S/N 2-11991 TO S/N 2-12300



ITEM#	PART#	DESCRIPTION	QTY.
1	SEE CHART	CONTACTOR & OVERLOAD	1
2	0010913	ENCLOSURE	1
3	0010911S	S/S ROCKER	1
4	0010915	S/S COLLAR	1
5	0090606S	S/S COLLAR	1
6	0010912S	S/S HANDLE	1
7	0093279	P/B SWITCH	1

CHART S05							
	PH	VOLTAGE / AMPS					STARTER IN CLOSURE
		575	460	230	208	115	
1HP	3	1.4					
	3		1.8				0093455
	3			3.6			0093450
	3				4.0		0093450
	1			6.4			0093454
	1				7.4		0093454
	1					12.8	0093453

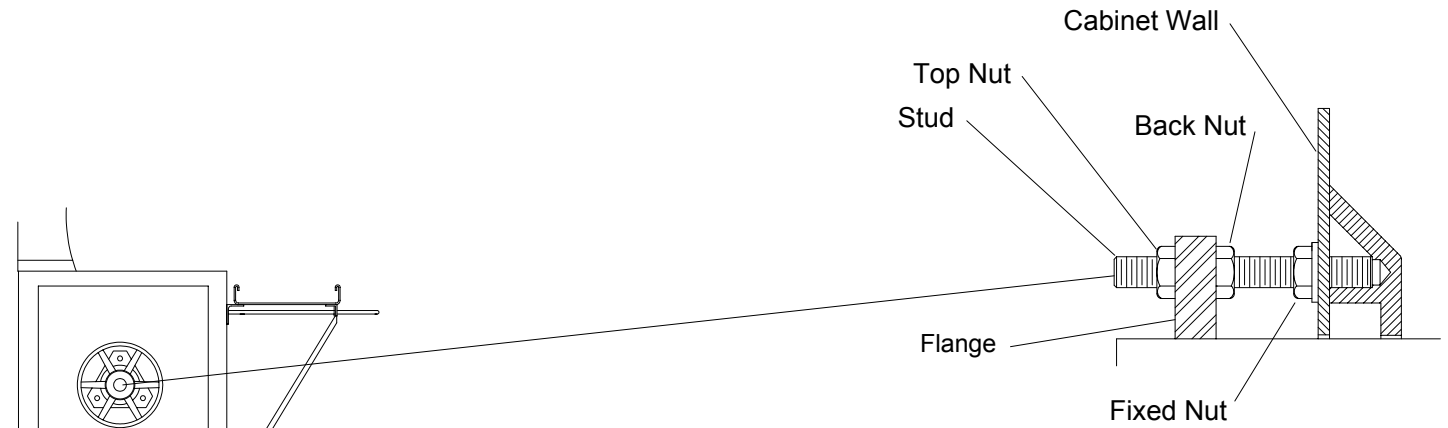
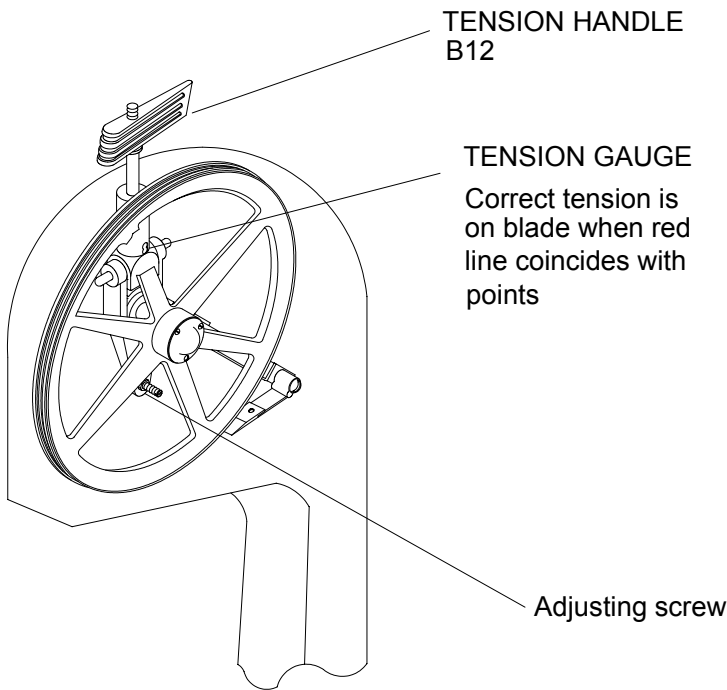
BUTCHER BOY B12 BAND SAW PARTS

WARNING:
NEVER TIGHTEN BLADE BEYOND RED INDICATOR LINE.
BLADE BREAKAGE, SHORTEN BEARING LIFE AND SHAFT BREAKAGE MAY OCCUR

IF SAW BLADE IS JUMPING THE FOLLOWING ADJUSTMENT SHOULD BE MADE.

ADJUST UPPER WHEEL BY:

1. COMPLETELY RELEASING TENSION ON SAW BLADE BY LOOSENING TENSION HANDLE.
2. LOOSENING LOCK-NUT AND TURNING ADJUSTING SCREW ONE OR TWO TURNS IN A CLOCKWISE DIRECTION AND THEN TIGHTENING LOCK-NUT. THIS ADJUSTMENT WILL BRING BLADE AGAINST SHOULDER OF WHEEL.



ADJUST CAMBER OF LOWER WHEEL BY:

1. COMPLETELY RELEASE TENSION ON SAW BLADE BY LOOSENING THE TENSION HANDLE. (SEE ABOVE)
2. LOOSEN TOP NUT IN FRONT OF FLANGE, THEN TURN NUT IN BACK OF FLANGE CLOCKWISE 1/2 TURN. TIGHTEN TOP NUT. REPEAT THIS PROCEDURE AS MANY TIME AS NECESSARY. WHEN FINISHED, TIGHTEN TOP NUT SECURELY.

***IMPORTANT: NEVER LOOSEN FIXED NUTS FOR ADJUSTMENT.**

BUTCHER BOY B12 BAND SAW PARTS

UPPER WHEEL;
2 to 4 strokes with grease gun every 30 days, as needed

TENSION HANDLE:
lubricate daily with edible oil while screwing in and out

UPPER BLADE GUIDE SUPPORT BAR:
lubricate daily with food grade oil while moving up and down

THICKNESS GAUGE THREADS:
lubricate daily with edible oil while screwing in and out

MEAT CARRYING TABLE WHEEL(4)
lubricate daily with edible oil

THICKNESS GAUGE SLIDE ROD:
lubricate daily with edible oil while sliding full length.

LOWER WHEEL BEARING HOUSING:
2 to 4 strokes with grease gun every 30 days as needed

MOTOR:
if equipped with grease fittings grease every six months with bearing grease

AFTER WASHING AND SANITIZING SPRAY ENTIRE SAW (INTERIOR AND EXTERIOR) WITH FOOD GRADE WHITE OIL.