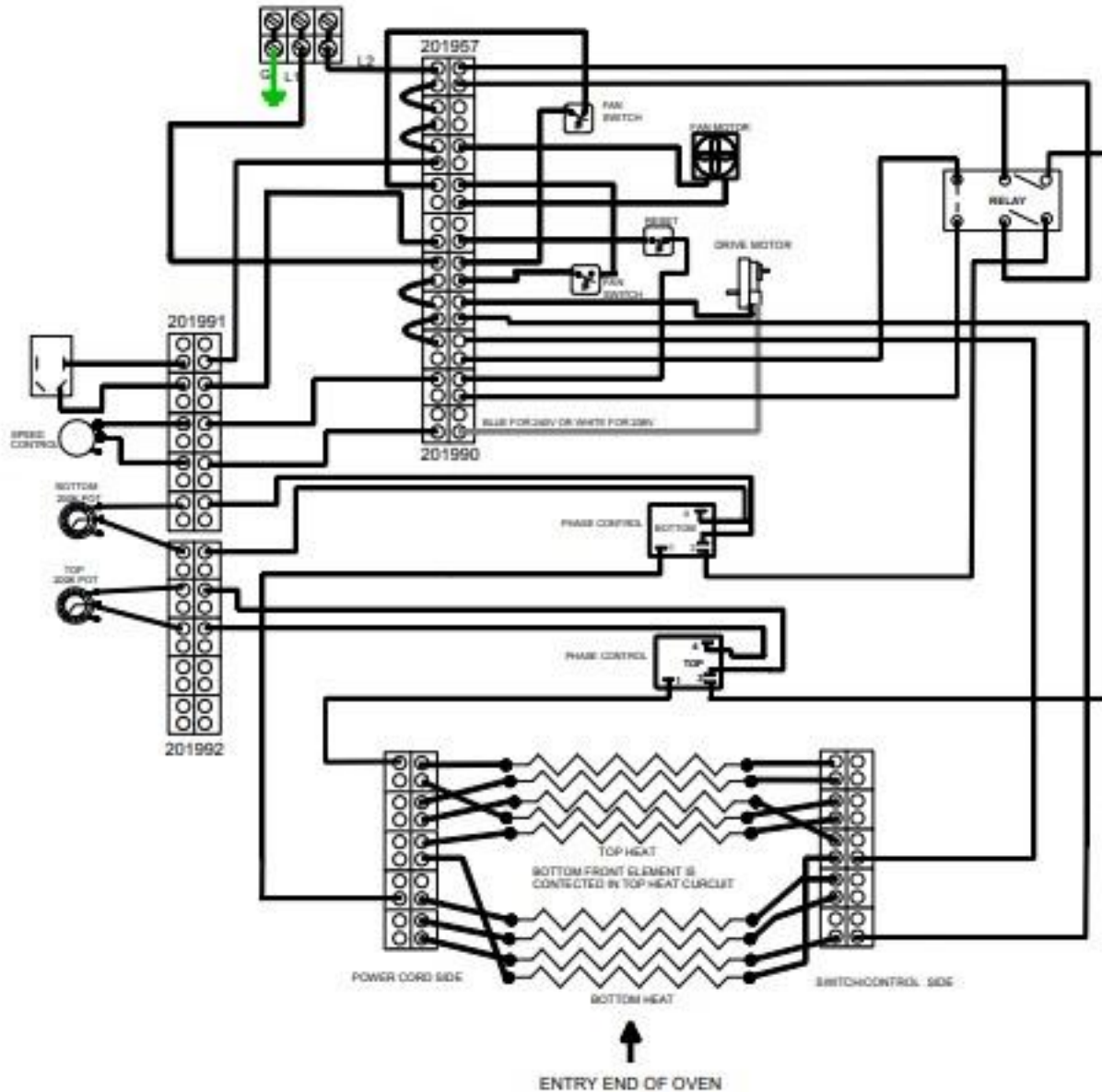


VOLTS	TOP HEAT	BOTTOM HEAT	TOTAL
208	11.5	14.4	25.9
220	13.0	13.8	24.5
240	10.0	12.5	22.5

BELLECO INC. FOOD EQUIPMENT SPECIALISTS P. O. BOX 880 SACO ME 04072	DRAWN BY: MICHAEL CLAVET	WIRE DIAGRAM JPO 14, METAL/QUARTZ TUBE 208, 220, 240 VOLT SINGLE PHASE
	DATE: 05/25/2012, REV.D	

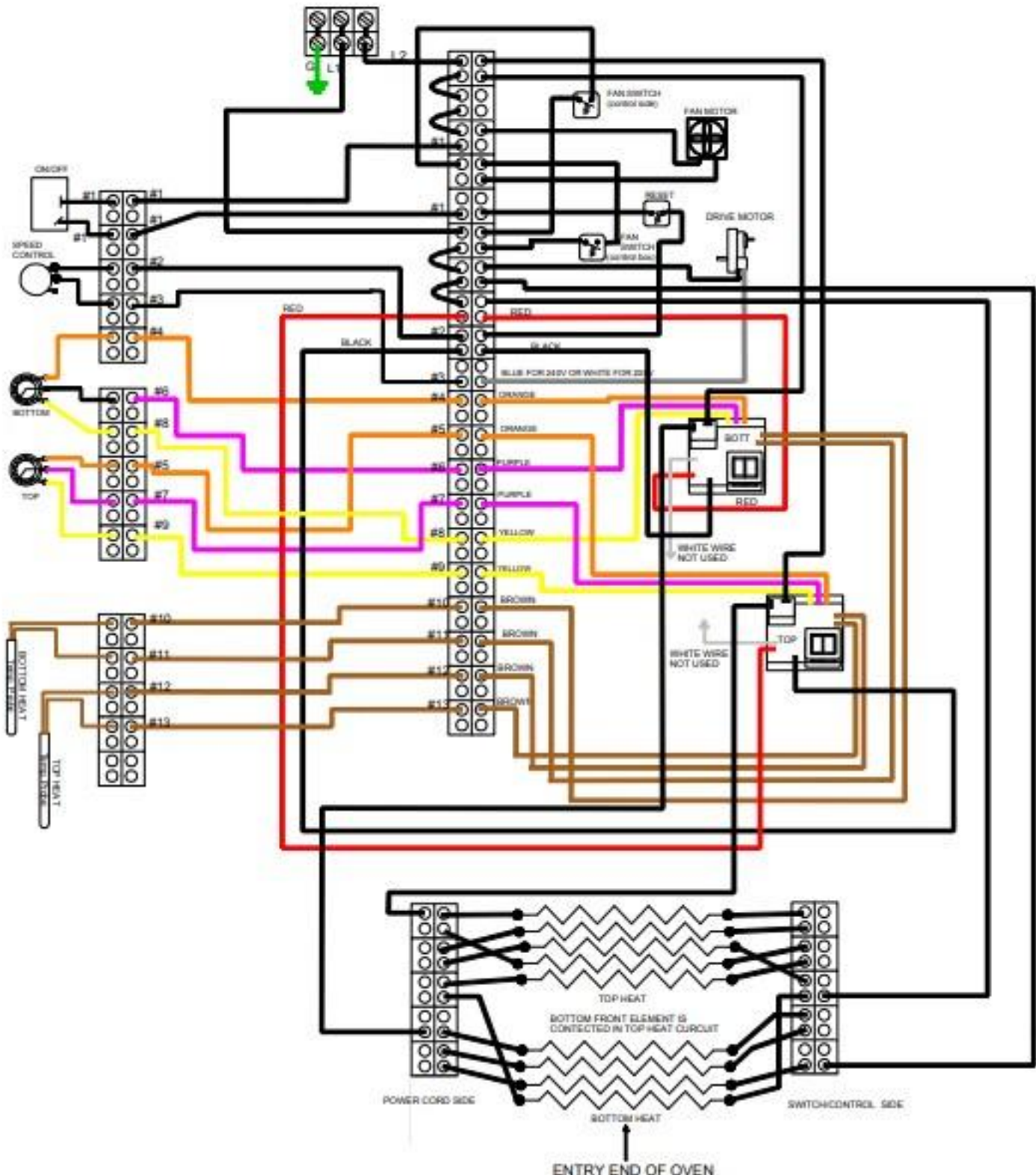
WD022



JSO-14 WITH PHASE CONTROLS

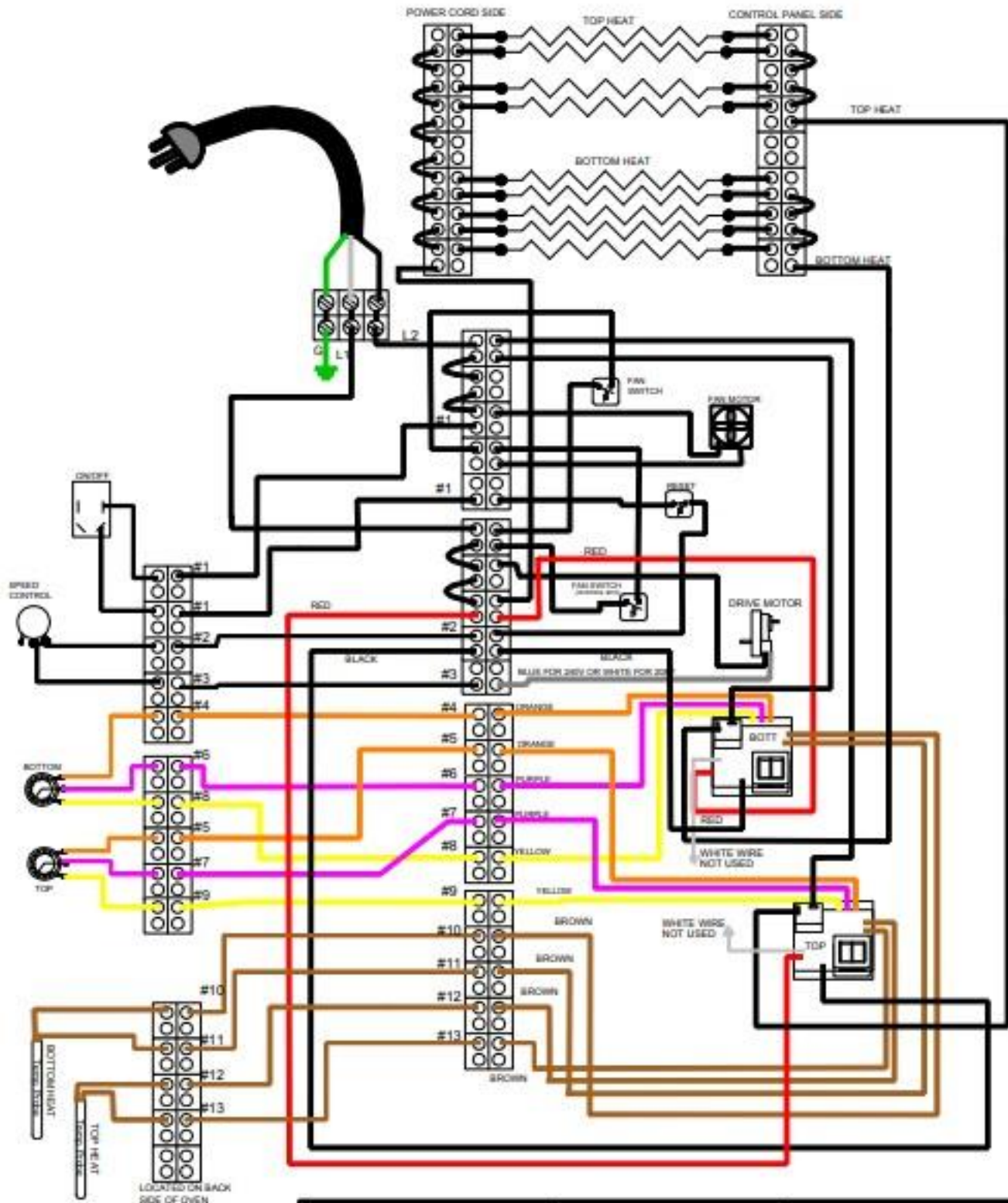
BELLECO INC. FOOD EQUIPMENT SPECIALISTS P. O. BOX 880 SACO ME 04072	DRAWN BY: MICHAEL CLAVET	WIRE DIAGRAM JSO 14, QUARTZ TUBES AND PHASE CONTROLS SINGLE PHASE 208, 220, 240 VOLT
	DATE: 09/10/10	

WD019



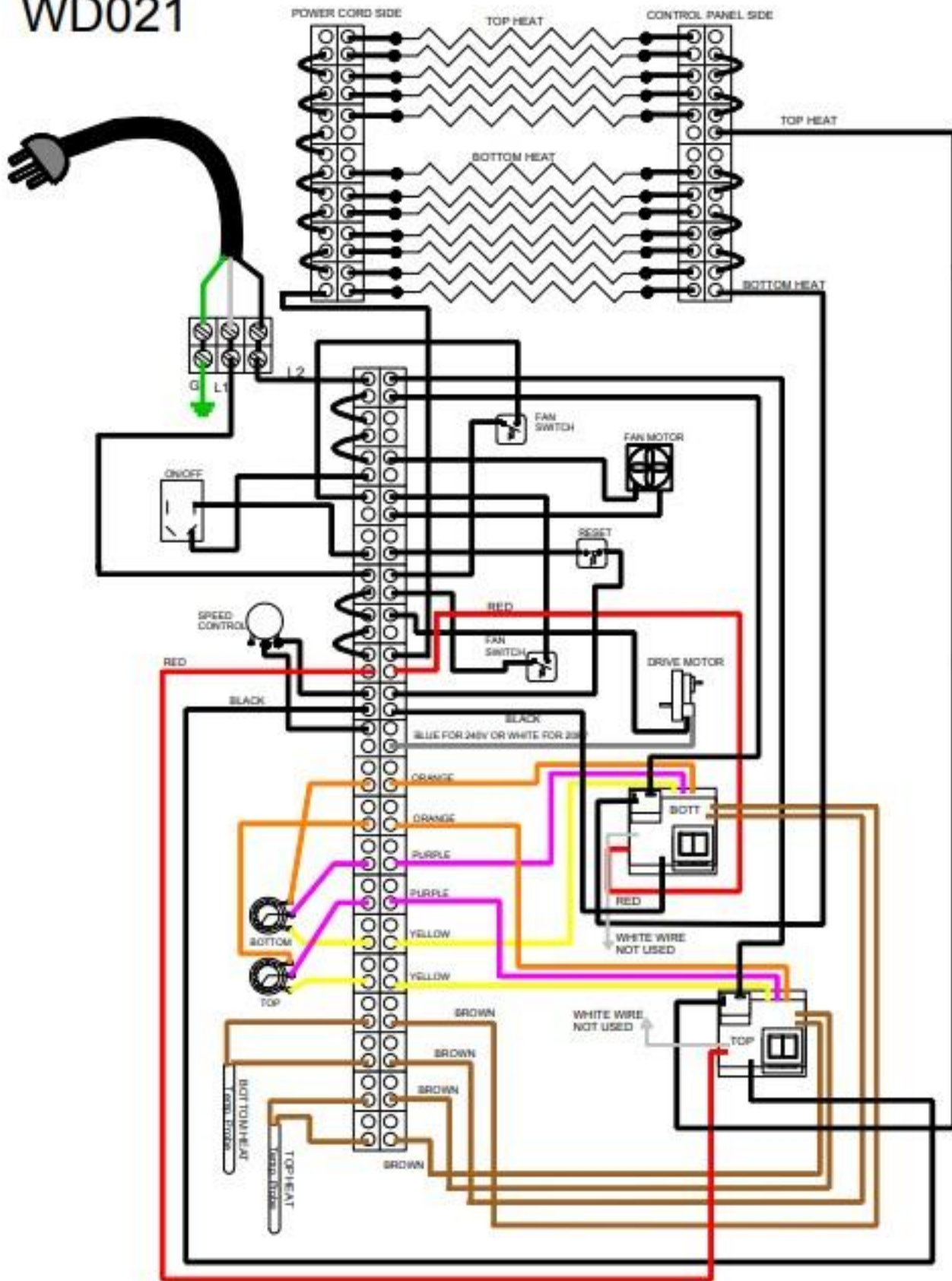
5.4 kW, 9 ea. 600 WATT ELEMENTS
WIRED 3 IN SERIES.

BELLECO INC. FOOD EQUIPMENT SPECIALISTS P. O. BOX 880 SACO ME 04072	DRAWN BY: MICHAEL CLAVET	WIRE DIAGRAM JSO 14, QUARTZ TUBES 208, 220, 240 VOLT SINGLE PHASE
	DATE: 03/01/10 rev. G	



<p>BELLECO INC. FOOD EQUIPMENT SPECIALISTS P. O. BOX 880 SACO ME 04072</p>	<p>DRAWN BY: MICHAEL CLAVET</p>	<p>WIRE DIAGRAM JPO 18, 9 QUARTZ TUBES 208, 220, 240 VOLT SINGLE PHASE</p>
	<p>DATE: 12/17/10</p>	

WD021



BELLECO INC. FOOD EQUIPMENT SPECIALISTS P. O. BOX 880 SACO ME 04072	DRAWN BY: MICHAEL CLAVET	WIRE DIAGRAM JPO 18, METAL TUBES 208, 220, 240 VOLT SINGLE PHASE
	DATE: 03/19/09, REV.F	