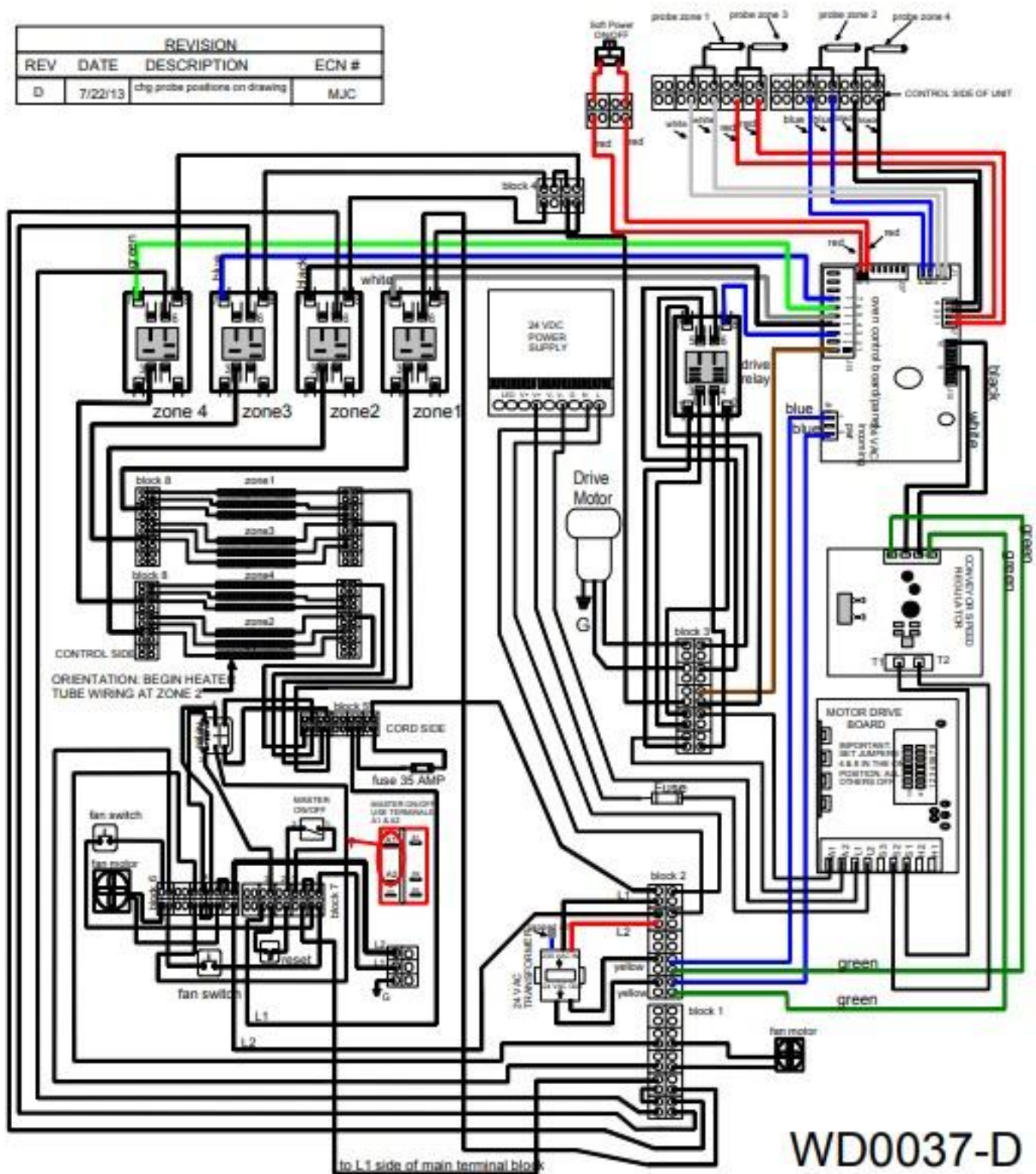


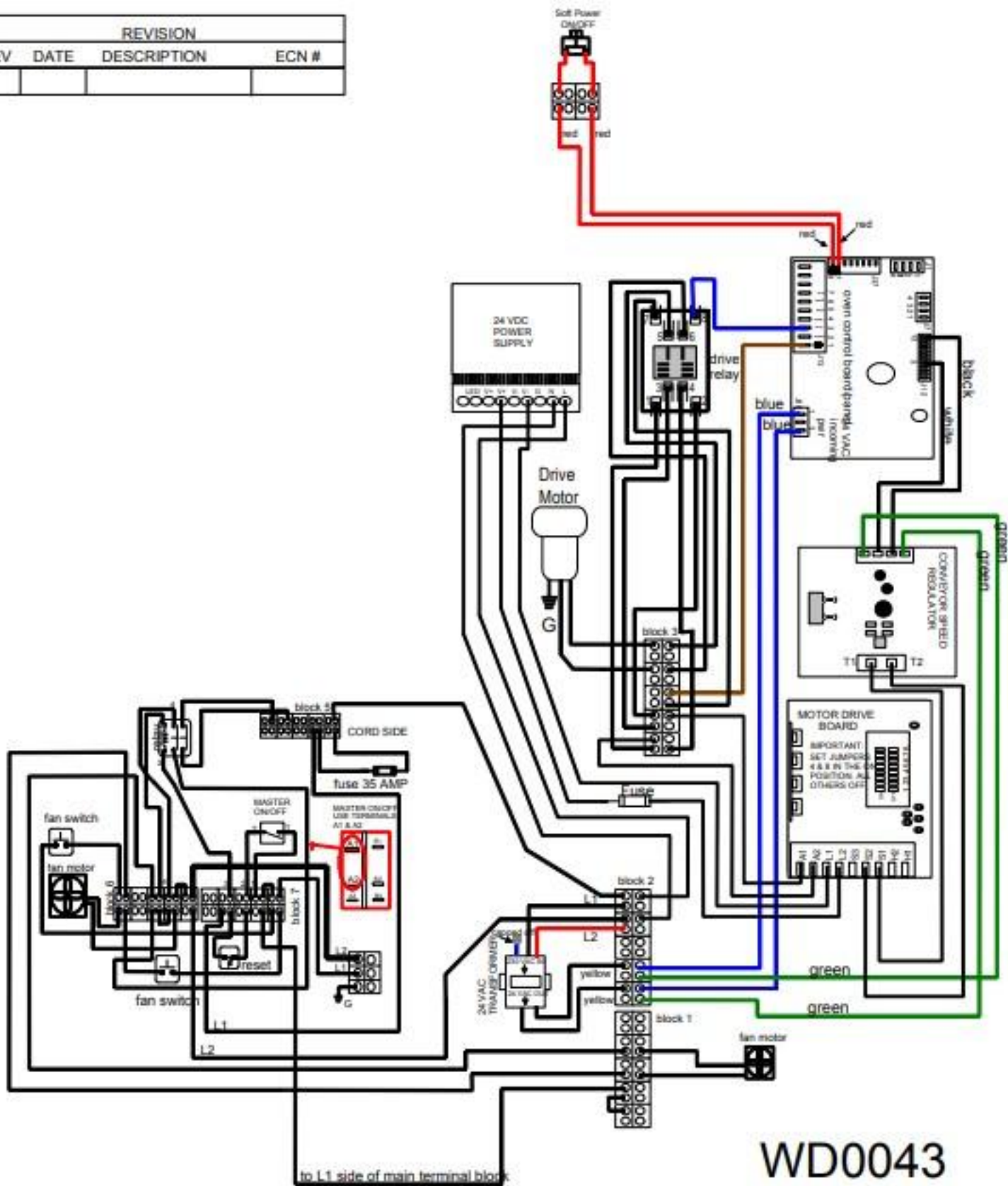
REVISION			
REV	DATE	DESCRIPTION	ECN #
D	7/22/13	chg probe positions on drawing	MJC



WD0037-D

BELLECO INC. FOOD EQUIPMENT SPECIALISTS P. O. BOX 880 SACO ME 04072	DRAWN BY: MICHAEL CLAVET	HEATER TUBE WIRE DIAGRAM MDG - 18 OVEN 208, 240 VOLT SINGLE PHASE
	DATE: 07/16/2013	

REVISION			
REV	DATE	DESCRIPTION	ECN #



WD0043

BELLECO INC.
 FOOD EQUIPMENT SPECIALISTS
 P. O. BOX 880
 SACO ME 04072

DRAWN BY: MICHAEL CLAVET

DATE: 08/23/2013

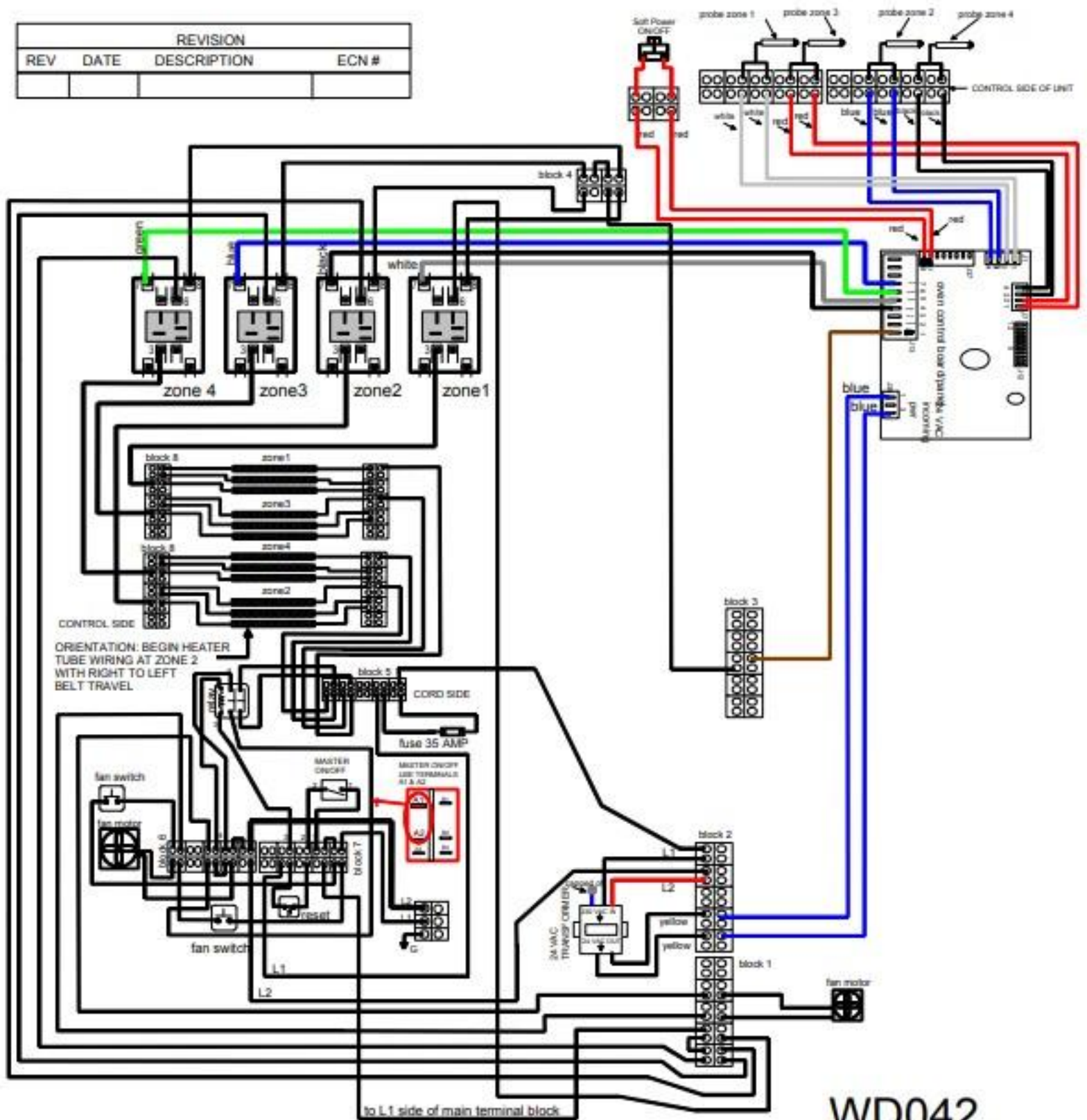
DRIVE SYSTEM DIAGRAM

MDG - 18 OVEN

208, 240 VOLT

SINGLE PHASE

REVISION			
REV	DATE	DESCRIPTION	ECN #



WD042

BELLECO INC. FOOD EQUIPMENT SPECIALISTS P. O. BOX 880 SACO ME 04072	DRAWN BY: MICHAEL CLAVET	HEATER SYSTEM WIRE DIAGRAM MDG - 18 OVEN 208, 240 VOLT SINGLE PHASE
	DATE: 08/23/2013	