



CATALOG OF  
REPLACEMENT PARTS



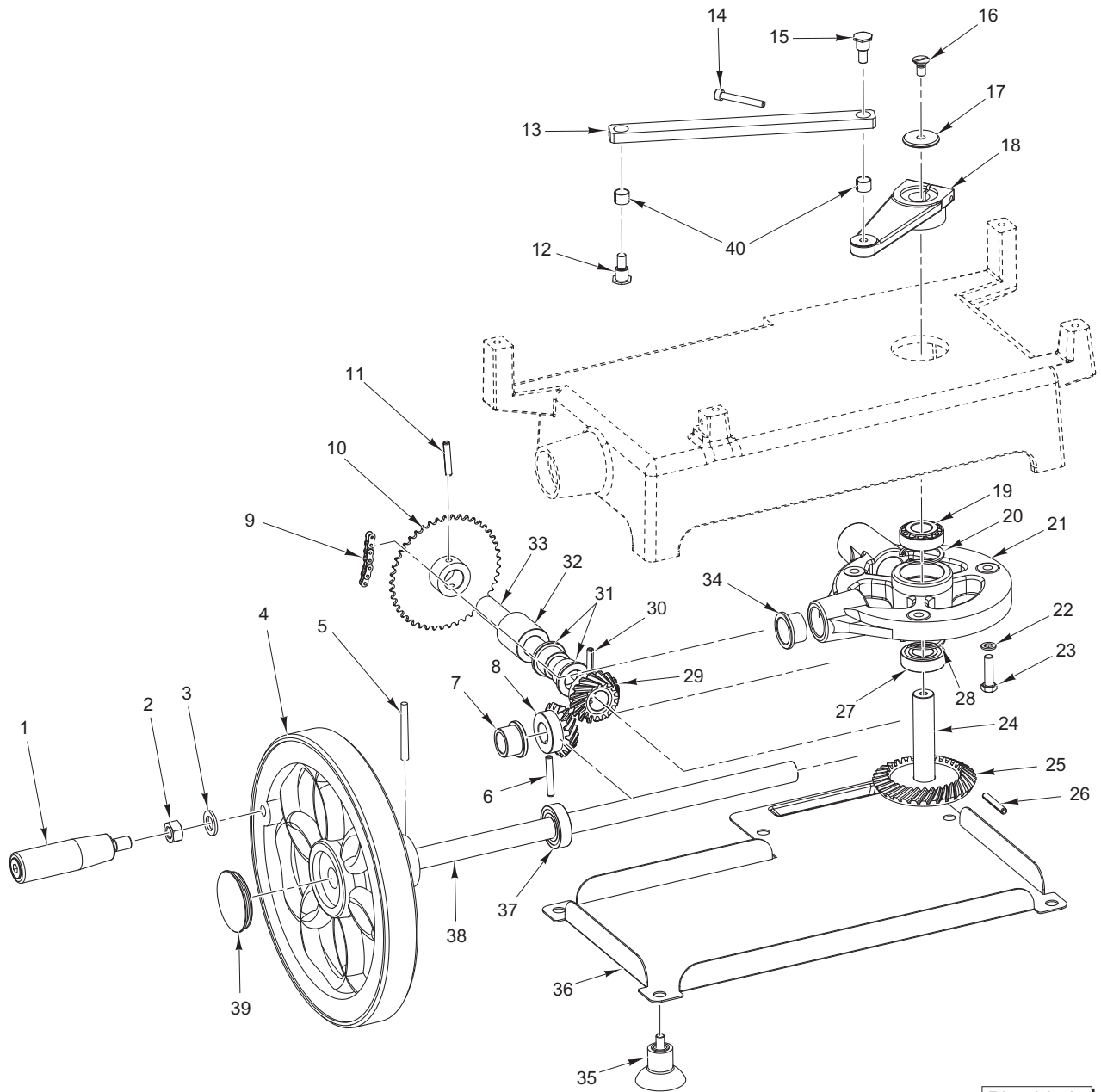
MODEL 300M SLICER

EFFECTIVE SEPTEMBER 2011



**TABLE OF CONTENTS**

5	BASE
7	TRANSMISSION
8	GUARDS
9	FEEDING CARRIAGE
11	SLIDING PLATE
13	CARRIAGE
15	SHARPENER

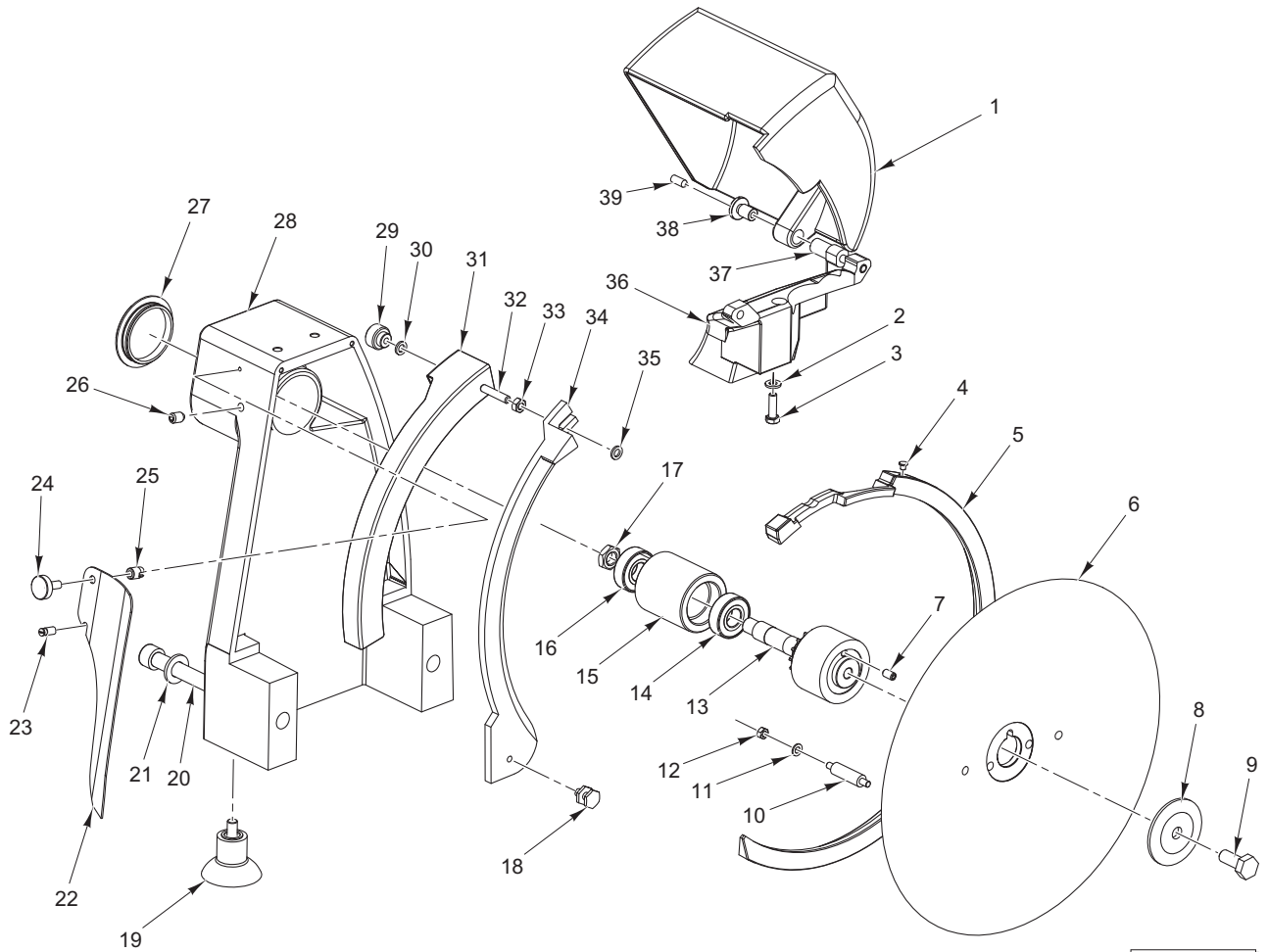


PL-59676

BASE

**BASE**

ILLUS. PL-59676	PART NO.	NAME OF PART	AMT.
1	01-40330M-00001	Handle – Flywheel .....	1
2	01-40300M-00028	Nut M12 (SST).....	1
3	01-40300M-00029	Washer (SST) .....	1
4	01-40300M-00023	Flywheel.....	1
5	01-40300M-00024	Pin – Spring 6 x 60 (SST).....	1
6	01-40300M-00011	Pin – Spring 6 x 40 .....	1
7	01-40300M-00005	Bushing.....	1
8	01-40330M-00013	Gear (Z16).....	1
9	01-40300M-00025	Chain .....	3
10	01-40300M-00008	Pinion (Z45).....	1
11	01-40300M-00010	Pin – Spring 6 x 35 .....	1
12	01-40300M-00021	Screw (For Crankwheel Joint) .....	1
13	01-40300M-00163	Crankwheel Arm Assy. (Steel) (Incls. Item 40).....	1
14	01-40300M-00017	Screw M6 x 45 (SST).....	1
15	01-40300M-00020	Screw (For Crankwheel Joint) (Left).....	1
16	01-40300M-00016	Screw M8 x 16 (SST).....	1
17	01-40300M-00015	Washer (Alum.).....	1
18	01-40300M-00014	Crankwheel.....	1
19	01-40330M-00017	Bearing .....	1
20	01-40300M-00006	Circlip.....	1
21	01-40300M-00162	Gear Support Assy. (Incls. Items 19, 20, 21, 27, & 28).....	1
22	01-40330M-00143	Washer (SST).....	3
23	01-40330M-00224	Screw M8 x 35 (SST).....	3
24	01-40300M-00013	Shaft – Gear .....	1
25	01-40300M-00012	Gear (Z32) .....	1
26	01-40300M-00011	Pin – Spring 6 x 40 .....	1
27	01-40300M-00002	Bearing .....	1
28	01-40300M-00006	Circlip.....	1
29	01-40330M-00013	Gear (Z16) .....	1
30	01-40300M-00011	Pin – Spring 6 x 40 .....	1
31	01-40300M-00005	Bushing.....	2
32	01-40300M-00007	Spacer – Pinion .....	1
33	01-40300M-00009	Shaft – Pinion .....	1
34	01-40300M-00005	Bushing.....	1
35	01-400827-00093	Foot – Rubber.....	4
36	01-40300M-00026	Plate.....	1
37	01-40300M-00002	Bearing .....	1
38	01-40300M-00022	Rod .....	1
39	01-40300M-00027	Cover – Aluminum .....	1
40	01-40300M-00019	Bushing.....	2

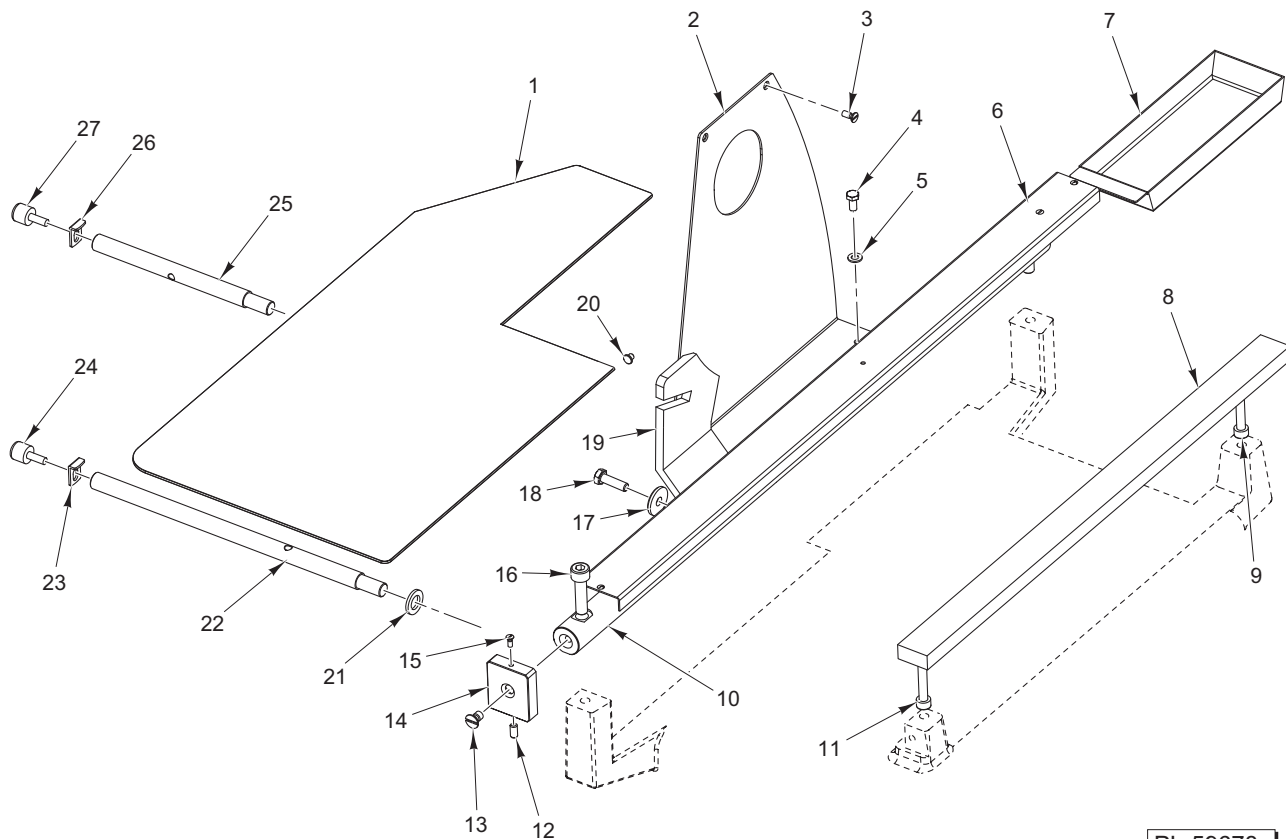


PL-59677

**TRANSMISSION**

**TRANSMISSION**

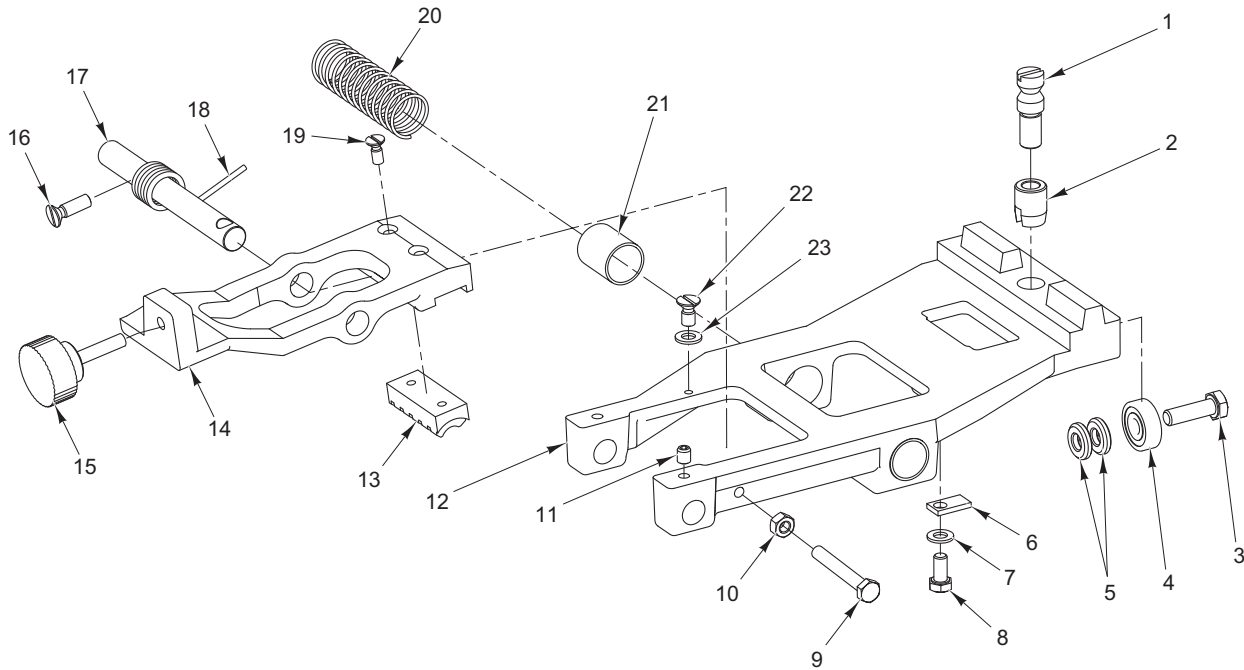
ILLUS. PL-59677	PART NO.	NAME OF PART	AMT.
1	01-40300M-00041	Cover – Sharpener .....	1
2	01-40330M-00051	Washer (SST) .....	2
3	01-40300M-00033	Screw M6 x 18 (SST).....	2
4	01-400825-00030	Tap – Plastic .....	1
5	01-40300M-00166	Ring Guard Assy. (Aluminum) (Incls. Item 4).....	1
6	01-40300M-00043	Blade (300mm) .....	1
7	01-40825A-00086	Grub Screw M6 x 12 .....	1
8	01-40300M-00047	Flange .....	1
9	01-40300M-00046	Screw (SST) .....	1
10	01-40300M-00039	Spacer .....	2
11	01-40300M-00037	Washer (SST) .....	2
12	01-40330M-00043	Nut M5 (SST).....	2
13	01-40300M-00165	Pulley Shaft Assy. (Incls. Items 7 & 14 thru 17).....	1
14	01-40330M-00045	Bearing .....	1
15	01-40330M-00046	Hub .....	1
16	01-40330M-00045	Bearing .....	4
17	01-40300M-00028	Nut M12 (SST).....	2
18	01-40330M-00060	Screw (SST) .....	1
19	01-400827-00093	Foot – Rubber.....	1
20	01-40300M-00055	Screw M12 x 100 .....	2
21	01-40300M-00029	Washer (SST) .....	2
22	01-40300M-00051	Deflector – Slice.....	1
23	01-40300M-00053	Pin (For Slice Deflector).....	1
24	01-40300M-00168	Knob Assy. (SST).....	1
25	01-400825-00135	Insert.....	1
26	01-40300M-00044	Grub Screw M8 x 12 .....	1
27	01-40300M-00036	Cover – Aluminum .....	1
28	01-40300M-00164	Head Assy. (Incls. Items 23 & 25).....	1
29	01-40300M-00057	Knob (SST) .....	1
30	01-40330M-00051	Washer (SST) .....	1
31	01-40300M-00056	Blade Protection .....	1
32	01-40300M-00049	Grub Screw M6 x 40 (SST).....	1
33	01-40330M-00155	Nut M6 (SST) .....	1
34	01-40300M-00167	Cover Assy. – Front Blade (Aluminum) (Incls. Item 18).....	1
35	01-40330M-00051	Washer (SST) .....	1
36	01-40300M-00032	Support – Ring & Sharpener.....	1
37	01-40300M-00040	Pin (For Sharpener Cover) .....	1
38	01-40300M-00042	Adjusting Screw .....	1
39	01-40300M-00058	Grub Screw M6 x 12 .....	1



PL-59678

### GUARDS

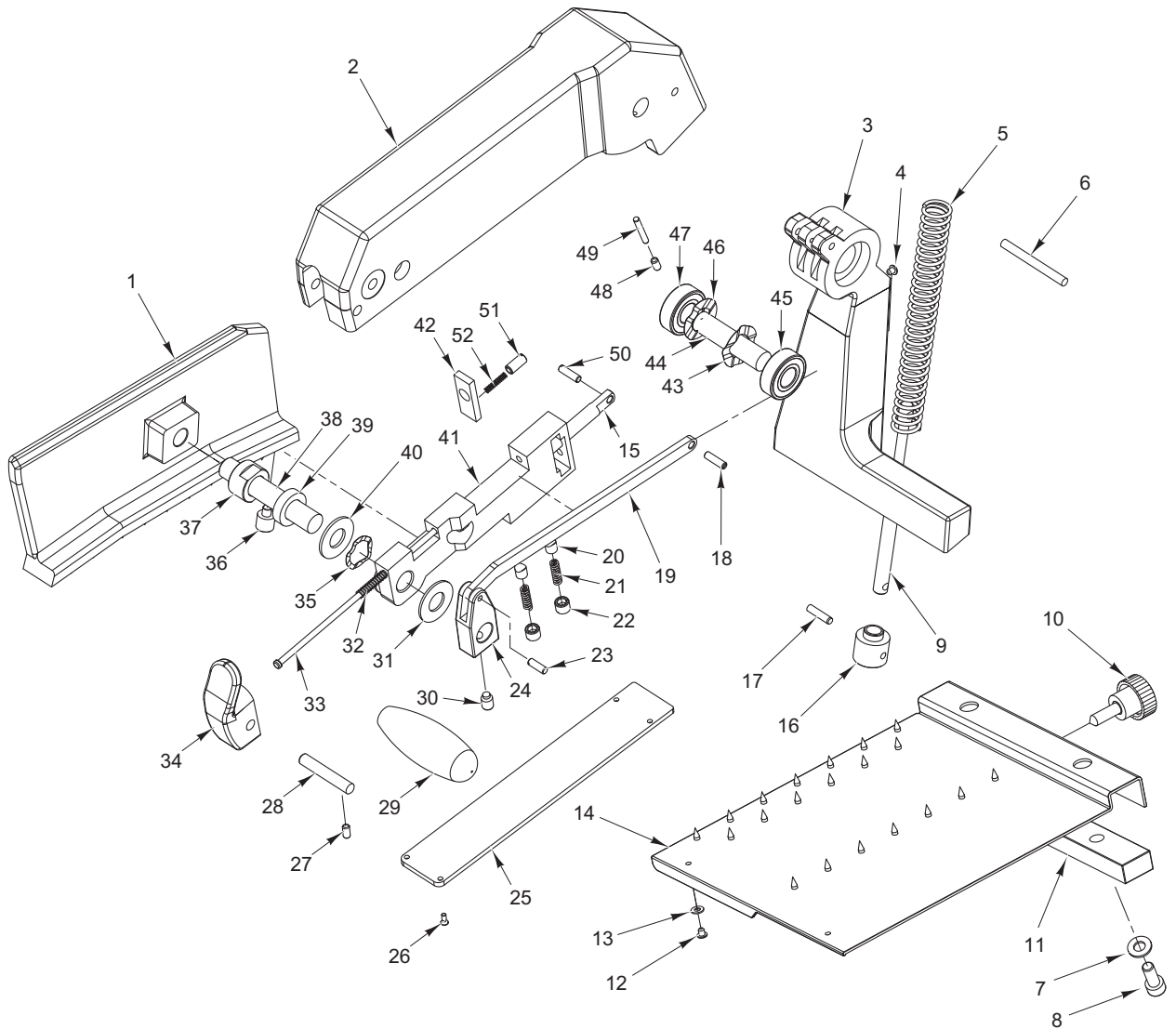
ILLUS.	PART NO.	NAME OF PART	AMT.
PL-59678			
1	01-40300M-00065	Tray.....	1
2	01-40300M-00072	Guard – Chain .....	1
3	01-40330M-00137	Screw M4 x 8 (SST).....	2
4	01-40300M-00073	Screw M5 x 10 (SST).....	2
5	01-40330M-00068	Washer (SST).....	2
6	01-40300M-00069	Rod – Protection.....	1
7	01-40300M-00074	Tank.....	1
8	01-40300M-00060	Bar – Square.....	1
9	01-40300M-00017	Screw M6 x 45 (SST).....	1
10	01-40300M-00059	Rod.....	1
11	01-40300M-00017	Screw M6 x 45 (SST).....	1
12	01-40330M-00218	Grub Screw M5 x 10.....	2
13	01-40300M-00070	Screw M6 x 10 (SST).....	2
14	01-40300M-00068	Block.....	2
15	01-40300M-00071	Screw M3 x 6 (SST).....	2
16	01-40300M-00078	Screw M8 x 30 (SST).....	2
17	01-400825-00006	Washer.....	2
18	01-40300M-00033	Screw M6 x 18 (SST).....	2
19	01-40300M-00075	Shoe.....	1
20	01-400825-00030	Tap – Plastic.....	1
21	01-40300M-00063	Washer (SST).....	2
22	01-40300M-00062	Pin.....	1
23	01-40300M-00066	Plate – Locking.....	1
24	01-40300M-00067	Knob.....	1
25	01-40300M-00064	Pin.....	1
26	01-40300M-00066	Plate – Locking.....	1
27	01-40300M-00067	Knob.....	1



PL-59681

**FEEDING CARRIAGE**

ILLUS.	PART NO.	NAME OF PART	AMT.
PL-59681			
1	01-40300M-00139	Pin.....	1
2	01-40300M-00136	Bushing.....	1
3	01-40300M-00091	Screw M6 x 20 (SST).....	1
4	01-40330M-00210	Bearing.....	1
5	01-40330M-00029	Washer.....	2
6	01-40300M-00127	Plate.....	1
7	01-40300M-00126	Washer (SST).....	1
8	01-40300M-00073	Screw M5 x 10 (SST).....	1
9	01-40300M-00132	Screw M5 x 35 (SST).....	1
10	01-40330M-00043	Nut M5 (SST).....	1
11	01-400825-00086	Grub Screw M5 x 6.....	2
12	01-40300M-00175	Feeding Carriage Assy. (Incls. Items 1, 2, 21, 22, & 23).....	1
13	01-40330M-00208	Rack.....	1
14	01-40300M-00124	Lever – Carriage.....	1
15	01-40300M-00176	Knob Assy. ....	1
16	01-40300M-00135	Screw M5 x 16 (SST).....	1
17	01-40300M-00133	Shaft.....	1
18	01-40300M-00134	Spring.....	1
19	01-40330M-00126	Screw M4 x 10 (SST).....	2
20	01-40300M-00130	Spring.....	1
21	01-400825-00140	Bushing.....	2
22	01-40300M-00125	Screw M5 x 10 (SST).....	1
23	01-40300M-00126	Washer (SST).....	1

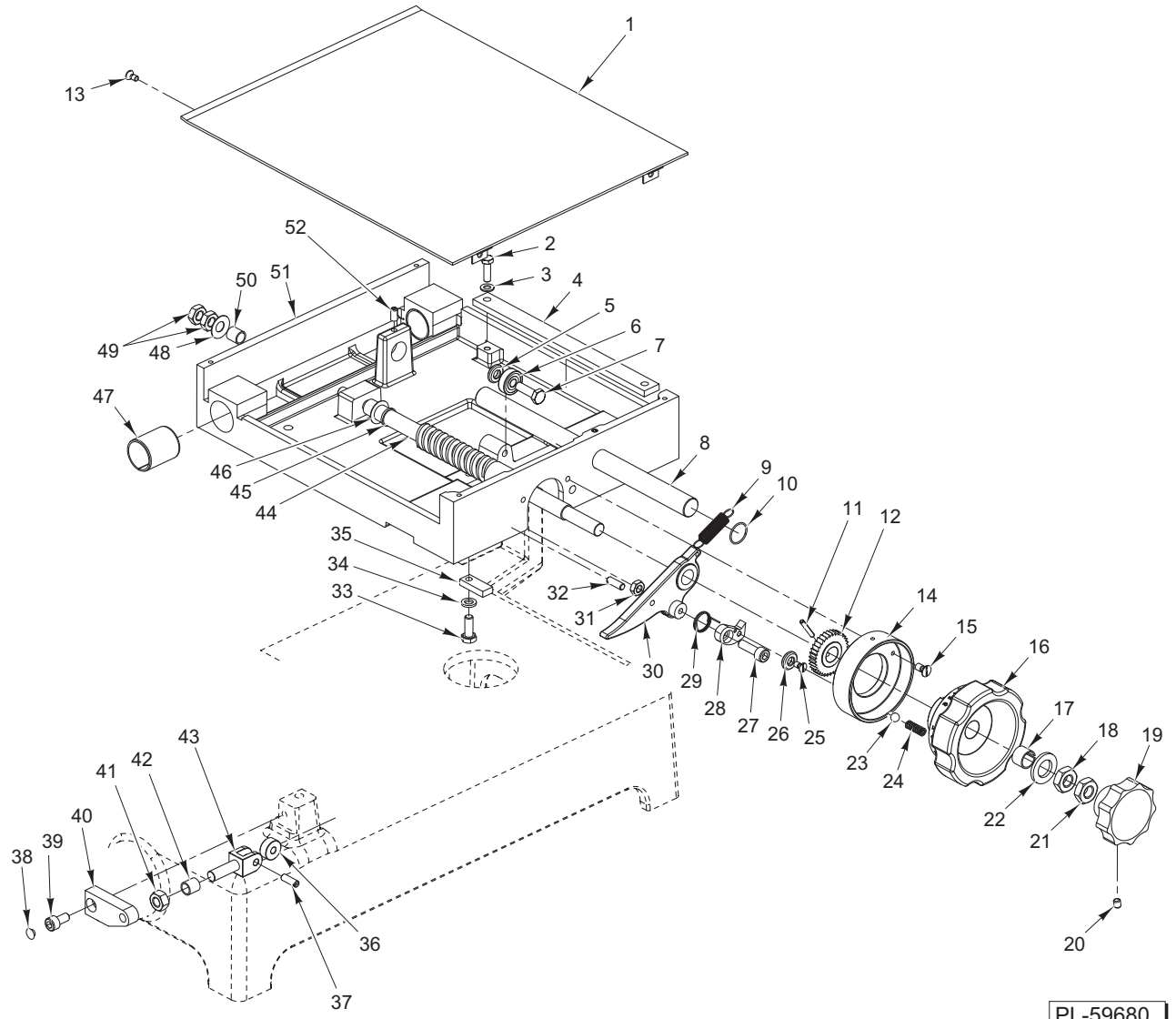


PL-59679

SLIDING PLATE

SLIDING PLATE

ILLUS. PL-59679	PART NO.	NAME OF PART	AMT.
1	01-40300M-00082	Aluminum Handgrip .....	1
2	01-40330M-00554	Body – Handgrip .....	1
3	01-40300M-00079	Handgrip .....	1
4	01-400825-00030	Tap – Plastic .....	1
5	01-40330M-00558	Spring .....	1
6	01-40330M-00559	Pin (SST) .....	1
7	01-40330M-00143	Washer (SST) .....	2
8	01-40300M-00078	Screw M8 x 25 (SST).....	2
9	01-40330M-00560	Rod (For Spring) .....	1
10	01-40300M-00171	Knob Assy. ....	1
11	01-40300M-00086	Plate – Aluminum.....	1
12	01-400825-00030	Tap – Plastic .....	2
13	01-40330M-00054	Washer (SST) .....	2
14	01-40300M-00170	Cover Assy. – Plate (SST) .....	1
15	01-40330M-00548	Rod .....	1
16	01-40330M-00562	Spacer .....	1
17	01-40330M-00561	Pin.....	1
18	01-40330M-00112	Pin 5 x 18.....	1
19	01-40330M-00568	Rod – Joint.....	1
20	01-40330M-00099	Tablet – Brass.....	2
21	01-40330M-00100	Spring .....	2
22	01-40330M-00101	Grub Screw.....	2
23	01-40330M-00527	Pin 6-M5 x 15.....	1
24	01-40330M-00532	Brake – Joint.....	1
25	01-40330M-00523	Plate.....	1
26	01-40330M-00522	Screw M3 x 8.....	4
27	01-40330M-00218	Grub Screw.....	1
28	01-40330M-00531	Pin 8 x 50.....	1
29	01-40300M-00081	Handle – Black.....	1
30	01-40300M-00083	Grub Screw M8 x 12.....	1
31	01-40330M-00533	Washer.....	1
32	01-40330M-00096	Spring .....	1
33	01-40330M-00535	Rod .....	1
34	01-40330M-00536	Lever – Black .....	1
35	01-40330M-00537	Washer.....	1
36	01-40330M-00538	Pin – Nylon .....	1
37	01-40330M-00541	Bushing.....	1
38	01-40330M-00539	Pin.....	1
39	01-40330M-00542	Spacer .....	1
40	01-40330M-00543	Washer.....	2
41	01-40330M-00544	Brake Body .....	1
42	01-40330M-00545	Brake Plate .....	1
43	01-400825-00095	Washer.....	1
44	01-40330M-00550	Pin (For Handgrip) .....	1
45	01-40330M-00551	Bearing .....	1
46	01-400825-00095	Washer.....	1
47	01-40330M-00551	Bearing .....	1
48	01-40330M-00218	Grub Screw.....	3
49	01-40330M-00553	Pin.....	1
50	01-40330M-00112	Pin 5 x 18.....	1
51	01-40330M-00104	Grub Screw.....	1
52	01-40330M-00103	Spring .....	1
	01-40300M-00169	Hand Grip Assy. (Incls. Items 1 thru 6, 9, & 15 thru 52).....	1

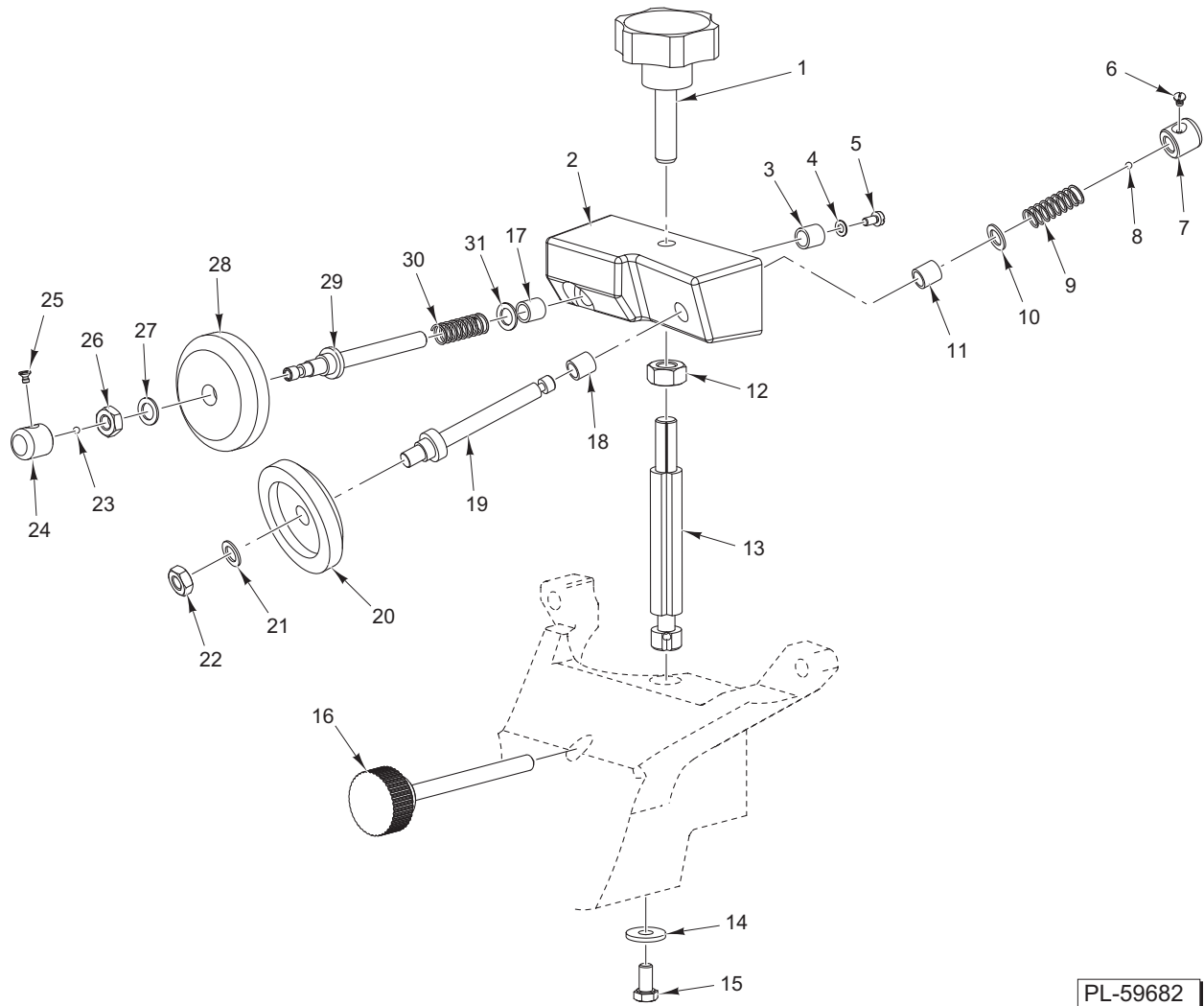


PL-59680

CARRIAGE

**CARRIAGE**

ILLUS. PL-59680	PART NO.	NAME OF PART	AMT.
1	01-40300M-00118	Cover – Plate (SST).....	1
2	01-40330M-00183	Screw M5 x 14 (SST).....	2
3	01-40330M-00068	Washer (SST).....	2
4	01-40300M-00089	Bar – Carriage.....	1
5	01-40330M-00029	Washer.....	1
6	01-400825-00015	Bearing.....	1
7	01-40300M-00091	Screw M6 x 20 (SST).....	1
8	01-40300M-00094	Rod – Feeding Carriage.....	1
9	01-40300M-00100	Spring.....	1
10	01-40300M-00101	Ring (For Spring).....	1
11	01-40300M-00103	Pin – Spring 3 x 20.....	1
12	01-40300M-00102	Pinion.....	1
13	01-40330M-00137	Screw M4 x 8 (SST).....	4
14	01-40300M-00106	Flange (Incls. Rivet).....	1
15	01-40330M-00081	Screw M5 x 10 (SST).....	2
16	01-40300M-00173	Knob Assy. – Graduated (Incls. Items 17, 23, & 24).....	1
17	01-40300M-00019	Bushing.....	2
18	01-40300M-00112	Nut M10 (SST).....	1
19	01-40300M-00174	Knob Assy. (Incls. Item 20).....	1
20	01-400825-00086	Grub Screw M5 x 6.....	1
21	01-40300M-00112	Nut M10 (SST).....	1
22	01-40300M-00111	Washer (SST).....	1
23	01-40300M-00110	Ball (1/4 In.).....	1
24	01-40300M-00109	Spring.....	1
25	01-40330M-00137	Screw M4 x 8 (SST).....	1
26	01-40330M-00029	Washer.....	2
27	01-40300M-00105	Screw M6 x 20.....	1
28	01-40300M-00104	Pawl.....	1
29	01-40330M-00167	Spring.....	1
30	01-40300M-00099	Lever.....	1
31	01-40330M-00578	Nut M6 (SST).....	1
32	01-40330M-00527	Pin.....	1
33	01-40300M-00033	Screw M6 x 18 (SST).....	1
34	01-40330M-00051	Washer (SST).....	1
35	01-40300M-00092	Plate.....	1
36	01-40300M-00117	Retainer.....	1
37	01-40330M-00527	Pin.....	1
38	01-40300M-00115	Tap – Plastic.....	1
39	01-40330M-00147	Screw M6 x 12 (SST).....	1
40	01-40300M-00114	Support – Feeder.....	1
41	01-40300M-00120	Nut M8 (SST).....	1
42	01-40300M-00121	Tube – Transparent.....	AR
43	01-40300M-00116	Feeder.....	1
44	01-40300M-00096	Endless Screw.....	1
45	01-40330M-00143	Washer (SST).....	1
46	01-40300M-00097	Washer – Spring.....	1
47	01-400827-00218	Bushing.....	2
48	01-40300M-00097	Washer – Spring.....	1
49	01-40300M-00098	Nut M8.....	2
50	01-40300M-00095	Bushing.....	1
51	01-40300M-00172	Carrier Assy. – Plate (Incls. Items 5, 6, 7, 33, 34, 35, 47, & 50).....	1
52	01-40330M-00218	Grub Screw M5 x 10.....	2



PL-59682

**SHARPENER**

**SHARPENER**

ILLUS. PL-59682	PART NO.	NAME OF PART	AMT.
1	01-40300M-00177	Knob Assy. ....	1
2	01-40300M-00140	Body – Sharpener.....	1
3	01-40300M-00141	Bushing.....	1
4	01-40300M-00150	Washer.....	1
5	01-40300M-00151	Screw M3 x 6.....	1
6	01-40300M-00148	Screw M2.5 x 4 (SST).....	1
7	01-40300M-00147	Button – Push.....	1
8	01-400823-00119	Ball.....	1
9	01-400825-00117	Spring.....	1
10	01-40300M-00144	Washer (SST).....	1
11	01-40300M-00141	Bushing.....	1
12	01-40300M-00098	Nut M8.....	1
13	01-40300M-00154	Shaft – Sharpener.....	1
14	01-40300M-00161	Washer (SST).....	1
15	01-40300M-00073	Screw M5 x 10 (SST).....	1
16	01-40300M-00179	Knob Assy. ....	1
17	01-40300M-00141	Bushing.....	1
18	01-40300M-00141	Bushing.....	1
19	01-400825-00109	Shaft – Sharpener.....	1
20	01-400825-00111	Stone.....	1
21	01-40300M-00144	Washer (SST).....	1
22	01-40330M-00578	Nut M6 (SST).....	1
23	01-400823-00119	Ball.....	1
24	01-40300M-00153	Button – Push.....	1
25	01-40300M-00148	Screw M2.5 x 4 (SST).....	1
26	01-40330M-00578	Nut M6 (SST).....	1
27	01-40300M-00144	Washer (SST).....	1
28	01-400825-00112	Stone.....	1
29	01-400825-00110	Shaft – Sharpener.....	1
30	01-400825-00117	Spring.....	1
31	01-40300M-00144	Washer (SST).....	1
	01-40300M-00178	Sharpener Assy. (Incls. Items 2 thru 13 & 17 thru 31).....	1

