



The Choice of Experience

CATALOG OF
REPLACEMENT PARTS

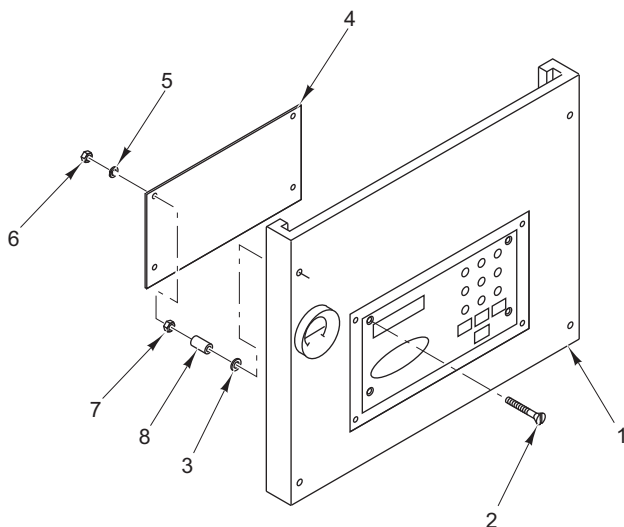


MODEL
350/350D VACUUM
PACKAGE MACHINES

EFFECTIVE DECEMBER 2009

Table of Contents

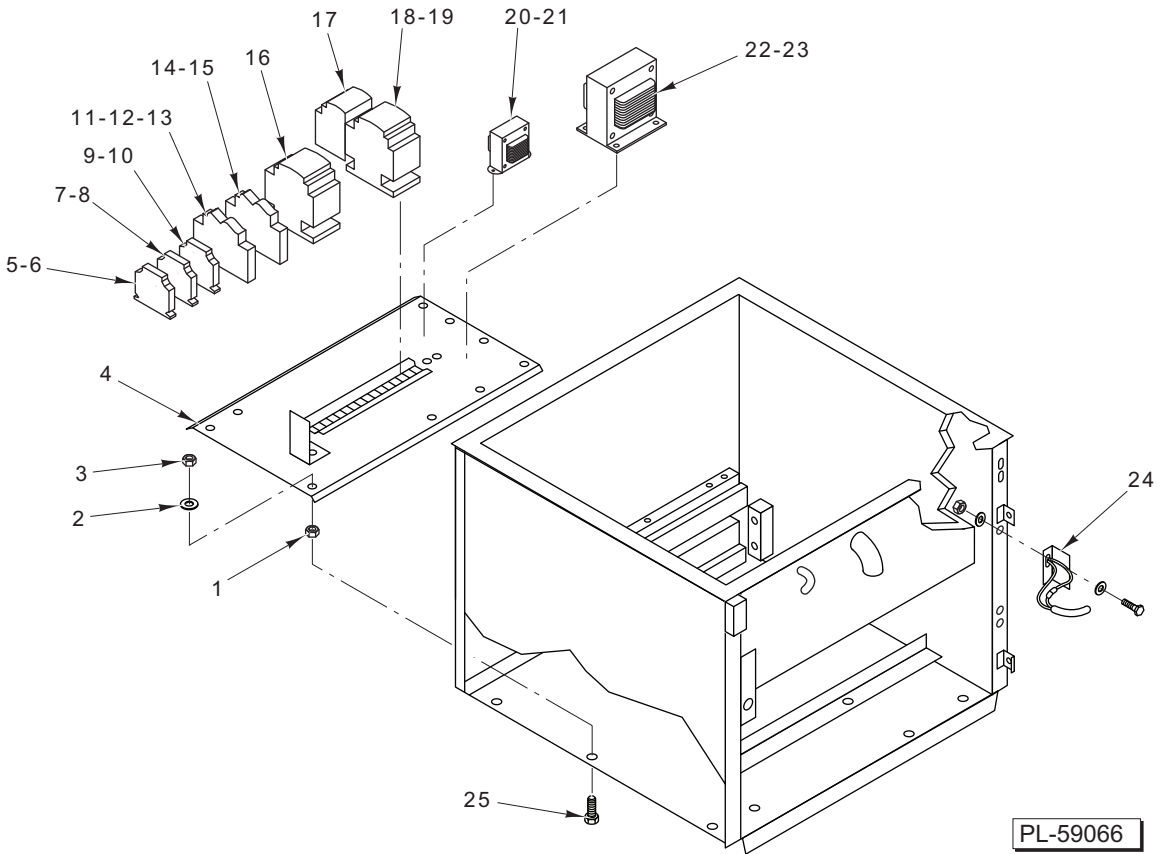
3	CONTROL PANEL
4	ELECTRICAL COMPONENTS
5	PUMP AND VALVE ASSEMBLY
7	COVER AND PANELS
9	SEAL BAR AND GUIDE ASSEMBLY
11	GAS INJECTION
12	STAND ASSEMBLY



PL-59065

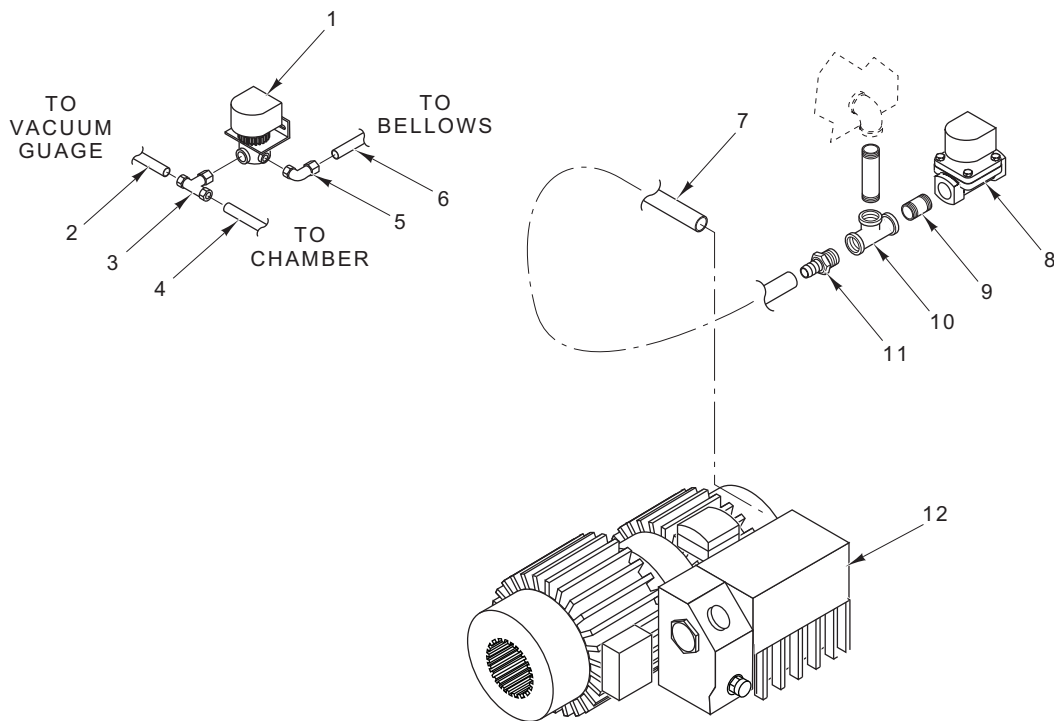
CONTROL PANEL

ILLUS.	PART NO.	NAME OF PART	AMT.
PL-59065			
1	01-400033-00018	Overlay Keyboard – Berkel.....	1
2	SC-111-87	Mach. Screw 4-40 x 1 Slotted Flat Hd. (SST).....	4
3	WS-023-22	Washer.....	4
4	01-400033-00385	PC Board.....	1
5	WL-008-45	Lockwasher (SST).....	4
6	NS-011-01	Nut 4-40 Hex (SST).....	8
7	SC-111-87	Mach. Screw 4-40 x 1 Slotted Flat Hd. (SST).....	4
8	01-400058-00120	Spacer.....	4



ELECTRICAL COMPONENTS

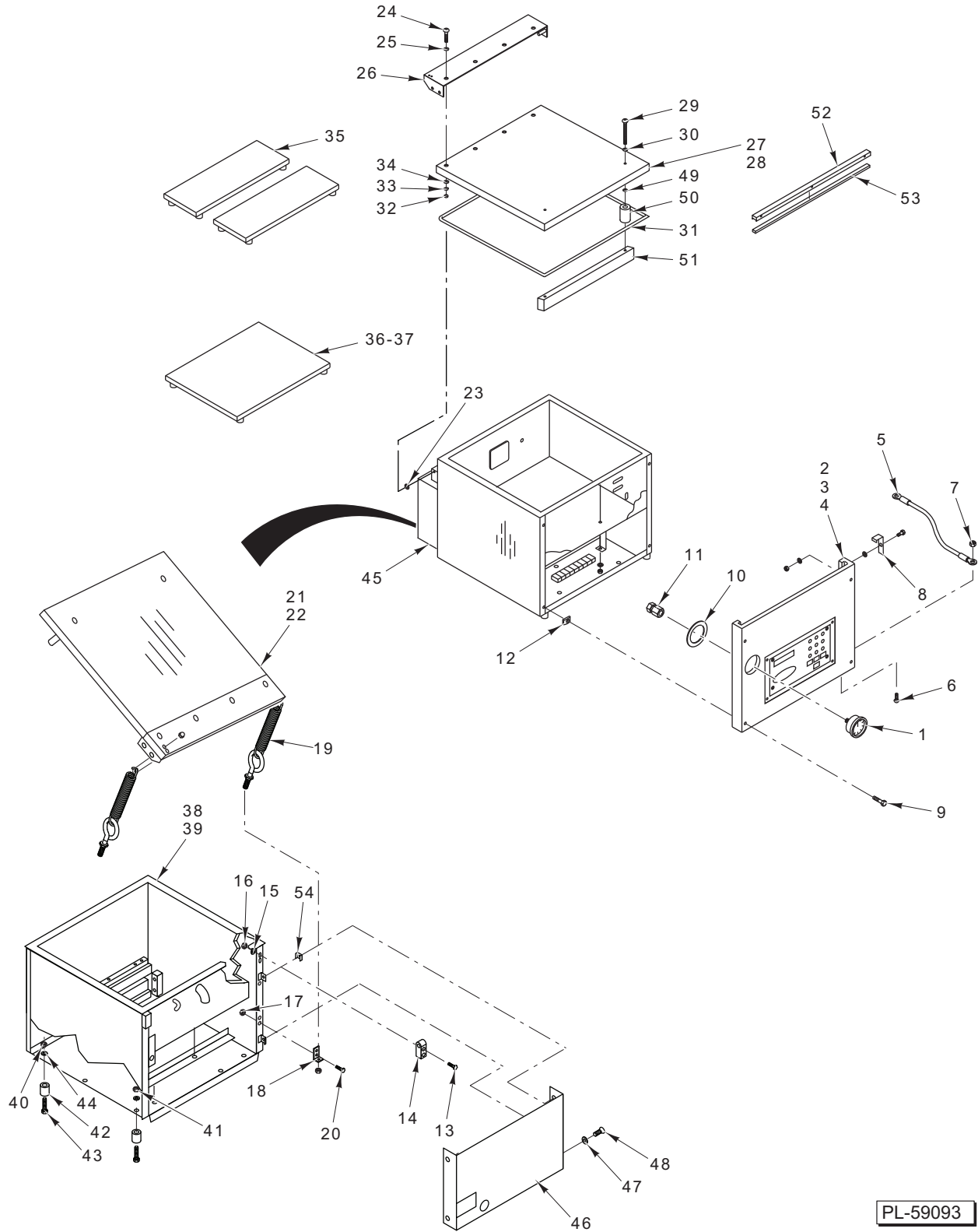
ILLUS.	PART NO.	NAME OF PART	AMT.
PL-59066			
1	NS-046-38	Nut 1/4-20 Hex (SST).....	4
2	WS-022-21	Washer (SST).....	4
3	NS-046-38	Nut 1/4-20 Hex (SST).....	4
4	01-400004-00042	Support – Electrical Pre-Assy.	1
5	01-400034-00740	Holder – Fuse.....	1
6	01-400034-00240	Fuse (250 V., 4 Amp.).....	1
7	01-400034-00740	Holder – Fuse.....	1
8	01-400034-00210	Fuse (250 V., 2 Amp.).....	1
9	01-400034-00740	Holder – Fuse.....	1
10	01-400034-00200	Fuse (250 V., 0.75 Amp.).....	1
11	01-400034-00755	Holder – Fuse (1-Pole) (600 V., 30 Amp.).....	1
12	01-400034-00450	Fuse (250 V., 7 Amp.).....	1
13	01-400034-00500	Fuse (250 V., 15 Amp.).....	1
14	01-400034-00755	Holder – Fuse (1-Pole) (600 V., 30 Amp.).....	1
15	01-400034-00530	Fuse (250 V., 20 Amp.).....	1
16	01-400025-00020	Contactors (Sealing).....	1
17	01-400025-00190	Overload (Pump Contactor).....	1
18	01-400025-00030	Contactors (110 V.) (Motor).....	1
19	01-400025-00020	Contactors (220 V.) (Motor).....	1
20	01-400029-00008	Transformer (65 VAC) (120 V. to 24 V.).....	1
21	01-400029-00009	Transformer (65 VAC) (208-230 V. to 24 V.).....	1
22	01-400029-00014	Transformer (250 VAC) (120 V. to 24 V.).....	1
23	01-400029-00040	Transformer (500 VAC) (208-240 V. to 24 V.).....	1
24	01-400004-00261	Limit Switch Assy.	1
25	SC-129-49	Mach. Screw 1/4-20 x 3/4 Hex Hd. (SST).....	4
	01-400026-00620	Switch – Limit.....	1



PL-59069

PUMP AND VALVE ASSEMBLY

ILLUS.	PART NO.	NAME OF PART	AMT.
PL-59069			
1	01-400106-00070	Valve – Bellows.....	1
2	01-400104-00060	Tube $\frac{3}{8}$ x $\frac{1}{4}$	1
3	-	Fitting – Tee	1
4	01-400104-00060	Tube $\frac{3}{8}$ x $\frac{1}{4}$	1
5	-	Fitting – Elbow	1
6	01-400104-00060	Tube $\frac{3}{8}$ x $\frac{1}{4}$	1
7	-	Tube	1
8	01-400106-00030	Valve – Atmosphere.....	1
9	-	Pipe.....	1
10	-	Pipe – Tee.....	1
11	-	Fitting – Barb	1
12	01-400125-01020	Pump (20m ³ , 115 V., 1 Ph., 60 Hz.)	1

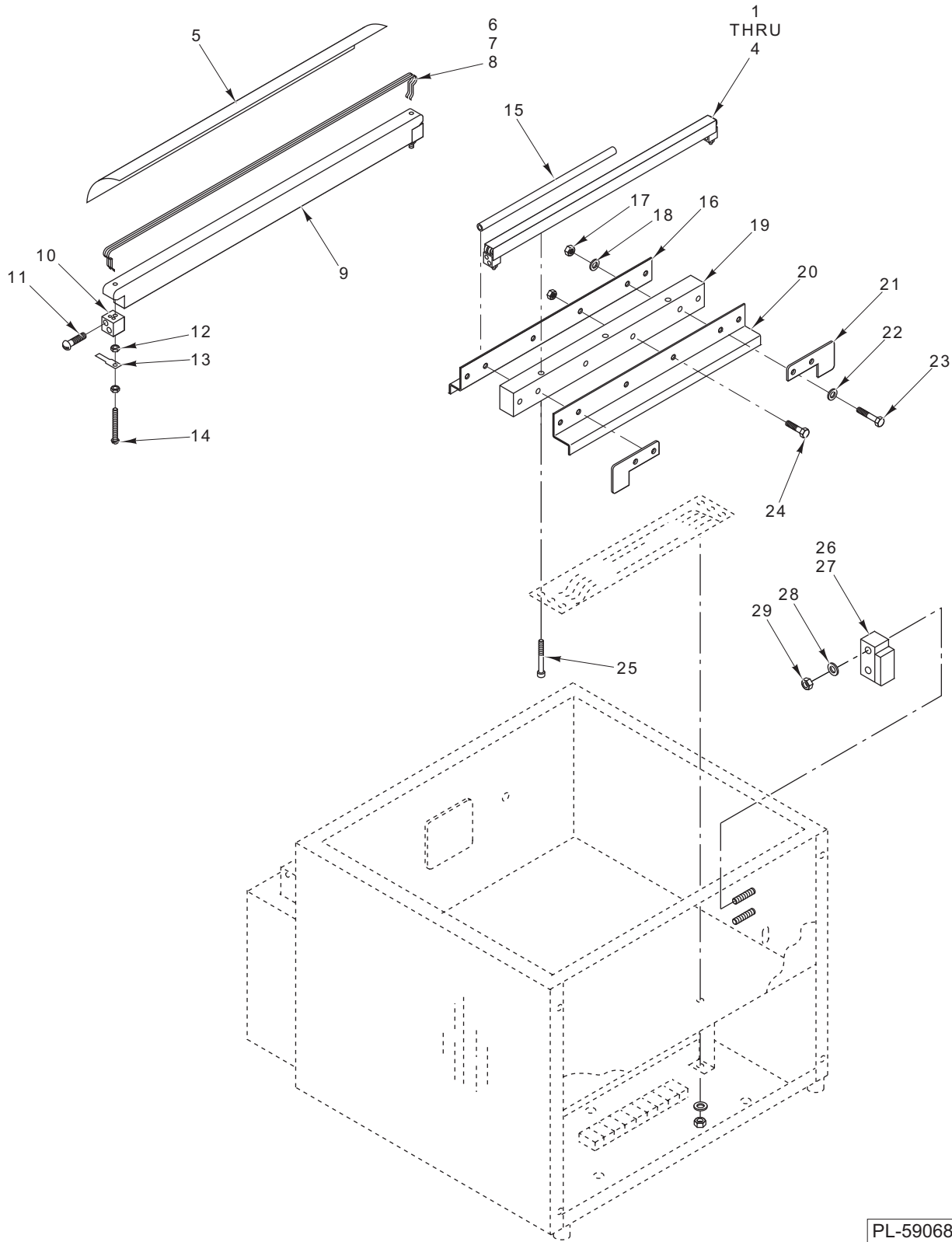


PL-59093

COVER AND PANELS

COVER AND PANELS

ILLUS. PL-59093	PART NO.	NAME OF PART	AMT.
1	01-400114-00260	Gauge – Vacuum With Support	1
2	01-400005-00609	Panel Assy. – Angled	1
3	01-40005B-00832	Panel Assy. – Flat	1
4	01-400001-03123	Panel – Front Flat	1
5	-	Wire – Ground	1
6	SC-018-22	Mach. Screw 10-24 x 1/2 Phil. Pan Hd. (SST)	1
7	NS-011-18	Nut 10-24 Hex (SST)	1
8	01-400004-01651	Cover – Hold Down Pre-Assy.	1
9	SC-128-34	Mach. Screw 1/4-20 x 2 Phil. Pan Hd. (SST)	4
10	01-400001-01869	Ring – Vacuum Gauge Fixation	1
11	01-400101-00160	Elbow 90 Deg. 1/4 x 1/4	1
12	01-129389	Spring Nut 1/4	4
13	SC-125-07	Mach. Screw 1/4-20 x 1/4 Cap Socket Hd. (SST)	4
14	01-400002-00024	Hinge – Block	2
15	WS-022-21	Washer	2
16	NS-046-38	Nut 1/4-20 Hex (SST)	2
17	NS-046-38	Nut 1/4-20 Hex (SST)	2
18	01-400001-01337	Support – Rear Spring	2
19	01-400004-A1224	Spring Assy.	2
20	SC-129-49	Mach. Screw 1/4-20 x 1/2 Hex Hd. (SST)	2
21	01-400005-00266	Cover – Assy. (350)	1
22	01-400005-00481	Cover – Assy. (350D)	1
23	01-400058-00030	Spacer	2
24	SC-039-07	Mach. Screw 1/4-20 x 1 1/2 Phil. Pan Hd. (SST)	4
25	WL-006-17	Lockwasher 1/4 Hex	4
26	01-400004-00021	Cover – Hinge Assy.	1
27	01-400002-00025	Cover (350)	1
28	01-400002-00392	Cover (350D)	1
29	SC-081-26	Mach. Screw 1/4-20 x 3 1/2 Phil. Pan Hd. (SST)	2
30	WL-006-17	Lockwasher 1/4 Hex	4
31	00-032059	Gasket – Cover	1
32	NS-046-38	Nut 1/4-20 Hex (SST)	4
33	WL-006-17	Lockwasher 1/4 (SST)	4
34	WS-022-21	Washer (SST)	4
35	01-400005-00364	Plate Assy. – Half Filler (350)	2
36	01-400005-00278	Plate Assy. – Filler (350)	1
37	01-400005-00365	Plate Assy. – Filler (350D)	2
38	01-400004-00229	Vacuum 350 Pre-Assy. (350)	1
39	01-400004-00230	Vacuum 350 Pre-Assy. (350D)	1
40	NS-046-38	Nut 1/4-20 Hex	4
41	NS-018-01	Lock Nut 1/4-20 Hex	4
42	01-400002-00022	Foot – Plastic	4
43	SC-041-07	Mach. Screw 1/4-20 x 1 1/2 Hex Hd. (SST)	4
44	WS-022-21	Washer	4
45	01-400004-00446	Panel – Rear Pre-Assy. (350)	1
46	01-400004-00361	Panel – Rear Pre-Assy. (350D)	1
47	WS-022-21	Washer	4
48	SC-115-60	Mach. Screw 1/4-20 x 1/2 Phil. Pan Hd.	4
49	01-400076-00010	O-Ring	4
50	01-400002-00026	Spacer – Upper Seal Bar	4
51	01-400004-00173	Seal Bar Assy. – Upper (Incls. Items 52 & 53)	2
52	01-400002-00377	Support – Upper Seal Bar	1
53	01-400179-00006	Seal Bar – Upper Seal	1
54	00-129389	Spring Nut 1/4	4
	01-400005-00426	Machine Assy. – Rear View	1

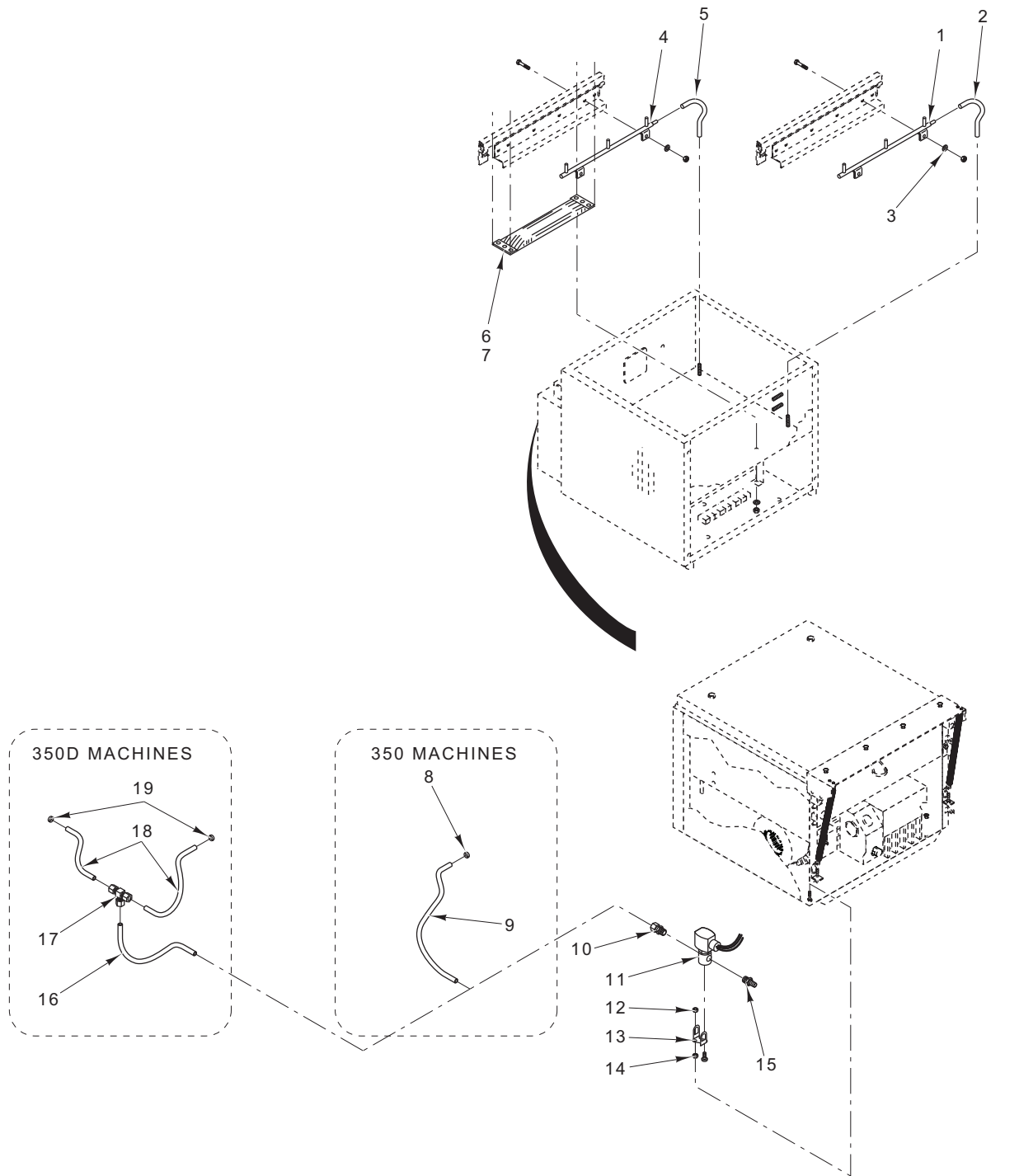


PL-59068

SEAL BAR AND GUIDE ASSEMBLY

SEAL BAR AND GUIDE ASSEMBLY

ILLUS. PL-59068	PART NO.	NAME OF PART	AMT.
1	01-400005-00046	Seal Bar Assy. (Incls. Items 3, 5, 6, & 9 thru 25).....	1
2	01-400005-00558	Support – Seal Bar Assy. (With Bag Cutting Option) (Incls. Items 4 & 15 thru 25).....	1
3	01-400005-00267	Seal Bar Pre-Assy. (Incls. Items 5, 6, & 9 thru 14).....	1
4	01-400005-00382	Seal Bar Pre-Assy. (With Bag Cutting Option) (Incls. Items 5 & 7 thru 14).....	1
5	01-400003-0021R	Tape – Teflon (19 In.).....	AR
6	01-400039-00200	Element – Sealing Standard Twin.....	2
7	01-400039-00230	Band – Reflex (19 In.) (With Bag Cutting Option).....	AR
8	01-400039-00270	Element – T Profile (19 In.) (With Bag Cutting Option).....	AR
9	01-400002-00015	Bar – Seal.....	1
10	01-400002-00031	Connector.....	2
11	SC-041-07	Mach. Screw 8-32 x 1 1/2 Slotted Rd. Hd. (Brass).....	4
12	NS-011-12	Nut 8-32 Hex.....	4
13	01-400027-00400	Adapter – Connector.....	2
14	SC-041-07	Mach. Screw 8-32 x 1 1/2 Slotted Rd. Hd. (Brass).....	2
15	01-400038-00230	Duct.....	1
16	01-400001-01952	Cover – Exterior Bellows.....	1
17	NS-018-01	Lock Nut 1/4-20 (SST).....	4
18	SC-022-21	Washer.....	4
19	01-400002-00509	Support – Seal Bar.....	1
20	01-400001-01953	Cover – Interior Bellows.....	1
21	01-400001-00269	Guide – Seal Bar.....	2
22	SC-022-21	Washer.....	4
23	SC-041-04	Mach. Screw 1/4-20 x 1 3/4 Hex Hd. (SST).....	4
24	SC-041-07	Mach. Screw 1/4-20 x 1 1/2 Hex Hd.....	AR
25	NS-040-97	Cap Screw 1/4-20 x 1 3/4 Hex Socket Hd. (SST).....	3
26	01-400002-00029	Block – Left Seal Bar Guide.....	4
27	01-400002-00030	Block – Right Seal Bar Guide.....	4
28	SC-022-21	Washer.....	AR
29	NS-018-01	Lock Nut 1/4-20 (SST).....	AR

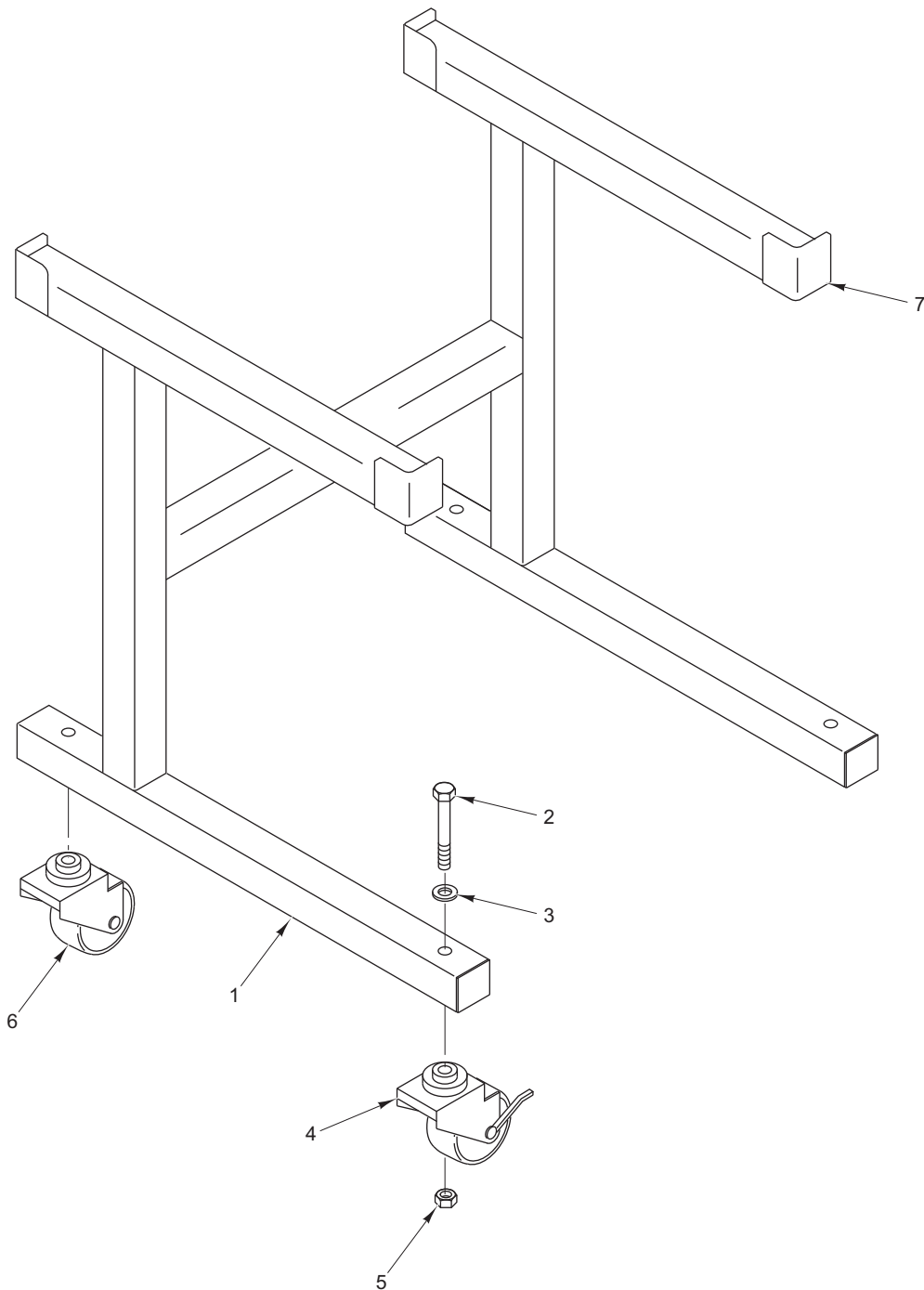


PL-59070

GAS INJECTION

GAS INJECTION

ILLUS.	PART NO.	NAME OF PART	AMT.
PL-59070			
1	01-400005-B0042	Bar – Front Gas Injection.....	1
2	01-400008-00464	Tube – Gas Injection Connection.....	1
3	WS-022-21	Washer (SST).....	AR
4	01-400005-A0807	Bar Assy. – Rear Gas Injection.....	1
5	01-400008-00464	Tube – Gas Injection Connection.....	1
6	01-400005-00045	Bellows Assy.	1
7	01-400106-00070	Valve – Bellows.....	1
8	01-400105-00200	Collar.....	1
9	01-400104-00060	Tube.....	1
10	01-400101-00036	Fitting.....	1
11	01-400106-00010	Valve – Solenoid.....	1
12	NS-046-38	Nut 1/4-20 Hex.....	1
13	01-400106-00345	Support – Valve.....	1
14	NS-046-38	Nut 1/4-20 Hex.....	1
15	01-400101-00200	Fitting 1/4 x 1/4.....	1
16	01-400104-00060	Tube.....	1
17	01-400101-00062	Tee.....	1
18	01-400104-00060	Tube.....	2
19	01-400105-00200	Collar.....	2



PL-59071

STAND ASSEMBLY

ILLUS.	PART NO.	NAME OF PART	AMT.
PL-59071			
1	01-400005-01031	Stand Assy. (Incls. Items 2 thru 7)	1
2	SC-127-40	Mach. Screw $\frac{3}{8}$ -16 x 2 $\frac{1}{4}$ Hex Hd. (SST)	4
3	WL-006-28	Washer (SST)	4
4	01-400130-00195	Caster – Swivel With Brake	2
5	NS-009-43	Nut $\frac{3}{8}$ -16 Hex (SST)	4
6	01-400130-00190	Caster – Swivel Without Brake	2
7	01-400169-00200	Sleeve – Silicone	4