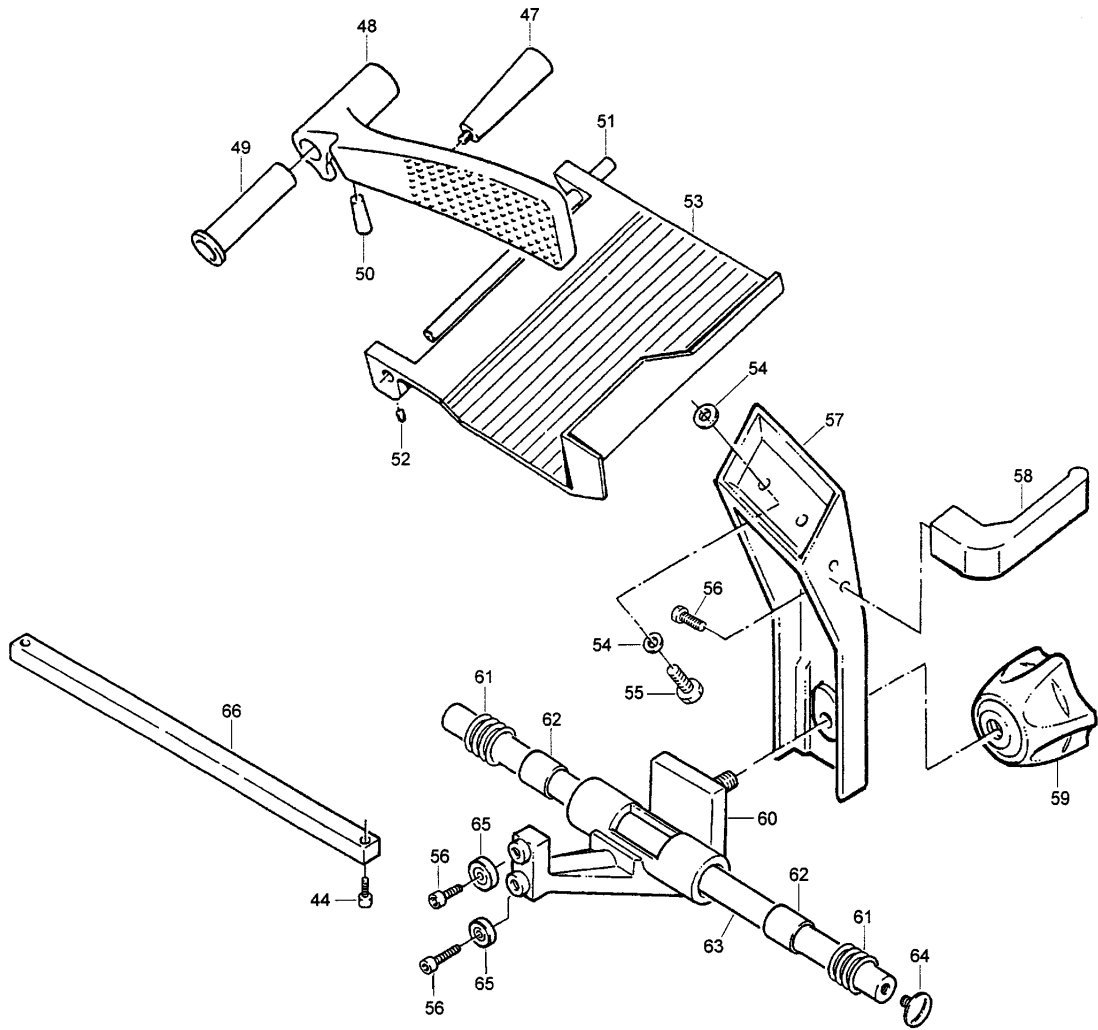


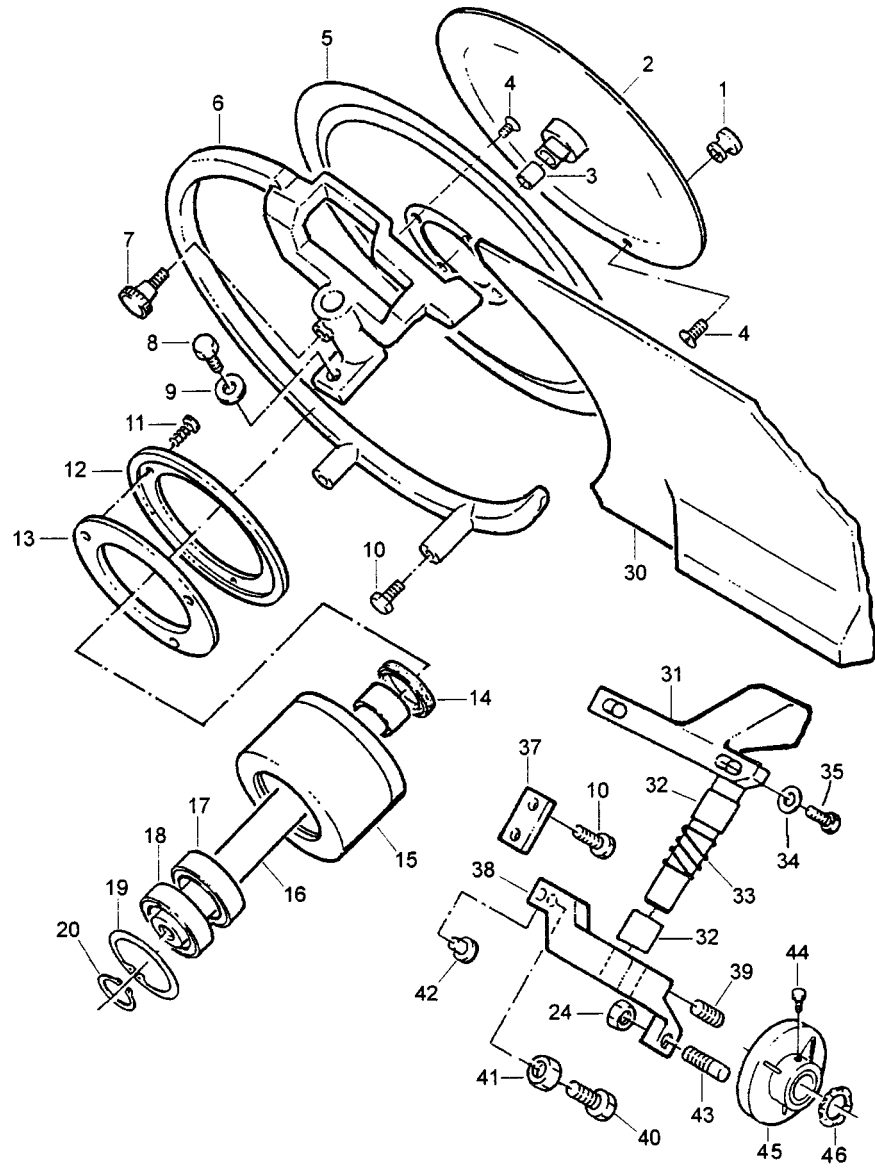
MEAT TABLE AND CARRIAGE ASSEMBLY



MEAT TABLE AND CARRIAGE ASSEMBLY

ITEM	DESCRIPTION	825A	827E
44	Screw	825-00021	825-00021
47	Handle, Pusher	825-00080-A	825-00080-A
48	Pusher, Complete	825-00009	825-00009
49	Bushing	825-00079	825-00079
50	Wearing Pad	827-00082	827-00082
51	Shaft	825-00084	825-00084
52	Grub Screw	825-00086	825-00086
53	Product Table	825-00008	827E-00008
54	Washer	825-00006	825-00006
55	Screw	825-00087	825-00087
56	Screw	825-00089	825-00089
57	Product Table Support	825A-00007	825A-00007
58	Handle, Carriage	827-00037-A	827-00037-A
59	Knob, Carriage	823-00040-A	823-00040-A
60	Carriage Assembly Complete	825-00012	825-00012
61	Spring	825-00020	825-00020
62	Bushing	823-00218	823-00218
63	Round Rail	825-00013	825-00013
64	Screw	825-00050	825-00050
65	Bearing	825-00015	825-00015
66	Square Rail	825A-00014	825A-00014

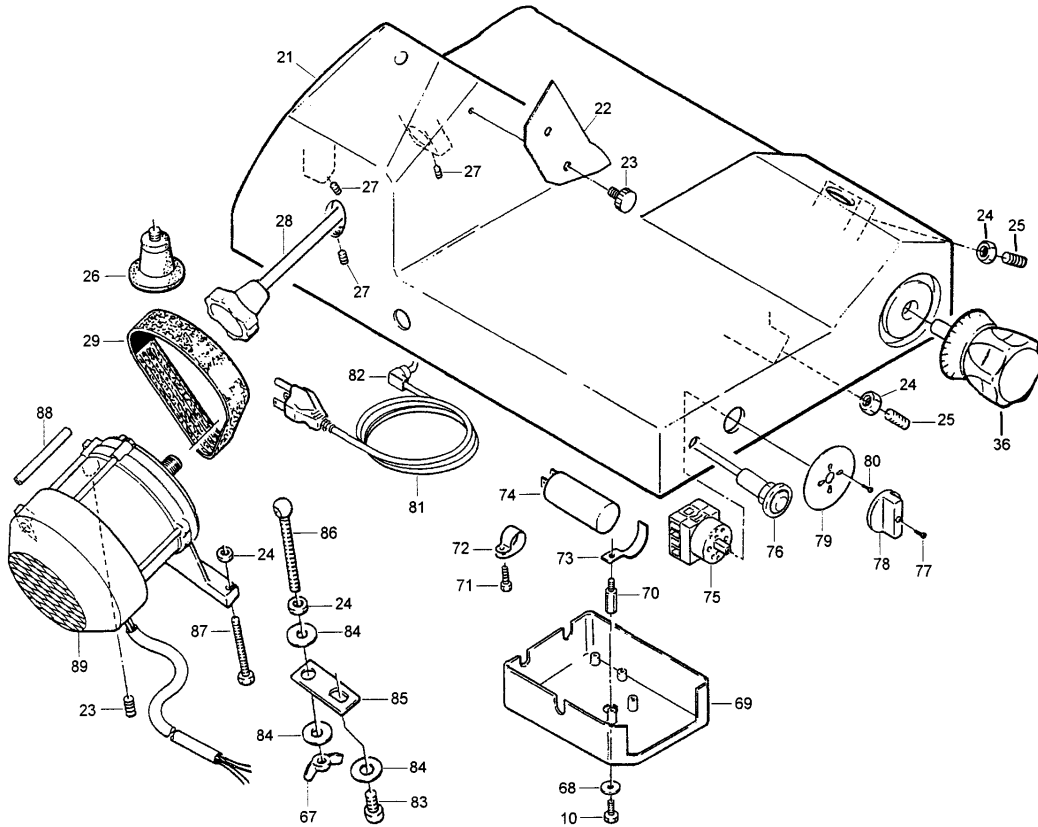
GAUGE PLATE AND KNIFE ASSEMBLY



Gauge Plate and Knife Assembly

ITEM	DESCRIPTION	825A	827E
1	Aluminum Knob	823-00403	823-00403
2	Center Plate	825-00401	827-00401
3	Insert, Center Plate	825-00135	825-00135
4	Screw, Knife	825-00074	827-00074
5	Knife	825-00073	827E-00073
6	Ring Guard	825-00408	827E-00408
7	Knob	827-00103-A	827-00103-A
8	Screw	825-00101	825-00101
9	Washer	823-00123	823-00123
10	Screw	825-00021	825-00021
11	Screw	825-00402	825-00402
12	Seal, Hard	825-00403	825-00403
13	Seal, Soft	825-00404	825-00404
14	Rubber Ring	Part of #15	Part of #15
15	Pulley Assembly	825-00067-1	827E-00067
16	Pulley Shaft	Part of #15	Part of #15
17	Bearing	Part of #15	Part of #15
18	Bearing	Part of #15	Part of #15
19	Circlip	Part of #15	Part of #15
20	Circlip	Part of #15	Part of #15
24	Nut	2101-07041	2101-07041
30	Gauge Plate	825A-00003	827E-00003
31	Gauge Plate Support	825A-00004	825A-00004
32	Bushing	825-00140	825-00140
33	Spring	825A-00024	825A-00024
34	Washer	3301-03812	3301-03812
35	Screw	825-00005	825-00005
37	Plate	825A-00026	825A-00026
38	Support	825A-00022	825A-00022
39	Grub Screw	825-00031	825-00031
40	Screw, Brass	Part of #38	Part of #38
41	Nut	Part of #38	Part of #38
42	Nylon Pin	825-00030	825-00030
43	Cam Pin	825-00027	825-00027
44	Screw	825-00021	825-00021
45	Index Cam	825A-00025	825A-00025
46	Washer	825-00095	825-00095

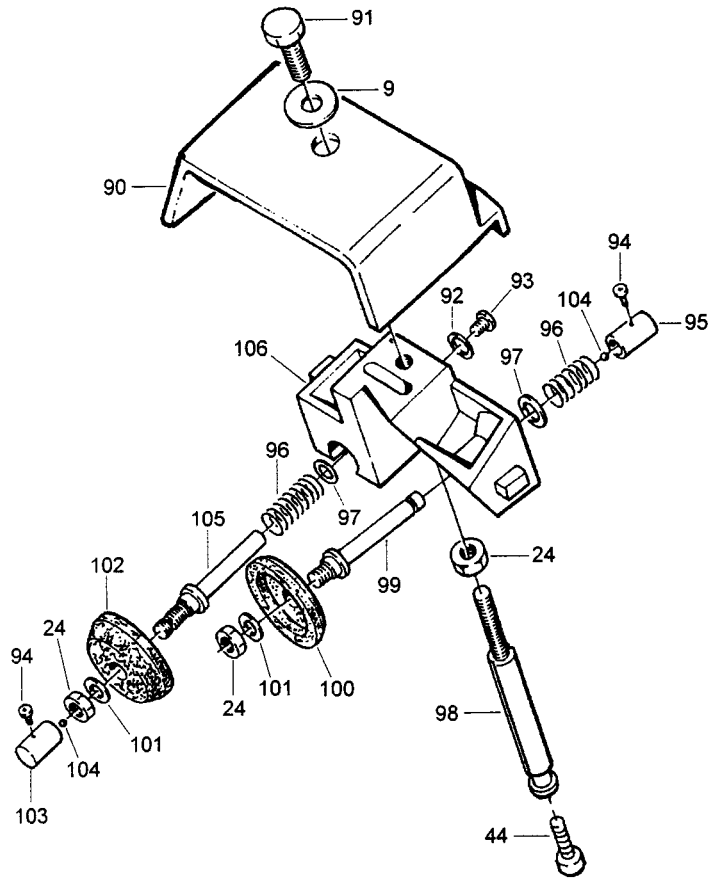
HOUSING AND ELECTRICAL



HOUSING AND ELECTRICAL

ITEM	DESCRIPTION	825A	827E
10	Screw	825-00021	825-00021
21	Housing	N/A	N/A
22	Slice Deflector	825-00011	827E-00011
23	Knob, Slice Deflector	825-00091	825-00091
24	Nut	2101-07046	2101-07046
25	Grub Screw	825A-00086	825A-00086
26	Rubber Foot	825A-00093	825A-00093
	After serial number 13000 for 825A and 15451 for 827E	827E-00093	827E-00093
27	Grub Screw	823-00061	823-00061
28	Tie Rod, Center Plate	825-00075-A	825-00075-A
29	Ribbed Belt	825-00066-B	825-00066-B
36	Index Knob	825-00035-A	825-00035-A
67	Wing Nut	825-00056	825-00056
68	Washer	825-00006	825-00006
69	Cover	825-00405	825-00405
70	Spacer	825-00407	825-00407
71	Screw	825-00032	825-00032
72	Cord Clamp	3675-00224	3675-00224
73	Plate, Capacitor	825-00043	825-00043
74	Capacitor	827-00042	827-00042
75	Switch, Complete	827A-00039-02	827A-00039-02
76	Pilot Light	825-00041	825-00041
77	Screw	827A-00400	827A-00400
78	Knob, Switch	827A-00036-02	827A-00036-02
79	Plate, Switch	827A-00039-B02	827A-00039-B02
80	Screw	827A-00401	827A-00401
81	Power Cord	4175-00031	4175-00031
82	Cord Clamp	827-00127	827-00127
83	Screw	823-00058	823-00058
84	Washer	823-00400	823-00400
85	Plate, Motor	825-00055	825-00055
86	Tie Rod, Motor	825-00053	825-00053
87	Screw	825A-00065	825A-00065
88	Pin	825-00060	825-00060
89	Motor	825-00048-R	825-00048-R

SHARPENER ASSEMBLY



SHARPENER ASSEMBLY

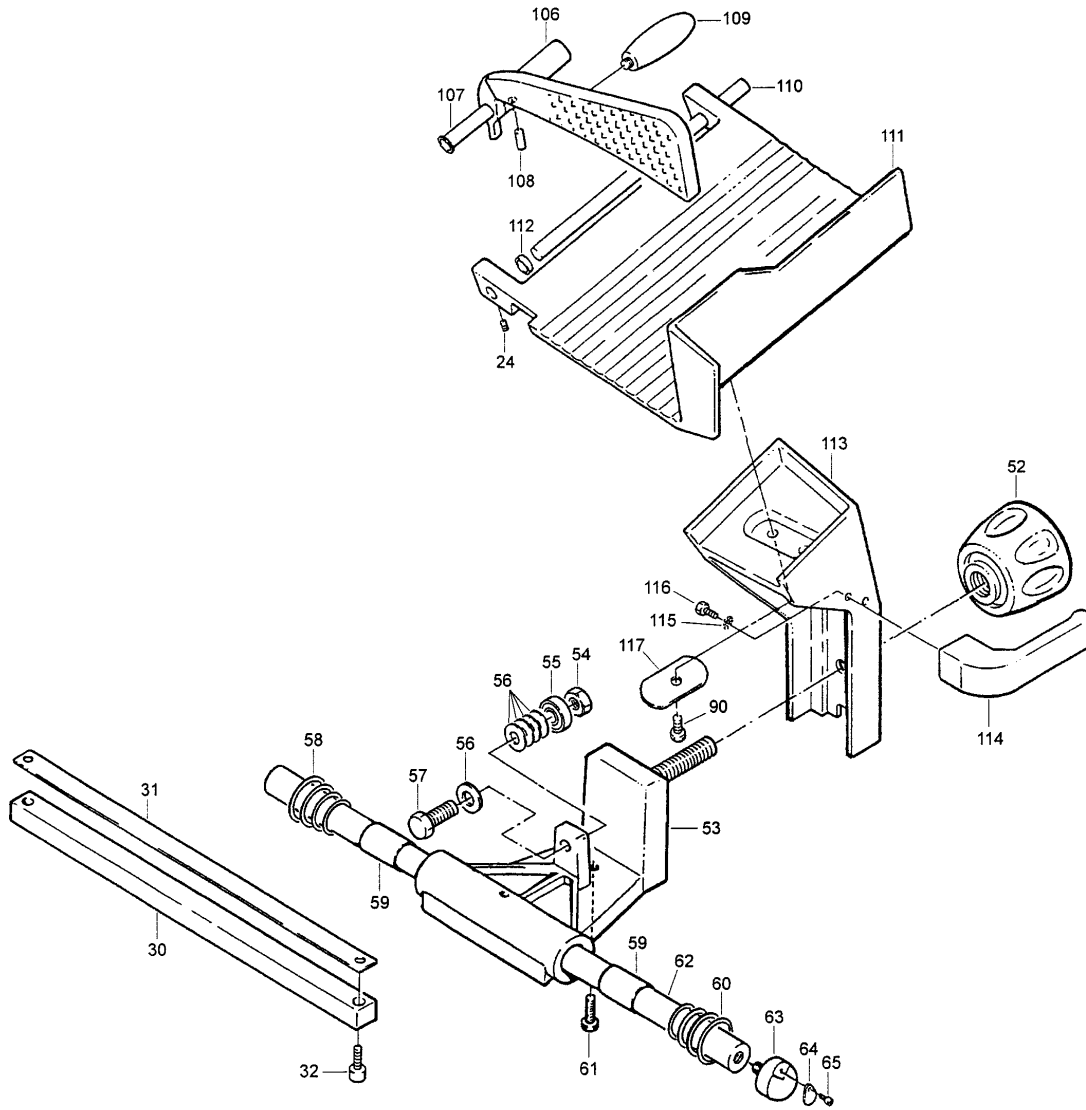
ITEM	DESCRIPTION	825A	827E
9	Washer	823-00123	823-00123
24	Nut	2101-07041	2101-07041
44	Screw	825-00021	825-00021
90	Cover, Sharpener (past serial #16200)	825A-00010 823-00400	823-00400
91	Screw	825-00122	825-00122
92	Washer	823-00114	823-00114
93	Screw	S-00781	S-00781
94	Screw	825-00118	825-00118
95	Push Button	823-00401	823-00401
96	Spring	825-00117	825-00117
97	Washer	3301-03812	3301-03812
98	Shaft, Sharpener	825-00104	827A-00104
99	Shaft	825-00109	825-00109
100	Stone	825-00111	825-00111
101	Washer	3301-03812	3301-03812
102	Stone	825-00112	825-00112
103	Push Button	825-00115	825-00115
104	Ball, 1/8	2375-00150	2375-00150
105	Shaft	825-00110	825-00110
106	Sharpener Frame	825-00108	825-00108
N/S	Sharpener Assembly w/Cover	825A-00130	827E-00130
N/S	Berkel Flag	I2602RED	I2602RED
N/S	Screw for Berkel Flag	V6371	V6371

827A

Exploded Views

Beginning with Date Code 0102
(Located on the serial plate)

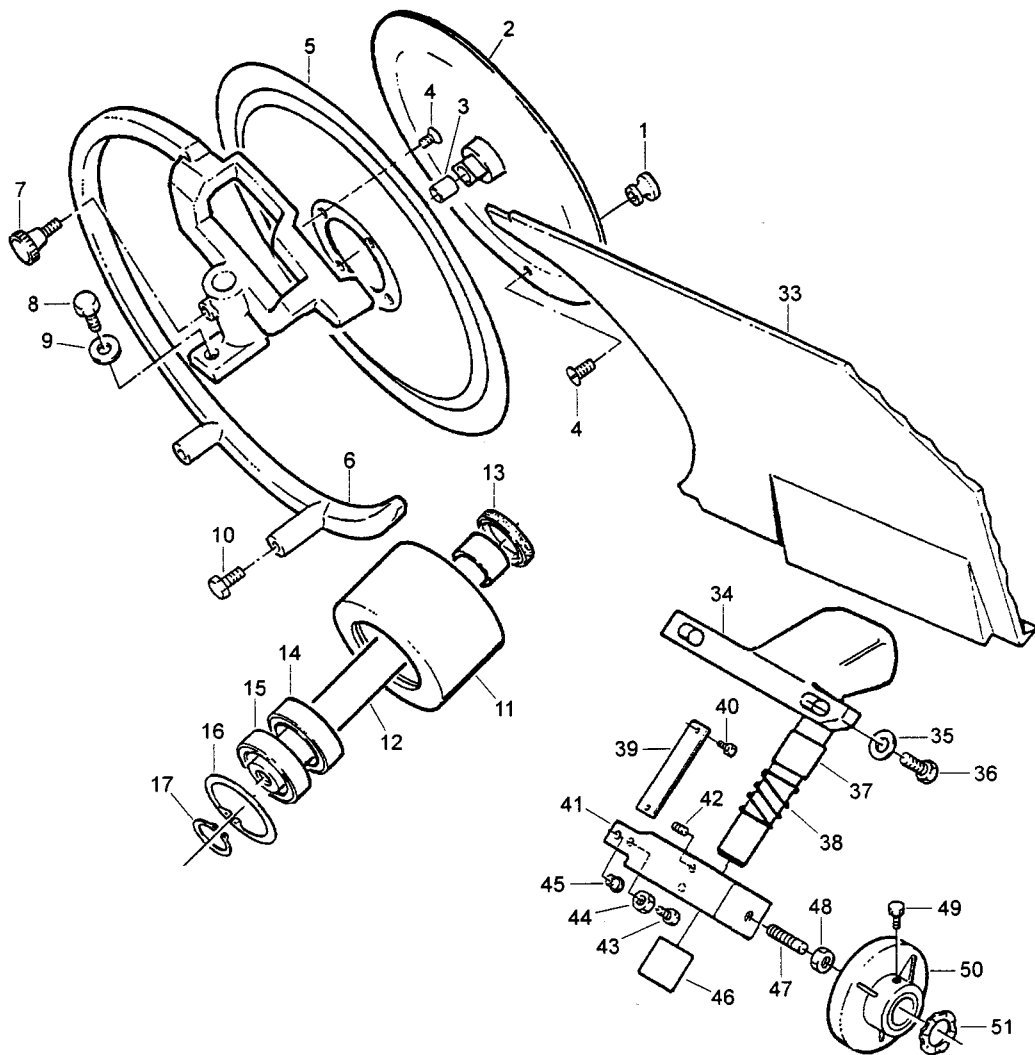
MEAT TABLE AND CARRIAGE ASSEMBLY



Meat Table and Carriage Assembly

ITEM	DESCRIPTION	PART NUMBER
24	Grub Screw	827-00086
30	Square Rail	827A-00014
31	Plate	827-00092
32	Screw	827-00021
52	Knob, Carriage	827A-00040
53	Carriage Assembly Complete	827-00012
54	Nut	CU-00008
55	Bearing	827-00015
56	Spacer	827-00016
57	Screw	827-00017
58	Spring, Long	827-00020
59	Bushing	827-00218
60	Spring, Short	827-00020
61	Nylon Screw	827-00129
62	Round Rail	827-00013
63	Oil Screw	827-00099
64	Oil Plate	827-00097
65	Rivet	827-00096
90	Screw	825-00122
106	Pusher, Complete	827A-00009
107	Bushing	827-00079-N
108	Wearing Pad	827-00082
109	Handle, Pusher	827-00080
110	Shaft	827-00084
111	Product Table	827-00008-N
112	Nylon Spacer	827-00400
113	Product Table Support	827A-00007
114	Handle, Carriage	827A-00037-A
115	Washer	2101-08515
116	Screw	825-00089
117	Plate	827-00131

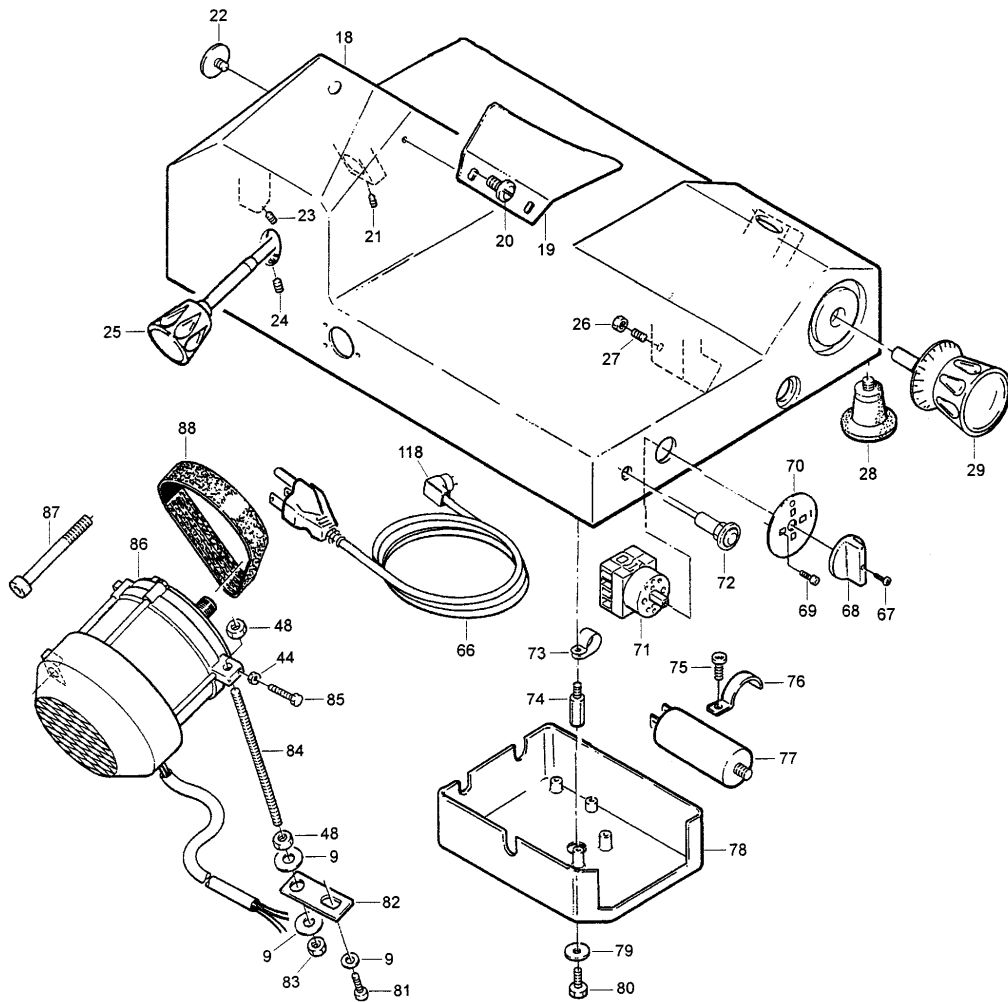
KNIFE AND GAUGE PLATE ASSEMBLY



Knife and Gauge Plate Assembly

ITEM	DESCRIPTION	PART NUMBER
1	Aluminum Knob	823-00403
2	Center Plate	827-00402
3	Insert, Center Plate	827-00135
4	Screw, Knife	827-00074
5	Knife	827-00073
6	Ring Guard	827E-00408
7	Knob	827-00103-A
8	Screw	825-00101
9	Washer	823-00123
10	Screw	825-00087
11	Pulley Assembly	827A-00067-1
12	Pulley Shaft	Part of #11
13	Rubber Ring	827-00209
14	Bearing	2375-00103
15	Bearing	2375-00103
16	Circlip	825-00071
17	Circlip	825-00072
33	Gauge Plate	827A-00003-1
34	Gauge Plate Support	827A-00004
35	Washer	3301-03812
36	Screw	825-00005
37	Bushing	827-00219
38	Spring	827A-00024
39	Plate	827-00026
40	Screw	827-00032
41	Support, Complete	827A-00022
42	Grub Screw	827-00031
43	Screw, Brass	827-00028
44	Nut	2101-07046
45	Nylon Pin	825-00030
46	Bushing	827-00219
47	Cam Pin	827-00027
48	Nut	2101-07046
49	Screw	825-00021
50	Index Cam	827-00025
51	Washer	825-00095

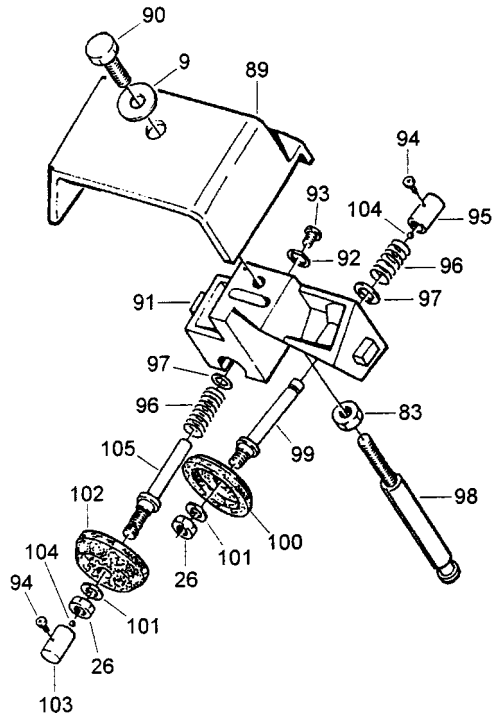
HOUSING AND ELECTRICAL



HOUSING AND ELECTRICAL

ITEM	DESCRIPTION	PART NUMBER
9	Washer	823-00123
18	Housing	N/A
19	Slice Deflector	827-00011
20	Knob, Slice Deflector	827A-00091
21	Grub Screw	827-00078
22	Screw	827-00050
23	Grub Screw	823-00061
24	Grub Screw	827-00086
25	Tie Rod, Center Plate	827A-00075-A
26	Nut	827-00146
27	Grub Screw	827-00086
28	Rubber Foot	827-00093
29	Index Knob	827-00035-A
44	Nut	827-00029
48	Nut	827-00033
66	Power Cord	4175-00031
67	Screw	827A-00400
68	Knob, Switch	827A-00036-2
69	Screw	827A-00401
70	Plate, Switch	827A-00039-B02
71	Switch, Complete	827A-00039-2
72	Pilot Light	825-00041
73	Cord Clamp	3675-00224
74	Spacer	825-00407
75	Screw	825-00032
76	Plate, Capacitor	825-00043
77	Capacitor	827-00042
78	Cover	825-00405
79	Washer	825-00006
80	Screw	825-00021
81	Screw	827-00058
82	Plate, Motor	825-00055
83	Nut	2101-07046
84	Tie Rod, Motor	827A-00053
85	Screw	2101-01079
86	Motor	827A-00048
87	Screw	827A-00060
88	Ribbed Belt	827-00066-B
118	Cord Clamp	827-00127

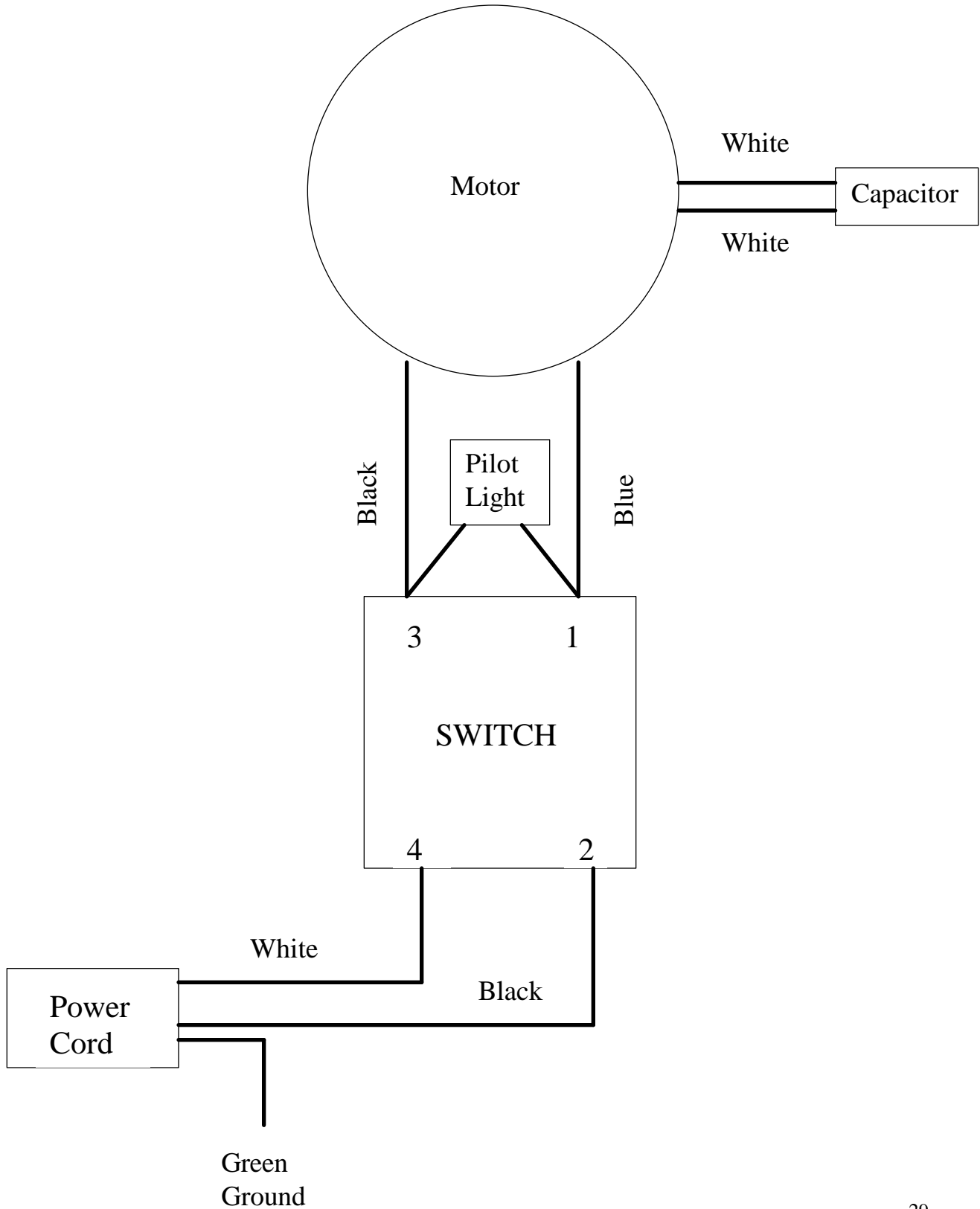
SHARPENER ASSEMBLY



Sharpener Assembly

ITEM	DESCRIPTION	PART NUMBER
9	Washer	823-00123
26	Nut	2101-07008
83	Nut	2101-07041
89	Cover, Sharpener	825A-00010
90	Screw	825-00122
91	Sharpener Frame	825-00108
92	Washer	823-00114
93	Screw	S-00781
94	Screw	825-00118
95	Push Button	823-00401
96	Spring	825-00117
97	Washer	3301-03812
98	Shaft, Sharpener	827A-00104
99	Shaft	825-00109
100	Stone	825-00111
101	Washer	3301-03812
102	Stone	825-00112
103	Push Button	825-00115
104	Ball, 1/8	2375-00150
105	Shaft	825-00110
N/S	Berkel Flag	I2062RED
N/S	Screw for Berkel Flag	V6371
N/S	Sharpener Assembly w/Cover	827A-00130

Rotary Switch Wiring



Wiring diagram for 827 and 825 slicers with center plate interlock. This is the new style box that replaces the switch/relay assembly, part number [827-00039](#).

