



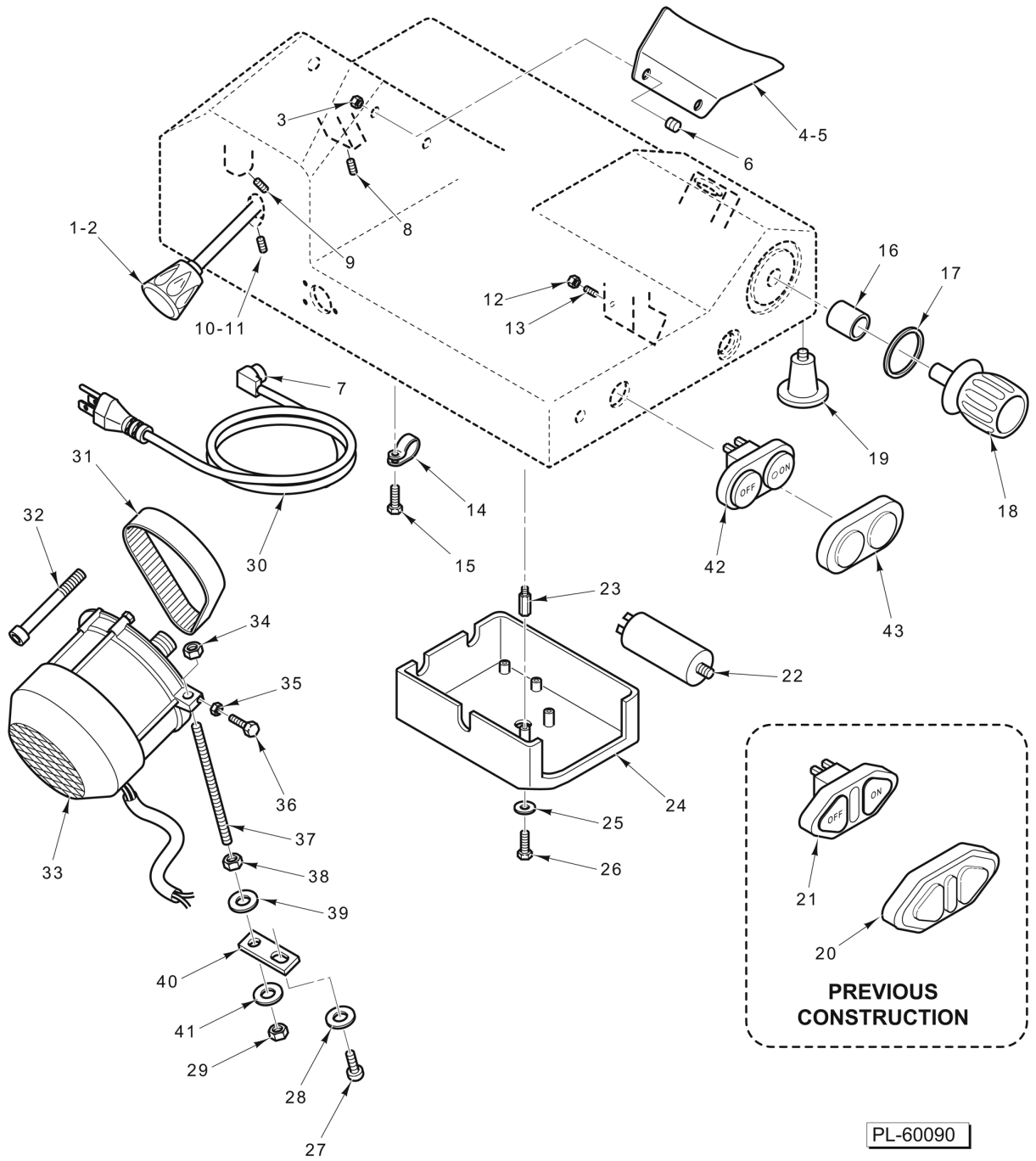
CATALOG OF REPLACEMENT PARTS

MODEL 827A-PLUS & 829E-PLUS SLICERS



Table of Contents

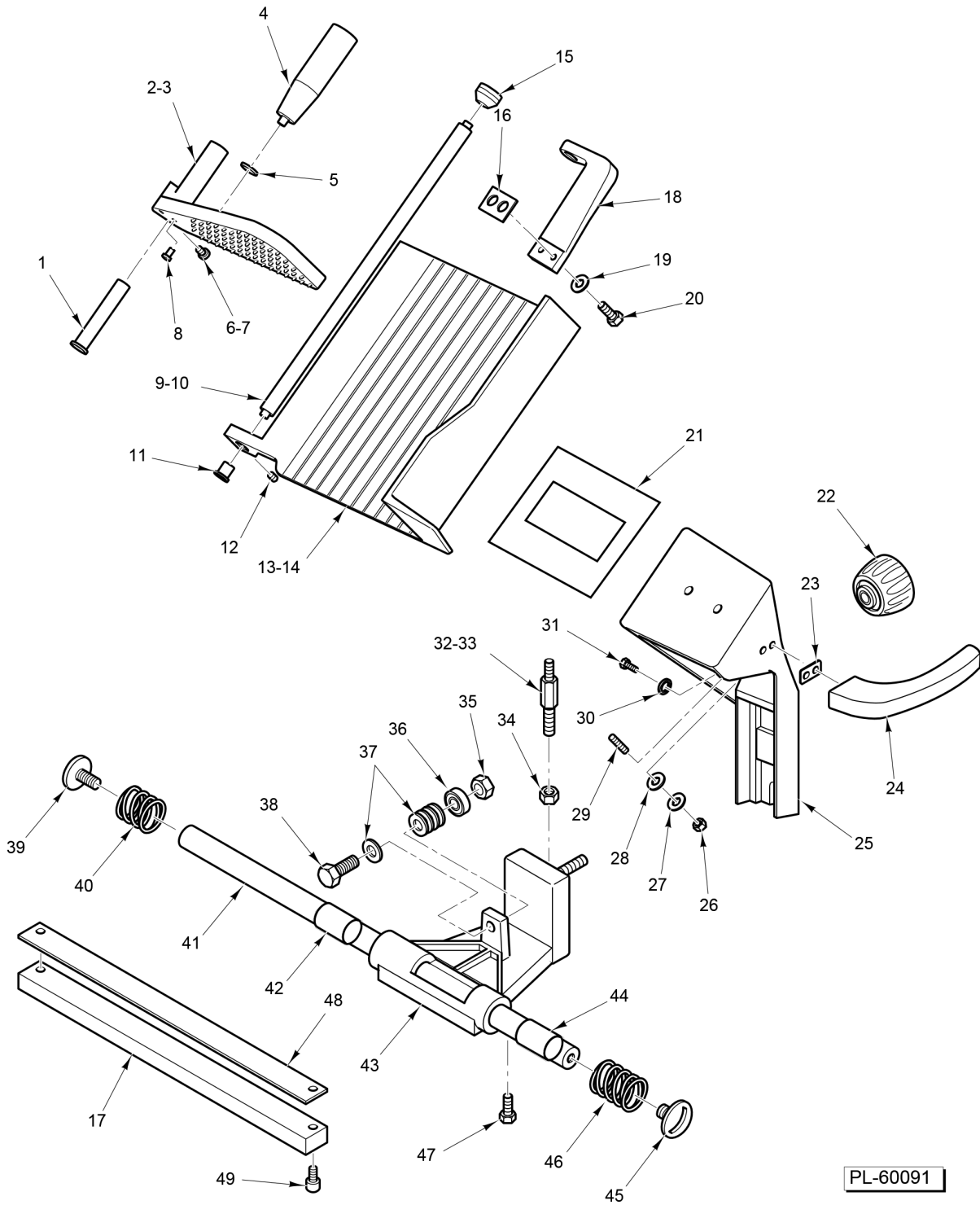
5	ELECTRICAL AND HOUSING
7	MEAT TABLE AND CARRIAGE
9	INDEX ASSEMBLY
11	KNIFE ASSEMBLY
13	SHARPENER ASSEMBLY



ELECTRICAL AND HOUSING

ELECTRICAL AND HOUSING

ILLUS.	PART NO.	NAME OF PART	AMT.
1	01-40827A-0075A	Rod - Center Plate (With Knob) (827A-PLUS).....	1
2	01-40829E-00075	Rod - Center Plate (With Knob) (829E-PLUS).....	1
3	01-402101-07049	Nut.....	2
4	01-40827A-10000	Deflector - Slicer (827A-PLUS).....	1
5	01-40829E-10000	Deflector - Slicer (829E-PLUS).....	1
6	01-40823E-10002	Pin (Used With Deflector).....	1
7	FE-021-21	Strain Relief.....	1
8	01-400827-00078	Set Screw.....	1
9	01-400823-00061	Set Screw (Motor Mount).....	1
10	01-400827-00078	Set Screw (827A-PLUS).....	1
11	01-400827-00086	Set Screw (829E-PLUS).....	1
12	01-402101-07049	Nut.....	2
13	01-400827-00086	Set Screw.....	2
14	01-403675-00224	Clamp - Cord.....	1
15	01-400825-00032	Screw.....	1
16	00-915491	Bushing.....	1
17	01-40829A-10023	Washer.....	1
18	01-40827A-10019	Knob (Red).....	1
19	01-400827-00093	Foot - Rubber.....	4
20		Cover - Switch (Part no longer available, order Item 42).....	1
21		Switch (Part no longer available, order Item 42).....	1
22	01-400827-00042	Capacitor.....	1
23	01-400825-00407	Spacer.....	1
24	01-400825-00405	Cover - Switch Box.....	1
25	01-400825-00006	Washer.....	1
26	01-400825-00021	Screw.....	1
27	01-400827-00058	Screw.....	1
28	01-402275-03071	Washer.....	1
29	01-402101-07046	Nut.....	1
30	01-404175-00031	Cord - Power.....	1
31	01-400827-0066B	Belt - Ribbed (Flat).....	1
32	01-40827A-00060	Screw.....	1
33	01-40827A-0048N	Motor (1/2 Hp.).....	1
34	01-402101-07046	Nut.....	1
35	01-402101-07041	Nut.....	1
36	01-402101-01079	Screw.....	1
37	01-40827A-00053	Rod - Tie.....	1
38	01-402101-07046	Nut.....	1
39	01-402275-03071	Washer.....	1
40	01-400825-00055	Plate.....	1
41	01-402275-03071	Washer.....	1
42	01-40823E-10102	Switch (On/Off) (Incls. Item 43).....	1
43	00-915504	Cover - Switch.....	1

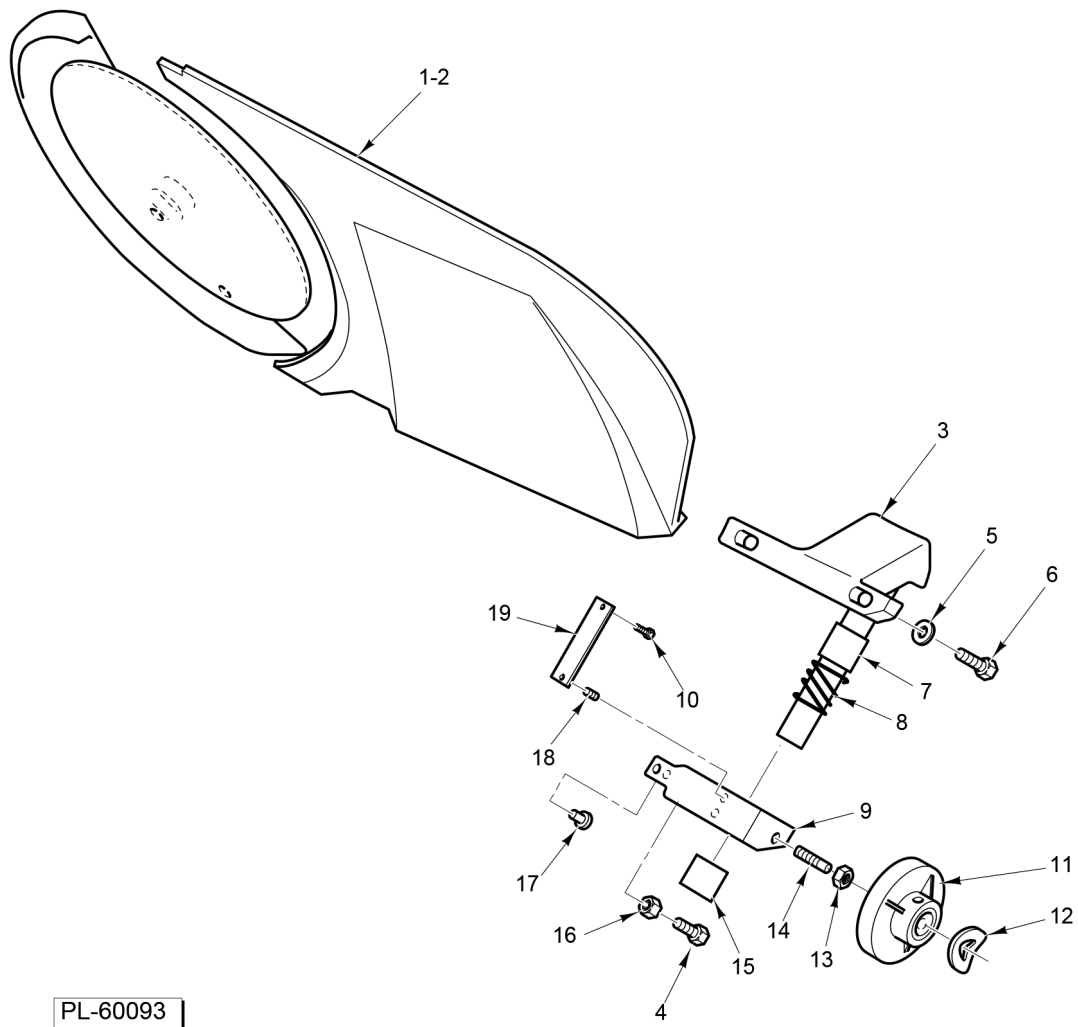


PL-60091

MEAT TABLE AND CARRIAGE

MEAT TABLE AND CARRIAGE

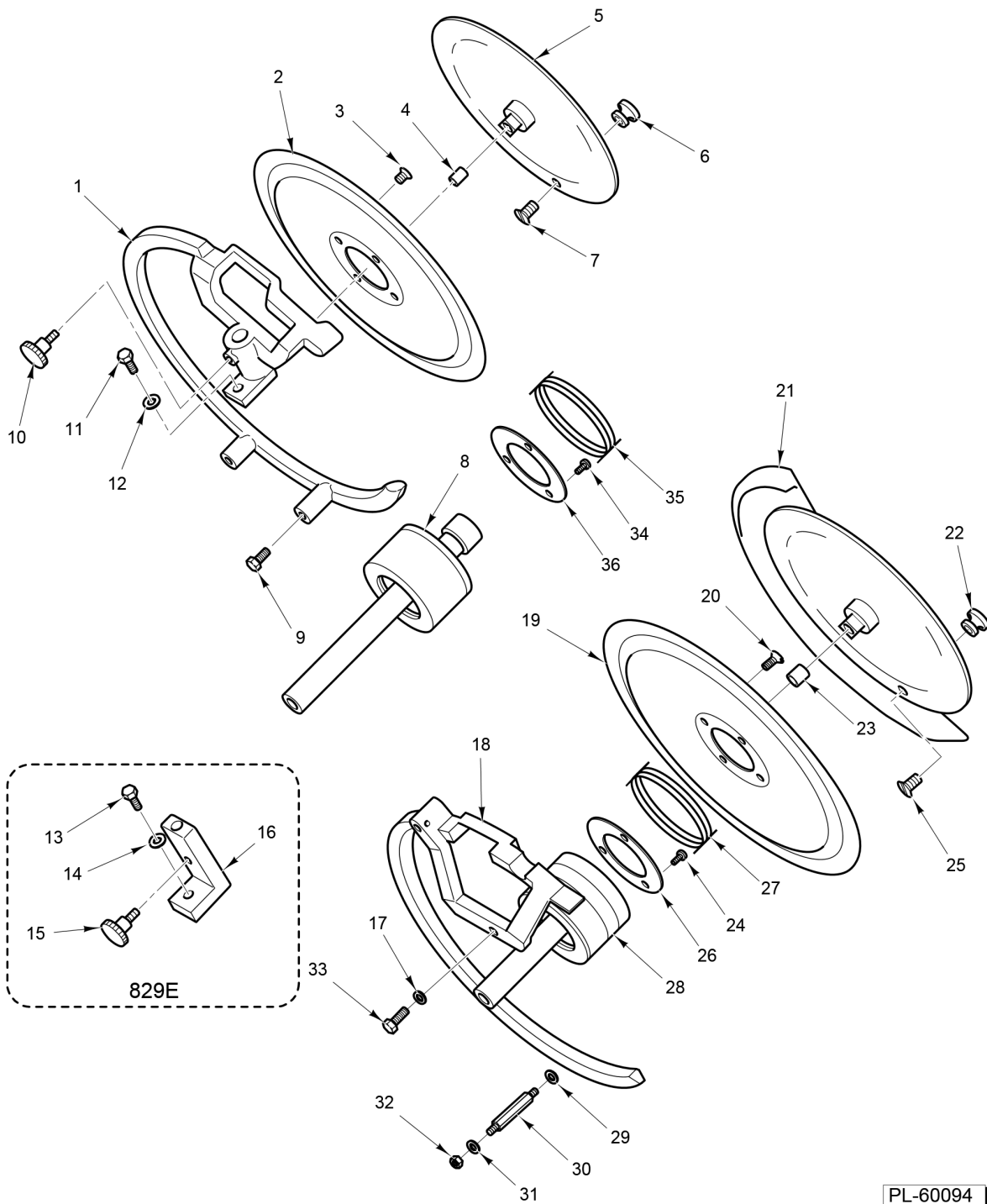
ILLUS.	PART NO.	NAME OF PART	AMT.
1	01-400827-0079N	Bushing (2-5/8 In. Lg.).....	1
2	01-400827-0009N	Pusher Assy. (With Pyramids) (827A-PLUS).....	1
3	01-40829E-10005	Pusher Assy. (829E-PLUS).....	1
4	01-40827A-10003	Handle - Pusher.....	1
5	01-40827A-10002	Gasket - Pusher Handle.....	1
6	01-400827-00082	Pad - Wearing (827A-PLUS).....	1
7	01-40829E-00082	Pad - Wearing (829E-PLUS).....	1
8	01-40827A-10005	Set Screw.....	1
9	01-40827A-10006	Rod (827A-PLUS).....	1
10	01-40829E-10003	Rod (829E-PLUS).....	1
11	01-40827A-10004	Bushing.....	1
12	01-400827-00086	Set Screw.....	1
13	01-40827A-10008	Table - Product (827A-PLUS).....	1
14	01-40829E-10007	Table - Product (829E-PLUS).....	1
15	01-40823E-10007	Knob (Red).....	1
16	01-40823E-10009	Gasket - Extension.....	1
17	01-40827A-00014	Rail - Square.....	1
18	01-403875-00289	Bracket - Extension (Red).....	1
19	01-40330M-00090	Washer.....	2
20	01-40823E-10019	Screw.....	2
21	01-40827A-10009	Gasket - Tray Support.....	1
22	01-40827A-10014	Knob - Carriage (Red).....	1
23	01-40823E-10016	Gasket - Carriage Handle.....	1
24	01-40823E-10017	Handle - Carriage (Red).....	1
25	01-40827A-10010	Support.....	1
26	01-40829E-10008	Nut.....	2
27	01-40827A-10011	Washer (Aluminum).....	2
28	01-40823E-10014	Washer - Gasket.....	2
29	01-40825A-10004	Screw.....	2
30	01-402101-08515	Washer.....	2
31	01-400825-00089	Screw.....	2
32	01-40825A-10005	Spacer (827A-PLUS).....	1
33	01-40829E-10004	Spacer (829E-PLUS).....	1
34	01-40300M-00098	Nut.....	1
35	01-4000CU-00008	Nut.....	1
36	01-400827-00015	Bearing.....	1
37	01-402101-08010	Washer.....	5
38	01-400827-00017	Screw.....	1
39	01-400827-00050	Screw - Round Rail.....	1
40	01-40827A-10012	Spring.....	1
41	00-915470	Bar - Round.....	1
42	01-400827-00218	Bushing.....	1
43	01-40827A-10013	Carriage.....	1
44	01-400827-00218	Bushing.....	1
45	01-400827-00050	Screw - Round Rail.....	1
46	01-400827-00020	Spring.....	1
47	01-400827-00129	Screw (Nylon).....	1
48	01-400827-00092	Plate - Lexan.....	1
49	01-400827-00021	Screw.....	2
	01-40827A-10015	Carriage Assy.....	1



INDEX ASSEMBLY

INDEX ASSEMBLY

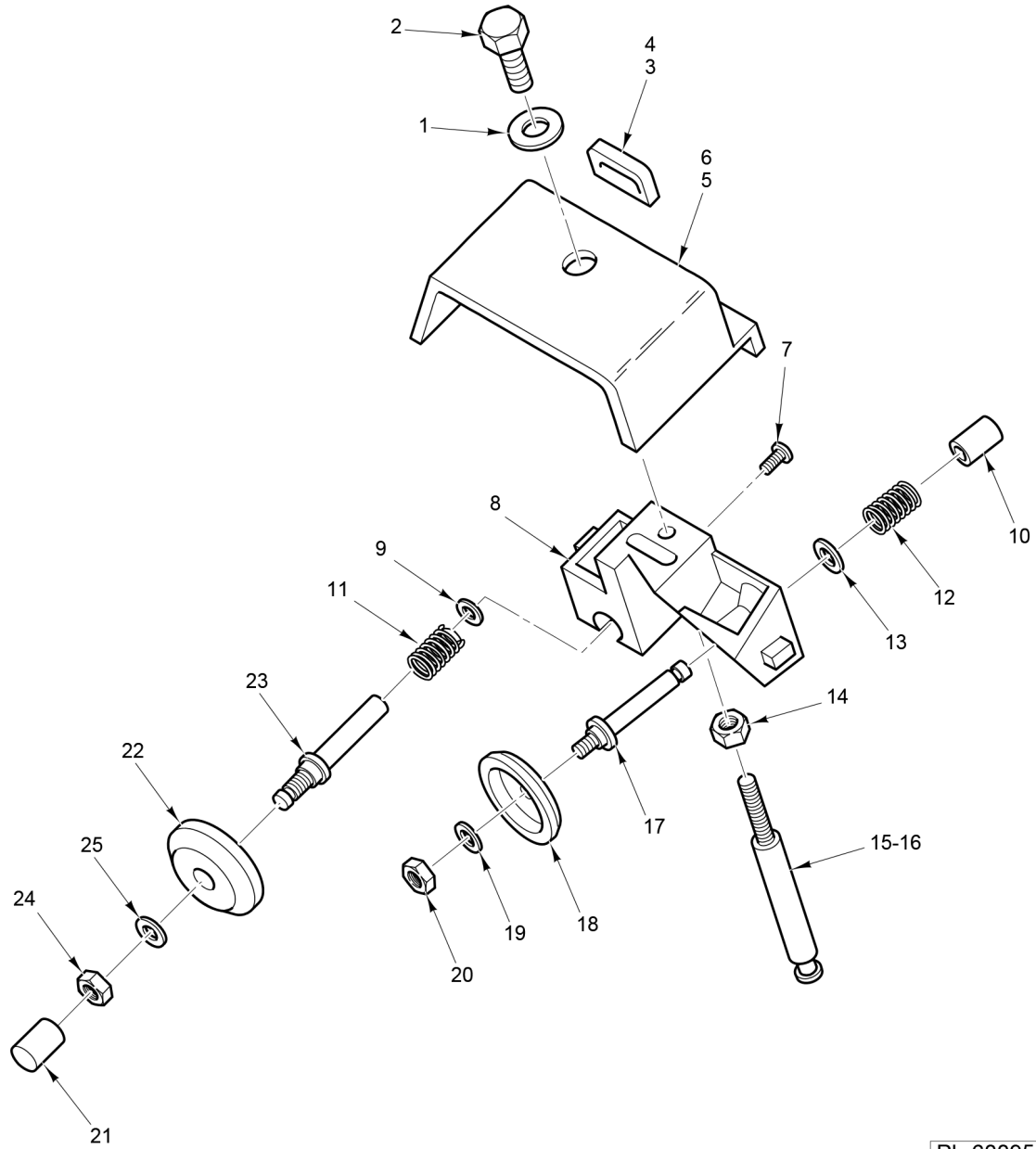
ILLUS.	PART NO.	NAME OF PART	AMT.
PL-60093			
1	01-40827A-10016	Plate - Gauge (827A-PLUS).....	1
2	01-40829E-10006	Plate - Gauge (829E-PLUS).....	1
3	01-40827A-00004	Support - Gauge Plate.....	1
4	01-400827-00028	Screw (Brass).....	1
5	01-403301-03812	Washer.....	2
6	01-400827-00005	Screw.....	2
7	01-400827-00219	Bushing.....	1
8	01-40827A-00024	Spring.....	1
9	01-40827A-00022	Support (Incls. Brass Screw).....	1
10	01-400827-00032	Screw.....	2
11	01-400827-00025	Cam.....	1
12	01-400827-00095	Washer - Spring.....	1
13	01-400827-00033	Nut.....	1
14	01-400827-00027	Pin - Cam.....	1
15	01-400827-00219	Bushing.....	1
16	01-402101-07041	Nut.....	1
17	01-400825-00030	Pin.....	1
18	01-400827-00031	Set Screw.....	2
19	01-400827-00026	Plate.....	1



KNIFE ASSEMBLY

KNIFE ASSEMBLY

ILLUS.	PART NO.	NAME OF PART	AMT.
1	01-40827E-00408	Guard - Ring (827A-PLUS).....	1
2	01-400827-00073	Knife (827A-PLUS).....	1
3	01-400827-00074	Screw - Knife (827A-PLUS).....	4
4	01-400827-00135	Insert - Center Plate (827A-PLUS).....	1
5	01-400827-00402	Plate - Center (827A-PLUS).....	1
6	01-400823-00403	Knob - Knife Cover (Aluminum) (827A-PLUS).....	1
7	01-400827-00074	Screw - Knife (827A-PLUS).....	1
8	01-40827A-067-1	Knife Pulley Assy. (1 Ribbon Belt) (827A-PLUS).....	1
9	01-400825-00087	Screw (827A-PLUS).....	2
10	01-400827-0103A	Knob (827A-PLUS).....	1
11	01-400825-00101	Screw (827A-PLUS).....	1
12	01-400823-00123	Washer (827A-PLUS).....	1
13	01-402101-03101	Screw (829E-PLUS).....	1
14	01-400823-00123	Washer (829E-PLUS).....	1
15	01-400827-0103A	Knob (829E-PLUS).....	1
16	01-40829E-00100	Support (829E-PLUS).....	1
17	01-40827A-00262	Washer (829E-PLUS).....	1
18	01-40829E-00408	Guard - Ring (829E-PLUS).....	1
19	01-400829-00073	Knife (829E-PLUS).....	1
20	01-400827-00074	Screw - Knife (829E-PLUS).....	4
21	01-40829E-00002	Plate - Center (829E-PLUS).....	1
22	01-400823-00403	Knob - Knife Cover (Aluminum) (829E-PLUS).....	1
23	01-400827-00135	Insert - Center Plate (829E-PLUS).....	1
24	01-40829E-00402	Screw (829E-PLUS).....	3
25	01-400827-00074	Screw - Knife (829E-PLUS).....	1
26	01-40829E-00403	Ring (829E-PLUS).....	1
27	01-40829E-00404	Seal - Rubber (829E-PLUS).....	1
28	01-40829E-00067	Knife Bearing Assy. (829E-PLUS).....	1
29	01-40827A-00262	Washer (829E-PLUS).....	2
30	01-40829E-00613	Spacer - Knife Guard (829E-PLUS).....	2
31	01-40827A-00262	Washer (829E-PLUS).....	2
32	01-402101-07068	Nut (829E-PLUS).....	2
33	01-400827-00032	Screw (829E-PLUS).....	1
34	01-40829E-00402	Screw (827A-PLUS).....	3
35	01-40829E-00404	Seal - Rubber (827A-PLUS).....	1
36	01-40829E-00403	Ring (827A-PLUS).....	1



PL-60095

SHARPENER ASSEMBLY

SHARPENER ASSEMBLY

ILLUS. PL-60095	PART NO.	NAME OF PART	AMT.
1	01-400823-00123	Washer.....	1
2	01-400825-00122	Screw.....	1
3	01-412062-00RED	Flag - Berkel.....	1
4	01-4V6371	Screw.....	1
5	01-40825A-00010	Cover - Sharpener (Aluminum).....	1
6	01-400823-00400	Cover - Sharpener.....	1
7	01-402101-02109	Screw.....	1
8	01-400825-00108	Frame - Sharpener.....	1
9	01-403301-03812	Washer.....	1
10	01-40825A-10016	Button - Push.....	1
11	01-400825-00117	Spring.....	1
12	01-400825-00117	Spring.....	1
13	01-403301-03812	Washer.....	1
14	01-402101-07041	Nut.....	1
15	01-403375-01420	Shaft - Sharpener (827A-PLUS).....	1
16	01-403375-01421	Shaft - Sharpener (829E-PLUS).....	1
17	01-400825-00109	Shaft.....	1
18	01-400825-00112	Stone.....	1
19	01-403301-03812	Washer.....	1
20	01-402175-00387	Nut.....	1
21	01-40825A-10017	Button - Push.....	1
22	01-400825-00112	Stone.....	1
23	01-400825-00110	Shaft.....	1
24	01-402175-00387	Nut.....	1
25	01-403301-03812	Washer.....	1

