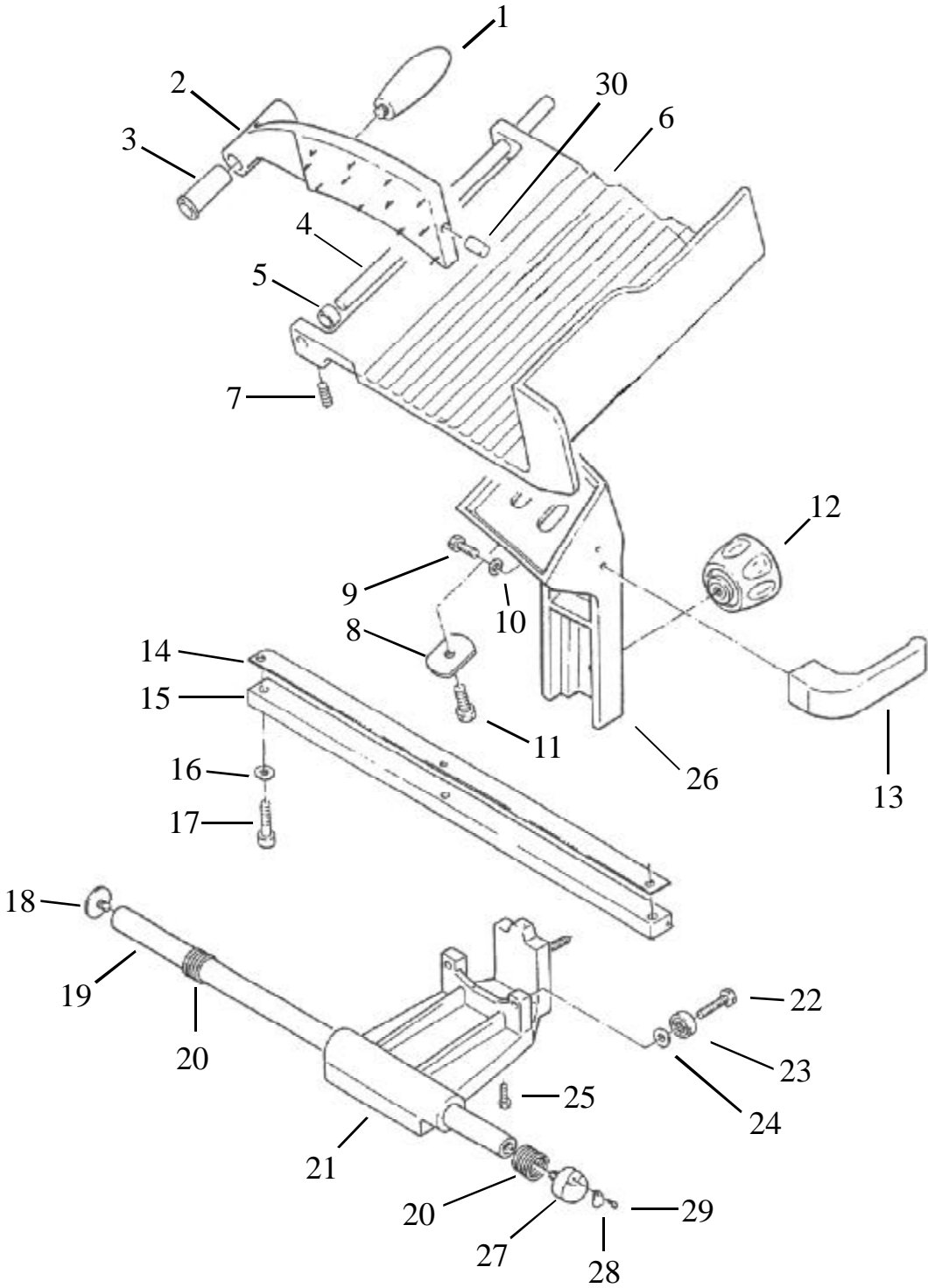
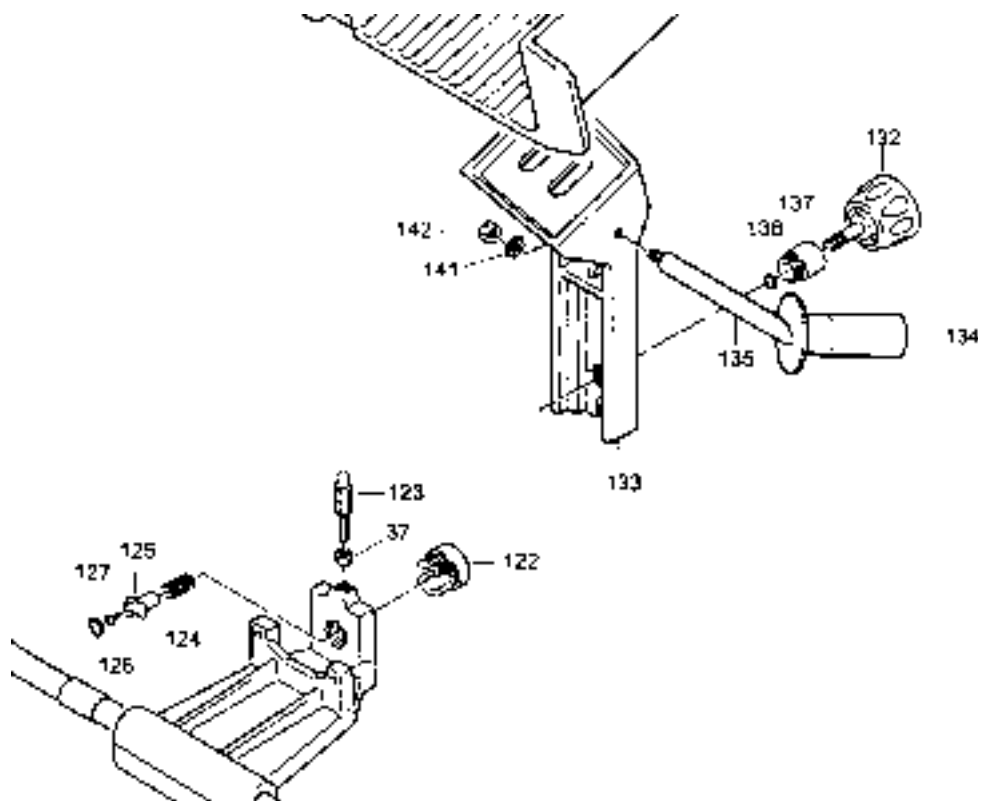


829A MEAT TABLE AND CARRIAGE ASSEMBLY



GAUGE PLATE INTERLOCK COMPONENTS

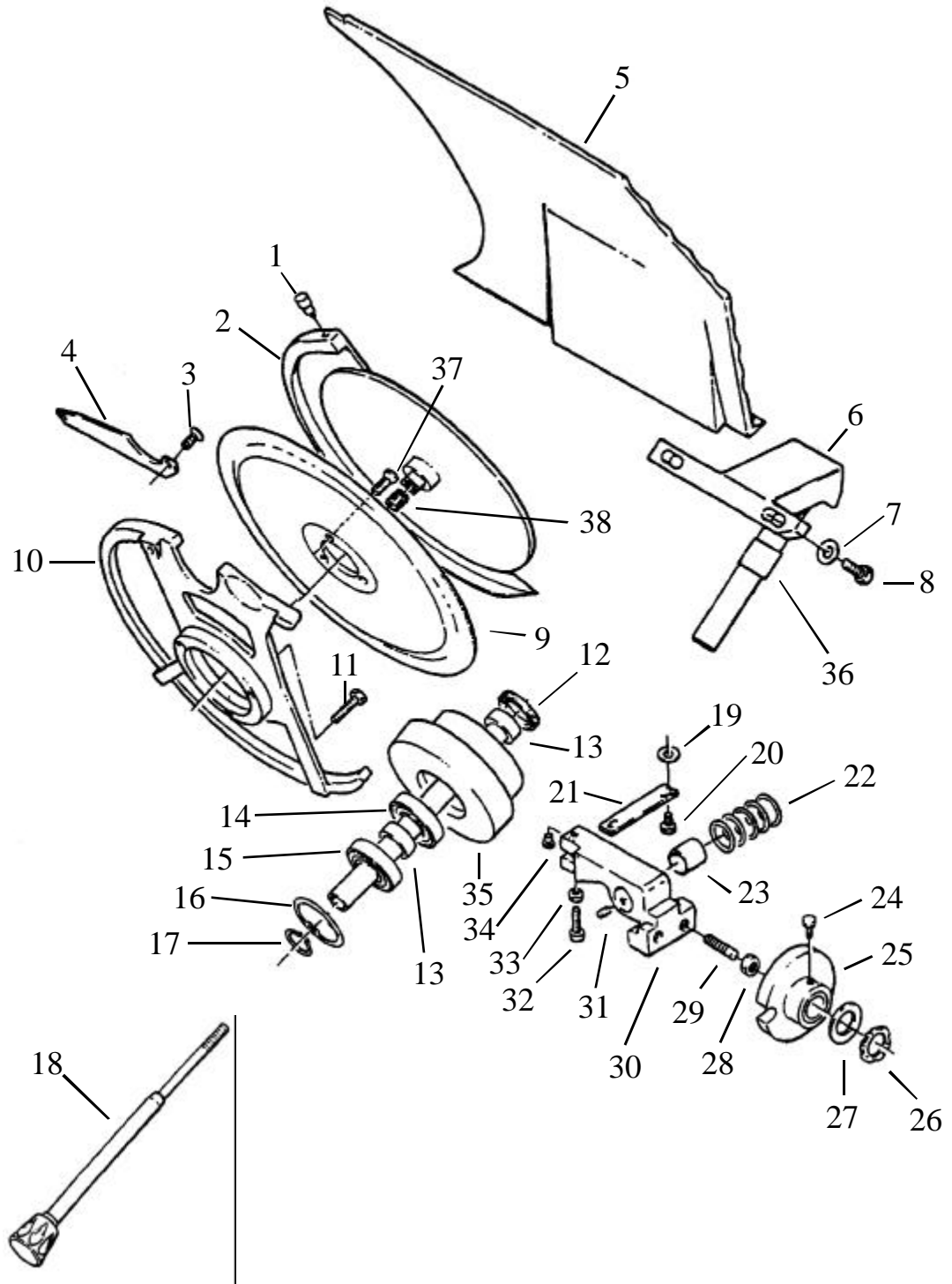


Item	Description	Part Number
37	Nut	827-00033
122	Bushing	829A-00602
123	Stand Off	829A-00603
124	Spring	829A-00604
125	Bushing	829A-00605
126	Nylon Screw	829A-00606
127	Circlip	829A-00600
132	Knob	829A-00607
134	Handle	829A-00608
135	Extension	829A-00609
137	Bushing	829A-00610
138	Circlip	829A-00601
141	Washer	829A-00611
142	Nut	CU-00008

829A MEAT TABLE AND CARRIAGE ASSEMBLY

Item	Description	Part Number
1	Handle, Pusher	827-00080
2	Pusher, Complete	829-00009
3	Bushing	827-00079-N
4	Pusher Slide Rod	829-00084
5	Rubber Spacer	829-00083
6	Product Table	829-00008
7	Grub Screw	827-00086
8	Plate	827-00131
9	Screw	827-00089
10	Washer	2101-08515
11	Screw	825-00122
12	Knob, Carriage	827A-00040
13	Handle, Carriage	827A-00037-A
14	Plate	829-00092
15	Square Rail	829-00014
16	Washer	3301-03812
17	Screw	827-00021
18	Screw	829-00050
19	Round Rail	829-00013
20	Spring, Long	829-00020
21	Carriage Assembly Complete	829-00012
22	Bolt	829-00017
23	Bearing	827-00015
24	Flat Washer	827-00016
25	Nylon Screw	827-00129
26	Product Table Support	829-00007
27	Oil Screw	829-00099
28	Oil Plate	827-00097
29	Rivet	827-00096
30	Nylon Plug	829-00082

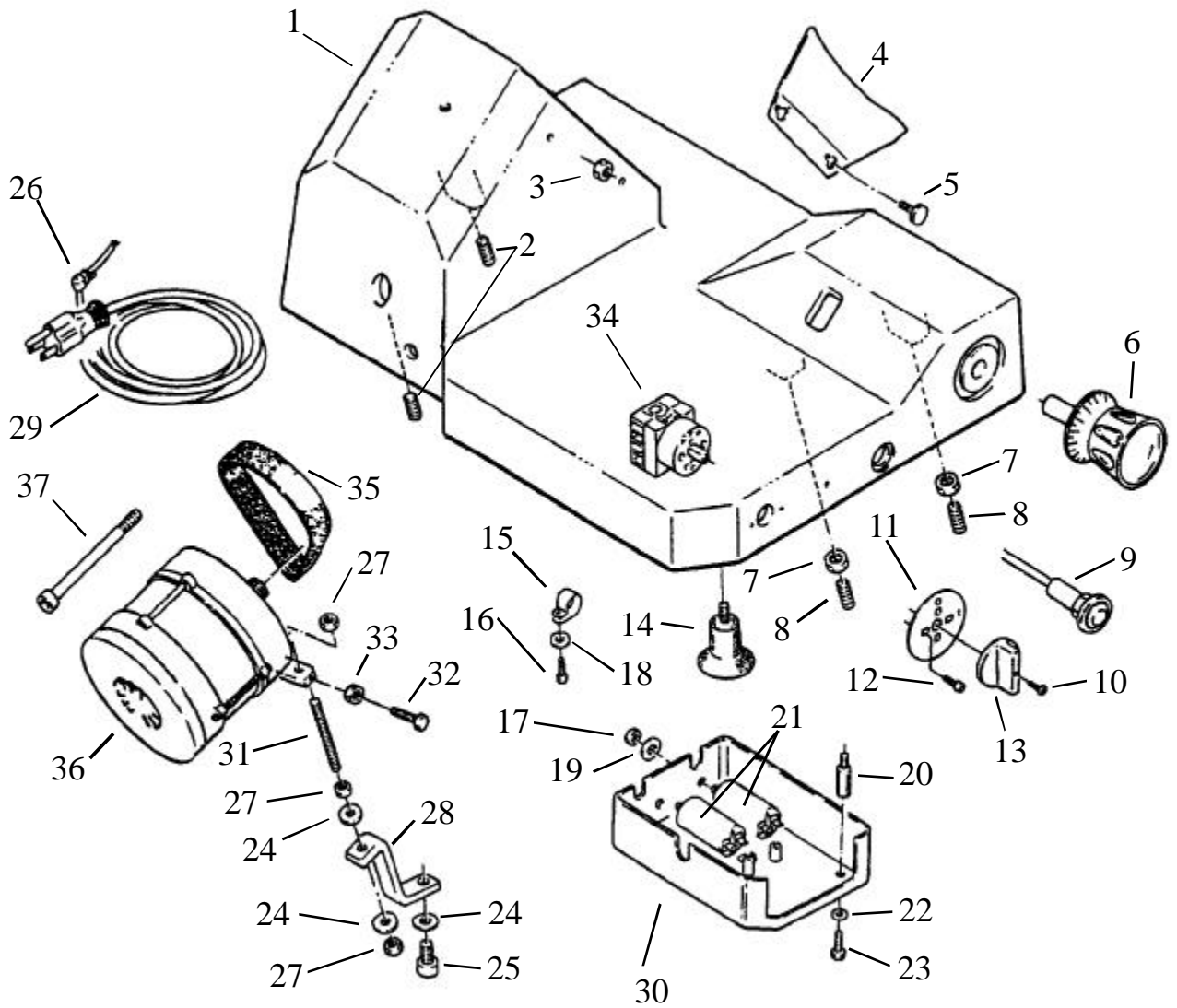
829A KNIFE AND GAUGE PLATE ASSEMBLY



829A KNIFE AND GAUGE PLATE ASSEMBLY

Item	Description	Part Number
1	Center Plate Pin	829-00038
2	Center Plate	829-00002
3	Screw, Upper Guard	829-00400
4	Upper Guard	829-00258
5	Gauge Plate	829-00003
6	Gauge Plate Support	829-00004
7	Washer	3301-03812
8	Screw	825-00005
9	Knife	829-00073
10	Ring Guard	829-00257
11	Screw	829-00087
12	Rubber Ring	827-00209
13	Bearing Spacer	827-00070
14	Bearing	2375-00103
15	Bearing	2375-00103
16	Circlip	825-00071
17	Circlip	825-00072
18	Center Plate Knob	829-00075
19	Washer	823-00114
20	Screw	827-00032
21	Plate	827-0026
22	Spring	829-00024
23	Bushing	827-00219
24	Screw	825-00021
25	Cam	829-00025
26	Spring Washer	825-00095
27	Washer	829-00401
28	Nut	827-00033
29	Cam Pin	827-00027
30	Support	829-00022
31	Set Screw	827-00031
32	Screw	827-00028
33	Nut	827-00029
34	Nylon Pin	825-00030
35	Knife Bearing Complete	829-00067
36	Bushing	827-00219
37	Screw	827-00074
38	Insert	827-00135

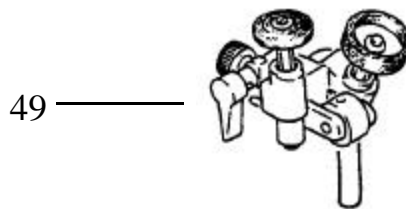
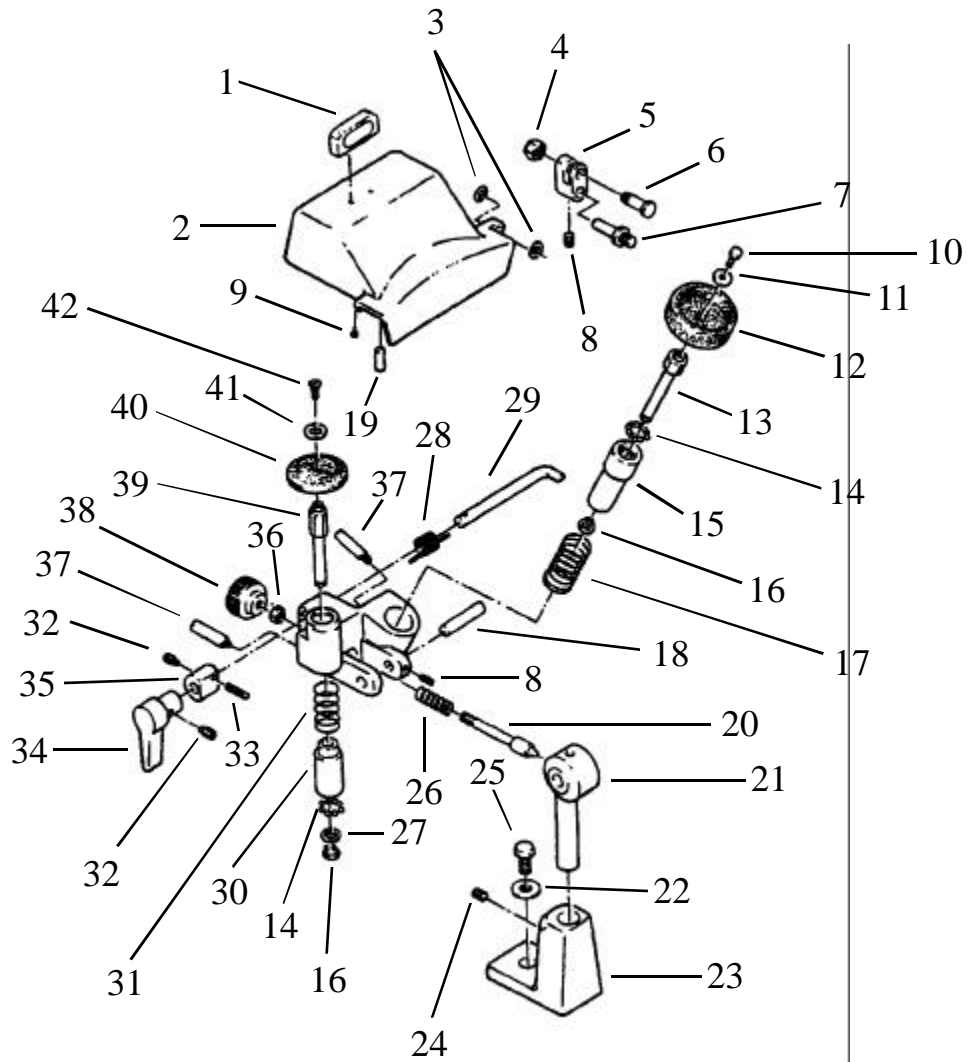
829A HOUSING AND ELECTRICAL



829A HOUSING AND ELECTRICAL

Item	Description	Part Number
1	Housing	N/A
2	Grub Screw	827-00086
3	Nut, Slice Deflector	827-00146
4	Slice Deflector	829-00011
5	Screw, Slice Deflector	827A-00091
6	Index Knob	829-00035
7	Nut	827-00146
8	Grub Screw	827-00086
9	Pilot Light	825-00041
10	Screw	827A-00400
11	Plate, Switch	827A-00039-B02
12	Screw	827A-00401
13	Knob, Switch	827A-00036-02
14	Rubber Foot	827-00093
15	Cord Clamp	3675-00224
16	Screw	825-00087
17	Nut, Capacitor	2101-07041
18	Washer	825-00006
19	Washer	829-00402
20	Spacer	829-00128
21	Capacitor	829-00042
22	Washer	825-00006
23	Screw	825-00021
24	Washer	2275-03071
25	Screw	827-00058
26	Cord Clamp	827-00127
27	Nut	2101-07041
28	Plate, Motor	829-00055
29	Power Cord	4175-00031
30	Cover	825-00405
31	Threaded Rod	829-00053
32	Screw	827-00062
33	Nut	827-00029
34	Switch, Complete	827A-00039-02
35	Ribbed Belt	829-00066
36	Motor	829-00048
37	Tie Rod, Motor	829-00060

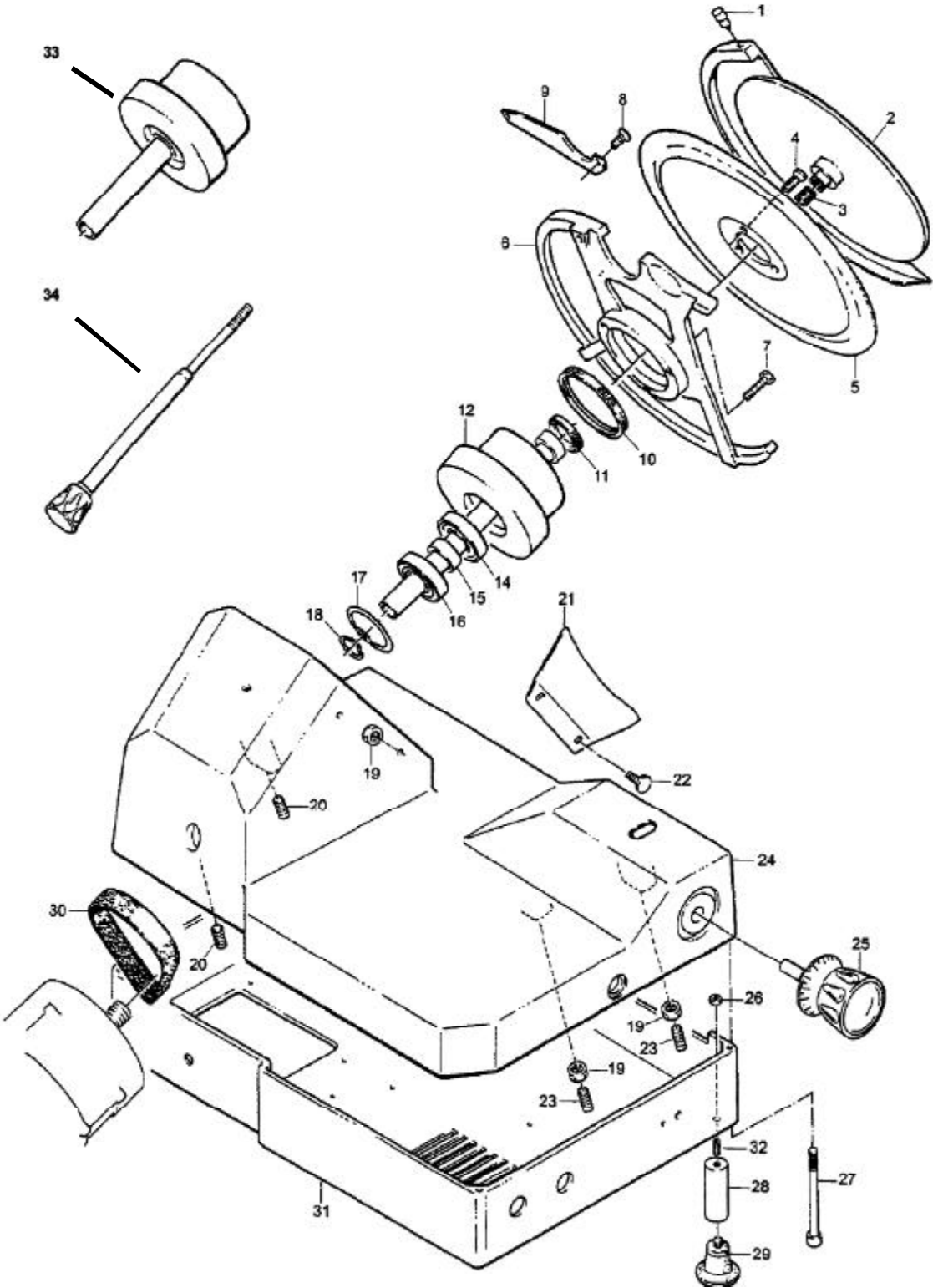
829A AND 839A SHARPENER ASSEMBLY



829A AND 839A SHARPENER ASSEMBLY

Item	Description	Part Number
1	Flag	12062RED
2	Cover, Sharpener	829-00010
3	Washer	829-00403
4	Nut	827-00033
5	Joint, Sharpener	829-00404
6	Screw	829-00405
7	Pin, Threaded	829-00406
8	Set Screw	829-00407
9	Screw	825-00032
10	Screw	825-00021
11	Washer	825-00006
12	Stone, Sharpening	829-00408
13	Spindle	829-00109
14	Ball	829-00110
15	Bearing Housing	829-00111
16	Circlip	829-00112
17	Spring	829-00113
18	Pin, Knurled	829-00114
19	Spacer, Plastic	829-00115
20	Pin	829-00116
21	Joint Support	829-00117
22	Washer	2275-03071
23	Support, Sharpener	829-00118
24	Set Screw	829-00119
25	Screw	825-00122
26	Spring	829-00120
27	Washer	829-00121
28	Circlip	829-00112
29	Lever, Sharpener	829-00122
30	Bearing Housing	829-00123
31	Spring	829-00124
32	Set Screw	829-00125
33	Pin, Roll	829-00126
34	Handle, Sharpener	829-00127
35	Bushing	829-00129
36	Nut	827-00146
37	Pin	829-00130
38	Knob	829-00131
39	Spindle	829-00132
40	Stone, Deburring	829-00409
41	Washer	829-00133
42	Screw	827-00074

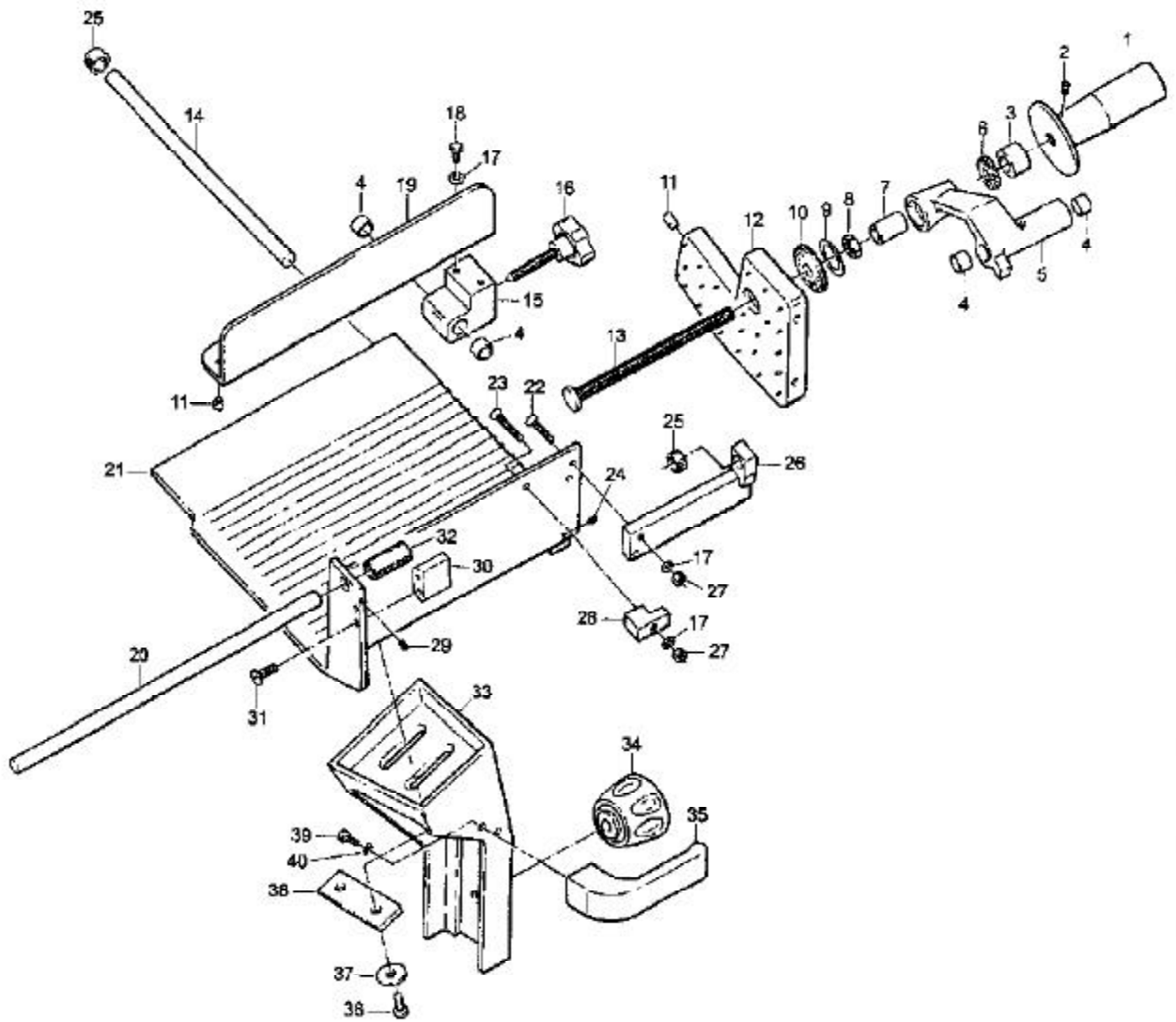
839A BASE TRANSMISSION AND BLADE



839A BASE TRANSMISSION AND BLADE

Item	Part Number	Description
1	829-00038	Center Plate Pin
2	829-00002	Center Plate
3	827-00135	Center Plate Insert
4	827-00074	Screw
5	829-00073	Knife
6	829-00257	Ring Guard
7	829-00087	Screw
8	829-00400	Screw
9	829-00258	Upper Knife Guard
10	839-00001	Rubber Ring
11	827-00209	Rubber Ring
12	829-00067	Knife Bearing Complete
14	2375-00103	Bearing 6205
15	827-00070	Bearing Spacer
16	2375-00103	Bearing 6205
17	825-00071	Circlip
18	825-00072	Circlip
19	827-00146	Nut
20	827-00086	Set Screw
21	829-00011	Slice Deflector
22	829-00091	Screw
23	827-00086	Set Screw
24	N/A	Base Housing
25	829-00035	Index Knob
26	827-00033	Nut
27	839-00002	Screw
28	839-00003	Spacer
29	827-00093	Foot
30	829-00066	Belt
31	N/A	Automatic Base
32	839-00004	Set Screw
33	829-00075	Center Plate Knob

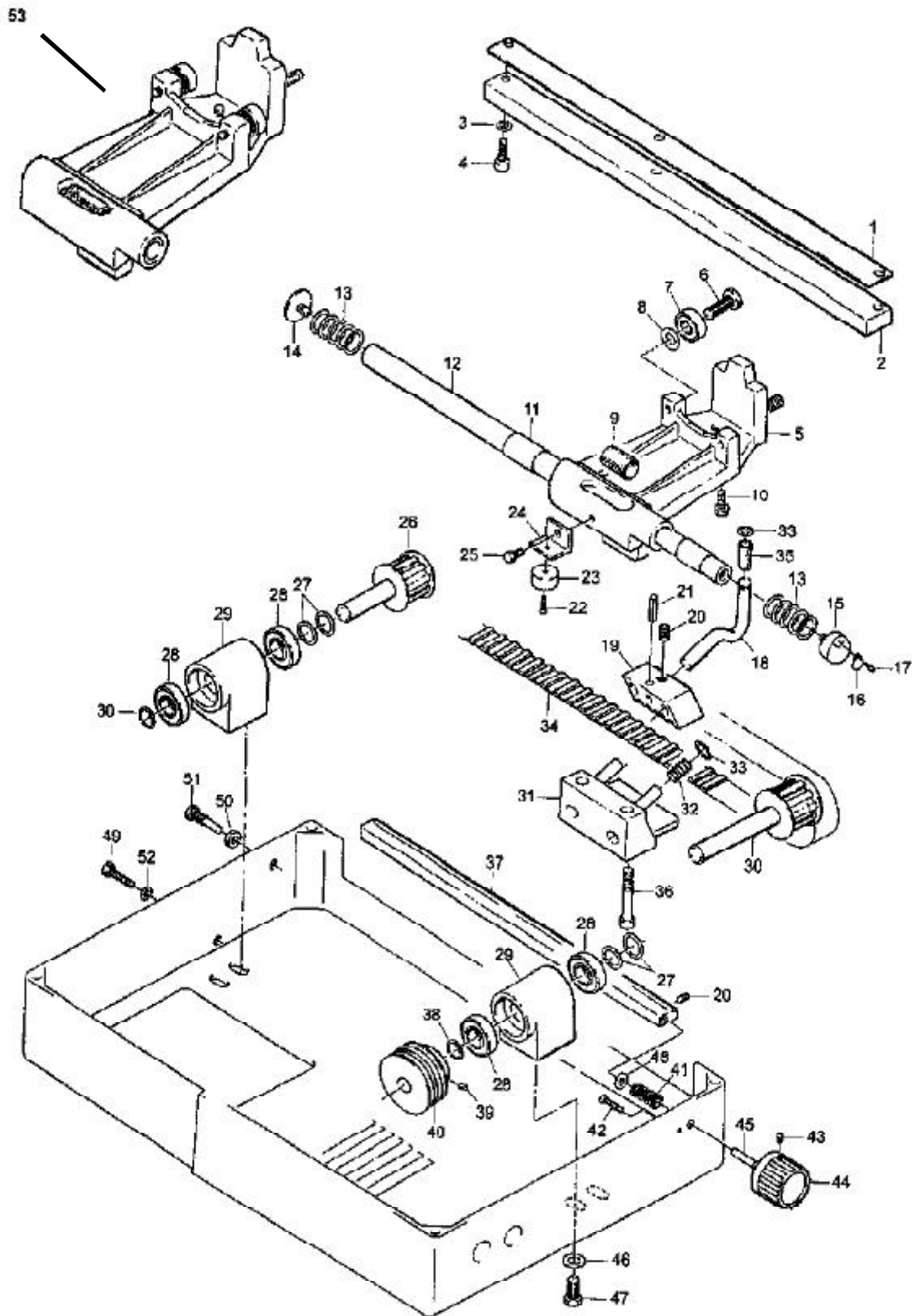
839A MEAT TABLE



839A MEAT TABLE

Item	Part Number	Description
1	839-0072	Handle
2	839-0073	Set Screw
3	839-00062	Extension
4	839-00074	Bushing
5	839-00075	Arc
6	839-00076	Nylon Washer
7	839-00077	Bushing
8	CU-00008	Nut
9	827-00095	Washer
10	839-00079	Nylon Washer
11	823-00082	Pin
12	839-00080	Pusher
13	839-00081	Screw
14	839-00082	Rod
15	839-00083	Support, Rod
16	839-00084	Knob
17	3301-03812	Washer
18	827-00021	Screw
19	839-00085	Fence
20	839-00086	Pusher Shaft
21	839-00087	Product Table
22	839-00088	Screw
23	839-00089	Screw
24	839-00013	Set Screw
25	839-00090	Rubber Spacer
26	839-00091	Support
27	827-00146	Nut
28	839-00092	Pusher Lock
29	839-00093	Set Screw
30	839-00094	Aluminum Lock
31	827-00074	Screw
32	839-00095	Rubber Spacer
33	829-00007	Product Table Support
34	827A-00040	Carriage Knob
35	827A-00037-A	Carriage Handle
36	825-00122	Screw
37	827-00131	Washer
38	839-00078	Plate
39	827-00089	Screw
40	2101-08515	Lock Washer

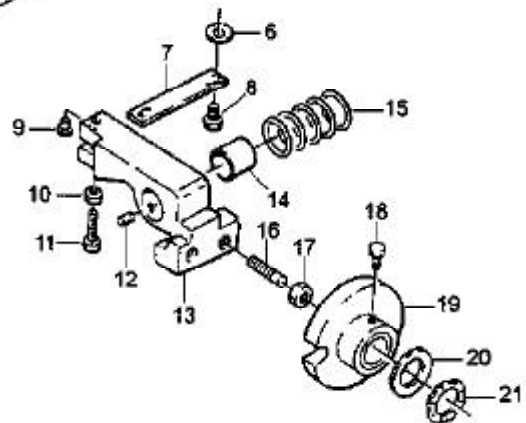
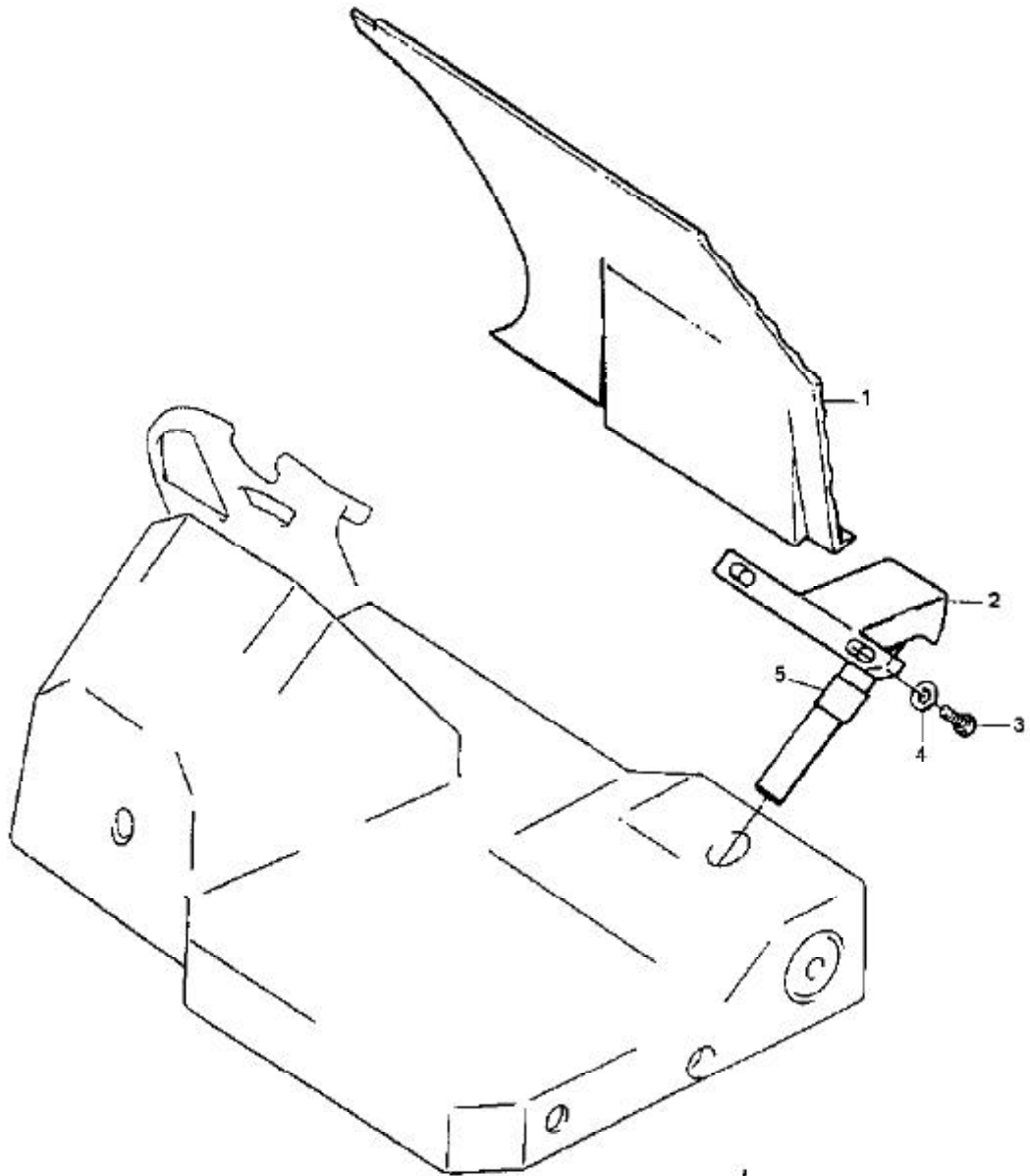
839A CARRIAGE AND TRANSMISSION



839A CARRIAGE AND TRANSMISSION

Item	Part Number	Description	Item	Part Number	Description
1	839-00005	Plate	28	839-00021	Bearing 6202 2RS
2	829-00014	Square Rail	29	839-00022	Pulley Support
3	3301-03812	Washer	30	839-00023	Pulley
4	827-00021	Screw	31	839-00024	Carriage Conveyor
5	839-00006	Carriage	32	839-00025	Spring
6	839-00007	Screw	33	839-00026	Circlip
7	827-00015	Bearing 6000ZZ	34	839-00027	Belt
8	827-00016	Washer	35	839-00028	Plastic Tube
9	839-00008	Felt	36	839-00029	Screw
10	827-00129	Nylon Screw	37	839-00030	Unlock Rod
11	839-00009	Bushing, 25 30	38	839-00031	Circlip
12	829-00013	Round Rail	39	831-00020	Set Screw
13	839-00010	Spring	40	839-00032	Pulley
14	829-00050	Screw	41	839-00033	Spring
15	829-00099	Oil Screw	42	839-00034	Screw
16	827-00097	Oil Plate	43	825-00086	Set Screw
17	827-00096	Rivet	44	839-00035	Knob
18	839-00011	Unlock Lever	45	839-00036	S.S. Pin
19	839-00012	Belt Unlock	46	823-00123	Washer
20	839-00013	Set Screw	47	825-00122	Screw
21	839-00014	Spring Lock Pin	48	825-00016	Washer
22	839-00015	Screw	49	825-00005	Screw
23	839-00016	Magnet	50	2101-07041	Nut
24	839-00017	Magnet Support	51	839-00037	Screw
25	839-00018	Screw	52	3301-03812	Washer
26	839-00019	Pulley	53	839-00038	Carriage Assembly
27	825-00071	Circlip			

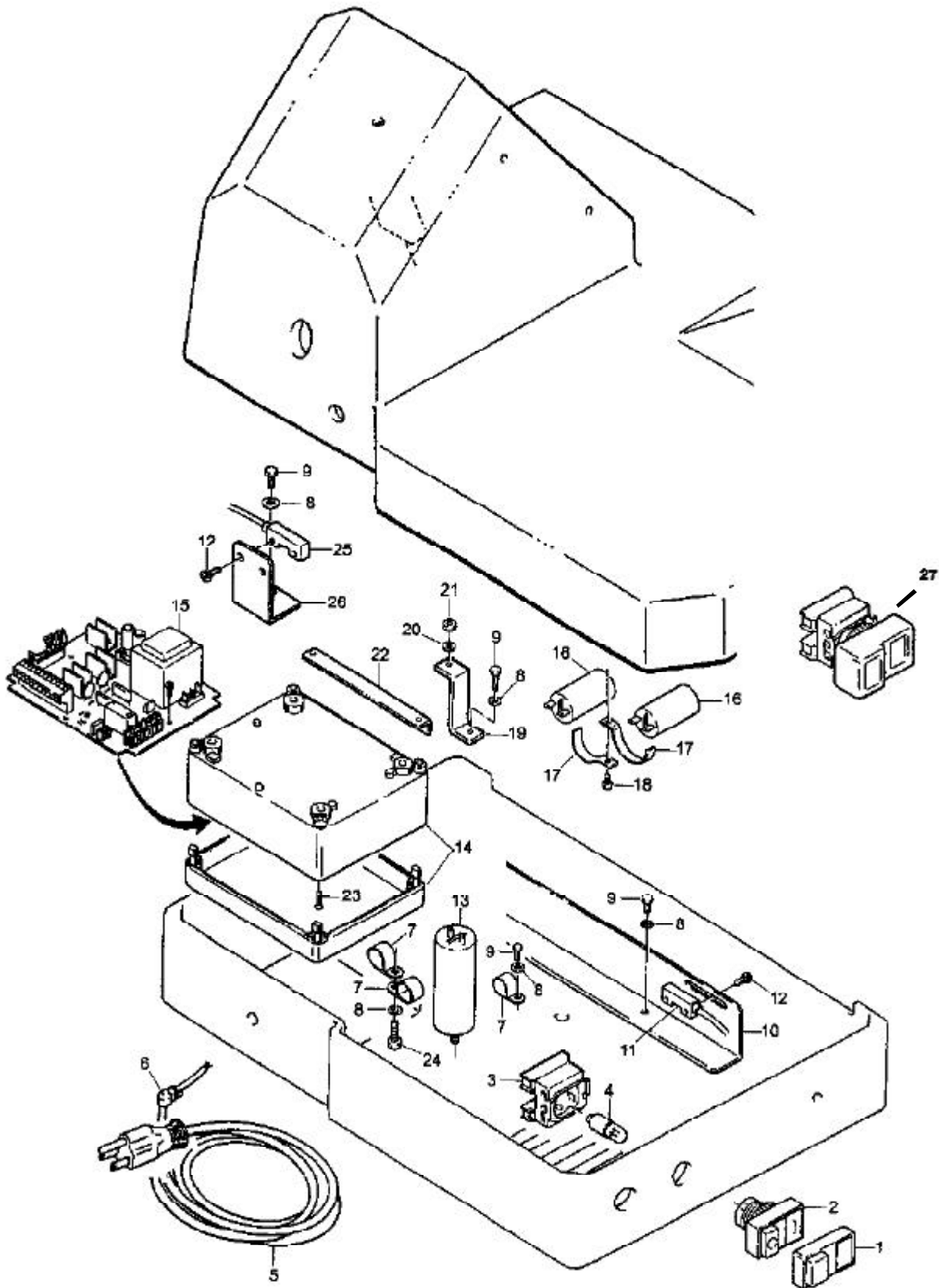
839A CAM AND GAUGE PLATE



839A CAM AND GAUGE PLATE

Item	Part Number	Description
1	829-00003	Gauge Plate
2	829-00022	Gauge Plate Support
3	829-00400	Screw
4	829-00258	Washer
5	827-00219	Bushing
6	823-00114	Washer
7	827-0026	Plate
8	827-00032	Screw
9	825-00030	Nylon Pin
10	827-00029	Nut
11	827-00028	Brass Screw
12	827-00031	Set Screw
13	829-00022	Support
14	827-00219	Bushing
15	829-00024	Spring
16	827-00027	Cam Pin
17	827-00033	Nut
18	825-00021	Screw
19	829-00025	Index Cam
20	829-00401	Washer
21	825-00095	Washer

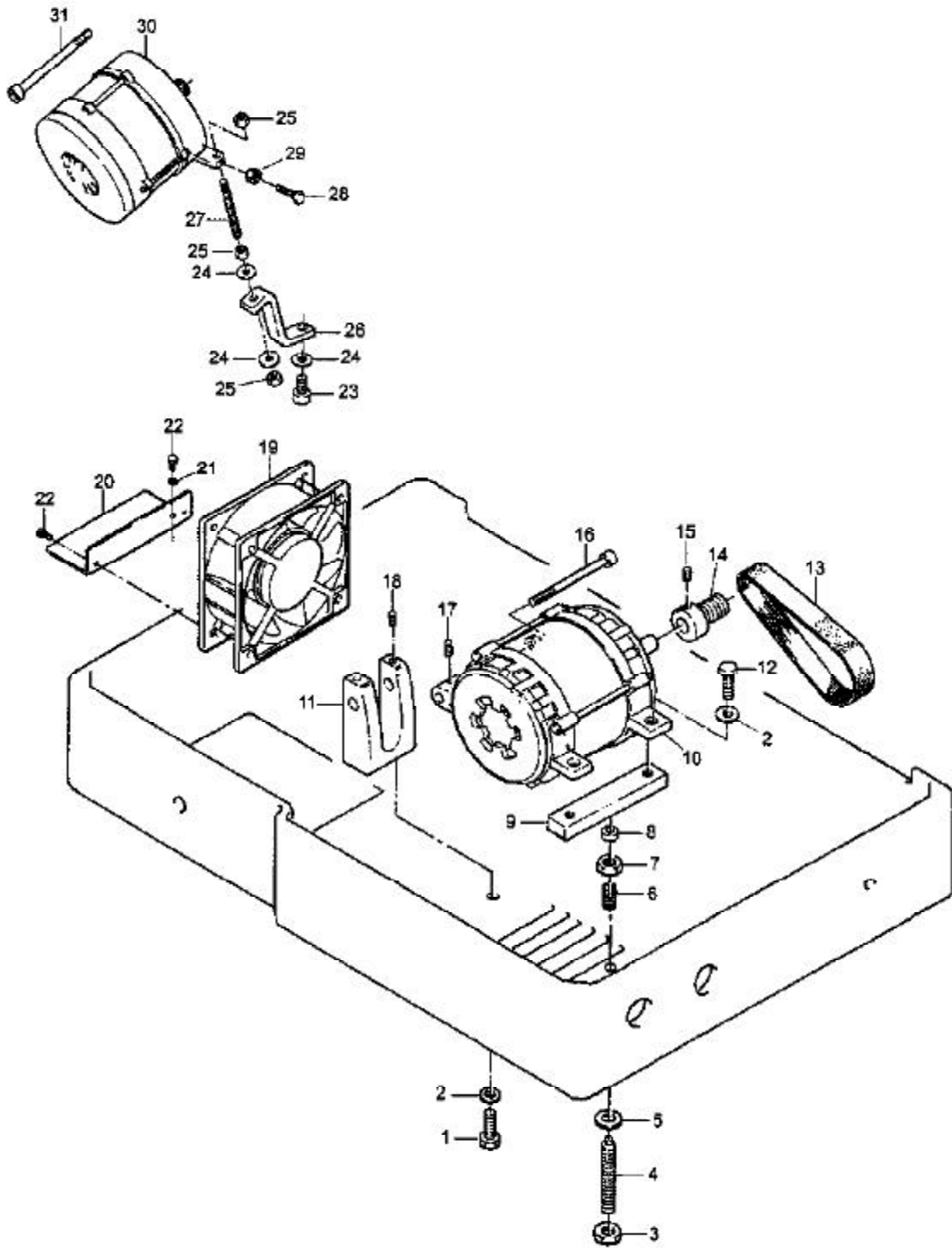
839A ELECTRICAL PART ONE



839A ELECTRICAL PART ONE

Item	Part Number	Description
1	839-00040	Switch Boot
2	839-00039	On/Off Pushbutton
3	839-00041	Contact Block
4	839-00042	Pilot Light
5	4175-00031	Cable
6	827-00127	Bushing, Cable
7	3675-00224	Cable Clamp
8	825-00006	Washer
9	825-00021	Screw
10	839-00043	Support, Sensor
11	839-00044	Sensor, NC
12	839-00045	Screw
13	839-00046	Capacitor
14	839-00047	Box
15	839-00048	Circuit Board
16	839-00049	Capacitor
17	825-00043	Clamp, Capacitor
18	839-00050	Screw
19	839-00051	Support Clamp for Box
20	839-00052	Washer
21	839-00053	Nut
22	839-00054	Plate
23	839-00055	Screw
24	829-00128	Screw
25	839-00056	Sensor, NO
26	839-00057	Support Plate, Sensor
27	839-00058	Push Button and Contact Block

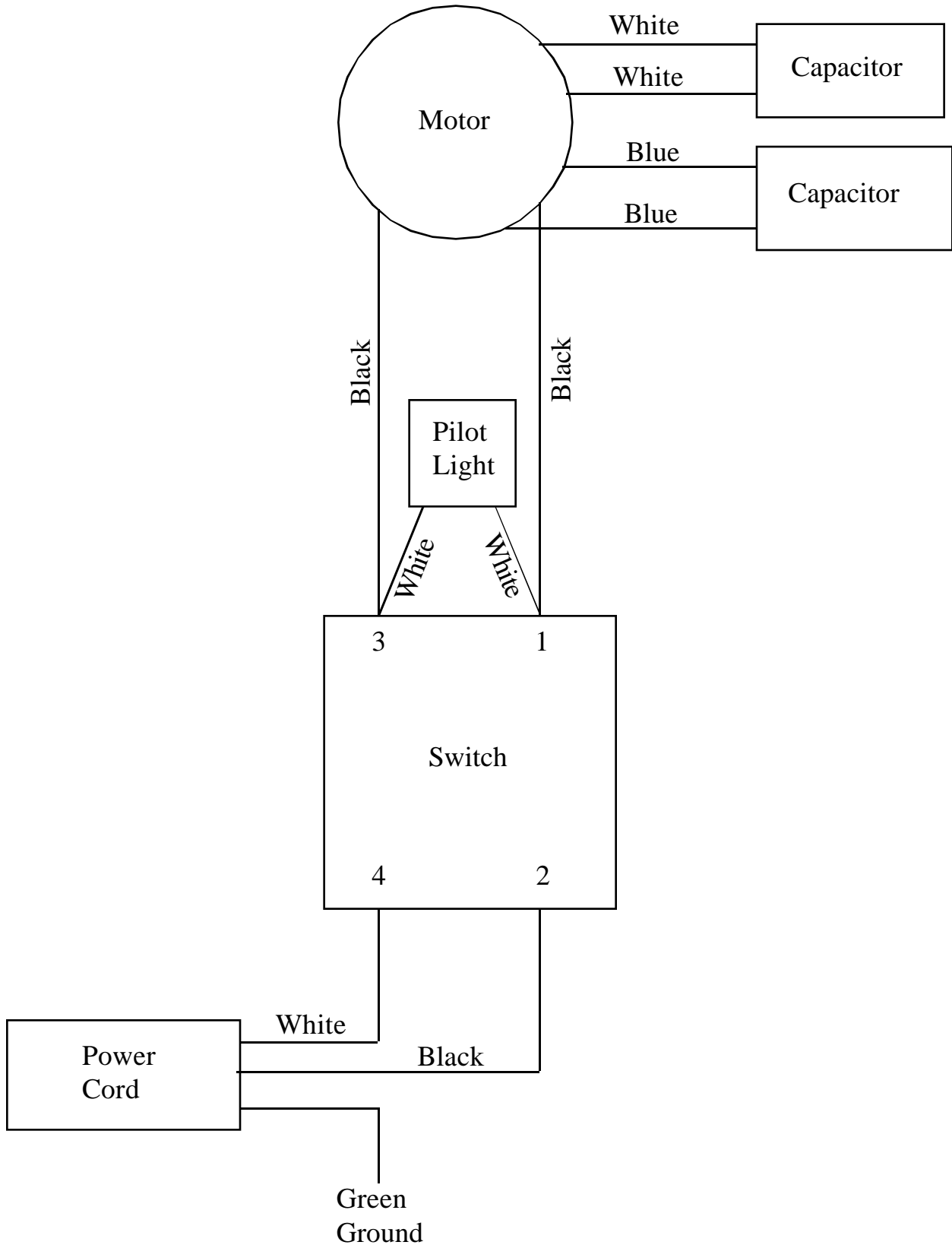
839A ELECTRICAL PART TWO



839A ELECTRICAL PART TWO

Item	Part Number	Description
1	839-00059	Screw
2	3301-03812	Washer
3	827-00033	Nut
4	839-00060	Threaded Rod
5	2275-03071	Washer
6	839-00061	Threaded Bushing
7	827-00130	Nut
8	825-00016	Washer
9	839-00063	Motor Support Plate
10	839-00064	Motor, Carriage
11	839-00065	Motor Support
12	839-00066	Screw
13	839-00067	Belt 8 x 356
14	839-00068	Pulley
15	829-00407	Set Screw
16	829-00060	Screw
17	825-00086	Set Screw
18	839-00069	Set Screw
19	839-00070	Fan
20	839-00071	Fan Support Plate
21	825-00006	Washer
22	825-00021	Screw
23	827-00058	Screw
24	2275-03071	Washer
25	827-00033	Nut
26	829-00055	Tie Rod Support
27	829-00053	Motor Tie Rod
28	827-00062	Screw
29	827-00029	Nut
30	829-00048	Motor, Knife
31	829-00060	Screw

WIRING DIAGRAM 829A



WIRING DIAGRAM 839A

