



The Choice of Experience

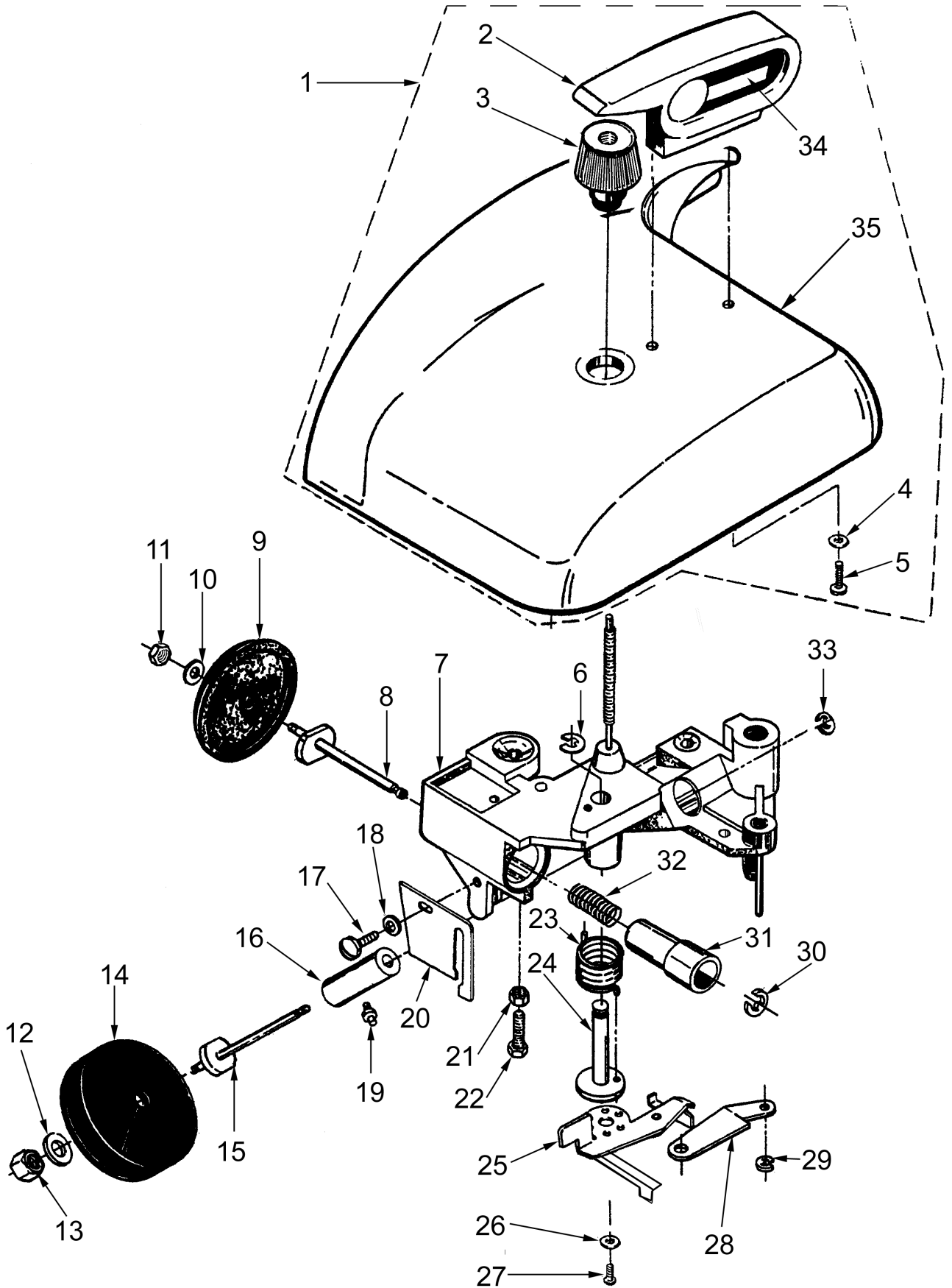
CATALOG OF REPLACEMENT PARTS



MODELS 909E, 909A, 919E & 919A SLICERS

EFFECTIVE MAY 2003

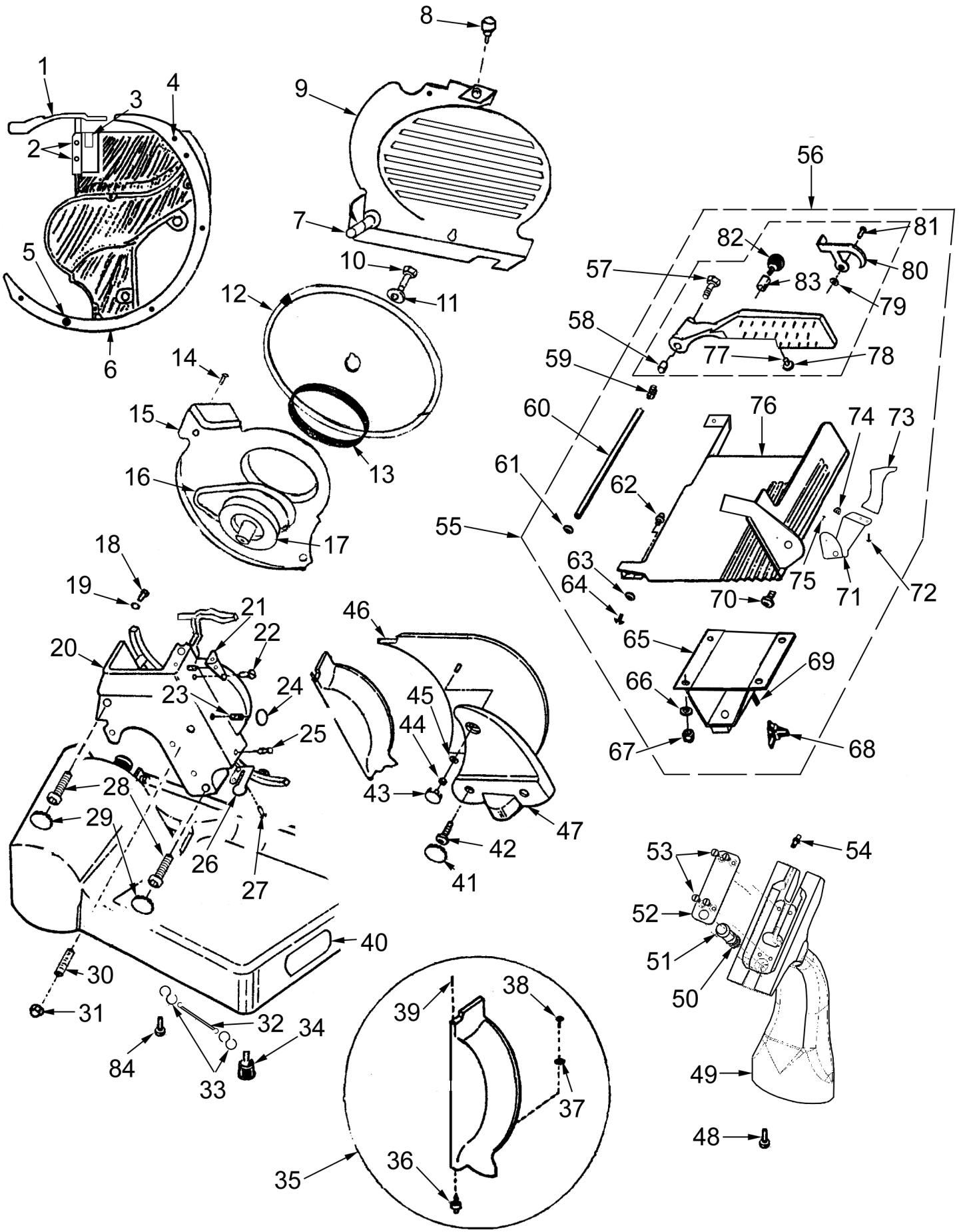
SHARPENER



SHARPENER ASSEMBLY

Item	Description	Part Number
	N/S = Not Shown	
N/S	sharpener assy., w/o cover	4675-01081
	sharpener assy., w/cover	4675-01085
1	cover assembly	4675-01084
2	handle assembly, sharpener cover	4575-00832
3	knob, sharpener	3375-01101
4	washer	2275-01037
5	screw	2175-00397
6	retaining ring	2275-00445
7	frame, sharpener	3875-00226
8	inside spindle (deburring)	3375-01118
9	inside stone (deburring)	3675-00075
10	washer	2275-03050
11	nut	2175-00387
12	washer	2275-03050
13	nut, LH	2175-00388
14	outside stone (sharpening)	3675-00076
15	outside spindle (sharpening)	3375-01119
16	bearing, outside spindle	3375-01349
17	screw	2175-00384
18	washer	2275-03040
19	screw, link	3375-01351
20	plate, sharpener position	3475-00789
21	nut	2175-00386
22	bolt	2175-00385
23	spring, torsion-large	3275-00212
24	spindle, bellcrank	3375-01120
25	handle, sharpener	3475-01009
26	washer	2275-00441
27	screw	2175-00382
28	link, sharpening stone	3475-00791
29	retaining ring	2275-00443
30	retaining ring	2275-00444
31	bearing, inside spindle	3375-01350
32	stone spring, deburring	3275-00228
33	retaining ring	2275-00444
34	logo, sharpener	3175-00638
35	cover, sharpener	3875-00225
N/S	label, instruction - 919E & 919A only	3175-00572
N/S	sharpener maint. kit	4975-00375

TOP VIEW

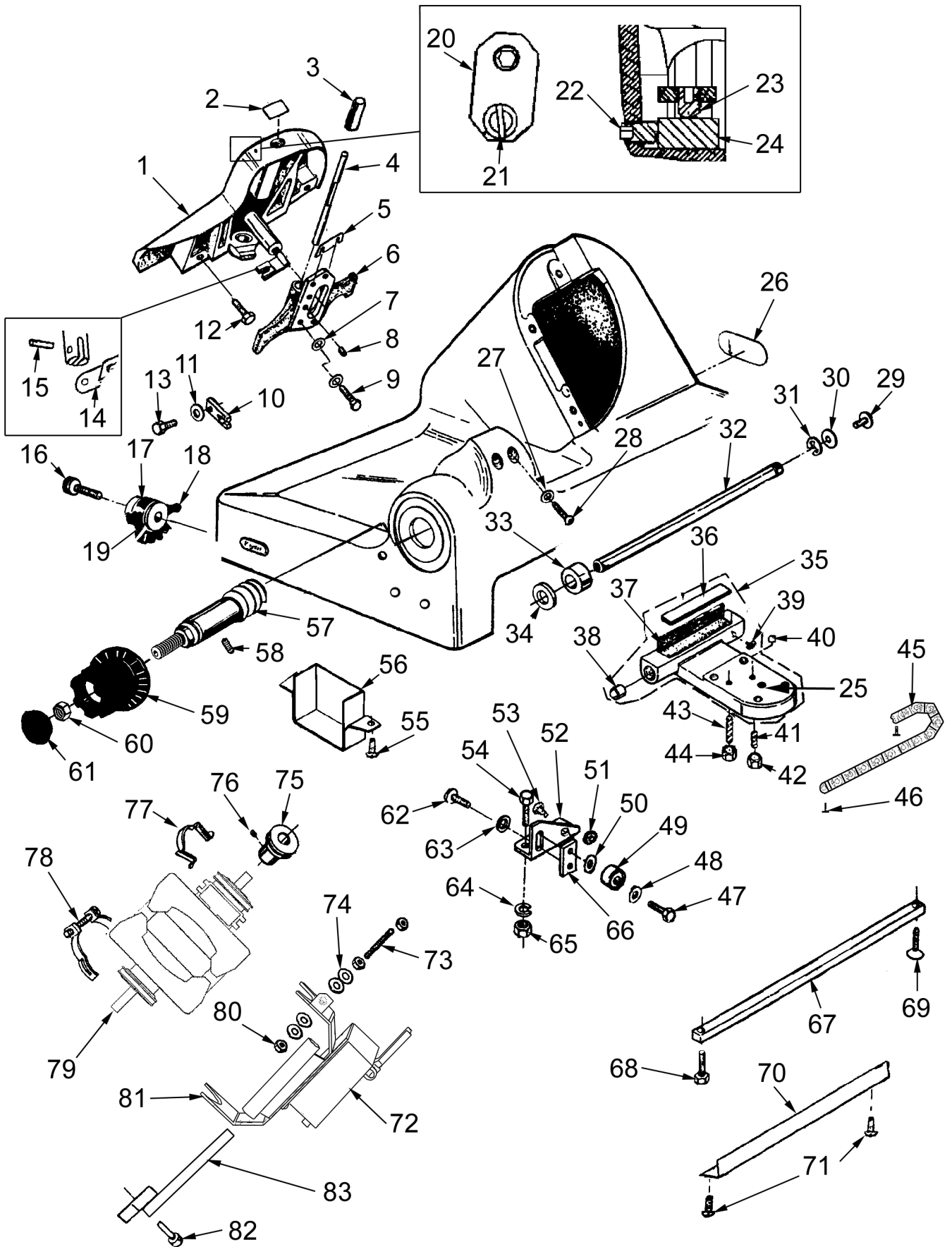


TOP VIEW

Item	Description	Part Number	
	N/S = Not Shown		
1	upper knife guard	3775-00442	
N/S	screw, adjustment	2175-03320	
2	screw, tamper proof	2175-00374	
3	bushing, sharpener shaft	2275-00573	
4	pin center plate	3375-01077	
5	post center plate	3375-01073	
6	lower guard	4575-00831	
7	magnet assy.	4175-00436	
8	plunger center plate, assy.	2375-00139	
9	center plate assy.	4675-00823	A
9	center plate assy.	4675-00968	E
10	knife bolt, 7/16-20 X 5/8	3375-01072	
11	knife washer	3475-00781	
12	knife, SS	3675-00070	
13	cover ring	3875-00025	
14	screw knife box cover	2175-03452	
15	knife box cover	3475-00765	
16	knife belt (flat, 60 Hz)	2375-00141	
17	knife pulley bearing assy.	4375-00192	
18	knife box bolts	2175-03063	
19	knife box washers	2275-03065	
20	knife box assy.	4575-01012	
21	upper hinge	3475-00156	
22	screw upper hinge	2175-03641	
23	set screw	2175-07152	
24	cover plate	3475-00162	
25	pin	3375-00291	
26	lower hinge	3475-00363	
27	screw #10 x 3/8	2175-03441	
28	screw 1/4 X 1-1/4	2175-03756	
29	hole plug	3475-00773	
30	setscrew	2175-05154	
31	acorn nut	2175-07052	
32	spring, carriage return	3275-00061	
33	hook, return spring	3275-00060	
34	foot assembly	3875-00228	
N/S	shoe post 919	4575-01020	
N/S	4" shoe post 909	4575-01018	
N/S	4" shoe post 919	4575-01014	
N/S	4" set of 4 posts 909	4975-00457	
N/S	4" set of 4 posts 919	4975-00454	
N/S	lift kit shoe post (909)	4575-01016	A
35	slice deflector	3875-00138	
36	lower pin	3375-00311	
37	washer	2275-03020	
38	rivot	2275-00066	
39	upper pin	2275-00065	
40	logo, Berkel	3175-00152	
41	hole cover (small)	3675-00072	

Item	Description	Part Number	
42	screw, 5/16 X 1	2175-01764	
43	hole cover (large)	3675-00071	
44	nut, 1/4	2175-05051	
45	washer, 1/4	2275-03050	
46	gauge plate	4575-00808	
47	gauge plate support	3775-00147	
48	screw, socket head	2175-01765	
49	support arm	4675-01080	A
49	support arm	4675-01103	E
50	spring, lock pin	2275-00574	A
51	pin, lock	3375-01344	A
52	cover plate, support arm	3475-01007	A
53	screw, flat 6-32 X 1/4	2175-03620	A
54	adjustment pin, table	3375-01147	
55	product table assembly	4675-01021	
56	pusher assembly	4675-01014	
57	bolt, 1/4-20 X 5/8	2175-03052	
58	bushing, pusher	2275-00045	
59	spring, compression	3275-00029	
60	shaft, product pusher	3375-01064	
61	washer	2275-00438	
62	guide, pusher position	3375-01149	
63	washer	3275-00111	
64	screw, #10 X 3/8	2175-03441	
65	bracket assy., product table	4675-01020	
66	washer, 1/4	2275-03050	
67	nut, acorn 1/4	2175-07052	
68	knob	2275-00063	
69	screw, set 3/8-16 X 2	2175-00440	A
N/S	nut, jam	2175-05071	A
N/S	magnet, cylindrical 3/16 X 1	2675-00688	A
N/S	screw, set 1/4 X 1/4	2175-07151	A
70	bolt, 3/8 X 1/2	2175-00392	
71	bracket, handle	3475-00811	
72	screw	2175-03452	
73	handle, ergo	3875-00148	
N/S	ergo handle assembly	4975-00360	
74	nut, acorn 3/8	2175-07072	
75	rivot	2275-00066	
76	product table	4575-00947	
77	screw, set 1/4-28 X 1/2	2175-00196	
78	pad, lock/wear	3875-00167	
79	washer, spring	3275-00043	
80	hook, product pusher - LH	3475-00164	
81	screw	3375-00333	
82	knob, male	2275-00043	
83	spacer, knob	3375-00244	
84	bolt, 5/16 X 1/2	2175-01060	

BOTTOM VIEW

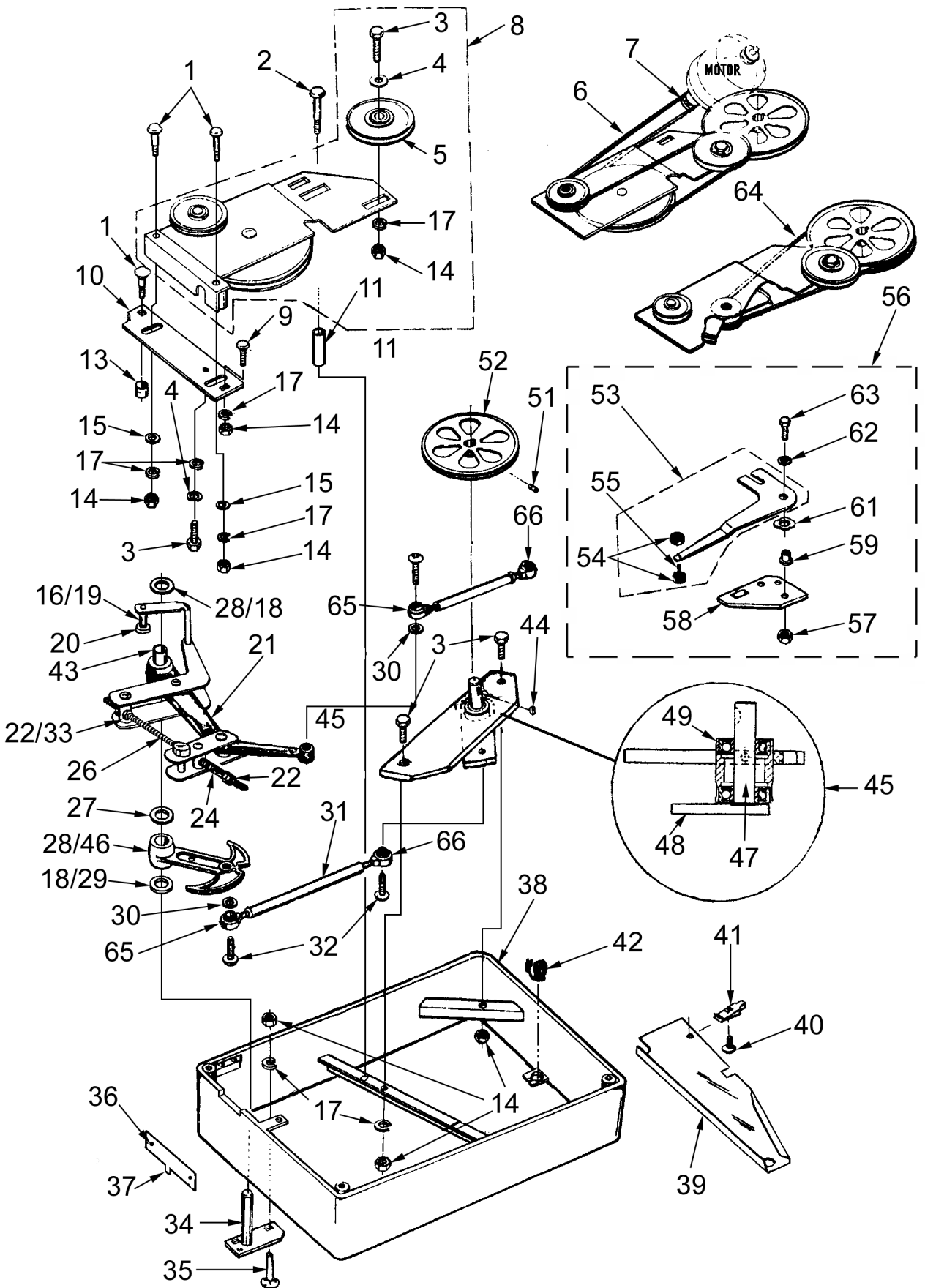


BOTTOM VIEW

Item	Description	Part Number	
	N/S = Not Shown		
1	gauge plate support	4675-01082	A
1	gauge plate support	4675-00875	E
2	slide rod plate	3475-00162	
3	bushing	2275-00058	
4	slide rod	3375-00296	
5	shim	3275-00044	
6	base gauge plate	3775-00146	
7	lock washer	2275-03050	
8	set screw	2175-05155	
9	screw 1/4 x 1-1/4	2175-01054	
10	clamp	3375-00298	
11	washer, 5/16	2275-01061	
12	bolt, 1/4 X 1	2175-00097	
13	bolt, 5/16 X 1/2	2175-01060	
14	index link	4575-00101	
15	pin	2275-01131	
16	screw, soc 3/8 X 1-1/4	2175-01775	
17	bushing	3375-01070	
18	pin, gear segment	3375-01102	
19	gear segment w/pin	4375-00196	
N/S	gear segment w/pin & bushing	4975-09280	
20	plate, magnet lock	3475-01015	A
21	screw, #6-32 X 5/16	2175-03381	A
22	screw, set #10-24 X 5/16	2175-07142	A
23	screw, set 1/4-20 X 1/4	2175-00485	A
24	magnet, interlock	2675-00892	A
25	bushing, cord	2675-00685	A
N/S	clip, cable	2675-00687	A
N/S	screw, cable clip	2175-00105	A
N/S	magnet, no-travel sensor	4175-09001	A
N/S	screw, no-travel magnet mounting	2175-01310	A
26	logo, Berkel	3175-00465	
27	washer	2275-03050	
28	screw, soc 1/4 X 1-1/4	2175-03858	
29	screw, #10 X 1/2	2175-03442	
30	washer	3275-00047	
31	snap ring	2275-00092	
32	round rail	3375-00091	
33	rubber bumper	3275-00046	
34	rubber washer	3275-00045	
35	carriage, complete	4675-01089	A
35	carriage, complete	4675-00965	E
36	cover, carriage	3475-00169	
37	oil wick	3275-00035	
38	bushing 7/8	2275-00053	
39	oil hole cover	2475-00003	

Item	Description	Part Number	
40	plug	3375-00336	
41	screw, set 5/16	2175-00381	
42	nut, 5/16	2175-05061	
43	screw, set #10	2175-00106	
44	nut, lock #10	2175-00107	
45	carrier, cable 18 link	2375-00177	
46	screw, cable carrier	2175-01314	
47	bolt	3375-00249	
48	washer	2275-00091	
49	roller bearing assembly	4375-00031	
50	washer	3375-00131	
51	nut 5/16	2175-05060	
52	bracket	3375-00304	
53	bolt, 5/16 X 1-1/4	2175-01065	
54	bolt, 5/16 X 7/8	2175-03063	
55	screw, switch box	2175-00375	
56	switch box	3875-00137	
57	worm gear assembly	4675-00336	
58	screw, set	2175-05163	
60	nut 1/2	2175-00121	
61	plug, cover 1-1/4	2275-00414	
62	screw, 5/16 X 1/2	2175-01862	
63	washer 5/16	2275-01061	
64	washer, lock	2275-01065	
65	nut 5/16	2175-05060	
66	adjusting bracket, roller	3375-00306	
67	rail, square	3375-00305	
68	bolt, 5/16 X 1-1/4	2175-01065	
69	screw, 4/15 X 1-1/4	2175-01665	
70	cord cover	3475-00702	
71	screw, cord cover	2175-00105	
72	control box assembly	4675-01091	A
72	control box assembly	4675-01090	E
73	threaded rod	2175-00378	
74	washer, 5/16	2275-01061	
75	pulley, knife belt	3375-01099	
76	screw, set	2175-05152	
77	speed clip, motor	3275-00039	
78	clamp, motor	2275-00087	
79	motor, 2 speed	4175-00511	A
79	motor, 1 speed	4175-00588	E
80	nut, 5/16	2175-05060	
81	mount, motor	4575-00805	
82	bolt	2175-01760	
83	pivot, motor mount	4575-00097	

POWERSTROKE



POWER STROKE

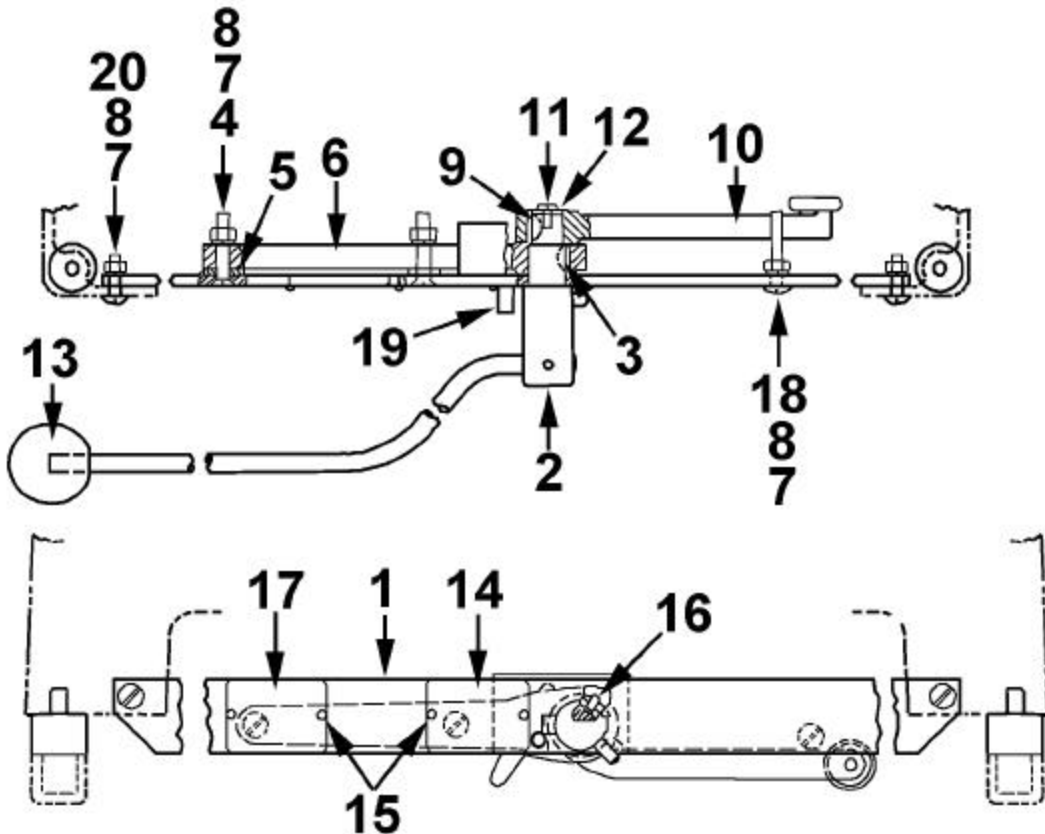
Item	Description	Part Number
1	bolt 5/16 x 2	2175-01267
2	bolt 5/16 x 3-1/2	2175-01270
3	bolt 5/16 x 1-1/2	2175-01065
4	washer	2275-01061
5	idler pulley	4375-00137
6	belt, round	2375-00133
7	motor pulley	3375-01083
8	pulley & pulley assembly	4675-00811
9	bolt 5/16 x 3/4	2175-03062
10	bracket	3475-00324
11	spacer	3375-01088
13	spacer	3375-00223
14	nut 5/16	2175-05060
15	washer 5/16 flat	2275-01060
16	roller	3275-00024
17	lockwasher 5/16	2275-03065
18	washer 1/2" hole	3275-00018
19	bushing	3275-00023
20	rivet	2275-00029
21	drive arm assembly	4375-00188
22	nut #10	2175-05040
24	spring	3275-00084
26	control rod	3375-00227
27	washer, plastic, 7/8" hole	3275-00032
28	arm, w/ 46	4375-00193
29	shim, plastic 1/2" hole	3275-00128
30	washer	2275-00028
31	rod & brg assy. (long)	4375-00197
32	screw 5/16 x 7/8"	2175-01863
33	shim	09664-60
34	plate & shaft	4575-00075
35	bolt 5/16 x 1-1/4	2175-01264

Item	Description	Part Number
36	drive screw	2175-00424
37	shift plate assy	4575-00866
	stroke plate, part of 37	3175-00571
	shift plate, part of 37	3475-00835
38	auto base	3775-00366
39	shield	3475-00783
40	screw	2175-03442
41	speed nut	2275-00123
42	strain relief	2675-00562
43	bushing	2275-00021
44	key	3275-00006
45	crank assy. (complete)	4375-00191
46	bushing (arm)	2275-00022
47	washer	3275-00010
48	crank assembly	4375-00189
49	ball bearing	2375-00010
50	rod & brg. Assy. (short)	4675-00840
51	set screw 1/4 x 5/16	2175-05152
52	pulley	3775-00373
53	shift lever assy. (complete)	4575-00865
54	knob (sold each, need 2)	3875-00026
55	pin	2275-00051
56	shift lever & bracket assy.	4675-00925
57	nut 1/4"	2175-00265
58	bracket	3575-00063
59	spacer	3375-01151
61	spring washer 7/16"	3275-00025
62	washer	2275-00408
63	bolt 1/4"	2175-00210
64	belt poly V4	2375-00138
65	bearing assy. R/H	2375-00143
66	bearing assy. L/H	2375-00144

909A & AS LIFT ASSEMBLY

4975-00348

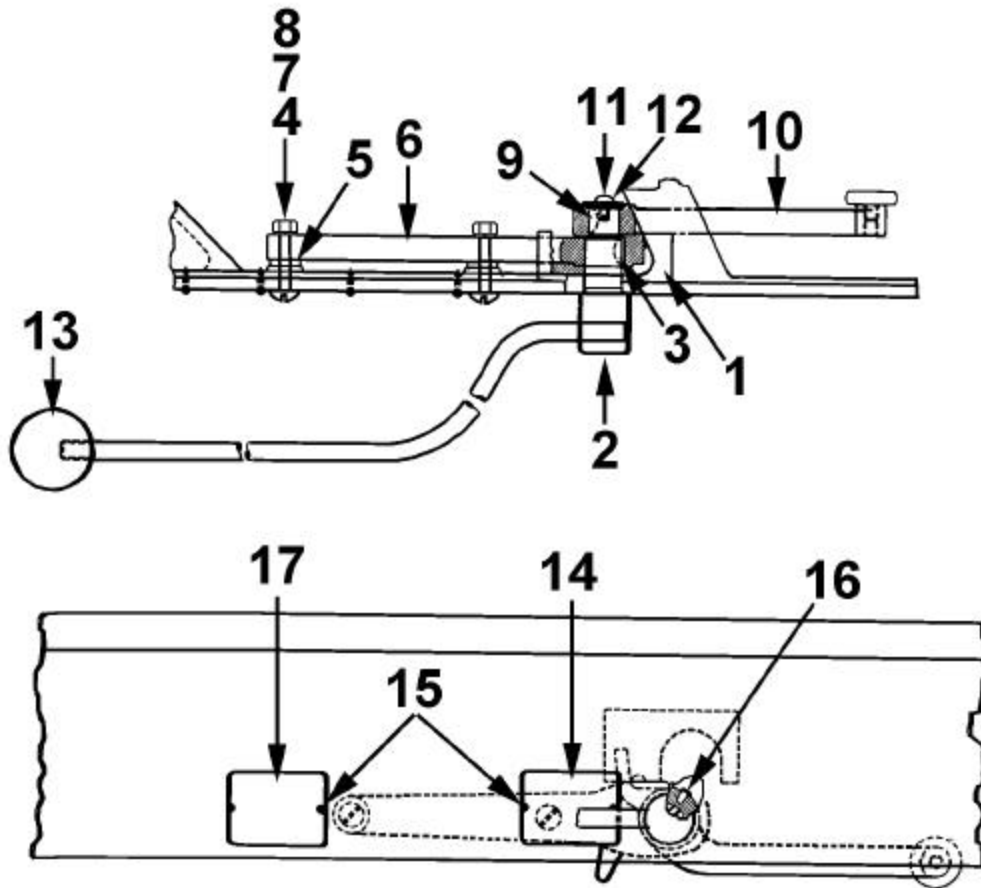
Item	Description	Part Number	Item	Description	Part Number
1	ratchet bracket	4575-00824	11	screw	2175-03341
2	handle assy.	4575-00825	12	shim	9405-30
3	key	10308	13	knob	2275-00042
4	screw	2175-03657	14	lever plate	3175-00613
5	spacer	2275-00437	15	drive screw	2175-00257
6	ratchet	2375-00145	16	set screw	2175-05143
7	lock washer	2275-03055	17	instruction plate	3175-00618
8	hex nut	2175-07050	18	screw	2175-03457
9	key	3275-00006	19	handle stop pin	3375-01197
10	lift arm assy.	4375-00199			



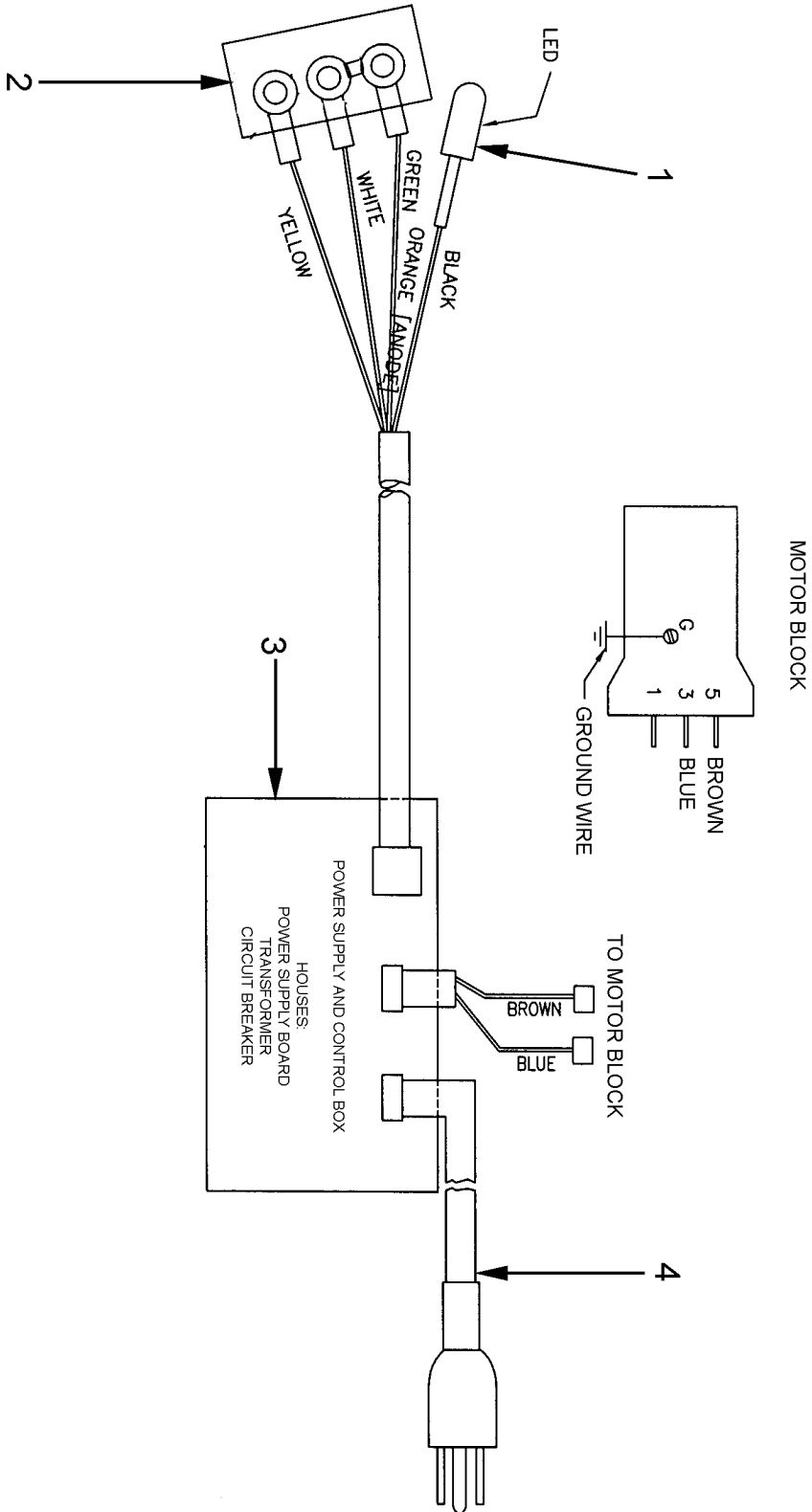
919A LIFT ASSEMBLY

4975-00350

Item	Description	Part Number	Item	Description	Part Number
1	ratchet cover	3475-00787	10	lift arm assy.	4375-00198
2	handle assy.	4575-00826	11	screw	2175-03341
3	key	10308	12	shim	9405-30
4	screw	2175-03457	13	knob	2275-00042
5	spacer	2275-00439	14	lever plate	3175-00613
6	ratchet	2375-00145	15	drive screw	2175-00257
7	lock washer	2275-03055	16	set screw	2175-05143
8	hex nut	2175-07050	17	instruction plate	3175-00618
9	key	3275-00006	20	screw	2175-03455



909E / 919E WIRING DAIGRAM

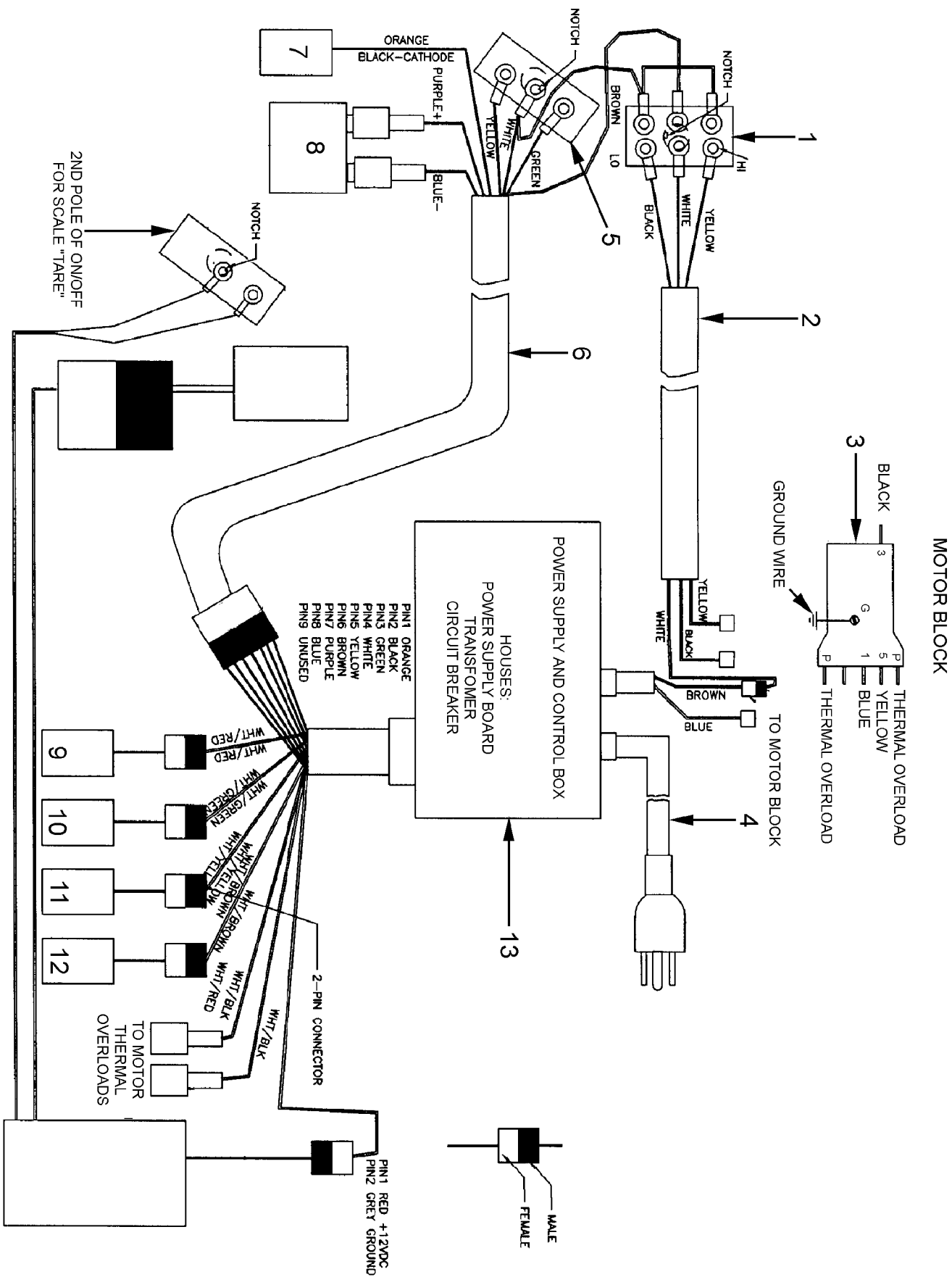


ELECTRICAL COMPONENTS

909A / 919A Electrical Components		
	N/S = Not Shown	
Item	Description	Part Number
1	speed selector switch	2675-00680
2	cord, speed	4175-00704
3	motor block	4975-00349
4	cord, power	4175-00031
5	on / off switch	2675-00866
N/S	switch guard	2675-00647
N/S	rivet, drive (switch guard)	2275-00425
6	cord, control	4175-00703
7	pilot light (LED)	2675-00869
8	solenoid, index	2675-00896
N/S	screw, solenoid mounting	2175-00436
9	sensor, centerplate	4175-00688
N/S	screw, centerplate sensor mounting	2175-01310
N/S	washer, centerplate sensor mounting	2275-01010
10	sensor, no-travel	4175-00688
N/S	screw, no-travel sensor mounting	2175-01310
N/S	washer, no-travel sensor mounting	2275-01010
N/S	nut, no-travel sensor mounting	2175-07010
11	sensor, lift	4175-00688
N/S	screw, lift sensor mounting	2175-01310
N/S	washer, lift sensor mounting	2275-01010
12	sensor, table	4175-00701
13	control box	4675-01091
N/S	screw, control box mounting	2175-03341
N/S	lock washer, control box mounting	2275-03045

909E / 919E Electrical Components		
Item	Description	Part Number
1	pilot light (LED)	2675-00869
2	on / off switch	2675-00866
N/S	switch guard	2675-00647
N/S	rivet, drive (switch guard)	2275-00425
3	control box	4675-01090
N/S	screw, control box mounting	2175-01381
N/S	washer, control box mounting	2275-03030
4	cord, power	4175-00031

909A / 919A WIRING DIAGRAM



ELECTRICAL COMPONENTS

909A / 919A Electrical Components		
	N/S = Not Shown	
Item	Description	Part Number
1	speed selector switch	2675-00680
2	cord, speed	4175-00704
3	motor block	4975-00349
4	cord, power	4175-00031
5	on / off switch	2675-00910
N/S	switch guard	2675-00647
N/S	rivet, drive (switch guard)	2275-00425
6	cord, control	4175-00703
7	pilot light (LED)	2675-00869
8	solenoid, index	2675-00896
N/S	screw, solenoid mounting	2175-00436
9	sensor, centerplate	4175-00688
N/S	screw, centerplate sensor mounting	2175-01310
N/S	washer, centerplate sensor mounting	2275-01010
10	sensor, no-travel	4175-00688
N/S	screw, no-travel sensor mounting	2175-01310
N/S	washer, no-travel sensor mounting	2275-01010
N/S	nut, no-travel sensor mounting	2175-07010
11	sensor, lift	4175-00688
N/S	screw, lift sensor mounting	2175-01310
N/S	washer, lift sensor mounting	2275-01010
12	sensor, table	4175-00701
13	control box	4675-01091
N/S	screw, control box mounting	2175-03341
N/S	lock washer, control box mounting	2275-03045

909E / 919E Electrical Components		
Item	Description	Part Number
1	pilot light (LED)	2675-00869
2	on / off switch	2675-00910
N/S	switch guard	2675-00647
N/S	rivet, drive (switch guard)	2275-00425
3	control box	4675-01090
N/S	screw, control box mounting	2175-01381
N/S	washer, control box mounting	2275-03030
4	cord, power	4175-00031