



CATALOG OF REPLACEMENT PARTS

Berkel B12 Series Slicer

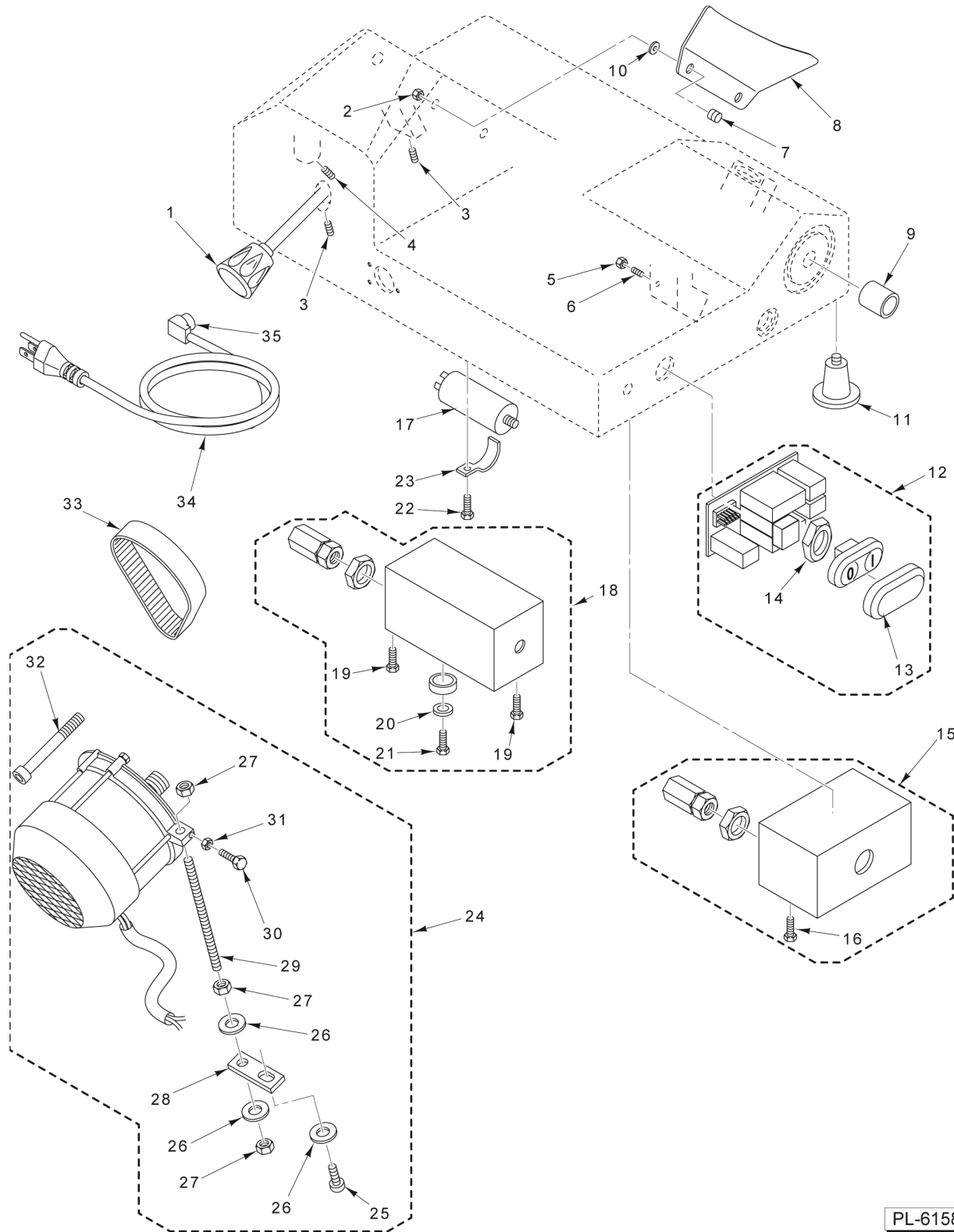


ML-136331

B12

Table of Contents

5	ELECTRICAL AND HOUSING
7	MEAT TABLE AND CARRIAGE
9	INDEX ASSEMBLY
11	KNIFE ASSEMBLY
13	SHARPENER ASSEMBLY

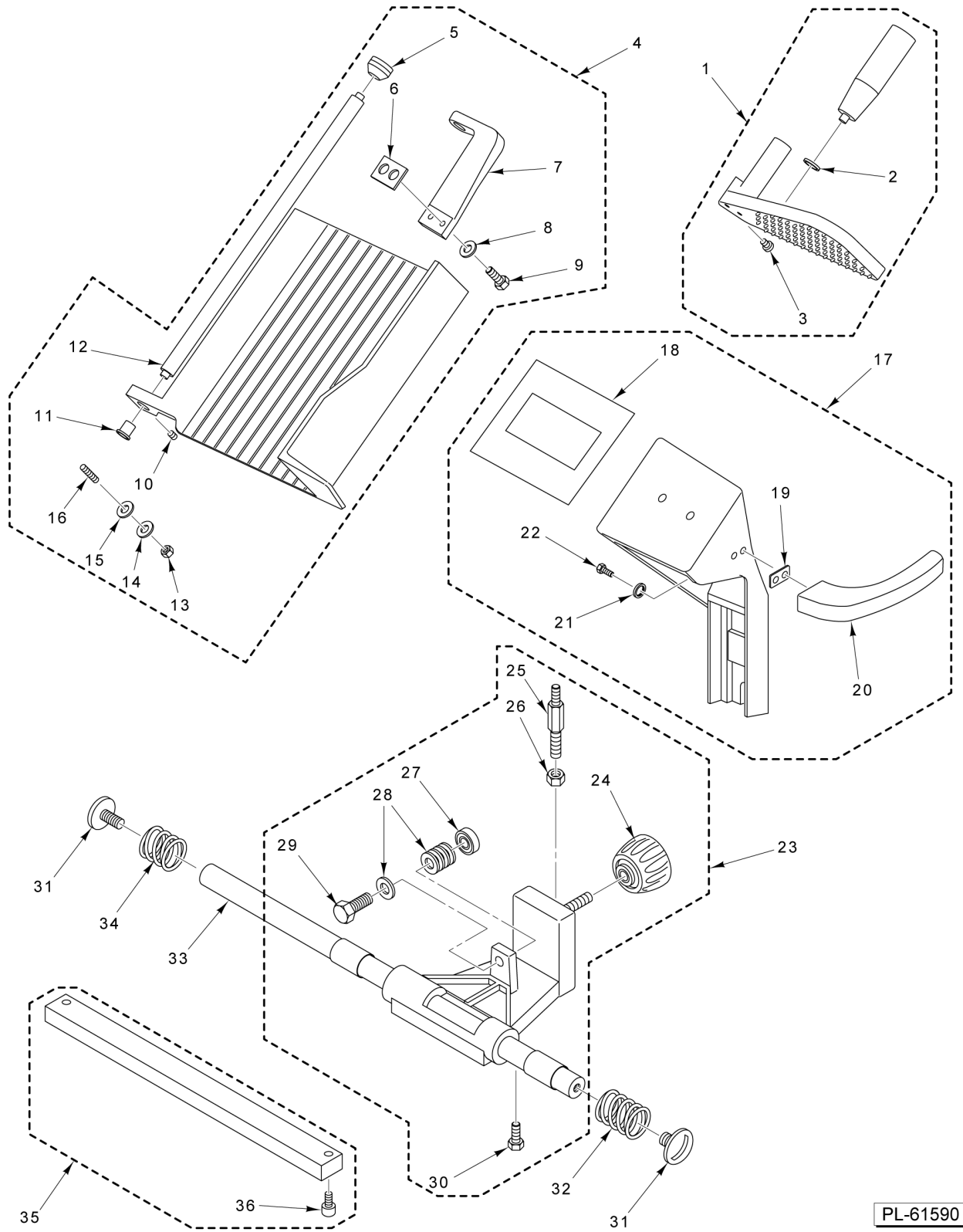


PL-61589

ELECTRICAL AND HOUSING

ELECTRICAL AND HOUSING

ILLUS.	PART NO.	NAME OF PART	AMT.
PL-61589			
1	01-403375-01440	Rod, Center Plate (With Knob).....	1
2		Nut 5589 6.....	1
3		Screw - Set 5923 8 8.....	2
4		Screw - Set 5923 6 8.....	1
5		Nut 5589 6.....	2
6		Screw - Set 5923 6 16.....	2
7	00-937907	Pin.....	1
8	01-40827A-10000	Deflector - Slicer.....	1
9	00-915491	Bushing.....	1
10	00-937908	Gasket.....	1
11	01-400827-00093	Foot - Rubber.....	4
12	00-938815-00013	Kit - Switch Assy. (Incls. Items 13 & 14).....	1
13	00-915955	Boot - Switch.....	1
14	00-915959	Nut M22 x 1.....	1
15	00-938845-00011	Kit - Protection Box Assy. (Incls. Item 16).....	1
16		Screw 6954 4.2 13.....	2
17	00-915502	Capacitor (18mF).....	1
18	00-938845-00010	Kit - Capacitor Box Assy. (Incls. Items 19 thru 21).....	1
19		Screw.....	2
20		Washer 6593 5.....	1
21		Screw 5739 5 10.....	1
22		Screw 6954 4.7 12.....	1
23	00-915508	Clamp.....	1
24	00-938815-00012	Kit - Motor Service Assy. (Incls. Items 25 thru 32).....	1
25		Screw 5931 8 14.....	1
26		Washer 6592 8 24.....	3
27		Nut 5589 8.....	3
28	01-400825-00055	Plate.....	1
29	01-40827A-00053	Rod - Tie.....	1
30	01-400827-00062	Screw.....	1
31		Nut 5588 5.....	1
32		Screw 5931 8 110.....	1
33	01-400827-0066B	Belt - Ribbed (Flat).....	1
34	00-915498	Cord - Power.....	1
35	00-938506	Plate - Locking.....	1

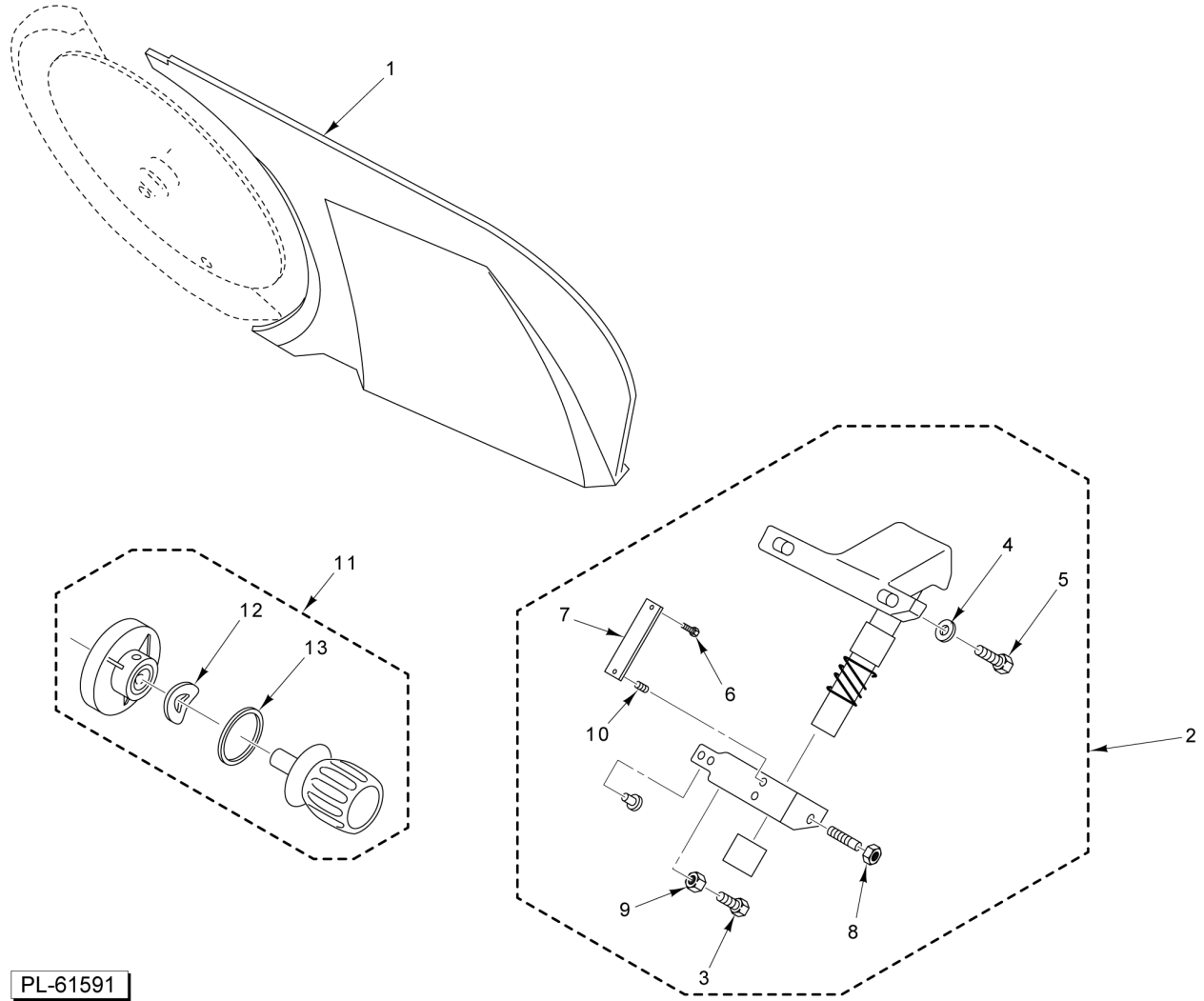


PL-61590

MEAT TABLE AND CARRIAGE

MEAT TABLE AND CARRIAGE

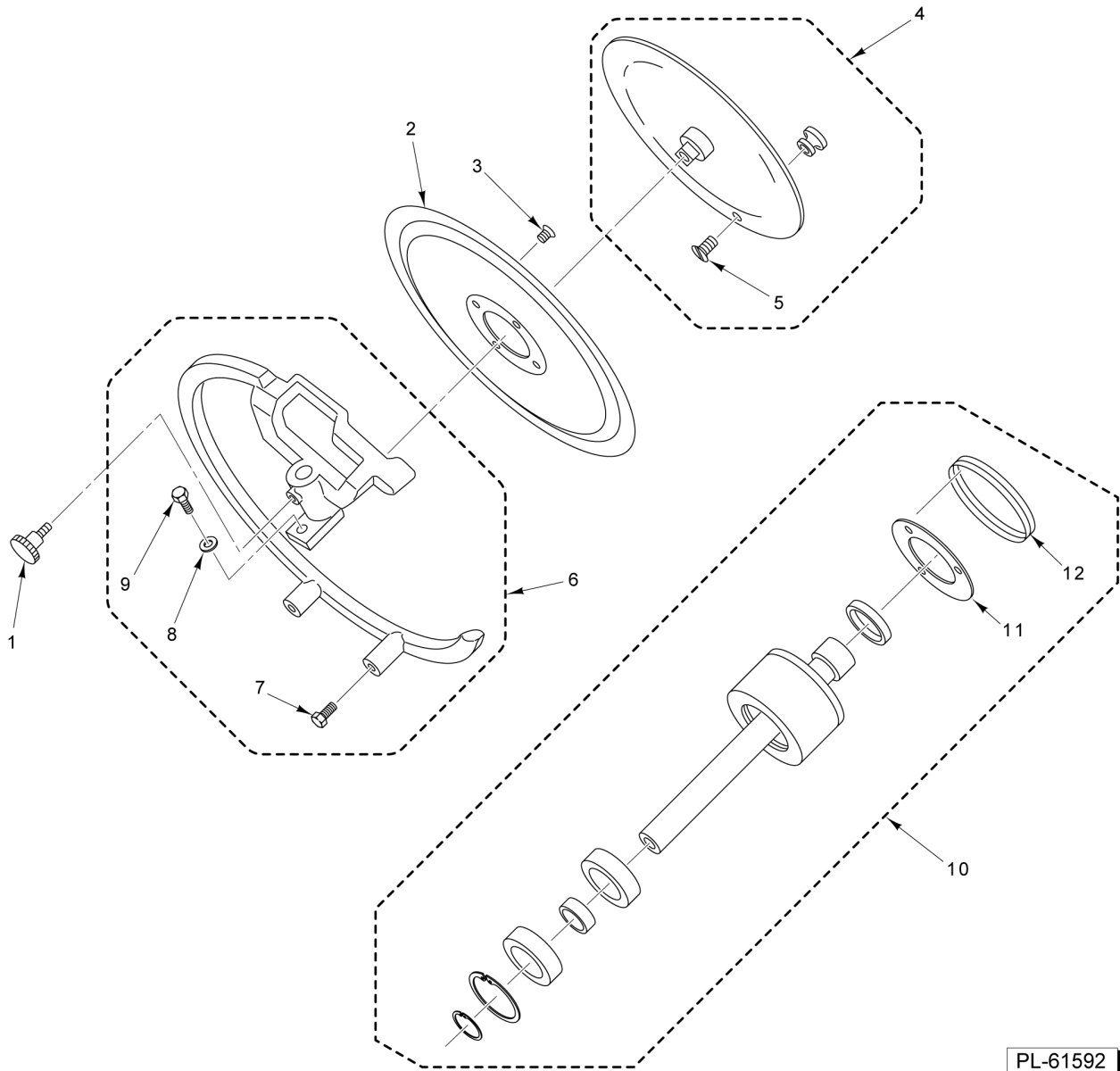
ILLUS.	PART NO.	NAME OF PART	AMT.
1	00-938815-00004	Kit - Meat Pusher Assy. (Incls. Items 2 & 3)	1
2	01-403275-00249	Gasket - Pusher Handle	1
3	01-400827-00082	Retainer	1
4	00-938815-00005	Kit - Product Tray Assy. (Incls. Items 5 thru 16)	1
5	01-042275-00647	Knob (Red)	1
6	01-40823E-10009	Gasket - Extension	1
7	01-403875-00302	Bracket, Red Extension	1
8		Washer 6592 6	2
9		Screw 5739 6 20	2
10		Screw - Set 5923 8 10	1
11	00-915452	Bushing	1
12	01-40827A-10006	Rod	1
13		Nut 5589 6	2
14	01-40827A-10011	Washer (Aluminum)	1
15	01-40823E-10014	Washer - Gasket	1
16	01-40825A-10004	Screw	2
17	00-938815-00006	Kit - Tray Support Assy. (Incls. Items 18 thru 22)	1
18	01-40827A-10009	Gasket - Tray Support	1
19	01-40823E-10016	Gasket - Carriage Handle	1
20	01-403875-00303	Handle, Red Carriage	1
21		Washer 1751 6	2
22		Screw 5739 6 14	2
23	00-938815-00008	Kit - Carriage Assy. (Incls. Items 24 thru 30)	1
24	01-402275-00641	Knob, Red Carriage	1
25	01-40825A-10005	Spacer	1
26		Nut 5589 8	1
27	01-400827-00015	Bearing	1
28		Washer 6592 10 21	2
29	00-938005-00033	Screw	1
30	01-400827-00129	Screw (Nylon)	1
31	01-400827-00050	Screw - Round Rail	1
32	01-400827-00020	Spring	1
33	00-915470	Bar - Round	1
34	01-40827A-10012	Spring	1
35	00-938815-00007	Kit - Square Bar Assy. (Incls. Item 36)	1
36		Screw 5931 6 20	2



INDEX ASSEMBLY

INDEX ASSEMBLY

ILLUS.	PART NO.	NAME OF PART	AMT.
PL-61591			
1	01-40827A-10016	Plate - Gauge.....	1
2	00-938815-00009	Kit - Index Assy. (Incls. Items 3 thru 10).....	1
3	01-400827-00028	Screw (Brass).....	1
4	01-403301-03812	Washer (Aluminum).....	2
5		Screw 5739 6 30.....	2
6		Screw 5739 5 14.....	2
7	01-400827-00026	Plate.....	1
8		Nut 5589 8.....	1
9		Nut 5588 5.....	1
10		Screw - Set 5929 8 10.....	2
11	00-938845-00007	Kit - Index Knob (Incls. Items 12 & 13).....	1
12	01-400827-00095	Washer - Spring.....	1
13		Washer GR-35001027.....	1

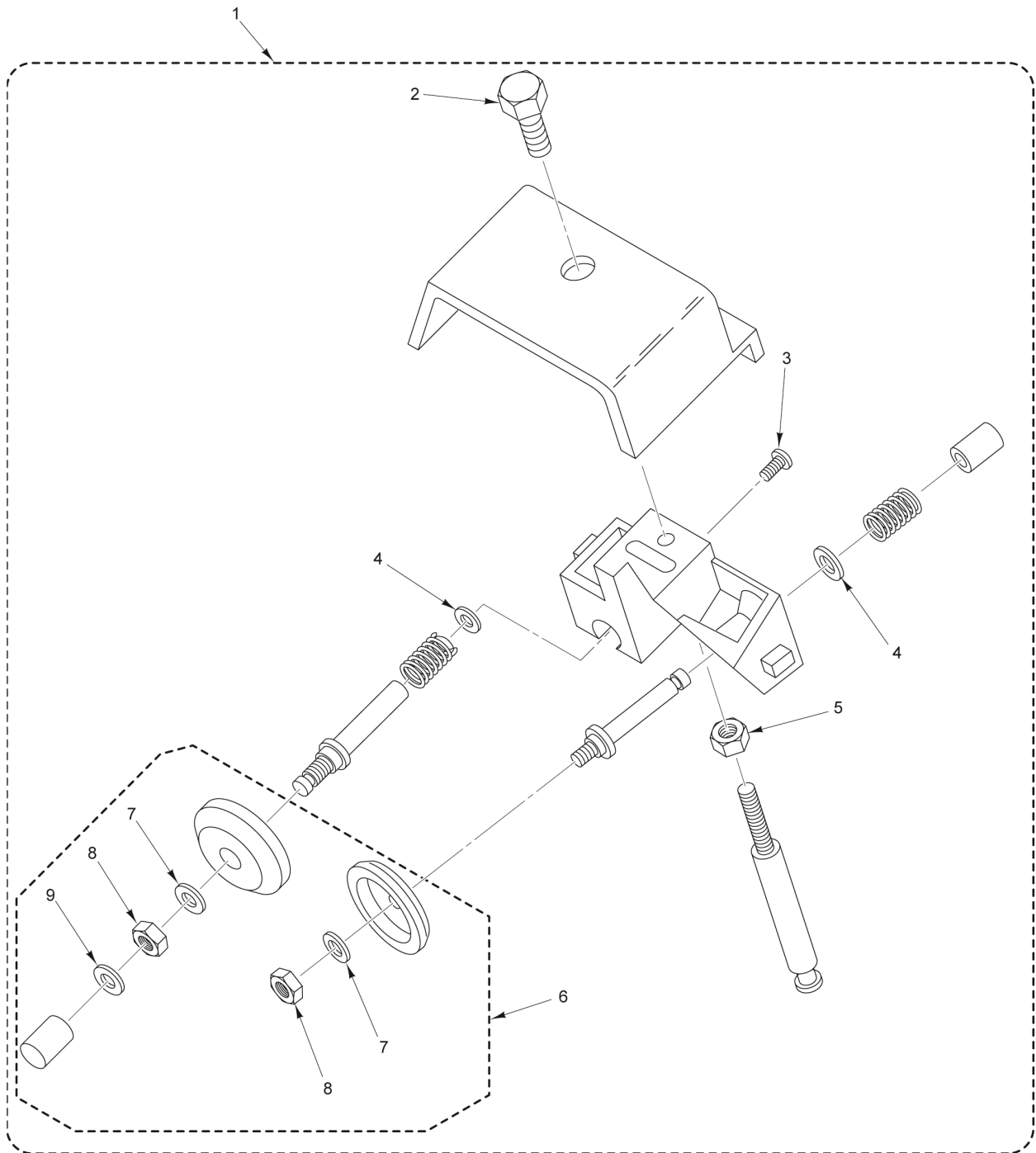


PL-61592

KNIFE ASSEMBLY

KNIFE ASSEMBLY

ILLUS.	PART NO.	NAME OF PART	AMT.
PL-61592			
1	01-402275-00643	Knob.....	1
2	00-915424	Knife (300mm).....	1
3		Screw 6109 5 12/A2.....	4
4	00-938815-00001	Kit - Blade Cover Assy. (Incls. Item 5).....	1
5		Screw - Knife 6109 5 10/A2.....	1
6	00-938815-00002	Kit - Guard Ring Assy. (Incls. Items 7 thru 9).....	1
7		Screw 5739 5 10.....	2
8		Washer 6602 6 18/A2.....	1
9		Screw 5739 6 20.....	1
10	00-938815-00003	Kit - Pulley Assy. (Incls. Items 11 & 12).....	1
11	01-40829E-00403	Ring.....	1
12	01-40829E-00404	Seal - Rubber.....	1



PL-61593

SHARPENER ASSEMBLY

SHARPENER ASSEMBLY

ILLUS.	PART NO.	NAME OF PART	AMT.
PL-61593			
1	00-938815-00010	Kit - Sharpener Assy. (Incls. Items 2 thru 8).....	1
2	01-400829-00050	Screw.....	1
3		Screw 6109 4 8.....	1
4		Washer.....	2
5		Nut 5588 8.....	1
6	00-938815-00011	Kit - Sharpening Stone (Incls. Items 7 & 8).....	1
7	01-40300m-0014	Washer.....	2
8		Nut 5589 6.....	2
9		Washer 6592 5.....	1

