



# GMB Bread Slicer

- Frame (Front View)
- Frame (Side View)
- Base
- Chute (Front View)
- Chute (Side View)
- Chute (Top View)
- Motor
- Crankshaft
- Blade (Front View)
- Blade (Side View)

4575-00669

3175-00153

Berkel

2.65

3475-00621

4575-00787

2275-00433

3675-00211

3675-00211

2175-03442

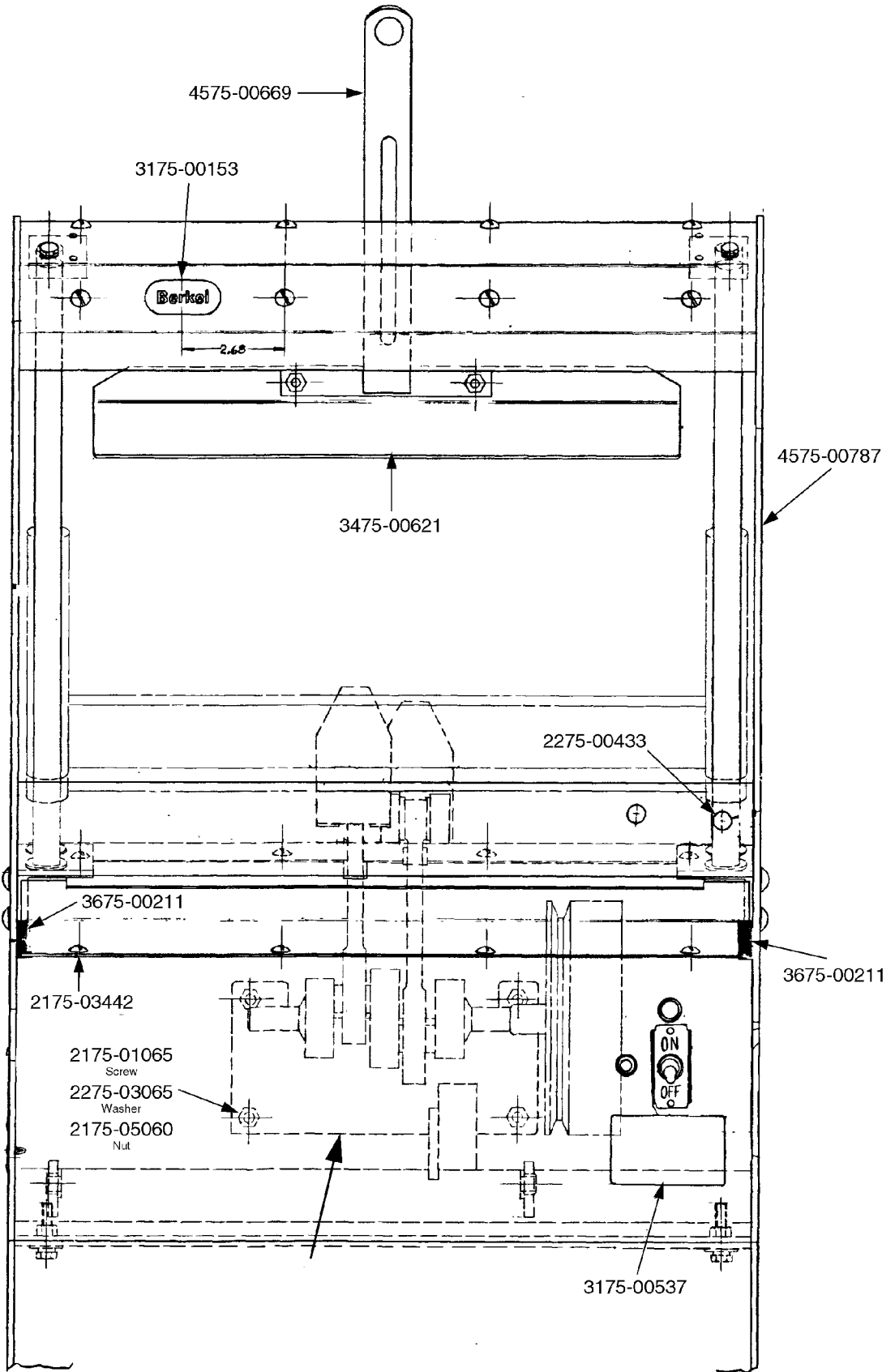
2175-01065  
Screw

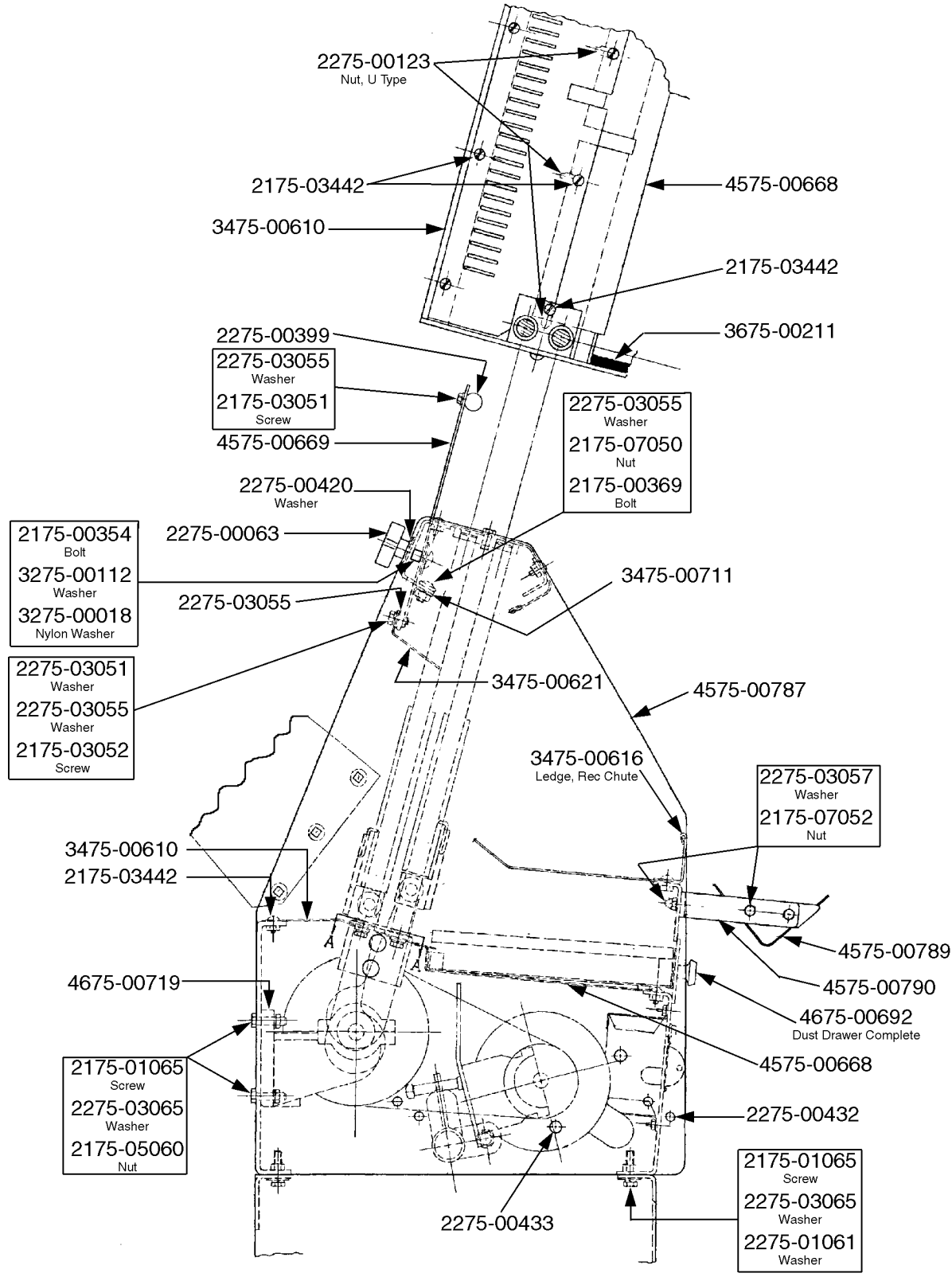
2275-03065  
Washer

2175-05060  
Nut



3175-00537



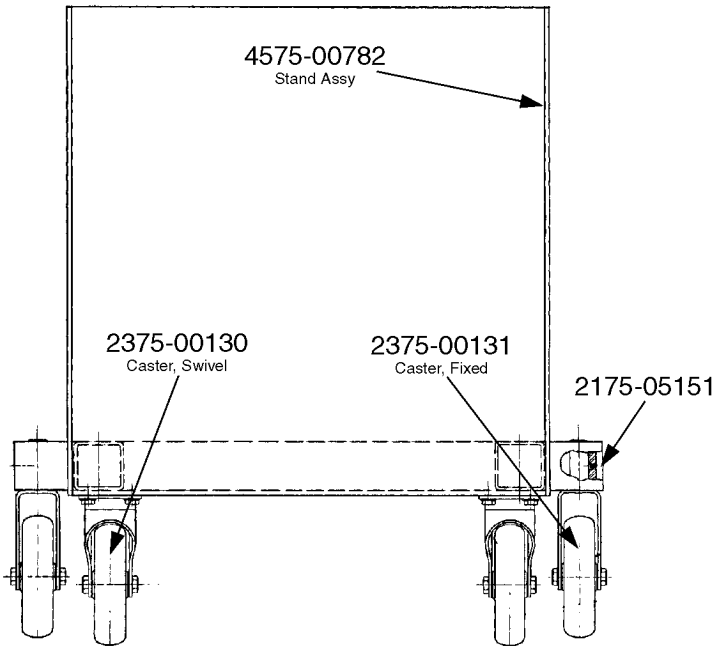


4575-00782  
Stand Assy

2375-00130  
Caster, Swivel

2375-00131  
Caster, Fixed

2175-05151



2175-01062  
Screw

2275-01060  
Washer

2275-01065  
Lock Washer

2175-05060  
Nut

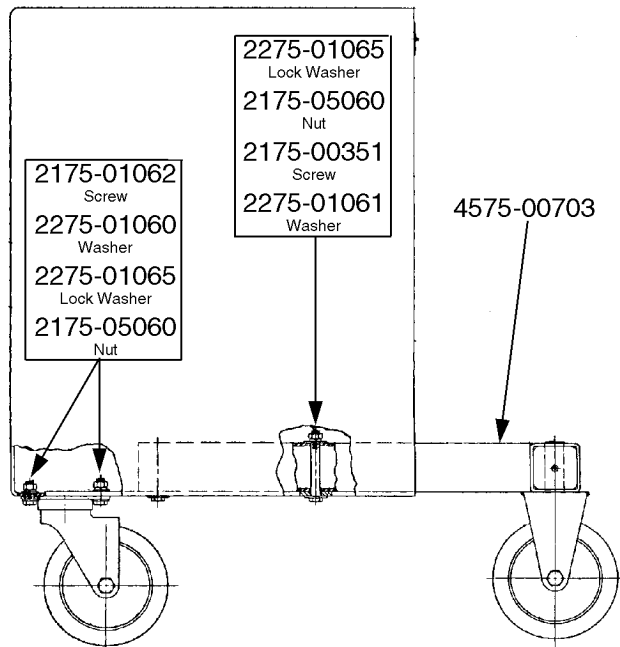
2275-01065  
Lock Washer

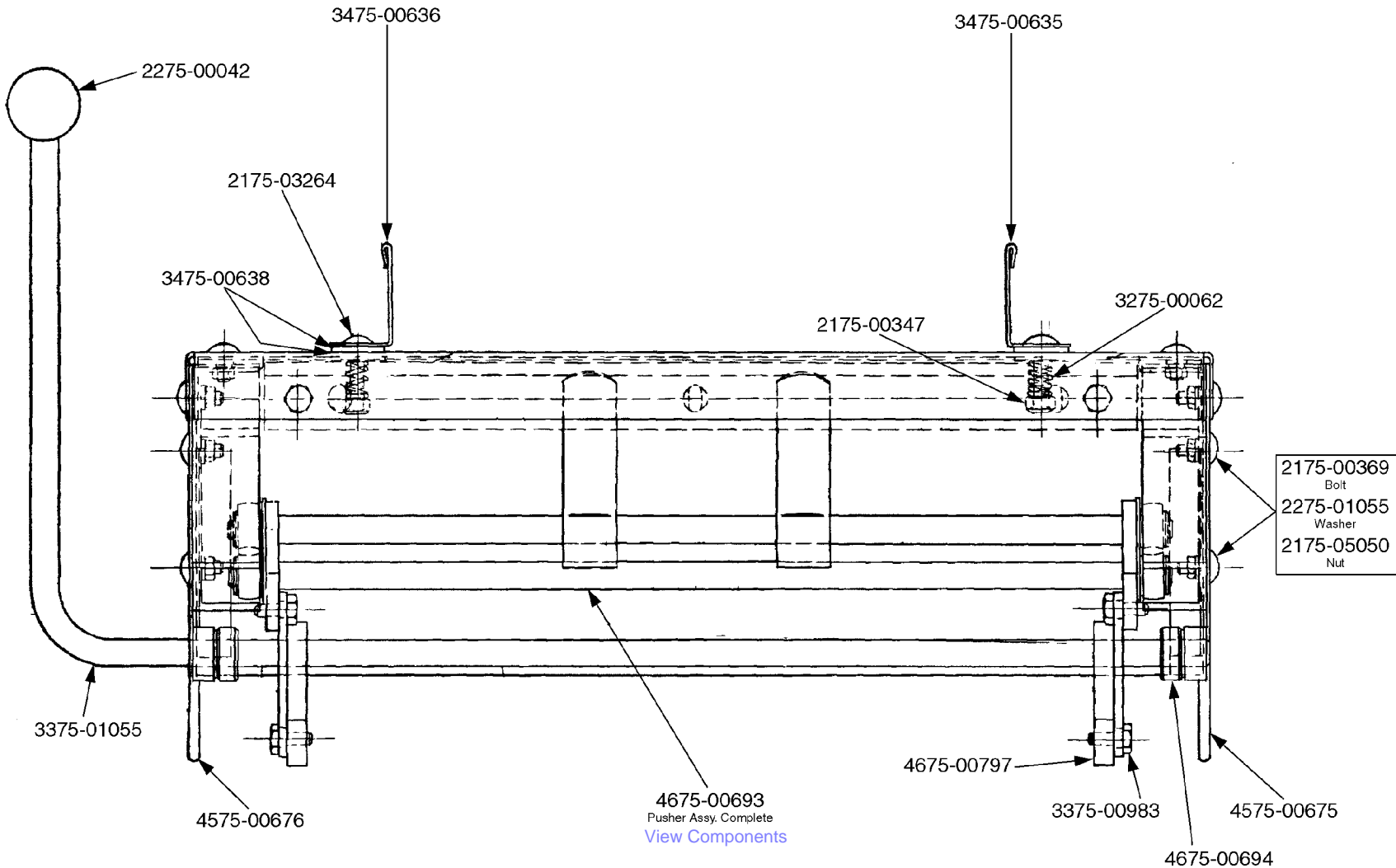
2175-05060  
Nut

2175-00351  
Screw

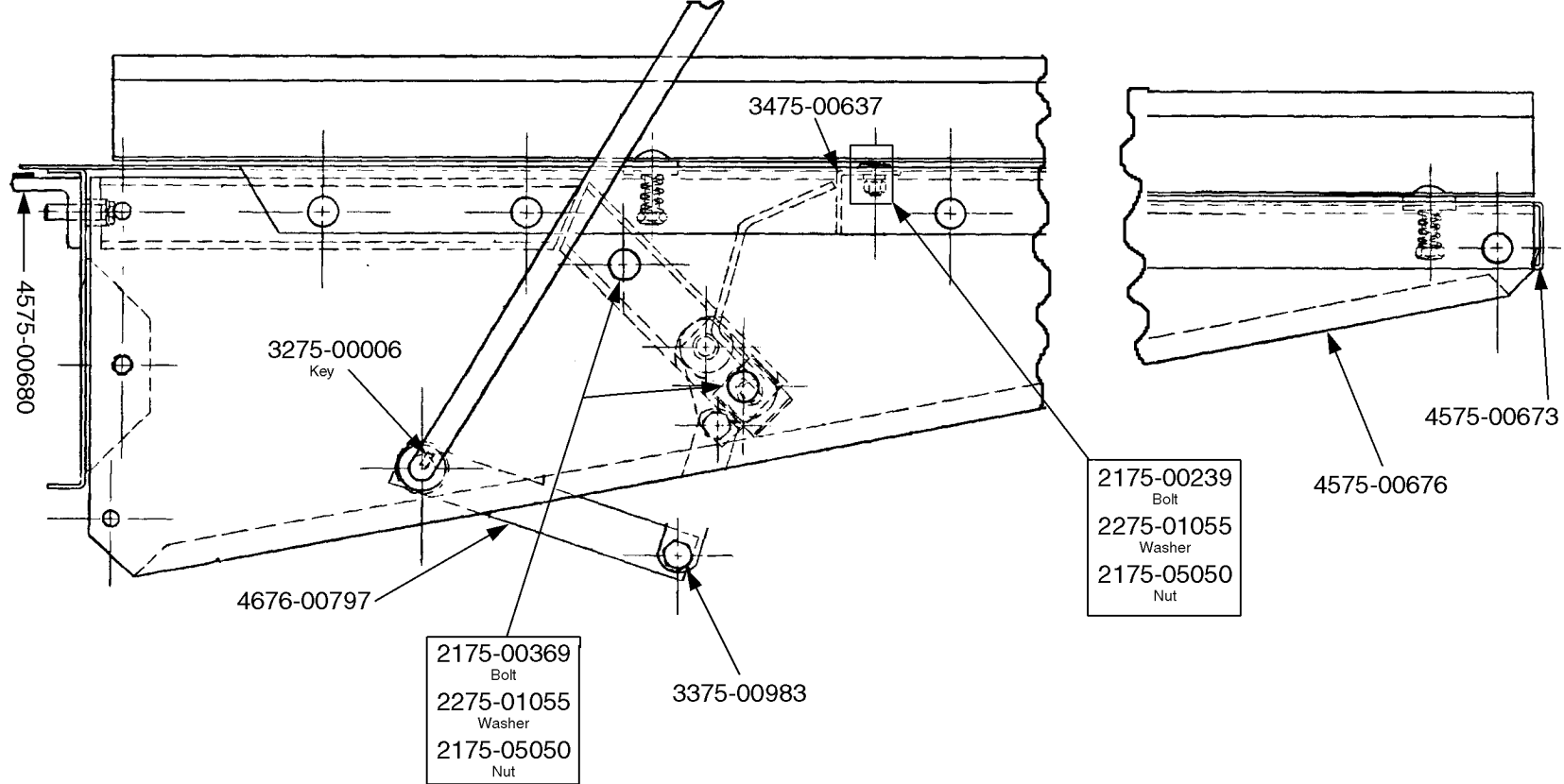
2275-01061  
Washer

4575-00703





- |            |        |
|------------|--------|
| 2175-00369 | Boit   |
| 2275-01055 | Washer |
| 2175-05050 | Nut    |



3375-00971

3375-00972

2175-00369  
Bolt  
2275-01055  
Washer  
2175-05050  
Nut

2175-00396  
Bolt  
2275-01055  
Washer  
2175-05050  
Nut

3375-00973

2175-00239  
Bolt  
2275-01055  
Washer  
2175-05050  
Nut

SILICON SEAL BEAD 4" LONG IN  
CENTER OF ITEM #29 TO KEEP  
CHUTE FROM RATTLING.

2175-03264

4675-00694

2375-00123

3375-00974

2175-00239  
Bolt  
2275-01055  
Washer  
2175-05050  
Nut

3475-00635

4575-00673

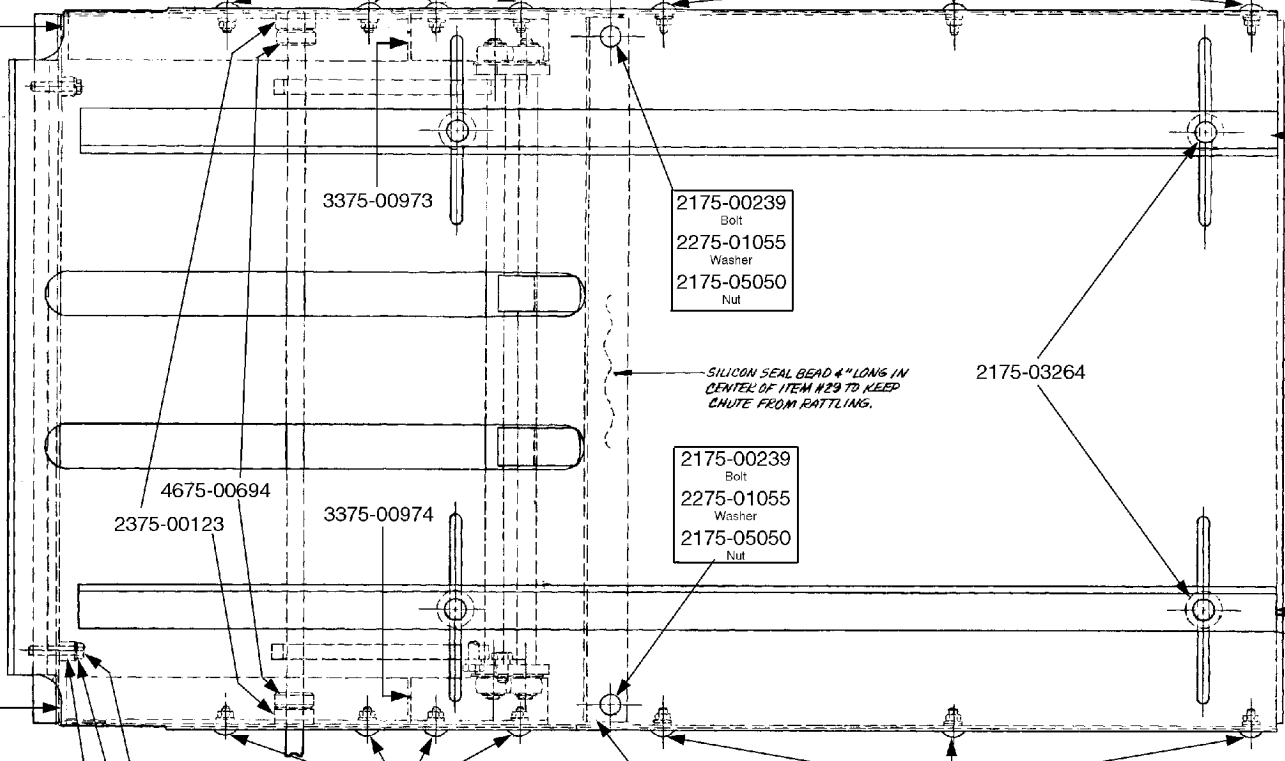
3475-00636

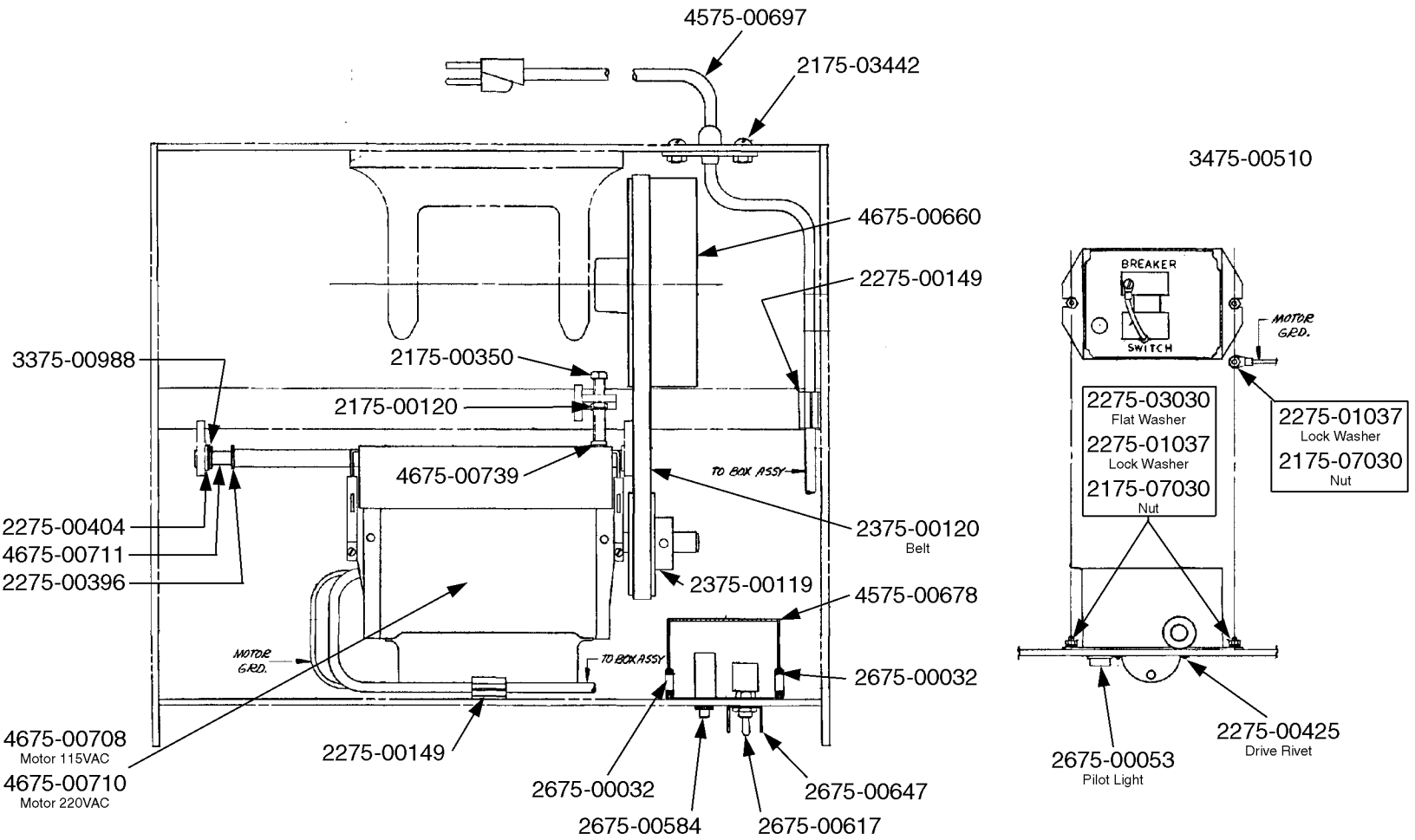
2175-00369  
Bolt  
2275-01055  
Washer  
2175-05050  
Nut

3475-00637  
Pusher Stop

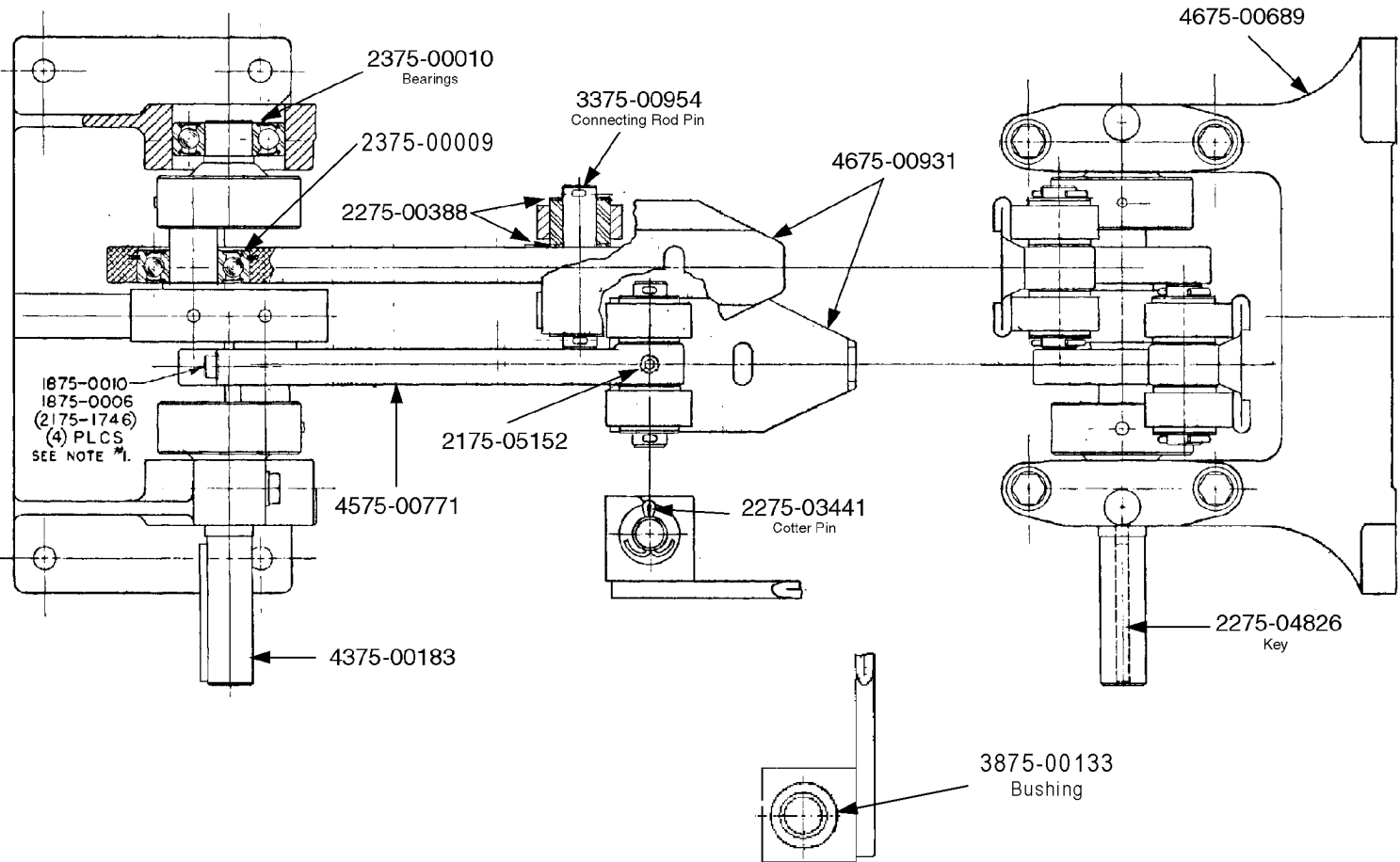
2175-00396  
Bolt  
2275-01055  
Washer  
2175-05050  
Nut

2175-01056  
2275-01055  
2275-01059



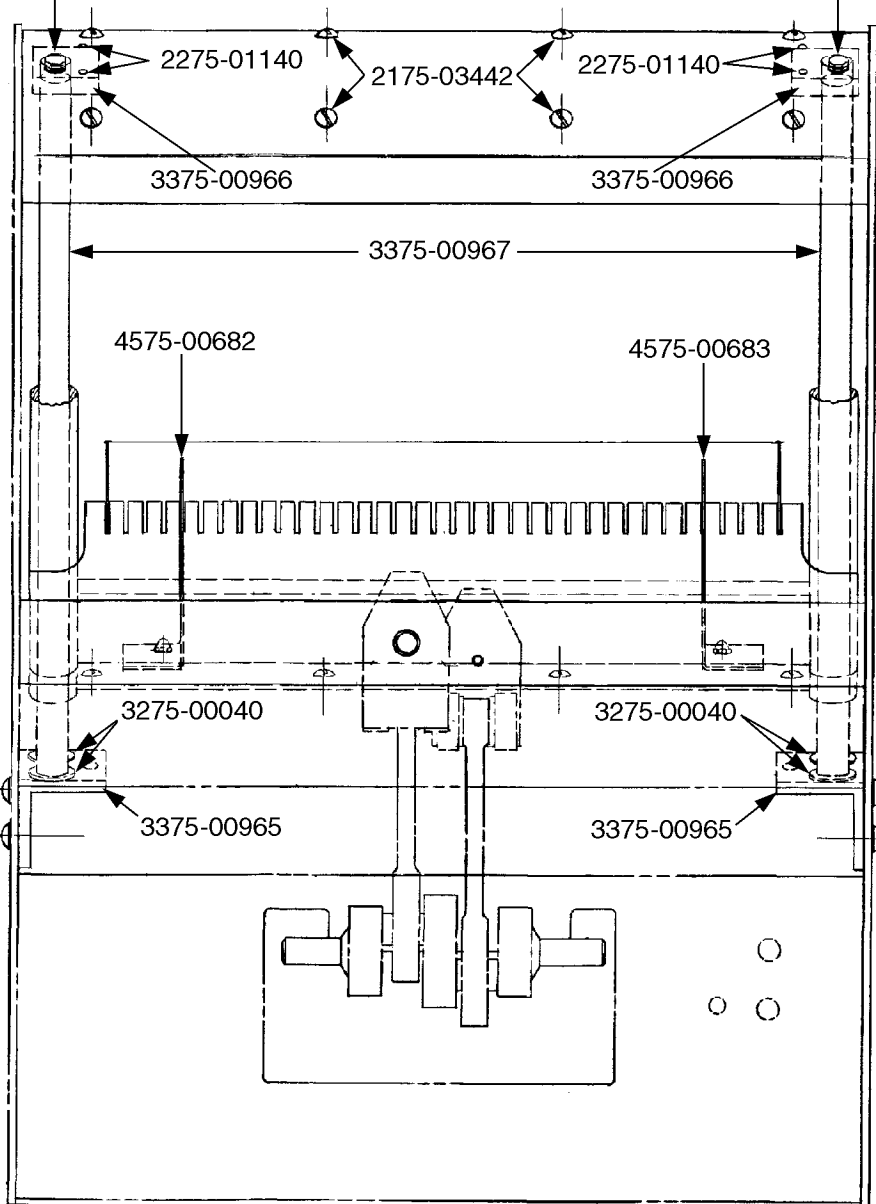


# 4675-00719 Crankshaft & Yoke Assy.



2175-03051  
Bolt  
2275-03055  
Lock Washer  
3475-00405  
Washer

2175-03051  
Bolt  
2275-03055  
Lock Washer  
3475-00405  
Washer





4575-00693

Std. Blade

4575-09693

Chrome Blade

4575-00968

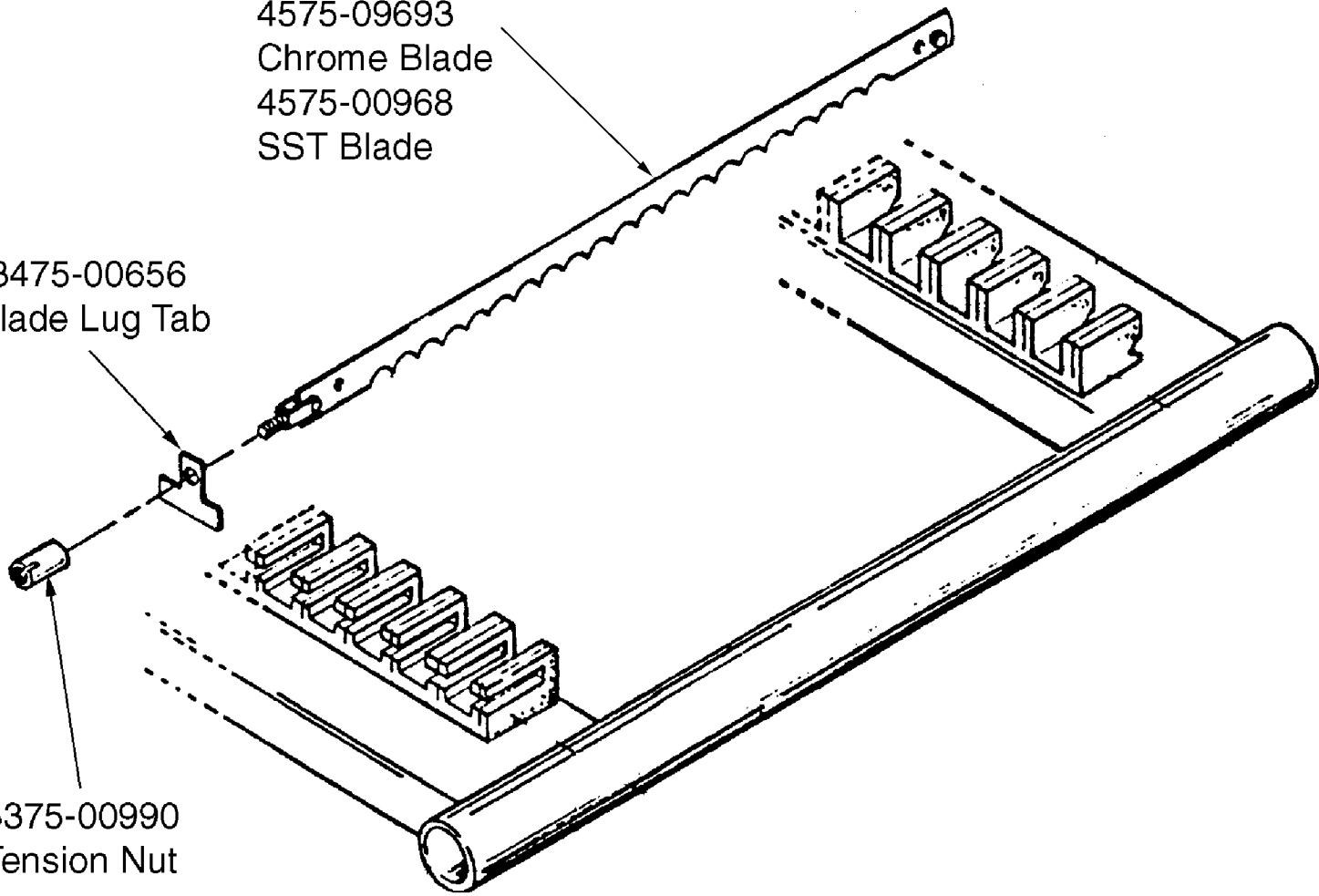
SST Blade

3475-00656

Blade Lug Tab

3375-00990

Tension Nut



# Pusher Assembly Complete (4675-00693)

