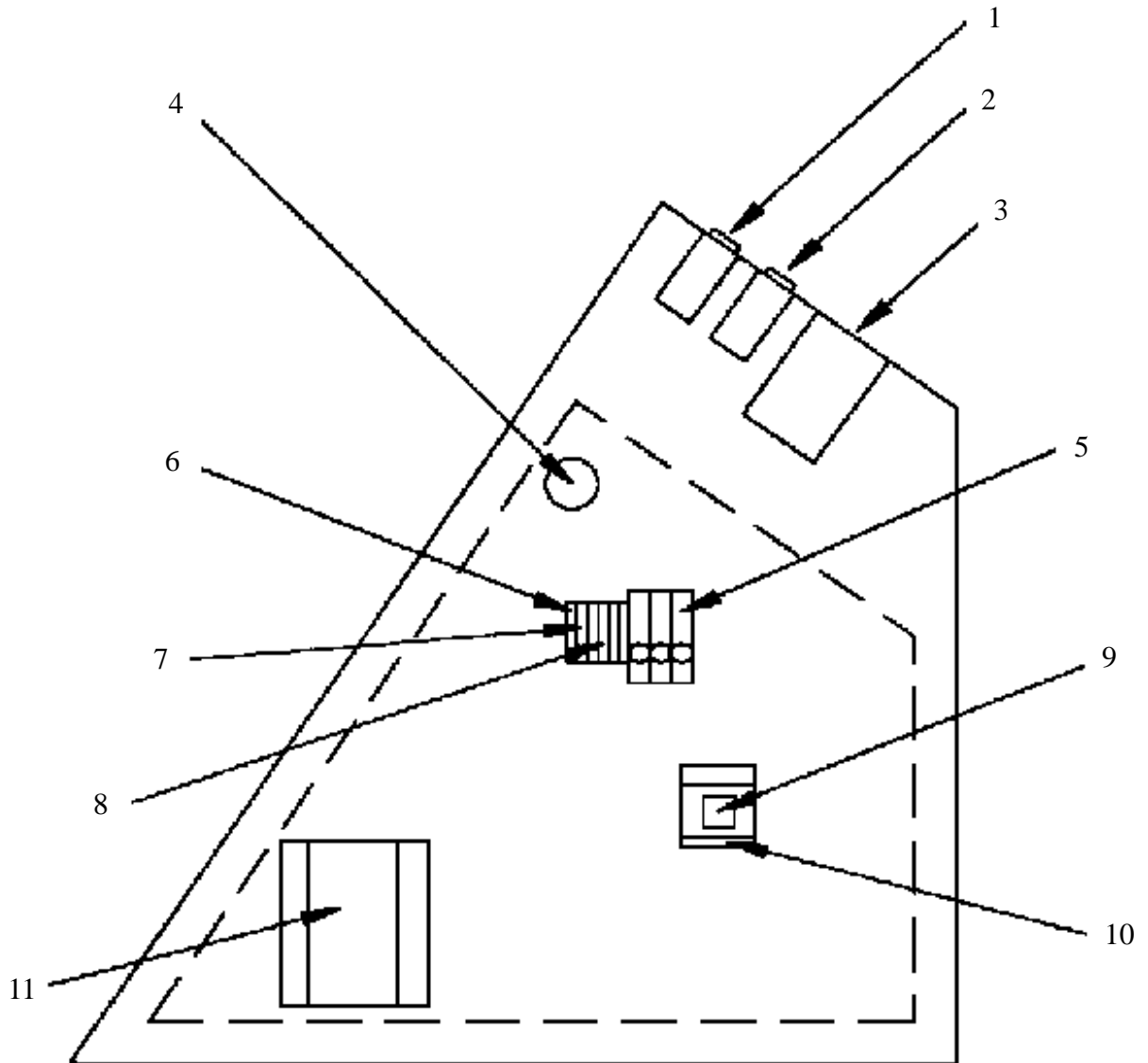
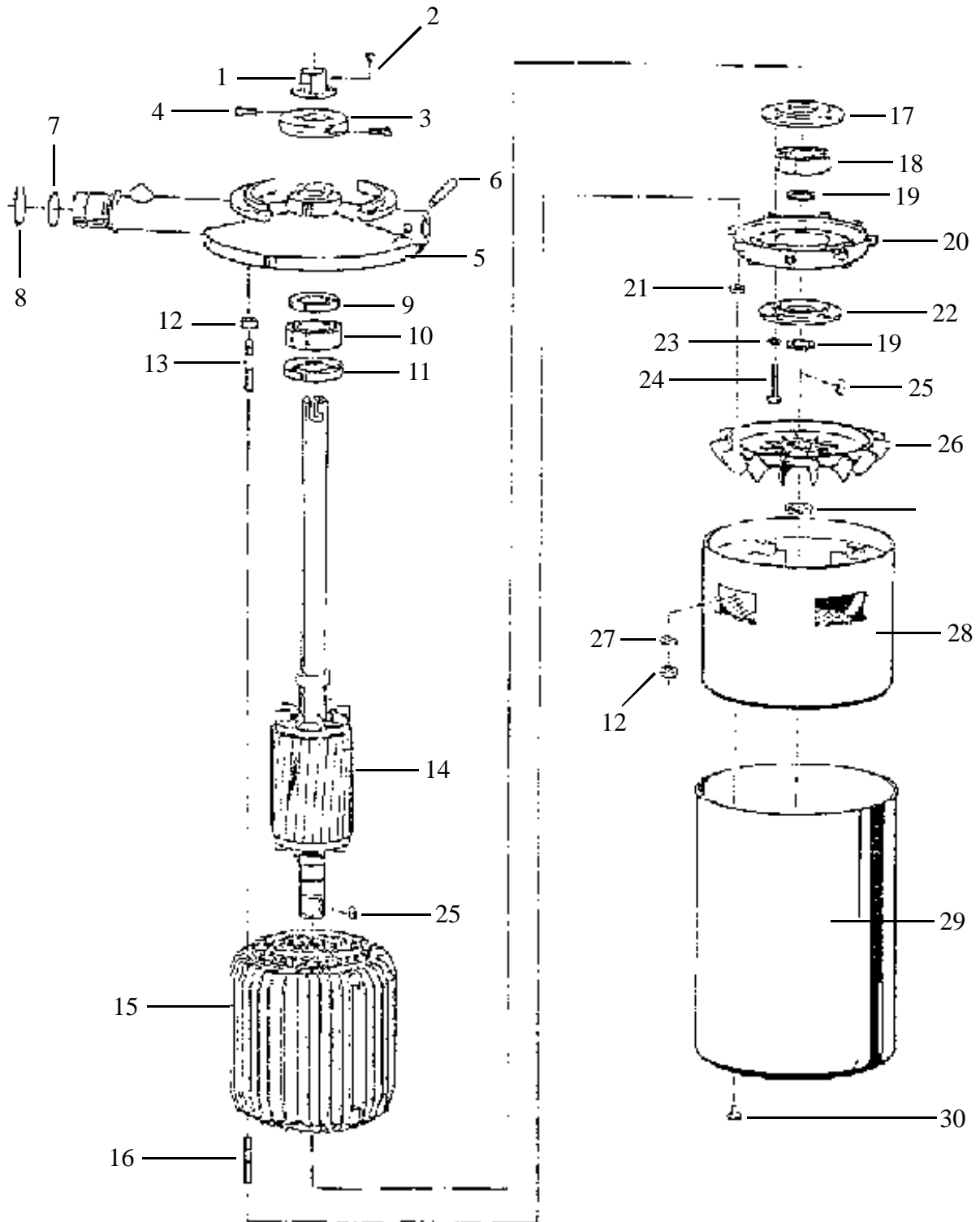


Electrical Components



1	Control Lamp	3-Q6000-10
2	Pushbutton, Start	3-Q6032-11
	Pushbutton, Stop	3-Q6032-10
3	Timer	3-Q4020-03
4	Insulating Sleeve 1"	
5	Fuse Holder	3-Q0510-21
6	Ground Terminal	3-Q0515-21
7/8	Terminal	3-Q0520-09
9	Auxiliary Contactor - Dil 20	SM6240
10	Contactor - Dil 1M	3-Q4530-19
11	Transformer - 220 Volts	3-Q8000-56
11	Transformer - 440 Volts	3-Q8001-89
N/S	Cap for Pushbutton	SM6120
N/S	Bulb - Control Lamp	3-Q0098-01

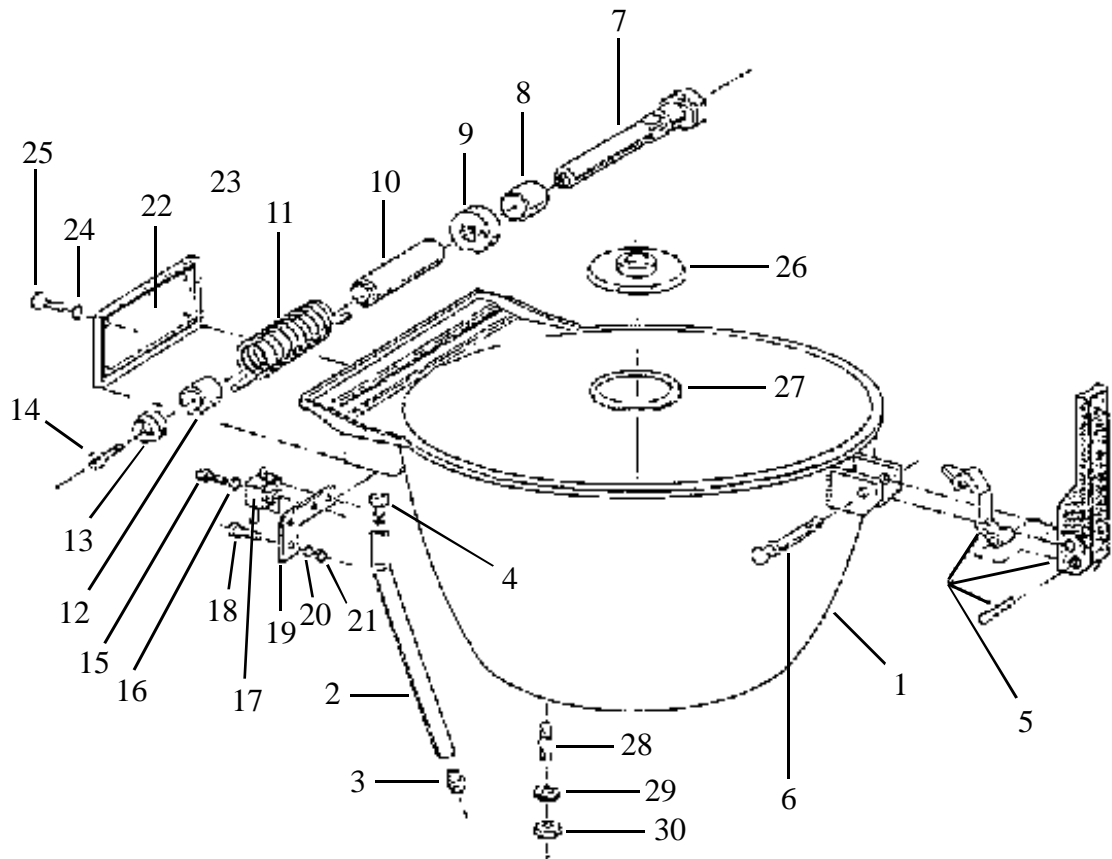
Main Motor



Main Motor

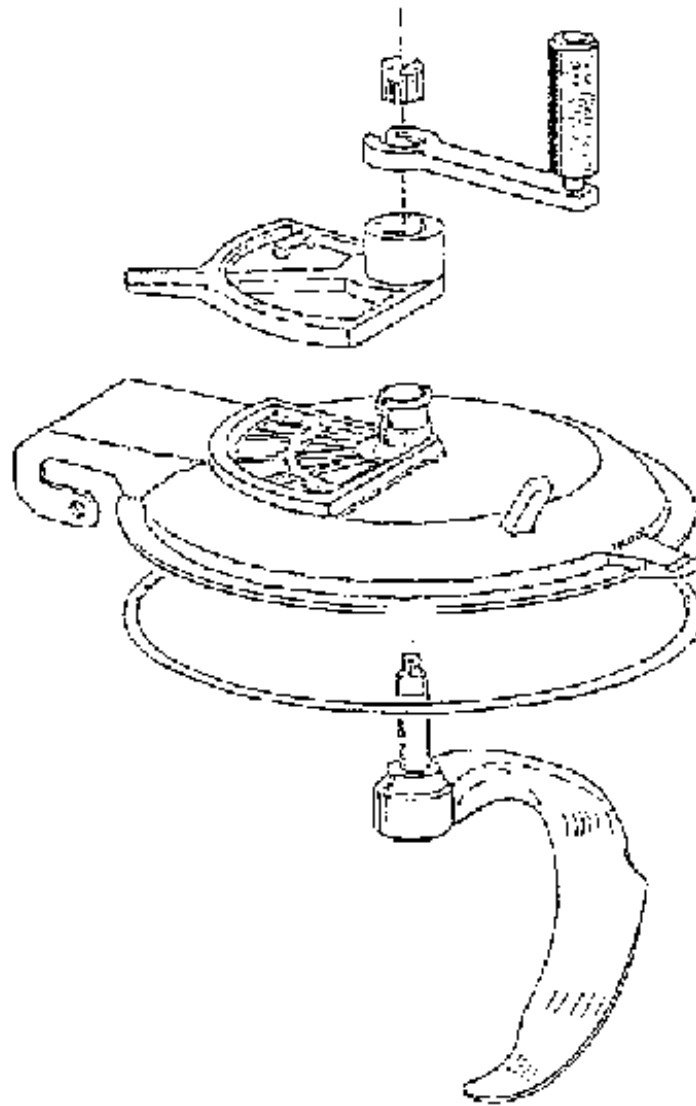
No.	Description	Part Number
1	Sleeve	3-K0502-01
2	Screw	3-S0092-02
3	Splash Plate	3-K1101-05
4	Screw	3-S0062-04
5	Bearing Shield	3-K4614-04
6	Taper Pin	3-S0275-10
7	"O" Ring	3-I0001-10
8	"C" Ring	3-S0290-02
9	Shaft Seal Ring	3-I0050-16
10	Roller Bearing	3-S2010-01
11	Shaft Seal Ring	3-I0050-29
12	Nut	3-S0200-03
13	Bolt	3-S0121-01
14	Rotor	3-C4513-01
15	Stator	
16	Bolt	3-S0122-02
17	Inner Bearing Cap	3-K4550-04
18	Ball Bearing	3-S2001-21
19	"C" Ring	3-S0290-16
20	Bearing Shield	3-K4634-04
21	Nut	3-S0203-01
22	Bearing Cover	3-K4550-02
23	Lock Washer	3-S0246-02
24	Screw	3-S0011-01
25	Key (8 x 7x 32)	3-S0280-05
26	Fan	3-C6001-01
27	Lock Washer	3-S0246-04
28	Fan Cover	3-C6055-01
29	Motor Cover	3-L0002-14
30	Screw	3-S0056-01

Bowl



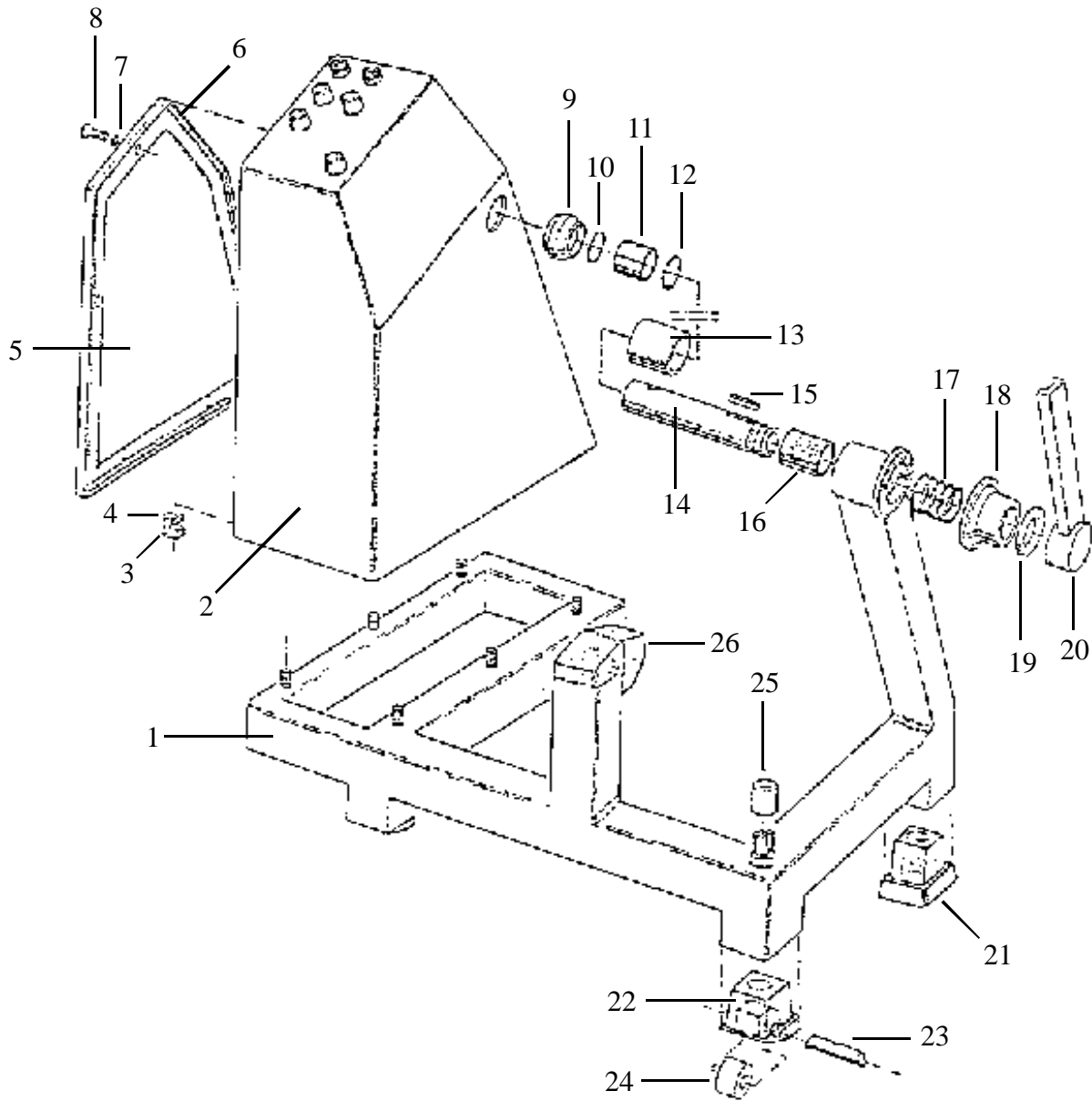
No.	Description	Part Number	No.	Description	Part Number
1	Bowl	3-B0210-01	15	Screw	3-S0041-05
2	Cable Tube	3-M0020-01	16	Lock Washer	3-S0246-01
3	Guide Bushing	3-K0530-50	17	Switch	3-Q6021-01
N/S	"O" Ring	3-I0001-07	18	Screw	3-S0001-03
4	Guide Bushing	3-K0530-51	19	Switch Plate	3-L0806-02
5	Locking Lever, Complete	3-G0025-01	20	Lock Washer	3-S0246-02
6	Bolt	3-K2556-01	21	Nut	3-S0200-03
7	Lid Bolt	3-K2426-01	22	Cover	3-M2282-02
8	Bearing Bushing	3-K0401-04	23	Cover Seal	3-T4004-02
9	Curved Disc	3-K0712-01	24	"O" Ring	3-I0001-02
10	Bushing	3-K0531-02	25	Screw	3-S0102-05
11	Torsion Spring	3-M6003-04	26	Sealing Cap w/Gasket and "O" Ring	3-K1012-03
12	Bearing Bushing	3-K0401-03	27	"O" Ring	3-I0007-04
13	Cap	3-K0307-02	28	Stud Bolt	3-S0122-07
14	Screw	3-S0102-02	29	Lock Washer	3-S0246-05
			30	Nut	3-S0200-06

Lid



No.	Description	Part Number
1	Lid Complete	3-B6220-02
2	Lid Seal	3-I0100-01
3	View Window Comp.	3-M4023-03
4	Seal for View Window	3-I0112-02
5	Crank Handle Comp.	3-G0051-02
6	Nut for Handle	3-K0027-01
7	Mixing Baffle	3-D2022-01

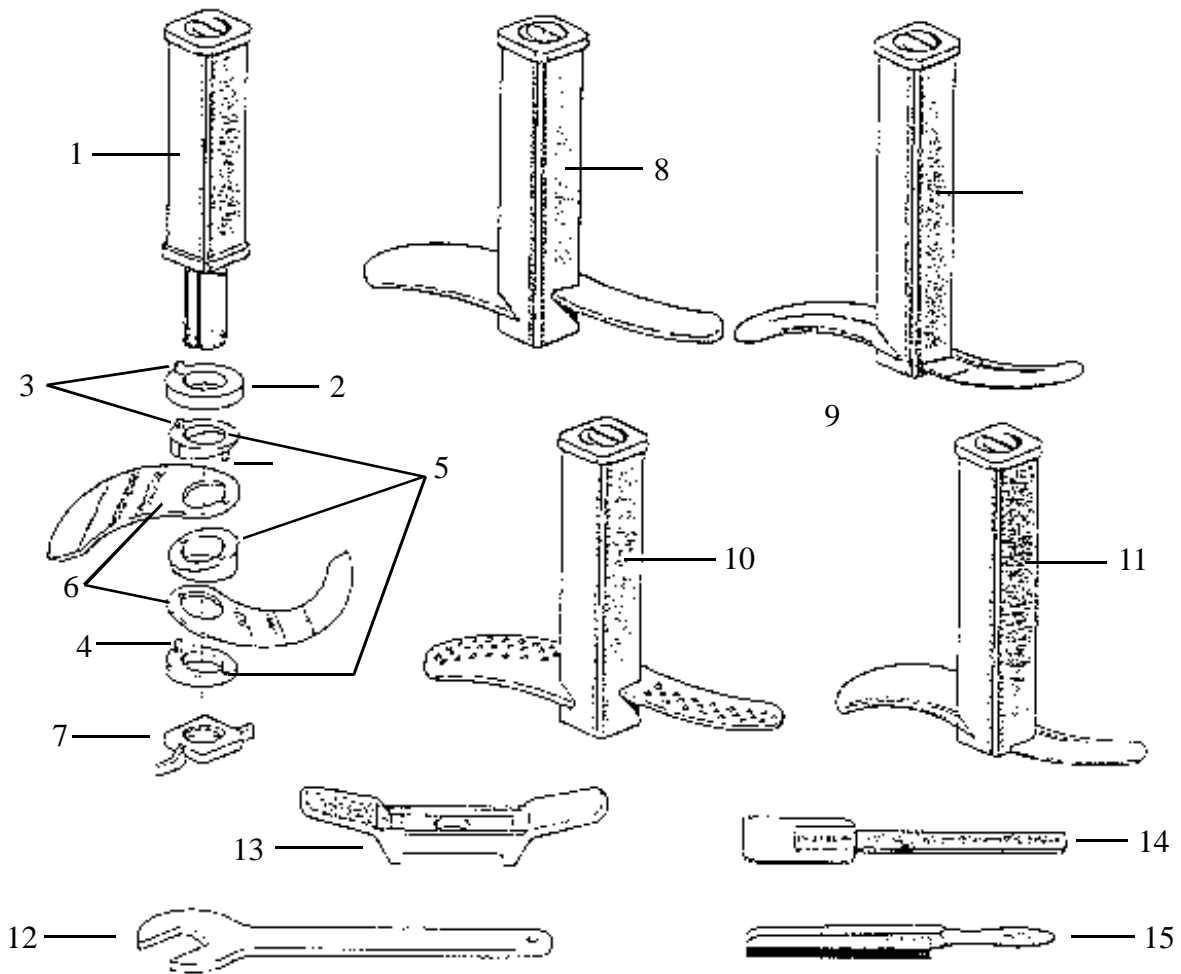
Support and Switch Housing



Support and Switch Housing

No.	Description	Part Number
1	Support	3-A2010-01
2	Switch Housing	3-F0030-xx
3	Nut	3-S0200-05
4	Lock Washer	3-S0246-04
5	Door	3-F0021-01
6	Rubber Seal (2.5M)	3-T4004-04
7	“O” Ring	3-I0001-04
8	Screw	3-S0102-08
9	Bearing	3-K0530-28
10	“O” Ring	3-I0004-06
11	Bearing Bush	3-K0533-08
12	Spacer Ring	3-K0200-33
13	Spacer	3-K0530-08
14	Bolt	3-K2591-01
15	Key	3-S0284-02
16	Bearing Bush	3-K0535-03
17	Spring	3-M6001-22
18	Locking Disc	3-K0738-01
19	Disc 2.5mm	3-K0200-25
	Disc 3.0mm	3-K0200-26
	Disc 3.5mm	3-K0200-27
	Disc 4.0mm	3-K0200-28
	Disc 4.5mm	3-K0200-29
20	Locking Lever	3-M2450-02
21	Rubber Foot	3-M4057-02
22	Rubber Foot for Roller	3-M4057-04
23	Bolt	3-K2225-01
24	Roller	3-K0535-04
25	Rubber Cap	3-M4072-02
26	Rubber Bumper	3-M4065-02

Knife Inserts and Accessories



No.	Description	Part Number
1	Knife Shaft	3-D0150-02
2	Pressure Ring	3-K0310-02
3	Pin	3-K2035-03
4	Pin	3-K2035-05
5	Slant Ring w/Pins	3-K0315-01
6	2 Narrow Knives	3-D0006-01
	2 Wide Knives	3-D0007-01
	2 Narrow Wave Cut Knives	3-D0006-02
	2 Wide Wave Cut Knives	3-D0007-02
	1 Wide & 1 Angle Bent Knife	3-D0008-01
7	Wing Nut	3-K0008-05
8	Mixing Insert	3-D4038-03
9	Stirrer, SS - Small Qty.	3-D4038-01
10	Grater	3-D4038-04
11	Stirrer/Kneader, SS	3-D4038-02
12	Open-End Wrench	3-H6002-02
13	Special Wrench	3-G6015-02
14	Dough Scraper	3-H6000-01
15	Whetstone	3-H6018-01
N/S	Stirrer/Kneader, Aluminum	3-D4037-03

