

BEVERAGE-AIR

**PARTS
MANUAL**

FOR

**EF/ER/PF/PR/PRF/PRI/PRT/PFI
PW/PWT/PWD**



ALL PURPOSE COLD ®

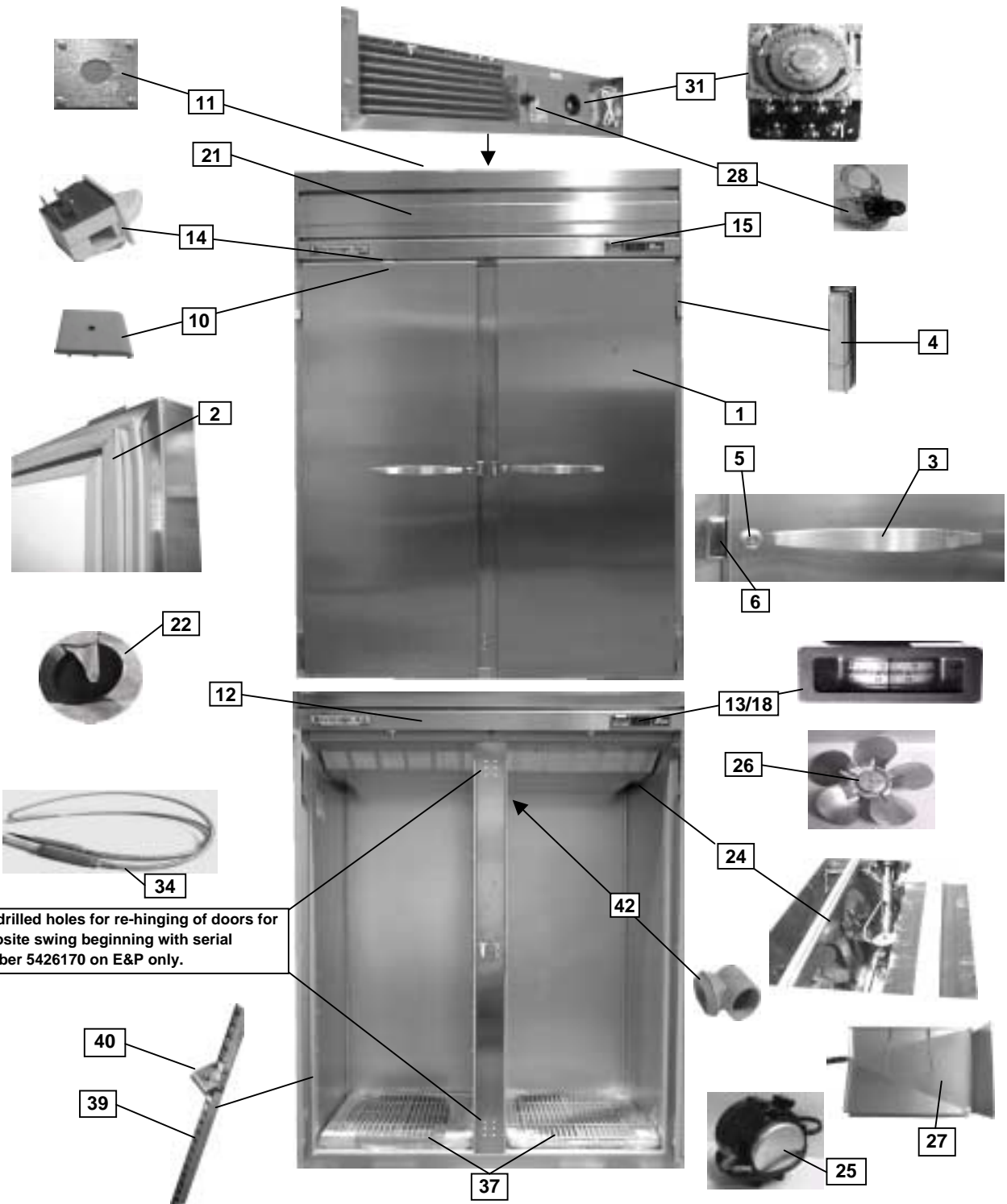
**TOP MOUNT REACH -IN/PASS -THRU
DUAL TEMP REFRIGERATORS, FREEZERS
AND WARMING CABINETS**

115V/60HZ

220V/60HZ

220V/50HZ

| PART | PAGE |
|---|-------|
| Accumulators | 10 |
| Ballast | 5 |
| Cabinet Face Heaters | 4 |
| Cabinet Heating Elements(Warming Units) | 5 |
| Capillary Tubes | 10-11 |
| Casters & Leg Kits | 3 |
| Compressor Capacitor Relay Assemblies | 15 |
| Compressor Overloads | 13-14 |
| Compressor Relays | 12-13 |
| Compressor Run Capacitors | 14 |
| Compressor Start Capicitors | 14 |
| Compressors | 12 |
| Condenser Fan Shrouds | 21 |
| Condenser Coils | 18 |
| Condenser Fan Blades | 17 |
| Condenser Fan Motors | 16 |
| Condensate Drain Pans | 19 |
| Condensing Units | 11 |
| Defrost Heaters | 21 |
| Defrost Timers | 4 |
| Distributors | 10 |
| Door Assemblies Complete | 2 |
| Door Brakers | 2 |
| Door Gaskets | 2 |
| Door Handles | 2 |
| Door Hinges | 2 |
| Door Lock Strike Plate | 2 |
| Door Locks | 2 |
| Door Sweep(Roll in/Roll Through) | 2 |
| Drain Line Heaters | 4 |
| Dryers | 20 |
| Edge-mount Hinge Switch | 4 |
| Evaporator Coil Assemblies | 8-9 |
| Evaporator Coils | 9 |
| Evaporator Drain Pans | 3-4 |
| Evaporator Fan Blades | 3 |
| Evaporator Fan Motors | 3 |
| Evaporator Housings | 3 |
| Evaporator Lid Gaskets | 4 |
| Expansion Valves | 10 |
| High Temp. Lights | 3 |
| High Temp. Limit Switch | 5 |
| Humidity Control Assy.(Warming units) | 4 |
| Humidity Controls(Warming units) | 3 |
| Instrument Panels | 3 |
| Lamps | 5 |
| Light Shields | 5 |
| Power Kill Switch(Warming Units) | 5 |
| Refrigeration Assemblies | 8 |
| Shelving | 5 |
| Strike Plate for light switch | 2 |
| Suction Line Assemblies | 9-10 |
| Temperature Controls | 4 |
| Temperature indicators | 3 |
| Terminal Boards | 4 |
| Top Grilles | 3 |
| Vacuum Vents | 2 |



REACH IN REFRIGERATORS/FREEZERS/ROOL-IN/ROOL-THRU AND WARMING UNITS

DOORS

| ITEM | MODEL | DESCRIPTION | PART NUMBER |
|------|---|---|---------------|
| 1 | ER/PR/EF/PF24/48/74 | DOOR ASSY - RH SS/AL (FULL) | 40B32-718D |
| | ER/PR/EF/PF24/48/74 | DOOR ASSY - LH SS/LH (FULL) | 40B48-025D-02 |
| | ER/PR/EF/PF24/48/74 | DOOR ASSY - RH (FULL GLASS) | 40B32-794D |
| | ER/PR/EF/PF48/74 | DOOR ASSY - LH (FULL GLASS) | 40B48-027D-01 |
| | ER/PR/EF/PF24/48/74 PRF12-12/24-24 | DOOR ASSY - RH TOP SS/AL (HALF) | 40B32-687D |
| | ER/PR/EF/PF24/48/74 PRF24-24 | DOOR ASSY - RH BOT SS/AL (HALF) | 40B32-705D |
| | ER/PR/EF/PF24/48/74 PRF12-12/48-24 | DOOR ASSY - RH TOP(HALF GLASS) | 40B32-795D |
| | ER/PR/EF/PF24/48/74 | DOOR ASSY - RH BOT (HALF GLASS) | 40B48-029D-02 |
| | PRF12-12 | DOOR ASSY - RH BOT SS/AL (HALF) | 40B32-971D |
| | PRF24-24 | DOOR ASSY - LH TOP SS/AL (HALF) | 40B32-678D |
| | PRF24-24 | DOOR ASSY - LH BOT SS/SS (HALF) | 40B32-690D |
| | PRF48-24 | DOOR ASSY - LH TOP (HALF) | 40B48-028D-01 |
| | PRF48-24 | DOOR ASSY - LH BOT SS/AL (HALF) | 40B32-696D |
| | PRT/PR/PFI 1 PRI 2 | DOOR ASSY - RH SS/SS | 40B32-720D |
| | PRT/PR/PFI 2 | DOOR ASSY - LH SS/SS | 40B48-026D-01 |
| | PW/PWD24 | DOOR ASSY - RH SS/SS | 40B32-856D |
| | PW/PWD48 | DOOR ASSY - RH SS/AL | 40B32-859D |
| | PW/PWD48 | DOOR ASSY - LH SS/AL | 40B48-025D-04 |
| | PWI 1/ PWI 2 | DOOR ASSY - RH SS/AL | 40B32-836D |
| | PWI 2 | DOOR ASSY - LH SS/AL | 40B48-026D-04 |
| 2 | ER/PR/EF/PF24/48/74 PW/PWD24 | DOOR GASKET (FULL DOOR) | 712-012D-02 |
| | ER/PR/EF/PF24/48/74 PRF12-12/24-24 | DOOR GASKET (HALF DOOR) | 712-012D-01 |
| | PRT/PR/PFI 1 PRI 2 PWI 1 PWI 2 | DOOR GASKET (FULL DOOR) | 703-963D-10 |
| 3 | ALL | DOOR HANDLE | 401-502C |
| 4 | ALL | DOOR HINGE | 401-657B |
| 5 | ALL SOLID DOORS | DOOR LOCK | 401-510A |
| ITEM | MODEL | DESCRIPTION | PART NUMBER |
| 6 | ALL SOLID DOORS | DOOR LOCK STRIKE PLATE | 401-604B |
| *7 | ER/PR/EF/PF24/48/74 | *DOOR BRKR - TOP & BOTTOM (FULL & HALF GLASS) | 40A33-161B |
| *8 | ER/PR/EF/PF24/48/74 | *DOOR BRKR - (L&R) (FULL GLASS ONLY) | 40A33-193B |
| | ER/PR/EF/PF24/48/74 | *DOOR BRKR - (L&R) (HALF GLASS ONLY) | 40A33-192B |
| *9 | PRT/PR/PFI 1 PRI 2 PWI 1 PWI 2 | * DOOR WIPER SWEEP(BOTTOM) | 703-671B |
| 10 | ALL | STRIKE PLATE -LIGHT SWITCH | 60D32-019B |
| 11 | ALL | VACUUM VENT | 59D42-016A |

NOTE: DOOR BREAKERS ON SOLID DOORS ARE NOT REPLACEABLE.

All E-series units with solid doors (full & half) are pre-drilled for field re-hinging as of serial number 5426170.
Glass door units can not be re-hinged in the field due to wiring for door frame glass heaters.

REACH IN REFRIGERATORS/FREEZERS/ROOL-IN/ROOL-THRU AND WARMING UNITS

INSTRUMENT PANELS

| ITEM | MODEL | DESCRIPTION | PART NUMBER |
|-------|--|-------------------------------|----------------------------|
| 12 | ER/EF24 | INST PANEL ASSY - SS | 50B36-078D-01 |
| | PR/PF24 | INST PANEL ASSY - SS | 50B36-078D-02 |
| | ER/EF48 | INST PANEL ASSY - SS | 50B36-079D-01 |
| | PR/PF48 | INST PANEL ASSY - SS | 50B36-079D-02 |
| | EF/ER74 | INST PANEL ASSY - SS | 50B36-080D-01 |
| | PF/PR74 | INST PANEL ASSY - SS | 50B36-080D-02 |
| | PRF12-12 | INST PANEL ASSY - SS | 50B36-078D-07 |
| | PRF24-24 | INST PANEL ASSY - SS | 50B36-019C |
| | PRF48-24 | INST PANEL ASSY - SS | 50B36-020C |
| | PRT 1 | FRONT INST PANEL ASSY - SS | 50B36-028C |
| | PRT 1 | *REAR INST. PANNEL ASSY. - SS | 50B36-030C |
| | PRT 2 / PFI 2 | INST PANEL ASSY - SS | 50B36-029C |
| | PFI 1 | INST PANEL ASSY - SS | 50B36-028C |
| | PW/PWD24 | INST PANEL ASSY | 50B36-035C |
| | PW/PWD48 | INST PANEL ASSY | 50B36-036C |
| | PWI 1 | INST PANEL ASSY | 50B36-065D |
| | PWI 2 | INST PANEL ASSY | 50B36-066D |
| | PWD24 | *REAR INST. PANNEL ASSY. - SS | 50B36-078D-09 |
| PWD48 | *REAR INST. PANNEL ASSY. - SS | 50B36-079D-07 | |
| 13 | ER/EF24 | THERMOMETER -(DRUM) | 402-218B |
| 14 | ALL | ROCKER SWITCH | 502-198A |
| 15 | ALL | POWER LIGHT GREEN | 503-056A |
| *16 | ALL | *INSTRUMENT MOUNTING PLATE | 806-075B |
| *17 | ALL | *.250 RETAINER RING | 604-143A |
| *18 | PR/PF24/48/74 PRF12-12 PRF24 24 PRF48-24 PWD24/48 | * DIGITAL TEMP INDICATOR ASSY | 62B03-003B |
| | PRT 1 PRT 2 PFI 1 & 2 | * DIGITAL TEMP INDICATOR ASSY | 50B29-001B |
| *19 | ALL PWD | *HIGH TEMP LIGHT | 503-057A |
| *20 | ALL PWD | * HUMIDITY CONTROL KNOB | 502-131A |

GRILLS

| ITEM | MODEL | DESCRIPTION | PART NUMBER |
|------|---------------------------------------|-----------------------------------|----------------------------|
| 21 | ER/PR/EF/PF24 PRF12-12 PW/PWD24 | TOP GRILLE ASSY - SS | 44B31-219C |
| | ER/PR/EF/PF48 PRF24-24 PW/PWD48 | TOP GRILLE ASSY - SS | 44B31-221C |
| | ER/PR/EF/PF74 PRF48-24 | TOP GRILLE ASSY - SS | 44B31-223C |
| | PRT 1 PWI 1 | TOP GRILLE ASSY - SS | 44B31-103C |
| | PRT 2 PFI 2 PWI 2 | TOP GRILLE ASSY - SS | 44B31-104C |
| 22 | ER/EF24/48/74 | 5IN CASTER KIT EF/ER | 61C01-001A |
| *23 | PR/PF24/48/74 | * 6" LEG PKG ASSY. (SATIN NICKEL) | 59B36-011A |

**REACH IN REFRIGERATORS/FREEZERS/ROLL-IN / ROLL-THROUGH
AND WARMING UNITS
INTERIOR PARTS**

| ITEM | MODEL | DESCRIPTION | PART NUMBER |
|-----------------------------------|--|--|----------------------|
| 24 | ER/PR24-1AS PRF24-24 REF. | EVAPORATOR HOUSING 115V/60HZ | 42B31-090B |
| | EF/PF24-1AS PRF24-24 FREEZER PRF48-24 FREEZER | EVAPORATOR HOUSING 115V/60HZ | 42B31-091B |
| | ER/PR48-1AS | EVAPORATOR HOUSING 115V/60HZ | 42B31-083C |
| | EF/PF48-1AS | EVAPORATOR HOUSING 115V/60HZ | 42B31-081C |
| | ER/PR74-1AS | EVAPORATOR HOUSING 115V/60HZ | 42B31-097C |
| | EF/PF74-5AS | EVAPORATOR HOUSING 115V/60HZ | 42B31-096C |
| | PRF12-12 REF. | EVAPORATOR HOUSING 115V/60HZ | 42B31-127D |
| | PRF12-12 FREEZER | EVAPORATOR HOUSING 115V/60HZ | 42B31-130D |
| | PRF48-24 REF. | EVAPORATOR HOUSING 115V/60HZ | 42B31-037C |
| | PRT/PRI 1 | EVAPORATOR HOUSING 115V/60HZ | 42B31-090B |
| | PRT/PRI 2 | EVAPORATOR HOUSING 115V/60HZ | 42B31-034B |
| | PWD24 PWI 1 PWT1 | EVAPORATOR HOUSING 115V/60HZ | 42B31-132C |
| | PWD48 | EVAPORATOR HOUSING 115V/60HZ | 42B31-133C |
| | ER/PR24-4 | EVAPORATOR HOUSING 220V/50HZ | 42B31-092B |
| | ER/PR48-4 | EVAPORATOR HOUSING 220V/50HZ | 42B31-084C |
| | ER74-5 | EVAPORATOR HOUSING 208-230V/60HZ | 42B31-097C |
| ER74-4 | EVAPORATOR HOUSING 220V/50HZ | 42B31-098C | |
| 25 | ER/PR24-1AS PRF24-24 REF. PRT/PRI 1 | EVAPORATOR FAN MOTOR (5 WATTS 115-60) | 501-019B |
| | EF/PF24-1AS PRF24-24 FREEZER PRF48-24 FREEZER PR/ER/PF/EF48/74 PRT/PRI 2 ER/EF74-5 PR/PF74-5 | EVAPORATOR FAN MOTOR (9 WATTS 115-60) | 501-148B |
| | PRF12-12 REF PRF 12-12 FREEZER PRF48-24 REF. PRF48-12 FREEZER | EVAPORATOR FAN MOTOR (.65 AMPS 120-60) | 501-076B |
| | PWD24/48 PWI 1 PWT1 | EVAPORATOR FAN MOTOR (4 WATTS) | 501-090B |
| | ER/PR24-4 | EVAPORATOR FAN MOTOR (5 WATTS 230-50/60) | 501-055B |
| | ER/PR/48/74-4 | EVAPORATOR FAN MOTOR (9 W 230-50/60) | 501-149B |
| | 26 | ALL ER/EF/PR/PF/PRT PRI/PW/PRF24-24 PRF48-24 | EVAPORATOR FAN BLADE |
| PRF12-12 REF. PRF12-12 FREEZER | | EVAPORATOR FAN BLADE | 405-062A |
| 27 | ER/EF/PR/PF24 PRF24-24 PRF48-24(REF.SIDE) PRT/PRI 1 | EVAPORATOR DRAIN PAN | 43B32-232B |
| | ER/EF/PR/PF48 | EVAPORATOR DRAIN PAN | 43B32-234B |

(*) INDICATES PARTS NOT ILLUSTRATED

07/24/2000

**REACH IN REFRIGERATORS/FREEZERS/ROLL-IN / ROLL-THROUGH
AND WARMING UNITS
INTERIOR PARTS (CONTINUED)**

| ITEM | MODEL | DESCRIPTION | PART NUMBER |
|------|--|--------------------------------|-------------|
| 27 | ER/EF/PR/PF74 PRT/PRI 2 | EVAPORATOR DRAIN PAN | 43B32-236B |
| | PRF12-12 | EVAPORATOR DRAIN PAN (2) | 43B32-134B |
| | PRF48-24(FREEZER) | EVAPORATOR DRAIN PAN | 43B32-020B |
| 28 | ER/PR24/48/74 PRF12-12 COOLER PRF24-24 COOLER PRF48-24 COOLER PRI1 PRI2 PRT1 PRT2 | TEMPERATURE CONTROL | 502-290B |
| | EF/PF24/48/74 PRF12-12 FREEZER PRF24-24 FREEZER PRF48-24 FREEZER | TEMPERATURE CONTROL | 502-147A |
| | PW24/48 PWD24/48 PWI1 PWI2 PWT2 | TEMPERATURE CONTROL | 502-130A |
| 29 | PW24/48 | * HUMIDITY CONTROL ASS'Y | 51B30-008B |
| 30 | ALL PW UNITS | *HIGH TEMP. LIMIT SWITCH | 502-133A |
| 31 | ALL FREEZERS (115V) | DEFROST TIMER | 502-115A |
| | ALL FREEZERS (220V) | DEFROST TIMER | 502-108A |
| 32 | ALL FREEZERS | *TERMINAL BOARD ASSY (FREEZER) | 505-094A |
| | ALL COOLERS | * TERMINAL BOARD ASSY (REFRIG) | 505-095A |
| *33 | ER/PR/EF/PF24 PRF24-24/PW24 | *EVAPORATOR LID HOUSING GASKET | 703-584C |
| | ER/PR/EF/PF48 PRF48-24 PW48 | *EVAPORATOR LID HOUSING GASKET | 703-585C |
| | ER/PR/EF/PF74 | *EVAPORATOR LID HOUSING GASKET | 703-586C |
| | PRT2/PRI2/PWI2/PWT2 | *EVAPORATOR LID HOUSING GASKET | 703-663C |
| | PRI1/PWI1/PWT1 | *EVAPORATOR LID HOUSING GASKET | 703-662C |
| 34 | PRF12-12 | DRAIN TUBE HEATER | 504-539B |
| *35 | PR/ER/PF/PRD/EF24/4 8 & 74 PRF24-24 PRF48-24 | *CABINET FACE HEATER | 504-256B |
| | PRF12-12 | *CABINET FACE HEATER | 504-276B |
| *36 | PRF12-12 | *EDGEMOUNT HINGE SWITCH | 502-137A |

(*) INDICATES PARTS NOT ILLUSTRATED

07/24/2000

REACH IN REFRIGERATORS/FREEZERS/ROLL-IN/ROLL-THRU AND WARMING UNITS

SHELVING

| ITEM | MODEL | DESCRIPTION | PART NUMBER |
|------|-------------------------|----------------------|-------------|
| 37 | ER/EF/PR/PF24/48/74 | SHELF 20.82X26 | 403-507D |
| | PRF12-12 | | |
| | PRF24-24 | | |
| | PRF48-24 | | |
| 38 | ER/EF/PR/PF48/74 | SHELF - CTR 5X10.875 | 403-212D |
| | PRF48-24 | | |
| 39 | ER/PR/EF/PF24/48/74 | PILASTER 56" | 401-273A |
| | PRF24-24 | | |
| | PRF48-24 | | |
| 40 | PRF12-12 | PILASTER-26-1/2 | 403-336A |
| | ALL/PW | PILASTER STD | 59D35-041C |
| | ALL ER/EF/PR/PF/PRT PRI | SHELF CLIP | 403-168A |
| | PRF12-12/PRF24-24 | | |
| | PRF48-24 | | |
| | PW24 | SHELF CLIP | 403-077A-A |

LIGHTING

| ITEM | MODEL | DESCRIPTION | PART NUMBER |
|------|--|---|-------------|
| *41 | ER/EF/PR/PF/PRF/PRT/PRI &PRD WITH SOLID DOORS | * LAMP (INC) 40W (40T10) | 503-071A |
| | ER/EF/PR/PF WITH GLASS DOORS | *LAMP (FLO) 75W (F60T12/D/HO) | 503-084A |
| 42 | ER/EF/PR/PF/PRF/PRT/PRI &PRD WITH SOLID DOORS | LIGHT SOCKET (SINGLE) | 503-048A-- |
| | ER/EF/PR/PF WITH GLASS DOORS | * LAMP HOLDER-PLUNGER | 503-172A |
| | ER/EF/PR/PF WITH GLASS DOORS | *LAMP HOLDER-STATIONARY | 503-173A |
| *43 | ER/EF/PR/PF WITH GLASS DOORS | * BALLAST (1,2) 60W 115/120-60 | 503-094A |
| *44 | ER/EF/PR/PF WITH GLASS DOORS | *SHIELD - LAMP W / END CAPS 60" | 703-478A |
| | ER/EF/PR/PF/PRF/PRT/PRI &PRD WITH SOLID DOORS | * INTERIOR LIGHT SHIELD (FOR INCANDESCENT LIGHT) | 28D25-001A |

WARMING CABINET HEATERS & SWITCHES

| ITEM | MODEL | DESCRIPTION | PART NUMBER |
|------|---------|--------------------------------------|-------------|
| *45 | PW24/48 | CABINET HEATING ELEMENT - 800WT 115V | 504-362C |
| | PW11-1S | CABINET HEATING ELEMENT 115 | 504-715C-01 |
| | PW12-5S | | |
| | PWT1-1S | | |
| | PWT2-5S | | |
| *46 | PW24/48 | * HI-LIMIT SWITCH 240V | 502-133A |
| | PW11-1S | | |
| | PW12-5S | | |
| | PWT2-5S | | |
| *47 | PW24/48 | *POWER / KILL- SWITCH | 502-136A |
| | PW11-1S | | |
| | PW12-5S | | |
| | PWT2-5S | | |

(*) INDICATES PARTS NOT ILLUSTRATED

07/24/2000

ILLUSTRATIONS FOR REFRIGERATION ASSEMBLY



ILLUSTRATIONS FOR REFRIGERATION ASSEMBLY



**REACH IN REFRIGERATORS/FREEZERS/ROLL-IN/ROLL-THRU
UNITS
REFRIGERATION
REFRIGERATION SYSTEMS**

| ITEM | MODEL | DESCRIPTION | PART NUMBER |
|-------------|---|---|---------------|
| 48 | ER/PR/PRD24-1AS/1AG PRI1-1AS PRT1-1AS PRF24-24(COOLER) | REFRIGERATION SYSTEM ASSEMBLY 115V/60HZ | 49B36-293D |
| | ER/PR24-4AS & 4AG PRI1-4AS | REFRIGERATION SYSTEM ASSEMBLY 220V/50HZ | 49B36-295D |
| | ER/PR/PRD48-1AS & 1AG PRF48-24-1AS COOLER | REFRIGERATION SYSTEM ASSEMBLY 115V/60HZ | 49B36-283D |
| | ER/PR48-4AS & 4AG | REFRIGERATION SYSTEM ASSEMBLY 220V/50HZ | 49B36-284D |
| | ER/PR/PRD48-5AS & 5AG | REFRIGERATION SYSTEM ASSEMBLY 208/230V/60HZ | 49B36-285D |
| | ER/PR/PRD74-1AS & 1AHS PRI2-1AS PRT2-1AS | REFRIGERATION SYSTEM ASSEMBLY 115V/60HZ | 49B36-286D |
| | ER/PR/PRD74-1BG & 1BHG | REFRIGERATION SYSTEM ASSEMBLY 115V/60HZ | 49B36-393D-01 |
| | ER/PR74-4AS | REFRIGERATION SYSTEM ASSEMBLY 220V/50HZ | 49B36-288D |
| | ER/PR74-5AS | REFRIGERATION SYSTEM ASSEMBLY 208/230V/60HZ | 49B36-287D |
| | ER/PR74-5BG | REFRIGERATION SYSTEM ASSEMBLY 208/230V/60HZ | 49B36-393D-02 |
| | EF/PF24-1AS PRF24-24(FREEZER) | REFRIGERATION SYSTEM ASSEMBLY 115V/60HZ | 49B36-384D-01 |
| | EF/PF24-1BG | REFRIGERATION SYSTEM ASSEMBLY 115V/60HZ | 49B36-390D-01 |
| | EF/PF24-4AS PRF48-24-1AS FREEZER | REFRIGERATION SYSTEM ASSEMBLY 220V/50HZ | 49B36-384D-02 |
| | EF/PF24-4BG | REFRIGERATION SYSTEM ASSEMBLY 220V/50HZ | 49B36-390D-03 |
| | EF/PF24-5AS | REFRIGERATION SYSTEM ASSEMBLY 208/230V/60HZ | 49B36-384D-03 |
| | EF/PF24-5BG | REFRIGERATION SYSTEM ASSEMBLY 208/230V/60HZ | 49B36-390D-02 |
| | EF/PF48-1AS | REFRIGERATION SYSTEM ASSEMBLY 115V/60HZ | 49B36-385D-01 |
| | EF/PF48-4AS | REFRIGERATION SYSTEM ASSEMBLY 220V/50HZ | 49B36-385D-03 |
| | EF/PF48-4BG | REFRIGERATION SYSTEM ASSEMBLY 220V/50HZ | 49B36-391D-02 |
| | EF/PF48-5AS | REFRIGERATION SYSTEM ASSEMBLY 208/230V/60HZ | 49B36-385D-02 |
| EF/PF48-5BG | REFRIGERATION SYSTEM ASSEMBLY 208/230V/60HZ | 49B36-391D-01 | |
| EF/PF74-5AS | REFRIGERATION SYSTEM ASSEMBLY 208/230/60HZ | 49B36-386D-01 | |
| EF/PF74-5BG | REFRIGERATION SYSTEM ASSEMBLY 208V/60HZ | 49B36-392D-01 | |
| 49 | ER/PR/PRD24 PRT1-1AS PRF24-24(COOLER) | EVAPORATOR. COIL. ASSY. | 49B31-198C-01 |
| | ER/PR/PRD48 PRF48-24(COOLER) PRF48-24(COOLER) & (REMOTE) | EVAPORATOR. COIL. ASSY. | 49B31-166C |
| | ER/PR/PRD74 PRI2-1AS PRT2-1AS | EVAPORATOR. COIL. ASSY. | 49B31-170C |
| | ER/PR/PRD74-1BG & 1BHG | EVAPORATOR. COIL. ASSY. | 49B31-171C |
| | PRF12-12 | EVAPORATOR. COIL. ASSY.(COOLER) | 49B31-096D |

* INDICATES PARTS NOT ILLUSTRATED

07/24/2000

**REACH IN REFRIGERATORS/FREEZERS/ROLL-IN/ROLL-THRU
UNITS
REFRIGERATION SYSTEMS (CONTINUED)**

| ITEM | MODEL | DESCRIPTION | PART NUMBER |
|------|---|--|---------------|
| 49 | PRF12-12 | EVAPORATOR. COIL. ASSY.(FREEZER) | 49B31-097D |
| | EF/PF24-1AS/5AS PRF24-24(FREEZER) | EVAPORATOR. COIL. ASSY. | 49B31-179D |
| | EF/PF24-1BG/5BG PRF48-24(FREEZER) | EVAPORATOR. COIL. ASSY. | 49B31-192C-01 |
| | EF/PF24-4AS | EVAPORATOR. COIL. ASSY. | 49B31-202D-01 |
| | EF/PF24-4BG | EVAPORATOR. COIL. ASSY. | 49B31-192C-02 |
| | EF/PF48-1AS/5AS | EVAPORATOR. COIL. ASSY. | 49B31-177C-01 |
| | EF/PF48-4AS | EVAPORATOR. COIL. ASSY. | 49B31-177C-02 |
| | EF/PF48-4BG | EVAPORATOR. COIL. ASSY. | 49B31-193C-02 |
| | EF/PF48-5BG | EVAPORATOR. COIL. ASSY. | 49B31-193C-01 |
| | EF/PF74-5AS | EVAPORATOR. COIL. ASSY. | 49B31-178C-01 |
| | EF/PF74-5BG | EVAPORATOR. COIL. ASSY. | 49B31-194C-01 |
| | ER/PR24 (REMOTE) | EVAPORATOR. COIL. ASSY. | 49B31-149C |
| | ER/PR48 (REMOTE) | EVAPORATOR. COIL. ASSY. | 49B31-148C |
| | ER/PR74 (REMOTE) | EVAPORATOR. COIL. ASSY. | 49B31-146D |
| | EF/PF24 (REMOTE) | EVAPORATOR. COIL. ASSY. | 49B31-210D-01 |
| | EF/PF48 (REMOTE) | EVAPORATOR. COIL. ASSY. | 49B31-208D-01 |
| | EF/PF74 (REMOTE) | EVAPORATOR. COIL. ASSY. | 49B31-209D-01 |
| 50 | ALL EF/PF | THERMOSTAT - DEFROST | 502-069A |
| 51 | ALL EF/PF | THERMOSTAT - FAN | 502-070A |
| 52 | ER/PR/PRD24 PRT1-1AS PRF24-24(COOLER) & (REMOTE) | EVAPORATOR COIL (9X7X4) | 305-132C |
| | ER/PR/PRD48 PRF48-24(COOLER) & (REMOTE) | EVAPORATOR COIL (21X7X4) | 305-129C |
| | ER/PR/PRD74 PRI2-1AS/PRT2-1AS & (REMOTE) | EVAPORATOR COIL (35X7X4) | 305-171C |
| | EF/PF24 PRF24-24(FREEZER) PRF48-24(FREEZER) & (REMOTE) | EVAPORATOR COIL (9X7-9/32X6) | 305-177C |
| | EF/PF48 & (REMOTE) | EVAPORATOR COIL (21X7-9/32X6) | 305-128C |
| | EF/PF74 ALL & (REMOTE) | EVAPORATOR COIL (35X7-9/32X6) | 305-163C |
| 53 | ER/PR/PRD24 PRT1-1AS | SUCTION LINE & CAPILLARY TUBE ASSY. | 49B30-193C |
| | ER/PR/PRD48 | SUCTION LINE & CAPILLARY TUBE ASSY. | 49B30-188C |
| | ER/PR/PRD74 PRI2-1AS PRT2-1AS | SUCTION LINE & CAPILLARY TUBE ASSY. | 49B30-191C |
| | ER/PR/PRD74-1BG & 1BHG | SUCTION LINE & CAPILLARY TUBE ASSY. | 49B30-098C |
| | PRF12-12 | SUCTION LINE & CAPILLARY TUBE ASSY.(COOLER) | 49B30-147D |
| | PRF12-12 | SUCTION LINE & CAPILLARY TUBE ASSY.(FREEZER) | 49B30-148D |
| | PRF24-24 | SUCTION LINE & CAPILLARY TUBE ASSY.(COOLER) | 49B30-193C |

* INDICATES PARTS NOT ILLUSTRATED

07/24/2000

**REACH IN REFRIGERATORS/FREEZERS/ROLL-IN/ROLL-THRU
UNITS
REFRIGERATION SYSTEMS (CONTINUED)**

| ITEM | MODEL | DESCRIPTION | PART NUMBER |
|------------------|--|--|-------------------|
| 53 | PRF24-24 | SUCTION LINE & CAPILLARY TUBE ASSY.(FREEZER) | 49B30-227C |
| | PRF48-24 | SUCTION LINE & CAPILLARY TUBE ASSY.(COOLER) | 49B30-188C |
| | PRF48-24 | SUCTION LINE & CAPILLARY TUBE ASSY.(FREEZER) | 49B30-227C |
| | EF/PF24-1AS/5AS/4AS | SUCTION/LIQUID LINE ASSY. | 49B30-227C |
| | EF/PF24-1BG/5BG | SUCTION/LIQUID LINE ASSY. | 49B30-149C |
| | EF/PF24-4AS | SUCTION/LIQUID LINE ASSY. | 49B30-233C |
| | EF/PF48-1AS/5AS | SUCTION LINE ASSY | 49B30-119C |
| | EF/PF48-4AS | | |
| | EF/PF48-4BG | | |
| | EF/PF48-5BG | | |
| | EF/PF74-5AS | | |
| | EF/PF74-5BG | | |
| | ER/PR24 (REMOTE) | SUCTION/LIQUID LINE ACCY. | 49B30-116C |
| | ER/PR48 (REMOTE) | | |
| | ER/PR74 (REMOTE) | SUCTION/LIQUID LINE ACCY. | 49B30-113C |
| | EF/PF24 (REMOTE) | SUCTION/LIQUID LINE ACCY. | 49B30-112C |
| EF/PF48 (REMOTE) | | | |
| EF/PF74 (REMOTE) | | | |
| 54 | ER/PR/PRD24/48/74 PRT1-1AS PRF12-12(COOLER) PRF24-24(COOLER) PRF48-24(COOLER) &(REMOTE) | ACCUMULATOR | 303-012A |
| | EF/PF24 PRF24-24(FREEZER) PRF48-24(FREEZER) | ACCUMULATOR | 303-090A |
| | EF/PF48/74-5AS & EF74 (REMOTE) | ACCUMULATOR | 303-067A |
| | EF/PF48 (REMOTE) | ACCUMULATOR | 303-097A |
| 55 | EF/PF48-1AS/4AS/5AS | EXP VALVE FSE-1/2 ZP35 | 303-131A |
| | EF/PF48/74-4BG/5BG | EXP VALVE FSE-1/2 ZP35 | 303-135A |
| | ER/PR24/48 (REMOTE) | EXP VALVE FJ-1/4-C | 303-121A |
| | ER/PR74 (REMOTE) | EXP VALVE FJ-1/2-C | 303-122A |
| | EF/PF24 (REMOTE) | EXP VALVE | 303-134A |
| | EF/PF48 (REMOTE) | EXP VALVE FSE-1/2 ZP35 | 303-131A |
| | EF/PF74 (REMOTE) | EXP VALVE FSE-1/2-ZP-35 | 303-135A |
| 56 | EF/PF48-1AS/5AS | DISTRIBUTOR | 303-097A |
| | EF/PF48-4AS | | |
| | EF/PF48-4BG | | |
| | EF/PF48-5BG | | |
| | EF/PF74-5AS | | |
| | EF/PF74-5BG | | |
| | EF/PF48 (REMOTE) | | |
| | EF/PF74 (REMOTE) | | |
| 57 | ER/PR/PRD24 PRT1-1AS PRF12-12 (FREEZER) | CAP TUBE .049ID X .099OD X 100 | 203-127A |

**REACH IN REFRIGERATORS/FREEZERS/ROLL-IN/ROLL-THRU
UNITS
REFRIGERATION SYSTEMS (CONTINUED)**

| ITEM | MODEL | DESCRIPTION | PART NUMBER |
|---|---|---|---------------------------------|
| 57 | ER/PR/PRD48 PRF24-24 (FREEZER) PRF48-24 (COOLER) PRF48-24 (FREEZER) EF/PF24-1AS/5AS/4AS | CAP TUBE .049ID X .099OD X 84 | 203-132A |
| | ER/PR/PRD74-1BG & 1BHGPT12-1AS PRT2-1AS | CAP TUBE .054ID X .106OD X 108 | 203-043A-- |
| | ER/PR/PRD74- 1BG&1BHG | CAP TUBE .062ID X .112OD X 60 | 203-125A |
| | PRF12-12 (COOLER) | CAP TUBE .042ID X .093OD X 120 | 203-056A-A |
| | PRF12-12 (FREEZER) | CAP TUBE .042ID X .092OD X 96 | 203-131A |
| | 58 | ER/PR/PRD24-1AS/1AG PRI1-1AS PRT1-1AS PRF24-24(COOLER) | CONDENSING UNIT ASSY. 115V-60HZ |
| ER/PR24-4AS & 4AG PRI1-4AS | | CONDENSING UNIT ASSY. 220V-50HZ | 49B34-290D-03 |
| ER/PR/PRD48-1AS & 1AG PRF48-24-1AS COOLER | | CONDENSING UNIT ASSY. 115V-60HZ | 49B34-243D |
| ER/PR48-4AS & 4AG | | CONDENSING UNIT ASSY. 220V-50HZ | 49B34-287D-01 |
| ER/PR/PRD48-5AS & 5AG | | CONDENSING UNIT ASSY. 208/230V-60HZ | 49B34-287D-02 |
| ER/PR/PRD74-1AS & 1AHS PRI2-1AS PRT2-1AS | | CONDENSING UNIT ASSY. 115V-60HZ | 49B34-247D |
| ER/PR/PRD74-1BG & 1BHG | | CONDENSING UNIT ASSY. 115V-60HZ | 49B34-285D-01 |
| ER/PR74-4AS | | CONDENSING UNIT ASSY. 220V-50HZ | 49B34-286D-02 |
| ER/PR74-5AS | | CONDENSING UNIT ASSY. 208/230V-60HZ | 49B34-286D-01 |
| ER/PR74-5BG | | CONDENSING UNIT ASSY. 208/230V-60HZ | 49B34-285D-02 |
| EF/PF24-1AS PRF24-24(FREEZER) | | CONDENSING UNIT ASSY. 115V-60HZ | 49B34-274D-01 |
| EF/PF24-1BG EF/PF48-24(FREEZER) | | CONDENSING UNIT ASSY. 115V-60HZ | 49B34-281D-01 |
| EF/PF24-4AS | | CONDENSING UNIT ASSY. 220V-50HZ | 49B34-274D-02 |
| EF/PF24-4BG | | CONDENSING UNIT ASSY. 220V-50HZ | 49B34-281D-03 |
| EF/PF24-5AS | | CONDENSING UNIT ASSY. 208/230V-60HZ | 49B34-274D-03 |
| EF/PF24-5BG | | CONDENSING UNIT ASSY. 208/230V-60HZ | 49B34-281D-02 |
| EF/PF48-1AS | | CONDENSING UNIT ASSY. 115V/60HZ | 49B34-272D-01 |
| EF/PF48-4AS | | CONDENSING UNIT ASSY. 220V/50HZ | 49B34-272D-03 |
| EF/PF48-4BG | | CONDENSING UNIT ASSY. 220V/50HZ | 49B34-282D-02 |
| EF/PF48-5AS | | CONDENSING UNIT ASSY. 208/230V/60HZ | 49B34-272D-02 |
| EF/PF48-5BG | | CONDENSING UNIT ASSY. 208/230V/60HZ | 49B34-282D-01 |
| EF/PF74-5AS | | CONDENSING UNIT ASSY. 208/230V/60HZ | 49B34-273D-01 |
| EF/PF74-5BG | | CONDENSING UNIT ASSY. 208/230V | 49B34-283D-01 |

* INDICATES PARTS NOT ILLUSTRATED

07/24/2000

REACH IN REFRIGERATORS/FREEZERS/ROLL-IN/ROLL-THRU UNITS COMPRESSORS

| ITEM | MODEL | DESCRIPTION | PART NUMBER |
|-------------|---|--|-------------|
| 59 | ER/PR/PRD24-1AS/1AG PRI1-1AS PRT1-1AS PRF24-24(COOLER) | COMPRESSOR 1/4HP 115V/60HZ (tec) AEA3430YXA | 302-803B |
| | ER/PR24-4AS & 4AG PRI1-4AS | COMPRESSOR 1/4HP 220V/50HZ (tec) AEA3430YXC | 302-648B |
| | ER/PR/PRD48-1AS & 1AG PRF48-24- 1AS(COOLER) | COMPRESSOR 1/3HP 115V/60HZ (tec) AE3440YXA | 302-804B |
| | ER/PR48-4AS & 4AG | COMPRESSOR 1/3HP 220V/50HZ (tec) AEA3440YXC | 302-875B |
| | ER/PR/PRD48-5AS & 5AG | COMPRESSOR 1/3HP 208/230V/60HZ (tech) AEA4440YXD | 302-708B |
| | ER/PR/PRD74-1AS & 1AHS PRI2-1AS PRT2-1AS | COMPRESSOR 1/2HP 115V/60HZ (tech) AKA4476YXA | 302-626B |
| | ER/PR/PRD74-1BG & 1BHG | COMPRESSOR 3/4HP 115V/60HZ (tech) AKA9451ZXA | 302-917B |
| | ER/PR74-4AS | COMPRESSOR 1/2HP 220V/50HZ (tech) AKA4476YXC | 302-824B |
| | ER/PR74-5AS | COMPRESSOR 1/2HP 208/230V/60HZ (tech) AKA4476YXD | 302-861B |
| | ER/PR74-5BG | COMPRESSOR 3/4HP 230V/60HZ (tech) AKA9451ZXD | 302-920B |
| | EF/PF24-1AS PRF24-24(FREEZER) | COMPRESSOR 1/2HP 115V/60HZ TEC AJA2425ZXA | 302-928B |
| | EF/PF24-1BG EF/PF48-1AS PRF48-24- 1AS(FREEZER) | COMPRESSOR 3/4HP 115V/60HZ (cop) KAMB007ECAA-221 | 302-912B |
| | EF/PF24-4AS | COMPRESSOR 1/2HP 220V/50HZ (tech) AJA2425ZXC | 302-937B |
| | EF/PF24-4BG EF/PF/24-5BG EF/PF48-4AS EF/PF48-5AS | COMPRESSOR 3/4HP 208/230V/50/60HZ (cop) KAMB007ECAV | 302-956B |
| | EF/PF24-5AS | COMPRESSOR 1/2HP 208/230V/60HZ(tec)-AJA2425ZXD | 302-948B |
| | EF/PF48-4BG EF/PF48-5BG EF/PF74-5AS | COMPRESSOR 1HP 220V/50/60HZ (cop) KAKB-011E-CAV | 302-927B |
| EF/PF74-5BG | COMPRESSOR 1.5HP 208/230V (cop) KATD015ECAV | 302-926B | |

RELAYS

| ITEM | MODEL | DESCRIPTION | PART NUMBER |
|------|---|------------------------------------|-------------|
| 60 | ER/PR/PRD24-1AS/1AG PRI1-1AS PRT1-1AS PRF24-24(COOLER) | COMPRESSOR RELAY (TI) 9660-042-176 | 302-646A |
| | ER/PR24-4AS & 4AG PRI1-4AS | COMPRESSOR RELAY (TEC)8200EMBE64 | 314-010A |
| | ER/PR/PRD48-1AS & 1AG PRF48-24- 1AS(COOLER) | COMPRESSOR RELAY (TI) 9660 042 182 | 302-350A |
| | ER/PR48-4AS & 4AG | COMPRESSOR RELAY (TI) 9660-042-149 | 302-399A |

* INDICATES PARTS NOT ILLUSTRATED

07/24/2000

**REACH IN REFRIGERATORS/FREEZERS/ROLL-IN/ROLL-THRU
UNITS
RELAYS (CONTINUED)**

| ITEM | MODEL | DESCRIPTION | PART NUMBER |
|------|--|-------------------------------------|-------------|
| 60 | ER/PR/PRD48-5AS & 5AG | COMPRESSOR RELAY (GE) 3ARR12-PL24 | 302-915A |
| | ER/PR/PRD74-1AS & 1AHS PRI2-1AS PRT2-1AS | COMPRESSOR RELAY (GE) 3ARR2-KCR181S | 302-290A |
| | ER/PR/PRD74-1BG & 1BHG | COMPRESSOR RELAY (GE)3ARR3-B3TP4 | 302-341A |
| | ER/PR74-4AS | COMPRESSOR RELAY | 302-933A |
| | ER/PR74-5AS | COMPRESSOR RELAY (GE)3ARR2-KCR119S | 302-935A |
| | ER/PR74-5BG | COMPRESSOR RELAY (TEC) 820ARR3C29 | 302-427A |
| | EF/PF24-1AS PRF24-24(FREEZER) | COMPRESSOR RELAY(GE)3ARR3-A2M6 | 302-982A |
| | EF/PF24-1BG EF/PF48-1AS PRF48-24-1AS(FREEZER) | COMPRESSOR RELAY(GE) 3ARR3CT5P5 | 302-483A |
| | EF/PF24-4AS | COMPRESSOR RELAY (GE)3ARR3-A6AB6 | 314-005A |
| | EF/PF24-4BG EF/PF/24-5BG EF/PF48-4AS EF/PF48-5AS | COMPRESSOR RELAY(GE) 3ARR3CT-3E5 | 302-582A |
| | EF/PF24-5AS | COMPRESSOR RELAY(GE) 3ARR3CT24E5 | 314-012A |
| | EF/PF48-4BG EF/PF48-5BG EF/PF74-5AS | COMPRESSOR RELAY (GE) 3ARR3CT24E5 | 314-016A |
| | EF/PF74-5BG | COMPRESSOR RELAY(GE) 3ARR3CT6O5 | 302-541A |

OVERLOADS

| ITEM | MODEL | DESCRIPTION | PART NUMBER |
|------|--|--|-------------|
| 61 | ER/PR/PRD24-1AS/1AG PRI1-1AS PRT1-1AS PRF24-24(COOLER) | COMPRESSOR OVERLOAD (TI)MRP26ALL-69 | 302-815A |
| | ER/PR24-4AS & 4AG PRI1-4AS | COMPRESSOR OVERLOAD (TI) MRP 59 AMK-69 | 302-838A |
| | ER/PR/PRD48-1AS & 1AG PRF48-24-1AS(COOLER) | COMPRESSOR OVERLOAD (TI)MRT24AIK-69 | 302-911A |
| | ER/PR48-4AS & 4AG | COMPRESSOR OVERLOAD (TI)MRP40AMK-69 | 302-942A |
| | ER/PR/PRD48-5AS & 5AG | COMPRESSOR OVERLOAD (TI) MRP28AMN-69 | 302-914A |
| | ER/PR/PRD74-1AS & 1AHS PRI2-1AS PRT2-1AS | COMPRESSOR OVERLOAD | 302-439A |
| | ER/PR/PRD74-1BG & 1BHG | COMPRESSOR OVERLOAD (TI)MRA5718-114 | 302-997A |
| | ER/PR74-4AS | COMPRESSOR OVERLOAD (TI) MRA8962-114 | 302-356A |
| | ER/PR74-5AS | COMPRESSOR OVERLOAD (TI) MRA 3786-114 | 302-464A |
| | ER/PR74-5BG EF/PF24-1AS PRF24-24(FREEZER) | COMPRESSOR OVERLOAD (TI)MRA5715-114 | 302-555A |
| | COMPRESSOR OVERLOAD (TI)CRA4765-134 | 302-981A | |

**REACH IN REFRIGERATORS/FREEZERS/ROLL-IN/ROLL-THRU
UNITS
OVERLOADS (CONTINUED)**

| ITEM | MODEL | DESCRIPTION | PART NUMBER |
|------|---|--|-------------|
| 61 | EF/PF24-1BG EF/PF48-1AS PRF48-24- 1AS(FREEZER) | COMPRESSOR OVERLOAD (COPE) 071-0092-40 | 302-484A |
| | EF/PF24-4AS | COMPRESSOR OVERLOAD (TI)MRA5729-114 | 313-006A |
| | EF/PF24-4BG EF/PF/24-5BG EF/PF48-4AS EF/PF48-5AS | COMPRESSOR OVERLOAD (TI) CST18AKN-18 | 302-473A |
| | EF/PF24-5AS | COMPRESSOR OVERLOAD (TI)MRA5733-114 | 313-017A |
| | EF/PF48-4BG EF/PF48-5BG EF/PF74-5AS | COMPRESSOR OVERLOAD (COP) 071-0092-42 | 302-979A |
| | EF/PF74-5BG | COMPRESSOR OVERLOAD (COPE) 071-0099-04 | 302-539A |
| | | | |

START CAPACITORS

| ITEM | MODEL | DESCRIPTION | PART NUMBER | |
|------|---|---------------------------------|-------------|--|
| 62 | EF/PF24-4AS | START CAPACITOR (TEC)855S330C83 | 315-005A | |
| | EF/PF24-4BG EF/PF/24-5BG EF/PF48-4AS EF/PF48-5AS | START CAPACITOR 014-0008-51 | 302-329A | |
| | EF/PF24-5AS | START CAPACITOR (TEC)855S330C82 | 315-009A | |
| | EF/PF48-4BG EF/PF48-5BG EF/PF74-5AS | START CAPACITOR 014-0008-51 | 302-329A | |
| | EF/PF74-5BG | START CAPACITOR | 302-532A | |
| | | | | |
| | | | | |

RUN CAPACITORS

| ITEM | MODEL | DESCRIPTION | PART NUMBER |
|------|---|---|-------------|
| 63 | ER/PR/PRD74-1BG & 1BHG | RUN CAPACITOR 85PR370F51 | 302-554A |
| | ER/PR74-5BG | RUN CAPACITOR TEC 85PR370E36 | 302-557A |
| | EF/PF24-1AS PRF24-24(FREEZER) | RUN CAPACITOR 85PR370E36 15 MFD 370V | 302-983A |
| | EF/PF24-1BG EF/PF48-1AS PRF48-24- 1AS(FREEZER) | RUN CAPACITOR (COP)014-0037-03 (40 MFD@330V) | 302-978A |
| | EF/PF74-5BG | RUN CAPACITOR (COP) 014-0037-23(25 MFD@480V) | 302-542A |
| | EF/PF48-4BG EF/PF48-5BG EF/PF74-5AS | RUN CAPACITOR (COP) 014-0037-18 (40 MFD@440V) | 302-980A |
| | | | |

**REACH IN REFRIGERATORS/FREEZERS/ROLL-IN/ROLL-THRU
UNITS
CAPACITOR AND RELAY ASSEMBLES**

| ITEM | MODEL | DESCRIPTION | PART NUMBER |
|------|---|--|-------------|
| 64 | ER/PR/PRD24-1AS/1AG PRI1-1AS PRT1-1AS PRF24-24(COOLER) | NA | NA |
| | ER/PR24-4AS & 4AG PRI1-4AS | NA | NA |
| | ER/PR/PRD48-1AS & 1AG PRF48-24- 1AS(COOLER) | NA | NA |
| | ER/PR48-4AS & 4AG | NA | NA |
| | ER/PR/PRD48-5AS & 5AG | CAPACITOR & RELAY ASSY. (TEC) AE1355-001B | 302-922A |
| | ER/PR/PRD74-1AS & 1AHS PRI2-1AS PRT2-1AS | CAPACITOR & RELAY ASSY.(TEC) AE1227-021 | 302-718A |
| | ER/PR/PRD74-1BG & 1BHG | CAPACITOR & RELAY ASSY. AE1197-028 | 302-998A |
| | ER/PR74-4AS | CAPACITOR & RELAY ASSY. (TEC)AE1227-037 | 302-934A |
| | ER/PR74-5AS | CAPACITOR & RELAY ASSY. AE1227-039 | 302-936A |
| | ER/PR74-5BG | CAPACITOR & RELAY ASSY. (TEC) AE1197-029 | 302-556A |
| | EF/PF24-1AS PRF24-24(FREEZER) | CAPACITOR & RELAY ASSY. | 302-977A |
| | EF/PF24-1BG EF/PF48-1AS PRF48-24- 1AS(FREEZER) | CAPACITOR & RELAY ASSY. | 302-977A |
| | EF/PF24-4AS | CAPACITOR & RELAY ASSY. AE1170-047 | 317-006A |
| | EF/PF24-4BG EF/PF/24-5BG EF/PF48-4AS EF/PF48-5AS | CAPACITOR & RELAY ASSY.(RBM) 128306-1643EK | 302-474A |
| | EF/PF24-5AS | CAPACITOR & RELAY ASSY. (TEC)AE1170-049 | 317-013A |
| | EF/PF48-4BG EF/PF48-5BG EF/PF74-5AS | CAPACITOR & RELAY ASSY. 514-1211-75 | 317-017A |
| | EF/PF74-5BG | CAPACITOR & RELAY ASSY. 514-1211-76 | 317-018A |

* INDICATES PARTS NOT ILLUSTRATED

07/24/2000

**REACH IN REFRIGERATORS/FREEZERS/ROLL-IN/ROLL-THRU
UNITS
CONDENSER FAN MOTORS**

| ITEM | MODEL | DESCRIPTION | PART NUMBER |
|-----------|--|--|-------------|
| 65 | ER/PR/PRD24-1AS/1AG PRI1-1AS PRT1-1AS PRF24-24(COOLER) | CONDENSER FAN MOTOR 5 WATTS 115V/60HZ | 501-019B |
| | ER/PR24-4AS & 4AG PRI1-4AS | CONDENSER FAN MOTOR 5 WATTS 230V/50/60HZ | 501-055B |
| | ER/PR/PRD48-1AS & 1AG PRF48-24- 1AS(COOLER) ER/PR/PRD74- 1BG&1BHG EF/PF24- 1AS PRF24-24(FREEZER) EF/PF24-1BG EF/PF48-1AS PRF48-24- 1AS(FREEZER) | CONDENSER FAN MOTOR 9 WATTS 115V/60HZ | 501-148B |
| | ER/PR48-4AS/4AG & 4BG ER/PR/PRD48-5AS & 5AG ER/PR/PRD74-1AS & 1AHS PRI2-1AS PRT2-1AS ER/PR74-4AS ER/PR74-5AS EF/PF24-4AS EF/PF24-4AS | CONDENSER FAN MOTOR 9 W 230V-50/60HZ | 501-149B |
| | EF/PF24-5AS/5BG EF/PF48-5AS/5BG EF/PF74-5ASEF PF74-5BG | FAN MOTOR 9 WATTS 208-60 | 501-043B |
| | ER/PR74-5BG | FAN MOTOR 25W 230V/50/60HZ | 501-058B |

**REACH IN REFRIGERATORS/FREEZERS/ROLL-IN/ROLL-THRU
UNITS
CONDENSER FAN BLADES**

| ITEM | MODEL | DESCRIPTION | PART NUMBER |
|-----------|---|--------------------------------------|-------------|
| 66 | ER/PR/PRD24-1AS/1AG PRI1-1AS PRT1-1AS PRF24-24(COOLER) ER/PR24-4AS & 4AG PRI1-4AS ER/PR/PRD48-5AS &5AG ER/PR48-4AS & 4AG | CONDENSER FAN BLADE 7.75" | 405-012A-- |
| | ER/PR/PRD48-1AS & 1AG PRF48-24- 1AS(COOLER) ER/PR/PRD74- 1BG&1BHG EF/PF24- 1AS PRF24-24(FREEZER) EF/PF24-1BG EF/PF48- 1AS/4AS/4BG/5AS EF/PF48-5BG PRF48-24- 1AS(FREEZER) EF/PF74- 5AS/5BG | CONDENSER FAN BLADE 8.75" | 405-034A |
| | ER/PR/PRD74-1AS & 1AHS PR12-1AS PRT2-1AS ER/PR74-4AS ER/PR74-5AS EF/PF24-1AS PRF24-24(FREEZER) ER/PF24-1BG/5BG EF/PF48-24- 1AS(FREEZER) EF/PF24-4AS/4BG/5AS | CONDENSER FAN BLADE 10" (5 PED ALUM) | 405-066B |
| | ER/PR/PRD74- 1BG&1BHG ER/PR74-5BG | CONDENSER FAN BLADE 10" (4 PED) | 405-036A |

**REACH IN REFRIGERATORS/FREEZERS/ROLL-IN/ROLL-THRU
UNITS
CONDENSER COILS**

| ITEM | MODEL | DESCRIPTION | PART NUMBER |
|------|---|-----------------------------------|-------------|
| 67 | ER/PR/PRD24-1AS/1AG PRI1-1AS PRT1-1AS PRF24-24(COOLER) ER/PR24-4AS & 4AG PRI1-4AS | CONDENSER COIL 7-7/8X10-1/2X1-1/4 | 305-134B |
| | ER/PR/PRD48-1AS & 1AG PRF48-24-1AS (COOLER) ER/PR48-4AS & 4AG ER/PR/PRD48-5AS & 5AG | CONDENSER COIL 11X10X3 | 305-130C |
| | ER/PR/PRD74-1AS & 1AHS PRI2-1AS PRT2-1AS ER/PR74-4AS ER/PR74-5AS | CONDENSER COIL 11X10-7/8X4 | 305-160C |
| | ER/PR/PRD74-1BG & 1BHGER/PR74-5BG | CONDENSER COIL 13-1/4X10-7/8X4 | 305-159C |
| | EF/PF24-1AS PRF24-24(FREEZER) EF/PF24-1BG EF/PF48-24- 1AS(FREEZER) EF/PF24-4AS EF/PF24-4BG EF/PF24-5AS EF/PF24-5BG EF/PF48-1AS | CONDENSER COIL 7-3/4X10X3 | 305-156C |
| | EF/PF48-4AS EF/PF48-4BG EF/PF48-5AS EF/PF48-5BG EF/PF74-5AS | CONDENSER COIL 19X10X4 | 305-127C |
| | EF/PF74-5BG | CONDENSER COIL 23X11X4 | 305-162C |

* INDICATES PARTS NOT ILLUSTRATED

07/24/2000

**REACH IN REFRIGERATORS/FREEZERS/ROLL-IN/ROLL-THRU
UNITS
CONDENSATE PANS**

| ITEM | MODEL | DESCRIPTION | PART NUMBER |
|------|---|----------------|-------------|
| 68 | ER/PR/PRD24-1AS/1AG PRI1-1AS PRT1-1AS PRF24-24(COOLER) PRI1-4AS ER/PR24-4AS & 4AG | CONDENSATE PAN | 43B35-009C |
| | ER/PR/PRD48-1AS & 1AG PRF48- 24-1AS COOLER ER/PR48-4AS & 4AG ER/PR/PRD48-5AS & 5AG | CONDENSATE PAN | 43B35-007C |
| | ER/PR/PRD74-1AS & 1AHS PRI2-1AS PRT2-1AS ER/PR/PRD74-1BG & 1BHG ER/PR74-4AS ER/PR74-5AS ER/PR74-5BG | CONDENSATE PAN | 43B35-006C |
| | EF/PF24-1AS PRF24-24(FREEZER) EF/PF24-4AS PRF48-24-1AS FREEZER EF/PF24-5AS | CONDENSATE PAN | 43B35-016C |
| | EF/PF24-1BG EF/PF24-4BG EF/PF24-5BG | CONDENSATE PAN | 43B35-015C |
| | EF/PF48-1AS EF/PF48-4AS EF/PF48-5AS EF/PF74-5AS EF/PF74-5BG | CONDENSATE PAN | 43B35-017C |
| | EF/PF48-4BG | CONDENSATE PAN | 43B35-013C |
| | EF/PF48-5BG | CONDENSATE PAN | 43B35-013C |

**REACH IN REFRIGERATORS/FREEZERS/ROLL-IN/ROLL-THRU
UNITS
DRYERS**

| ITEM | MODEL | DESCRIPTION | PART NUMBER |
|------------|--|-----------------------|-------------|
| | ER/PR/PRD24-1AS/1AG PRI1-1AS PRT1-1AS PRF24-24(COOLER) ER/PR24-4AS & 4AG PRI1-4AS ER/PR/PRD48-1AS & 1AG PRF48-24-1AS COOLER ER/PR48-4AS & 4AG ER/PR/PRD48-5AS & 5AG | DRYER (R-12/134/404) | 303-126A |
| *69 | ER/PR/PRD74-1AS & 1AHS PRI2-1AS PRT2-1AS ER/PR74-4AS ER/PR74-5AS | DRYER (R-134A & R-12) | 303-127A |
| | ER/PR/PRD74-1BG & 1BHG EF/PF24-1AS PRF24-24(FREEZER) EF/PF24-1BG EF/PF48-24(FREEZER) EF/PF24-4AS EF/PF24-4BG EF/PF24-5AS EF/PF24-5BG EF/PF48-1AS EF/PF48-4AS EF/PF48-4BG EF/PF48-5AS EF/PF48-5BG EF/PF74-5AS EF/PF74-5BG | DRYER (R-134/404/502) | 303-129A |

**REACH IN REFRIGERATORS/FREEZERS/ROLL-IN/ROLL-THRU
UNITS
CONDENSER FAN SHROUDS**

| ITEM | MODEL | DESCRIPTION | PART NUMBER |
|-----------|--|----------------------|-------------|
| 70 | ER/PR/PRD24-1AS/1AG PRI1-1AS PRT1-1AS PRF24-24(COOLER) ER/PR24-4AS & 4AG PRI1-4AS | CONDENSER FAN SHROUD | 49A36-026C |
| | ER/PR/PRD48-1AS & 1AG PRF48-24-1AS COOLER ER/PR48-4AS & 4AG ER/PR/PRD48-5AS & 5AG | CONDENSER FAN SHROUD | 49A36-023C |
| | ER/PR/PRD74-1AS & 1AHS PRI2-1AS PRT2-1AS ER/PR/PRD74-1BG & 1BHG ER/PR74-4AS ER/PR74-5AS ER/PR74-5BG | CONDENSER FAN SHROUD | 49A36-024C |
| | EF/PF24-1AS PRF24-24(FREEZER) EF/PF24-1BG EF/PF48-24(FREEZER) EF/PF24-4AS EF/PF24-4BG EF/PF24-5AS EF/PF24-5BG | CONDENSER FAN SHROUD | NA |
| | EF/PF48-1AS EF/PF48-4AS EF/PF48-4BG EF/PF48-5AS EF/PF48-5BG EF/PF74-5AS | CONDENSER FAN SHROUD | 49A36-019C |
| | EF/PF74-5BG | CONDENSER FAN SHROUD | 49A36-027C |

DEFROST HEATERS

| ITEM | MODEL | DESCRIPTION | PART NUMBER |
|-----------|--|-----------------------|-------------|
| 71 | EF/PF24-1AS/5AS PRF24-24(FREEZER) PRF48-24(FREEZER) EF/PF24-1BG/5BG EF/PF24-4AS EF/PF24-4BG & (REMOTE) | HEATER - DEFROST 115V | 504-516B |
| | EF/PF48-1AS/5AS/5BG | HEATER - DEFROST 115V | 504-517B |
| | EF/PF48-4AS/4BG & (REMOTE) | HEATER - DEFROST 220V | 504-518B |
| | EF/PF74-5AS/5BG & (REMOTE) | HEATER - DEFROST 115V | 504-520B |

* INDICATES PARTS NOT ILLUSTRATED

07/24/2000