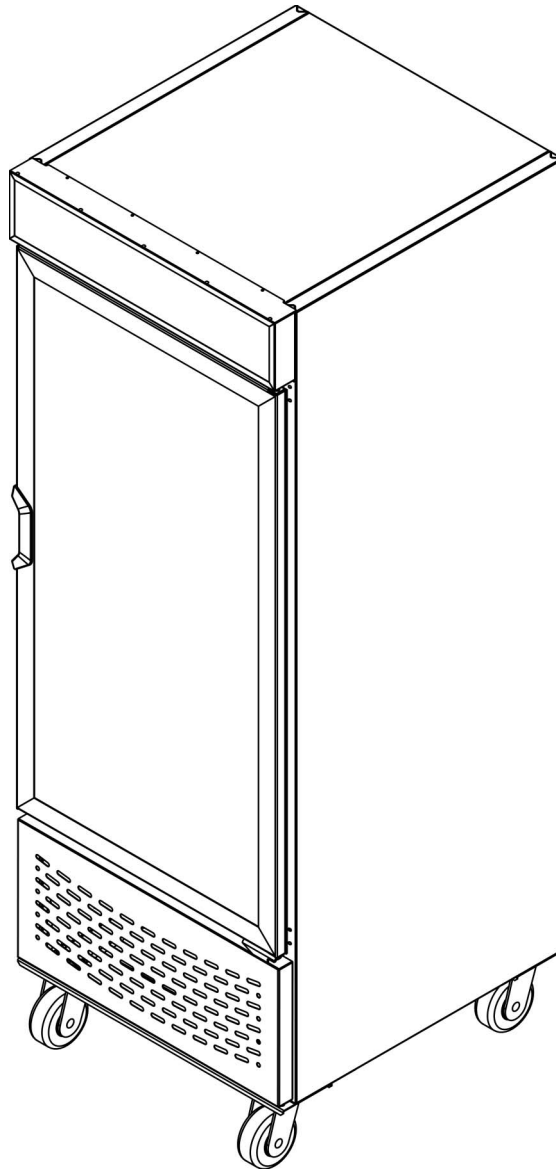

CARRIER MIRACOOOL™ SERVICE PARTS LIST MC750 ALL MODELS



750 L

**SALES OFFICE: P.O. BOX 5932 SPARTANBURG, S.C. 29304-5932
PHONE: (864) 582-8111 TOLL FREE 1-800-845-9800
TECHNICAL SERVICE: 1-800-684-1199, PARTS ORDER FAX: 1-800-262-9381**



CONTENTS

INTRODUCTION	i
UNIT VIEW	1
CARTRIDGE COMPLETE	2
CARTRIDGE SECTION	ii
CARTRIDGE CONDENSER COMPONENTS	3
CARTRIDGE COMPRESSOR COMPONENTS	4
CARTRIDGE COMPRESSOR MOUNTING COMPONENTS	5
CARTRIDGE CONDENSER MOTOR COMPONENTS	6
CARTRIDGE EVAPORATOR COMPONENTS	7
CARTRIDGE ELECTRICAL COMPONENTS	8
CARTRIDGE START CAPACITOR	9
CABINET SECTION	iii
CABINET COMPONENTS	10
CABINET ELECTRICAL COMPONENTS	11
CABINET DOOR COMPONENTS	12
CABINET DOOR ASSEMBLY	13
CABINET SHELF COMPONENTS	14
CABINET LIFTING COMPONENTS	15
CABINET LEVELLING COMPONENTS	16
CABINET LABEL COMPONENTS	17
CABINET LIGHT COMPONENTS	18
UNIT OWNERS MANUAL	iv



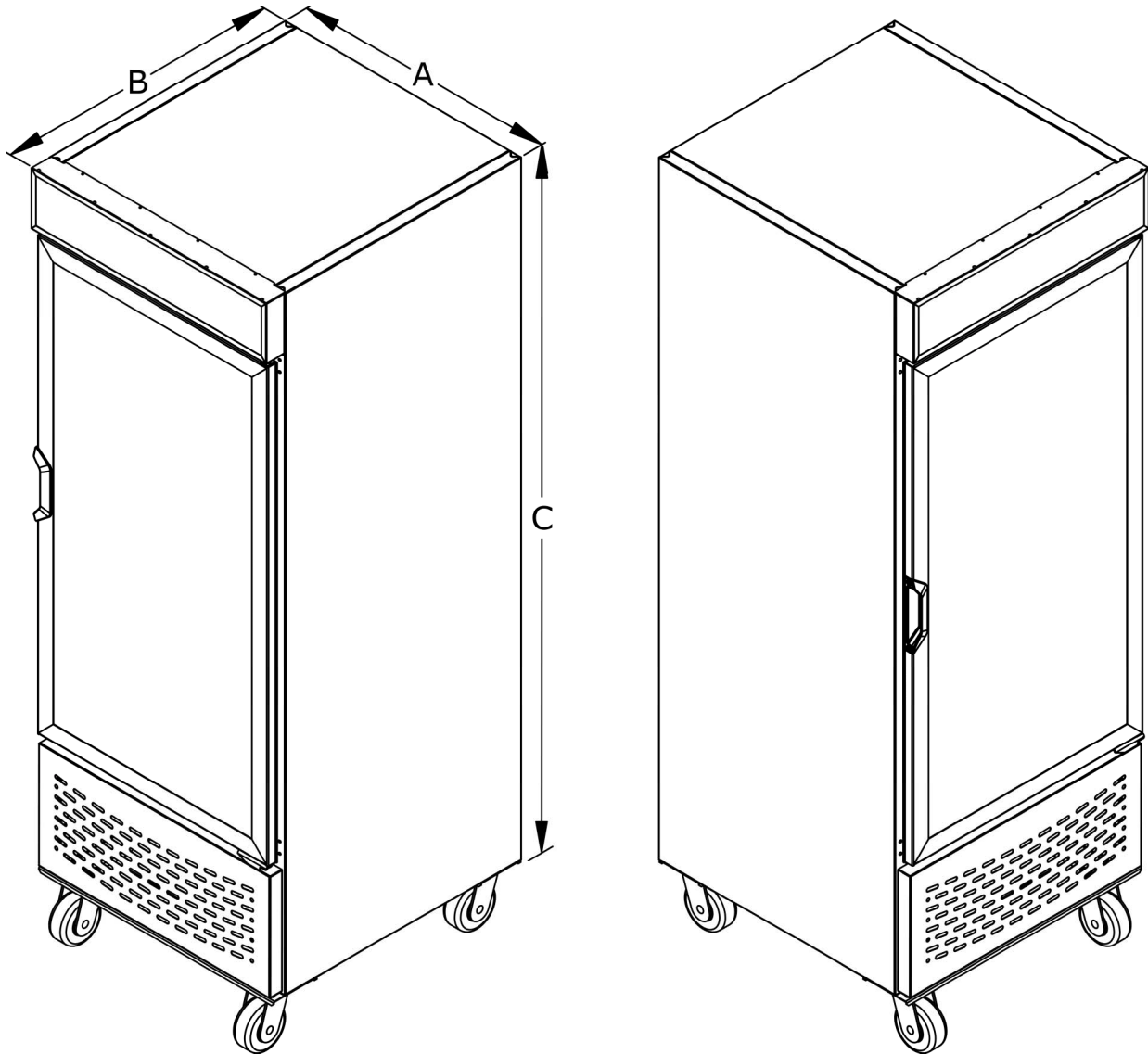
INTRODUCTION

MODEL	REFRIGERANT	CUSTOMER	SIZE
MC750-1-B	R-134a	STANDARD	750
MC750-1-C	R-134a	COKE	750
MC750-1-P	R-134a	PEPSI	750

ORDERING INSTRUCTIONS

SALES OFFICE: P.O. BOX 5932 SPARTANBURG, S.C. 29304-5932
PHONE: (864) 582-8111 TOLL FREE 1-800-845-9800
TECHNICAL SERVICE: 1-800-684-1199, PARTS ORDER FAX: 1-800-262-9381



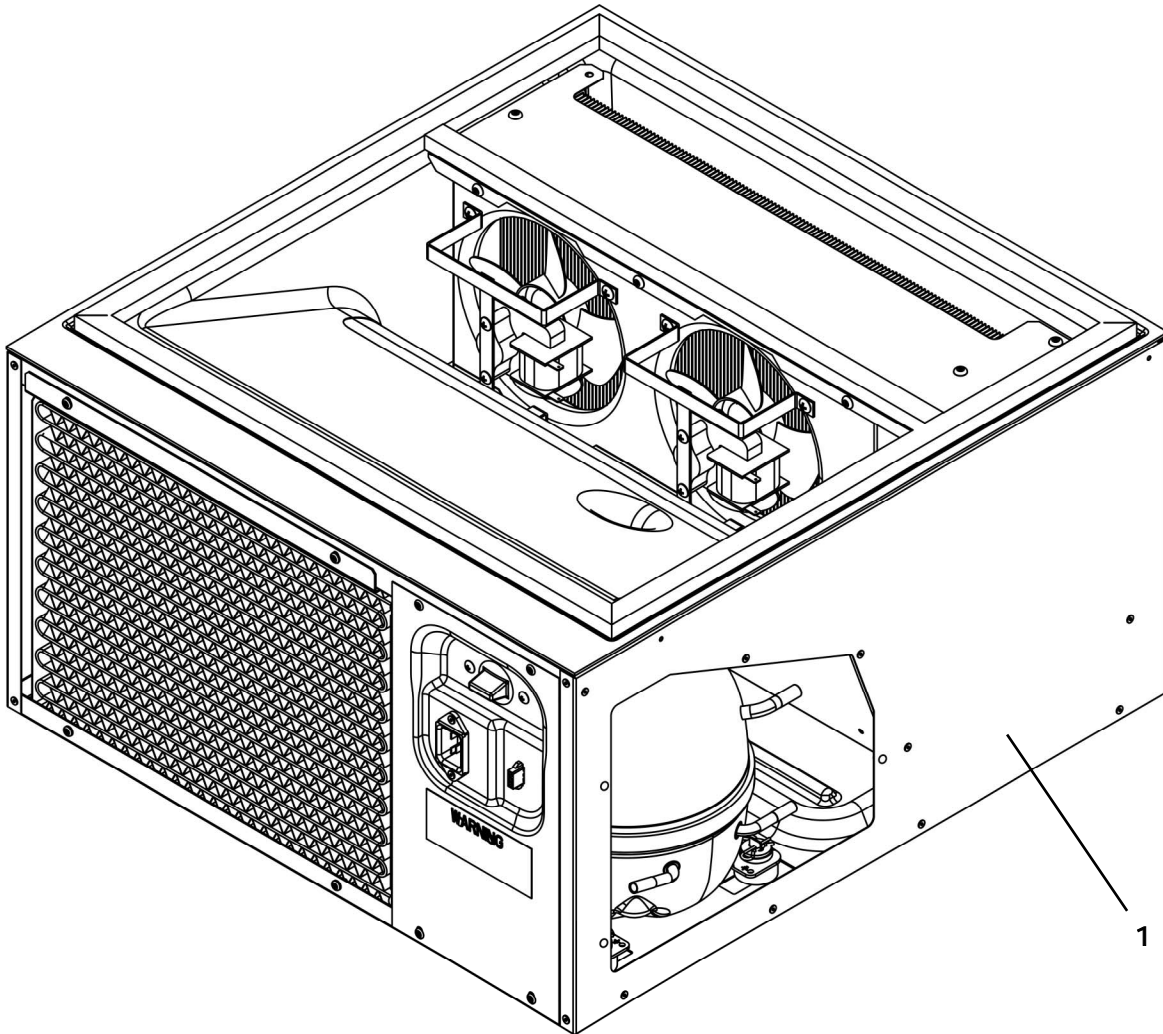
UNIT VIEW**SECTION - 1**

MODEL	A mm [Inch]	B mm [Inch]	C mm [Inch]
750L	762.00 [30.00]	821.00 [32.32]	1978.00 [77.87]



CARTRIDGE COMPLETE

SECTION - 2



ITEM #	Part Number	Description	QTY.
1	79BC690002-02	CARTRIDGE 750L	1



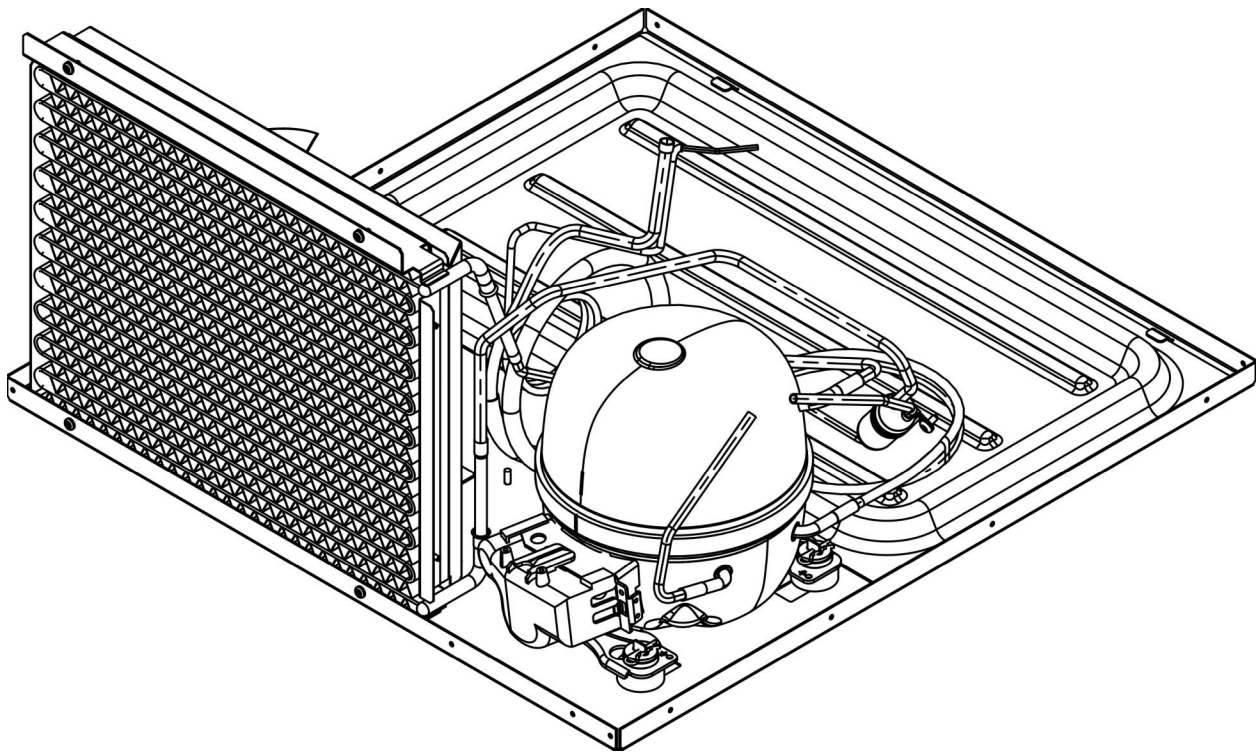
CARTRIDGE SECTION

SECTION - ii



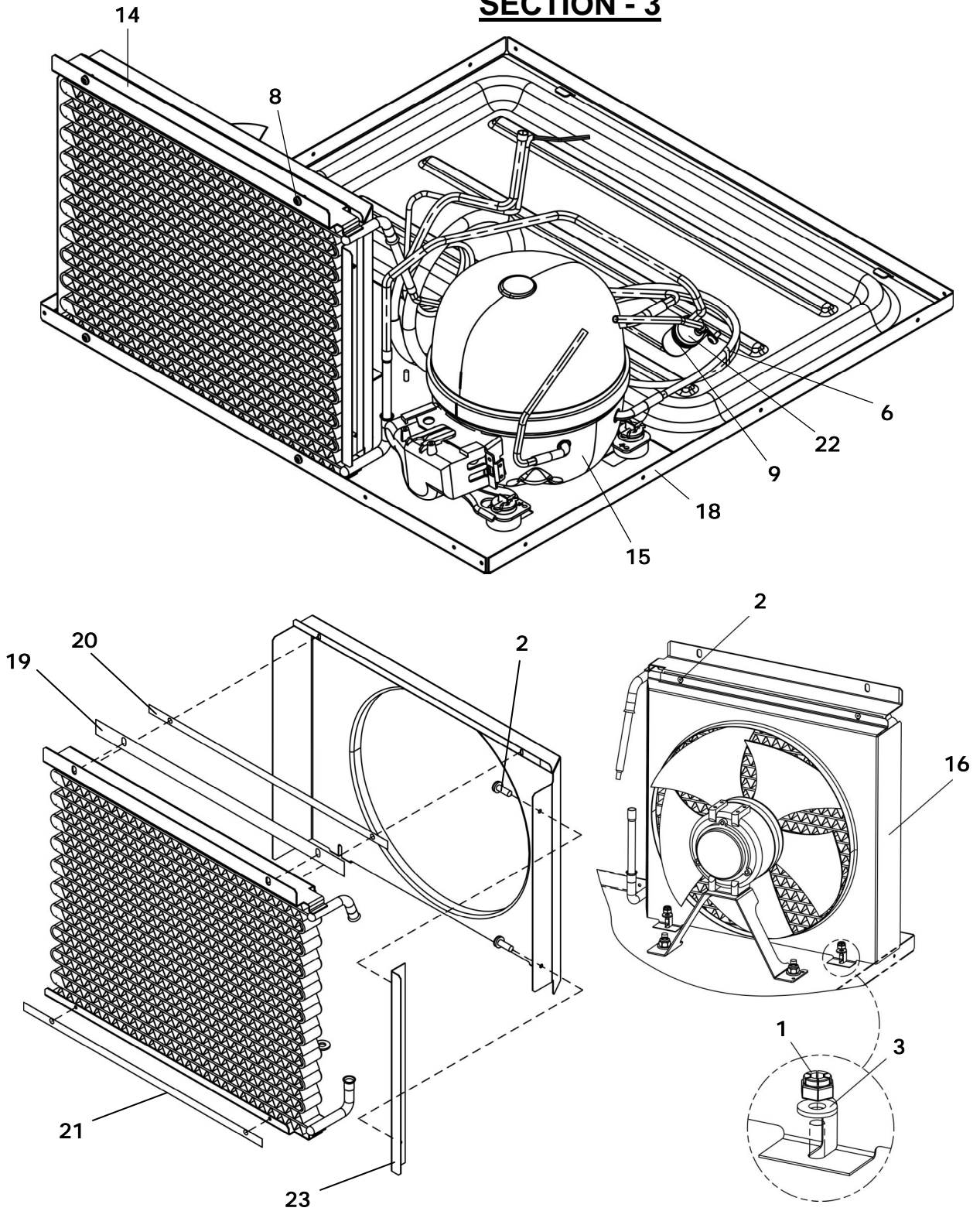
CARTRIDGE CONDENSER COMPONENTS

SECTION - 3



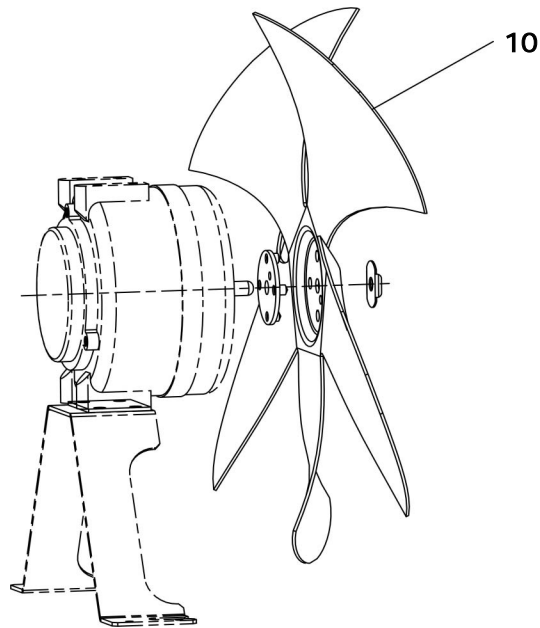
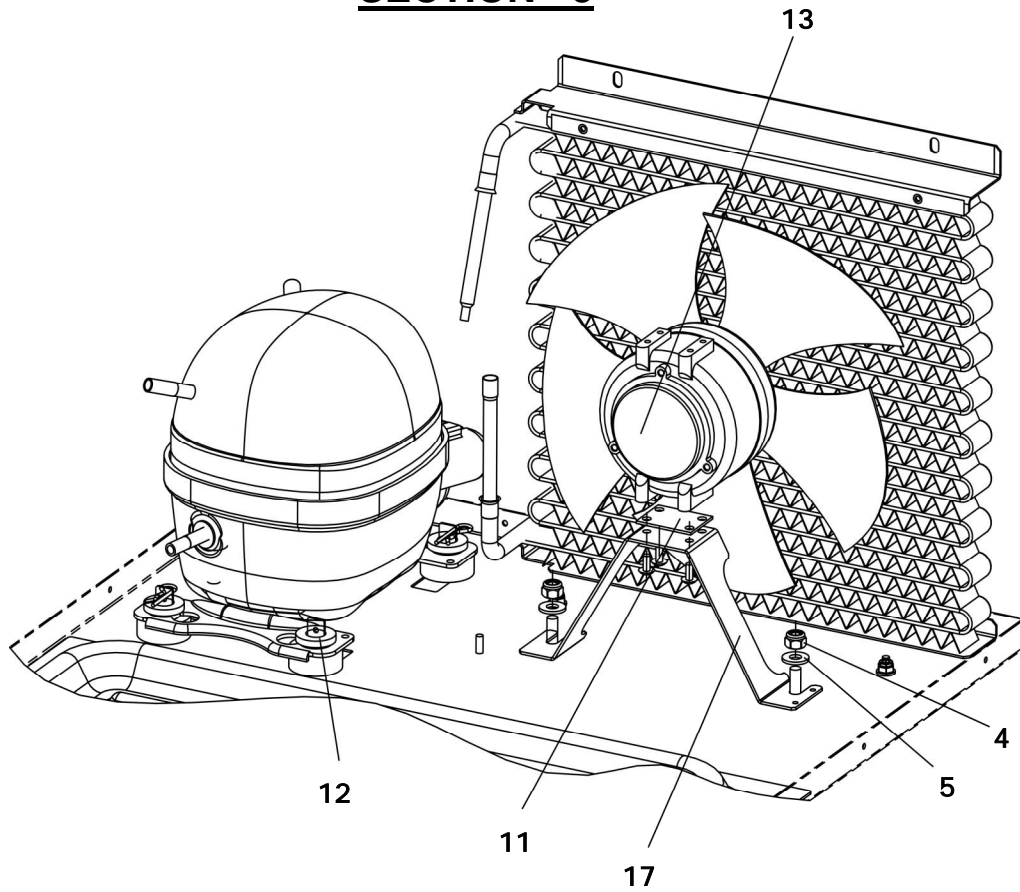
CARTRIDGE - CONDENSER COMPONENTS 260/300L

SECTION - 3



CARTRIDGE - CONDENSER COMPONENTS 260/300L

SECTION - 3



CARTRIDGE - CONDENSER COMPONENTS 260/300L

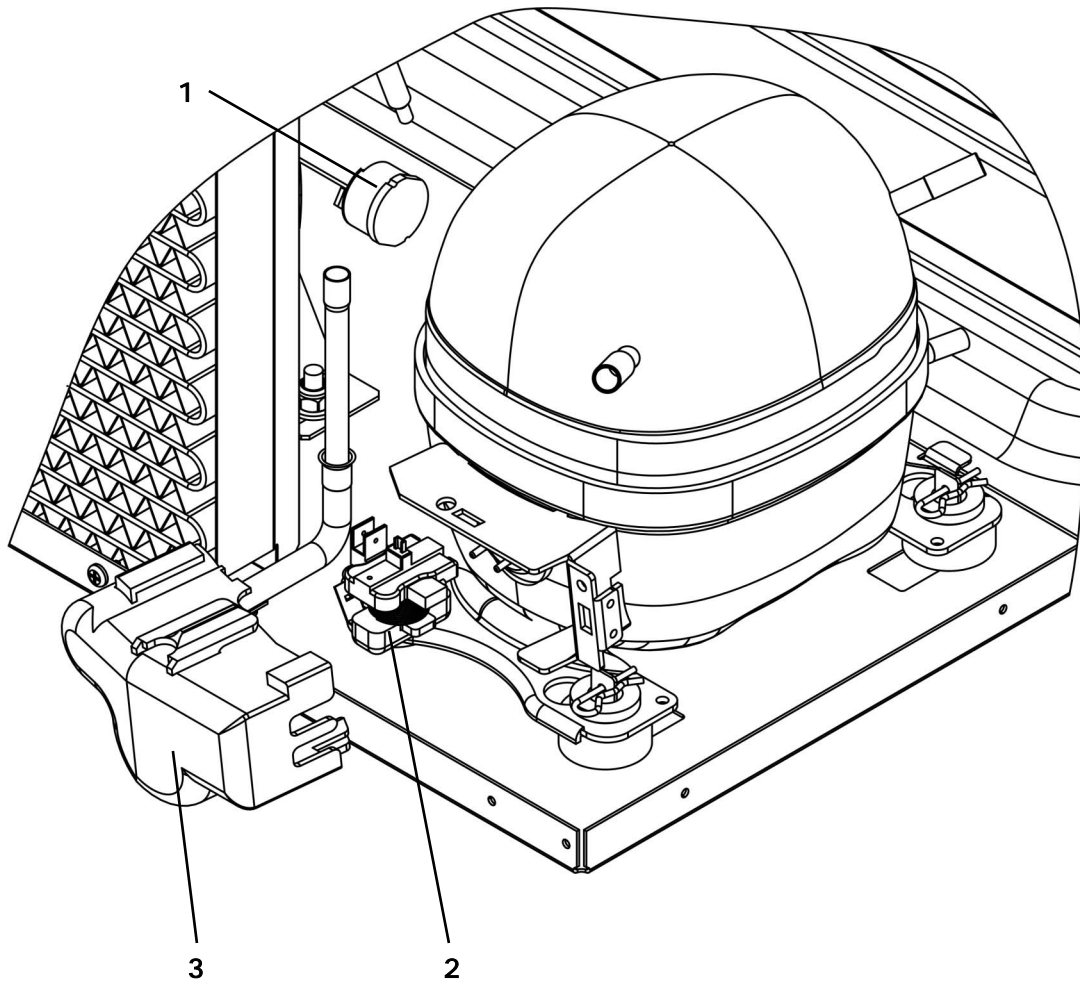
SECTION - 3

ITEM #	Part Number	Description	QTY.
1	AT54AB101	NUT,LOCK #8-32	2
2	604-054A--	RIVET, BLIND .125 OD	4
3	AU02AB101	WASHER, #8 FLAT	2
4	603-451B	NUT,HEX 1/4-20 NYLOCK	2
5	603-436A	WASHER, 1/4 FLAT	2
6	504-133A--	TIE, WIRE 5.6L	6
7	704-010A--	TAPE, CORK .125 X 1.50	1 ROLL
8	79BC270001-01	SCREW, #8 X 3/8L PPSM SD	5
9	79BC290001-01	CLAMP, 1" CUSHION	1
10	79BC310002-01	FAN,PROPELLER 9.5DIA 28 DEG PTH	1
11	79BC340001-01	PAD, RUBBER 0.06THK 60D	1
12	79BC610054-01	COMPRESSOR HARDWARE KIT (SEE INDEX 5)	1
13	501-158B-01	CONDENSER MOTOR KIT (SEE INDEX 6)	1
14	79BC480011-01	COIL ASY, MICRO CHANNEL	1
15	79BC490003-01	COMPRESSOR ASY KIT (SEE INDEX 4)	1
16	79BC600254-02	SHROUD, COND	1
17	79BC600253-01	BRACKET, CONDENSER MOTOR	1
18	79BC600251-02	BASE, CARTRIDGE	1
19	79BC550043-04	PROTECTOR, MYLAR	1
20	79BC550043-05	PROTECTOR, MYLAR	1
21	79BC550043-06	PROTECTOR, MYLAR	1
22	303-143A	FILTER DRYER 3/16ID X 5/16ID	1
23	79BC600348-01	ANGLE	1



CARTRIDGE - COMPRESSOR COMPONENTS

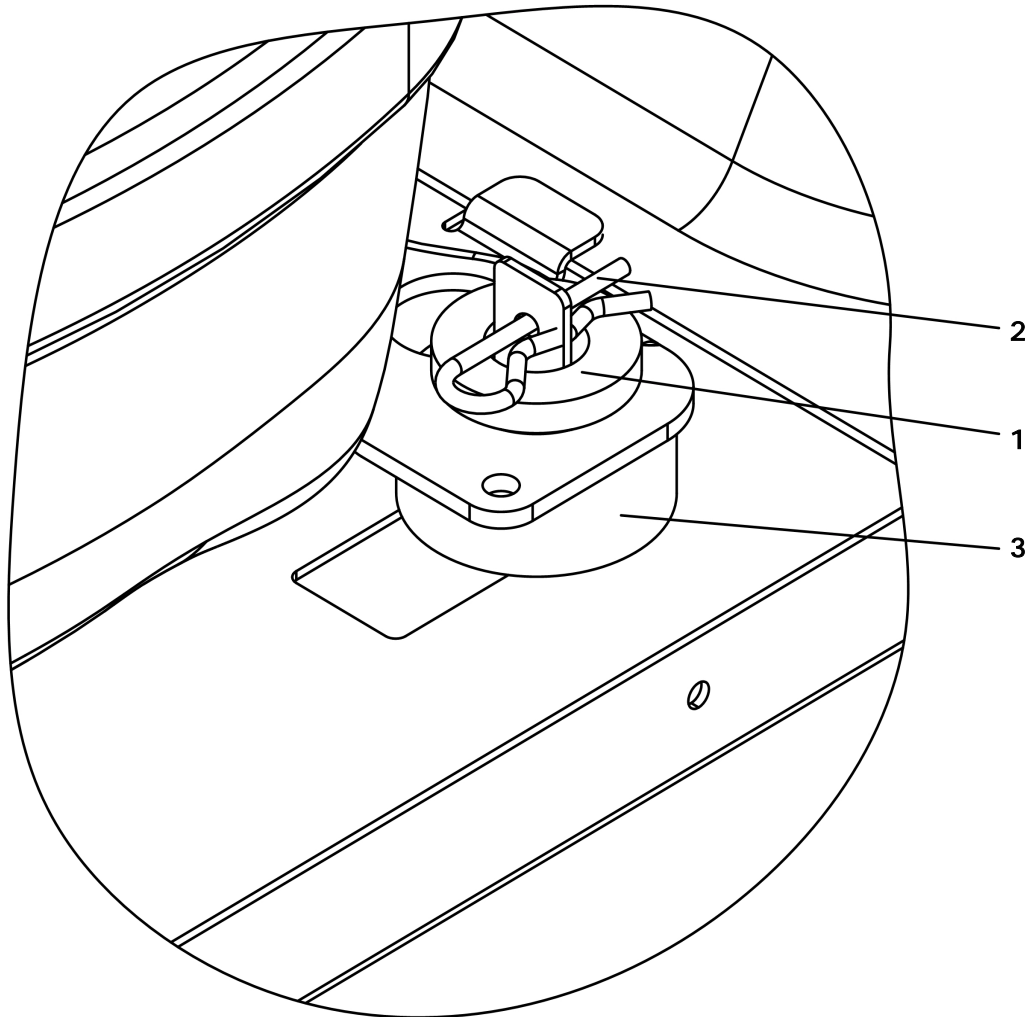
SECTION - 4



ITEM #	Part Number	Description	QTY.
1	79BC490003-10	OVERLOAD	1
2	79BC490003-11	RELAY	1
3	79BC490003-12	COVER	1



CARTRIDGE - COMPRESSOR MOUNTING COMPONENTS
SECTION - 5

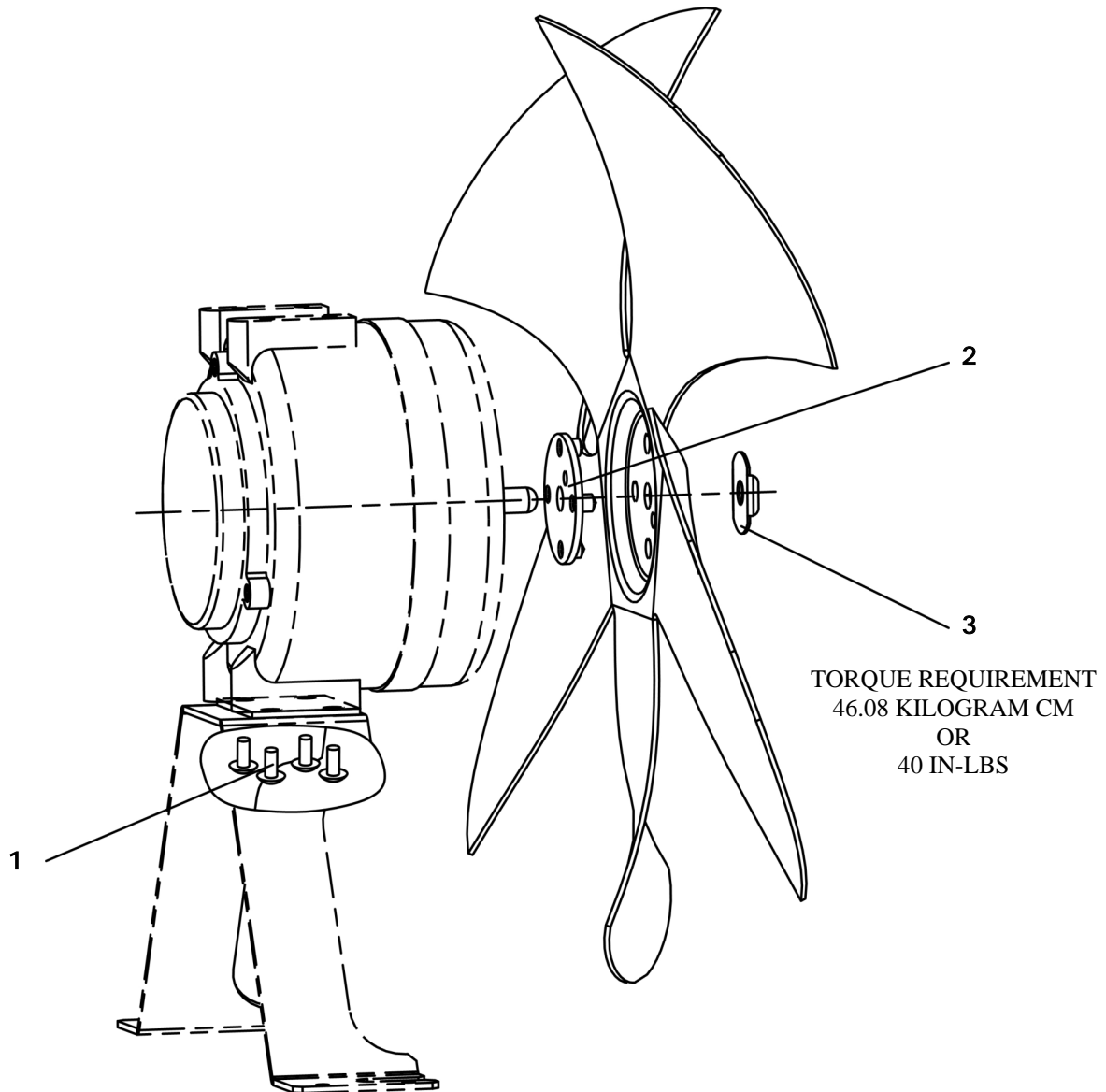


ITEM #	Part Number	Description	QTY.
1	79BC270003-01	WASHER, COMPRESSOR MOUNT	3
2	79BC290002-01	CLIP, SPRING COMPRESSOR	3
3	79BC340002-01	GROMMET	4



CARTRIDGE - CONDENSER MOTOR COMPONENTS

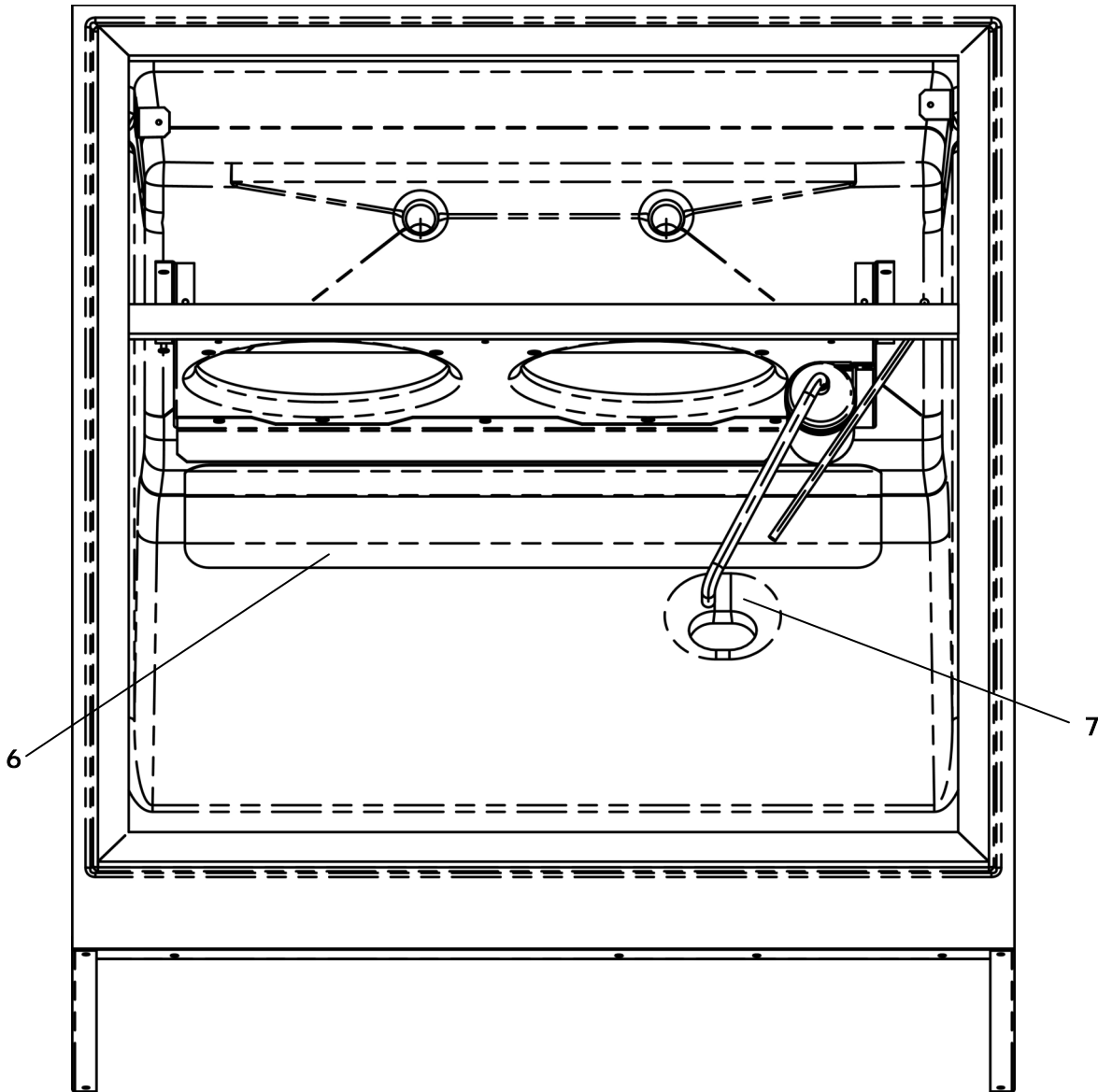
SECTION - 6



ITEM #	Part Number	Description	QTY.
1	603-479A	SCREW, HHMS 8-36 TC	4
2	603-480A	WASHER, FAN CUSHION	1
3	603-481A	NUT, 1/4-20 SHT METAL	1

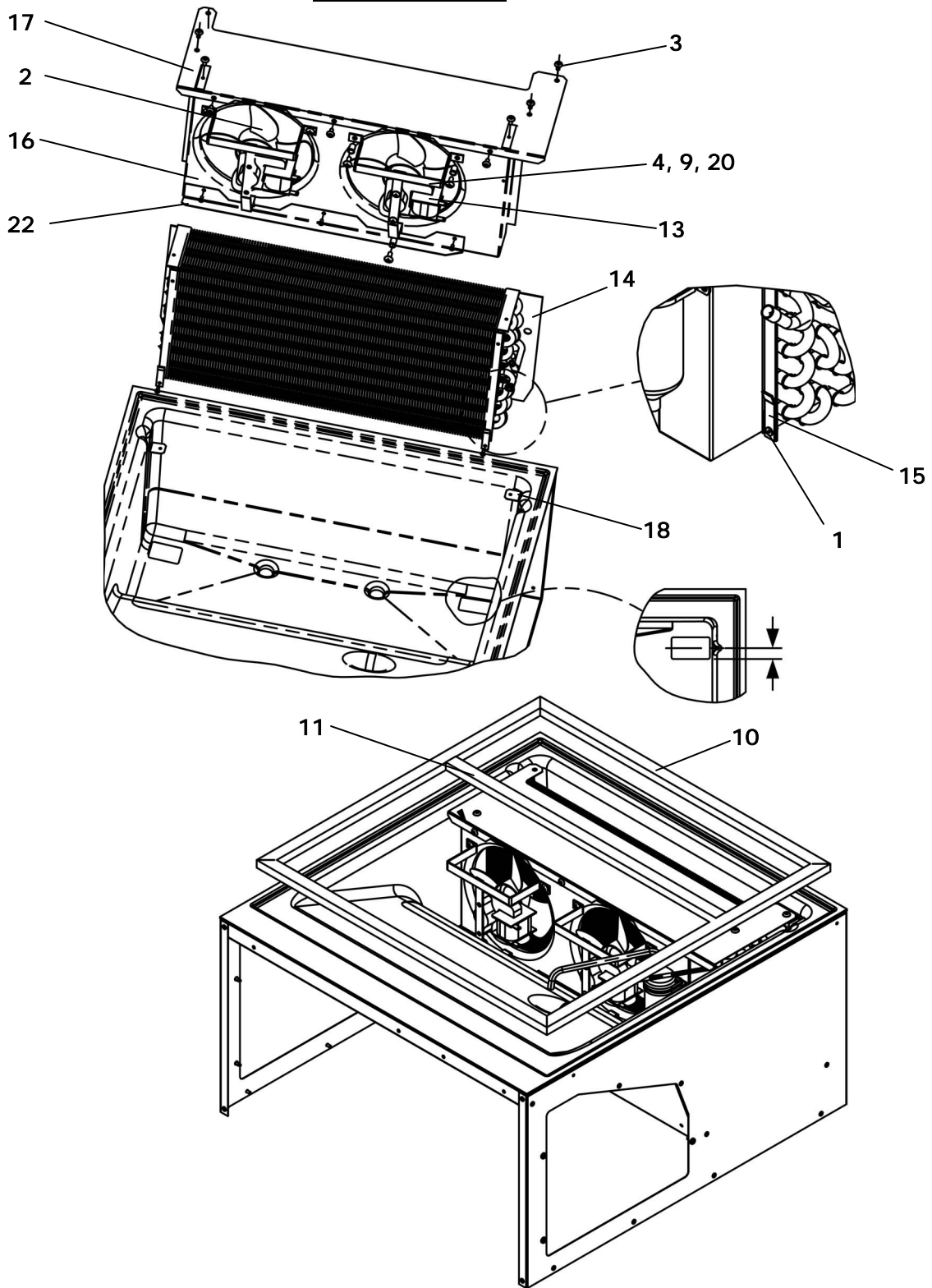
Carrier

CARTRIDGE - EVAPORATOR COMPONENTS
SECTION - 7



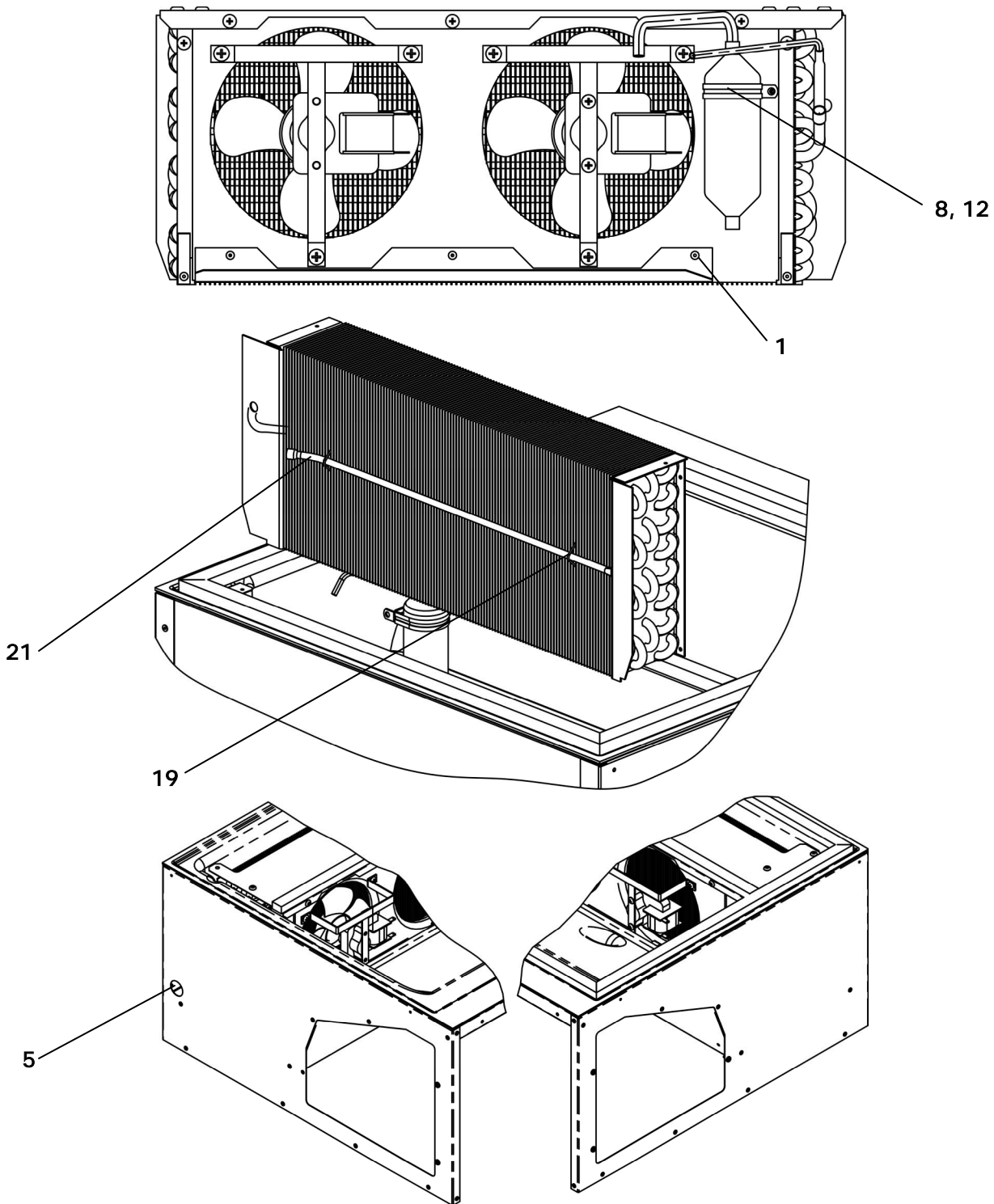
CARTRIDGE - EVAPORATOR COMPONENTS

SECTION - 7



CARTRIDGE - EVAPORATOR COMPONENTS

SECTION - 7



CARTRIDGE - EVAPORATOR COMPONENTS

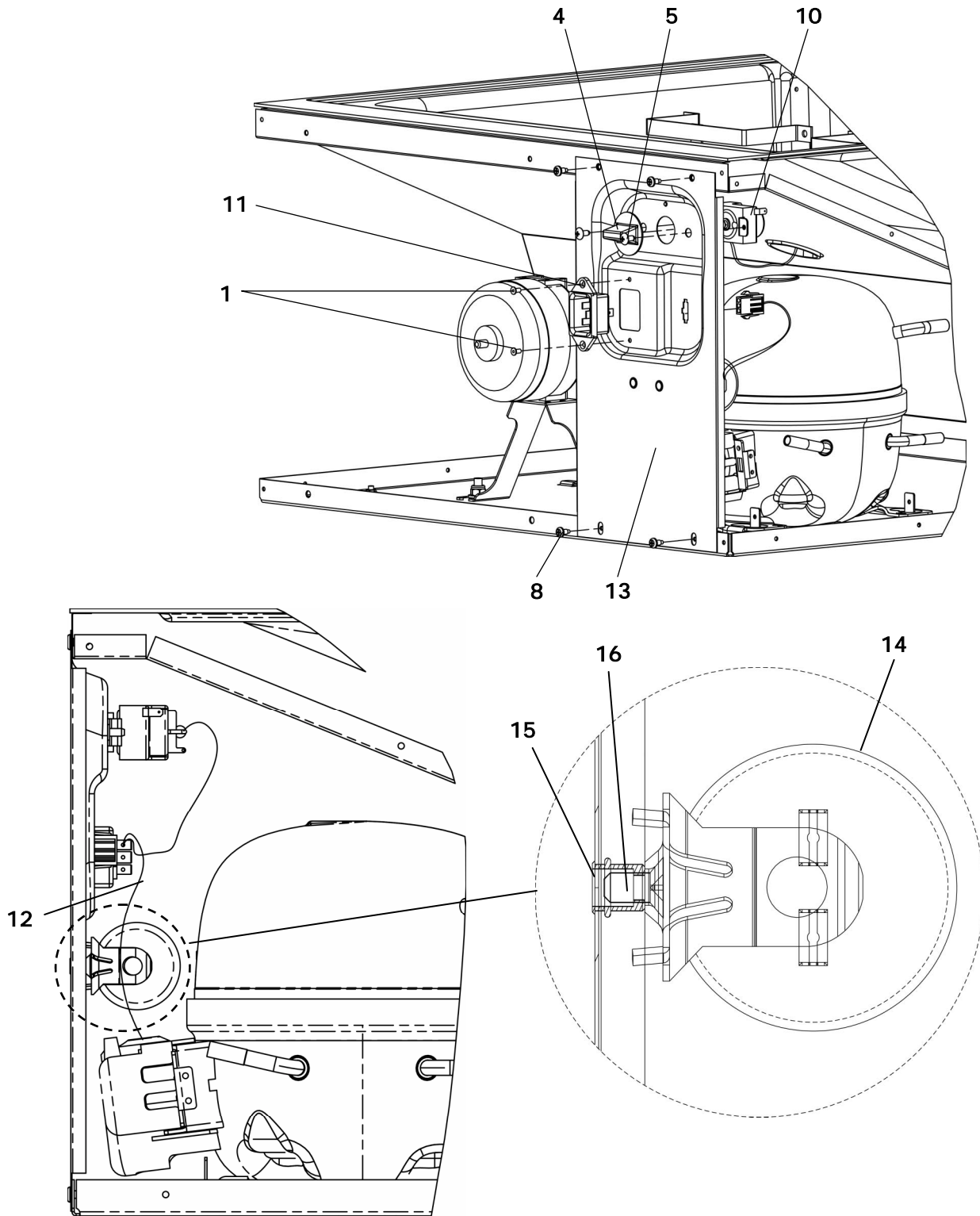
SECTION - 7

ITEM #	Part Number	Description	QTY.
1	604-054A--	RIVET,BLIND .125 OD	5
2	405-063A	FAN, EVAP 6" BLK PLASTIC	2
3	601-073A	SCREW, PTSM #8B X .375L	10
4	603-374A	SCREW, PTMS 10-32X0.375L	10
5	703-463A	PLUG, BUTTON	1
6	704-127A	TAPE, 2" X 60 YARDS ALUM (ROOLL)	1
7	704-136A	SILICONE	1
8	79BC270001-01	SCREW, #8 X 3/8L PPSM SD	3
9	79BC270004-13	RIVNUT, 10-32, G 0.020-0.13	6
10	79BC280007-02	SEAL, PERIMETER	1
11	79BC280008-02	SEAL, SEPARATOR	1
12	79BC290001-02	CLAMP, 1.625" CUSHION	1
13	79BC440001-01	MOTOR, 120V60HZ .73AMP	2
14	79BC480010-01	COIL ASY, EVAP 5/16X1X5ROW	1
15	79BC600271-01	CLIP, EVAP SHROUD	2
16	79BC600344-01	SHROUD, EVAP ORIFICE	1
17	79BC600260-01	SHROUD, EVAP COVER	1
18	79BC600015-01	BRACKET, COIL MOUNT	2
19	79BC600017-01	CLIP,SPRING 5/16 X 1 TSTAT	2
20	79BC630001-01	BRACKET ASSEMBLY, EVAP MOTOR	2
21	79BC620001-02	TUBE ASEMBLY, TSTAT	1
22	79BC600345-01	ANGLE	2



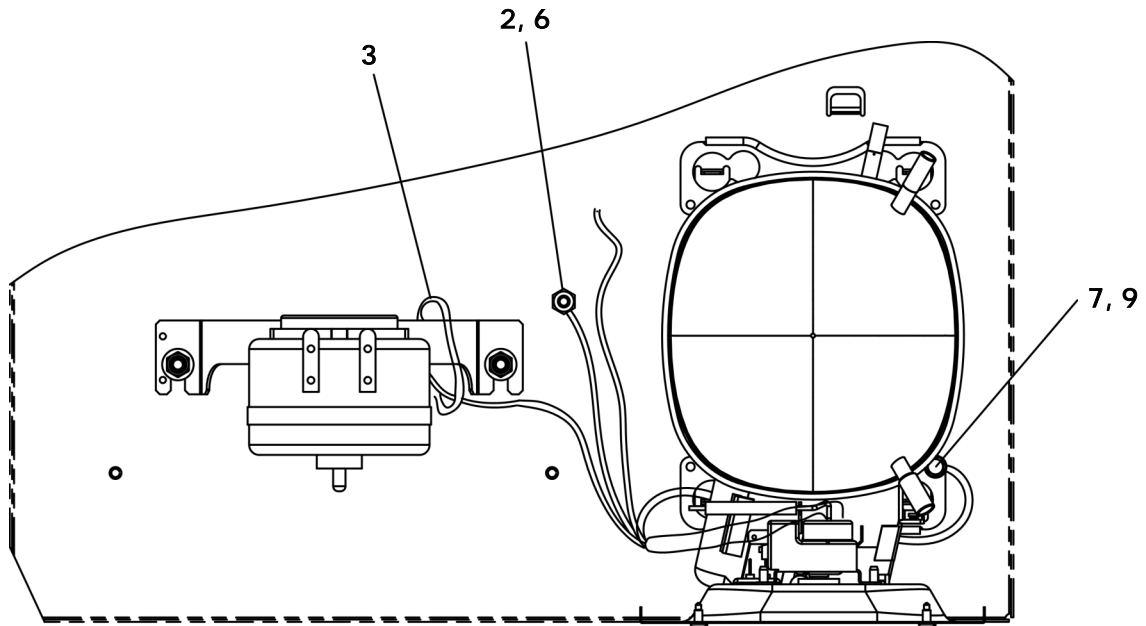
CARTRIDGE - ELECTRICAL COMPONENTS

SECTION - 8



CARTRIDGE - ELECTRICAL COMPONENTS

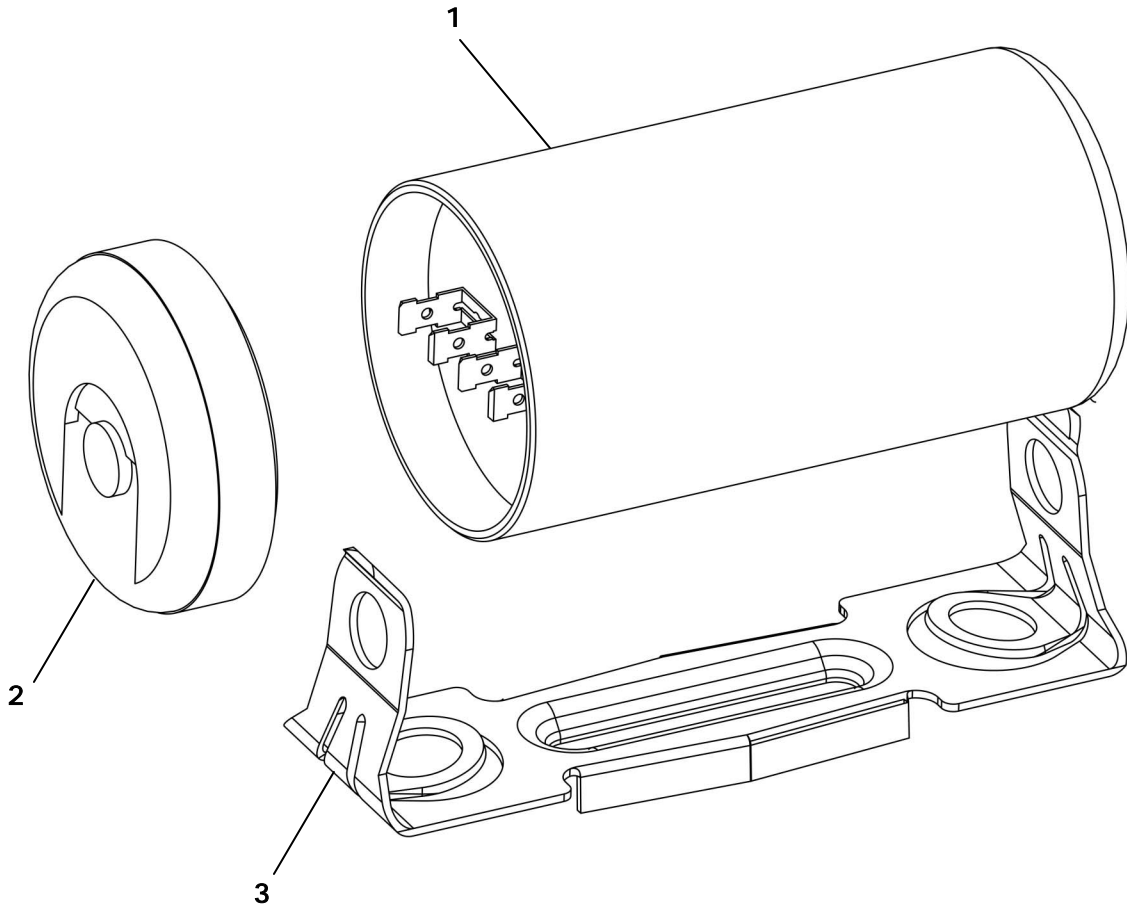
SECTION - 8



ITEM #	Part Number	Description	QTY.
1	604-054A--	RIVET,BLIND 1/8 NOM. X 3/8L	2
2	603-027A--	NUT,HEX #8-32	2
3	504-133A--	TIE,WIRE 5.6L	2
4	502-295B	KNOB, DIAL	1
5	603-086A--	SCREW, #8-32 X .375L	2
6	603-120A--	WASHER, #8 INT STAR	1
7	603-329A	WASHER, #10 INTERIAL STAR	1
8	79BC270001-01	SCREW, #8 X 3/8L PPSM SD	4
9	603-318A	SCREW, HWMS 10-32X1/2 CA	1
10	79BC390001-02	TEMPERATURE CTL	1
11	79BC420007-01	CONNECTOR, INLET	1
12	79BC420014-01	HARNESS	1
13	79BC600022-01	SUPPORT, ELECTRICAL STD	1
14	79BC420012-01	CAPACITOR, START (SEE INDEX 9)	1
15	604-161A	NUT REVET, 10-32	2
16	79BC270002-01	SCREW, 10-32 X 3/8L PFMS	2



CARTRIDGE - START CAPACITOR
SECTION - 9



ITEM #	Part Number	Description	QTY.
1	79BC420012-10	START CAPACITOR	1
2	79BC420012-11	END CAP	1
3	79BC420012-12	BRACKET	1



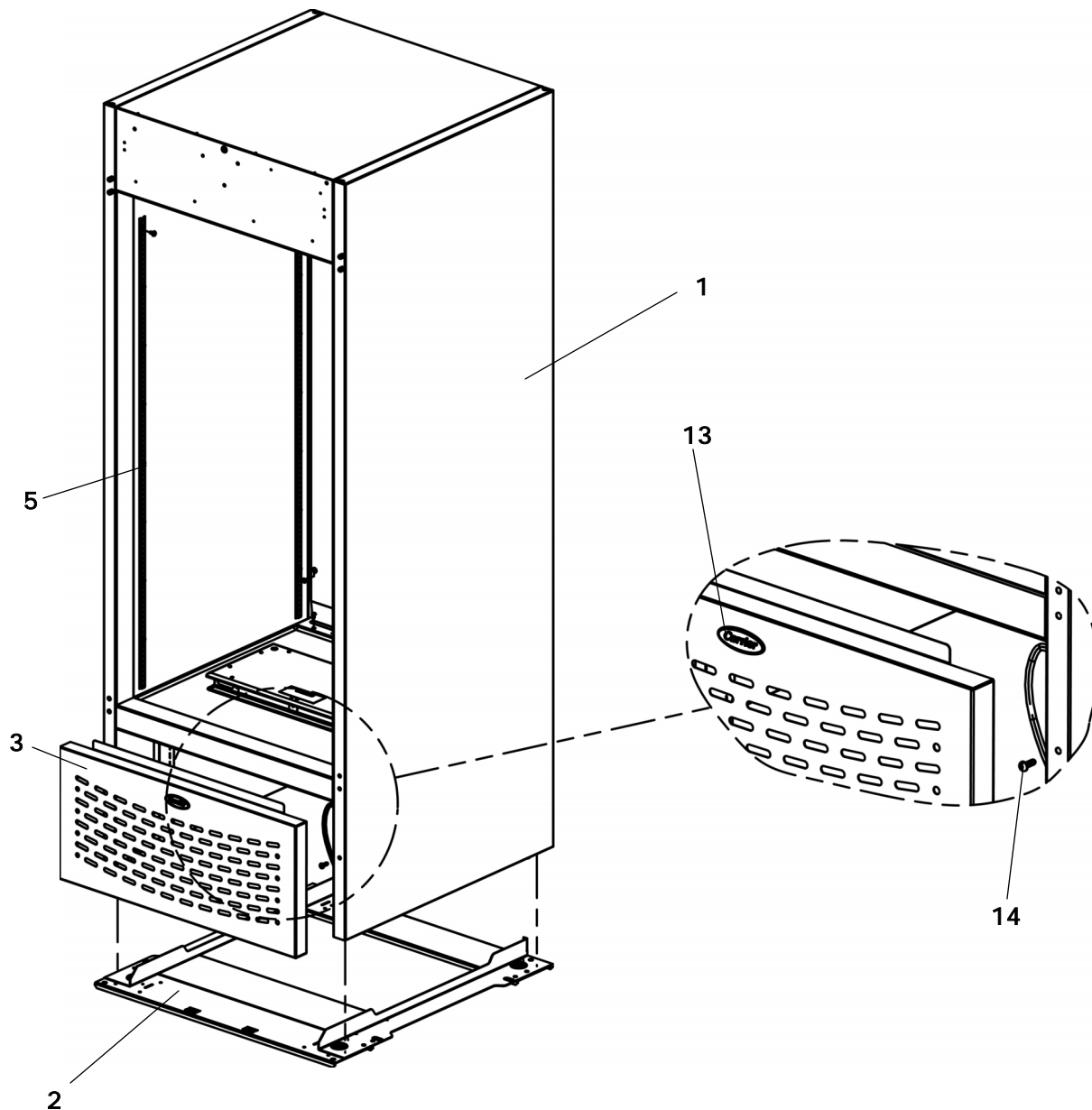
CABINET SECTION

SECTION - iii



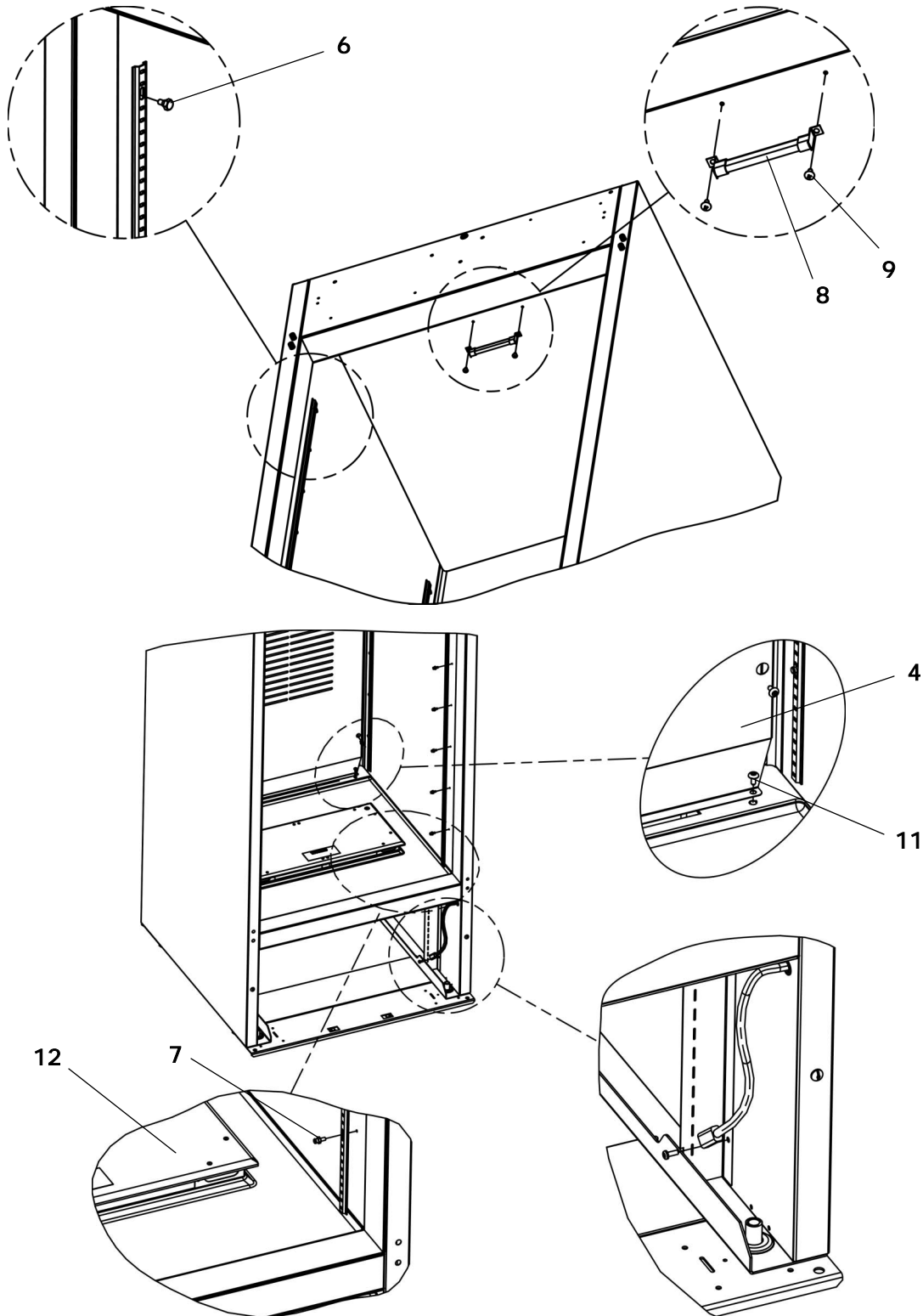
CABINET COMPONENTS

SECTION - 10



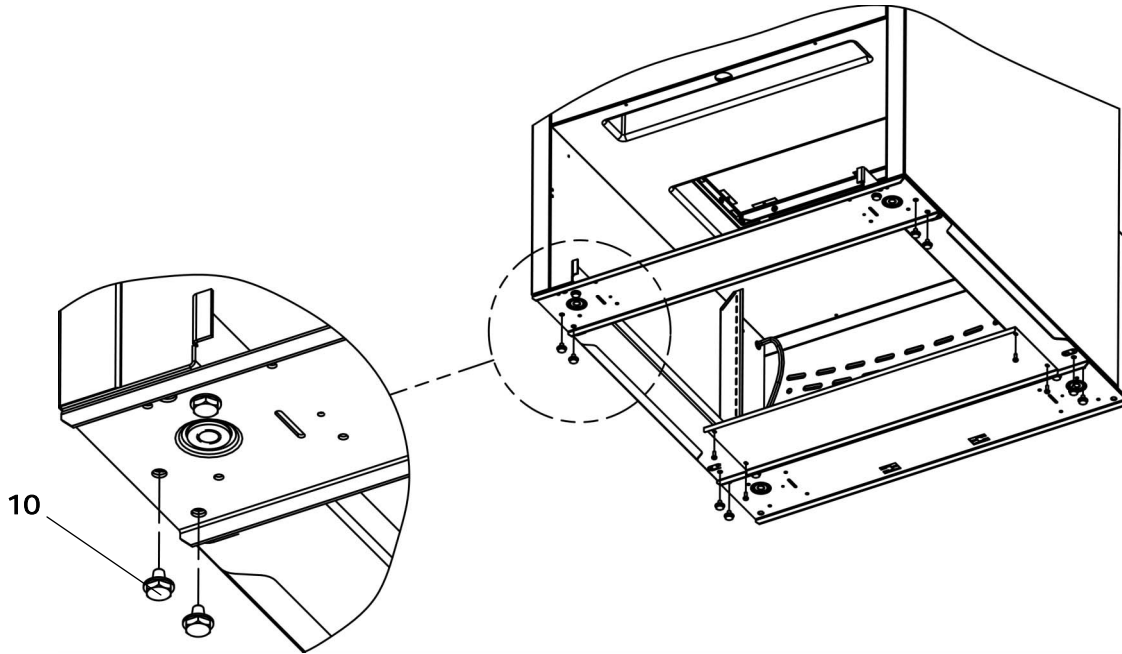
CABINET COMPONENTS

SECTION - 10



CABINET COMPONENTS

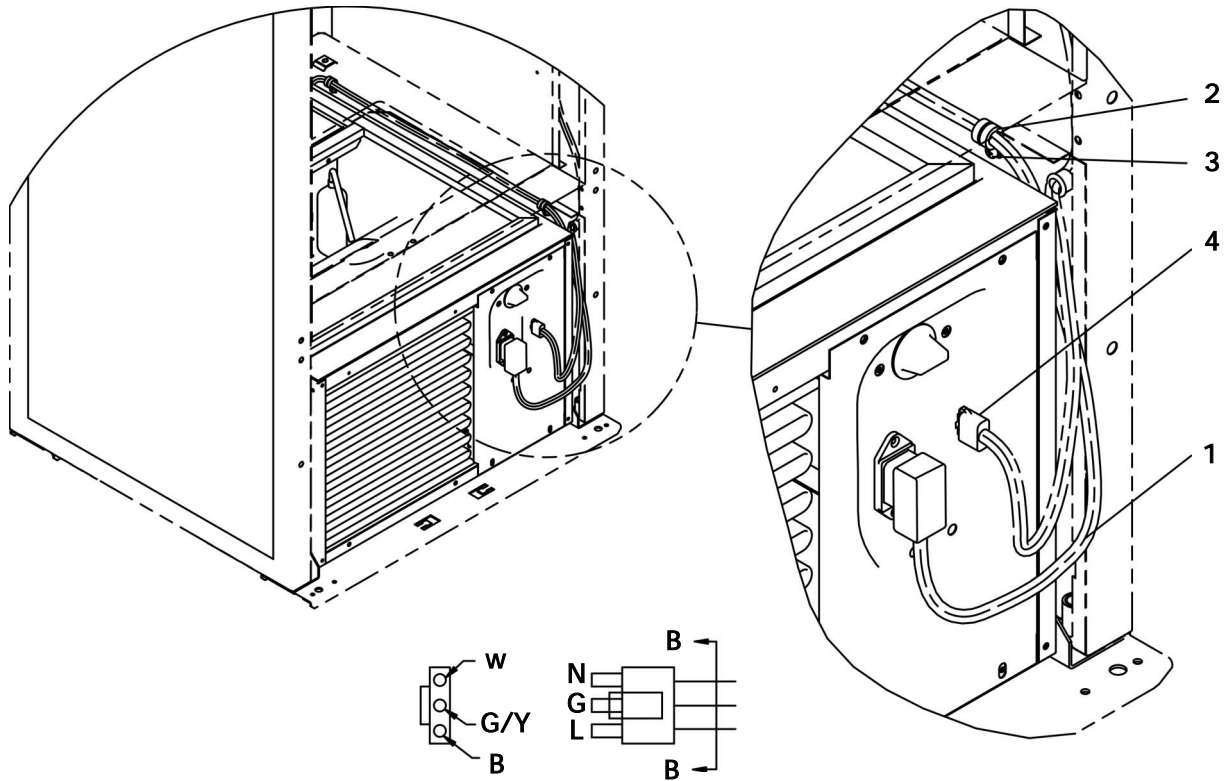
SECTION - 10



ITEM #	Part Number	Description	QTY.
1	79BC610029-02	CABINET, FOAMED 750L - BLACK	1
2	79BC610006-02	BASE ASSEMBLY, 750L	1
3	79BC600309-02AA	GRILLE, FRONT 750L BLACK	1
4	79BC600203-03AB	PANEL,AIR DUCT 750L WHITE	1
5	403-092A	PILASTER, 750L 48" LG	4
6	601-089A	SCREW, HHSM #10X.31 SHLDR	4
7	603-414A	SCREW, PILASTER 8-32	20
8	402-252B	THERMOMETER, HORIZONTAL MTG	1
9	603-086A--	SCREW, #8-32 X .375L	2
10	601-063A	SCREW, HWSM #14 X .38L	8
11	601-073A	SCREW, PTSM #8B X .375L	6
12	79BC610050-02	SPILL SHIELD 260/300L WHITE	1
13	79BC550031-01	EMBLEM,CARRIER	1
14	603-273A	SCREW, .25-20 X .75LG SRMS	2



CABINET ELECTRICAL COMPONENTS
SECTION - 11

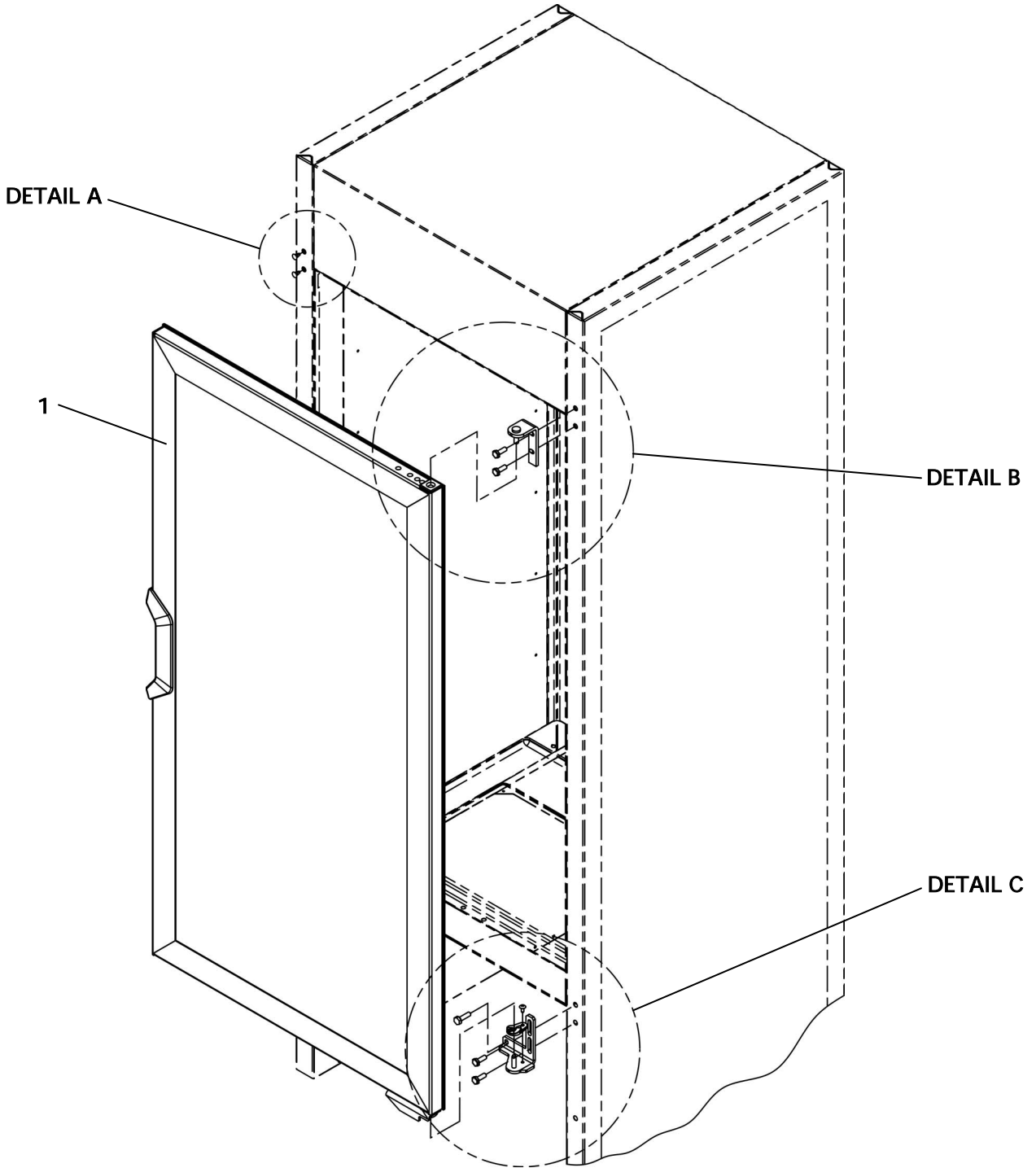


VIEW B-B

ITEM #	Part Number	Description	QTY.
1	79BC420004-01	CORD, POWER	1
2	605-007A--	CLAMP, TUBE .375 RUBBER COVERED	2
3	601-055A--	SCREW, PPSM #8 X .50L SD	2
4	79BC420015-01	CONNECTOR, MOLEX (3 PIN)	1

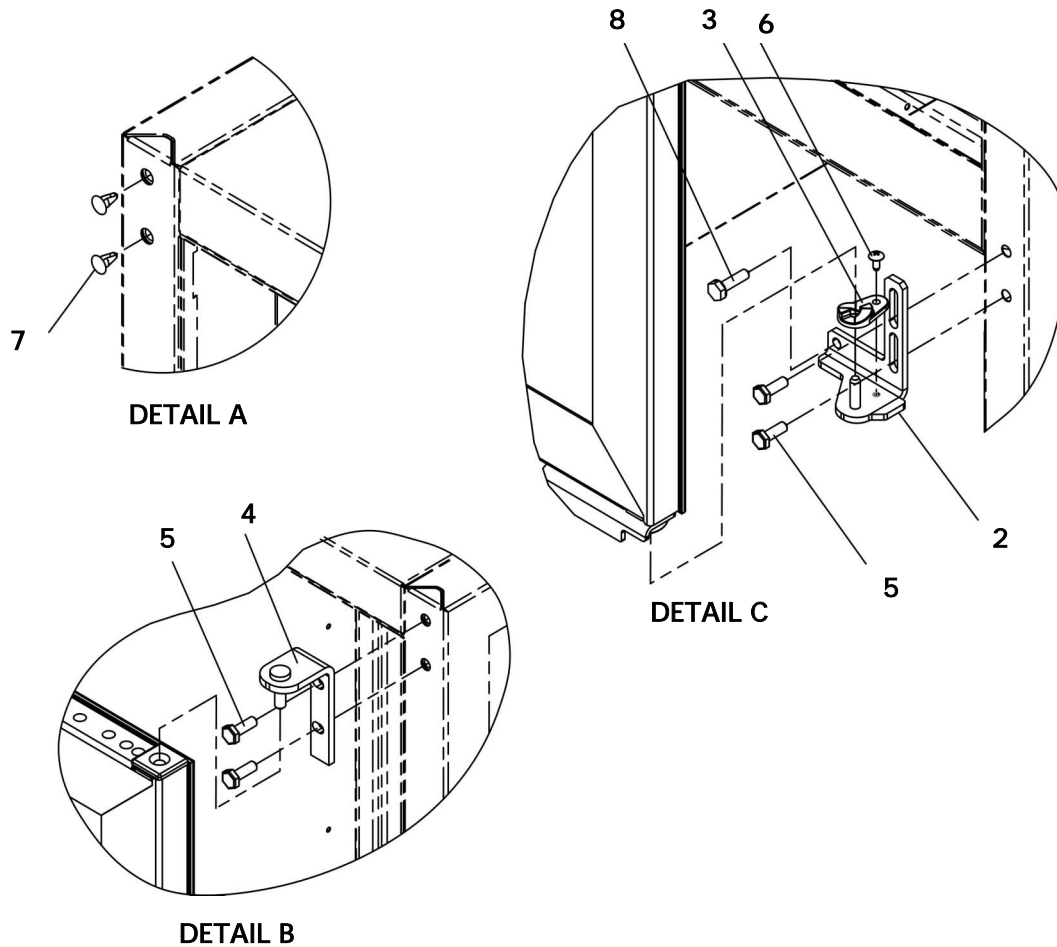


CABINET DOOR COMPONENTS
SECTION - 12



CABINET DOOR COMPONENTS

SECTION - 12

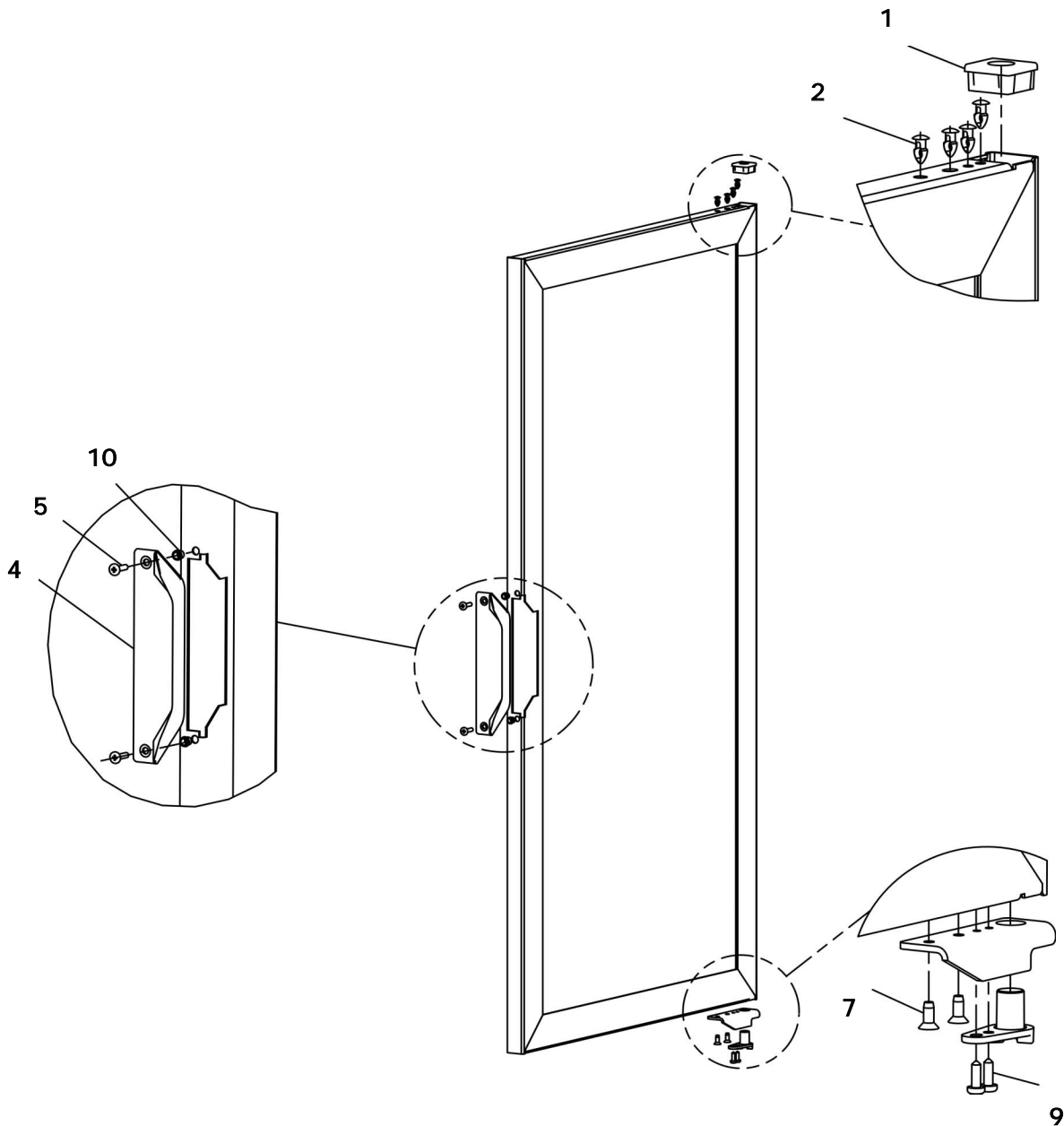


ITEM #	Part Number	Description	QTY.
1	79BC610005-03	DOOR ASY, 750L	1
2	79BC600204-01AA	BRACKET, MOUNTING LOWER DOOR RH BLACK	1
3	79BC550011-01	CAM, LOWER DOOR - RH MOUNT	1
4	401-246A-02	BRACKET, MOUNTING UPPER DOOR RH	1
5	603-400A	SCREW, 1/4-20 X 3/4 HHCS	4
6	603-086A--	SCREW, #8-32 X .375L	1
7	703-983A-02	PLUG, CABINET	4
8	603-174A--	SCREW, HWSM #14X3/4 BZP SD	1



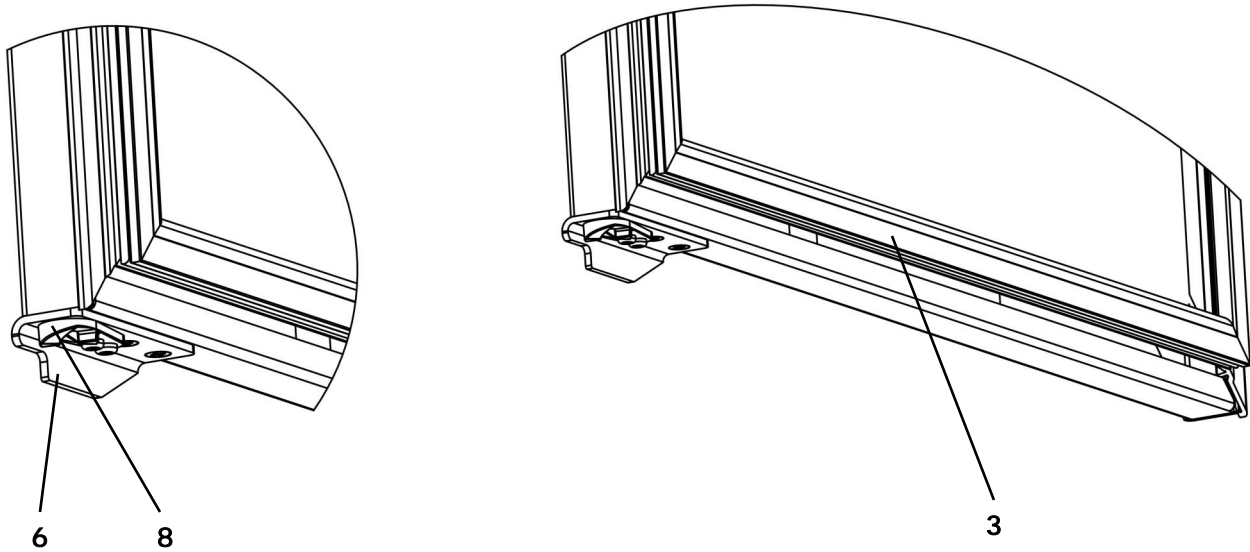
CABINET DOOR ASSEMBLY

SECTION - 13



CABINET DOOR ASSEMBLY

SECTION - 13

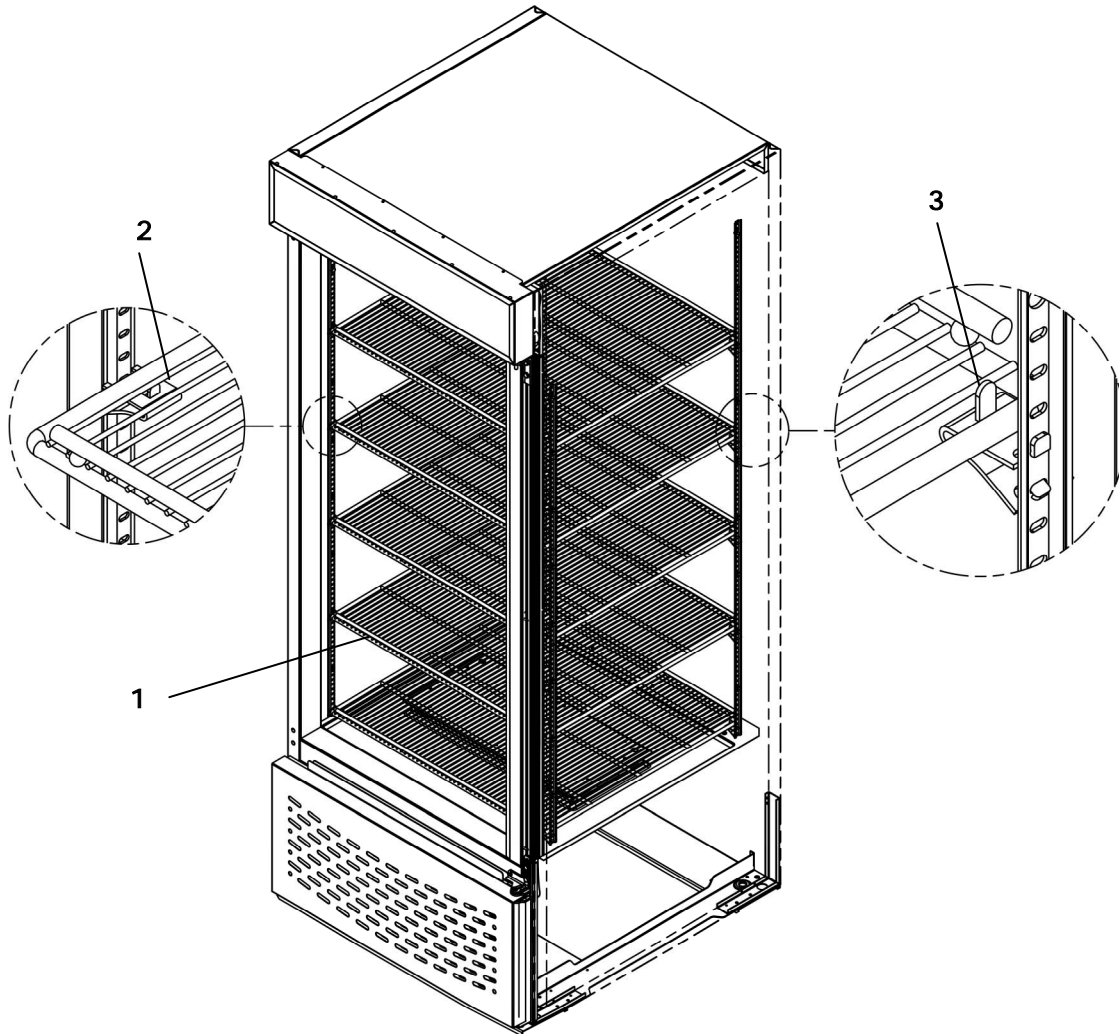


ITEM #	Part Number	Description	QTY.
1	79BC550015-01	BUSHING, DOOR-TOP	1
2	711-017A-03	PLUG,HOLE BLK .312 HD DIA	4
3	79BC550016-03	GASKET,DOOR 750L	1
4	79BC550019-01	HANDLE,DOOR RECESSED	1
5	603-399A	SCREW, PTMS 10-32 X .75L	2
6	79BC600205-01AA	BRACKET, LOWER-DOOR (RH) BLK	1
7	603-294A	SCREW, PFMS #10-32 X .50L	2
8	79BC550014-01	CAM,UPPER-DOOR - RH MOUNT	1
9	601-055A--	SCREW, PPSM #8 X .50L SD	2
10	604-161A	NUT, RIVET 10-32	2



CABINET SHELF COMPONENTS

SECTION - 14

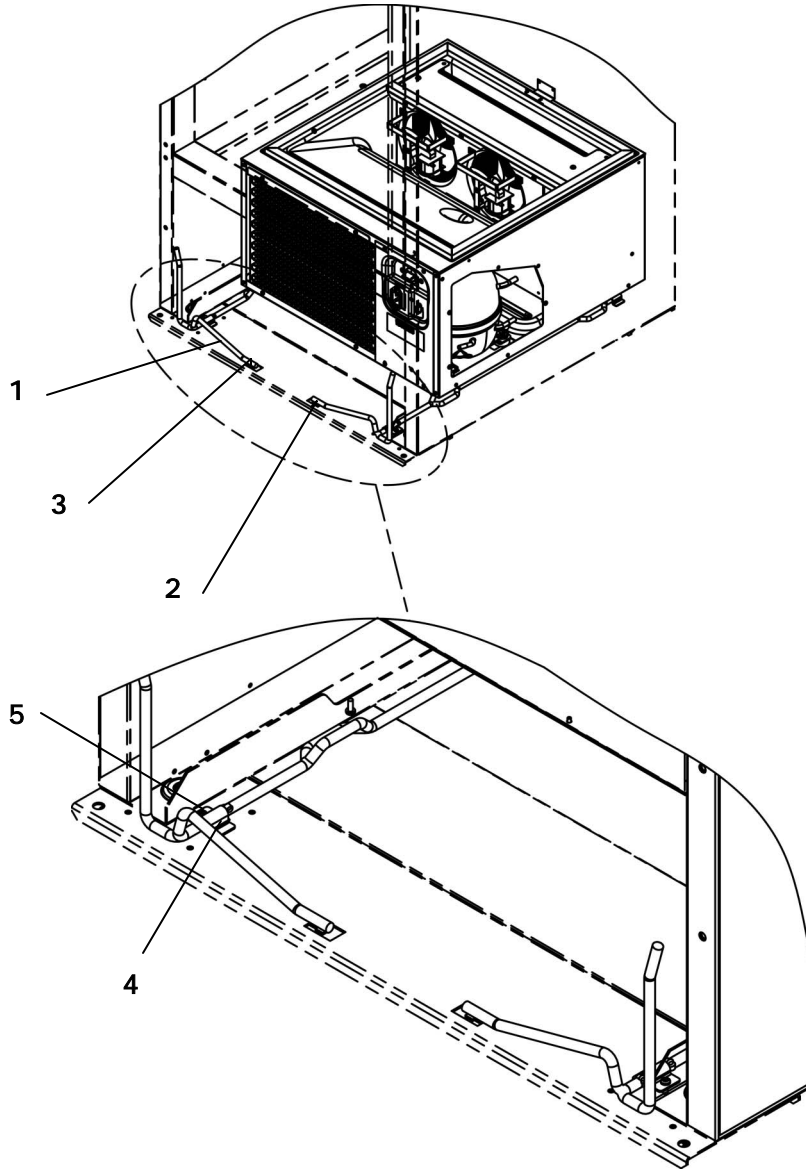


ITEM #	Part Number	Description	QTY.
1	79BC600152-02	SHELF, WIRE 750L (5 PACKAGE)	1
2	403-168A	CLIP, SHELF SHORT TAB	10
3	403-306A	CLIP, SHELF LONG TAB	10
4	79BC560002-01	INSTRUCTIONS, INSTALL AND OPERATING	1



CABINET LIFTING COMPONENTS

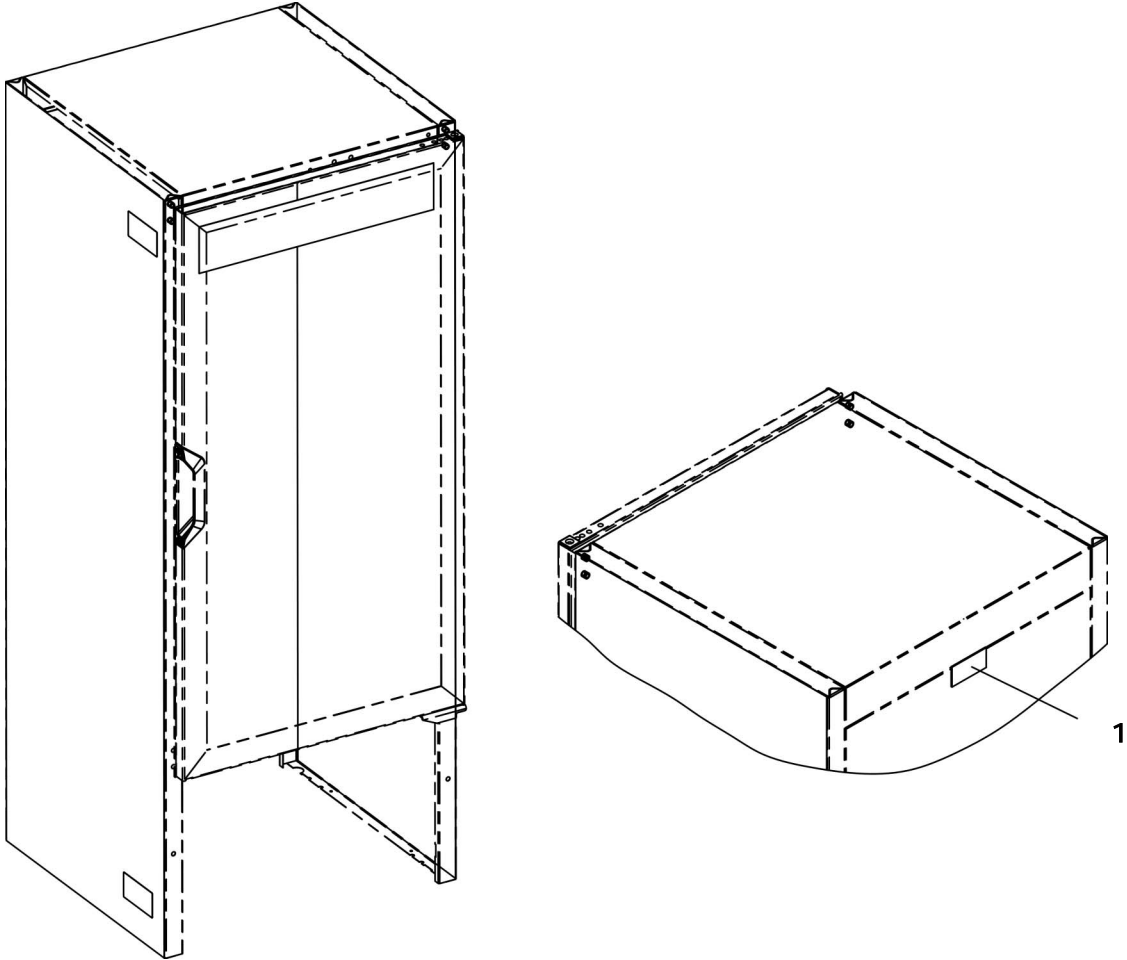
SECTION - 15



ITEM #	Part Number	Description	QTY.
1	79BC600049-03	ROD,LIFTING 750L LH	1
2	79BC600049-04	ROD,LIFTING 750L RH	1
3	504-133A--	TIE,WIRE 5.6L	2
4	79BC600044-01	CLAMP, LIFTING ROD	4
5	601-055A--	SCREW, PPSM #8 X .50L SD	4



CABINET LABEL COMPONENTS
SECTION - 17

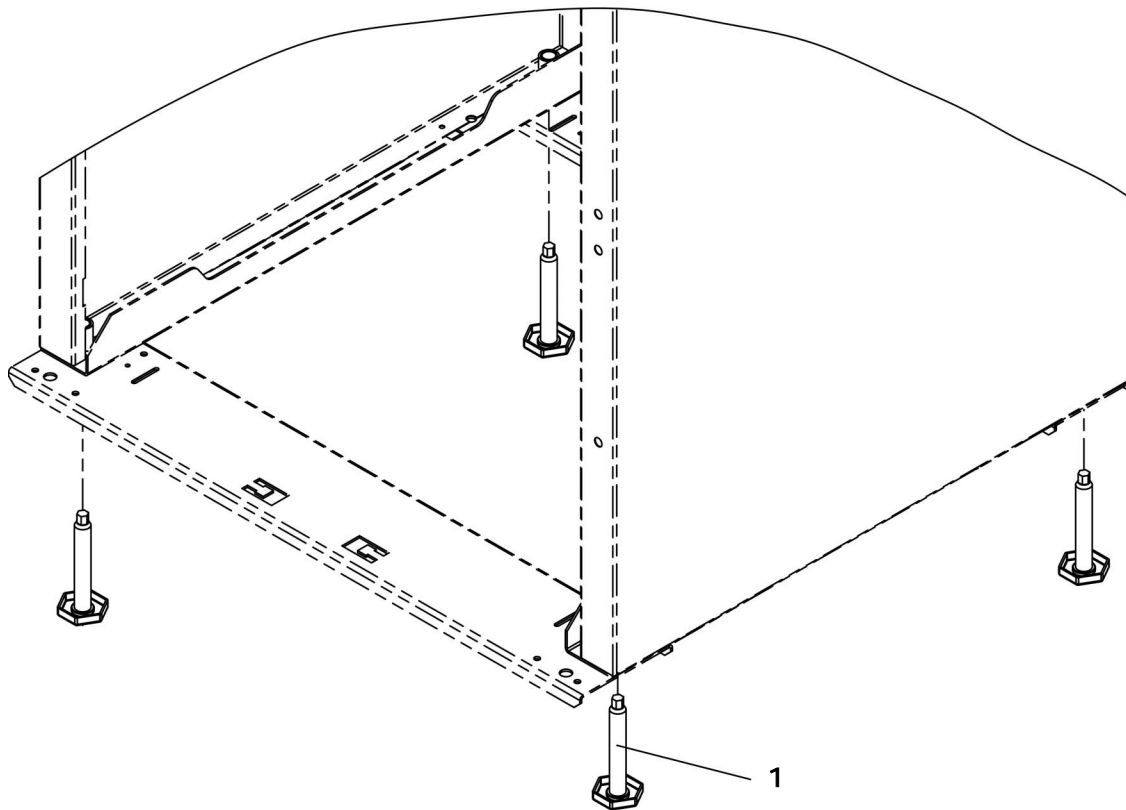


ITEM #	Part Number	Description	QTY.
1	26-0231-00	LABEL, WARN LAMP MERCURY	1



CABINET LEVELING COMPONENTS

SECTION - 16

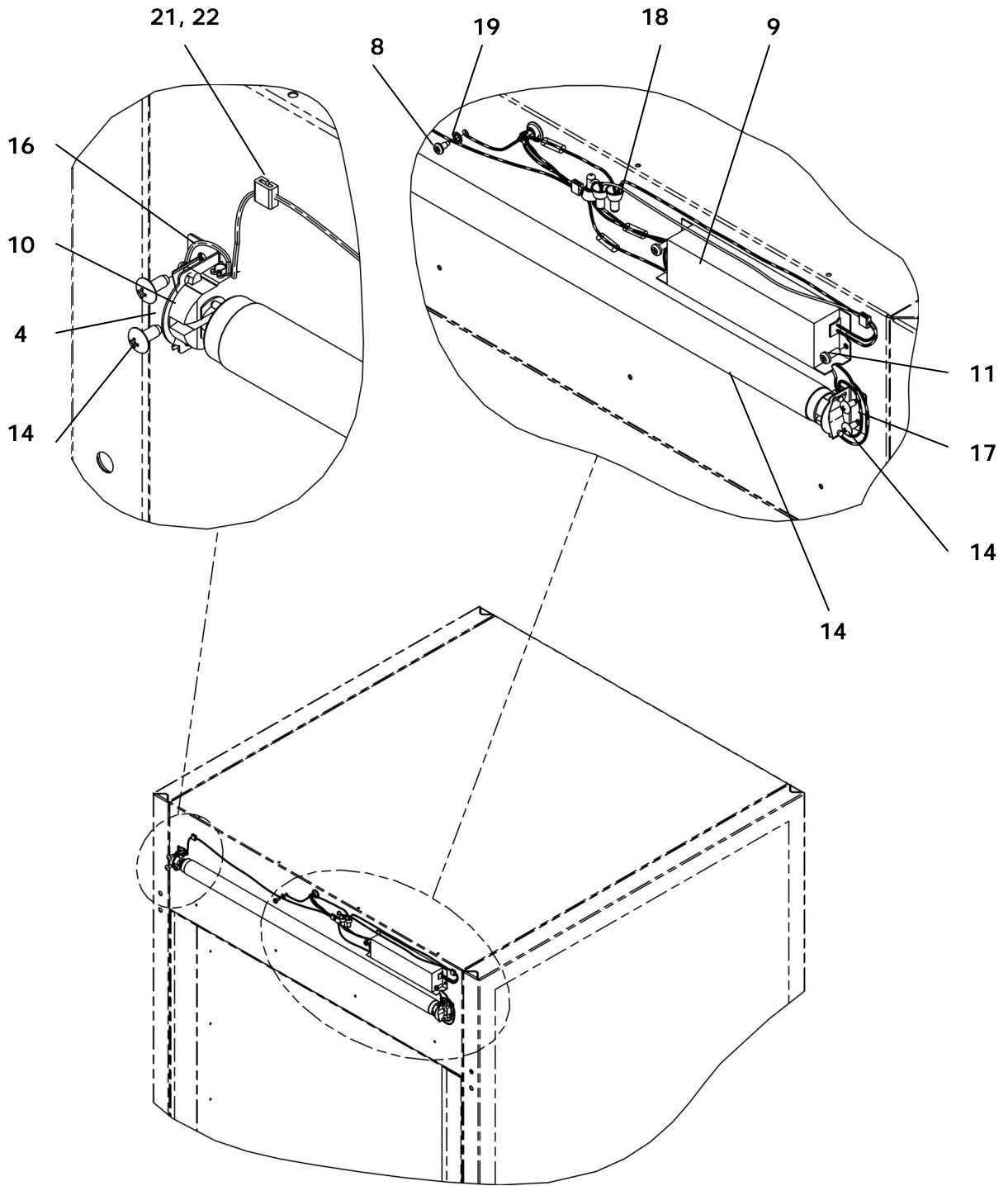


ITEM #	Part Number	Description	QTY.
1	401-670A	LEVELING LEG 1/2 -13 X 3.00	4



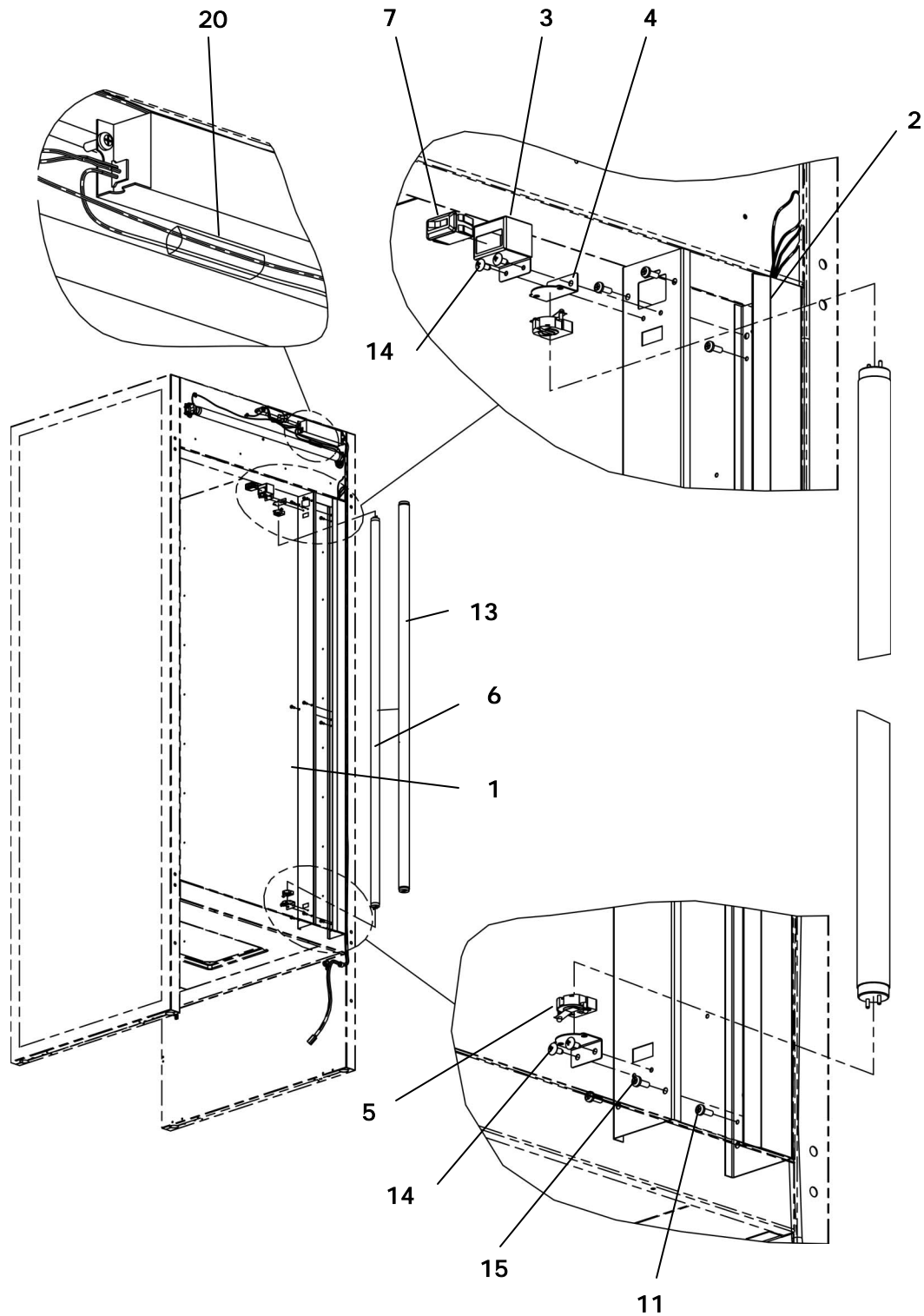
CABINET LIGHT COMPONENTS

SECTION - 18



CABINET LIGHT COMPONENTS

SECTION - 18



CABINET LIGHT COMPONENTS
SECTION - 18

ITEM #	Part Number	Description	QTY.
1	79BC600301-01AB	CHANNEL, VERTICAL LIGHT WHT	1
2	79BC600210-01AB	SHIELD, VERTICAL LIGHT WHT	1
3	79BC600299-01AB	BRACKET,MTG LIGHT SWITCH WHITE	1
4	41A01-260B-04	BRACKET,MTG RECEPTACLE	4
5	503-235B	RECEPTACLE	2
6	503-230B-02	LIGHT, FLOURESCENT	1
7	502-126A	SWITCH, LIGHT SPST	1
8	79BC270001-01	SCREW, #8 X 3/8L PPSM SD	1
9	503-246B-01	BALLAST, LIGHT 750L	1
10	503-238B	RECEPTACLE, LIGHT (SIDE WIRE)	2
11	601-055A--	SCREW, PPSM #8 X .50L SD	8
12	503-228B-02	LIGHT, FLOURESCENT	1
13	713-062C-03	SHIELD, LAMP	1
14	603-086A--	SCREW, #8-32 X .375L	8
15	601-002A--	SCREW, PTSM #8 X 1.25 A	6
16	504-227A	WIRE, RED #18 SOLID 2/64	0.6666
17	504-228A	WIRE, YEL #18 SOLID 2/64	0.6666
18	504-320A	CONNECTOR, CRIMP	3
19	603-120A--	WASHER, #8 INT STAR STL, ZINC 603-120A	1
20	504-150A--	HEAT SHRINK .375 DIA	1
21	504-342A	BASE,MOUNTING WIRE TIE (.25 HOLE)	3
22	504-133A--	TIE,WIRE 5.6L	3



UNIT OWNERS MANUAL
SECTION - iv

ITEM #	Part Number	Description	QTY.
1	79BC560002-01	INSTRUCTION, INSTALL AND OPERATION	1

