



## RESIDENTIAL STORAGE TANK REPLACEMENT PARTS LIST

### AST 40, 50, 80, 120 Gallon Models



#### Models Covered:

AST-40-6

AST-50-6

AST-80-6

AST-120-6

\*Denotes warranty year

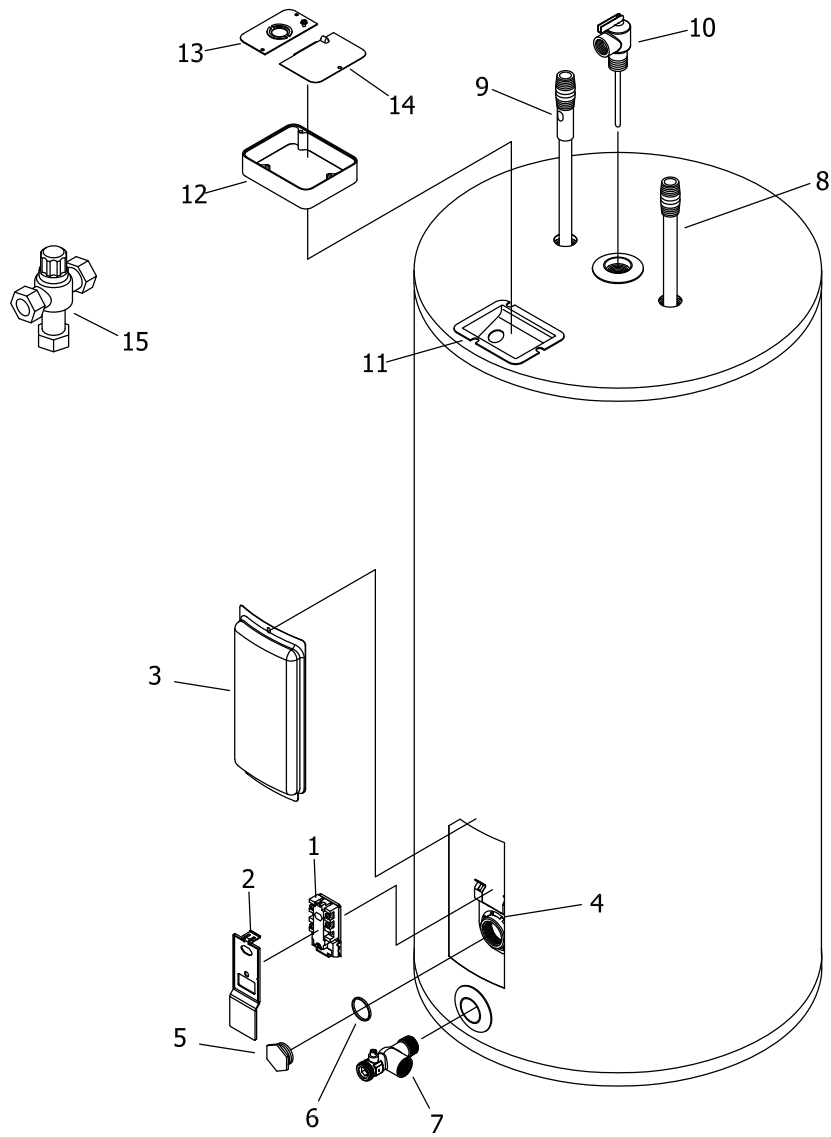
**Effective: October, 2024**  
**ECO 8780**

**NOTE: BOTH MODEL AND SERIAL  
NUMBERS ARE REQUIRED FOR  
ORDERING REPLACEMENT PARTS**

Dimensions and specifications  
subject to change without notice.



As required by the state of California Proposition 65.



Item Description	Model	Model	Model	Model
	AST-40-6	AST-50-6	AST-80-6	AST-120-6
1 Thermostat Kit w/ Cover & Bracket	<a href="#">415-50691-00</a>	<a href="#">415-50691-00</a>	<a href="#">415-50691-00</a>	<a href="#">415-50691-00</a>
2 Thermostat Cover	<a href="#">223-40399-00</a>	<a href="#">223-40399-00</a>	<a href="#">223-40399-00</a>	<a href="#">223-40399-00</a>
3 Thermostat Access Cover	<a href="#">243-36618-02</a>	<a href="#">243-36618-02</a>	<a href="#">243-36618-02</a>	<a href="#">243-36618-02</a>
4 Thermostat Mounting Bracket	239-50689-00	239-50689-00	239-50689-00	239-50689-00
5 Tank Plug	223-34020-00	223-34020-00	223-34020-00	223-34020-00
6 Tank Plug/Element Gasket	<a href="#">223-34019-00</a>	<a href="#">223-34019-00</a>	<a href="#">223-34019-00</a>	<a href="#">223-34019-00</a>
7 Drain/Return Plug	227-49556-02	227-49556-02	227-49556-02	227-49556-02
8 Cold Water Inlet Diptube, Hydrojet PEX	<a href="#">229-51230-08</a>	<a href="#">229-51230-08</a>	415-51230-09	415-43632-04
9 Hot Water Outlet/Anode Magnesium#	<a href="#">415-47776-05</a>	<a href="#">415-47776-05</a>	<a href="#">415-47776-05</a>	415-47780-01
Hot Water Outlet/Anode Aluminum#	415-55484-00	415-55484-00	415-55484-00	---
Hot Water Outlet/Anode (A420)#	415-55486-00	415-55486-00	415-55486-00	---
10 T&P Valve*	---	---	---	---
11 Electrical Junction Box	239-39450-00	239-39450-00	239-39450-00	239-39450-00
12 Electrical Junction Box Extender	239-40587-00	239-40587-00	239-40587-00	239-40587-00
13 Cover/Conduit Connection w/ Ground Screw	239-55386-00	239-55386-00	239-55386-00	239-55386-00
14 Junction Box Cover	243-39452-00	243-39452-00	243-39452-00	243-39452-00
15 ASSE Approved Mixing Valve	239-51778-00	239-51778-00	239-51778-00	239-51778-00

\* A combination temperature and pressure relief valve is required by code as a protective device.

It is not normally supplied by the tank manufacturer as original equipment. It is traditionally provided by the installer and is shown here for replacement parts purposes. The T&P valve for these storage tanks must be rated for the BTU input of the heater of the system where installed. P/N [230-32920-01](#)

T&P valve 3/4" NPT male thread rated to 100,000 BTU.

# Anodes may need to be cut to length.



## United States

---

**Sales** 1-800-523-2931  
**Technical Support** 1-800-334-3393  
**Email** [techsupport@bradfordwhite.com](mailto:techsupport@bradfordwhite.com)  
**Warranty** 1-800-531-2111  
**Email** [warranty@bradfordwhite.com](mailto:warranty@bradfordwhite.com)  
**Service Parts** 1-800-538-2020  
**Email** [parts@bradfordwhite.com](mailto:parts@bradfordwhite.com)

## Canada

---

**Sales** 1-866-690-0961 1-905-203-0600  
**Fax** 905-636-0666  
**Warranty** 1-800-531-2111  
**Email** [warranty@bradfordwhite.com](mailto:warranty@bradfordwhite.com)  
**Technical Support** 1-800-334-3393  
**Email** [techsupport@bradfordwhite.com](mailto:techsupport@bradfordwhite.com)  
**Service Parts and Orders** [ca.orders@bradfordwhite.com](mailto:ca.orders@bradfordwhite.com)

For U.S. and Canada field service, contact your professional installer or local Bradford White sales representative.

## International

---

**General Contact** [international@bradfordwhite.com](mailto:international@bradfordwhite.com)