



COMMERCIAL GAS REPLACEMENT PARTS LIST

High Efficiency Commercial Gas Models



Models Covered:

PAGE #3 SECTION 1: SERIAL NUMBERS

“XC-” (MAR. 2021) AND LATER:

EF60T125(E)*(N,X)(A)(2)

EF60T150(E)*(N,X)(A)(2)

EF60T199(E)*(N,X)(A)(2)

EF100T150(E)*(N,X)(A)(2)

EF100T199(E)*(N,X)(A)(2)

EF100T250(E)*(N,X)(A)(2)

EF100T300(E)*(N,X)(A)(2)

(*) Denotes Warranty Years

PAGE #13 SECTION 2: SERIAL NUMBERS

“XL-” (NOV. 2021) AND LATER

W/ -895 DESIGNATOR:

EF60T125(E)*(N,X)(A)(2)

EF60T150(E)*(N,X)(A)(2)

EF60T199(E)*(N,X)(A)(2)

EF100T150(E)*(N,X)(A)(2)

EF100T199(E)*(N,X)(A)(2)

(*) Denotes Warranty Years

Effective: June, 2025

ECO 8838

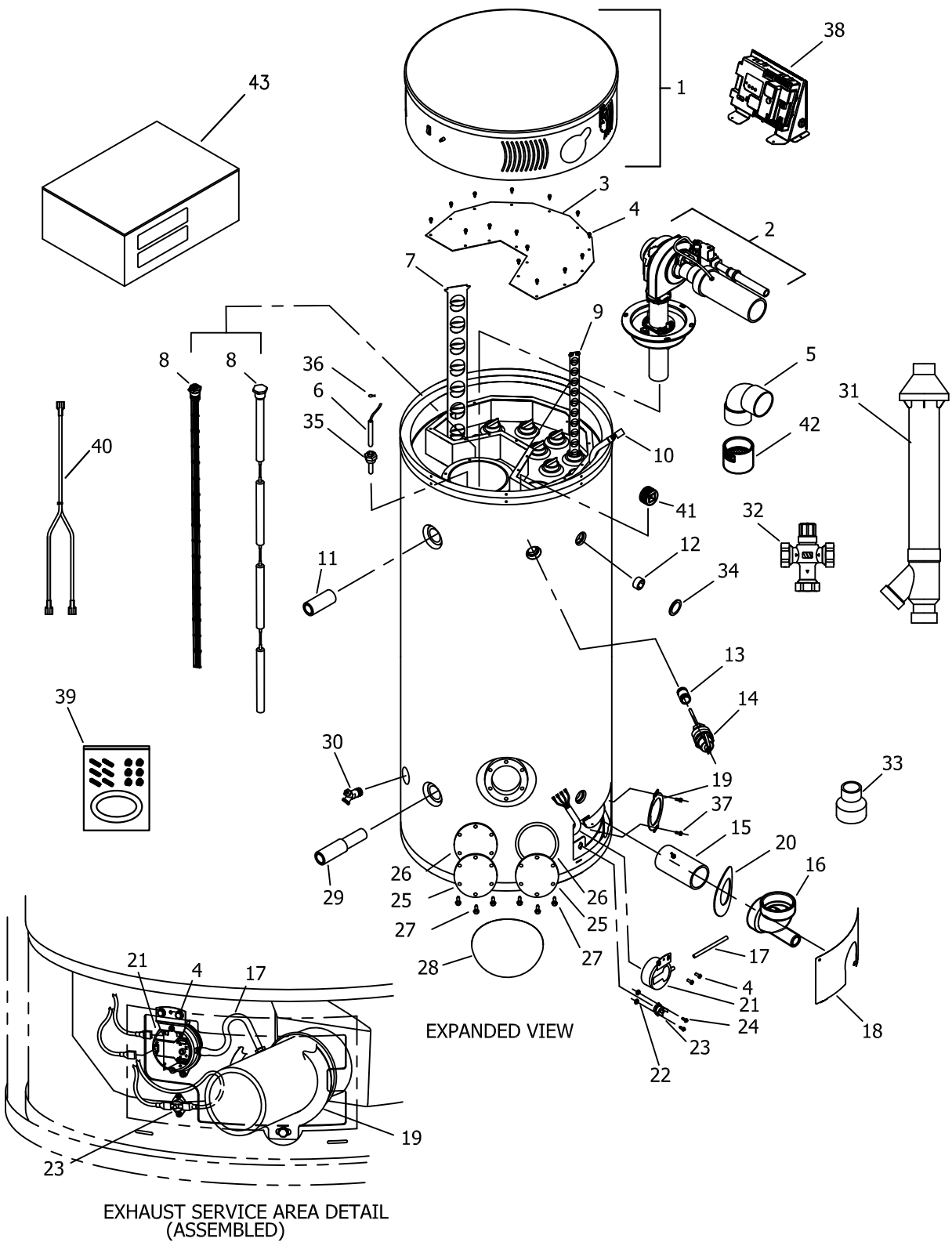
**NOTE: BOTH MODEL AND SERIAL
NUMBERS ARE REQUIRED FOR
ORDERING REPLACEMENT PARTS**

Dimensions and specifications
subject to change without notice.



As required by the state of California Proposition 65.

SECTION 1: Serial Numbers "XC-" (March 2021) and Later
APPLIES TO PAGES: 2 THROUGH 13



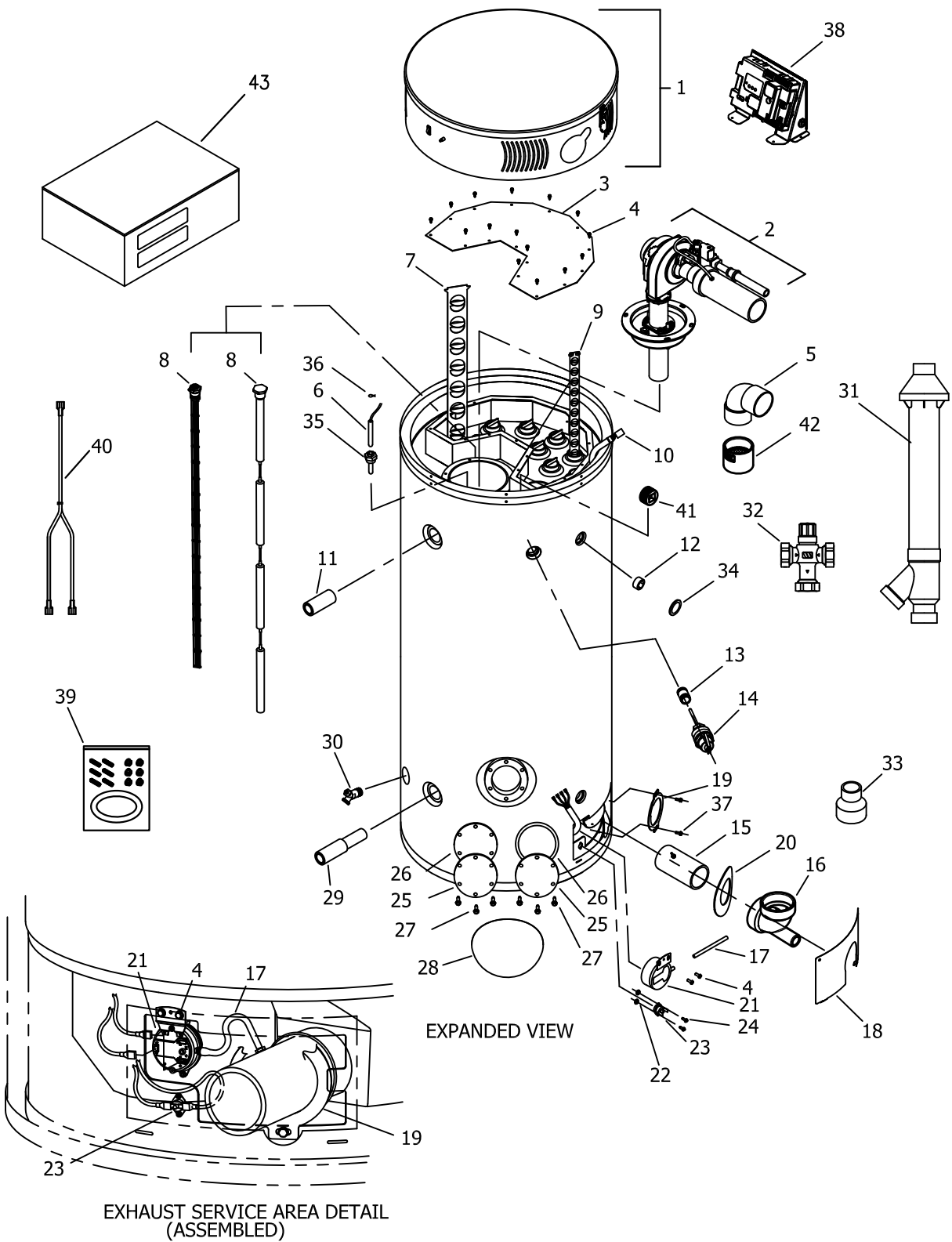
SECTION 1: Serial Numbers "XC-" (March 2021) and Later
APPLIES TO PAGES: 2 THROUGH 13

Item Description	Model	Model	Model
	EF60T125(E)*(N,X)(A)2	EF60T150(E)*(N,X)(A)2	EF60T199(E)*(N,X)(A)2
1 Combustion Surround Assembly	243-54046-01	243-54046-01	243-54046-01
2 Combustion System Assembly (Nat)	265-54043-01	265-54043-02	265-54043-03
Combustion System Assembly (LP)	265-54043-08	265-54043-09	265-54043-10
3 Collector Cover Second Pass	265-47921-00	265-47921-00	265-47921-00
4 Screw #10-16 x 3/4 3/4 HX/WSH ▲	239-44444-00	239-44444-00	239-44444-00
5 Elbow-Vent Terminal	415-40579-00	415-40579-00	415-40579-00
6 Temperature Sensor	415-46553-02	415-46553-02	415-46553-02
7 Baffle 4" Flue (2 Req'd)	243-43304-00	243-43304-00	243-43304-00
8 Anode Rod (Powered) (2 Req'd) (If Applicable)	415-46075-00	415-46075-00	415-46075-00
Segmented Magnesium Anode Rod (-897 models only)	415-55483-00	415-55483-00	415-55483-00
9 Baffle 2" Flue (8 Req'd)	239-45659-00	239-45659-00	239-45659-00
10 Wire Harness-Service Panel	239-43358-02	239-43358-02	239-43358-02
11 Nipple Hot Water Outlet Plastisert (Front Connect)	229-40913-07	229-40913-07	229-40913-07
12 Pipe Plug 1" NPT SQ Socket	239-02048-00	239-02048-00	239-02048-00
13 Nipple Plastisert T&P 3/4 NPT X 2	229-32762-02	229-32762-02	229-32762-02
14 T&P Relief Valve Female	415-30246-00	415-30246-00	415-30246-00
15 Exhaust Vent Pipe	239-45971-00	239-45971-00	239-45971-00
16 Condensate Elbow	415-43211-00	415-43211-00	415-43211-00
17 Silicone Tubing 3/16" I.D.	239-41718-00	239-41718-00	239-41718-00
18 Outer Door Service Panel	243-44668-00	243-44668-00	243-44668-00
19 Bracket Exhaust Support	239-44667-00	239-44667-00	239-44667-00
20 Escutcheon-Exhaust Pipe (EF Series)	239-43997-00	239-43997-00	239-43997-00
21 Exhaust Pressure Switch	415-46037-01	415-46037-01	415-46037-01
22 Keps Nut 6-32 (2 Req'd)	239-81844-00	239-81844-00	239-81844-00
23 Hi-Limit Switch	415-43238-02	415-43238-02	415-43238-02
24 Screw 6-32 x 3/8 (2 Req'd)	239-81843-00	239-81843-00	239-81843-00
25 Cleanout Cover	205-18428-00	205-18428-00	205-18428-00
Cleanout Cover (ASME)	205-32941-00	205-32941-00	205-32941-00
26 Cleanout Gasket	205-18427-00	205-18427-00	205-18427-00
Cleanout Gasket (ASME)	205-32942-00	205-32942-00	205-32942-00
27 Screw 5/16 - 18 x 1/2 (6 Req'd)	239-82166-00	239-82166-00	239-82166-00
Screw 5/16 - 18 x 3/4 (ASME) (6 Req'd)	239-32970-00	239-32970-00	239-32970-00
28 Clean Out Access Cover	221-20299-00	221-20299-00	221-20299-00
29 Dip Tube w/ Nipple Hydrojet (Front Connect)	415-44375-00	415-44375-00	415-44375-00
30 Drain Valve Brass (No Handle)	415-42351-02	415-42351-02	415-42351-02
31 Coaxial Vent Pipe with Terminal (Optional)	415-44069-01	415-44069-01	415-44069-01
32 Approved Mixing Valve (Optional)	239-51778-00	239-51778-00	239-51778-00
33 Reducer 3" x 2"	239-40902-00	239-40902-00	239-40902-00
34 Hole Closure	239-31547-02	239-31547-02	239-31547-02
35 Sensor Well	233-46558-01	233-46558-01	233-46558-01
36 Clip Thermostat	233-45242-00	233-45242-00	233-45242-00
37 Screw 1/4-20 x 5/8 Hex Washer (2 Req'd)	239-42637-00	239-42637-00	239-42637-00
38 ICON Control Box and Wiring (Powered Anodes only)	243-54158-00	243-54158-00	243-54158-00
ICON Control Box and Wiring (Magnesium Anodes) (-897 models only)	243-55242-00	243-55242-00	243-55242-00
39 Kit-Cleanout (Not For Use With ASME Tanks)	415-54256-00	415-54256-00	415-54256-00
40 Power Anode Harness	239-46070-00	239-46070-00	239-46070-00
41 Plug-3/4" NPT X Square Socket	239-11638-00	239-11638-00	239-11638-00
42 Coupling-Vent Terminal	239-46740-00	239-46740-00	239-46740-00
43 BMS Gateway Kit (Optional)	415-53943-00	415-53943-00	415-53943-00

* Applies to all warranties

▲ (Quantity 17) comes with item 3.

SECTION 1: Serial Numbers "XC-" (March 2021) and Later
APPLIES TO PAGES: 2 THROUGH 13

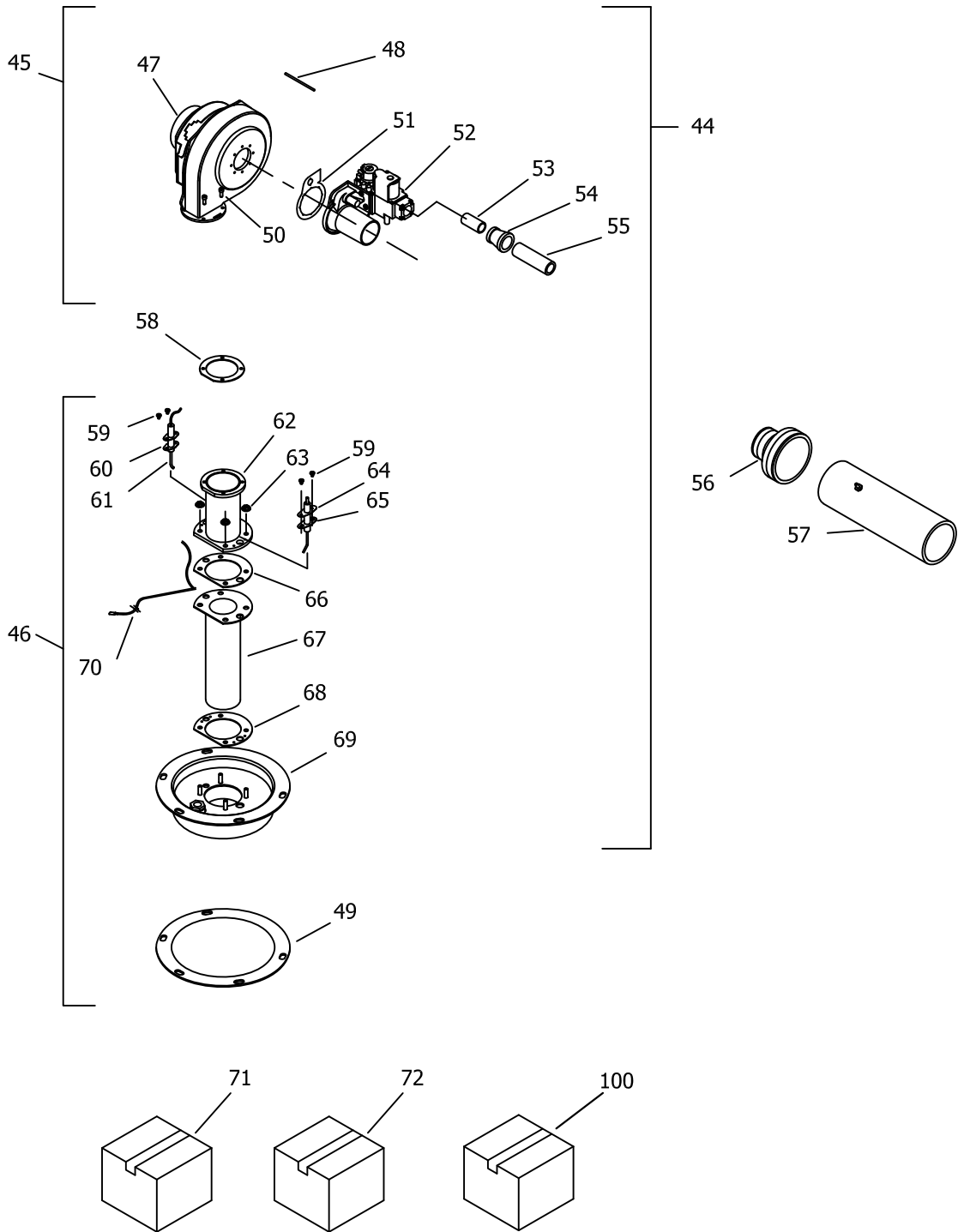


SECTION 1: Serial Numbers "XC-" (March 2021) and Later
APPLIES TO PAGES: 2 THROUGH 13

Item Description	Model	Model	Model	Model
	EF100T150(E)*(N,X)(A)2	EF100T199(E)*(N,X)(A)2	EF100T250(E)*(N,X)(A)2	EF100T300(E)*(N,X)(A)2
1 Combustion Surround Assembly	243-54046-01	243-54046-01	243-54046-01	243-54046-01
2 Combustion System Assembly (Nat)	265-54043-04	265-54043-05	265-54043-06	265-54043-07
Combustion System Assembly (LP)	265-54043-11	265-54043-12	265-54043-13	265-54043-14
3 Collector Cover Second Pass	265-47921-00	265-47921-00	265-47921-00	265-47921-00
4 Screw #10-16 x 3/4 HX/WSH	239-44444-00	239-44444-00	239-44444-00	239-44444-00
5 Elbow-Vent Terminal	415-40579-00	415-40579-00	415-40579-00	415-40579-00
6 Temperature Sensor	415-46553-02	415-46553-02	415-46553-02	415-46553-02
7 Baffle 4" Flue (2 Req'd)	---	243-43304-00	243-43304-00	243-43304-00
8 Anode Rod (Powered) (2 Req'd) (If Applicable)	415-46075-00	415-46075-00	415-46075-00	415-46075-00
Segmented Magnesium Anode Rod (-897 models only)	415-55483-00	415-55483-00	415-55483-00	415-55483-00
9 Baffle 2" Flue (8 Req'd)	239-45658-00	239-45658-00	239-45658-00	239-45658-00
10 Wire Harness-Service Panel	239-43358-01	239-43358-01	239-43358-01	239-43358-01
11 Nipple Hot Water Outlet Plastisert (Front Connect)	229-40913-07	229-40913-07	229-40913-07	229-40913-07
12 Pipe Plug 1" NPT SQ Socket	239-02048-00	239-02048-00	239-02048-00	239-02048-00
13 Nipple Plastisert T&P 3/4 NPT X 2	229-32762-02	229-32762-02	415-50053-02	415-50053-02
14 T&P Relief Valve Female	415-30246-00	415-30246-00	415-33630-04	415-33630-04
15 Exhaust Vent Pipe	239-45971-00	239-45971-00	239-45971-00	239-45971-00
16 Condensate Elbow	415-43211-00	415-43211-00	415-43211-00	415-43211-00
17 Silicone Tubing 3/16" I.D.	239-41718-00	239-41718-00	239-41718-00	239-41718-00
18 Outer Door Service Panel	243-44668-00	243-44668-00	243-44668-00	243-44668-00
19 Bracket Exhaust Support	239-44667-00	239-44667-00	239-44667-00	239-44667-00
20 Escutcheon-Exhaust Pipe (EF Series)	239-43997-00	239-43997-00	239-43997-00	239-43997-00
21 Exhaust Pressure Switch	415-46037-01	415-46037-01	415-46037-01	415-46037-01
22 Keps Nut 6-32 (2 Req'd)	239-81844-00	239-81844-00	239-81844-00	239-81844-00
23 Hi-Limit Switch	415-43238-02	415-43238-02	415-43238-02	415-43238-02
24 Screw 6-32 x 3/8 (2 Req'd)	239-81843-00	239-81843-00	239-81843-00	239-81843-00
25 Cleanout Cover	205-18428-00	205-18428-00	205-18428-00	205-18428-00
Cleanout Cover (ASME)	205-32941-00	205-32941-00	205-32941-00	205-32941-00
26 Cleanout Gasket	205-18427-00	205-18427-00	205-18427-00	205-18427-00
Cleanout Gasket (ASME)	205-32942-00	205-32942-00	205-32942-00	205-32942-00
27 Screw 5/16 - 18 x 1/2 (6 Req'd)	239-82166-00	239-82166-00	239-82166-00	239-82166-00
27 Screw 5/16 - 18 x 3/4 (ASME) (6 Req'd)	239-32970-00	239-32970-00	239-32970-00	239-32970-00
28 Clean Out Access Cover	221-20299-00	221-20299-00	221-20299-00	221-20299-00
29 Dip Tube w/ Nipple Hydrojet (Front Connect)	415-44375-00	415-44375-00	415-44375-00	415-44375-00
30 Drain Valve Brass (No Handle)	415-42351-02	415-42351-02	415-42351-02	415-42351-02
31 Coaxial Vent Pipe with Terminal (Optional)	415-44069-01	415-44069-01	415-44069-01	415-44069-01
32 Approved Mixing Valve (Optional)	239-51778-00	239-51778-00	239-51778-00	239-51778-00
33 Reducer 3" x 2"	239-40902-00	239-40902-00	239-40902-00	239-40902-00
34 Hole Closure	239-31547-02	239-31547-02	239-31547-02	239-31547-02
35 Sensor Well	233-46558-01	233-46558-01	233-46558-01	233-46558-01
36 Clip Thermostat	233-45242-00	233-45242-00	233-45242-00	233-45242-00
37 Screw 1/4-20 x 5/8 Hex Washer (2 Req'd)	239-42637-00	239-42637-00	239-42637-00	239-42637-00
38 ICON Control Box and Wiring (Powered Anodes only)	243-54158-00	243-54158-00	243-54158-00	243-54158-00
ICON Control Box & Wiring (Mag Anodes)(-897 only)	243-55242-00	243-55242-00	243-55242-00	243-55242-00
39 Kit-Cleanout (Not For Use With ASME Tanks)	415-54256-00	415-54256-00	415-54256-00	415-54256-00
40 Power Anode Harness	239-46070-00	239-46070-00	239-46070-00	239-46070-00
41 Plug-3/4" NPT X Square Socket	239-11638-00	239-11638-00	239-11638-00	239-11638-00
42 Coupling-Vent Terminal	239-46740-00	239-46740-00	239-46740-00	239-46740-00
43 BMS Gateway Kit (Optional)	415-53943-00	415-53943-00	415-53943-00	415-53943-00

* Applies to all warranties

SECTION 1: Serial Numbers "XC-" (March 2021) and Later
APPLIES TO PAGES: 2 THROUGH 13

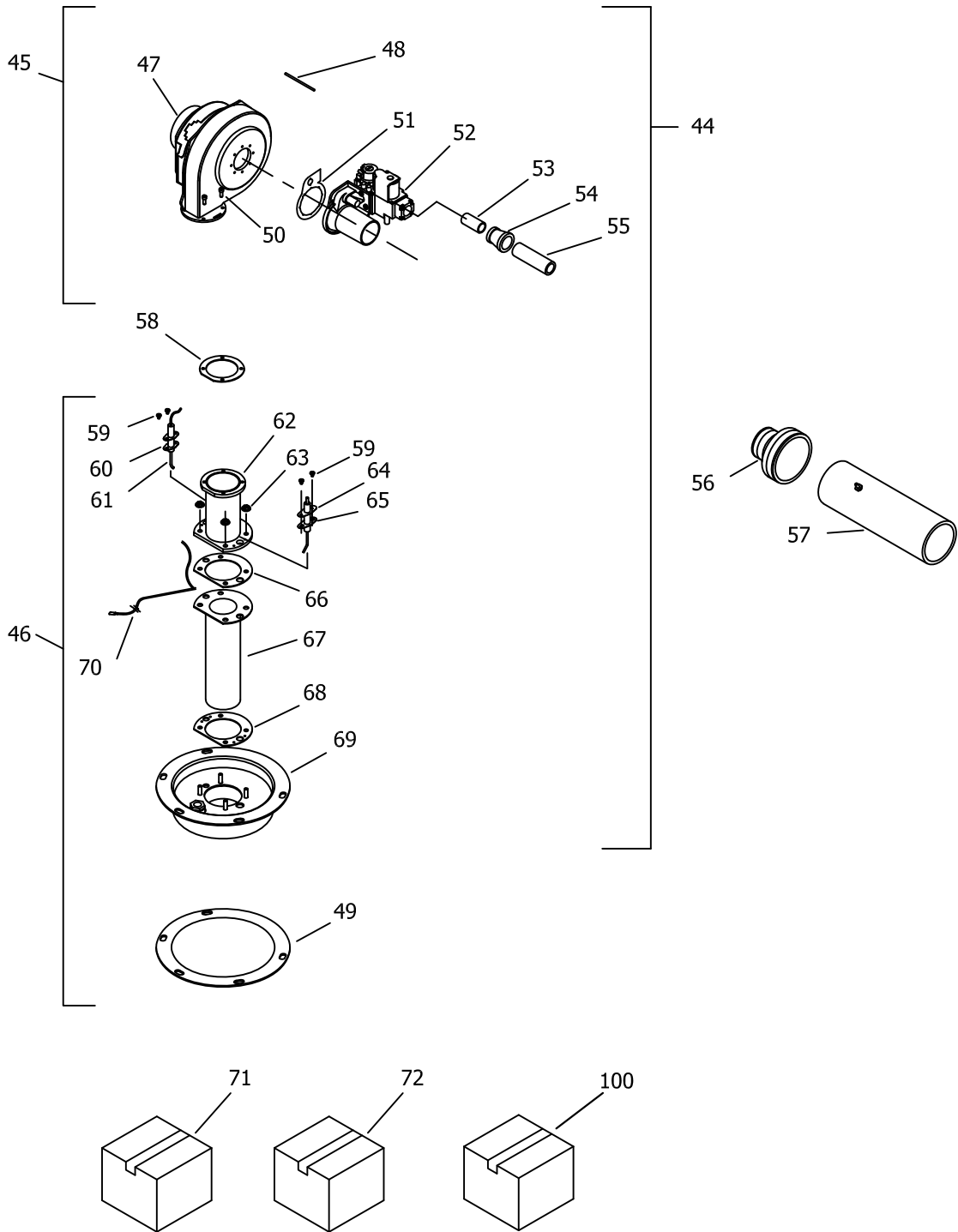


SECTION 1: Serial Numbers "XC-" (March 2021) and Later
APPLIES TO PAGES: 2 THROUGH 13

Item Description	Model	Model	Model
	EF60T125(E)*(N,X)(A)2	EF60T150(E)*(N,X)(A)2	EF60T199(E)*(N,X)(A)2
44 Combustion System Assembly (Nat)	265-54043-01	265-54043-02	265-54043-03
Combustion System Assembly (LP)	265-54043-08	265-54043-09	265-54043-10
45 Blower and Gas Valve Assembly (Nat)	265-54044-01	265-54044-02	265-54044-03
Blower and Gas Valve Assembly (LP)	265-54044-08	265-54044-09	265-54044-10
46 Burner Assembly EF	265-46024-00	265-46024-00	265-46024-00
47 Blower	415-51225-00	415-51225-00	415-54727-00
48 Silicone Tubing 3/16" I.D.	239-41718-00	239-41718-00	239-41718-00
49 Burner Mounting Insert Gasket**	239-43197-00	239-43197-00	239-43197-00
50 Screw #10-32 x 3/4 SHCS (4 Req'd)	239-43273-00	239-43273-00	239-43273-00
51 Gasket Venturi to Blower	239-44654-00	239-44654-00	239-44654-00
52 Gas Valve Assembly (Nat)	265-54040-01	265-54040-02	265-54040-03
Gas Valve Assembly (LP)	265-54041-01	265-54041-02	265-54041-03
53 Nipple 1/2 NPT X 3"	239-37047-00	239-37047-00	239-37047-00
54 Reducer 3/4 x 1/2 NPT	239-04474-00	239-04474-00	239-04474-00
55 Nipple 3/4 NPT x 7"	239-43373-00	239-43373-00	239-43373-00
56 Reducer 3" x 2"	239-40902-00	239-40902-00	239-40902-00
57 Inlet Tube (PVC)	239-43364-01	239-43364-01	239-43364-01
58 Gasket Blower Transition	239-43241-00	239-43241-00	239-43241-00
59 Screw #8-32 x 1/4 RHCR (4 Req'd)	239-43272-00	239-43272-00	239-43272-00
60 Flame Sensor Gasket	239-43371-00	239-43371-00	239-43371-00
61 Flame Sensor w/ Gasket	415-43232-00	415-43232-00	415-43232-00
62 Blower Transition Weldment	239-43201-00	239-43201-00	239-43201-00
63 Nut Hex 1/4 20 Washer (4 Req'd)	239-43297-00	239-43297-00	239-43297-00
64 Spark Rod (w/ Gasket)	415-46481-00	415-46481-00	415-46481-00
65 Spark Rod Gasket	239-43370-00	239-43370-00	239-43370-00
66 Burner Mounting Gasket	239-43246-00	239-43246-00	239-43246-00
67 Burner Tube Kit (w/ Gasket)	415-53033-00	415-53033-00	415-53033-00
68 Burner Mounting Gasket	239-43246-00	239-43246-00	239-43246-00
69 Burner Mounting Insert	239-43167-00	239-43167-00	239-43167-00
70 Ground Wire Assembly 24" Green	239-51994-00	239-51994-00	239-51994-00
71 Gas Regulator Kit (optional)	243-45517-00	243-45517-00	243-45517-00
72 LP to Natural Gas Conversion Kit	265-54048-03	265-54048-02	265-54048-01
100 Common Venting Kit 3"-6" - PVC	415-54696-00	415-54696-00	415-54696-00
Common Venting Kit 3"-6"- Polypro	415-54697-00	415-54697-00	415-54697-00

* Applies to all warranties

SECTION 1: Serial Numbers "XC-" (March 2021) and Later
APPLIES TO PAGES: 2 THROUGH 13

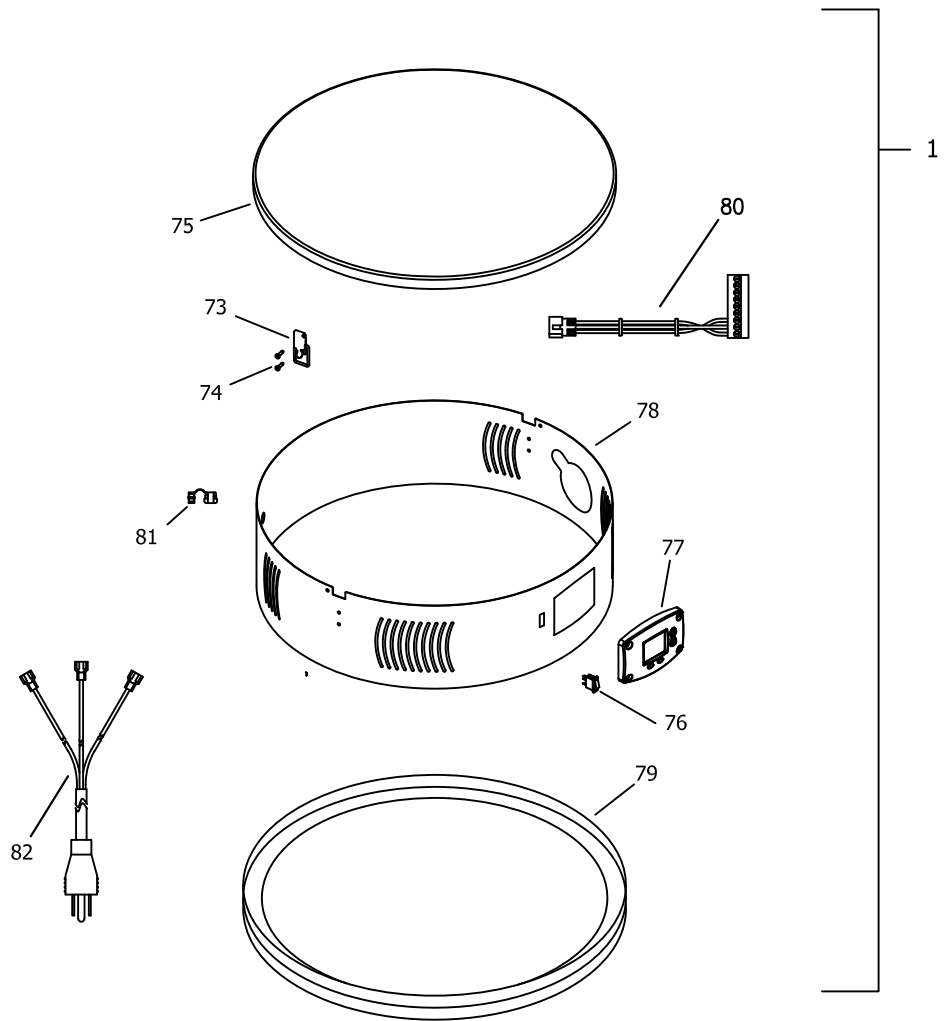


SECTION 1: Serial Numbers "XC-" (March 2021) and Later
APPLIES TO PAGES: 2 THROUGH 13

Item Description	Model	Model	Model	Model
	EF100T150(E)*(N,X)(A)2	EF100T199(E)*(N,X)(A)2	EF100T250(E)*(N,X)(A)2	EF100T300(E)*(N,X)(A)2
44 Combustion System Assembly (Nat)	265-54043-04	265-54043-05	265-54043-06	265-54043-07
Combustion System Assembly (LP)	265-54043-11	265-54043-12	265-54043-13	265-54043-14
45 Blower and Gas Valve Assembly (Nat)	265-54044-04	265-54044-05	265-54044-06	265-54044-07
Blower and Gas Valve Assembly (LP)	265-54044-11	265-54044-12	265-54044-13	265-54044-14
46 Burner Assembly EF	265-46024-00	265-46024-00	265-46024-00	265-46024-00
47 Blower	415-51225-00	415-54729-00	415-54729-00	415-54729-00
48 Silicone Tubing 3/16" I.D.	239-41718-00	239-41718-00	239-41718-00	239-41718-00
49 Burner Mounting Insert Gasket**	239-43197-00	239-43197-00	239-43197-00	239-43197-00
50 Screw #10-32 x 3/4 SHCS (4 Req'd)	239-43273-00	239-43273-00	239-43273-00	239-43273-00
51 Gasket Venturi to Blower	239-44654-00	239-44654-00	239-44654-00	239-44654-00
52 Gas Valve Assembly (Nat)	265-54040-04	265-54040-05	265-54040-06	265-54040-07
Gas Valve Assembly (LP)	265-54041-04	265-54041-05	265-54041-06	265-54041-07
53 Nipple 1/2 NPT X 3"	239-37047-00	239-37047-00	239-37047-00	239-37047-00
54 Reducer 3/4 x 1/2 NPT	239-04474-00	239-04474-00	239-04474-00	239-04474-00
55 Nipple 3/4 NPT x 7"	239-43373-00	239-43373-00	239-43373-00	239-43373-00
56 Reducer 3" x 2"	239-40902-00	239-40902-00	239-40902-00	239-40902-00
57 Inlet Tube (PVC)	239-43364-01	239-43364-01	239-43364-01	239-43364-01
58 Gasket Blower Transition	239-43241-00	239-43241-00	239-43241-00	239-43241-00
59 Screw #8-32 x 1/4 RHCR (4 Req'd)	239-43272-00	239-43272-00	239-43272-00	239-43272-00
60 Flame Sensor Gasket	239-43371-00	239-43371-00	239-43371-00	239-43371-00
61 Flame Sensor w/ Gasket	415-43232-00	415-43232-00	415-43232-00	415-43232-00
62 Blower Transition Weldment	239-43201-00	239-43201-00	239-43201-00	239-43201-00
63 Nut Hex 1/4-20 Washer (4 Req'd)	239-43297-00	239-43297-00	239-43297-00	239-43297-00
64 Spark Rod (w/ Gasket)	415-46481-00	415-46481-00	415-46481-00	415-46481-00
65 Spark Rod Gasket	239-43370-00	239-43370-00	239-43370-00	239-43370-00
66 Burner Mounting Gasket	239-43246-00	239-43246-00	239-43246-00	239-43246-00
67 Burner Tube Kit (w/ Gasket)	415-53033-00	415-53033-00	415-53033-00	415-53033-00
68 Burner Mounting Gasket	239-43246-00	239-43246-00	239-43246-00	239-43246-00
69 Burner Mounting Insert	239-43167-00	239-43167-00	239-43167-00	239-43167-00
70 Ground Wire Assembly 24" Green	239-51994-00	239-51994-00	239-51994-00	239-51994-00
70 Gas Regulator Kit (optional)	243-45517-00	243-45517-00	243-45517-00	243-45517-00
72 LP to Natural Gas Conversion Kit	265-54048-07	265-54048-06	265-54048-05	265-54048-04
100 Common Venting Kit 3"-6"- PVC	415-54696-00	415-54696-00	415-54696-00	415-54696-00
Common Venting Kit 3"-6" - Polypro	415-54697-00	415-54697-00	415-54697-00	415-54697-00

* Applies to all warranties

SECTION 1: Serial Numbers "XC-" (March 2021) and Later
APPLIES TO PAGES: 2 THROUGH 13



SECTION 1: Serial Numbers "XC-" (March 2021) and Later
APPLIES TO PAGES: 2 THROUGH 13

	Model EF60T125(E)*(N,X)(A)2	Model EF60T150(E)*(N,X)(A)2	Model EF60T199(E)*(N,X)(A)2
1 Combustion Surround Assembly	243-54046-01	243-54046-01	243-54046-01
73 Keeper Latch & Catch	239-43239-00	239-43239-00	239-43239-00
74 Screw 8-32 x 1/2 RHCR (2 Req'd)**	239-41715-00	239-41715-00	239-41715-00
75 Surround Head-EF Comm.	243-45823-02	243-45823-02	243-45823-02
76 Main Power Switch	239-43234-00	239-43234-00	239-43234-00
77 Control Display-ICON System	415-54047-00	415-54047-00	415-54047-00
78 Ring Combustion Surround	239-47305-02	239-47305-02	239-47305-02
79 Combustion Surround Base	239-51296-02	239-51296-02	239-51296-02
80 Display to Control Harness	239-48168-00	239-48168-00	239-48168-00
81 Strain Relief Bushing (Power Cord)	239-80372-00	239-80372-00	239-80372-00
82 Power Cord-96"	239-44466-00	239-44466-00	239-44466-00

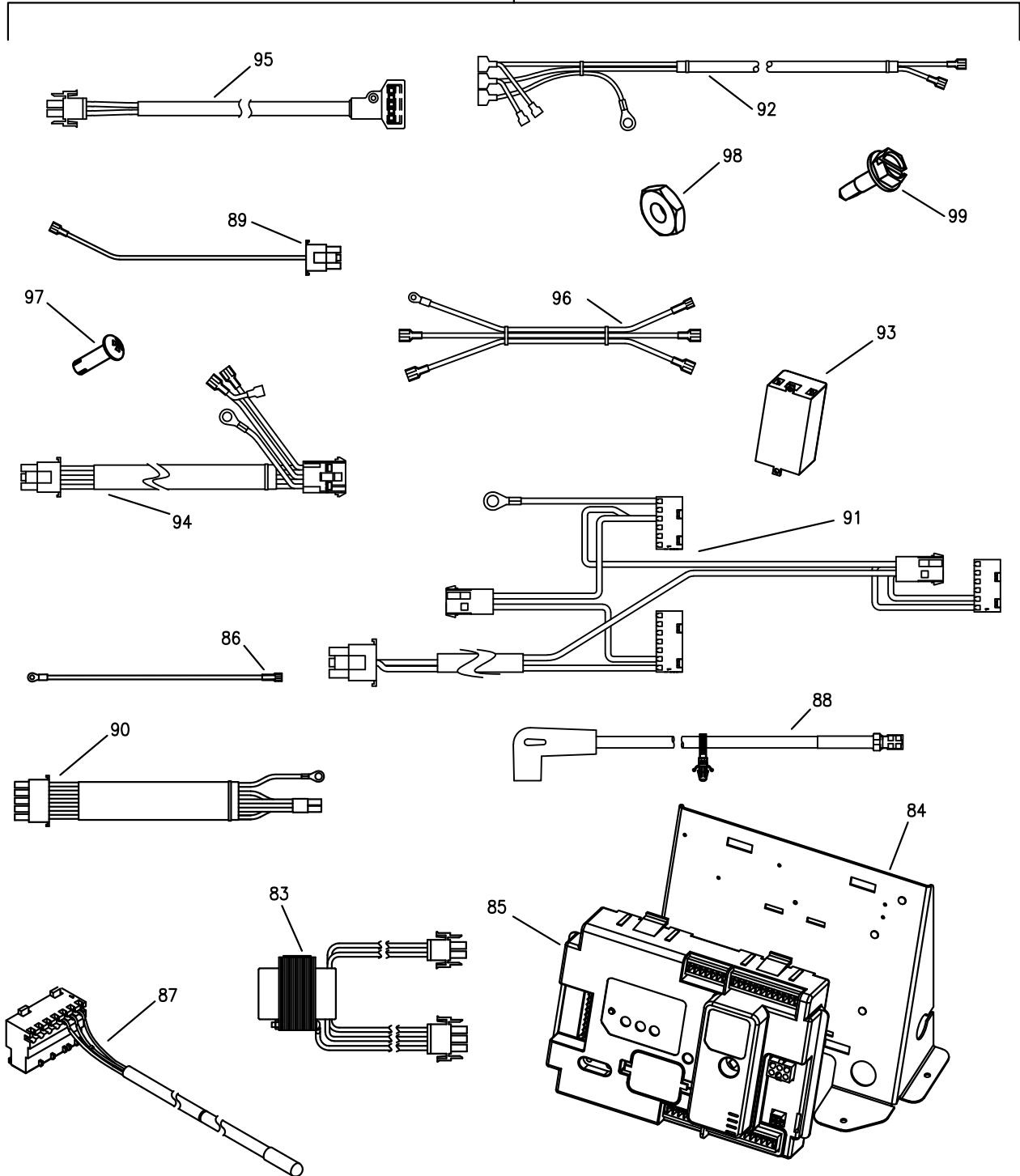
	Model EF100T150(E)*(N,X)(A)2	Model EF100T199(E)*(N,X)(A)2	Model EF100T250(E)*(N,X)(A)2	Model EF100T300(E)*(N,X)(A)2
1 Combustion Surround Assembly	243-54046-01	243-54046-01	243-54046-01	243-54046-01
73 Keeper Latch & Catch	239-43239-00	239-43239-00	239-43239-00	239-43239-00
74 Screw 8-32 x 1/2 RHCR (2 Req'd)**	239-41715-00	239-41715-00	239-41715-00	239-41715-00
75 Surround Head-EF Comm.	243-45823-02	243-45823-02	243-45823-02	243-45823-02
76 Main Power Switch	239-43234-00	239-43234-00	239-43234-00	239-43234-00
77 Control Display-ICON System	415-54047-00	415-54047-00	415-54047-00	415-54047-00
78 Ring Combustion Surround	239-47305-02	239-47305-02	239-47305-02	239-47305-02
79 Combustion Surround Base	239-51296-02	239-51296-02	239-51296-02	239-51296-02
80 Display to Control Harness	239-48168-00	239-48168-00	239-48168-00	239-48168-00
81 Strain Relief Bushing (Power Cord)	239-80372-00	239-80372-00	239-80372-00	239-80372-00
82 Power Cord-96"	239-44466-00	239-44466-00	239-44466-00	239-44466-00

** (Quantity 4) comes with item 75.

SECTION 1: Serial Numbers "XC-" (March 2021) and Later

APPLIES TO PAGES: 2 THROUGH 13
(POWERED ANODES ONLY)

38



SECTION 1: Serial Numbers "XC-" (March 2021) and Later
APPLIES TO PAGES: 2 THROUGH 13
(POWERED ANODES ONLY)

	Model EF60T125(E)*(N,X)(A)2	Model EF60T150(E)*(N,X)(A)2	Model EF60T199(E)*(N,X)(A)2
38 ICON Control Box and Wiring (Powered Anodes)	243-54158-00	243-54158-00	243-54158-00
83 Transformer 120V to 24V	233-50559-00	233-50559-00	233-50559-00
84 Control Panel	239-50514-00	239-50514-00	239-50514-00
85 Module-ICON System	415-54156-01	415-54156-01	415-54156-01
86 Ground Wire	239-38951-88	239-38951-88	239-38951-88
87 T-Stat Sensor Harness	239-48587-00	239-48587-00	239-48587-00
88 High Voltage Spark Cable	265-50887-00	265-50887-00	265-50887-00
89 Flame Sensor Wire	239-48237-00	239-48237-00	239-48237-00
90 Blower Modulation Harness	239-48170-00	239-48170-00	239-48170-00
91 Wire Harness Low Fire Start	239-53460-00	239-53460-00	239-53460-00
92 Power Cord/Switch Harness	239-54969-00	239-54969-00	239-54969-00
94 Blower Power Harness	239-48617-00	239-48617-00	239-48617-00
95 Rectifier Harness	239-43571-00	239-43571-00	239-43571-00
98 Nut 8-32 Keps	239-80029-00	239-80029-00	239-80029-00
99 Screw-#8-18 X 1/2	239-32761-00	239-32761-00	239-32761-00

* Applies to all warranties

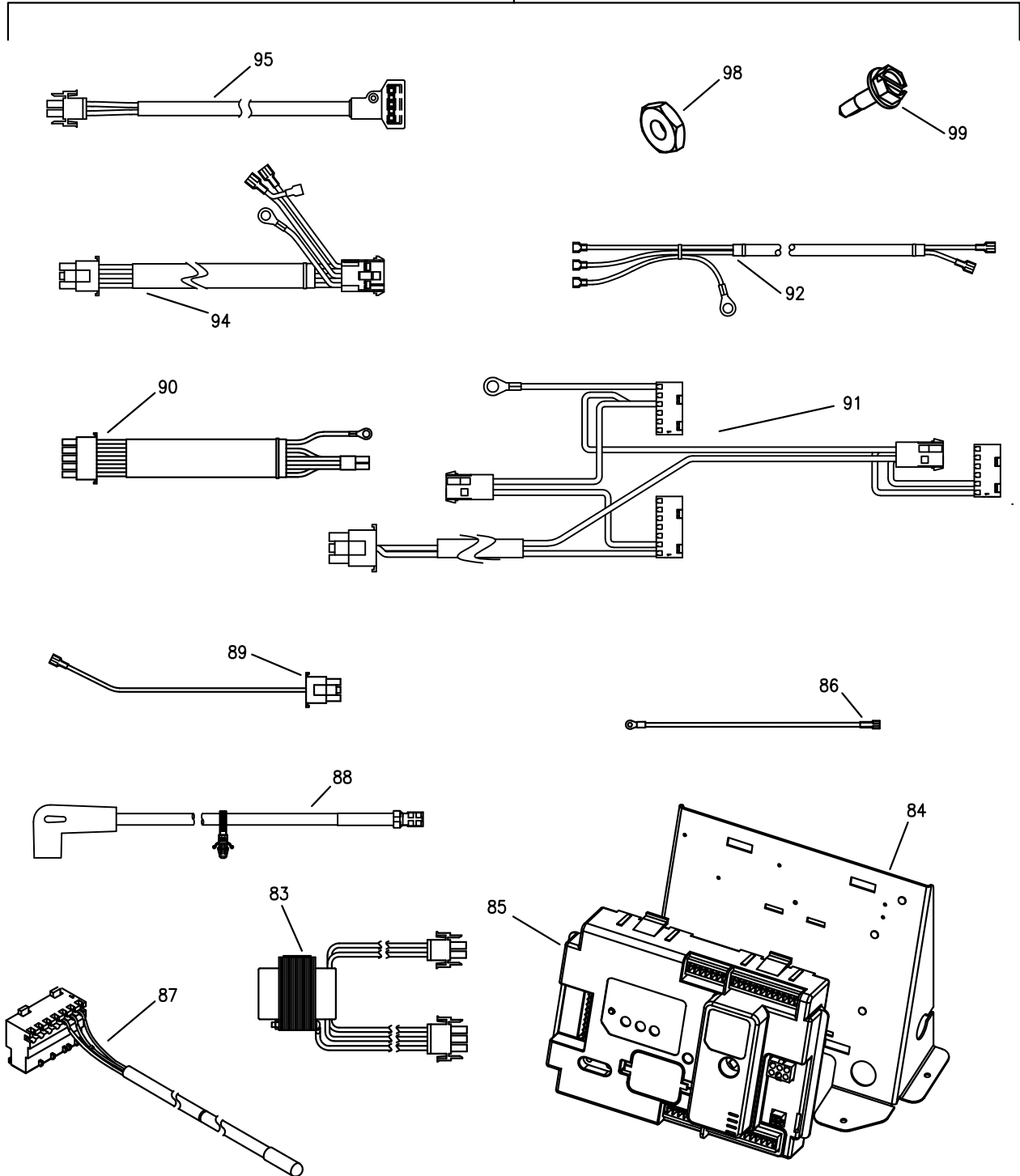
	Model EF100T150(E)*(N,X)(A)2	Model EF100T199(E)*(N,X)(A)2	Model EF100T250(E)*(N,X)(A)2	Model EF100T300(E)*(N,X)(A)2
38 ICON Control Box and Wiring (Powered Anodes)	243-54158-00	243-54158-00	243-54158-00	243-54158-00
83 Transformer 120V to 24V	233-50559-00	233-50559-00	233-50559-00	233-50559-00
84 Control Panel	239-50514-00	239-50514-00	239-50514-00	239-50514-00
85 Module-ICON System	415-54156-01	415-54156-01	415-54156-01	415-54156-01
86 Ground Wire	239-38951-88	239-38951-88	239-38951-88	239-38951-88
87 T-Stat Sensor Harness	239-48587-00	239-48587-00	239-48587-00	239-48587-00
88 High Voltage Spark Cable	265-50887-00	265-50887-00	265-50887-00	265-50887-00
89 Flame Sensor Wire	239-48237-00	239-48237-00	239-48237-00	239-48237-00
90 Blower Modulation Harness	239-48170-00	239-48170-00	239-48170-00	239-48170-00
91 Wire Harness Low Fire Start	239-53460-00	239-53460-00	239-53460-00	239-53460-00
92 Power Cord/Switch Harness	239-54969-00	239-54969-00	239-54969-00	239-54969-00
94 Blower Power Harness	239-48617-00	239-48617-00	239-48617-00	239-48617-00
95 Rectifier Harness	239-43571-00	239-43571-00	239-43571-00	239-43571-00
98 Nut 8-32 Keps	239-80029-00	239-80029-00	239-80029-00	239-80029-00
99 Screw-#8-18 X 1/2	239-32761-00	239-32761-00	239-32761-00	239-32761-00

* Applies to all warranties

SECTION 1: Serial Numbers "XC-" (March 2021) and Later

APPLIES TO PAGES: 2 THROUGH 13
(MAGNESIUM ANODES) (-897 models)

38



SECTION 1: Serial Numbers "XC-" (March 2021) and Later

APPLIES TO PAGES: 2 THROUGH 13

(MAGNESIUM ANODES ONLY) (-897 MODELS)

	Model EF60T125(E)*(N,X)(A)2	Model EF60T150(E)*(N,X)(A)2	Model EF60T199(E)*(N,X)(A)2
83 Transformer 120V to 24V	233-50559-00	233-50559-00	233-50559-00
84 Control Panel	239-50514-00	239-50514-00	239-50514-00
85 Module-ICON System	415-54156-01	415-54156-01	415-54156-01
86 Ground Wire	239-38951-88	239-38951-88	239-38951-88
87 T-Stat Sensor Harness	239-48587-00	239-48587-00	239-48587-00
88 High Voltage Spark Cable	265-50887-00	265-50887-00	265-50887-00
89 Flame Sensor Wire	239-48237-00	239-48237-00	239-48237-00
90 Blower Modulation Harness	239-48170-00	239-48170-00	239-48170-00
91 Wire Harness Low Fire Start	239-53460-00	239-53460-00	239-53460-00
92 Power Cord/Switch Harness	239-54969-00	239-54969-00	239-54969-00
94 Blower Power Harness	239-48617-00	239-48617-00	239-48617-00
95 Rectifier Harness	239-43571-00	239-43571-00	239-43571-00
98 Nut 8-32 Keps	239-80029-00	239-80029-00	239-80029-00
99 Screw-#8-18 X 1/2	239-32761-00	239-32761-00	239-32761-00

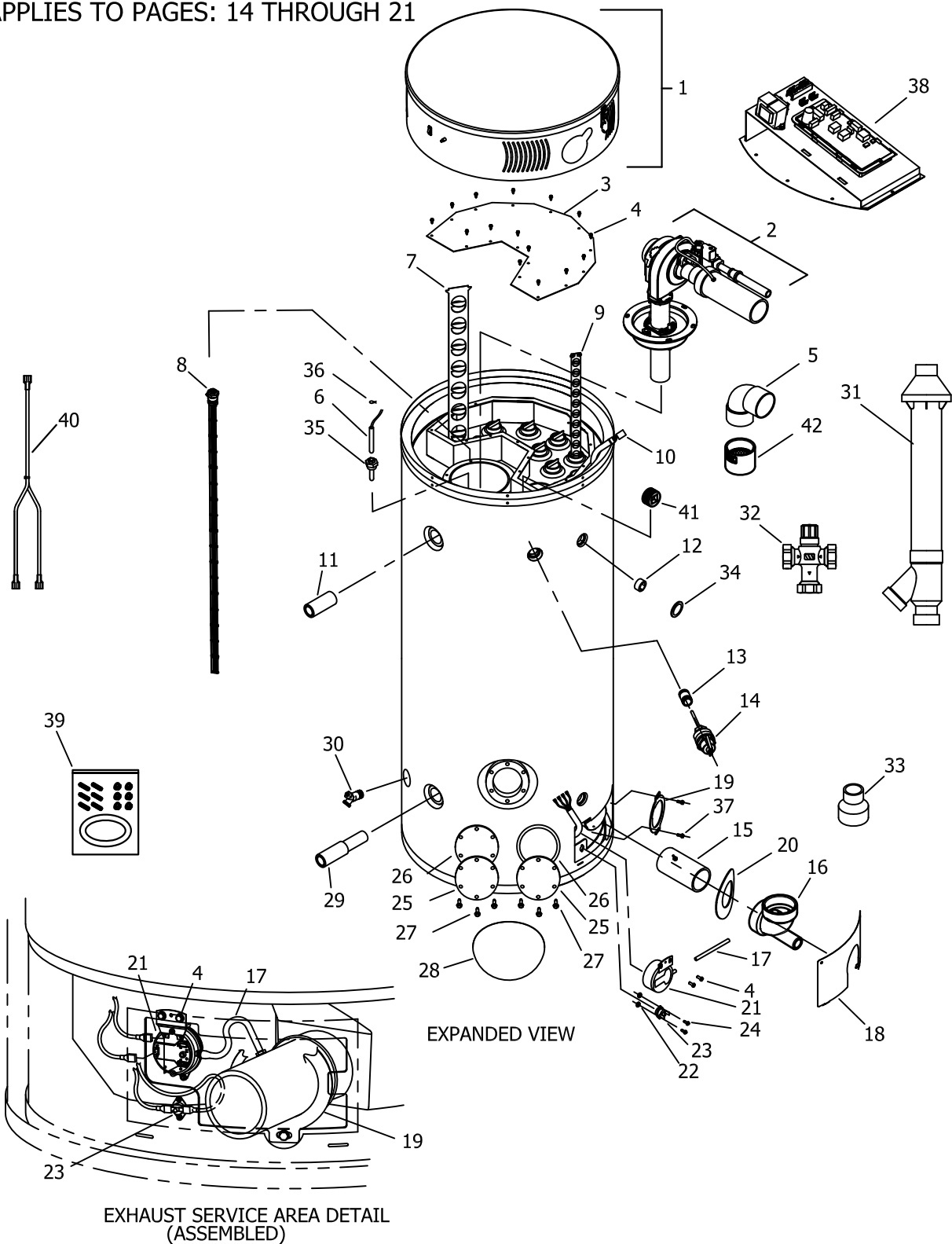
* Applies to all warranties

	Model EF100T150(E)*(N,X)(A)2	Model EF100T199(E)*(N,X)(A)2	Model EF100T250(E)*(N,X)(A)2	Model EF100T300(E)*(N,X)(A)2
83 Transformer 120V to 24V	233-50559-00	233-50559-00	233-50559-00	233-50559-00
84 Control Panel	239-50514-00	239-50514-00	239-50514-00	239-50514-00
85 Module-ICON System	415-54156-01	415-54156-01	415-54156-01	415-54156-01
86 Ground Wire	239-38951-88	239-38951-88	239-38951-88	239-38951-88
87 T-Stat Sensor Harness	239-48587-00	239-48587-00	239-48587-00	239-48587-00
88 High Voltage Spark Cable	265-50887-00	265-50887-00	265-50887-00	265-50887-00
89 Flame Sensor Wire	239-48237-00	239-48237-00	239-48237-00	239-48237-00
90 Blower Modulation Harness	239-48170-00	239-48170-00	239-48170-00	239-48170-00
91 Wire Harness Low Fire Start	239-53460-00	239-53460-00	239-53460-00	239-53460-00
92 Power Cord/Switch Harness	239-54969-00	239-54969-00	239-54969-00	239-54969-00
94 Blower Power Harness	239-48617-00	239-48617-00	239-48617-00	239-48617-00
95 Rectifier Harness	239-43571-00	239-43571-00	239-43571-00	239-43571-00
98 Nut 8-32 Keps	239-80029-00	239-80029-00	239-80029-00	239-80029-00
99 Screw-#8-18 X 1/2	239-32761-00	239-32761-00	239-32761-00	239-32761-00

* Applies to all warranties

SECTION 2: Serial Numbers "XL-" (November 2021) and Later with -895 Designator

APPLIES TO PAGES: 14 THROUGH 21



SECTION 2: Serial Numbers "XL-" (November 2021) and Later with -895 Designator

APPLIES TO PAGES: 14 THROUGH 21

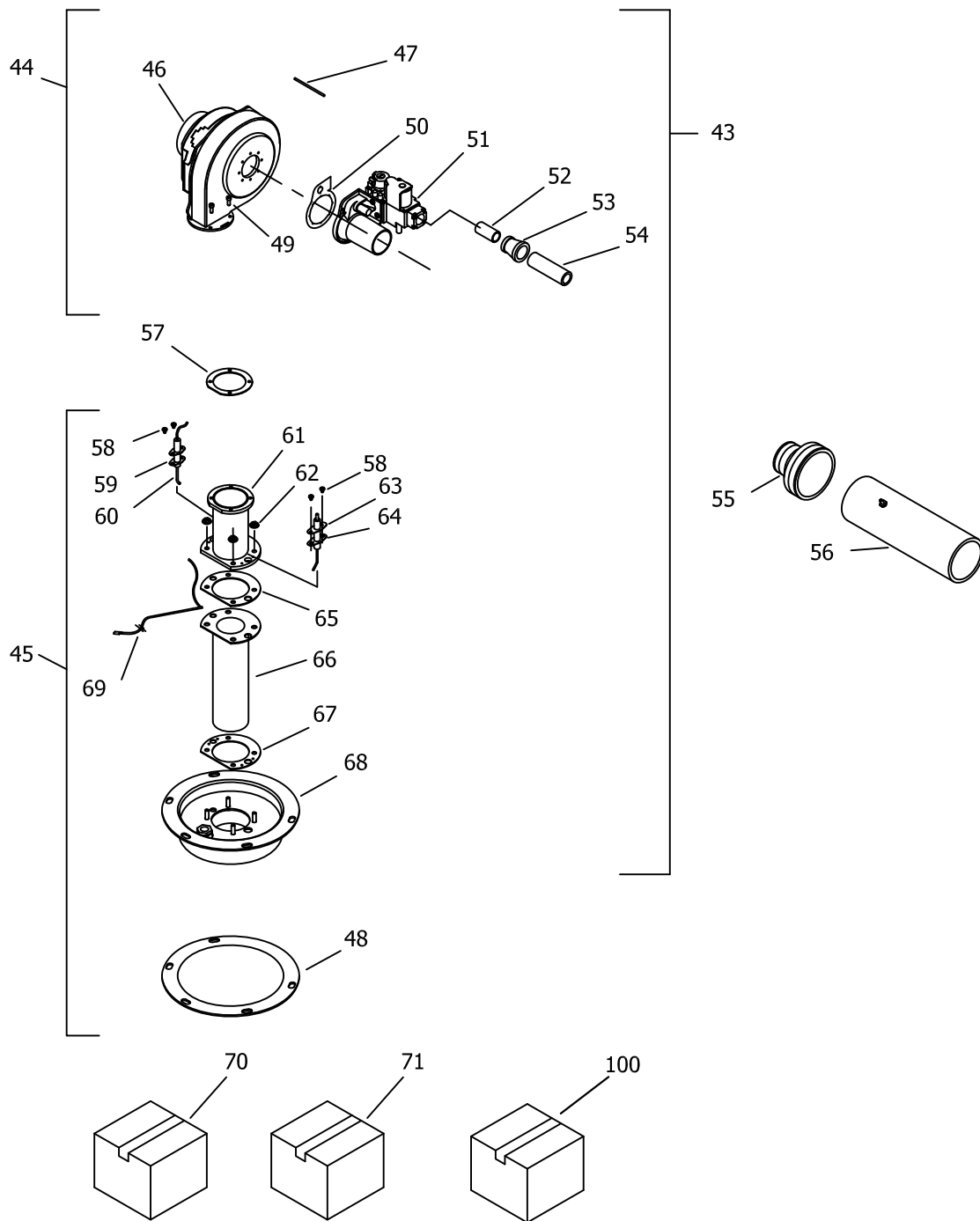
Item Description	Model	Model	Model	Model	Model
	EF60T125(E)*(N,X)(A)2	EF60T150(E)*(N,X)(A)2	EF60T199(E)*(N,X)(A)2	EF100T150(E)*(N,X)(A)2	EF100T199(E)*(N,X)(A)2
1 Combustion Surround Assembly	243-47304-02	243-47304-02	243-47304-02	243-47304-02	243-47304-02
2 Combustion System Assembly (Nat)	265-54043-01	265-54043-02	265-54043-03	265-54043-04	265-54043-05
Combustion System Assembly (LP)	265-54043-08	265-54043-09	265-54043-10	265-54043-11	265-54043-12
3 Collector Cover Second Pass	239-43454-00	239-43454-00	239-43454-00	239-43454-00	239-43454-00
4 Screw #10-16 x 3/4 3/4 HX/WSH ▲	239-44444-00	239-44444-00	239-44444-00	239-44444-00	239-44444-00
5 Elbow-Vent Terminal	415-40579-00	415-40579-00	415-40579-00	415-40579-00	415-40579-00
6 Temperature Sensor	415-46553-02	415-46553-02	415-46553-02	415-46553-02	415-46553-02
7 Baffle 4" Flue (2 Req'd)	243-43304-00	243-43304-00	243-43304-00	---	243-43304-00
8 Anode Rod (Powered) (2 Req'd)	415-46075-00	415-46075-00	415-46075-00	415-46075-00	415-46075-00
9 Baffle 2" Flue (8 Req'd)	239-45659-00	239-45659-00	239-45659-00	239-45658-00	239-45658-00
10 Wire Harness-Service Panel	239-43358-02	239-43358-02	239-43358-02	239-43358-01	239-43358-01
11 Nipple Hot Water Outlet Plastisert (Front Connect)	229-40913-07	229-40913-07	229-40913-07	229-40913-07	229-40913-07
12 Pipe Plug 1" NPT SQ Socket	239-02048-00	239-02048-00	239-02048-00	239-02048-00	239-02048-00
13 Nipple Plastisert T&P 3/4 NPT X 2	229-32762-02	229-32762-02	229-32762-02	229-32762-02	229-32762-02
14 T&P Relief Valve	415-30246-00	415-30246-00	415-30246-00	415-30246-00	415-30246-00
15 Exhaust Vent Pipe	239-45971-00	239-45971-00	239-45971-00	239-45971-00	239-45971-00
16 Condensate Elbow	415-43211-00	415-43211-00	415-43211-00	415-43211-00	415-43211-00
17 Silicone Tubing 3/16" I.D.	239-41718-00	239-41718-00	239-41718-00	239-41718-00	239-41718-00
18 Outer Door Service Panel	243-44668-00	243-44668-00	243-44668-00	243-44668-00	243-44668-00
19 Bracket Exhaust Support	239-44667-00	239-44667-00	239-44667-00	239-44667-00	239-44667-00
20 Escutcheon-Exhaust Pipe (EF Series)	239-43997-00	239-43997-00	239-43997-00	239-43997-00	239-43997-00
21 Exhaust Pressure Switch	415-46037-01	415-46037-01	415-46037-01	415-46037-01	415-46037-01
22 Keps Nut 6-32 (2 Req'd)	239-81844-00	239-81844-00	239-81844-00	239-81844-00	239-81844-00
23 Hi-Limit Switch	415-43238-02	415-43238-02	415-43238-02	415-43238-02	415-43238-02
24 Screw 6-32 x 3/8 (2 Req'd)	239-81843-00	239-81843-00	239-81843-00	239-81843-00	239-81843-00
25 Cleanout Cover	205-18428-00	205-18428-00	205-18428-00	205-18428-00	205-18428-00
Cleanout Cover (ASME)	205-32941-00	205-32941-00	205-32941-00	205-32941-00	205-32941-00
26 Cleanout Gasket	205-18427-00	205-18427-00	205-18427-00	205-18427-00	205-18427-00
Cleanout Gasket (ASME)	205-32942-00	205-32942-00	205-32942-00	205-32942-00	205-32942-00
27 Screw 5/16 - 18 x 1/2 (6 Req'd)	239-82166-00	239-82166-00	239-82166-00	239-82166-00	239-82166-00
Screw 5/16 - 18 x 3/4 (ASME) (6 Req'd)	239-32970-00	239-32970-00	239-32970-00	239-32970-00	239-32970-00
28 Clean Out Access Cover	221-20299-00	221-20299-00	221-20299-00	221-20299-00	221-20299-00
29 Dip Tube w/ Nipple Hydrojet (Front Connect)	415-44375-00	415-44375-00	415-44375-00	415-44375-00	415-44375-00
30 Drain Valve Brass (No Handle)	415-42351-02	415-42351-02	415-42351-02	415-42351-02	415-42351-02
31 Coaxial Vent Pipe with Terminal (Optional)	415-44069-01	415-44069-01	415-44069-01	415-44069-01	415-44069-01
32 Approved Mixing Valve (Optional)	239-51778-00	239-51778-00	239-51778-00	239-51778-00	239-51778-00
33 Reducer 3" x 2"	239-40902-00	239-40902-00	239-40902-00	239-40902-00	239-40902-00
34 Hole Closure	239-31547-02	239-31547-02	239-31547-02	239-31547-02	239-31547-02
35 Sensor Well	233-46558-01	233-46558-01	233-46558-01	233-46558-01	233-46558-01
36 Clip Thermostat	233-45242-00	233-45242-00	233-45242-00	233-45242-00	233-45242-00
37 Screw 1/4-20 x 5/8 Hex Washer (2 Req'd)	239-42637-00	239-42637-00	239-42637-00	239-42637-00	239-42637-00
38 Integrated Control Box and Wiring	243-54443-00	243-54443-00	243-54443-00	243-54443-00	243-54443-00
39 Kit-Cleanout (Not For Use With ASME Tanks)	415-54256-00	415-54256-00	415-54256-00	415-54256-00	415-54256-00
40 Power Anode Harness	239-46070-00	239-46070-00	239-46070-00	239-46070-00	239-46070-00
41 Plug-3/4" NPT X Square Socket	239-11638-00	239-11638-00	239-11638-00	239-11638-00	239-11638-00
42 Coupling-Vent Terminal	239-46740-00	239-46740-00	239-46740-00	239-46740-00	239-46740-00

* Applies to all warranties

▲ (Quantity 17) comes with item 3.

SECTION 2: Serial Numbers "XL-" (November 2021) and Later with -895 Designator

APPLIES TO PAGES: 14 THROUGH 21



SECTION 2: Serial Numbers "XL-" (November 2021) and Later with -895 Designator

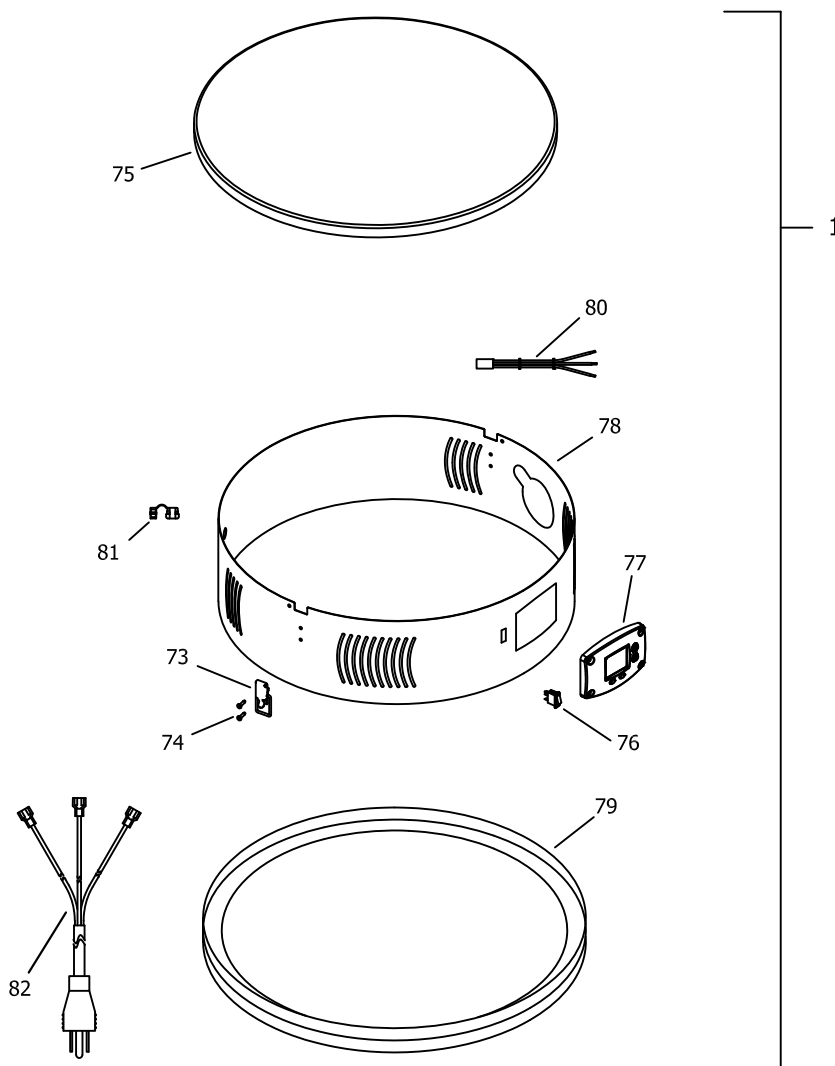
APPLIES TO PAGES: 14 THROUGH 21

Item Description	Model	Model	Model	Model	Model
	EF60T125(E)*(N,X)(A)2	EF60T150(E)*(N,X)(A)2	EF60T199(E)*(N,X)(A)2	EF100T150(E)*(N,X)(A)2	EF100T199(E)*(N,X)(A)2
43 Combustion System Assembly (Nat)	265-54043-01	265-54043-02	265-54043-03	265-54043-04	265-54043-05
Combustion System Assembly (LP)	265-54043-08	265-54043-09	265-54043-10	265-54043-11	265-54043-12
44 Blower and Gas Valve Assembly (Nat)	265-54044-01	265-54044-02	265-54044-03	265-54044-04	265-54044-05
Blower and Gas Valve Assembly (LP)	265-54044-08	265-54044-09	265-54044-10	265-54044-11	265-54044-12
45 Burner Assembly EF	265-46024-00	265-46024-00	265-46024-00	265-46024-00	265-46024-00
46 Blower	415-51225-00	415-51225-00	415-54727-00	415-51225-00	415-54729-00
47 Silicone Tubing 3/16" I.D.	239-41718-00	239-41718-00	239-41718-00	239-41718-00	239-41718-00
48 Burner Mounting Insert Gasket**	239-43197-00	239-43197-00	239-43197-00	239-43197-00	239-43197-00
49 Screw 10-32 x 3/4 SHCS (4 Req'd)	239-43273-00	239-43273-00	239-43273-00	239-43273-00	239-43273-00
50 Gasket Venturi to Blower	239-44654-00	239-44654-00	239-44654-00	239-44654-00	239-44654-00
51 Gas Valve Assembly (Nat)	265-54040-01	265-54040-02	265-54040-03	265-54040-04	265-54040-05
Gas Valve Assembly (LP)	265-54041-01	265-54041-02	265-54041-03	265-54041-04	265-54041-05
52 Nipple 1/2 NPT X 3"	239-37047-00	239-37047-00	239-37047-00	239-37047-00	239-37047-00
53 Reducer 3/4 x 1/2 NPT	239-04474-00	239-04474-00	239-04474-00	239-04474-00	239-04474-00
54 Nipple 3/4 NPT x 7"	239-43373-00	239-43373-00	239-43373-00	239-43373-00	239-43373-00
55 Reducer 3" x 2"	239-40902-00	239-40902-00	239-40902-00	239-40902-00	239-40902-00
56 Inlet Tube (PVC)	239-43364-01	239-43364-01	239-43364-01	239-43364-01	239-43364-01
57 Gasket Blower Transition	239-43241-00	239-43241-00	239-43241-00	239-43241-00	239-43241-00
58 Screw #8-32 x 1/4 RHCR (4 Req'd)	239-43272-00	239-43272-00	239-43272-00	239-43272-00	239-43272-00
59 Flame Sensor Gasket	239-43371-00	239-43371-00	239-43371-00	239-43371-00	239-43371-00
60 Flame Sensor w/ Gasket	415-43232-00	415-43232-00	415-43232-00	415-43232-00	415-43232-00
61 Blower Transition Weldment	239-43201-00	239-43201-00	239-43201-00	239-43201-00	239-43201-00
62 Nut Hex 1/4-20 Washer (4 Req'd)	239-43297-00	239-43297-00	239-43297-00	239-43297-00	239-43297-00
63 Spark Rod (w/ Gasket)	415-46481-00	415-46481-00	415-46481-00	415-46481-00	415-46481-00
64 Spark Rod Gasket	239-43370-00	239-43370-00	239-43370-00	239-43370-00	239-43370-00
65 Burner Mounting Gasket	239-43246-00	239-43246-00	239-43246-00	239-43246-00	239-43246-00
66 Burner Tube Kit (w/ Gasket)	415-53033-00	415-53033-00	415-53033-00	415-53033-00	415-53033-00
67 Burner Mounting Gasket	239-43246-00	239-43246-00	239-43246-00	239-43246-00	239-43246-00
68 Burner Mounting Insert	239-43167-00	239-43167-00	239-43167-00	239-43167-00	239-43167-00
69 Ground Wire Assembly 24" Green	239-51994-00	239-51994-00	239-51994-00	239-51994-00	239-51994-00
70 Gas Regulator Kit (optional)	243-45517-00	243-45517-00	243-45517-00	243-45517-00	243-45517-00
71 LP to Natural Gas Conversion Kit	265-54048-03	265-54048-02	265-54048-01	265-54048-07	265-54048-06
100 Common Venting Kit 3"-6"- PVC	415-54696-00	415-54696-00	415-54696-00	415-54696-00	415-54696-00
Common Venting Kit 3"-6"- Polypro	415-54697-00	415-54697-00	415-54697-00	415-54697-00	415-54697-00

* Applies to all warranties

SECTION 2: Serial Numbers "XL-" (November 2021) and Later with -895 Designator

APPLIES TO PAGES: 14 THROUGH 21



SECTION 2: Serial Numbers "XL-" (November 2021) and Later with -895 Designator

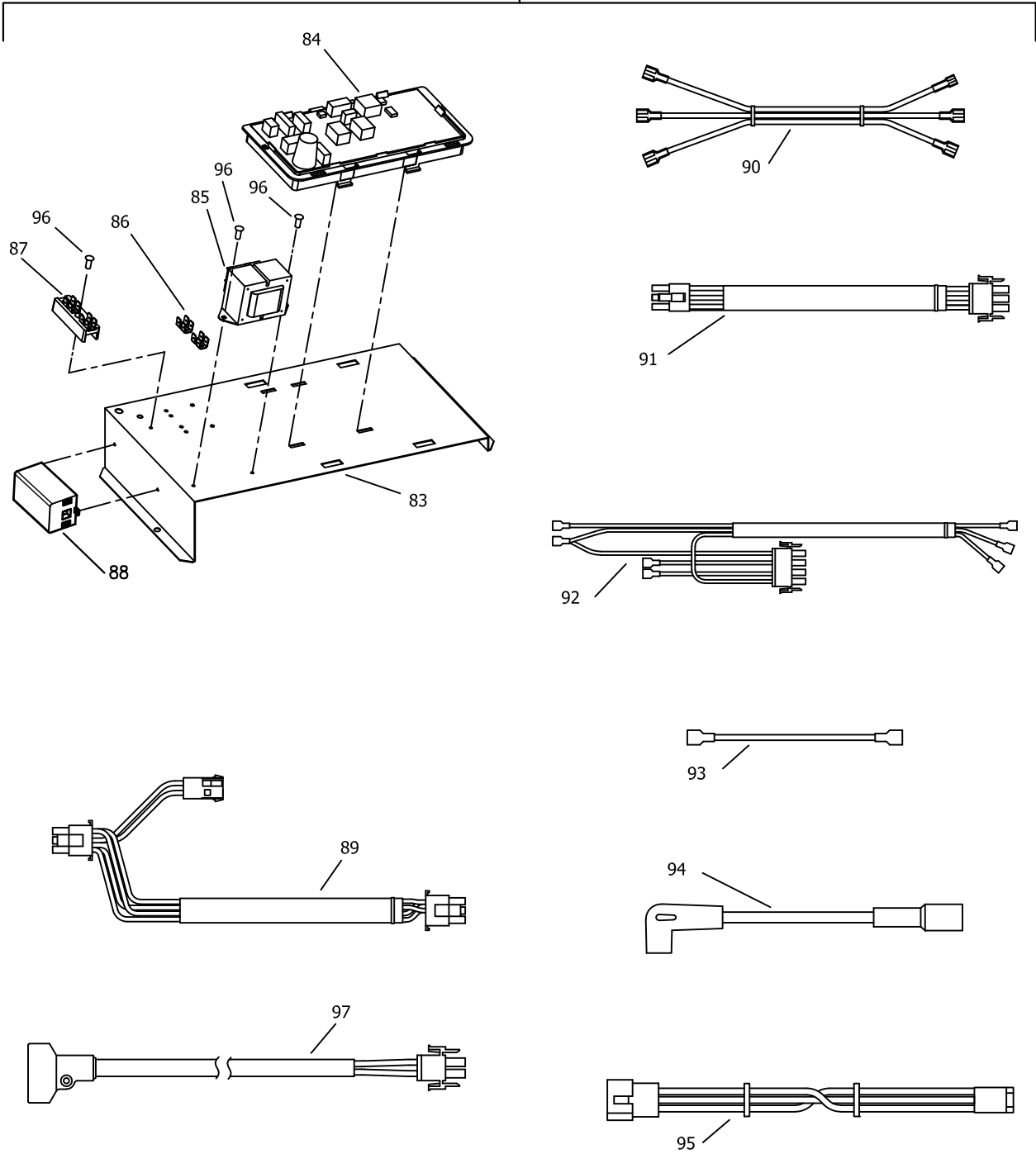
APPLIES TO PAGES: 14 THROUGH 21

Item Description	Model EF60T125(E)*(N,X)(A)2	Model EF60T150(E)*(N,X)(A)2	Model EF60T199(E)*(N,X)(A)2	Model EF100T150(E)*(N,X)(A)2	Model EF100T199(E)*(N,X)(A)2
73 Keeper Latch & Catch	239-43239-00	239-43239-00	239-43239-00	239-43239-00	239-43239-00
74 Screw 8-32 x 1/2 RHCR (2 Req'd)	239-41715-00	239-41715-00	239-41715-00	239-41715-00	239-41715-00
75 Surround Head-EF Comm.	243-45823-02	243-45823-02	243-45823-02	243-45823-02	243-45823-02
76 Main Power Switch	239-43234-00	239-43234-00	239-43234-00	239-43234-00	239-43234-00
77 Display Integrated. Control System w/ harness**	415-46557-00	415-46557-00	415-46557-00	415-46557-00	415-46557-00
78 Ring Combustion Surround	239-47305-02	239-47305-02	239-47305-02	239-47305-02	239-47305-02
79 Combustion Surround Base	239-51296-02	239-51296-02	239-51296-02	239-51296-02	239-51296-02
80 Display to Integrated Control Harness	239-46617-00	239-46617-00	239-46617-00	239-46617-00	239-46617-00
81 Strain Relief Bushing (Power Cord)	239-80372-00	239-80372-00	239-80372-00	239-80372-00	239-80372-00
82 Power Cord	239-44466-00	239-44466-00	239-44466-00	239-44466-00	239-44466-00

**Comes with item 80.

SECTION 2: Serial Numbers "XL-" (November 2021) and Later with -895 Designator

APPLIES TO PAGES: 14 THROUGH 21



SECTION 2: Serial Numbers "XL-" (November 2021) and Later with -895 Designator

APPLIES TO PAGES: 14 THROUGH 21

Item Description	Model	Model	Model	Model	Model
	EF60T125(E)*(N,X)(A)2	EF60T150(E)*(N,X)(A)2	EF60T199(E)*(N,X)(A)2	EF100T150(E)*(N,X)(A)2	EF100T199(E)*(N,X)(A)2
38 Integrated Control Box and Wiring	243-54443-00	243-54443-00	243-54443-00	243-54443-00	243-54443-00
83 Control Panel	239-48060-00	239-48060-00	239-48060-00	239-48060-00	239-48060-00
84 Integrated Control Board	415-46954-00	415-46954-00	415-46954-00	415-46954-00	415-46954-00
85 Transformer	233-50559-00	233-50559-00	233-50559-00	233-50559-00	233-50559-00
86 Ground Lug (Terminal)	239-80112-00	239-80112-00	239-80112-00	239-80112-00	239-80112-00
87 Terminal Strip	239-80373-00	239-80373-00	239-80373-00	239-80373-00	239-80373-00
88 Powered Anode Module (115V)	239-46229-00	239-46229-00	239-46229-00	239-46229-00	239-46229-00
89 Control Harness	239-46863-00	239-46863-00	239-46863-00	239-46863-00	239-46863-00
90 Powered Anode Harness	239-54422-00	239-54422-00	239-54422-00	239-54422-00	239-54422-00
91 Blower Harness	239-46865-00	239-46865-00	239-46865-00	239-46865-00	239-46865-00
92 Power Switch Harness	239-46864-00	239-46864-00	239-46864-00	239-46864-00	239-46864-00
93 Sensor Wire 19" Black	239-38951-84	239-38951-84	239-38951-84	239-38951-84	239-38951-84
94 High Voltage Spark Cable	239-46861-00	239-46861-00	239-46861-00	239-46861-00	239-46861-00
95 Integrated Control Board Display Harness	239-46944-00	239-46944-00	239-46944-00	239-46944-00	239-46944-00
96 Screw-#8-18 x 1/2 PHCR (3 Req'd)	239-43736-00	239-43736-00	239-43736-00	239-43736-00	239-43736-00
97 Rectifier Harness EF	239-43571-00	239-43571-00	239-43571-00	239-43571-00	239-43571-00

* Applies to all warranties



United States

Sales 1-800-523-2931
Technical Support 1-800-334-3393
Email techsupport@bradfordwhite.com
Warranty 1-800-531-2111
Email warranty@bradfordwhite.com
Service Parts 1-800-538-2020
Email parts@bradfordwhite.com

Canada

Sales 1-866-690-0961 1-905-203-0600
Fax 905-636-0666
Warranty 1-800-531-2111
Email warranty@bradfordwhite.com
Technical Support 1-800-334-3393
Email techsupport@bradfordwhite.com
Service Parts and Orders ca.orders@bradfordwhite.com

For U.S. and Canada field service, contact your professional installer or local Bradford White sales representative.

International

General Contact international@bradfordwhite.com