



COMMERCIAL GAS REPLACEMENT PARTS LIST

High Efficiency Commercial Gas Models



Models Covered:
EF120T4003(N,X)(A)3
EF120T5003(N,X)(A)3
(Serial Number XA0000001 and After)

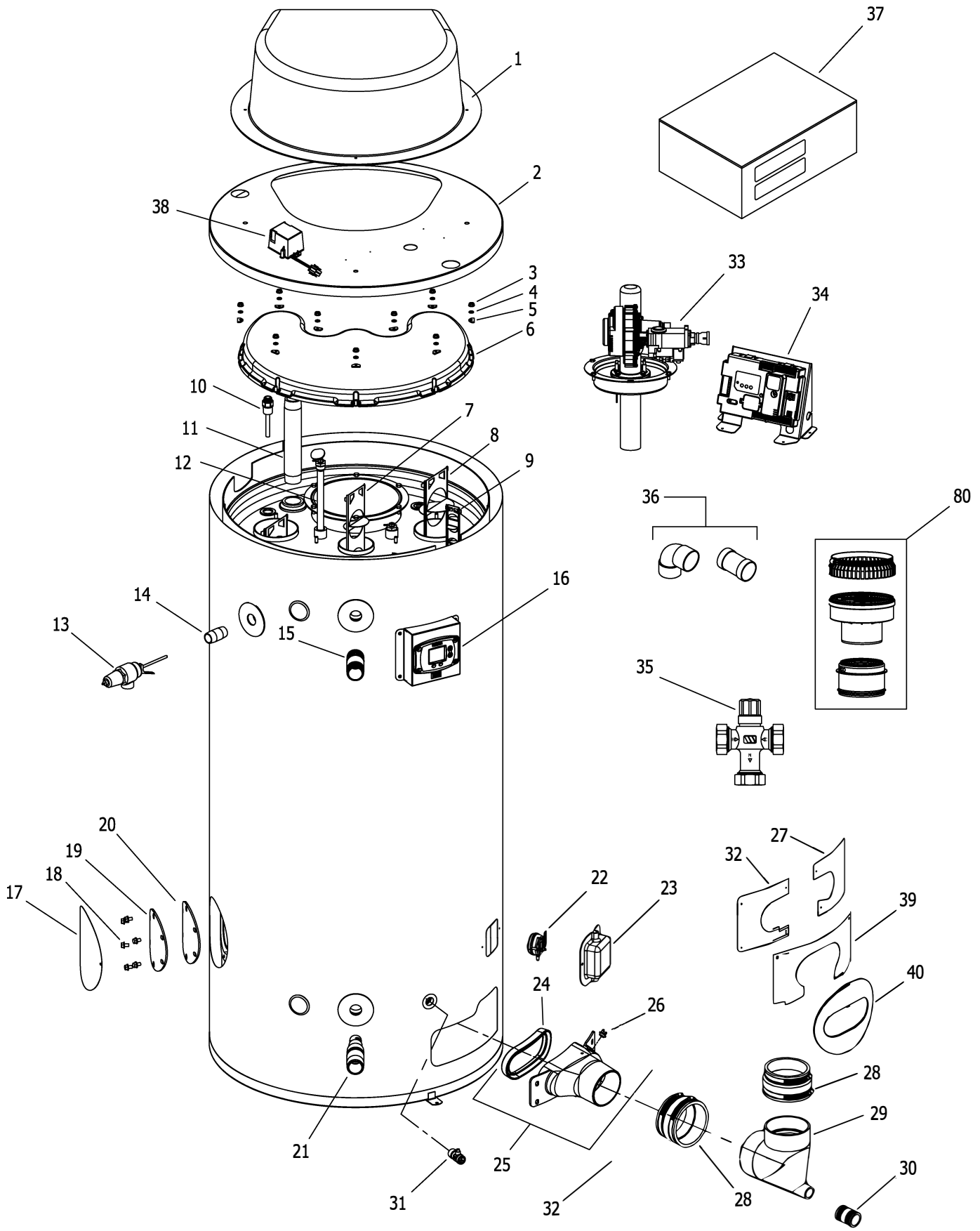
Effective: April, 2023
ECO 8577

**NOTE: BOTH MODEL AND SERIAL
NUMBERS ARE REQUIRED FOR
ORDERING REPLACEMENT PARTS**

Dimensions and specifications
subject to change without notice.



As required by the state of California Proposition 65.

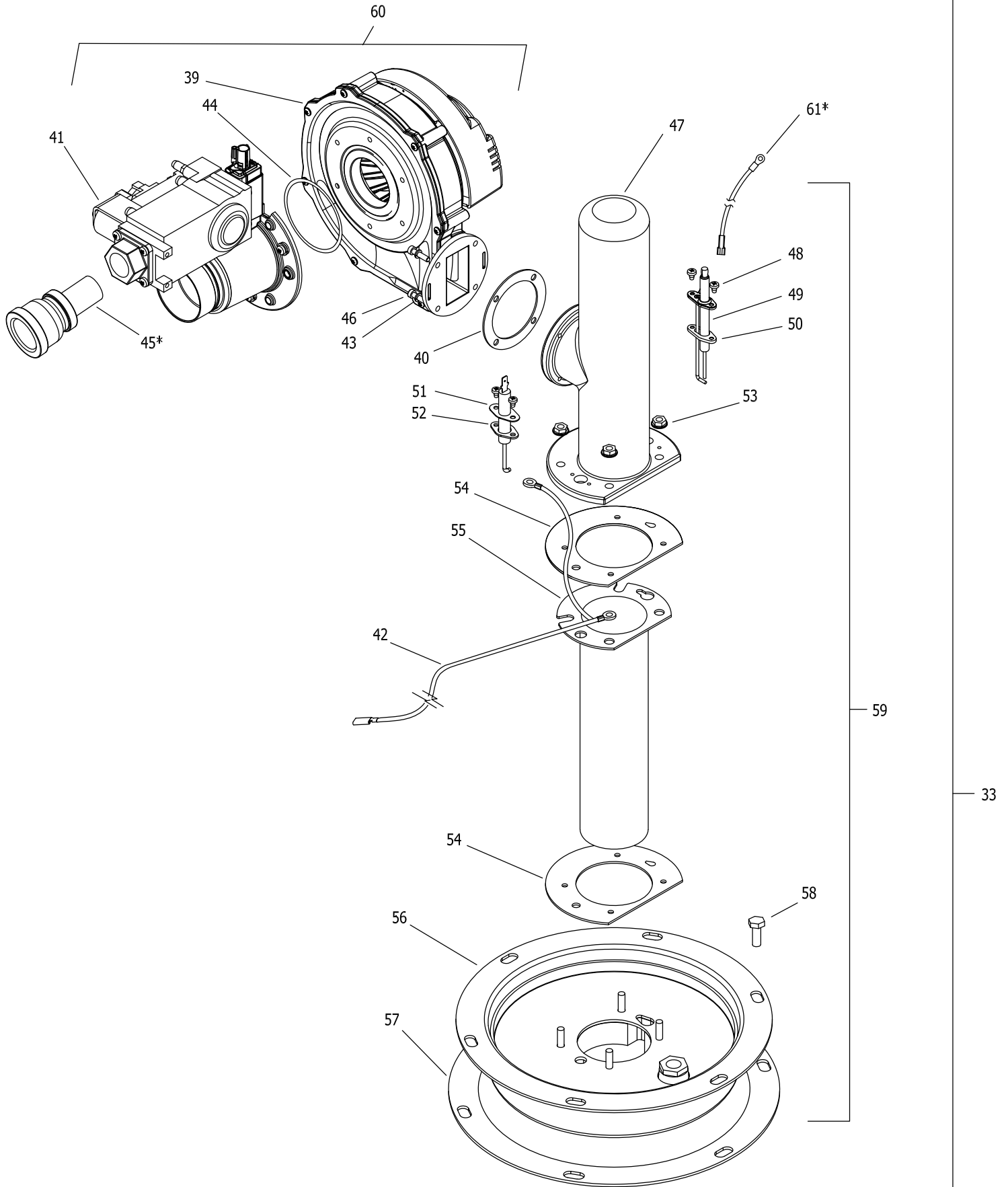


Item	Description	Model
		EF120T4003(N,X)
1	Surround with Latches	239-53581-00
2	Jacket Head	239-53427-00
3	Hex Nut Flange 1/4-20 (9 req'd)	239-53848-00
4	Cone Washer (9 req'd)	239-53773-00
5	T-Washer (9 req'd)	239-53854-00
6	Exhaust Collector	239-53037-00
7	Baffle 4" Flue (1 req'd)	239-53876-00
8	Baffle 5" Flue (2 req'd)	239-53308-00
9	Baffle 2" Flue (19 req'd)	239-45658-00
10	Sensor Well	233-46558-01
11	Top Outlet Nipple	229-40913-01
12	Power Anode (2 req'd)	224-53839-00
13	T&P Valve	415-33630-04
14	T&P Nipple	415-50053-02
15	Front Outlet Nipple	229-40913-02
16	Control Display Assembly	SEE PAGE 6
17	Cleanout Cover Access	243-20299-00
18	Screw 5/16 - 18 x 3/4 (6 req'd)	239-32970-00
19	Cleanout Cover	205-32941-00
20	Cleanout Gasket	205-32942-00
21	Inlet Diptube	229-53188-00
22	Exhaust Pressure Switch	415-46037-01
23	Pressure Switch Cover	239-80281-03
24	Transition Gasket Kit*	415-54236-00
25	Exhaust Transition Kit	415-54376-00
26	Exhaust Limit Switch*	415-43238-03
27	Service Door Right***	239-53487-00
28	Exhaust Coupler	415-53384-00
29	Condensate Elbow	415-53041-00
30	Condensate Coupler	415-53385-00
31	Drain Valve	415-48070-02
32	Service Door Left***	239-53486-00
33	Burner Assembly (Specify Model)	SEE PAGE 4
34	Control Panel Assembly (Specify Model)	SEE PAGE 6
35	Thermostatic Mixing (Optional)	239-51778-00
36	Intake/Exhaust Vent Terminals	239-53455-00
37	BMS Gateway Kit	415-53943-00
38	Spark Generator	415-54000-00
39	Service Door Exhaust Transition**	239-54587-00
40	Escutcheon (Exhaust Transition)**	239-54588-00
80	Common Venting Kit - PVC	415-54698-00
	Common Venting Kit - Polypro	415-54706-00

* Included with item 25, Exhaust transition kit.

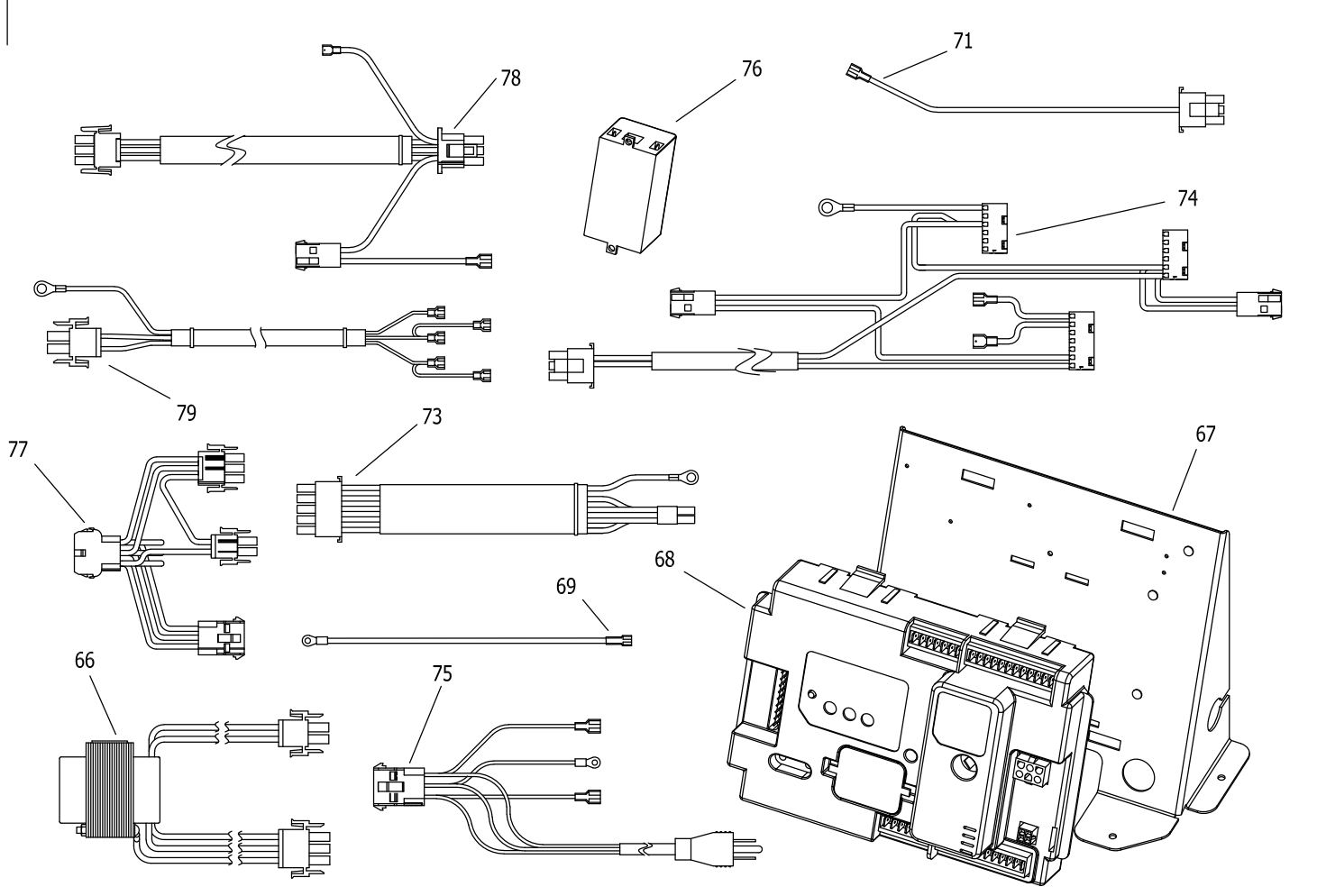
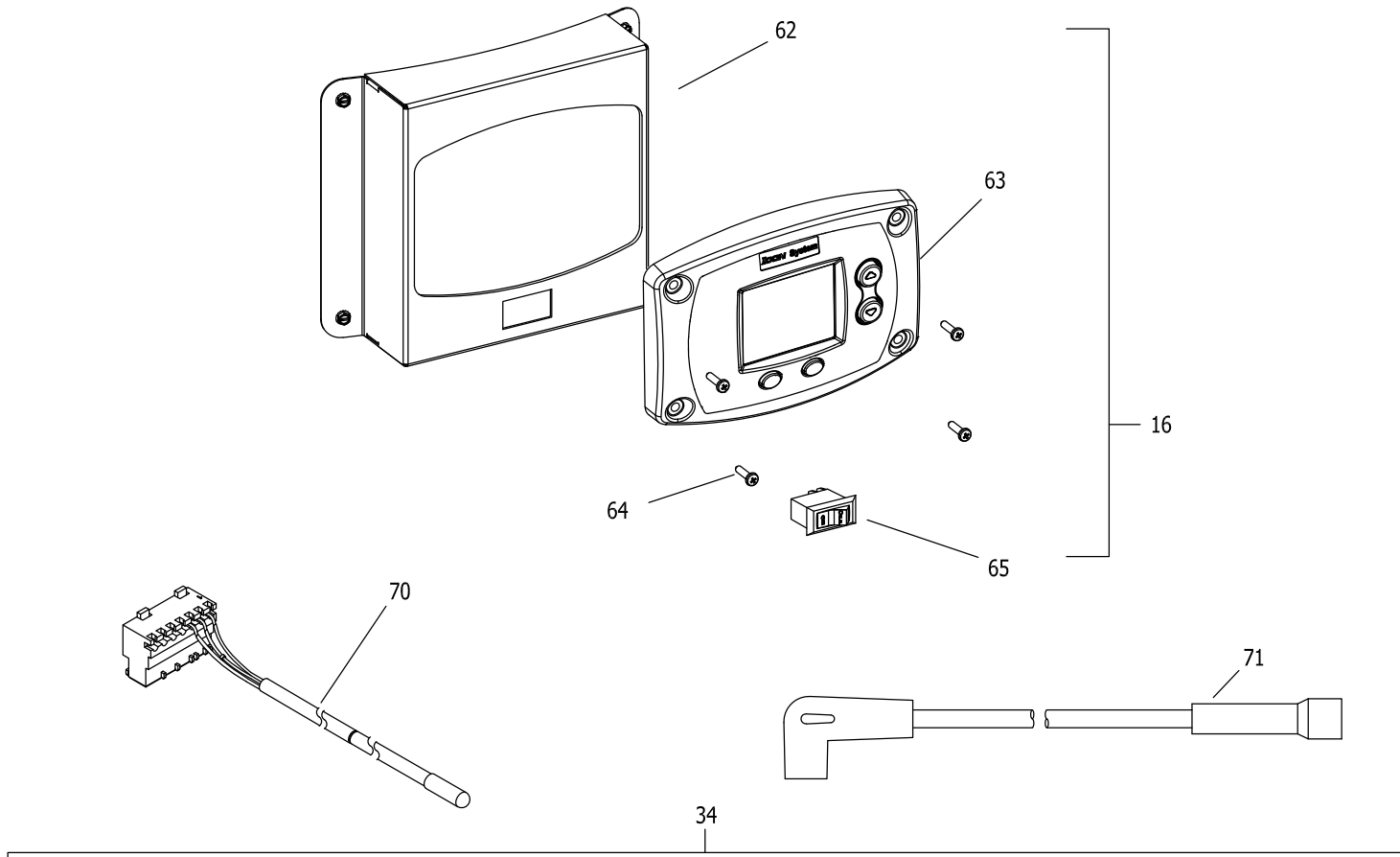
Applies to serial number YD*** and after.

Applies to serial number before YD**.



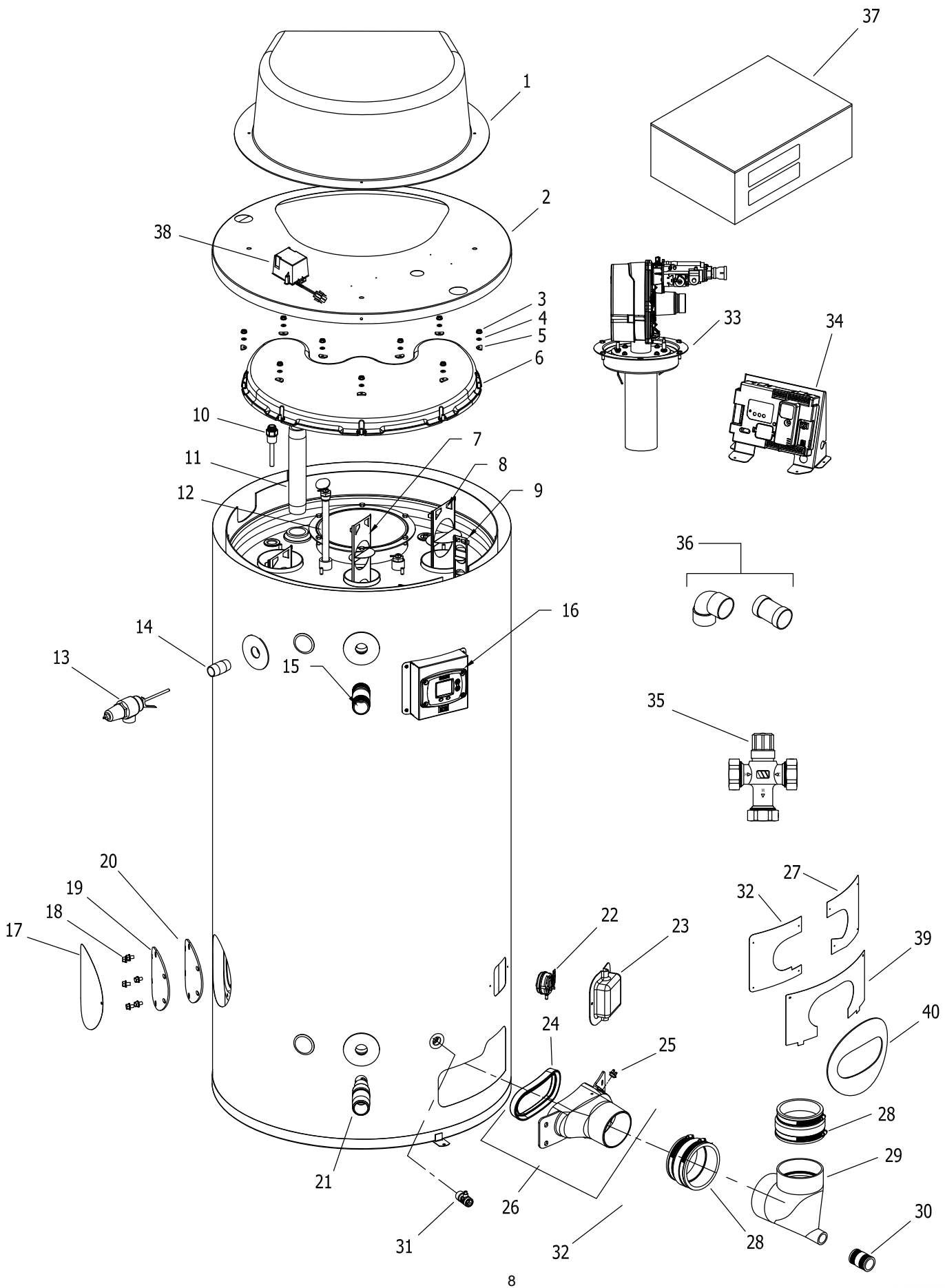
Item	Description	Model
		EF120T4003(N,X)
33	Assy-Complete Combustion System (NAT)*	265-54073-01
	Assy-Complete Combustion System (LP)*	265-54073-02
39	Blower w/Gasket	415-54728-00
40	Blower Transition Gasket	239-43241-00
41	Venturi & Gas Valve Assembly (NAT)	265-53478-01
	Venturi & Gas Valve Assembly (LP)	265-53478-02
42	Ground Wire	239-51994-00
43	Washer - #10 Lockwasher (4 req'd)	239-18461-00
44	Venturi Gasket ◇	239-51397-00
45	Gas Piping assembly*	243-53497-00
46	Screw 10-32 x .75 Skt Head Cap (4 req'd)	239-43273-00
47	Transition Tube Blower to Burner	239-54053-00
48	Screw - #8-32 x 1/4 (4 req'd)	239-43272-00
49	Spark Rod w/Gasket	415-54006-00
50	Gasket Spark Rod	239-53982-00
51	Flame Sensor w/Gasket	415-43232-00
52	Gasket Flame Sensor	239-43371-00
53	Nut Hex Washer 1/4-20 Serrated(4 req'd for Trans Tube)	239-43297-00
54	Gasket Burner (2 req'd)●	239-54054-00
55	Burner w/Gasket	415-53033-00
56	Burner Mounting Assembly	239-53027-00
57	Combustion Assembly Gasket	239-53445-00
58	Screw 5/16-18 x 3/4 (5 req'd)	239-32970-00
59	Burner Assembly *	265-54057-00
60	Blower and Gas Valve Assembly (NAT)*	265-53480-01
	Blower and Gas Valve Assembly (LP)*	265-53480-02
61	Spark Rod Ground Wire*	239-38951-92

- * Ordering a complete assembly may increase delivery time.
Please order the specific component required for the quickest delivery.
- ◇ Included with Item 39 & 41
 - Included with Items 55 & 59
 - * To be purchased separately



Item	Description	Model
		EF120T4003(N,X)
16	Display Assembly*	243-51213-00
62	Display Mount	239-50508-00
63	Control Display-SOLA control w/Harness	415-54047-00
64	Screw-#8-18 X .75 for Control Display (4 req'd)	239-41104-00
65	Main Power Switch	239-50586-00
34	Control Assembly*	243-54058-01
66	Transformer 120V to 24V	233-50559-00
67	Control Panel	239-50514-00
68	Control Board Module (SOLA)	415-54072-01
69	Ground Wire	239-38951-91
70	T-Stat Sensor Harness	239-53458-00
71	High Voltage Spark Cable	239-53456-00
72	Flame Sensor Wire	239-48237-00
73	Blower Modulation Harness	239-48170-00
74	Ignition Control Harness	239-53930-00
75	Power Cord Harness	239-53464-00
76	Power Anode Module	239-46229-00
77	Power Switch Harness	239-53459-00
78	Blower Power Harness	239-53931-00
79	Gas Valve Harness	239-53461-00

* Ordering a complete assembly may increase delivery time.
Please order the specific component required for the quickest delivery.

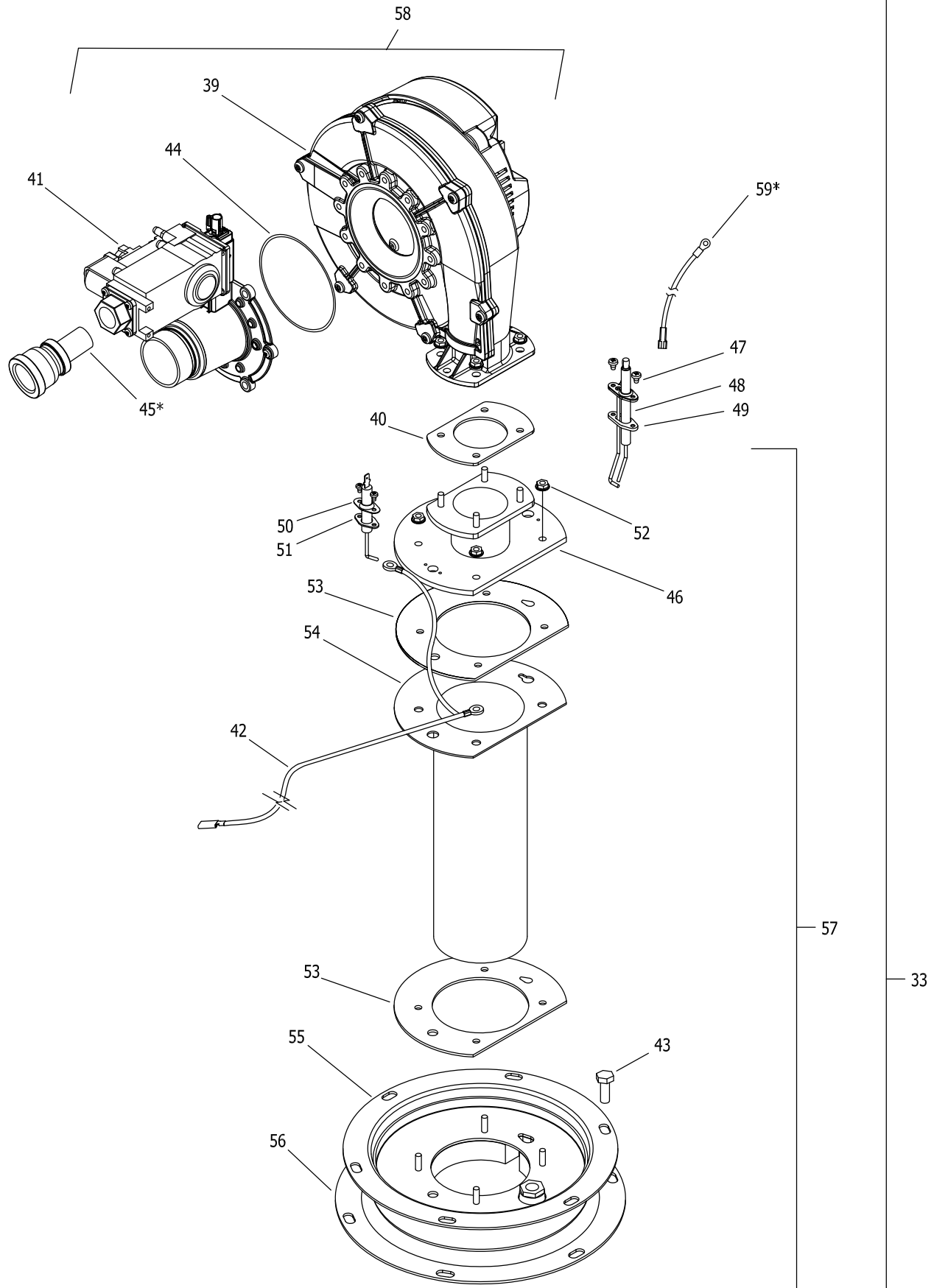


Item	Description	Model
		EF120T5003(N,X)
1	Surround with Latches	239-53581-00
2	Jacket Head	239-53427-00
3	Hex Nut Flange 1/4-20 (9 req'd)	239-53848-00
4	Cone Washer (9 req'd)	239-53773-00
5	T-Washer (9 req'd)	239-53854-00
6	Exhaust Collector	239-53037-00
7	Baffle 4" Flue (1 req'd)	239-53876-00
8	Baffle 5" Flue (2 req'd)	239-53308-00
9	Baffle 2" Flue (19 req'd)	239-45658-00
10	Sensor Well	233-46558-01
11	Top Outlet Nipple	229-40913-01
12	Power Anode (2 req'd)	224-53839-00
13	T&P Valve	415-33630-04
14	T&P Nipple	415-50053-02
15	Front Outlet Nipple	229-40913-02
16	Control Display Assembly	SEE PAGE 12
17	Cleanout Cover Access	243-20299-00
18	Screw 5/16 - 18 x 1/2 (6 req'd)	239-32970-00
19	Cleanout Cover (ASME)	205-32941-00
20	Cleanout Gasket (ASME)	205-32942-00
21	Inlet Diptube	229-53188-00
22	Exhaust Pressure Switch	415-46037-01
23	Pressure Switch Cover	239-80281-03
24	Transition Gasket kit*	415-54236-00
25	Exhaust Limit Switch*	415-43238-03
26	Exhaust transition kit	415-54376-00
27	Service Door Right***	239-53487-00
28	Exhaust Coupler	415-53384-00
29	Condensate Elbow	415-53041-00
30	Condensate Coupler	415-53385-00
31	Drain Valve	415-48070-02
32	Service Door Left***	239-53486-00
33	Burner Assembly (Specify Model)	SEE PAGE 10
34	Control Panel Assembly (Specify Model)	SEE PAGE 12
35	Thermostatic Mixing (Optional)	239-51778-00
36	Exhaust/Intake Vent Terminals	239-53455-00
37	BMS Gateway Kit	415-53943-00
38	Spark Generator	415-54000-00
39	Service Door Exhaust Transition**	239-54587-00
40	Escutcheon (Exhaust Transition)**	239-54588-00

* Included with item 25, Exhaust transition kit.

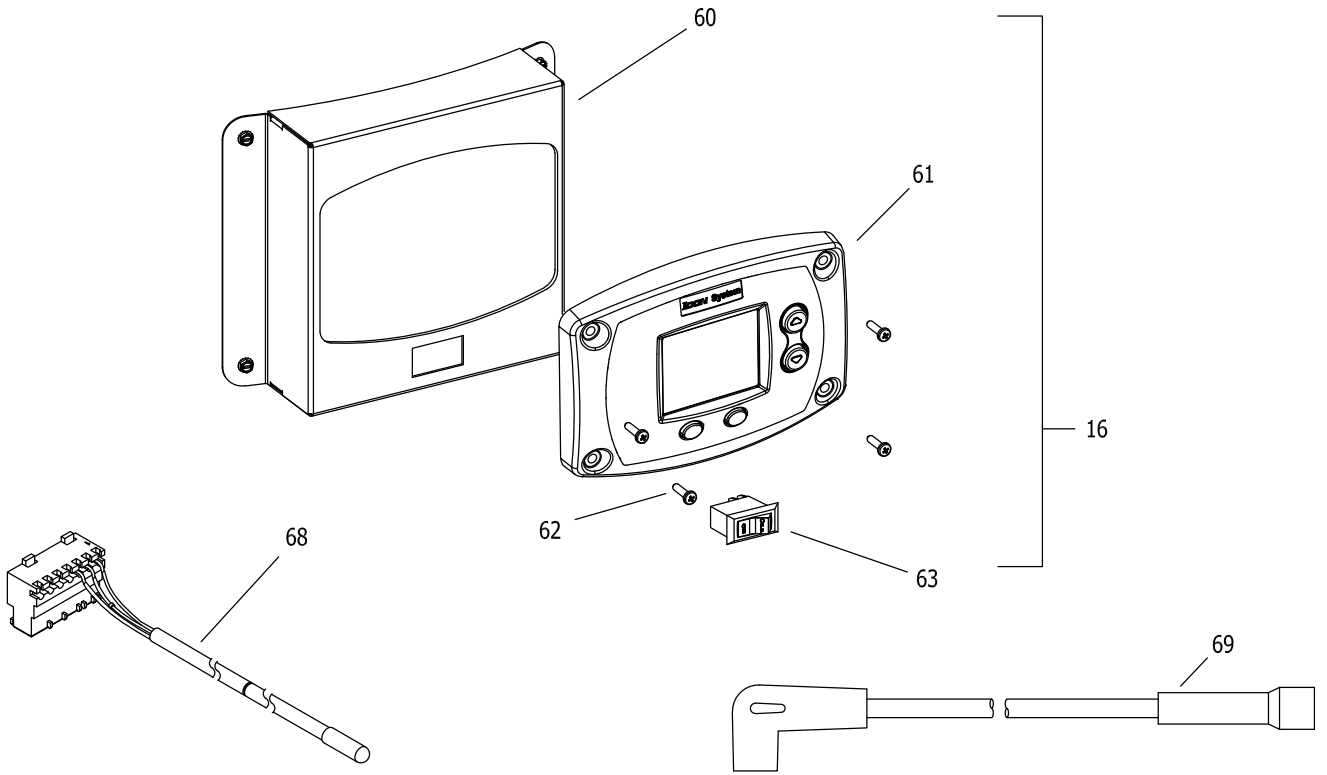
Applies to serial number YD*** and after.

Applies to serial number before YD**.

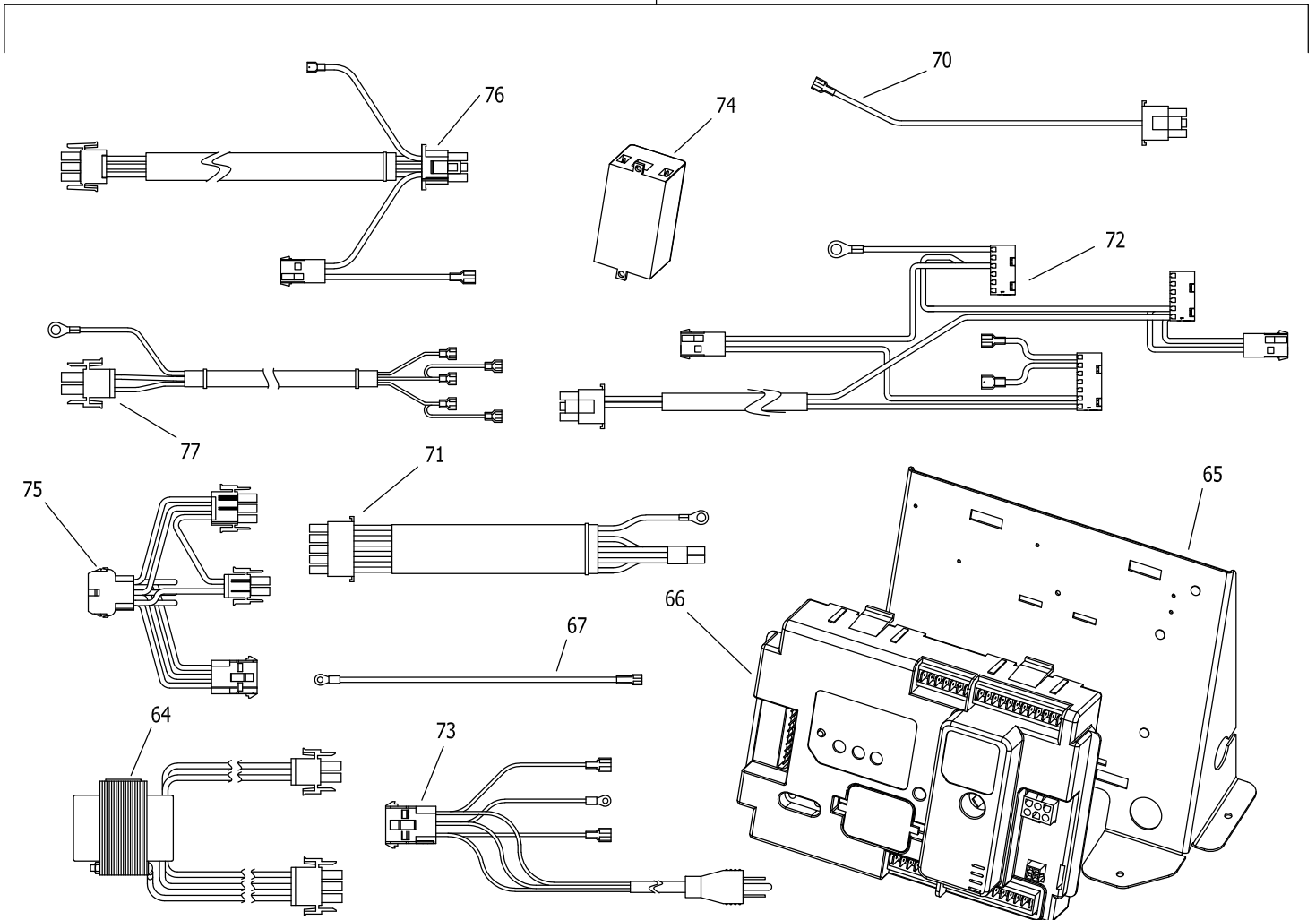


Item	Description	Model
		EF120T5003(N,X)
16	Display Assembly*	243-51213-00
34	Control Panel Assembly*	243-54058-02
60	Display Mount	239-50508-00
61	Control Display-SOLA control w/Harness	415-54047-00
62	Screw-#8-18 X .75 for Control Display (4 req'd)	239-41104-00
63	Main Power Switch	239-50586-00
64	Transformer 120V to 24V	233-50559-00
65	Control Panel	239-50514-00
66	Control Board Module (SOLA)	415-54072-02
67	Ground Wire	239-38951-91
68	T-Stat Sensor Harness	239-53458-00
69	High Voltage Spark Cable	239-53456-00
70	Flame Sensor Wire	239-48237-00
71	Blower Modulation Harness	239-48170-00
72	Ignition Control Harness	239-53930-00
73	Power Cord Harness	239-53464-00
74	Power Anode Module	239-46229-00
75	Power Switch Harness	239-53459-00
76	Blower Power Harness	239-53931-00
77	Gas Valve Harness	239-53461-00

* Ordering a complete assembly may increase delivery time.
Please order the specific component required for the quickest delivery.



34



Item	Description	Model
		EF120T5003(N,X)
33	Assy-Complete Combustion System (Nat)*	265-54074-01
	Assy-Complete Combustion System (LP)*	265-54074-02
39	Blower w/Gasket	415-53065-00
40	Blower Transition Gasket	239-53444-00
41	Venturi & Gas Valve Assembly (Nat)	265-53479-01
	Venturi & Gas Valve Assembly (LP)	265-53479-02
42	Ground Wire	239-53462-00
43	Screw 5/16-18 x 3/4 (5 req'd)	239-32970-00
44	Venturi Gasket ◇	239-53064-00
45	Gas Piping assembly*	243-53497-00
46	Transition Tube Blower to Burner	239-54064-00
47	Screw - #8-32 x 1/4 (4 req'd)	239-43272-00
48	Spark Rod w/Gasket	415-54007-00
49	Gasket Spark Rod	239-53982-00
50	Flame Sensor w/Gasket	415-53438-00
51	Gasket Flame Sensor	239-43371-00
52	Nut Hex Washer 1/4-20 serrated (4 req'd for Trans Tube)	239-43297-00
53	Gasket Burner (2 req'd)●	239-54055-00
54	Burner w/Gasket	265-53399-00
55	Burner Mounting Assembly	239-53028-00
56	Combustion Assembly Gasket	239-53445-00
57	Burner Assembly *	265-54059-00
58	Blower and Gas Valve Assembly (Nat)*	265-53481-01
	Blower and Gas Valve Assembly (LP)*	265-53481-02
59	Spark Rod Ground Wire*	239-38951-92

* Ordering a complete assembly may increase delivery time.

Please order the specific component required for the quickest delivery.

◇ Included with Item 39 & 41

● Included with Items 54 & 33

* To be purchased separately



United States

Sales 800-523-2931

Technical Support 800-334-3393

Email techserv@bradfordwhite.com

Warranty 800-531-2111

Email warranty@bradfordwhite.com

Service Parts 800-538-2020

Email parts@bradfordwhite.com

Canada

Sales & Technical Support 866-690-0961 905-203-0600

Fax 905-636-0666

Warranty bwccwarranty@bradfordwhite.com

Technical Support bwccotech@bradfordwhite.com

Service Parts orders@bradfordwhitecanada.com

Orders ca.orders@bradfordwhite.com

For U.S. and Canada field service,
contact your professional installer or
local Bradford White sales representative.

International

General Contact international@bradfordwhite.com