



**MODEL 55TL
TRUE LEFT POWER MEAT SAW
OPERATING AND SERVICE MANUAL**



**Starting with
Serial No. 55044**

☆ IMPORTANT NOTICE ☆

**This Manual contains important
safety instructions which must
be strictly followed when using
this equipment.**

TABLE OF CONTENTS

	Page
NOTICE TO OWNER AND OPERATORS	1
SAFETY TIPS	2
INSTALLATION	3 & 4
WARNING LABELS	5
OPERATION	6
TO PROCESS PRODUCT	6 & 7
CLEANING	8
MAINTENANCE	9
GENERAL	9
LUBRICATION	10
CHANGING THE SAW BLADE	10
WARNING LABEL LOCATIONS ON MACHINE	11
PARTS DIAGRAMS	12
BLADE TENSION SCREW INSTALLATION INSTRUCTIONS	16
WIRING DIAGRAM	21
OPTIONAL FIXED FRONT TABLE PARTS LIST & DIAGRAMS	23
PARTS LIST/ORDERING	24
PARTS ASSEMBLIES LIST/ORDERING	25
WEARABLE SAW PARTS	26
OPERATOR'S SIGNATURE PAGE	27
LIMITED WARRANTY	28

NOTICE TO OWNERS AND OPERATORS

BIRO's products are designed to process food products safely and efficiently. Unless the operator is properly trained and supervised, however, there is the possibility of a serious injury. It is the responsibility of the owner to assure that this machine is used properly and safely, strictly following the instructions contained in this Manual and any requirements of local law.

No one should use or service this machine without proper training and supervision. All operators should be thoroughly familiar with the procedures contained in this Manual. Even so BIRO cannot anticipate every circumstance or environment in which its products will be used. You, the owner and operator, must remain alert to the hazards posed by the function of this equipment – particularly the SHARP MOVING BAND TYPE SAW BLADE. No one under eighteen (18) years of age should operate this equipment. If you are uncertain about a particular task, ask your supervisor.

This Manual contains a number of safe practices in the SAFETY TIP section. Additional warnings are placed throughout the Manual. Warnings related to your personal safety are indicated by:



OR



Warnings related to possible damage are indicated by:



BIRO also has provided a wall chart to be posted near the equipment. If any warning label, wall chart, or Manual becomes misplaced, damaged, or illegible, please contact your nearest Distributor or BIRO directly for a replacement.

Remember, however, this Manual or the warning labels do not replace the need to be alert and to use your common sense when using this equipment.

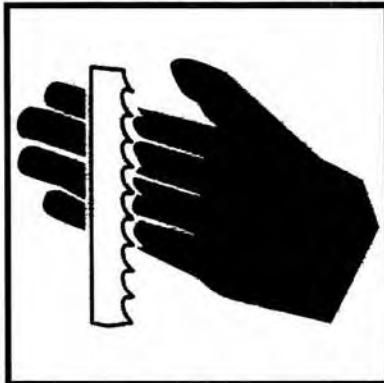
This Manual applies to all Model 55 Power Saws.

– NOTE –

A copy of this manual is included with each MODEL 55TL SAW.

The descriptions and illustrations contained in this manual are not binding. The manufacturer reserves the rights to introduce any modification without updating the manual.

SAFETY TIPS



SHARP MOVING BAND TYPE SAW BLADE TO AVOID SERIOUS PERSONAL INJURY

- NEVER Touch This Machine Without Training and Authorization By Your Supervisor.*
- ALWAYS Read Operating and Service Manual **BEFORE** Operating, Servicing or Cleaning.*
- ALWAYS Keep Hands Clear of Band Type Saw Blade and Other Moving Parts.*
- ONLY Use a Qualified Electrician to Install According to Local Building Codes: Machine **MUST** Be Properly Grounded.*
- ONLY Install on a Level, Non-Skid Surface in a Clean, Well-Lighted Work Area Away From Children and Visitors.*
- DO NOT Attempt to Operate This Machine Until it has Been Inspected and Demonstrated by the Seller – Recognized BIRO Representative.*
- DO NOT Alter or Modify This Machine in any Way From its Original Form. This Machine in its Original Form Meets the Intent of O.S.H.A. Applicable Standards.*
- NEVER Operate With Saw Guide Bar with Saw Guard in the Raised Position or the Saw Guard Removed from the Saw Guide Bar.*
- ALWAYS Adjust Saw Guide Bar with Saw Guard to Within $\frac{1}{2}$ " of Product to be Cut.*
- ALWAYS Use Safety End Cut Pusher Plate for Smaller Products or The Last Cuts of Product.*
- DO NOT Use This Machine for Non-Food Products.*
- DO NOT Use This Machine to Cut Pigs Feet.*
- DO NOT Wear Gloves While Operating.*
- ALWAYS Turn Off, Unplug From Power Source and Perform Lockout/Tagout Procedure to This Machine **BEFORE** Removing Shrouds, Removable Guards, Covers, Doors, Fences or Panels for Cleaning, Servicing or Any Other Reason.*
- NEVER Leave Machine Unattended While Operating.*
- PROMPTLY REPLACE** Any Worn or Illegible Warning Labels.*
- USE ONLY** Genuine **BIRO** Parts and Accessories Properly Installed.*

INSTALLATION



TO AVOID SERIOUS PERSONAL INJURY, PROPERLY INSTALL EQUIPMENT IN ADEQUATE WORK AREA

ALWAYS Read Operating and Service Manual **BEFORE** Operating, Servicing or Cleaning.

ALWAYS Use Qualified Technician and Electrician for Installation.

ONLY Install on a Level, Non-Skid Surface in a Clean, Well-Lighted Work Area Away From Children and Visitors.

DO NOT Attempt to Operate This Machine Until it has Been Inspected and Demonstrated by the Seller – Recognized BIRO Representative.

DO NOT Alter or Modify This Machine in any Way From its Original Form. This Machine in its Original Form Meets the Intent of O.S.H.A. Applicable Standards.

NEVER Operate With Saw Guide Bar with Saw Guard in the Raised Position or the Saw Guard Removed from the Saw Guide Bar.

ALWAYS Turn Off, Unplug From Power Source and Perform Lockout/Tagout Procedure to This Machine **BEFORE** Removing Shrouds, Removable Guards, Covers, Doors, Fences or Panels for Cleaning, Servicing or Any Other Reason.

NEVER Operate Without all Warning Labels Attached and Wall Chart Posted.

USE ONLY Genuine **BIRO** Parts and Accessories Properly Installed.

1. Read this Manual thoroughly before installation and operation. **Do not** proceed with installation and operation if you have any questions or do not understand anything in this Manual. Contact your local Distributor, or BIRO first.
2. Install machine on a level, solid, non-skid surface in a well-lighted work area away from children and visitors.



ALWAYS LEVEL MACHINE BEFORE USING

3. After installing machine in operational area, it is imperative that the four adjustable legs be adjusted to level the machine to eliminate rocking. Remove all wood supports.

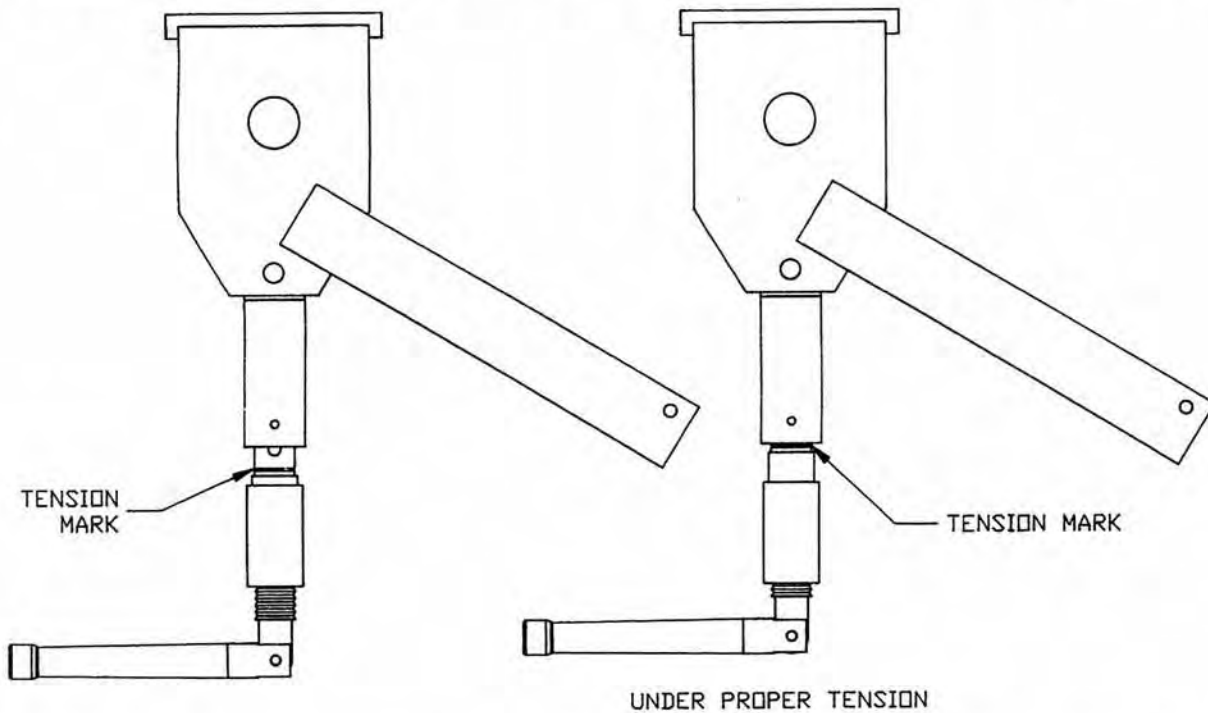


NOTE TO OWNER AND ELECTRICIAN: IF THIS MACHINE IS NOT CORD AND PLUG CONNECTED TO THE ELECTRICAL POWER SUPPLY, THEN IT SHOULD BE EQUIPPED WITH, OR CONNECTED TO, A LOCKABLE, MANUALLY OPERATED DISCONNECT SWITCH (OSHA 1010.47).

4. Machine **MUST** be properly grounded. Use qualified electrician to install according to building codes.

WIRING MOTOR

- (A) All power saws are wired at the factory for 220 volts or 440 volts as specified on original order. Be sure motor specifications (voltage, cycle, phase) match power supply line. Be sure line voltage is up to specification.
- (B) Connect leads to machine in a manner that will be approved by local electrical inspectors.
- (C) We recommend not less than No. 12 wire. If leads are too light, machine may not have sufficient cutting power and/or speed.
- (D) The V-belt is packed loose in machine to prevent deformation, and must be installed on pulleys at time of installation.
- (E) Motors are dual voltage and can be changed according to wiring diagram on motor nameplate. Be sure the correct AEG contactor and overload is installed to match the selected volts and amps.
- (F) FAILURE TO USE THE PROPER CONTACTOR AND OVERLOAD FOR MOTOR VOLTAGE WILL CAUSE IRREPARABLE DAMAGE TO THE CONTACTOR.
- (G) The BIRO Manufacturing Company is not responsible for permanent wiring, connection or installation.



- 5. Be sure saw blade is properly installed on the saw wheels and set at proper tension. Turn the blade tensioning handle clockwise until the tension mark is even with the bottom of the upper wheel hinge plate as shown.
- 6. Make sure the saw guide bar is in its lowest position. Close head and base doors and latch.



KEEP HANDS CLEAR OF SHARP MOVING BAND TYPE SAW BLADE

- 7. Push the start button and check for proper phasing of the motor. Blade should be traveling down through the saw guide.
- 8. Watch for proper tracking of the saw blade. Back of blade should be centered in the hole in saw guide in stationary bar (Item No. 119A). Push the stop button to stop machine.
- 9. Check placement of all warning labels, wall chart and Manual. Machine is ready for trained operators to process product.
- 10. Contact your local Distributor or **BIRO** directly if you have any questions or problems with installation or operation of this machine.

**WARNING LABELS
FOR BIRO POWER SAWS
SEE PAGE 11 FOR LOCATIONS ON MACHINE**

! WARNING



DO NOT Use Unless Trained and Authorized By Supervisor And Over 18 Years Old.
Read Operation Manual Thoroughly Before Operating.
ALWAYS Keep Hands Clear of Saw Blade and Other Moving Parts. Turn Off Saw when Finished Cutting.
ALWAYS Keep Blade Guard Adjusted to 1/2" Above the Product being Cut.
ALWAYS Use End Cut Pusher Plate When Cutting Smaller Piece of Product.
DO NOT Use Saw if it is Altered, Damaged, Improperly Maintained, or If Warnings Are Illegible or Missing.
ALWAYS Disconnect and Unplug from Main Power Source and Perform LOCKOUT/TAGOUT Before Cleaning or Servicing.

#653PC-E

Item No. 653PC-E

! MUCHO CUIDADO



NO Opere Esta Sierra Sin Haber Sido Entrenado Para Ello Ni Tampoco Sin Autorizacion de un Supervisor. Uno Tiene que Haber Cumplido 18 Anos Para Operarla.
LEA Cuidadosamente el Manual de Operacion Antes de Usar Este Equipo.
SIEMPRE Guarde las Manos a Salvo de la Hoja de Serrar y de Otras Partes Moviles. Cirre el Interruptor Despues de Terminar de Cortar.
SIEMPRE Tenga Adjustado el Guardasierra Para que Quede a 1/2" Por Encima del Producto que se Corta.
SIEMPRE Haga Uso de la Place de Empuje Para Cortes de Extremos al Cortar Trocitos Pequenos.
NO Utilice la Sierra si se Halla Alterada, Danadao si No ha Sido Debidamente Mantenido o si la Advertencia es Alegible o si Falta Esta.
SIEMPRE Desconnecte el Equipo Decenchifandolo de la Fuente de Fuerza. Dejelo Bajo Llave o con Etiqueta que Prohiba su Uso Antes de Limpiarlo o Hacer Trabajos de Mantenimiento.

#653PC-SP

Item No. 653PC-SP

ALWAYS LOWER GUARD TO HEIGHT OF PRODUCT



**D E X P O S E D
A N G E R
B L A D E**



Item No. 708

OPERATION



SHARP MOVING BAND TYPE SAW BLADE TO AVOID SERIOUS PERSONAL INJURY

NEVER Touch This Machine Without Training and Authorization By Your Supervisor.

*ALWAYS Read Operating and Service Manual **BEFORE** Operating, Servicing or Cleaning.*

ALWAYS Keep Hands Clear of Band Type Saw Blade and Other Moving Parts.

DO NOT Tamper With, Bypass, Alter, or Modify this Equipment in Any Way or Form.

DO NOT Alter or Modify This Machine in any Way From its Original Form. This Machine in its Original Form Meets the Intent of O.S.H.A. Applicable Standards.

NEVER Operate With Saw Guide Bar with Saw Guard in the Raised Position or the Saw Guard Removed from the Saw Guide Bar.

ALWAYS Adjust Saw Guide Bar with Saw Guard to Within $\frac{1}{2}$ " of Product to be Cut.

ALWAYS Use Safety End Cut Pusher Plate for Smaller Products or The Last Cuts of Product.

DO NOT Use This Machine for Non-Food Products.

DO NOT Use This Machine to Cut Pigs Feet.

DO NOT Wear Gloves While Operating.

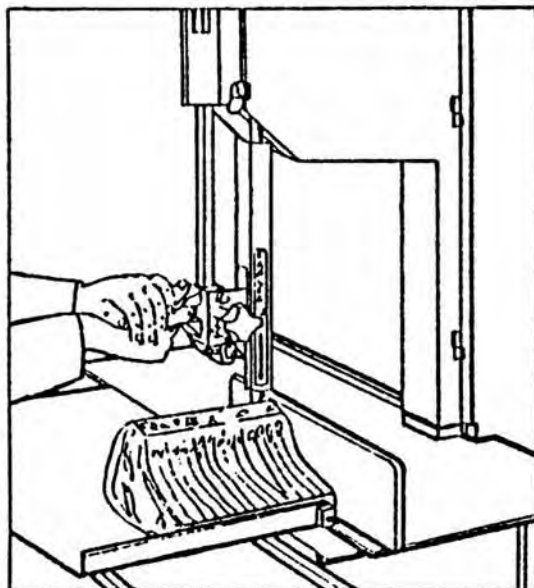
*ALWAYS Turn Off, Unplug From Power Source and Perform Lockout/Tagout Procedure to This Machine **BEFORE** Removing Shrouds, Removable Guards, Covers, Doors, Fences or Panels for Cleaning, Servicing or Any Other Reason.*

NEVER Leave Machine Unattended While Operating.

NEVER Operate Without All Warnings Attached and Wall Chart Posted.

A. TO PROCESS PRODUCT

1. Before starting power cutter, adjust saw guide bar with saw guard down to within $\frac{1}{2}$ " (13mm) of product to be cut.





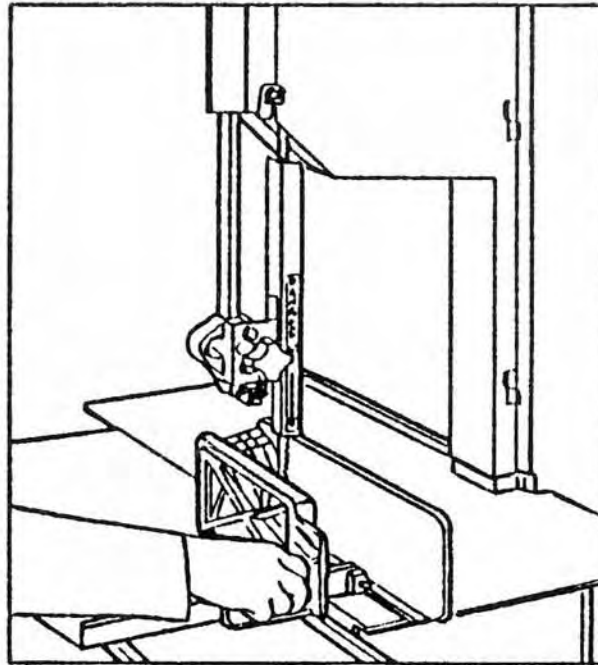
DO NOT WEAR GLOVES WHILE OPERATING

2. Make sure all doors are closed and latched.
3. Adjust meat gauge assembly forward to desired thickness of cut.
4. Push start button and watch blade for proper tracking.
5. Standing in front of the power cutter, place product on the meat carriage. Pay attention to position of your hands. Keep hands clear of moving band type saw blade. Leaning lightly against the scalloped front edge of meat carriage, hold the product firmly in right hand with product face flush against meat gauge plate. Move the meat carriage from right to left at a steady rate until fully past the saw blade. Use left hand to remove and stack cut product, **NEVER REACH IN FRONT OF BAND TYPE SAW BLADE**. On the return stroke, pull the product toward you, away from saw blade.



NEVER REACH OR GRAB FOR PRODUCT IN FRONT OF MOVING BAND TYPE SAW BLADE

6. ALWAYS use the Safety End Cut Pusher Plate (Part No. 256P) for smaller products or the last cuts of product. The pusher plate is supplied as standard equipment on all BIRO power saws.



7. When finished cutting, push stop button. Perform lockout/tagout procedure.

CLEANING



SHARP MOVING BAND TYPE SAW BLADE TO AVOID SERIOUS PERSONAL INJURY

ALWAYS Turn Off, Unplug From Power Source and Perform Lockout/Tagout Procedures to This Machine **BEFORE** Removing Shrouds, Removable Guards, Covers, Doors, Fences or Panels for Cleaning, Servicing or Any Other Reason.

ALWAYS Read Operating and Service Manual **BEFORE** Operating, Servicing or Cleaning.

DO NOT Alter or Modify This Machine in any Way From its Original Form. This Machine in its Original Form Meets the Intent of O.S.H.A. Applicable Standards.

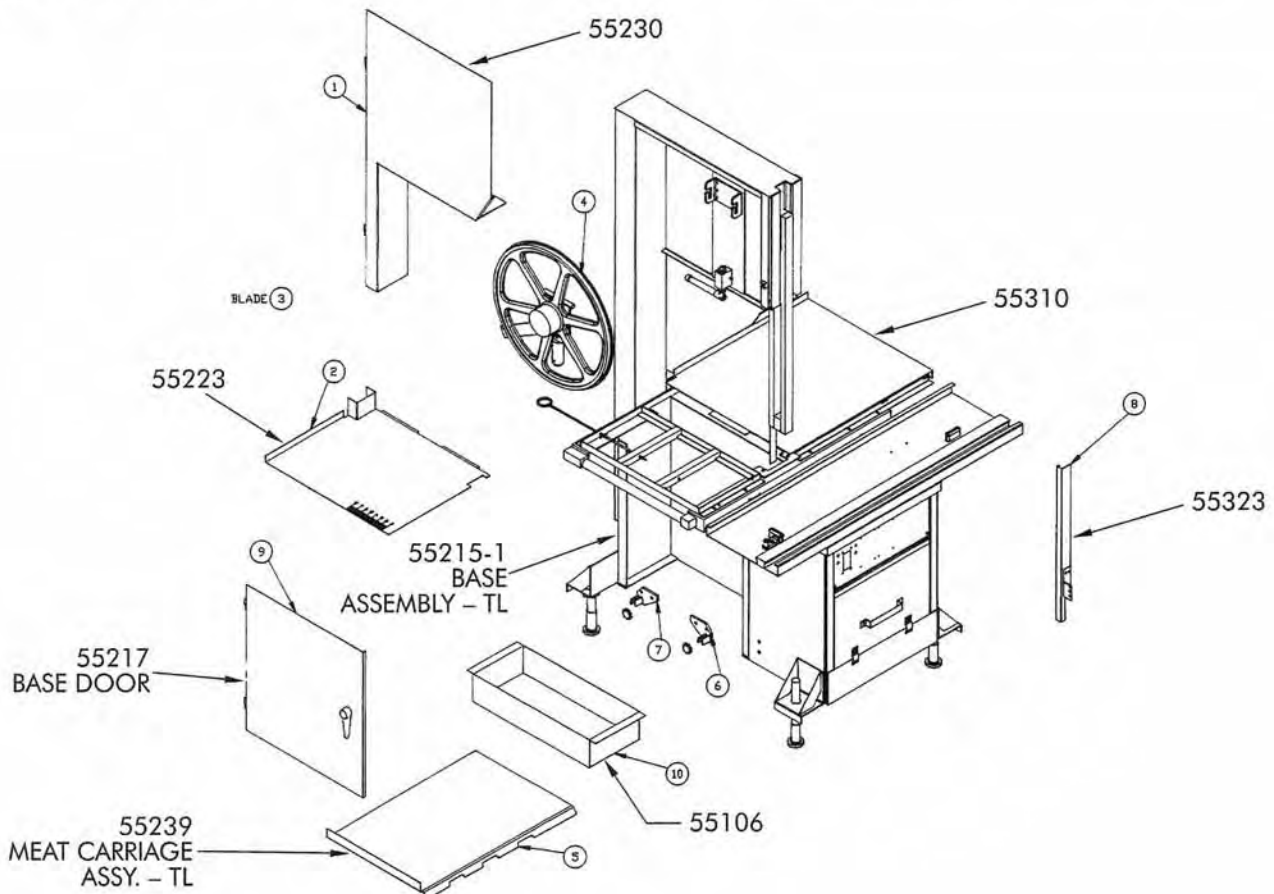
ONLY Use Recommended Cleaning Equipment, Materials and Procedures.

NEVER Spray Water or Other Liquid Substances Directly at Motor, Power Switch or any Other Electrical Components.

ALWAYS Thoroughly Clean Equipment Daily.

CLEANING THE BIRO POWER CUTTER:

Disconnect the electrical power from the machine before cleaning. Parts to be removed have been made accessible and can be removed without tools. Notice the drawing below that all parts are numbered. Each part should be removed for cleaning in the numbered sequence shown. To ensure cleaner cuts, keep the cleaning system in good condition. Parts on the cleaning system which should be checked weekly, and changed as required. See Maintenance on pages 9 & 10.



MAINTENANCE



SHARP MOVING BAND TYPE SAW BLADE TO AVOID SERIOUS PERSONAL INJURY

ALWAYS Turn Off, Unplug From Power Source and Perform Lockout/Tagout Procedure to This Machine **BEFORE** Removing Shrouds, Removable Guards, Covers, Doors, Fences or Panels for Cleaning, Servicing or Any Other Reason.

ALWAYS Read Operating and Service Manual **BEFORE** Operating, Servicing or Cleaning.

NEVER Touch This Machine Without Training and Authorization By Your Supervisor.

NEVER Bypass, Alter or Modify This Machine in any Way From its Original Form. This Machine in its Original Form Meets the Intent of O.S.H.A. Applicable Standards.

ALWAYS Keep Hands Clear of Band Type Saw Blade and Other Moving Parts.

PROMPTLY REPLACE Any Worn or Illegible Labels.

USE ONLY GENUINE BIRO Parts and Accessories Properly Installed.

A. GENERAL

1. Machine should be generally inspected every time it is cleaned (at least daily) to ensure that it is in good condition and has not been damaged or tampered with.
 - a. **SAW WHEELS:** Clean outer diameter grooves daily. Check for cracks, gouges or wear on flange and grooves.



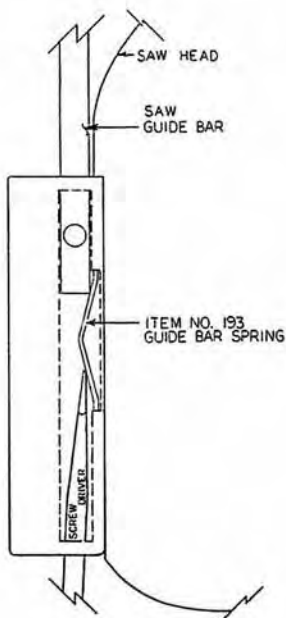
DO NOT IMMERSE UPPER WHEEL ASSEMBLY IN WATER

- b. **WHEEL CLEANER ASSEMBLIES:** Check condition of fiber cleaner, change every four (4) weeks.
- c. **REMOVABLE FINGER LIFT ASSEMBLY:** Check condition of saw guard, make sure mounting bolts are tight and "DANGER EXPOSED BLADE" decal is attached and legible. Check condition of upper saw guide (Part No. 602B), replace every six (6) months. Check adjustment of upper saw guide. Should be $\frac{1}{32}$ " between back of blade and saw guide carbide.



NEVER USE THIS MACHINE WITHOUT PROPERLY INSTALLED AND FUNCTIONING SAW GUIDE BAR WITH SAW GUARD

- d. **SAW GUIDE BAR:** Check condition of inner and outer saw guide bar, replace as necessary. Check saw guide bar spring for proper tension. The spring should hold the bars in any desired position in its travel. Replace saw guide bar spring (Part No. 193) as necessary using instructions on following page.



1. Remove the finger lift fastener knob (Item No. 211A-291Q) and the finger lift assembly (Item No. 55234).
2. Remove the finger lift fastener stud (Item No. 211D).
3. Unbolt and remove the outer saw guide bar (Item No. 55190) and the guide bar spacer blocks (Item No. 116RS).
4. Push the inner saw guide bar (Item No. 55189) up and out of the top of the head structure.
5. Remove the saw guide bar spring (Item No. 193).
6. Lower the new saw guide bar spring through the top of the babbitt pocket area and guide the spring into its seating position with a standard screwdriver. (NOTE: Drawing)
7. While holding the saw guide bar spring in position, re-enter the inner saw guide bar from the top. Compress the saw guide bar spring slightly with the screwdriver tip until the saw guide bar slides past the spring.
8. Replace the outer saw guide bar and spacer blocks, the finger lift fastener stud, the fingerlift assembly and the fingerlift fastener knob.
9. Test by placing saw guide bar in several positions. Verify that it stays in desired position.

- e. **STATIONARY BAR ASSEMBLY:** Check condition of nylon filler (Part No. 177), change every four (4) weeks. Check condition of saw guide (Item No. 119A), check tracking of blade through guide, back of blade should be centered in hole, replace every six (6) months. Check condition and adjustment of lower blade back-up guide (Part No. S608), should have $\frac{1}{32}$ " gap between back of blade and saw guide carbide. Replace every six (6) months.
- f. **SAW CLEANERS:** Check condition of blade cleaners (Item No. 131), replace every four (4) weeks.
- g. **MEAT GAUGE ASSEMBLY:** Check free movement of meat gauge arm on gear rack. Gear rack to be kept lubricated at all times with light food grade oil. Check operation of release handle. Check that worm gear engages properly with gear rack.
- h. **MEAT CARRIAGE ASSEMBLY:** Check free movement through full range of travel. Check for side to side tolerance, adjust as necessary. Check condition of and grease bearings, replace as necessary. Check condition of thumb guard, replace as necessary.
- i. **SAFETY ITEMS:** Check for safety end cut pusher plate is with machine and accessible. All warning labels present, properly affixed and legible. Model and Serial Number plate properly affixed and legible. Wall poster within operators view from machine. Operating and Service Manual accessible to operator.

B. LUBRICATION

1. **UPPER WHEEL BEARINGS:** Grease every four (4) months. Change grease every twelve (12) months.
2. **MEAT CARRIAGE BEARINGS:** Grease every four (4) weeks.
3. **SAW GUIDE BAR:** Oil daily with food machine oil.
4. **INNER MEAT GAUGE GEAR RACK:** Oil daily with food machine oil.
5. **MOTOR BEARINGS:** Bearing grease will lose its lubricating ability over time, not suddenly. The lubricating ability of a grease (over time) depends primarily on the type of grease, the size of the bearing, the speed at which the bearing operates and the severity of the operating conditions. Good results can be obtained if the following recommendations are used in your maintenance program.

A high grade ball or roller bearing grease should be used. Recommended grease for standard service conditions is Polyrex EM (Exxon Mobil).

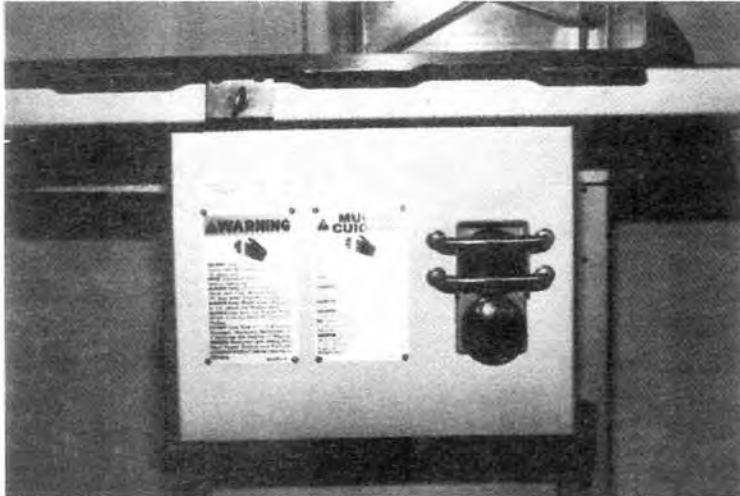
Equivalent and compatible greases include: Texaco Polystar, Rykon Premium #2, Pennzoil Pen 2 Lube, and Chevron SRI.

Recommended lubrications intervals is every 9 months with the equivalent of two (2) teaspoons of grease.

C. CHANGING THE SAW BLADE

Disconnect electrical power to the machine. Move meat gauge plate to rear of machine on gear rack and turn away from head out of the way. Open the head door fully. Pull out platter hold down rod. Remove right side platter half. Release tension on blade, turn tensioning handle counter-clockwise. Lift nylon filler. Remove blade. Install new blade by reversing procedure. Be sure tension mark is even with the bottom of the hinge plate for proper blade tension.

WARNING LABELS LOCATIONS ON MODEL 55 POWER SAWS

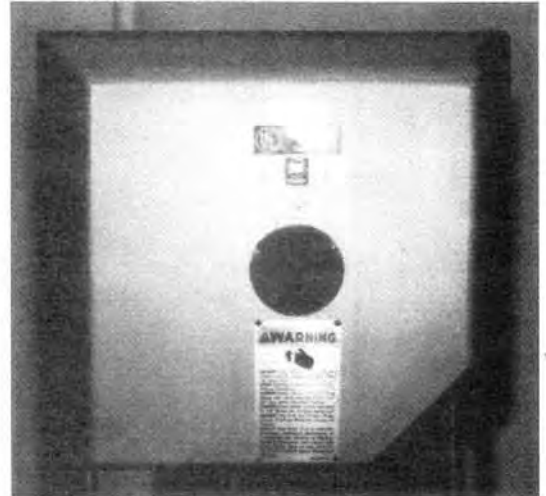


Item No. 653PC-E Warning label,
English

1 ea. attached to channel bracket

Item No. 653PC-SP Warning label,
Spanish

1 ea. attached to channel bracket



Item No. 653PC-E Warning label,
English

1 ea. attached to head below
Model & S/N plate.

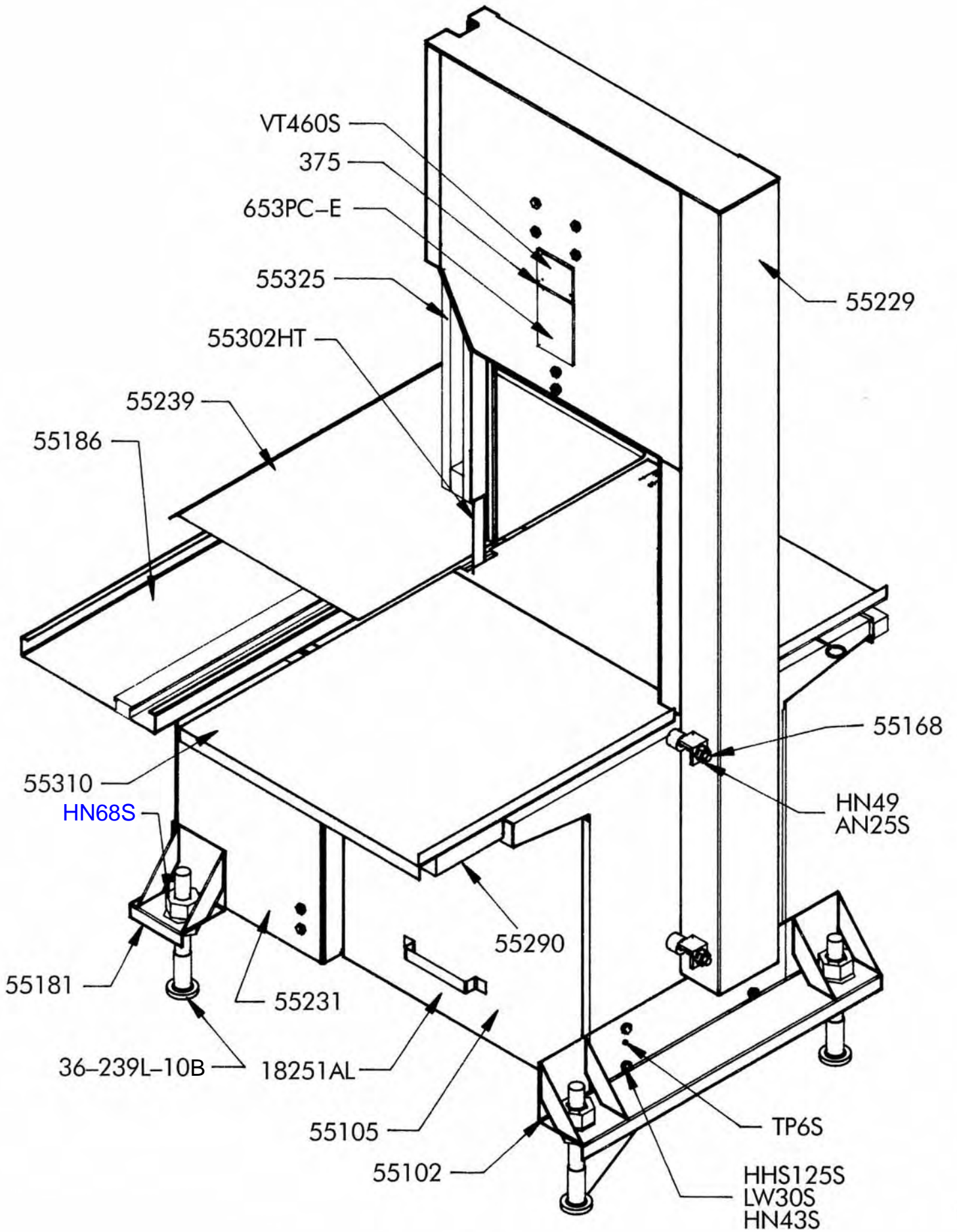
ALWAYS
LOWER
GUARD
TO
HEIGHT
OF
PRODUCT

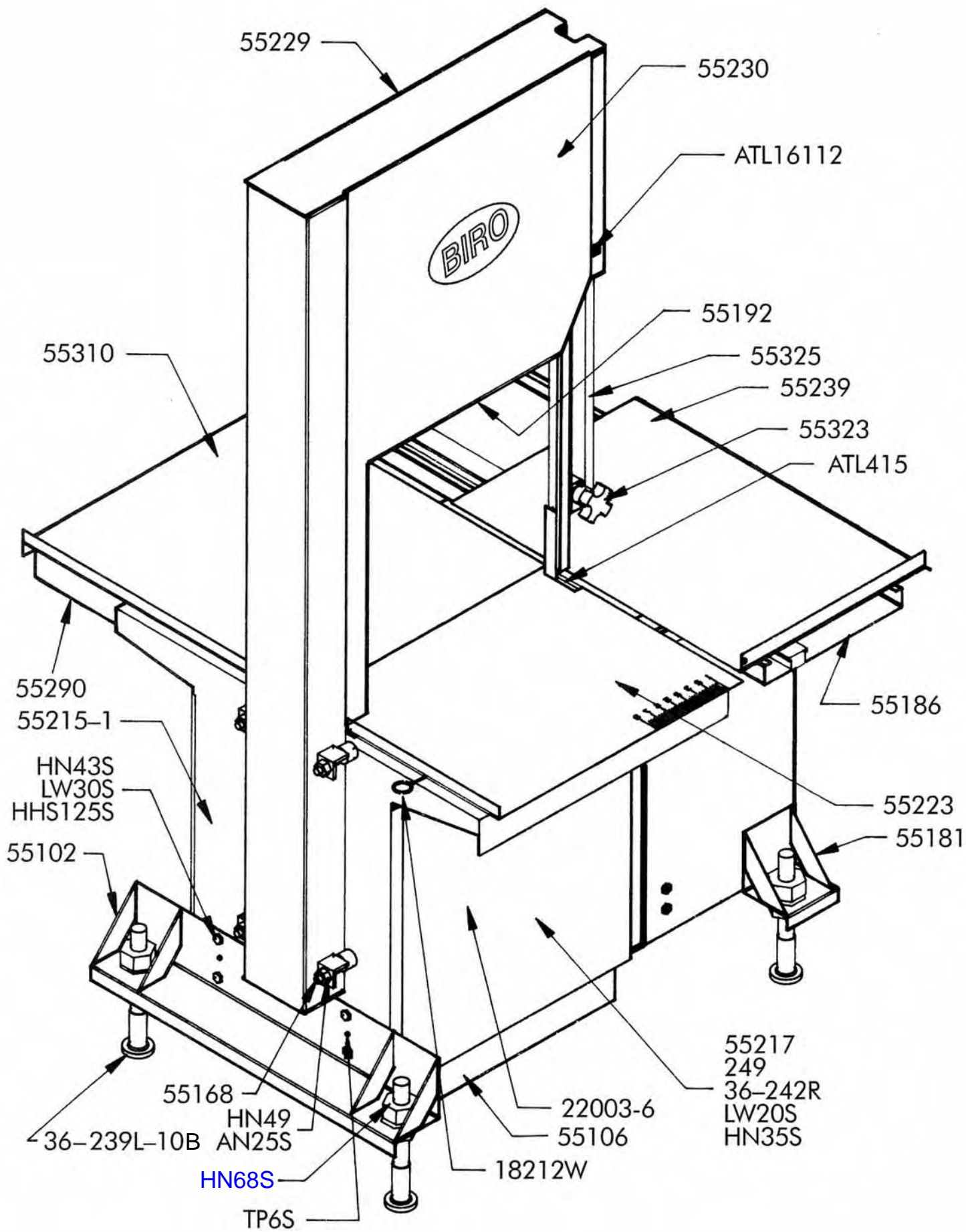


D
E
X
P
O
S
E
D
B
L
A
D
E
D
A
N
G
E
R
↓

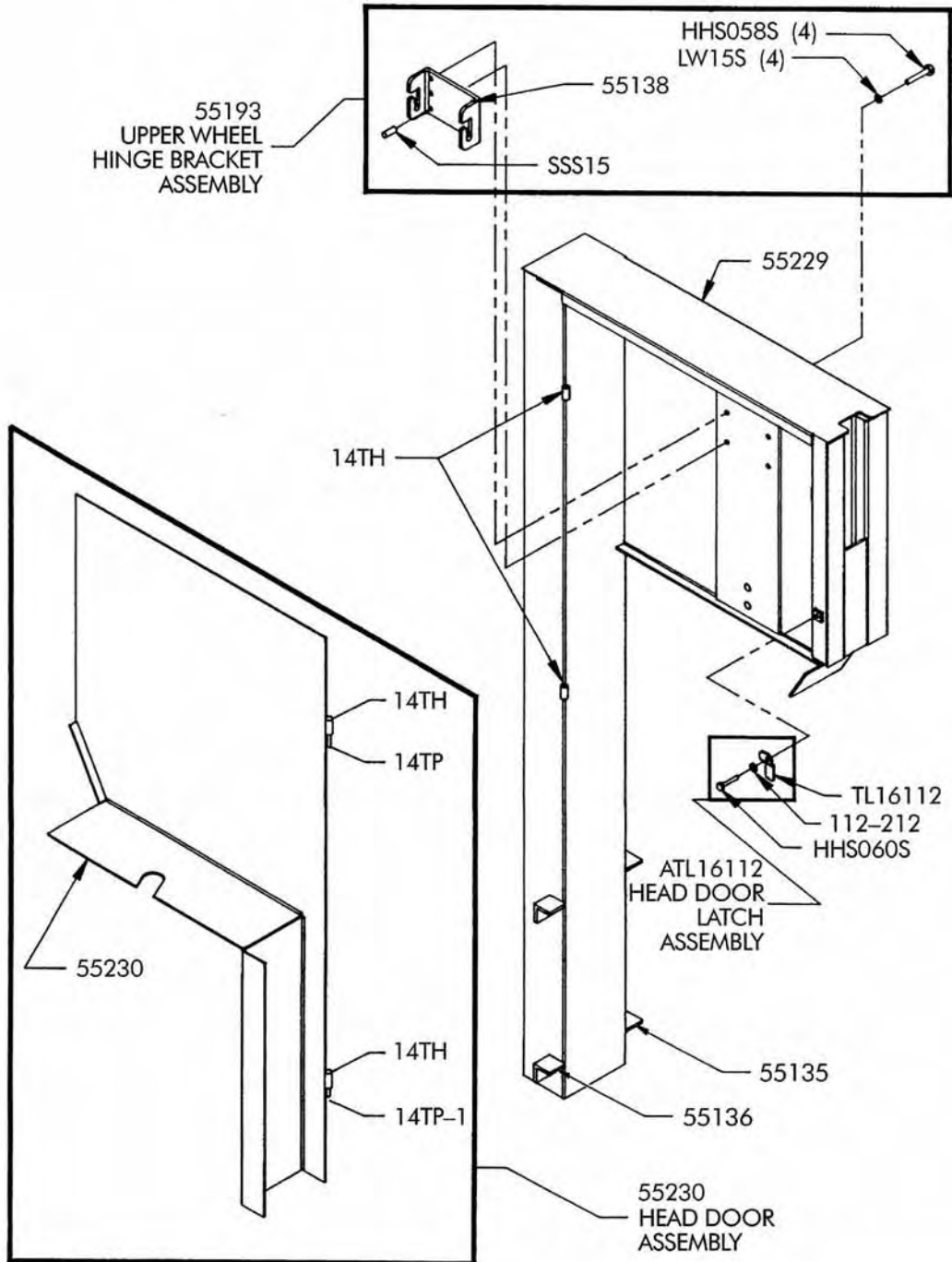


Item No. 708; DANGER
Exposed Blade
Attached to saw guard on
saw guide bar





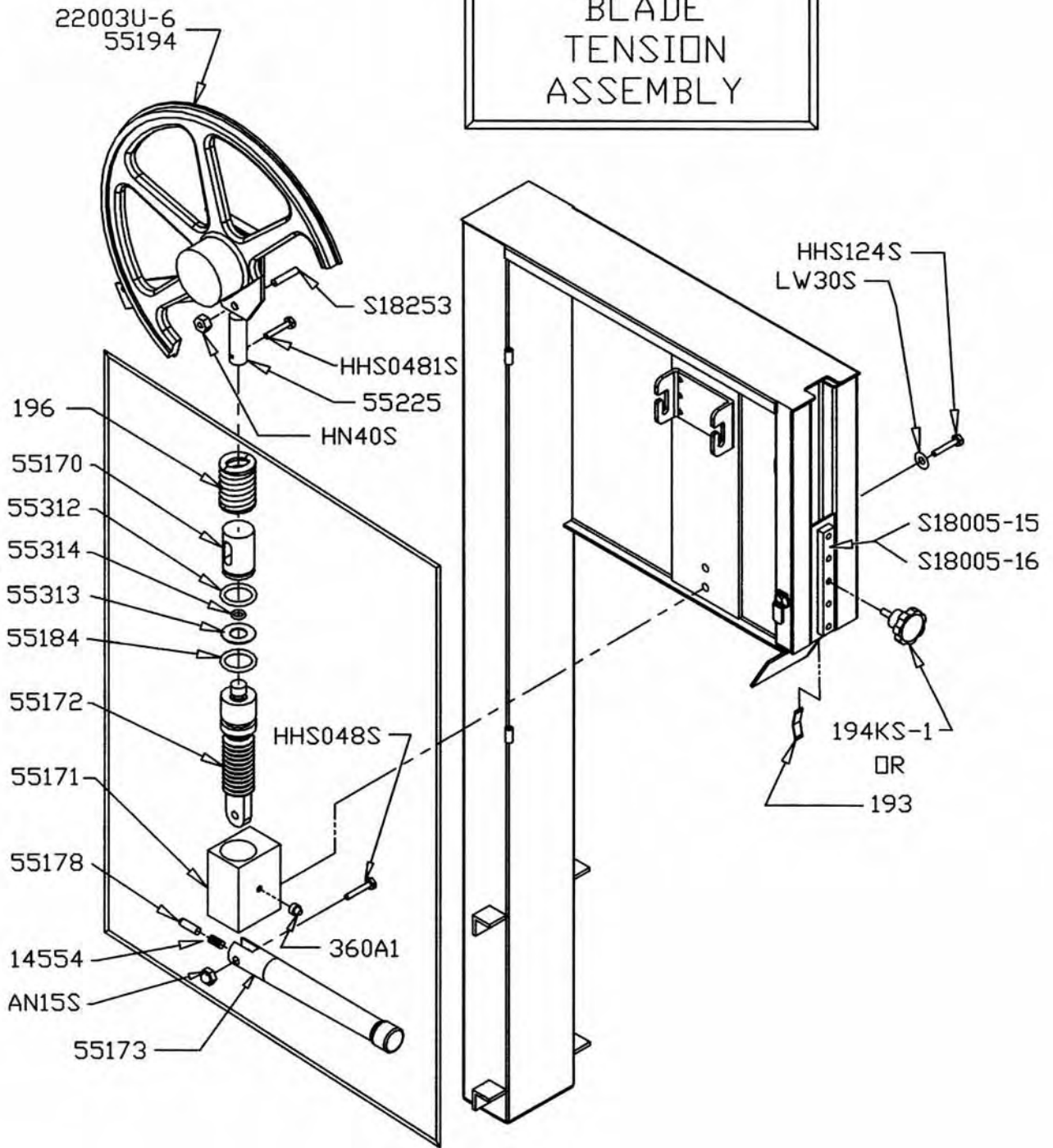
**55326
S.S. HEAD & DOOR
ASSEMBLY - TL**



Item No.	Description
ATL16112	Head door latch assembly
HHS058S	Hex head screw, $\frac{5}{16}$ -18 x $\frac{3}{8}$, SS
HHS060S	Hex head screw, $\frac{5}{16}$ -18 x 1, SS
LW15S	Lock washer, $\frac{5}{16}$, SS
SSS15	Set screw, $\frac{3}{16}$ -18 x $\frac{3}{16}$, SS
TL16112	True left head door latch
112-212	Waved washer
14TH	Head door hinge welded
14TP	Head door hinge pin, 1 $\frac{1}{2}$ "

Item No.	Description
14TP-1	Head door hinge pin, 1 $\frac{1}{4}$ "
55135	Right support angle
55136	Left support angle
55138	Hinge bracket, upper wheel
55193	Upper wheel hinge bracket assembly
55229	True left head
55230	True left head door w/ VTS7181
55326	Head & door assembly - TL

55192
BLADE
TENSION
ASSEMBLY



Item No.	Description
AN15S	Acorn nut, 1/4-20, SS
HHS0481S	Hex head screw, 1/4-20 x 1 1/2, SS
HHS124S	Hex head screw, 1/2-13 x 7/8, SS
HN40S	Hex nut, 1/2-13 light jam, SS
LW30S	Lock washer, 1/2, SS
S18005-15	Position mount - 1/2 thick
S18005-16	Position mount - 1/16 thick
S18253	Upper wheel aligning screw, SS
193	Saw guide bar spring
194KS-1	Lock knob 1/8
196	Saw tension spring
360A1	Grease fitting

Item No.	Description
55170	Blade tension cap gauge
55171	Blade tension adjustment housing
55172	Blade tension screw
55173	Blade tension adjustment handle
55184	O-ring, blade tension screw
55192	Blade tension assembly
55194	Upper wheel assembly w/hinge plate
55225	Upper wheel hinge plate - TL
55312	O-ring for tension cap gauge
55313	Plastic washer - tension screw
55314	O-ring, plastic washer

BLADE TENSION SCREW INSTALLATION INSTRUCTIONS

Disconnect the machine from main power supply.

Loosen tension on the saw blade and remove the upper wheel assembly.

Unbolt the (A) tensioning handle from the (B) blade tension screw.

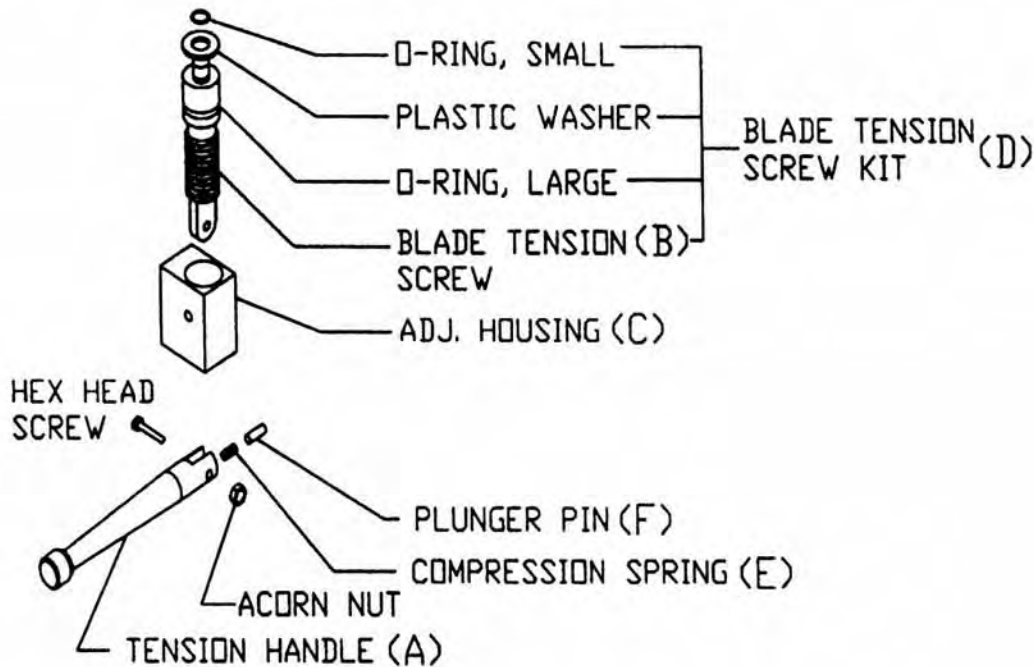
At the bottom handle mount turn the (B) blade tension screw clockwise until it can be lifted out of the (C) housing.

Apply a good food grade grease to the replacement (D) tension screw and install into the (C) housing turning counterclockwise until it bottoms out.

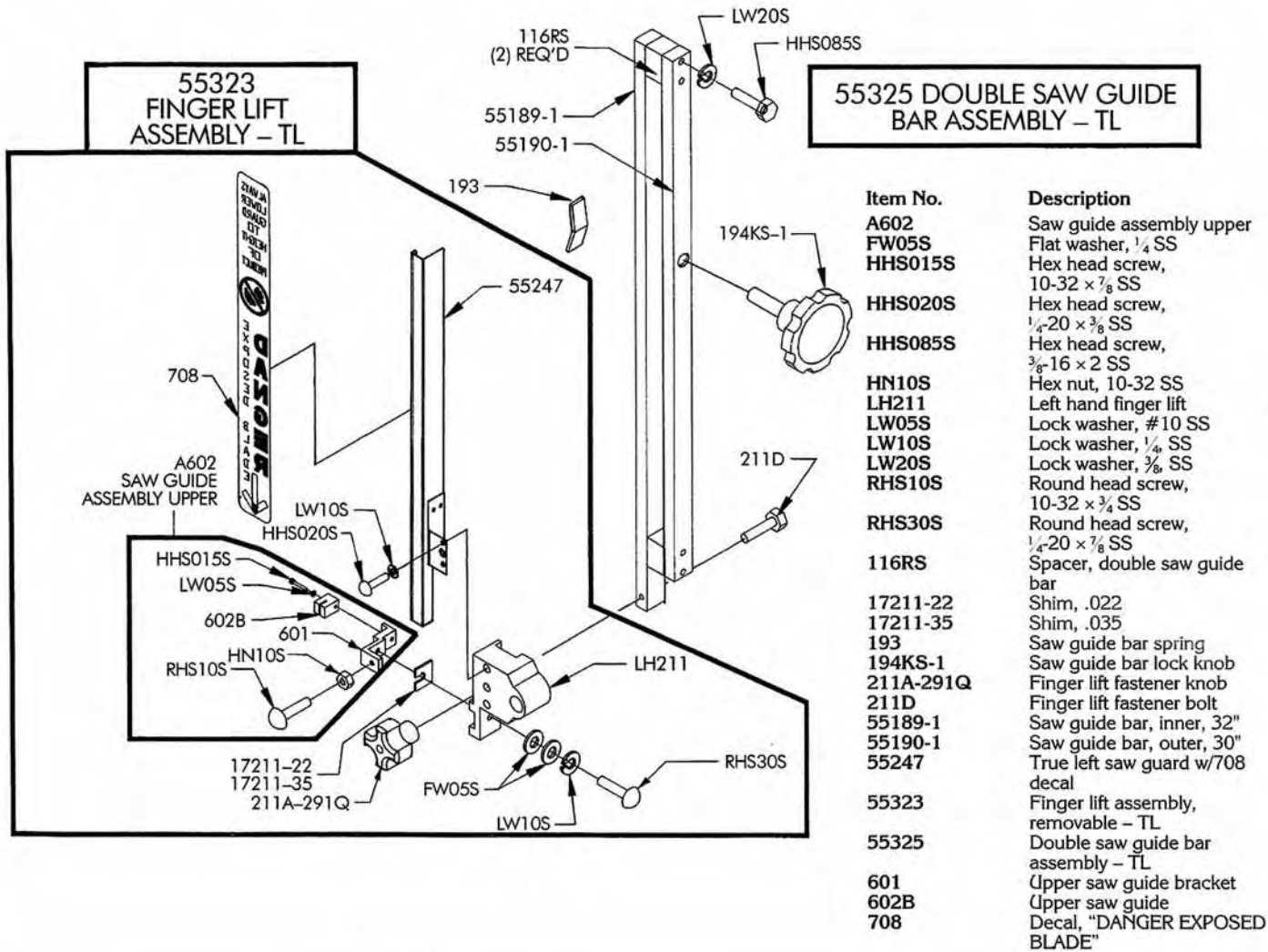
Replace the (A) tensioning handle. Be sure the (E) spring and (F) plunger pin are still present in the end of the (A) handle.

Replace the upper wheel assembly and blade.

Turn the handle clockwise tensioning the blade.



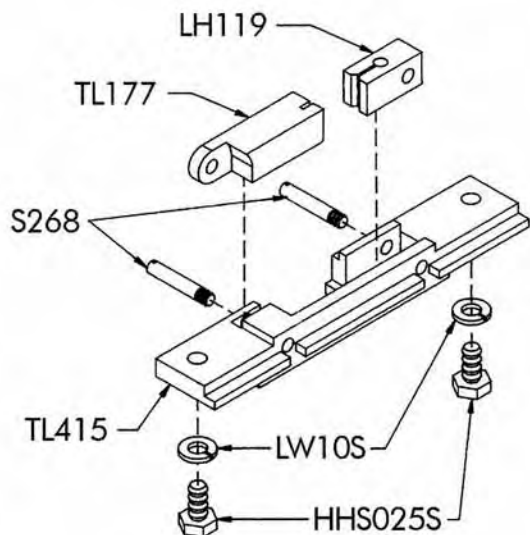
(A)	55173	Tension handle	55184	O-ring, large
(B)	55172	Blade tension screw	55313	Plastic washer
(C)	55171-1	Adjustment housing	55314	O-ring, small
(D)	55172K	Blade tension screw kit	AN15S	Acorn nut, 1/4-20
(E)	14554	Compression spring	HHS048S	Hex head screw 1/4-20 x 1 1/4
(F)	55178	Plunger pin		



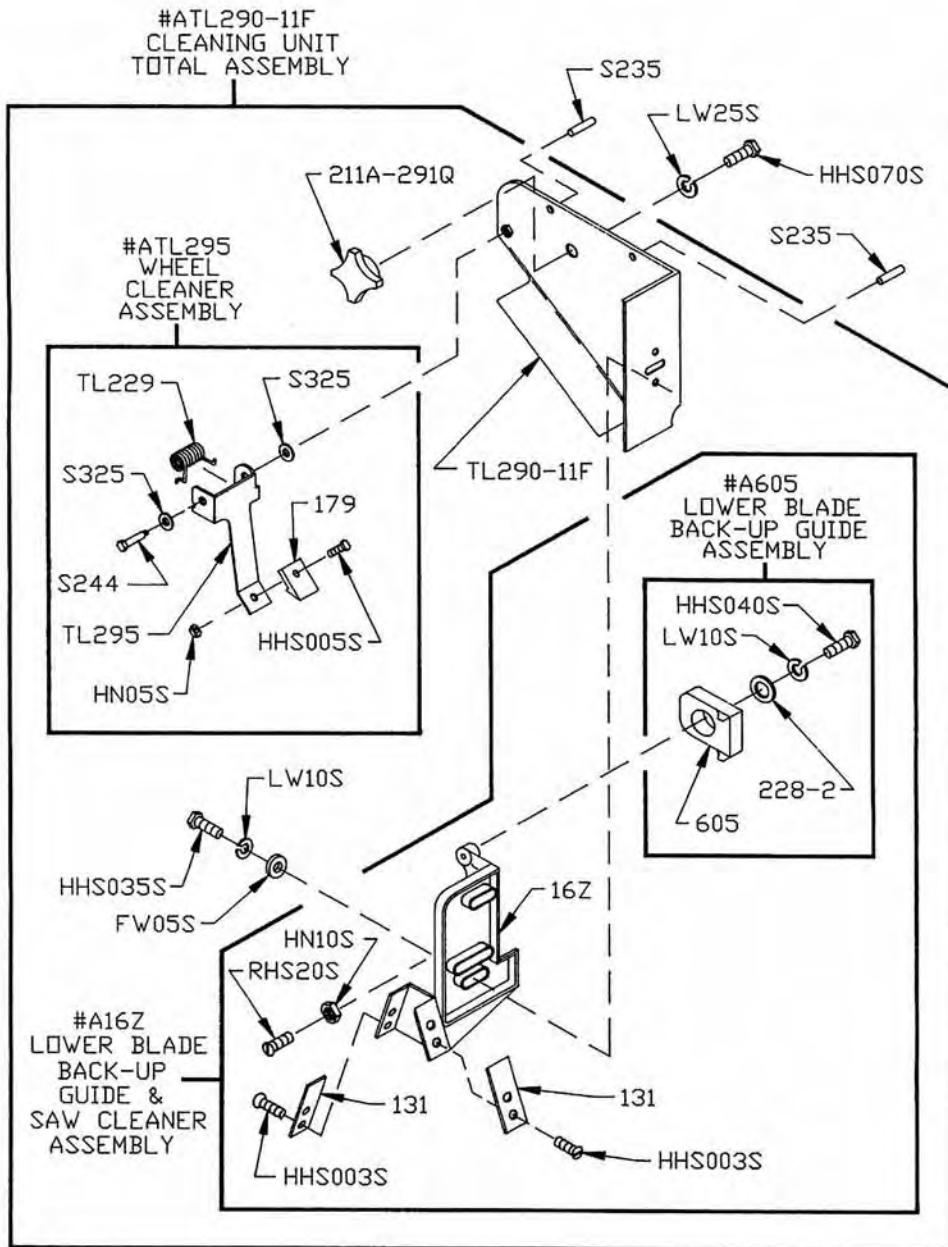
55325 DOUBLE SAW GUIDE BAR ASSEMBLY – TL

Item No.	Description
A602	Saw guide assembly upper
FW05S	Flat washer, 1/4 SS
HHS015S	Hex head screw, 10-32 x 7/8 SS
HHS020S	Hex head screw, 1/4-20 x 3/8 SS
HHS085S	Hex head screw, 3/8-16 x 2 SS
HN10S	Hex nut, 10-32 SS
LH211	Left hand finger lift
LW05S	Lock washer, #10 SS
LW10S	Lock washer, 1/4 SS
LW20S	Lock washer, 3/8 SS
RHS10S	Round head screw, 10-32 x 3/4 SS
RHS30S	Round head screw, 1/4-20 x 7/8 SS
116RS	Spacer, double saw guide bar
17211-22	Shim, .022
17211-35	Shim, .035
193	Saw guide bar spring
194KS-1	Saw guide bar lock knob
211A-291Q	Finger lift fastener knob
211D	Finger lift fastener bolt
55189-1	Saw guide bar, inner, 32"
55190-1	Saw guide bar, outer, 30"
55247	True left saw guard w/708 decal
55323	Finger lift assembly, removable – TL
55325	Double saw guide bar assembly – TL
601	Upper saw guide bracket
602B	Upper saw guide
708	Decal, "DANGER EXPOSED BLADE"

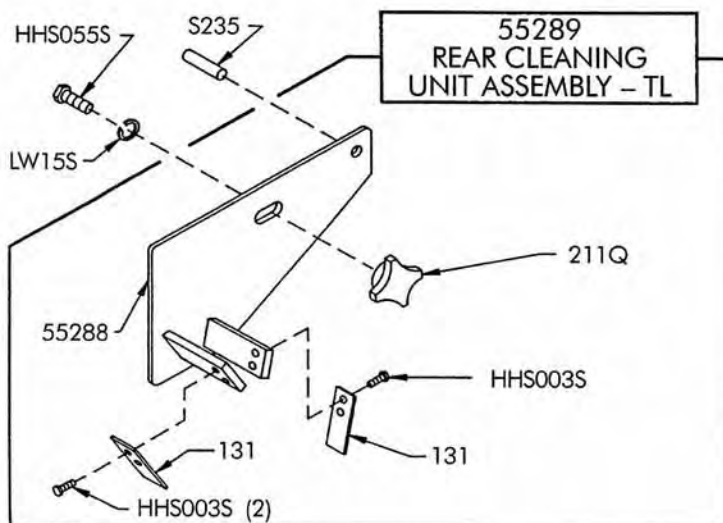
ATL415 STATIONARY BAR ASSEMBLY



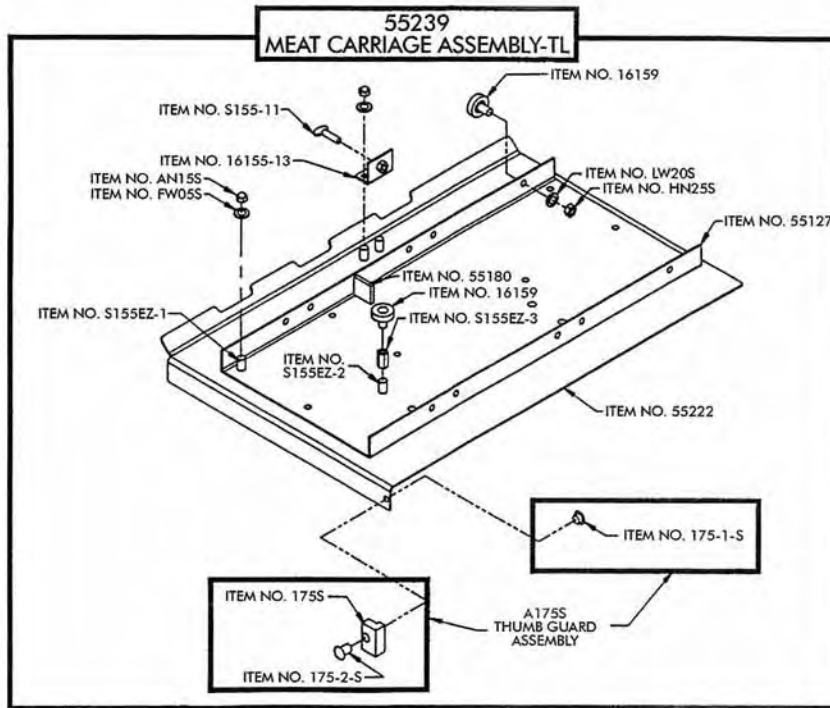
Item No.	Description
ATL415	True left stationary bar assembly
HHS025S	Hex head screw, 1/4-20 x 7/8 SS
LH119	Left hand saw guide
LW10S	Lock washer, 1/4 SS
S268	Stationary bar headless screw
TL177	True left nylon filler
TL415	True left stationary bar, SS



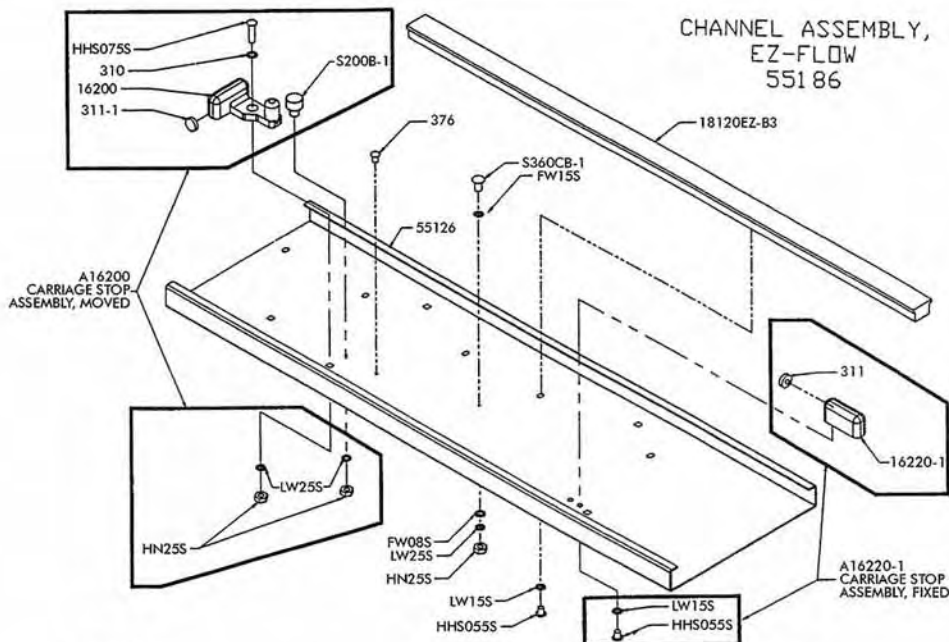
Item No.	Description
ATL290-11F	TL front cleaning unit assembly
ATL295	True Left wheel cleaner assembly
A16Z	Guide bracket saw cleaner assembly
A605	Lower blade back-up guide assembly
FW05S	Flat washer 1/4, SS
HHS003S	Hex head screw, 8-32 x 1/4 SS
HHS005S	Hex head screw, 8-32 x 1/2, SS
HHS035S	Hex head screw, 1/4-20 x 3/8 SS
HHS040S	Hex head screw, 1/4-20 x 3/4 SS
HHS070S	Hex head screw, 3/8-16 x 1 SS
HN05S	Hex nut, 8-32, SS
HN10S	Hex nut 10-32, SS
LW10S	Lock washer, 1/4, SS
LW25S	Lock washer 5/16, SS
RHS20S	Round head screw, 10-32 x 1 1/8, SS
S235	Taper pin, 4 x 3/4, SS
S244	Wheel cleaner arm shoulder bolt, SS
S325	Wheel cleaner arm washer, SS
TL229	True left wheel cleaner arm spring
TL290-11F	True left front cleaning unit
TL295	True left wheel cleaner arm
131	Blade cleaner
14640	Wheel cleaner, Rulon
16Z	Lower guide bracket saw cleaner holder
179	Wheel cleaner
211A-291Q	Fastener knob
228-2	Lower saw guide washer 1/4 x 1 OD, SS
605	Lower blade back up



Item No.	Description
55289	Rear cleaning unit assembly - TL
HHS003S	Hex head screw, 8-32 x 1/4 SS
HHS055S	Hex head screw, 5/16-18 x 3/4 SS
LW15S	Lock washer, 5/16, SS
55288	Rear blade cleaning unit - TL
S235	Taper pin, 4 x 3/4, SS
131	Saw cleaner, SS
211Q	Fastener knob, 5/16-18, 4 point

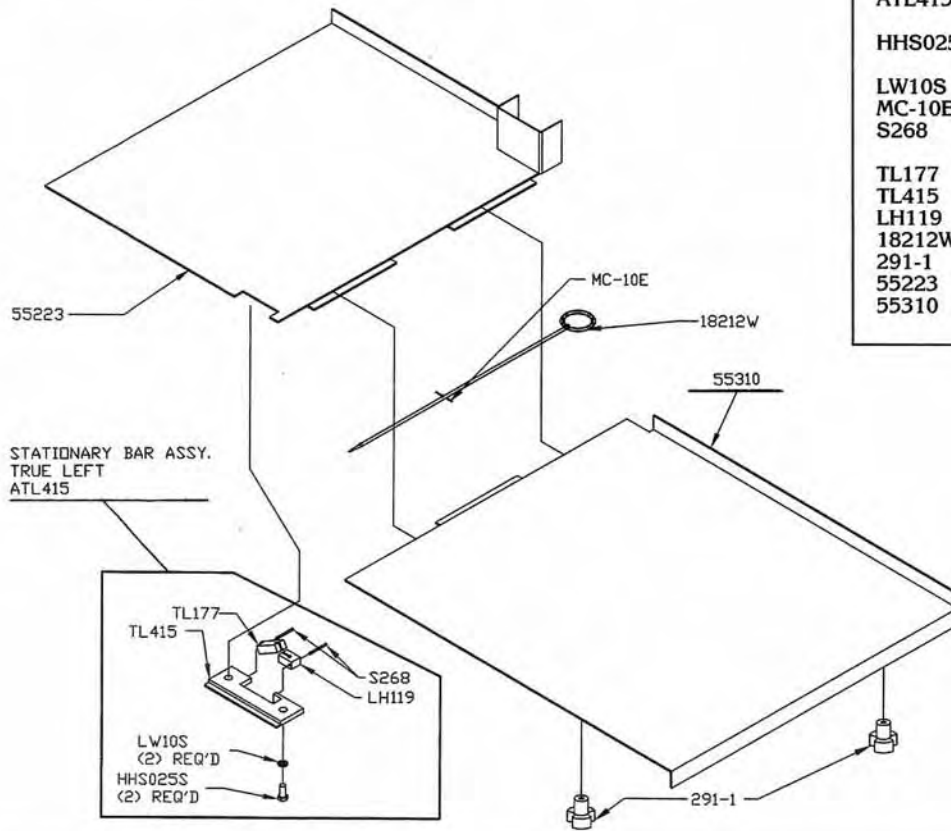


Item No.	Description	Item No.	Description
A175S	Thumb guard assembly, NSS	16155-13	Carriage stop angle, SS
AN15S	Acorn nut, 1/4-20, SS	16159	Meat carriage bearing, SS
FW05S	Flat washer, 1/4, SS	175S	Thumb guard
HN25S	Hex nut, 3/8-16, SS	175-1-S	Thumb guard nut, SS
LW20S	Lock washer, 3/8, SS	175-2-S	Thumb screw, SS
S155EZ-1	Weld stud, 1/4-20 x 3/8, SS	55127	Meat carriage angle, EZ flow
S155EZ-2	Weld stud, 3/8-16 x 1/2, SS	55222	Meat carriage top only - TL
S155EZ-3	Hex stand-off	55180	Carriage stop
S155-11	Meat carriage stop thumb screw, SS	55239	Meat carriage assembly - TL



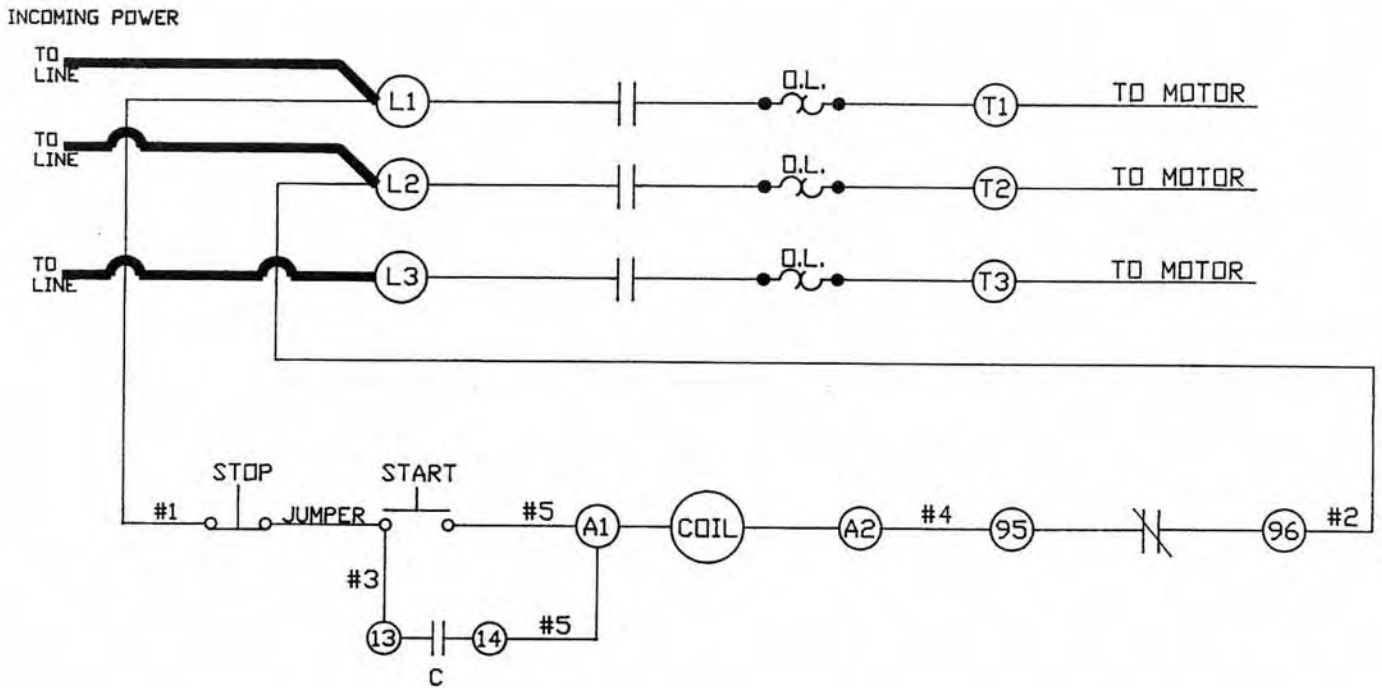
Item No.	Description	Item No.	Description
A16200	Channel stop assembly, movable	S360CB-1	Carriage bolt, 3/8-16 x 1/4, SS
A16220-1	Channel stop assembly, fixed	16200	Carriage stop, movable
FW08S	Flat washer, 3/8, SS	16220-1	Carriage stop, fixed
FW15S	Flat washer, 1/2, SS	18120EZ-B3	Guide bar, EZ flow
HHS055S	Hex head screw, 3/16-18 x 3/4, SS	310	Waved washer
HHS075S	Hex head screw, 3/8-16 x 1 1/4, SS	311	Rubber bumper for stops
HN25S	Hex nut, 3/8-16, SS	311-1	Rubber bumper for movable stop
LW15S	Lock washer, 3/16, SS	376	Drive screw, #10 x 1/2, SS
LW25S	Lock washer, 3/8 heavy, SS	55126	Channel, EZ flow
S200B1	Carriage stop stud, SS	55186	Channel assembly, EZ flow

PLATTER ASSEMBLY



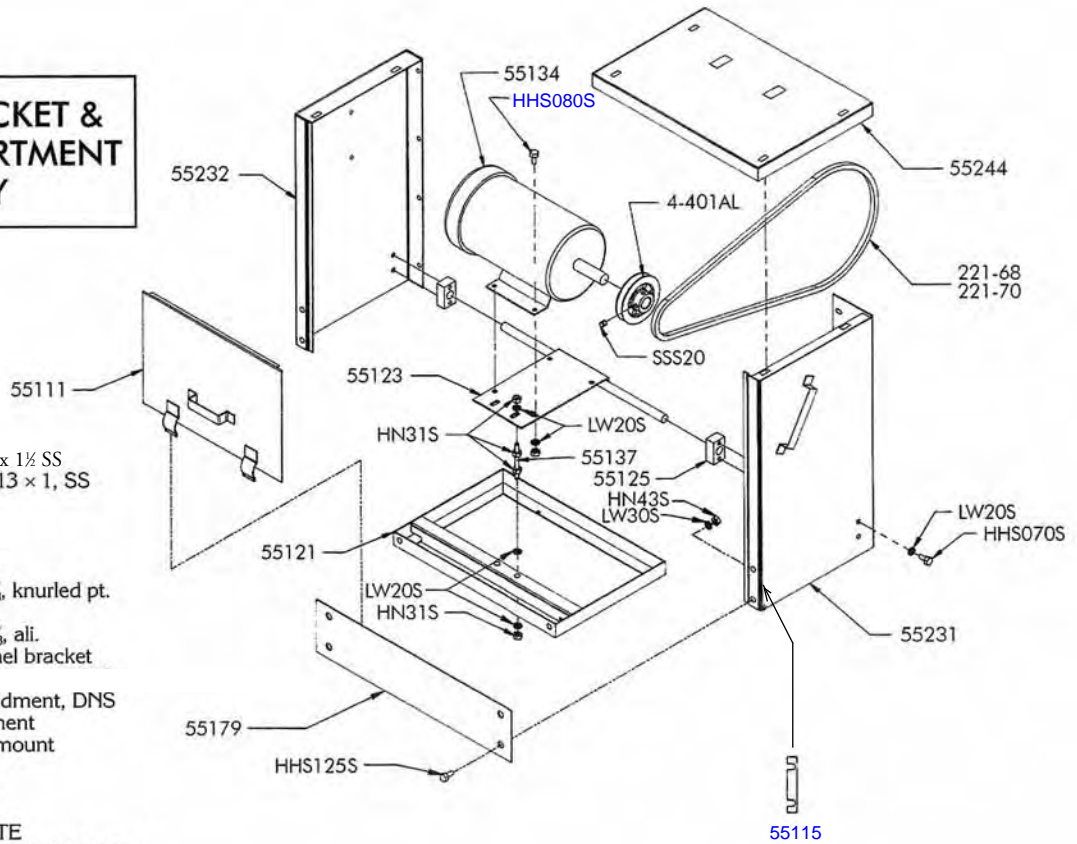
Item No.	Description
ATL415	Stationary bar assembly SS-TL
HHS025S	Hex head screw, $\frac{1}{4}$ -20 x $\frac{1}{2}$, SS
LW10S	Lock washer, $\frac{1}{4}$, SS
MC-10E	Cotter key, $\frac{1}{8}$ x 1
S268	Stationary bar headless screw, SS
TL177	True left nylon filler
TL415	Stationary bar, SS-TL
LH119	Saw guide in stationary bar
18212W	Platter rod
291-1	Cleaning unit fastener knob
55223	Left top platter - TL
55310	Right top platter - TL

Model 55 Schematic Using 3PH AEG W.T. Switch for 208-220/440 Volts, Three Phase, 60 Cycle, Baldor Motor, 5hp

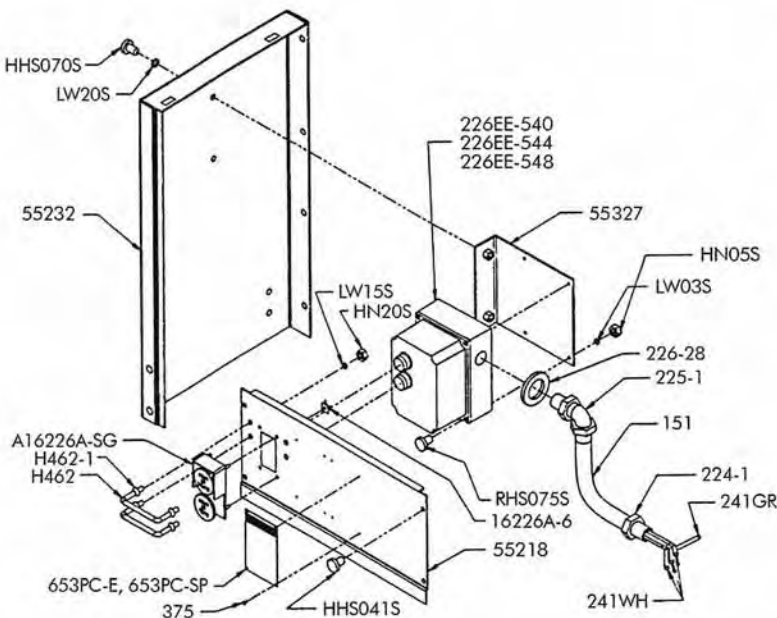


CHANNEL BRACKET & MOTOR COMPARTMENT ASSEMBLY

Item No.	Description
HHS080S	Hex head screw $\frac{3}{8}$ -16 x 1 $\frac{1}{2}$ SS
HHS125S	Hex head screw, $\frac{1}{2}$ -13 x 1, SS
HN31S	Hex nut, $\frac{3}{8}$ -16, SS
HN43S	Hex nut, $\frac{1}{2}$ -13, SS
LW20S	Lock washer, $\frac{3}{8}$, SS
LW30S	Lock washer, $\frac{1}{2}$, SS
SSS20	Set screw, $\frac{3}{8}$ -16 x $\frac{3}{8}$, knurled pt.
221-70	V-belt, 70"
4-401AL	Motor pulley, 5 x 1 $\frac{1}{8}$, ali.
55111	Front panel - channel bracket
55115	Front spacer
55121	Bottom support weldment, DNS
55123	Motor mount weldment
55125	Pivot block, motor mount
55134	Motor, Baldor 5HP, 208-230/460-60-3
55134-WEG	Motor, WEG 5HP, 208-230/460-60-3/TE
55134-575	Motor, Baldor 5HP, 575-60-3/TE
55137	Adjustment stud, motor mount
55179	Support, channel brkt. front panel
55231	Channel bracket, right side, TL
55232	Channel bracket, left side, TL
55244	Channel bracket, top - TL



CONTROL PANEL AND SWITCH ASSEMBLY

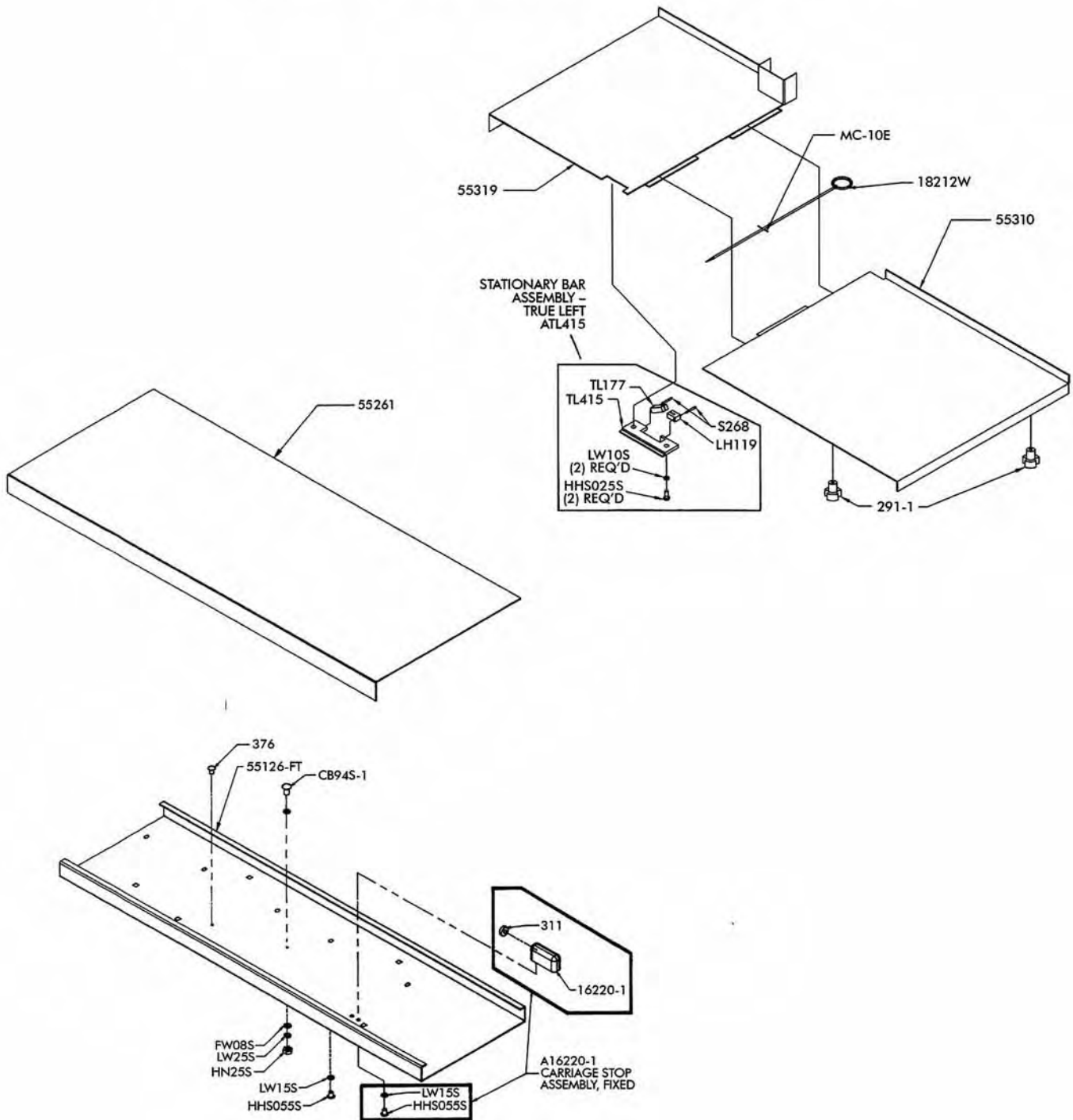


Item No.	Description
A16226A-SG	GR/RD palm button assembly
HHS041S	Hex head screw, $\frac{1}{4}$ -28 x $\frac{1}{2}$, SS
HHS070S	Hex head screw, $\frac{3}{8}$ -16 x 1, SS
HN05S	Hex nut, 8-32, SS
HN20S	Hex nut, $\frac{5}{16}$ -18, jam, SS
H462	Switch guard
H462-1	Switch guard ferrule
LW03S	Lock washer, #8, SS
LW15S	Lock washer, $\frac{5}{16}$, SS
LW20S	Lock washer, $\frac{3}{8}$, SS
RHS075S	Roundhead screw, 8-32 x $\frac{3}{4}$, SS
151	Watertight conduit x 15 $\frac{1}{2}$ "
16226A-6	Palm button speed nut
224-1	Conduit connector, straight, WT
225-1	Conduit connector, 90 deg., WT
226-28	Connector washer
226EE-540	Switch assembly, 5HP, 208/220-60-3
226EE-544	Switch assembly, 5HP, 440-60-3
226EE-548	Switch assembly, 5HP, 575-60-3
241GR	Green # 12 wire x 33 $\frac{1}{2}$ "
241WH	White # 12 wire x 33 $\frac{1}{2}$ "
375	Rivet
653PC-E	Warning label, English
653PC-SP	Warning label, Spanish
55133	Switch bracket before Serial No. 55059
55218	Control panel, true left
55231	Channel bracket, right side, TL
55232	Channel bracket, left side, TL
55327	Switch bracket starting with Serial No. 55059

NOT SHOWN

26EE-C011K	Contact, LS11K.10-C0, 208/220V
226EE-E0	Contact, LS05.10-E0, 440V
226EE-F0	Contact, LS05.10-F0, 575V
226EE-OL08L	Overload, B17S-M, (5.5-8)
226EE-OL18O	Overload, B17S-O, (14.5-18)

OPTIONAL TRUE LEFT FIXED TABLE AND PLATTER ASSEMBLY



Item No.	Description
FW08S	Flat washer, $\frac{3}{8}$, SS
HHS055S	Hex head screw, $\frac{5}{16}$ -18 x $\frac{3}{4}$, SS
HHS070S	Hex head screw, $\frac{3}{8}$ -16 x 1, SS
HN20S	Hex nut, $\frac{5}{16}$ -18, SS
HN25S	Hex nut, $\frac{3}{8}$ -16, SS
LW15S	Lock washer, $\frac{3}{16}$, SS
LW25S	Lock washer, $\frac{3}{8}$ heavy, SS
MC-10E	Cotter key, $\frac{1}{8}$ x 1
CB94S-1	Carriage bolt, flat head $\frac{3}{8}$ -16 x $1\frac{1}{2}$, SS

Item No.	Description
TP6S	Taper pin 6 x $\frac{3}{4}$, SS
16220-1	Fixed stop
311	Rubber bumper
376	Drive screw, #10 x $\frac{1}{2}$, SS
55126-FT	Channel, for fixed front table
18212W	Platter rod
55261	TL front stationary table assembly
55310	Right top platter assembly, TL
55319	Platter - left top fixed table

MODEL 55TL ITEM NUMBERS AND DESCRIPTIONS

ALWAYS ADVISE MODEL & SERIAL NUMBER WHEN ORDERING

Item No.	Description	Item No.	Description
AN15S	Acorn nut, 1/4-20, SS	14TP-1	Head door hinge pin, short
CB64S	Carriage bolt, 1/4-20 x 1 1/2, SS	14640	Wheel cleaner, rulon
FW05S	Flat washer, 1/4, SS	151	WT conduit
FW08S	Flat washer, 3/8, SS	16015-3	Motor base plate wing nut
FW10S	Flat washer, 5/16, SS	16155-13	Carriage stop angle, SS
FW15S	Flat washer, 1/2, SS	16159	Meat carriage bearing, SS
HHS003S	Hex head screw, 8-32 x 1/4, SS	16200	Movable carriage stop
HHS005S	Hex head screw, 8-32 x 5/8, SS	16220-1	Fixed carriage stop
HHS009S	Hex head screw, 10-24 x 1/4, SS	16226A-6	Palm button speed nut
HHS010S	Hex head screw, 10-32 x 3/8, SS	17211-22	Fingerlift shim, .022
HHS015S	Hex head screw, 10-32 x 7/8, SS	17211-35	Fingerlift shim, .035
HHS020S	Hex head screw, 1/4-20 x 3/8, SS	175S	Thumb guard
HHS025S	Hex head screw, 1/4-20 x 1/2, SS	175-1-S	Thumb guard nut, SS
HHS040S	Hex head screw, 1/4-20 x 3/4, SS	175-2-S	Thumb screw
HHS041S	Hex head screw, 1/4-28 x 1/2, SS	177	Nylon filler
HHS0481S	Hex head screw, 1/4-20 x 1 1/2, SS	179	Wheel cleaner
HHS055S	Hex head screw, 5/16-18 x 3/4, SS	18120EZ-B3	Guide bar, EZ flow
HHS058S	Hex head screw, 5/16-18 x 7/8, SS	18212W	Platter rod, RH platter top
HHS060S	Hex head screw, 5/16-18 x 1, SS	18230DL	Upper shaft seal, double lip
HHS070S	Hex head screw, 3/8-16 x 1, SS	18231DL	Lower shaft seal, double lip
HHS075S	Hex head screw, 3/8-16 x 1 1/4, SS	18247	Upper shaft
HHS085S	Hex head screw, 3/8-16 x 2, SS	18251AL	Upper v-belt pulley, 12.8 x 1 1/8, ali.
HHS110S	Hex head screw, 1/2-20 x 1, SS	18252	Upper shaft lock nut
HHS125S	Hex head screw, 1/2-13 x 1, SS	18300	Lower shaft woodruff key
HN05S	Hex nut, 8-32, SS	18360	Lower bearing housing
HN10S	Hex nut, 10-32, SS	18361	Lower shaft
HN15S	Hex nut, 1/4-20, SS	193	Saw guide bar spring
HN20S	Hex nut, 5/16-18, SS	194KS-1	Lock knob - 1/8"
HN25S	Hex nut, 3/8-16, SS	196	Tension spring
HN30S	Hex nut, 3/8-16 light jam, SS	211A-291Q	Fastener knob, 3/8-16, 4 point
HN31S	Hex nut, 3/8-16, SS	211D	Finger lift fastener stud
HN35S	Hex nut, 3/8-16 heavy jam, SS	211Q	Fastener knob, 5/16-18, 4 point
HN40S	Hex nut, 1/2-13 light jam, SS	22003-6	Lower wheel, 22", 6 spoke
HN43S	Hex nut 1/2-13 SS	22003U-6	Upper wheel, 22", 6 spoke
HN45S	Hex nut, 1/2-20, SS	221-68	V-belt, 68"
HN49	Hex nut, 5/8-11, plated	221-70	V-belt, 70"
HN55S	Hex nut, 5/8-18 jam, SS	224-1	Conduit connector, straight, WT
H462	Switch guard	225-1	Conduit connector, 90 deg., WT
H642-1	Switch guard ferrule	226-28	Connector washer
LH119	Saw guide in stationary bar - TL	226EE-C011K	Contact, LS11K.10-C0, 208/220V
LH211	Finger lift - TL	226EE-E0	Contact, LS05.10-E0, 440V
LW05S	Lock washer, #10, SS	226EE-OL08L	Overload, B17S-M, (5.5-8)
LW10S	Lock washer, 1/4, SS	226EE-OL18O	Overload, B17S-O, (14.5-18)
LW15S	Lock washer, 5/16, SS	226EE-540	Magnetic starter, 5HP, 208/220-60-3
LW20S	Lock washer, 3/8, SS	226EE-544	Magnetic starter, 5HP, 440-60-3
LW25S	Lock washer, 3/8 heavy, SS	226EE-548	Switch assembly, 5HP, 575-60-3
LW30S	Lock washer, 1/2, SS	234	Grease fitting
LW35S	Lock washer, 5/8, SS	237	Upper shaft castellated lock nut
MC-10E	Cotter pin, 1/8 x 1, SS	238	Upper shaft castellated lock washer
RHS075S	Round head screw, 8-32 x 3/4, SS	241GR	Green wire, 12 ga.
RHS10S	Round head screw, 10-32 x 3/4, SS	241WH	White wire, 12 ga.
RHS30S	Round head screw, 1/4-20 x 7/8, SS	247A	Upper shaft bearing spacer washer
SSS04S	Set screw, 10-24 x 1/4, cone point, SS	249	Door lock handle
SSS05S	Set screw, 10-24 x 3/8, cup point, SS	252X	Shaft lock nut
SSS20	Set screw, 3/8-16 x 3/8, knurled cup point, SS	275THS	Truss head screw, 1/4-20 x 3/8
S155EZ-1	Weld stud, 1/4-20 x 3/8, SS	275THS-1	Truss head screw, 1/4-20 x 1
S155EZ-2	Weld stud, 3/8-16 x 1/2, SS	296-800H	Pushbutton switch bracket
S155EZ-3	Hex stand-off	310	Waved washer
S18253	Upper wheel aligning screw, SS	311	Rubber bumper
S200B1	Stop stud, SS	311-1	Rubber bumper
S235	Taper pin, 4 x 3/4, SS	360A1	Grease fitting
S244	Wheel cleaner arm shoulder bolt, SS	360B-2	Set screw, 1/2-13 x 3/4, flat point
S262	Meat gauge release handle, SS	362	Bearing adjusting cap
S265	Meat gauge release spring, SS	36-239LN	Locknut, 1 1/4-12, SS
S268	Stationary bar headless screw, SS	36-239L-10A	Solid leg, 10", SS
S325	Wheel cleaner washer, SS	36-242R	Base door lock
CB94S-1	Carriage bolt flat head 3/8-16 x 1 1/2, SS	375	Drive screw
TL229	Wheel cleaner arm spring, SS - TL	376	Drive screw, #10 x 1 1/2, SS
TL290-11F	Lower cleaning unit weldment - TL	4-401AL	Motor pulley, 5 x 1 1/8, ali
TL295	Wheel cleaner arm, SS - TL	50655	Switch guard
TL415	Stationary bar, SS - TL	512	Upper wheel hub gasket
TP4S	Taper pin, 4 x 3/4, SS	531	Retaining ring
TP6S	Taper pin, 6 x 3/4, SS	55102	Basefoot outrigger angle, rear, 30"
VT460S	Model & S/N plate	55105	Left panel w/handle
112-212	Waved washer	55106	Scrap bucket
116RS	Saw guide bar spacer block	55121	Bottom support weldment, DNS
131	Saw cleaner, SS	55123	Motor mount weldment
14TH	Head door hinge, welded	55125	Pivot block, motor mount
14TP	Head door hinge pin, long	55126	Channel, EZ flow

MODEL 55TL ITEM NUMBERS AND DESCRIPTIONS (Cont.)

Item No.	Description	Item No.	Description
55126-FT	Channel, fixed front table	55229	Head weldment – TL
55127	Meat carriage angle, EZ flow	55230	Head door – TL
55133	Switch bracket before Serial No. 55059	55231	Channel bracket, right side – TL
55134	Motor, Baldor 5HP, 208-220/440-60-3	55232	Channel bracket, left side – TL
55134-WEG	Motor, WEG 5HP, 208-230/460-60-3/TE	55244	Channel bracket, top – TL
55134-575	Motor, Baldor 5HP, 575-60-3/TE	55247	Saw guard on saw guide bar w/708 decal – TL
55137	Adjustment stud, motor mount	55261	Front stationary table assembly – TL
55138	Upper wheel hinge bracket	55288	Rear blade cleaning unit – TL
55168	Thread, head column	55290	Platter bracket
55170	Blade tension cap gauge	55302HT	Saw blade, 164- ¹ / ₂ x ³ / ₄ X .022 HT, 3TPI
55171	Blade tension adjustment housing	55310	Right top platter – TL
55172	Blade tension screw	55312	O-ring for tension cap gauge
55173	Blade tension adjustment handle	55313	Plastic washer – tension screw
55179	Support, channel bracket front panel	55314	O-ring – plastic washer
55180	Carriage stop	55319	Platter – left top fixed table – TL
55181	Base foot outrigger, front	55327	Switch bracket starting with Serial No. 55059
55184	O-Ring, blade tension screw	601	Upper saw guide bracket
55189-1	Saw guide bar, 32"	602B	Upper blade back-up guide, carbide
55190-1	Reinforcement bar, 30"	605	Lower blade back-up
55215-1	Base frame assembly – TL	653PC-E	Warning label, English
55217	Base door, hinged – TL	653PC-F	Warning label, French
55218	Control panel, channel bracket – TL	653PC-SP	Warning label, Spanish
55220	Motor mount support	671	Wall poster
55222	Meat carriage top only – TL	708	Decal "DANGER EXPOSED BLADE"
55223	Platter – left top – TL	800H-2HA4	WT start/stop station, SS
55225	Upper wheel hinge plate – TL		

ASSEMBLIES FOR MODEL 55TL

Item No.	Description	Item No.	Description
ATL16112	Head door latch assembly – TL	55192	Blade tension assembly
ATL290-11F	Front cleaning unit assembly – TL	55193	Hinge bracket assembly, upper wheel
ATL295	Wheel cleaner assembly – TL	55196	Upper wheel assembly w/o hinge plate
ATL415	Stationary bar assembly – TL	55223	Left top platter assembly – TL
A16200	Carriage stop assembly, movable	55230	Head door assembly – TL
A16220-1	Carriage stop assembly, fixed	55239	Meat carriage assembly, EZ flow – TL
A16226A-SG	Palm button assembly	55261	Opt. fixed table assembly – TL
A175S	Thumb guard assembly	55289	Rear cleaning unit assembly – TL
A18227	Bearing cup/cone assembly	55321	Upper wheel assembly w/hinge plate – TL
A18247	Upper shaft & bearing assembly	55322	Upper hinge plate assembly – TL
A18360	Lower bearing housing assembly w/o wheel	55323	Finger lift assembly, removable – TL
A602	Upper guide assembly	55325	Saw guide bar assembly, double – TL
55186	Channel assembly, EZ flow		

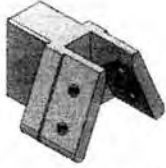
**WEARABLE SAW PARTS THAT WILL FIT BIRO POWER CUTTERS
MODELS**

11-22-1433-33-34-3334-44-4436-55-55TL

— EXCEPT WHERE NOTED OTHERWISE —

**CONTACT YOUR NEAREST BIRO AUTHORIZED DISTRIBUTOR
OR CONTACT BIRO MANUFACTURING**

Ph. 419-798-4451 E-Mail: service@birosaw.com



**Item No. 130
SAW CLEANER BRACKET
ALL SAWS**



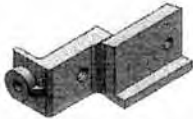
**Item No. 131
STEEL BLADE CLEANER
ALL SAWS**



**Item No. 159
CARRIAGE BEARING
11-22-33**



**Item No. 16159
CARRIAGE BEARING
1433-34-3334-44-55**



**Item No. 601
UPPER SAW GUIDE BRACKET
ALL SAWS**



**Item No. 602B
UPPER SAW GUIDE
W/BEVELED CARBIDE
ALL SAWS**



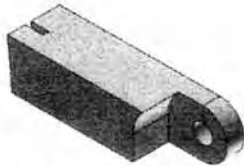
**Item No. S265
MEAT GAUGE SPRING
ALL SAWS**



**Item No. S608
LOWER BLADE BACKUP
W/CARBIDE
22 (after S/N 35301)-1433-55**



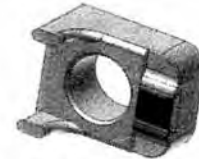
**Item No. 119A
LOWER SAW GUIDE
ALL SAWS**



**Item No. 177
NYLON FILLER
ALL SAWS**



**Item No. 604
LOWER BLADE BACKUP
W/CARBIDE
11-22 (before S/N 35300)**



**Item No. 605
LOWER BLADE BACKUP
W/CARBIDE
34-3334-44-4436**



**Item No. S295
WHEEL CLEANER ARM
ALL SAWS**



**Item No. 179
WHEEL CLEANER
ALL SAWS**



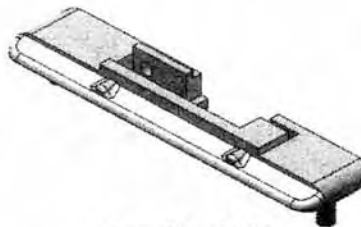
**Item No. S244
WHEEL CLEANER ARM STUD
ALL SAWS**



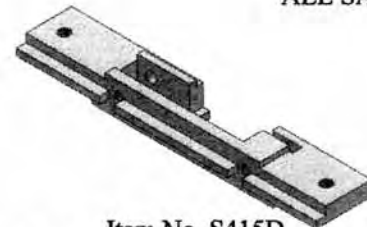
**Item No. S229
WHEEL CLEANER
ARM SPRING
ALL SAWS**



**Item No. S268
FILLER & GUIDE STUD
ALL SAWS**



**Item No. 415D
STATIONARY BAR
ALL SAWS**



**Item No. S415D
STAINLESS STATIONARY BAR
STD: 22 (after S/N 35301)-1433-55
OPT: 3334-44**

- USE PARTS REPAIR KIT PART NO. 16700 -

LIMITED WARRANTY:

WARRANTY: The BIRO Manufacturing Company warrants that Model 55TL Power Meat Saw will be free from defects in material and workmanship under normal use and with recommended service. BIRO will replace defective parts, which are covered by this limited warranty, provided that the defective parts are authorized for return, shipping charges prepaid, to a designated factory for inspection and/or testing.

DURATION OF WARRANTY: The warranty period for all parts covered by this limited warranty is eighteen (18) months from Inspection/Demonstration as advised on the returned Warranty Registration card, or two (2) years from original factory ship date, whichever occurs first, except as noted.

PARTS NOT COVERED BY WARRANTY: The following are **not** covered by this limited warranty: steel cleaners, item number 131; wheel cleaners, item number 179; steel guide, item number LH119; upper saw guide, item number 602B; lower back guide, item number 605; nylon filler, item number TL177. This limited warranty does not apply to machines sold as used, rebuilt, modified, or altered from the original construction in which the machine was shipped from the factory. (WATER CONTAMINATED ELECTRICAL SYSTEMS ARE NOT COVERED UNDER THIS LIMITED WARRANTY.) BIRO is not responsible for electrical connection of equipment, adjustments to switch controls or any other electrical requirements, which must be performed only by a certified electrician. BIRO is not responsible for service charges or labor required to replace any part covered by this limited warranty or for any damages resulting from misuse, abuse, lack of proper or recommended service.

EXCLUSION OF WARRANTIES AND LIMITATION OF REMEDIES: BIRO gives no warranties other than those expressly stated in this limited warranty. THE IMPLIED WARRANTY OF MERCHANTABILITY, THE IMPLIED WARRANTY OF FITNESS FOR PROCESSING OF FOOD PRODUCTS, AND ALL OTHER IMPLIED WARRANTIES ARE SPECIFICALLY EXCLUDED. BIRO IS NOT LIABLE FOR CONSEQUENTIAL OR INCIDENTAL DAMAGES, EXPENSES, OR LOSSES. THE REMEDIES PROVIDED IN THIS BIRO LIMITED WARRANTY ARE PURCHASER'S SOLE AND EXCLUSIVE REMEDIES AGAINST BIRO.

REGISTRATION CARDS: You must sign, date and complete the warranty registration card supplied with each machine. The warranty card must be returned to The Biro Manufacturing Company for proper registration. If no warranty card is returned to BIRO, the warranty period will begin from the date the machine was originally shipped from the factory.

HOW TO GET SERVICE:

1. Contact the agency from whom you purchased the machine.
2. Consult the yellow pages of the phone directory for the nearest authorized dealer.
3. Contact BIRO Mfg. Co. for the authorized service entity (250 plus worldwide) in your area.

THE BIRO MANUFACTURING COMPANY

1114 Main Street
Marblehead, Ohio 43440-2099
Ph. 419-798-4451
Fax 419-798-9106
E-mail: service@birosaw.com
Web: <http://www.birosaw.com>