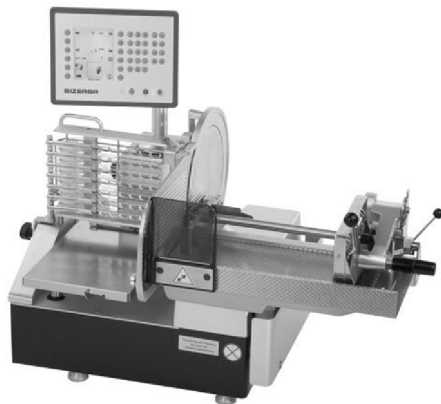
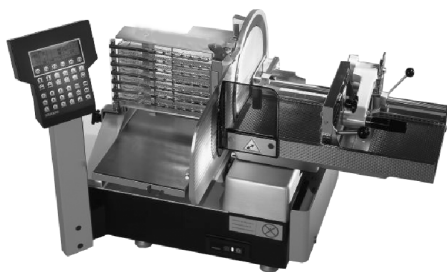


# Automatic slicer

## A 400 / A 400 FB

**4**



Series (code No.) <b>90.077</b>	Spare parts list No. <b>054.98.3.1013</b>	<b>A 400 / A 400 FB</b>
------------------------------------	--	-------------------------

# Automatic slicer

## A 400 / A 400 FB

Content of drawings	Page of drawing
Basic parts and motors .....	1
Carriage 200 mm .....	17
Carriage 400 mm .....	20
Carriage 600 mm .....	23
Carriage: -Feed spindle .....	28
Carriage: -Product holder .....	29
Carriage: -Carriage plate .....	33
Carriage: -Product holder + product guide .....	34
Special carriage for salmon .....	45
Drive table .....	48
Drive conveyor belt .....	51
Drive: -Carriage guide .....	55
Drive: -Mounting plate .....	56
Drive: -Intermediate bearing .....	57
Drive: -Transducer .....	58
Drive: -Clamping plate .....	59
Drive: -Lifting tube .....	60
Drive: -Magnet holder .....	61
Drive: -Cable support .....	62
Drive: -Table moving system .....	63
Drive: -Motor plate .....	65
Drive: -Switch .....	68

<b>A 400 / A 400 FB</b>	Spare parts list No. <b>054.98.3.1013</b>	Series (code No.) <b>90.077</b>
-------------------------	--	------------------------------------

Depositing table .....	69
Conveyor belt with netting ribbon .....	70
Conveyor belt: -Light barrier .....	94
Conveyor belt with belt .....	95
Chain frame + shaving deflector .....	101
Display tableau .....	106
Depositing arm .....	112
Depositing arm drive .....	114
Grinding device .....	119
Bench .....	121
Electronics .....	123
Circuit additional FRA + ITA .....	130
Accessories and plates .....	131
Last page of drawings .....	134

**12-2** Rimmed drawing position numbers mark the assemblies of spare parts. The spare parts, which may be ordered, are marked in a detailed way elsewhere in the spare parts list.

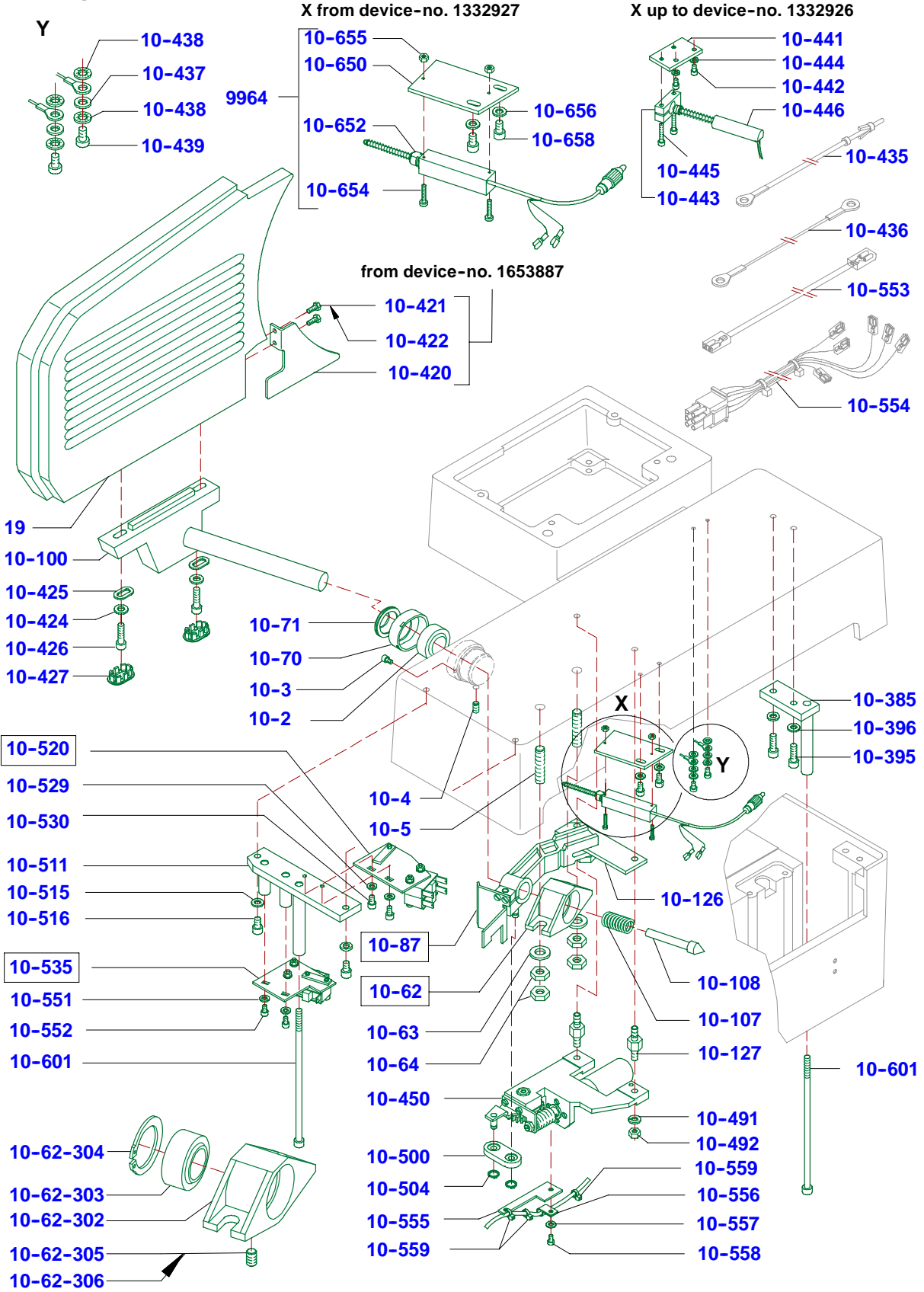
## 4

The spare parts marked with „Q” are important for the verification, i. e. at the assembly of these parts the verification seal is destroyed. These parts can be purchased only at authorized Bizerba representations.

On the image and text section spear and wear parts are highlighted with (V).

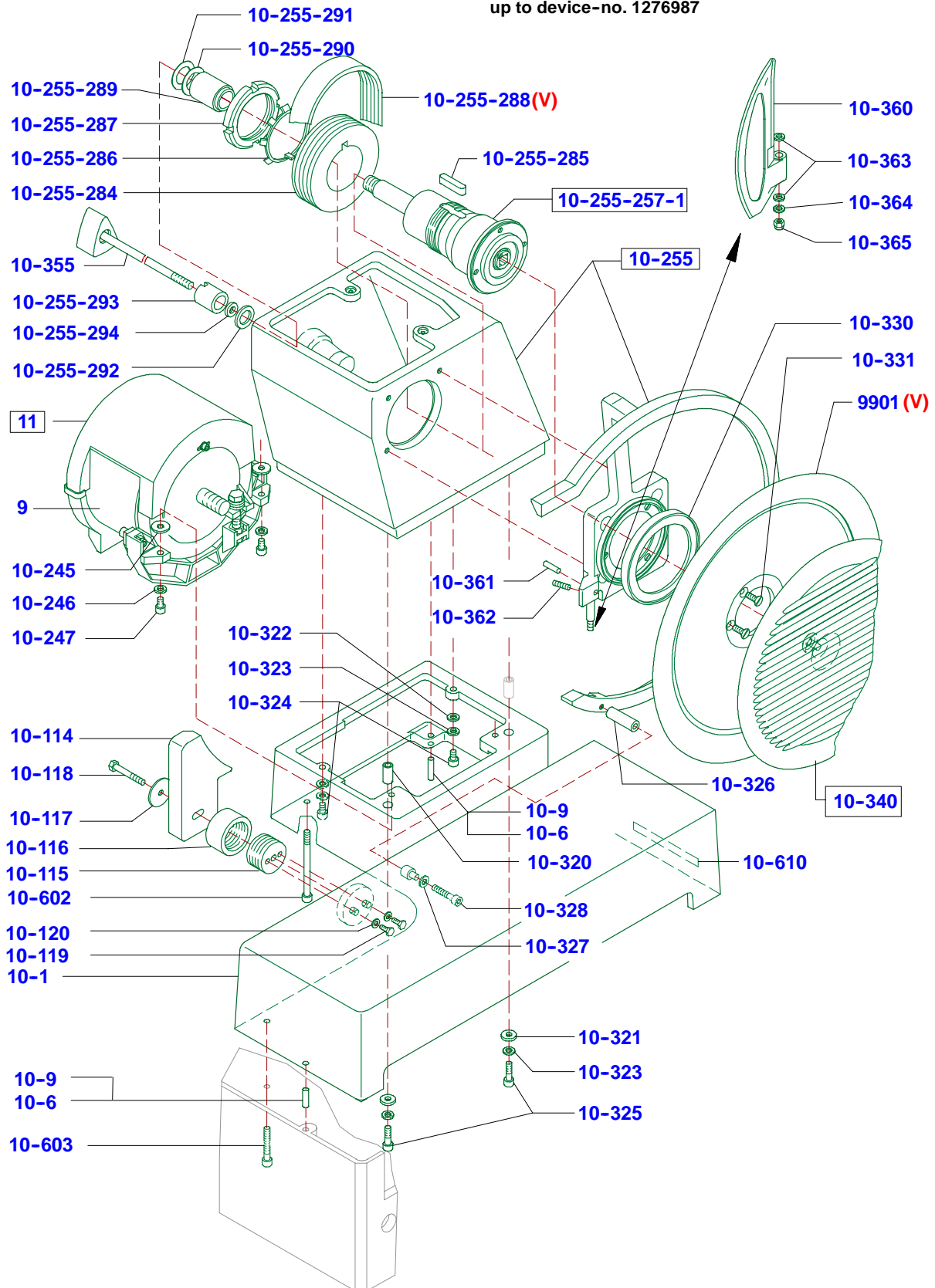
**The content of the parts number list is located before the text pages in the rear part of the spare parts list.**

### Basic parts and motors



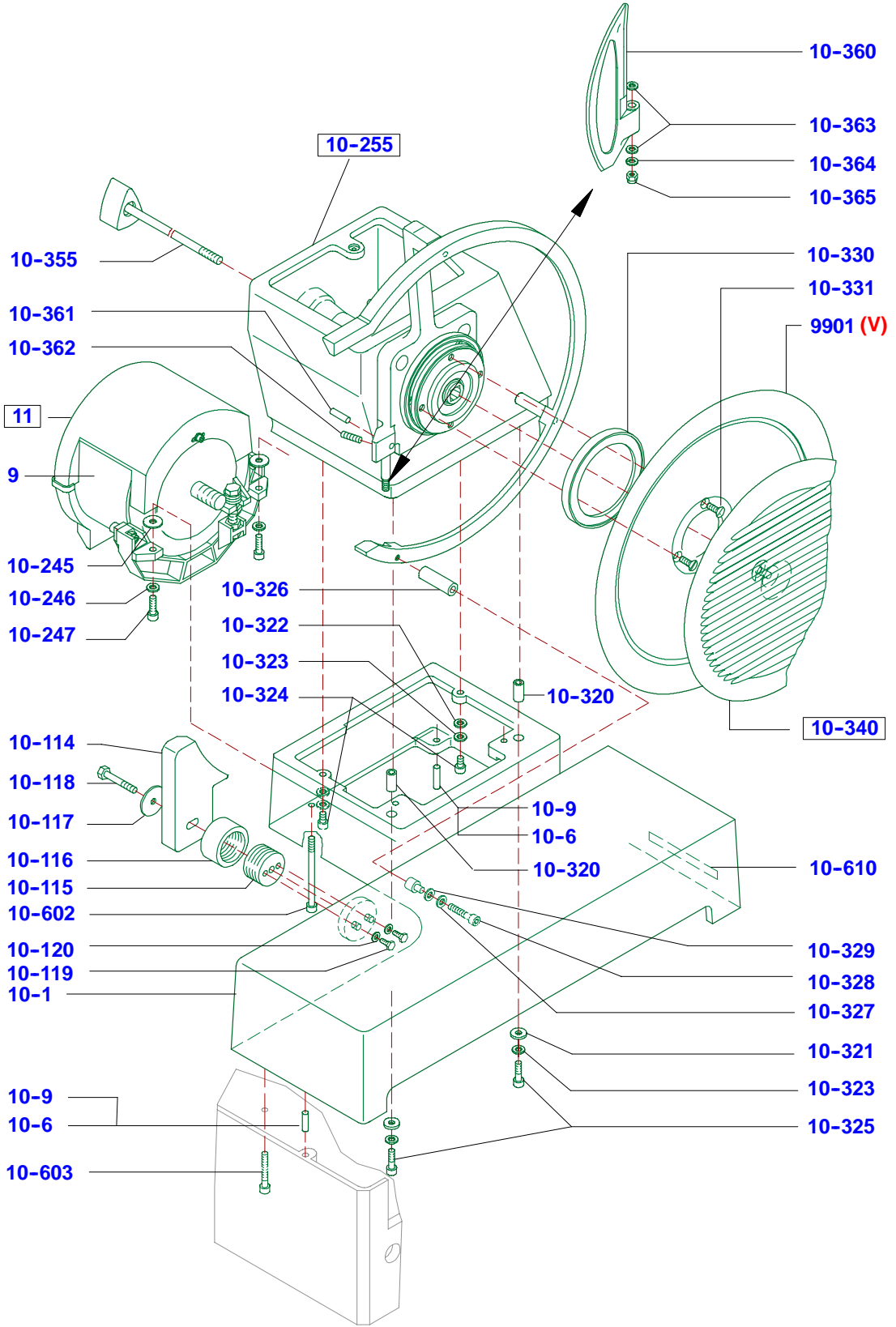
### Basic parts and motors

up to device-no. 1276987



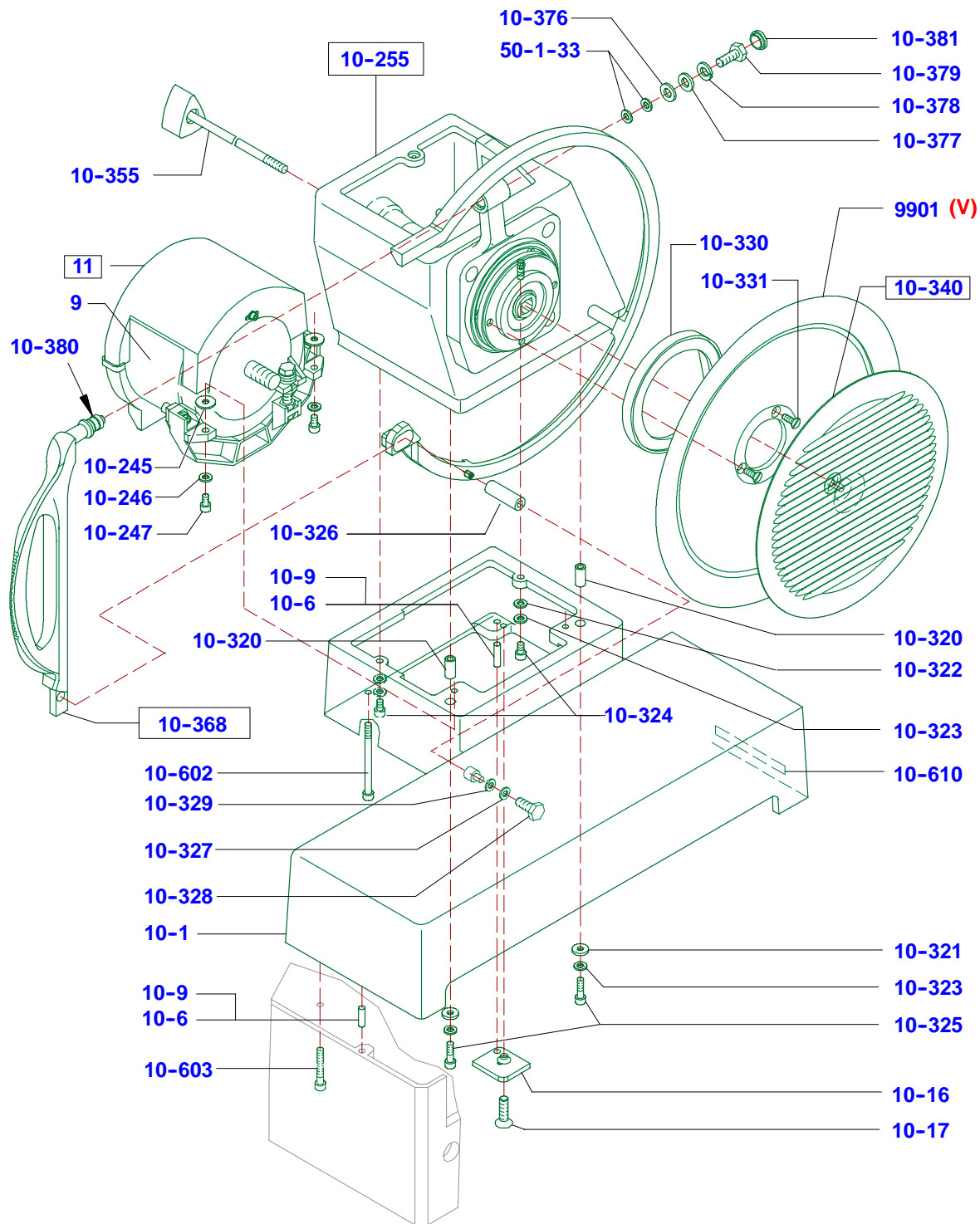
4

**Basic parts and motors**  
device-no. 1276988 - 1332926



### Basic parts and motors

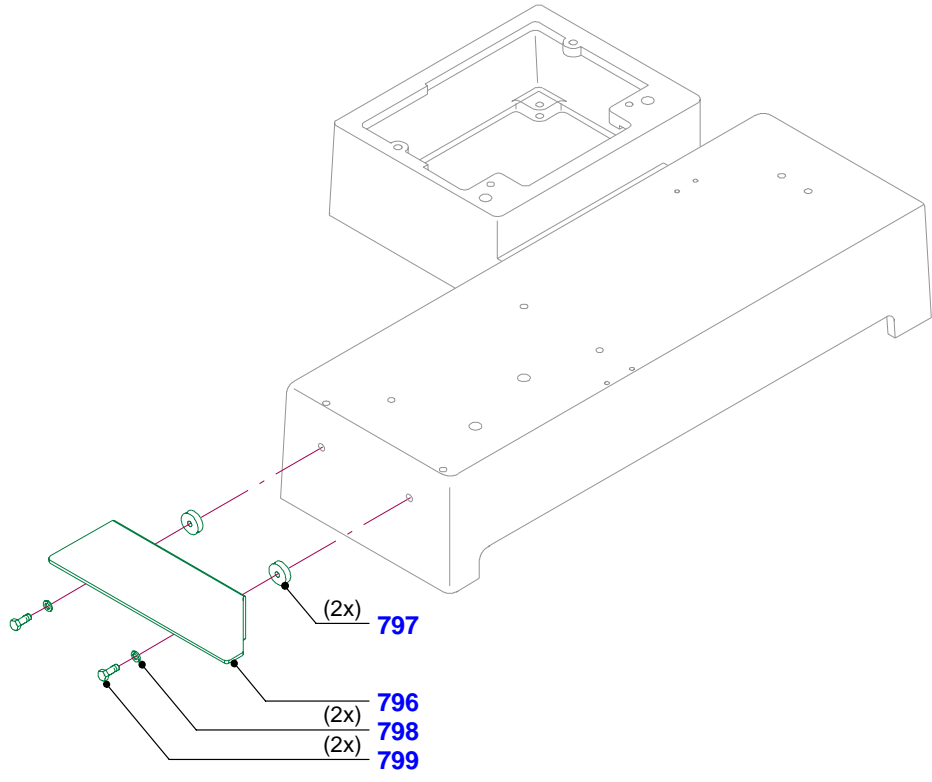
from device-no. 1332927



4

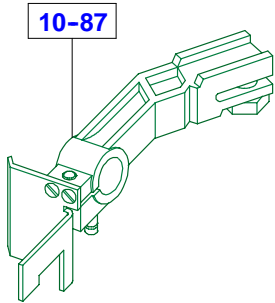
Series (code No.) <b>90.077</b>	Spare parts list No. <b>054.98.3.1013</b>	<b>A 400 / A 400 FB</b>	Page of drawing <b>5</b>
------------------------------------	--	-------------------------	-----------------------------

**Basic parts and motors**  
supplement with version Multivac

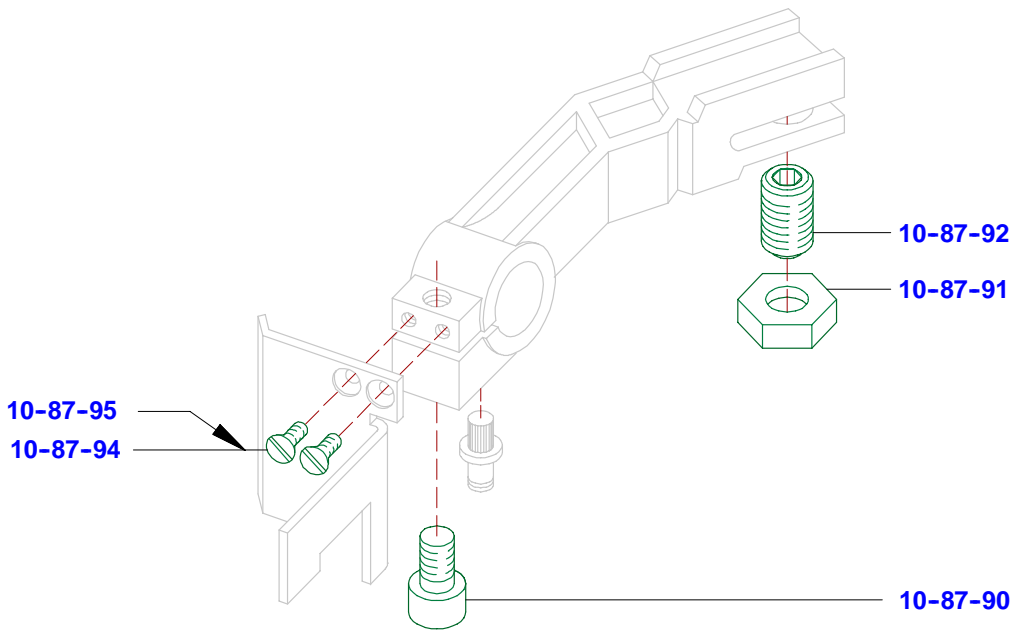


Page of drawing <b>6</b>	<b>A 400 / A 400 FB</b>	Spare parts list No. <b>054.98.3.1013</b>	Series (code No.) <b>90.077</b>
-----------------------------	-------------------------	--	------------------------------------

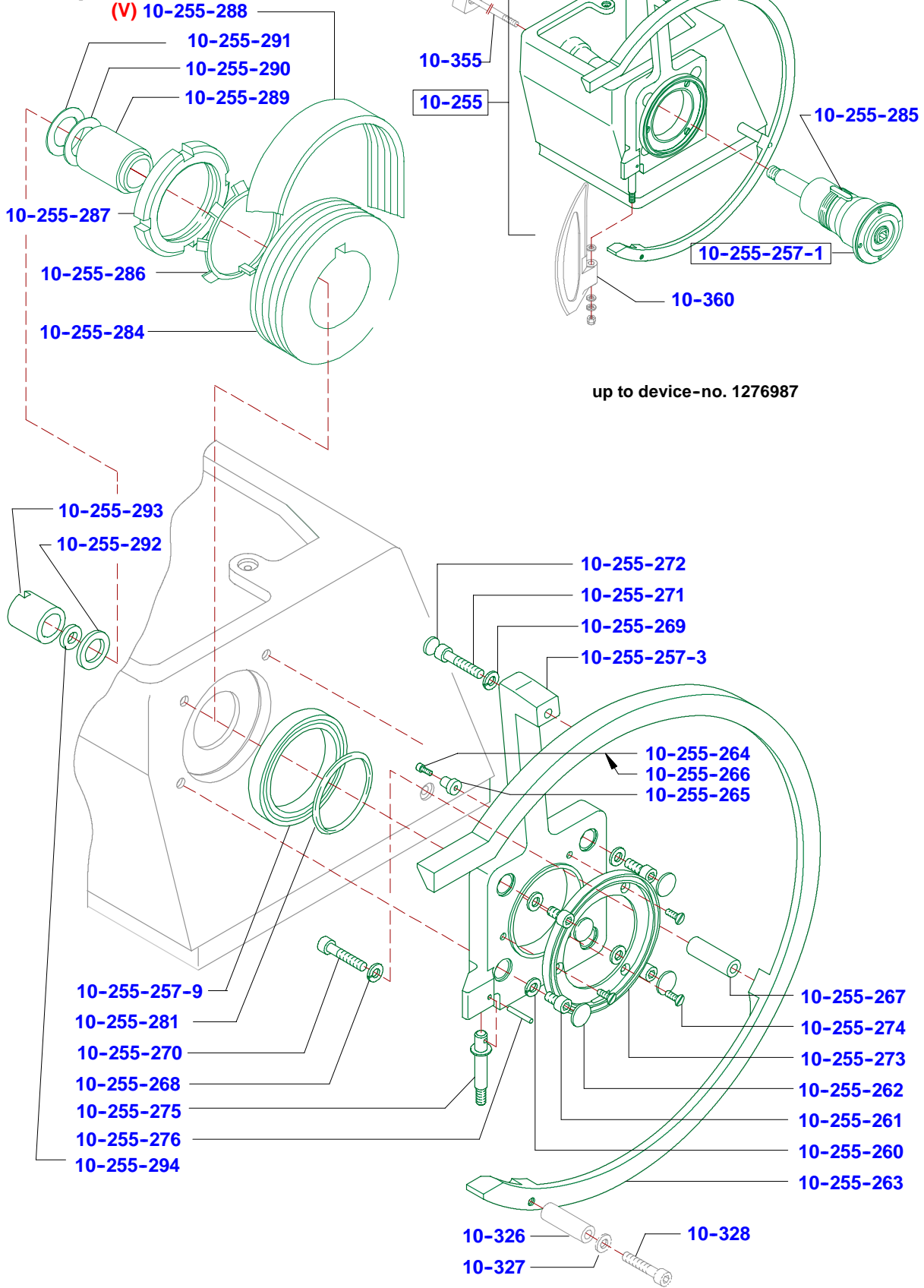
**Basic parts and motors**



**4**

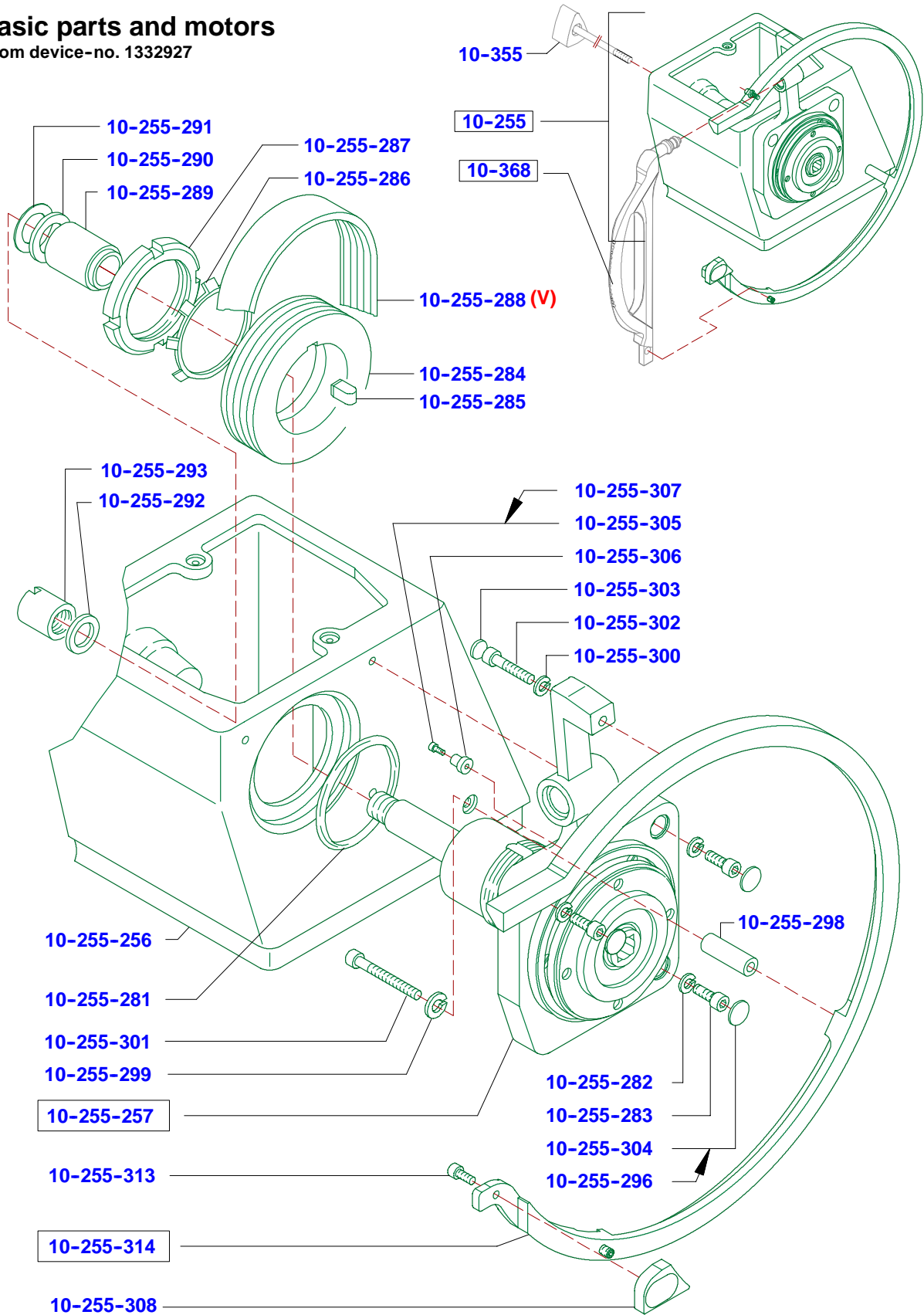


**Basic parts and motors**





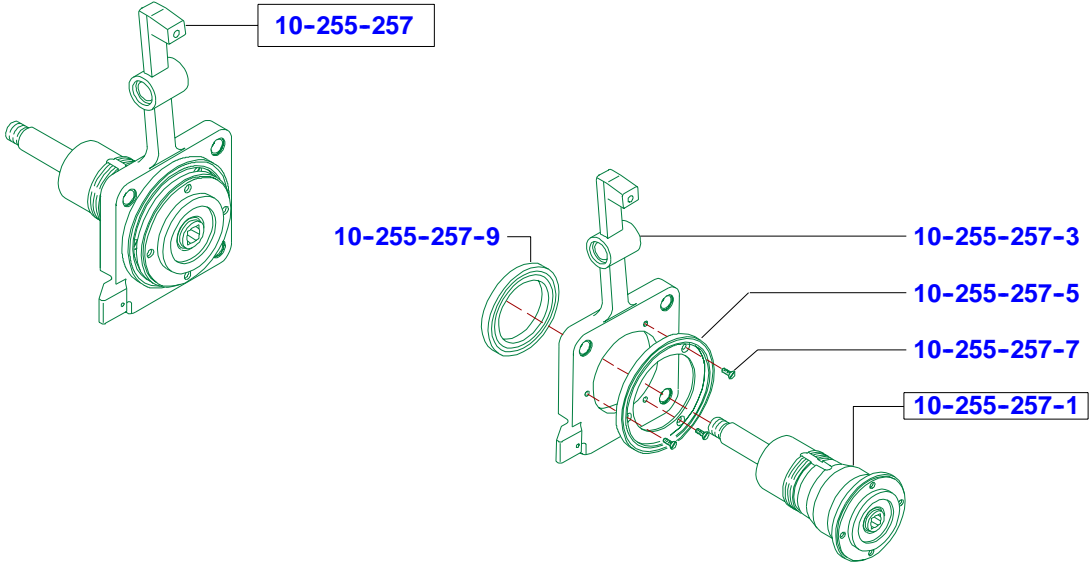
**Basic parts and motors**  
from device-no. 1332927



Page of drawing <b>10</b>	<b>A 400 / A 400 FB</b>	Spare parts list No. <b>054.98.3.1013</b>	Series (code No.) <b>90.077</b>
------------------------------	-------------------------	--	------------------------------------

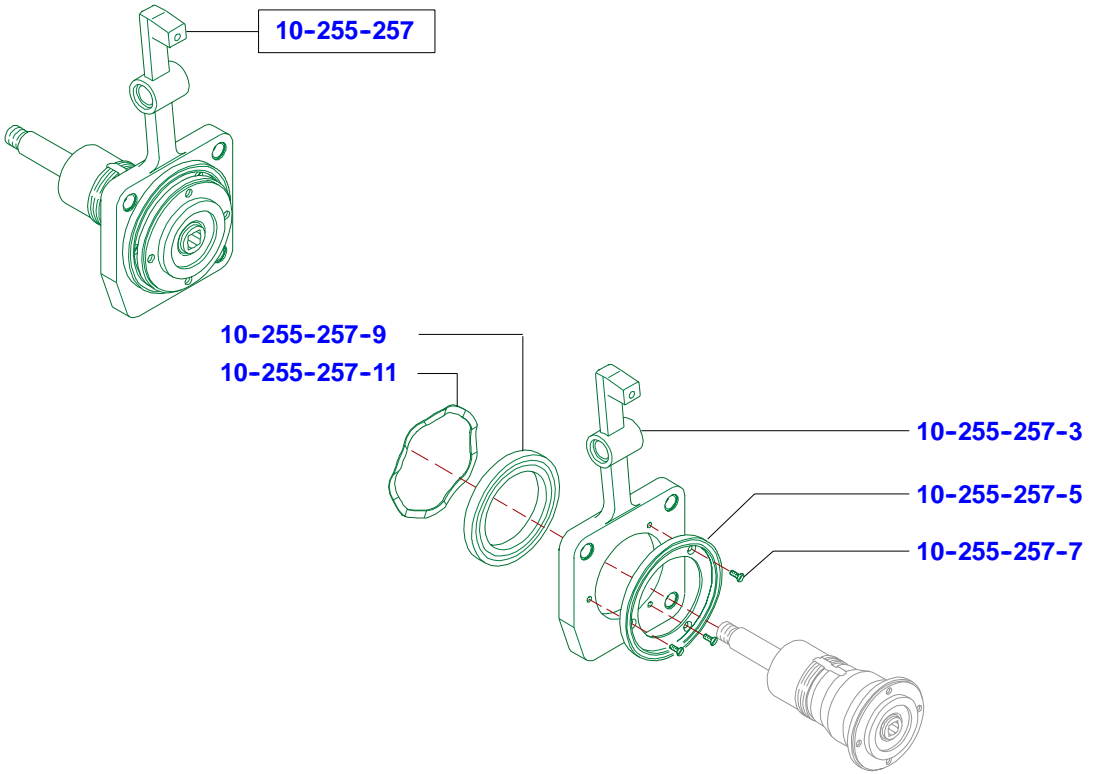
**Basic parts and motors**

device-no. 1276988 - 1332926



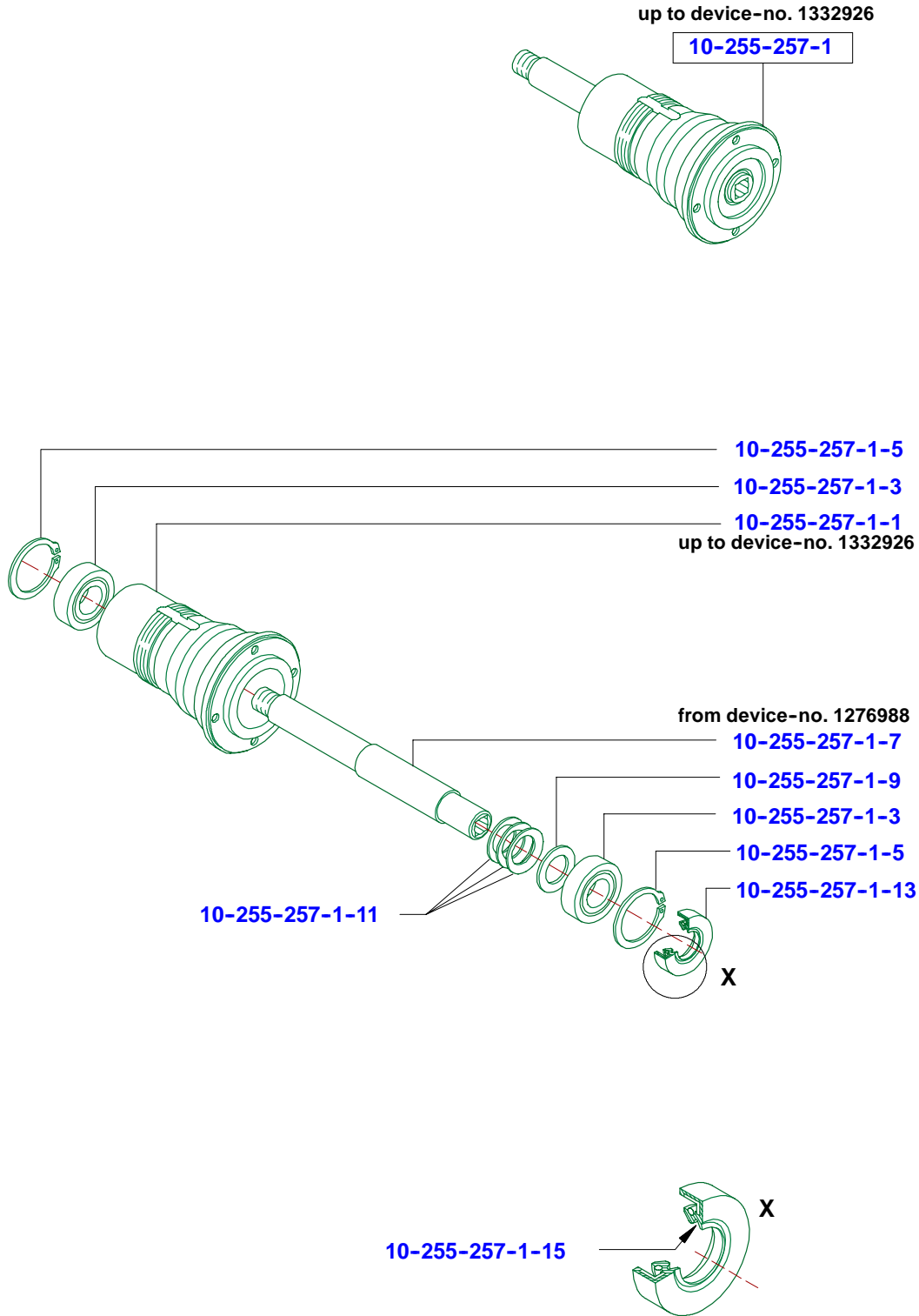
from device-no. 1332927

**4**

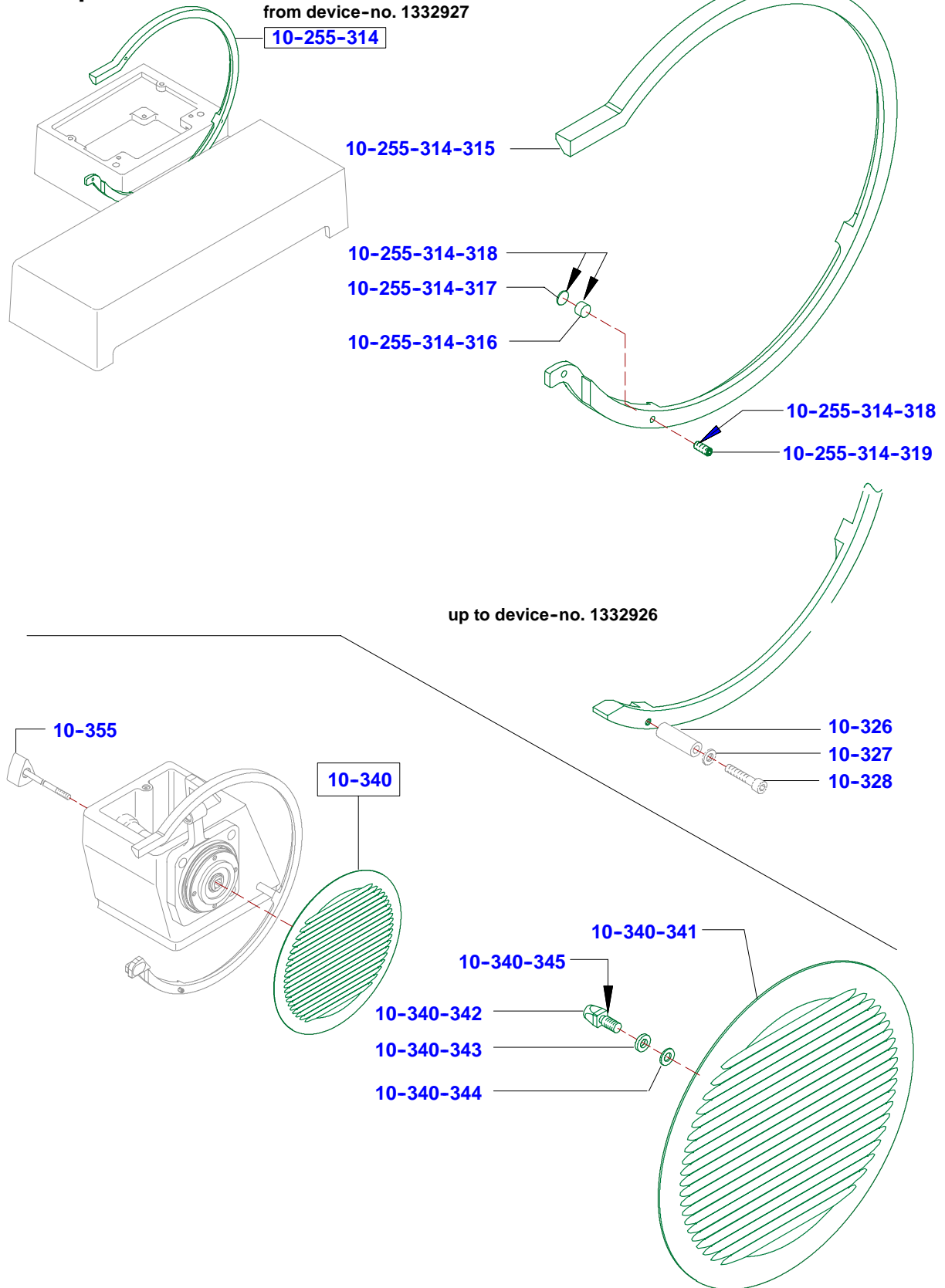


Series (code No.) <b>90.077</b>	Spare parts list No. <b>054.98.3.1013</b>	<b>A 400 / A 400 FB</b>	Page of drawing <b>11</b>
------------------------------------	--	-------------------------	------------------------------

## Basic parts and motors

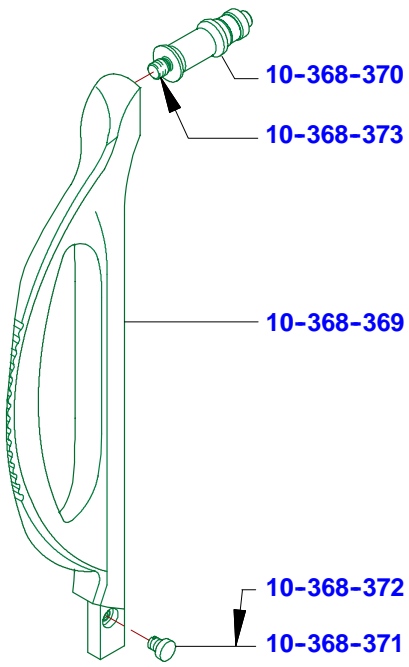
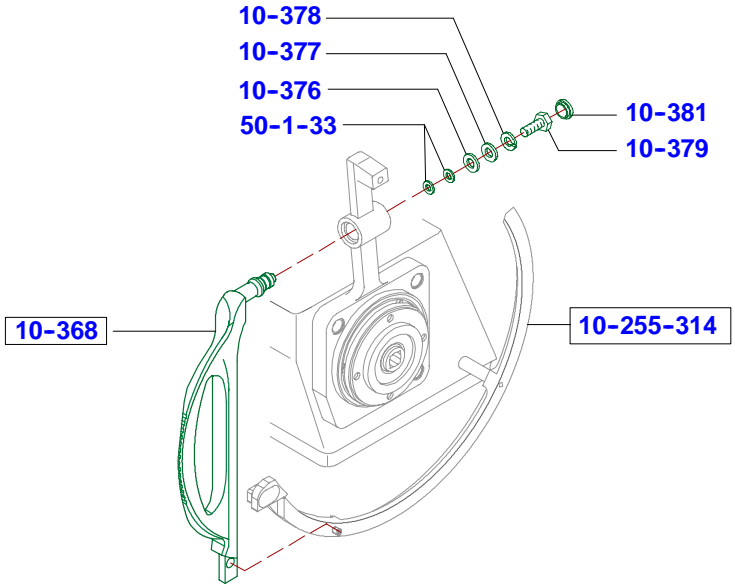


### Basic parts and motors

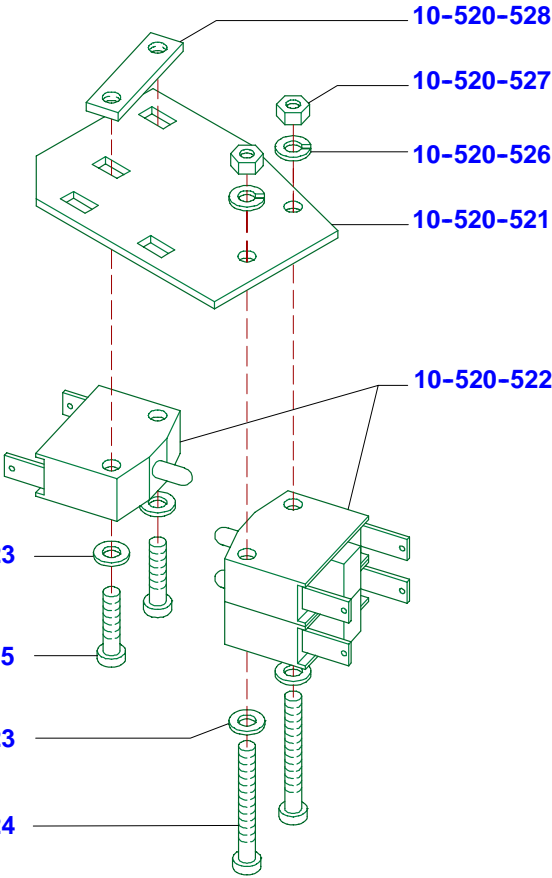
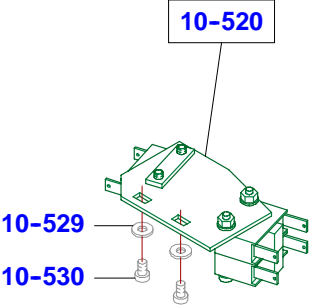


4

**Basic parts and motors**  
from device-no. 1332927

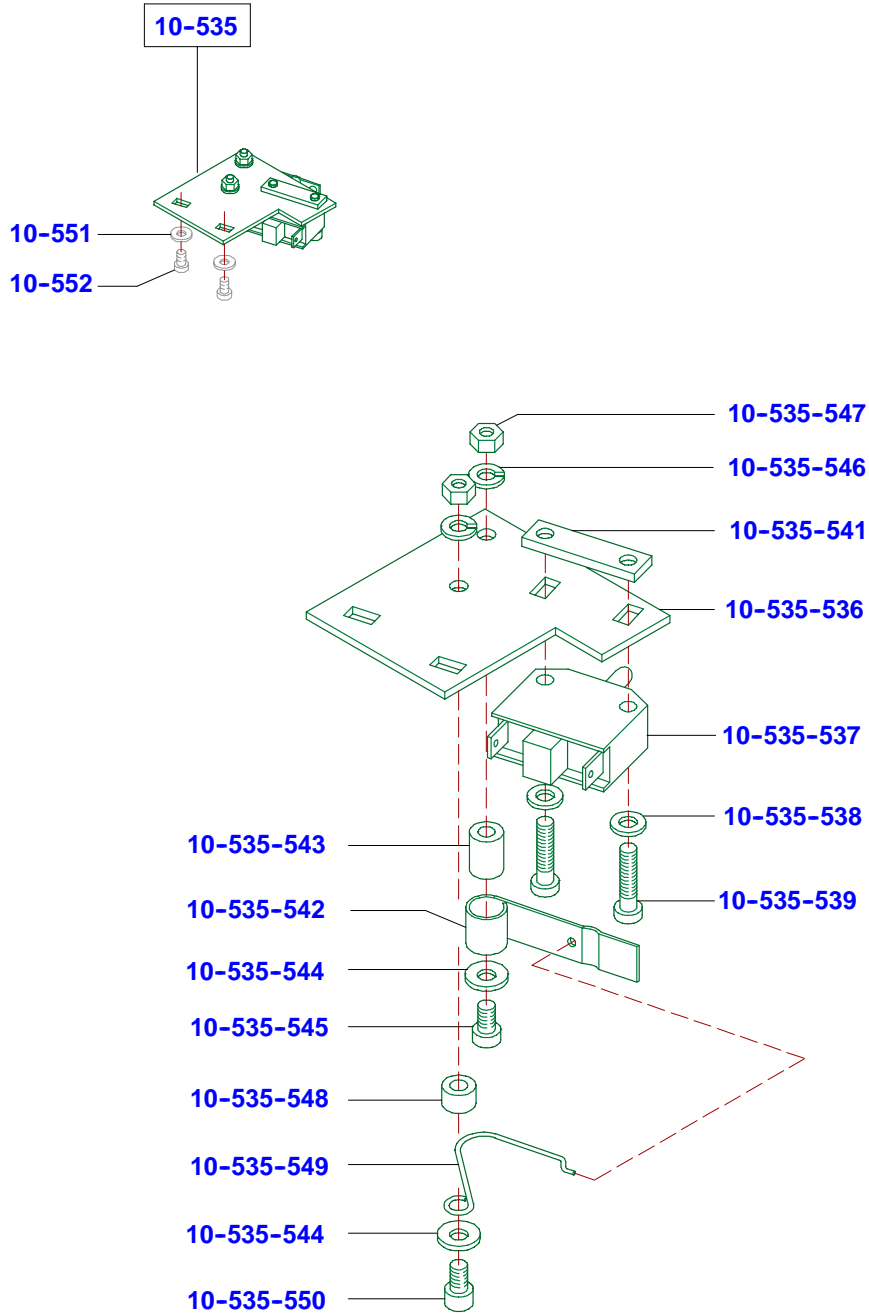


**Basic parts and motors**

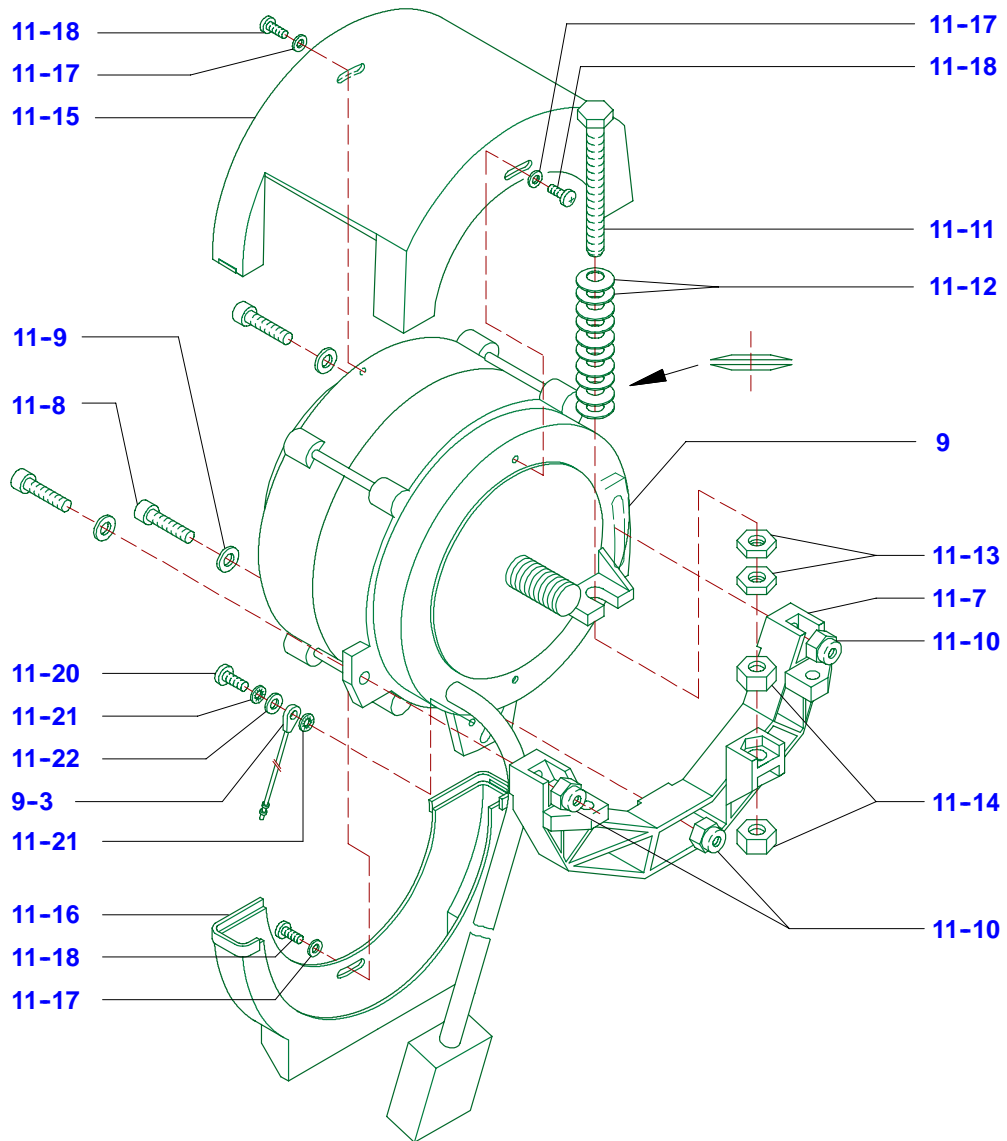
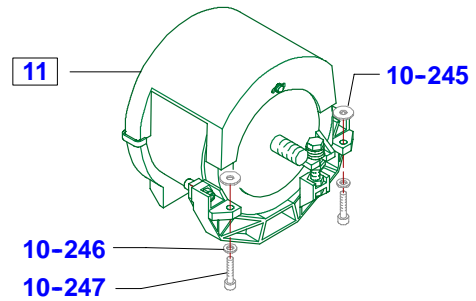


**4**

## Basic parts and motors

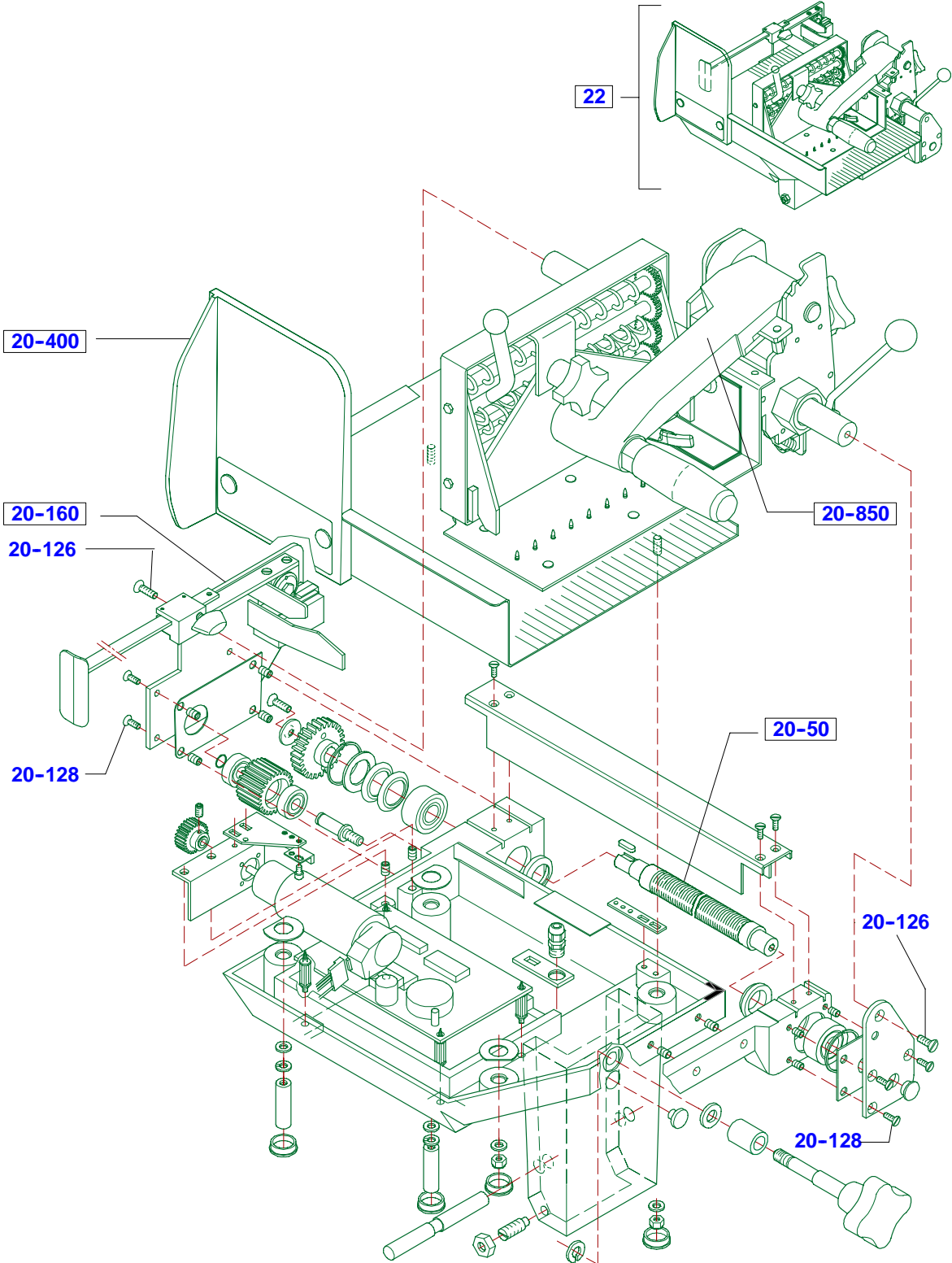


### Basic parts and motors

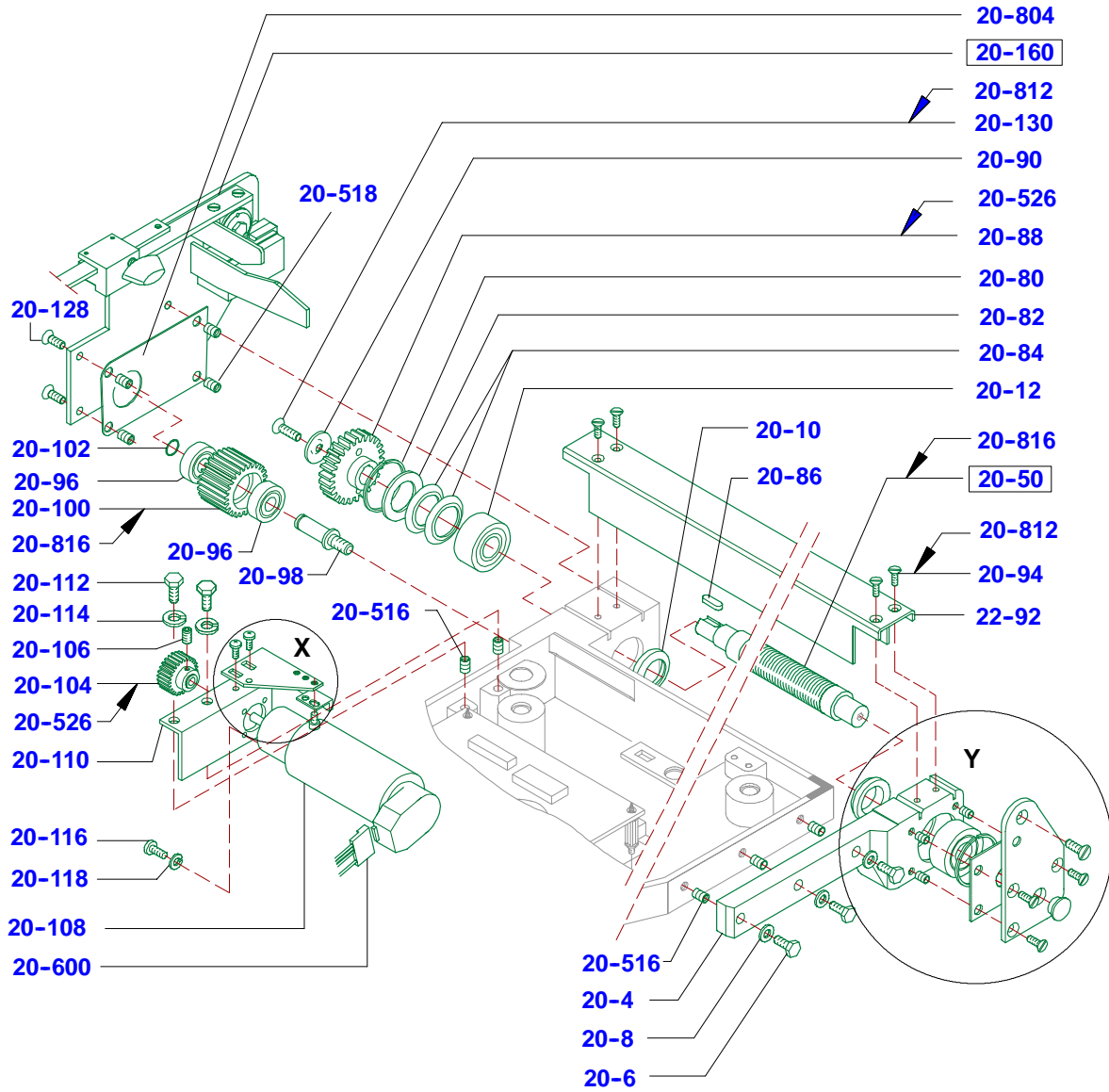


4

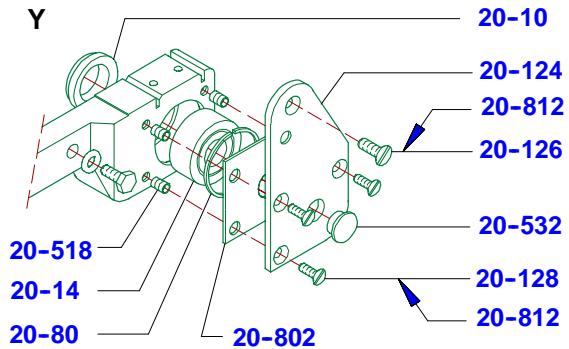
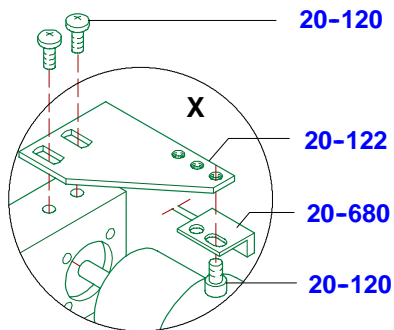
**Carriage 200 mm**



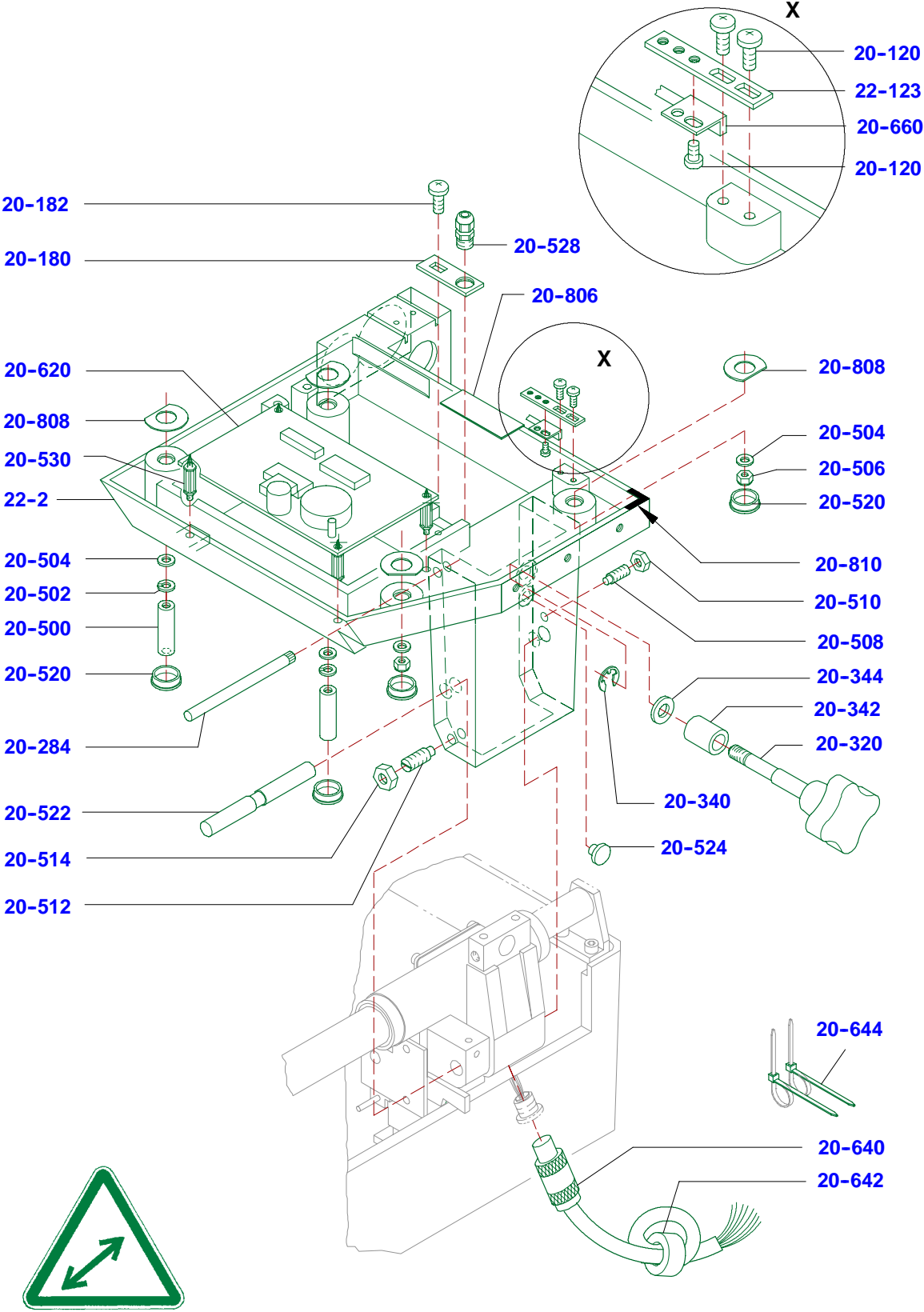
**Carriage 200 mm**



**4**

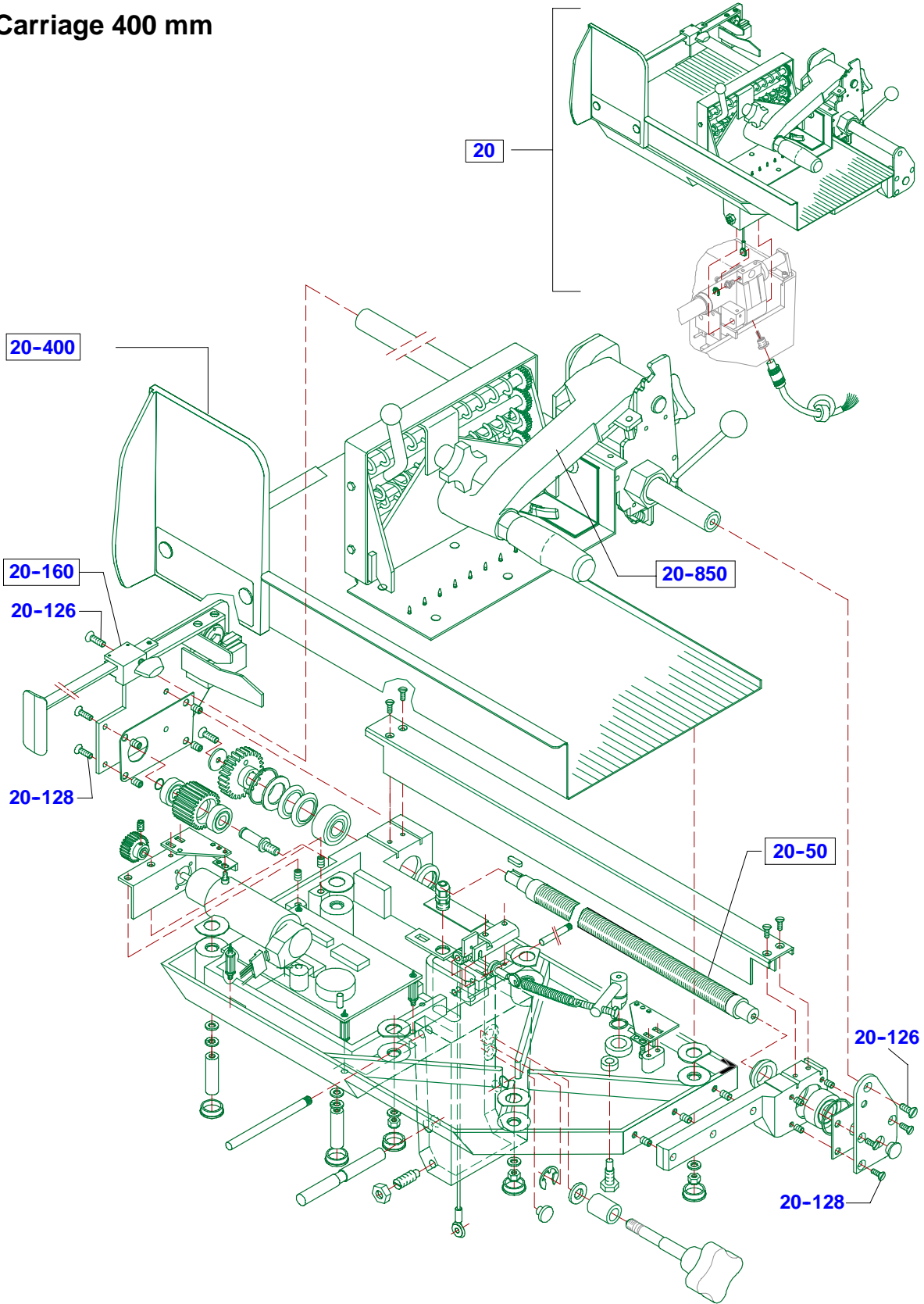


**Carriage 200 mm**



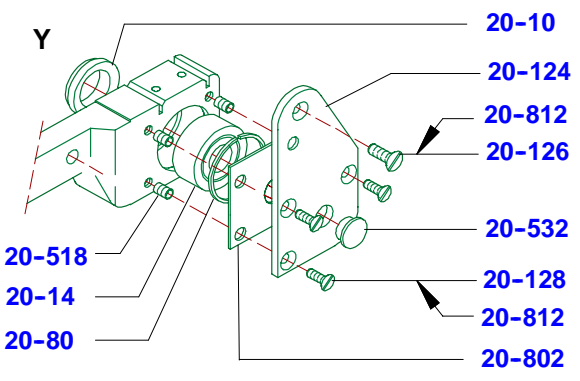
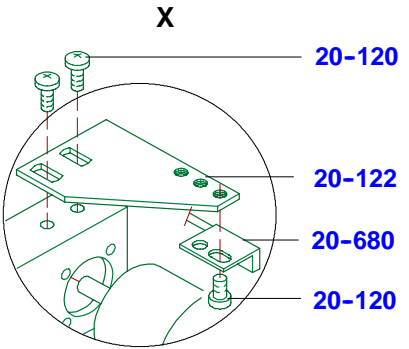
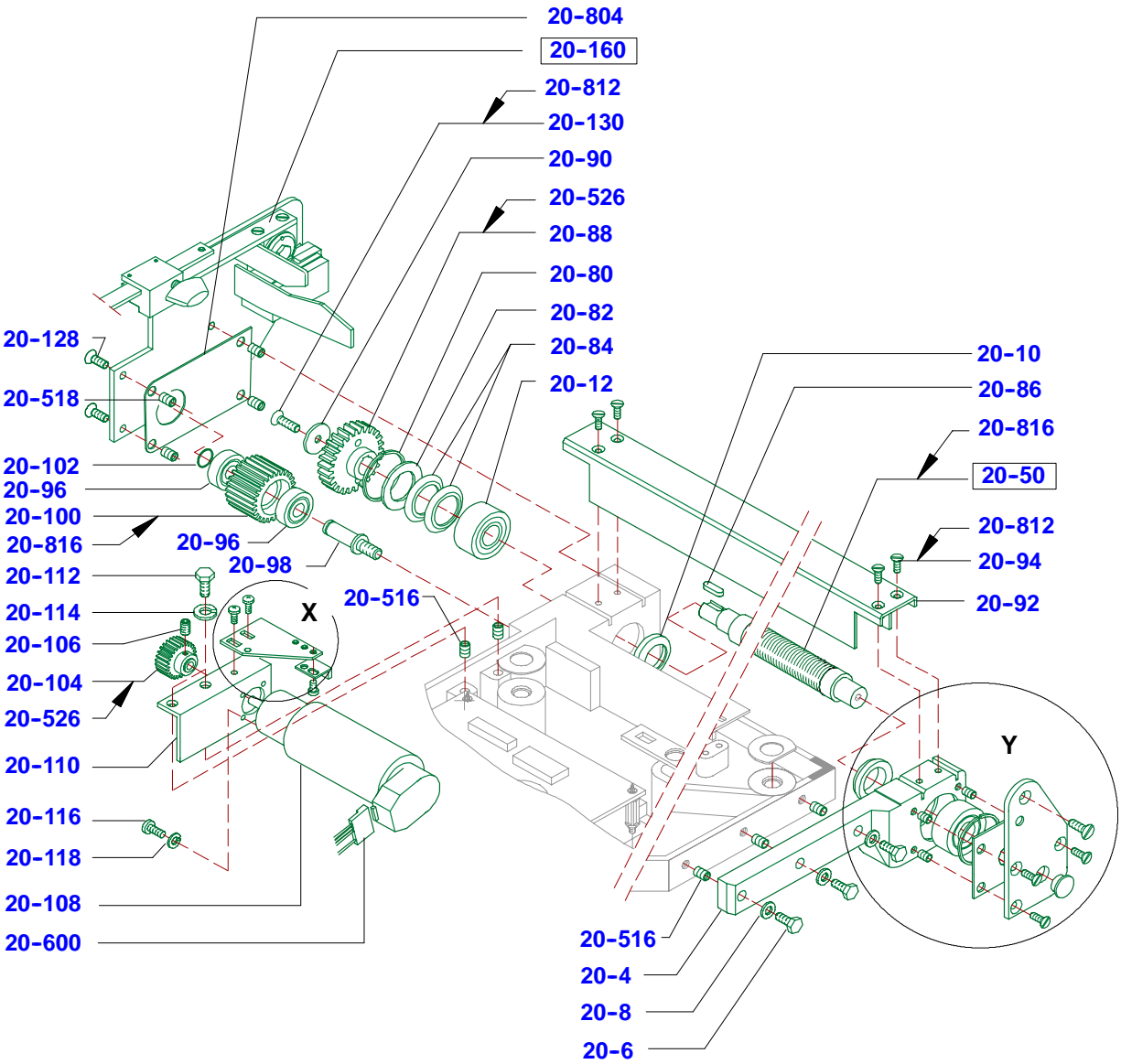
**4**

# Carriage 400 mm

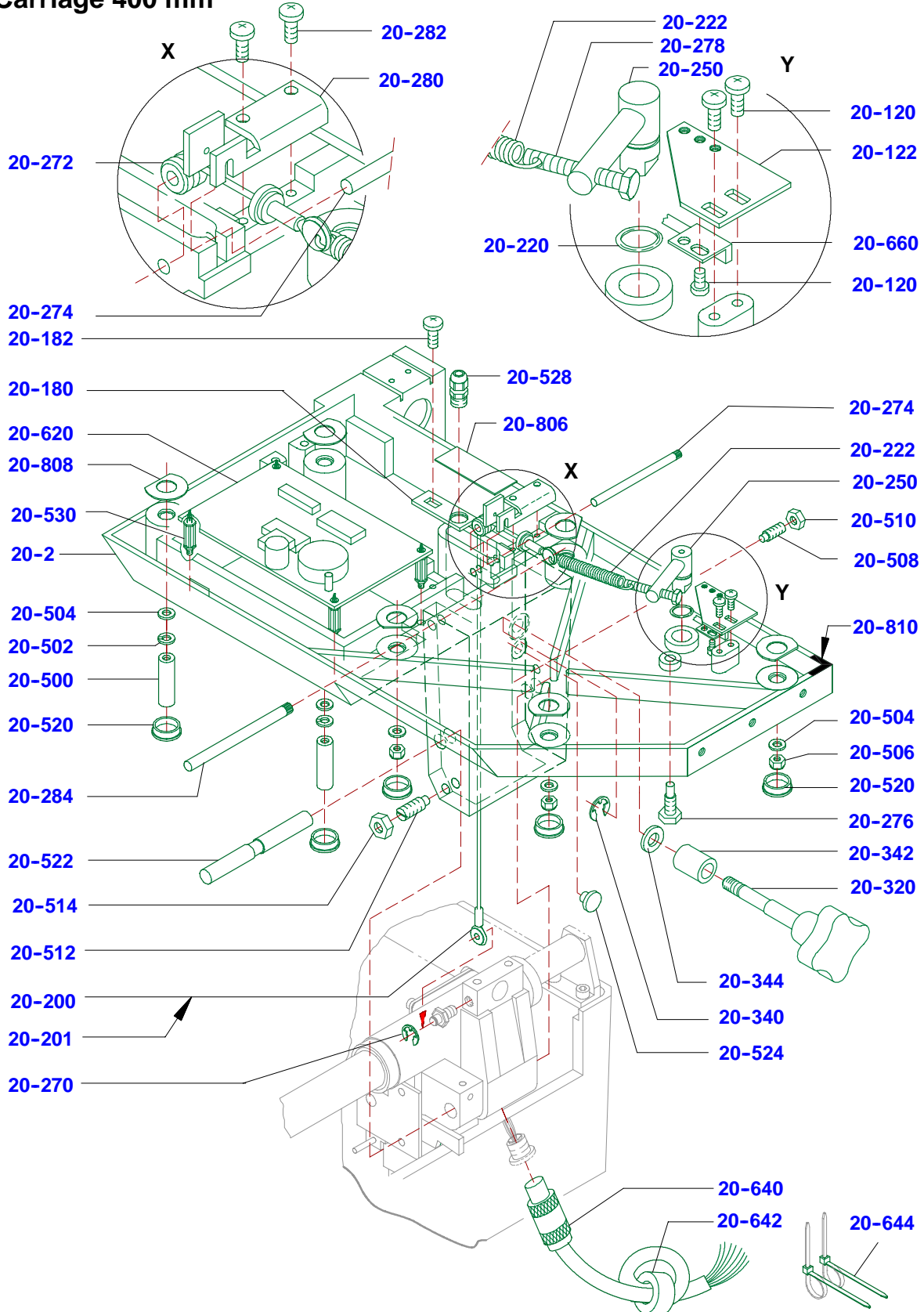


4

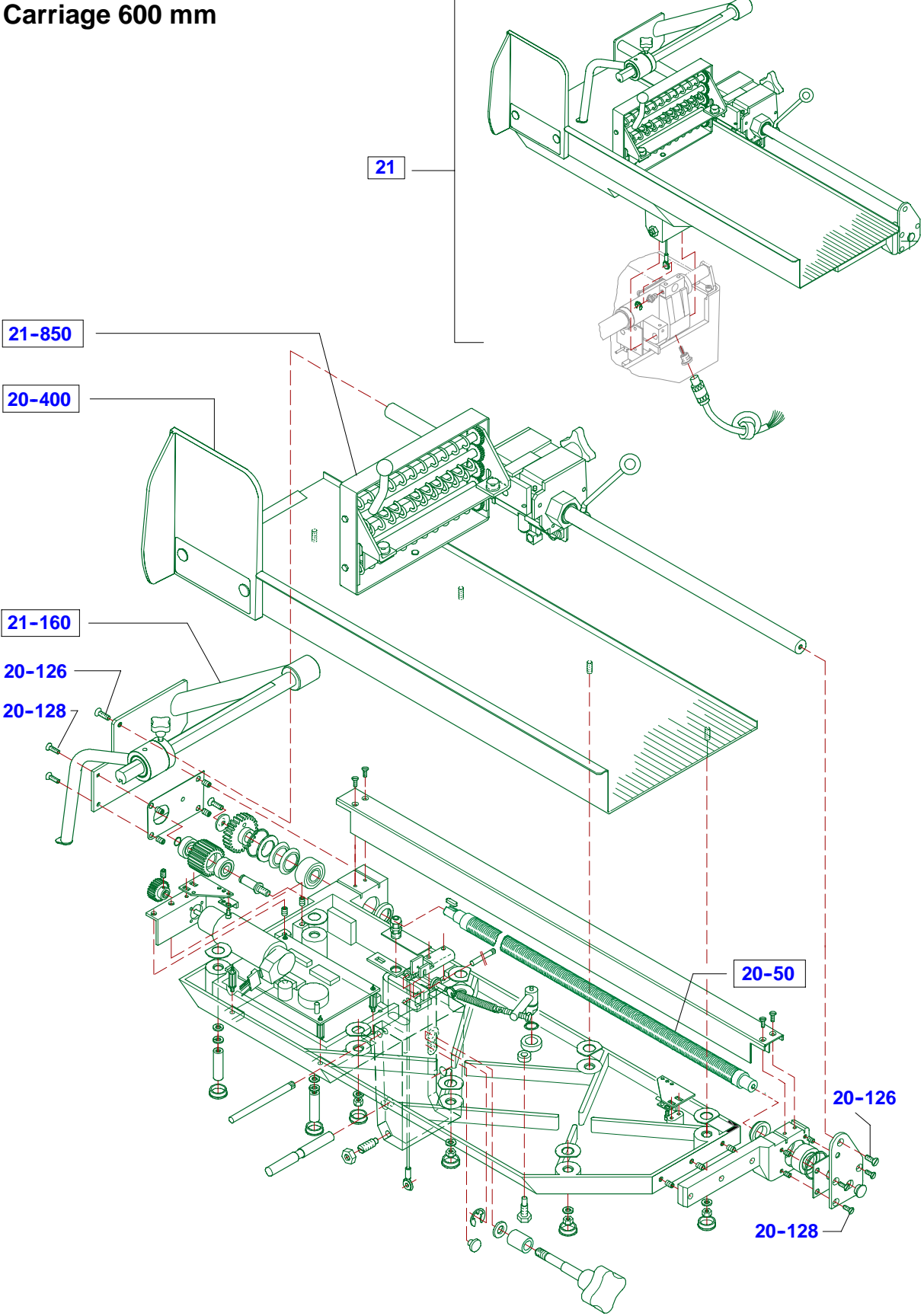
### Carriage 400 mm



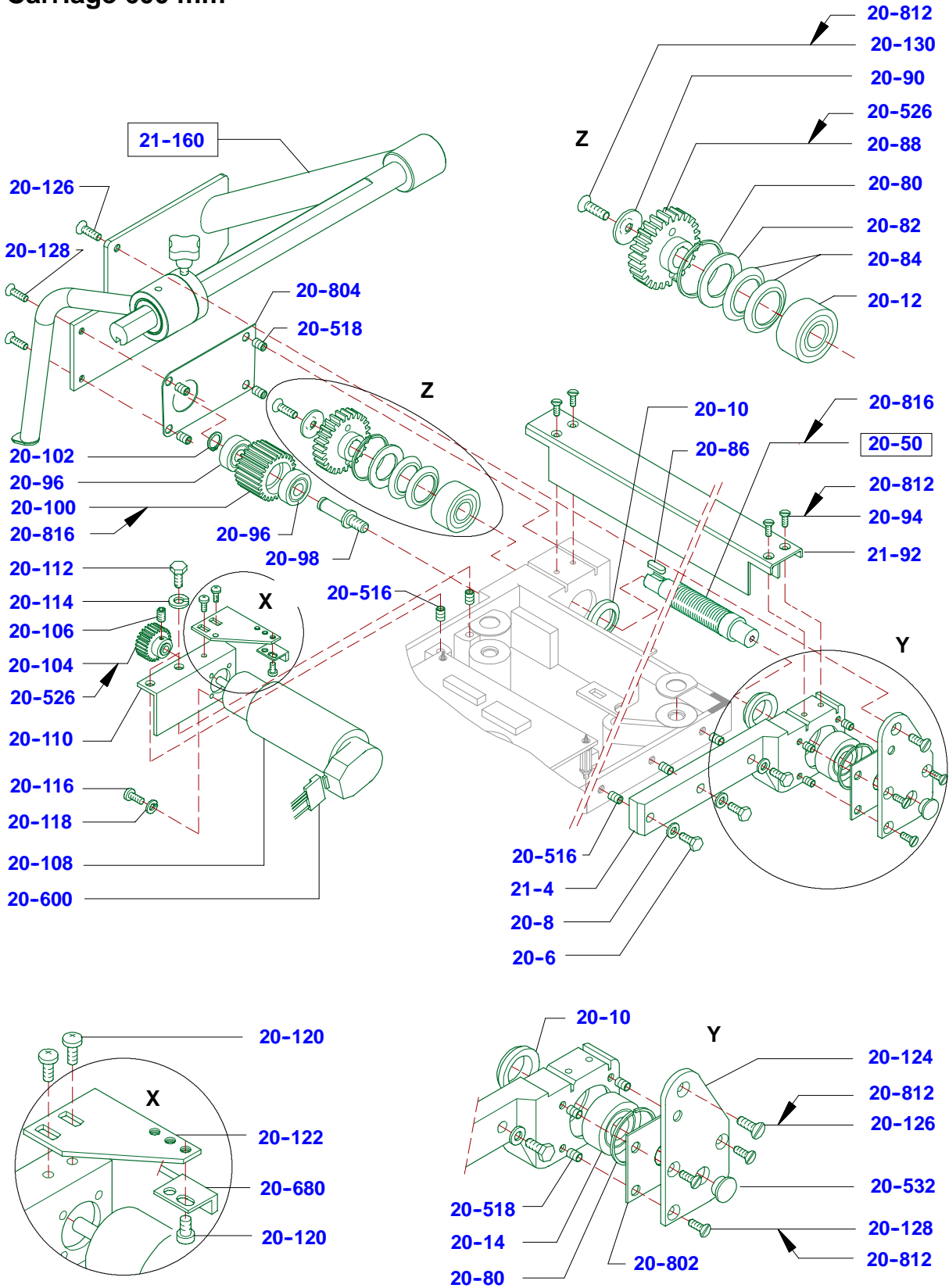
### Carriage 400 mm



**Carriage 600 mm**

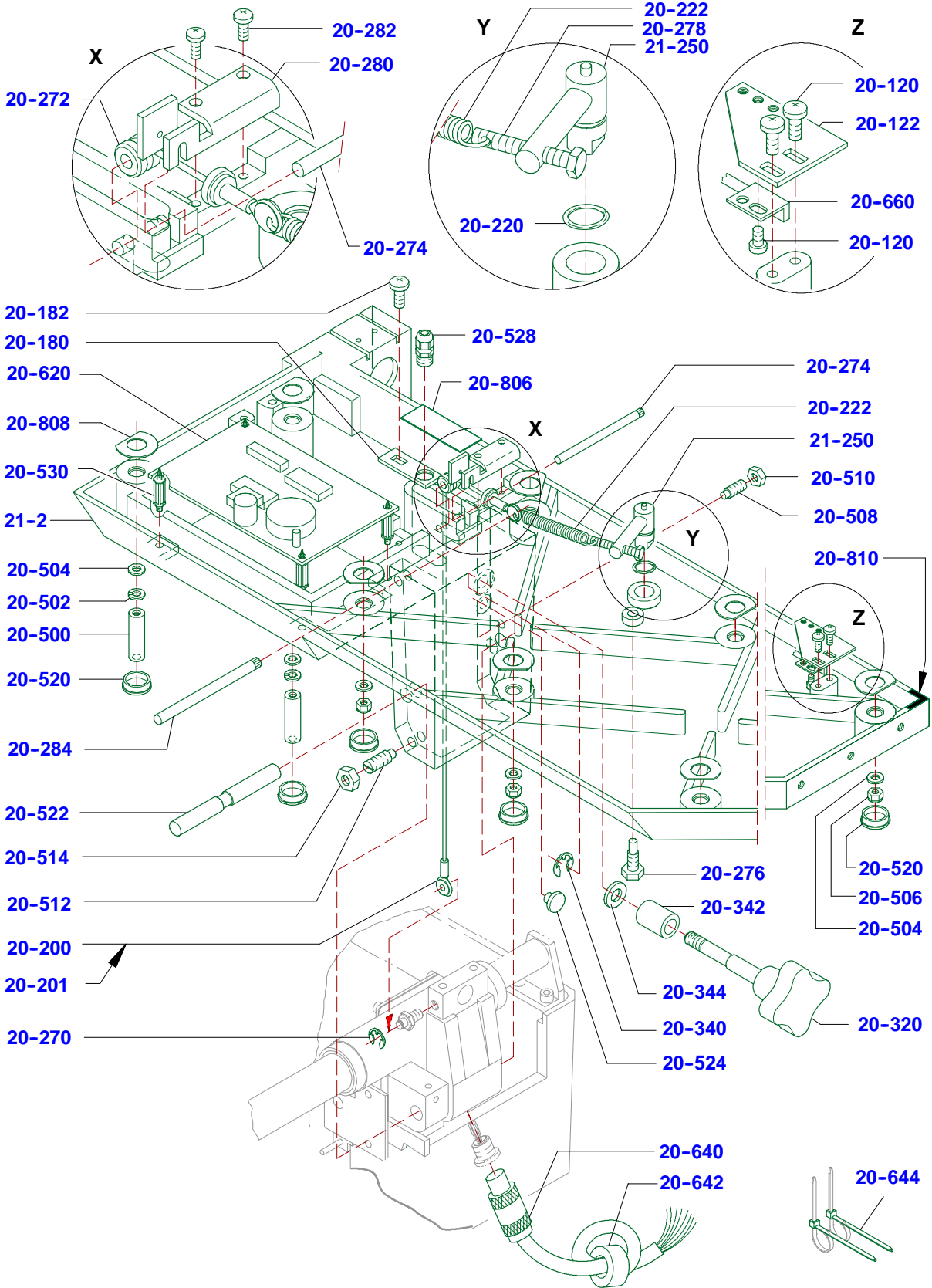


### Carriage 600 mm



4

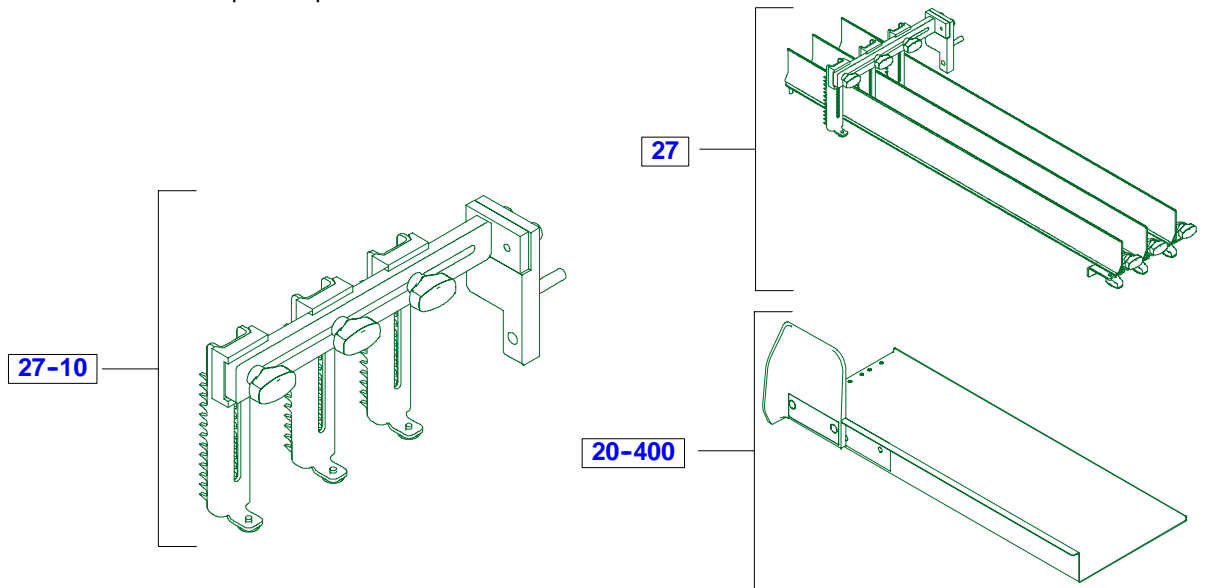
**Carriage 600 mm**



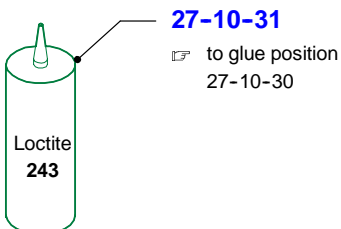
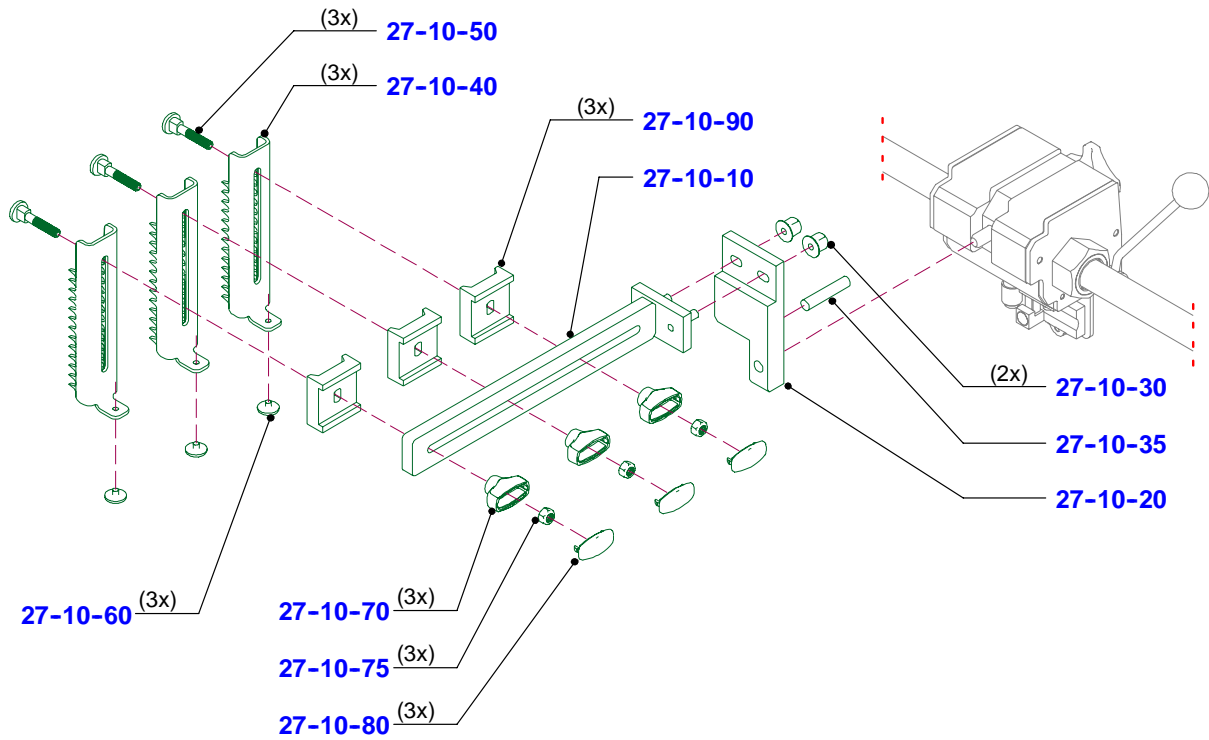
**4**

### Carriage 600 mm

Multivac: insert complete + product holder

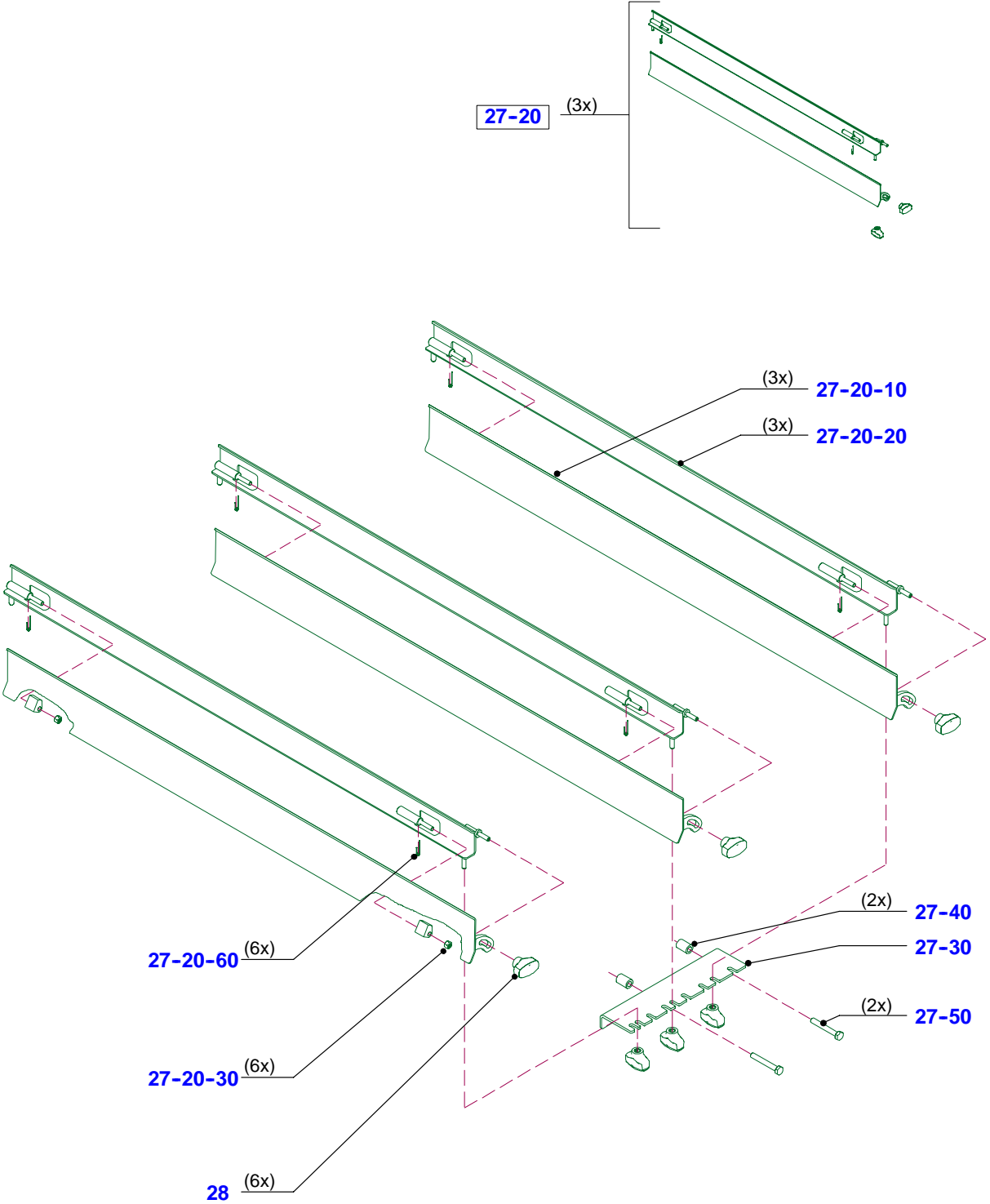


**4**



### Carriage 600 mm

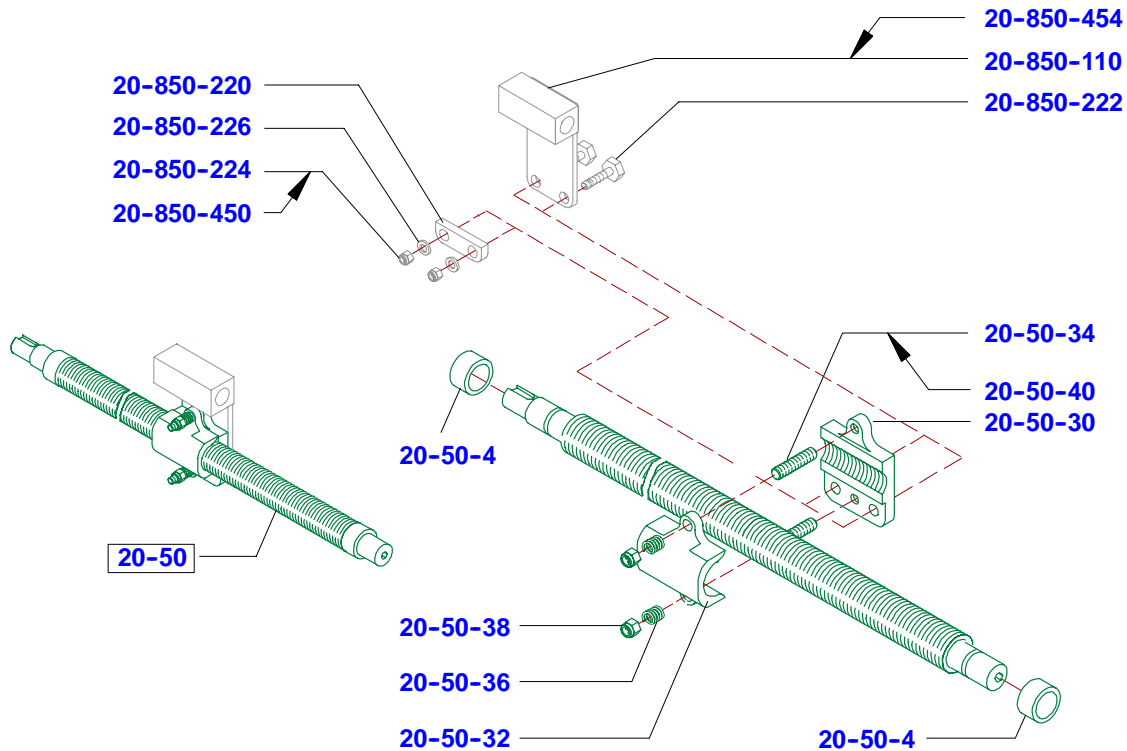
Multivac: insert complete + product holder



Page of drawing <b>28</b>	<b>A 400 / A 400 FB</b>	Spare parts list No. <b>054.98.3.1013</b>	Series (code No.) <b>90.077</b>
------------------------------	-------------------------	--	------------------------------------

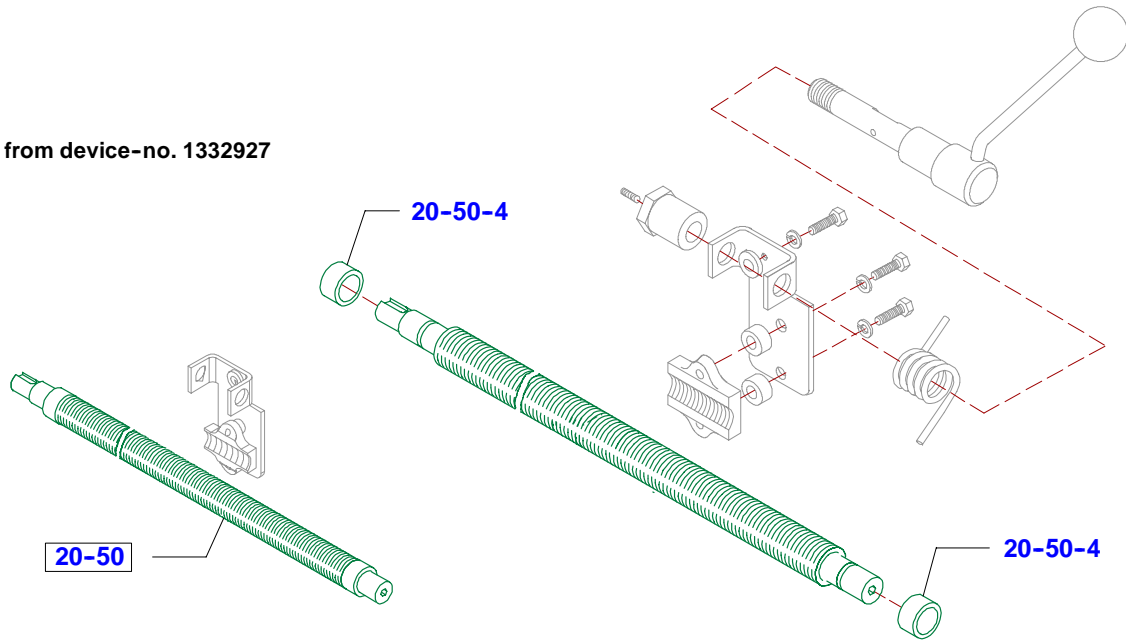
**Carriage: -Feed spindle**

up to device-no. 1332926



**4**

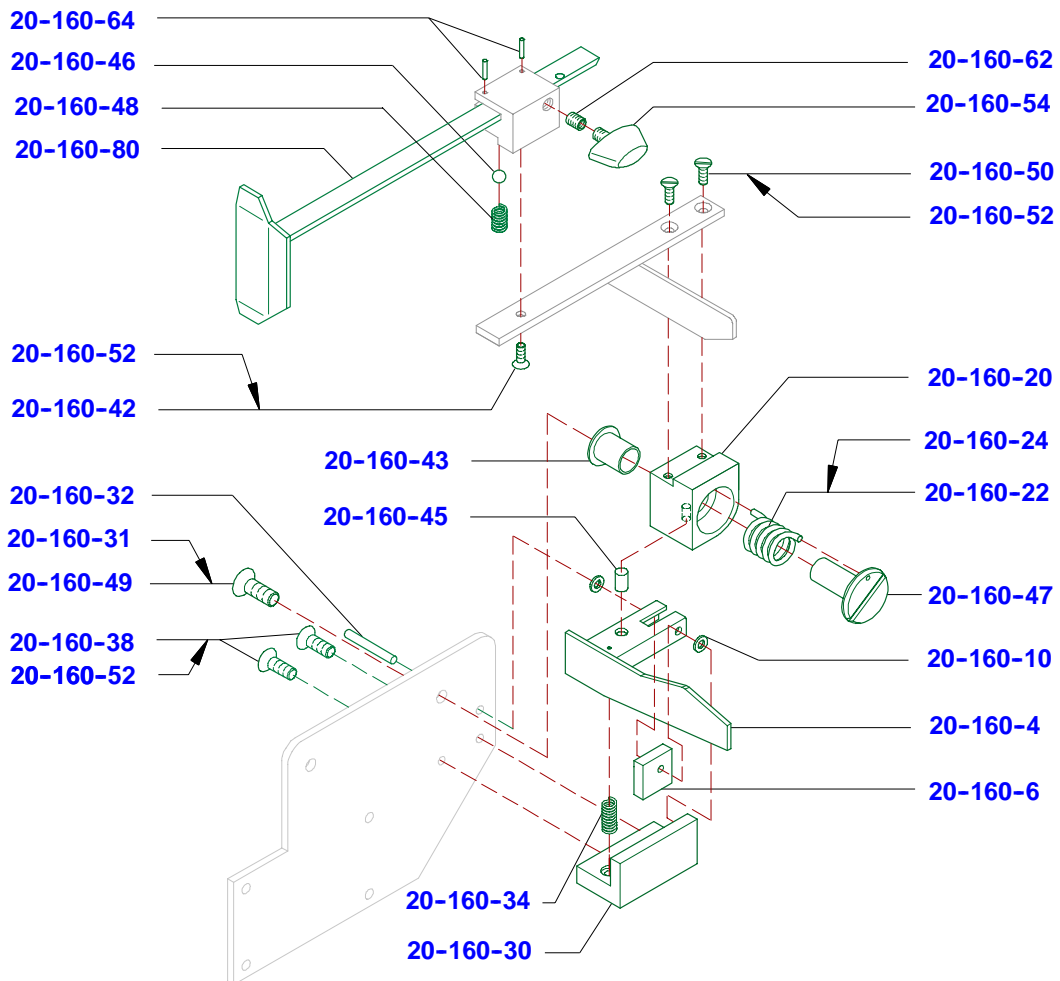
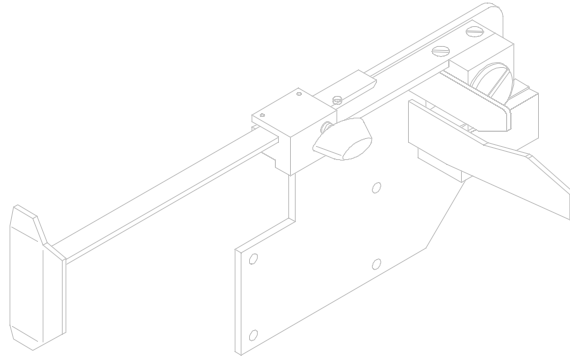
from device-no. 1332927



## Carriage: -Product holder

Carriage 400+600

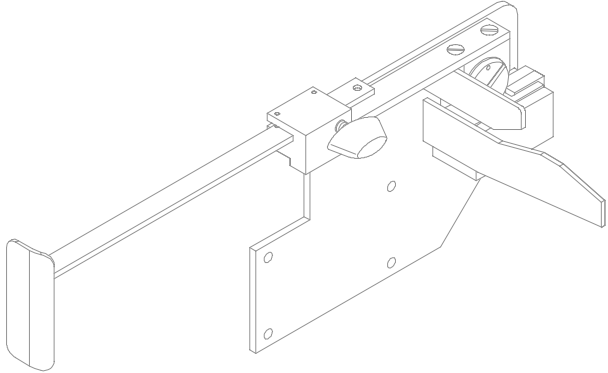
up to device-no. 1276987



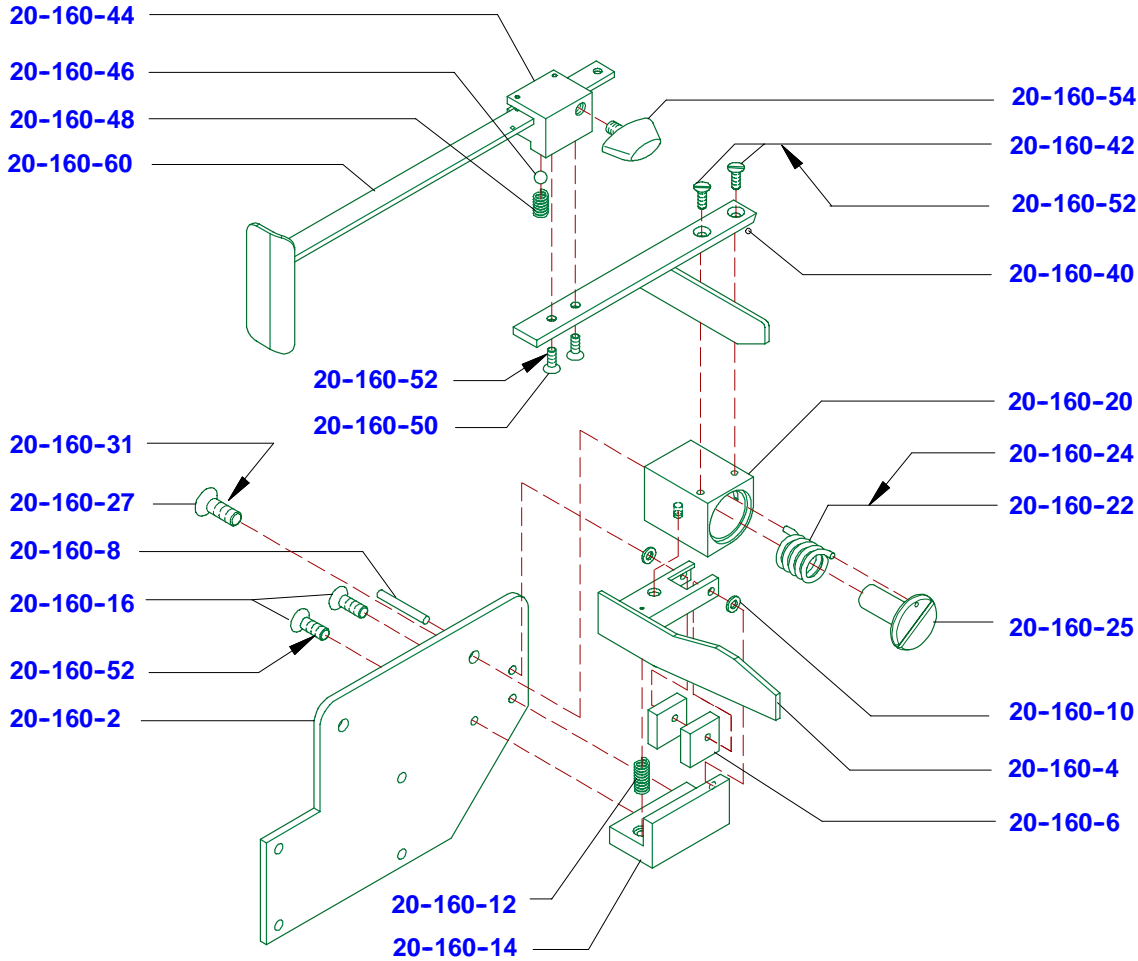
**Carriage: -Product holder**

Carriage 200+400+600

device-no. 1276987 - 1332926



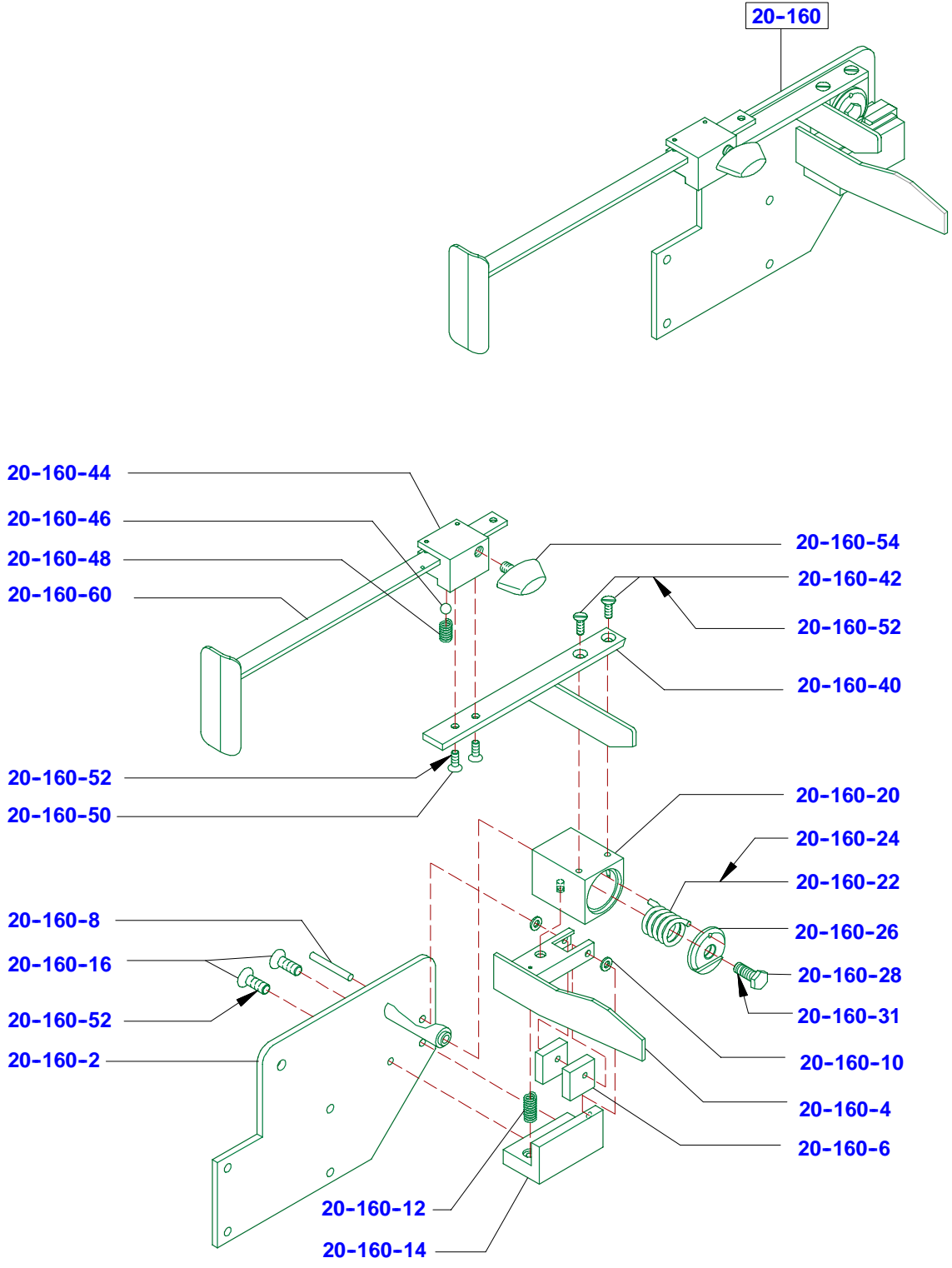
**4**



**Carriage: -Product holder**

Carriage 200+400+600 (JAP)+600 (Multivac)

from device-no. 1332927

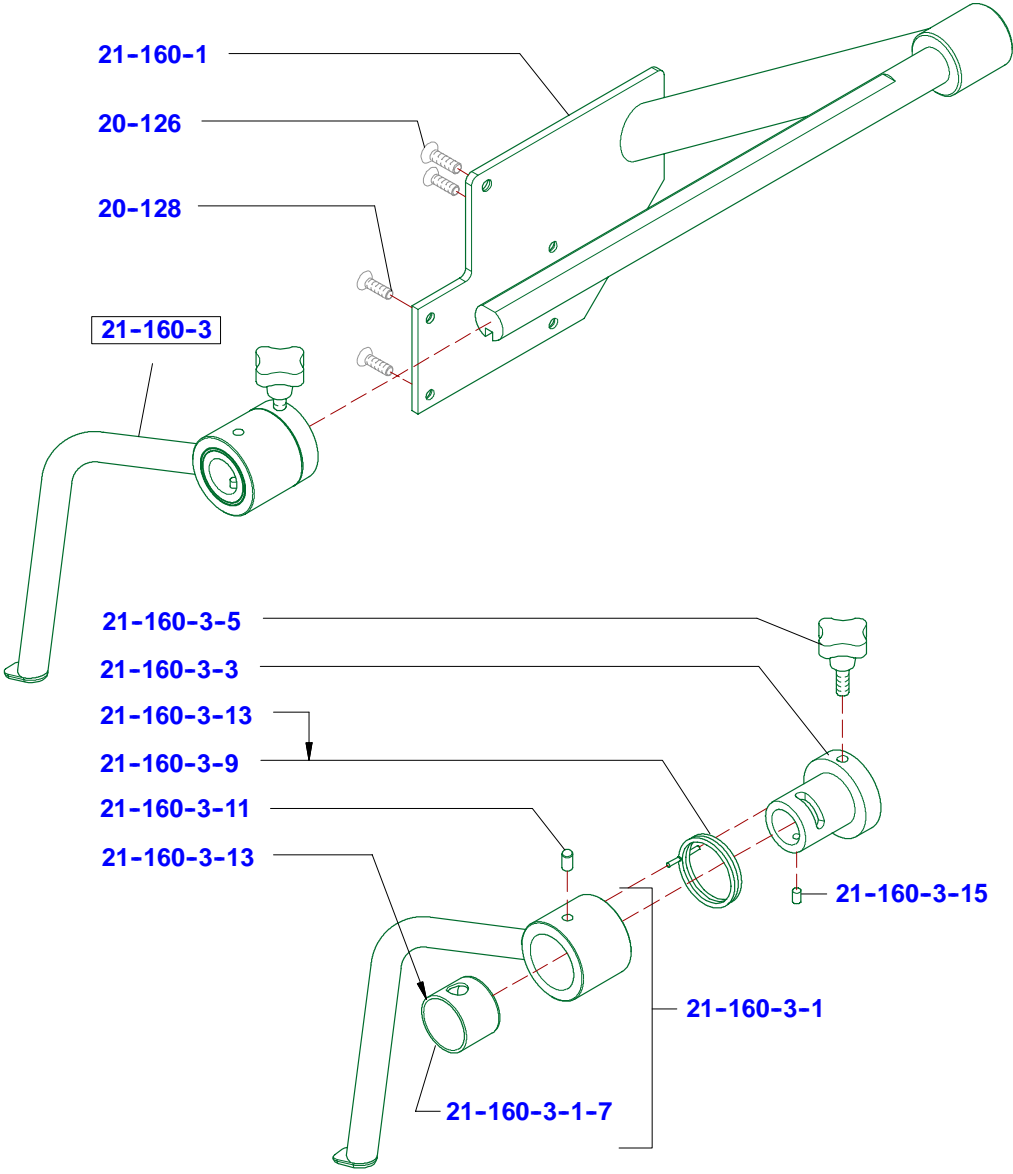
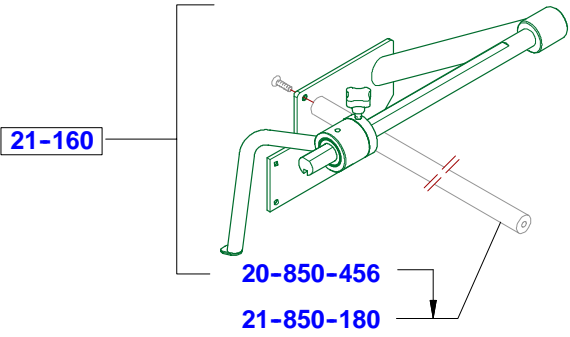


Page of drawing <b>32</b>	<b>A 400 / A 400 FB</b>	Spare parts list No. <b>054.98.3.1013</b>	Series (code No.) <b>90.077</b>
------------------------------	-------------------------	--	------------------------------------

**Carriage: -Product holder**

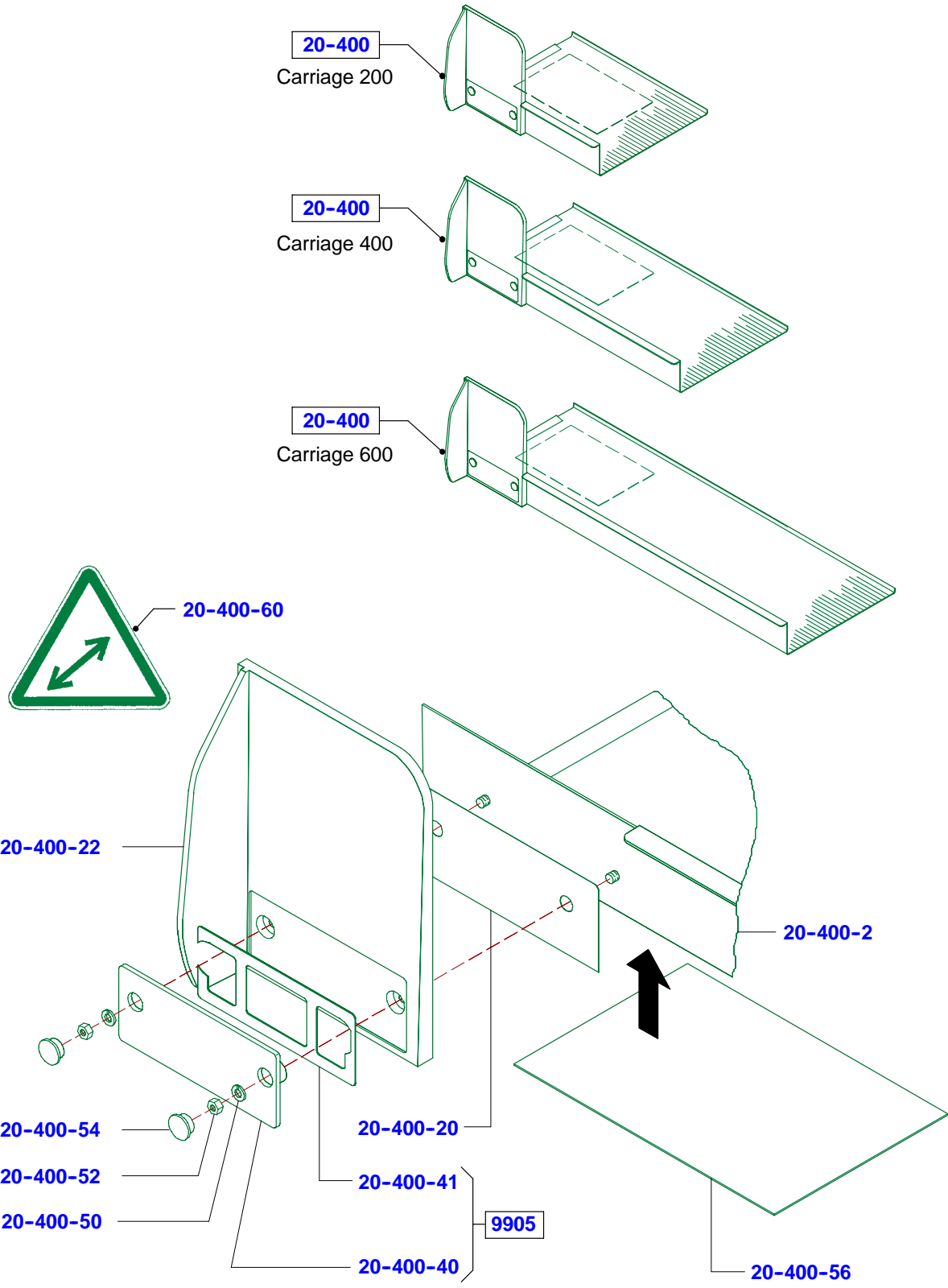
Carriage 600

from device-no. 1332927



**4**

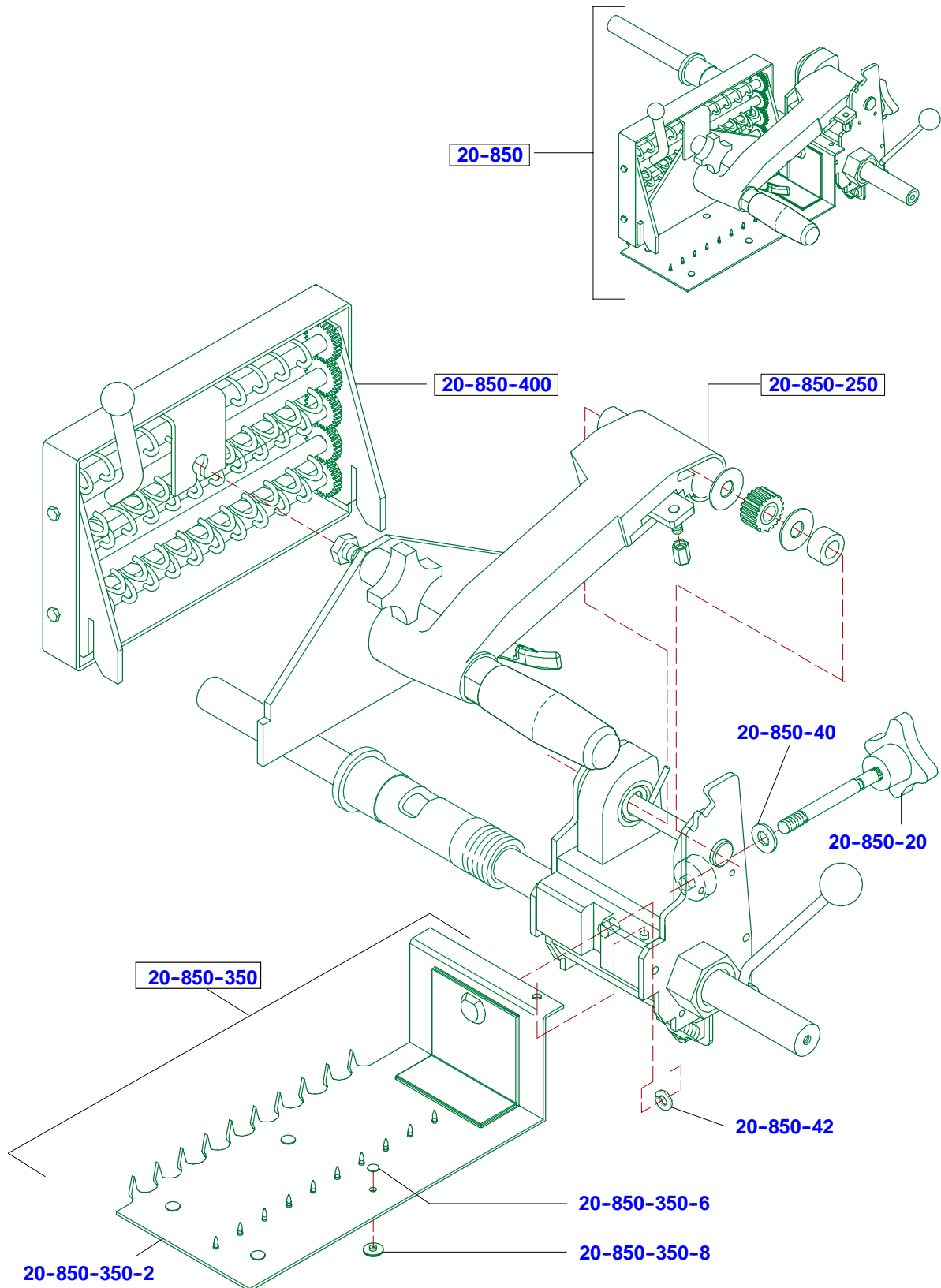
**Carriage: -Carriage plate**



**Carriage: -Product holder + product guide**

Carriage 200+400

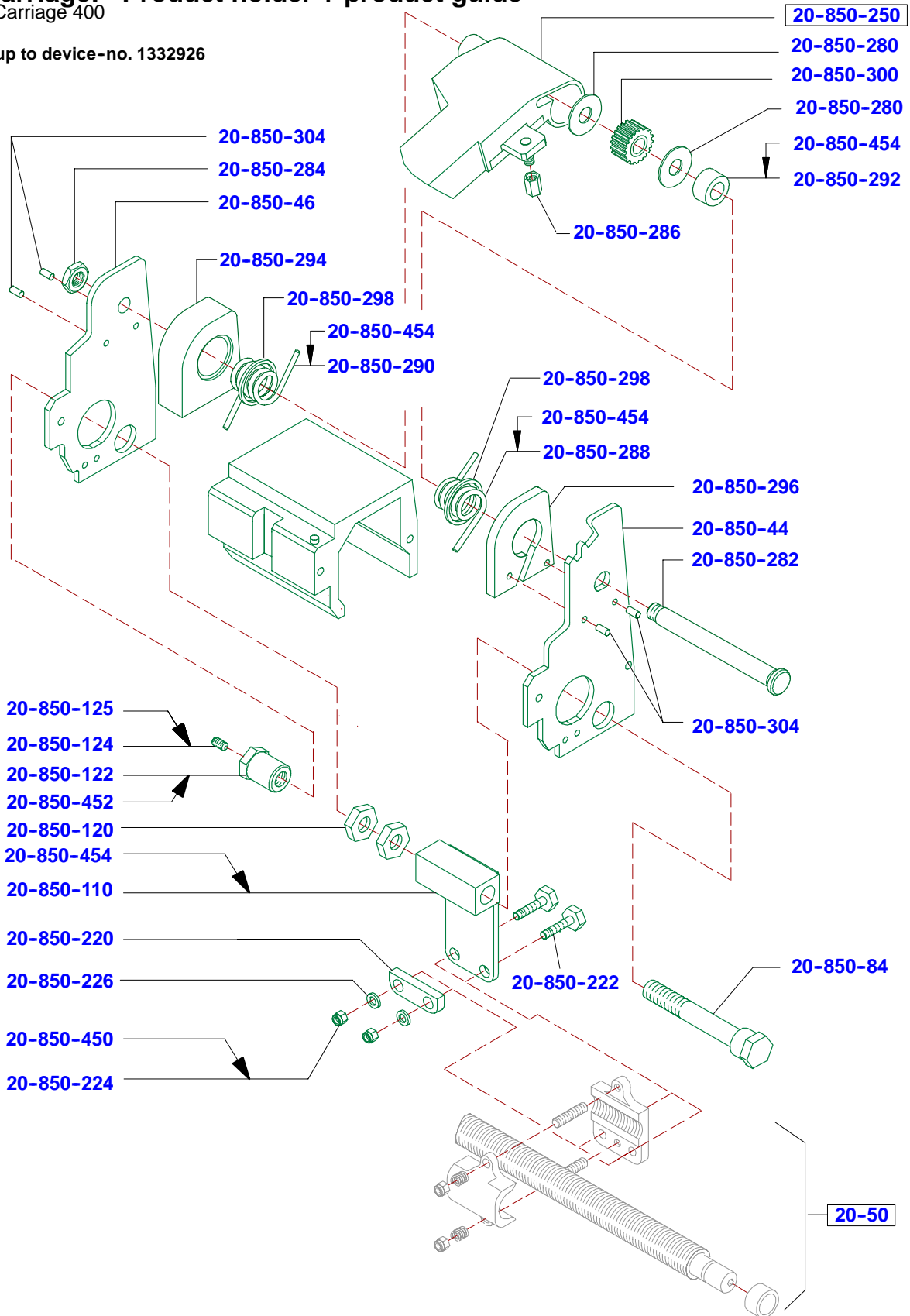
**4**



### Carriage: -Product holder + product guide

Carriage 400

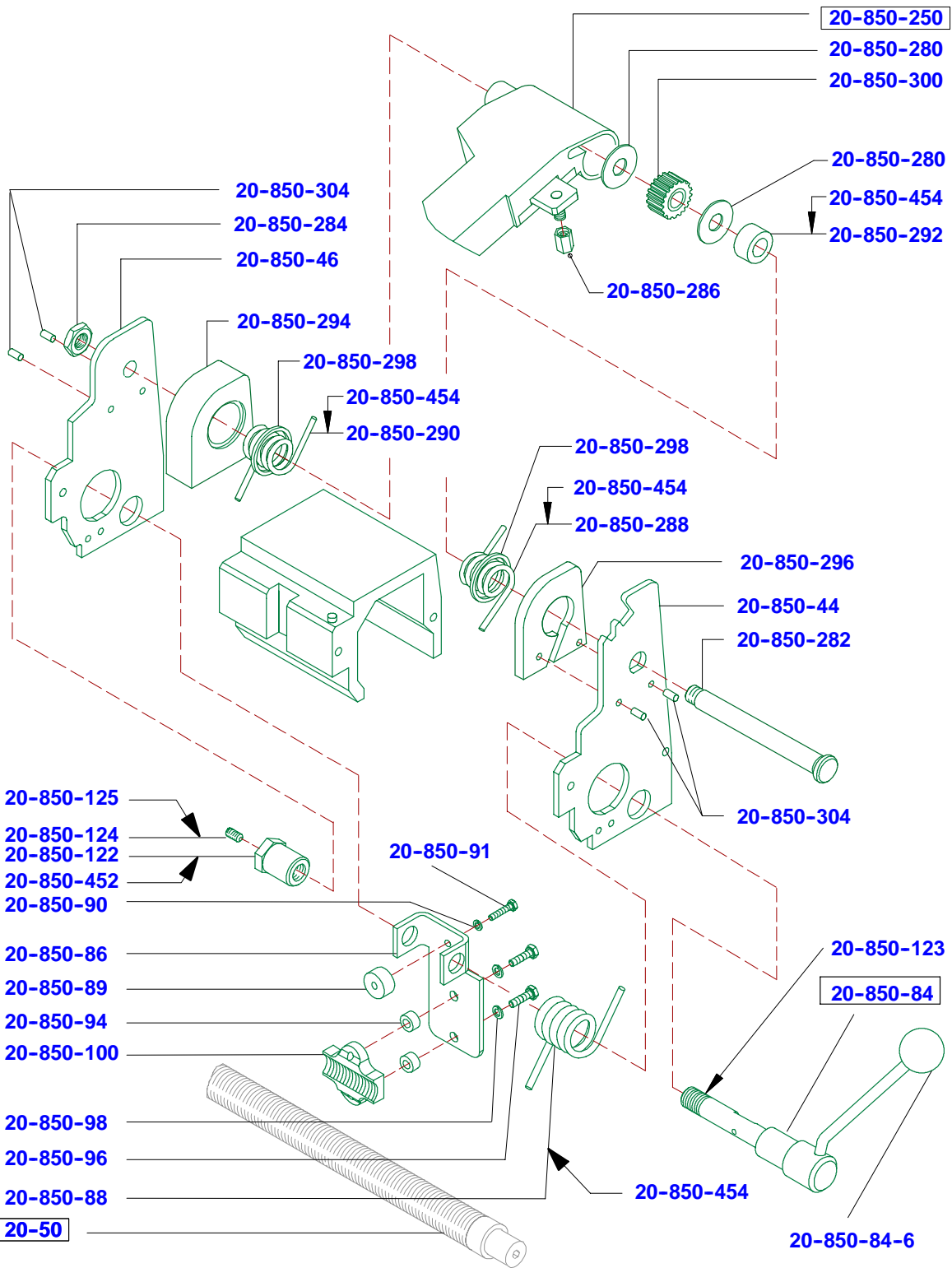
up to device-no. 1332926



### Carriage: -Product holder + product guide

Carriage 200+400

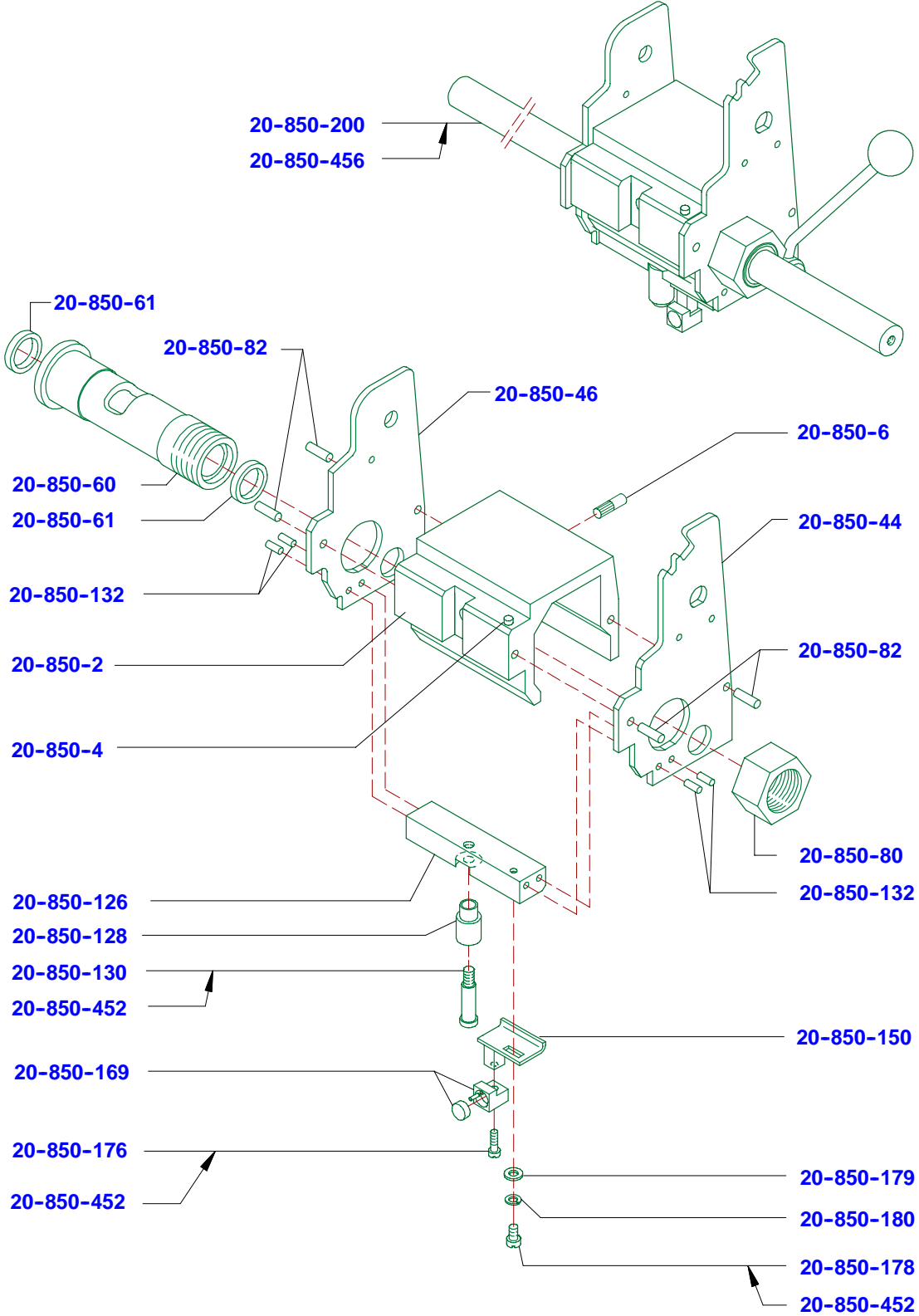
from device-no. 1332927



4

**Carriage: -Product holder + product guide**

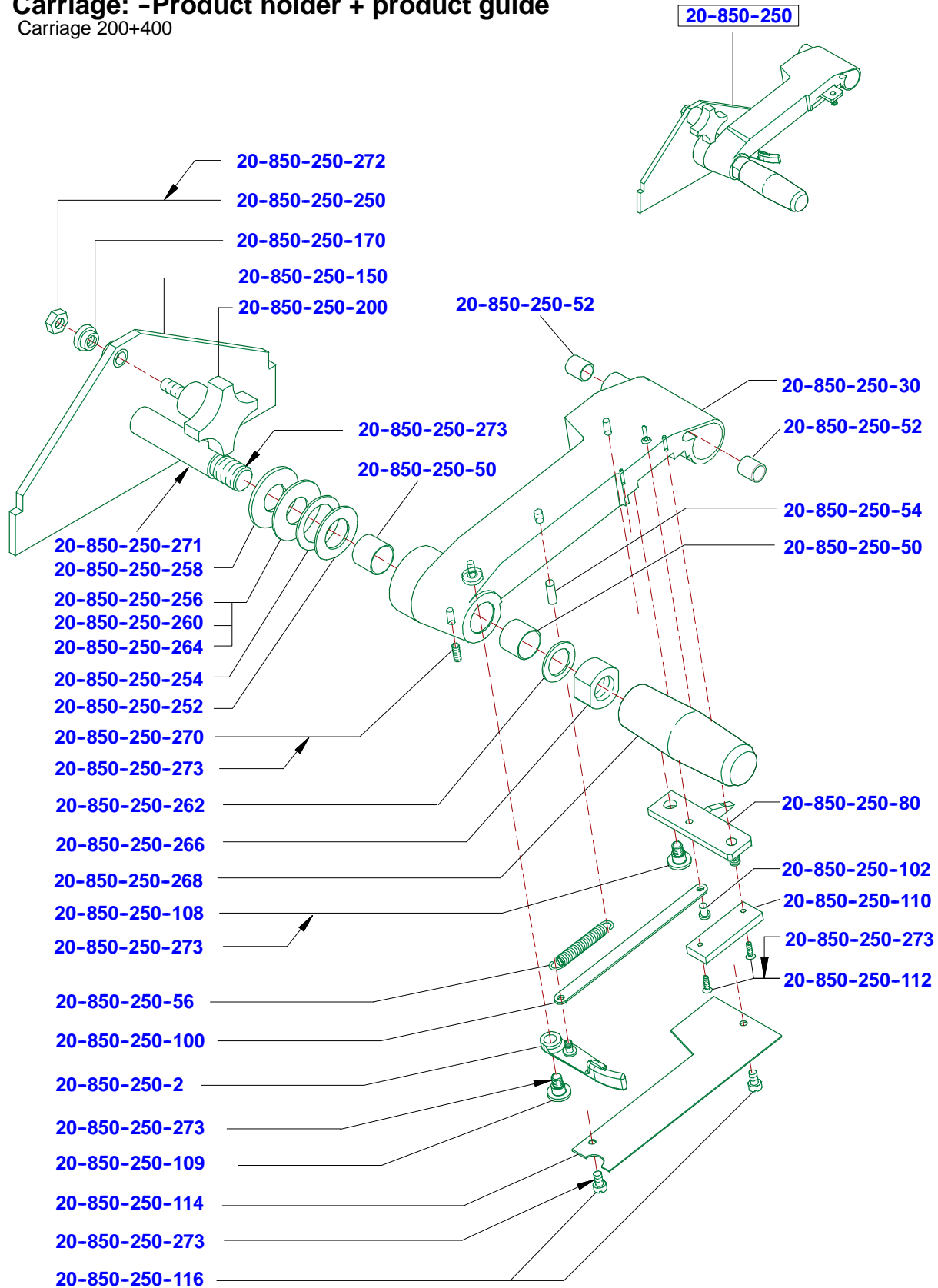
Carriage 200+400



**4**

### Carriage: -Product holder + product guide

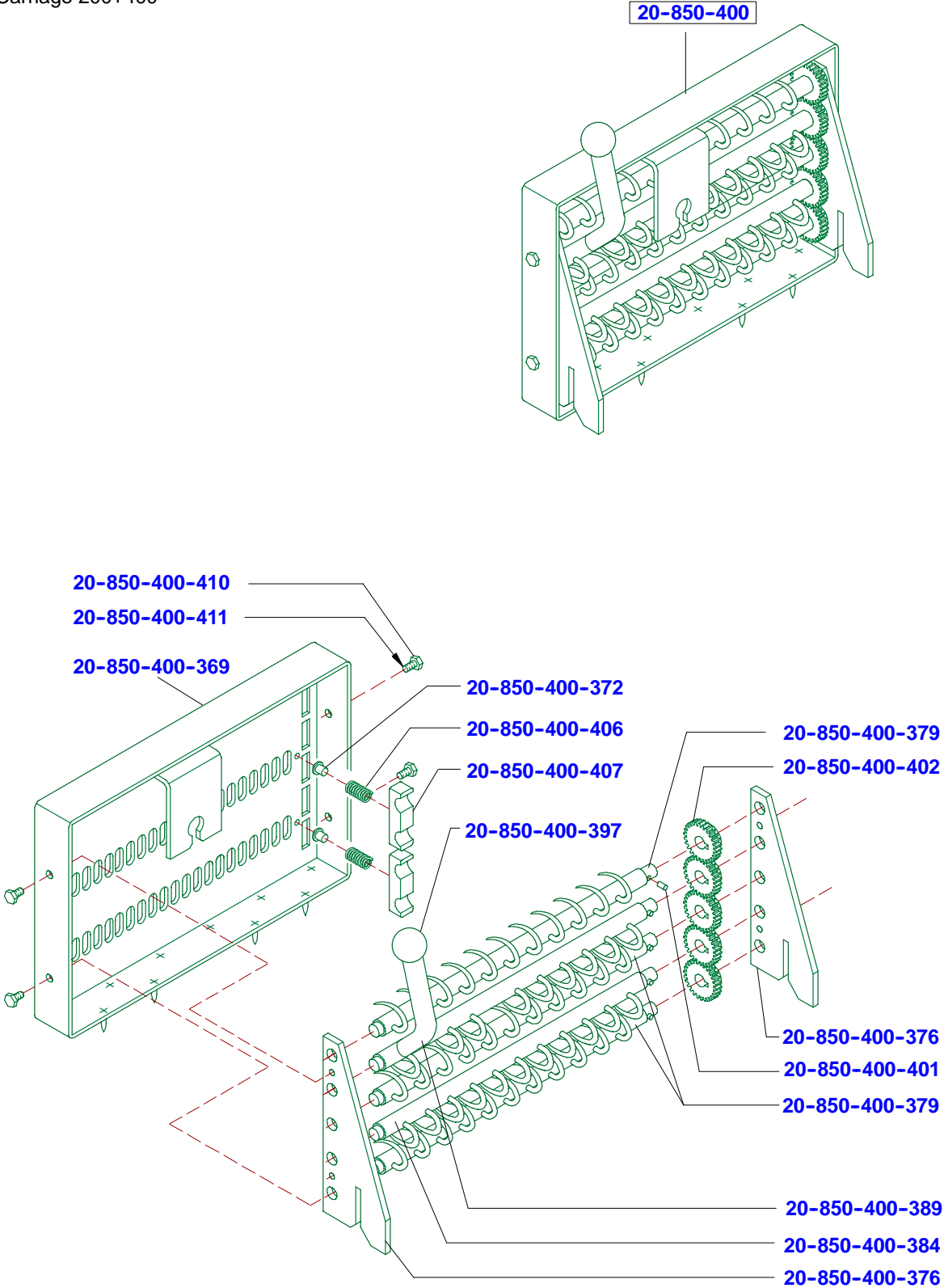
Carriage 200+400



4

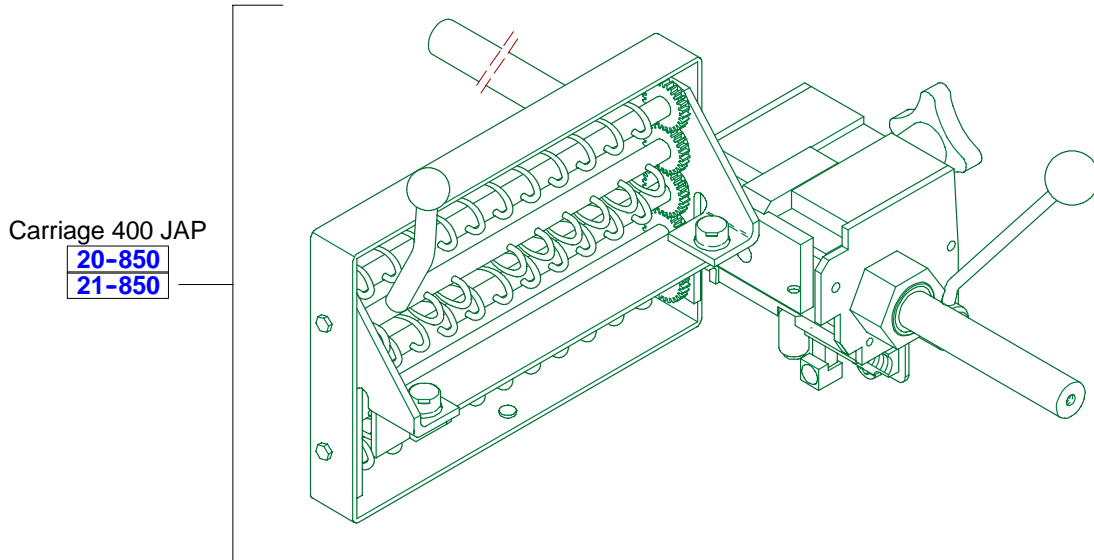
**Carriage: -Product holder + product guide**

Carriage 200+400



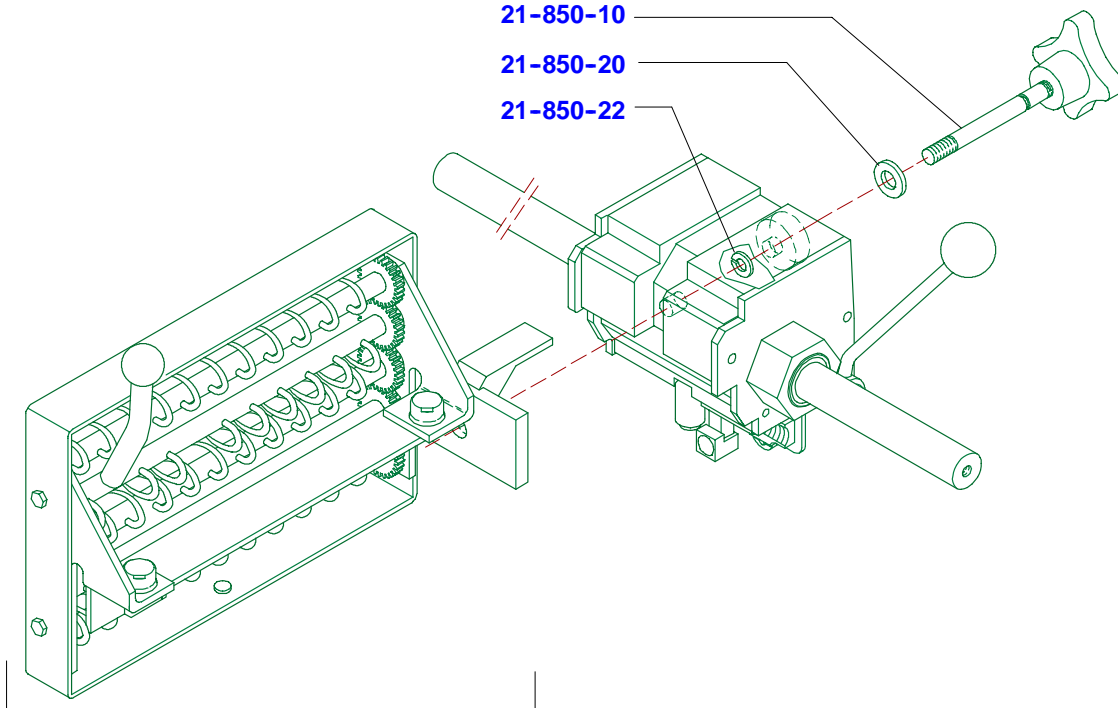
### Carriage: -Product holder + product guide

Carriage 400 JAP+600



- 21-850-10
- 21-850-20
- 21-850-22

4

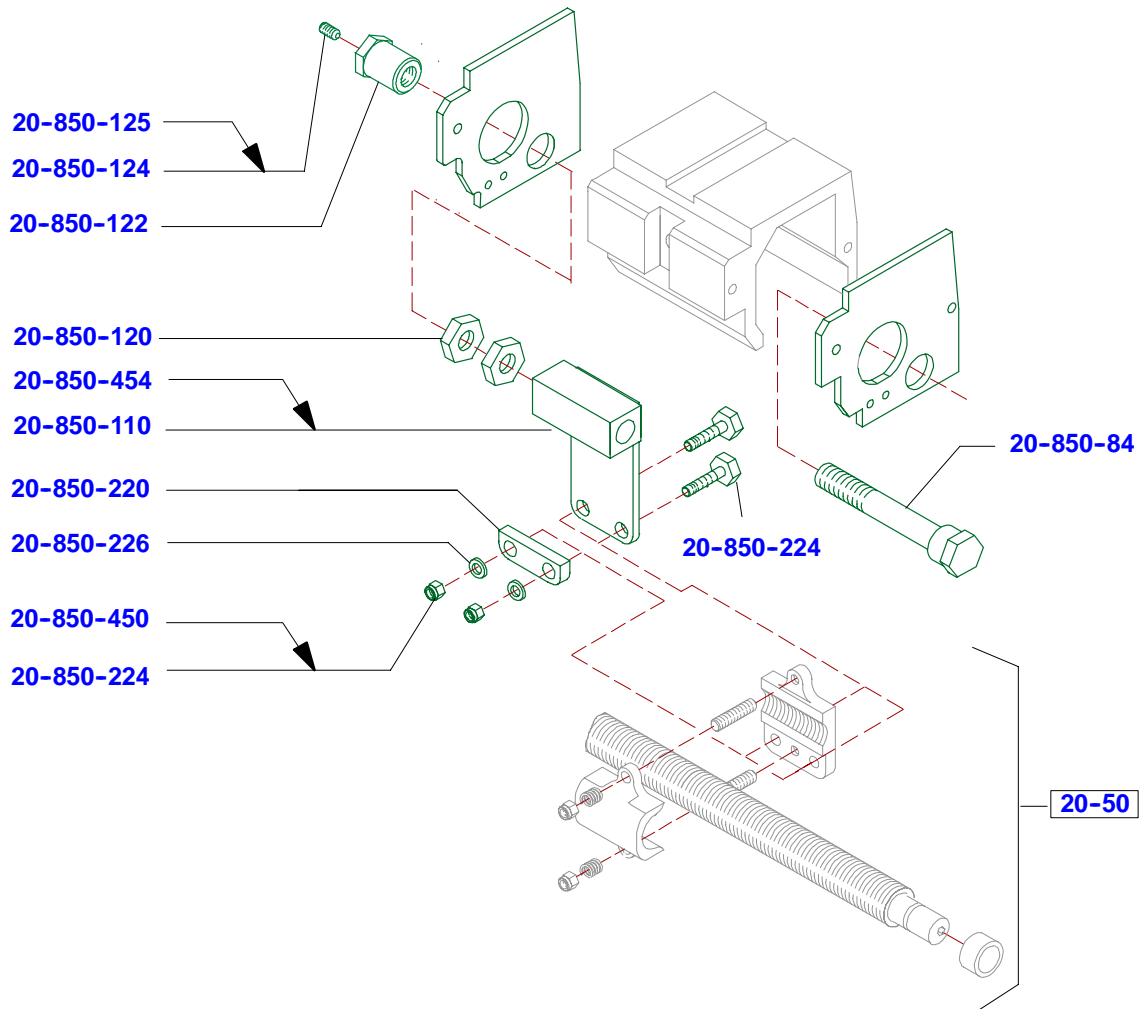


21-850-250  
20-850-260  
Carriage 400 JAP

## Carriage: -Product holder + product guide

Carriage 600

up to device-no. 1332926



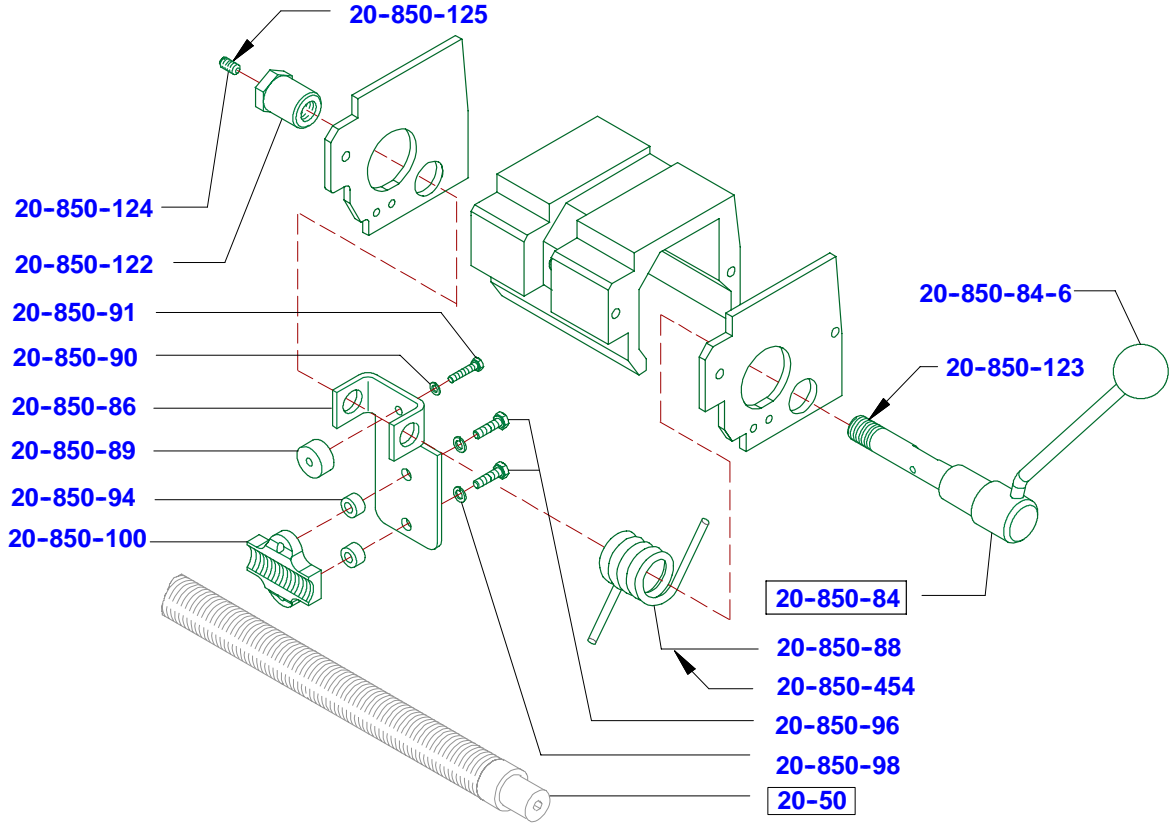
Page of drawing <b>42</b>	<b>A 400 / A 400 FB</b>	Spare parts list No. <b>054.98.3.1013</b>	Series (code No.) <b>90.077</b>
------------------------------	-------------------------	--	------------------------------------

**Carriage: -Product holder + product guide**

Carriage 400 JAP+600

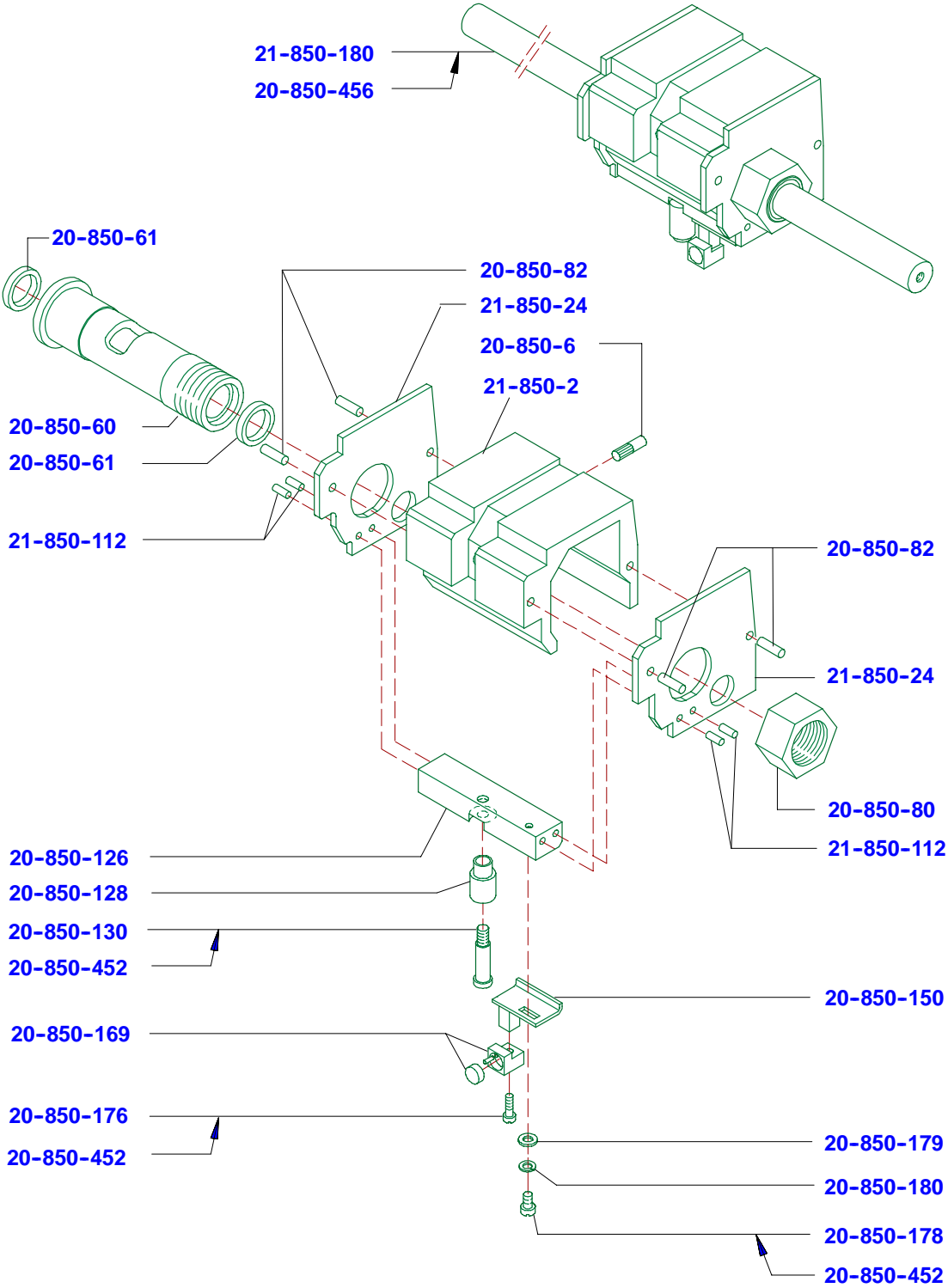
from device-no. 1332927

**4**



**Carriage: -Product holder + product guide**

Carriage 400 JAP+600



### Carriage: -Product holder + product guide

Carriage 400 JAP+600

20-850-260-50  
20-850-260-48

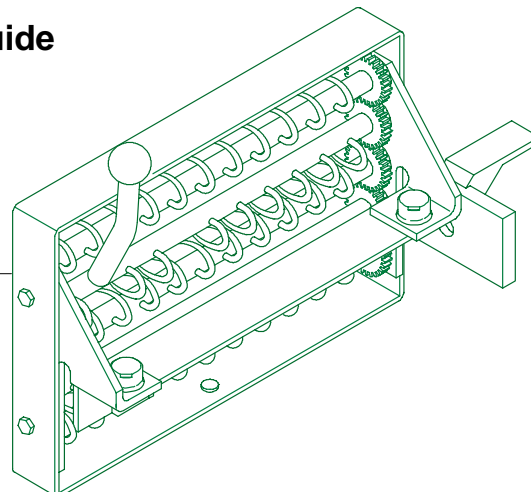
20-850-260-46  
20-850-260-44

20-850-260-42

Carriage 400 JAP  
Detail "A"

Carriage 400 JAP

20-850-260  
21-850-250



21-850-250-36

21-850-250-25

21-850-250-2

21-850-250-36

21-850-250-26

21-850-250-4

21-850-250-22

21-850-250-24

21-850-250-20

21-850-250-8

21-850-250-16

"A"

21-850-250-38

21-850-250-40

21-850-250-14

21-850-250-18

21-850-250-10

(B)

21-850-250-34

21-850-250-6

21-850-250-36

21-850-250-28

21-850-250-12

21-850-250-32

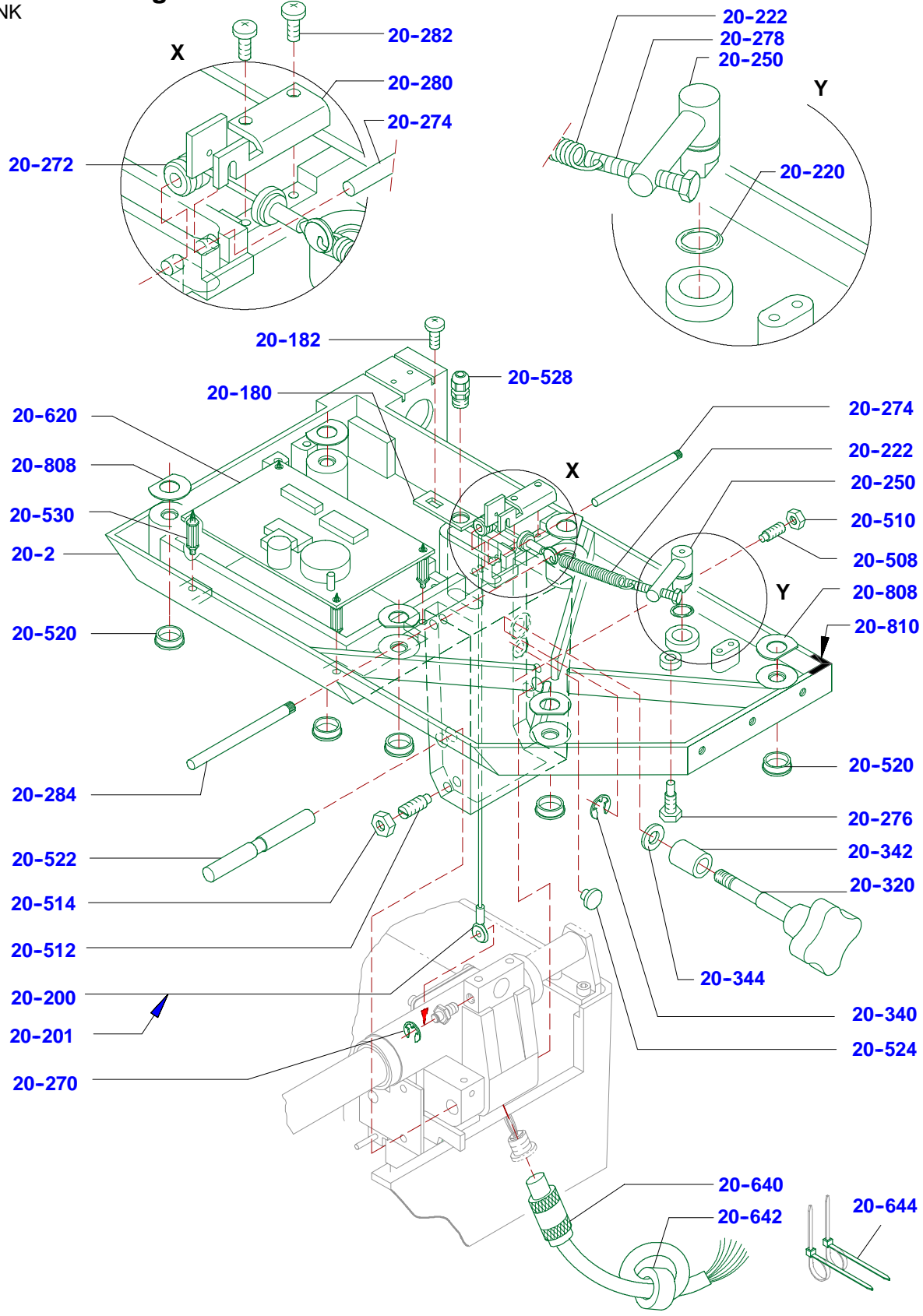
21-850-250-30

(A)

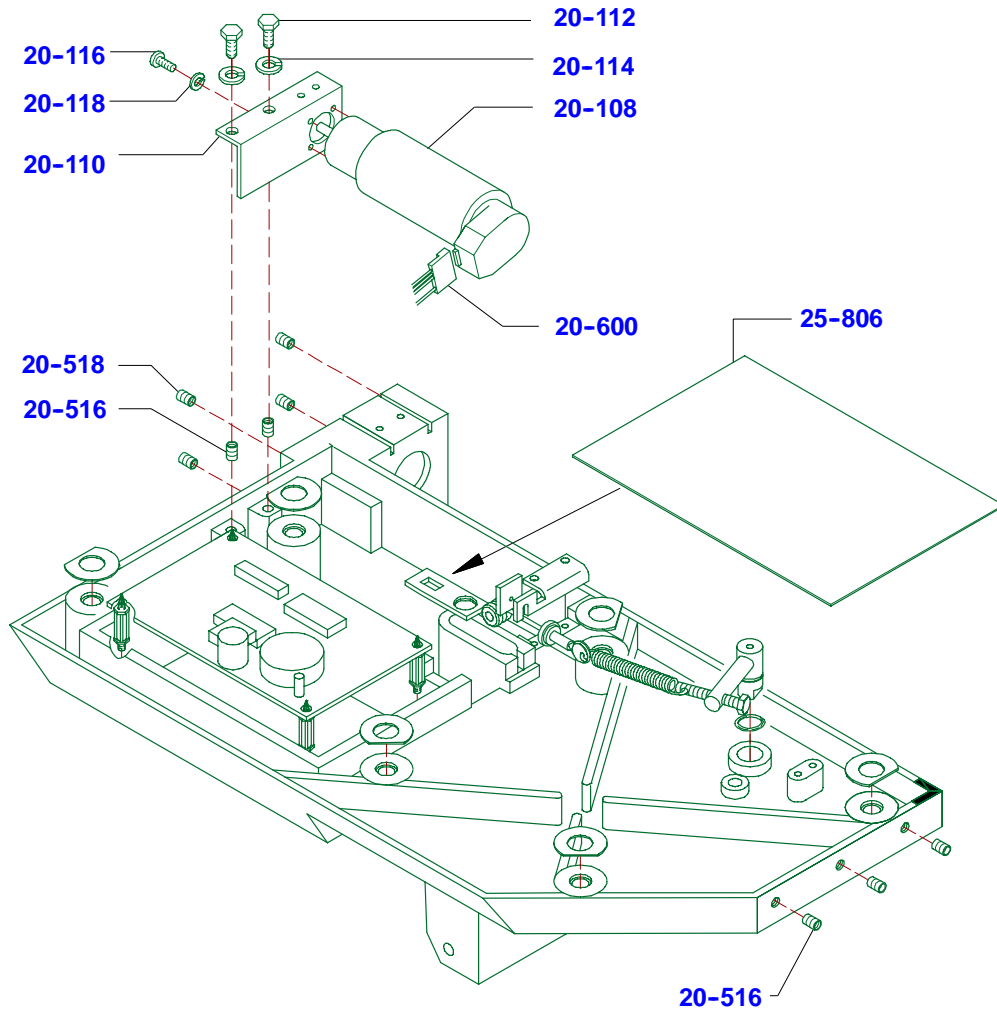
21-850-250-34

**4**

**Special carriage for salmon**  
DNK



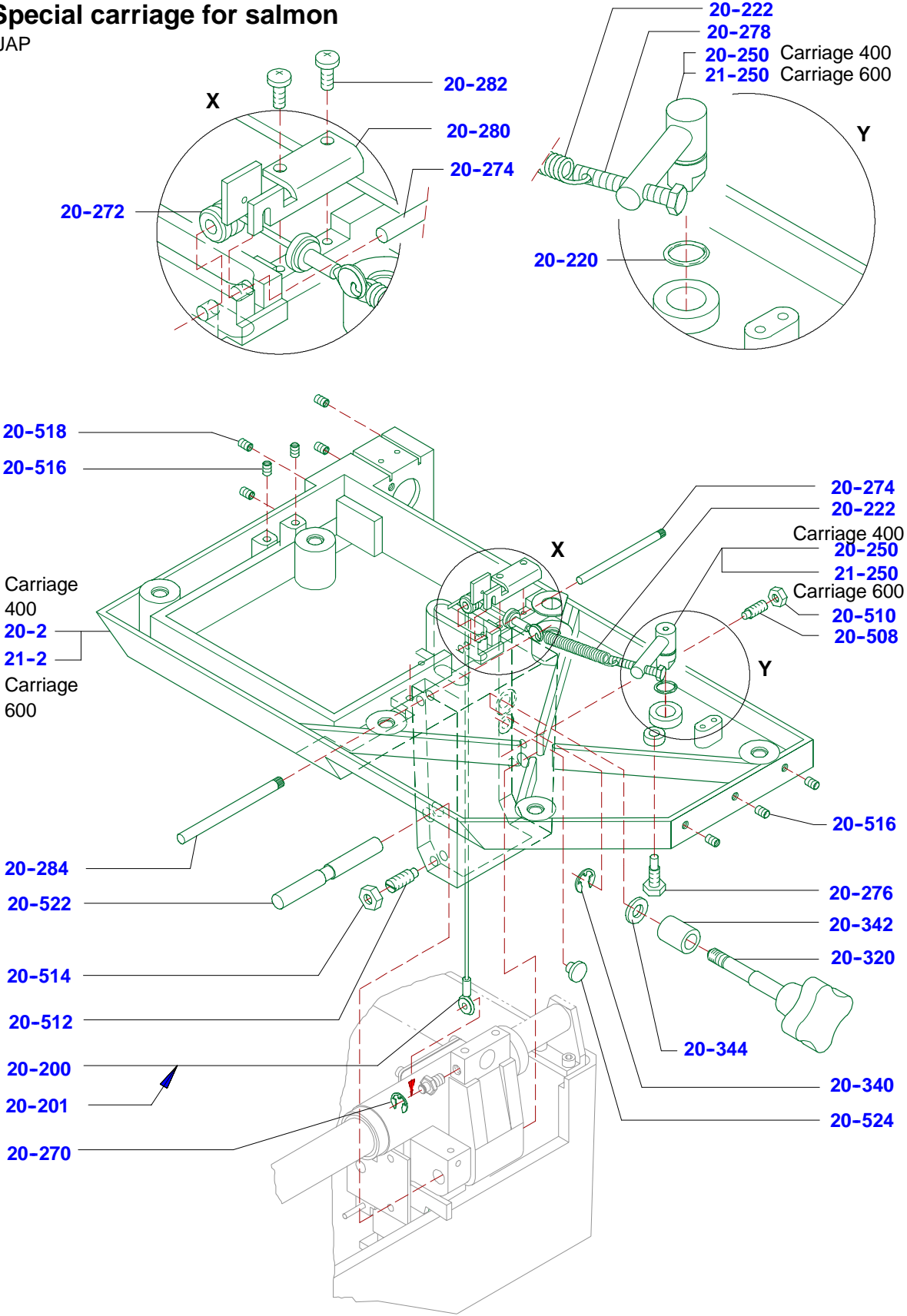
### Special carriage for salmon DNK



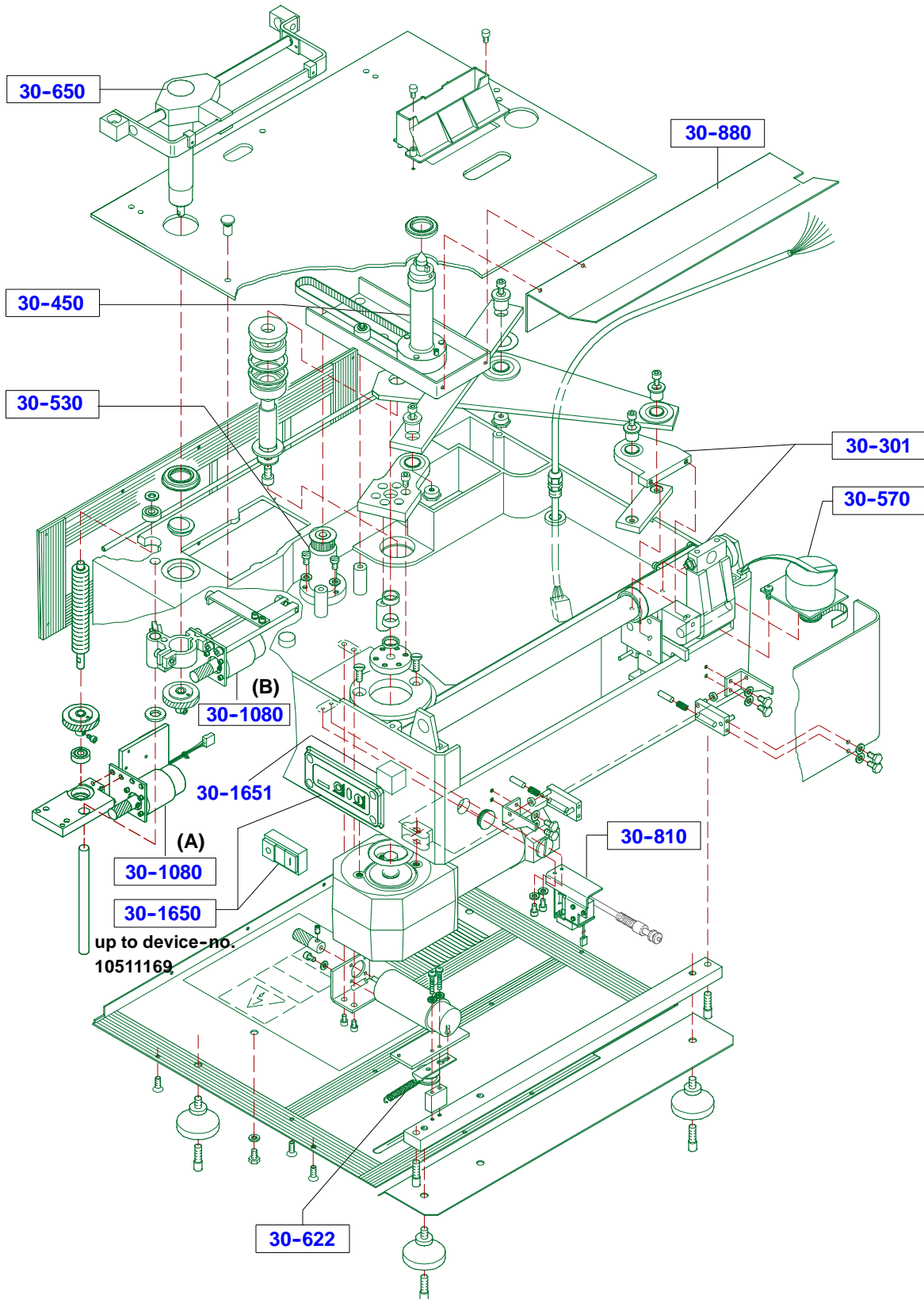
**4**

**Special carriage for salmon**

JAP

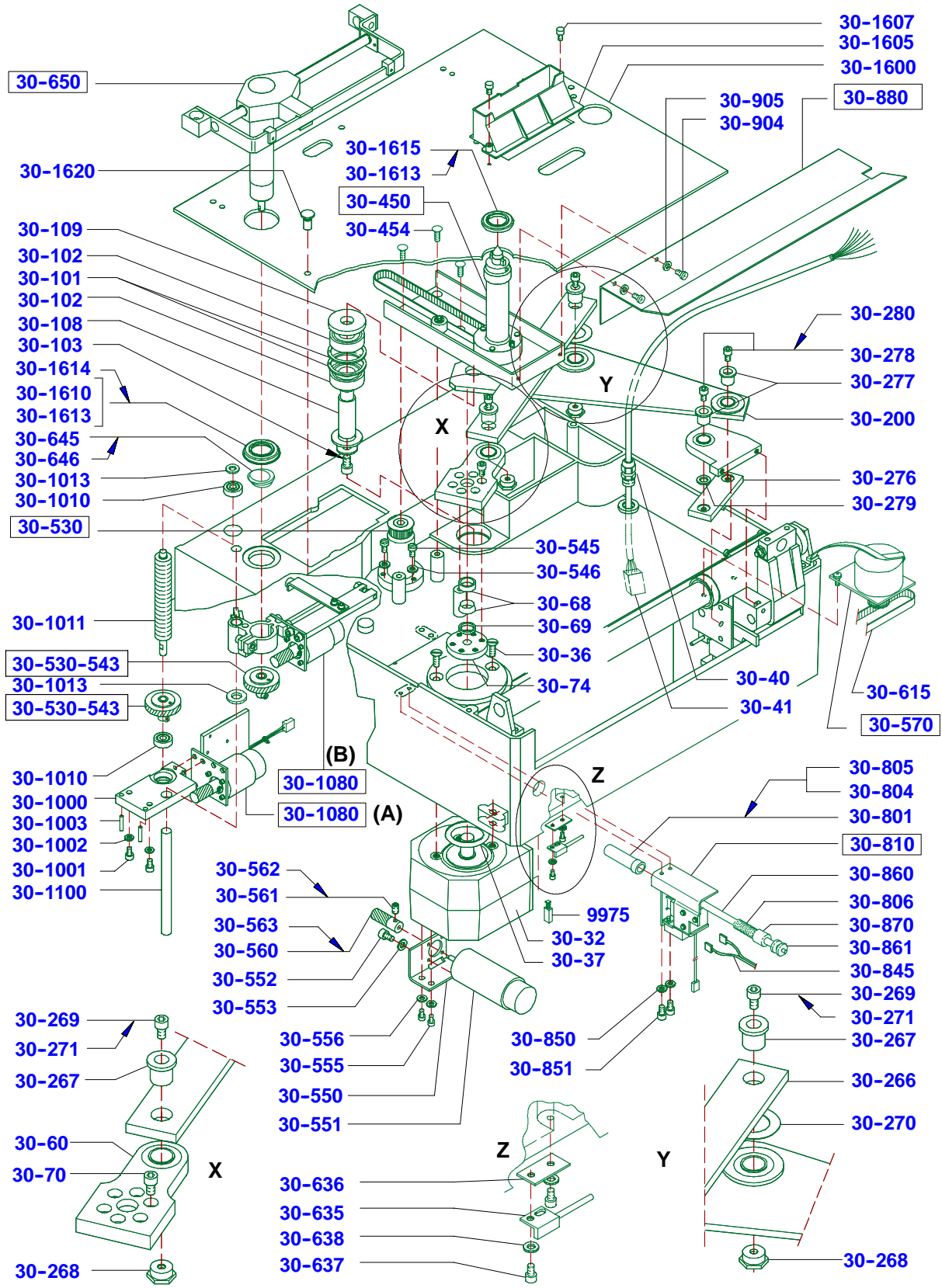


### Drive table

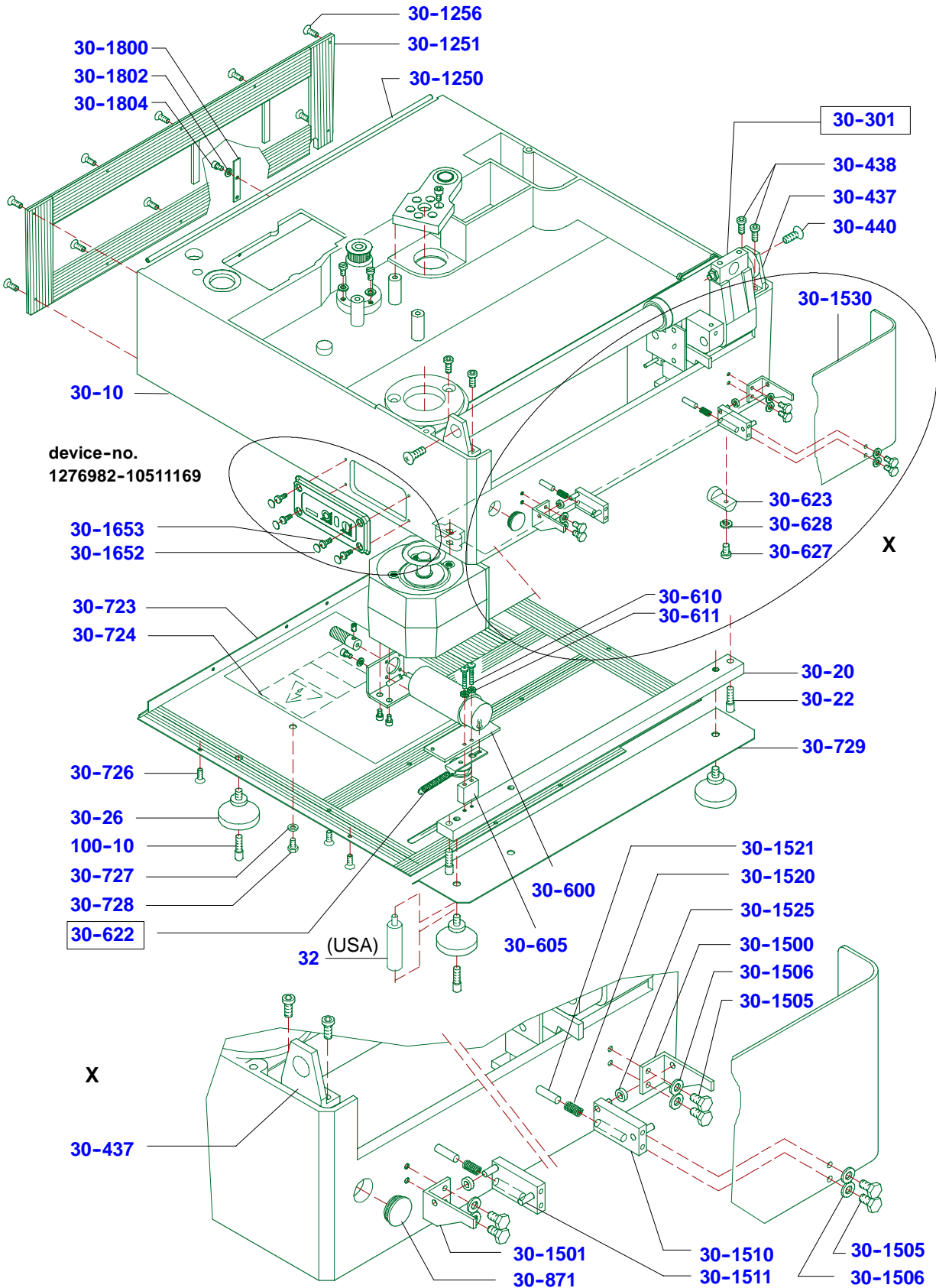


4

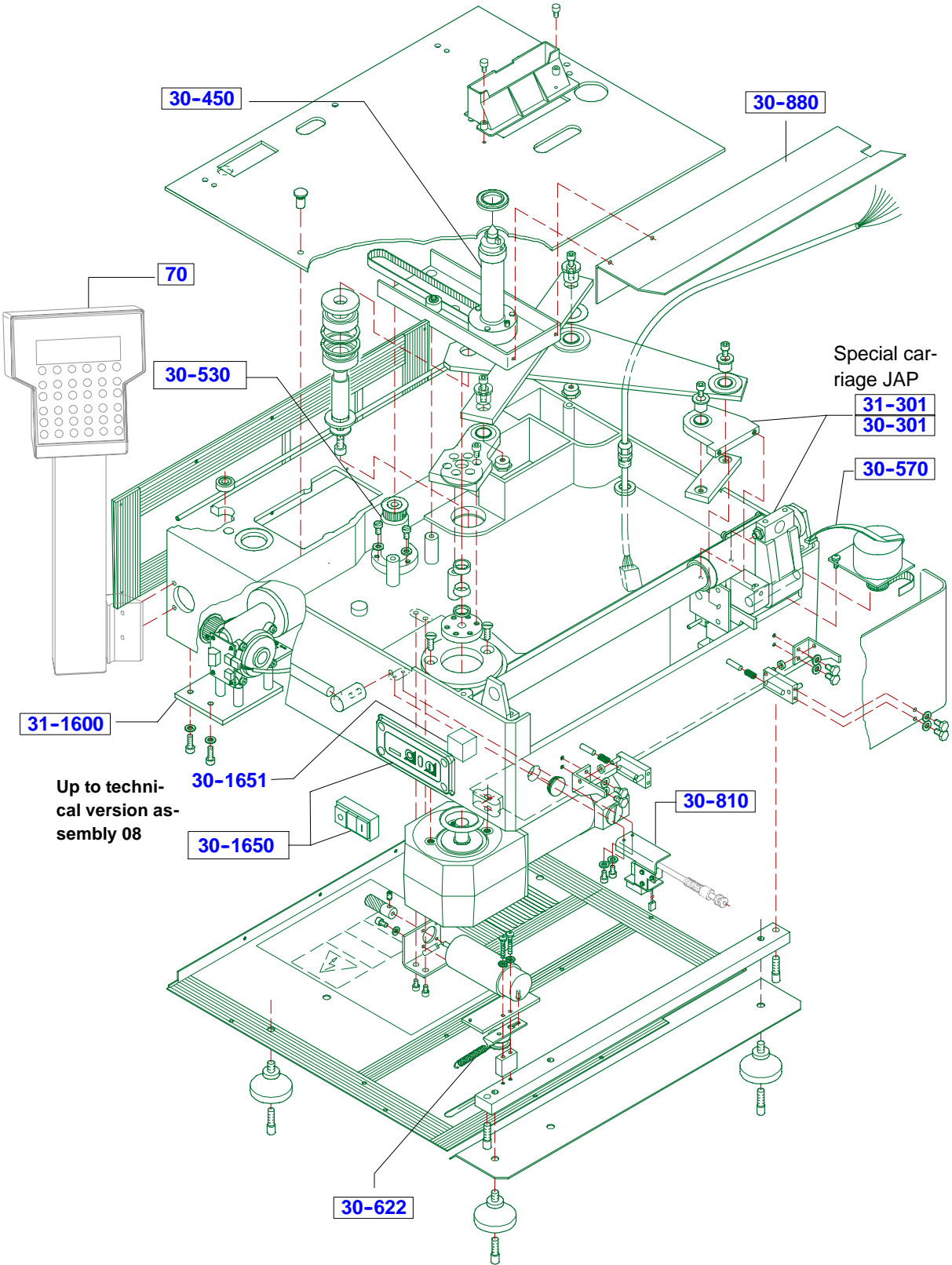
**Drive table**



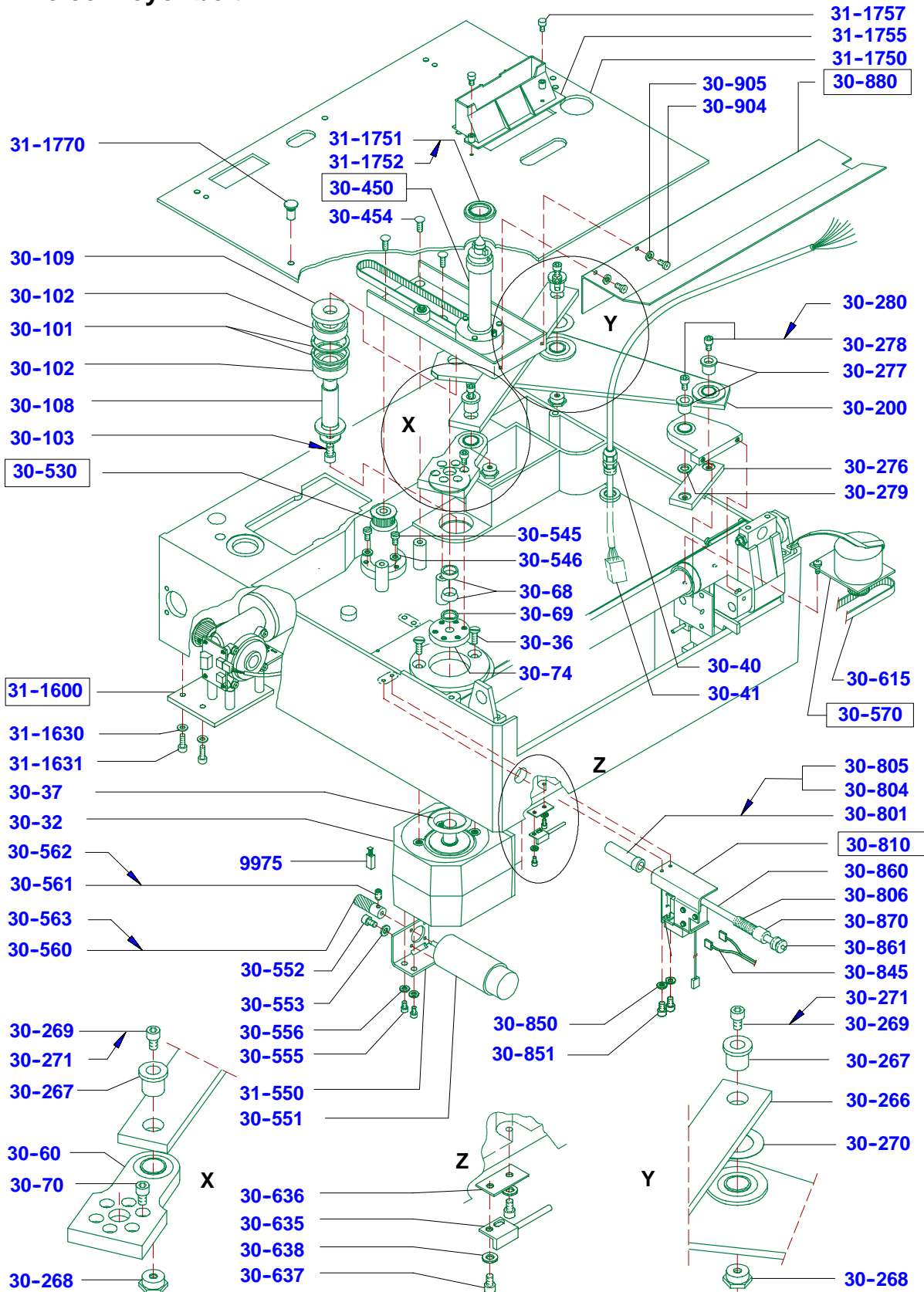
### Drive table



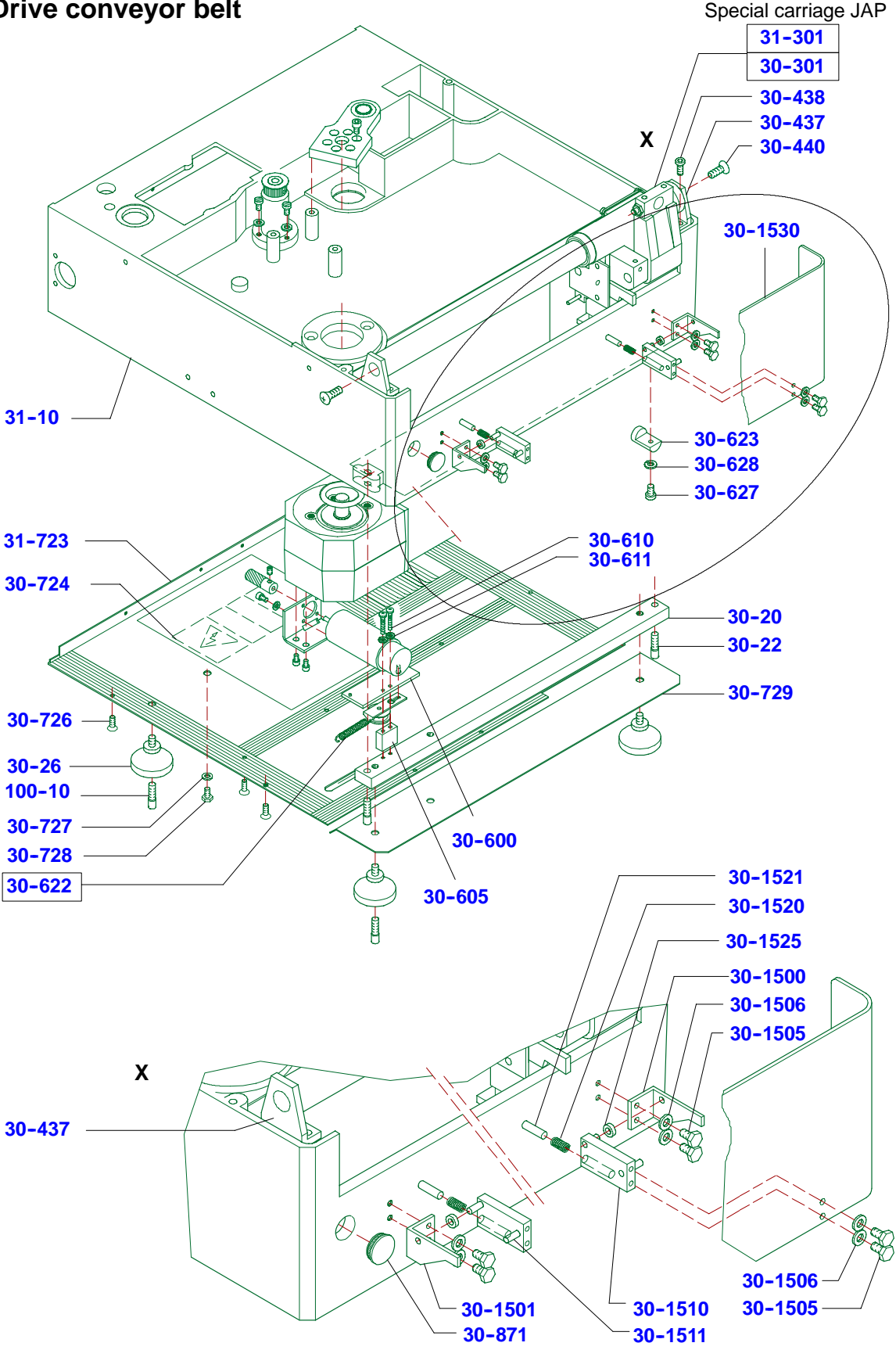
### Drive conveyor belt



Drive conveyor belt

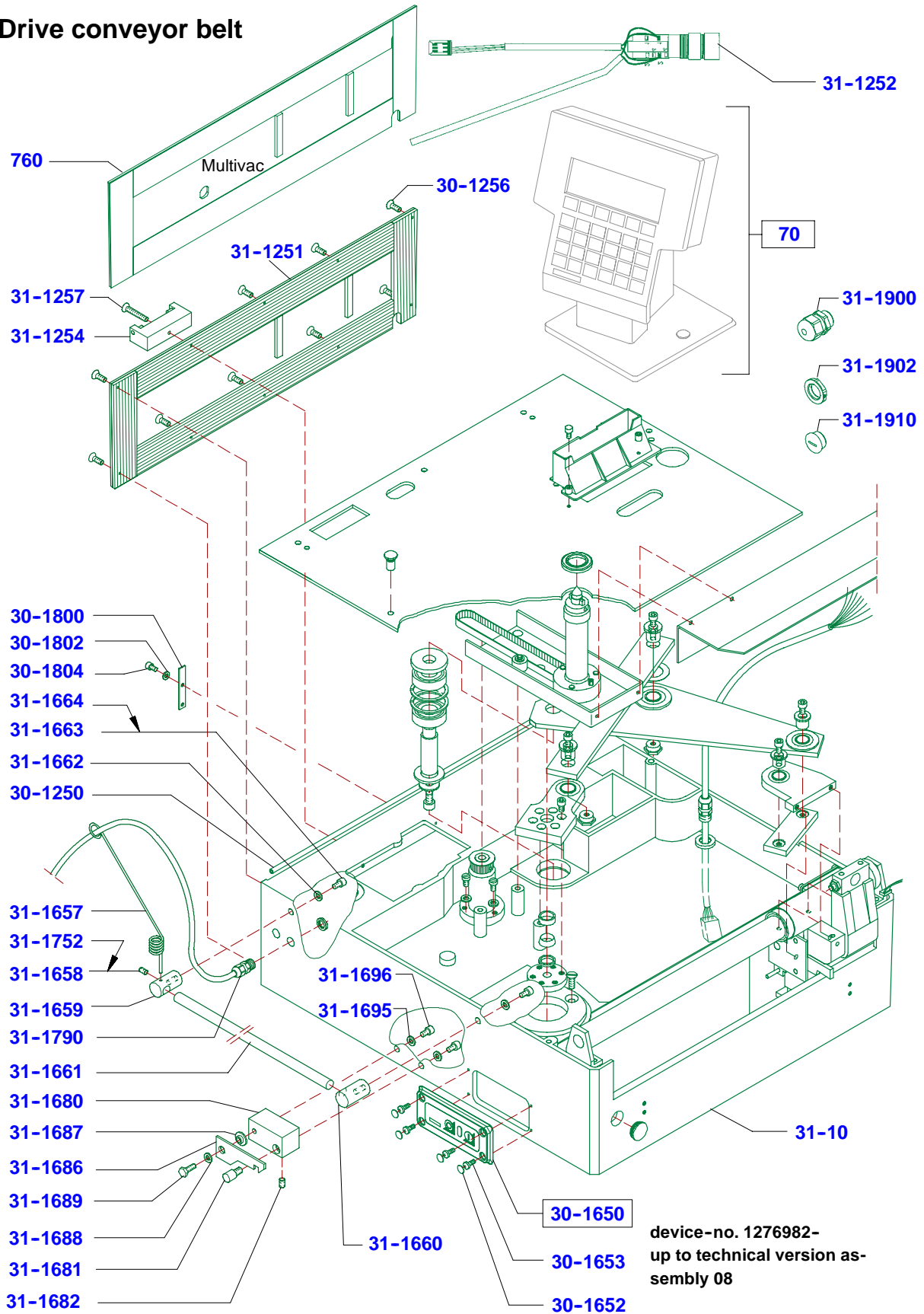


**Drive conveyor belt**

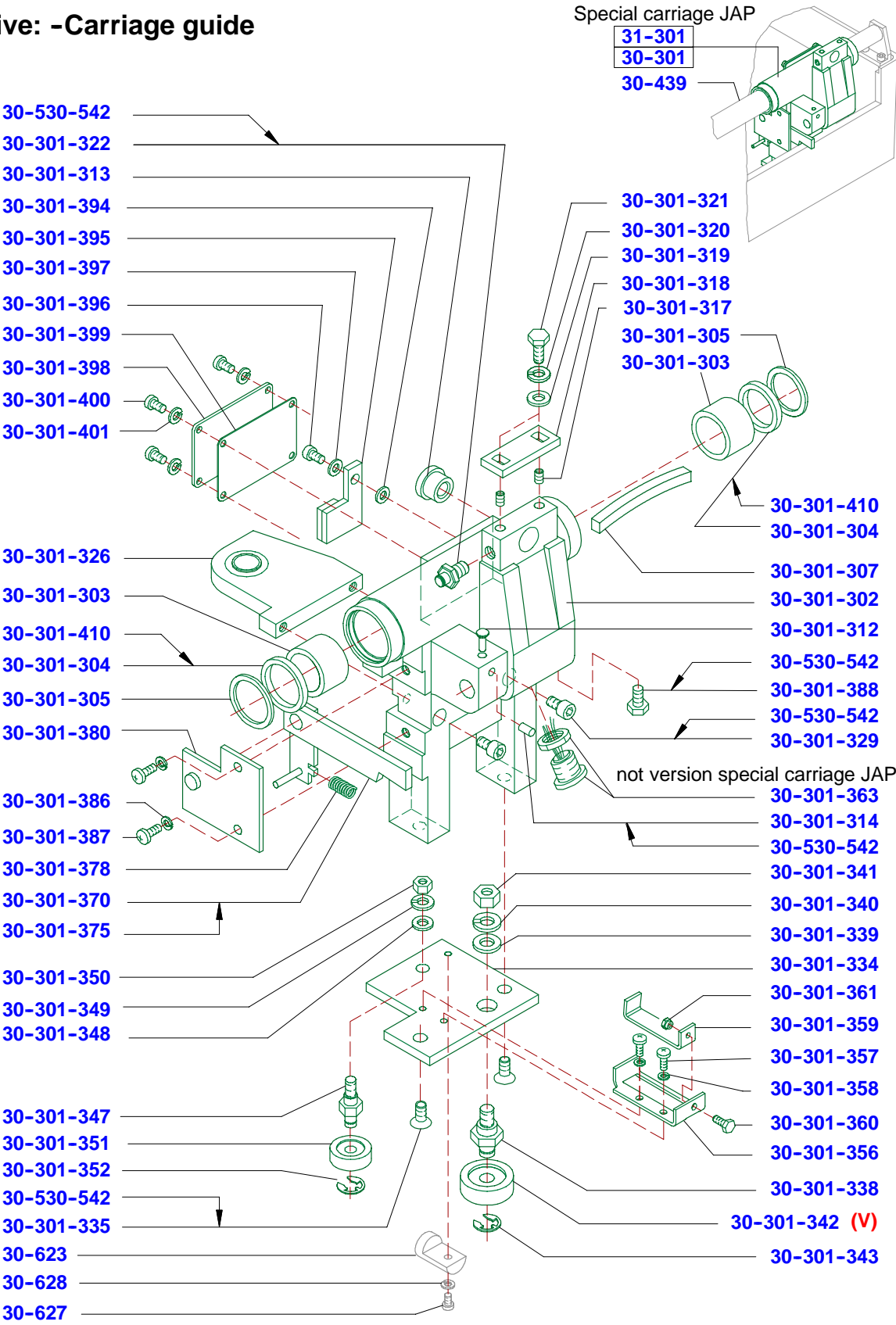


**4**

### Drive conveyor belt

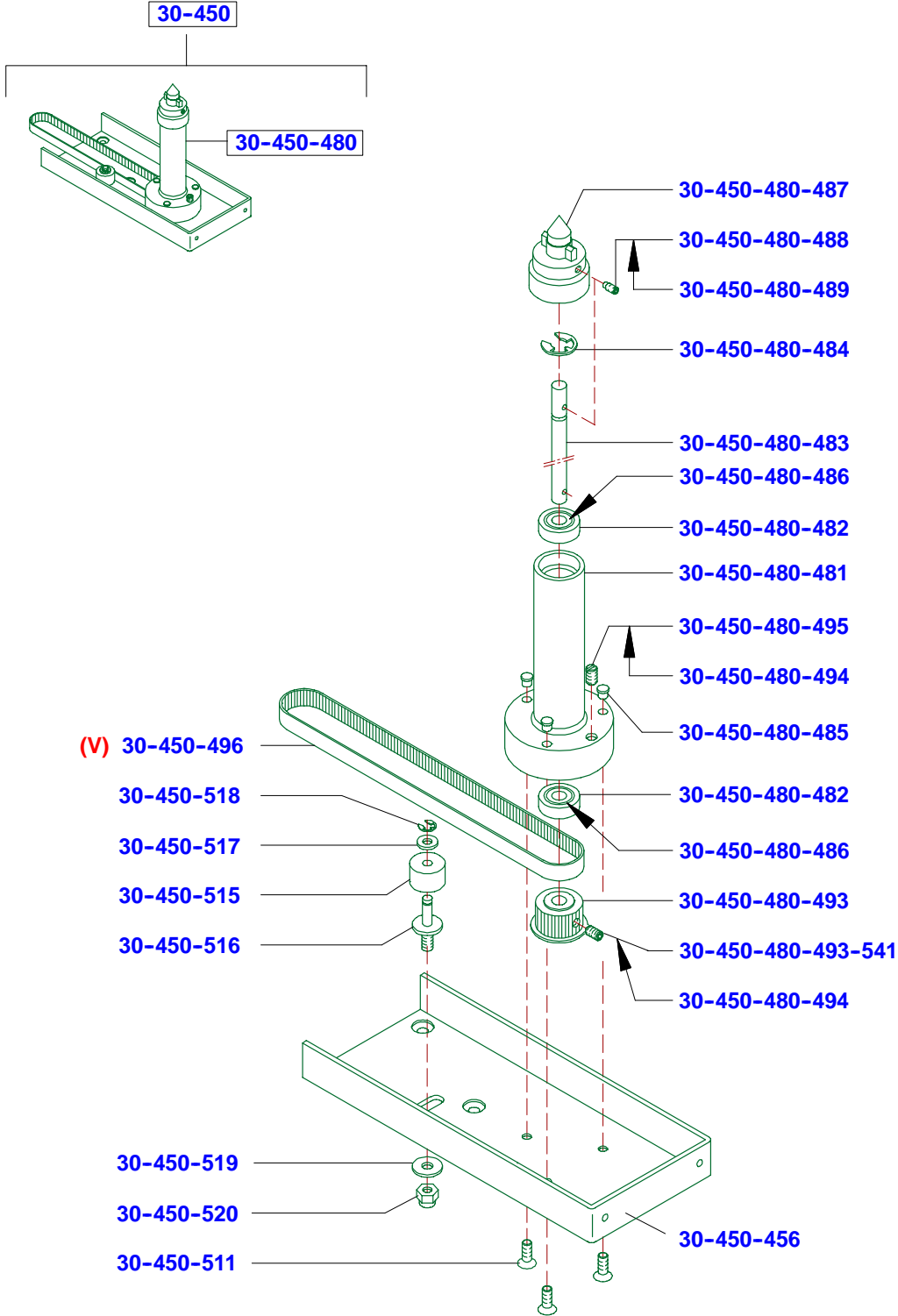


**Drive: -Carriage guide**



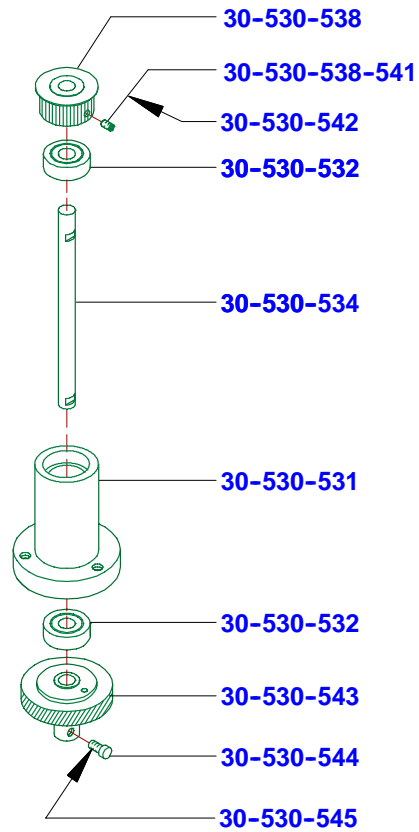
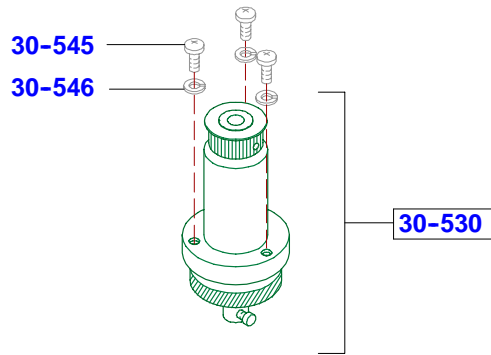
Page of drawing <b>56</b>	<b>A 400 / A 400 FB</b>	Spare parts list No. <b>054.98.3.1013</b>	Series (code No.) <b>90.077</b>
------------------------------	-------------------------	--	------------------------------------

**Drive: -Mounting plate**



**4**

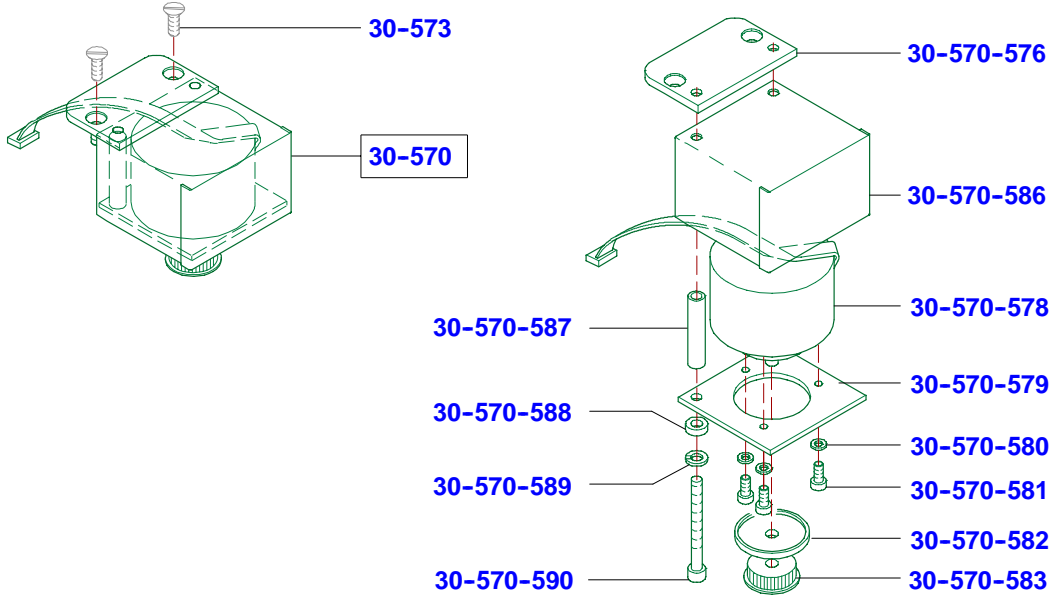
**Drive: -Intermediate bearing**



Page of drawing <b>58</b>	<b>A 400 / A 400 FB</b>	Spare parts list No. <b>054.98.3.1013</b>	Series (code No.) <b>90.077</b>
------------------------------	-------------------------	--	------------------------------------

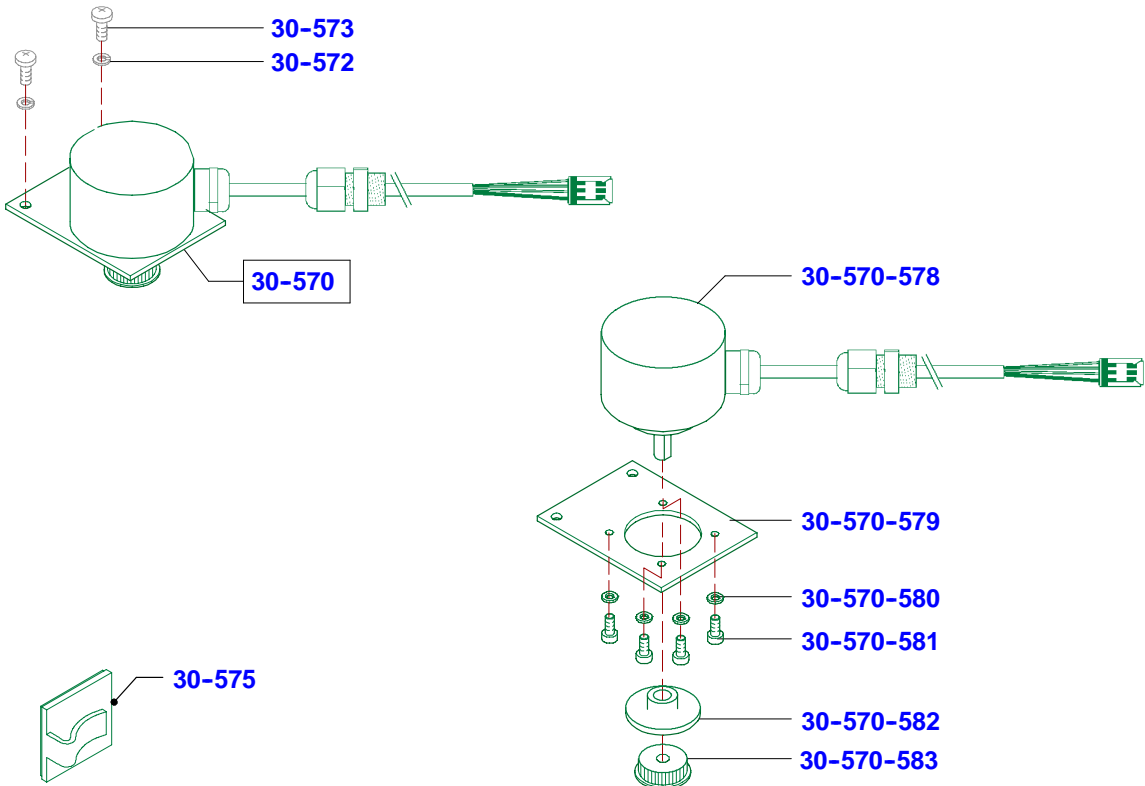
**Drive: -Transducer**

up to device-no. 2162294

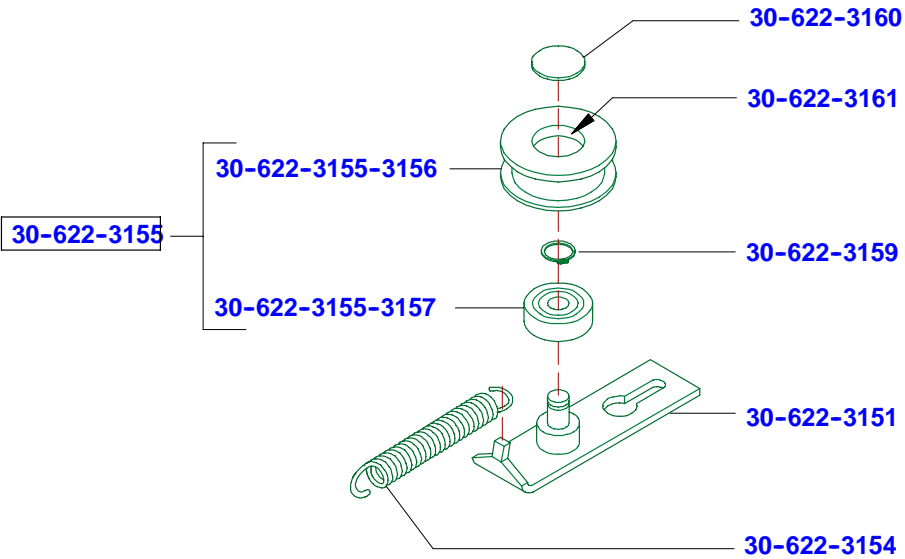
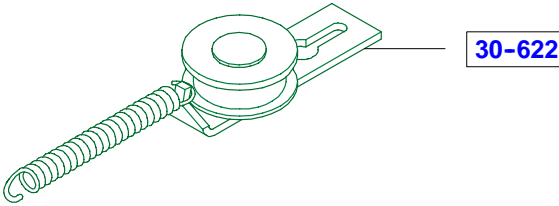


from device-no. 2162295

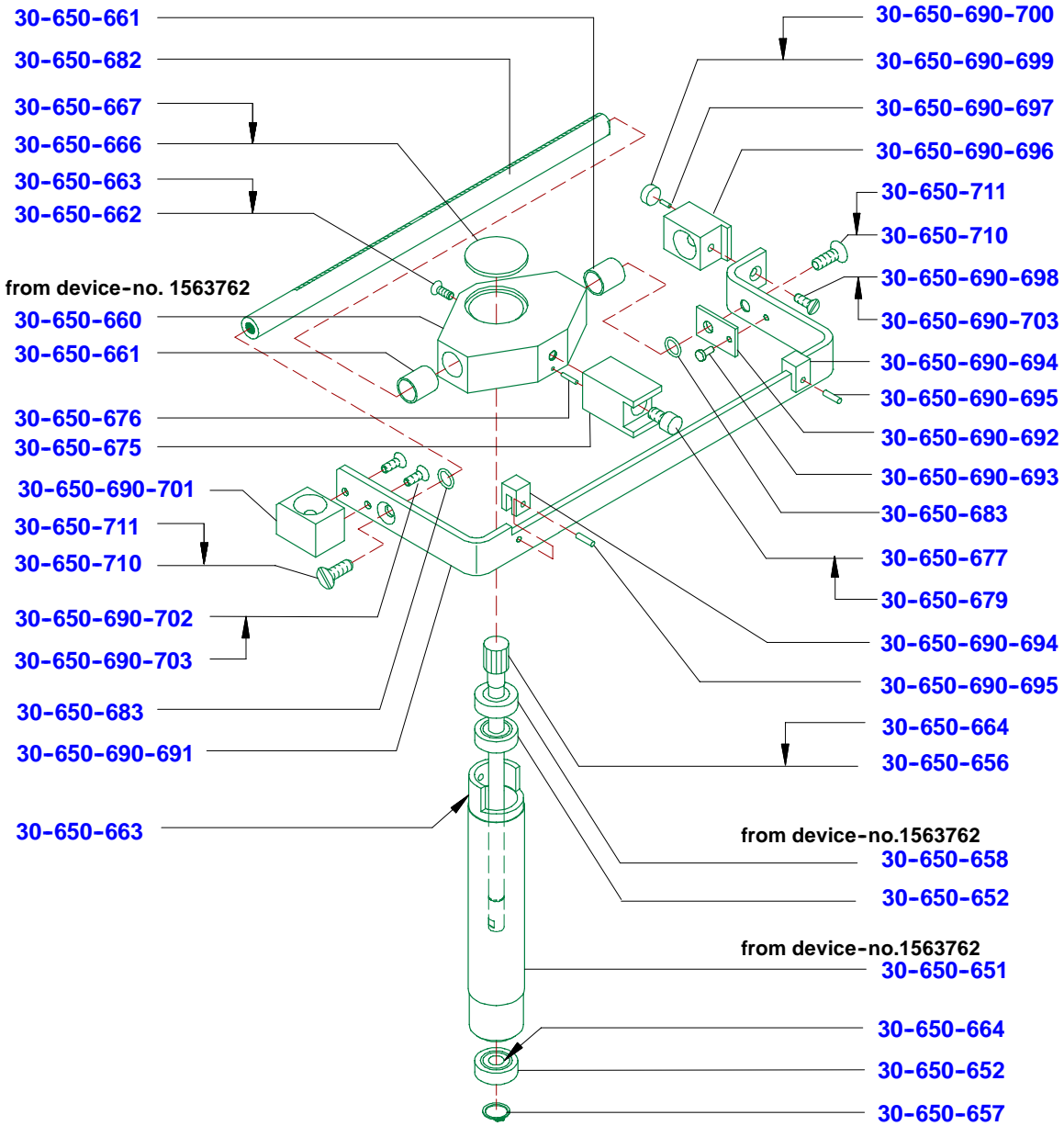
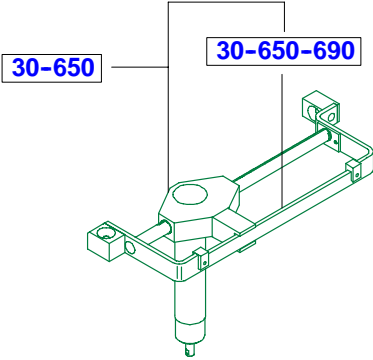
**4**



**Drive: -Clamping plate**

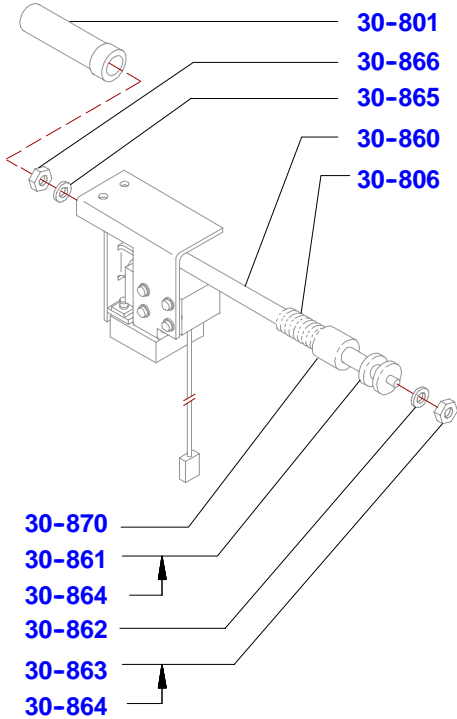


**Drive: -Lifting tube**

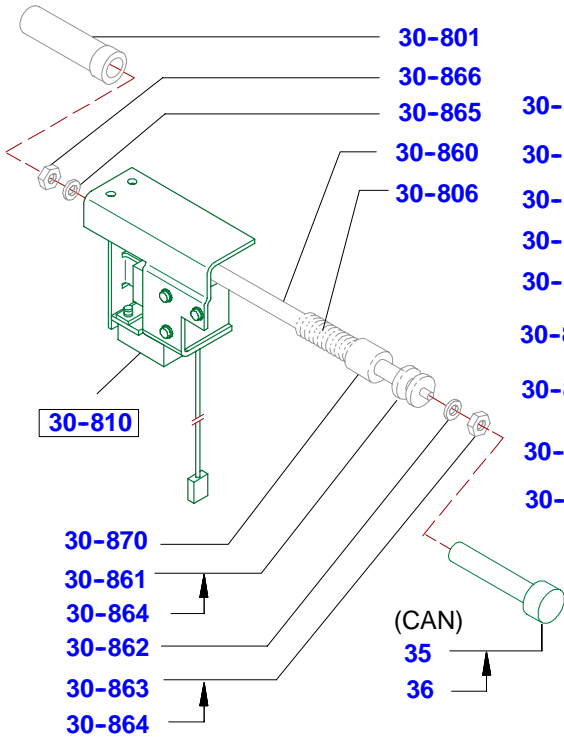
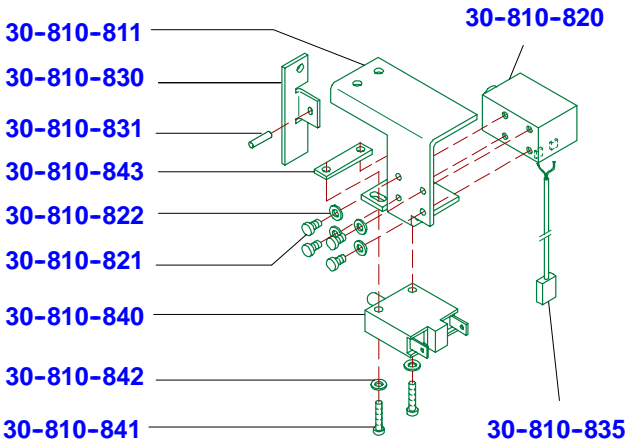


**4**

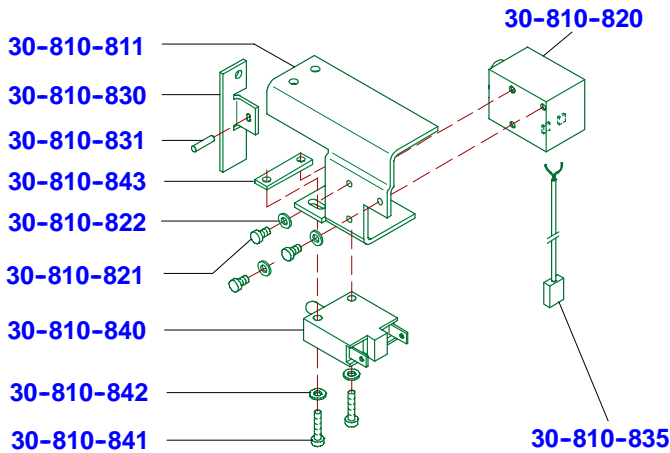
**Drive: -Magnet holder**



up to device-no. 1428858

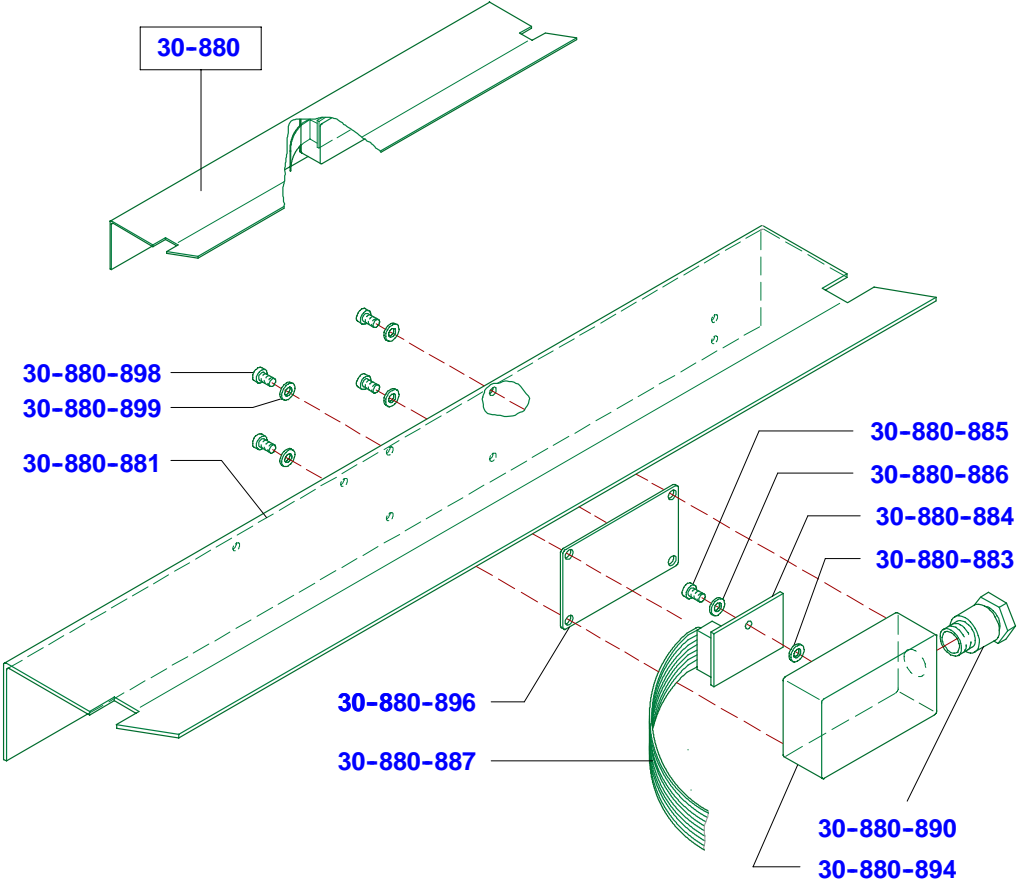


from device-no.1428859

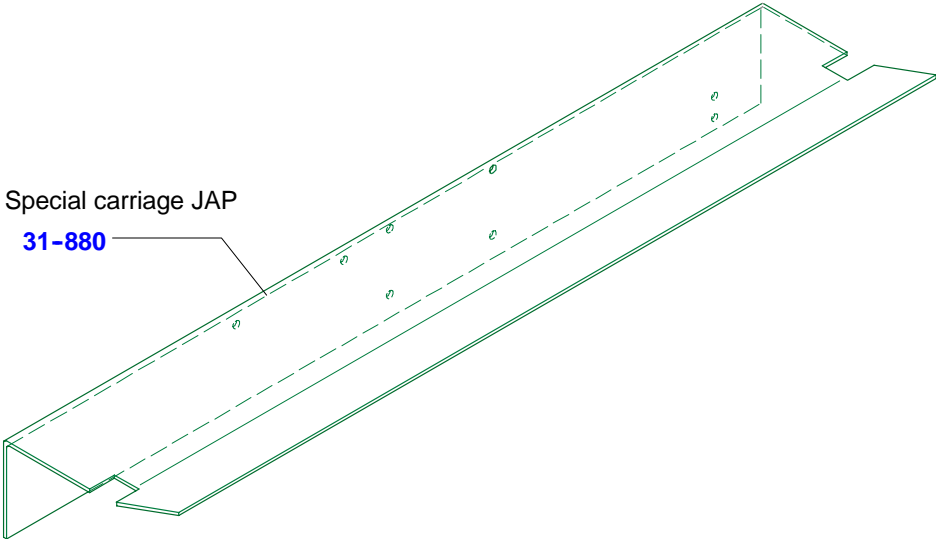


Page of drawing <b>62</b>	<b>A 400 / A 400 FB</b>	Spare parts list No. <b>054.98.3.1013</b>	Series (code No.) <b>90.077</b>
------------------------------	-------------------------	--	------------------------------------

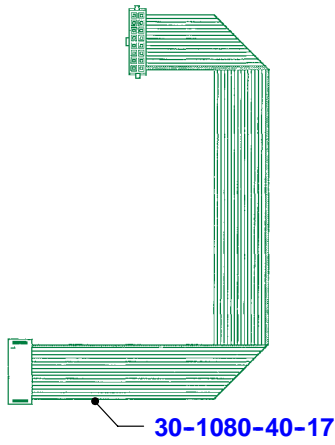
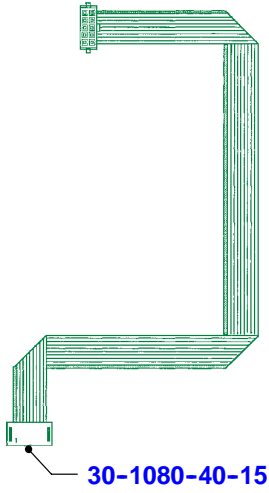
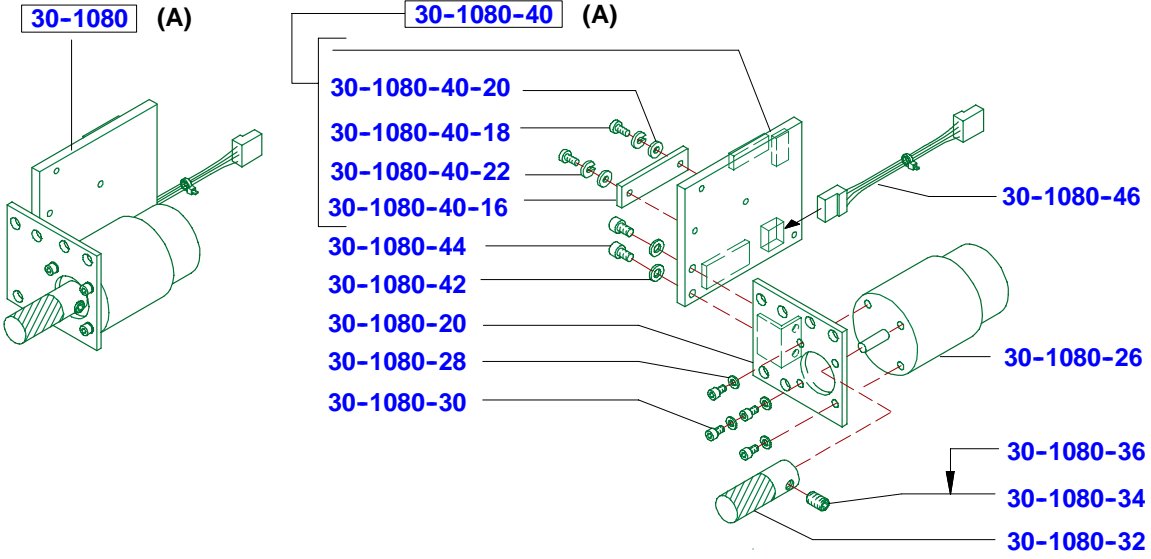
**Drive: -Cable support**



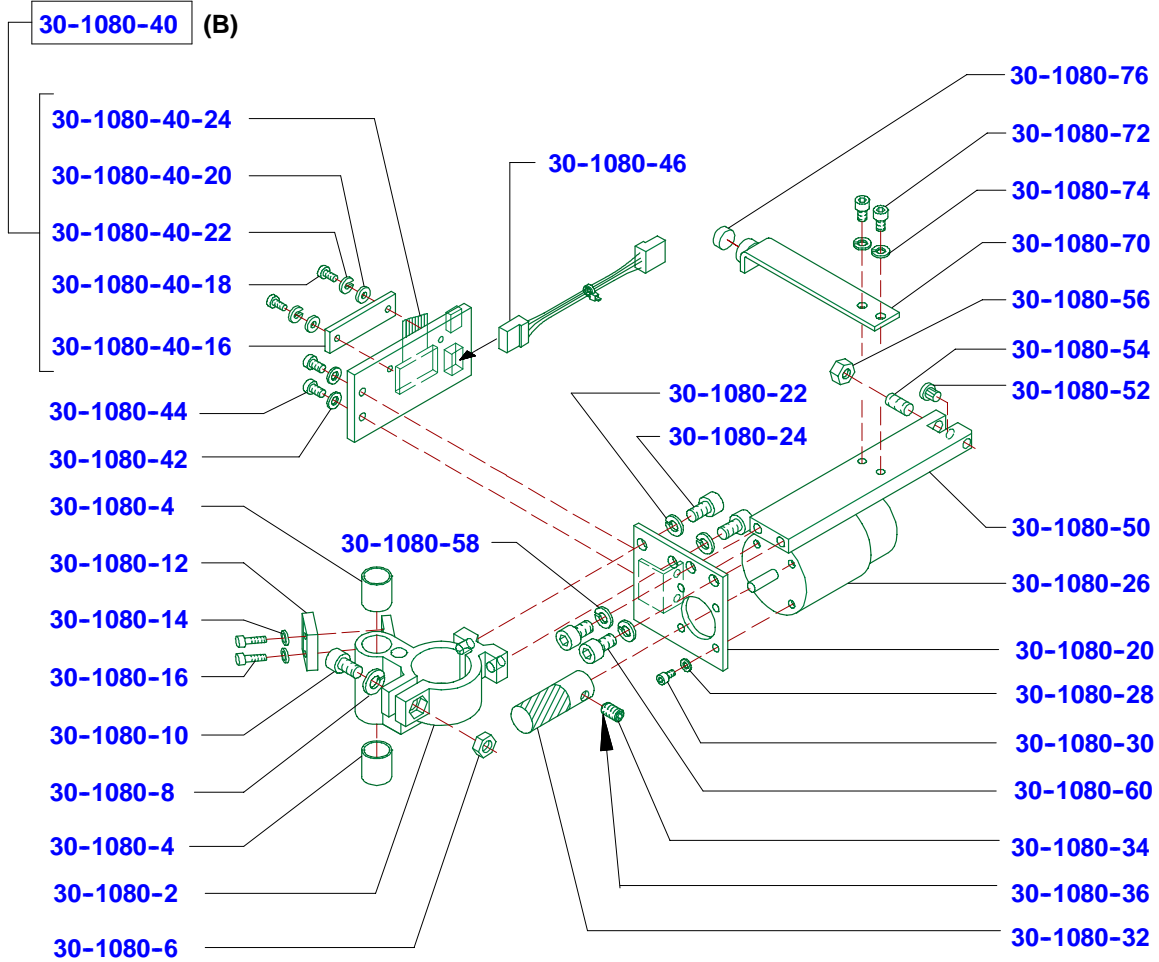
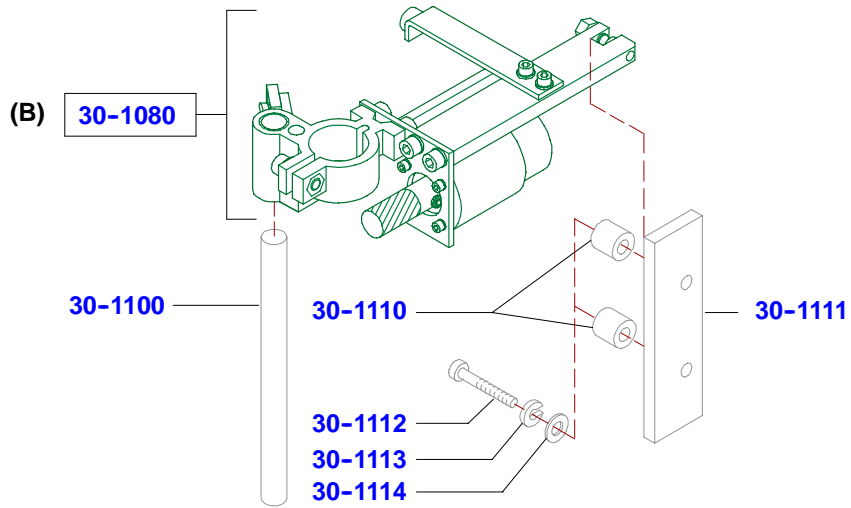
**4**



**Drive: -Table moving system**  
vertical



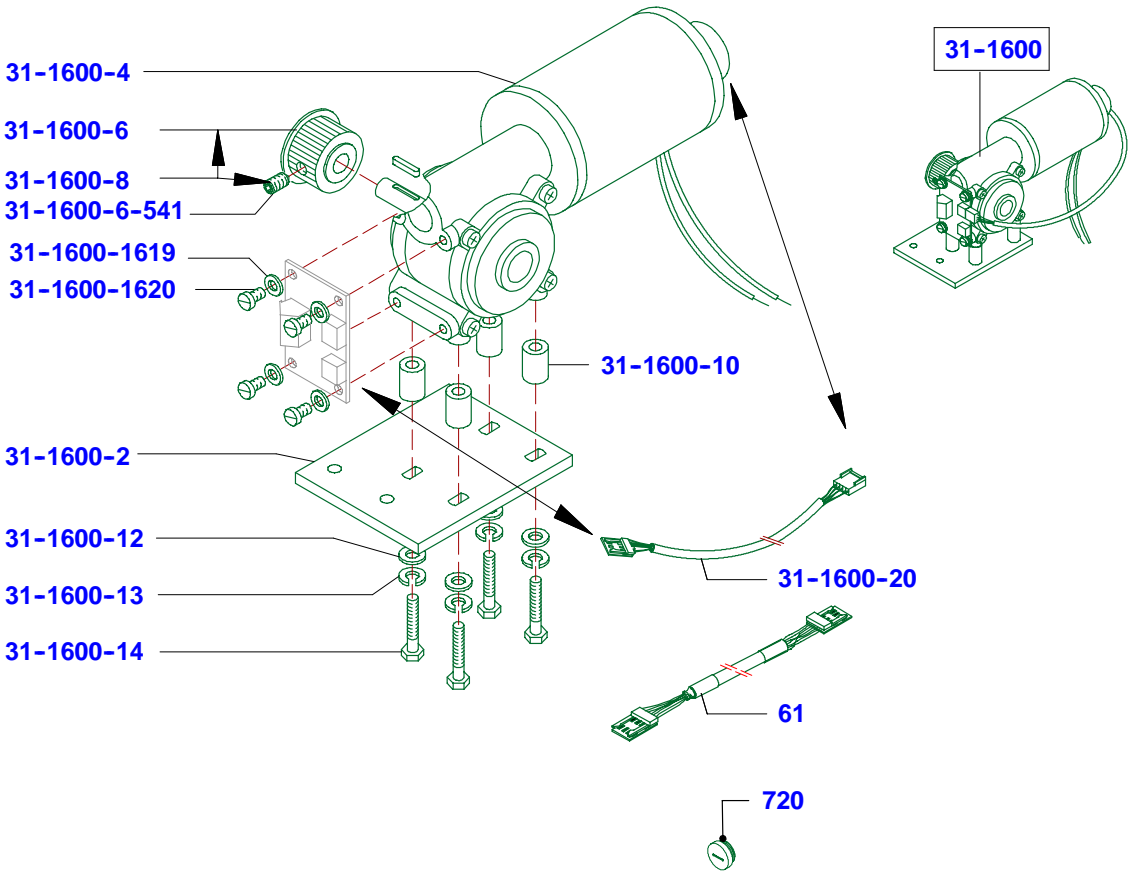
**Drive: -Table moving system**  
horizontal



4

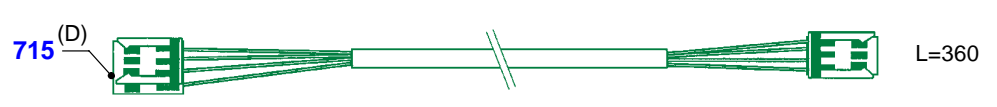
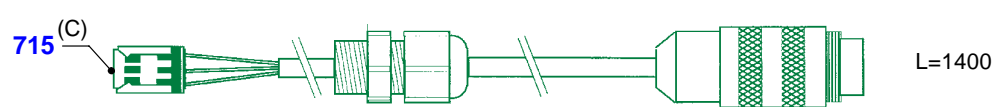
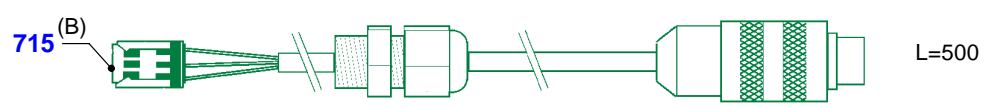
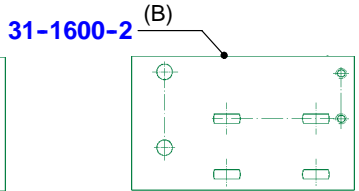
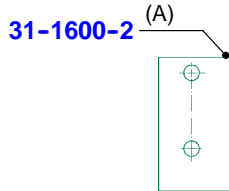
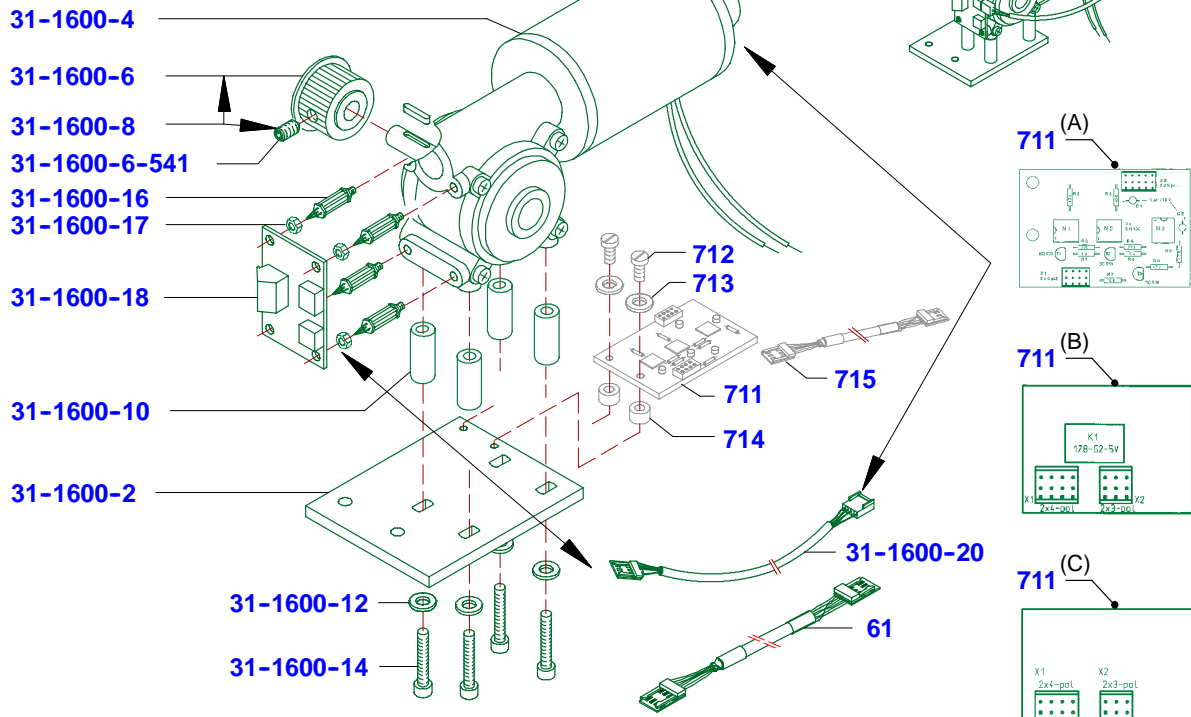
**Drive: -Motor plate**

up to device-no. 1332926



### Drive: -Motor plate

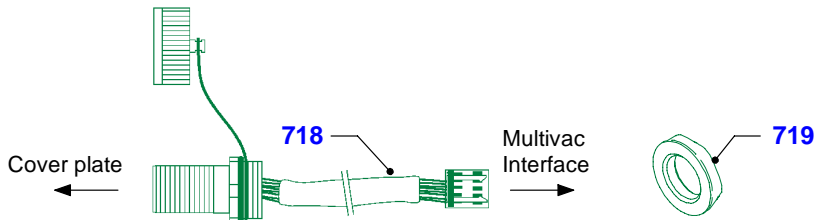
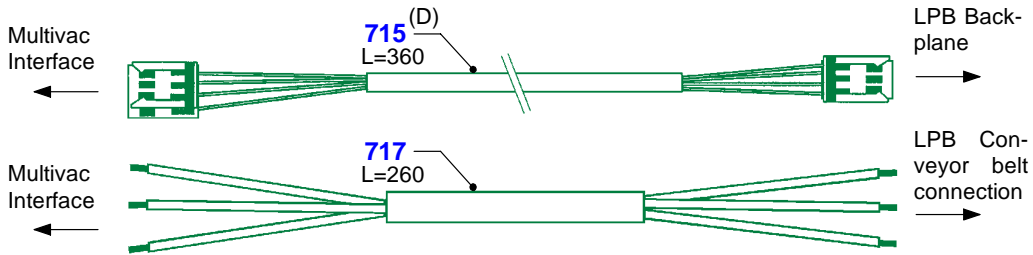
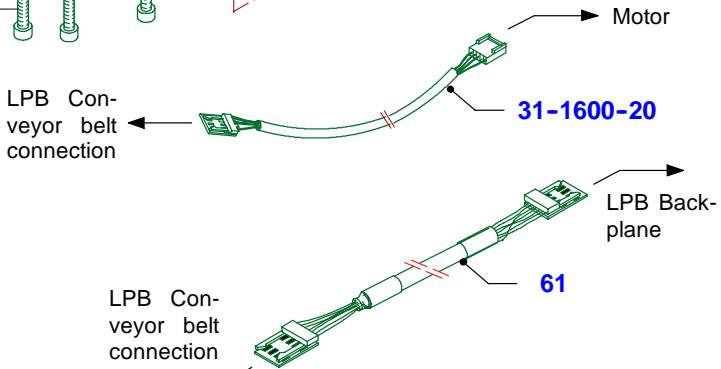
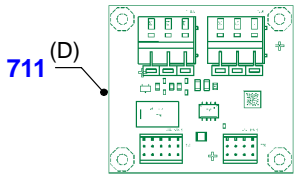
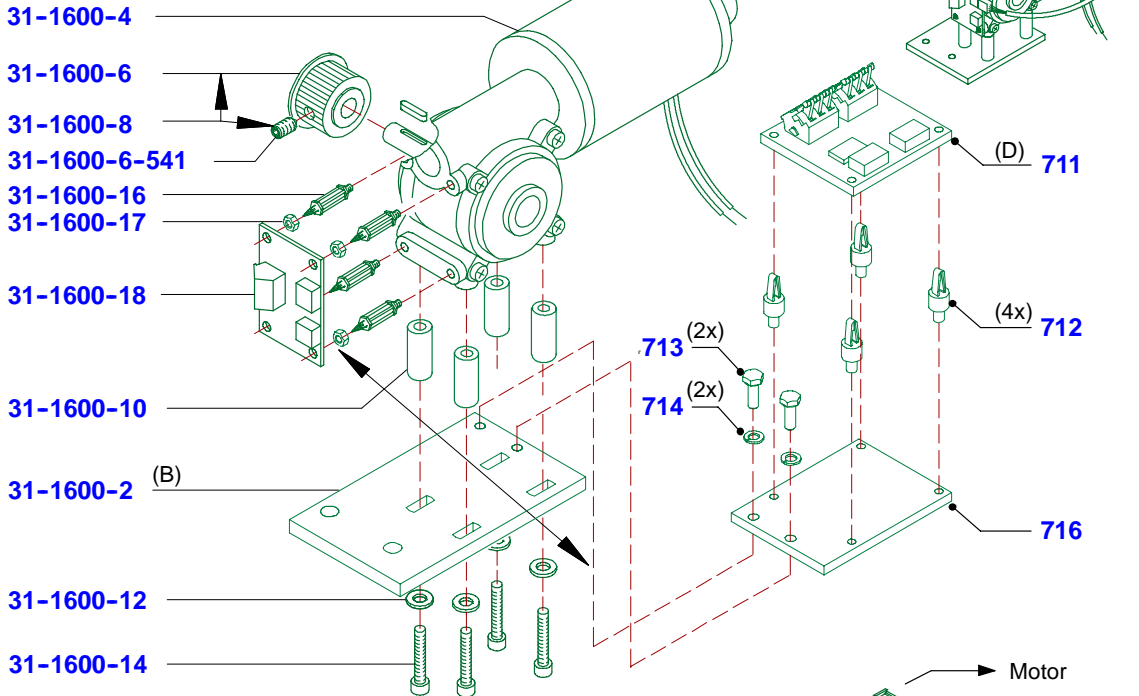
from device-no. 1332927



4

**Drive: -Motor plate**

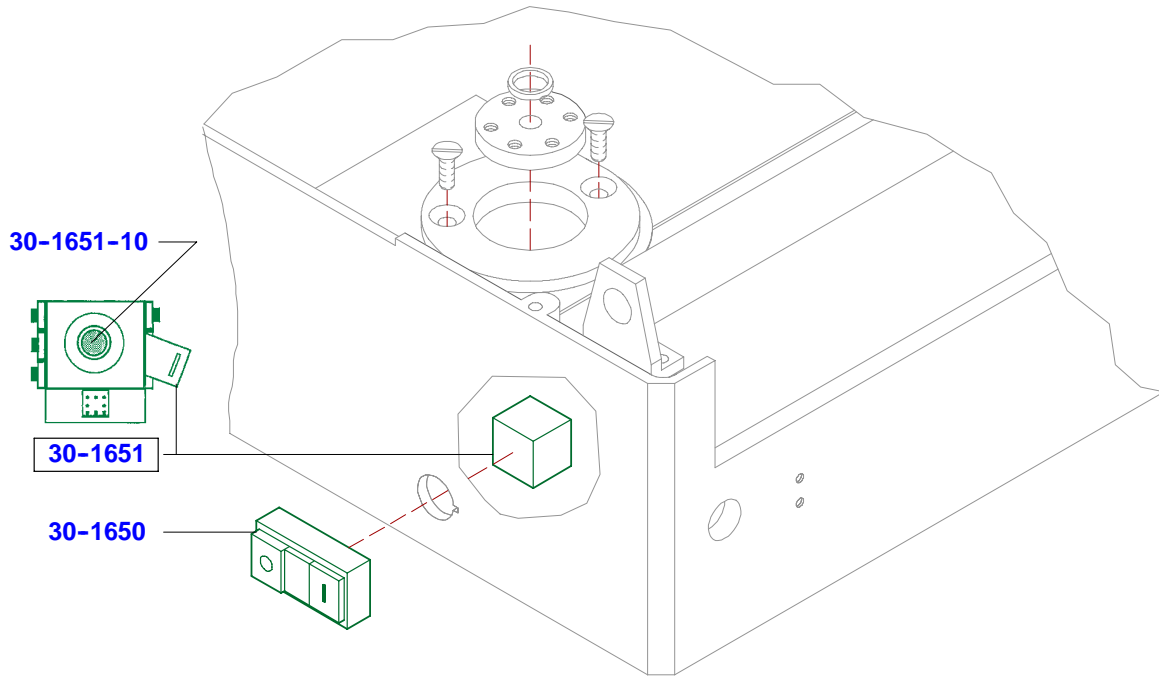
Version Multivac



**4**

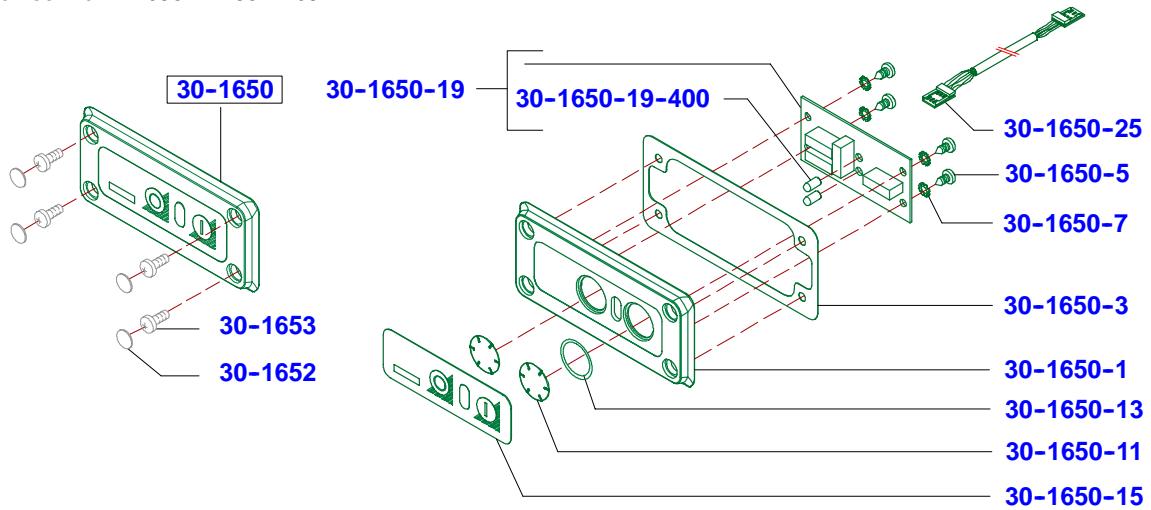
### Drive: -Switch

up to device-no. 1276987

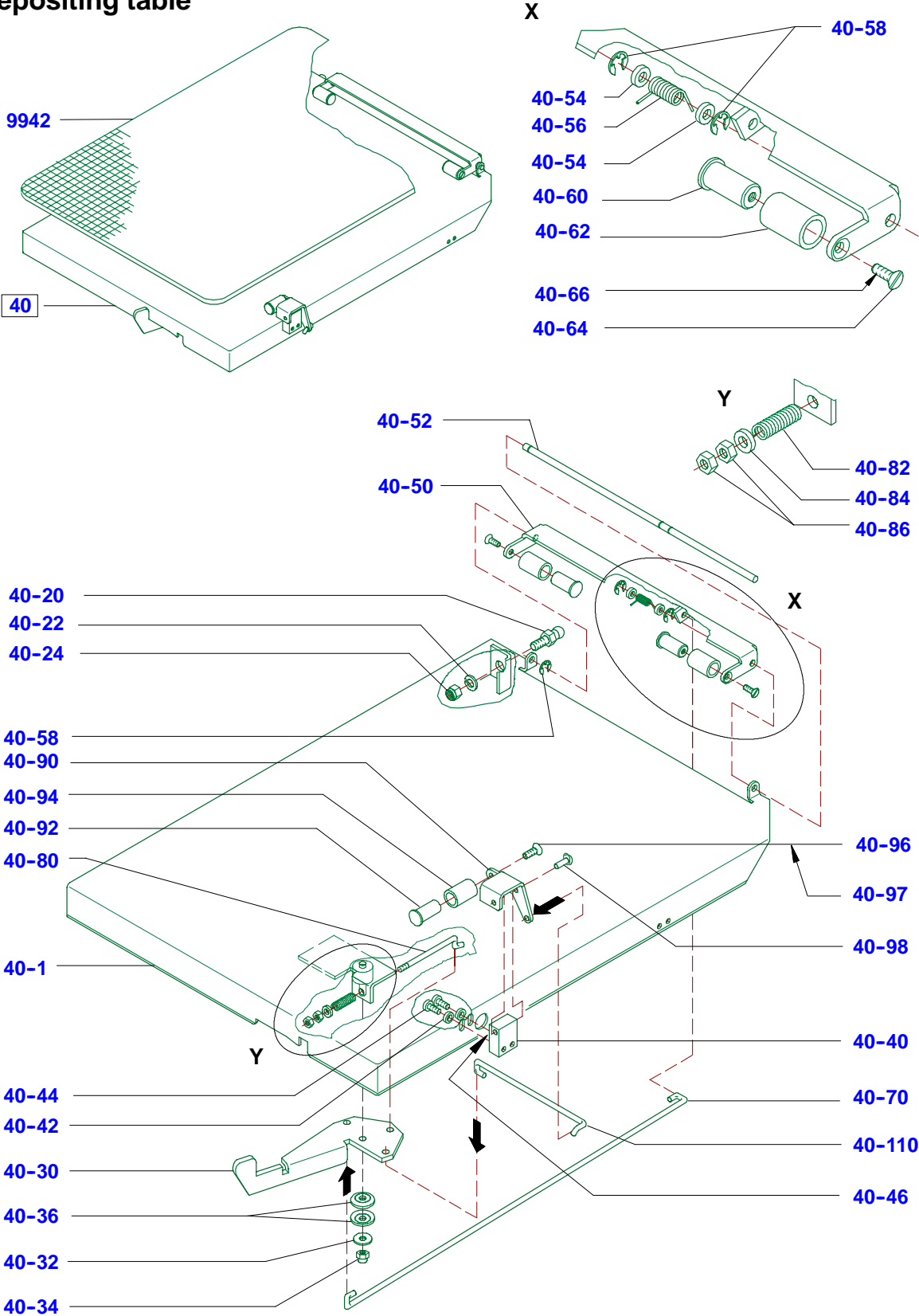


4

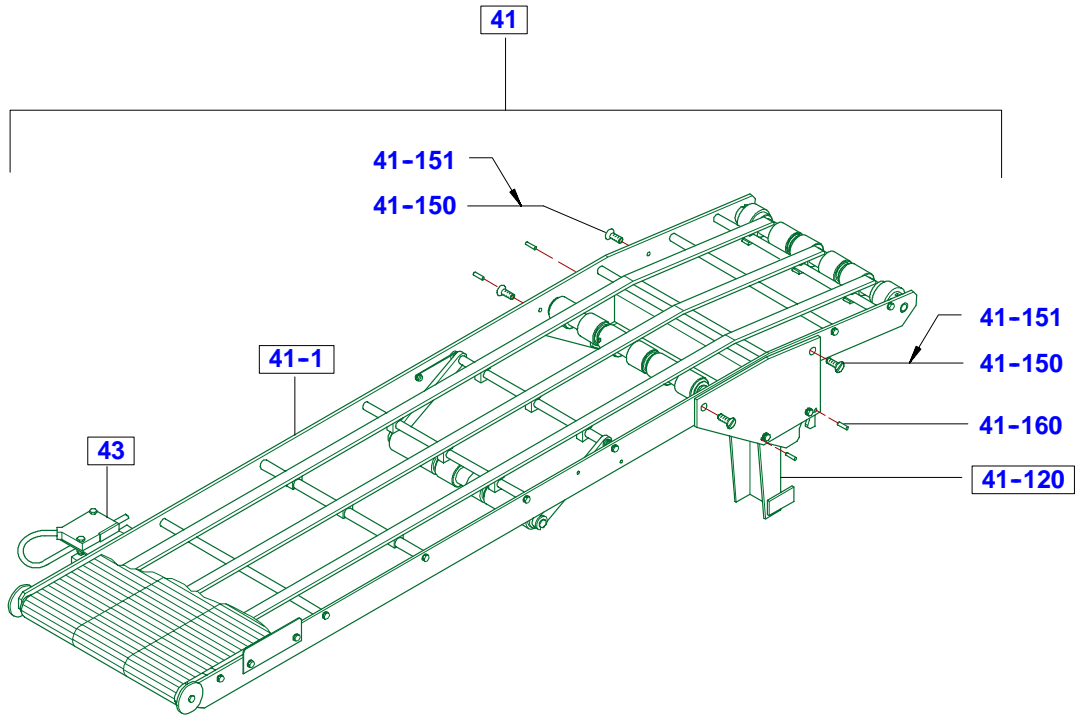
device-no. 1276982 - 10511169



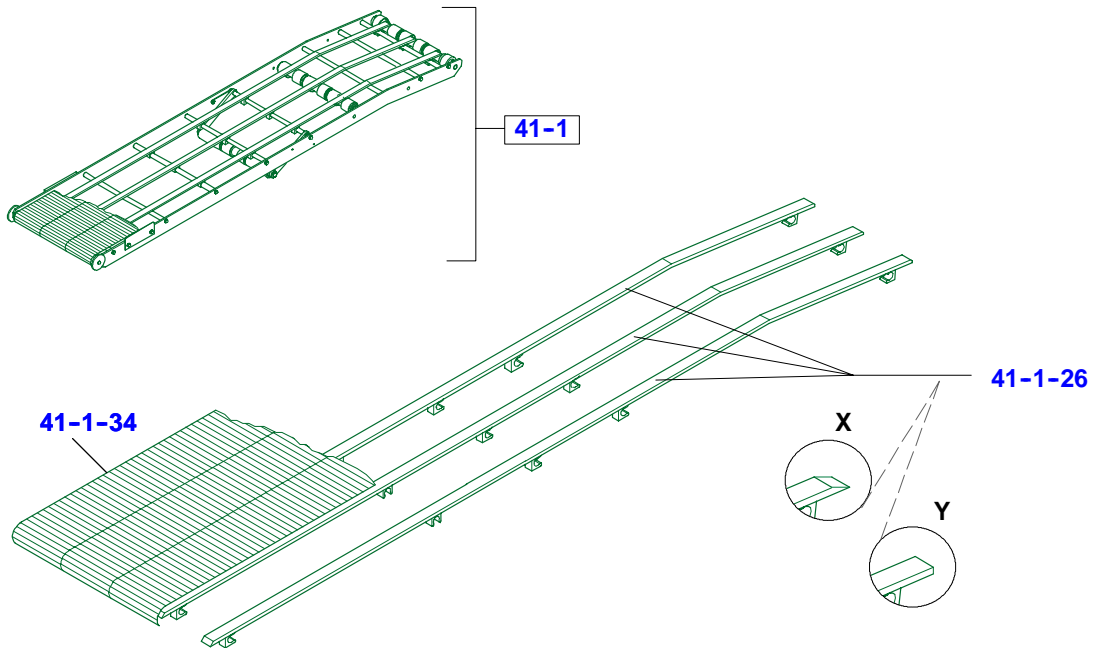
### Depositing table



### Conveyor belt with netting ribbon 1200mm

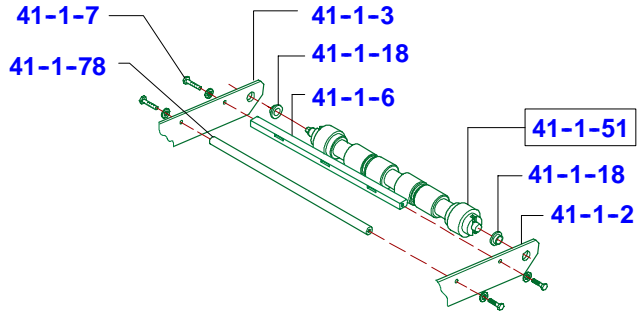


4

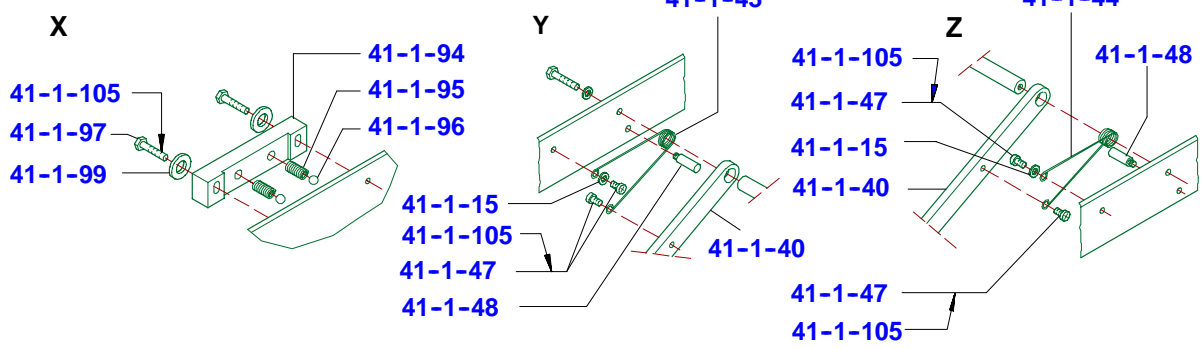
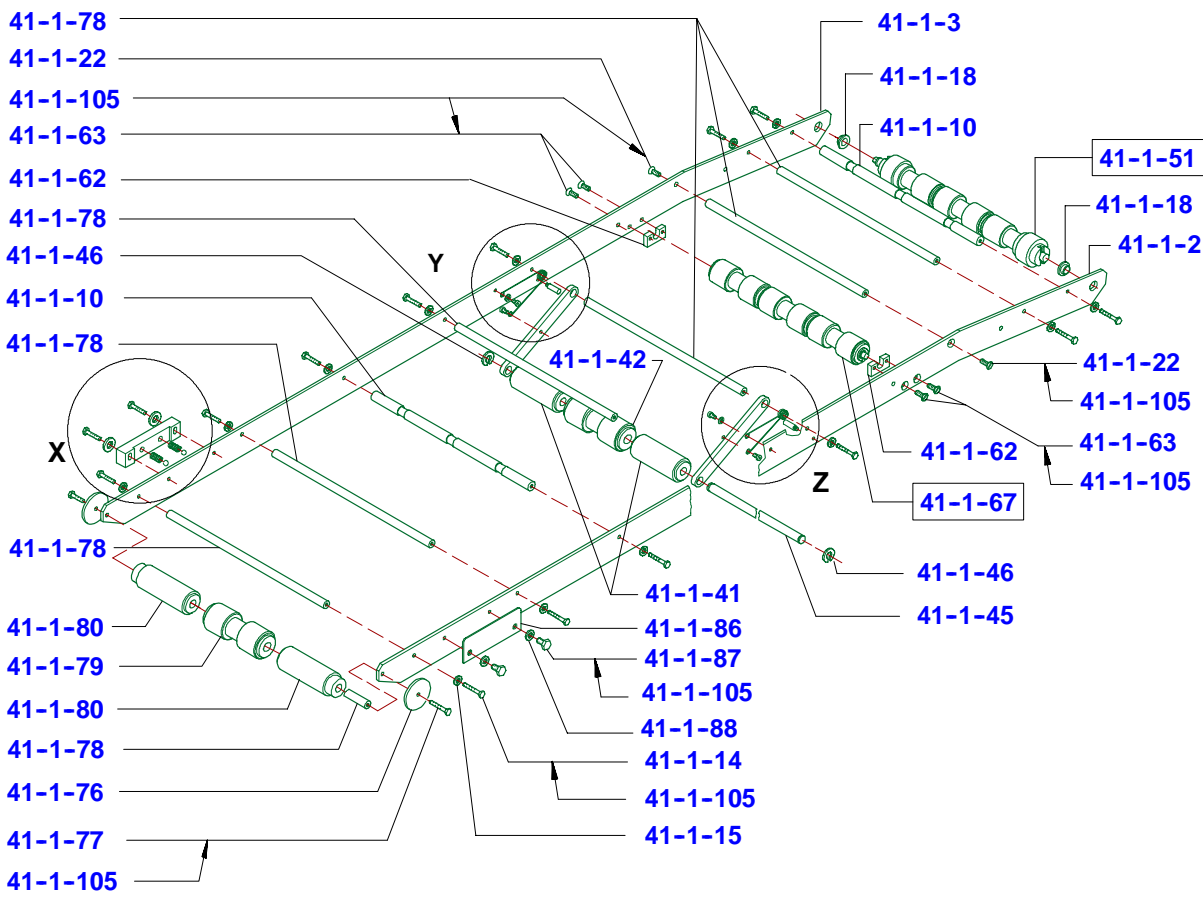


**Conveyor belt with netting ribbon**  
1200mm

up to device-no. 1537085

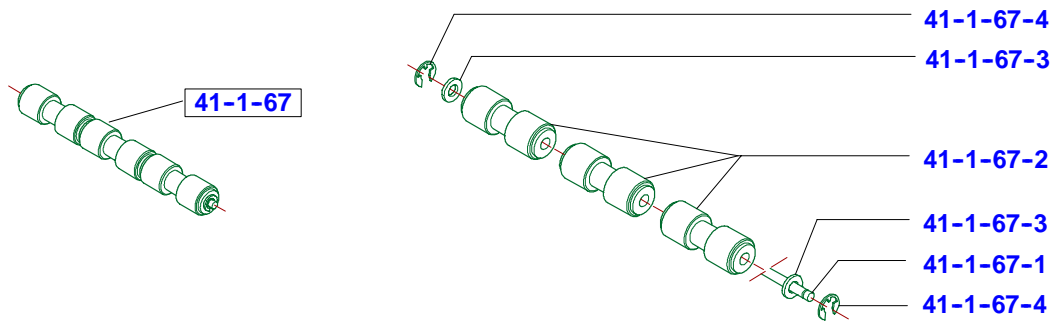
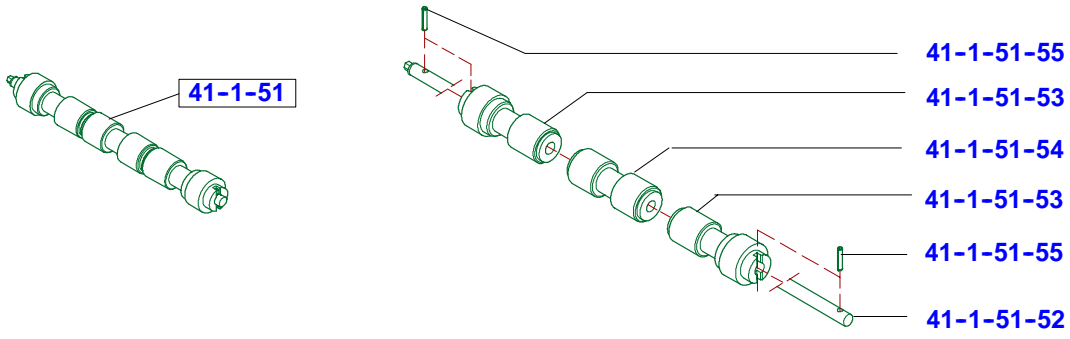


from device-no. 1537086

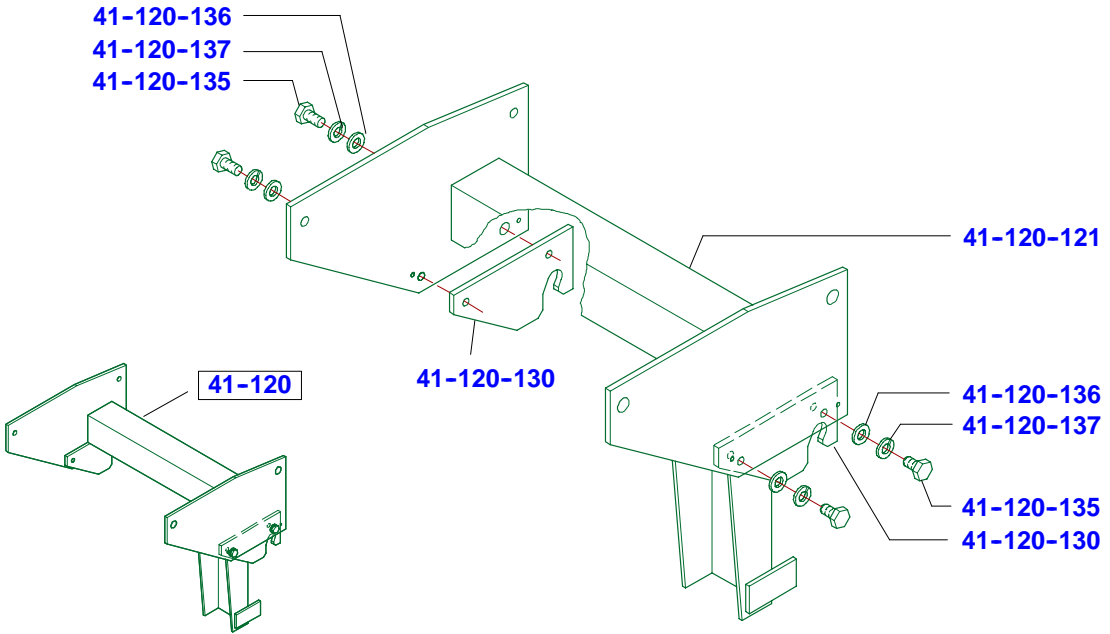


Page of drawing <b>72</b>	<b>A 400 / A 400 FB</b>	Spare parts list No. <b>054.98.3.1013</b>	Series (code No.) <b>90.077</b>
------------------------------	-------------------------	--	------------------------------------

**Conveyor belt with netting ribbon**  
1200mm

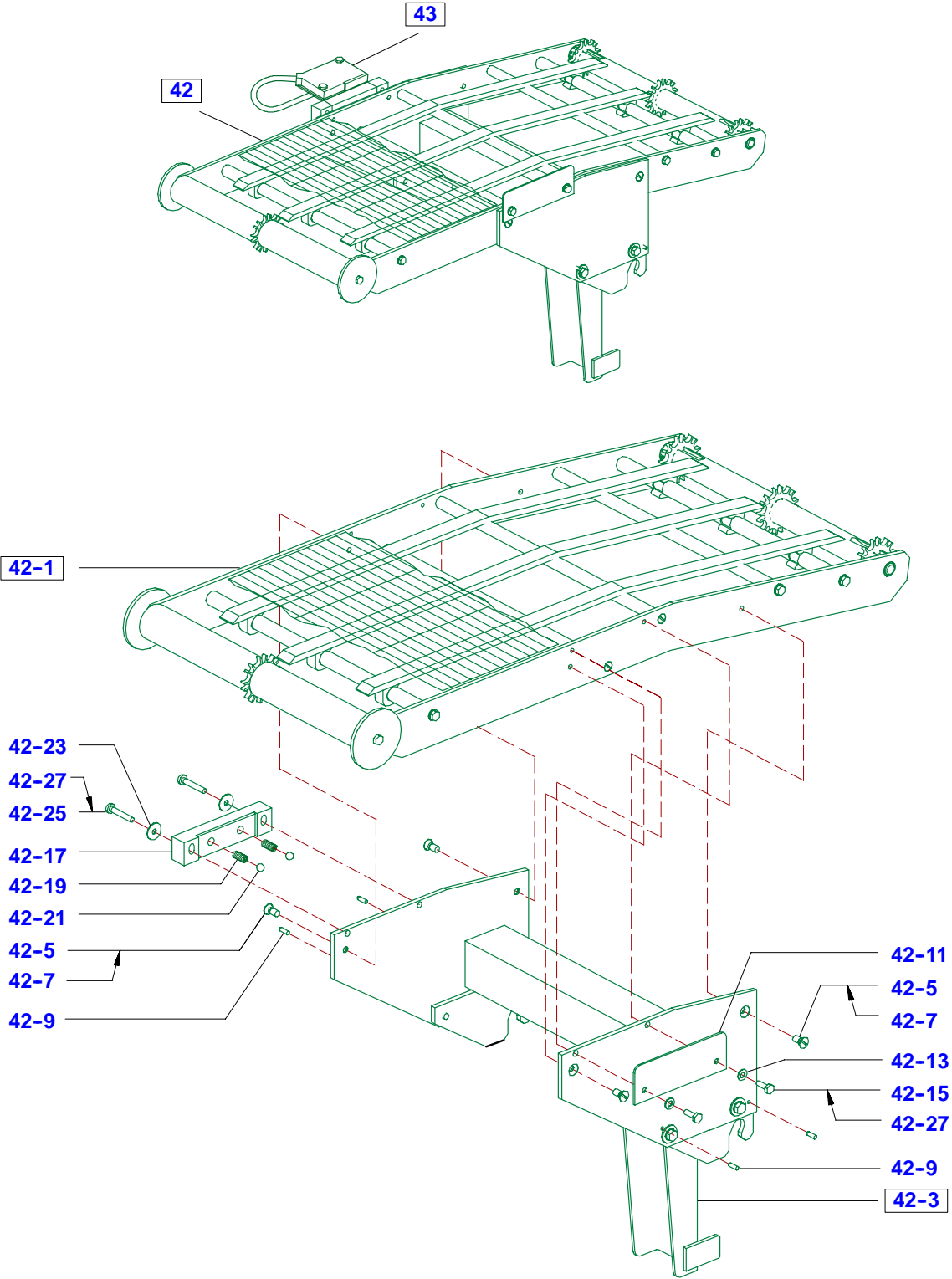


**4**



# Conveyor belt with netting ribbon

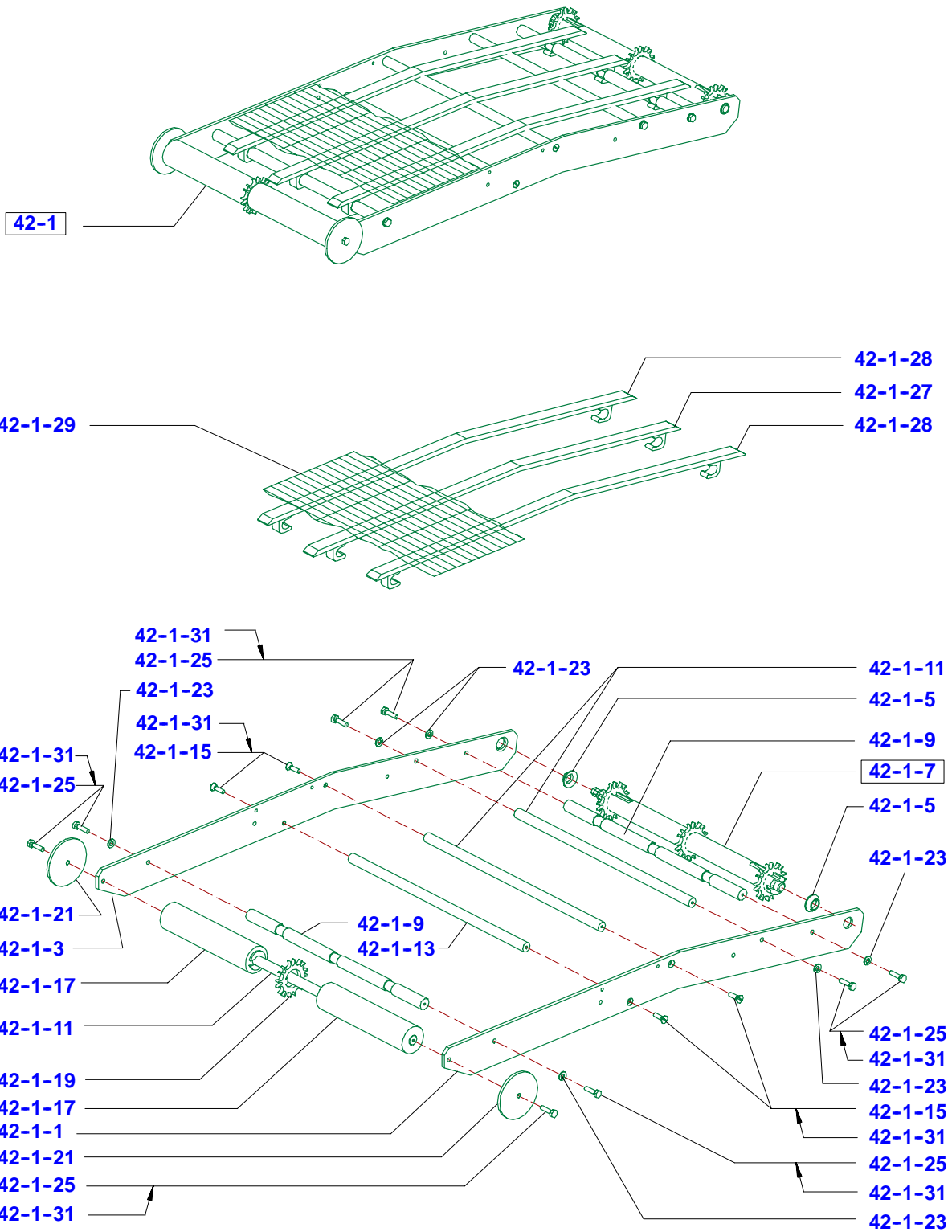
550mm, FRA



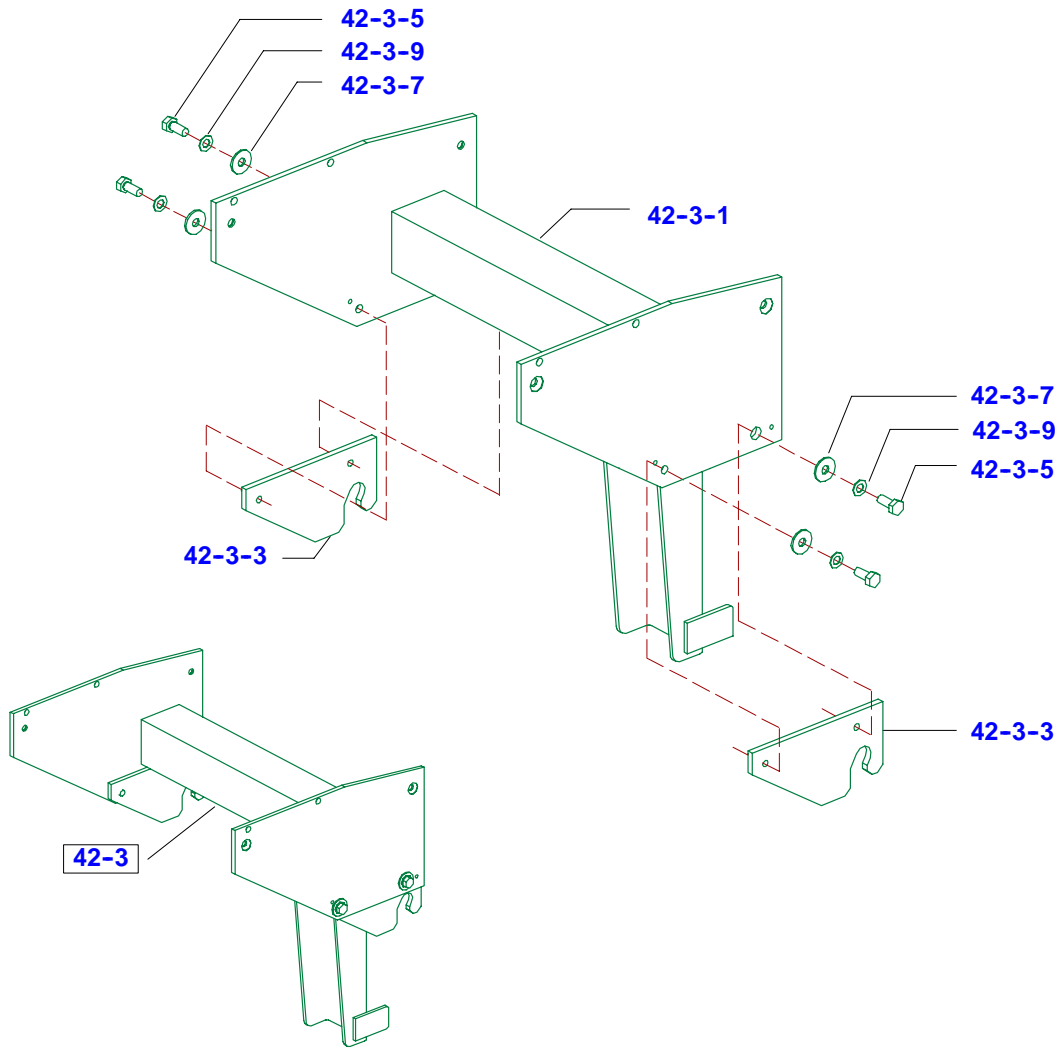
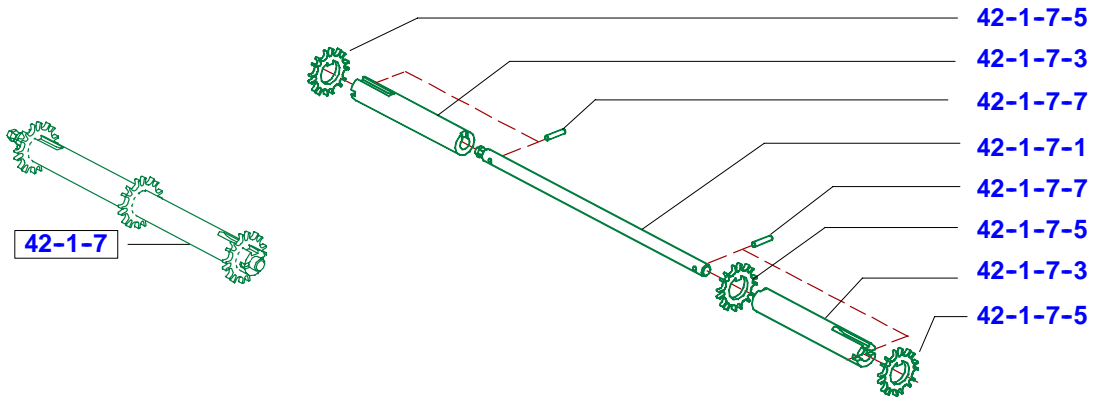
**4**

# Conveyor belt with netting ribbon

550mm, FRA



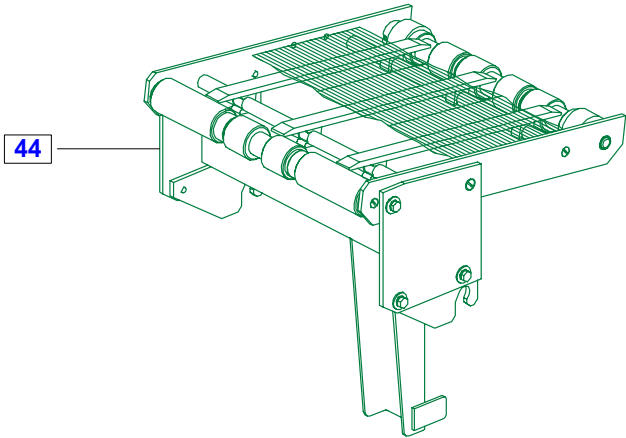
**Conveyor belt with netting ribbon**  
550mm, FRA



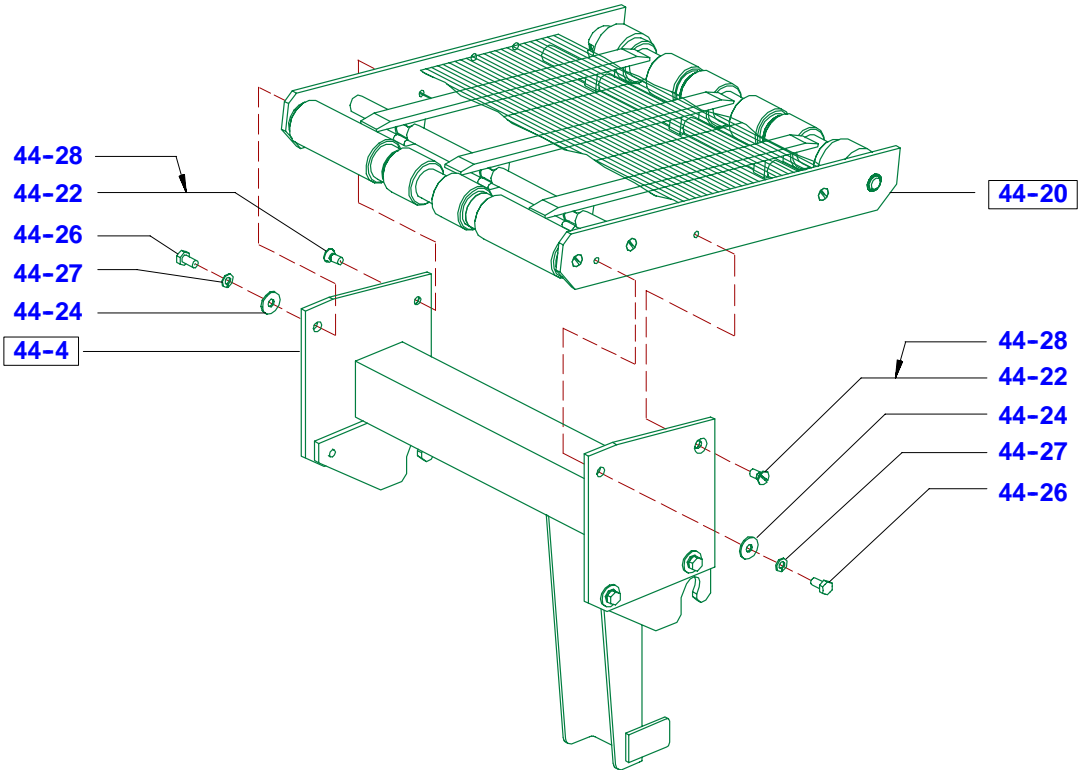
Page of drawing <b>76</b>	<b>A 400 / A 400 FB</b>	Spare parts list No. <b>054.98.3.1013</b>	Series (code No.) <b>90.077</b>
------------------------------	-------------------------	--	------------------------------------

### Conveyor belt with netting ribbon

290mm, AUT+Netherlands

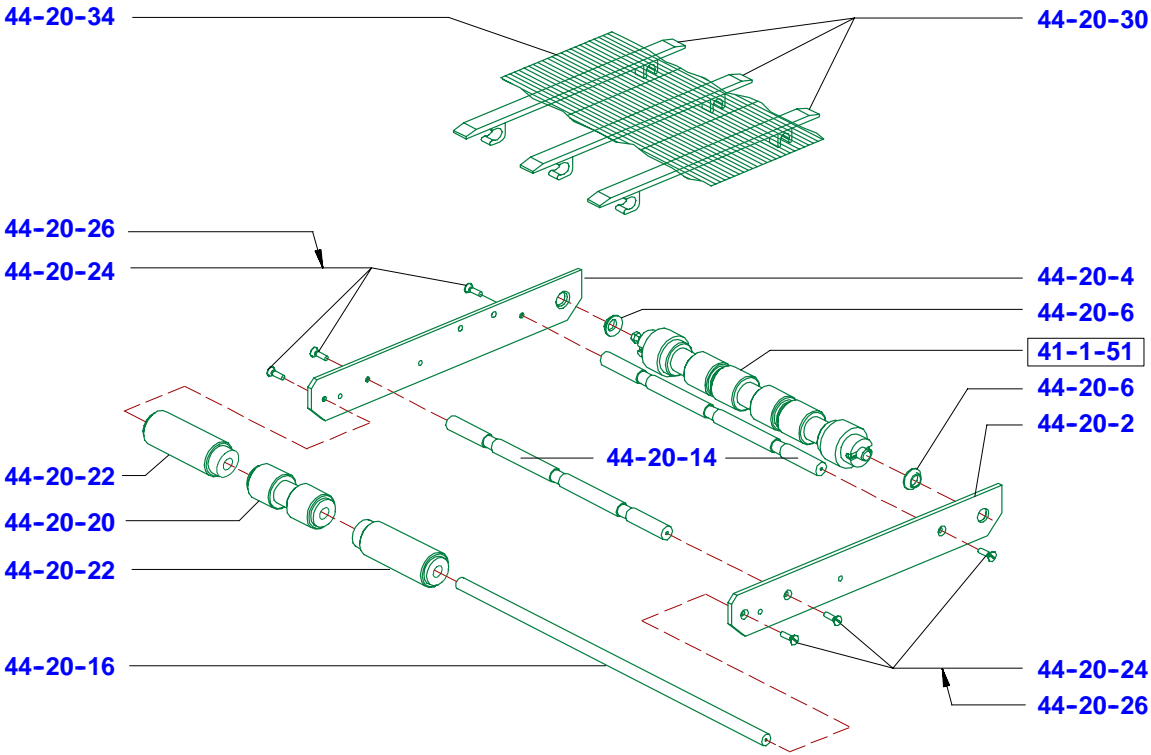
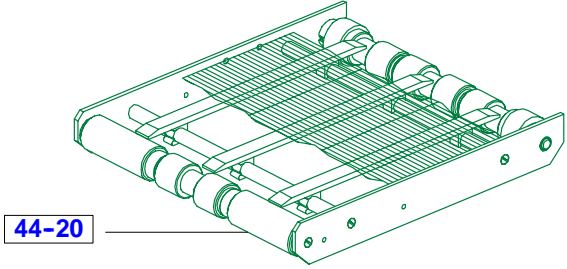


**4**



# Conveyor belt with netting ribbon

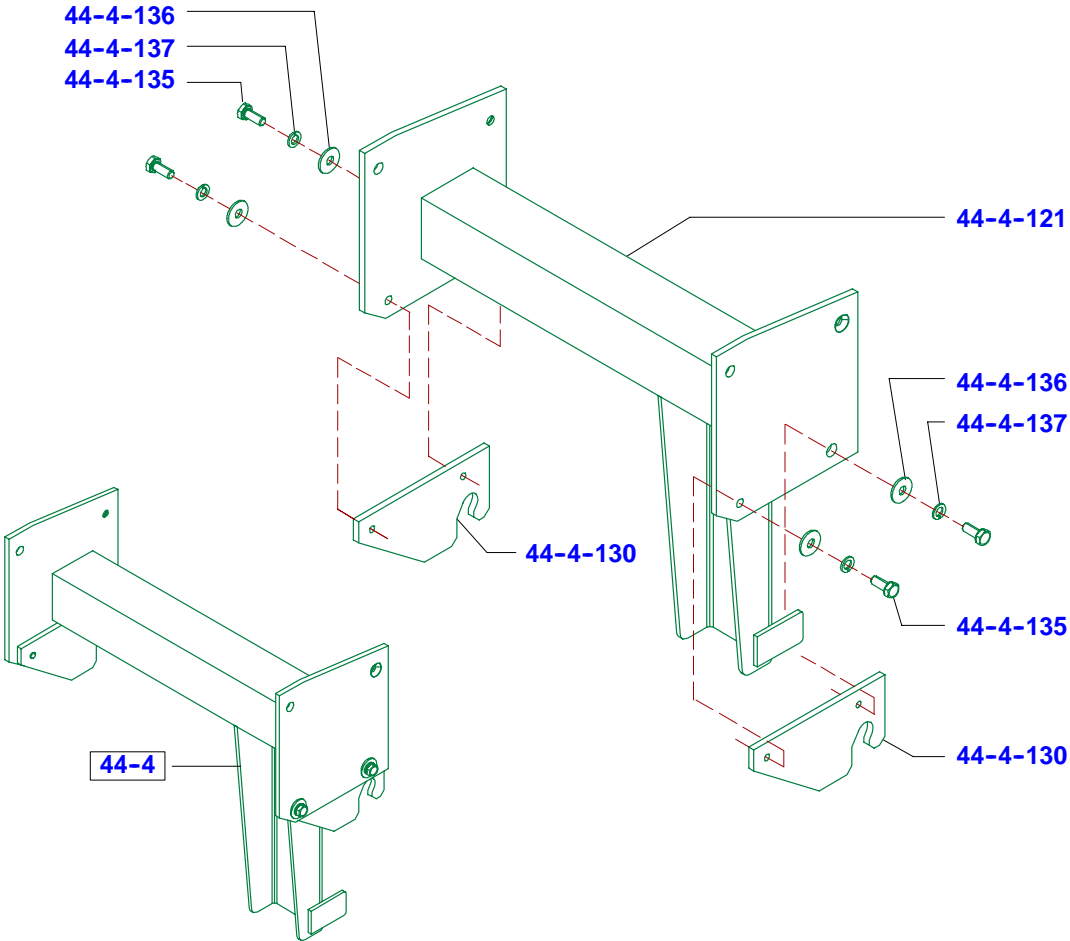
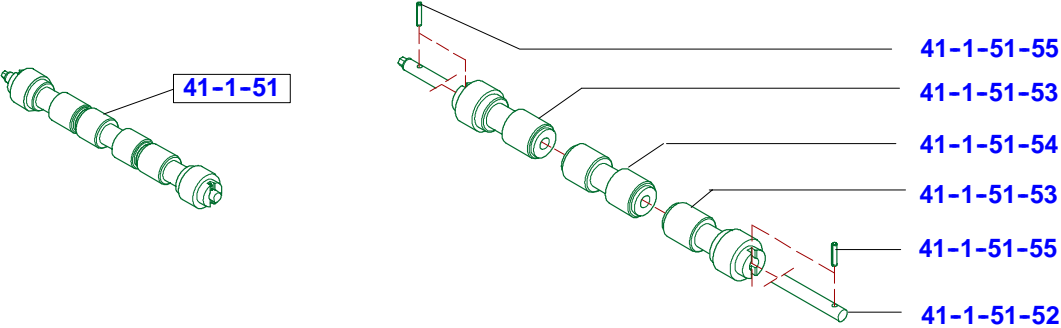
290mm, AUT+Netherlands



Page of drawing <b>78</b>	<b>A 400 / A 400 FB</b>	Spare parts list No. <b>054.98.3.1013</b>	Series (code No.) <b>90.077</b>
------------------------------	-------------------------	--	------------------------------------

### Conveyor belt with netting ribbon

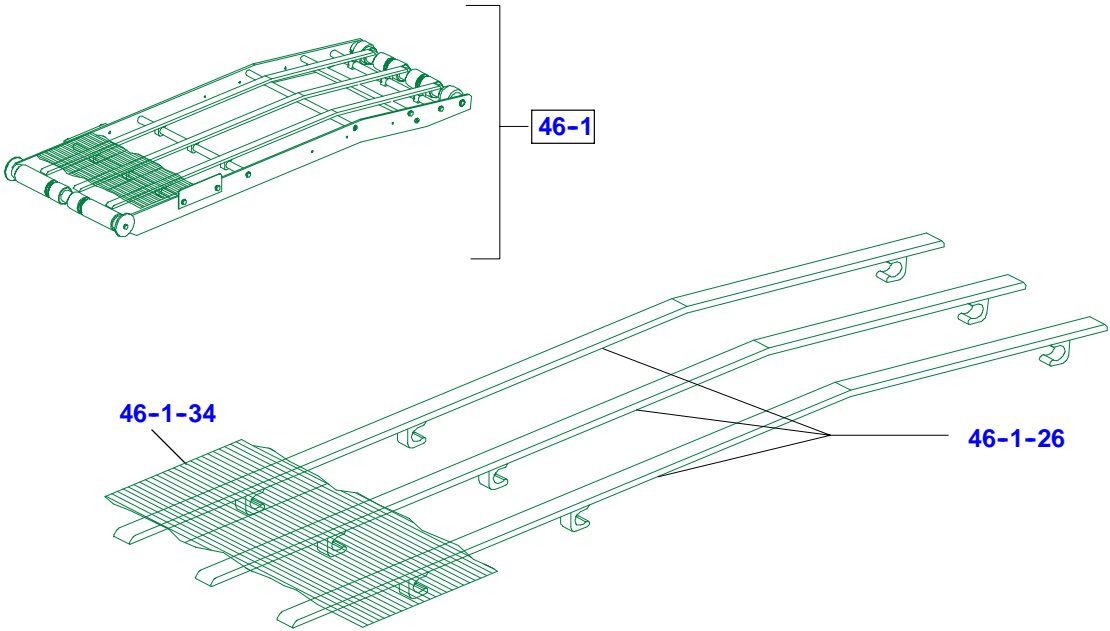
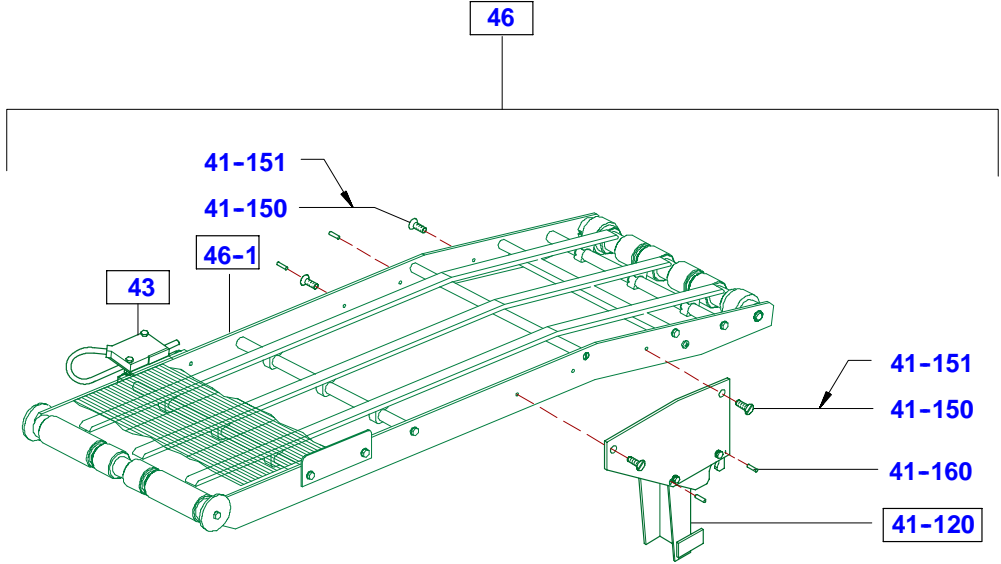
290mm, AUT+Netherlands



**4**

**Conveyor belt with netting ribbon**

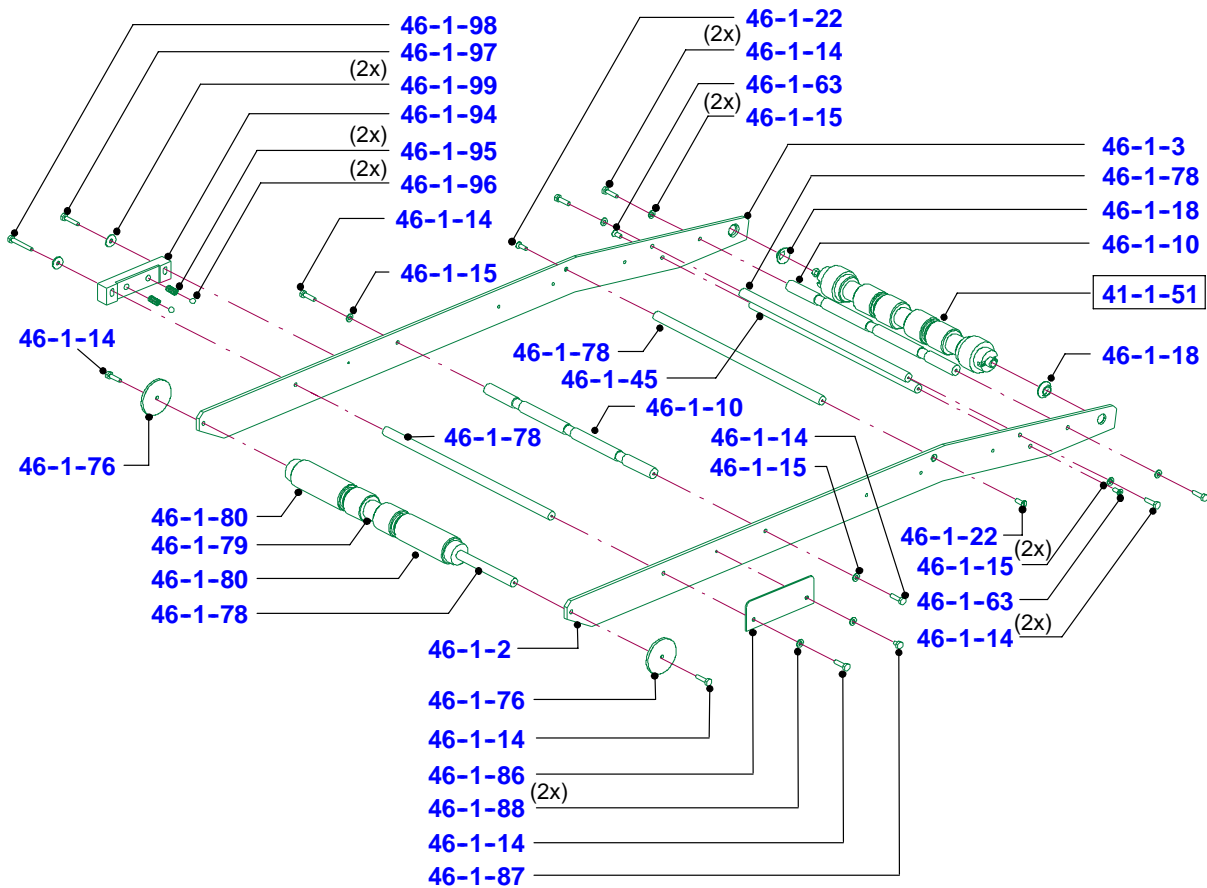
775mm



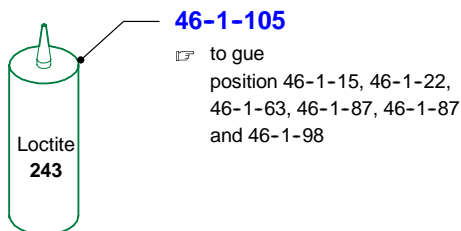
**4**

# Conveyor belt with netting ribbon

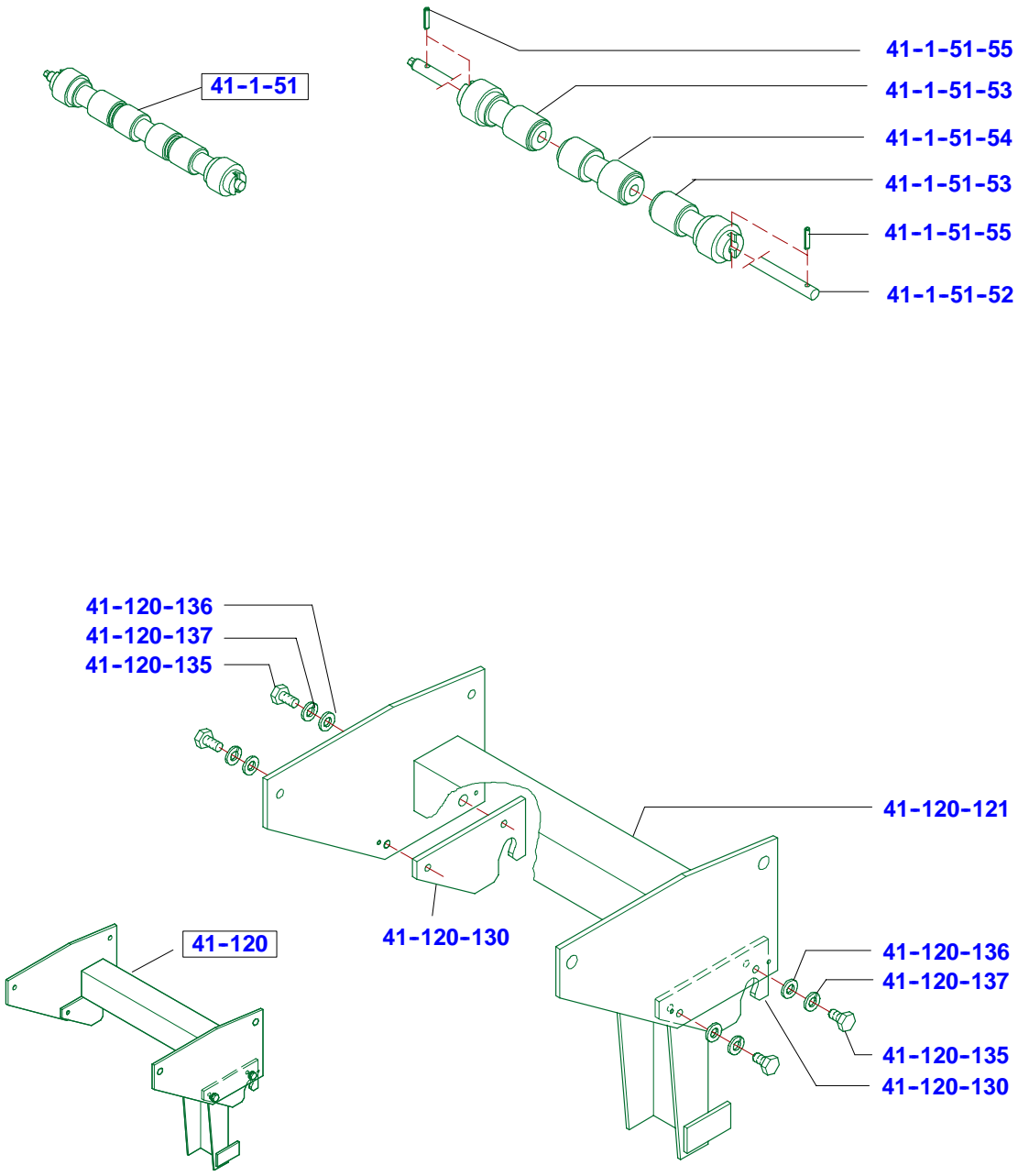
775mm



4



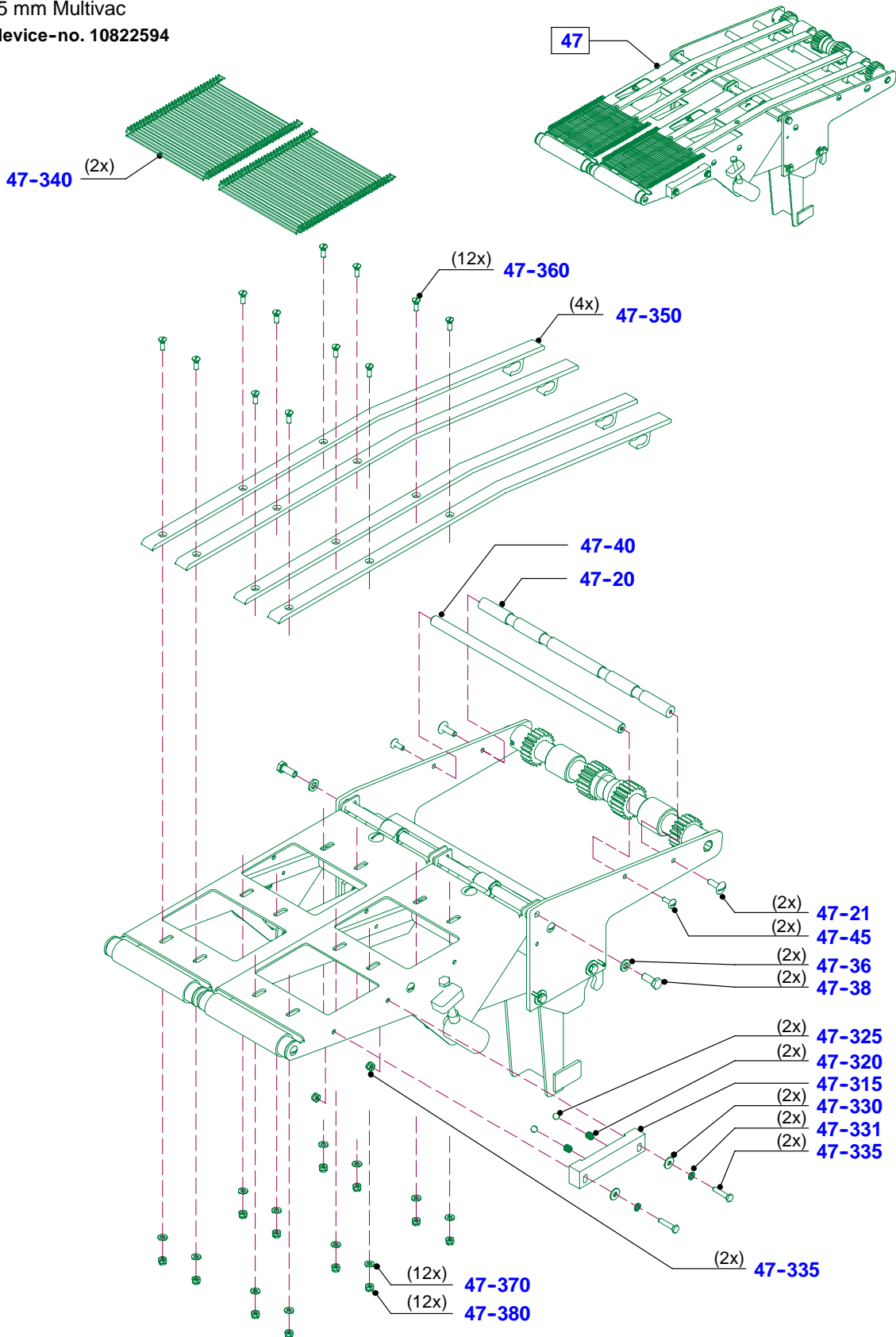
**Conveyor belt with netting ribbon**  
775mm



### Conveyor belt with netting ribbon

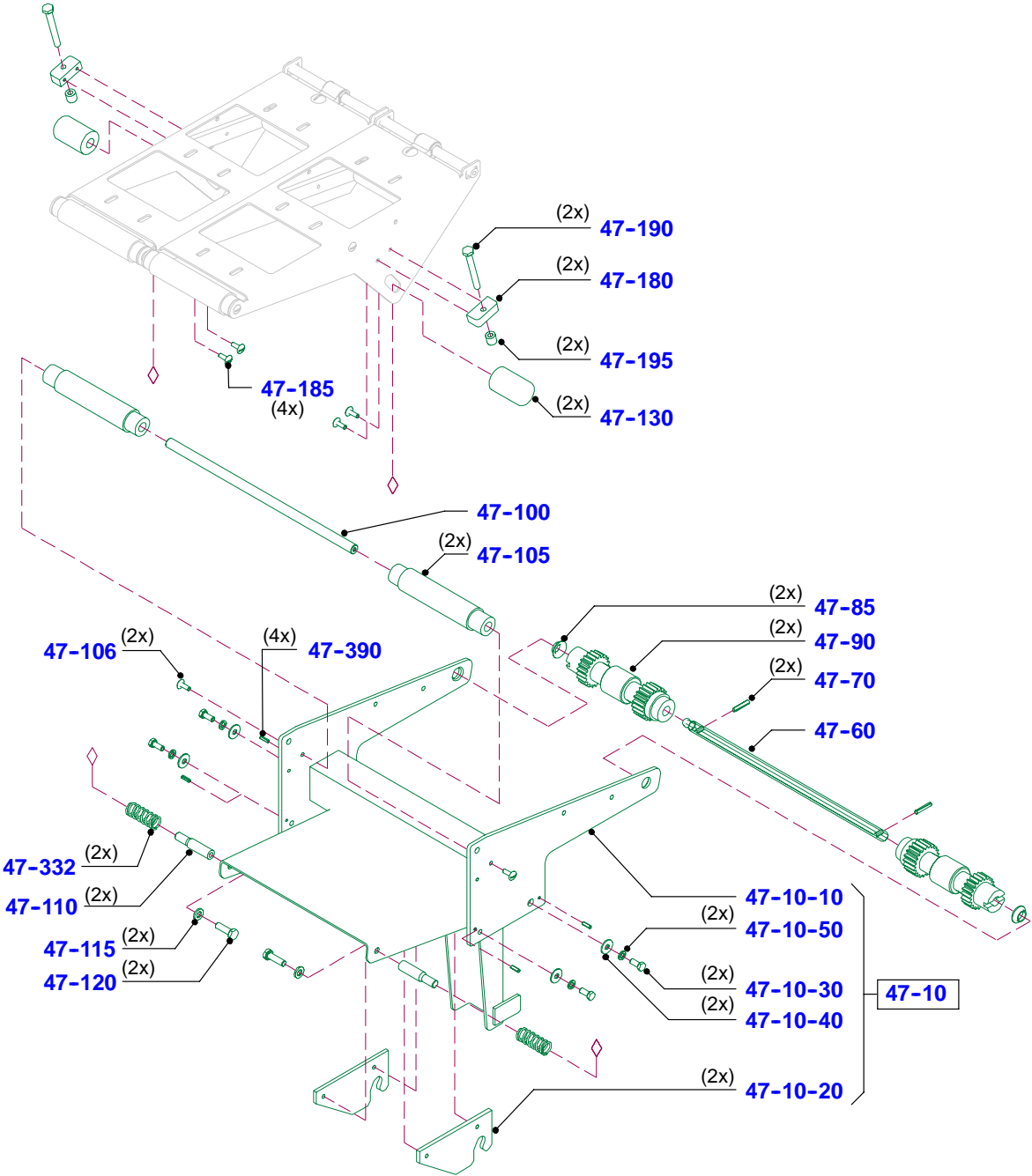
2 x 115 mm Multivac

up to device-no. 10822594



# Conveyor belt with netting ribbon

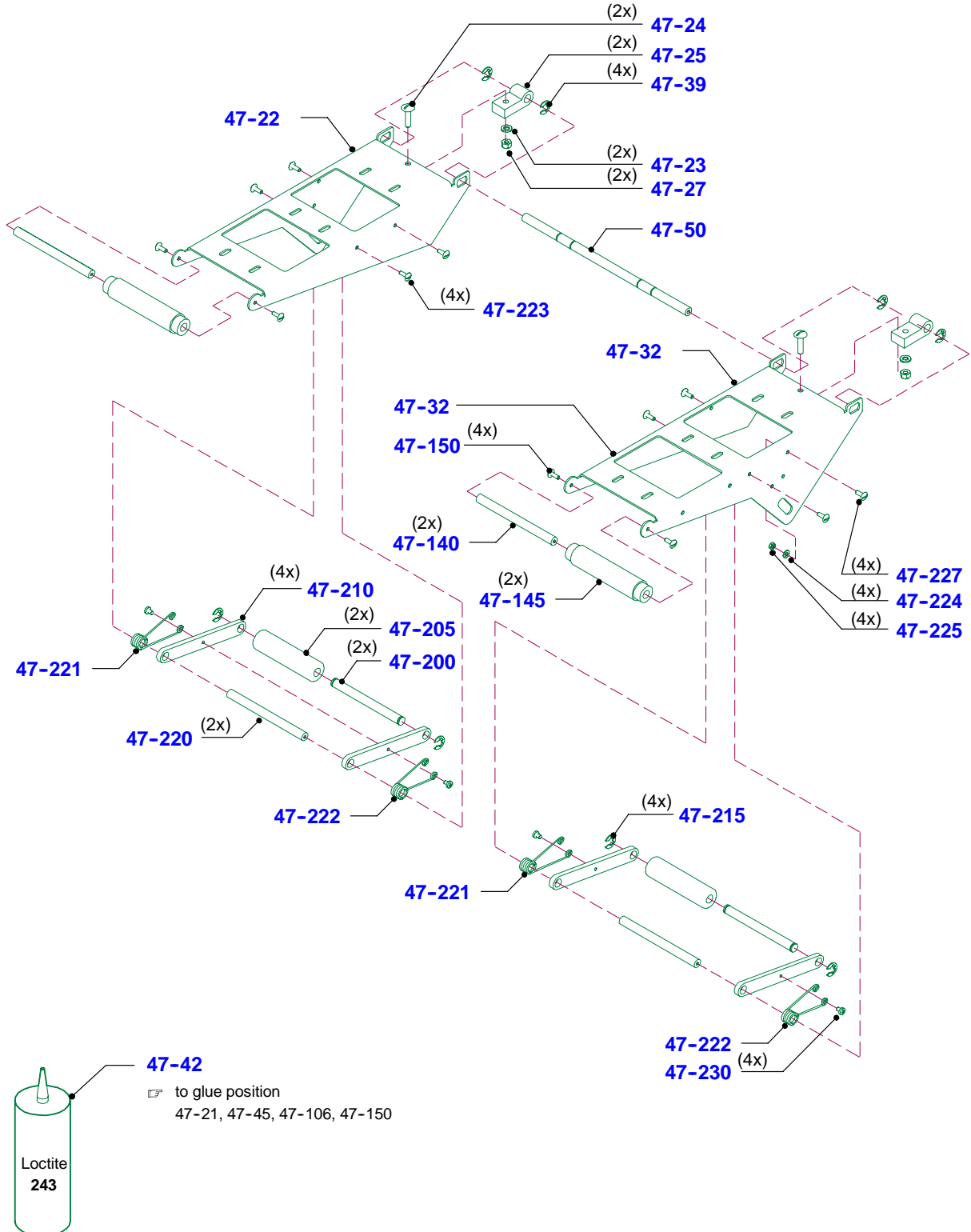
2x 115 mm Multivac  
up to device-no. 10822594



### Conveyor belt with netting ribbon

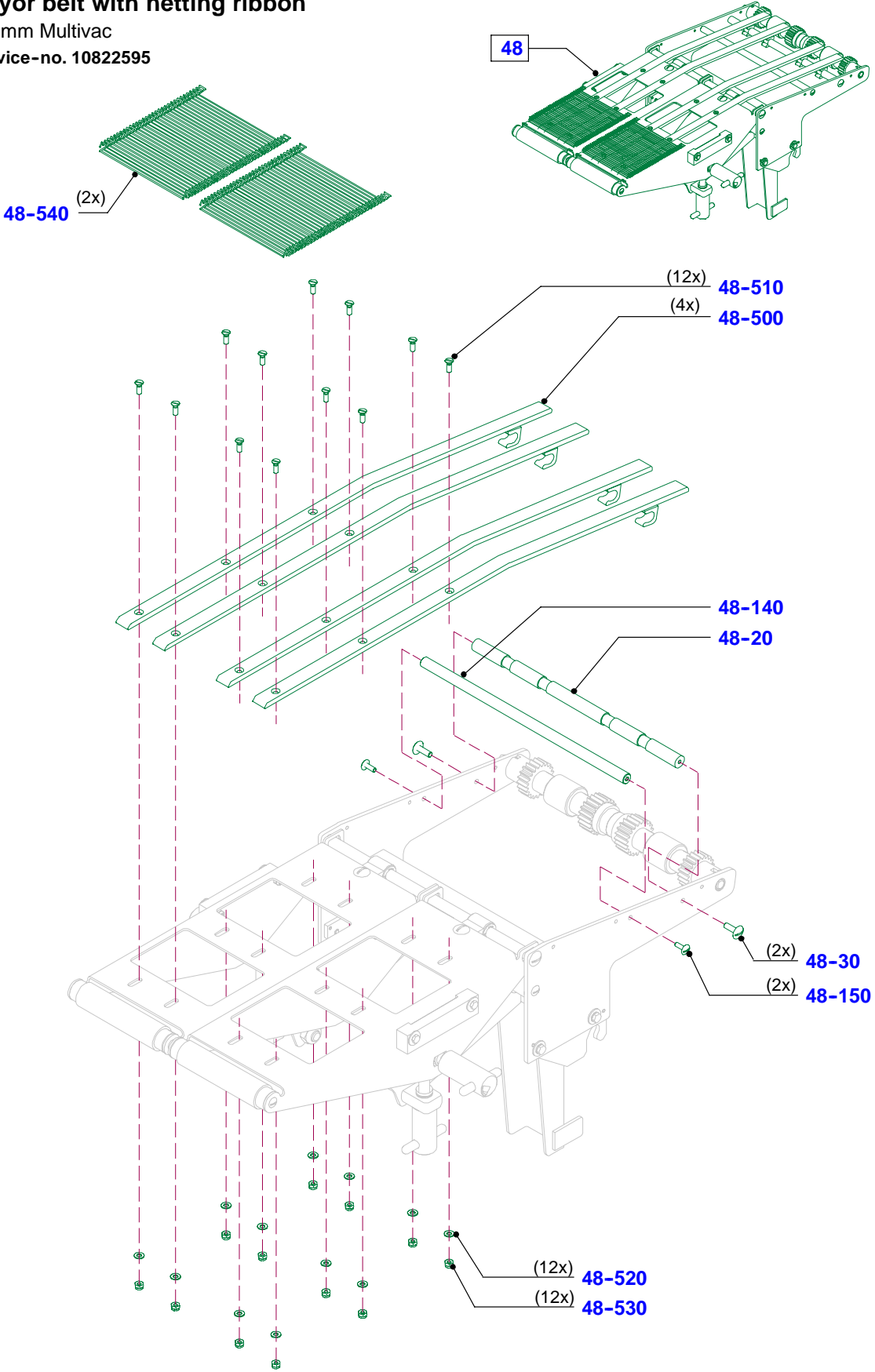
2 x 115 mm Multivac

up to device-no. 10822594



**Conveyor belt with netting ribbon**

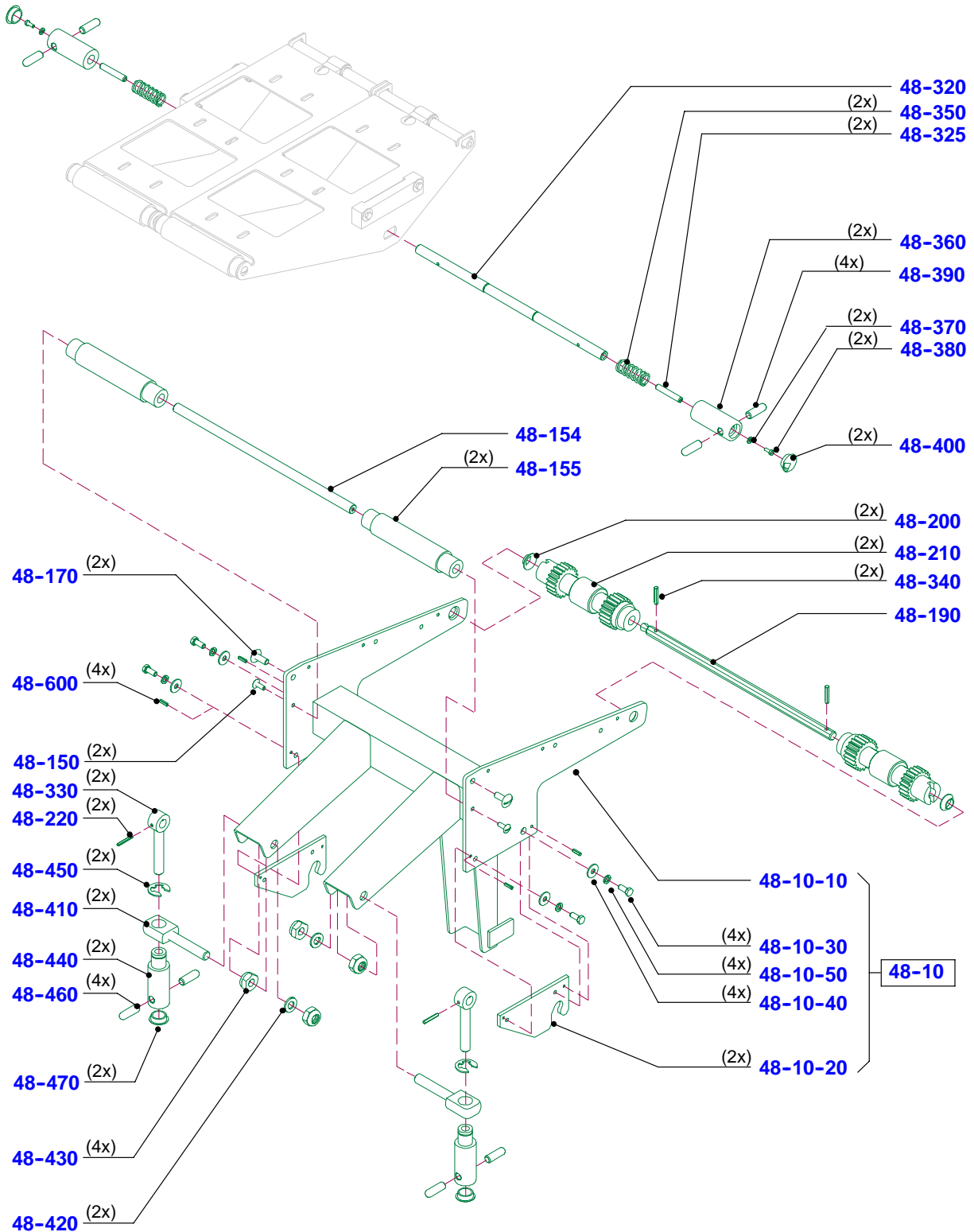
2 x 115 mm Multivac  
from device-no. 10822595



### Conveyor belt with netting ribbon

2 x 115 mm Multivac

from device-no. 10822595

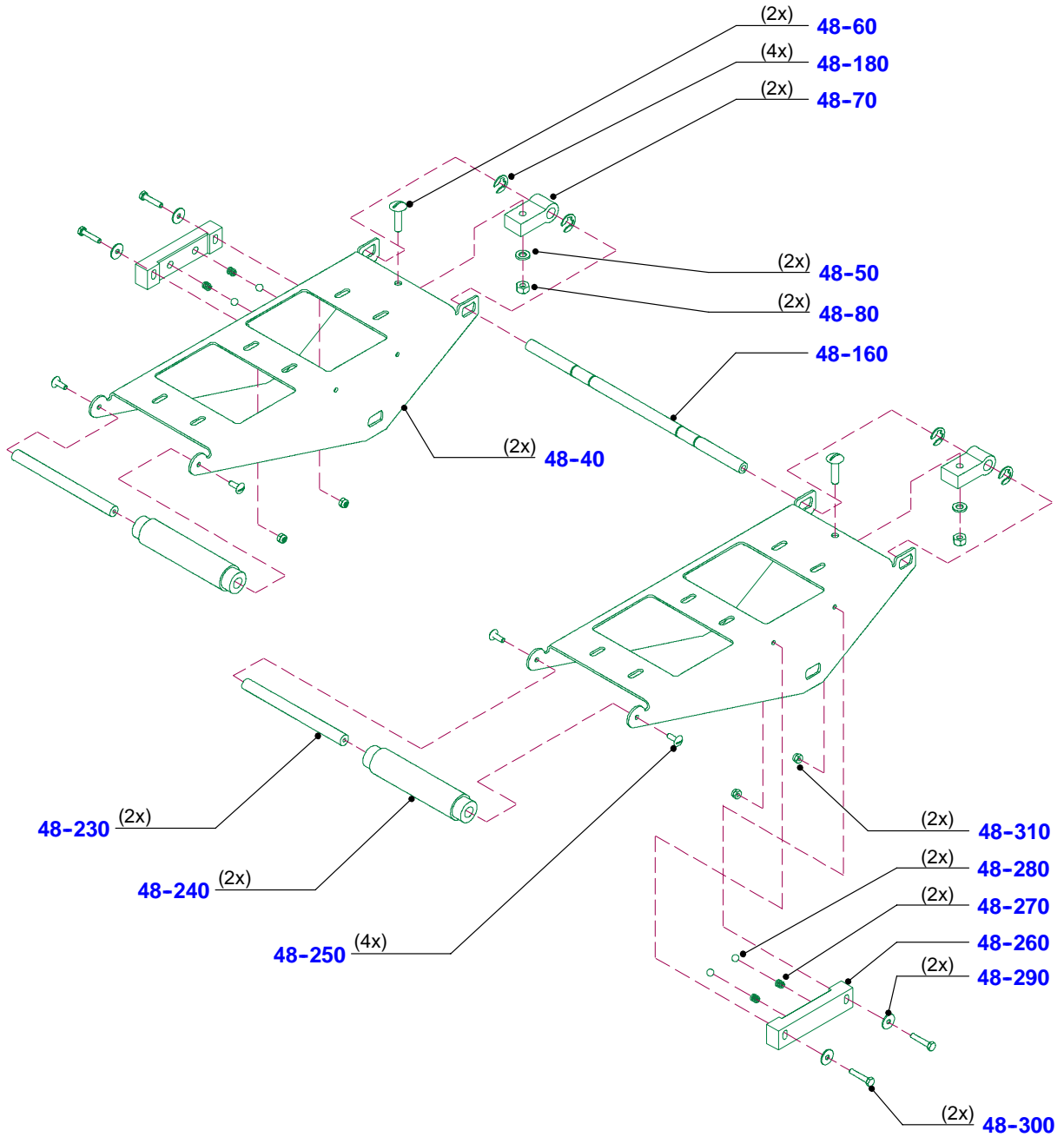


4

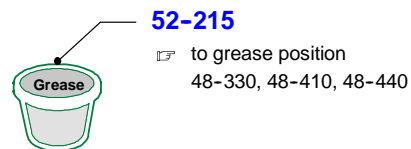
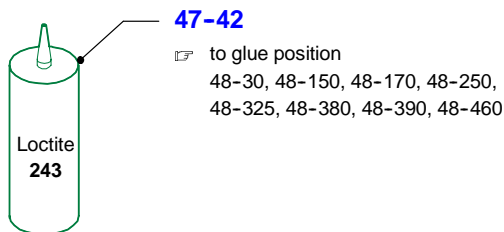
### Conveyor belt with netting ribbon

2 x 115 mm Multivac

from device-no 10822595



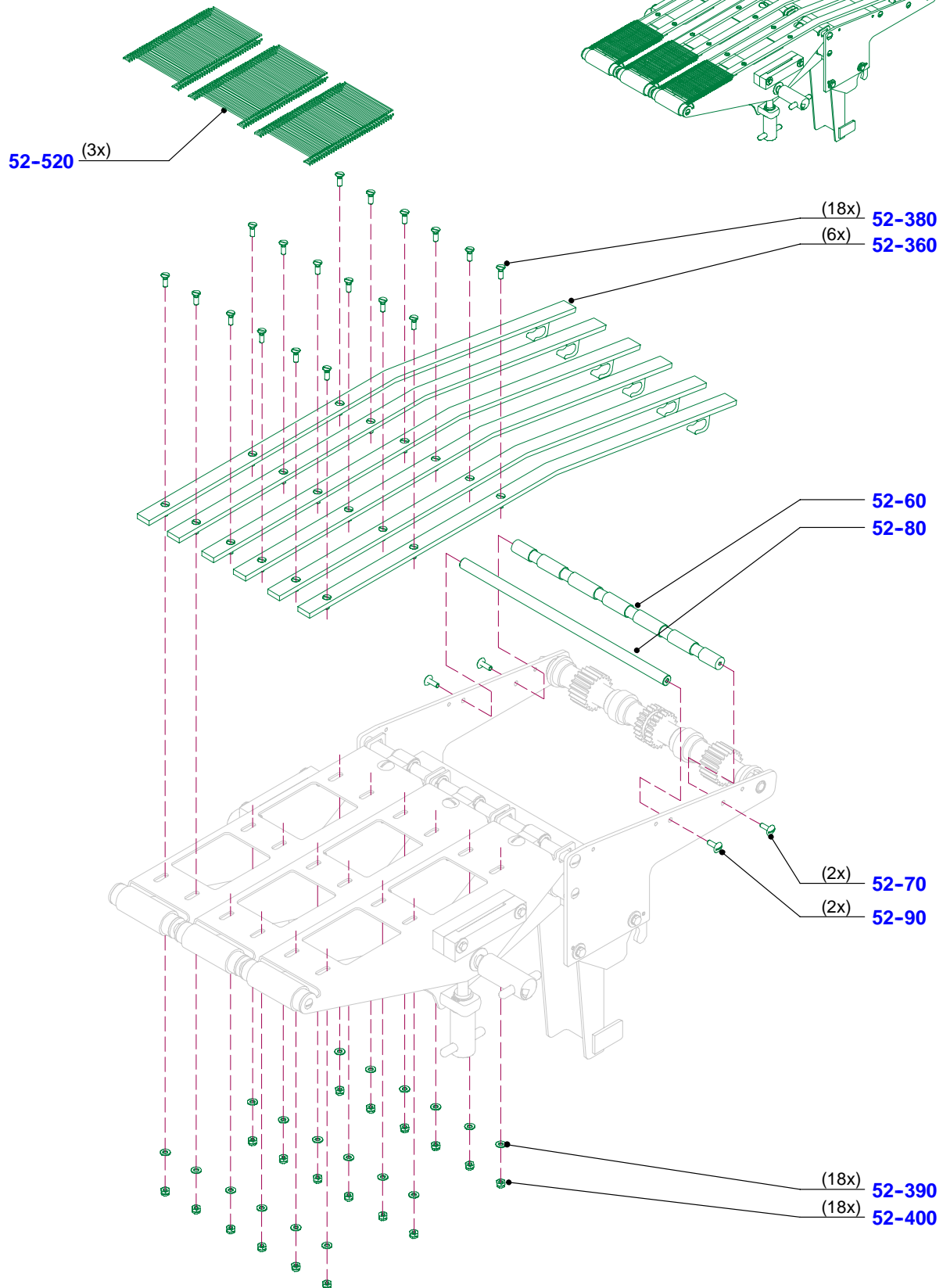
**4**



Amendment: 07/2012

**Conveyor belt with netting ribbon**

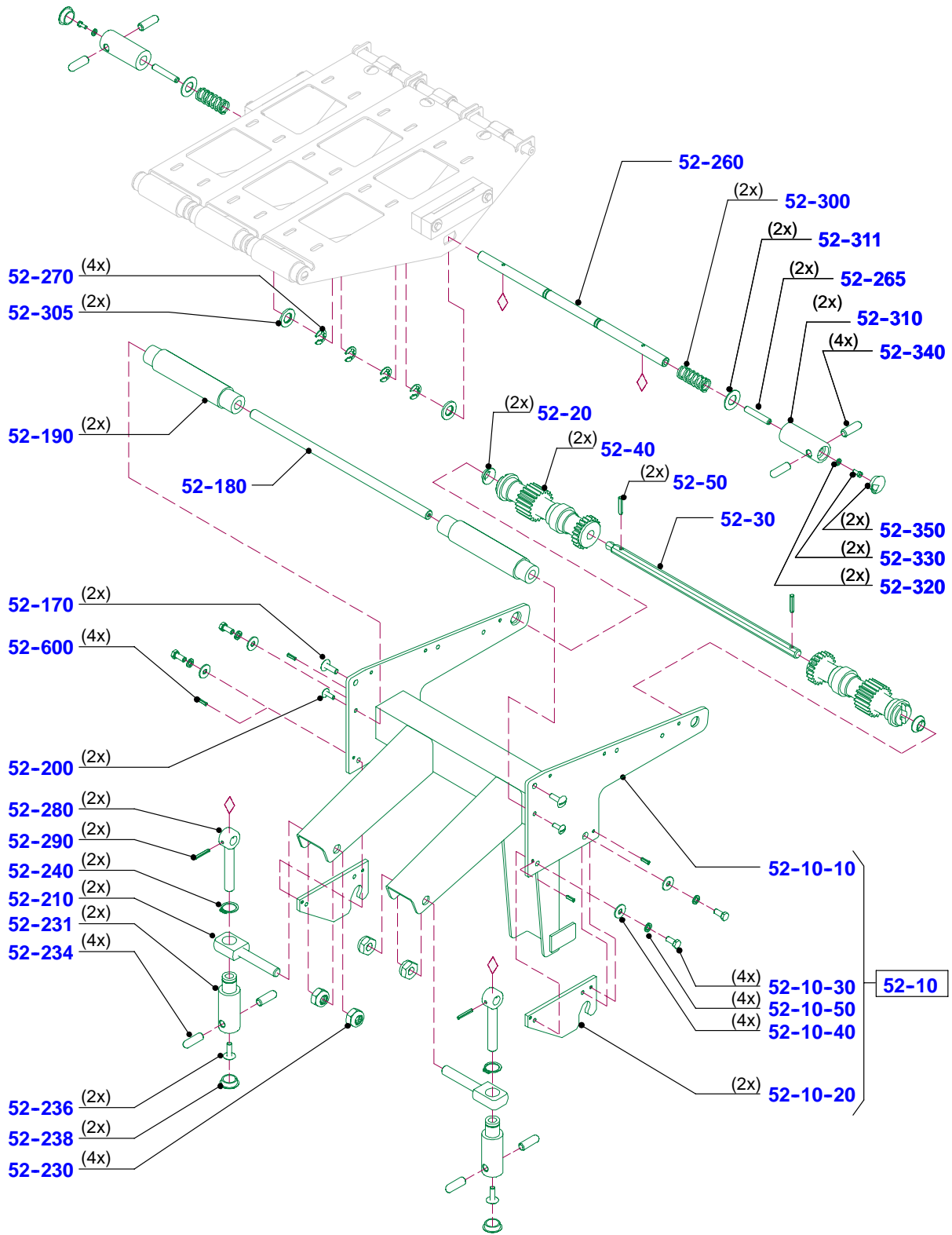
3 x 70 mm Multivac  
from device-no. 10822595



**4**

**Conveyor belt with netting ribbon**

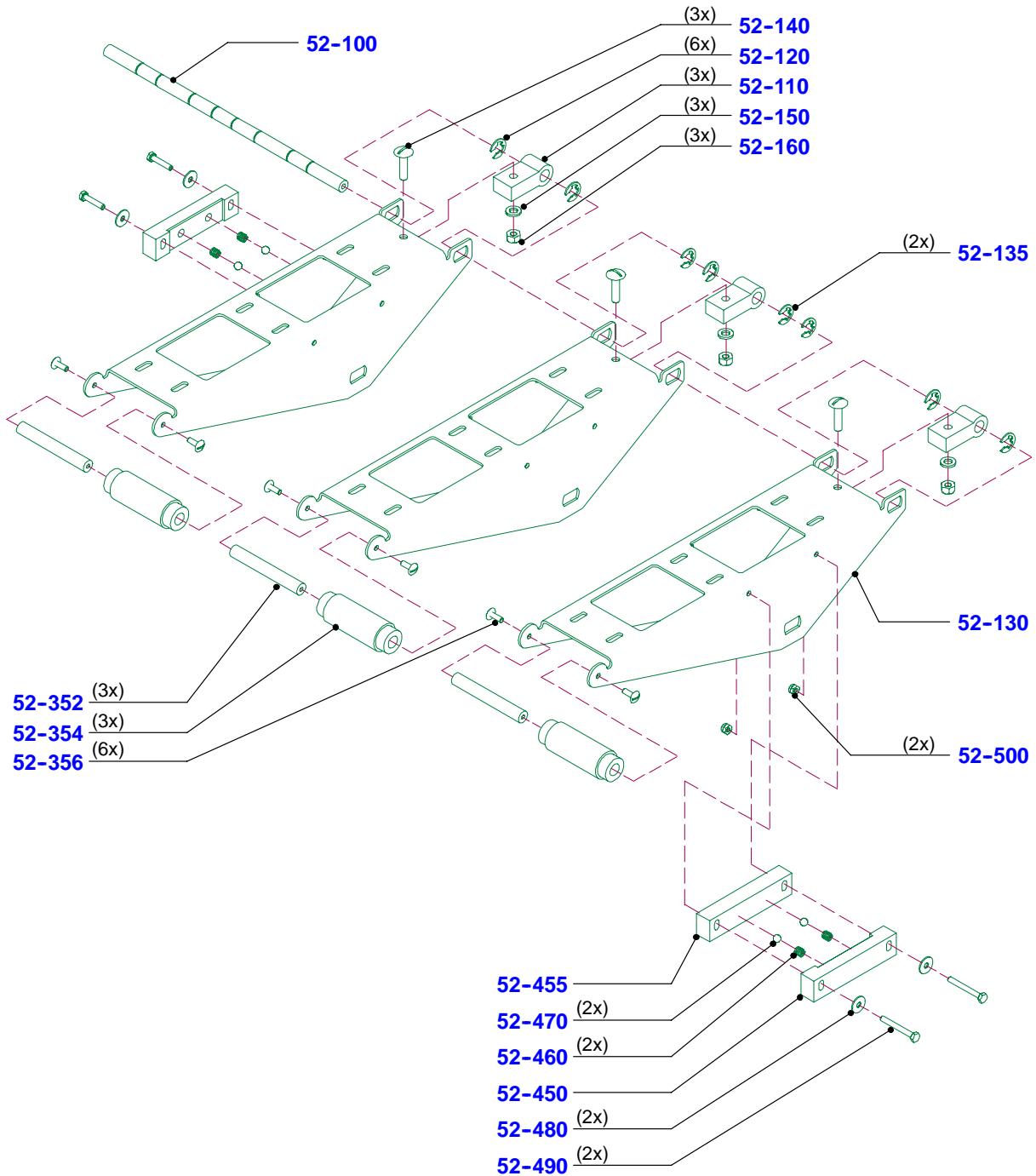
3 x 70 mm Multivac  
from device-no. 10822595



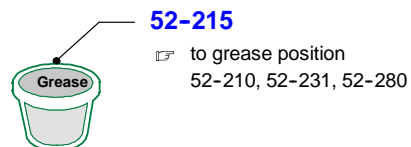
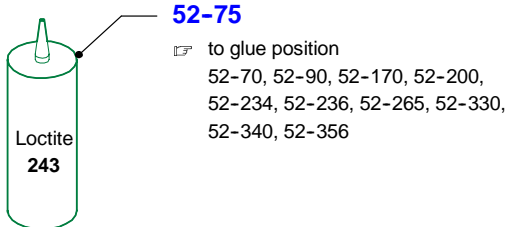
**Conveyor belt with netting ribbon**

3 x 70 mm Multivac

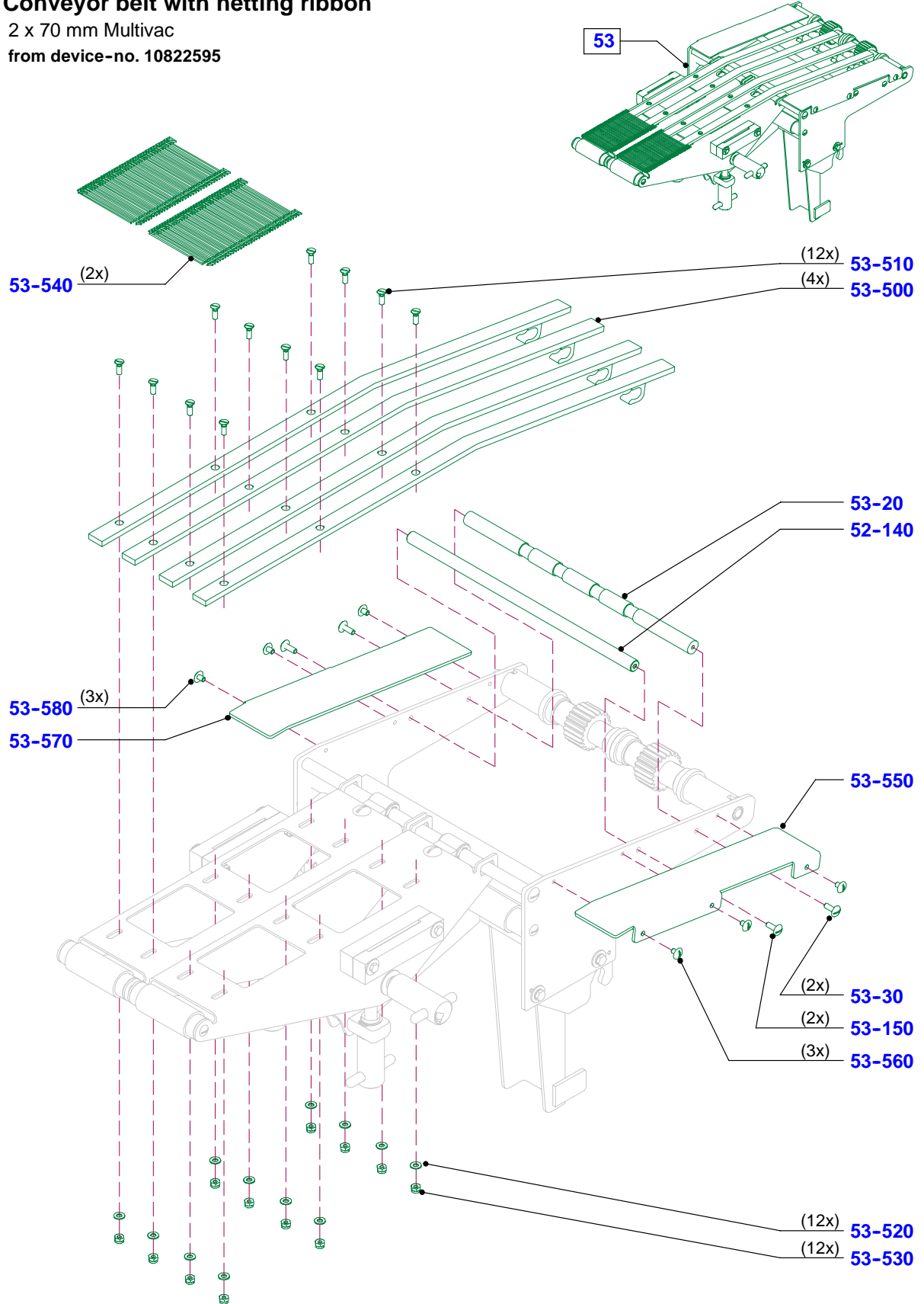
from device-no. 10822595



**4**



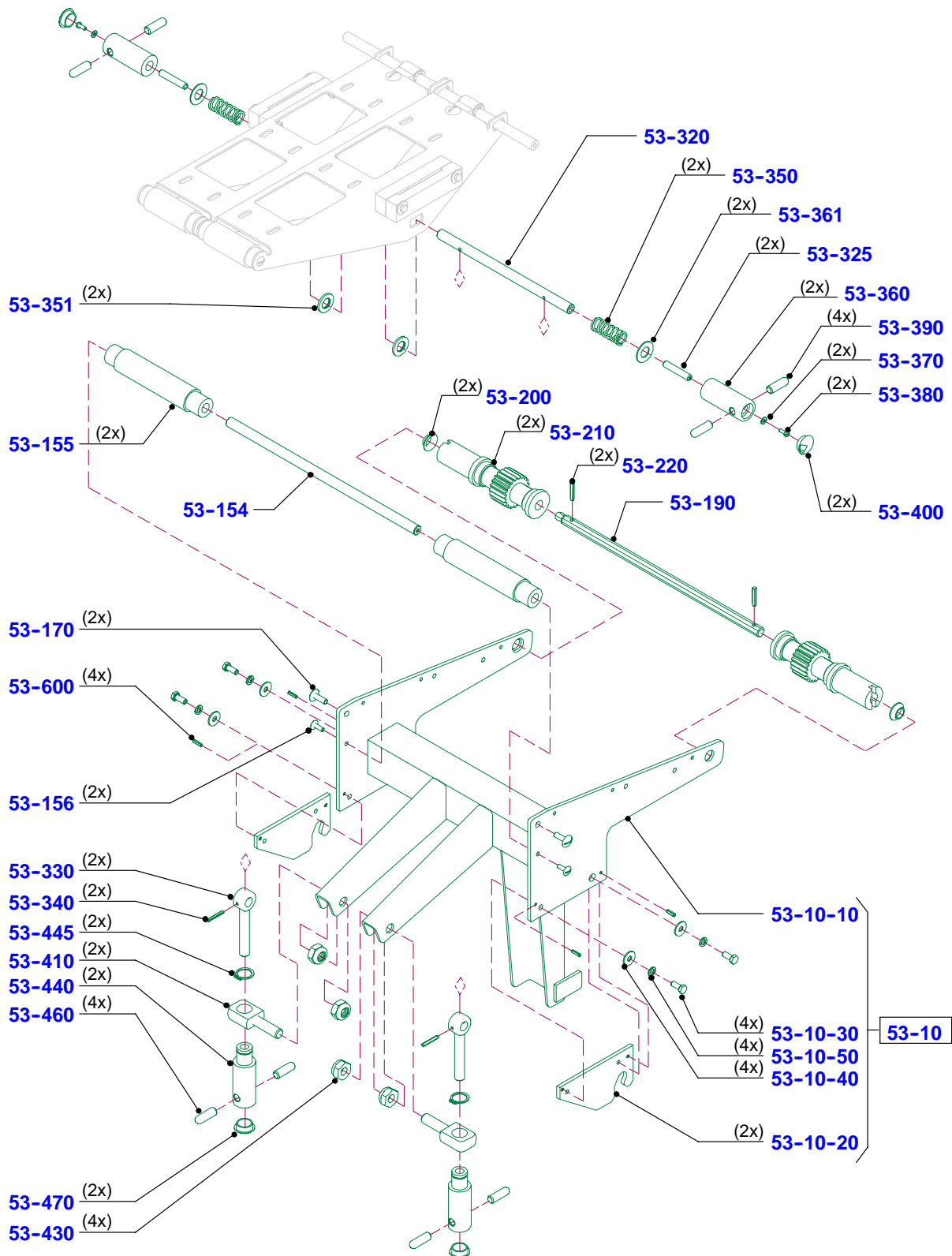
**Conveyor belt with netting ribbon**  
 2 x 70 mm Multivac  
 from device-no. 10822595



**Conveyor belt with netting ribbon**

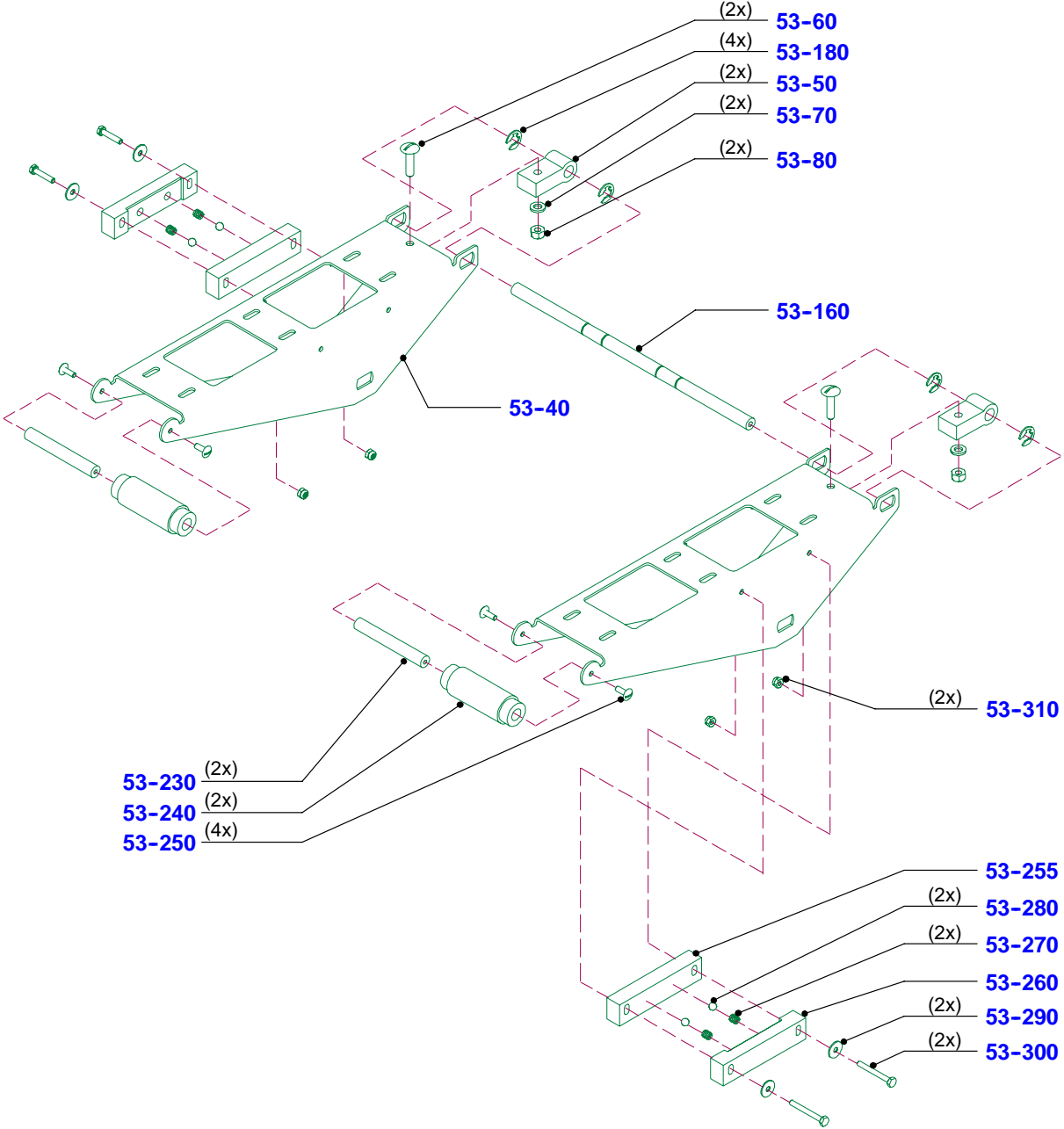
2 x 70 mm Multivac

from device-no. 10822595

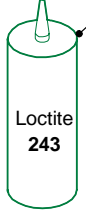


**Conveyor belt with netting ribbon**

2 x 70 mm Multivac  
from device-no. 10822595




**53-151**



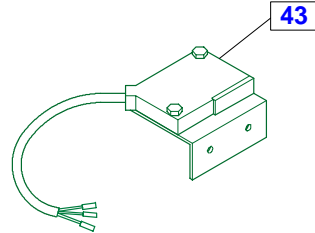
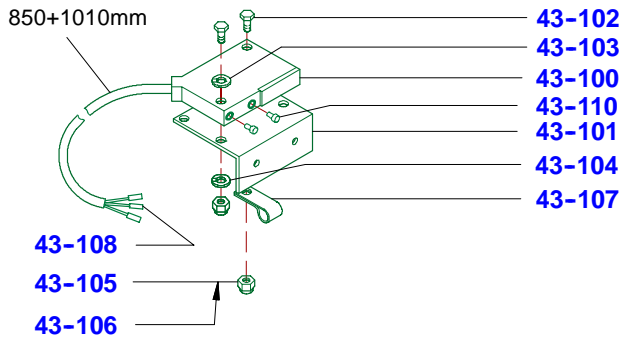
to glue position  
53-150, 53-170, 53-250, 53-325,  
53-380, 53-390, 53-460, 53-560,  
53-580

**53-331**

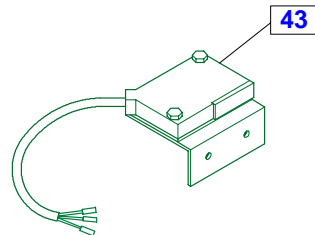
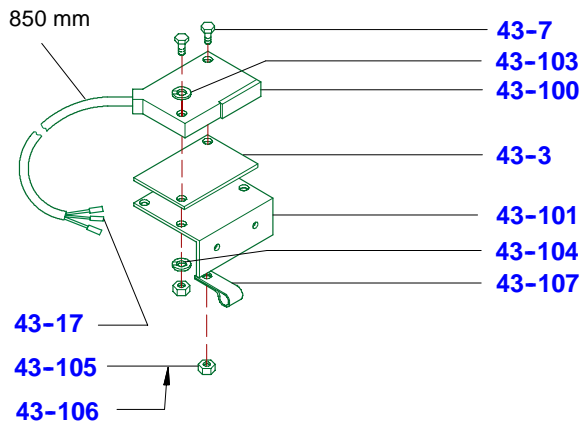


fo grease position  
53-330, 53-410, 53-440

### Conveyor belt: -Light barrier

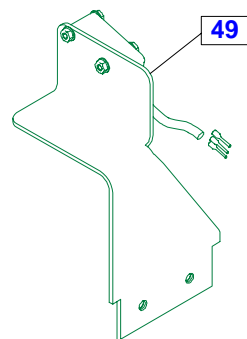
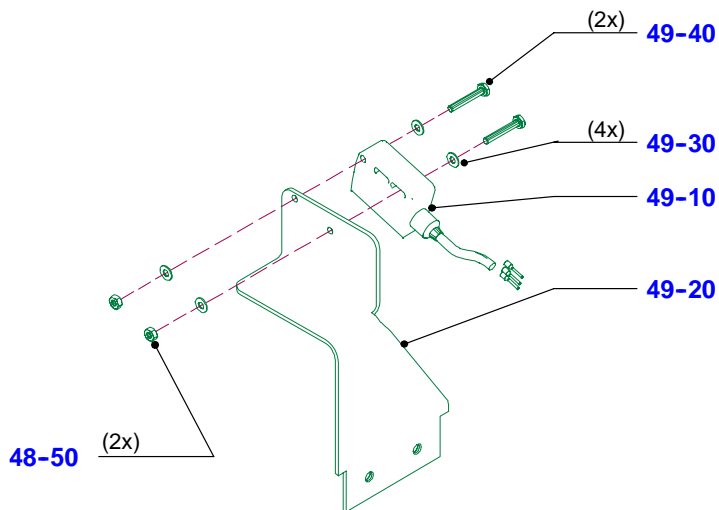


FRA



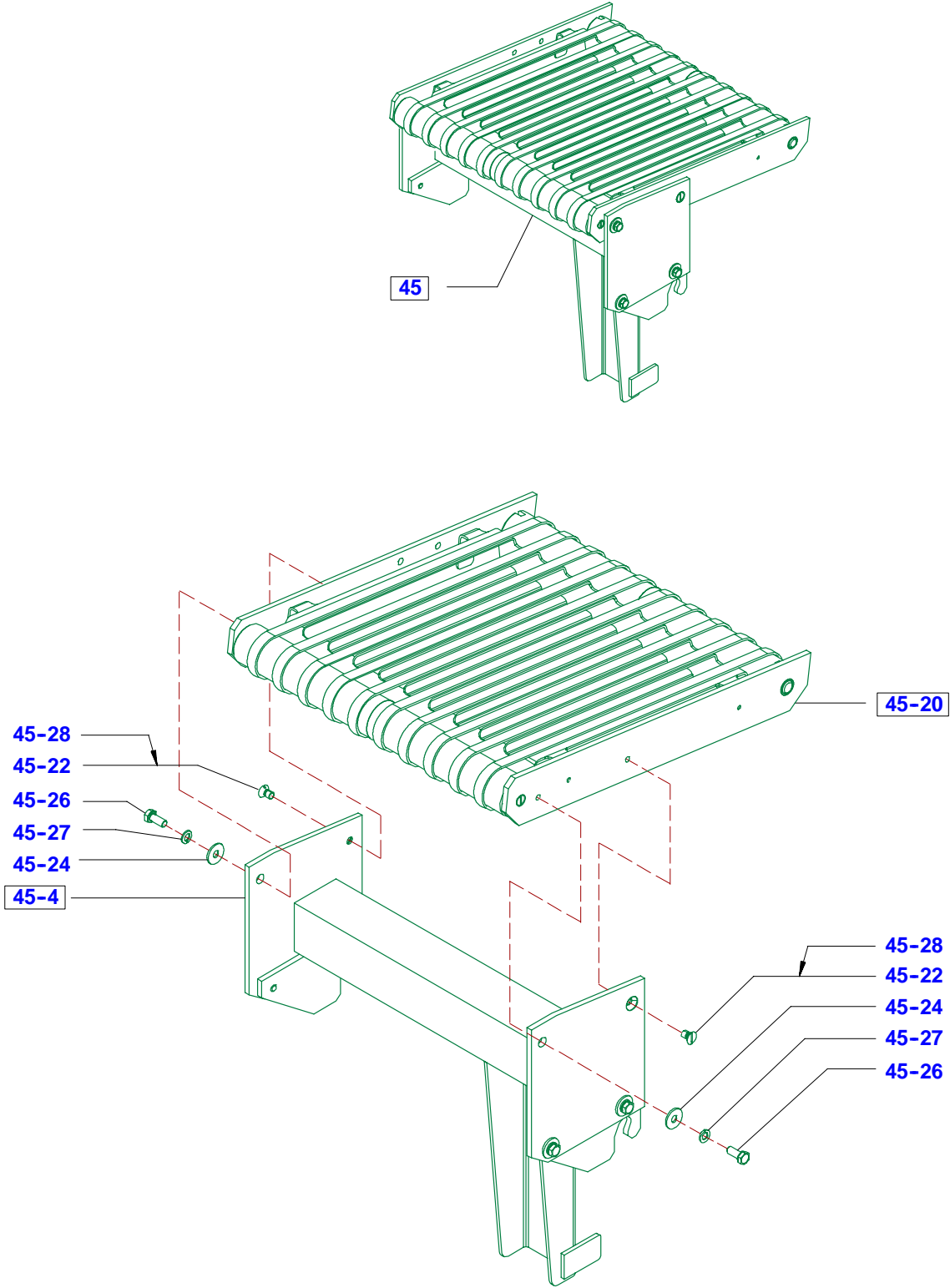
4

Multivac  
from device-no. 10822595



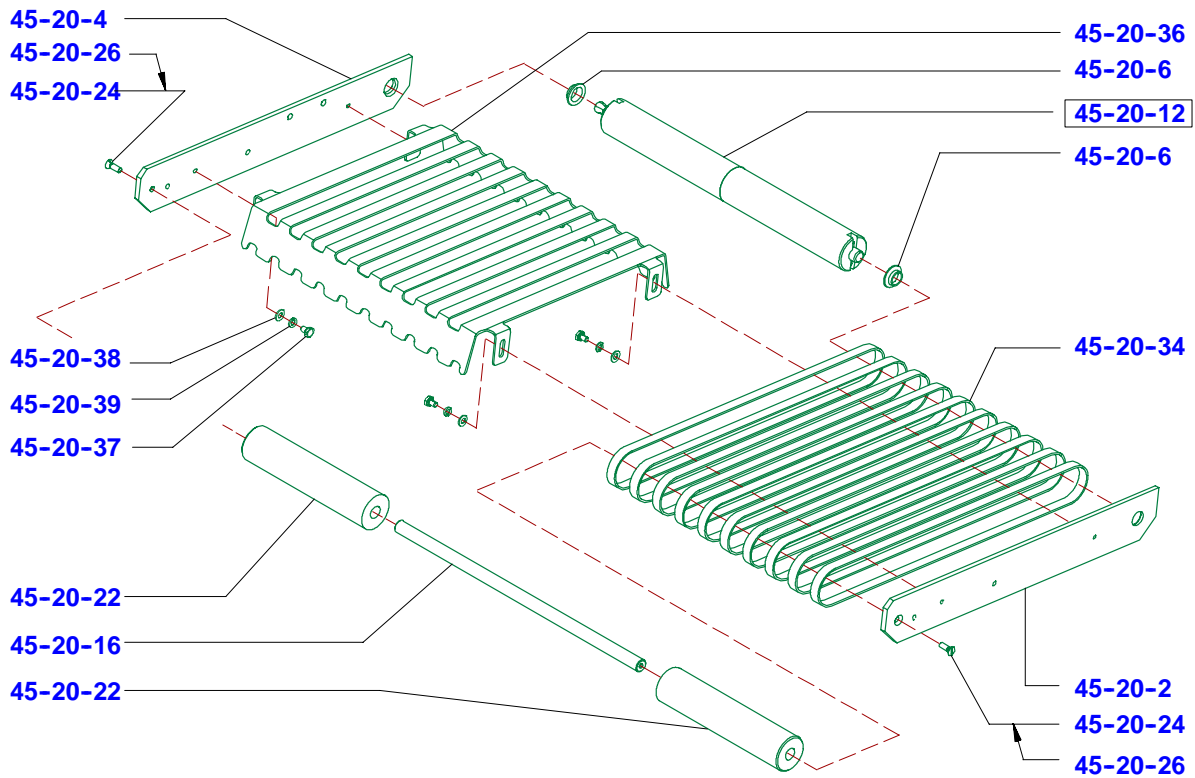
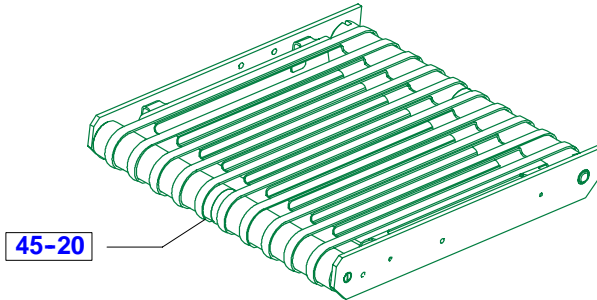
### Conveyor belt with belt

8mm belts



### Conveyor belt with belt

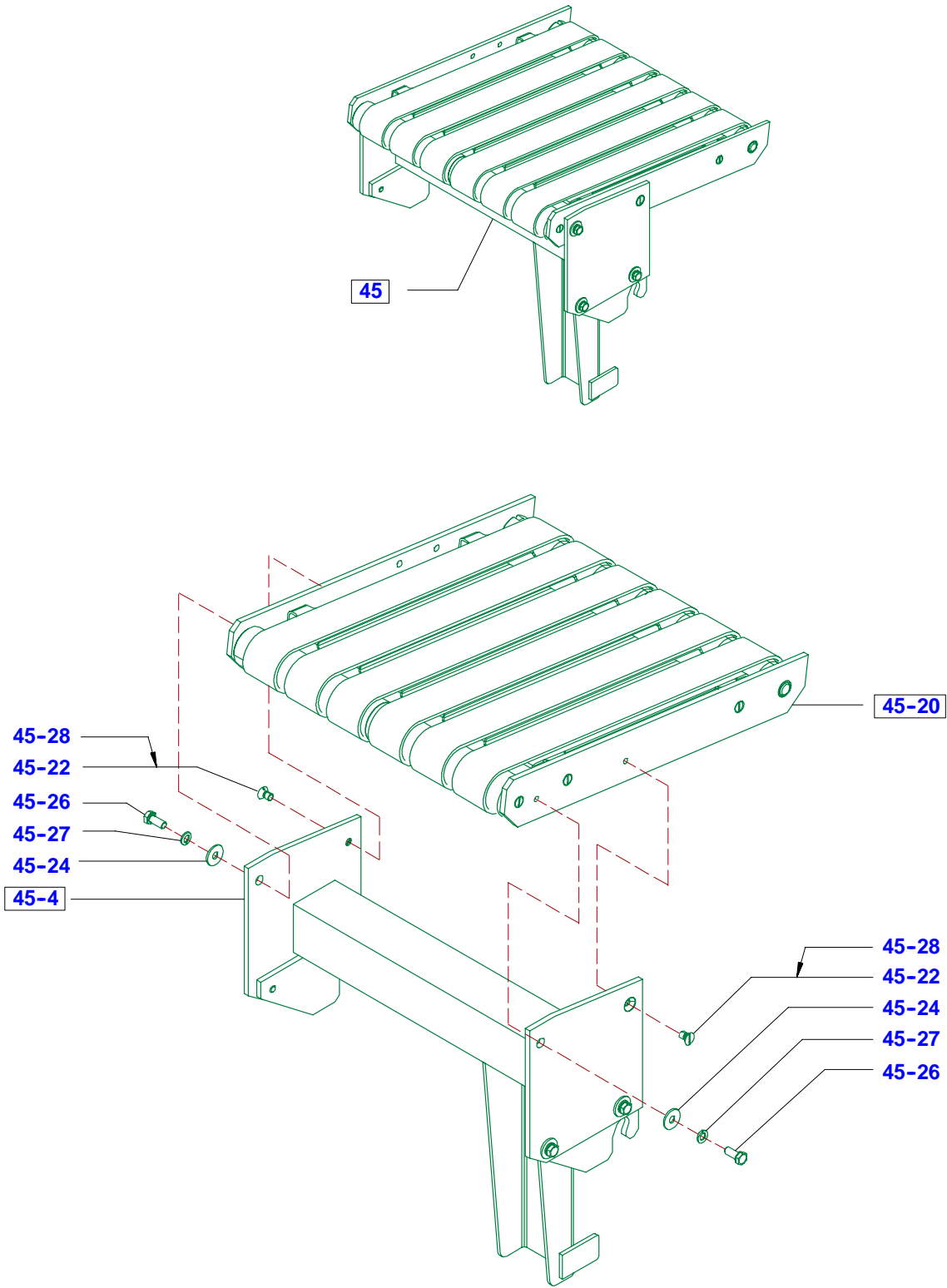
8mm belts



4

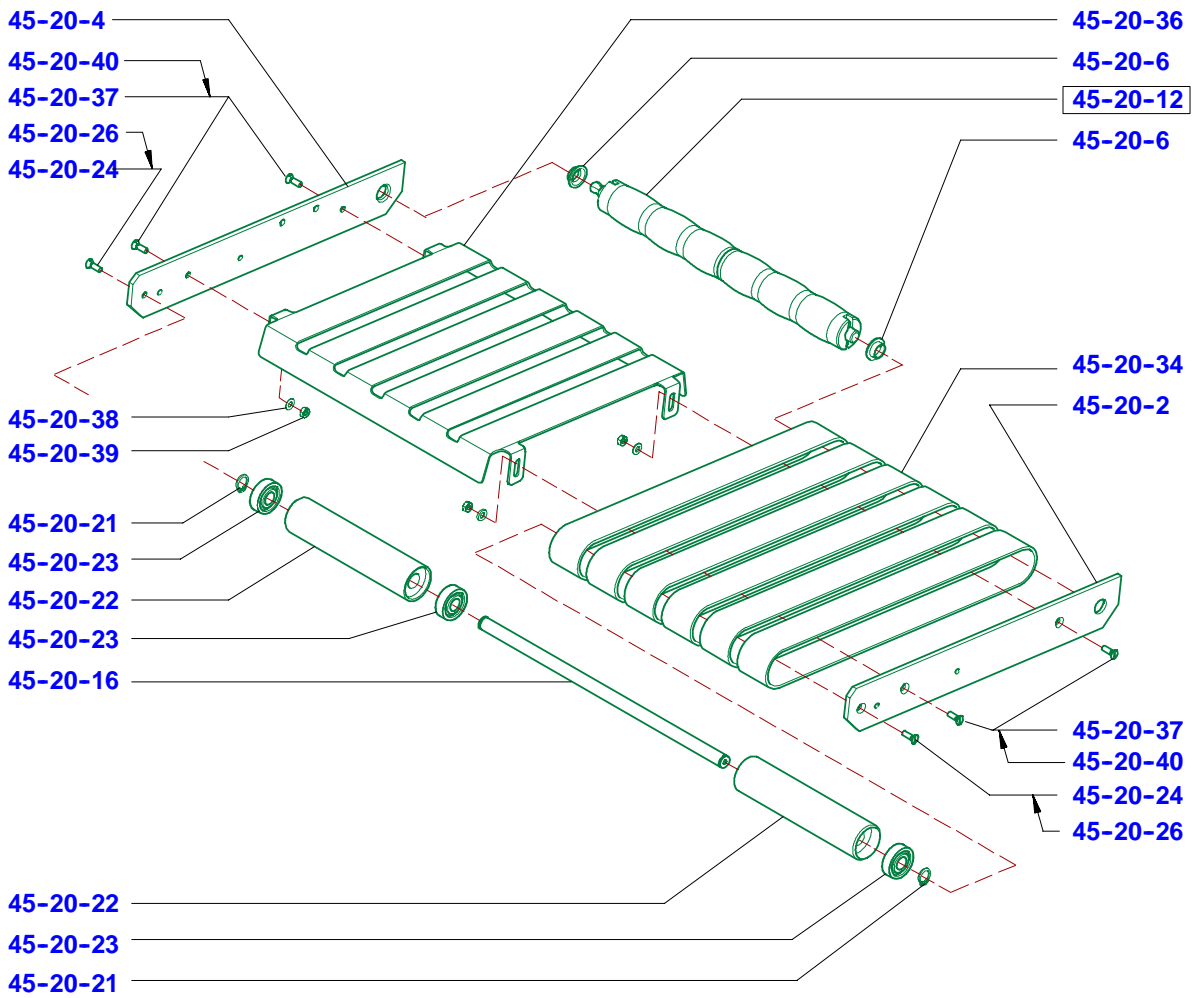
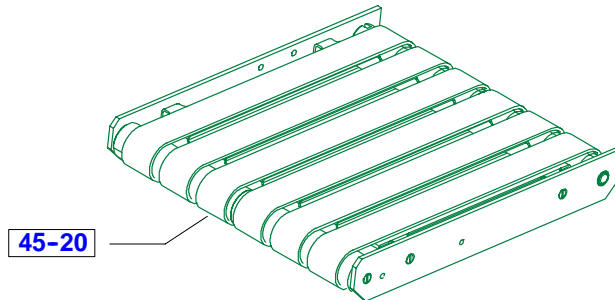
### Conveyor belt with belt

30mm belts



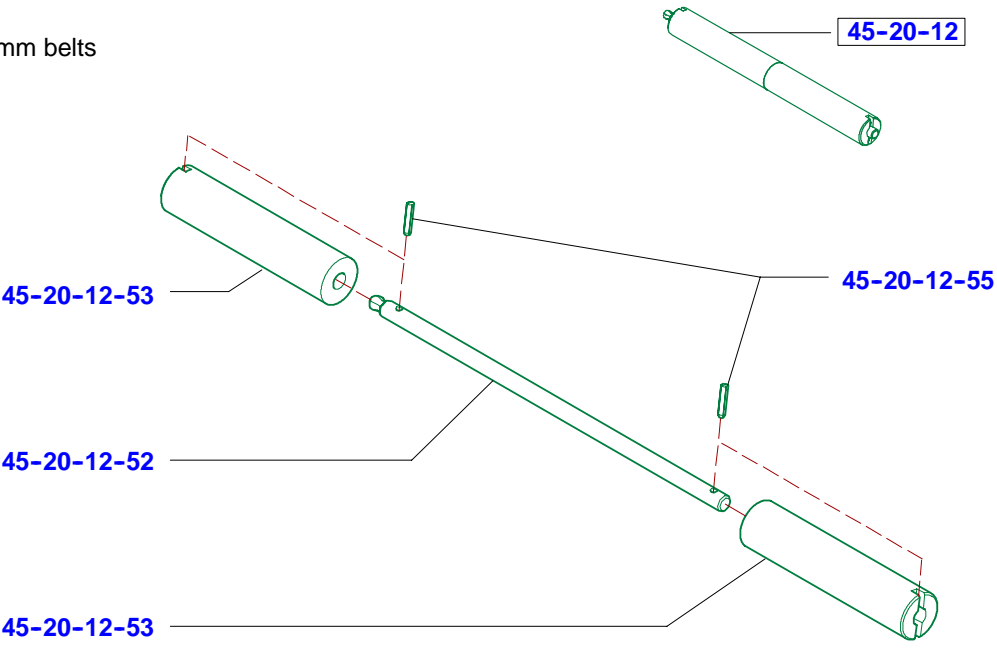
### Conveyor belt with belt

30mm belts

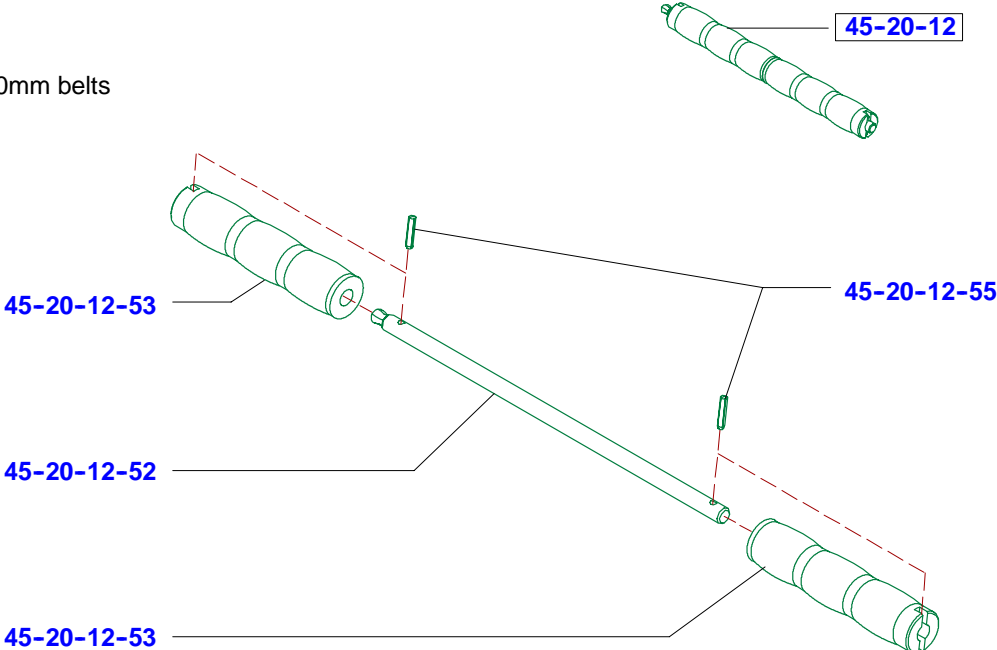


**Conveyor belt with belt**

8mm belts

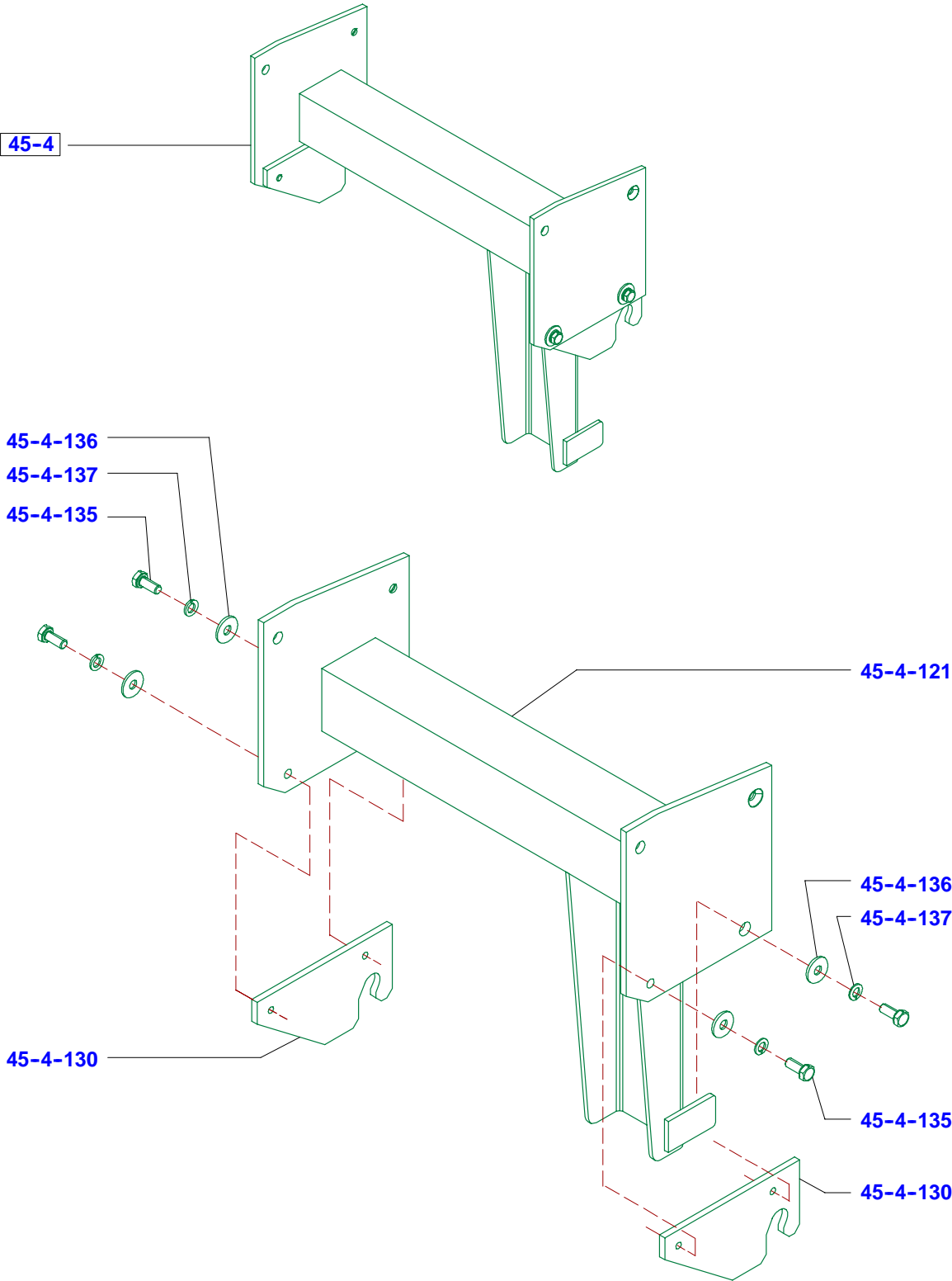


30mm belts



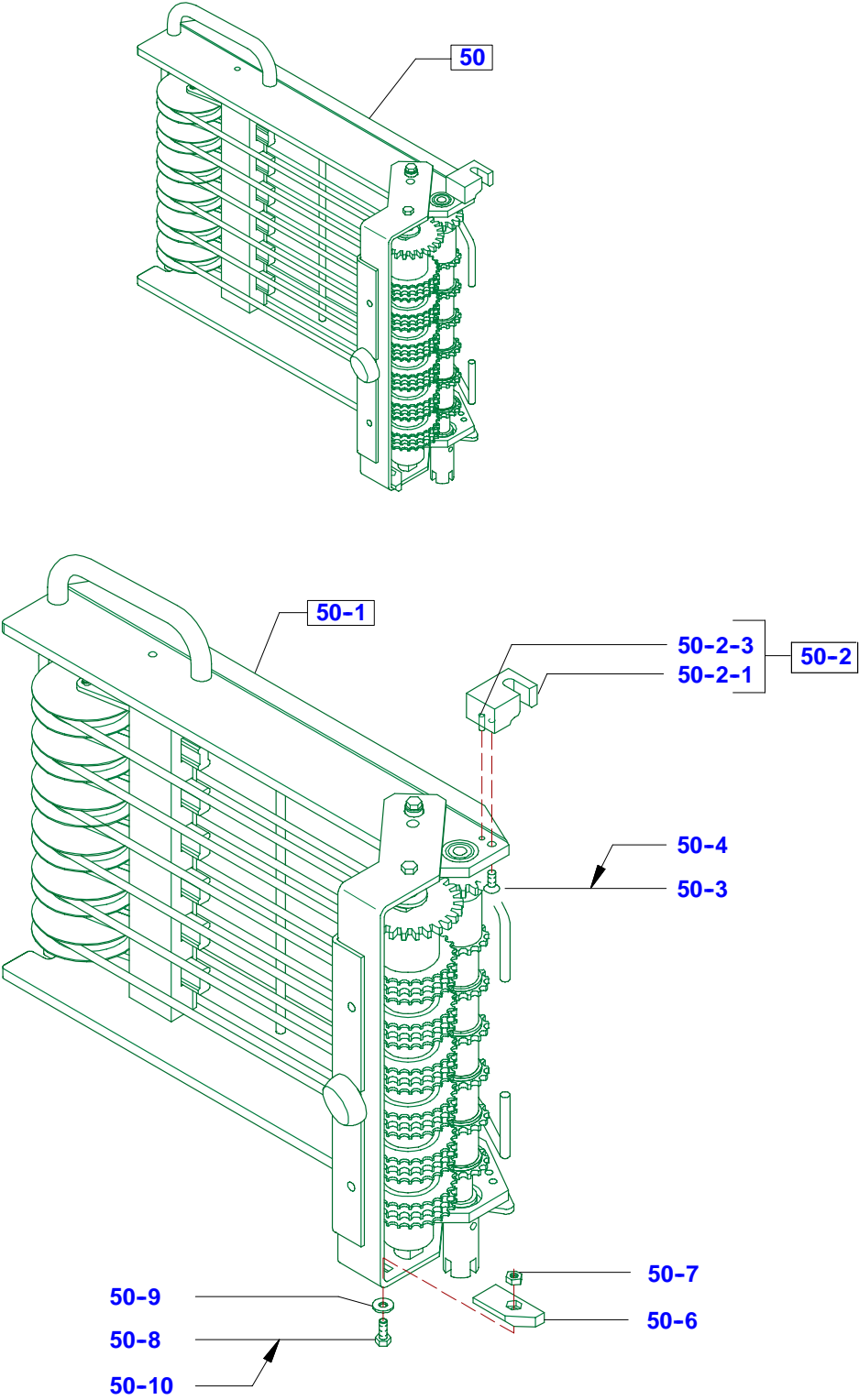
Page of drawing <b>100</b>	<b>A 400 / A 400 FB</b>	Spare parts list No. <b>054.98.3.1013</b>	Series (code No.) <b>90.077</b>
-------------------------------	-------------------------	--	------------------------------------

**Conveyor belt with belt**

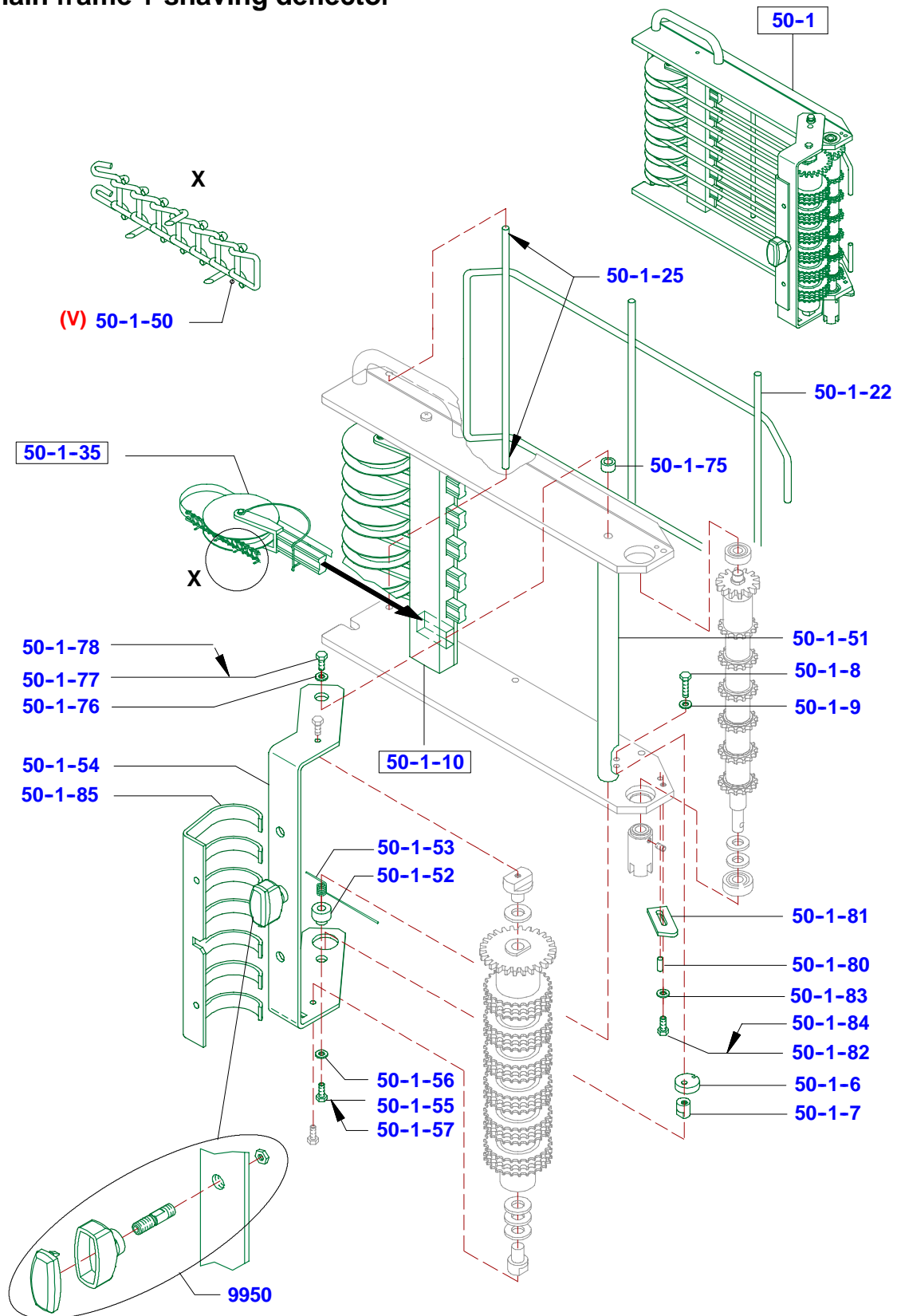


**4**

**Chain frame + shaving deflector**

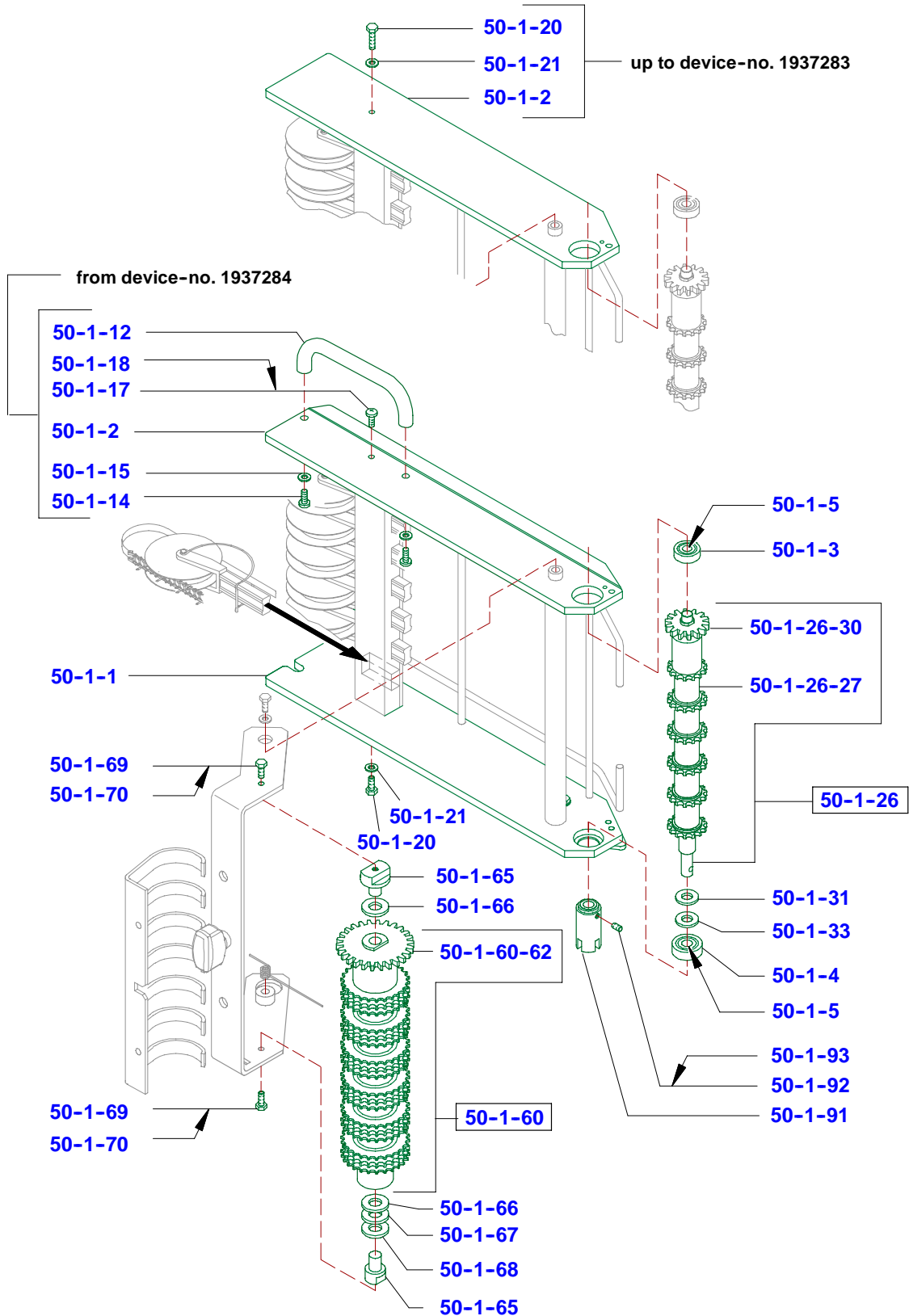


### Chain frame + shaving deflector



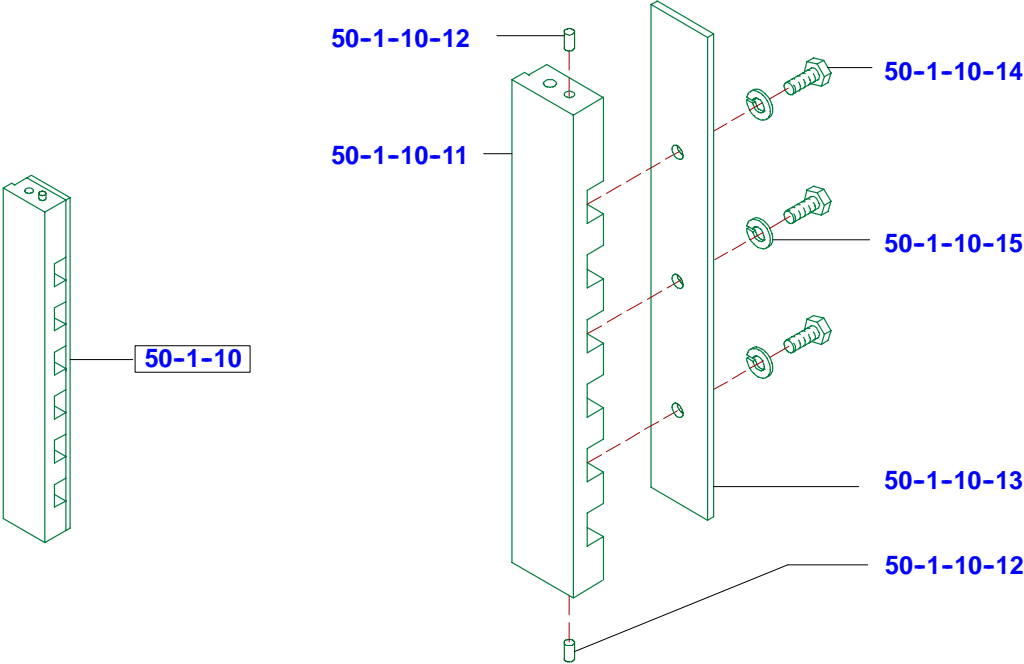
4

## Chain frame + shaving deflector

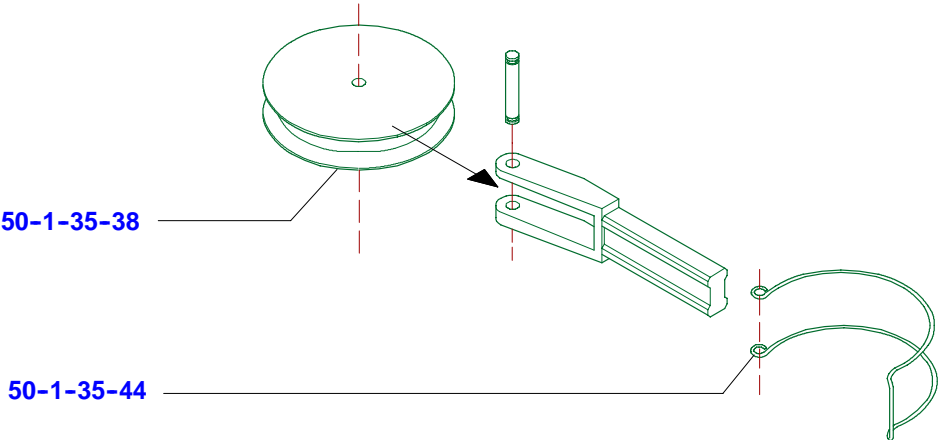
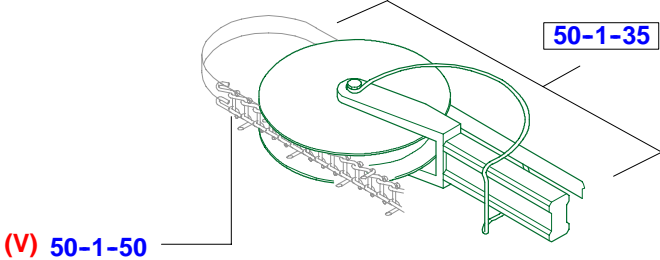


Page of drawing <b>104</b>	<b>A 400 / A 400 FB</b>	Spare parts list No. <b>054.98.3.1013</b>	Series (code No.) <b>90.077</b>
-------------------------------	-------------------------	--	------------------------------------

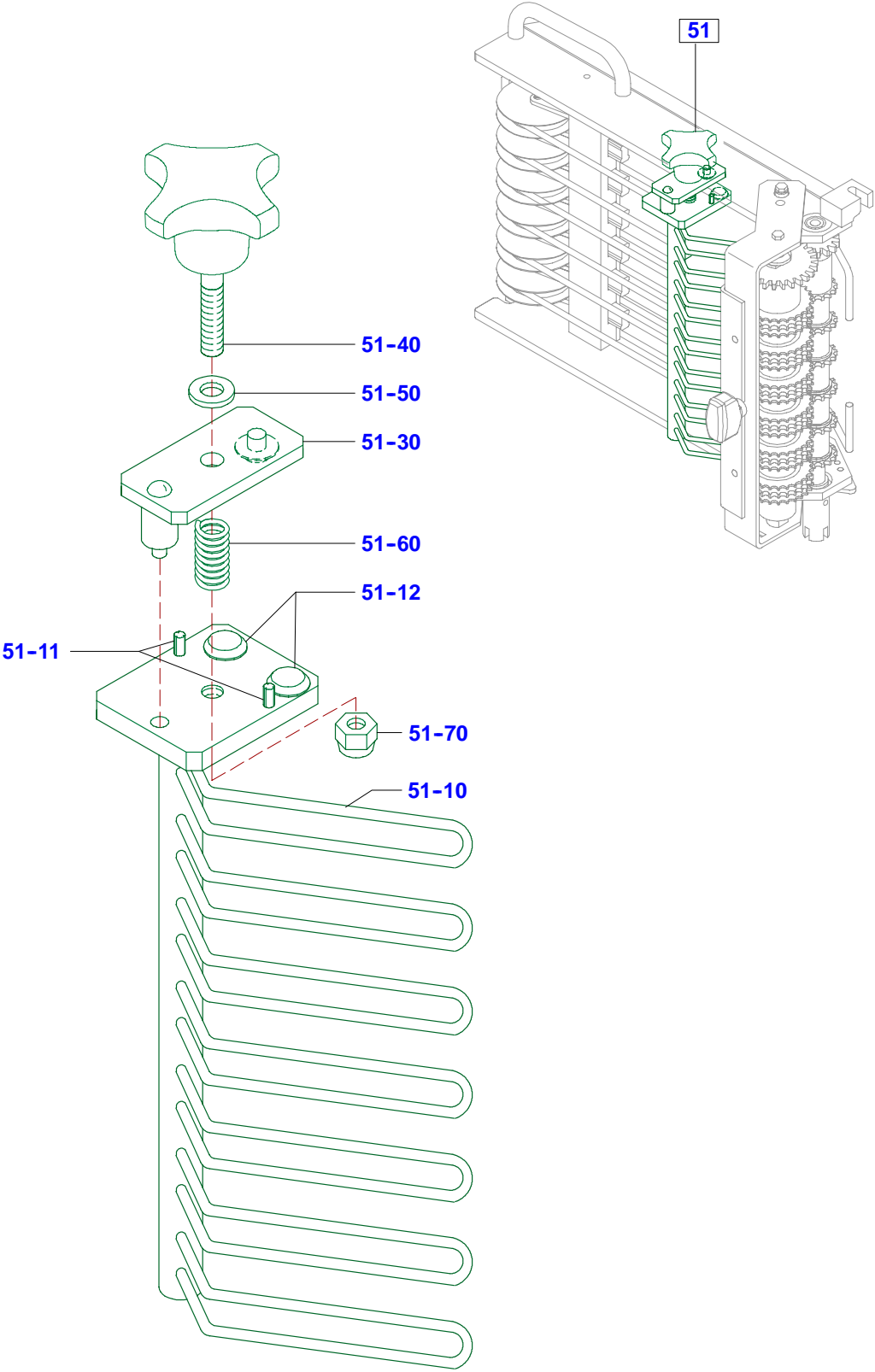
**Chain frame + shaving deflector**



**4**



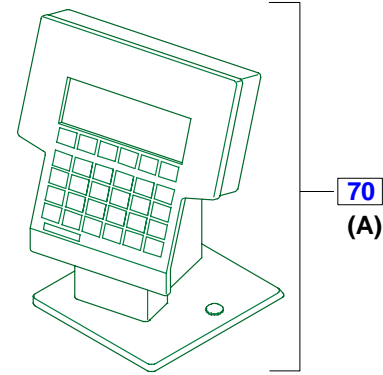
**Chain frame + shaving deflector**



**Display tableau**  
up to device-no. 10511169



69



70  
(A)

(EEPROM)  
70-7-402

70-7

70-32

70-2

70-8

70-33

70-13

70-15

70-12

70-14

70-15

70-13

70-5

70-6

70-30

70-29

70-28

70-27

70-25

(A)

70-26

70-10

9-4

70-31

17

14

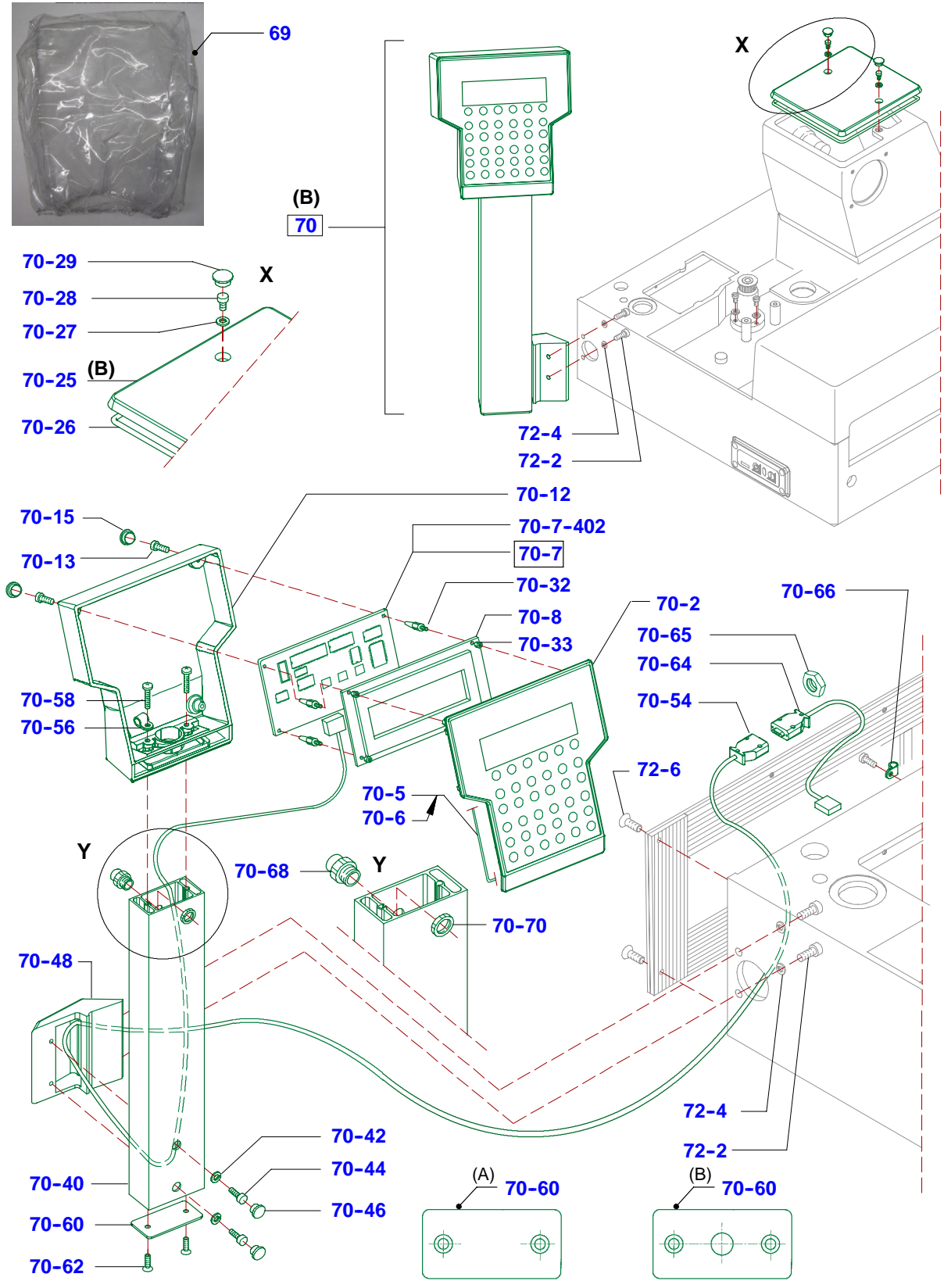
15

13

16

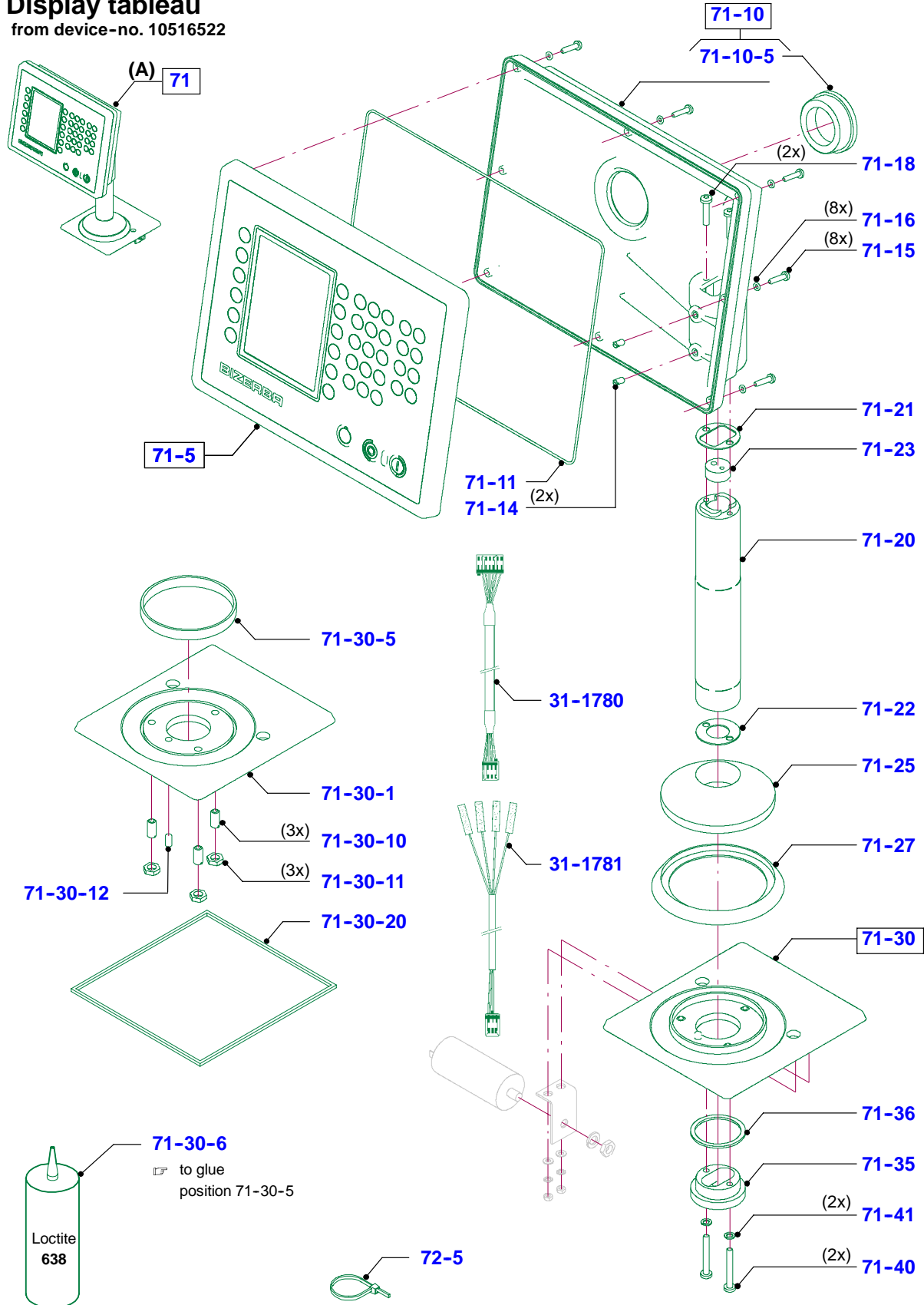
4

**Display tableau**  
from device-no. 10511169



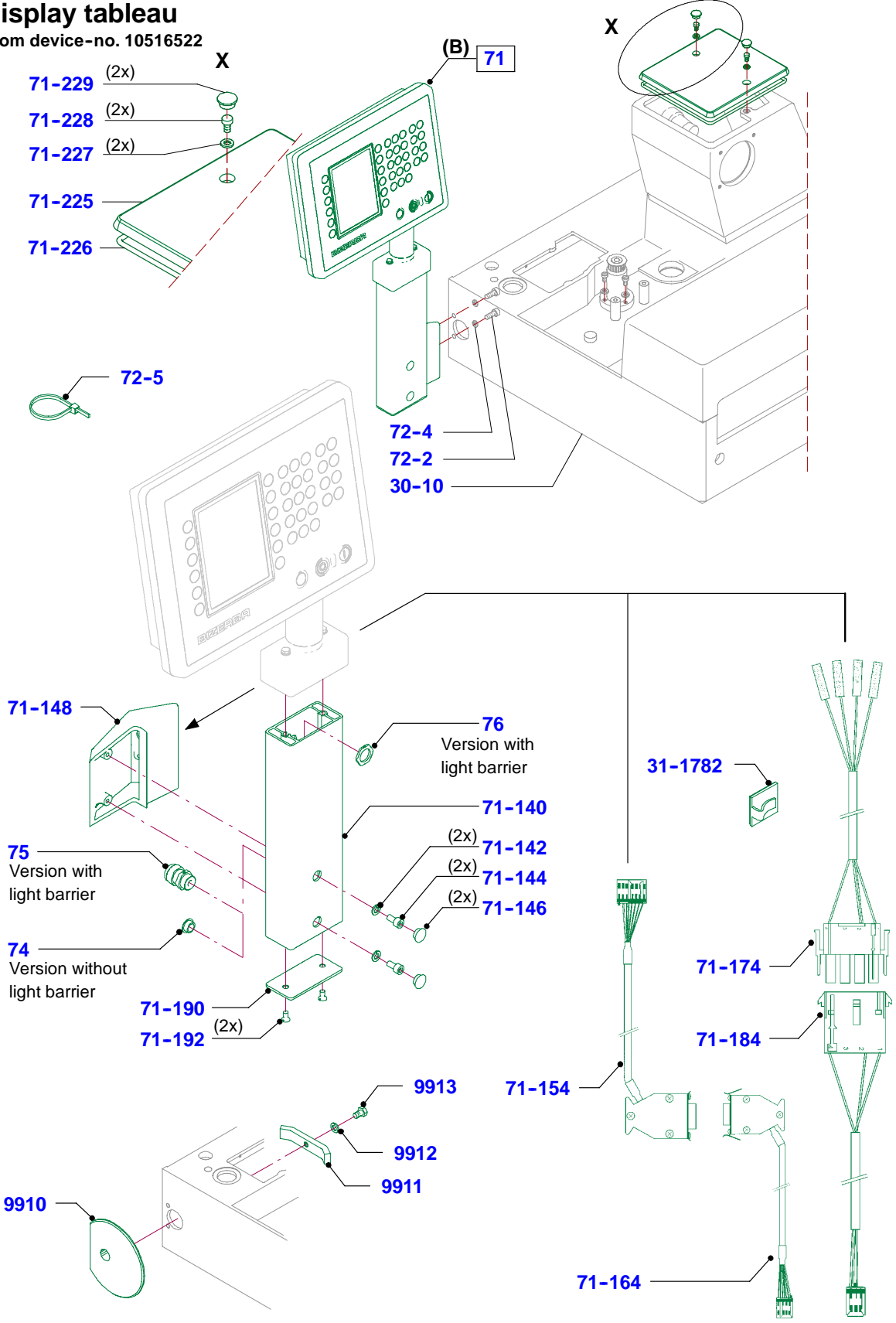
### Display tableau

from device-no. 10516522

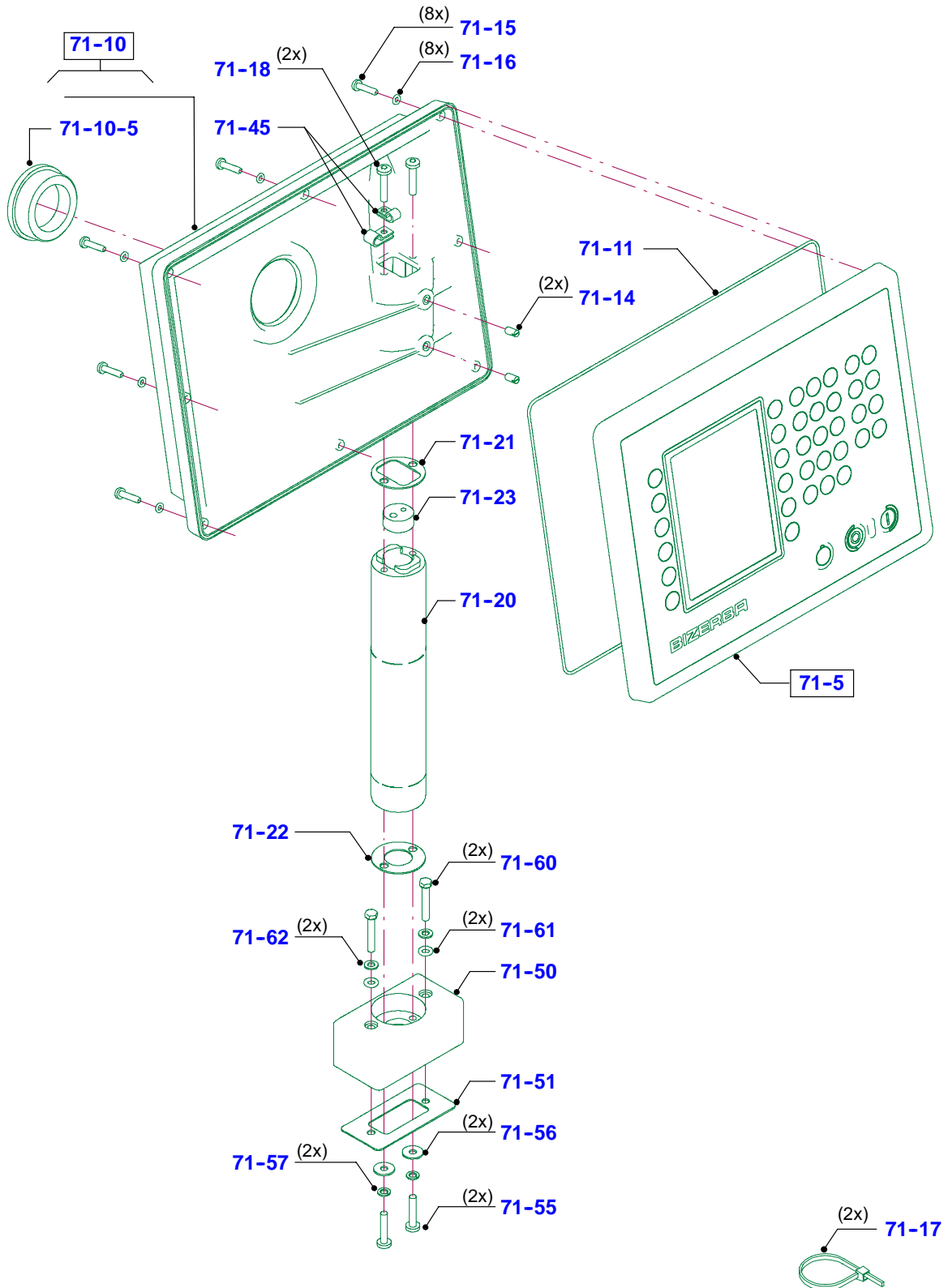


4

**Display tableau**  
from device-no. 10516522



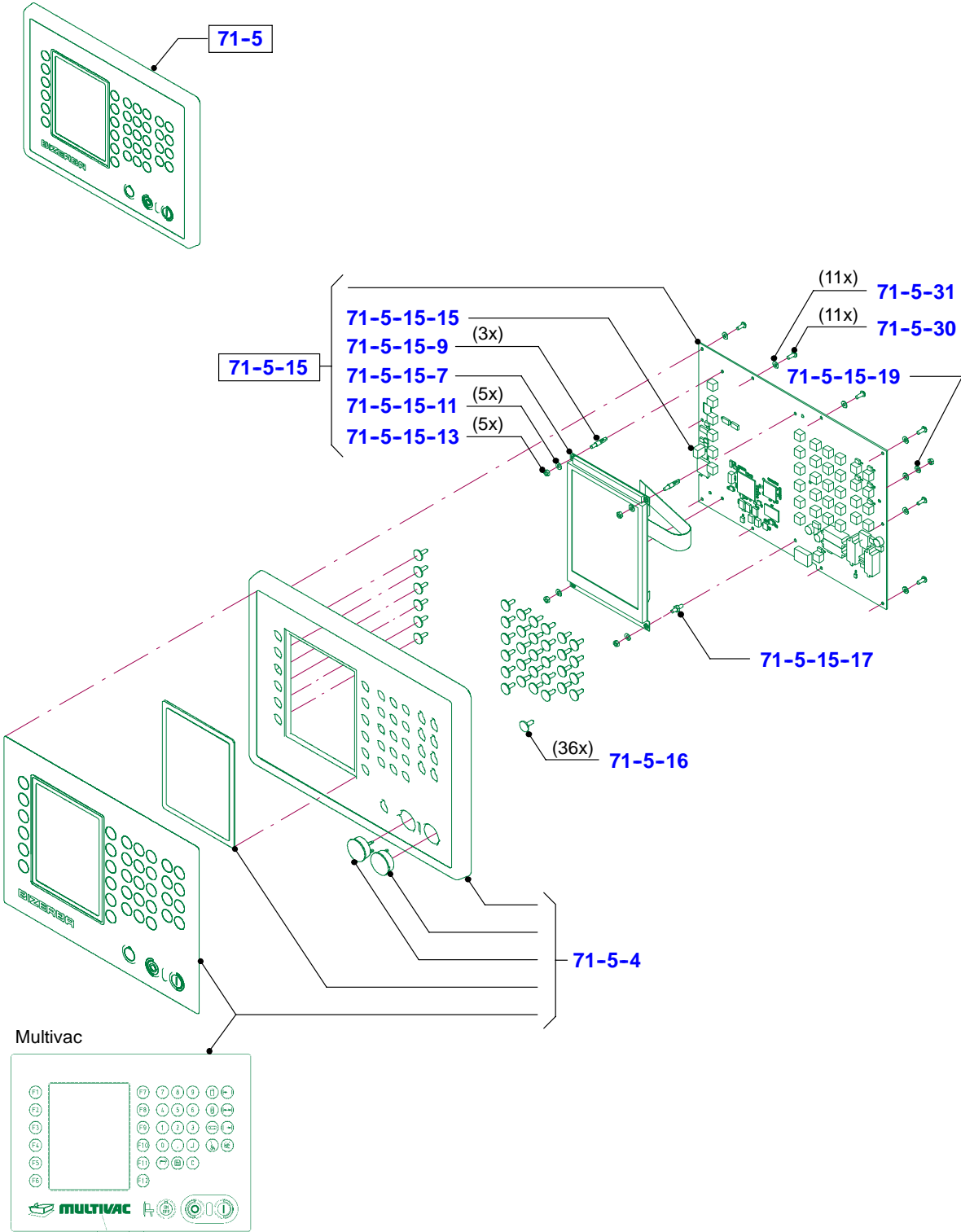
**Display tableau**  
from device-no. 10516522



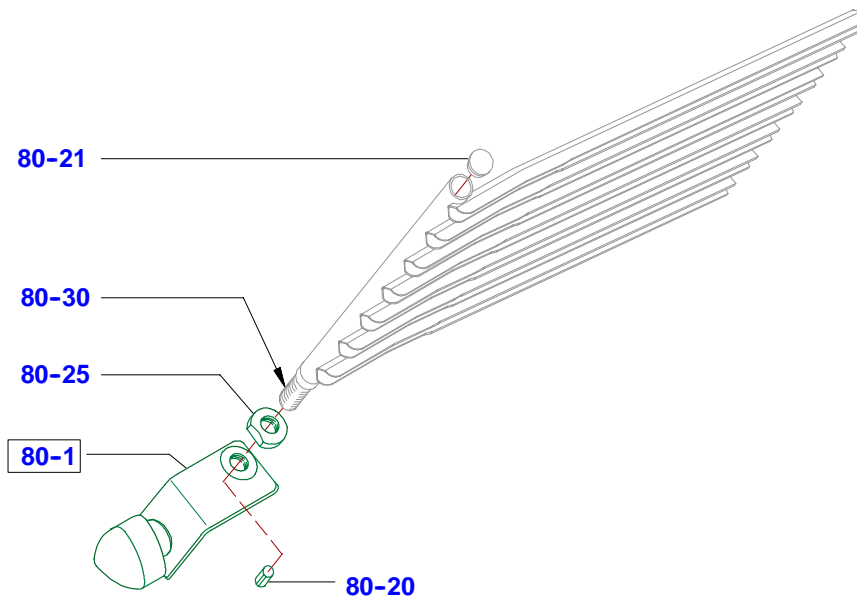
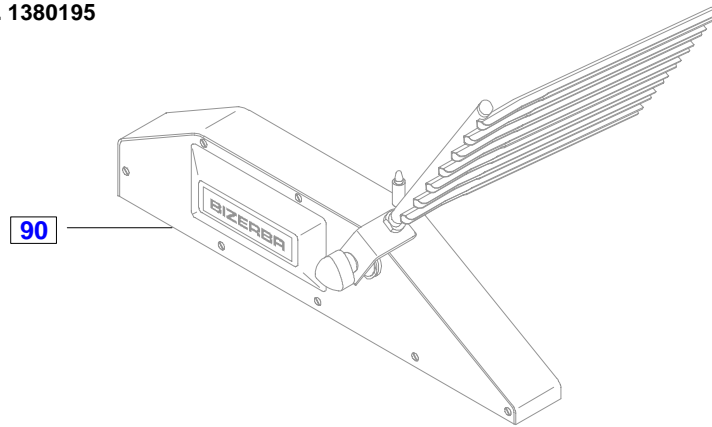
4

# Display tableau

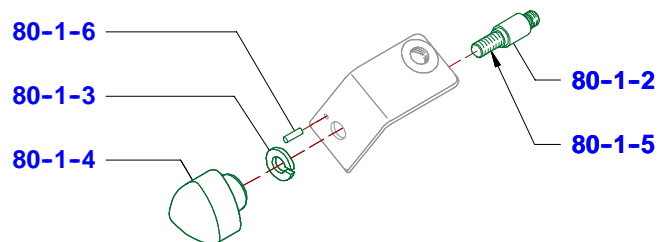
from device-no. 10516522



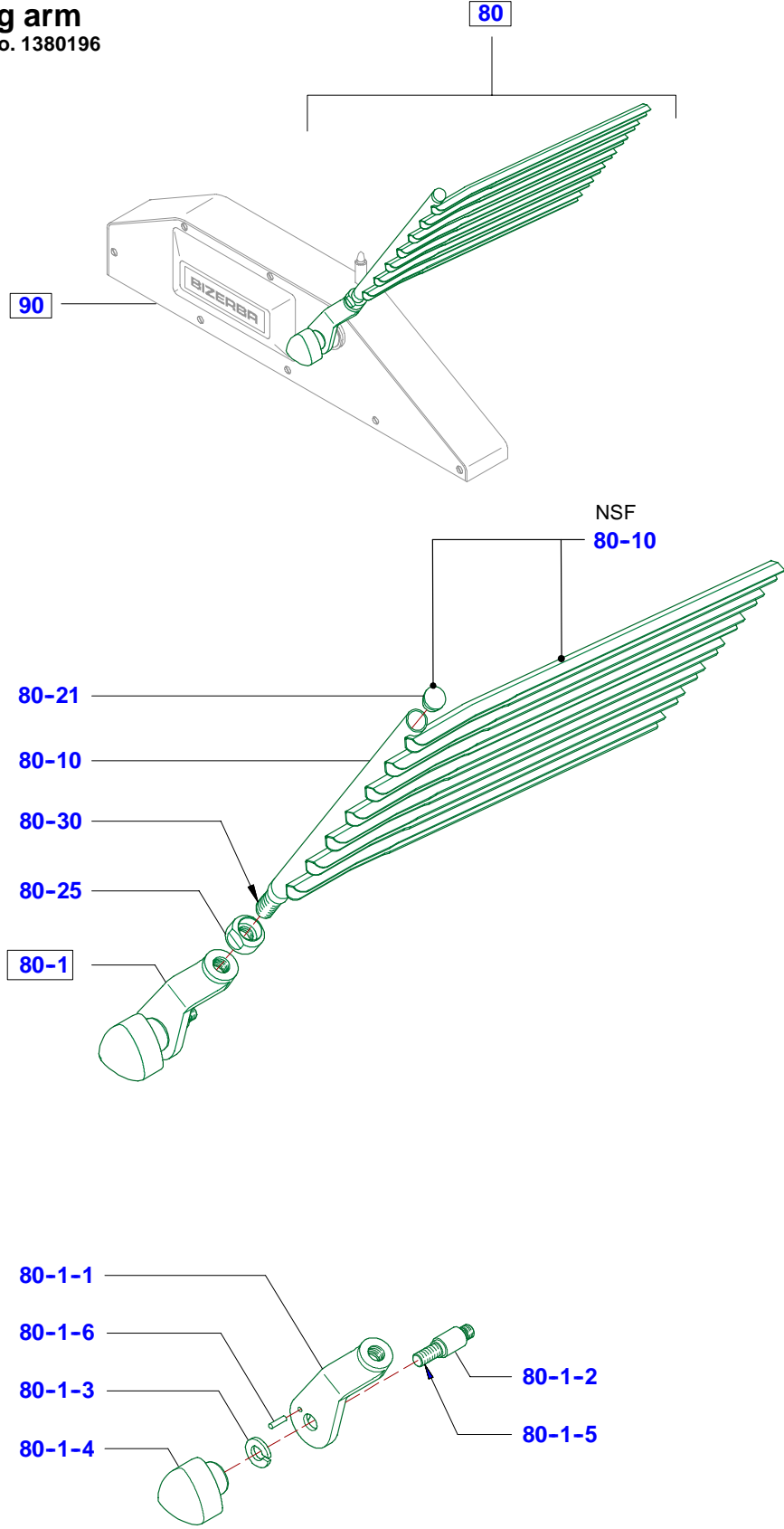
**Depositing arm**  
up to device-no. 1380195



**4**

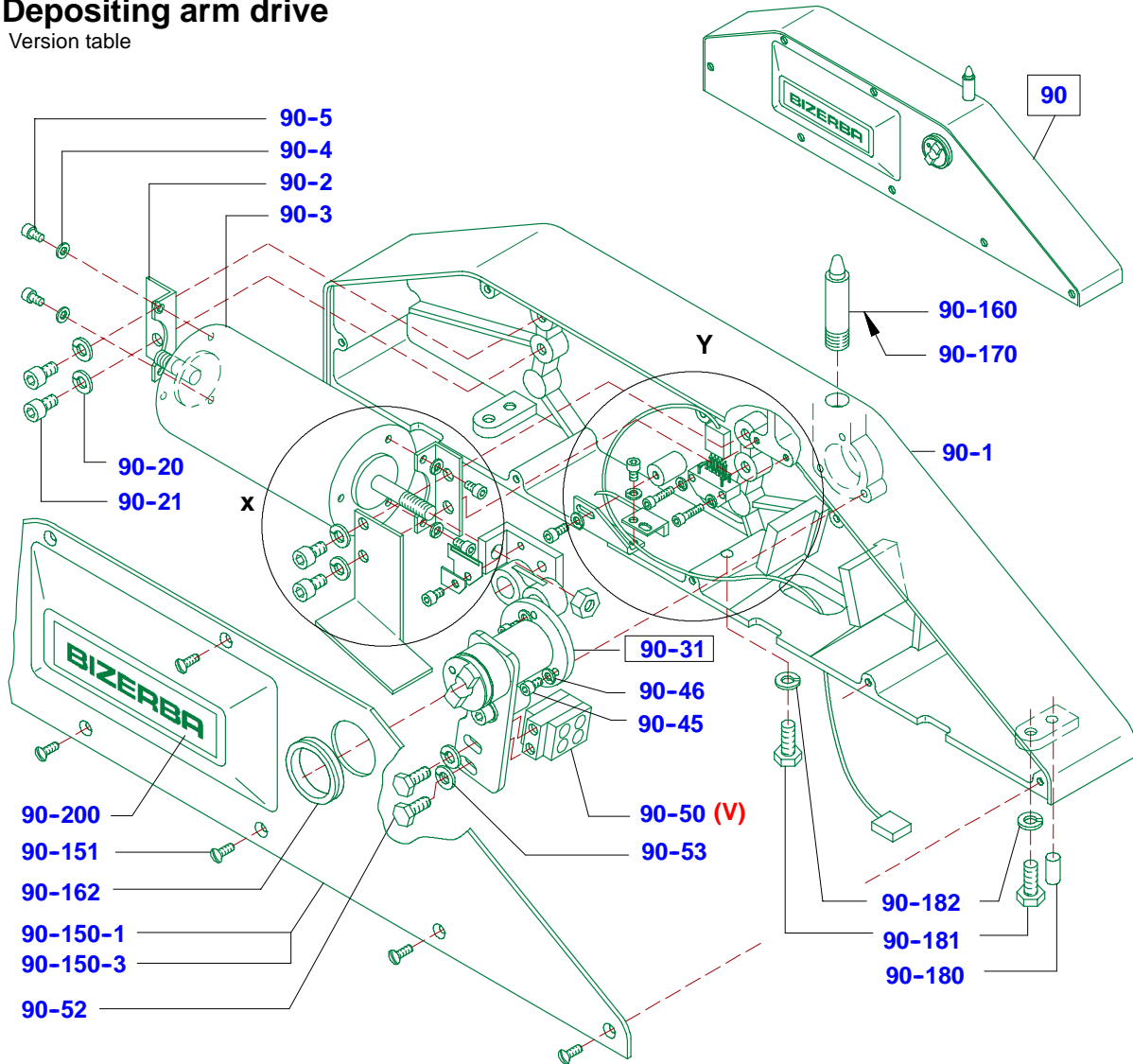


**Depositing arm**  
from device-no. 1380196

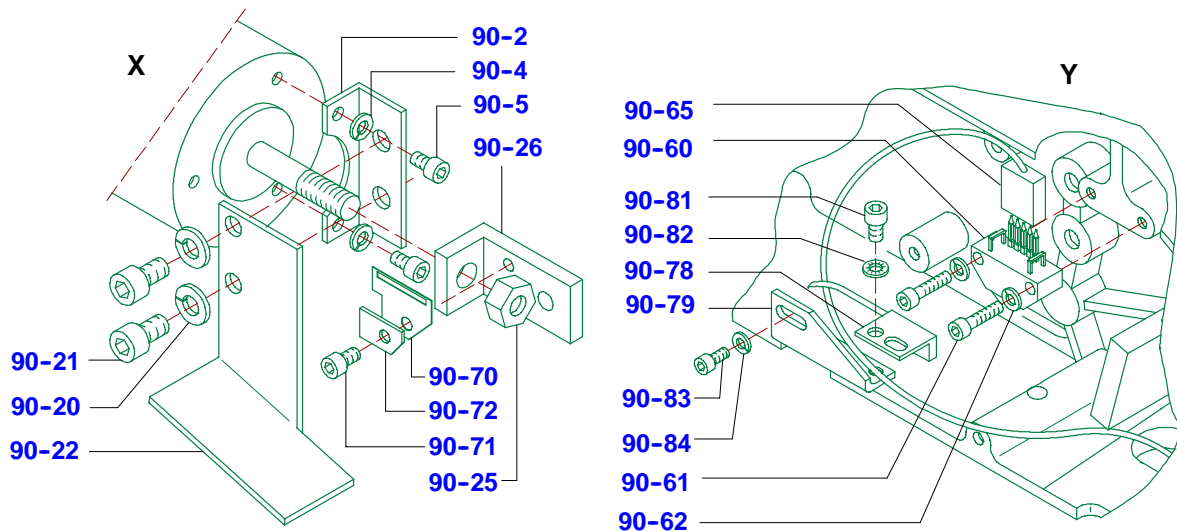


### Depositing arm drive

Version table

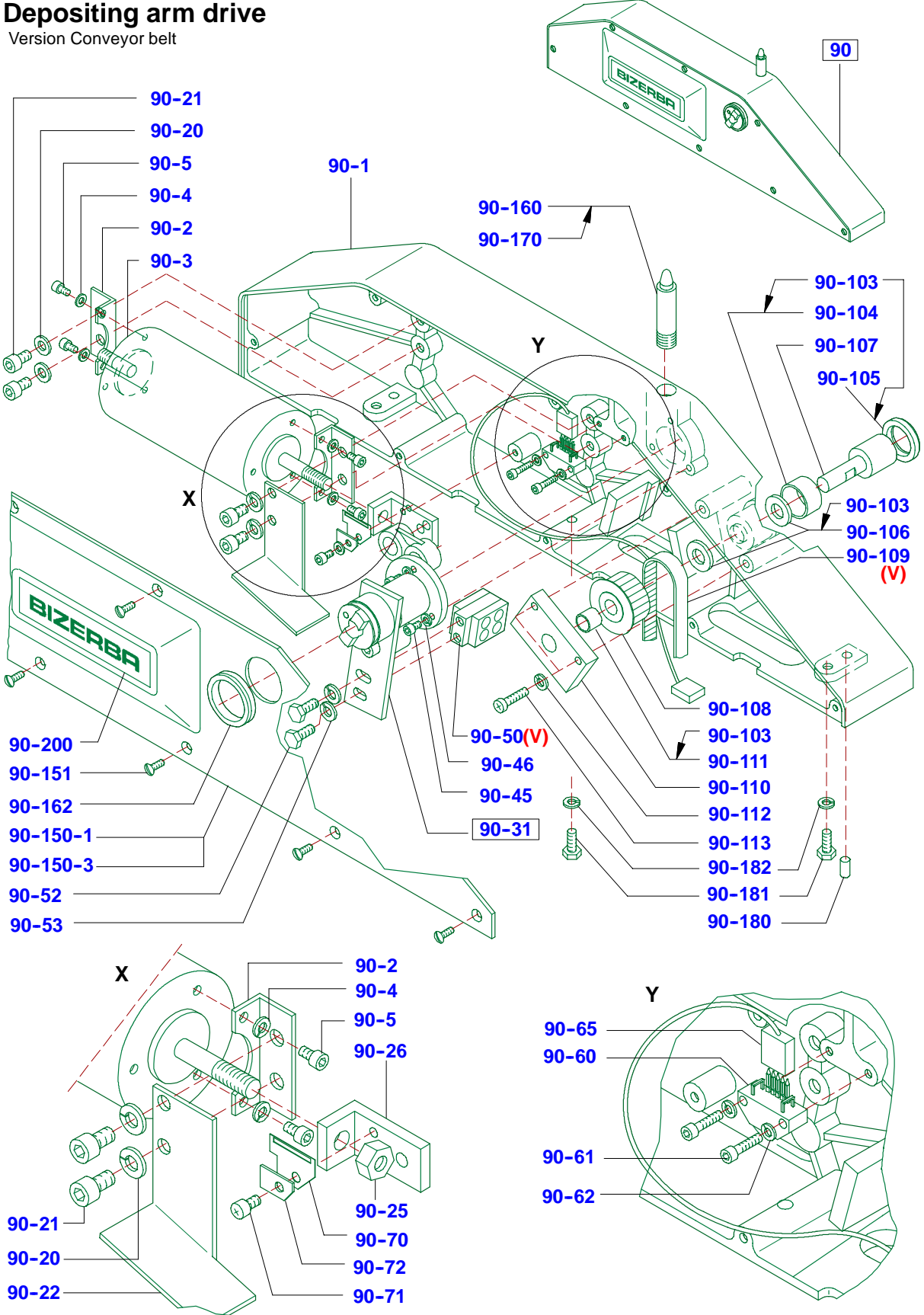


4

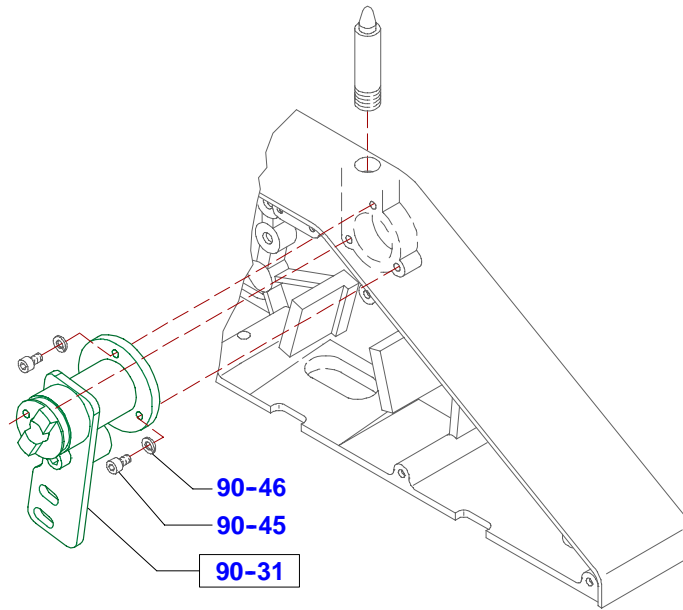


# Depositing arm drive

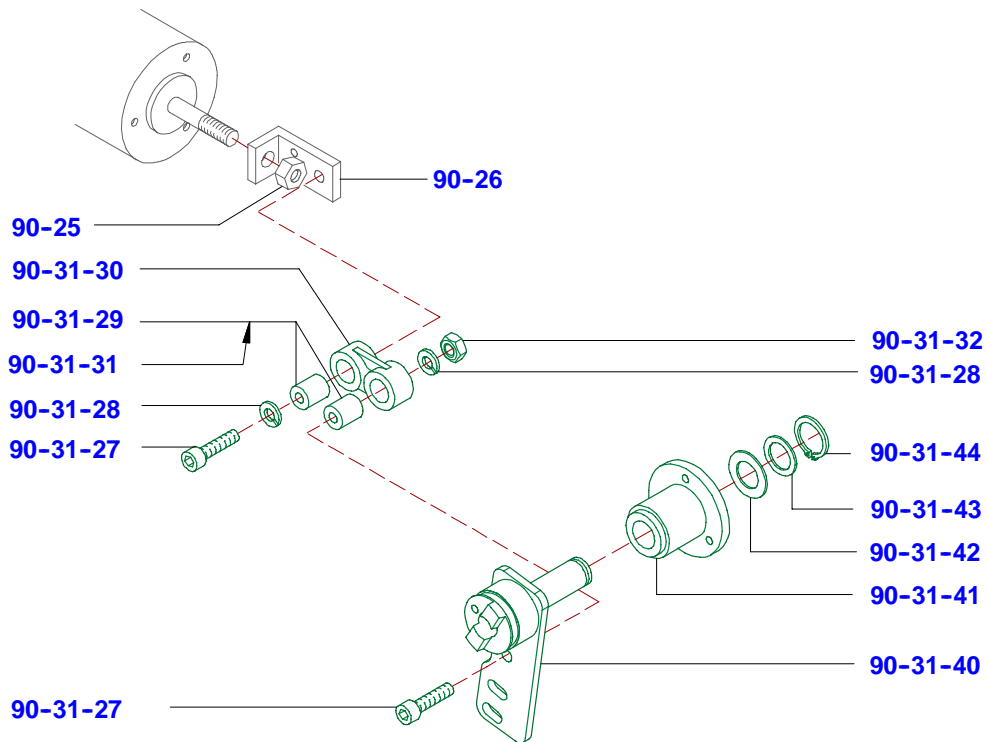
Version Conveyor belt



### Depositing arm drive

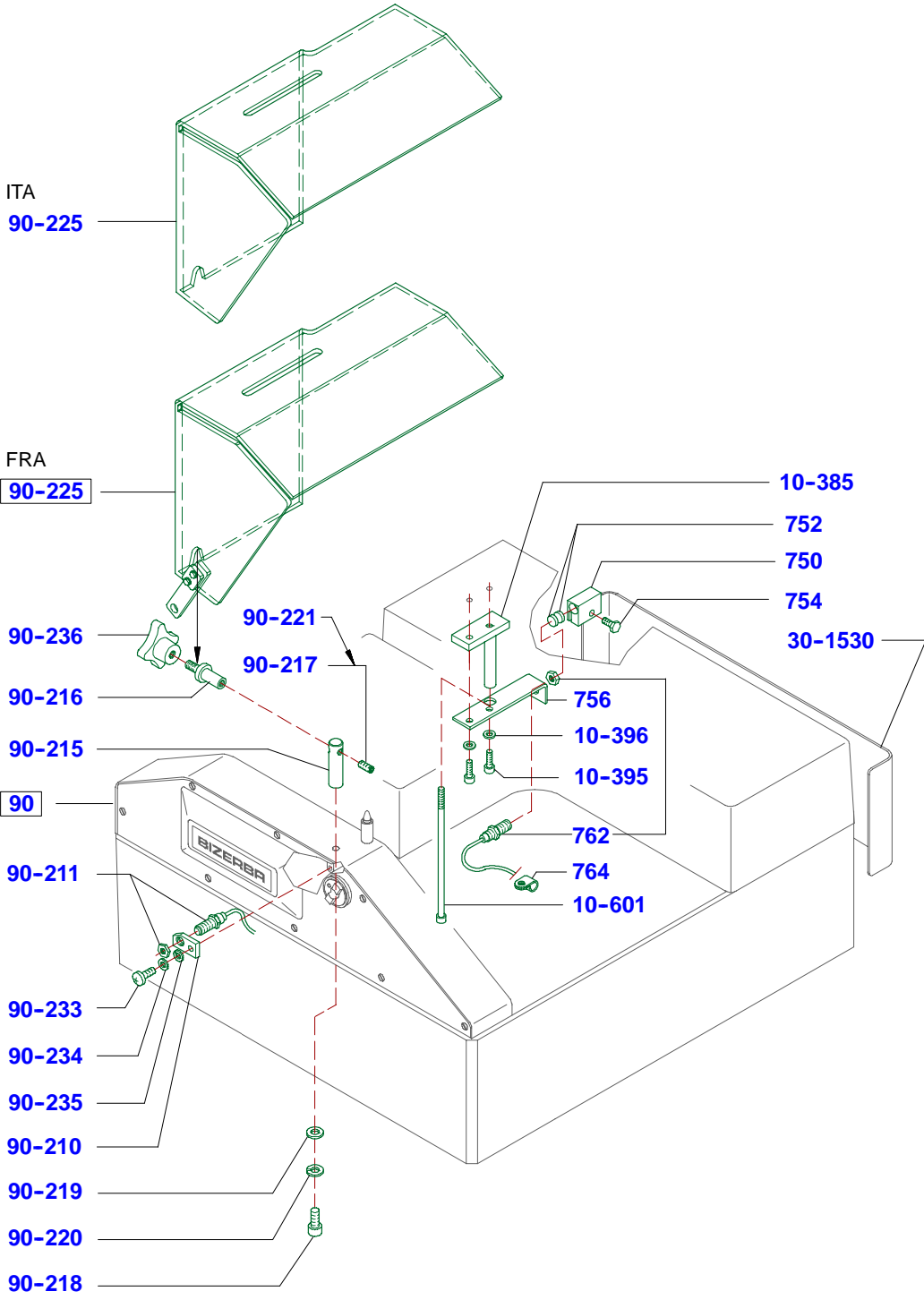


**4**



# Depositing arm drive

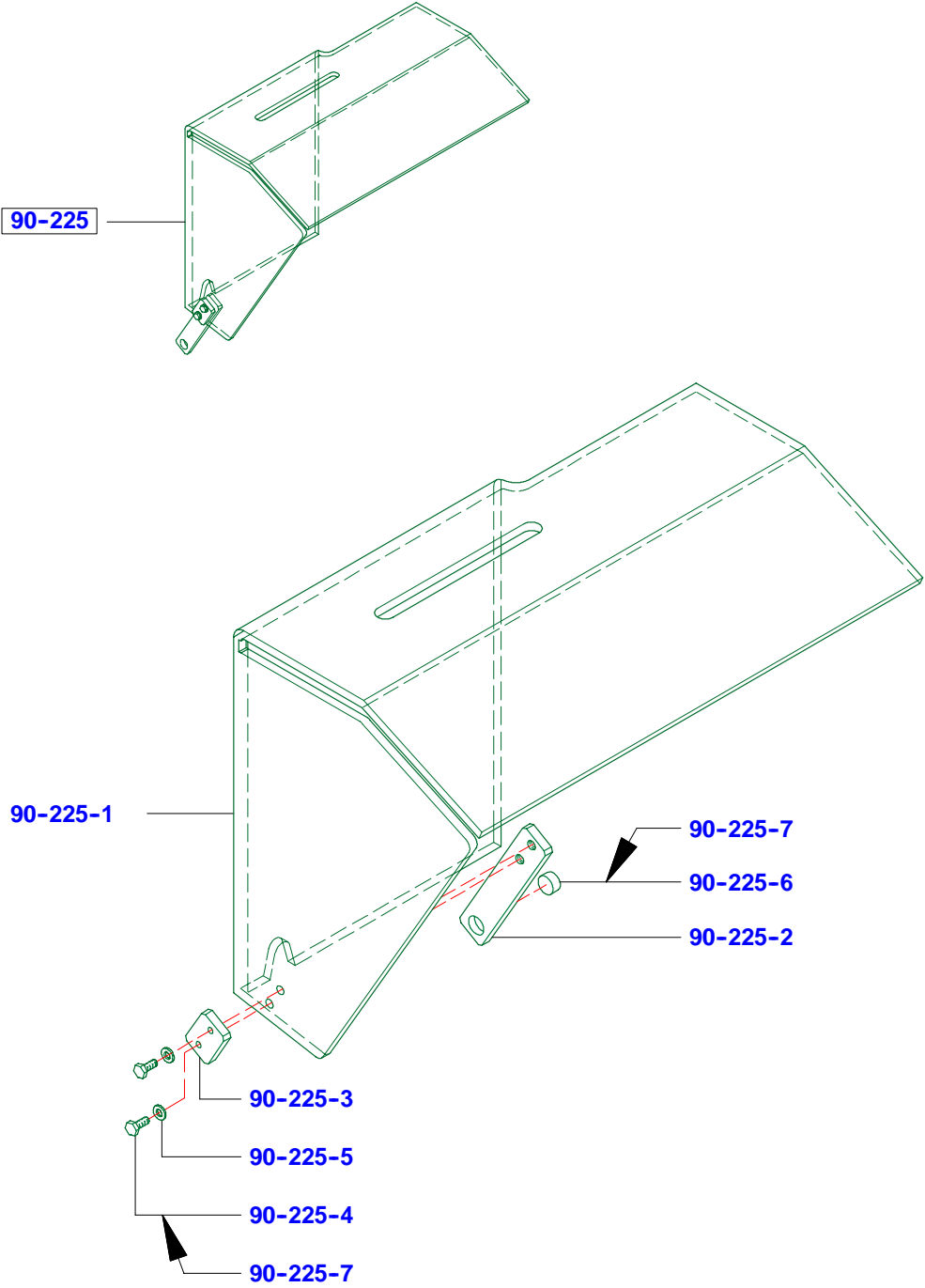
FRA + ITA



Page of drawing <b>118</b>	<b>A 400 / A 400 FB</b>	Spare parts list No. <b>054.98.3.1013</b>	Series (code No.) <b>90.077</b>
-------------------------------	-------------------------	--	------------------------------------

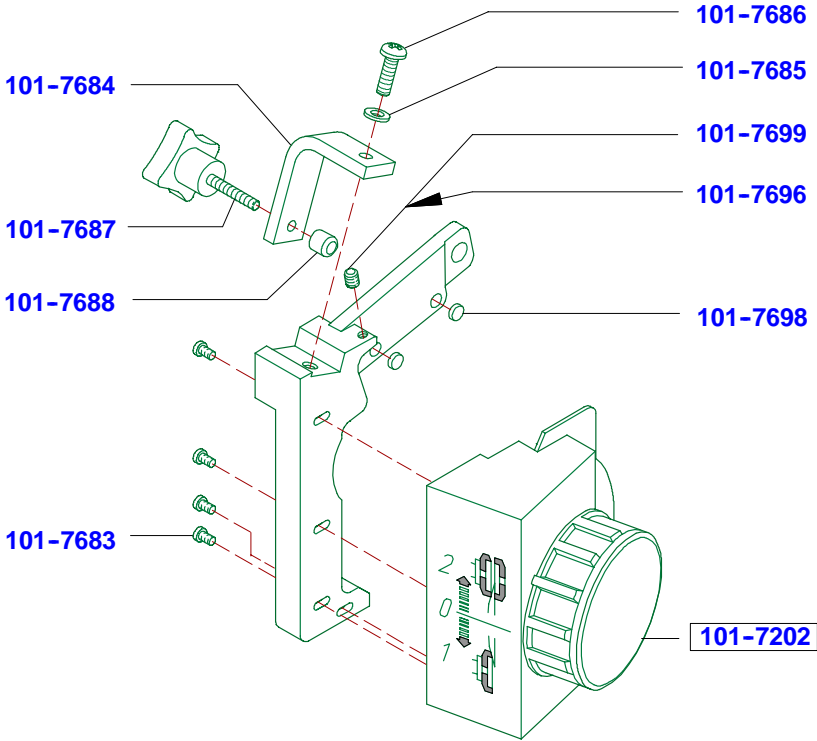
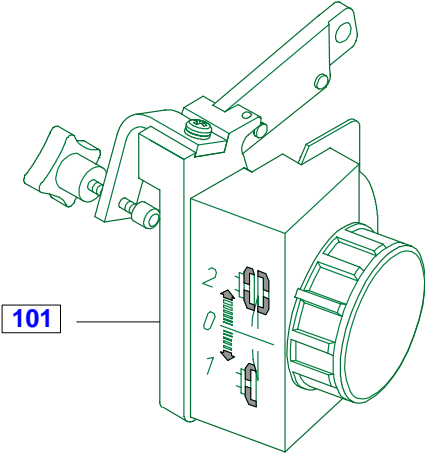
# Depositing arm drive

FRA

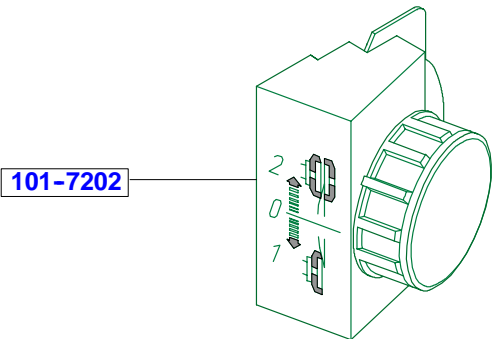


**4**

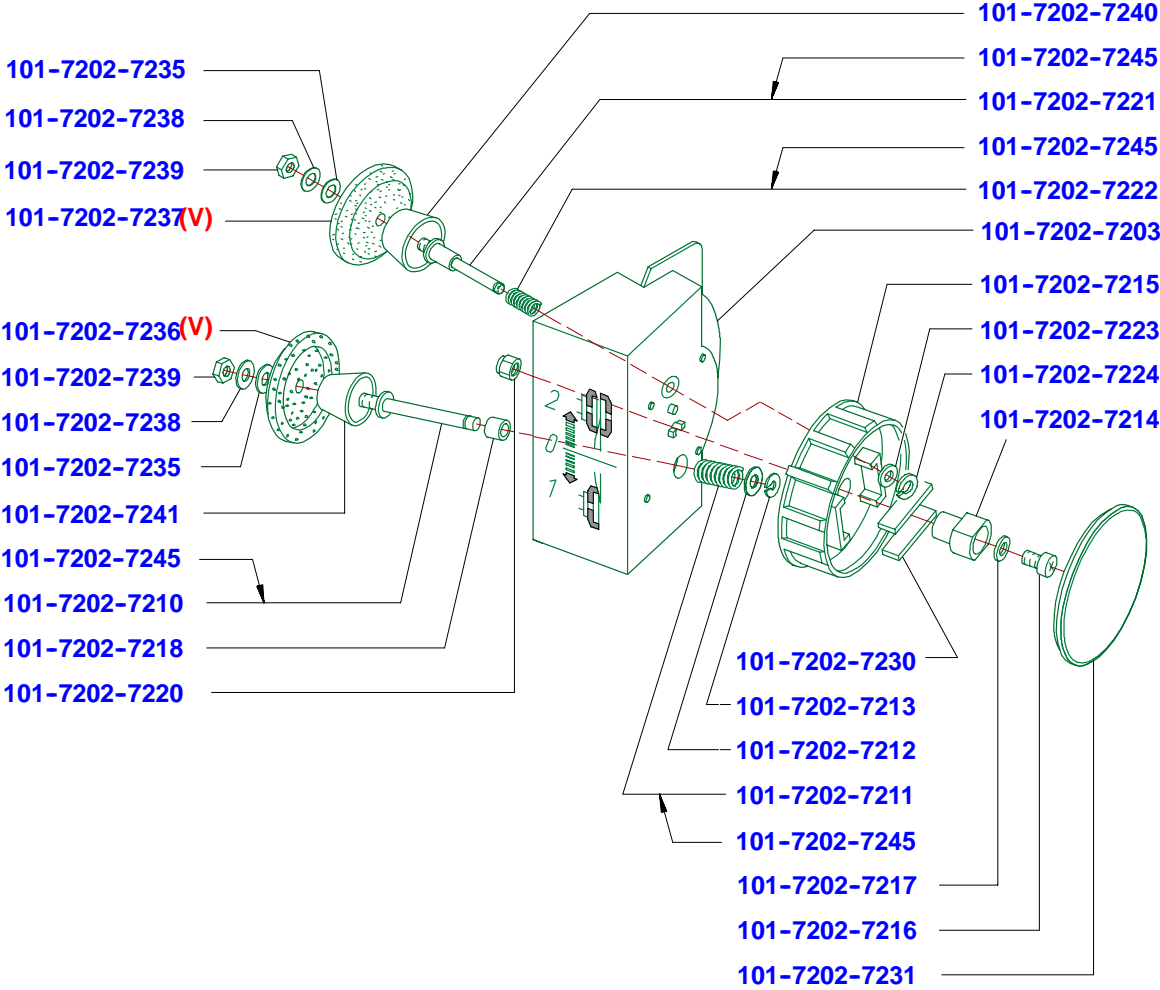
**Grinding device**



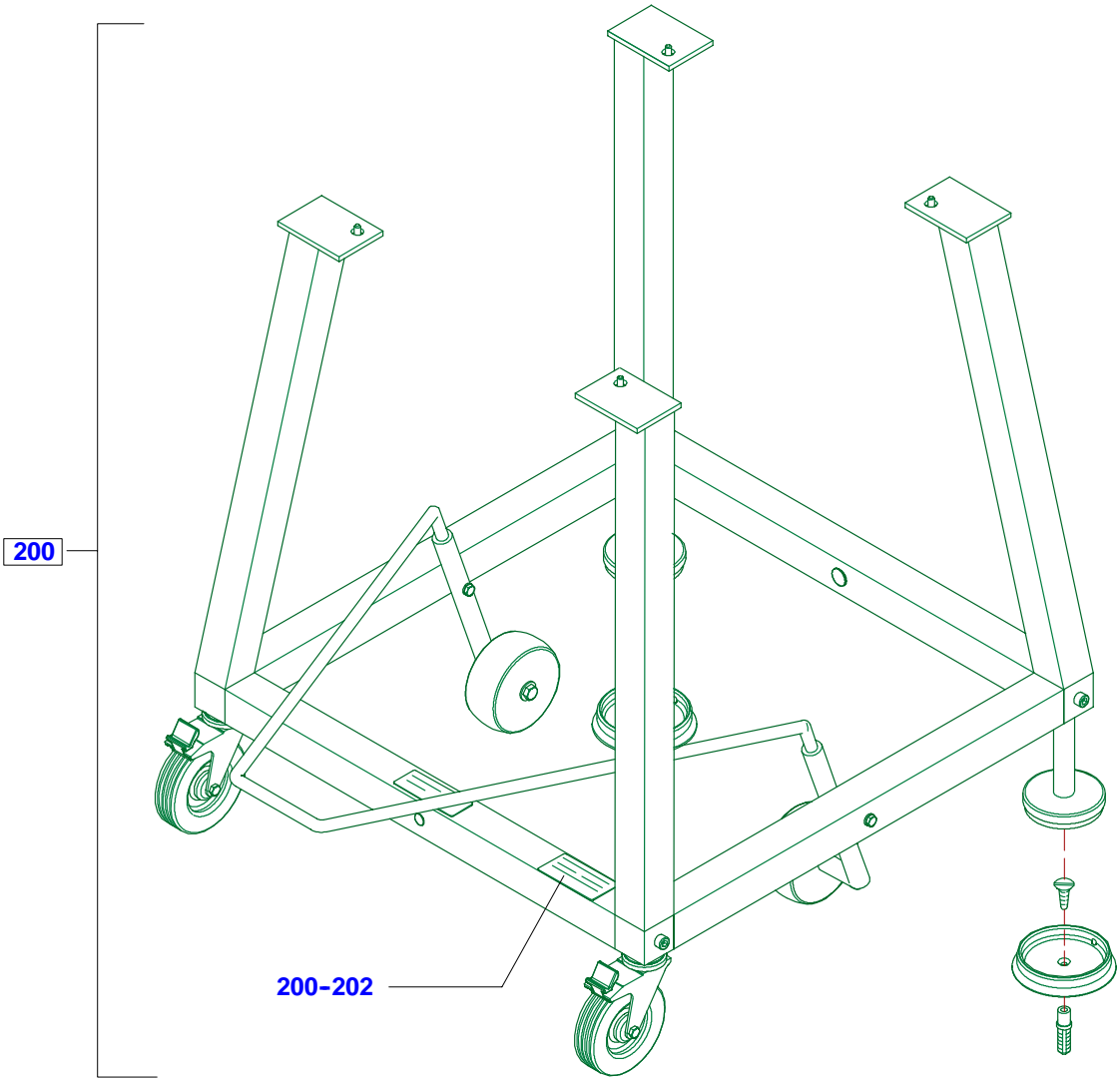
**Grinding device**



**4**



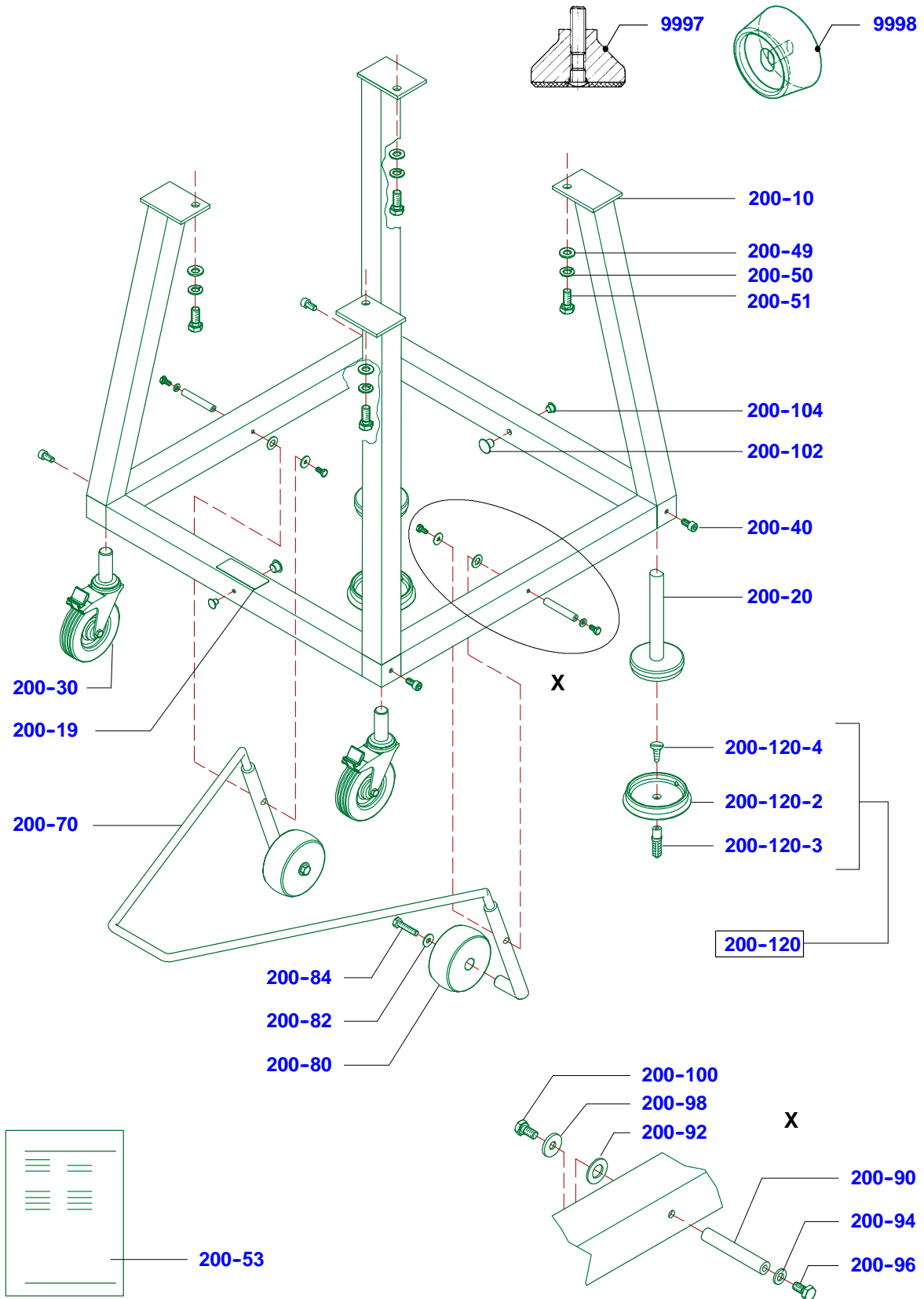
# Bench



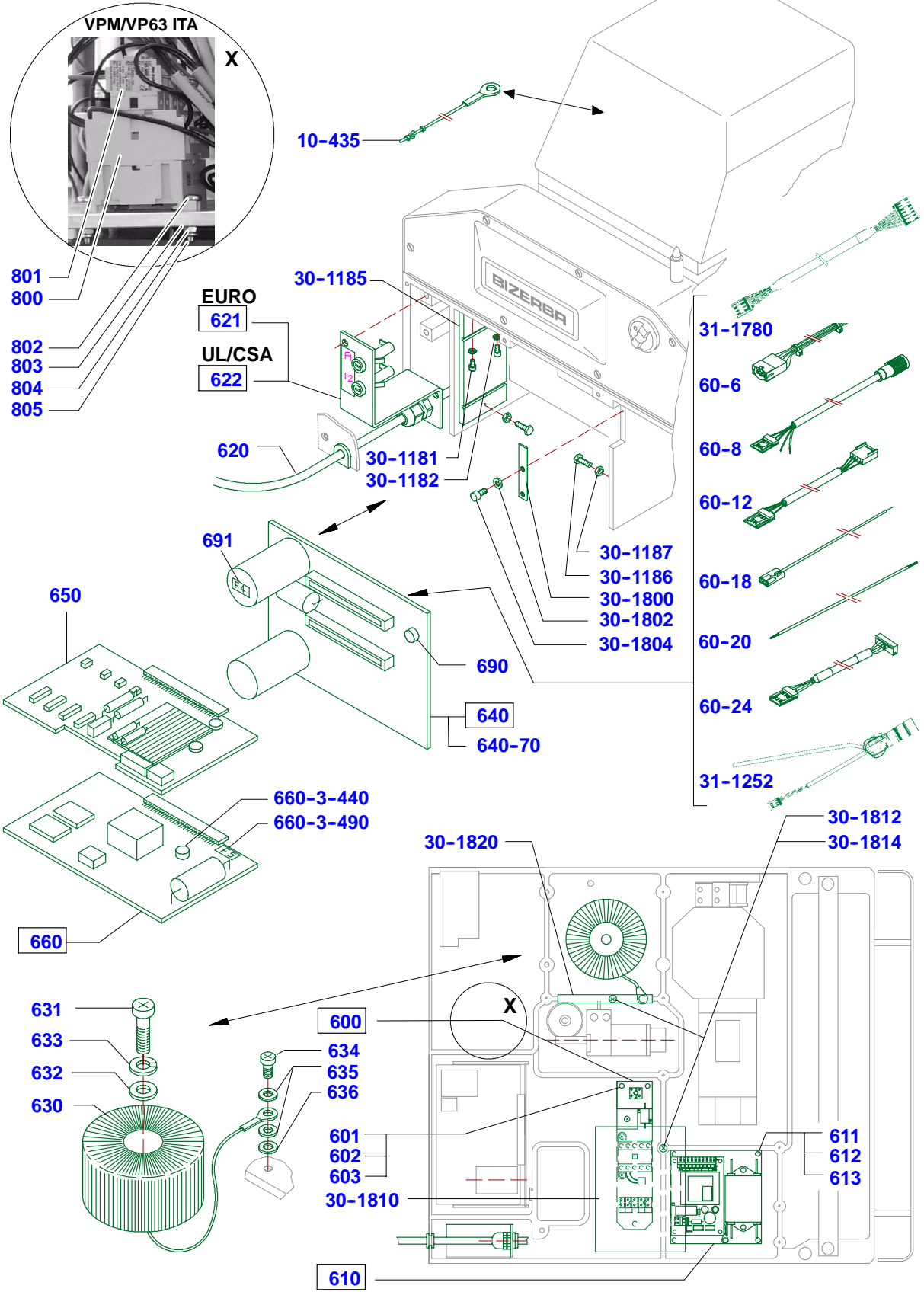
**4**

### Bench

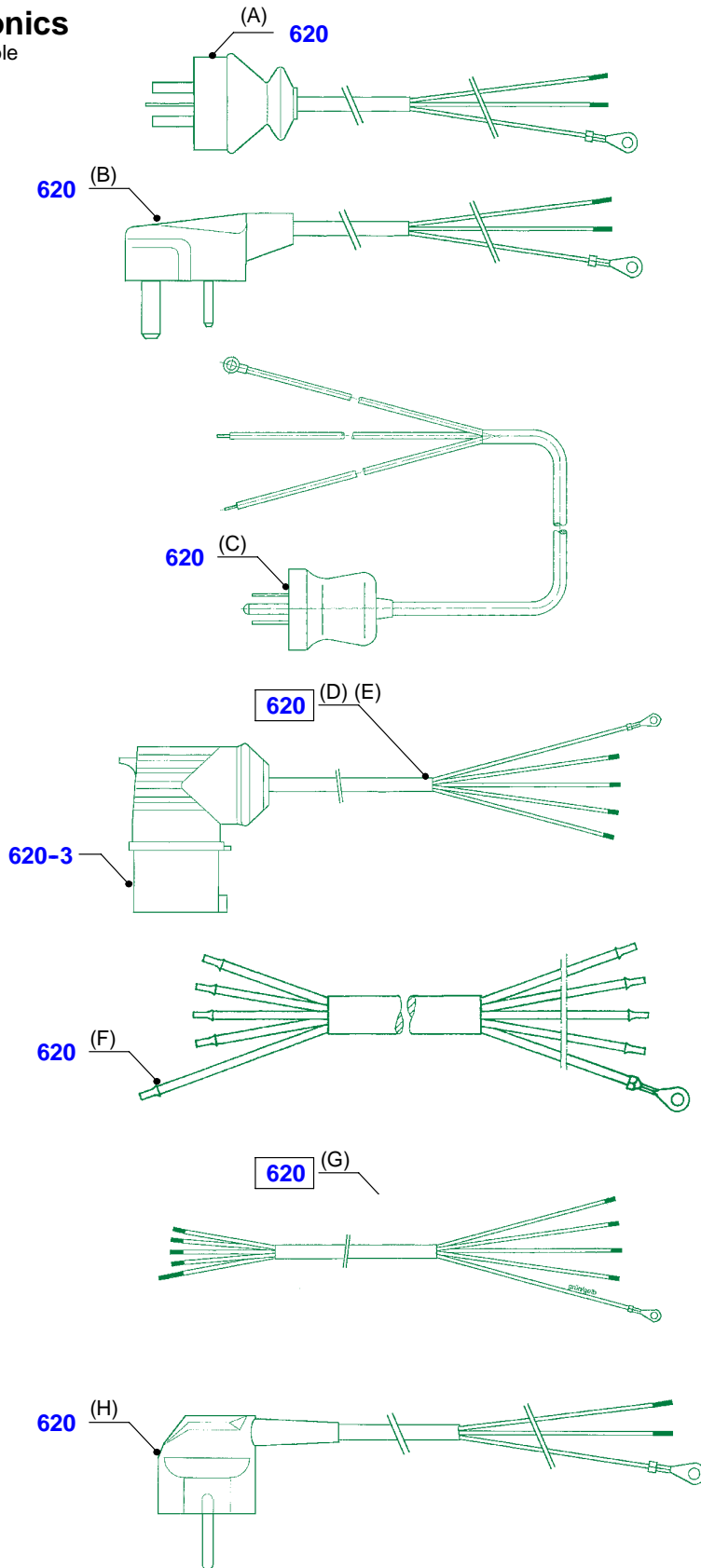
**4**



**Electronics**



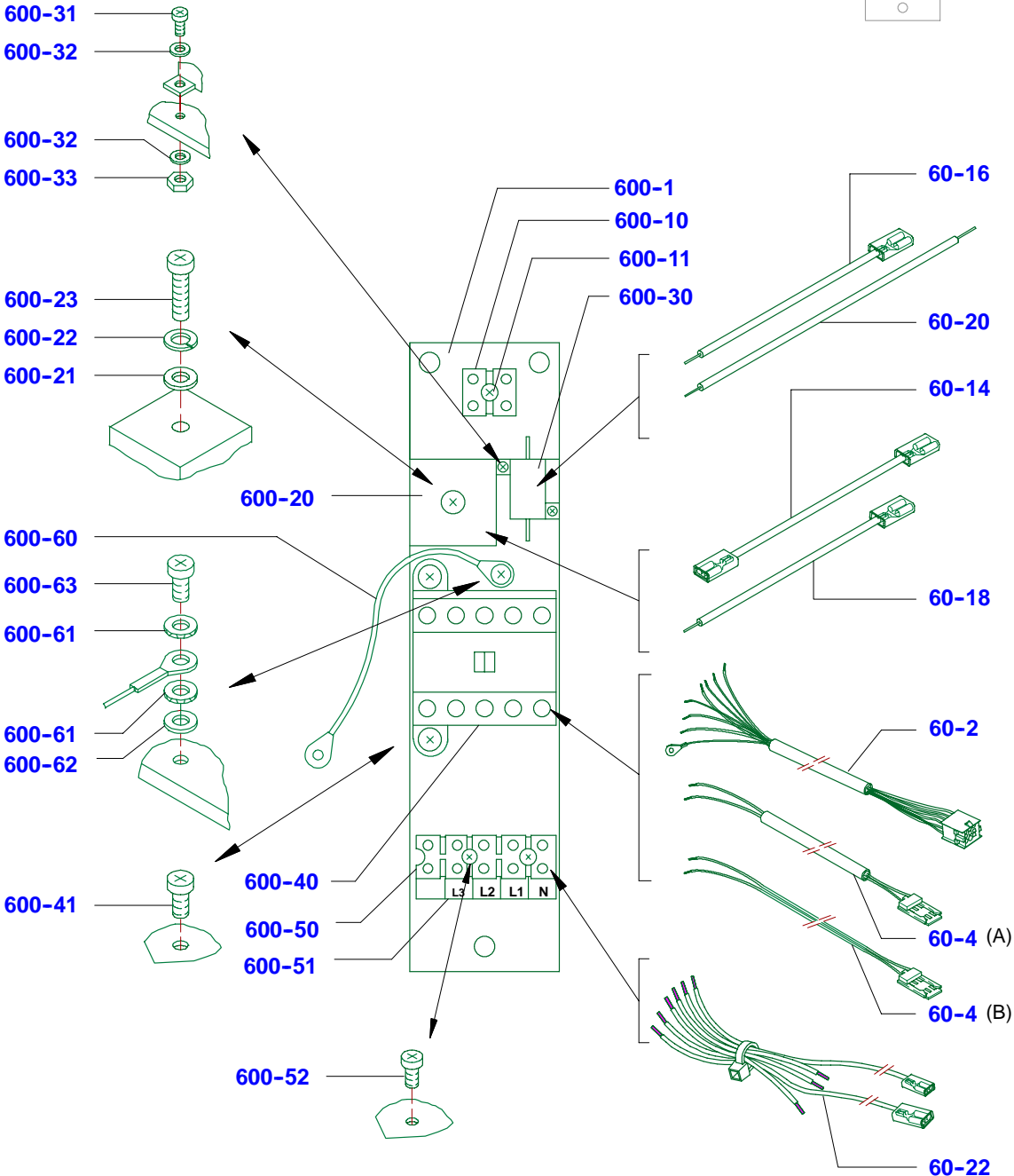
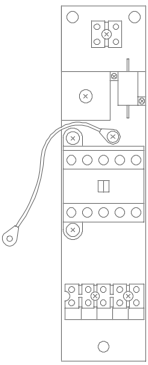
**Electronics**  
Power cable



**4**

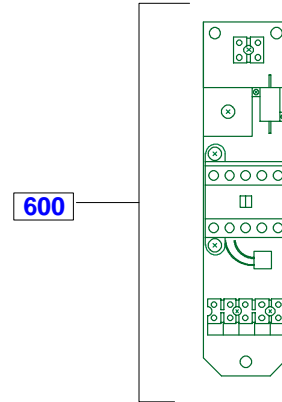
# Electronics

up to device-no. 1332926



## Electronics

from device-no. 1332927



- 600-31
- 600-32
- 600-32
- 600-33

- 600-23
- 600-22
- 600-21

- 600-41

- 600-1
- 600-20
- 600-40

- 600-42
- 600-50
- 600-51

- 600-52

- 600-10
- 600-11
- 600-30

- 60-16

- 60-20

- 60-14

- 60-18

- 60-2

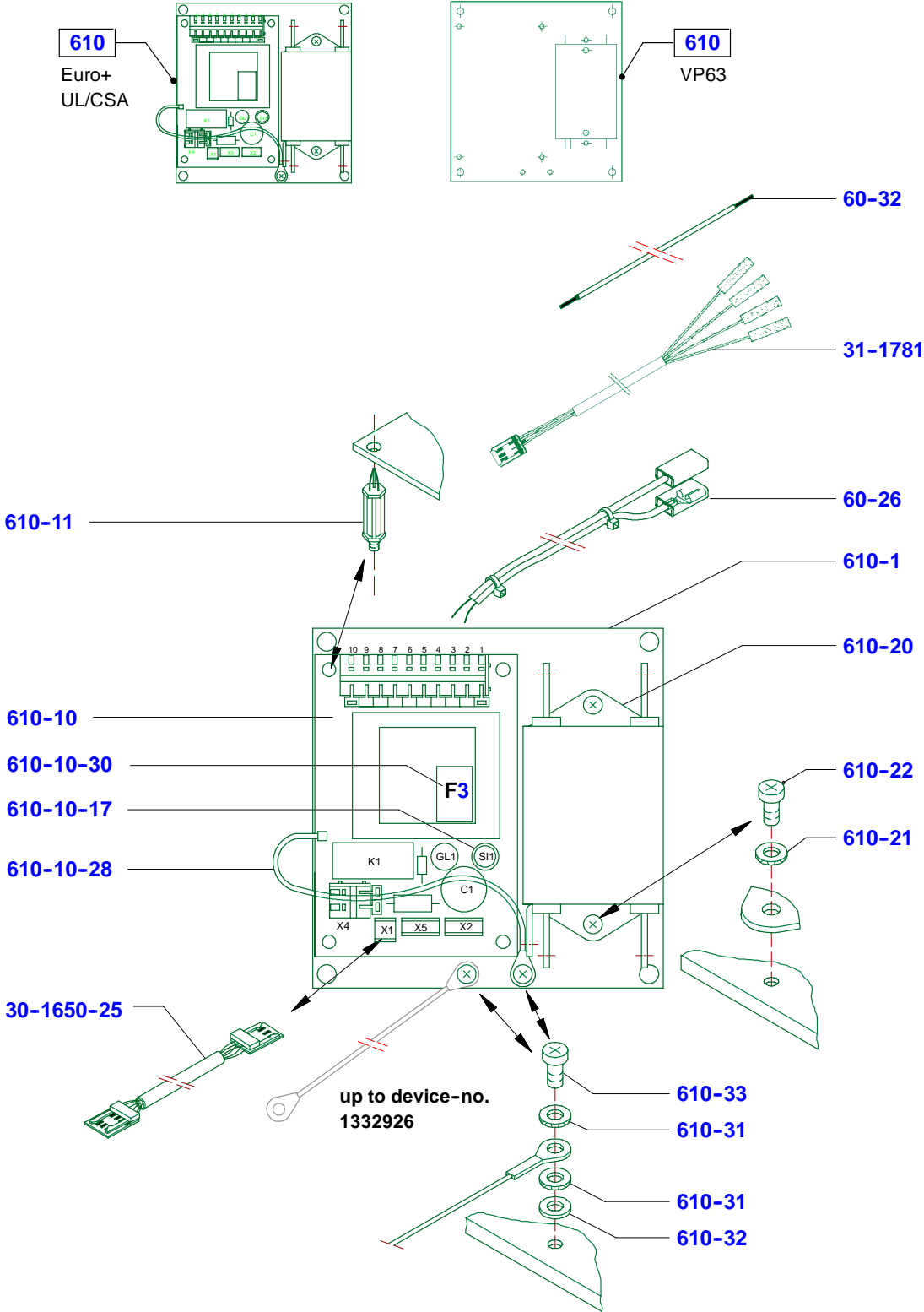
- 60-4 (A)

- 60-4 (B)

- 60-22

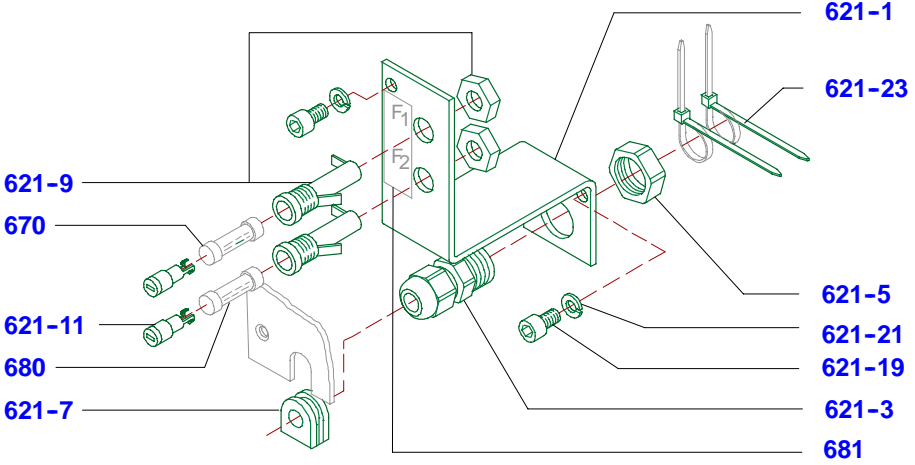
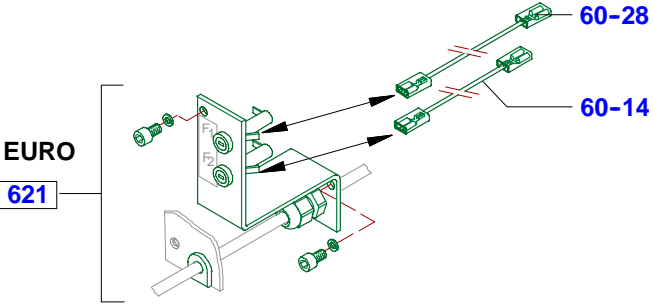
**4**

**Electronics**

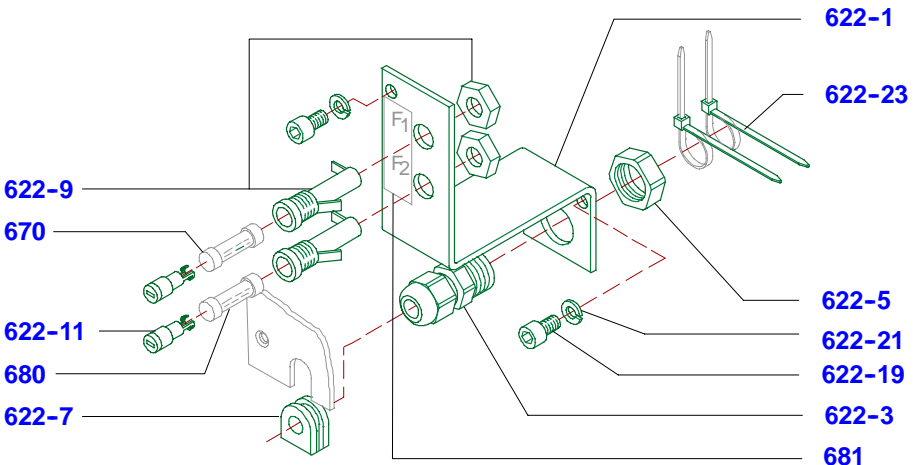
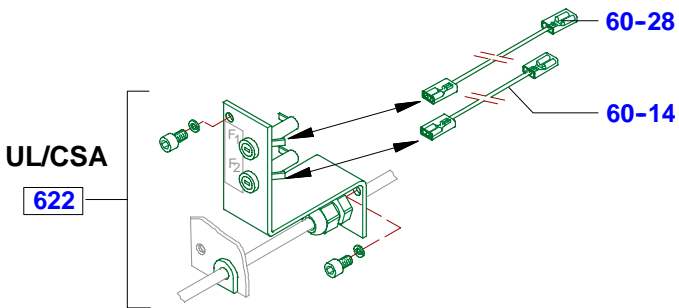


Page of drawing 128	<b>A 400 / A 400 FB</b>	Spare parts list No. <b>054.98.3.1013</b>	Series (code No.) <b>90.077</b>
------------------------	-------------------------	--	------------------------------------

**Electronics**



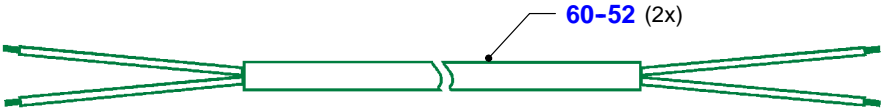
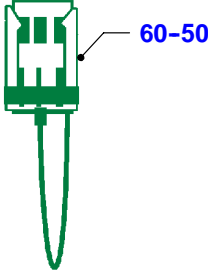
**4**



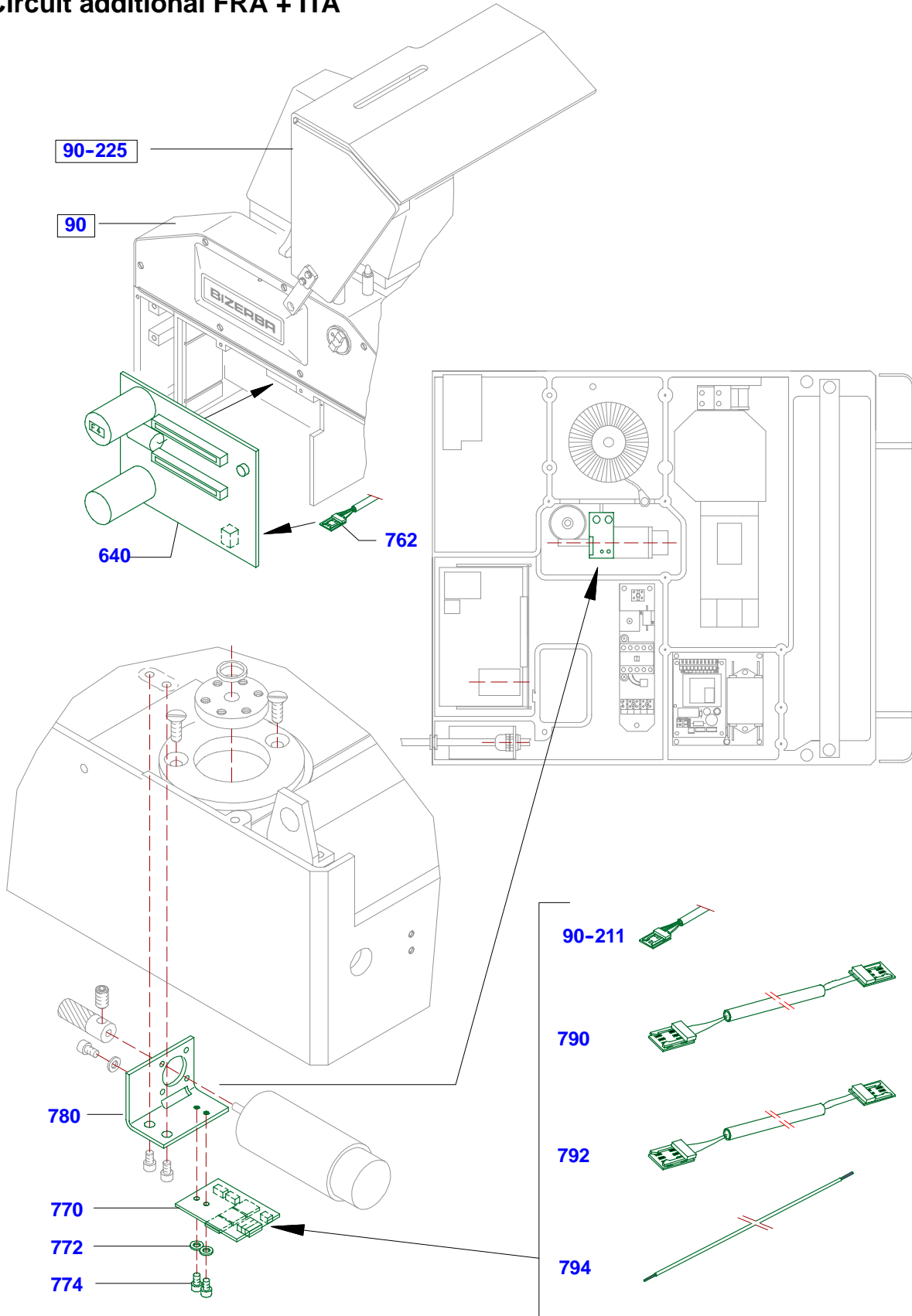
Series (code No.) <b>90.077</b>	Spare parts list No. <b>054.98.3.1013</b>	<b>A 400 / A 400 FB</b>	Page of drawing <b>129</b>
------------------------------------	--	-------------------------	-------------------------------

# Electronics

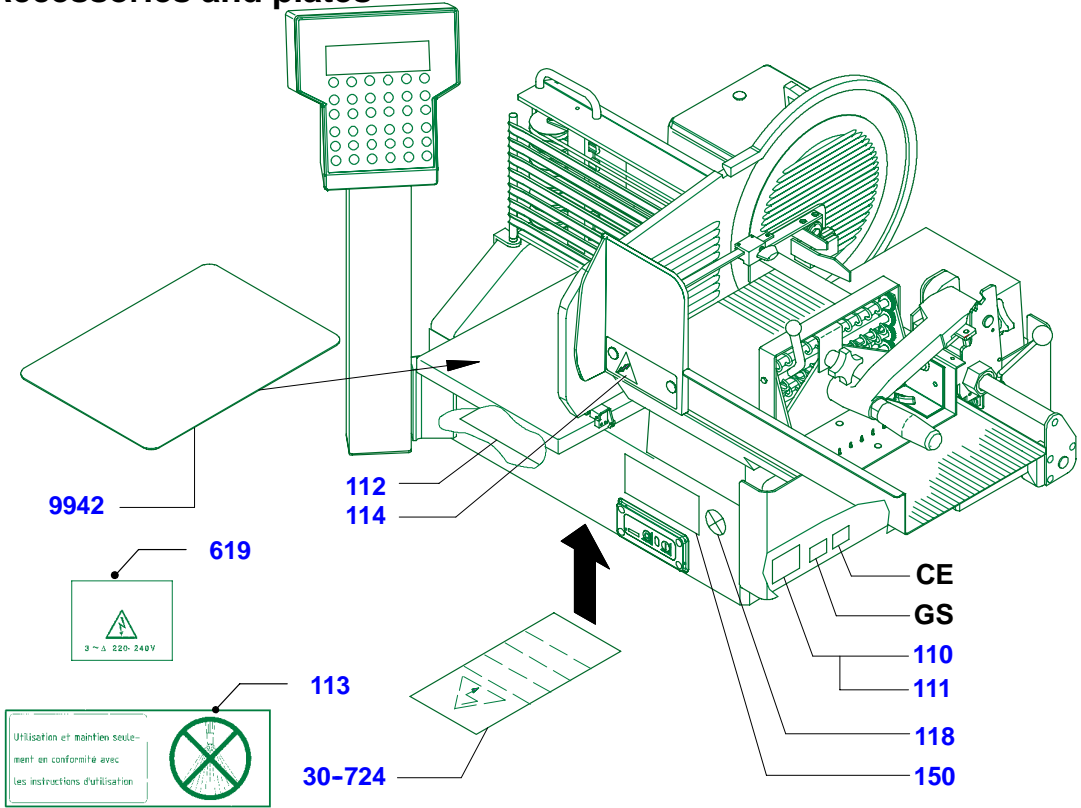
## Cables VP63



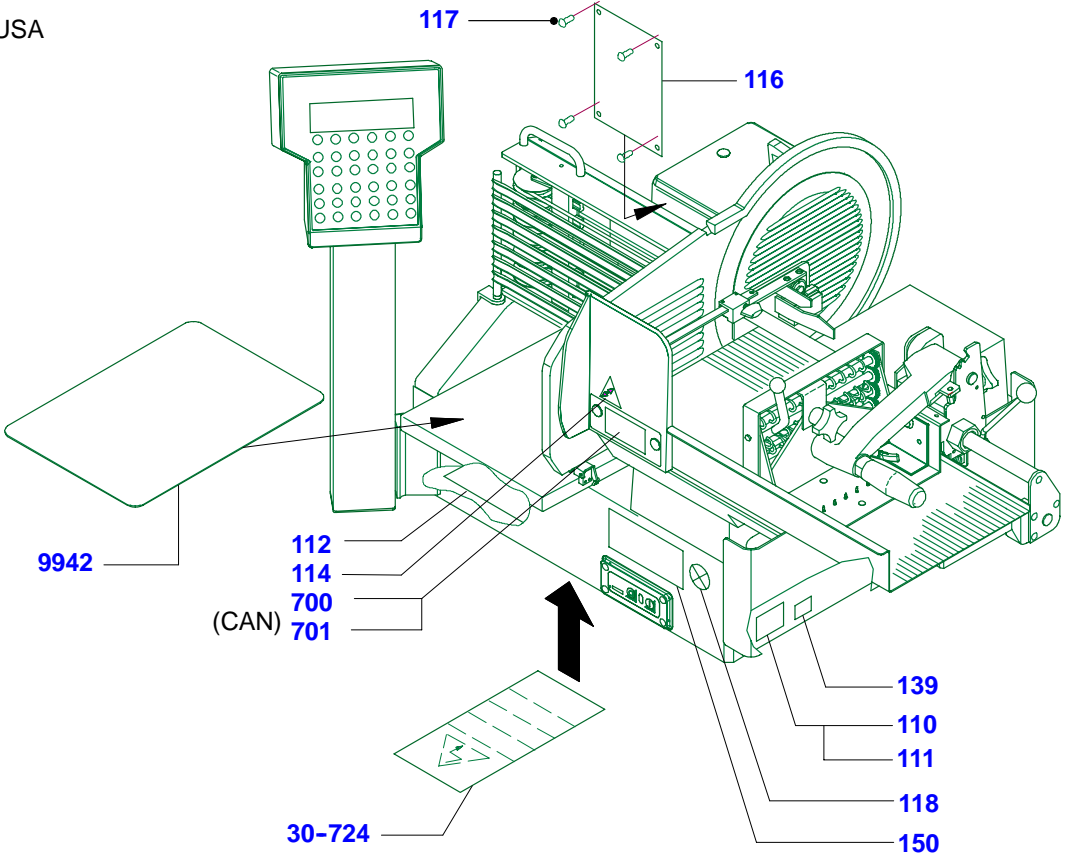
### Circuit additional FRA + ITA



**Accessories and plates**

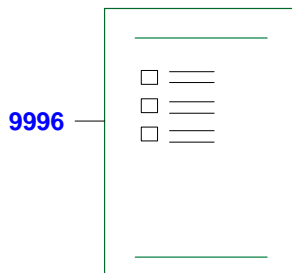
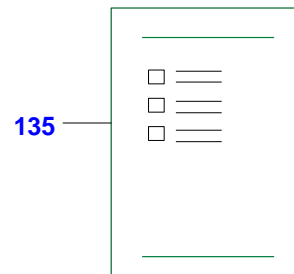
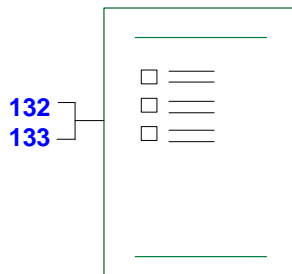
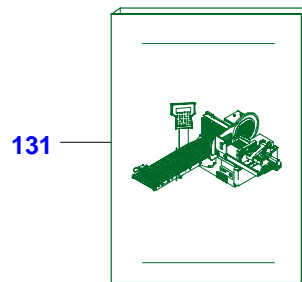
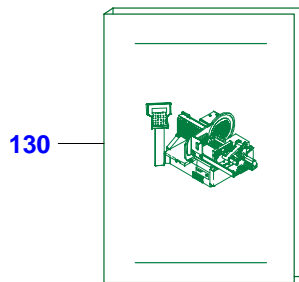
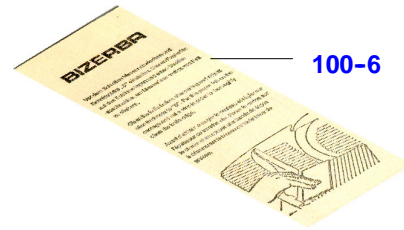
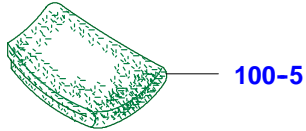
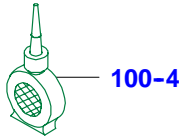
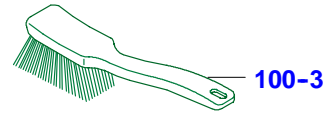
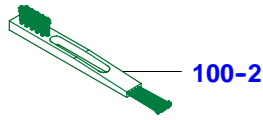
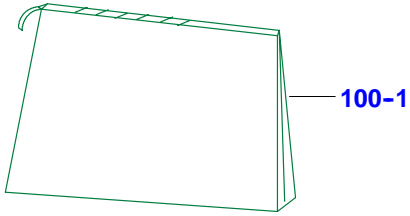


USA



**4**

### Accessories and plates



## Accessories and plates

9987



9988



4

Page of drawing <b>134</b>	<b>A 400 / A 400 FB</b>	Spare parts list No. <b>054.98.3.1013</b>	Series (code No.) <b>90.077</b>
-------------------------------	-------------------------	--	------------------------------------

**4**

Series (code No.) <b>90.077</b>	Spare parts list No. <b>054.98.3.1013</b>	<b>A 400 / A 400 FB</b>
------------------------------------	--	-------------------------

# Automatic slicer

## A 400 / A 400 FB

<b>Text content</b>	<b>Text page</b>
Motor, basic parts .....	1
Basic parts: -Motor housing preass. ....	2
Basic parts: -Blade cover, deflector .....	4
Basic parts: -Switch plate preass. ....	5
Motor cpl. ....	6
Carriage 400: -Feed spindle, gear motor .....	7
Carriage 400: -Product holder .....	8
Carriage 400: -Carriage plate preass. ....	10
Carriage 400: -Product holder+product guide .....	11
Carriage 600: -Product supporter, product holder+product guide .....	14
Special carriage for salmon, Multivac: Insert complete and product holder .....	15
Drive table .....	16
Drive table: -Carriage guide .....	17
Drive table: -Mounting plate, Intermediate bearing .....	18
Drive table: -Transducer installation .....	19
Drive table: -Lifting tube .....	20
Drive table: -Magnet holder .....	22
Drive table: -Cable support, table moving system vertical/horizontal .....	23
Drive conveyor belt: -Motor plate .....	26
Depositing table .....	28
Conveyor belt 1200 mm .....	29
Conveyor belt FRA, 550 mm .....	30

<b>A 400 / A 400 FB</b>	Spare parts list No. <b>054.98.3.1013</b>	Series (code No.) <b>90.077</b>
-------------------------	--	------------------------------------

Light barrier, conveyor belt AUT+Netherlands .....	31
Conveyor belt with 8 mm and 30 mm belts .....	32
Conveyor belt 775 mm .....	33
Conveyor belt Multivac 2x115 mm .....	34
Light button, Chain frame .....	36
Shaving deflector .....	38
Conveyor belt Multivac 3x70 mm .....	39
Conveyor belt Multivac 2x70 mm .....	40
Cables + strands .....	41
Display tableau .....	42
Depositing arm, depositing arm drive .....	45
Accessories, Sharpening device .....	48
Plates .....	49
Last text page .....	58

The spare parts marked with „Q” are important for the verification, i. e. at the assembly of these parts the verification seal is destroyed. These parts can be purchased only at authorized Bizerba representations.

On the image and text section spear and wear parts are highlighted with (V).

Series (code No.) <b>90.077</b>	Spare parts list No. <b>054.98.3.1013</b>	<b>A 400 / A 400 FB</b>	Text page <b>1</b>
------------------------------------	--	-------------------------	-----------------------

Number in drawing	Order number	Piece	Designation	from status onwards
9	60540106500	001	MOTOR PREASS. AC 230V/50HZ	! ! !
	60540106800	001	MOTOR PREASS. AC 120V/60HZ	
	60540107300	001	MOTOR PREASS. DC. 230/400V/50HZ	
	60540107500	001	MOTOR PREASS. DC. 220/380V/60HZ USA	
	60540107600	001	MOTOR PREASS. DC. 200V/50/60HZ JAPAN	
9-3	60546102100	001	STRAND GROUND WIRE MOTOR PLUG A400	
9-4	60546103500	001	CABLE CAPACITOR AC A400	
10		001	BASIC PARTS	
10-1	60540100102	001	HOUSING A400	
10-2	56399800000	001	SPHER. BEARING GE 20 E-SONDER	
10-3	56808310000	001	SELF-TAPP.SCREW DIN 7500-CM3X6-ST	
10-4	56083970000	001	SETSCREW DIN 916-M6X8-45H	
10-5	56083300000	002	SETSCREW DIN 913-M10X40-33H	
10-6	56170200000	001	PARALLEL PIN DIN 7-6M6X20-ST	
10-9	56170210000	001	PARALLEL PIN DIN 7-6M6X24-ST	
10-16	60540104501	001	PLATE	
10-17	57442160000	001	COUNTERSUNK SCREW DIN 7991-M6X16-A2-70	
10-62	60220101001	001	BEARING, COMPL.	
10-62-302	60220101100	001	BEARING PEDESTAL	
10-62-303	56399800000	001	SPHER. BEARING GE 20 E-SONDER	
10-62-304	57778700000	001	RETAINING RING DIN 472-I 35X1.5 V	
10-62-305	56083970000	001	SETSCREW DIN 916-M6X8-45H	
10-62-306	95972940000	000	SCREW SEALING ADHESIVE LOCTITE 243 10ML	
10-63	56755630000	002	WASHER DIN 433-10,5-ST	
10-64	56444820000	004	HEXAGON NUT DIN 439-BM10-A2-70	
10-70	40220100901	001	SEALING COVER	
10-71	60220101410	001	SEALING RING	
10-87	60540104001	001	SUPPORTING ARM COMPL.	
10-87-90	57737200000	001	SOCKET HEAD SCREW DIN 912-M8X20-8.8	
10-87-91	56470220000	001	HEXAGON NUT DIN 439-BM12X1-4	
10-87-92	60220110100	001	THREADED PIN	
10-87-94	57454180000	002	COUNTERSUNK SCREW DIN 965-M4X8-T20-A2-70	
10-87-95	95972840000	000	SCREW SEALING ADHESIVE LOCTITE 648 10M	
10-100	60540102600	001	HOLDER PREASSEMBLED	
10-107	40110000002	001	PRESSURE SPRING	
10-108	60220110701	001	PIN	
10-114	60540101300	001	PRODUCT SUPPORTER	
10-115	60223503000	001	THREADED BOLT	
10-116	60223503100	001	THREADED RING	
10-117	60112000029	001	WASHER 6.2	
10-118	60220002400	001	HEXAGON SCREW OVAL HEAD M 6X40	
10-119	57347160000	002	HEXAGON SCREW DIN 933-M6X16-8.8	
10-120	57767060000	002	SPR. LOCK WASHER DIN 128-A6-FST	
10-126	60220102000	001	SUPPORTING RAIL	
10-127	60540104301	002	SUPPORTING BOLT	
10-245	40110000099	001	WASHER	
10-246	57767060000	002	SPR. LOCK WASHER DIN 128-A6-FST	
10-247	57743440000	002	SOCKET HEAD SCREW DIN 912-M6X25-A2-70	

Text page <b>2</b>	<b>A 400 / A 400 FB</b>	Spare parts list No. <b>054.98.3.1013</b>	Series (code No.) <b>90.077</b>
-----------------------	-------------------------	--	------------------------------------

Number in drawing X	Order number X	Piece X	Designation X	from status onwards X
10-255		001	MOTOR HOUSING PREASSEMBLED	
10-255-256	60540100202	001	MOTOR HOUSING (FROM DEVICE-NO. 1332927)	
10-255-257	60540105500	001	BLADE BUSHING COMPL. (DEVICE-NO. 1276988 - 1332926)	
	60223505501	001	BLADE BUSHING COMPL. (FROM DEVICE-NO. 1332927)	
10-255-257-1	60223500402	001	BLADE BUSHING PREASSEMBLED (UP TO DEVICE-NO. 1276987)	
	60223500403	001	BLADE BUSHING PREASSEMBLED (DEVICE-NO. 1276988 - 1332926)	
10-255-257-1-1	60223500502	001	BLADE BUSHING (UP TO DEVICE-NO. 1276987)	
	60223500503	001	BLADE BUSHING (DEVICE-NO. 1276988 - 1332926)	
10-255-257-1-3	56360940000	002	GROOVED BALL BEARING DIN 625 6004-2RS	
10-255-257-1-5	57778720000	002	RETAINING RING JV 42X1.75	
10-255-257-1-7	60223500601	001	BLADE SHAFT STAINLESS STEEL (FROM DEVICE-NO. 1276988)	
10-255-257-1-9	60540104900	001	SUPPORTING WASHER	
10-255-257-1-11	50001680000	003	DISC SPRING 31,7X20,4X0,3	
10-255-257-1-13	50003130000	001	SHAFT SEAL BA SL20X42X10-NBR	
10-255-257-1-15	94008900058	000	KLUEBERSYNTH UH1 64-62/25KG	
10-255-257-3	60540100300	001	MOUNTING (4 HOLE; UP TO DEVICE-NO. 1276987)	
	60540100301	001	MOUNTING (3 HOLE; DEVICE-NO.1276988 - 1332926)	
	60223500302	001	MOUNTING (3 HOLE; FROM DEVICE-NO. 1332927)	
10-255-257-5	60223501300	001	LABYRINTH SEAL I	
10-255-257-7	57454180000	003	COUNTERSUNK SCREW DIN 965-M4X8-T20-A2-70	
10-255-257-9	56362540000	001	GROOVED BALL BEARING DIN 625 61812-2RS1 (D=78MM, DEVICE-NO.1276988 - 1332926)	
	56362660000	001	GROOVED BALL BEARING DIN 625 69120-RDZ (D=85MM; FROM DEVICE-NO. 1332927)	
10-255-257-11	50282670000	001	BALL BEARING SHIM WA. 84X74X0,6	
10-255-260	57767060000	004	SPR. LOCK WASHER DIN 128-A6-FST	
10-255-261	57736160000	004	SOCKET HEAD SCREW DIN 912-M6X16-8.8	

4

Bitte unbedingt 11-stellige **Bestell-Nr.** angeben • Please always indicate 11 digit **Order No.** • Absolument nécessaire d'indiquer **No. de commande**  
(11 chiffres) • Favorisca specificarci sempre il **N. di ordine** a 11 cifre • Es imprescindible que citen el **No. de pedido** (11 guarismos)

Amendment: 07/2012

Series (code No.) <b>90.077</b>	Spare parts list No. <b>054.98.3.1013</b>	<b>A 400 / A 400 FB</b>	Text page <b>3</b>
------------------------------------	--	-------------------------	-----------------------

Number in drawing	Order number	Piece	Designation	from status onwards
X	X	X	X	X
10-255-262	00610000084	004	WASHER 16X1.5	
10-255-263	60540100400	001	GUARD RING	
10-255-264	56806310000	001	OVAL-HEAD SCREW DIN 7985-M3X16-A2-70	
10-255-265	60240103300	001	SUPPORTING BOLT	
10-255-266	95972940000	000	SCREW SEALING ADHESIVE LOCTITE 243 10ML	
10-255-267	60223503700	001	SPACER SLEEVE	
10-255-268	57767060000	001	SPR. LOCK WASHER DIN 128-A6-FST	
10-255-269	57765600000	001	SPR. LOCK WASHER DIN 7980-6	
10-255-270	57736500000	001	SOCKET HEAD SCREW DIN 912-M6X50-8.8	
10-255-271	57736300000	001	SOCKET HEAD SCREW DIN 912-M6X30-8.8	
10-255-272	56777120000	001	SEALING WASHER DIN 470-12-AL	
10-255-273	60223501300	001	LABYRINTH SEAL I	
10-255-274	57454180000	003	COUNTERSUNK SCREW DIN 965-M4X8-T20-A2-70	
10-255-275	60240101000	001	BOLT	
10-255-276	56355130000	001	PARALLEL NOTCHED PIN 3X4 DIN 1473	
10-255-281	50003690000	001	O-SEAL OR 76 X2.5 (DEVICE-NO. 1276988 - 1332926)	
	50003710000	001	O-SEAL 83X3,0 (UP TO DEVICE-NO. 1276987 + FROM DEVICE-NO. 1332927)	
10-255-282	57767060000	003	SPR. LOCK WASHER DIN 128-A6-FST	
10-255-283	57736160000	003	SOCKET HEAD SCREW DIN 912-M6X16-8.8	
10-255-284	60223500703	001	BELT PULLEY	
10-255-285	60223505100	001	ADJUSTING SPRING	
10-255-286	57749240000	001	LOCKING PLATE DIN 5406-MB11-ST	
10-255-287	56433540000	001	SLOTTED NUT DIN 981-KM11 M55X2-8	
10-255-288 (V)	50009781000	001	V-RIBBED BELT PJ10-483	
10-255-289	60223500800	001	SPACER RING	
10-255-290	60120000028	001	SPACER RING THICKNESS 0.5	
10-255-291	60120000021	001	SPACER RING THICKNESS 0.2	
10-255-292	60223500901	001	SPACER RING	
10-255-293	60223501000	001	NUT	
10-255-294	60223504800	001	WASHER	
10-255-296	95972840000	000	SCREW SEALING ADHESIVE LOCTITE 648 10M	
10-255-298	60223503700	001	SPACER SLEEVE	
10-255-299	57767060000	001	SPR. LOCK WASHER DIN 128-A6-FST	
10-255-300	57765600000	001	SPR. LOCK WASHER DIN 7980-6	
10-255-301	57736500000	001	SOCKET HEAD SCREW DIN 912-M6X50-8.8	
10-255-302	57736300000	001	SOCKET HEAD SCREW DIN 912-M6X30-8.8	
10-255-303	56777120000	001	SEALING WASHER DIN 470-12-AL	
10-255-304	00610000084	003	WASHER 16X1.5	
10-255-305	56806310000	001	OVAL-HEAD SCREW DIN 7985-M3X16-A2-70	
10-255-306	60240103300	001	SUPPORTING BOLT	
10-255-307	95972940000	000	SCREW SEALING ADHESIVE LOCTITE 243 10ML	
10-255-308	60540101500	001	PRODUCT SUPPORTER COMPL.	
10-255-313	56972600000	001	MUSHROOM HEAD SCREW M5X10-A2-70	
10-255-314	60540107000	001	GUARD RING PREASSEMBLED	
10-255-314-315	60540100402	001	GUARD RING	
10-255-314-316	50373961000	001	DISK MAGNET 10X6 N42	
10-255-314-317	60223506301	001	COVER	
10-255-314-318	95972870002	000	LOCTITE 638	
10-255-314-319	56083980000	001	SETScrew DIN 916-M6X12-A2-70	

Text page <b>4</b>	<b>A 400 / A 400 FB</b>	Spare parts list No. <b>054.98.3.1013</b>	Series (code No.) <b>90.077</b>
-----------------------	-------------------------	--	------------------------------------

Number in drawing X	Order number X	Piece X	Designation X	from status onwards X
10-320	57810080000	002	SPRING PIN SG 10X16	
10-321	00110000100	004	WASHER 6.1	
10-322	56739060000	002	WASHER DIN 125-A 6,4-A2-70	
10-323	57767060000	004	SPR. LOCK WASHER DIN 128-A6-FST	
10-324	57743440000	002	SOCKET HEAD SCREW DIN 912-M6X25-A2-70	
10-325	57736350000	002	SOCKET HEAD SCREW DIN 912-M6X35-8.8	
10-326	60223503800	001	SPACER SLEEVE (UP TO DEVICE-NO. 1332936)	
	60223506700	001	THREADED SLEEVE (FROM DEVICE-NO. 1332927)	
10-327	57767060000	001	SPR. LOCK WASHER DIN 128-A6-FST	
10-328	57736400001	001	SOCKET HEAD SCREW DIN 912-M6X40-8.8 (UP TO DEVICE-NO. 1332936)	
	57347200000	001	HEXAGON SCREW DIN 933 M6X20-8.8 (FROM DEVICE-NO. 1332927)	
10-329	56739060000	001	WASHER DIN 125-A 6,4-A2-70	
10-330	60223501400	001	LABYRINTH RING	
10-331	57630610000	004	COUNTERS.SCR. DIN 963-M6X11-A2-70	
10-340	60223504000	001	BLADE COVER COMPL.	
10-340-341	60223504100	001	BLADE COVER	
10-340-342	60223504300	001	SQUARE BOLT	
10-340-343	60120000085	001	DISTANCE WASHER THICKNESS 0.5	
10-340-344	60120000086	001	DISTANCE WASHER THICKNESS 0.2	
10-340-345	95972840000	000	SCREW SEALING ADHESIVE LOCTITE 648 10M	
10-355	60223504401	001	THREE-SQUARE KNOB WITH BOLT	
10-360	60540106200	001	DEFLECTOR	
10-361	56325330000	001	GROOVED TAPER P. DIN 1471-3X8-PC	
10-362	56063960000	001	SETSCREW DIN 553 M4X6-NIRO	
10-363	56739060000	001	WASHER DIN 125-A 6,4-A2-70	
10-364	57767060000	001	SPR. LOCK WASHER DIN 128-A6-FST	
10-365	56400860000	001	LOCKNUT DIN 985-M6-A2-70	
10-368	60540102100	001	DEFLECTOR COMPL.	
10-368-369	60540108200	001	DEFLECTOR	
10-368-370	60540102300	001	BEARING BOLT	
10-368-371	60540102400	001	ADJUSTING BOLT	
10-368-372	95972990002	000	LOCTITE 290 50ML	
10-368-373	38004459000	000	LOCTITE 648	
10-376	60223506500	001	BRAKE PULLEY	
10-377	60223506600	001	WASHER	
10-378	57767040000	001	SPR. LOCK WASHER DIN 128-A4-FST	
10-379	57343100000	001	HEXAGON SCREW DIN 933-M4X10-8.8	
10-380	94008900059	000	GREASE PARALIQ GA 343	
10-381	60350402001	001	PROTECTIVE PLUG 16.2 KNURLED	
10-385	60540104601	001	SHACKLE WITH BOLT	
10-395	57736200000	002	SOCKET HEAD SCREW DIN 912-M6X20-8.8	
10-396	57767060000	002	SPR. LOCK WASHER DIN 128-A6-FST	

4

Bitte unbedingt 11-stellige **Bestell-Nr.** angeben • Please always indicate 11 digit **Order No.** • Absolutement nécessaire d'indiquer **No. de commande**  
(11 chiffres) • Favorisca specificarci sempre il **N. di ordine** a 11 cifre • Es imprescindible que citen el **No. de pedido** (11 guarismos)

Amendment: 07/2012

Series (code No.) <b>90.077</b>	Spare parts list No. <b>054.98.3.1013</b>	<b>A 400 / A 400 FB</b>	Text page <b>5</b>
------------------------------------	--	-------------------------	-----------------------

Number in drawing	Order number	Piece	Designation	from status onwards
X	X	X	X	X
10-420	60540101000	001	COVER PLATE	
10-421	60240503100	002	HEXAGON SCREW DIN 933 M4X10-A2-70	
10-422	95972940000	000	SCREW SEALING ADHESIVE LOCTITE 243 10ML	
10-424	56739060000	002	WASHER DIN 125-A 6,4-A2-70	
10-425	60220006200	002	PERFORATED DISK	
10-426	57743430000	002	SOCKET HEAD SCREW DIN 912-M6X20-A2-70	
10-427	60223506400	002	LOCKING CAP	
10-435	60546102100	001	STRAND GROUND WIRE MOTOR PLUG A400	
10-436	60366101600	001	GROUND CABLE DRIVE HOUSING AC	
10-437	56739040000	002	WASHER DIN 125-A 4.3-A2-70	
10-438	57758610000	004	TOOTHED WASHER DIN 6797-A 4,3-FST	
10-439	56818440000	002	SELF-TAPP.SCREW DIN 7500-CM4X12-T20-ST	
10-441	60540131300	001	PLATE	
10-442	56808440000	002	SELF-TAPP.SCREW DIN 7500-CM4X12-ST	
10-443	60540131400	001	CLAMP	
10-444	57767040000	002	SPR. LOCK WASHER DIN 128-A4-FST	
10-445	57743100000	002	SOCKET HEAD SCREW DIN 912-M4X22-A2-70	
10-446	60540135101	001	POT.A400 (NEW) CABLE THICKNESS	
10-450	60540134000	001	MOTORIC SLI.THICKN. ADJUSTM.	
10-491	57767060000	002	SPR. LOCK WASHER DIN 128-A6-FST	
10-492	56456600000	002	HEXAGON NUT DIN 934-M6-A2-70	
10-500	60540131100	001	COUPLING COMPL.	
10-504	57773710000	002	RETAINING RING DIN 471-6X0.7	
10-511	60540131502	001	CONNECTION PLATE	
10-515	57767060000	003	SPR. LOCK WASHER DIN 128-A6-FST	
10-516	57736200000	003	SOCKET HEAD SCREW DIN 912-M6X20-8.8	
10-520	60540131800	001	SWITCH PLATE PREASSEMBLED	
10-520-521	60540131901	001	SWITCH PLATE	
10-520-522	71027080000	003	SWITCH	
10-520-523	56739040000	004	WASHER DIN 125-A 4.3-A2-70	
10-520-524	56806500000	002	OVAL-HEAD SCREW DIN 7985-M4X35-A2-70	
10-520-525	56805470000	002	OVAL-HEAD SCREW DIN 7985-M4X20-5.8	
10-520-526	57767040000	002	SPR. LOCK WASHER DIN 128-A4-FST	
10-520-527	56456400000	002	HEXAGON NUT DIN 934-M4-A2-70	
10-520-528	60533302001	001	NUT PLATE	
10-529	56765040000	002	WASHER DIN 9021-4,3-A2-70	
10-530	56805420000	002	OVAL-HEAD SCREW DIN 7985-M4X8-4.8	
10-535	60540134301	001	SWITCH PLATE PREASSEMBLED	
10-535-536	60540134402	001	SWITCH PLATE	
10-535-537	71027080000	001	SWITCH	
10-535-538	56739040000	002	WASHER DIN 125-A 4.3-A2-70	
10-535-539	56805470000	002	OVAL-HEAD SCREW DIN 7985-M4X20-5.8	
10-535-541	60533302001	001	NUT PLATE	
10-535-542	60540134601	001	SWITCH SPRING	
10-535-543	60730005101	001	SPACER BUSHING	
10-535-544	56765040000	002	WASHER DIN 9021-4,3-A2-70	
10-535-545	56805480000	001	OVAL-HEAD SCREW DIN 7985-M4X18-5.8	
10-535-546	57767040000	002	SPR. LOCK WASHER DIN 128-A4-FST	
10-535-547	56456400000	002	HEXAGON NUT DIN 934-M4-A2-70	
10-535-548	00111300327	001	SPACER RING 4.2X 8X5	
10-535-549	60540134700	001	SPRING	
10-535-550	56805460000	001	OVAL-HEAD SCREW DIN 7985-M4X16-8.8	

Bitte unbedingt 11-stellige **Bestell-Nr.** angeben • Please always indicate 11 digit **Order No.** • Absolutement nécessaire d'indiquer **No. de commande** (11 chiffres) • Favorisca specificarci sempre il **N. di ordine** a 11 cifre • Es imprescindible que citen el **No. de pedido** (11 guarismos)

Text page <b>6</b>	<b>A 400 / A 400 FB</b>	Spare parts list No. <b>054.98.3.1013</b>	Series (code No.) <b>90.077</b>
-----------------------	-------------------------	--	------------------------------------

Number in drawing	Order number	Piece	Designation	from status onwards
X	X	X	X	X
10-551	56765040000	002	WASHER DIN 9021-4,3-A2-70	
10-552	56805420000	002	OVAL-HEAD SCREW DIN 7985-M4X8-4.8	
10-553	60546101700	001	STRAND LIMIT SWITCH CARRIAGE A400	
10-554	60546101401	001	CABLE LIMIT SWITCH (4X) A400	
10-555	60540134100	001	GUARD PLATE	
10-556	71169040000	002	NYLON-CLIPS HP-4N	
10-557	56739040000	002	WASHER DIN 125-A 4.3-A2-70	
10-558	56818440000	002	SELF-TAPP.SCREW DIN 7500-CM4X12-T20-ST	
10-559	71004310000	004	CABEL TIE T18R	
10-601	57736860000	002	SOCKET HEAD SCREW DIN 912-M6X160-8.8	
10-602	57736800000	002	SOCKET HEAD SCREW DIN 912-M6X80-8.8	
10-603	57743510000	001	SOCKET HEAD SCREW DIN 912-M6X60-8.8	
10-610	60800116900	001	BIZERBA CHARACTER FONT	
10-650	60540135000	001	POTENTIOMETER SUPPORT	
10-652	60546101302	001	CABLE INTERFACE + POTENT.	
10-654	57671160000	002	CHEESE-HEAD SCREW DIN 84-M2X16-4.8	
10-655	56455200000	002	HEXAGON NUT DIN 934-M2-8	
10-656	56765040000	002	WASHER DIN 9021-4,3-A2-70	
10-658	57743040000	002	SOCKET HEAD SCREW DIN 912-M4X12-A2-70	
11		001	MOTOR COMPL. AC	
	60540107300	001	MOTOR COMPL. 3-PHASE-CURRENT	
11-7	60220104401	001	MOTOR PEDESTAL	
11-8	57743440000	003	SOCKET HEAD SCREW DIN 912-M6X25-A2-70	
11-9	56739060000	003	WASHER DIN 125-A 6,4-A2-70	
11-10	56400860000	003	LOCKNUT DIN 985-M6-A2-70	
11-11	57383370000	001	HEXAGON SCREW DIN 933-SZ-M8X75-8.8	
11-12	50281160000	010	DISC SPRING 18X8,2X0,5	
11-13	56444800000	002	HEXAGON NUT DIN 439-BM8-A2-70	
11-14	56456800000	002	HEXAGON NUT DIN 934-M8-X5CRNI18-10	
11-15	60220104602	001	EXHAUST AIR HOOD, AT THE TOP	
11-16	40220104701	001	EXHAUST AIR HOOD, AT BOTTOM	
11-17	56739040000	003	WASHER DIN 125-A 4.3-A2-70	
11-18	56805410000	003	OVAL-HEAD SCREW DIN 7985-M4X6-5.8	
11-20	56818430000	001	SELF-TAPP.SCREW DIN 7500-CM4X8-T20-ST	
11-21	57758610000	002	TOOTHED WASHER DIN 6797-A 4,3-FST	
11-22	56739040000	001	WASHER DIN 125-A 4.3-A2-70	
13	60540700800	001	HOLDING ANGLE PLATE	
15	57758610000	002	TOOTHED WASHER DIN 6797-A 4,3-FST	
16	56456400000	002	HEXAGON NUT DIN 934-M4-A2-70	
17	71092130000	001	CAPACITOR 6UF/400V (FOR 230V)	
	76090090000	001	CAPACITOR MP 20UF 280V DEU+MEX (FOR 110V)	
19	60540106301	001	GAUGE PLATE (ALU)	

**4**

Bitte unbedingt 11-stellige **Bestell-Nr.** angeben • Please always indicate 11 digit **Order No.** • Absolutement nécessaire d'indiquer **No. de commande**  
(11 chiffres) • Favorisca specificarci sempre il **N. di ordine** a 11 cifre • Es imprescindible que citen el **No. de pedido** (11 guarismos)

Amendment: 07/2012

Series (code No.) <b>90.077</b>	Spare parts list No. <b>054.98.3.1013</b>	<b>A 400 / A 400 FB</b>	Text page <b>7</b>
------------------------------------	--	-------------------------	-----------------------

Number in drawing X	Order number X	Piece X	Designation X	from status onwards X
20	60540239702	001	CARRIAGE 400 JPN	
	60540240005	001	CARRIAGE 400	
20-2	60540242000	001	CARRIAGE SUPP. PREASSEMBLED SHORT	
20-4	60540242100	001	BEARING ASS.	
20-6	57431250000	003	HEXAGON SCREW DIN 933-M6X25-A2-70	
20-8	56739060000	003	WASHER DIN 125-A 6,4-A2-70	
20-10	50003410000	002	DEFLECTOR RING A20/30 7/4	
20-12	56368320000	001	ANGULAR BALL BEARING DIN 628 3202 ATN9	
20-14	56366420000	001	SELF-ALIG. BALL BEARING DIN 630-2202.2RS	
20-50	60540220901	001	FEED SPINDLE ASSEMBLED (CARRIAGE 200, FROM DEVICE-NO. 1332927)	
	60540240301	001	FEED SPINDLE ASS. (CARRIAGE 400, FROM DEVICE-NO. 1332927)	
	60540260301	001	FEED SPINDLE ASS. (CARRIAGE 600, FROM DEVICE-NO. 1332927)	
20-50-4	60540260500	002	RING	
20-50-30	60540272400	001	NUT	
20-50-32	60540272200	001	CLAMPING PIECE	
20-50-34	60540272500	002	THREADED PIN	
20-50-36	50275090000	002	PRESSURE SPRING VD-097	
20-50-38	56400850000	002	LOCKNUT DIN 985-M5-A2-70	
20-50-40	95972840000	000	SCREW SEALING ADHESIVE LOCTITE 648 10M	
20-80	57778700000	002	RETAINING RING DIN 472-I 35X1.5 V	
20-82	60540272001	001	WASHER	
20-84	50281100000	002	DISC SPRING 34.6X22.4X0.5	
20-86	56709550000	001	PARALLEL KEY DIN 6885-3-A5X3X16	
20-88	60540260700	001	GEAR WHEEL	
20-90	60540260801	001	WASHER	
20-92	60540240701	001	GUIDE RAIL	
20-94	57630420000	004	COUNTERSUNK SCREW DIN 963-M4X8-A2-70	
20-96	56360600000	002	GROOVED BALL BEARING DIN 625 6000-2Z	
20-98	60540261000	001	BOLT	
20-100	60540261100	001	GEAR WHEEL	
20-102	57773750000	001	RETAINING RING DIN 471-10X1	
20-104	60540261200	001	GEAR WHEEL	
20-106	56083100000	001	SETSCREW DIN 913-M4X4-45H	
20-108	52022250000	001	GEAR MOTOR DC GR 42X40 RE30 (40V/I4,5:1; UP TO DEVICE-NO. 1332926)	
	52022320000	001	GEAR MOTOR DC GR 42X40 RE30 (40V/I6,25:1; UP TO DEVICE-NO. 1332926)	
	52022270000	001	GEAR MOTOR DC GR 42X40RE30 (24V/I4,5:1 FROM DEV.-NO. 1332927, OLD)	
	52022290000	001	GEAR MOTOR DC GR 42X40 RE30 (24V/I6,25:1; FROM DEV.-NO. 1332927, NEW FROM SOFTW.VERSION D2 60546902111)	
	52022330000	001	GEAR MOTOR DC GR42X40 RE30/I=20,23:1 (24V WITH INT. INTERF. ELIM./I20,25:1 SPECIAL CARRIAGE FOR SALMON DNK)	

Text page <b>8</b>	<b>A 400 / A 400 FB</b>	Spare parts list No. <b>054.98.3.1013</b>	Series (code No.) <b>90.077</b>
-----------------------	-------------------------	--	------------------------------------

Number in drawing X	Order number X	Piece X	Designation X	from status onwards X
20-110	60540261301	001	ANGLE PLATE FOR MOTOR	
20-112	57347120000	002	HEXAGON SCREW DIN 933-M6X12-8.8	
20-114	57767060000	002	SPR. LOCK WASHER DIN 128-A6-FST	
20-116	56805731000	004	OVAL-HEAD SCREW DIN 7985-M3X8-T10-8.8	
20-118	57767030000	004	SPR. LOCK WASHER DIN 128-A3-FST	
20-120	56805410000	004	OVAL-HEAD SCREW DIN 7985-M4X6-5.8	
20-122	60540261401	002	ANGLE	
20-124	60540261500	001	FLANGE	
20-126	57630620000	002	COUNTERSUNK SCREW DIN 963-M6X12-A2-70	
20-128	57629520000	007	COUNTERSUNK SCREW DIN 963-M5X10-A2-70	
20-130	57630530000	001	COUNTERSUNK SCREW DIN 963-M5X12-A2-70	
20-160	60540251101	001	PRODUCT SUPPORTER CPL. (200+400, FROM DEVICE-NO. 1332927)	
	60540251201	001	PRODUCT SUPPORTER 600 MM (CARRIAGE 600 JAPAN)	
20-160-2	60540252001	001	FLANGE (CARRIAGE 200+400, (DEVICE-NO. 1276988 - 1332926)	
	60540253100	001	MOUNTING WITH SHAFT (200+400, FROM DEVICE-NO. 1332927)	
	60540261600	001	FLANGE (CARRIAGE 600, UP TO DEVICE-NO.1276987)	
	60540253200	001	FLANGE WITH STUD 600MM (CARRIAGE 600 JAPAN)	
20-160-4	60530203700	001	LEVER COMPL. (400+600, UP TO DEVICE-NO.1276987)	
	60540251900	001	LEVER COMPL. (200+400+600, FROM DEVICE-NO. 1276988)	
20-160-6	40530203400	002	BUFFER	
20-160-8	56187770000	001	PARALLEL PIN DIN 7-4M6X30-A2	
20-160-10	56739040000	002	WASHER DIN 125-A 4.3-A2-70	
20-160-12	40510400159	001	PRESSURE SPRING	
20-160-14	60530200500	001	SUPPORTING ANGLE	
20-160-16	57630440000	002	COUNTERSUNK SCREW DIN 963-M4X12-A2-70	
20-160-20	60530200600	001	HUB (400+600, UP TO DEVICE-NO.1276987)	
	60540252200	001	HUB PREASS. (200+400+600, FROM DEVICE-NO. 1276988)	
20-160-22	40530203501	001	SPRING (400+600, UP TO DEVICE-NO.1276987)	
	60540251700	001	SPRING (200+400+600, FROM DEVICE-NO. 1276988)	
20-160-24	94008900059	000	GREASE PARALIQ GA 343	
20-160-25	60540251600	001	BEARING BOLT	
20-160-26	60540253400	001	TIGHTENING DISK	

4

Bitte unbedingt 11-stellige **Bestell-Nr.** angeben • Please always indicate 11 digit **Order No.** • Absolutement nécessaire d'indiquer **No. de commande**  
(11 chiffres) • Favorisca specificarci sempre il **N. di ordine** a 11 cifre • Es imprescindible que citen el **No. de pedido** (11 guarismos)

Amendment: 07/2012

Series (code No.) <b>90.077</b>	Spare parts list No. <b>054.98.3.1013</b>	<b>A 400 / A 400 FB</b>	Text page <b>9</b>
------------------------------------	--	-------------------------	-----------------------

Number in drawing X	Order number X	Piece X	Designation X	from status onwards X
20-160-27	57630630000	001	COUNTERSUNK SCREW DIN 963-M6X16-A2-70	
20-160-28	60220005700	001	HEXAGON SCREW OVAL-HEAD M 6X16	
20-160-30	60530200500	001	SUPPORTING ANGLE	
20-160-31	95972840000	000	SCREW SEALING ADHESIVE LOCTITE 648 10M	
20-160-32	56187770000	001	PARALLEL PIN DIN 7-4M6X30-A2	
20-160-34	40510400159	001	PRESSURE SPRING	
20-160-38	57630440000	001	COUNTERSUNK SCREW DIN 963-M4X12-A2-70	
20-160-40	60540252301	001	ARM; WELDED	
20-160-42	56923100000	002	COUNTER SUNK SCREW DIN 964-M4X10-A2-70	
20-160-43	38006344000	001	FLANGE BUSH PAF12170-P14	
20-160-44	60540252801	001	TAKE-UP DEVICE.PRE-MOUN.	
20-160-45	56187710000	001	PARALLEL PIN DIN 7-4M6X8-A2	
20-160-46	<b>56386060000</b>	001	STEEL BALL DIN 5401-6MM-1.4034	
20-160-47	60530203600	001	BEARING BOLT	
20-160-48	46121300020	001	PRESSURE SPRING 6121300020	
20-160-49	57630630000	001	COUNTERSUNK SCREW DIN 963-M6X16-A2-70	
20-160-50	56923120000	002	COUNTER SUNK SCREW DIN 964-M4X12-A2-70	
20-160-52	95972940000	000	SCREW SEALING ADHESIVE LOCTITE 243 10ML	
20-160-54	38021201000	001	WING SCREW GN 433-34-M6-10-MT	
20-160-60	60540252500	001	EXTRACTOR WELDED	
20-160-62	56453170000	001	THREADED INSERT HELI-COIL M6X6	
20-160-64	56187670000	001	PARALLEL PIN DIN 7-3M6X16-A2	
20-160-80	60540271201	001	EXTRACTOR WELDED	
20-180	60540261700	001	PLATE	
20-182	56808550000	001	SELF-TAPP.SCREW DIN 7500-CM5X12-ST	
20-200	60540240800	001	TRACTION RELIEF	
20-201	96055050000	000	LUBRICATING OIL F.L.5 OIL UH1	
20-220	50002170000	001	O-SEAL 12X1,5	
20-222	60540270300	001	TENSION SPRING Z-147T 2.2X11X101	
20-250	60540249300	001	BOLT ASS.	
20-270	57753600000	001	RETAINING WASHER DIN 6799-6-1.4122	
20-272	60540262600	001	ROPE PULLEY	
20-274	60540262700	001	PIN	
20-276	60540262800	001	STOP SCREW	
20-278	60540263100	001	HEXAGON SCREW	
20-280	60540263201	001	STOP ANGLE	
20-282	56805750000	002	OVAL-HEAD SCREW DIN 7985-M4X12-T20-5.8	
20-284	60540263300	001	STOP BOLT	
20-320	60540263400	001	LOCKING HANDLE ASS.	
20-340	57753900000	001	RETAINING WASHER DIN 6799-9-1.4122	
20-342	60540263800	001	SPACER SLEEVE	
20-344	56739100000	001	WASHER DIN 125-A 10,5-A2-70	

Bitte unbedingt 11-stellige **Bestell-Nr.** angeben • Please always indicate 11 digit **Order No.** • Absolument nécessaire d'indiquer **No. de commande** (11 chiffres) • Favorisca specificarci sempre il **N. di ordine** a 11 cifre • Es imprescindible que citen el **No. de pedido** (11 guarismos)

Text page <b>10</b>	<b>A 400 / A 400 FB</b>	Spare parts list No. <b>054.98.3.1013</b>	Series (code No.) <b>90.077</b>
------------------------	-------------------------	--	------------------------------------

Number in drawing X	Order number X	Piece X	Designation X	from status onwards X
20-400	60540221300	001	CARRIAGE PLATE PREASSEMBLED (CARRIAGE 200)	
	60540241200	001	CARRIAGE PLATE PREASS. (CARRIAGE 400)	
	60540262300	001	CARRIAGE PLATE PREMOUNTED. TEFLON (CARRIAGE 600 TEFLON NDL)	
	60540264100	001	CARRIAGE PLATE PREASSEMBLED (CARRIAGE 600)	
20-400-2	60540221400	001	CARRIAGE PLATE WELDED (CARRIAGE 200)	
	60540241300	001	CARRIAGE PLATE WELDED (CARRIAGE 400)	
	60540262400	001	CARRIAGE PLATE WELD. TEFLON (CARRIAGE 600 TEFLON NDL)	
	60540263900	001	CARRIAGE PLATE WELDED (CARRIAGE 600)	
20-400-20	40220404500	001	ADHESIVE FOIL	
20-400-22	60223300202	001	REAR WALL	
20-400-40	60223300400	001	SHIELD PREASSEMBLED	
20-400-41	60223300600	001	BONDING SHEET	
20-400-50	57767040000	002	SPR. LOCK WASHER DIN 128-A4-FST	
20-400-52	56456400000	002	HEXAGON NUT DIN 934-M4-A2-70	
20-400-54	40220000201	002	PROTECTIVE PLUG 12.2 KNURLED	
20-400-56	60540201200	001	SEALING PLATE	
20-400-60	60544802000	001	WARNING PLATE FOR CARRIAGE	
20-500	60540272100	002	NUT	
20-502	57767060000	002	SPR. LOCK WASHER DIN 128-A6-FST	
20-504	56739060000	008	WASHER DIN 125-A 6,4-A2-70	
20-506	56400860000	006	LOCKNUT DIN 985-M6-A2-70	
20-508	56047810000	001	SETSCREW DIN 551-M8X16-PA66	
20-510	56444800000	001	HEXAGON NUT DIN 439-BM8-A2-70	
20-512	60540271800	001	STOP PIN	
20-514	56444820000	001	HEXAGON NUT DIN 439-BM10-A2-70	
20-516	56453180000	005	THREADED INSERT HELI-COIL D M6X9X1.5	
20-518	56453130000	007	THREADED INSERT HELI-COIL D M5X7.5	
20-520	40140200901	006	PROTECTIVE PLUG	
20-522	60540264400	001	SHAFT	
20-524	60540273000	001	BUFFER	
20-526	94008900059	000	GREASE PARALIQ GA 343	
20-528	71011470000	001	CABLE GLAND PG 9 DIN 46320	
20-530	71067290000	004	SPACER 6.35 LPR 8520	
20-532	40220000201	001	PROTECTIVE PLUG 12.2 KNURLED	
20-600	60546102800	001	CABLE TRANSDUCER RE30 A400	

4

Bitte unbedingt 11-stellige **Bestell-Nr.** angeben • Please always indicate 11 digit **Order No.** • Absolutement nécessaire d'indiquer **No. de commande**  
(11 chiffres) • Favorisca specificarci sempre il **N. di ordine** a 11 cifre • Es imprescindible que citen el **No. de pedido** (11 guarismos)

Amendment: 07/2012

Series (code No.) <b>90.077</b>	Spare parts list No. <b>054.98.3.1013</b>	<b>A 400 / A 400 FB</b>	Text page <b>11</b>
------------------------------------	--	-------------------------	------------------------

Number in drawing X	Order number X	Piece X	Designation X	from status onwards X
20-620	60545900116	001	LPB PRODUCT INFEEED A400 (UP TO DEVICE-NO. 10511169)	
	60545940103	001	LPB SGZ GENERATION2 A400 (FROM DEVICE-NO. 10516522)	
	60545950103	001	LPB SGZ SALMON GENERATION2 A400 (SPECIAL CARRIAGE FOR SALMON; DNK FROM DEVICE-NO. 10516522)	
20-640	60546100400	001	CABLE INTERMED.BOARD 2 PROD.FEED.DEV.A40	
20-642	71037500000	002	FERRIT SLEEVE 74271131	
20-644	71004320000	002	CABLE TIE T 40 R	
20-660	60546100801	001	SENSOR COMPL. INITIAL CARRIAGE POS. A400	
20-680	60546100900	001	SENSOR COMPL. PRODUCT END A400	
20-802	60540274100	001	SEALING	
20-804	60540274200	001	SEALING	
20-806	60540273800	001	SEALING	
20-808	60540273900	008	SEALING	
20-810	50493180000	003	ADHESIVE TAPE 4516 BLACK 6X1.5	
20-812	95972940000	000	SCREW SEALING ADHESIVE LOCTITE 243 10ML	
20-816	94008900059	000	GREASE PARALIQ GA 343	
20-850	60540222102	001	PRODUCT HOLDER GUIDE COMPL. (CARRIAGE 200)	
	60540245302	001	PRODUCT HOLDER GUIDE COMPL. (CARRIAGE 400)	
	60540265800	001	PRODUCT HOLDER GUIDE COMPL. (CARRIAGE 400 JAPAN)	
20-850-2	60540245500	001	PRODUCT HOLDER GUIDE (CARRIAGE 200+400)	
	60540265501	001	PRODUCT HOLDER GUIDE (CARRIAGE 400 JAPAN)	
20-850-4	56187830000	001	PARALLEL PIN DIN 7-5M6X10-A2	
20-850-6	60530202300	001	PIN	
20-850-20	60530206800	001	LOCKING HANDLE ASSEMBLED	
20-850-40	56739080000	001	WASHER DIN 125-A 8.4-A2-70	
20-850-42	57750600000	001	RETAINING WASHER DIN 6799 6	
20-850-44	60540248000	001	SIDE COVER LEFT	
20-850-46	60540248100	001	SIDE COVER RIGHT	
20-850-60	60540266100	001	BUSHING COMPL.	
20-850-61	50003420000	002	DEFLECTOR RING A21/25 7/4	
20-850-80	60540266600	001	HEX NUT	
20-850-82	56187850000	004	PARALLEL PIN DIN 7-5M6X16-A2	
20-850-84	<b>60540266700</b>	001	SCREW (UP TO DEVICE-NO. 1332926)	
	<b>60540250001</b>	001	BOLT CPL. (FROM DEVICE-NO. 1332927)	
20-850-84-6	56086260000	001	BALL KNOB DIN 319-C 25 M6	

Text page <b>12</b>	<b>A 400 / A 400 FB</b>	Spare parts list No. <b>054.98.3.1013</b>	Series (code No.) <b>90.077</b>
------------------------	-------------------------	--	------------------------------------

Number in drawing X	Order number X	Piece X	Designation X	from status onwards X
20-850-86	60540250301	001	HOLDER	
20-850-88	60540246601	001	TORSION SPRING LEFT	
20-850-89	60540250700	001	ACTUATOR	
20-850-90	57767040000	001	SPR. LOCK WASHER DIN 128-A4-FST	
20-850-91	57429200000	001	HEXAGON SCREW DIN 933-M4X20-A2-70	
20-850-94	60540250500	002	WASHER	
20-850-96	57430160000	002	HEXAGON SCREW DIN 933-M5X16-A2	
20-850-98	57767050000	002	SPR. LOCK WASHER DIN 128-A5-FST	
20-850-100	60540250400	001	NUT PLATE (FROM DEVICE-NO. 1332927)	
20-850-110	60540266800	001	GUIDING UNIT COMPL. (UP TO DEVICE-NO. 1332926)	
20-850-120	56472120000	002	HEXAGON NUT DIN 439-BM12-A2-70	
20-850-122	60540267300	001	SCREW NUT	
20-850-123	95972840000	000	SCREW SEALING ADHESIVE LOCTITE 648 10M	
20-850-124	56082290000	001	SETSCREW DIN 438-M5X10-A2-70	
20-850-125	95972940000	000	SCREW SEALING ADHESIVE LOCTITE 243 10ML	
20-850-126	60540267400	001	BAR	
20-850-128	60540250600	001	ROLL	
20-850-130	60540267600	001	SCREW	
20-850-132	56187710000	004	PARALLEL PIN DIN 7-4M6X8-A2	
20-850-150	60540267700	001	MAGNET BASE CPL.	
20-850-169	60540268100	001	MAGNET ADAPTER CPL.	
20-850-176	57697500000	001	CHEESE-HEAD SCREW DIN 84-M4X16-A2-70	
20-850-178	57697480000	001	CHEESE-HEAD SCREW DIN 84-M4X10-A2-70	
20-850-179	56739040000	001	WASHER DIN 125-A 4.3-A2-70	
20-850-180	57767040000	001	SPR. LOCK WASHER DIN 128-A4-FST	
20-850-200	60540220501	001	GUIDE SHAFT (CARRIAGE 200)	
	60540245701	001	GUIDE SHAFT A404 (CARRIAGE 400)	
20-850-220	60540268800	001	SPACER	
20-850-222	60220005600	001	HEXAGON SCREW OVAL-HEAD M 6X25	
20-850-224	56456600000	001	HEXAGON NUT DIN 934-M6-A2-70	
20-850-226	56739080000	001	WASHER DIN 125-A 8.4-A2-70	
20-850-250	60540246001	001	LEVER COMPL.	
20-850-250-2	60510200215	001	LEVER WITH PIN	
20-850-250-30	60540246101	001	LEVER ASSEMBLED	
20-850-250-50	38026188000	002	BUSHING 1815 DP4	
20-850-250-52	38006643000	002	BUSHING PAP1012P14	
20-850-250-54	56285180000	001	GROOVED PIN DIN 1469-C5X14-6.8	
20-850-250-56	40510200211	001	TENSION SPRING 0510200211	
20-850-250-80	60540246400	001	LOCKING DEVICE WELDED	
20-850-250-100	60530200062	001	FISH PLATE	
20-850-250-102	56265100000	001	ROUND-HEAD NAIL DIN 1476-4X10-A2-70	
20-850-250-108	60540246900	001	PAN HEAD SCREW	
20-850-250-109	60510200056	001	PAN HEAD SCREW M 6X7.1X7	
20-850-250-110	60530200063	001	BAR	
20-850-250-112	57630440000	002	COUNTERSUNK SCREW DIN 963-M4X12-A2-70	
20-850-250-114	60530200094	001	COVER PLATE	
20-850-250-116	57697470000	002	CHEESE-HEAD SCREW DIN 84-M4X8-A2-70	

4

Bitte unbedingt 11-stellige **Bestell-Nr.** angeben • Please always indicate 11 digit **Order No.** • Absolutement nécessaire d'indiquer **No. de commande**  
(11 chiffres) • Favorisca specificarci sempre il **N. di ordine** a 11 cifre • Es imprescindible que citen el **No. de pedido** (11 guarismos)

Amendment: 07/2012

Series (code No.) <b>90.077</b>	Spare parts list No. <b>054.98.3.1013</b>	<b>A 400 / A 400 FB</b>	Text page <b>13</b>
------------------------------------	--	-------------------------	------------------------

Number in drawing X	Order number X	Piece X	Designation X	from status onwards X
20-850-250-150	60530204300	001	PLATE BRACKET PREASSEMBLED	
20-850-250-170	60530200067	001	COLLAR NUT M 8	
20-850-250-200	60540247300	001	STAR KNOB PREASSEMBLED	
20-850-250-250	56456800000	001	HEXAGON NUT DIN 934-M8-X5CRNI18-10	
20-850-250-252	60510200113	001	WASHER 20	
20-850-250-254	40110000046	001	SPRING WASHER 25.2	
20-850-250-256	40110201001	001	WASHER 18.1	
20-850-250-258	60510200132	001	WASHER (2 MM)	
20-850-250-260	60510200133	001	WASHER (1 MM) (AS NECESSARY)	
20-850-250-262	40110201009	001	WASHER	
20-850-250-264	60510200134	001	WASHER (0.5 MM) (AS NECESSARY)	
20-850-250-266	60510200112	001	LOCK NUT M 16X1	
20-850-250-268	60540245900	001	HANDHOLD	
20-850-250-270	56036120000	001	SETSCREW DIN 551-M6X12-14H	
20-850-250-271	94008900059	000	GREASE PARALIQ GA 343	
20-850-250-272	95972840000	000	SCREW SEALING ADHESIVE LOCTITE 648 10M	
20-850-250-273	95972940000	000	SCREW SEALING ADHESIVE LOCTITE 243 10ML	
20-850-260	60540265900	001	PRODUCT HOLDER ASSEMBLED (CARRIAGE 400 JAP)	
20-850-260-42	60540266400	001	SLIDE PIECE	
20-850-260-44	60540266400	001	SELF CLINCHING STUD FHS-M4-12-A2-70	
20-850-260-46	56739040000	001	WASHER DIN 125-A 4.3-A2-70	
20-850-260-48	57767040000	001	SPR. LOCK WASHER DIN 128-A4-FST	
20-850-260-50	56456400000	001	HEXAGON NUT DIN 934-M4-A2-70	
20-850-280	60540247000	002	WASHER	
20-850-282	60540246800	001	SHAFT	
20-850-284	56472600000	001	HEXAGON NUT DIN 439-BM10X1-A2-70	
20-850-286	60530208200	001	CAP NUT	
20-850-288	60540246601	001	TORSION SPRING LEFT	
20-850-290	60540246701	001	TORSION SPRING RIGHT	
20-850-292	60540247100	001	SPACER BUSHING	
20-850-294	60540247400	001	COUNTERBEARING	
20-850-296	60540247500	001	COUNTERBEARING	
20-850-298	60540247600	002	WASHER	
20-850-300	60260207301	001	CONTROL GEAR	
20-850-304	56187710000	004	PARALLEL PIN DIN 7-4M6X8-A2	
20-850-350	60540248400	001	PRODUCT SUPPORTING PLATE ASSEMBLED	
20-850-350-2	60540248500	001	PRODUCT SUPPORTING PLATE	
20-850-350-6	40530203201	004	PUSH BUTTON	
20-850-350-8	60540248700	004	SLIDE PIECE	

Text page <b>14</b>	<b>A 400 / A 400 FB</b>	Spare parts list No. <b>054.98.3.1013</b>	Series (code No.) <b>90.077</b>
------------------------	-------------------------	--	------------------------------------

Number in drawing X	Order number X	Piece X	Designation X	from status onwards X
20-850-400	60530204400	001	PRODUCT HOLDER	
20-850-400-369	60530207200	001	COMMODITY HOLDER HOUSING PREASSY.	
20-850-400-372	60510200081	002	COLLAR STUD	
20-850-400-376	60530207000	002	SIDE COVER	
20-850-400-379	60530200059	003	GRIPPER SHAFT CPL.	
20-850-400-384	60530200060	001	GRIPPER SHAFT CPL.	
20-850-400-389	60530200061	001	GRIPPER SHAFT COMPL.	
20-850-400-397	56086270000	001	BALL KNOB C 32 M 8 DIN 319	
20-850-400-401	56243100000	005	PARALLEL PIN DIN 7-3H11X10-A2-70	
20-850-400-402	60510200037	005	PINION	
20-850-400-406	40510200086	002	PRESSURE SPRING 0510222286	
20-850-400-407	60530200056	002	BRAKE PAD	
20-850-400-410	60530207100	004	HEXAGON SCREW	
20-850-400-411	95972940000	000	SCREW SEALING ADHESIVE LOCTITE 243 10ML	
20-850-450	95972840000	000	SCREW SEALING ADHESIVE LOCTITE 648 10M	
20-850-452	95972940000	000	SCREW SEALING ADHESIVE LOCTITE 243 10ML	
20-850-454	94008900059	000	GREASE PARALIQ GA 343	
20-850-456	96055050000	000	LUBRICATING OIL F.L.5 OIL UH1	
21	60540258905	001	CARRIAGE 600 JPN	
	60540259600	001	CARRIAGE 600 TEFLON NLD	
	60540260005	001	CARRIAGE 600 (FROM DEVICE-NO. 1332927)	
	60540280000	001	CARRIAGE 600 MULTIVAC	
21-2	60540265000	001	CARRIAGE CARRIER LONG ASS.	
21-4	60540265100	001	BEARING ASS.	
21-92	60540260901	001	GUIDE RAIL	
21-160	60540277501	001	PRODUCT SUPPORTER (FROM DEVICE-NO. 1332927)	
21-160-1	60540277401	001	MOUNTING WITH SHAFT	
21-160-3	60540276101	001	HOLDING DOWN DEVICE ASS.	
21-160-3-1	60540276200	001	HOLDING DOWN DEVICE PREASS.	
21-160-3-1-7	60540276400	001	BEARING BUSHING	
21-160-3-3	60540276701	001	HUB	
21-160-3-5	60540277801	001	LOCKING SCREW	
21-160-3-9	60520200143	001	TORSION SPRING	
21-160-3-11	56187830000	001	PARALLEL PIN DIN 7-5M6X10-A2	
21-160-3-13	94008900059	000	GREASE PARALIQ GA 343	
21-160-3-15	56187780000	001	PARALLEL PIN DIN 7-4M6X6-A2	
21-250	60540269100	001	BOLT ASS.	
21-850	60540265402	001	PRODUCT HOLDE GUIDE CPL.	
21-850-2	60540265501	001	PRODUCT HOLDER GUIDE	
21-850-10	60540265600	001	LOCKING LEVER MOUNT.	
21-850-20	56739100000	001	WASHER DIN 125-A 10,5-A2-70	
21-850-22	57753900000	001	RETAINING WASHER DIN 6799-9-1.4122	
21-850-24	60540266000	002	SIDE COVER	
21-850-112	56187710000	004	PARALLEL PIN DIN 7-4M6X8-A2	
21-850-180	60540268301	001	GUIDE SHAFT	

**4**

Bitte unbedingt 11-stellige **Bestell-Nr.** angeben • Please always indicate 11 digit **Order No.** • Absolutement nécessaire d'indiquer **No. de commande**  
(11 chiffres) • Favorisca specificarci sempre il **N. di ordine** a 11 cifre • Es imprescindible que citen el **No. de pedido** (11 guarismos)

Amendment: 07/2012

Series (code No.) <b>90.077</b>	Spare parts list No. <b>054.98.3.1013</b>	<b>A 400 / A 400 FB</b>	Text page <b>15</b>
------------------------------------	--	-------------------------	------------------------

Number in drawing X	Order number X	Piece X	Designation X	from status onwards X
21-850-250	60540269501	001	PRODUCT HOLDER ASS.	
21-850-250-2	60540269600	001	PRODUCT HOLDER	
21-850-250-4	60510200081	002	COLLAR STUD	
21-850-250-6	60540269700	001	SIDE FRAME LEFT	
21-850-250-8	60540269800	001	SIDE FRAME RIGHT	
21-850-250-10	60530200059	003	GRIPPER SHAFT CPL.	
21-850-250-12	60530200060	001	GRIPPER SHAFT CPL.	
21-850-250-14	60540269900	001	GRIPPER SHAFT CPL.	
21-850-250-16	56086270000	001	BALL KNOB C 32 M 8 DIN 319	
21-850-250-18	56243100000	005	PARALLEL PIN DIN 7-3H11X10-A2-70	
21-850-250-20	60510200037	005	PINION	
21-850-250-22	40510200086	002	PRESSURE SPRING 0510222286	
21-850-250-24	60530200056	002	BRAKE PAD	
21-850-250-25	60540277600	001	SELF-TAPPING SCREW M 4X6	
21-850-250-26	60530207100	003	HEXAGON SCREW	
21-850-250-28	60540275100	001	HOLDER PREASS.	
21-850-250-30	56765060000	001	WASHER DIN 9021-6,4-A2-70	
21-850-250-32	60540270100	001	HEXAGON SCREW OVAL-HEAD M 6X12	
21-850-250-34	56413060000	001	HEXAGON CAP NUT DIN 917 M6 A2-70 (A)	
	60540270200	002	CAP NUT (B)	
21-850-250-36	95972940000	000	SCREW SEALING ADHESIVE LOCTITE 243 10ML	
21-850-250-38	40530203201	001	PUSH BUTTON	
21-850-250-40	40530203300	001	SLIDE PIECE	
22	60540220005	001	CARRIAGE 200	
22-2	60540222000	001	CARRIAGE SUPPORTER PREASSEMBLED	
22-123	60540221700	001	FISH PLATE	
25	60540239800	001	SPECIAL CARRIAGE400 DNK SALMON	
	60540239900	001	SPECIAL CARRIAGE 400 JAP SALMON	
	60540259900	001	SPECIAL CARRIAGE 600 JAP SALMON	
25-806	60540201200	001	SEALING PLATE	
27	60541084000	001	INSERT COMPLETE AND PRODUCT HOLDER (MULTIVAC)	
27-10	60541085000	001	PRODUCT HOLDER CPL.	
27-10-10	60541085100	001	GUIDE FEEDER COMPLETE	
27-10-20	60541086000	001	FEEDER ADAPTER	
27-10-30	60540270200	002	CAP NUT	
27-10-31	95972940000	001	SCREW SEALING ADHESIVE LOCTITE 243 10ML	
27-10-35	38900124000	001	PARALLEL PIN DIN 7-8M6X40-A2-70	
27-10-40	60541085600	003	PRODUCT HOLDER	
27-10-50	60541085700	003	CLAMP BOLT	
27-10-60	60541085500	003	CONDUCTOR	
27-10-70	60370161500	003	CLAMP HANDLE SMALL M 5	
27-10-75	56400850000	003	LOCKNUT DIN 985-M5-A2-70	
27-10-80	60220402101	003	COVER	
27-10-90	60530202400	003	SLIDER	

Text page <b>16</b>	<b>A 400 / A 400 FB</b>	Spare parts list No. <b>054.98.3.1013</b>	Series (code No.) <b>90.077</b>
------------------------	-------------------------	--	------------------------------------

Number in drawing X	Order number X	Piece X	Designation X	from status onwards X
27-20	60541080000	003	METAL SHEET INSERT COMPLETE	
27-20-10	60541081900	003	SACER COMPLETE	
27-20-20	60541081200	003	SWING SPACER COMPLETE	
27-20-30	56400850000	006	LOCKNUT DIN 985-M5-A2-70	
27-20-60	38033783000	006	TENSION SPRING	
27-30	60541082100	001	ANGLE	
27-40	60541085800	002	SPACER	
27-50	57431420000	002	HEXAGON SCREW DIN 933-M6X45-A2-70	
28	60370161900	006	LOCKING HANDLE SMALL M5 PRE-ASSEMBLED	
30		001	DRIVE COMPL. FOR TABLE	
30-10	60540300605	001	DRIVE HOUS.TABLE+DISPLAY BOTTOM (FROM DEVICE-NO. 10516522)	
	60540300805	001	DRIVE HOUS. TABLE+DISPLAY TOP (FROM DEVICE-NO. 10516522)	
30-20	60540301700	001	BAR	
30-22	57737250001	002	SOCKET HEAD SCREW DIN 912-M8X25-8.8-A4V	
30-26	60360313203	004	FOOT COMPL.	
30-32	52022230000	001	GEAR MOTOR DC EPG 40V EGP 132/468 (42V / I 35:1; PLANTOGEAR 460S, 90 VISCOSITY , 1/4 L)	
30-36	57442200000	003	COUNTERSUNK SCREW DIN 7991-M8X20-A2-70	
30-37	50003610000	001	O-SEAL 54X3,0	
30-40	71011470000	001	CABLE GLAND PG 9 DIN 46320	
30-41	60546100300	001	CABLE BACKPLANE INTERMEDIATE BOARD 1 A40	
30-60	60540301800	001	CRANK ASSEMBLED	
30-68	50001870000	001	CLAMPING SET 16X20 PSV3001	
30-69	60540302400	001	SPACER RING	
30-70	57736161000	006	SOCKET HEAD SCREW DIN 912-M6X16-10.9	
30-74	60540302001	001	CLAMPING RING	
30-101	57778720000	002	RETAINING RING JV 42X1.75	
30-102	56360940000	002	GROOVED BALL BEARING DIN 625 6004-2RS	
30-103	38004459000	000	LOCTITE 648	
30-108	60540302100	001	SHAFT	
30-109	60540302202	001	BUSHING	
30-200	60540302500	001	ROCKER ARM COMPL.	
30-266	60540303201	001	LINKAGE LONG	
30-267	60540303300	002	FLANGE BUSHING	
30-268	60540303400	002	FLANGE BUSHING	
30-269	57736200000	002	SOCKET HEAD SCREW DIN 912-M6X20-8.8	
30-270	60540303500	001	THRUST WASHER	
30-271	95972840000	000	SCREW SEALING ADHESIVE LOCTITE 648 10M	
30-276	60540303801	001	METAL BLOCK - COUPLING SHORT	
30-277	60540303900	002	METAL RING	
30-278	57736160000	002	SOCKET HEAD SCREW DIN 912-M6X16-8.8	
30-279	60540303600	002	THRUST WASHER	
30-280	95972840000	000	SCREW SEALING ADHESIVE LOCTITE 648 10M	

4

Bitte unbedingt 11-stellige **Bestell-Nr.** angeben • Please always indicate 11 digit **Order No.** • Absolutement nécessaire d'indiquer **No. de commande**  
(11 chiffres) • Favorisca specificarci sempre il **N. di ordine** a 11 cifre • Es imprescindible que citen el **No. de pedido** (11 guarismos)

Amendment: 07/2012

Series (code No.) <b>90.077</b>	Spare parts list No. <b>054.98.3.1013</b>	<b>A 400 / A 400 FB</b>	Text page <b>17</b>
------------------------------------	--	-------------------------	------------------------

Number in drawing X	Order number X	Piece X	Designation X	from status onwards X
30-301	60540304101	001	CARRIAGE GUIDE ASSEMBLED	
30-301-302	60540300501	001	CARRIAGE GUIDE	
30-301-303	60530300078	002	BRASS RING 25X32X20	
30-301-304	60530300066	002	FELT RING 25.5	
30-301-305	60530300067	002	WASHER 26	
30-301-307	60530300053	001	LUBRICATING FELT	
30-301-312	50001410000	001	OILER MOD. 518 E	
30-301-313	60530300010	001	KNOB	
30-301-314	56359410000	001	GROOVED PIN DIN 1473-5X8-A2	
30-301-317	56453180000	002	THREADED INSERT HELI-COIL D M6X9X1.5	
30-301-318	60540304500	001	STOP	
30-301-319	56739060000	002	WASHER DIN 125-A 6,4-A2-70	
30-301-320	57767060000	002	SPR. LOCK WASHER DIN 128-A6-FST	
30-301-321	57431160000	002	HEXAGON SCREW DIN 933-M6X16-A2-70	
30-301-322	60540311600	001	BEARING BOLT	
30-301-326	60540304300	001	DRIVING DISK PREASSEMBLED	
30-301-329	57736300000	002	SOCKET HEAD SCREW DIN 912-M6X30-8.8	
30-301-334	60540304601	001	ROLLER SUPPORT	
30-301-335	57442200000	002	COUNTERSUNK SCREW DIN 7991-M8X20-A2-70	
30-301-338	60540304700	001	ROLLER BOLT	
30-301-339	56739080000	001	WASHER DIN 125-A 8.4-A2-70	
30-301-340	57767080000	001	SPR. LOCK WASHER DIN 128-A8-A2	
30-301-341	56456800000	001	HEXAGON NUT DIN 934-M8-X5CRNI18-10	
30-301-342 (V)	40220102500	001	BALL BEARING	
30-301-343	57750700000	001	RETAINING WASHER DIN 6799 7	
30-301-347	60540304801	001	ECCENTRIC BOLT	
30-301-348	56739060000	001	WASHER DIN 125-A 6,4-A2-70	
30-301-349	57767060000	001	SPR. LOCK WASHER DIN 128-A6-FST	
30-301-350	56456600000	001	HEXAGON NUT DIN 934-M6-A2-70	
30-301-351	00110101004	001	BALL BEARING M. 607-2RS	
30-301-352	57750600000	001	RETAINING WASHER DIN 6799 6	
30-301-356	60540304901	001	CARRIER	
30-301-357	56805420000	002	OVAL-HEAD SCREW DIN 7985-M4X8-4.8	
30-301-358	57767040000	002	SPR. LOCK WASHER DIN 128-A4-FST	
30-301-359	60240101201	001	BELT CLAMP	
30-301-360	57429180000	001	HEXAGON SCREW DIN 933-M4X18-A2-70	
30-301-361	56400890000	001	LOCKNUT DIN 985-M4-A2-70	
30-301-363	60546102700	001	CABLE PLUG INTERMEDIATE BOARD 2 A400	
30-301-370	60540316100	001	LOCKING BAR	
30-301-375	94008900059	000	GREASE PARALIQ GA 343	
30-301-378	50275100000	001	PRESSURE SPRING D-098	
30-301-380	60540316500	001	SUPPORT	
30-301-386	57767060000	002	SPR. LOCK WASHER DIN 128-A6-FST	
30-301-387	56806650000	002	OVAL-HEAD SCREW DIN 7985-M6X12-A2-70	
30-301-388	57347160000	001	HEXAGON SCREW DIN 933-M6X16-8.8	
30-301-394	56768090000	001	WASHER DIN 125-A 4,3 KUNSTSTOFF	
30-301-395	60545920100	001	LPB INTERMEDIATE BOARD 2 A400	
30-301-396	56806410000	001	OVAL-HEAD SCREW DIN 7985-M4X6-A2-70	
30-301-397	56739040000	001	WASHER DIN 125-A 4.3-A2-70	
30-301-398	60540600200	001	COVER	
30-301-399	60540600400	001	SEAL	
30-301-400	56818430000	004	SELF-TAPP.SCREW DIN 7500-CM4X8-T20-ST	
30-301-401	57767040000	004	SPR. LOCK WASHER DIN 128-A4-FST	
30-301-410	96055050000	000	LUBRICATING OIL F.L.5 OIL UH1	

Text page <b>18</b>	<b>A 400 / A 400 FB</b>	Spare parts list No. <b>054.98.3.1013</b>	Series (code No.) <b>90.077</b>
------------------------	-------------------------	--	------------------------------------

Number in drawing X	Order number X	Piece X	Designation X	from status onwards X
30-437	60540305101	002	BEARING BLOCK	
30-438	57736200000	004	SOCKET HEAD SCREW DIN 912-M6X20-8.8	
30-439	60540305201	001	CARRIAGE SHAFT	
30-440	57440440000	002	COUNTERSUNK SCREW DIN 7991-M8X16-8.8	
30-450	60540305400	001	MOUNTING PLATE PREASSEMBLED	
30-450-456	60540305601	001	MOUNTING PLATE	
30-450-480	60540306200	001	SPINDLE COMPL.	
30-450-480-481	60540306300	001	SPINDLE	
30-450-480-482	56365790000	002	GROOVED BALL BEARING DIN 625 608-2RS	
30-450-480-483	60540306400	001	DRIVE SHAFT	
30-450-480-484	57750700000	001	RETAINING WASHER DIN 6799 7	
30-450-480-485	40110102102	003	BOLT 7X 1	
30-450-480-486	94008900059	000	GREASE PARALIQ GA 343	
30-450-480-487	60240320300	001	DRIVER (UP TO DEVICE-NO. 2191702)	
	60820320300	001	DRIVER (FROM DEVICE-NO. 2191703)	
30-450-480-488	56070510000	001	SETSCREW DIN 926-M4X10X2-A2-70	
30-450-480-489	95972940000	000	SCREW SEALING ADHESIVE LOCTITE 243 10ML	
30-450-480-493	60540306500	001	TOOTHED BELT PULLEY COMPL.	
30-450-480-493-541	56055060000	001	SETSCREW DIN 553-M4X6-14H	
30-450-480-494	95972940000	000	SCREW SEALING ADHESIVE LOCTITE 243 10ML	
30-450-480-495	56034160000	001	SETSCREW DIN 551-M5X16-14H	
30-450-496 (V)	50775950000	001	TOOTHED BELT 160XL-037 (80 TEETH)	
30-450-511	57451530000	003	COUNTERS.SCR. DIN 965-M5X12-4.8	
30-450-515	60540320700	001	TIGHTENER	
30-450-516	60540320800	001	TIGHTENING PIN	
30-450-517	56765050000	001	WASHER DIN 9021-5,3-A2-70	
30-450-518	57753400000	001	RETAINING WASHER DIN 6799-4-1.4122	
30-450-519	56765060000	001	WASHER DIN 9021-6,4-A2-70	
30-450-520	56400860000	001	LOCKNUT DIN 985-M6-A2-70	
30-454	57442120000	003	COUNTERSUNK SCREW DIN 7991-M6X12-A2-70	
30-530	60540307000	001	INTERMEDIATE BEARING COMPL.	
30-530-531	60540307101	001	BEARING BUSHING	
30-530-532	56365790000	002	GROOVED BALL BEARING DIN 625 608-2RS	
30-530-534	60540307200	001	INTERMEDIATE BEARING SHAFT	
30-530-538	60540306500	001	TOOTHED BELT PULLEY COMPL.	
30-530-538-541	56055060000	001	SETSCREW DIN 553-M4X6-14H	
30-530-542	95972940000	000	SCREW SEALING ADHESIVE LOCTITE 243 10ML	

4

Bitte unbedingt 11-stellige **Bestell-Nr.** angeben • Please always indicate 11 digit **Order No.** • Absolutement nécessaire d'indiquer **No. de commande**  
(11 chiffres) • Favorisca specificarci sempre il **N. di ordine** a 11 cifre • Es imprescindible que citen el **No. de pedido** (11 guarismos)

Amendment: 07/2012

Series (code No.) <b>90.077</b>	Spare parts list No. <b>054.98.3.1013</b>	<b>A 400 / A 400 FB</b>	Text page <b>19</b>
------------------------------------	--	-------------------------	------------------------

Number in drawing X	Order number X	Piece X	Designation X	from status onwards X
30-530-543	<b>60240313200</b>	001	HELICAL GEAR COMP.	
30-530-544	57734060000	001	SOCKET HEAD SCREW DIN 912-M4X6-8.8	
30-530-545	95972940000	000	SCREW SEALING ADHESIVE LOCTITE 243 10ML	
30-545	56806470000	003	OVAL-HEAD SCREW DIN 7985-M4X25-A2-70	
30-546	57767040000	003	SPR. LOCK WASHER DIN 128-A4-FST	
30-550	60540307301	001	MOTOR PEDESTAL FOR CHAIN FRAME DRIVE	
	60540920601	001	MOTOR PEDESTAL FRA FOR CHAIN FRAME DRIVE (FRA)	
30-551	<b>52004030000</b>	001	MOTOR D.C. 24V L300 GR 42X40 RE30	
30-552	56805731000	004	OVAL-HEAD SCREW DIN 7985-M3X8-T10-8.8	
30-553	57767030000	004	SPR. LOCK WASHER DIN 128-A3-FST	
30-555	57736120000	002	SOCKET HEAD SCREW DIN 912-M6X12-8.8	
30-556	57767060000	002	SPR. LOCK WASHER DIN 128-A6-FST	
30-560	<b>60240303800</b>	001	WORM	
30-561	56083100000	001	SETSCREW DIN 913-M4X4-45H	
30-562	95972940000	000	SCREW SEALING ADHESIVE LOCTITE 243 10ML	
30-563	94008900058	000	KLUEBERSYNTH UH1 64-62/25KG	
30-570	60540307400	001	TRANSDUCER INSTALLATION COMPL. (UP TO DEVICE-NO. 2162294)	
	60540306800	001	TRANSDUCER ASSEMBLED A400 (FROM DEVICE-NO. 2162295)	
30-570-576	60540307601	001	FASTENING PLATE FOR TRANSDUCER	
30-570-578	52004021000	001	SHAFT ENCODER VS 8D UL (UP TO DEVICE-NO. 2162294)	
	60540306901	001	SHAFT ENCODER A 400 (FROM DEVICE-NO. 2162295)	
30-570-579	60540307800	001	INCREMENTAL ENCODER MOUNTING (UP TO DEVICE-NO. 2162294)	
	60540307801	001	INCREMENTAL ENCODER MOUNTING (FROM DEVICE-NO. 2162295)	
30-570-580	57767030000	004	SPR. LOCK WASHER DIN 128-A3-FST	
30-570-581	56805731000	004	OVAL-HEAD SCREW DIN 7985-M3X8-T10-8.8 (UP TO DEVICE-NO. 2162294)	
	56806270000	004	OVAL-HEAD SCREW DIN 7985-M3X8-A2-70 (FROM DEVICE-NO. 2162295)	
30-570-582	60240300800	001	THRUST WASHER (UP TO DEVICE-NO. 2162294)	
	60820308601	001	DISK (FROM DEVICE-NO. 2162295)	

Text page <b>20</b>	<b>A 400 / A 400 FB</b>	Spare parts list No. <b>054.98.3.1013</b>	Series (code No.) <b>90.077</b>
------------------------	-------------------------	--	------------------------------------

Number in drawing X	Order number X	Piece X	Designation X	from status onwards X
30-570-583	50312980000	001	TOOTHED BELT DISK 36MXL 025/AB	
30-570-586	60540308000	001	COVER	
30-570-587	60540307900	001	SPACER	
30-570-588	61520900069	001	WASHER 5	
30-570-589	57767050000	001	SPR. LOCK WASHER DIN 128-A5-FST	
30-570-590	56805660000	001	OVAL-HEAD SCREW DIN 7985-M5X50-5.8	
30-572	57767040000	002	SPR. LOCK WASHER DIN 128-A4-FST	
30-573	57451530000	001	COUNTERS.SCR. DIN 965-M5X12-4.8 (UP TO DEVICE-NO. 2162294)	
	56805440000	002	OVAL-HEAD SCREW DIN 7985-M4X12-A2-70 (FROM DEVICE-NO. 2162295)	
30-575	71004520000	004	FLAT CABEL HOLDER 3484-1000	
30-600	60540308100	001	FISH PLATE, PREASSEMBLED	
30-605	60540308301	001	SPACER	
30-610	56806500000	002	OVAL-HEAD SCREW DIN 7985-M4X35-A2-70	
30-611	57767040000	002	SPR. LOCK WASHER DIN 128-A4-FST	
30-615 (V)	50008000000	001	TOOTHED BELT FLENDER 80 420X1/4	
30-622	60240300900	001	CLAMPING PLATE COMPL.	
30-622-3151	60240301000	001	CLAMPING PLATE, PREASSEMBLED	
30-622-3154	50998680000	001	TENSION SPRING RZ-080	
30-622-3155	60240301300	001	GUIDE ROLLER, PREASSEMBLED W.BEARING 625	
30-622-3155-3156	60240301401	001	GUIDE PULLEY	
30-622-3155-3157	56365550000	001	GROOVED BALL BEARING DIN 625 625	
30-622-3159	57773050000	001	RETAINING RING DIN 471-5X0,6	
30-622-3160	50493150000	001	WASHER D25 PVC P	
30-622-3161	94008900058	000	KLUEBERSYNTH UH1 64-62/25KG	
30-623	60540312100	001	MAGNET HOLDER COMPL.	
30-627	56806430000	001	OVAL-HEAD SCREW DIN 7985-M4X10-A2-70	
30-628	57767040000	001	SPR. LOCK WASHER DIN 128-A4-FST	
30-635	60546100900	001	SENSOR COMPL. PRODUCT END A400	
30-636	60540308400	001	SENSOR SUPPORT	
30-637	56805420000	002	OVAL-HEAD SCREW DIN 7985-M4X8-4.8	
30-638	57758610000	002	TOOTHED WASHER DIN 6797-A 4,3-FST	
30-645	60540324300	001	SUPPORTING RINGE	
30-646	95972840000	000	SCREW SEALING ADHESIVE LOCTITE 648 10M	
30-650	60540308801	001	LIFTING TUBE, COMPL. (FROM DEVICE-NO. 1563762)	
30-650-651	60540308902	001	GUIDE (FROM DEVICE-NO. 1563762)	
30-650-652	56365790000	002	GROOVED BALL BEARING DIN 625 608-2RS	

4

Bitte unbedingt 11-stellige **Bestell-Nr.** angeben • Please always indicate 11 digit **Order No.** • Absolutement nécessaire d'indiquer **No. de commande**  
(11 chiffres) • Favorisca specificarci sempre il **N. di ordine** a 11 cifre • Es imprescindible que citen el **No. de pedido** (11 guarismos)

Amendment: 07/2012

Series (code No.) <b>90.077</b>	Spare parts list No. <b>054.98.3.1013</b>	<b>A 400 / A 400 FB</b>	Text page <b>21</b>
------------------------------------	--	-------------------------	------------------------

Number in drawing X	Order number X	Piece X	Designation X	from status onwards X
30-650-656	60540309000	001	PINION SHAFT (UP TO DEVICE-NO. 1563761)	
	60540309001	001	PINION SHAFT (FROM DEVICE-NO. 1563762)	
30-650-657	57750700000	001	RETAINING WASHER DIN 6799 7 (UP TO DEVICE-NO. 1563761)	
	57773080000	001	RETAINING RING DIN 471-8X0,8 (FROM DEVICE-NO. 1563762)	
30-650-658	50000640000	001	SHAFT SEAL DIN 3760-BA9X22X7 (FROM DEVICE-NO. 1563762)	
30-650-660	60540309101	001	MOUNTING (FROM DEVICE-NO. 1563762)	
30-650-661	38027530000	002	BUSHING 1215 DP4	
30-650-662	56070560000	001	SETSCREW DIN 926-M5X6X4-A2-70 (UP TO DEVICE-NO. 1563761)	
	57629520000	001	COUNTERSUNK SCREW DIN 963-M5X10-A2-70 (FROM DEVICE-NO. 1563762)	
30-650-663	95972840000	000	SCREW SEALING ADHESIVE LOCTITE 648 10M	
30-650-664	94008900059	000	GREASE PARALIQ GA 343	
30-650-666	60540309200	001	COVER PLATE	
30-650-667	95943800002	000	PATTEX GLUE CLASSIC 125G	
30-650-675	60540309300	001	GUIDE PIECE	
30-650-676	56359180000	001	GROOVED PIN DIN 1473-2X10-A2	
30-650-677	56806580000	001	OVAL-HEAD SCREW DIN 7985-M5X30-A2-70	
30-650-679	95972840000	000	SCREW SEALING ADHESIVE LOCTITE 648 10M	
30-650-682	60540309400	001	GEAR RACK	
30-650-683	50003630000	002	O-SEAL 11X2,5	
30-650-690	60540309500	001	BRACKET COMPL.	
30-650-690-691	60540309600	001	BRACKET	
30-650-690-692	60540309700	001	STOP	
30-650-690-693	56263070000	001	ROUND-HEAD NAIL DIN 1476-3X6-A2-70	
30-650-690-694	60540309800	002	SUPPORT	
30-650-690-695	56359290000	002	GROOVED PIN DIN 1473-3X10-A2	
30-650-690-696	60540309900	001	TABLE MOUNTING	
30-650-690-697	56356000000	001	GROOVED PIN DIN 1473-4X6-ST	
30-650-690-698	57630430000	001	COUNTERS.SCR. DIN 963-M4X10-A2-70	
30-650-690-699	60540271900	001	MAGNET VACODYM370WZ, ROUND 10X4	
30-650-690-700	95972810000	000	ROCCASOL 220 SI/310 ML	
30-650-690-701	60540310000	001	TABLE FIXATION	
30-650-690-702	57630450000	002	COUNTERSUNK SCREW DIN 963-M4X16-A2-70	
30-650-690-703	95972940000	000	SCREW SEALING ADHESIVE LOCTITE 243 10ML	
30-650-710	57442120000	002	COUNTERSUNK SCREW DIN 7991-M6X12-A2-70	
30-650-711	95972940000	000	SCREW SEALING ADHESIVE LOCTITE 243 10ML	

Text page <b>22</b>	<b>A 400 / A 400 FB</b>	Spare parts list No. <b>054.98.3.1013</b>	Series (code No.) <b>90.077</b>
------------------------	-------------------------	--	------------------------------------

Number in drawing X	Order number X	Piece X	Designation X	from status onwards X
30-723	60540310800	001	BOTTOM PLATE PRE-ASSEMBL.	
30-724	67501384600	001	WARNING PLATE CSA	
30-726	56818430000	012	SELF-TAPP.SCREW DIN 7500-CM4X8-T20-ST	
30-727	56739080000	001	WASHER DIN 125-A 8.4-A2-70	
30-728	57350120000	001	HEXAGON SCREW DIN 933-M8X12-8.8	
30-729	60540310900	001	COVER PLATE	
30-801	60540316801	001	BEARIG SLEEVE MOUNT	
30-804	94008900058	000	KLUEBERSYNTH UH1 64-62/25KG	
30-805	95972840000	000	SCREW SEALING ADHESIVE LOCTITE 648 10M	
30-806	60540316000	001	PRESSURE SPRING 85 MM (UP TO DEVICE-NO. 1428858)	
	60540316001	001	PRESSURE SPRING 100 MM (FROM DEVICE-NO. 1428859)	
30-810	60540317001	001	MAGNET HOLDER ASSEMBLED (FROM DEVICE-NO. 1428858)	
30-810-811	60540317100	001	MAGNET HOLDER (UP TO DEVICE-NO. 1428858)	
	60540317102	001	MAGNET HOLDER (FROM DEVICE-NO. 1428859)	
30-810-820	71150710000	001	MAGNET TRAVEL TDS-K10SL (UP TO DEVICE-NO. 1428858)	
	71150780000	001	MAGNET TRAVEL TDS-K12E (FROM DEVICE-NO. 1428859)	
30-810-821	56805330000	003	OVAL-HEAD SCREW DIN 7985-M3X6-4.8	
30-810-822	57767030000	003	SPR. LOCK WASHER DIN 128-A3-FST	
30-810-830	60540317200	001	OPERATING ANGLE PLATE (UP TO DEVICE-NO. 1428858)	
	60540317202	001	SWITCH ANGLE (FROM DEVICE-NO. 1428859)	
30-810-831	56350100000	001	PARALLEL NOTCHED PIN 2 X10 (UP TO DEVICE-NO. 1428858)	
	56359300000	001	GROOVED PIN DIN 1473-3X12-A2 (FROM DEVICE-NO. 1428859)	
30-810-835	60546101200	001	CABLE MAGNET LOCKING -> BACKPLANE A400	
30-810-840	71027080000	001	SWITCH	
30-810-841	56805470000	002	OVAL-HEAD SCREW DIN 7985-M4X20-5.8	
30-810-842	56739040000	002	WASHER DIN 125-A 4.3-A2-70	
30-810-843	60533302001	001	NUT PLATE	

4

Bitte unbedingt 11-stellige **Bestell-Nr.** angeben • Please always indicate 11 digit **Order No.** • Absolutement nécessaire d'indiquer **No. de commande**  
(11 chiffres) • Favorisca specificarci sempre il **N. di ordine** a 11 cifre • Es imprescindible que citen el **No. de pedido** (11 guarismos)

Amendment: 07/2012

Series (code No.) <b>90.077</b>	Spare parts list No. <b>054.98.3.1013</b>	<b>A 400 / A 400 FB</b>	Text page <b>23</b>
------------------------------------	--	-------------------------	------------------------

Number in drawing	Order number	Piece	Designation	from status onwards
X	X	X	X	X
30-845	60546102000	001	CABLE BACKPLANE-->SLICE THICKN.SWITCH A40	
30-850	57767040000	002	SPR. LOCK WASHER DIN 128-A4-FST	
30-851	56805430000	002	OVAL-HEAD SCREW DIN 7985-M4X10-5.8	
30-860	60540317300	001	SWITCH ROD	
30-861	60540317401	001	CONTACT PIECE	
30-862	56739040000	001	WASHER DIN 125-A 4.3-A2-70	
30-863	56456400000	001	HEXAGON NUT DIN 934-M4-A2-70	
30-864	95972840000	000	SCREW SEALING ADHESIVE LOCTITE 648 10M	
30-865	56739040000	001	WASHER DIN 125-A 4.3-A2-70	
30-866	56456400000	001	HEXAGON NUT DIN 934-M4-A2-70	
30-870	60540317500	001	SPACER RING	
30-871	40140200901	001	PROTECTIVE PLUG	
30-880	60540321100	001	CABLE SUPPORT COMPL.	
30-880-881	60540312000	001	CABLE SUPPORT	
30-880-883	56768090000	001	WASHER DIN 125-A 4,3 KUNSTSTOFF	
30-880-884	60545910100	001	LPB INTERMEDIATE BOARD 1 A400	
30-880-885	56806410000	001	OVAL-HEAD SCREW DIN 7985-M4X6-A2-70	
30-880-886	56739040000	001	WASHER DIN 125-A 4.3-A2-70	
30-880-887	60546101000	001	FLEXIBLE CABLE CARRIAGE A400	
30-880-890	71011470000	001	CABLE GLAND PG 9 DIN 46320	
30-880-894	60540600100	001	SCHLEKA HOUSING	
30-880-896	60540600300	001	SEAL	
30-880-898	56805430000	004	OVAL-HEAD SCREW DIN 7985-M4X10-5.8	
30-880-899	56739040000	004	WASHER DIN 125-A 4.3-A2-70	
30-904	56805420000	002	OVAL-HEAD SCREW DIN 7985-M4X8-4.8	
30-905	57767040000	002	SPR. LOCK WASHER DIN 128-A4-FST	
30-1000	60540313000	001	FLANGE	
30-1001	57736160000	002	SOCKET HEAD SCREW DIN 912-M6X16-8.8	
30-1002	57767060000	002	SPR. LOCK WASHER DIN 128-A6-FST	
30-1003	56359440000	002	GROOVED PIN DIN 1473-5X16-A2	
30-1010	56365790000	002	GROOVED BALL BEARING DIN 625 608-2RS	
30-1011	60540313100	001	ELEVATING SPINDLE	
30-1013	60610300019	010	THRUST WASHER	
30-1080	60540312600	001	TABLE MOVING SYSTEM VERTICAL PREASSEMBLE (A)	
	60540312700	001	TABLE MOVING SYSTEM HORIZONT. PREASSEMB. (B)	
30-1080-2	60540313400	001	NUT PLATE SUPPORT	
30-1080-4	38027530000	002	BUSHING 1215 DP4	
30-1080-6	56456600000	001	HEXAGON NUT DIN 934-M6-A2-70	
30-1080-8	57767060000	001	SPR. LOCK WASHER DIN 128-A6-FST	
30-1080-10	57736200000	001	SOCKET HEAD SCREW DIN 912-M6X20-8.8	
30-1080-12	60540313900	001	NUT PLATE	
30-1080-14	57767050000	002	SPR. LOCK WASHER DIN 128-A5-FST	
30-1080-16	57743240000	002	SOCKET HEAD SCREW DIN 912-M5X12-A2-70	
30-1080-20	60540312901	001	MOTOR FLANGE KPL.	
30-1080-22	57767050000	002	SPR. LOCK WASHER DIN 128-A5-FST	
30-1080-24	57743240000	002	SOCKET HEAD SCREW DIN 912-M5X12-A2-70	
30-1080-26	52004050000	001	MOTOR D.C. 40V L65 GR 42X40 RE30	
30-1080-28	57767030000	004	SPR. LOCK WASHER DIN 128-A3-FST	

Bitte unbedingt 11-stellige **Bestell-Nr.** angeben • Please always indicate 11 digit **Order No.** • Absolutement nécessaire d'indiquer **No. de commande** (11 chiffres) • Favorisca specificarci sempre il **N. di ordine** a 11 cifre • Es imprescindible que citen el **No. de pedido** (11 guarismos)

Text page <b>24</b>	<b>A 400 / A 400 FB</b>	Spare parts list No. <b>054.98.3.1013</b>	Series (code No.) <b>90.077</b>
------------------------	-------------------------	--	------------------------------------

Number in drawing X	Order number X	Piece X	Designation X	from status onwards X
30-1080-30	56805731000	004	OVAL-HEAD SCREW DIN 7985-M3X8-T10-8.8	
30-1080-32	<b>60240303800</b>	001	WORM	
30-1080-34	56083100000	001	SETScrew DIN 913-M4X4-45H	
30-1080-36	95972940000	000	SCREW SEALING ADHESIVE LOCTITE 243 10ML	
30-1080-40	60545500103	001	LPB DISTRIBUTOR BOARD HORIZONTAL A400 (B)	
	60545600103	001	LPB DISTRIBUTOR BOARD VERTICAL A400 (A)	
30-1080-40-15	60546102400	001	CABLE DISTR. PLATE TO CPU A 400	
30-1080-40-16	60546400100	001	TRACTION RELIEF FLEXIBLE CABLE A400	
30-1080-40-17	60546102300	001	CABLE DISTR. PLATE TO POWER PART A 400	
30-1080-40-18	56805731000	002	OVAL-HEAD SCREW DIN 7985-M3X8-T10-8.8	
30-1080-40-20	56735320000	002	WASHER DIN 125-A 3.2-ST	
30-1080-40-22	57766020000	002	SPR. LOCK WASHER DIN 128-A3	
30-1080-40-24	60546101100	001	FLEXIBLE CABLE TABLE A400	
30-1080-42	56739040000	002	WASHER DIN 125-A 4.3-A2-70	
30-1080-44	56805410000	002	OVAL-HEAD SCREW DIN 7985-M4X6-5.8	
30-1080-46	60546102200	001	CABLE TRANSDUCER VERTICAL/HORIZONT. A400	
30-1080-50	60540313500	001	PARALLEL GUIDE	
30-1080-52	60511700073	001	SLIDE PIN	
30-1080-54	60510100154	001	THREADED PIN M 6X12	
30-1080-56	56456600000	001	HEXAGON NUT DIN 934-M6-A2-70	
30-1080-58	57767050000	002	SPR. LOCK WASHER DIN 128-A5-FST	
30-1080-60	57735160000	002	SOCKET HEAD SCREW DIN 912-M5X16-8.8	
30-1080-70	60540314200	001	MAGNET ANGLE PLATE PREASSEMBLED	
30-1080-72	56805430000	002	OVAL-HEAD SCREW DIN 7985-M4X10-5.8	
30-1080-74	57767040000	002	SPR. LOCK WASHER DIN 128-A4-FST	
30-1080-76	60540271900	001	MAGNET VACODYM370WZ, ROUND 10X4	
30-1110	60540313701	002	BUSHING	
30-1111	60540313800	001	RAIL	
30-1112	57736300000	002	SOCKET HEAD SCREW DIN 912-M6X30-8.8	
30-1113	57767060000	002	SPR. LOCK WASHER DIN 128-A6-FST	
30-1114	56765060000	001	WASHER DIN 9021-6,4-A2-70	
30-1181	56805430000	004	OVAL-HEAD SCREW DIN 7985-M4X10-5.8	
30-1182	57767040000	004	SPR. LOCK WASHER DIN 128-A4-FST	
30-1185	60540314400	002	PC BOARD GUIDE "TROVI"	
30-1186	57429180000	002	HEXAGON SCREW DIN 933-M4X18-A2-70	
30-1187	56456400000	002	HEXAGON NUT DIN 934-M4-A2-70	
30-1250	29286030000	000	SILICONE TUBE NW2,5X0,5 WALL	
30-1251	60540315101	001	COVER	
	60540325100	001	COVER PLATE PREMOUNT.MULTIVAC	
30-1256	56923100000	010	COUNTER SUNK SCREW DIN 964-M4X10-A2-70	
30-1500	60540317800	001	ANGLE PLATE	
30-1501	60540317900	001	ANGLE PLATE	

4

Bitte unbedingt 11-stellige **Bestell-Nr.** angeben • Please always indicate 11 digit **Order No.** • Absolutement nécessaire d'indiquer **No. de commande**  
(11 chiffres) • Favorisca specificarci sempre il **N. di ordine** a 11 cifre • Es imprescindible que citen el **No. de pedido** (11 guarismos)

Amendment: 07/2012

Series (code No.) <b>90.077</b>	Spare parts list No. <b>054.98.3.1013</b>	<b>A 400 / A 400 FB</b>	Text page <b>25</b>
------------------------------------	--	-------------------------	------------------------

Number in drawing	Order number	Piece	Designation	from status onwards
X	X	X	X	X
30-1505	57429120000	008	HEXAGON SCREW DIN 933-M4X12-A-70 (UP TO DEVICE-NO. 10511169)	
	57429100000	008	HEXAGON SCREW DIN 933-M4X10-A2-70 (FROM DEVICE-NO. 10516522)	
30-1506	57767040000	008	SPR. LOCK WASHER DIN 128-A4-FST	
30-1510	60540317600	002	FLAT MATERIAL	
30-1511	56337200000	004	GROOVED PIN DIN 1474-5X20 A2-70	
30-1520	40511500020	002	PRESSURE SPRING 0511500020	
30-1521	60540317700	002	PIN	
30-1525	57750000000	002	WASHER SR1947 5,2	
30-1530	60540318000	001	HAND GUARD	
30-1600	60540320200	001	INTERMEDIATE PLATE	
30-1605	40223504700	001	AIR SHAFT	
30-1607	56818440000	002	SELF-TAPP.SCREW DIN 7500-CM4X12-T20-ST	
30-1610	60540324810	001	DEFLECTOR	
30-1613	95972810000	000	ROCCASOL 220 SI/310 ML	
30-1614	94008900059	000	GREASE PARALIQ GA 343	
30-1615	50003400000	001	DEFLECTOR RING A30/38 7/5	
30-1620	60540320600	001	COVER NUT	
30-1650	71199410000	001	SWITCH (UP TO DEVICE-NO. 1276987)	
	60546424001	001	MAIN SWITCH A400 24V (DEVICE-NO. 1276988 - 10511169)	
30-1650-1	60540324101	001	SWITCH FRAME	
30-1650-3	60540324200	001	SWITCH SEALING	
30-1650-5	57455430000	004	TAPPING SCREW ISO 7049-F4.2X9.5-ST	
30-1650-7	57758610000	004	TOOTHED WASHER DIN 6797-A 4,3-FST	
30-1650-11	60666401100	002	THRUST WASHER	
30-1650-13	50003680000	001	O-SEAL 20X1.0 NBR 70	
30-1650-15	60220902000	001	DECO FOIL HORIZONTAL	
30-1650-19	60545110101	001	LPB I/O LED 24V A400	
30-1650-19-400	71037690000	002	LIGHT-EMITTING DIODE H-WHITE NSPW-310AS	
30-1650-25	60546104200	001	KEYBOARD CABLE LED A400	
30-1651	60545800101	001	LPB ON/OFF SWITCH A400 (UP TO DEVICE-NO. 1276987)	
30-1651-10	71118990000	001	GLOW LAMP 28V 40MA 190133003	
30-1652	60140000601	004	WASHER 10.9X2	
30-1653	56805420000	004	OVAL-HEAD SCREW DIN 7985-M4X8-4.8	
30-1800	60260310001	001	FISH PLATE	
30-1802	57767040000	001	SPR. LOCK WASHER DIN 128-A4-FST	
30-1804	56818430000	001	SELF-TAPP.SCREW DIN 7500-CM4X8-T20-ST	
30-1810	60540321900	001	CABLE COVER	
30-1812	57767040000	001	SPR. LOCK WASHER DIN 128-A4-FST	
30-1814	56818430000	001	SELF-TAPP.SCREW DIN 7500-CM4X8-T20-ST	
30-1820	60540322001	001	FISH PLATE	

Text page <b>26</b>	<b>A 400 / A 400 FB</b>	Spare parts list No. <b>054.98.3.1013</b>	Series (code No.) <b>90.077</b>
------------------------	-------------------------	--	------------------------------------

Number in drawing	Order number	Piece	Designation	from status onwards
X	X	X	X	X
31		001	DRIVE COMPL. FOR CONVEYOR BELT	
31-10	60540300705	001	DRIV.HOUS:CB+DISPLAY BOTTOM (FROM DEVICE-NO. 10516522)	
	60540300901	001	DRIVE HOUS. CON. BEL. TOP (UP TO DEVICE-NO. 10511169)	
	60540300905	001	DRIVE HOUS.CB+DISPLAY TOP (FROM DEVICE-NO. 10516522)	
	60540325200	001	DRIV:HOUS.CB W/O DISPLAY FOR VP63	
31-301	60540304201	001	CARRIAGE GUID. MOUNTED (SPECIAL CARRIAGE JAPAN)	
31-550	60540307301	001	MOTOR PEDESTAL FOR CHAIN FRAME DRIVE	
	60540920601	001	MOTOR PEDESTAL FRA FOR CHAIN FRAME DRIVE (FRA+ITA, OUTPUT ON VP 6)	
31-723	60540310800	001	BOTTOM PLATE PRE-ASSEMBL. (ITA, OUTPUT ON VP 63)	
	60540312501	001	BOTTOM PLATE PREMOUNTED	
31-880	60540312000	001	CABLE SUPPORT (SPECIAL CARRIAGE JAPAN)	
31-1251	60540315101	001	COVER (WITHOUT LUMINOUS SWITCH)	
	60540315500	001	COVER PLATE PREASSEM. (FRA+ITA, OUTPUT ON VP 6, WITH LUMINOUS SWITCH)	
31-1252	60540325100	001	COVER PLATE PREMOUNT.MULTIVAC	
31-1254	60606110200	001	CABLE BACKPLANE VPM IN A400	
31-1257	60540315200	001	HOLDER LIGHT BARRIER ASSEMBLED	
	56923300000	001	COUNTER SUNK SCREW DIN 964-M4X30-A2-70	
31-1600	60540321000	001	MOTOR PLATE COMPL. (UP TO DEVICE-NO. 1332926)	
	60540322600	001	MOTOR PLATE COMPL. SIZE 42 (FROM DEVICE-NO. 1332927, WITH MOTOR PLATE A)	
	60540323600	001	MOTOR PLATE CPL. GR 42 (FROM DEVICE-NO. 1332927, WITH MOTOR PLATE B)	
31-1600-2	60540319000	001	MOTOR PLATE (UP TO DEVICE-NO. 1332926)	
	60540322701	001	MOTOR PLATE (FROM DEVICE-NO. 1332927; A)	
	60540323700	001	MOTOR PLATE (FROM DEVICE-NO. 1332927; B)	

4

Bitte unbedingt 11-stellige **Bestell-Nr.** angeben • Please always indicate 11 digit **Order No.** • Absolument nécessaire d'indiquer **No. de commande**  
(11 chiffres) • Favorisca specificarci sempre il **N. di ordine** a 11 cifre • Es imprescindible que citen el **No. de pedido** (11 guarismos)

Amendment: 07/2012

Series (code No.) <b>90.077</b>	Spare parts list No. <b>054.98.3.1013</b>	<b>A 400 / A 400 FB</b>	Text page <b>27</b>
------------------------------------	--	-------------------------	------------------------

Number in drawing X	Order number X	Piece X	Designation X	from status onwards X
31-1600-4	52022240000	001	GEAR MOTOR DC GR 63X25 RE30 (40V/I 10:1; UP TO DEVICE-NO. 1332926)	
	52022280000	001	GEAR MOTOR DC GR 42X40 RE30 (24V/I 15:1; FROM DEVICE-NO. 1332927)	
31-1600-6	60540319200	001	TOOTHED BELT PULLEY COMPL. (UP TO DEVICE-NO. 1332926)	
	60540306500	001	TOOTHED BELT PULLEY COMPL. (FROM DEVICE-NO. 1332927)	
31-1600-6-541	56055060000	001	SETSCREW DIN 553-M4X6-14H	
31-1600-8	95972940000	000	SCREW SEALING ADHESIVE LOCTITE 243 10ML	
31-1600-10	60540322801	004	SPACER (FROM DEVICE-NO. 1332927)	
	60540319500	004	SPACER (UP TO DEVICE-NO. 1332926)	
31-1600-12	56739050000	004	WASHER DIN 125-A 5,3 -A2-70 (UP TO DEVICE-NO. 1332926)	
	56765040000	004	WASHER DIN 9021-4,3-A2-70 (FROM DEVICE-NO. 1332927)	
31-1600-13	57767050000	004	SPR. LOCK WASHER DIN 128-A5-FST	
31-1600-14	57345300000	004	HEXAGON SCREW DIN 933-M5X30-8.8 (UP TO DEVICE-NO. 1332926)	
	57680400000	004	CHEESE-HEAD SCREW DIN 84-M4X40-5.8 (FROM DEVICE-NO. 1332927)	
31-1600-16	71067290000	004	SPACER 6.35 LPR 8520	
31-1600-17	56455430000	004	HEXAGON NUT DIN 934 M4-PA66	
31-1600-18	60545300103	001	LPB CONVEYOR BELT CONNECTION A400	
31-1600-20	60546102800	001	CABLE TRANSDUCER RE30 A400	
31-1600-1619	56739050000	004	WASHER DIN 125-A 5,3 -A2-70	
31-1600-1620	56805500000	004	OVAL-HEAD SCREW DIN 7985-M5X8-5.8	
31-1630	57767060000	002	SPR. LOCK WASHER DIN 128-A6-FST	
31-1631	57736160000	002	SOCKET HEAD SCREW DIN 912-M6X16-8.8	
31-1658	56081060000	001	SETSCREW DIN 916-M6X8-A2-70	
31-1659	60540319400	001	SHAFT BEARING II	
31-1660	60540318400	002	SHAFT BEARING	
31-1661	60540318500	001	SHAFT	
31-1662	57767060000	002	SPR. LOCK WASHER DIN 128-A6-FST	
31-1663	57736160000	002	SOCKET HEAD SCREW DIN 912-M6X16-8.8	
31-1664	95972840000	000	SCREW SEALING ADHESIVE LOCTITE 648 10M	
31-1680	60540318600	001	COUNTERBEARING	
31-1681	60540318700	001	STOP PIN	
31-1682	56082150000	001	SETSCREW DIN 438-M4X5-A2-70	
31-1686	60540318800	001	CATCH	
31-1687	60540318900	001	BUSHING	

Text page <b>28</b>	<b>A 400 / A 400 FB</b>	Spare parts list No. <b>054.98.3.1013</b>	Series (code No.) <b>90.077</b>
------------------------	-------------------------	--	------------------------------------

Number in drawing X	Order number X	Piece X	Designation X	from status onwards X
31-1688	56765060000	001	WASHER DIN 9021-6,4-A2-70	
31-1689	57431160000	001	HEXAGON SCREW DIN 933-M6X16-A2-70	
31-1695	57767060000	002	SPR. LOCK WASHER DIN 128-A6-FST	
31-1696	57736200000	002	SOCKET HEAD SCREW DIN 912-M6X20-8.8	
31-1750	60540320300	001	INTERMEDIATE PLATE	
31-1751	50003400000	001	DEFLECTOR RING A30/38 7/5	
31-1752	95972940000	000	SCREW SEALING ADHESIVE LOCTITE 243 10ML	
31-1755	40223504700	001	AIR SHAFT	
31-1757	56818440000	002	SELF-TAPP.SCREW DIN 7500-CM4X12-T20-ST	
31-1770	60540320600	001	COVER NUT	
31-1780	60546101801	001	CA. RVDR. CPU/DISPL. A 400	
31-1781	60546110100	001	CABLE ON/OFF A40 GEN 2	
31-1782	71004520000	001	FLAT CABEL HOLDER 3484-1000	
31-1790	71010650000	001	CABLE GLAND PG7 UL53015000	
31-1900	71010820000	003	CABLE GLAND M16 UL 53111010	
	71010850000	001	CABLE GLAND M20X1.5 UL 53111020	
31-1902	71161170000	004	NUT GMP-GL M16	
	71161180000	001	NUT GMP-GL M20	
31-1910	71066170000	001	DUMMY PLUG BLK- M16	
32	60540301500	004	THREADED BOLT	
35	60540318200	001	SWITCH BOLT	
36	95972940000	000	SCREW SEALING ADHESIVE LOCTITE 243 10ML	
40	60540410000	001	DEPOSITING TABLE COMPL.	
40-1	60540400201	001	DEPOSITING TABLE WELDED	
40-20	60540400500	001	LOCKING PIN	
40-22	57767050000	001	SPR. LOCK WASHER DIN 128-A5-FST	
40-24	56400850000	001	LOCKNUT DIN 985-M5-A2-70	
40-30	60540403200	001	LEVER	
40-32	56765040000	001	WASHER DIN 9021-4,3-A2-70	
40-34	56400890000	001	LOCKNUT DIN 985-M4-A2-70	
40-36	50281130000	002	DISC SPRING 12X4,2X0,5-NIRO	
40-40	60540402401	001	BLOCK	
40-42	57767030000	002	SPR. LOCK WASHER DIN 128-A3-FST	
40-44	57697070000	002	CHEESE-HEAD SCREW DIN 84-M3X8-A2-70	
40-46	95972840000	000	SCREW SEALING ADHESIVE LOCTITE 648 10M	
40-50	60540402200	001	PAPER HOLDER LONG	
40-52	60540403000	001	SHAFT	
40-54	56739040000	002	WASHER DIN 125-A 4.3-A2-70	
40-56	60540403300	001	LEG SPRING	
40-58	57753320000	003	RETAINING WASHER DIN 6799-3.2-1.4122	
40-60	60540402900	002	MOUNTING	
40-62	60540402801	002	SILICONE TUBE	
40-64	57630330000	002	COUNTERSUNK SCREW DIN 963-M3X8-A2-70	
40-66	95972940000	000	SCREW SEALING ADHESIVE LOCTITE 243 10ML	
40-70	60540402500	001	SWITCH ROD LONG	
40-80	60510600037	001	SWITCH ROD SHORT	
40-82	40510600008	001	PRESSURE SPRING 0510600008	
40-84	56739030000	001	WASHER DIN 125-A 3,2-A2-70	
40-86	56456300000	002	HEXAGON NUT DIN 934-M3-A2-70	
40-90	60540402300	001	PAPER HOLDER SHORT	
40-92	60540402900	001	MOUNTING	

Bitte unbedingt 11-stellige **Bestell-Nr.** angeben • Please always indicate 11 digit **Order No.** • Absolutement nécessaire d'indiquer **No. de commande** (11 chiffres) • Favorisca specificarci sempre il **N. di ordine** a 11 cifre • Es imprescindible que citen el **No. de pedido** (11 guarismos)

Amendment: 07/2012

Series (code No.) <b>90.077</b>	Spare parts list No. <b>054.98.3.1013</b>	<b>A 400 / A 400 FB</b>	Text page <b>29</b>
------------------------------------	--	-------------------------	------------------------

Number in drawing X	Order number X	Piece X	Designation X	from status onwards X
40-94	60540402801	001	SILICONE TUBE	
40-96	57630330000	001	COUNTERSUNK SCREW DIN 963-M3X8-A2-70	
40-97	95972940000	000	SCREW SEALING ADHESIVE LOCTITE 243 10ML	
40-98	56263090000	002	ROUND-HEAD NAIL DIN 1476-3X8-A2-70	
40-110	60540402600	001	SWITCH ROD SHORT	
41	60541010001	001	CONVEYOR BELT COMPL. REMOVEABLE (1200 MM)	
41-1		001	CONVEYOR BELT ASSEMBLED	
41-1-2	60541000500	001	SIDE PART, RIGHT	
41-1-3	60541000600	001	SIDE PART, LEFT	
41-1-6	60541000700	001	BAR HOLDER	
41-1-7	57459070000	001	TAPPING SCREW ISO 1479-C3.9X25-A2-50	
41-1-10	60531700800	002	FIXING AXLE	
41-1-14	57429160000	018	HEXAGON SCREW DIN 933-M4X16-A2-70	
41-1-15	56739040000	017	WASHER DIN 125-A 4.3-A2-70	
41-1-18	60531703500	002	FLANGE BUSHING 10X12X5	
41-1-22	57630440000	002	COUNTERSUNK SCREW DIN 963-M4X12-A2-70	
41-1-26	60541003000	003	GUIDE RAIL (X; DEVICE-NO. 1537086 - 1623637)	
	60541003001	003	GUIDE RAIL COMPL. FROM 1623638 (Y; FROM DEVICE-NO. 1623638)	
41-1-34	40533700400	001	NETTING RIBBON	
41-1-40	60531701300	002	ROCKING LEVER	
41-1-41	60531701100	002	TIGHTENER	
41-1-42	60531700900	001	PULLEY	
41-1-43	40531701400	001	TENSION SPRING LEFT 0531701400	
41-1-44	40531701500	001	TENSION SPRING RIGHT 0531701500	
41-1-45	60531702900	001	TIGHTENING PIN	
41-1-46	57753800000	002	RETAINING WASHER DIN 6799-8-1.4122	
41-1-47	56806410000	004	OVAL-HEAD SCREW DIN 7985-M4X6-A2-70	
41-1-48	60531703300	002	STUD 6X16	
41-1-51	60541002600	001	DRIVE ROLLER ASSEMBLED	
41-1-51-52	60541000800	001	DRIVE SHAFT	
41-1-51-53	60531700301	002	PLASTIC ROLLER WHEEL	
41-1-51-54	60531700900	001	PULLEY	
41-1-51-55	56359380000	002	GROOVED PIN DIN 1473-4X20-A2	
41-1-62	60531701000	002	PLASTIC BRACKET	
41-1-63	57456150000	004	TAPPING SCREW ISO 7050-BZ 3.9X9.5-A2-70	
41-1-67	60541001000	001	SHAFT B MOUNTED	
41-1-67-1	60531700600	001	SHAFT B	
41-1-67-2	60531700900	003	PULLEY	
41-1-67-3	56739100000	002	WASHER DIN 125-A 10,5-A2-70	
41-1-67-4	57753800000	002	RETAINING WASHER DIN 6799-8-1.4122	
41-1-76	60531702600	002	WASHER 4.5	
41-1-77	57429160000	002	HEXAGON SCREW DIN 933-M4X16-A2-70	
41-1-78	60531700500	007	SHAFT A	
41-1-79	60531700900	001	PULLEY	
41-1-80	60531701200	002	GUIDE ROLLER	

Text page <b>30</b>	<b>A 400 / A 400 FB</b>	Spare parts list No. <b>054.98.3.1013</b>	Series (code No.) <b>90.077</b>
------------------------	-------------------------	--	------------------------------------

Number in drawing X	Order number X	Piece X	Designation X	from status onwards X
41-1-86	60531702301	001	MIRROR	
41-1-87	57429060000	002	HEXAGON SCREW DIN 933-M4X6-A2-70	
41-1-88	56739040000	002	WASHER DIN 125-A 4.3-A2-70	
41-1-94	60531901601	001	PLUG-IN SUPPORT	
41-1-95	46121300020	002	PRESSURE SPRING 6121300020	
41-1-96	56386060000	002	STEEL BALL DIN 5401-6MM-1.4034	
41-1-97	57429200000	002	HEXAGON SCREW DIN 933-M4X20-A2-70	
41-1-99	60533700800	002	COVER PLATE 10	
41-1-105	95972940000	000	SCREW SEALING ADHESIVE LOCTITE 243 10ML	
41-120	60541001600	001	TRAVERSE COMPL.	
41-120-121	60541001700	001	TRAVERSE	
41-120-130	60541002400	002	SHACKLE	
41-120-135	57430120000	004	HEXAGON SCREW DIN 933-M5X12-A2-70	
41-120-136	56765050000	004	WASHER DIN 9021-5,3-A2-70	
41-120-137	57767050000	004	SPR. LOCK WASHER DIN 128-A5-FST	
41-150	57630510000	004	COUNTERSUNK SCREW DIN 963-M5X8-A2-70	
41-151	95972840000	000	SCREW SEALING ADHESIVE LOCTITE 648 10M	
41-160	56359290000	004	GROOVED PIN DIN 1473-3X10-A2	
42	60542020000	001	CONVEYOR BELT REMOVABLE COMPL. (FRA; 550MM LONG)	
42-1		001	CONVEYOR BELT ASSEMBLED	
42-1-1	60542020200	001	SIDE PART, RIGHT	
42-1-3	60542020300	001	SIDE PART, LEFT	
42-1-5	60531703500	002	FLANGE BUSHING 10X12X5	
42-1-7	60542020400	001	DRIVE ROLLER ASSEMBLED	
42-1-7-1	60541000800	001	DRIVE SHAFT	
42-1-7-3	60542020500	002	DRIVER ROLLER	
42-1-7-5	50101740000	003	GEAR WHEEL 8 TEETH SERIES 1100	
42-1-7-7	56359380000	002	GROOVED PIN DIN 1473-4X20-A2	
42-1-9	60531700800	002	FIXING AXLE	
42-1-11	60531700500	003	SHAFT A	
42-1-13	60541020901	001	GUIDE ROLLER	
42-1-15	57630440000	004	COUNTERSUNK SCREW DIN 963-M4X12-A2-70	
42-1-17	60542021000	002	GUIDE ROLLER	
42-1-19	50101740000	001	GEAR WHEEL 8 TEETH SERIES 1100	
42-1-21	60542021100	002	WASHER	
42-1-23	56739040000	006	WASHER DIN 125-A 4.3-A2-70	
42-1-25	57429160000	008	HEXAGON SCREW DIN 933-M4X16-A2-70	
42-1-27	60542020700	001	GUIDE BAR COMPL.	
42-1-28	60542021700	002	GUIDE BAR COMPL.	
42-1-29	50101730000	001	CONVEYOR BELT SERIES 1100	
42-1-31	95972940000	000	SCREW SEALING ADHESIVE LOCTITE 243 10ML	
42-3	60542021200	001	TRAVERSE COMPL.	
42-3-1	60542021300	001	TRAVERSE	
42-3-3	60541002400	002	SHACKLE	
42-3-5	57430120000	004	HEXAGON SCREW DIN 933-M5X12-A2-70	
42-3-7	56765050000	004	WASHER DIN 9021-5,3-A2-70	
42-3-9	57767050000	004	SPR. LOCK WASHER DIN 128-A5-FST	

4

Bitte unbedingt 11-stellige **Bestell-Nr.** angeben • Please always indicate 11 digit **Order No.** • Absolument nécessaire d'indiquer **No. de commande**  
(11 chiffres) • Favorisca specificarci sempre il **N. di ordine** a 11 cifre • Es imprescindible que citen el **No. de pedido** (11 guarismos)

Amendment: 07/2012

Series (code No.) <b>90.077</b>	Spare parts list No. <b>054.98.3.1013</b>	<b>A 400 / A 400 FB</b>	Text page <b>31</b>
------------------------------------	--	-------------------------	------------------------

Number in drawing	Order number	Piece	Designation	from status onwards
42-5	57630510000	004	COUNTERSUNK SCREW DIN 963-M5X8-A2-70	
42-7	95972840000	000	SCREW SEALING ADHESIVE LOCTITE 648 10M	
42-9	56359290000	004	GROOVED PIN DIN 1473-3X10-A2	
42-11	60531702301	001	MIRROR	
42-13	56739040000	002	WASHER DIN 125-A 4.3-A2-70	
42-15	57429120000	002	HEXAGON SCREW DIN 933-M4X12-A-70	
42-17	60531901601	001	PLUG-IN SUPPORT	
42-19	46121300020	002	PRESSURE SPRING 6121300020	
42-21	56386060000	002	STEEL BALL DIN 5401-6MM-1.4034	
42-23	60533700800	002	COVER PLATE 10	
42-25	56806470000	002	OVAL-HEAD SCREW DIN 7985-M4X25-A2-70	
42-27	95972940000	000	SCREW SEALING ADHESIVE LOCTITE 243 10ML	
43	60541002801	001	LIGHT BARRIER ASSEMBLED CB (CABLE LENGTH 1010 MM)	
	60541002901	001	LIGHT BARRIER ASSEMBLED (CABLE LENGTH 850 MM)	
	60542021501	001	LIGHT BARRIER ASSEMBLED (CABLE LENGTH 850 MM; FRA)	
43-3	60542022000	001	INTERMEDIATE LAYER	
43-7	57429250000	002	HEXAGON SCREW DIN 933-M4X25-A2-70	
43-17	71165310000	003	CORE END SLEEVE 0.5 QMM	
43-100	71037890000	001	LIGHT BARR. RK72/2 50103423	
43-101	60562502500	001	LIGHT BARR.HOLDER FOR7103789	
43-102	57429220000	002	HEXAGON SCREW DIN 933-M4X22-A2-70	
43-103	56739040000	001	WASHER DIN 125-A 4.3-A2-70	
43-104	57767040000	001	SPR. LOCK WASHER DIN 128-A4-FST	
43-105	56413040000	002	HEXAGON CAP NUT DIN 917 M4 A2-70	
43-106	95972940000	000	SCREW SEALING ADHESIVE LOCTITE 243 10ML	
43-107	71169020000	001	NYLON-CLIPS 2N	
43-108	71165450000	003	WIRE-END SLEEVE 0.34QMM	
43-110	50003160000	006	DECORATIVE PIN	
44	60541004000	001	CONV. BELT COMPL. AA=256 MM (290 MM, AUT+NDL; SHORT VERSION FOR PACKAGING MACHINES)	
44-4	60543001600	001	TRAVERSE COMPL.	
44-4-121	60543001700	001	TRAVERSE	
44-4-130	60541002400	002	SHACKLE	
44-4-135	57430120000	004	HEXAGON SCREW DIN 933-M5X12-A2-70	
44-4-136	56765050000	004	WASHER DIN 9021-5,3-A2-70	
44-4-137	57767050000	004	SPR. LOCK WASHER DIN 128-A5-FST	
44-20	60541004100	001	CONVEYOR BELT ASSEMBLED	
44-20-2	60543000501	001	SIDE PART, RIGHT	
44-20-4	60543000601	001	SIDE PART, LEFT	
44-20-6	60531703500	002	FLANGE BUSHING 10X12X5	
44-20-14	60531700800	002	FIXING AXLE	
44-20-16	60531700500	001	SHAFT A	
44-20-20	60531700900	001	PULLEY	
44-20-22	60531701200	002	GUIDE ROLLER	

Text page <b>32</b>	<b>A 400 / A 400 FB</b>	Spare parts list No. <b>054.98.3.1013</b>	Series (code No.) <b>90.077</b>
------------------------	-------------------------	--	------------------------------------

Number in drawing X	Order number X	Piece X	Designation X	from status onwards X
44-20-24	57630440000	006	COUNTERSUNK SCREW DIN 963-M4X12-A2-70	
44-20-26	95972940000	000	SCREW SEALING ADHESIVE LOCTITE 243 10ML	
44-20-30	60541004400	003	GUIDE BAR COMPL.	
44-20-34	60541004700	001	NETTING RIBBON	
44-22	57630510000	002	COUNTERSUNK SCREW DIN 963-M5X8-A2-70	
44-24	56765050000	002	WASHER DIN 9021-5,3-A2-70	
44-26	57430100000	002	HEXAGON SCREW DIN 933-M5X10-A2-70	
44-27	57767050000	002	SPR. LOCK WASHER DIN 128-A5-FST	
44-28	95972940000	000	SCREW SEALING ADHESIVE LOCTITE 243 10ML	
45	60543004000	001	CONV. BELT COMPL. AA=256 MM (SHORT VERSION WITH 8 MM NARROW BELTS FOR CONNECTION TO LP/LPI)	
	60543004001	001	CONV. BELT COMPL. AA=256 MM (SHORT VERSION WITH 30 MM WIDE BELTS FOR CONNECTION TO LP/LPI)	
45-4	60543001600	001	TRAVERSE COMPL.	
45-4-121	60543001700	001	TRAVERSE	
45-4-130	60541002400	002	SHACKLE	
45-4-135	57430120000	004	HEXAGON SCREW DIN 933-M5X12-A2-70	
45-4-136	56765050000	004	WASHER DIN 9021-5,3-A2-70	
45-4-137	57767050000	004	SPR. LOCK WASHER DIN 128-A5-FST	
45-20		001	CONVEYOR BELT ASSEMBLED	
45-20-2	60543000501	001	SIDE PART, RIGHT	
45-20-4	60543000601	001	SIDE PART, LEFT	
45-20-6	60531703500	002	FLANGE BUSHING 10X12X5	
45-20-12	60541002600	001	DRIVE ROLLER ASSEMBLED (FOR 8MM BELTS)	
	60543002601	001	DRIVE ROLLER ASSEMBLED (FOR 30MM BELTS)	
45-20-12-52	60541000800	001	DRIVE SHAFT	
45-20-12-53	60543000300	001	PLASTIC ROLLER WHEEL (FOR 8MM BELTS)	
	60543000301	002	PLASTIC ROLLER WHEEL (FOR 30MM BELTS)	
45-20-12-55	56359380000	002	GROOVED PIN DIN 1473-4X20-A2	
45-20-16	60531700500	001	SHAFT A (FOR 8MM BELTS)	
	60543001000	001	SHAFT (FOR 30MM BELTS)	
45-20-21	57773750000	002	RETAINING RING DIN 471-10X1	
45-20-22	60543000900	001	GUIDE ROLLER (FOR 8 MM BELTS)	
	60543000901	002	GUIDE ROLLER (FOR 30 MM BELTS)	

4

Bitte unbedingt 11-stellige **Bestell-Nr.** angeben • Please always indicate 11 digit **Order No.** • Absolutement nécessaire d'indiquer **No. de commande**  
(11 chiffres) • Favorisca specificarci sempre il **N. di ordine** a 11 cifre • Es imprescindible que citen el **No. de pedido** (11 guarismos)

Amendment: 07/2012

Series (code No.) <b>90.077</b>	Spare parts list No. <b>054.98.3.1013</b>	<b>A 400 / A 400 FB</b>	Text page <b>33</b>
------------------------------------	--	-------------------------	------------------------

Number in drawing X	Order number X	Piece X	Designation X	from status onwards X
45-20-23	56360910000	003	GROOVED BALL BEARING DIN 625 W 6000-2RS1	
45-20-24	57630440000	006	COUNTERSUNK SCREW DIN 963-M4X12-A2-70	
45-20-26	95972940000	000	SCREW SEALING ADHESIVE LOCTITE 243 10ML	
45-20-34	50009970000 50009971000	010 006	CONVEYOR BELT 8X1,5 CONVEYOR BELT 30X2,4	
45-20-36	60543007000 60543007001	001 001	CONVEYOR GUIDING UNIT (FOR 8 MM BELTS) CONVEYOR GUIDING UNIT (FOR 30 MM BELTS)	
45-20-37	57429060000 57630440000	004 004	HEXAGON SCREW DIN 933-M4X6-A2-70 (FOR 8 MM BELTS) COUNTERSUNK SCREW DIN 963-M4X12-A2-70 (FOR 30 MM BELTS)	
45-20-38	56739040000	004	WASHER DIN 125-A 4.3-A2-70	
45-20-39	57767040000 56456400000	004 004	SPR. LOCK WASHER DIN 128-A4-FST (FOR 8 MM BELTS) HEXAGON NUT DIN 934-M4-A2-70 (FOR 30 MM BELTS)	
45-20-40	95972940000	000	SCREW SEALING ADHESIVE LOCTITE 243 10ML	
45-22	57630510000	002	COUNTERSUNK SCREW DIN 963-M5X8-A2-70	
45-24	56765050000	002	WASHER DIN 9021-5,3-A2-70	
45-26	57430120000	002	HEXAGON SCREW DIN 933-M5X12-A2-70	
45-27	57767050000	002	SPR. LOCK WASHER DIN 128-A5-FST	
45-28	95972940000	000	SCREW SEALING ADHESIVE LOCTITE 243 10ML	
46	60541020000	001	CB. REMOVABLE CPL. 3 PORT (775 MM)	
46-1		001	CONVEYOR BELT MOUNT. 3 PORT.	
46-1-2	60541020500	001	SIDE PART RI.	
46-1-3	60541020600	001	SIDE PART LE.	
46-1-10	60531700800	002	FIXING AXLE	
46-1-14	57429160000	009	HEXAGON SCREW DIN 933-M4X16-A2-70	
46-1-15	56739040000	006	WASHER DIN 125-A 4.3-A2-70	
46-1-18	60531703500	002	FLANGE BUSHING 10X12X5	
46-1-22	57630440000	002	COUNTERSUNK SCREW DIN 963-M4X12-A2-70	
46-1-26	60541020700	003	GUID. BAR CPL.	
46-1-34	60541021000	001	NETTING RIBBON 3 PORT	
46-1-45	60541020901	001	GUIDE ROLLER	
46-1-63	56972510000	002	MUSHROOM HEAD SCREW M4X12-A2-70	
46-1-76	60531702600	002	WASHER 4.5	
46-1-78	60531700500	004	SHAFT A	
46-1-79	60531700900	001	PULLEY	
46-1-80	60531701200	002	GUIDE ROLLER	
46-1-86	60531702301	001	MIRROR	
46-1-87	57429060000	001	HEXAGON SCREW DIN 933-M4X6-A2-70	
46-1-88	56739040000	002	WASHER DIN 125-A 4.3-A2-70	

Text page <b>34</b>	<b>A 400 / A 400 FB</b>	Spare parts list No. <b>054.98.3.1013</b>	Series (code No.) <b>90.077</b>
------------------------	-------------------------	--	------------------------------------

Number in drawing X	Order number X	Piece X	Designation X	from status onwards X
46-1-94	60531901601	001	PLUG-IN SUPPORT	
46-1-95	46121300020	002	PRESSURE SPRING 6121300020	
46-1-96	56386060000	002	STEEL BALL DIN 5401-6MM-1.4034	
46-1-97	57429200000	001	HEXAGON SCREW DIN 933-M4X20-A2-70	
46-1-98	57429300000	001	HEXAGON SCREW DIN 933-M4X30-A2-70	
46-1-99	60533700800	002	COVER PLATE 10	
46-1-105	95972940000	000	SCREW SEALING ADHESIVE LOCTITE 243 10ML	
47	60541050000	001	CONVEYOR COMPL. MULTIVAC (MULTIVAC, UP TO DEVICE-NO. 10822594)	
47-10	60541051600	001	TRAVERSE COMPLETE	
47-10-10	60541051700	001	WELDED TRAVERSE	
47-10-20	60541002400	002	SHACKLE	
47-10-30	57430120000	004	HEXAGON SCREW DIN 933-M5X12-A2-70	
47-10-40	56765050000	004	WASHER DIN 9021-5,3-A2-70	
47-10-50	57767050000	004	SPR. LOCK WASHER DIN 128-A5-FST	
47-20	60541052800	001	FIXING SHAFT	
47-21	56972510000	002	MUSHROOM HEAD SCREW M4X12-A2-70	
47-22	60541053500	001	STEEL STRIPE GUIDE LEFT	
47-23	56739060000	002	WASHER DIN 125-A 6,4-A2-70	
47-24	38020950000	002	MUSHROOM HEAD SCREW M6X25-A2-70	
47-25	60541053400	002	SWIVEL BEARING	
47-27	56400860000	002	LOCKNUT DIN 985-M6-A2-70	
47-32	60541053600	001	STEEL STRIPE GUIDE RIGHT	
47-36	56739060000	002	WASHER DIN 125-A 6,4-A2-70	
47-38	57431160000	002	HEXAGON SCREW DIN 933-M6X16-A2-70	
47-39	57753800000	004	RETAINING WASHER DIN 6799-8-1.4122	
47-40	60531700500	001	SHAFT A	
47-41	56739060000	002	WASHER DIN 125-A 6,4-A2-70	
47-42	95972940000	000	SCREW SEALING ADHESIVE LOCTITE 243 10ML	
47-45	56972510000	002	MUSHROOM HEAD SCREW M4X12-A2-70	
47-50	60541054500	001	SHAFT	
47-60	60541000800	001	DRIVE SHAFT	
47-70	56359380000	002	GROOVED PIN DIN 1473-4X20-A2	
47-85	60531703500	002	FLANGE BUSHING 10X12X5	
47-90	60541052900	002	DRIVE ROLLER	
47-100	60531700500	001	SHAFT A	
47-105	60541054800	002	DEFLECTION PULLEY	
47-106	56972510000	002	MUSHROOM HEAD SCREW M4X12-A2-70	
47-110	60541055000	002	DOWEL BUSH	
47-115	56739060000	002	WASHER DIN 125-A 6,4-A2-70	
47-116	57767060000	002	SPR. LOCK WASHER DIN 128-A6-FST	
47-120	57431200000	002	HEXAGON SCREW DIN 933-M6X20-A2-70	
47-130	60541054100	002	ADJUSTIN HANDLE	
47-140	60541053200	002	SHAFT	
47-145	60541053300	002	DEFLECTION PULLEY FRONT	
47-150	56972510000	004	MUSHROOM HEAD SCREW M4X12-A2-70	
47-180	60541054300	002	POINT BLOCK	
47-185	56972510000	004	MUSHROOM HEAD SCREW M4X12-A2-70	
47-190	57431420000	002	HEXAGON SCREW DIN 933-M6X45-A2-70	
47-195	60223400500	002	CAP	

4

Bitte unbedingt 11-stellige **Bestell-Nr.** angeben • Please always indicate 11 digit **Order No.** • Absolument nécessaire d'indiquer **No. de commande**  
(11 chiffres) • Favorisca specificarci sempre il **N. di ordine** a 11 cifre • Es imprescindible que citen el **No. de pedido** (11 guarismos)

Amendment: 07/2012

Series (code No.) <b>90.077</b>	Spare parts list No. <b>054.98.3.1013</b>	<b>A 400 / A 400 FB</b>	Text page <b>35</b>
------------------------------------	--	-------------------------	------------------------

Number in drawing X	Order number X	Piece X	Designation X	from status onwards X
47-200	60541053100	002	WAVE	
47-205	60541053000	002	BELT PULLEY	
47-210	60531701300	004	ROCKING LEVER	
47-215	57750800000	004	RETAINING WASHER DIN 6799 8	
47-220	60541053200	002	SHAFT	
47-221	40531701400	002	TENSION SPRING LEFT 0531701400	
47-222	40531701500	002	TENSION SPRING RIGHT 0531701500	
47-223	56972490000	004	MUSHROOM HEAD SCREW M4X8-A2-70	
47-224	56739040000	004	WASHER DIN 125-A 4.3-A2-70	
47-225	56456400000	004	HEXAGON NUT DIN 934-M4-A2-70	
47-226	95972940000	000	LOCTITE 243 50 ML	
47-227	56972510000	004	MUSHROOM HEAD SCREW M4X12-A2-70	
47-230	56806410000	004	OVAL-HEAD SCREW DIN 7985-M4X6-A2-70	
47-315	60531901601	001	PLUG-IN SUPPORT	
47-320	46121300020	002	PRESSURE SPRING 6121300020	
47-325	<a href="#">56386060000</a>	002	STEEL BALL DIN 5401-6MM-1.4034	
47-330	56765040000	002	WASHER DIN 9021-4,3-A2-70	
47-331	57767040000	002	SPR. LOCK WASHER DIN 128-A4-FST	
47-332	38025419000	002	COMPRESSION SPRING VD-219	
47-335	57429250000	002	HEXAGON SCREW DIN 933-M4X25-A2-70	
47-336	56400890000	002	LOCKNUT DIN 985-M4-A2-70	
47-340	60541052700	002	NETTING RIBBON	
47-350	60541054600	004	GUID. BAR CPL.	
47-360	57630440000	012	COUNTERSUNK SCREW DIN 963-M4X12-A2-70	
47-370	56765040000	012	WASHER DIN 9021-4,3-A2-70	
47-380	56400890000	012	LOCKNUT DIN 985-M4-A2-70	
47-390	56359290000	004	GROOVED PIN DIN 1473-3X10-A2	
48	60541050001	001	CONVEYOR COMPL. MU 2X115MM (MULTIVAC, FROM DEVICE-NO. 10822595)	
48-10	60541051601	001	TRAVERSE COMPLETE	
48-10-10	60541051701	001	WELDED TRAVERSE	
48-10-20	60541002400	002	SHACKLE	
48-10-30	57430120000	004	HEXAGON SCREW DIN 933-M5X12-A2-70	
48-10-40	56765050000	004	WASHER DIN 9021-5,3-A2-70	
48-10-50	57767050000	004	SPR. LOCK WASHER DIN 128-A5-FST	
48-20	60541052800	001	FIXING SHAFT	
48-30	56972670000	002	MUSHROOM HEAD SCREW M5X16-A2-70	
48-40	60541053501	002	STEEL STRIPE GUIDE	
48-50	56739060000	002	WASHER DIN 125-A 6,4-A2-70	
48-60	38020950000	002	MUSHROOM HEAD SCREW M6X25-A2-70	
48-70	60541053401	002	SWIVEL BEARING	
48-80	56400860000	002	LOCKNUT DIN 985-M6-A2-70	
48-140	60531700500	001	SHAFT A	

Text page <b>36</b>	<b>A 400 / A 400 FB</b>	Spare parts list No. <b>054.98.3.1013</b>	Series (code No.) <b>90.077</b>
------------------------	-------------------------	--	------------------------------------

Number in drawing X	Order number X	Piece X	Designation X	from status onwards X
48-150	56972510000	002	MUSHROOM HEAD SCREW M4X12-A2-70	
48-154	60531700500	001	SHAFT A	
48-155	60541054800	002	DEFLECTION PULLEY	
48-156	56972510000	002	MUSHROOM HEAD SCREW M4X12-A2-70	
48-160	60541054500	001	SHAFT	
48-170	56972790000	002	MUSHROOM HEAD SCREW M6X16-A2-70	
48-180	57750800000	004	RETAINING WASHER DIN 6799 8	
48-190	60541000800	001	DRIVE SHAFT	
48-200	60531703500	002	FLANGE BUSHING 10X12X5	
48-210	60541052900	002	DRIVE ROLLER	
48-220	56359340000	002	GROOVED PIN DIN 1473-3X20-A2	
48-230	60541053200	002	SHAFT	
48-240	60541053300	002	DEFLECTION PULLEY FRONT	
48-250	56972510000	004	MUSHROOM HEAD SCREW M4X12-A2-70	
48-260	60531901601	001	PLUG-IN SUPPORT	
48-270	46121300020	002	PRESSURE SPRING 6121300020	
48-280	56386060000	002	STEEL BALL DIN 5401-6MM-1.4034	
48-290	60533700800	002	COVER PLATE 10	
48-300	57429220000	002	HEXAGON SCREW DIN 933-M4X22-A2-70	
48-310	56400890000	002	LOCKNUT DIN 985-M4-A2-70	
48-320	60541055500	001	AXIS	
48-325	60541056100	002	SET SCREW	
48-330	60541055400	002	EYE SCREW	
48-340	56359380000	002	GROOVED PIN DIN 1473-4X20-A2	
48-350	38025419000	002	COMPRESSION SPRING VD-219	
48-360	60541055900	002	CORRECTING BOLT	
48-370	56739030000	002	WASHER DIN 125-A 3,2-A2-70	
48-380	57697070000	002	CHEESE-HEAD SCREW DIN 84-M3X8-A2-70	
48-390	60541056000	004	HANDEL BOLT	
48-400	60350402001	002	PROTECTIVE PLUG 16.2 KNURLED	
48-410	60541055701	002	MOUNT	
48-420	56739100000	004	WASHER DIN 125-A 10,5-A2-70	
48-430	56400900000	004	LOCKNUT DIN 985-M10-A2-70	
48-440	60541055800	002	CORRECTING BOLT	
48-450	57752150000	002	RETAINING WASHER DIN 6799 15	
48-460	60541056000	004	HANDEL BOLT	
48-470	60350402001	002	PROTECTIVE PLUG 16.2 KNURLED	
48-500	60541054600	004	GUID. BAR CPL.	
48-510	57630440000	012	COUNTERSUNK SCREW DIN 963-M4X12-A2-70	
48-520	56739040000	012	WASHER DIN 125-A 4.3-A2-70	
48-530	56400890000	012	LOCKNUT DIN 985-M4-A2-70	
48-540	60541052700	002	NETTING RIBBON	
48-600	56359290000	004	GROOVED PIN DIN 1473-3X10-A2	
49	60541012900	001	LIGHT BUTTON MOUNT. (MULTIVAC)	
49-10	60546200102	001	LIGHT PUSH BUTTON A400 MULTIVAC	
49-20	60542512500	001	LIGHT BARRIER HOLDER	
49-30	56739030000	004	WASHER DIN 125-A 3,2-A2-70	
49-40	57340210000	002	HEXAGON SCREW DIN 933-M3X20-A2-70	
49-50	56456300000	002	HEXAGON NUT DIN 934-M3-A2-70	

4

Bitte unbedingt 11-stellige **Bestell-Nr.** angeben • Please always indicate 11 digit **Order No.** • Absolutement nécessaire d'indiquer **No. de commande**  
(11 chiffres) • Favorisca specificarci sempre il **N. di ordine** a 11 cifre • Es imprescindible que citen el **No. de pedido** (11 guarismos)

Amendment: 07/2012

Series (code No.) <b>90.077</b>	Spare parts list No. <b>054.98.3.1013</b>	<b>A 400 / A 400 FB</b>	Text page <b>37</b>
------------------------------------	--	-------------------------	------------------------

Number in drawing X	Order number X	Piece X	Designation X	from status onwards X
50	60540520003	001	CHAIN FRAME A400 COMPL.	
50-1	60830501001	001	CHAIN FRAME PRE-ASSEMBL. WITH BRACKETT	
50-1-1	60540501100	001	BAR AT THE BOTTOM	
50-1-2	60540501202	001	BAR AT THE TOP (UP TO DEVICE-NO. 1937283)	
	60830501201	001	BAR AT THE TOP (FROM DEVICE-NO. 1937284)	
50-1-3	56384940000	001	GROOVED BALL BEARING DIN 625 SS607-2Z (UP TO DEVICE-NO. 1937283)	
	56384930000	001	GROOVED BALL BEARING DIN 625 627-2Z (FROM DEVICE-NO. 1937284)	
50-1-4	56362180000	001	GROOVED BALL BEARING DIN 625 S608-GPRJ	
50-1-5	95972940000	000	SCREW SEALING ADHESIVE LOCTITE 243 10ML	
50-1-6	60540504101	001	TAPPET	
50-1-7	60540501300	001	STOP	
50-1-8	57429160000	001	HEXAGON SCREW DIN 933-M4X16-A2-70	
50-1-9	56739040000	001	WASHER DIN 125-A 4.3-A2-70	
50-1-10	60540501400	001	SLIDER MOUNTING, PREASSEMBLED	
50-1-10-11	60540501500	001	SLIDER MOUNTING	
50-1-10-12	56359270000	002	GROOVED PIN DIN 1473-3X6-A2	
50-1-10-13	60540501600	001	COVER PLATE	
50-1-10-14	60240503100	003	HEXAGON SCREW DIN 933 M4X10-A2-70	
50-1-10-15	57767040000	003	SPR. LOCK WASHER DIN 128-A4-FST	
50-1-12	60800108400	001	BRACKET HANDLE 100XM5	
50-1-14	57430160000	002	HEXAGON SCREW DIN 933-M5X16-A2	
50-1-15	56739050000	002	WASHER DIN 125-A 5,3 -A2-70	
50-1-17	56972530000	001	MUSHROOM HEAD SCREW M4X16-A2-70	
50-1-18	95972940000	000	SCREW SEALING ADHESIVE LOCTITE 243 10ML	
50-1-20	57429160000	001	HEXAGON SCREW DIN 933-M4X16-A2-70	
50-1-21	56739040000	001	WASHER DIN 125-A 4.3-A2-70	
50-1-22	60540501700	001	GUARD COMPL. (UP TO DEVICE-NO. 1937283)	
	60830501700	001	GUARD COMPL. (FROM DEVICE-NO. 1937284)	
50-1-25	95972810000	000	ROCCASOL 220 SI/310 ML	
50-1-26	60540502000	001	PLASTIC ROLLER WHEEL CPL.	
50-1-26-27	60540502100	001	PLASTIC ROLLER WHEEL, PREASSEMBLED	
50-1-26-30	60242200501	001	GEAR WHEEL FOR DRIVE ROLLER	
50-1-31	60540504600	001	COVER PLATE	
50-1-33	60610300019	001	THRUST WASHER	
50-1-35	60540504200	006	SLIDER PLATE WITH GUIDE ROLLER	
50-1-35-38	60540502700	001	GUIDE ROLLER PRE-ASSEMBL.	
50-1-35-44	60540504400	001	FASTENING SPRING	

Text page <b>38</b>	<b>A 400 / A 400 FB</b>	Spare parts list No. <b>054.98.3.1013</b>	Series (code No.) <b>90.077</b>
------------------------	-------------------------	--	------------------------------------

Number in drawing X	Order number X	Piece X	Designation X	from status onwards X
50-1-50 (V)	60540503200	006	SINGLE BELT CHAIN A400	
50-1-51	60540503300	001	DISTANCE PIN	
50-1-52	60540503400	001	BEARING BUSHING	
50-1-53	60540503802	001	LEG SPRING	
50-1-54	60540507000	001	BRACKET COMPL.	
50-1-55	60220005600	001	HEXAGON SCREW OVAL-HEAD M 6X25	
50-1-56	60610000017	001	WASHER 6	
50-1-57	95972940000	000	SCREW SEALING ADHESIVE LOCTITE 243 10ML	
50-1-60	60540503600	001	PLASTIC ROLLER COMPL.	
50-1-60-62	60242200901	001	GEAR WHEEL	
50-1-65	60242201000	002	TRUNNION	
50-1-66	00112000037	002	WASHER (1 MM)	
50-1-67	00112000036	001	WASHER (0.18 MM)	
50-1-68	00112000030	001	WASHER (0.5 MM)	
50-1-69	60240503100	002	HEXAGON SCREW DIN 933 M4X10-A2-70	
50-1-70	95972940000	000	SCREW SEALING ADHESIVE LOCTITE 243 10ML	
50-1-75	60540504000	001	SLEEVE	
50-1-76	56739060000	001	WASHER DIN 125-A 6,4-A2-70	
50-1-77	60220005600	001	HEXAGON SCREW OVAL-HEAD M 6X25	
50-1-78	95972940000	000	SCREW SEALING ADHESIVE LOCTITE 243 10ML	
50-1-80	56359360000	001	GROOVED PIN DIN 1473-4X10-A2	
50-1-81	60240501801	001	DRIVER	
50-1-82	60240503100	001	HEXAGON SCREW DIN 933 M4X10-A2-70	
50-1-83	56739040000	001	WASHER DIN 125-A 4.3-A2-70	
50-1-84	95972940000	000	SCREW SEALING ADHESIVE LOCTITE 243 10ML	
50-1-85	60540503900	001	GUIDE CAM	
50-1-91	60260500300	001	CAM SLEEVE (UP TO DEVICE-NO. 2191702)	
	60820500300	001	CAM SLEEVE (FROM DEVICE-NO. 2191703)	
50-1-92	56070490000	001	SETSCREW DIN 926-M4X6X2-A2-70	
50-1-93	95972940000	000	SCREW SEALING ADHESIVE LOCTITE 243 10ML	
50-2	60540500300	001	FIXATION PRE-ASSEMBLED	
50-2-1	60540500203	001	FIXIERUNG	
50-2-3	56187660000	001	PARALLEL PIN DIN 7-3M6X12-A2	
50-3	57630440000	001	COUNTERSUNK SCREW DIN 963-M4X12-A2-70	
50-4	95972940000	000	SCREW SEALING ADHESIVE LOCTITE 243 10ML	
50-6	60540500400	001	DRIVER	
50-7	56456400000	001	HEXAGON NUT DIN 934-M4-A2-70	
50-8	60240503100	001	HEXAGON SCREW DIN 933 M4X10-A2-70	
50-9	56765040000	001	WASHER DIN 9021-4,3-A2-70	
50-10	95972940000	000	SCREW SEALING ADHESIVE LOCTITE 243 10ML	
51	60540505000	001	SHAVING DEFLECTOR	
51-10	60540505100	001	CAM PREASSEMBLED	
51-11	56359320000	002	GROOVED PIN DIN 1473-3X16-A2	
51-12	60540505600	002	SUPPORT	
51-30	60540505700	001	CLAMPING PLATE COMPL.	
51-40	60540506000	001	THREE-SQUARE HANDLE PREASSEMBLED	
51-50	56765060000	001	WASHER DIN 9021-6,4-A2-70	

4

Bitte unbedingt 11-stellige **Bestell-Nr.** angeben • Please always indicate 11 digit **Order No.** • Absolutement nécessaire d'indiquer **No. de commande**  
(11 chiffres) • Favorisca specificarci sempre il **N. di ordine** a 11 cifre • Es imprescindible que citen el **No. de pedido** (11 guarismos)

Amendment: 07/2012

Series (code No.) <b>90.077</b>	Spare parts list No. <b>054.98.3.1013</b>	<b>A 400 / A 400 FB</b>	Text page <b>39</b>
------------------------------------	--	-------------------------	------------------------

Number in drawing X	Order number X	Piece X	Designation X	from status onwards X
51-60	50275110000	001	PRESSURE SPRING VD-124	
51-70	56400860000	001	LOCKNUT DIN 985-M6-A2-70	
52	60541060000	001	CONVEYOR COMPL. MU 3X70MM (MULTIVAC, FROM DEVICE-NO. 10822595)	
52-10	60541051601	001	TRAVERSE COMPLETE	
52-10-10	60541051701	001	WELDED TRAVERSE	
52-10-20	60541002400	002	SHACKLE	
52-10-30	57430120000	004	HEXAGON SCREW DIN 933-M5X12-A2-70	
52-10-40	56765050000	004	WASHER DIN 9021-5,3-A2-70	
52-10-50	57767050000	004	SPR. LOCK WASHER DIN 128-A5-FST	
52-20	60531703500	002	FLANGE BUSHING 10X12X5	
52-30	60541000800	001	DRIVE SHAFT	
52-40	60541062901	002	DRIVE ROLLER	
52-50	56359380000	002	GROOVED PIN DIN 1473-4X20-A2	
52-60	60541062800	001	FIXING SHAFT	
52-70	56972510000	002	MUSHROOM HEAD SCREW M4X12-A2-70	
52-75	95972940000	001	SCREW SEALING ADHESIVE LOCTITE 243 10ML	
52-80	60531700500	001	SHAFT A	
52-90	56972510000	002	MUSHROOM HEAD SCREW M4X12-A2-70	
52-100	60541055600	001	AXIS	
52-110	60541053401	003	SWIVEL BEARING	
52-120	57753800000	006	RETAINING WASHER DIN 6799-8-1.4122	
52-130	60541057500	003	STEEL STRIPE GUIDE	
52-135	57753800000	002	RETAINING WASHER DIN 6799-8-1.4122	
52-140	38020950000	003	MUSHROOM HEAD SCREW M6X25-A2-70	
52-150	56739060000	003	WASHER DIN 125-A 6,4-A2-70	
52-160	56400860000	003	LOCKNUT DIN 985-M6-A2-70	
52-170	56972670000	002	MUSHROOM HEAD SCREW M5X16-A2-70	
52-180	60531700500	001	SHAFT A	
52-190	60541054800	002	DEFLECTION PULLEY	
52-200	56972510000	002	MUSHROOM HEAD SCREW M4X12-A2-70	
52-210	60541055701	002	MOUNT	
52-215	94008900059	001	GREASE PARALIQ GA343 H1 25ML	
52-230	56400900000	004	LOCKNUT DIN 985-M10-A2-70	
52-231	60541055800	002	CORRECTING BOLT	
52-234	60541056000	004	HANDEL BOLT	
52-236	56972670000	002	MUSHROOM HEAD SCREW M5X16-A2-70	
52-238	<a href="#">60350402001</a>	002	PROTECTIVE PLUG 16.2 KNURLED	
52-240	57773770000	002	RETAINING RING DIN 471-A 15X1	
52-260	60541055500	001	AXIS	
52-265	60541056100	002	SET SCREW	
52-270	57753800000	004	RETAINING WASHER DIN 6799-8-1.4122	
52-280	60541055400	002	EYE SCREW	
52-290	56359340000	002	GROOVED PIN DIN 1473-3X20-A2	
52-300	38025419000	002	COMPRESSION SPRING VD-219	
52-305	56739100000	002	WASHER DIN 125-A 10,5-A2-70	
52-310	60541055900	002	CORRECTING BOLT	
52-311	60541055300	002	DISC	
52-320	56739030000	002	WASHER DIN 125-A 3,2-A2-70	
52-330	57697070000	002	CHEESE-HEAD SCREW DIN 84-M3X8-A2-70	
52-340	60541056000	004	HANDEL BOLT	
52-350	<a href="#">60350402001</a>	002	PROTECTIVE PLUG 16.2 KNURLED	
52-352	60541063200	003	SHAFT	

Text page <b>40</b>	<b>A 400 / A 400 FB</b>	Spare parts list No. <b>054.98.3.1013</b>	Series (code No.) <b>90.077</b>
------------------------	-------------------------	--	------------------------------------

Number in drawing X	Order number X	Piece X	Designation X	from status onwards X
52-354	60541063300	003	DEFLECTION PULLEY FRONT	
52-356	56972510000	006	MUSHROOM HEAD SCREW M4X12-A2-70	
52-360	60541054600	006	GUID. BAR CPL.	
52-380	57630440000	018	COUNTERSUNK SCREW DIN 963-M4X12-A2-70	
52-390	56739040000	018	WASHER DIN 125-A 4.3-A2-70	
52-400	56400890000	018	LOCKNUT DIN 985-M4-A2-70	
52-450	60531901601	001	PLUG-IN SUPPORT	
52-455	60541063400	001	PLUG-IN SUPPORT	
52-460	46121300020	002	PRESSURE SPRING 6121300020	
52-470	56386060000	002	STEEL BALL DIN 5401-6MM-1.4034	
52-480	60533700800	002	COVER PLATE 10	
52-490	57429350000	002	HEXAGON SCREW DIN 933-M4X35-A2-70	
52-500	56400890000	002	LOCKNUT DIN 985-M4-A2-70	
52-520	60541062700	003	NETTING RIBBON	
52-600	56359290000	004	GROOVED PIN DIN 1473-3X10-A2	
53	60541070000	001	CONVEYOR COMPL. MU 2X70MM (MULTIVAC, FROM DEVICE-NO. 10822595)	
53-10	60541071600	001	TRAVERSE COMPLETE	
53-10-10	60541071700	001	WELDED TRAVERSE	
53-10-20	60541002400	002	SHACKLE	
53-10-30	57430120000	004	HEXAGON SCREW DIN 933-M5X12-A2-70	
53-10-40	56765050000	004	WASHER DIN 9021-5,3-A2-70	
53-10-50	57767050000	004	SPR. LOCK WASHER DIN 128-A5-FST	
53-20	60541072800	001	FIXING SHAFT	
53-30	56972510000	002	MUSHROOM HEAD SCREW M4X12-A2-70	
53-40	60541057500	002	STEEL STRIPE GUIDE	
53-50	60541053401	002	SWIVEL BEARING	
53-60	38020950000	002	MUSHROOM HEAD SCREW M6X25-A2-70	
53-70	56739060000	002	WASHER DIN 125-A 6,4-A2-70	
53-80	56400860000	002	LOCKNUT DIN 985-M6-A2-70	
53-140	60531700500	001	SHAFT A	
53-150	56972510000	002	MUSHROOM HEAD SCREW M4X12-A2-70	
53-154	60531700500	001	SHAFT A	
53-155	60541054800	002	DEFLECTION PULLEY	
53-156	56972510000	002	MUSHROOM HEAD SCREW M4X12-A2-70	
53-160	60541074500	001	SHAFT	
53-170	56972670000	002	MUSHROOM HEAD SCREW M5X16-A2-70	
53-180	57753800000	004	RETAINING WASHER DIN 6799-8-1.4122	
53-190	60541000800	001	DRIVE SHAFT	
53-200	60531703500	002	FLANGE BUSHING 10X12X5	
53-210	60541072900	002	DRIVE ROLLER	
53-220	56359380000	002	GROOVED PIN DIN 1473-4X20-A2	
53-230	60541063200	002	SHAFT	
53-240	60541063300	002	DEFLECTION PULLEY FRONT	
53-250	56972510000	004	MUSHROOM HEAD SCREW M4X12-A2-70	
53-255	60541063400	001	PLUG-IN SUPPORT	
53-260	60531901601	001	PLUG-IN SUPPORT	
53-270	46121300020	002	PRESSURE SPRING 6121300020	
53-280	56386060000	002	STEEL BALL DIN 5401-6MM-1.4034	
53-290	60533700800	002	COVER PLATE 10	
53-300	57429350000	002	HEXAGON SCREW DIN 933-M4X35-A2-70	
53-310	56400890000	002	LOCKNUT DIN 985-M4-A2-70	
53-320	60541075500	001	AXIS	
53-325	60541056100	002	SET SCREW	

4

Bitte unbedingt 11-stellige **Bestell-Nr.** angeben • Please always indicate 11 digit **Order No.** • Absolument nécessaire d'indiquer **No. de commande** (11 chiffres) • Favorisca specificarci sempre il **N. di ordine** a 11 cifre • Es imprescindible que citen el **No. de pedido** (11 guarismos)

Amendment: 07/2012

Series (code No.) <b>90.077</b>	Spare parts list No. <b>054.98.3.1013</b>	<b>A 400 / A 400 FB</b>	Text page <b>41</b>
------------------------------------	--	-------------------------	------------------------

Number in drawing X	Order number X	Piece X	Designation X	from status onwards X
53-330	60541055400	002	EYE SCREW	
53-334	94008900059	001	GREASE PARALIQ GA343 H1 25ML	
53-340	56359340000	002	GROOVED PIN DIN 1473-3X20-A2	
53-350	38025419000	002	COMPRESSION SPRING VD-219	
53-351	56739100000	002	WASHER DIN 125-A 10,5-A2-70	
53-360	60541055900	002	CORRECTING BOLT	
53-361	60541055300	002	DISC	
53-370	56739030000	002	WASHER DIN 125-A 3,2-A2-70	
53-380	57697070000	002	CHEESE-HEAD SCREW DIN 84-M3X8-A2-70	
53-390	60541056000	004	HANDEL BOLT	
53-400	<a href="#">60350402001</a>	002	PROTECTIVE PLUG 16.2 KNURLED	
53-410	60541075700	002	MOUNT	
53-430	56400900000	004	LOCKNUT DIN 985-M10-A2-70	
53-440	60541055800	002	CORRECTING BOLT	
53-445	57773770000	002	RETAINING RING DIN 471-A 15X1	
53-450	57752150000	002	RETAINING WASHER DIN 6799 15	
53-460	60541056000	004	HANDEL BOLT	
53-470	<a href="#">60350402001</a>	002	PROTECTIVE PLUG 16.2 KNURLED	
53-500	60541054600	004	GUID. BAR CPL.	
53-510	57630440000	012	COUNTERSUNK SCREW DIN 963-M4X12-A2-70	
53-520	56739040000	012	WASHER DIN 125-A 4.3-A2-70	
53-530	56400890000	012	LOCKNUT DIN 985-M4-A2-70	
53-540	60541062700	002	NETTING RIBBON	
53-550	60541072200	001	COVER PLATE RIGHT	
53-560	60540277600	003	SELF-TAPPING SCREW M 4X6	
53-570	60541072300	001	COVER PLATE LEFT	
53-580	60540277600	003	SELF-TAPPING SCREW M 4X6	
53-600	56359290000	004	GROOVED PIN DIN 1473-3X10-A2	
60		001	CABLES + STRANDS	
60-2	60546100100	001	CABLE BLADE MOTOR A400	
60-4	60546100200	001	CABLE BACKPLANE K1 A400 (A)	
	60546107000	001	A400 CABLE RVDR-K1(VP63) (B)	
60-6	60546101500	001	CABLE BACKPLANE/SAFETY LIMIT SWITCH A400	
60-8	60546101900	001	CABLE BACKPLANE -> SLICE THICKNESS A400	
60-12	60546102800	001	CABLE TRANSDUCER RE30 A400	
60-14	60546102900	001	STRAND G1-F2 A400	
60-16	60546103000	001	STRAND RESISTOR G1 A400	
60-18	60546103100	001	STRAND G1 - BACKPLANE A400	
60-20	60546103200	001	STRAND RESISTOR BACKPLANE A400	
60-22	60546103300	001	CABLE KL1-K1 TRANSDUCER A400	
60-24	60546103601	001	CABLE BACKPLANE - TRANSDUCER A400	
60-26	60546103700	001	CABLE POWER PACK MODULE - FILTER A400	
60-28	60546103800	001	STRAND FILTER - F1 A400	
60-32	60266100600	001	STRAND POWER PACK MODULE VS8	
60-50	60546107100	001	A400 SWITCH-ON JUMPER (VP63)	
60-52	60546107200	002	A400 CABLE PROT.- VP63	
60-54	60546107300	007	STRAND AWG 16BK	
61	60546101600	001	CABLE DISTRIB. CONVEYOR BELT/BACKPL. A40	
69	40531903300	001	PROTECTIVE HOOD	

Text page <b>42</b>	<b>A 400 / A 400 FB</b>	Spare parts list No. <b>054.98.3.1013</b>	Series (code No.) <b>90.077</b>
------------------------	-------------------------	--	------------------------------------

Number in drawing X	Order number X	Piece X	Designation X	from status onwards X
70		001	DISPLAY TABLEAU COMPL. MOTOR-MOUNTED (A)	
		001	DISPLAY TABLEAU COMPL. TABLE BOTTOM (B)	
70-2	60549402600	001	FRONT PLATE, COMPL. TI-SERV. (VERSION TABLE)	
	60549402700	001	FRONT PLATE, COMPL. (VERSION CONVEYOR BELT)	
70-5	60540750400	000	SILICON TUBE 2X0,5MM	
70-6	95972710002	000	SICOMET 50 50G	
70-7	60545100106	001	LPB CPU DISPLAY A400	
70-7-402	71001560000	001	EEPROM 2048X8BIT X24C16	
70-8	60545101101	001	DISPLAY CPL. A400 (FROM DEVICE-NO. 1332927)	
70-10	60546101801	001	CA. RVDR. CPU/DISPL. A 400	
70-12	60540700202	001	HOUSING	
70-13	57465120000	004	PLASTIC SCREW WN1452-M4X25-T20-10.9	
70-14	56808560000	002	SELF-TAPP.SCREW DIN 7500-CM5X30-ST	
70-15	<b>60350402001</b>	004	PROTECTIVE PLUG 16.2 KNURLED	
70-25	60540701201	001	SOCKET PLATE (A; DISPLAY TABLEAU TOP)	
	60540702200	001	MOTOR COVER (B; DISPLAY TABLEAU BOTTOM)	
70-26	29286030000	000	SILICONE TUBE NW2,5X0,5 WALL	
70-27	57767040000	002	SPR. LOCK WASHER DIN 128-A4-FST	
70-28	56805750000	002	OVAL-HEAD SCREW DIN 7985-M4X12-T20-5.8	
70-29	40220000201	002	PROTECTIVE PLUG 12.2 KNURLED	
70-30	60540701300	001	COLUMN	
70-31	56808560000	002	SELF-TAPP.SCREW DIN 7500-CM5X30-ST	
70-32	71067230000	004	SPACER 12.7 LPR 8522 N	
70-33	56455430000	004	HEXAGON NUT DIN 934 M4-PA66	
70-40	60540702000	001	COLUMN	
70-42	57767060000	002	SPR. LOCK WASHER DIN 128-A6-FST	
70-44	57736120000	002	SOCKET HEAD SCREW DIN 912-M6X12-8.8	
70-46	40220000201	002	PROTECTIVE PLUG 12.2 KNURLED	
70-48	60540701801	001	COLUMN FLANGE	
70-54	60546105601	001	CABLE DISPLAY EXTENSION PLUG A 400	
	60546105900	001	CABLE DISPLAY EXTENSION PLUG-VP63 A 400	
70-56	71169040000	001	NYLON-CLIPS HP-4N	
70-58	56808560000	002	SELF-TAPP.SCREW DIN 7500-CM5X30-ST	

4

Bitte unbedingt 11-stellige **Bestell-Nr.** angeben • Please always indicate 11 digit **Order No.** • Absolument nécessaire d'indiquer **No. de commande**  
(11 chiffres) • Favorisca specificarci sempre il **N. di ordine** a 11 cifre • Es imprescindible que citen el **No. de pedido** (11 guarismos)

Amendment: 07/2012

Series (code No.) <b>90.077</b>	Spare parts list No. <b>054.98.3.1013</b>	<b>A 400 / A 400 FB</b>	Text page <b>43</b>
------------------------------------	--	-------------------------	------------------------

Number in drawing X	Order number X	Piece X	Designation X	from status onwards X
70-60	60540702100	001	COVER FOR COLUMN (A)	
	60540702400	001	COVER F. COLUMN (B)	
70-62	57629520000	002	COUNTERSUNK SCREW DIN 963-M5X10-A2-70	
70-64	60546105501	001	CABLE FOR BACKPLANE A400	
	60546105800	001	CABLE FOR BACKPLANE - VP63 A400	
70-65	71161170000	001	NUT GMP-GL M16	
70-66	71169040000	001	NYLON-CLIPS HP-4N	
70-68	71010650000	001	CABLE GLAND PG7 UL53015000	
70-70	71161070000	001	NUT PG 7 DIN 46320	
70-71	60546105700	001	CA.CONNECTION - VP63 A400	
70-72	71010810000	001	CABLE GLAND M12X1,5 UL53111000	
70-73	71161150000	001	NUT GMP-GL M 12 53119000	
70-74	71066120000	002	SCREW PLUG BLK-M12	
71		001	DISPLAY PANEL TOP CPL. (A)	
		001	DISPLAY PANEL BOTTOM CPL. (B)	
71-5	60540752000	001	FRONT PLATE PRE-MOUNTED	
	60540772000	001	FRONT PLATE CPL.MULTIVAC	
71-5-4	60540752300	001	FRONT PLATE PREMOUNT.	
	60540772300	001	FRONT PLATE PREMOUNT. MULTIVAC	
71-5-15	60547020110	001	PROGR. AND PCBA DISPLAY A400 GEN2	
	60547080105	001	PROGR. AND PCBA DISPLAY A400-MULTIVAC	
71-5-15-7	71057090000	001	LCD DIS 1/4VGA 5,7" FSTN MONO EW50838FLW	
71-5-15-9	71067250000	003	SPACER 5;4	
71-5-15-11	56739030000	005	WASHER DIN 125-A 3,2-A2-70	
71-5-15-13	56456300000	005	HEXAGON NUT DIN 934-M3-A2-70	
71-5-15-15	71400960000	001	SHORT CIRCUIT BRACKET 3131 731000406	
71-5-15-17	60540752700	001	GROUND BOLT	
71-5-15-19	57758300000	001	TOOTHED WASHER DIN 6797-A 3,2-FST	
71-5-16	71960051000	036	PUSH ROD 11;5(RAC) 5.46167052	
71-5-30	57464310000	011	PLASTIC SCREW WN1451-K30X8-T10-A2-70	
71-5-31	56768060000	011	WASHER DIN 125-A 3,2-PA66	

Text page <b>44</b>	<b>A 400 / A 400 FB</b>	Spare parts list No. <b>054.98.3.1013</b>	Series (code No.) <b>90.077</b>
------------------------	-------------------------	--	------------------------------------

Number in drawing X	Order number X	Piece X	Designation X	from status onwards X
71-10	60540752800	001	BACKPLATE CPL. COATED	
71-10-5	71066191000	001	CABLE GLAND BLK-GL-M 50X1;5	
71-11	60540750400	001	SEALING	
71-14	56082290000	002	SETSCREW DIN 438-M5X10-A2-70	
71-15	57464300000	008	PLASTIC SCREW WN1447-K40X20-A2-70	
71-16	50723030000	008	O-SEAL 3.68X1.78	
71-17	71004360000	002	CABLE TIE T 50 R	
71-18	56808740000	002	SELF-TAPP.SCREW DIN 7500-EM5X16-ST	
71-20	60540750901	001	SUPPORTING BRACKET	
71-21	60540751800	001	SEALING	
71-22	60540751000	001	SEALING	
71-23	60540751900	001	SEALING INSERT	
71-25	60540752200	001	FLANGE PRE-MOUNTED	
71-27	60540752500	001	SEALING RING	
71-30	60540752100	001	SOCKET PLATE PRE-MOUNTED	
71-30-1	60540751200	001	SOCKET PLATE	
71-30-5	60540751400	001	GUARD RING	
71-30-6	95972870002	000	LOCTITE 638	
71-30-10	50375140000	003	SPRING TRUST PIECE GN 615.1-M8-BSN	
71-30-11	56444800000	003	HEXAGON NUT DIN 439-BM8-A2-70	
71-30-12	56185350000	001	PARALLEL PIN DIN 7-6M6X10-ST	
71-30-20	29286030000	000	SILICONE TUBE NW2,5X0,5 WALL	
71-35	60540751500	001	SLEEVE	
71-36	60540751600	001	WASHER	
71-40	56808660000	002	SELF-TAPP.SCREW DIN 7500-CM5X40-ST	
71-41	57767050000	002	SPR. LOCK WASHER DIN 128-A5-FST	
71-45	71169040000	002	NYLON-CLIPS HP-4N	
71-50	60540753002	001	ADAPTER	
71-51	60540760500	001	FLAT SEALING	
71-55	57743280000	002	SOCKET HEAD SCREW DIN 912-M5X20-A2-70	
71-56	56765050000	002	WASHER DIN 9021-5,3-A2-70	
71-57	57767050000	002	SPR. LOCK WASHER DIN 128-A5-FST	
71-60	57430300000	002	HEXAGON SCREW DIN 933-M5X30-A2-70	
71-61	50003760000	002	O-SEAL 5,6X2,4	
71-62	56739050000	002	WASHER DIN 125-A 5,3 -A2-70	

4

Bitte unbedingt 11-stellige **Bestell-Nr.** angeben • Please always indicate 11 digit **Order No.** • Absolument nécessaire d'indiquer **No. de commande**  
(11 chiffres) • Favorisca specificarci sempre il **N. di ordine** a 11 cifre • Es imprescindible que citen el **No. de pedido** (11 guarismos)

Amendment: 07/2012

Series (code No.) <b>90.077</b>	Spare parts list No. <b>054.98.3.1013</b>	<b>A 400 / A 400 FB</b>	Text page <b>45</b>
------------------------------------	--	-------------------------	------------------------

Number in drawing X	Order number X	Piece X	Designation X	from status onwards X
71-140	60540753100	001	COLUMN	
71-142	57767060000	002	SPR. LOCK WASHER DIN 128-A6-FST	
71-144	57736120000	002	SOCKET HEAD SCREW DIN 912-M6X12-8.8	
71-146	40220000201	002	PROTECTIVE PLUG 12.2 KNURLED	
71-148	60540701801	001	COLUMN FLANGE	
71-154	60546105601	001	CABLE DISPLAY EXTENSION PLUG A 400	
71-164	60546105501	001	CABLE FOR BACKPLANE A400	
71-174	60546110200	001	CABLE EXTENSION PLUG ON/OFF A400	
71-184	60546110300	001	CABLE EXTENSION SOCKET ON/OFF A400	
71-190	60540702100	001	COVER FOR COLUMN	
71-192	57629520000	002	COUNTERSUNK SCREW DIN 963-M5X10-A2-70	
71-225	60540702200	001	MOTOR COVER	
71-226	29286030000	000	SILICONE TUBE NW2,5X0,5 WALL	
71-227	57767040000	002	SPR. LOCK WASHER DIN 128-A4-FST	
71-228	56805750000	002	OVAL-HEAD SCREW DIN 7985-M4X12-T20-5.8	
71-229	40220000201	002	PROTECTIVE PLUG 12.2 KNURLED	
72		001	ACCESSORY KIT DISP. BOTTOM	
72-2	57743440000	002	SOCKET HEAD SCREW DIN 912-M6X25-A2-70	
72-4	57767060000	002	SPR. LOCK WASHER DIN 128-A6-FST	
72-5	71004320000	001	CABLE TIE T 40 R	
72-6	56923100000	008	COUNTER SUNK SCREW DIN 964-M4X10-A2-70	
74	40220000201	001	PROTECTIVE PLUG 12.2 KNURLED	
75	71010650000	001	CABLE GLAND PG7 UL53015000	
76	71161070000	001	NUT PG 7 DIN 46320	
80	60540810401	001	DEPOSITING ARM STANDARD COMPL.	
	60540820401	001	DEPOSITING ARM NSF COMPL.	
80-1	<b>60540801800</b>	001	DEPOSITING ARM ANGLE PLATE COMPL. (UP TO DEVICE-NO. 1380195)	
	60820801800	001	DEPOSITING ARM ANGLE PLATE COMPL. (FROM DEVICE-NO. 1380196)	
80-1-1	60820802300	001	ANGLE PLATE (FROM DEVICE-NO. 1380196)	
80-1-2	60540800300	001	BOLT	
80-1-3	57767080000	001	SPR. LOCK WASHER DIN 128-A8-A2	
80-1-4	60540800401	001	THREE-SQUARE HANDLE DRILLED M8	
80-1-5	95972840000	000	SCREW SEALING ADHESIVE LOCTITE 648 10M	
80-1-6	56327240000	001	GROOCD PIN DIN 1472-3X16-A2-70	
80-10	60540801001	001	DEPOSITING ARM STANDARD WELDED	
	60540801101	001	DEPOSITING ARM NSF COATED	
80-20	56359700000	001	PARALLEL NOTCHED PIN 6X10 DIN 1473	
80-21	50002420000	001	PROTECTIVE PLUG TL-4-124	
80-25	00111500029	001	LOCK NUT M 12X1 (UP TO DEVICE-NO. 1380195)	
	60540802000	001	LOCK NUT (FROM DEVICE-NO. 1380196)	
80-30	95972840000	000	SCREW SEALING ADHESIVE LOCTITE 648 10M	

Text page <b>46</b>	<b>A 400 / A 400 FB</b>	Spare parts list No. <b>054.98.3.1013</b>	Series (code No.) <b>90.077</b>
------------------------	-------------------------	--	------------------------------------

Number in drawing X	Order number X	Piece X	Designation X	from status onwards X
90		001	DEPOSITING ARM DRIVE COMPL. TABLE	
90-1	60540902501	001	DEPOSITING ARM HOUSING TABLE (EXCEPT FRA + ITA)	
	60540920101	001	DEPOSITING ARM HOUSING TABLE (FRA + ITA)	
	60540930500	001	DEPOSITING ARM HOUSING PREASS. CONV.BELT (EXCEPT FRA + ITA)	
	60540940500	001	DEPOSIT.ARM HOUSING PREASS. CONV.BELT FR (FRA + ITA)	
90-2	60540900501	002	HOLDING BRACKET	
90-3	60540900400	001	REVERSING SOLENOID	
90-4	57767040000	004	SPR. LOCK WASHER DIN 128-A4-FST	
90-5	56805410000	004	OVAL-HEAD SCREW DIN 7985-M4X6-5.8 (TABLE FRA + ITA UND FB)	
	56805420000	004	OVAL-HEAD SCREW DIN 7985-M4X8-4.8 (TABLE EXCEPT FRA + ITA)	
90-20	57767060000	004	SPR. LOCK WASHER DIN 128-A6-FST	
90-21	57736120000	004	SOCKET HEAD SCREW DIN 912-M6X12-8.8	
90-22	60540900700	001	ANGLE PLATE	
90-25	56456800000	001	HEXAGON NUT DIN 934-M8-X5CRNI18-10	
90-26	60540900601	001	ANGLE	
90-31	60540902900	001	DEPOSITING ARM LEVER COMPL.	
90-31-27	57743440000	002	SOCKET HEAD SCREW DIN 912-M6X25-A2-70	
90-31-28	57767060000	002	SPR. LOCK WASHER DIN 128-A6-FST	
90-31-29	60240304800	002	SPACER 6.2X12X15	
90-31-30	60240304900	001	CONNECTING ROD	
90-31-31	94008900059	000	GREASE PARALIQ GA 343	
90-31-32	56456600000	001	HEXAGON NUT DIN 934-M6-A2-70	
90-31-40	60540900800	001	DEPOSITING ARM LEVER SOLDERED	
90-31-41	60240304001	001	BEARING BUSHING PREASSEMBLED	
90-31-42	56709980000	001	SHIM RING DIN 988-14X20X0,1	
90-31-43	60510400046	001	WASHER 14.1X24X1	
90-31-44	57773140000	001	RETAINING RING DIN 471-14X1	
90-45	56805750000	003	OVAL-HEAD SCREW DIN 7985-M4X12-T20-5.8	
90-46	57767040000	004	SPR. LOCK WASHER DIN 128-A4-FST	
90-50 (V)	60540901000	001	STOP COMPL.	
90-52	57347160000	002	HEXAGON SCREW DIN 933-M6X16-8.8	
90-53	57767060000	002	SPR. LOCK WASHER DIN 128-A6-FST	
90-60	71037830000	001	STRAND INCREM. ENCODER HEDS 9200-300 (FROM DEVICE-NO. 2097477)	
90-61	57673160000	002	CHEESE-HEAD SCREW DIN 84-M2.5X16-4.8	
90-62	57766010000	002	SPR. LOCK WASHER DIN 128-A2,6	
90-65	60546100700	001	CABLE LIGHT BARRIER CPU A400	
90-70	60540902000	001	COUNTING GRID (UP TO DEVICE-NO. 2097476)	
	60830912001	001	COUNTING GRID (FROM DEVICE-NO. 2097477)	

Bitte unbedingt 11-stellige **Bestell-Nr.** angeben • Please always indicate 11 digit **Order No.** • Absolutement nécessaire d'indiquer **No. de commande**  
(11 chiffres) • Favorisca specificarci sempre il **N. di ordine** a 11 cifre • Es imprescindible que citen el **No. de pedido** (11 guarismos)

Amendment: 07/2012

Series (code No.) <b>90.077</b>	Spare parts list No. <b>054.98.3.1013</b>	<b>A 400 / A 400 FB</b>	Text page <b>47</b>
------------------------------------	--	-------------------------	------------------------

Number in drawing X	Order number X	Piece X	Designation X	from status onwards X
90-71	56805410000	001	OVAL-HEAD SCREW DIN 7985-M4X6-5.8	
90-72	60540902100	001	SUPPORT	
90-78	60546100900	001	SENSOR COMPL. PRODUCT END A400	
90-79	60540902701	001	ANGLE PLATE	
90-81	56805410000	001	OVAL-HEAD SCREW DIN 7985-M4X6-5.8	
90-82	57758610000	001	TOOTHED WASHER DIN 6797-A 4,3-FST	
90-83	56805430000	001	OVAL-HEAD SCREW DIN 7985-M4X10-5.8	
90-84	57767040000	001	SPR. LOCK WASHER DIN 128-A4-FST	
90-103	94008900059	000	GREASE PARALIQ GA 343	
90-104	50001200000	001	BUSH 2015 DU 20X23X15	
90-105	50003060000	001	DEFLECTOR RING A20/28 5/3.5	
90-106	50001420000	002	THRUST WASHER WC 08 DU 10X20	
90-107	60540930300	001	METAL PIN	
90-108	60540319300	001	TOOTHED BELT PULLEY COMPL.	
90-109 (V)	50775950000	001	TOOTHED BELT 160XL-037	
90-110	60540930200	001	SUPPORTING PLATE	
90-111	50001270000	001	BUSH MB 1010 DU	
90-112	57767040000	002	SPR. LOCK WASHER DIN 128-A4-FST	
90-113	56805470000	002	OVAL-HEAD SCREW DIN 7985-M4X20-5.8	
90-150		001	COVER PREASSEMBLED	
90-150-1	60540902600	001	COVER FOR DEPOSITING ARM HOUSING	
90-150-3	29288410000	001	SEALING TAPE FL40 X1 (1,1 M)	
90-151	56923100000	008	COUNTER SUNK SCREW DIN 964-M4X10-A2-70	
90-160	60540901500	001	CATCHING BOLT	
90-162	50305490000	001	SHAFT SEAL VA-0028 25X34X7,5-NBR	
90-163	94008900058	000	KLUEBERSYNTH UH1 64-62/25KG	
90-170	95972940000	000	SCREW SEALING ADHESIVE LOCTITE 243 10ML	
90-180	56170200000	002	PARALLEL PIN DIN 7-6M6X20-ST	
90-181	57347200000	003	HEXAGON SCREW DIN 933 M6X20-8.8	
90-182	57767060000	003	SPR. LOCK WASHER DIN 128-A6-FST	
90-200	60800116900	001	BIZERBA CHARACTER FONT	
90-210	60540920200	001	SENSOR HOLDER	
90-211	60536400100	001	SENSOR CON. FRANCE A330	
90-215	60240304301	001	BUFFER HOLDER	
90-216	60510400308	001	THREADED BOLT	
90-217	56083210000	001	SETSCREW DIN 913-M8X25-A2-70	
90-218	57736160000	001	SOCKET HEAD SCREW DIN 912-M6X16-8.8	
90-219	56739060000	001	WASHER DIN 125-A 6,4-A2-70	
90-220	57767060000	001	SPR. LOCK WASHER DIN 128-A6-FST	
90-221	95972840000	000	SCREW SEALING ADHESIVE LOCTITE 648 10M	
90-225	60540920300	001	PROTECTIVE HOOD COMPL. (FRA)	
	60540920400	001	PROTECTIVE HOOD A400 (ITA)	
90-225-1	60540920400	001	PROTECTIVE HOOD A400	
90-225-2	60530001600	001	ARM	
90-225-3	60530001700	001	SUPPORTING PLATE	
90-225-4	57429160000	002	HEXAGON SCREW DIN 933-M4X16-A2-70	
90-225-5	57767040000	002	SPR. LOCK WASHER DIN 128-A4-FST	

Text page <b>48</b>	<b>A 400 / A 400 FB</b>	Spare parts list No. <b>054.98.3.1013</b>	Series (code No.) <b>90.077</b>
------------------------	-------------------------	--	------------------------------------

Number in drawing X	Order number X	Piece X	Designation X	from status onwards X
90-225-6	60540271900	001	MAGNET VACODYM370WZ, ROUND 10X4	
90-225-7	95972940000	000	SCREW SEALING ADHESIVE LOCTITE 243 10ML	
90-233	56805420000	002	OVAL-HEAD SCREW DIN 7985-M4X8-4.8	
90-234	56739040000	002	WASHER DIN 125-A 4.3-A2-70	
90-235	57767040000	002	SPR. LOCK WASHER DIN 128-A4-FST	
90-236	56087080000	001	STAR KNOB DIN 6335-K 50 M8	
100		001	ACCESSORIES	
100-1	40220003400	001	PROTECTIVE BAG	
100-2	50002870000	001	FLAT BRUSH 1 1/2	
100-3	50002910000	001	BRUSH	
100-4	60220007800	001	SERVICE OIL BY BIZERBA 30 ML	
100-5	50002840000	001	CLOTH 38X40	
100-6	60220007500	001	PAPER FELT	
100-10	57120170000	002	HEADLESS SCREW DIN 427-M8X25-A2-70	
101	60544610002	001	SHARPENING DEVICE A400	
101-7202	60544610002	001	SHARPENING DEVICE PRE-ASSEMBLED	
101-7202-7203	60544610500	001	HOUSING	
101-7202-7210	60220600500	001	SHAFT	
101-7202-7211	40110500001	001	PRESSURE SPRING	
101-7202-7212	56755650000	001	WASHER DIN 433-6.4-A2-70	
101-7202-7213	57750400000	001	RETAINING WASHER DIN 6799-4-ST	
101-7202-7214	60220600600	001	BEARING BOLT	
101-7202-7215	40220600800	001	HANDWHEEL	
101-7202-7216	56805720000	001	OVAL-HEAD SCREW DIN 7985-M6X30-5.8	
101-7202-7217	56739060000	001	WASHER DIN 125-A 6,4-A2-70	
101-7202-7218	60220602600	001	SPACER BUSHING	
101-7202-7220	56400860000	001	LOCKNUT DIN 985-M6-A2-70	
101-7202-7221	60220600700	001	SHAFT	
101-7202-7222	40220601000	001	PRESSURE SPRING	
101-7202-7223	40220601100	001	WASHER	
101-7202-7224	57750400000	001	RETAINING WASHER DIN 6799-4-ST	
101-7202-7230	40220601200	002	LEAF SPRING	
101-7202-7231	60220600900	001	COVER	
101-7202-7235	40110500008	002	WASHER	
101-7202-7236 (V)	60223401000	001	SHARPENING DISK	
101-7202-7237 (V)	60223401100	001	HONING STONE	
101-7202-7238	56728640000	002	WASHER DIN 125-A 6.4-AL	
101-7202-7239	56448600000	002	HEXAGON NUT DIN 439-BM6-LH-AL	
101-7202-7240	60220602201	001	COVER	
101-7202-7241	60220602301	001	COVER	
101-7202-7245	94008900058	000	KLUEBERSYNTH UH1 64-62/25KG	
101-7683	57463000000	004	TAPPING SCREW DIN 7981-F3.5X16 Z1-ST	
101-7684	60370600302	001	CLAMPING PIECE	
101-7685	56739060000	001	WASHER DIN 125-A 6,4-A2-70	
101-7686	56805700000	001	OVAL-HEAD SCREW DIN 7985-M6X20-5.8	
101-7687	60544611300	001	STAR KNOB MOUNT.	
101-7688	60223400500	001	CAP	
101-7696	95972940000	000	SCREW SEALING ADHESIVE LOCTITE 243 10ML	
101-7698	40300900006	002	SLIDE PIN	
101-7699	56047610000	001	SETSCREW DIN 551-M6X8-PA66	

4

Bitte unbedingt 11-stellige **Bestell-Nr.** angeben • Please always indicate 11 digit **Order No.** • Absolutement nécessaire d'indiquer **No. de commande** (11 chiffres) • Favorisca specificarci sempre il **N. di ordine** a 11 cifre • Es imprescindible que citen el **No. de pedido** (11 guarismos)

Amendment: 07/2012

Series (code No.) <b>90.077</b>	Spare parts list No. <b>054.98.3.1013</b>	<b>A 400 / A 400 FB</b>	Text page <b>49</b>
------------------------------------	--	-------------------------	------------------------

Number in drawing	Order number	Piece	Designation	from status onwards
X	X	X	X	X
110	60544803304	001	SPECIFICATION PLATE A402 CE (A 402; 3-PHASE, GERMANY)	
	60544807604	001	SPECIFICATION PLATE A402 FB CE (A 402 FB; 3-PHASE, AUSTRIA WITH OUTPUT ON PACKAGING MACHINE)	
	60544800903	001	SPECIFICATION PLATE A404 CE EURO BW (A 404; 3-PHASE, GERMAN ARMED FORCES)	
	60544803104	001	SPECIFICATION PLATE A404 CE (A 404; AC)	
	60544803404	001	SPECIFICATION PLATE A404 CE (A 404; 3-PHASE, JAPAN)	
	60544803502	001	SPECIFICATION PLATE A404 EURO (A 404; 3-PHASE, JAPAN)	
	60544803604	001	SPECIFICATION PLATE A404 CE (A 404; AC, NEW ZEALAND)	
	60544809601	001	SPECIFICATION PLATE A404 US (A 404; AC, USA)	
	60544810101	001	SPECIFICATION PLATE A404 (A 404; AC; CANADA)	
	60544810800	001	SPECIFICATION PLATE A400 GBR (A 404; AC)	
	60544804304	001	SPECIFICATION PLATE A404 FB CE (A 404 FB; AC, EXPORT+ITALY)	
	60544804502	001	SPECIFICATION PLATE A404 CONV.B. (A 404 FB; AC, AUSTRALIA)	
	60544804604	001	SPECIFICATION PLATE A404 FB CE (A 404 FB; 3-PHASE, GERMANY, AUSTRIA FRANCE, ITALY, SPAIN)	
	60544805104	001	SPECIFICATION PLATE A404/FB EURO (A 404 FB; 3-PHASE, JAPAN)	
	60544805403	001	SPECIFICATION PLATE A404/CONV.B. CE EURO (A 404 FB; 3-PHASE, TRINIDAD/TOBAGO)	
	60544806304	001	SPECIFICATION PLATE A404 FB CE (A 404 FB; 3-PHASE, ITALY, OUTPUT ON VP63)	
	60544809801	001	SPECIFICATION PLATE A404 FB US (A 404 FB; AC, USA)	
	60544810301	001	SPECIFICATION PLATE A404 FB (A404 FB; AC, CANADA+MULTIVAC)	
	60544803704	001	SPECIFICATION PLATE A406 CE (A 406; AC)	
	60544803902	001	SPECIFICATION PLATE A406 EURO (A 406; 3-PHASE, JAPAN)	
	60544804004	001	SPECIFICATION PLATE A406 CE (A 406; 3-PHASE, GERMANY, ITALY)	
	60544804102	001	SPECIFICATION PLATE A406 EURO (A 406; 3-PHASE, COLOMBIA)	
	60544809700	001	SPECIFICATION PLATE A406 US (A 406; AC, USA)	
	60544810200	001	SPECIFICATION PLATE A406 (A 406; AC, CANADA)	
	60544810900	001	SPECIFICATION PLATE A400 GBR (A 406; AC, GREAT BRITAIN)	

Text page <b>50</b>	<b>A 400 / A 400 FB</b>	Spare parts list No. <b>054.98.3.1013</b>	Series (code No.) <b>90.077</b>
------------------------	-------------------------	--	------------------------------------

Number in drawing	Order number	Piece	Designation	from status onwards
X	X	X	X	X
	60544804704	001	SPECIFICATION PLATE A406 FB (A 406 FB; 3-PHASE, COSTA RICA)	
	60544804802	001	SPECIFICATION PLATE A406/CONV.B. EURO (A 406 FB; 3-PHASE, KUWAIT)	
	60544804904	001	SPECIFICATION PLATE A406 FB CE (A 406 FB; AC)	
	60544805204	001	SPECIFICATION PLATE A406 FB CE (A406 FB; 3-PHASE, GERMANY, ITALY MULTIVAC, OUTPUT ON EVIDE)	
	60544805304	001	SPECIFICATION PLATE A406 FB (A 406 FB; 3-PHASE, JAPAN, MULTIVAC)	
	60544809901	001	SPECIFICATION PLATE A406 FB US (A 406 FB; AC, USA, MULTIVAC)	
	60544810400	001	SPECIFICATION PLATE A406 FB (A 406 FB; AC, CANADA)	
	60544811000	001	SPECIFICATION PLATE A400 GBR (A406 FB; AC, GREAT BRITAIN)	
	60544811101	001	SPECIFICATION PLATE A406 FB GBR (A 406 FB; 3-PHASE, GREAT BRITAIN)	
111	60374805100	001	PROTECTION FOIL	
112	60544801012	001	ADHESIVE PLATE GER A400	
	60544801112	001	ADHESIVE PLATE ENGL A400	
	60544801212	001	ADHESIVE PLATE FRA A400	
	60544801312	001	ADHESIVE PLATE ESP A400 (F5)	
	60544801412	001	ADHESIVE PLATE NLD A400	
	60544801512	001	ADHESIVE PLATE ITAL A400	
	60544801600	001	ADHESIVE PLATE LINE-P. A400+LP	
	60544801700	001	ADHESIVE PLATE A400+ INTL.	
	60544801912	001	ADHESIVE PLATE ESP+INTERLA400 (F5)	
	60544821200	001	ADHESIVE PLATE FRA A400+VPM	
	60544821501	001	ADH. CIRCUIT DIAGR. IT. A400 VPM	
	60544821601	001	ADH. CIRCUIT DIAGR. A400-VP63	
	60544831000	001	ADH.CIRCUIT DIAGR. GER A400 GEN2	
	60544831100	001	ADH.CIRCUIT DIAGR. ENGL A400 GEN2	
	60544831200	001	ADH.CIRCUIT DIAGR. FRA A400 GEN2	
	60544831300	001	ADH.CIRCUIT DIAGR. ESP A400 GEN2	
	60544831500	001	ADH.CIRCUIT DIAGR. ITAL A400 GEN2	
	60544831600	001	ADH.CIRCUIT DIAGR. LINE-PAK A400 GEN2	
	60544831700	001	ADH.CIRCUIT DIAGR. INTERL. A400 AND INTL	
	60544831900	001	ADH.CIRCUIT DIAGR. ESP A. INTERL A400 G2	
	60544832000	001	ADH.CIR.DIAGR. AC/3PH A400GEN2-MULTIVAC	
	60544832100	001	ADH.CIR.DIAGR. AC/3PH A400GEN2-MULTIV EN	
113	60544800301	001	REF.PLATE OPER.INSTR. FRA	
	60544800401	001	REF.PLATE OPER.INSTR. ESP	
114	60544802000	001	WARNING PLATE FOR CARRIAGE	
116	67501214700	001	WARNING PLATE USA	
117	56255060000	006	ROUND-HEAD NAIL DIN 1476-3X6-AL	
118	60544808100	001	REFERENCE PLATE "DO NOT CLEAN WITH HOSE"	

4

Bitte unbedingt 11-stellige **Bestell-Nr.** angeben • Please always indicate 11 digit **Order No.** • Absolutement nécessaire d'indiquer **No. de commande**  
(11 chiffres) • Favorisca specificarci sempre il **N. di ordine** a 11 cifre • Es imprescindible que citen el **No. de pedido** (11 guarismos)

Amendment: 07/2012

Series (code No.) <b>90.077</b>	Spare parts list No. <b>054.98.3.1013</b>	<b>A 400 / A 400 FB</b>	Text page <b>51</b>
------------------------------------	--	-------------------------	------------------------

Number in drawing X	Order number X	Piece X	Designation X	from status onwards X
130	60549850005	001	OPER.INSTR. A400 DEU	
	60549851005	001	OPER.INSTRUCT. A400 ENGL.	
	60549852005	001	OPER.INSTR. A400 FRA	
	60549853005	001	OPER.INSTR. A400 ITA	
	60549854005	001	OPER.INSTR. A-400 ESP	
	60549854101	001	OPERATING INSTRUCTIONS A400 ESP N.CE	
	60549855605	001	OPERATING INSTRUCTIONS A400/A400FB PT	
60549846205	001	OPERATING INSTRUCTIONS A400FB BG		
131	60549855003	001	OPERATING INSTRUCTIONS A400 CONV.B. GER	
	60549855103	001	OPERATING INSTRUCTIONS A400 CONV.B. ENG	
	60549855303	001	OPERATING INSTRUCTIONS A400 CONV.B. FRA	
	60549855501	001	OPERATING INSTRUCTIONS A400 CONV.B. ITA	
	60549855603	001	OPERATING INSTRUCTIONS A400 CONV.B ESP	
	60549855703	001	OPERATING INSTRUCTIONS A400CB FLA	
	60549858101	001	OPERATING INSTRUCTIONS A400 C.B ESP N.CE	
	60549858202	001	OPERATING INSTRUCTIONS A400CB DNK	
	60549858501	001	OPER.INSTR. A400CB ITA CONN VP63+MANU.CL	
60549859901	001	OPERATING INSTRUCTIONS A400 CONV.B. JPN		
132	60549840002	001	BRIEF OPERATION INSTRUCTIONS A400 GERMAN	
	60549841002	001	BRIEF OPERATING INSTRUCTIONS A400 ENGLIS	
	60549842002	001	BRIEF OPERATING INSTRUCTIONS A400 FRENCH	
	60549843002	001	BRIEF OPERATING INSTRUCTIONS A400 ITALIA	
	60549844002	001	BRIEF OPERATING INSTRUCTIONS A400 SPANIS	
133	60549845002	001	BRIEF OPERATING INSTRUCTIONS A400 CB GER	
	60549845102	001	BRIEF OPERATING INSTRUCTIONS A400 CB ENG	
	60549845202	001	BRIEF OPERATING INSTRUCTIONS A400 CB FRA	
	60549845302	001	BRIEF OPERATING INSTRUCTIONS A400 CB ITA	
	60549845402	001	BRIEF OPERATING INSTRUCTIONS A400 CB ESP	
135	60549870003	001	INST. <b>MANUAL</b> A400/CONV.B. GER	
	60549871003	001	INST. <b>MANUAL</b> A400/CONV.B. ENG	
	60549872003	001	INST. <b>MANUAL</b> A400/CONV.B. FRA	
	60549873003	001	INST. <b>MANUAL</b> A400/CONV.B. ITA	
	60549874003	001	INST. <b>MANUAL</b> A400/CONV.B. ESP	
136	60549810000	001	A406FB GE INSTALLATION INSTRUCTIONS	
	60549811000	001	A406FB EN INSTALLATION INSTRUCTIONS	
	60549812000	001	A406FB FR INSTALLATION INSTRUCTIONS	
	60549813000	001	A406FB IT INSTALLATION INSTRUCTIONS	
	60549814000	001	A406FB ES INSTALLATION INSTRUCTIONS	
	60549815600	001	A406FB PT INSTALLATION INSTRUCTIONS	
139	60544812500	001	IDENTIFICATION PLATE A400 US	

Text page <b>52</b>	<b>A 400 / A 400 FB</b>	Spare parts list No. <b>054.98.3.1013</b>	Series (code No.) <b>90.077</b>
------------------------	-------------------------	--	------------------------------------

Number in drawing X	Order number X	Piece X	Designation X	from status onwards X
150	47509000301	001	REFERENCE PLATE GER	
	47509000401	001	REFERENCE PLATE ENG	
	47509000501	001	REFERENCE PLATE FRA	
	47509000601	001	REFERENCE PLATE ESP	
	47509000701	001	REFERENCE PLATE ITA	
	47509001301	001	REFERENCE PLATE DNK	
	47509010201	001	REFERENCE PLATE PORT	
	47509010301	001	REFERENCE PLATE FLEM	
	47509020500	001	REFERENCE PLATE SWE	
	47509020600	001	REFERENCE PLATE NDL	
	47509020700	001	REFERENCE PLATE RUSS	
	47509020800	001	REFERENCE PLATE GREE	
	47509020900	001	REFERENCE PLATE SERBOCROAT	
	47509021000	001	REFERENCE PLATE CZECH	
	47509021100	001	REFERENCE PLATE HUN	
	47509021200	001	REFERENCE PLATE POL	
	47509021300	001	REFERENCE PLATE BULGARIA	
200	60542430002	001	BENCH MOBILE	
200-10	60542402100	001	BENCH WELDED 40X40X2	
200-19	60544808000	001	PLATE FOR BENCH	
200-20	60542404000	002	SUPPORTING FOOT COMPL. SE00060000	
200-30	50720010000	002	CASTOR WITH PIVOT LEXZ-POT H 100 G-FI-WE	
200-40	57743650000	004	SOCKET HEAD SCREW DIN 912-M8X16-A2-70	
200-49	56739080000	004	WASHER DIN 125-A 8,4-A2-70	
200-50	57767080000	004	SPR. LOCK WASHER DIN 128-A8-A2	
200-51	57432250000	004	HEXAGON SCREW DIN 933-M8X25-A2-70	
200-53	60549860100	001	INSTALLATION INSTRUCTIONS MOBILE BENCH	
200-70	60542403600	001	BRACKET WELDED	
200-80	50720600000	002	WHEEL PP 100/15G	
200-82	56765070000	002	WASHER DIN 9021-8,4-A2-70	
200-84	57432160000	002	HEXAGON SCREW DIN 933-M8X16-A2-70	
200-90	60542403400	002	SHAFT	
200-92	56739100000	002	WASHER DIN 125-A 10,5-A2-70	
200-94	56739060000	002	WASHER DIN 125-A 6,4-A2-70	
200-96	57431120000	002	HEXAGON SCREW DIN 933-M6X12-A2-70	
200-98	56765060000	002	WASHER DIN 9021-6,4-A2-70	
200-100	57431120000	002	HEXAGON SCREW DIN 933-M6X12-A2-70	
200-102	50002390000	002	PROTECTIVE PLUG TL-4-105	
200-104	50002290000	002	PROTECTIVE PLUG M8 10070	
200-120	60542403800	001	ACCESSORY KIT FOR BENCH FIXATION	
200-120-2	60542403701	002	MOUNTING	
200-120-3	95916850000	002	DOWEL PIN FISCHER S8/35	
200-120-4	56113920000	002	WOOD SCREW DIN 97 M6X50-4.6	
200-202	60544809400	001	SPECIFICATION PLATE BENCH	
600	60540603001	001	POWER PACK BOARD COMPL. (DEVICE-NO. 1332927 - 10511169)	
	60540603101	001	POWER PACK PLATE CPL. (FROM DEVICE-NO. 10516522)	

4

Bitte unbedingt 11-stellige **Bestell-Nr.** angeben • Please always indicate 11 digit **Order No.** • Absolutement nécessaire d'indiquer **No. de commande**  
(11 chiffres) • Favorisca specificarci sempre il **N. di ordine** a 11 cifre • Es imprescindible que citen el **No. de pedido** (11 guarismos)

Amendment: 07/2012

Series (code No.) <b>90.077</b>	Spare parts list No. <b>054.98.3.1013</b>	<b>A 400 / A 400 FB</b>	Text page <b>53</b>
------------------------------------	--	-------------------------	------------------------

Number in drawing X	Order number X	Piece X	Designation X	from status onwards X
600-1	60540311100	001	CARRIER PLATE FOR NETWORK MODULE	
600-10	71130250000	001	MARSHALLING PANEL DIN 46285 3	
600-11	56805390000	001	OVAL-HEAD SCREW DIN 7985-M3X14-4.8	
600-20	71048580000	001	BRIDGE RECTIFIER KBPC 3504FP	
600-21	56739040000	001	WASHER DIN 125-A 4.3-A2-70	
600-22	57767040000	001	SPR. LOCK WASHER DIN 128-A4-FST	
600-23	56805460000	001	OVAL-HEAD SCREW DIN 7985-M4X16-8.8 (DEVICE-NO. 1332927 - 10511169)	
	56805750000	001	OVAL-HEAD SCREW DIN 7985-M4X12-T20-5.8 (FROM DEVICE-NO. 10516522)	
600-30	71670080000	001	RESISTOR 0.1 SRH10	
600-31	56805150000	002	OVAL-HEAD SCREW DIN 7985-M2X6-4.8	
600-32	56735220000	002	WASHER DIN 125-A 2,2-ST	
600-33	56455200000	002	HEXAGON NUT DIN 934-M2-8	
600-40	38013506000	001	CONTACTOR CA 4-9 24VDC (100-M09NZ243)	
600-41	56805430000	002	OVAL-HEAD SCREW DIN 7985-M4X10-5.8	
600-42	71104090000	003	SUPPRESSION CAPACITOR CRC 4 25	
600-50	71130220000	001	TERMINAL STRIP MK 3/5	
600-51	60260307300	001	INSULATING PLATE	
600-52	56805390000	002	OVAL-HEAD SCREW DIN 7985-M3X14-4.8	
600-60	65255691400	001	STRAND GROUND.WIRE-OPERA.TABLEAU U UL/CS	
600-61	57758400000	002	TOOTHED WASHER DIN 6797-A 4.3-FST	
600-62	56739040000	001	WASHER DIN 125-A 4.3-A2-70	
600-63	56805420000	001	OVAL-HEAD SCREW DIN 7985-M4X8-4.8	
601	56818440000	004	SELF-TAPP.SCREW DIN 7500-CM4X12-T20-ST	
602	56739040000	004	WASHER DIN 125-A 4.3-A2-70	
603	57758610000	005	TOOTHED WASHER DIN 6797-A 4,3-FST	
610	60540603501	001	SWITCHING PLATE EURO (FROM DEVICE-NO. 1332927)	
	60540603600	001	SWITCHING PLATE VP63 (FROM DEVICE-NO. 1332927)	
	60540604001	001	SWITCHING PLATE UL/CSA (VP63)	
610-1	60540311200	001	CARRIER PLATE F. SWITCHON MOD.	
610-10	60545400103	001	LPB MAINS MODULE EURO A400	
	60545401102	001	LPB POWER PACK MODULE UL A400	
610-10-17	71451450000	001	MICROFUSE 0.8T TR5 UL 19374K	
610-10-28	60546103900	001	LE SL MAINS MODULE A 400	
610-10-30	60544807101	001	PLATE FOR FUSE F3 0.8 AT	
610-11	71067290000	004	SPACER 6.35 LPR 8520	
610-20	71028440000	001	POWER PACK FILTER B84112 BB20 (EURO+VP63)	
	71028460000	001	MAINS LINE FILTER B 84112BB60 (UL/CSA)	
610-21	57758610000	002	TOOTHED WASHER DIN 6797-A 4,3-FST	

Text page <b>54</b>	<b>A 400 / A 400 FB</b>	Spare parts list No. <b>054.98.3.1013</b>	Series (code No.) <b>90.077</b>
------------------------	-------------------------	--	------------------------------------

Number in drawing X	Order number X	Piece X	Designation X	from status onwards X
610-22	56805420000	002	OVAL-HEAD SCREW DIN 7985-M4X8-4.8 (UL/CSA)	
	56806450000	002	OVAL-HEAD SCREW DIN 7985-M4X8-T20-A2-70 (EURO+VP63)	
610-31	57758610000	002	TOOTHED WASHER DIN 6797-A 4,3-FST	
610-32	56739040000	001	WASHER DIN 125-A 4.3-A2-70	
610-33	56805430000	001	OVAL-HEAD SCREW DIN 7985-M4X10-5.8 (UL/CSA)	
	56806450000	001	OVAL-HEAD SCREW DIN 7985-M4X8-T20-A2-70 (EURO)	
611	56818440000	005	SELF-TAPP.SCREW DIN 7500-CM4X12-T20-ST	
612	56739040000	005	WASHER DIN 125-A 4.3-A2-70	
613	57758610000	006	TOOTHED WASHER DIN 6797-A 4,3-FST	
619	60544801800	001	LABEL THREE-PHASE CURRENT 230V	
620	40110047400	001	POWER LEAD EXPORT (A)	
	40110047600	001	POWER LEAD GB (B)	
	40300057700	001	POWER CONNECTING CABLE USA,CAN (C)	
	60476200102	001	POWER LEAD CEKON CURVED CONNECTOR (D)	
	60476200502	001	POWER CABLE CEKON 5M (E)	
	60536210500	001	POWER CABLE WITHOUT PLUG 3-PHASE A330 WA (F)	
	60546107500	001	MAINS CABLE (G)	
	60736200100	001	ARMOURED MAINS CABLE AC EURO L2.5M (H)	
620-3	71473070000	001	PCE ANGLE. POL. CONVERTER 5POL.7415	
621	60540600700	001	POWER CONNECTION A400 EURO AC	
	60540600900	001	POWER CONNECTION A400 EURO	
	60540602900	001	POWER CONNECT. A 400 +VP63	
621-1	60540601100	001	ANGLE FOR FUSE	
621-3	71010630000	001	CABLE GLAND PG13.5 UL53015030 (EURO+EURO AC)	
	71010850000	001	CABLE GLAND M20X1.5 UL 53111020 (VP 63)	
621-5	71161130000	001	NUT M PG 13.5 (EURO+EURO AC)	
	71161180000	001	NUT GMP-GL M20 (VP 63)	

4

Bitte unbedingt 11-stellige **Bestell-Nr.** angeben • Please always indicate 11 digit **Order No.** • Absolutement nécessaire d'indiquer **No. de commande**  
(11 chiffres) • Favorisca specificarci sempre il **N. di ordine** a 11 cifre • Es imprescindible que citen el **No. de pedido** (11 guarismos)

Amendment: 07/2012

Series (code No.) <b>90.077</b>	Spare parts list No. <b>054.98.3.1013</b>	<b>A 400 / A 400 FB</b>	Text page <b>55</b>
------------------------------------	--	-------------------------	------------------------

Number in drawing X	Order number X	Piece X	Designation X	from status onwards X
621-7	60380315801	001	RUBBER BUSH W. DRILL. HOLES (EURO+EURO AC)	
	60820315800	001	RUBBER BUSH WITHOUT DRILLING (VP 63)	
621-9	71454090000	002	FUSE HOLDER 1693FEU	
621-11	71235210000	002	LOCKING CAP 166FEK	
621-19	57736120000	002	SOCKET HEAD SCREW DIN 912-M6X12-8.8	
621-21	57767060000	002	SPR. LOCK WASHER DIN 128-A6-FST	
621-23	71004360000	002	CABLE TIE T 50 R	
622	60540600800	001	POWER CONNECTION A400 UL/CSA	
622-1	60540601100	001	ANGLE FOR FUSE	
622-3	71010630000	001	CABLE GLAND PG13.5 UL53015030	
622-5	71161130000	001	NUT M PG 13.5	
622-7	60380315801	001	RUBBER BUSH W. DRILL. HOLES	
622-9	71454090000	002	FUSE HOLDER 1693FEU	
622-11	71235220000	002	FUSE CAP	
622-19	57736120000	002	SOCKET HEAD SCREW DIN 912-M6X12-8.8	
622-21	57767060000	002	SPR. LOCK WASHER DIN 128-A6-FST	
622-23	71004360000	002	CABLE TIE T 50 R	
630	60546000101	001	TOROIDAL TRANSFORMER EURO A400 (UP TO DEVICE-NO. 1332926)	
	60546000104	001	TOROIDAL TRANSFORMER EURO A400 (FROM DEVICE-NO. 1332927)	
	60546000201	001	TOROIDAL TRANSFORMER UL/CSA A400 (UP TO DEVICE-NO. 1332926)	
	60546000202	001	TOROIDAL TRANSFORMER UL/CSA A400 (FROM DEVICE-NO. 1332927)	
631	56807500000	001	OVAL-HEAD SCREW DIN 7985-M6X50-5.8	
632	56739060000	001	WASHER DIN 125-A 6,4-A2-70	
633	57767060000	001	SPR. LOCK WASHER DIN 128-A6-FST	
634	56805430000	001	OVAL-HEAD SCREW DIN 7985-M4X10-5.8	
635	57758610000	002	TOOTHED WASHER DIN 6797-A 4,3-FST	
636	56739040000	001	WASHER DIN 125-A 4.3-A2-70	
640	60545700102	001	LPB BACKPLANE F5 A400 (UP TO DEVICE-NO. 1332926)	
	60545700104	001	LPB BACKPLANE FRA A400 (FRA, UP TO DEVICE-NO. 1332926)	
	60545700113	001	LPB BACKPLANE A400 (DEVICE-NO. 1332927 - 10511169)	
	<a href="#">60545730100</a>	001	LPB BACKPLANE A400 GEN2 (FROM DEVICE-NO. 10516522)	
640-70	71452550000	001	MICROFUSE 4.0 T TR 5 UL 19374K	
650	60545200109	001	LPB POWER PART A400 (UP TO DEVICE-NO. 1332926)	
	60545200118	001	LPB POWER PART A 400 (DEVICE-NO. 1332927 - 10511169)	
	60545220108	001	PCBA POWER PACK GENERATION 2 A400 (FROM DEVICE-NO. 10516522)	

Text page <b>56</b>	<b>A 400 / A 400 FB</b>	Spare parts list No. <b>054.98.3.1013</b>	Series (code No.) <b>90.077</b>
------------------------	-------------------------	--	------------------------------------

Number in drawing X	Order number X	Piece X	Designation X	from status onwards X
660	60545000108	001	LPB CPU DRIVE A400 (UP TO DEVICE-NO. 1332926)	
	60545000113	001	LPB CPU DRIVE A400 (DEVICE-NO. 1332927 - 1742199)	
	60545000114	001	LPB CPU DRIVE FROM DEVICE-NO.1742200 (DEVICE-NO. 1742200 - 10511169)	
	60547030106	001	PROGR. AND PCBA CPU-DRIVE A400 GEN2 (FROM DEVICE-NO. 10516522)	
	60547070100	001	PROG.+LPB CPU DRIVE LP GEN2 (WITH OUTPUT ON PACKAGING MACHINE+LP)	
	60547090102	001	PROGR. AND PCBA DRIVE A400-MULTIVAC	
660-3-440	71451440000	001	MICROFUSE 0.8T TR5 UL 19372K (DEVICE-NO. 1332927 - 10511169)	
	71452600000	001	MICROFUSE 1.25T TR5 UL 19374K (DEVICE-NO. 1332927 - 10511169)	
	71452610000	001	MICROFUSE 1.25T TR5 (FROM DEVICE-NO. 10516522)	
660-3-490	60544807400	001	PLATE FOR FUSE F5 0.8AT EURO	
	60544807501	001	PLATE FOR FUSE F5 1,25AT	
670	71451290000	001	FUSE T3.15 DIN 41662	
	71451530000	001	FUSE ELEMENT T 4.0A	
	71451600000	001	FUSE T6.3	
	71452320000	001	FUSE ELEMENT 3.2 T UL NO. 19343	
680	71452100000	001	FUSE ELEMENT 10 AT UL NO. 19181	
	71452490000	001	FUSE 15 M UL 314015	
681	60544802103	001	PLATE FOR FUSE F1+F2 (F1: 4,0 AT; F2:10 AT)	
	60544802104	001	PLATE FOR FUSE F1+F2 15M UL314015 (F1: 6,3 AT; F2:10 AT)	
	60544802202	001	PLATE FOR FUSE UL/CSA (F1: 3,2 AT; F2:15 AM)	
	60544802300	001	PLATE FOR FUSE (F1: 3,15 AT; F2:10 AT)	
690	71451340000	001	MICROFUSE G TR5 T4,0	
	71451350000	001	MICROFUSE 0.5T TR5	
	71451450000	001	MICROFUSE 0.8T TR5 UL 19374K	
	71452550000	001	MICROFUSE 4.0 T TR 5 UL 19374K	
691	60544807201	001	PLATE FOR FUSE F4 4.0AT	
	60544807300	001	PLATE FOR FUSE F4 0.8AT UL	
700	60804801200	001	REFERENCE PLATE "SHARPEN AND LUBE DAILY"	
701	60804803400	001	REFERENCE PLATE "AIGUISAGE ET LUBRIFIC."	

4

Bitte unbedingt 11-stellige **Bestell-Nr.** angeben • Please always indicate 11 digit **Order No.** • Absolutement nécessaire d'indiquer **No. de commande**  
(11 chiffres) • Favorisca specificarci sempre il **N. di ordine** a 11 cifre • Es imprescindible que citen el **No. de pedido** (11 guarismos)

Amendment: 07/2012

Series (code No.) <b>90.077</b>	Spare parts list No. <b>054.98.3.1013</b>	<b>A 400 / A 400 FB</b>	Text page <b>57</b>
------------------------------------	--	-------------------------	------------------------

Number in drawing X	Order number X	Piece X	Designation X	from status onwards X
711	60265500101	001	LPB PACKAGING MACHINE VS8D (A)	
	60545930100	001	LPB INTERLEAV. A400 A400+INTL. (B)	
	60605900101	001	LPB INTERF. TO A400 LP (C)	
	60545350150	001	PCBA MULTIVAC INTERFACE A400 (D)	
712	56805750000	002	OVAL-HEAD SCREW DIN 7985-M4X12-T20-5.8	
	71067290000	004	SPACER 6.35 LPR 8520 (MULTIVAC)	
713	56739040000	002	WASHER DIN 125-A 4.3-A2-70	
	57429100000	002	HEXAGON SCREW DIN 933-M4X10-A2-70 (MULTIVAC)	
714	00111300327	002	SPACER RING 4.2X 8X5	
	57767040000	002	SPR. LOCK WASHER DIN 128-A4-FST (MULTIVAC)	
715	60546102500	001	CABLE PACKING MACHINE/BACKPLANE (A)	
	60546106001	001	CA.INTERF. INTERL.A400+INTL. (B)	
	60606100100	001	CA.INTERF.LP LP (C)	
	60606100200	001	CABLE INTERFACE BACKPLANE IN A400 (D)	
716	60541054000	001	HOLDER	
717	60546106500	001	CA.PASS THROUGH PHOTOSENS. A400-MULTIVAC	
718	60546106600	001	CA. 8POL.200MM ROUND CON. A400-MULTIVAC	
719	71162160000	001	NUT M16X1.5	
720	71066070000	001	SCREW PLUG N PG 7 DIN 46320	
750	60540920700	001	HOLDER	
752	60540271900	002	MAGNET VACODYM370WZ, ROUND 10X4	
754	57429100000	001	HEXAGON SCREW DIN 933-M4X10-A2-70	
756	60540920800	001	ANGLE PLATE	
758	57767060000	002	SPR. LOCK WASHER DIN 128-A6-FST	
760	57743440000	002	SOCKET HEAD SCREW DIN 912-M6X25-A2-70	
	71130310000	001	TERMINAL STRIP MK 3/3	
762	60546410100	001	SENSOR COMPL. LENGTH=900 A400	
764	71169050000	001	CABLE CLIP HP-5N	
770	60545420100	001	LPB DEACTIVATION CHAIN A400 FRA	
772	56739040000	002	WASHER DIN 125-A 4.3-A2-70	
774	56805410000	002	OVAL-HEAD SCREW DIN 7985-M4X6-5.8	
780	60540920601	001	MOTOR PEDESTAL FRA FOR CHAIN FRAME DRIVE	
790	60546105000	001	CABLE DEACTIVATION X3 RVDR A400 FRA	
792	60546105100	001	CABLE DEACTIVA.NETWORK MOD. A400 FRA	
794	60546105200	001	STRAND DEACTIV. CHAIN FRAME A400 FRA	

Text page <b>58</b>	<b>A 400 / A 400 FB</b>	Spare parts list No. <b>054.98.3.1013</b>	Series (code No.) <b>90.077</b>
------------------------	-------------------------	--	------------------------------------

Number in drawing	Order number	Piece	Designation	from status onwards
X	X	X	X	X
796	60541055100	001	GUARD PLATE	
797	60541055200	002	SPACER DISK	
798	57767050000	002	SPR. LOCK WASHER DIN 128-A5-FST	
799	57430200000	002	HEXAGON SCREW DIN 933-M5X20-A2-70	
800	38013504000	001	AUXILIARY CONTACTS 1C/1O	
801	38013506000	001	CONTACTOR 24V / DC	
802	57730160000	002	OVAL-HEAD SCREW DIN 7985-M4X20-T20-A2-70	
803	56739040000	002	WASHER DIN 125-A 4.3-A2-70	
804	57767040000	002	SPR. LOCK WASHER DIN 128-A4-FST	
805	56456400000	002	HEXAGON NUT DIN 934-M4-A2-70	
9901 (V)	60530106000	001	BLADE 330 MM DIAMETER	
	94001000013	001	BLADE, 4-HOLE, VS8/SE8/VF330/A330/A400 RA	
	94001000014	001	BLADE, 4-HOLE, VS8/SE8/VF330/A400 G+B	
	94001000017	001	BLADE CHEESE, VS8/SE8/VF330/A330 G+B.	
	94001000027	001	BLADE-STAINLESS,4-HOLE, 330D G&B	
	94001000047	001	BLADE 330 C	
	94001000051	001	BREAD BLADE COATED TEETHED	
9905	60223300300	001	SHIELD COMPL.	
9910	60544620500	001	COVER	
9911	60544620600	001	LOCKING DEVICE	
9912	57767040000	001	SPR. LOCK WASHER DIN 128-A4-FST	
9913	57429120000	001	HEXAGON SCREW DIN 933-M4X12-A-70	
9942	60540400900	001	DEPOSITING PLATE	
9950	60540507400	001	CLAMP HANDLE, PREASSEMBLED	
9964	60540135101	001	POT.A400 (NEW) CABLE THICKNESS	
9975	94008900005	001	CARBON BRUSH K17 5X8X18	
9987	89953190000	001	MEASURING CABLE FOR AUTOM.	
9988	89953580000	001	PLUG CONNECTOR FOR TEST ADAPT. MAGN.SEN	
9996	60549860002	001	ATTACHM. INSTRUCT. PANEL DEU BOTTOM	
	60549861002	001	ATTACHM. INSTRUCT. PANEL ENGL BOTTOM	
	60549862002	001	ATTACHM. INSTRUCT.PANEL FRA BOTTOM	
	60549863002	001	ATTACHM. INSTRUCT.PANEL ITA BOTTOM	
	60549864002	001	ATTACHM. INSTRUCT. PANEL ESP BOTTOM	
9997	60360313203	001	FOOT COMPL.	
9998	60544700200	001	SPACER FOR A 4000	