

Spare parts list

GSP HD 33 / GSP HDC 33



Bizerba SE & Co. KG

Business Services

STS-T, Didactics & Documentation

Wilhelm-Kraut-Straße 65

72336 Balingen

T +49 7433 12-0

F +49 7433 12-2696

service@bizerba.com

www.bizerba.com

Contents

8	Machine overview
12	Approval
14	Cables
16	Blade type
20	blade removal device compl.
22	Carriage inclination / carriage height, handhold
32	carriage foot cpl 18L
34	carriage foot cpl 18L C
36	Carriage foot cpl. 25L
38	Carriage foot cpl. 25L C
40	CARRIAGE FOOT CPL 25H
42	CARRIAGE FOOT CPL 25H C
	Carriage version, handhold
44	Carriage overview
46	Carriage 25°, alu welded, 1pc, L=90 mm
58	Carriage cpl 25Alu 1pc 90L
60	Slider Protection and Lever
62	Lever preassembled
64	Carriage cpl 25Alu 1pc 90L C
66	Slider Protection and Lever C
68	Lever preassembled C
70	Carriage cpl 25Alu 1pc 90L nh
72	Slider Protection and Lever
74	Lever preassembled
76	Carriage cpl 25Alu 1pc 90L nh C
78	Slider Protection and Lever C
80	Lever preassembled C
82	Carriage 25°, alu welded or transparent, L=150 mm
94	Carriage cpl 25Alu 1pc 150L
96	Slider Protection and Lever
98	Lever preassembled
100	Carriage cpl 25Alu 1pc 150L C
102	Slider Protection and Lever C
104	Lever preassembled C
106	Carriage cpl 25Alu 1pc 150L nh
108	Slider Protection and Lever
110	Lever preassembled
112	Carriage cpl 25Alu 1pc 150L nh C
114	Slider Protection and Lever C
116	Lever preassembled C
118	Carriage 25°, alu welded or transparent, L=321 mm
124	Carriage cpl 25Alu 1pc 321L CE
126	Slider Protection and Lever
128	Lever preassembled
130	Carriage cpl 25Alu 1pc 321L CE C
132	Slider Protection and Lever C

Contents

134	Lever preassembled C
136	Carriage 18°, Standard or clamping carriage, L=150 mm
154	Handle with cap black
156	Slider protection and lever
158	Lever preassembled
160	Lever extension preassembled
162	Slider protection and lever C
164	Lever preassembled C
166	Lever extension preassembled
168	Lever preassembled
170	Lever preassembled C
172	Handhold
174	Handle with cap black
176	Remnant holder
178	Remnant holder peaks below bolt 6 mm
180	Remnant holder peaks below black cpl.
182	Remnant holder with peaks and bolt 6 mm
184	Ease of cleaning/installation
190	Machine housing - Standard, BR
192	Blade cover
198	Blade guard ring and deflector
206	Spacer preassembled
208	Spacer preassembled C
210	Gauge plate
	Basic components GSP HD - Standard and Illumination
212	Assembly overview
214	Machine housing, blade bearing preass., belt pulley and accessories
216	Blade bearing preass.
218	Blade bearing preass.
220	Blade bearing preass.
222	Motor fastening and belt tension
224	Rotary knob and load arm
228	Rotary knob cpl.
230	BEARING BRACKET PREASSY.
232	Bearing bracket preass.
234	Carriage guide, sensor support, rail, angle and locking slider
236	Carriage guide cpl. HD
238	Carriage guide preass 330 multi
240	Roller support preassembled
242	Carriage shaft preass.
244	Carriage guide
248	Carriage guide cpl. HD
250	Carriage guide preass 330 multi
252	Roller support preassembled
254	Carriage shaft preass.
256	Carriage guide preass 330 multi

Contents

258	Roller support preassembled
260	Carriage shaft preass.
262	Roller support preassembled
264	Bearing bracket, preass.
266	BEARING BRACKET PREASSY.
268	Bearing bracket preass.
270	Housing preass., electronics, cooling plate
274	Fastening carriage drive, guide rail, rubber foot
276	Bottom plate and accessories
278	Bottom plate and accessories
280	Basic components GSP HD BR
282	Assembly overview
284	Machine housing, blade bearing preass., belt pulley and accessories
286	Blade bearing preass.
288	Off/emergency - switch red yellow, push button emergency stop
290	Motor fastening and belt tension
292	Rotary knob and load arm
296	Rotary knob cpl.
298	BEARING BRACKET PREASSY.
300	Bearing bracket preass.
302	Carriage guide, sensor support, rail, angle and locking slider
304	Carriage guide cpl. HD
306	Carriage guide preass 330 multi
308	Roller support preassembled
310	Carriage shaft preass.
312	Bottom plate and accessories
314	Housing preass. - BR
318	Electronic and cables
320	Fastening carriage drive, rubber foot
322	Assembly overview
324	Machine housing, blade bearing preass., belt pulley and accessories
326	Blade bearing preass.
328	Off/emergency - switch red yellow, push button emergency stop
330	Motor fastening and belt tension
332	Rotary knob and load arm
336	Rotary knob cpl.
338	BEARING BRACKET PREASSY.
340	Bearing bracket preass.
342	Basic components GSP HD BR
344	Assembly overview
346	Machine housing, blade bearing preass., belt pulley and accessories
348	Blade bearing preass.
350	Off/emergency - switch red yellow, push button emergency stop
352	Motor fastening and belt tension
354	Rotary knob and load arm
358	Rotary knob cpl.

Contents

360	BEARING BRACKET PREASSY.
362	Bearing bracket preass.
364	Carriage guide, sensor support, rail, angle and locking slider
366	Carriage guide cpl. HD
368	Carriage guide preass 330 multi
370	Roller support preassembled
372	Carriage shaft preass.
374	Bottom plate and accessories
376	Housing preass. - BR
380	Electronic and cables
382	Fastening carriage drive, rubber foot
384	Circuit - Standard, Illumination, Brazil
386	Nameplate
	Grinder NSF
388	Overview
390	Grinder GSP 330 cpl. 18/25 High
392	UVV Sharpener preass. GSP
394	Grinder GSP 330 cpl. 18/25 Low
396	UVV Sharpener preass. GSP
398	Grinder NSF compl., 18H 25H, with or without sharpening limiter
400	Grinder GSP 330 cpl. 18/25 High
402	UVV Sharpener preass. GSP
404	UVV Sharpener preass. GSP
406	Grinder, preass. UVV
408	UVV Sharpener preass. GSP
410	Grinder NSF compl., 18L / 25L, with or without sharpening limiter
412	Grinder GSP 330 cpl. 18/25 Low
414	UVV Sharpener preass. GSP
416	UVV Sharpener preass. GSP
418	Accessories Kit - Paper felt, adhesive, lubricant
420	Accessories Kit for manually Slicer
422	Packaging
424	Carriage drive - with or without electr. insulated
430	Mini-assembly spacer 42mm
432	Bearing 3 complete
434	Product fixation
436	Overview
438	Vegetable chute 333 and pusher packed
440	Tomato loading device elox 70mm
442	Ruler 70 mm cpl.
444	Remnant holder plate tomatoes guidance
446	Tomato loading device C 70mm
448	Ruler 70 mm cpl. C
450	Remnant holder plate tomatoes guidance
452	Ruler, compl., short (30x12x339 mm)
454	Product fixation, compl. (346 mm)

Contents

456	Vegetable chamber 333 and pusher
460	Vegetable chute 333 and pusher packed
462	VEGETABLE CHUTE 333
464	Ruler 70 mm compl.
466	Tomato loading device
472	Tomato loading device elox 70mm
474	Ruler 70 mm cpl.
476	Remnant holder plate tomatoes guidance
478	Tomato loading device C 70mm
480	Ruler 70 mm cpl. C
482	Remnant holder plate tomatoes guidance
484	Ruler, compl., long (30x12x345 mm) for 25L / 25H
486	Product fixation (Clamping carriage)
488	Fastening kit for product fixation
490	Fastening kit product fixation device
492	Country set - plates and deco foil

Machine overview

Precision slicer with power-driven carriage

GSP HD 33 / GSP HDC 33

Modular system

Blade diameter 330 mm

Carriage inclination 18 Low / 25 Low / 25 High

Standard



Illumination

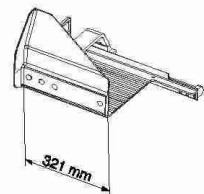
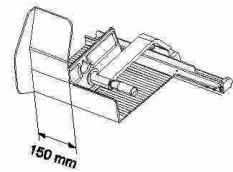
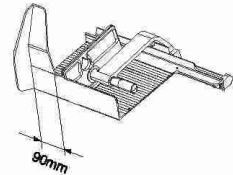


BR (Brazil)

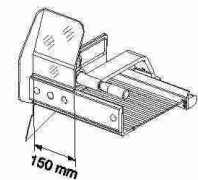


Carriage overview

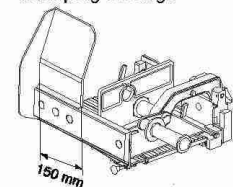
Carriage 25°



Carriage 18°



Clamping carriage



Machine overview

Item	Material No.	Qty	Material description
------	--------------	-----	----------------------

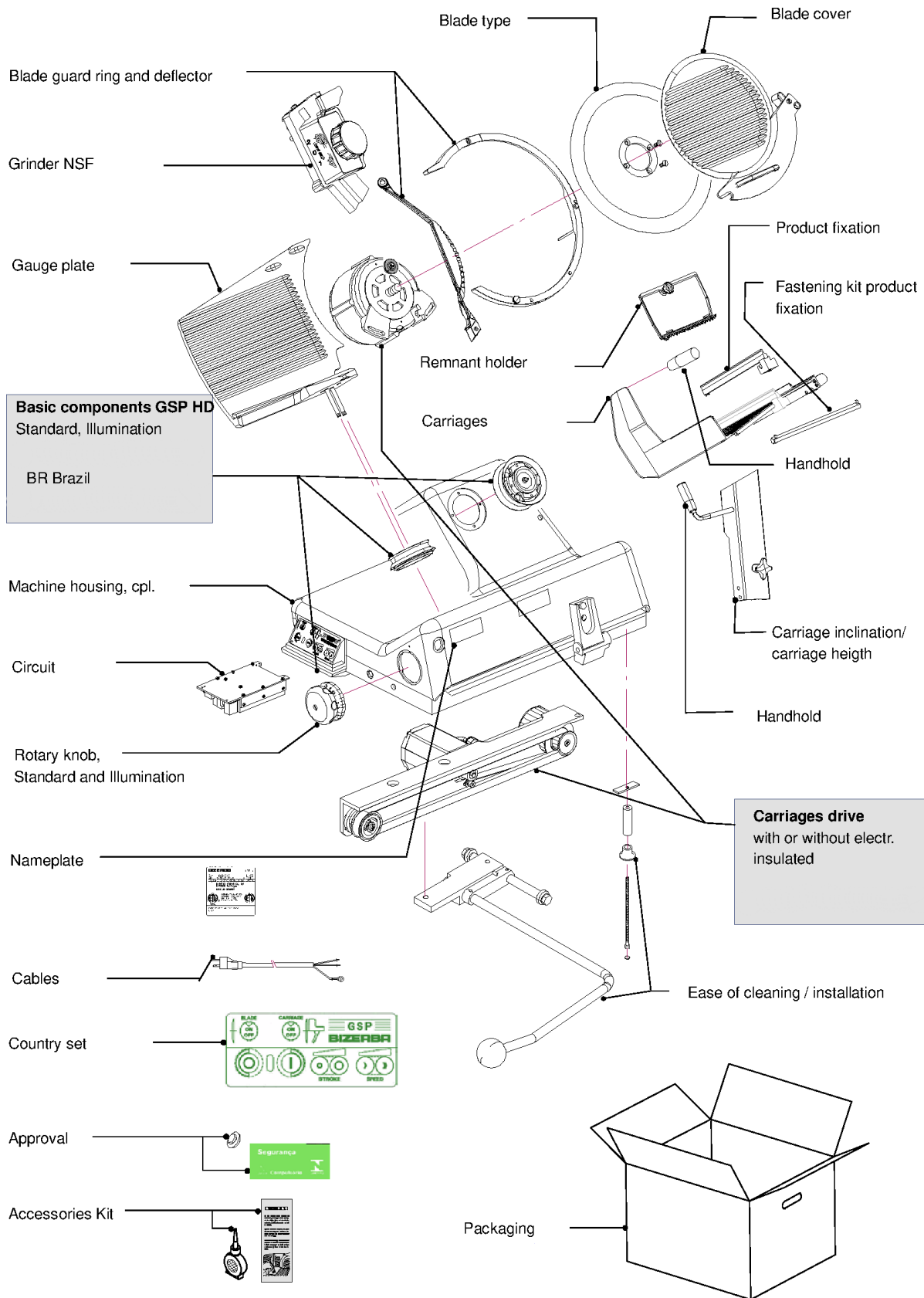
available for order

Wear part

Recomm. sp. part

Metr. relevance

Machine overview



Machine overview

Item	Material No.	Qty	Material description
------	--------------	-----	----------------------

available for order
Wear part
Recomm. sp. part
Metr. relevance

Approval



50-5

SW 4 M5



50-10

SW 5 M6

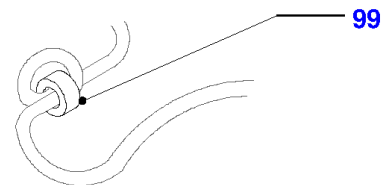
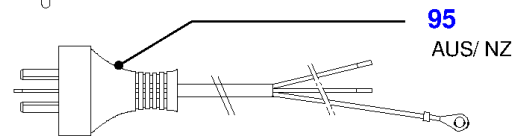
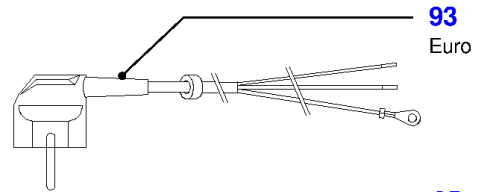
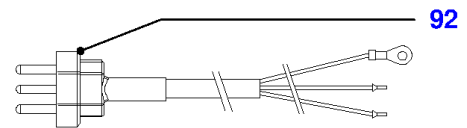
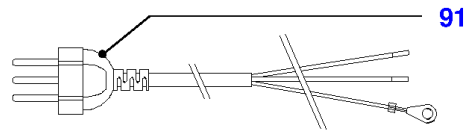
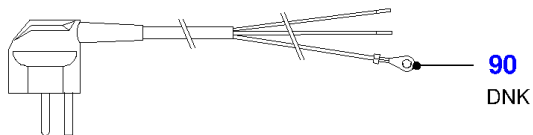
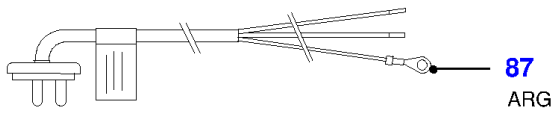
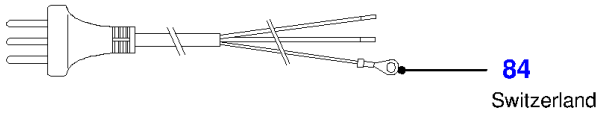
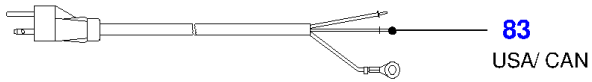
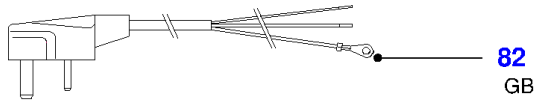
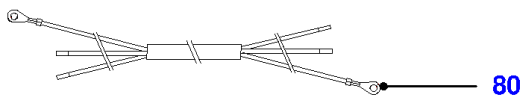


53












Approval

Item	Material No.	Qty	Material description	available for order	Wear part	Recomm. sp. part	Metr. relevance
50-5	57744860000	001	Protective plug 9x4,2x2,5-PE	✓		✓	
50-10	57744870000	007	Protective plug 10x5,2x3,1-PE	✓		✓	
53	38068506000	001	LABEL APPROVAL NCC SEGURANCA	✓			

Cables



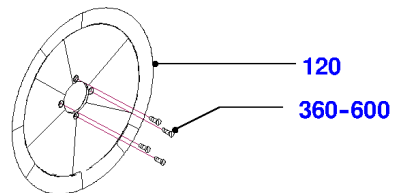
Cables

Item	Material No.	Qty	Material description	available for order	Wear part	Recomm. sp. part	Metr. relevance
80	00110038600	001	MAINS CABLE WITHOUT PLAG				
82	40110047600	001	Power Cable Plugtype G 3x1,00 BK 2,5m				
83	40300057700	001	POWER CONNECTING CABLE USA,CAN				
84	60266201000	001	Power Cable Plugtype J 3x1,00 GY 2,5m				
87	60386200100	001	Power Cable Plugtype I 3x1,00 GY 2,5m				
90	60806200200	001	MAINS CABLE WE DNK				
91	60376201000	001	Ka. Rd. 3G1,0 2,5m				
92	60376202000	001	Ka. Rd. 3G1,0qmm 2,5m				
93	60388008100	001	ARMOURED MAINS CABLE AC EURO L = 2.5M				
95	60836200600	001	POWER CORD AUS AND NZ				
99	71037490000	001	FERRIT RING 7427013				

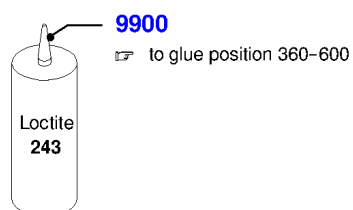
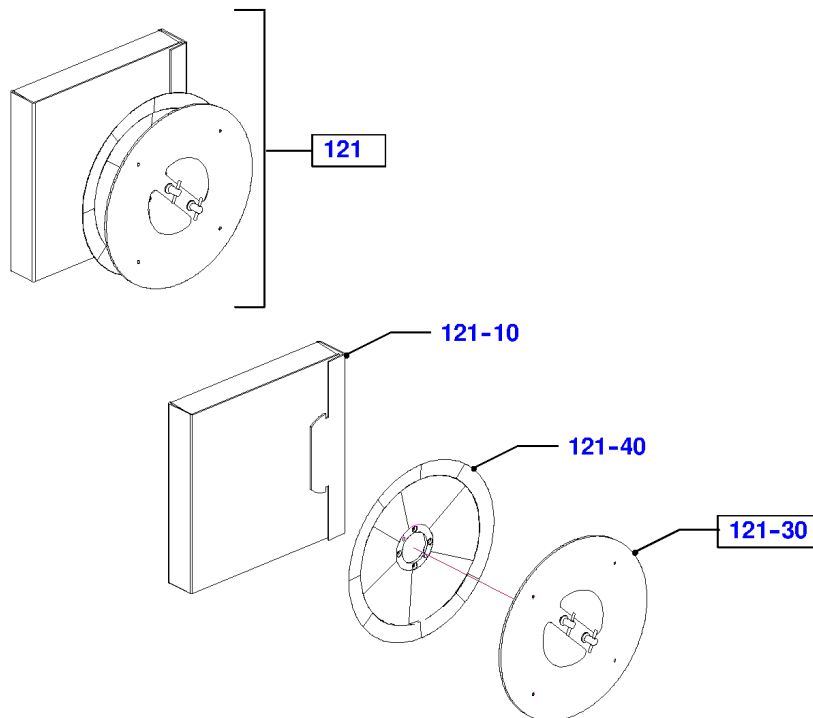
Blade type

Blade 330 Blade 330 with removal device

Blade 330



Blade 330 with removal device



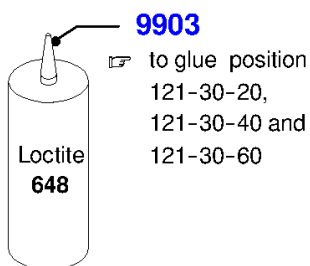
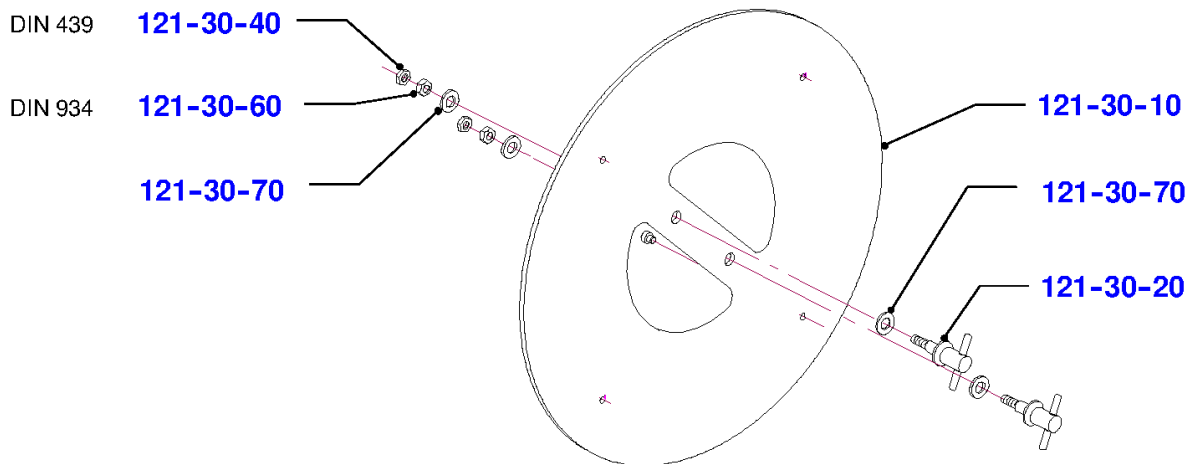
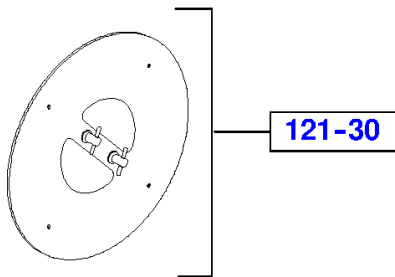
Blade type

Item	Material No.	Qty	Material description	available for order	Wear part	Recomm. sp. part	Metr. relevance
120	38067777000	001	BLADE 330 C SLAYER - SERVICE	✓			
120	94001000017	001	BLADE CHEESE, VS8/SE8/VF330/A330 G+B.	✓	✓	✓	
120	94001000013	001	BLADE, 4- HOLE, VS8/SE8/VF330/A330/A400 RA	✓	✓	✓	
120	94001000059	001	Bread blade 330 C teathed Service	✓	✓	✓	
121	60378012800	001	BLADE 330 WITH REMOVAL DEVICE	✓			
121-10	38027264000	001	packaging blade removal unit	✓			
121-30	38025720000	001	blade removal device compl.	✓			
121-40	60530106000	001	Blade 330 Cr 2xM6 G&B	✓	✓	✓	
360-600	57630620000	004	Countersunk screw DIN963 M6x12-A2-70	✓			
9900	95972940000	001	LOCTITE 243 10ML	✓			








Blade type

Blade with removal device compl.

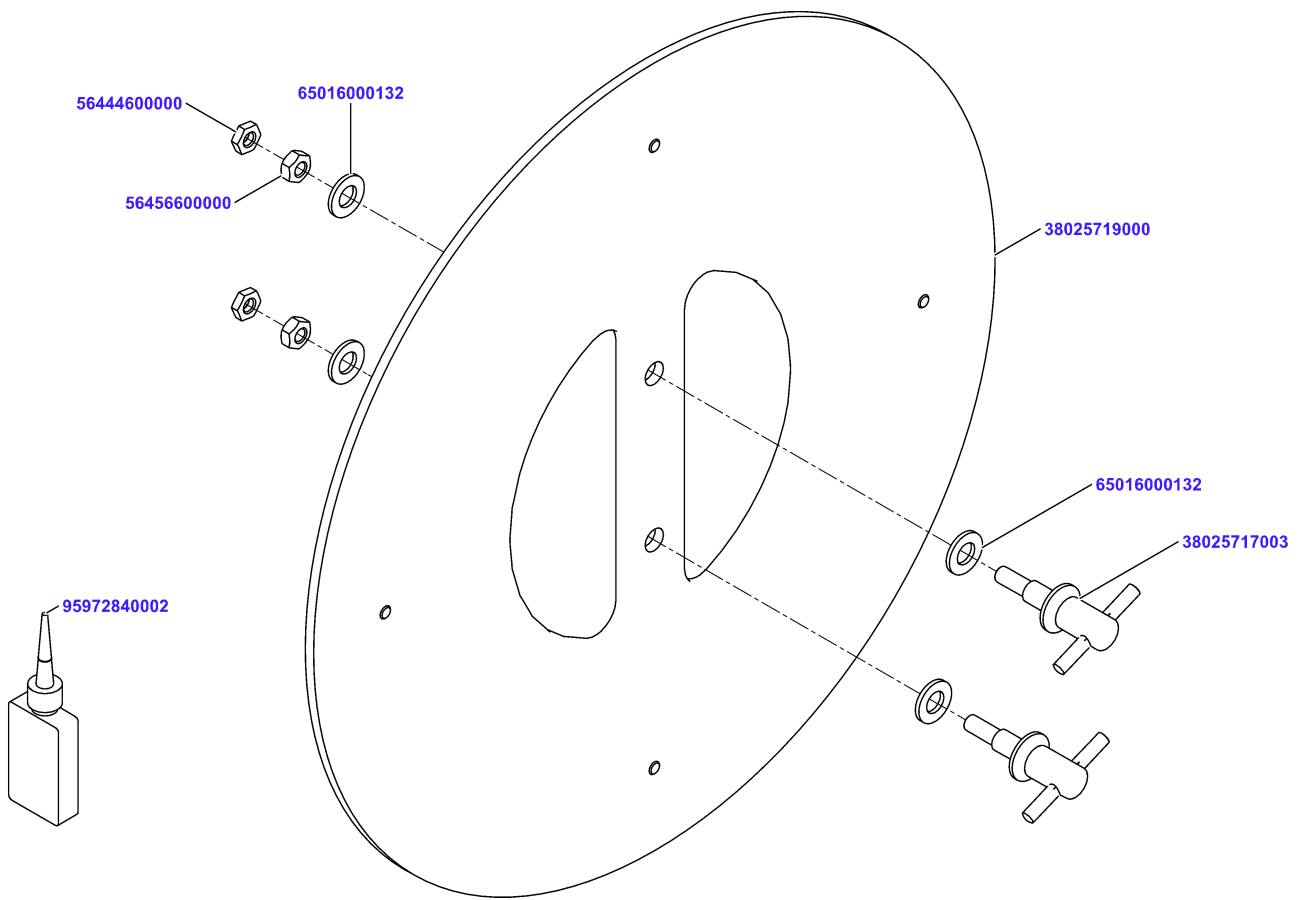
Blade with removal device compl.



Blade type

Item	Material No.	Qty	Material description	available for order	Wear part	Recomm. sp. part	Metr. relevance
121-30	38025720000	001	blade removal device compl.				
121-30-10	38025719000	001	safety disk pre assembled				
121-30-20	38025717000	002	BLADE REMOVING BOLT PREASSEMBLED				
121-30-40	56444600000	002	Hexagon Nut DIN 439-BM6-A2-70				
121-30-60	56456600000	002	Hexagon nut DIN934-M6-A2				
121-30-70	65016000132	004	Washer DIN125-A-8-PA6				
9903	95972840000	001	LOCTITE 648 10M				

blade removal device compl.

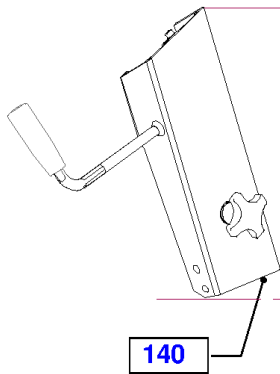


blade removal device compl.

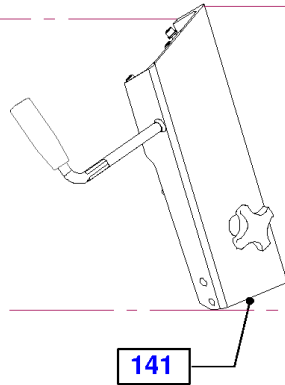
Material No.	Qty	Material description	available for order	Wear part	Recomm. sp. part	Metr. relevance
38025719000	1	safety disk pre assembled				
38025717003	2	Blade Removing Bolt preassembled				
95972840002	0,002	Kleber Loctite 648 10ml. 95972840002_I				
56444600000	2	Hexagon Nut DIN 439-BM6-A2-70				
95972840002	0,002	Kleber Loctite 648 10ml. 95972840002_I				
56456600000	2	Hexagon nut DIN934-M6-A2				
65016000132	4	Washer DIN125-A-8-PA6				

Carriage inclination / carriage height, handhold

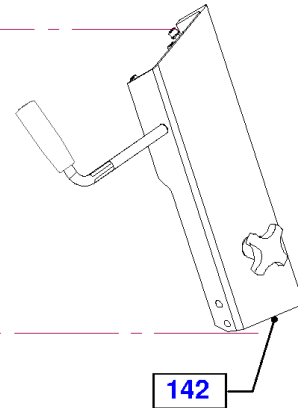
Carriage foot 18°, Low



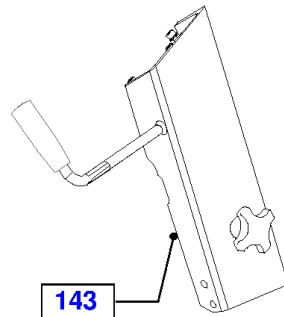
Carriage foot 25°, Low



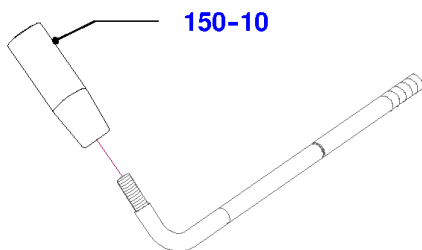
Carriage foot 25°, High












Carriage foot 25°, Low BR



Handhold



Carriage inclination / carriage heigth, handhold

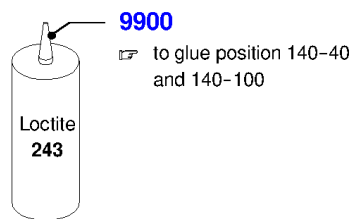
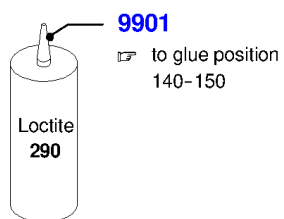
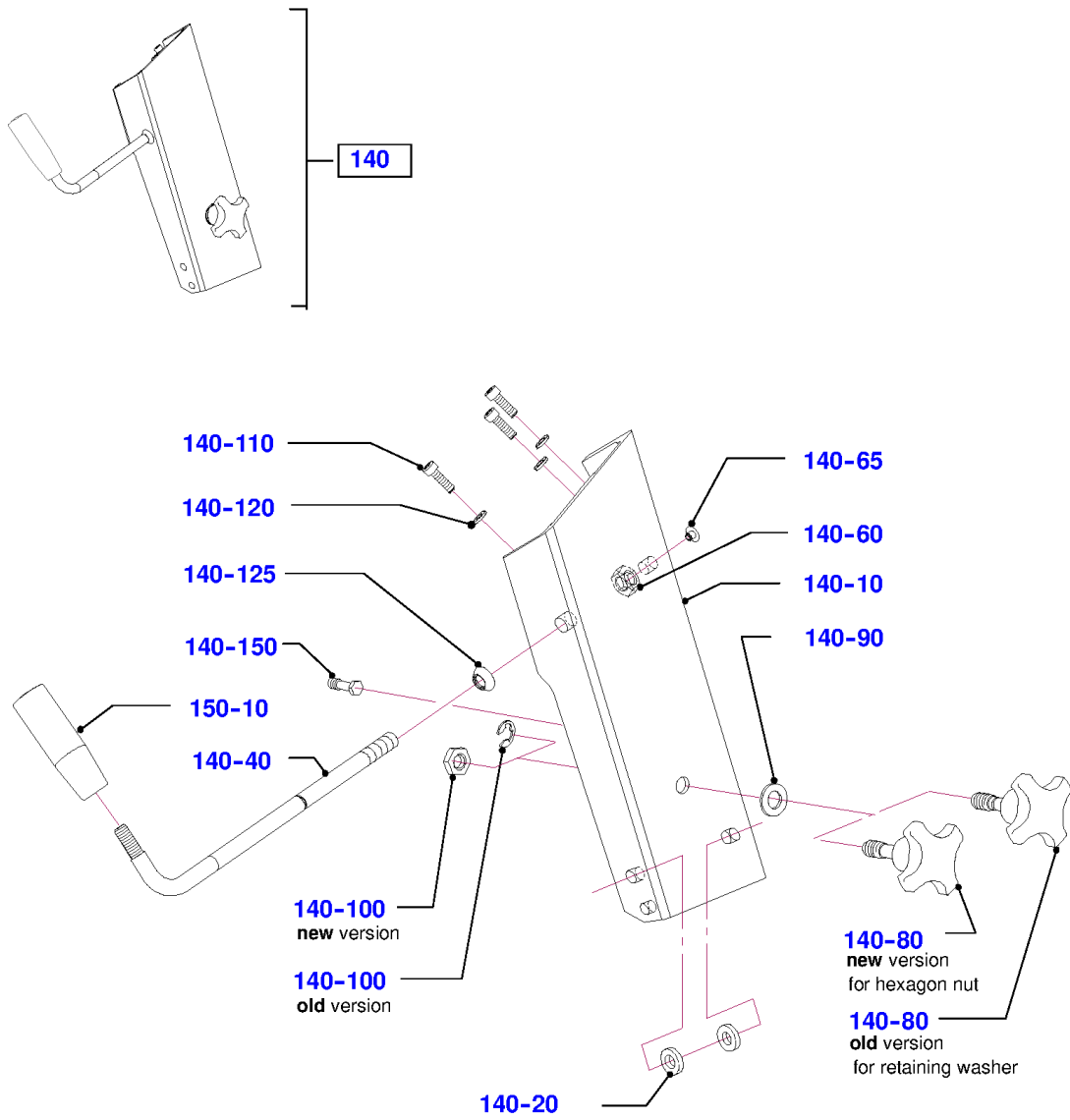
Item	Material No.	Qty	Material description	available for order	Wear part	Recomm. sp. part	Metr. relevance
140	60378014302	001	carriage foot cpl 18L				
140	60378014402	001	carriage foot cpl 18L C				
141	60378014502	001	Carriage foot cpl. 25L				
141	60378014602	001	Carriage foot cpl. 25L C				
142	60378014702	001	CARRIAGE FOOT CPL 25H				
142	60378014802	001	CARRIAGE FOOT CPL 25H C				
143	60378014901	001	CARRIAGE FOOT CPL 25L BR				
150-10	38049770000	001	Handhold 27,5x89,5 M10x35 PA green				
150-10	60370303700	001	Handhold 27,5x89,5 M10x35 PA black				

Carriage inclination / carriage height, handhold

Carriage foot, compl. 18°, Low

Carriage foot, compl. 18°, Low

- old version with retaining washer
- new version with hexagon nut



Carriage inclination / carriage height, handhold

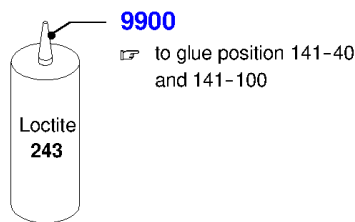
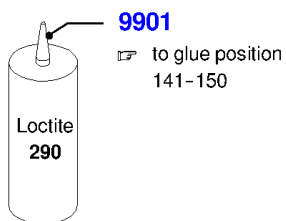
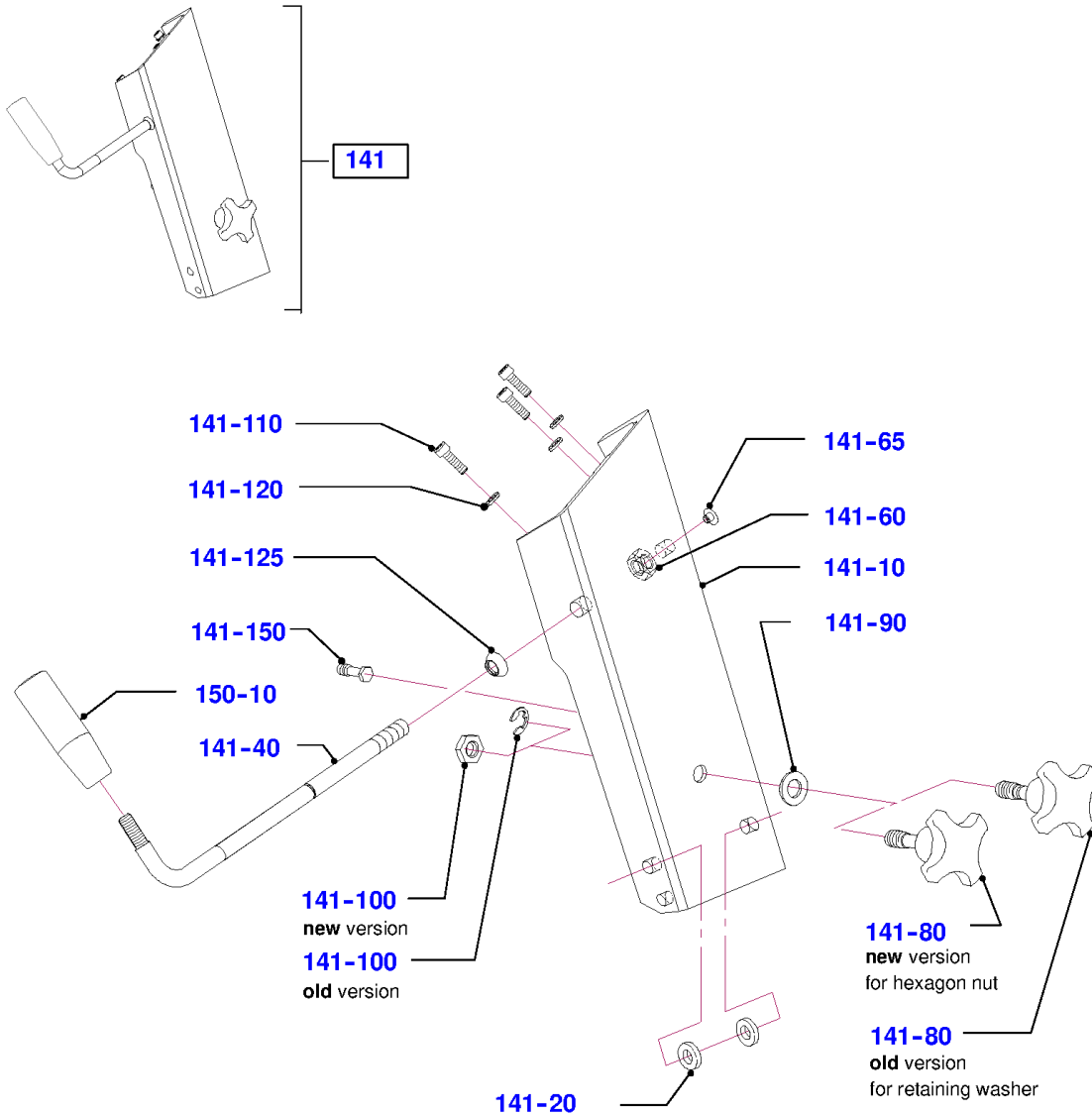
Item	Material No.	Qty	Material description	available for order	Wear part	Recomm. sp. part	Metr. relevance
140	60378014302	001	carriage foot cpl 18L	✓			
140	60378014402	001	carriage foot cpl 18L C	✓			
140-10	38009999000	001	Carriage foot machined 18 low	✓			
140-10	38018044000	001	Carriage foot machined 18 low C	✓			
140-20	60370504100	002	Washer 20x10,2x4	✓			
140-40	38008544000	001	Handlebar 67x260x12	✓			
140-60	56456830000	001	Hexagon Nut DIN 934-M12-A2-70	✓			
140-65	57744880000	001	Protective plug 13x6,2x4-PE	✓		✓	
140-80	38011691001	001	star knob with bolt long	✓			
140-80	38011691000	001	STAR KNOB K63 LONG CPL. (OLD VERSION FOR RETAINING WASHER)	✓			
140-90	56768100000	001	Washer DIN125-A-12-PA66	✓			
140-100	57753800000	001	Retaining Washer DIN 6799-8-1.41	✓			
140-100	56472120000	001	Hexagon nut DIN439-M12-A2	✓			
140-110	57743430000	003	Cylinder screw DIN 912-M6x20-A2-70	✓			
140-120	56739060000	003	Washer DIN125-A-6-A2	✓			
140-125	60370104911	001	Sealing	✓		✓	
140-150	38043601000	001	bolt NSF	✓			
150-10	38049770000	001	Handhold 27,5x89,5 M10x35 PA green	✓			
150-10	60370303700	001	Handhold 27,5x89,5 M10x35 PA black	✓			
9900	95972940000	001	LOCTITE 243 10ML	✓			
9901	95972990002	010	Loctite 290	✓			

Carriage inclination / carriage height, handhold

Carriage foot, compl., 25°, Low

Carriage foot, compl., 25°, Low

- old version with retaining washer
- new version with hexagon nut



Carriage inclination / carriage height, handhold

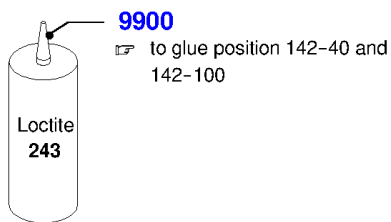
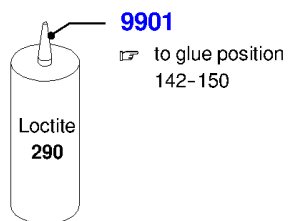
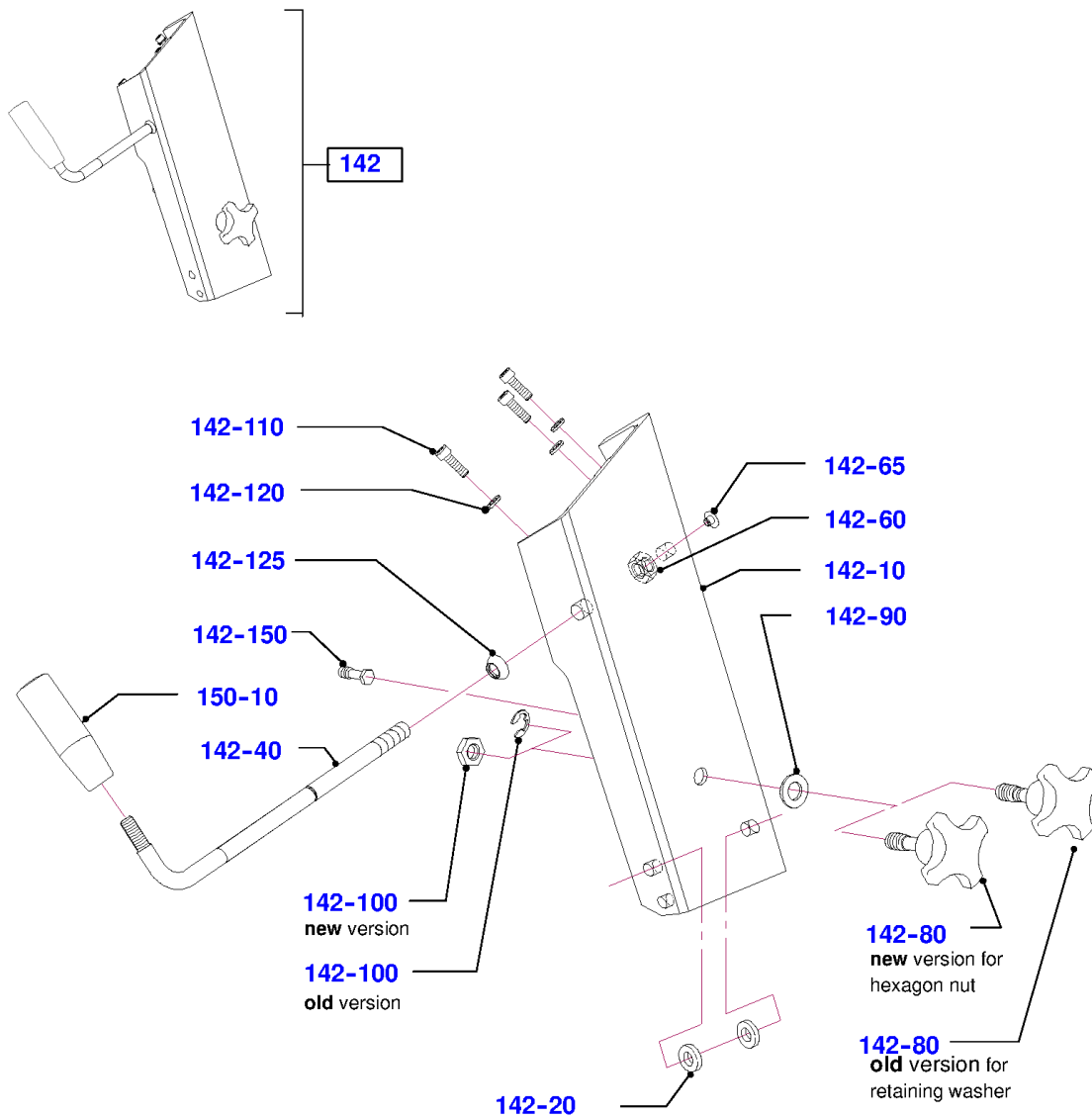
Item	Material No.	Qty	Material description	available for order	Wear part	Recomm. sp. part	Metr. relevance
141	60378014502	001	Carriage foot cpl. 25L	✓			
141	60378014602	001	Carriage foot cpl. 25L C	✓			
141-10	38009893000	001	Carriage foot machined 25 low	✓			
141-10	38018118000	001	Carriage foot machined 25 low C	✓			
141-20	60370504100	002	Washer 20x10,2x4	✓			
141-40	38008544000	001	Handlebar 67x260x12	✓			
141-60	56456830000	001	Hexagon Nut DIN 934-M12-A2-70	✓			
141-65	57744880000	001	Protective plug 13x6,2x4-PE	✓		✓	
141-80	38011691000	001	STAR KNOB K63 LONG CPL. (OLD VERSION FOR RETAINING WASHER)	✓			
141-80	38011691001	001	star knob with bolt long	✓			
141-90	56768100000	001	Washer DIN125-A-12-PA66	✓			
141-100	57753800000	001	Retaining Washer DIN 6799-8-1.41	✓			
141-100	56472120000	001	Hexagon nut DIN439-M12-A2	✓			
141-110	57743430000	003	Cylinder screw DIN 912-M6x20-A2-70	✓			
141-120	56739060000	003	Washer DIN125-A-6-A2	✓			
141-125	60370104911	001	Sealing	✓		✓	
141-150	38043601000	001	bolt NSF	✓			
150-10	38049770000	001	Handhold 27,5x89,5 M10x35 PA green	✓			
150-10	60370303700	001	Handhold 27,5x89,5 M10x35 PA black	✓			
9900	95972940000	001	LOCTITE 243 10ML	✓			
9901	95972990002	010	Loctite 290	✓			

Carriage inclination / carriage height, handhold

Carriage foot, compl., 25°, High

Carriage foot, compl., 25°, High

- old version with retaining washer
- new version with hexagon nut



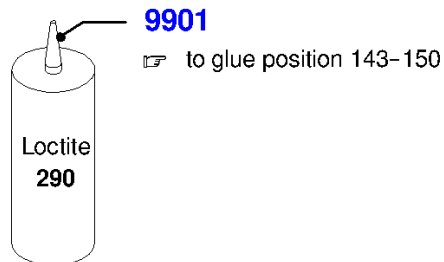
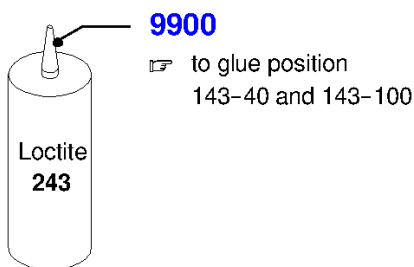
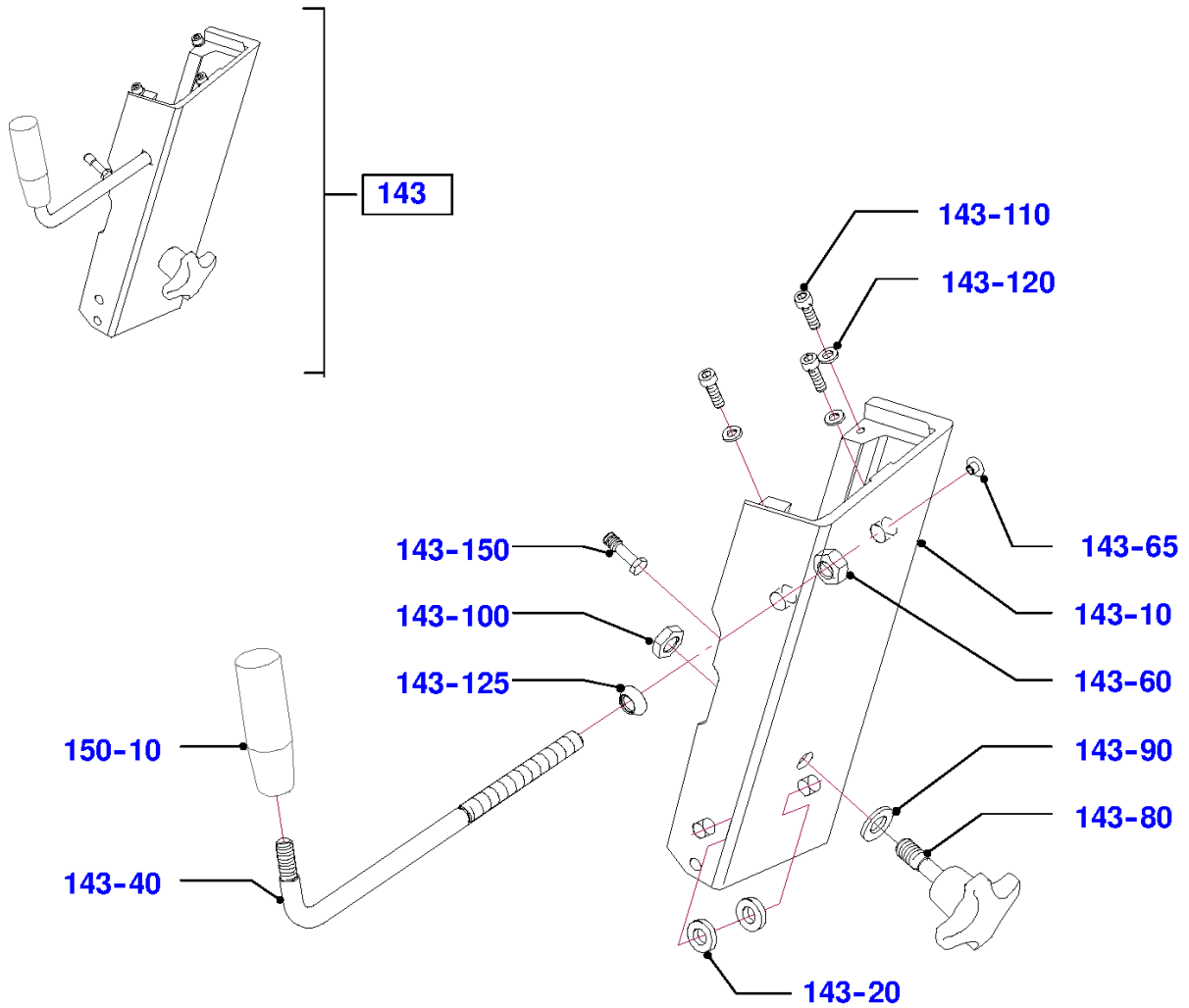
Carriage inclination / carriage height, handhold

Item	Material No.	Qty	Material description	available for order	Wear part	Recomm. sp. part	Metr. relevance
142	60378014702	001	CARRIAGE FOOT CPL 25H	✓			
142	60378014802	001	CARRIAGE FOOT CPL 25H C	✓			
142-10	60370504002	001	Carriage foot machined 25 high	✓			
142-10	38018092000	001	Carriage foot machined 25 high C	✓			
142-20	60370504100	002	Washer 20x10,2x4	✓			
142-40	38008544000	001	Handlebar 67x260x12	✓			
142-60	56456830000	001	Hexagon Nut DIN 934-M12-A2-70	✓			
142-65	57744880000	001	Protective plug 13x6,2x4-PE	✓		✓	
142-80	60800204600	001	Star knob with bolt	✓			
142-80	60800204601	001	star knob with bolt short	✓			
142-90	56768100000	001	Washer DIN125-A-12-PA66	✓			
142-100	57753800000	001	Retaining Washer DIN 6799-8-1.41	✓			
142-100	56472120000	001	Hexagon nut DIN439-M12-A2	✓			
142-110	57743430000	003	Cylinder screw DIN 912-M6x20-A2-70	✓			
142-120	56739060000	003	Washer DIN125-A-6-A2	✓			
142-125	60370104911	001	Sealing	✓		✓	
142-150	60370115200	001	Screw M8x20	✓			
150-10	38049770000	001	Handhold 27,5x89,5 M10x35 PA green	✓			
150-10	60370303700	001	Handhold 27,5x89,5 M10x35 PA black	✓			
9900	95972940000	001	LOCTITE 243 10ML	✓			
9901	95972990002	010	Loctite 290	✓			

Carriage inclination / carriage height, handhold

Carriage foot, compl., 25°, Low, BR

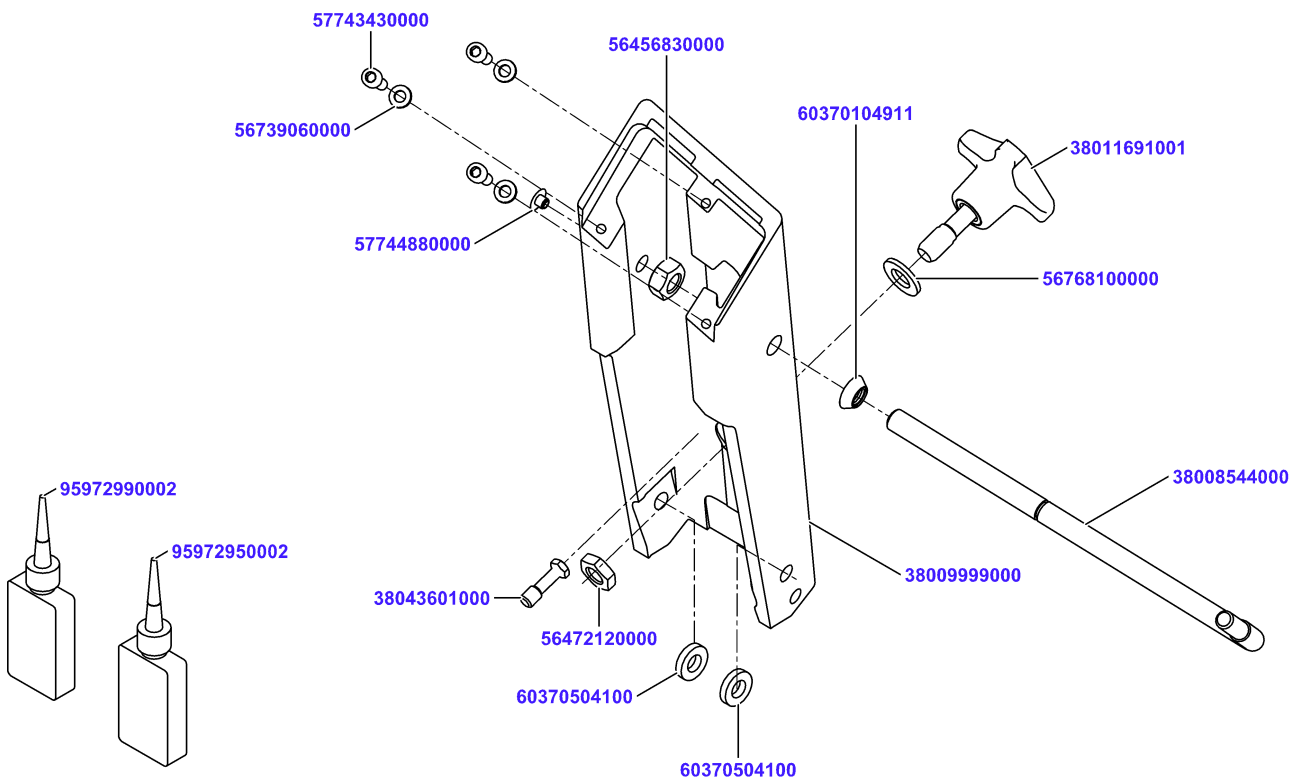
Carriage foot, compl., 25°, Low, BR



Carriage inclination / carriage height, handhold

Item	Material No.	Qty	Material description	available for order	Wear part	Recomm. sp. part	Metr. relevance
143	60378014901	001	CARRIAGE FOOT CPL 25L BR	✓			
143-10	38013546000	001	CARRIAGE FOOT MACHINED 25 LOW BR	✓			
143-20	60370504100	002	Washer 20x10,2x4	✓			
143-40	38008544000	001	Handlebar 67x260x12	✓			
143-60	56456830000	001	Hexagon Nut DIN 934-M12-A2-70	✓			
143-65	57744880000	001	Protective plug 13x6,2x4-PE	✓		✓	
143-80	38011691001	001	star knob with bolt long	✓			
143-90	56768100000	001	Washer DIN125-A-12-PA66	✓			
143-100	56472120000	001	Hexagon nut DIN439-M12-A2	✓			
143-110	57743430000	003	Cylinder screw DIN 912-M6x20-A2-70	✓			
143-120	56739060000	003	Washer DIN125-A-6-A2	✓			
143-125	60370104911	001	Sealing	✓		✓	
143-150	38043601000	001	bolt NSF	✓			
150-10	38049770000	001	Handhold 27,5x89,5 M10x35 PA green	✓			
150-10	60370303700	001	Handhold 27,5x89,5 M10x35 PA black	✓			
9900	95972940000	001	LOCTITE 243 10ML	✓			
9901	95972990002	010	Loctite 290	✓			

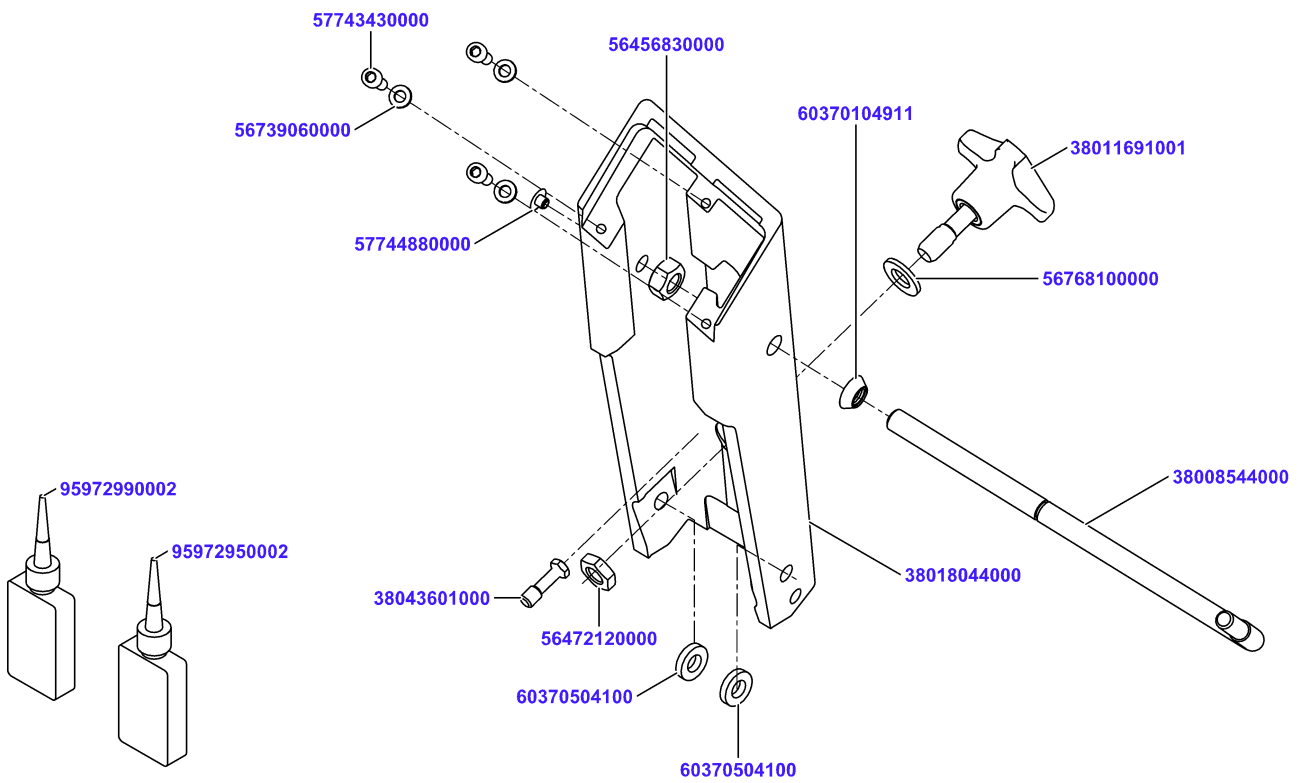
carriage foot cpl 18L



carriage foot cpl 18L

Material No.	Qty	Material description	available for order	Wear part	Recomm. sp. part	Metr. relevance
38009999000	1	Carriage foot machined 18 low	✓			
60370504100	2	Washer 20x10,2x4	✓			
38008544000	1	Handlebar 67x260x12	✓			
95972950002	0,001	Loctite 243 50 ml 95972950002	✓			
56456830000	1	Hexagon Nut DIN 934-M12-A2-70	✓			
57744880000	1	Protective plug 13x6,2x4-PE	✓		✓	
38011691001	1	star knob with bolt long	✓			
56768100000	1	Washer DIN125-A-12-PA66	✓			
56472120000	1	Hexagon nut DIN439-M12-A2	✓			
95972950002	0,001	Loctite 243 50 ml 95972950002	✓			
57743430000	3	Cylinder screw DIN 912-M6x20-A2-70	✓			
56739060000	3	Washer DIN125-A-6-A2	✓			
60370104911	1	Sealing	✓		✓	
38043601000	1	bolt NSF	✓			
95972990002	0,001	Loctite 290	✓			

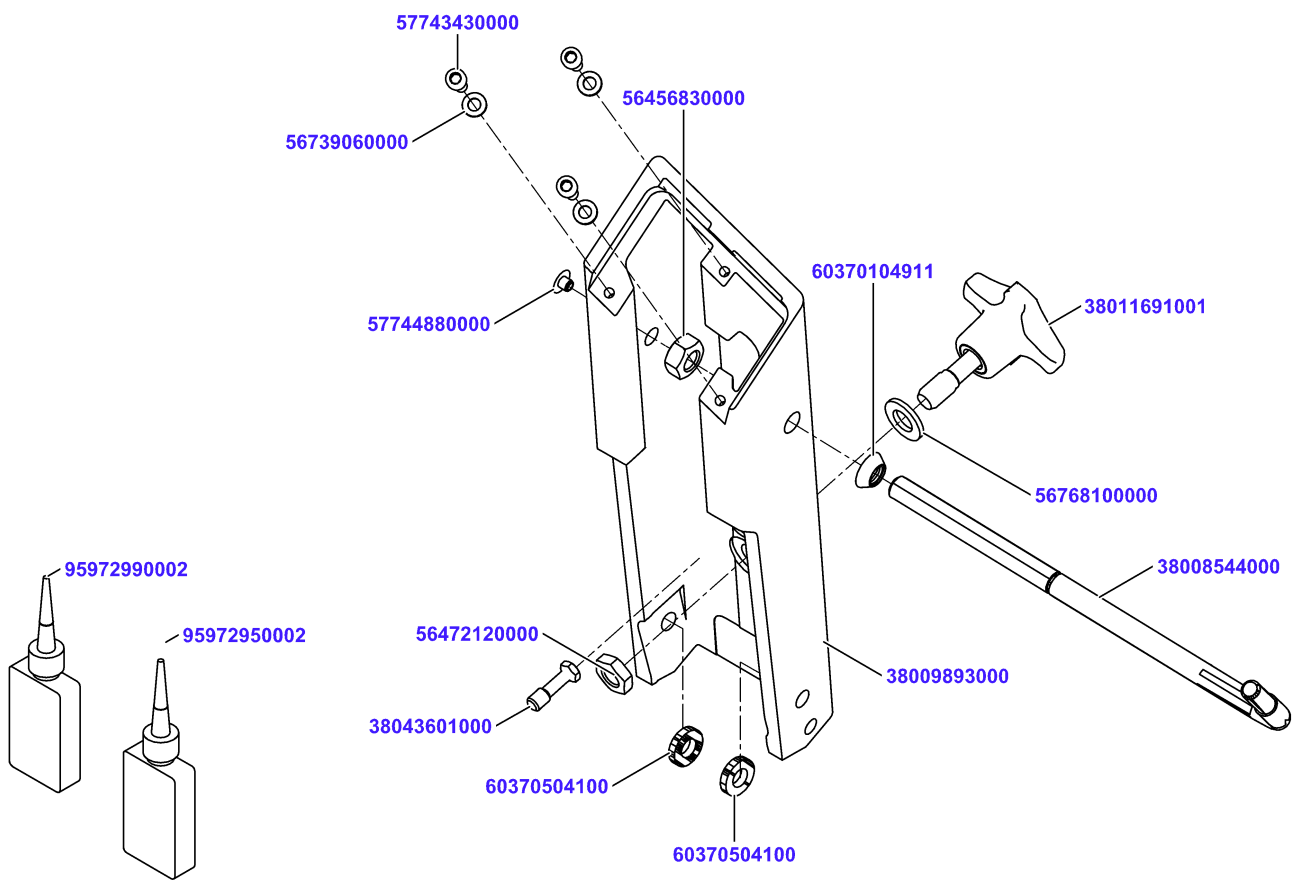
carriage foot cpl 18L C



carriage foot cpl 18L C

Material No.	Qty	Material description	available for order	Wear part	Recomm. sp. part	Metr. relevance
38018044000	1	Carriage foot machined 18 low C	✓			
60370504100	2	Washer 20x10,2x4	✓			
38008544000	1	Handlebar 67x260x12	✓			
95972950002	0,001	Loctite 243 50 ml 95972950002	✓			
56456830000	1	Hexagon Nut DIN 934-M12-A2-70	✓			
57744880000	1	Protective plug 13x6,2x4-PE	✓		✓	
38011691001	1	star knob with bolt long	✓			
56768100000	1	Washer DIN125-A-12-PA66	✓			
56472120000	1	Hexagon nut DIN439-M12-A2	✓			
95972950002	0,001	Loctite 243 50 ml 95972950002	✓			
57743430000	3	Cylinder screw DIN 912-M6x20-A2-70	✓			
56739060000	3	Washer DIN125-A-6-A2	✓			
60370104911	1	Sealing	✓		✓	
38043601000	1	bolt NSF	✓			
95972990002	0,001	Loctite 290	✓			

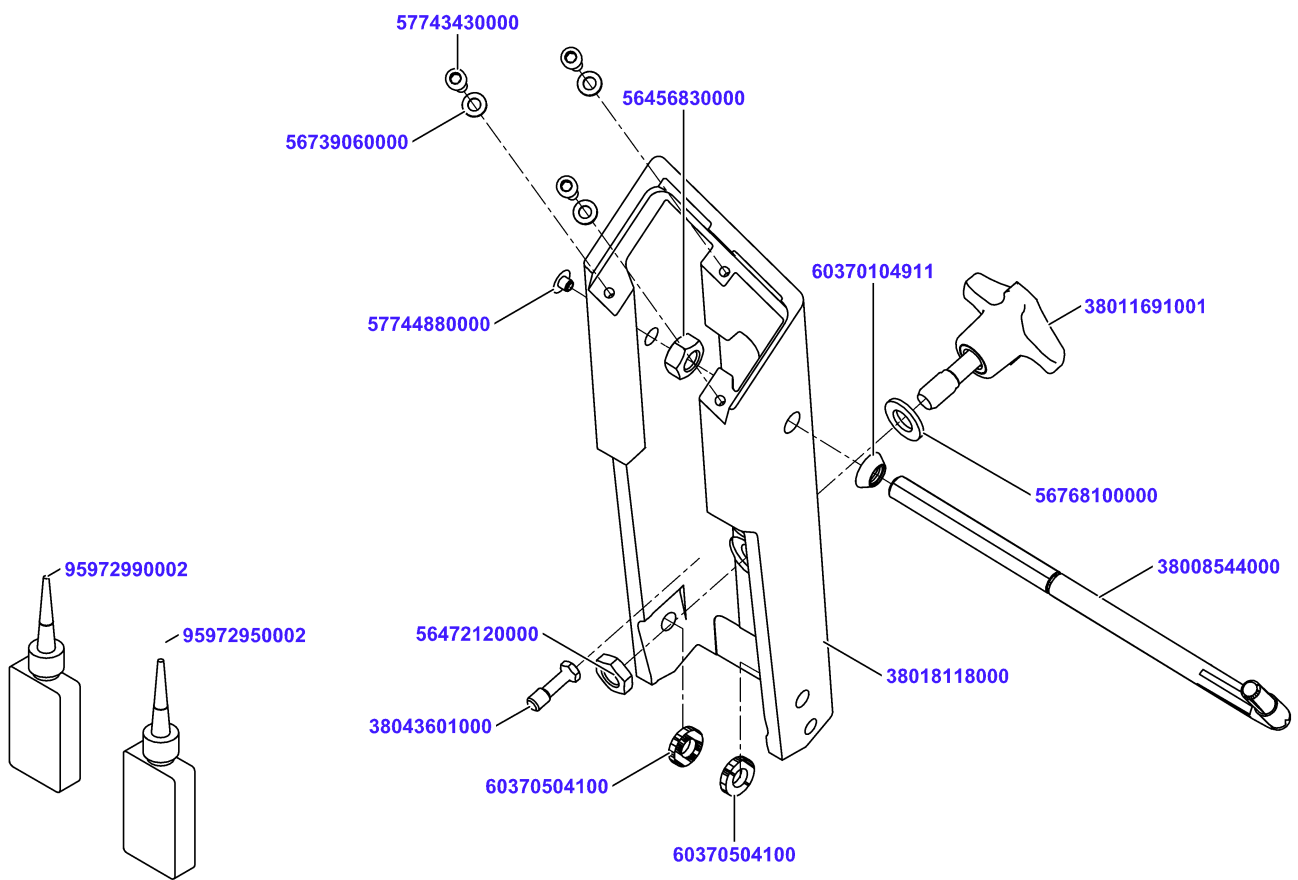
Carriage foot cpl. 25L



Carriage foot cpl. 25L

Material No.	Qty	Material description	available for order	Wear part	Recomm. sp. part	Metr. relevance
38009893000	1	Carriage foot machined 25 low	✓			
60370504100	2	Washer 20x10,2x4	✓			
38008544000	1	Handlebar 67x260x12	✓			
95972950002	0,001	Loctite 243 50 ml 95972950002	✓			
56456830000	1	Hexagon Nut DIN 934-M12-A2-70	✓			
57744880000	1	Protective plug 13x6,2x4-PE	✓		✓	
38011691001	1	star knob with bolt long	✓			
56768100000	1	Washer DIN125-A-12-PA66	✓			
56472120000	1	Hexagon nut DIN439-M12-A2	✓			
95972950002	0,001	Loctite 243 50 ml 95972950002	✓			
57743430000	3	Cylinder screw DIN 912-M6x20-A2-70	✓			
56739060000	3	Washer DIN125-A-6-A2	✓			
60370104911	1	Sealing	✓		✓	
38043601000	1	bolt NSF	✓			
95972990002	0,001	Loctite 290	✓			

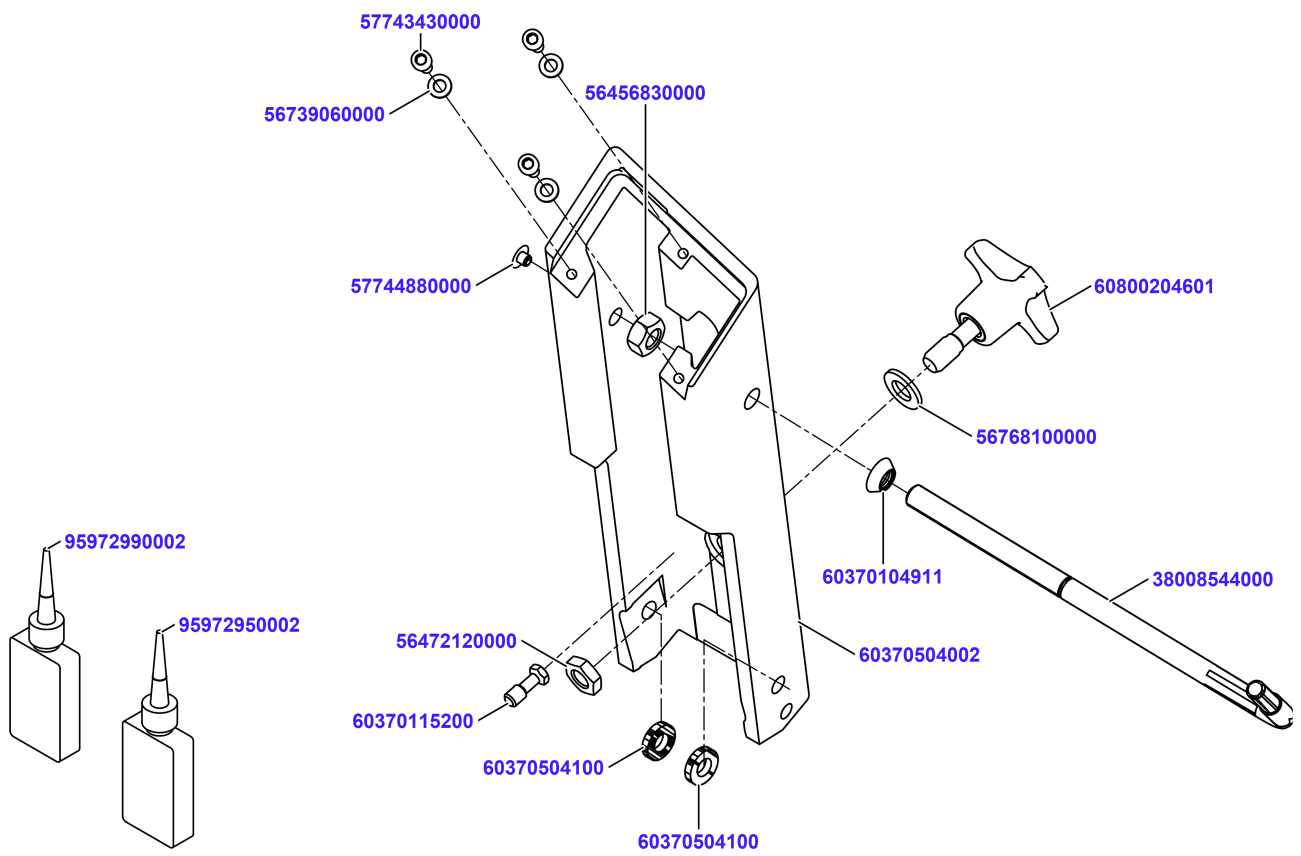
Carriage foot cpl. 25L C



Carriage foot cpl. 25L C

Material No.	Qty	Material description	available for order	Wear part	Recomm. sp. part	Metr. relevance
38018118000	1	Carriage foot machined 25 low C	✓			
60370504100	2	Washer 20x10,2x4	✓			
38008544000	1	Handlebar 67x260x12	✓			
95972950002	0,001	Loctite 243 50 ml 95972950002	✓			
56456830000	1	Hexagon Nut DIN 934-M12-A2-70	✓			
57744880000	1	Protective plug 13x6,2x4-PE	✓		✓	
38011691001	1	star knob with bolt long	✓			
56768100000	1	Washer DIN125-A-12-PA66	✓			
56472120000	1	Hexagon nut DIN439-M12-A2	✓			
95972950002	0,001	Loctite 243 50 ml 95972950002	✓			
57743430000	3	Cylinder screw DIN 912-M6x20-A2-70	✓			
56739060000	3	Washer DIN125-A-6-A2	✓			
60370104911	1	Sealing	✓		✓	
38043601000	1	bolt NSF	✓			
95972990002	0,001	Loctite 290	✓			

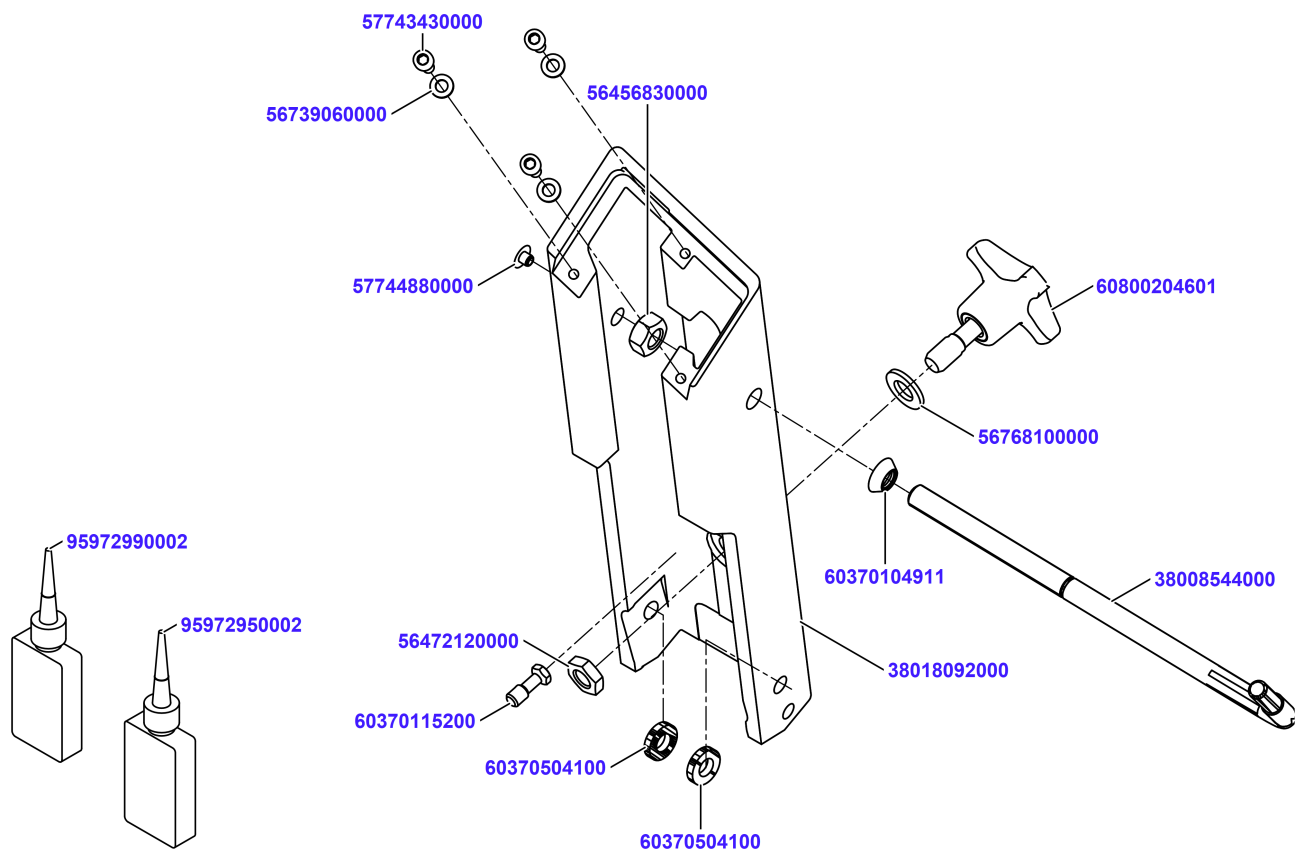
CARRIAGE FOOT CPL 25H



CARRIAGE FOOT CPL 25H

Material No.	Qty	Material description	available for order	Wear part	Recomm. sp. part	Metr. relevance
60370504002	1	Carriage foot machined 25 high	✓			
60370504100	2	Washer 20x10,2x4	✓			
38008544000	1	Handlebar 67x260x12	✓			
95972950002	0,001	Loctite 243 50 ml 95972950002	✓			
56456830000	1	Hexagon Nut DIN 934-M12-A2-70	✓			
57744880000	1	Protective plug 13x6,2x4-PE	✓		✓	
60800204601	1	star knob with bolt short	✓			
56768100000	1	Washer DIN125-A-12-PA66	✓			
56472120000	1	Hexagon nut DIN439-M12-A2	✓			
95972950002	0,001	Loctite 243 50 ml 95972950002	✓			
57743430000	3	Cylinder screw DIN 912-M6x20-A2-70	✓			
56739060000	3	Washer DIN125-A-6-A2	✓			
60370104911	1	Sealing	✓		✓	
60370115200	1	Screw M8x20	✓			
95972990002	0,001	Loctite 290	✓			

CARRIAGE FOOT CPL 25H C



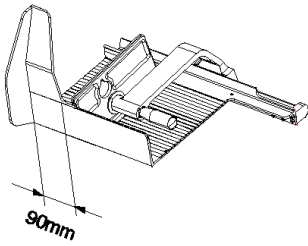
CARRIAGE FOOT CPL 25H C

Material No.	Qty	Material description	available for order	Wear part	Recomm. sp. part	Metr. relevance
38018092000	1	Carriage foot machined 25 high C	✓			
60370504100	2	Washer 20x10,2x4	✓			
38008544000	1	Handlebar 67x260x12	✓			
95972950002	0,001	Loctite 243 50 ml 95972950002	✓			
56456830000	1	Hexagon Nut DIN 934-M12-A2-70	✓			
57744880000	1	Protective plug 13x6,2x4-PE	✓		✓	
60800204601	1	star knob with bolt short	✓			
56768100000	1	Washer DIN125-A-12-PA66	✓			
56472120000	1	Hexagon nut DIN439-M12-A2	✓			
95972950002	0,001	Loctite 243 50 ml 95972950002	✓			
57743430000	3	Cylinder screw DIN 912-M6x20-A2-70	✓			
56739060000	3	Washer DIN125-A-6-A2	✓			
60370104911	1	Sealing	✓		✓	
60370115200	1	Screw M8x20	✓			
95972990002	0,001	Loctite 290	✓			

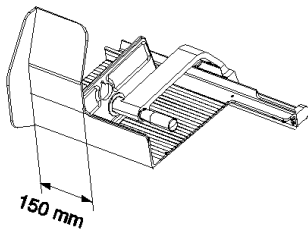
Carriage overview

Carriage inclination 25°

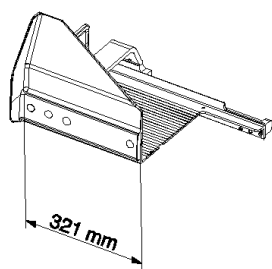
L=90 mm



L=150 mm

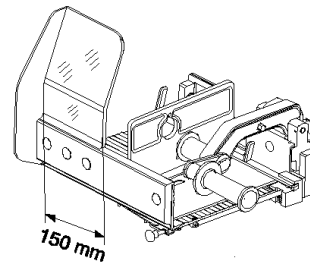
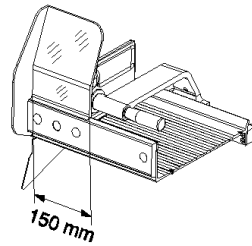


L=321 mm

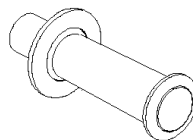


Carriage inclination 18°

L=150 mm



Handhold



Carriage overview

Item **Material No.** **Qty** **Material description**

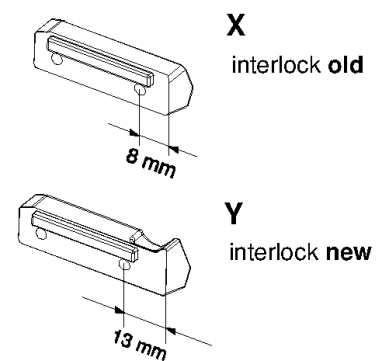
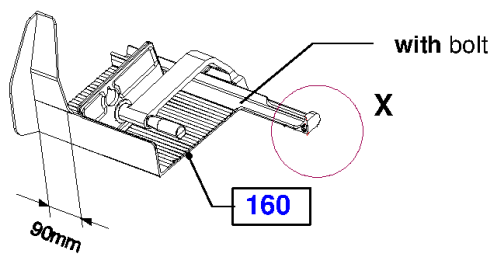
available for order
Wear part
Recomm. sp. part
Metr. relevance

Carriage 25°, alu welded, 1pc, L=90 mm

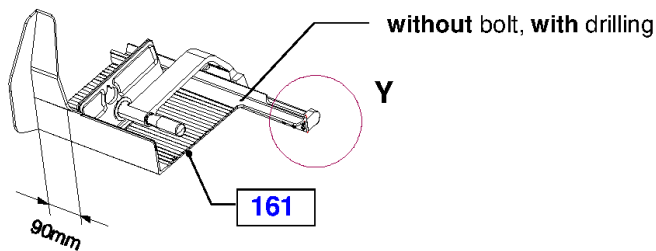
Carriage compl. 25°, alu welded, 1pc, L = 90 mm

Carriage compl. 25°, alu welded, 1pc, L = 90 mm

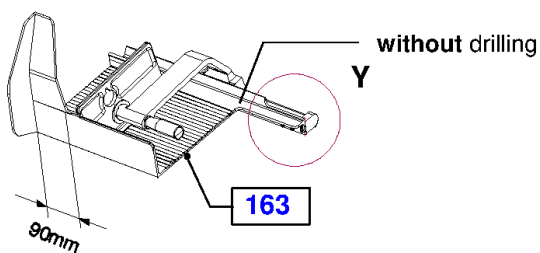
with bolt, interlock old



without bolt, interlock new



without drilling, interlock new



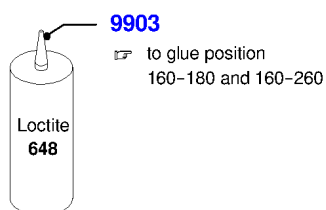
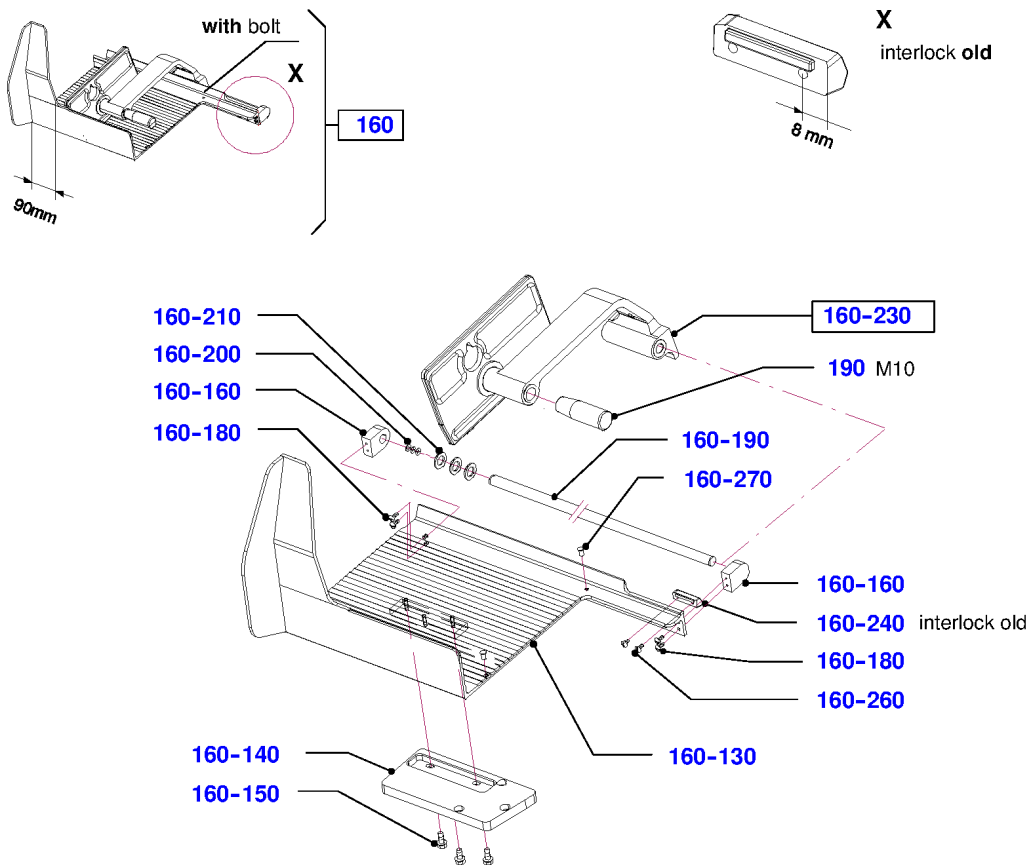
Carriage 25°, alu welded, 1pc, L=90 mm

Item	Material No.	Qty	Material description	available for order	Wear part	Recomm. sp. part	Metr. relevance
160	60378016300	001	CARRIAGE CPL 25ALU 1PC 90L (INTERLOCK OLD)				
161	60378016302	001	Carriage cpl 25Alu 1pc 90L				
161	60378016402	001	Carriage cpl 25Alu 1pc 90L C				
163	60378018001	001	Carriage cpl 25Alu 1pc 90L nh				
163	60378018101	001	Carriage cpl 25Alu 1pc 90L nh C				

Carriage 25°, alu welded, 1pc, L=90 mm

Carriage compl. 25°, alu welded, 1pc, L=90 mm with bolt, interlock old

Carriage compl. 25°, alu welded, 1pc, L=90 mm
with bolt, interlock old



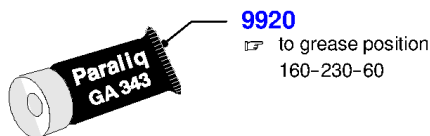
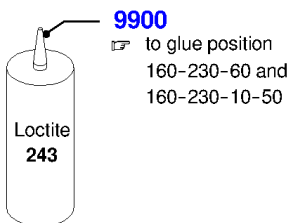
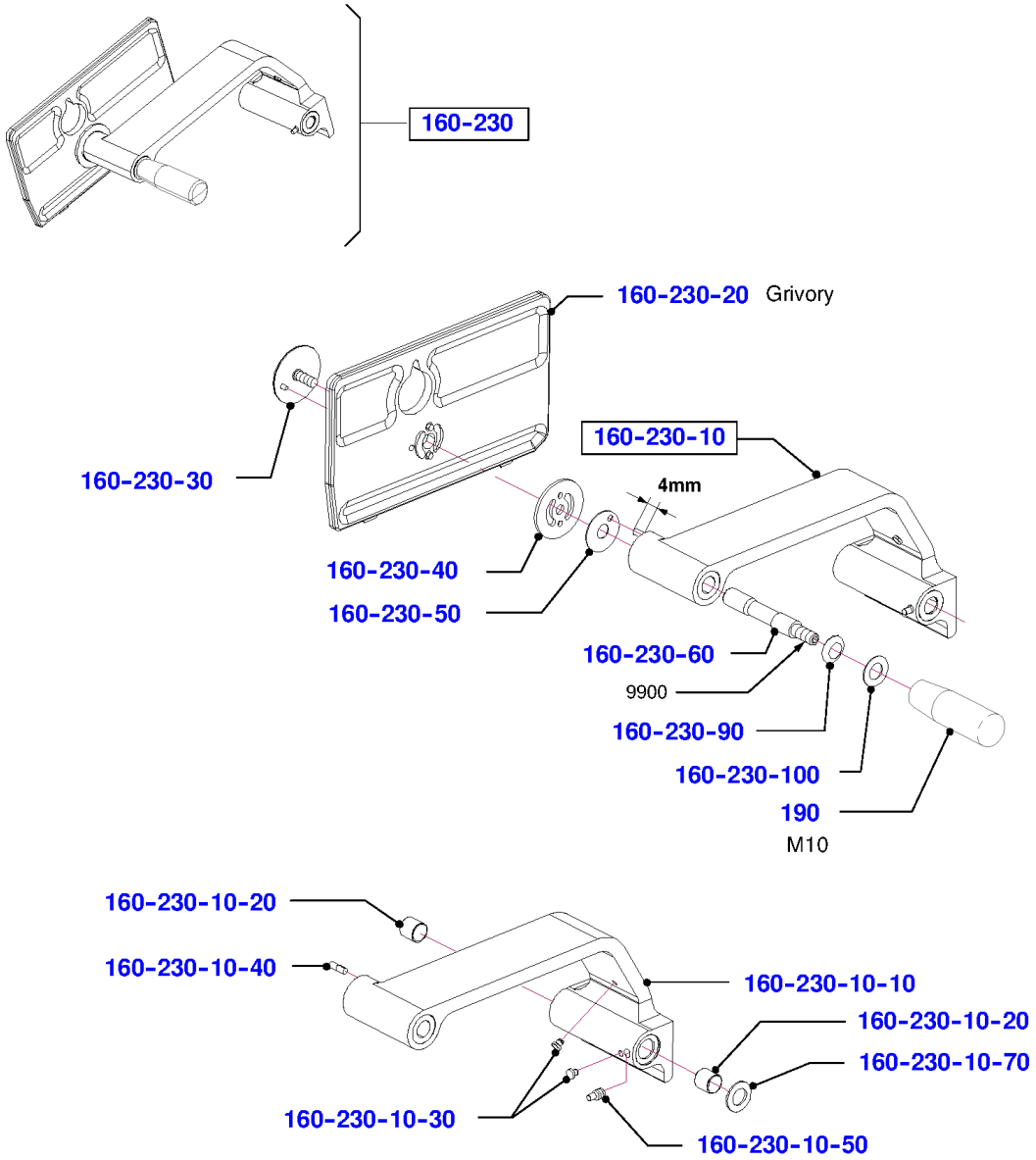
Carriage 25°, alu welded, 1pc, L=90 mm

Item	Material No.	Qty	Material description	available for order	Wear part	Recomm. sp. part	Metr. relevance
160	60378016300	001	CARRIAGE CPL 25ALU 1PC 90L (INTERLOCK OLD)	✓			
160-130	38008753001	001	CARRIAGE PLATE WELDED 90MM L	✓			
160-140	38010566000	001	Carriage plate foot	✓			
160-150	38900063000	003	Hexagon flange bolt DIN6921 M6x16-A2-70	✓			
160-160	38010519001	002	BEARING PEDESTAL	✓			
160-180	56972510000	004	Mushroom Head Screw M4x12-A2-70	✓			
160-190	38010555000	001	GUIDE SHAFT	✓			
160-200	50001510000	003	Disc spring 11x6,2x0,3	✓			
160-210	60353601701	003	shock absorber	✓			
160-230	60371603101	001	SLIDER PROTECTION AND LEVER	✓			
160-240	38010518000	001	INTERLOCK (OLD INTERLOCK)	✓			
160-260	56972540000	002	Mushroom head screw M4x10-A2-70	✓			
160-270	60274601001	002	Bolt PA - 4,1x4,5	✓			
190	60370303700	001	Handhold 27,5x89,5 M10x35 PA black	✓			
190	38032678000	001	Handhold 27,5x89,5 M10x35 PA red	✓			
9903	95972840000	001	LOCTITE 648 10M	✓			

Carriage 25°, alu welded, 1pc, L=90 mm

Slider protection (grivory) and lever, compl.

Slider protection (grivory) and lever, compl.



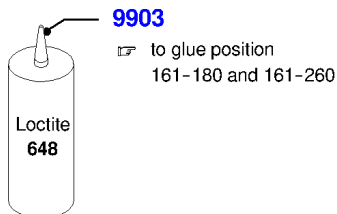
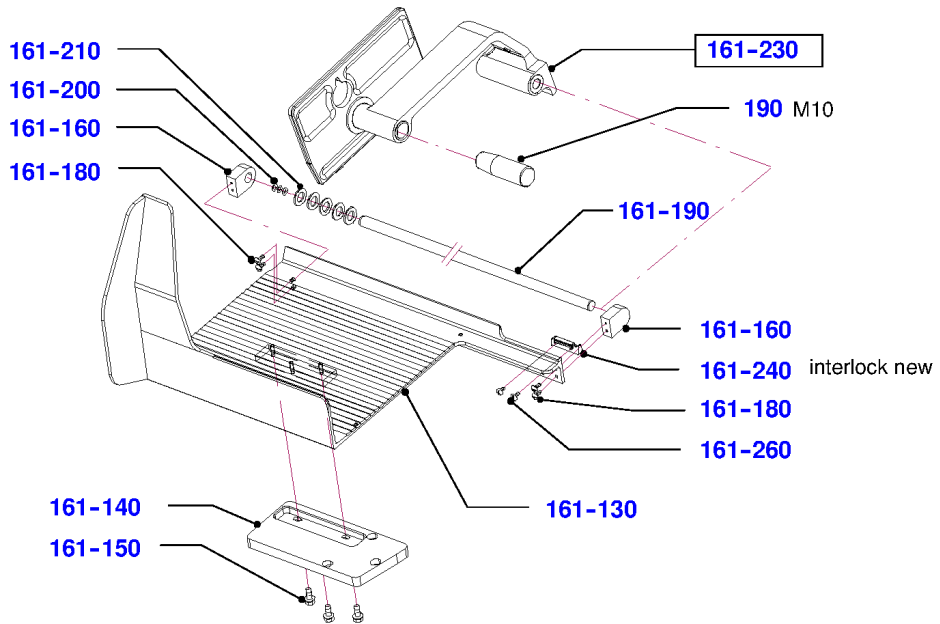
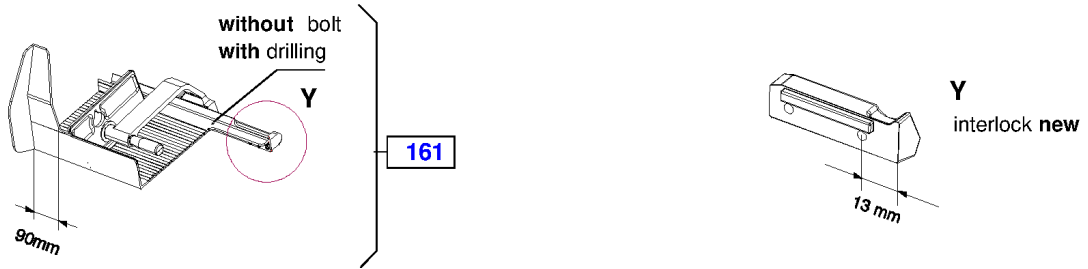
Carriage 25°, alu welded, 1pc, L=90 mm

Item	Material No.	Qty	Material description	available for order	Wear part	Recomm. sp. part	Metr. relevance
160-230	60371603101	001	SLIDER PROTECTION AND LEVER	✓			
160-230-10	60371601201	001	LEVER PREMOUNT.	✓			
160-230-10-10	38008669001	001	LEVER	✓			
160-230-10-20	38004696000	002	Plain bearing 14x16x15	✓			
160-230-10-30	40300900006	002	slide pin	✓	✓		
160-230-10-40	56337160000	001	Grooved Pin DIN 1474-5x16 A2-70	✓			
160-230-10-50	60370403800	001	Pin	✓			
160-230-10-70	38008734000	001	WASHER	✓			
160-230-20	60370413201	001	SLIDER PROTECTING DEVICE (GRIVORY)	✓			
160-230-30	60270201802	001	Washer with pin	✓	✓		
160-230-40	60220401600	001	Lock washer	✓			
160-230-50	60220403800	001	Washer POM - 35x12,1	✓			
160-230-60	60370403000	001	bolt	✓			
160-230-90	50001540000	001	Disc spring 23,7x14,3x0,3	✓			
160-230-100	60352302300	001	Thrust washer	✓			
190	60370303700	001	Handhold 27,5x89,5 M10x35 PA black	✓			
190	38032678000	001	Handhold 27,5x89,5 M10x35 PA red	✓			
9900	95972940000	001	LOCTITE 243 10ML	✓			
9920	94008908076	001	GREASE PARALIQ GA343 H1 25ML	✓			

Carriage 25°, alu welded, 1pc, L=90 mm

Carriage compl. 25°, alu welded, 1pc, L=90 mm without bolt, interlock new

Carriage compl. 25°, alu welded, 1pc, L=90 mm without bolt, interlock new



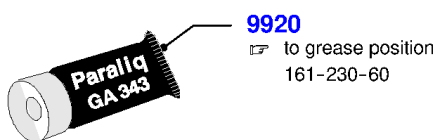
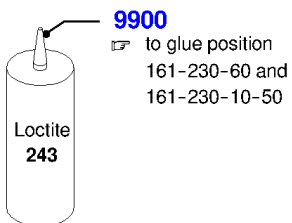
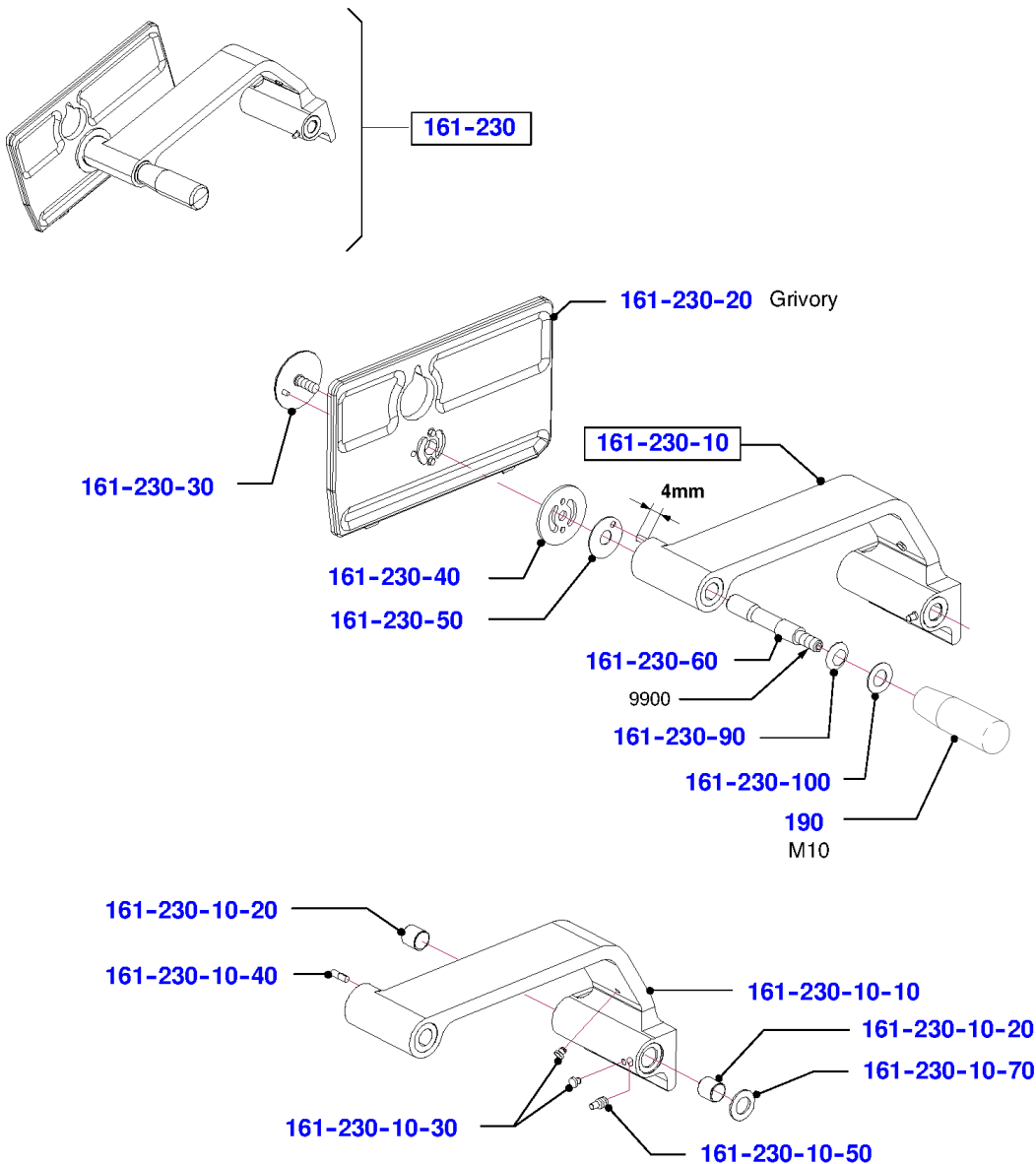
Carriage 25°, alu welded, 1pc, L=90 mm

Item	Material No.	Qty	Material description	available for order	Wear part	Recomm. sp. part	Metr. relevance
161	60378016302	001	Carriage cpl 25Alu 1pc 90L	✓			
161	60378016402	001	Carriage cpl 25Alu 1pc 90L C	✓			
161-130	38008753002	001	CARRIAGE PLATE WELDED 90MM L	✓			
161-130	38014971001	001	CARRIAGE PLATE WELDED 90MM L C	✓			
161-140	38010566000	001	Carriage plate foot	✓			
161-140	38014968000	001	Carriage plate foot C	✓			
161-150	38900063000	003	Hexagon flange bolt DIN6921 M6x16-A2-70	✓			
161-160	38010519001	002	BEARING PEDESTAL	✓			
161-160	38014966001	002	BEARING PEDESTAL C	✓			
161-180	56972530000	004	Mushroom head screw M4x16-A2-70	✓			
161-190	38010555001	001	guide shaft	✓			
161-200	50001510000	003	Disc spring 11x6,2x0,3	✓			
161-210	60353601701	005	shock absorber	✓			
161-230	60371603103	001	SLIDER PROTECTION AND LEVER	✓			
161-230	60371693103	001	SLIDER PROTECTION AND LEVER C	✓			
161-240	38012320001	001	Interlock machined part	✓			
161-260	56972540000	002	Mushroom head screw M4x10-A2-70	✓			
190	60370303700	001	Handhold 27,5x89,5 M10x35 PA black	✓			
190	38032678000	001	Handhold 27,5x89,5 M10x35 PA red	✓			
9903	95972840000	001	LOCTITE 648 10M	✓			

Carriage 25°, alu welded, 1pc, L=90 mm

Slider protection (grivory) and lever, compl.

Slider protection (grivory) and lever, compl.



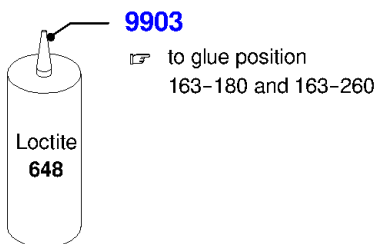
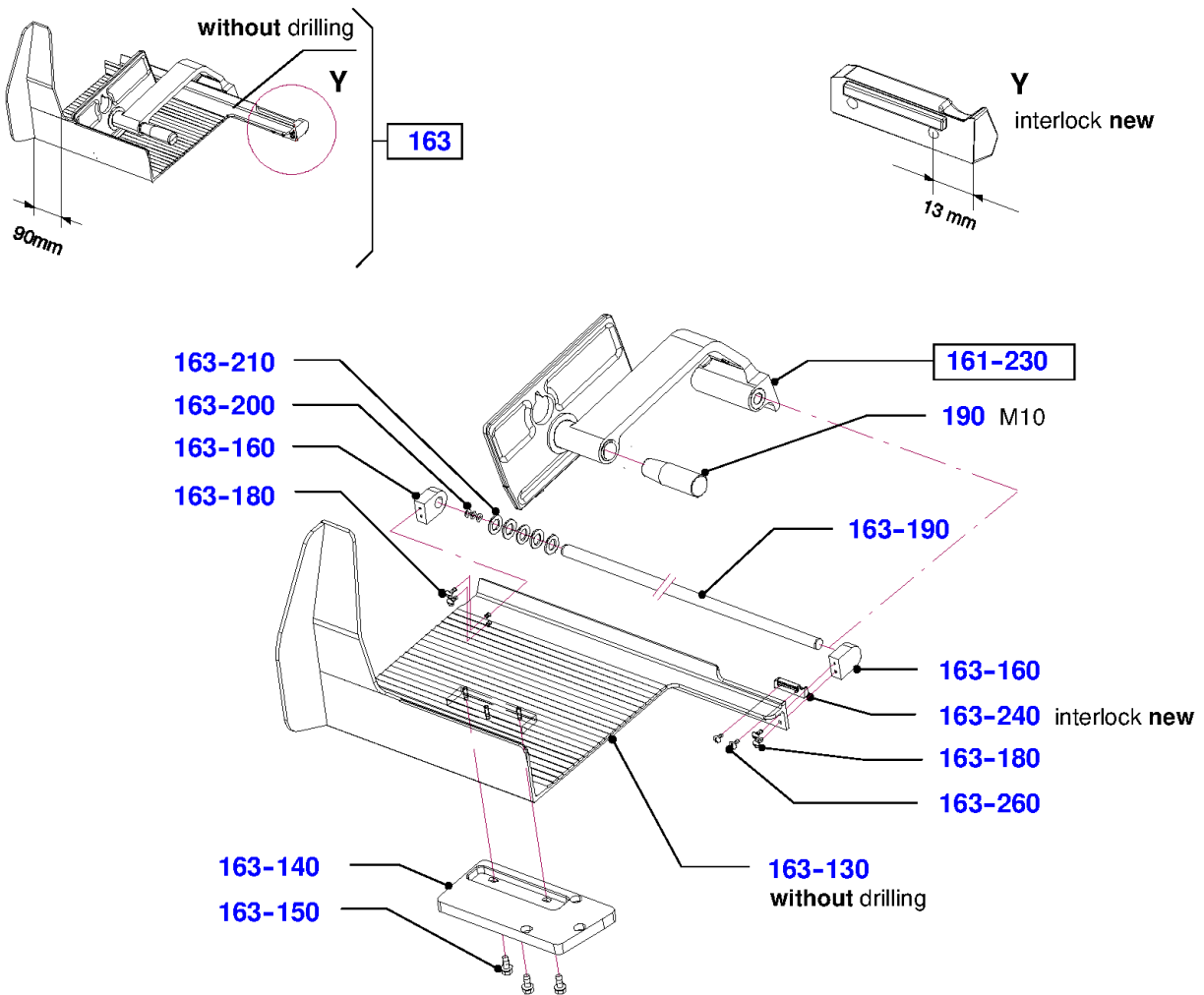
Carriage 25°, alu welded, 1pc, L=90 mm

Item	Material No.	Qty	Material description	available for order	Wear part	Recomm. sp. part	Metr. relevance
161-230	60371603103	001	SLIDER PROTECTION AND LEVER	✓			
161-230	60371693103	001	SLIDER PROTECTION AND LEVER C	✓			
161-230-10	60371601201	001	LEVER PREMOUNT.	✓			
161-230-10	60371691201	001	LEVER PRE ASSEMBLED C	✓			
161-230-10-10	38008669001	001	LEVER	✓			
161-230-10-10	38014975001	001	LEVER C	✓			
161-230-10-20	38004696000	002	Plain bearing 14x16x15	✓			
161-230-10-30	40300900006	002	slide pin	✓	✓		
161-230-10-40	56337160000	001	Grooved Pin DIN 1474-5x16 A2-70	✓			
161-230-10-50	60370403800	001	Pin	✓			
161-230-10-70	38008734000	001	WASHER	✓			
161-230-20	60370413201	001	SLIDER PROTECTING DEVICE (GRIVORY)	✓			
161-230-30	60270201802	001	Washer with pin	✓	✓		
161-230-40	60220401600	001	Lock washer	✓			
161-230-50	60220403800	001	Washer POM - 35x12,1	✓			
161-230-60	60370403000	001	bolt	✓			
161-230-90	50001540000	001	Disc spring 23,7x14,3x0,3	✓			
161-230-100	60352302300	001	Thrust washer	✓			
190	60370303700	001	Handhold 27,5x89,5 M10x35 PA black	✓			
190	38032678000	001	Handhold 27,5x89,5 M10x35 PA red	✓			
9900	95972940000	001	LOCTITE 243 10ML	✓			
9920	94008908076	001	GREASE PARALIQ GA343 H1 25ML	✓			

Carriage 25°, alu welded, 1pc, L=90 mm

Carriage compl. 25°, alu welded, 1pc, L=90 mm, without drilling interlock new

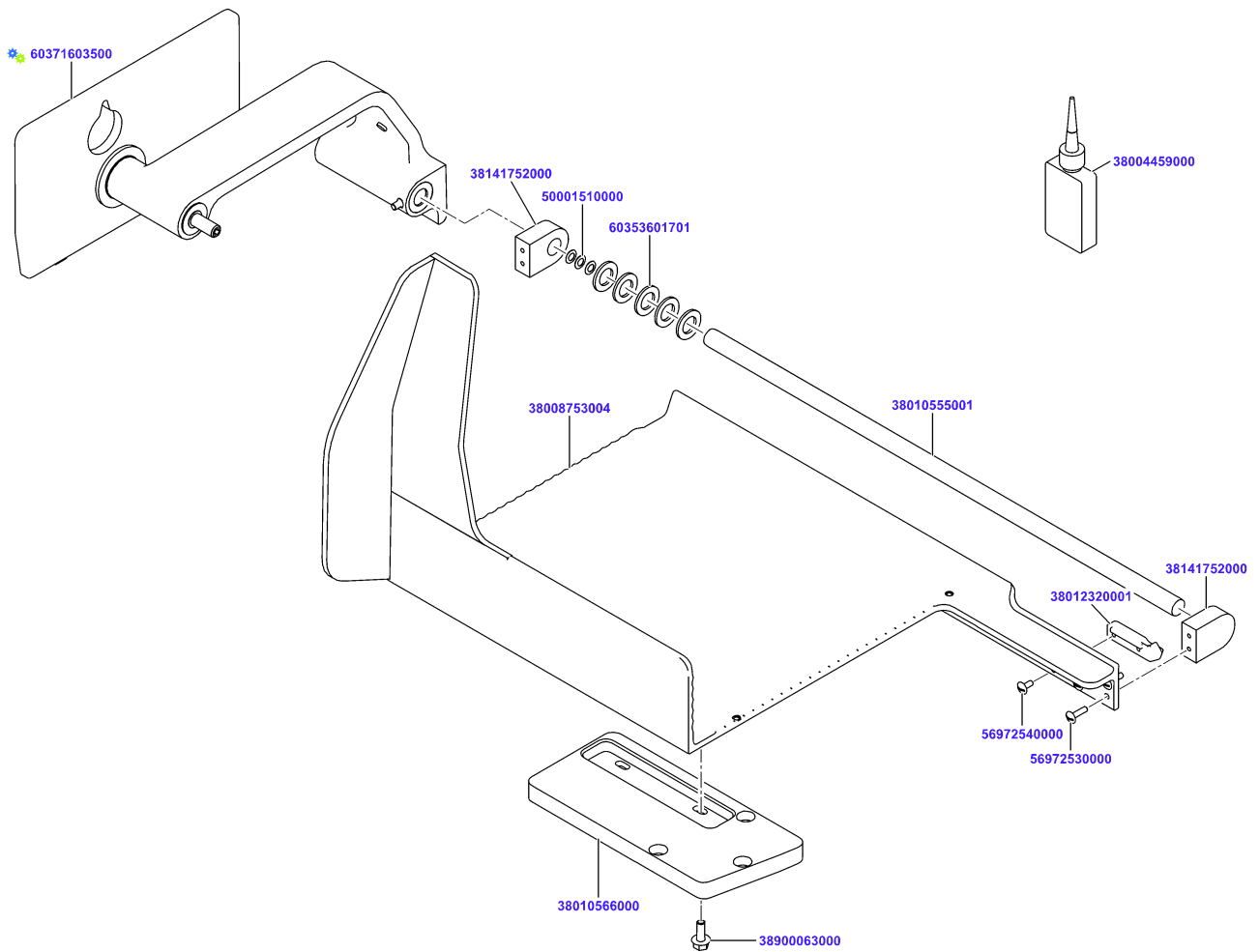
Carriage compl. 25°, alu welded, 1pc, L=90 mm, without drilling interlock new
















Carriage 25°, alu welded, 1pc, L=90 mm

Item	Material No.	Qty	Material description	available for order	Wear part	Recomm. sp. part	Metr. relevance
161-230	60371603103	001	SLIDER PROTECTION AND LEVER	✓			
161-230	60371693103	001	SLIDER PROTECTION AND LEVER C	✓			
163	60378018001	001	Carriage cpl 25Alu 1pc 90L nh	✓			
163	60378018101	001	Carriage cpl 25Alu 1pc 90L nh C	✓			
163-130	38032738000	001	CARRIAGE PLATE WELDED 90MM L NH (WITHOUT DRILLED HOLE)	✓			
163-130	38032751000	001	CARRIAGE PLATE WELDED 90MM L C NH (WITHOUT DRILLED HOLE)	✓			
163-140	38010566000	001	Carriage plate foot	✓			
163-140	38014968000	001	Carriage plate foot C	✓			
163-150	38900063000	003	Hexagon flange bolt DIN6921 M6x16-A2-70	✓			
163-160	38010519001	002	BEARING PEDESTAL	✓			
163-160	38014966001	002	BEARING PEDESTAL C	✓			
163-180	56972530000	004	Mushroom head screw M4x16-A2-70	✓			
163-190	38010555001	001	guide shaft	✓			
163-200	50001510000	003	Disc spring 11x6,2x0,3	✓			
163-210	60353601701	005	shock absorber	✓			
163-240	38012320001	001	Interlock machined part	✓			
163-260	56972540000	002	Mushroom head screw M4x10-A2-70	✓			
190	60370303700	001	Handhold 27,5x89,5 M10x35 PA black	✓			
190	38032678000	001	Handhold 27,5x89,5 M10x35 PA red	✓			
9903	95972840000	001	LOCTITE 648 10M	✓			

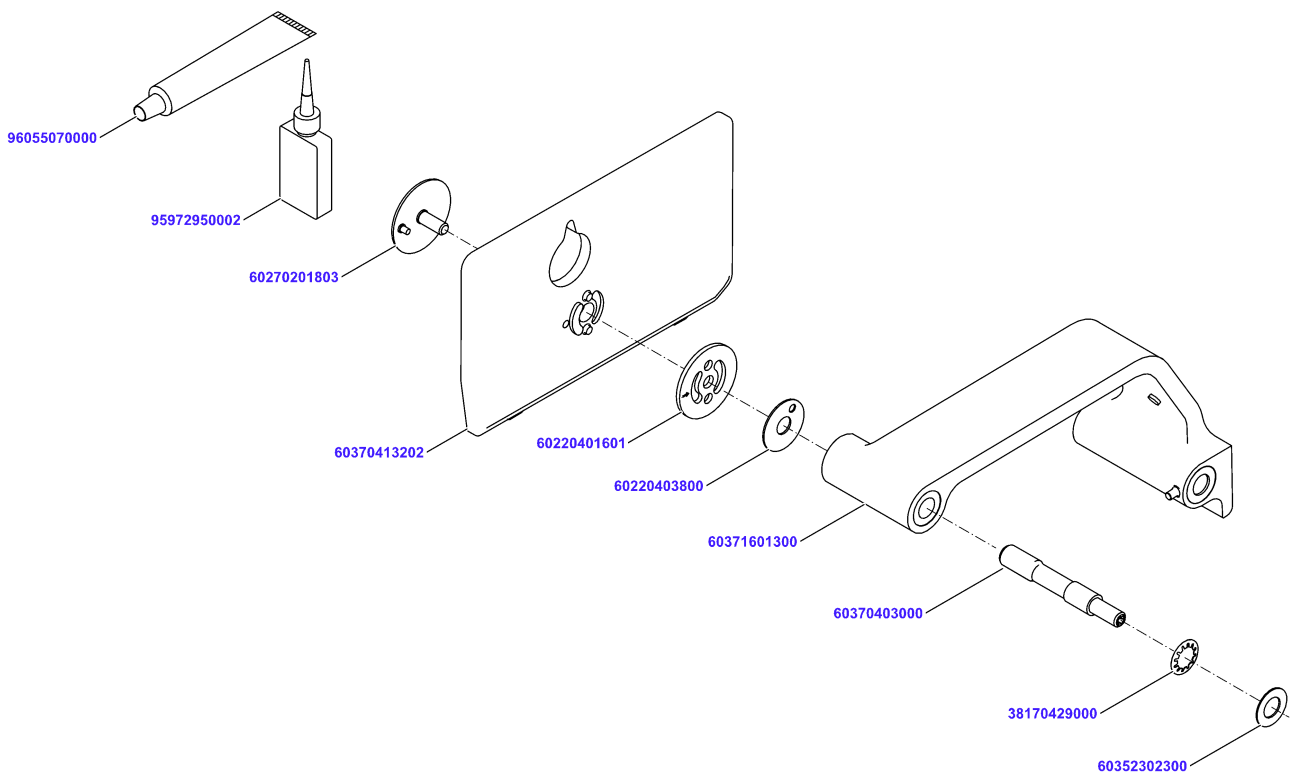
Carriage cpl 25Alu 1pc 90L



Carriage cpl 25Alu 1pc 90L

Material No.	Qty	Material description	available for order	Wear part	Recomm. sp. part	Metr. relevance
38008753004	1	Carriage plate welded 90mm L				
38010566000	1	Carriage plate foot				
38900063000	3	Hexagon flange bolt DIN6921 M6x16-A2-70				
38141752000	2	Bearing Pedestal 20 x 36				
38004459000	0,001	Loctite 648				
56972530000	4	Mushroom head screw M4x16-A2-70				
38010555001	1	guide shaft				
50001510000	3	Disc spring 11x6,2x0,3				
60353601701	5	shock absorber				
60371603500	1	Slider Protection and Lever				
38012320001	1	Interlock machined part				
38004459000	0,001	Loctite 648				
56972540000	2	Mushroom head screw M4x10-A2-70				

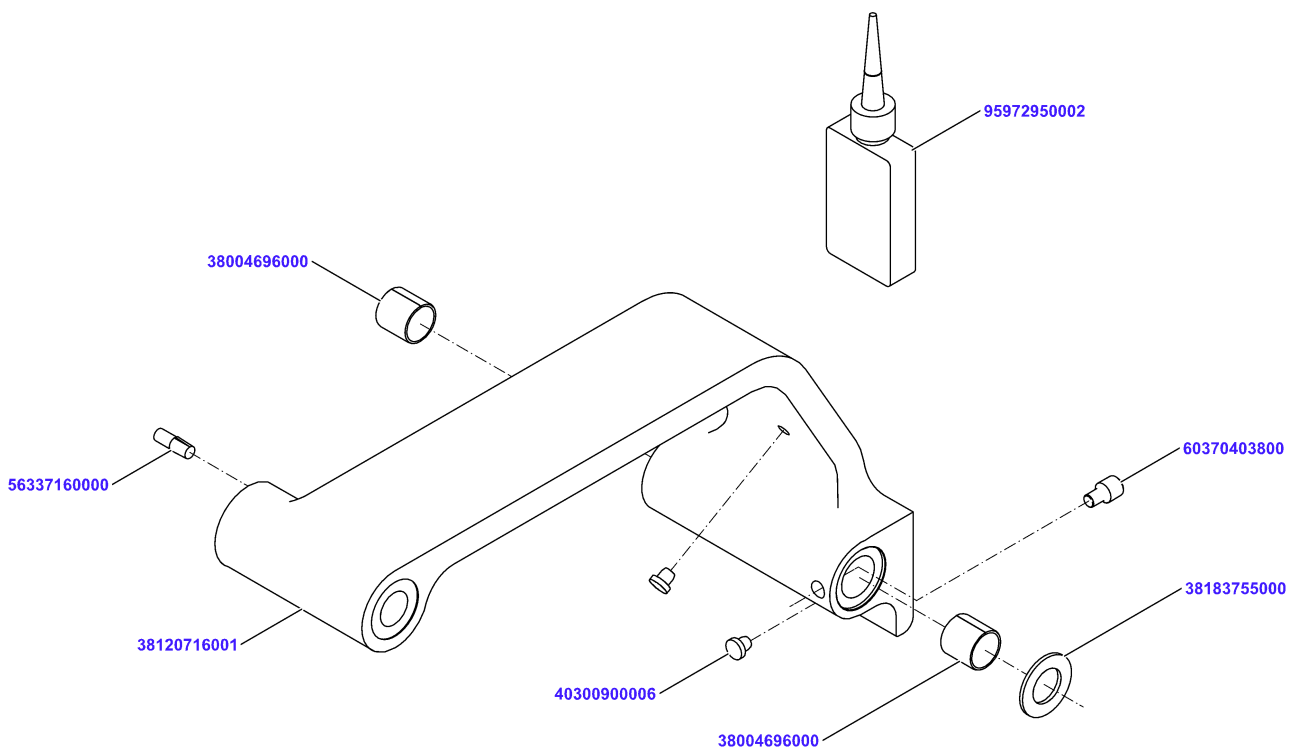
Slider Protection and Lever



Slider Protection and Lever

Material No.	Qty	Material description	available for order	Wear part	Recomm. sp. part	Metr. relevance
60371601300	1	Lever preassembled	✓			
60370413202	1	Guard plate 134,8x230x8 - black	✓			
60270201803	1	Washer 50x2,5 with pin M8 & Precote	✓	✓	✓	
60220401601	1	Lock washer	✓			
60220403800	1	Washer POM - 35x12,1	✓			
60370403000	1	bolt	✓			
96055070000	0,005	Grease PARALIQ GA 343	✓			
95972950002	0,001	Loctite 243 50 ml 95972950002	✓			
38170429000	1	Disc spring 23,7x14,3x0,3x1,3 tf-k slot*	✓			
60352302300	1	Thrust washer	✓			

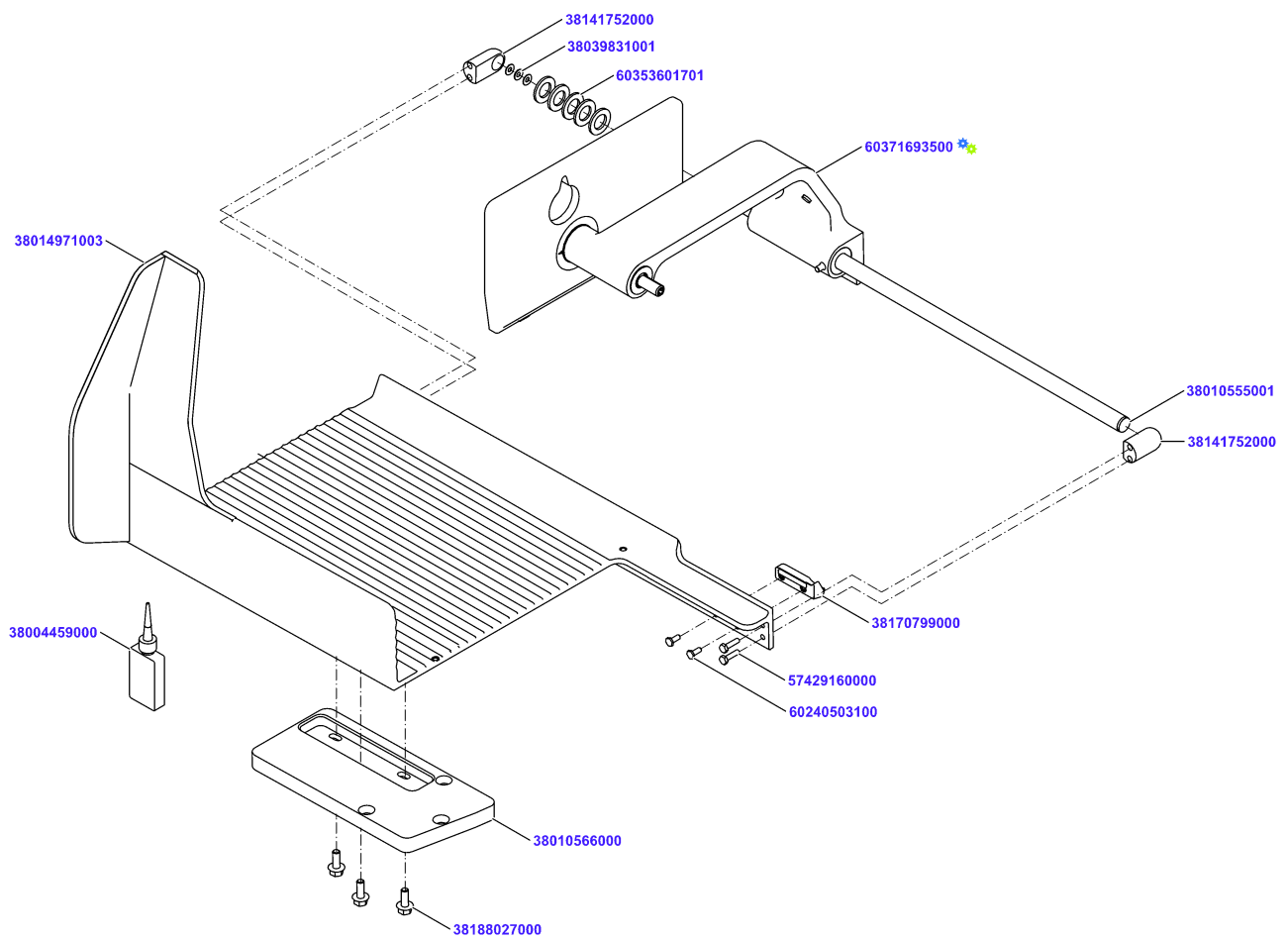
Lever preassembled



Lever preassembled

Material No.	Qty	Material description	available for order	Wear part	Recomm. sp. part	Metr. relevance
40300900006	2	slide pin				
56337160000	1	Grooved Pin DIN 1474-5x16 A2-70				
60370403800	1	Pin				
95972950002	0,001	Loctite 243 50 ml 95972950002				
38183755000	1	Washer 14,25x25x1,5				

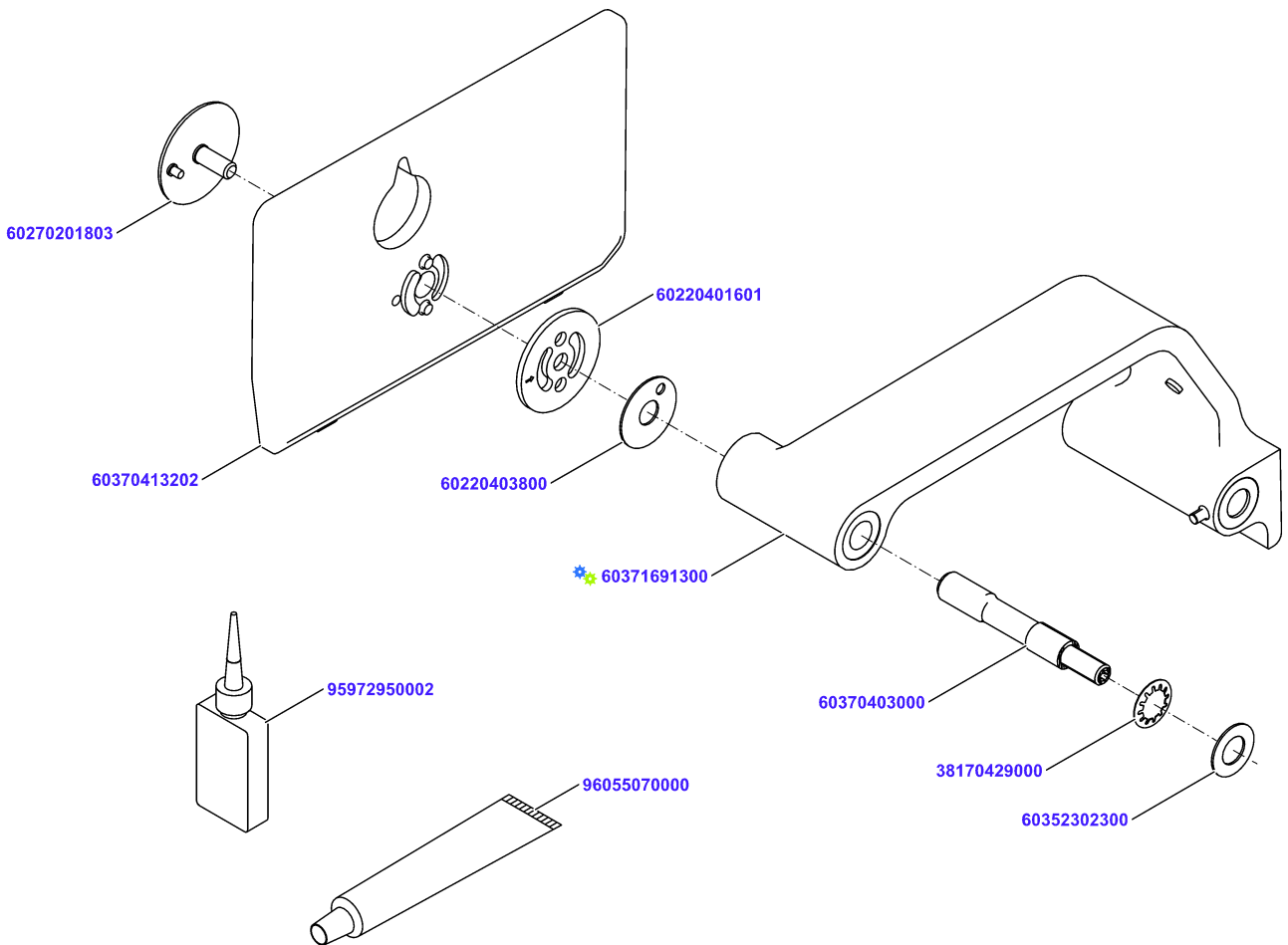
Carriage cpl 25Alu 1pc 90L C



Carriage cpl 25Alu 1pc 90L C

Material No.	Qty	Material description	available for order	Wear part	Recomm. sp. part	Metr. relevance
38014971003	1	Carriage Plate Welded 90mm L C				
38010566000	1	Carriage plate foot				
38188027000	3	Hexagon flange bolt M6x16-A2-70 Precote*				
38141752000	2	Bearing Pedestal 20 x 36				
57429160000	4	Hexagon Screw DIN 933-M4x16-A2-7				
38010555001	1	guide shaft				
38039831001	3	Disc spring DIN2093 10x4,2x0,5				
60353601701	5	shock absorber				
60371693500	1	Slider Protection and Lever C				
38170799000	1	Interlock Grivory				
38004459000	0,001	Loctite 648				
60240503100	2	Hexagon screw DIN 933 M4x10-A2-70				

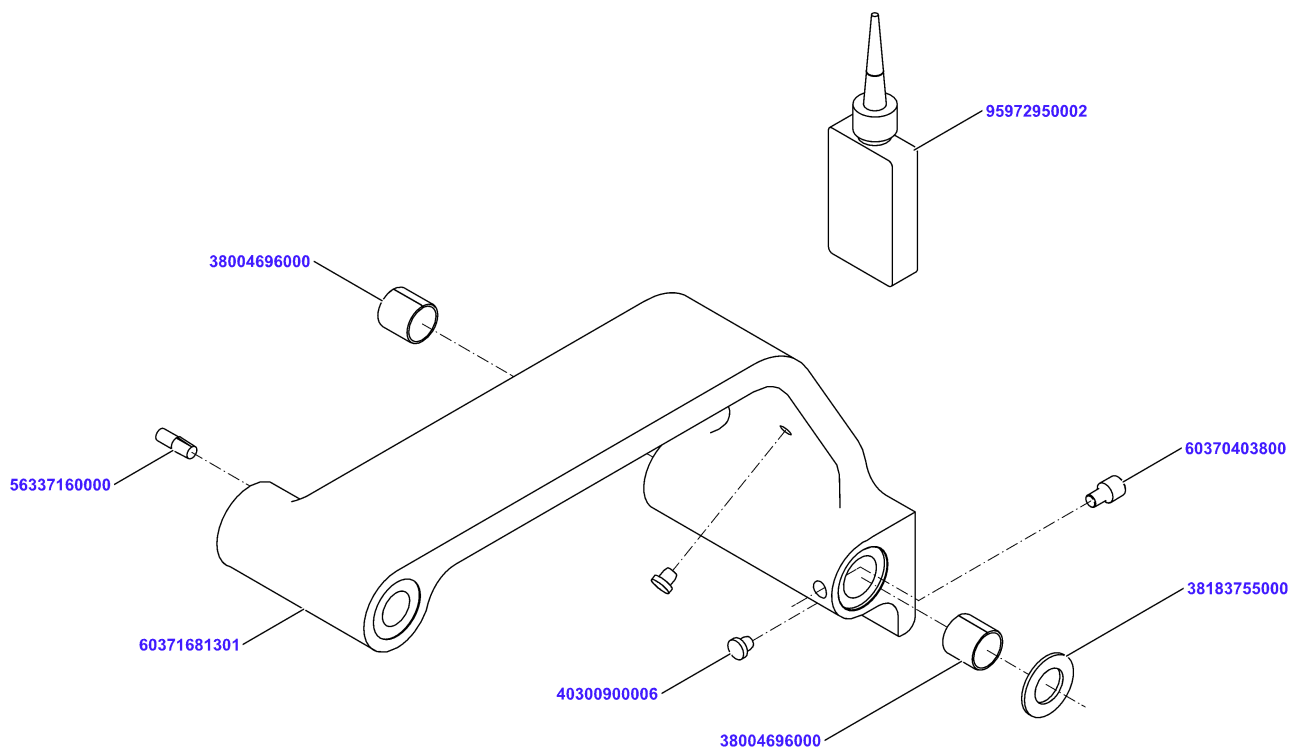
Slider Protection and Lever C



Slider Protection and Lever C

Material No.	Qty	Material description	available for order	Wear part	Recomm. sp. part	Metr. relevance
60371691300	1	Lever preassembled C	✓			
60370413202	1	Guard plate 134,8x230x8 - black	✓			
60270201803	1	Washer 50x2,5 with pin M8 & Precote	✓	✓	✓	
60220401601	1	Lock washer	✓			
60220403800	1	Washer POM - 35x12,1	✓			
60370403000	1	bolt	✓			
96055070000	0.005	Grease PARALIQ GA 343	✓			
95972950002	0,001	Loctite 243 50 ml 95972950002	✓			
38170429000	1	Disc spring 23,7x14,3x0,3x1,3 tf-k slot*	✓			
60352302300	1	Thrust washer	✓			

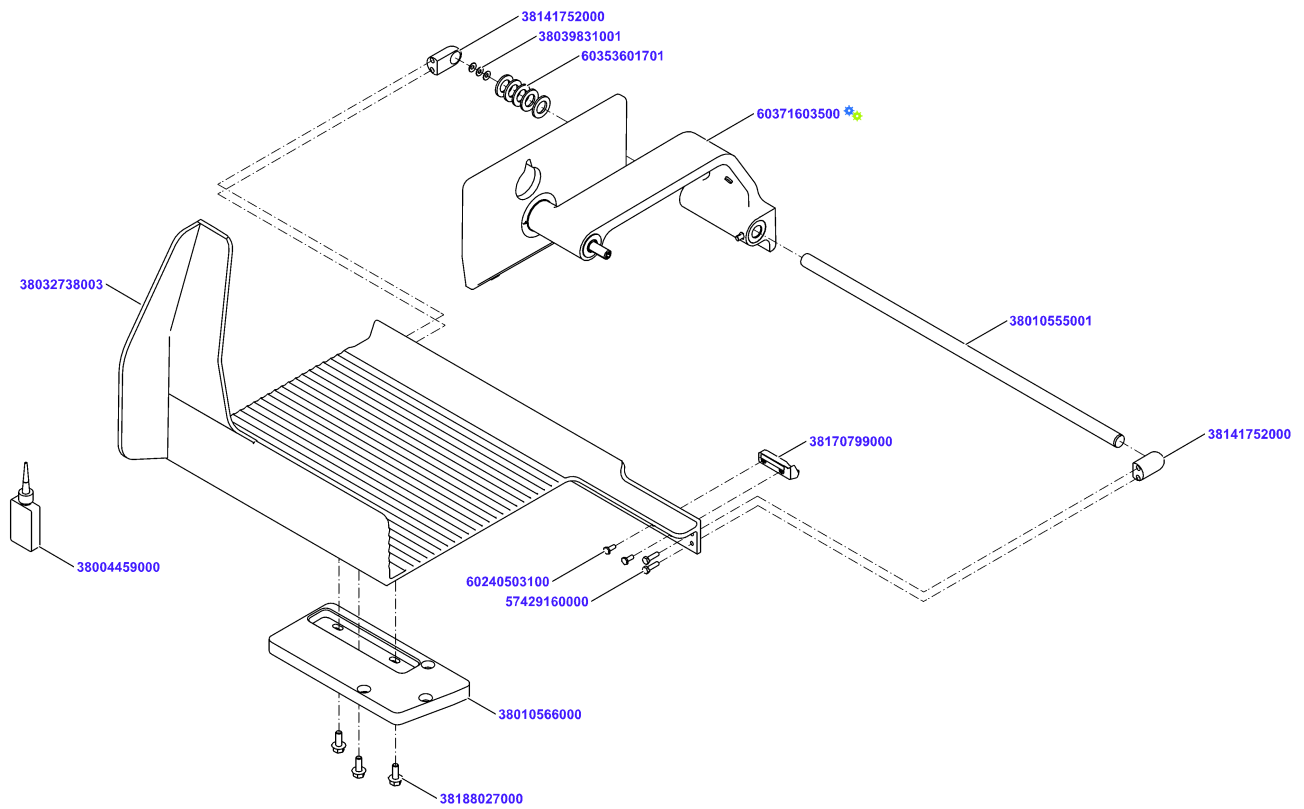
Lever preassembled C



Lever preassembled C

Material No.	Qty	Material description	available for order	Wear part	Recomm. sp. part	Metr. relevance
40300900006	2	slide pin				
56337160000	1	Grooved Pin DIN 1474-5x16 A2-70				
60370403800	1	Pin				
95972950002	0,001	Loctite 243 50 ml 95972950002				
38183755000	1	Washer 14,25x25x1,5				

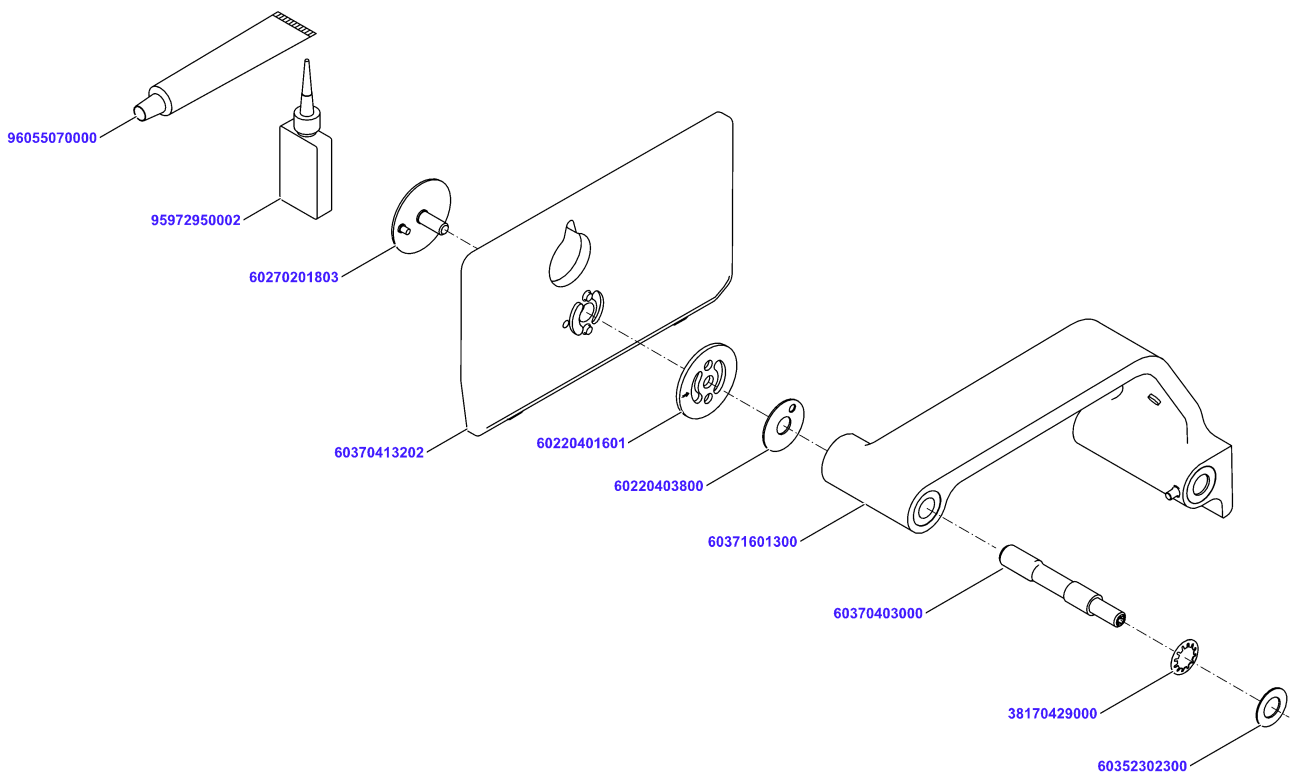
Carriage cpl 25Alu 1pc 90L nh



Carriage cpl 25Alu 1pc 90L nh

Material No.	Qty	Material description	available for order	Wear part	Recomm. sp. part	Metr. relevance
38032738003	1	Carriage Plate welded 90mm L nh				
38010566000	1	Carriage plate foot				
38188027000	3	Hexagon flange bolt M6x16-A2-70 Precote*				
38141752000	2	Bearing Pedestal 20 x 36				
38004459000	0,001	Loctite 648				
57429160000	4	Hexagon Screw DIN 933-M4x16-A2-7				
38010555001	1	guide shaft				
38039831001	3	Disc spring DIN2093 10x4,2x0,5				
60353601701	5	shock absorber				
60371603500	1	Slider Protection and Lever				
38170799000	1	Interlock Grivory				
60240503100	2	Hexagon screw DIN 933 M4x10-A2-70				

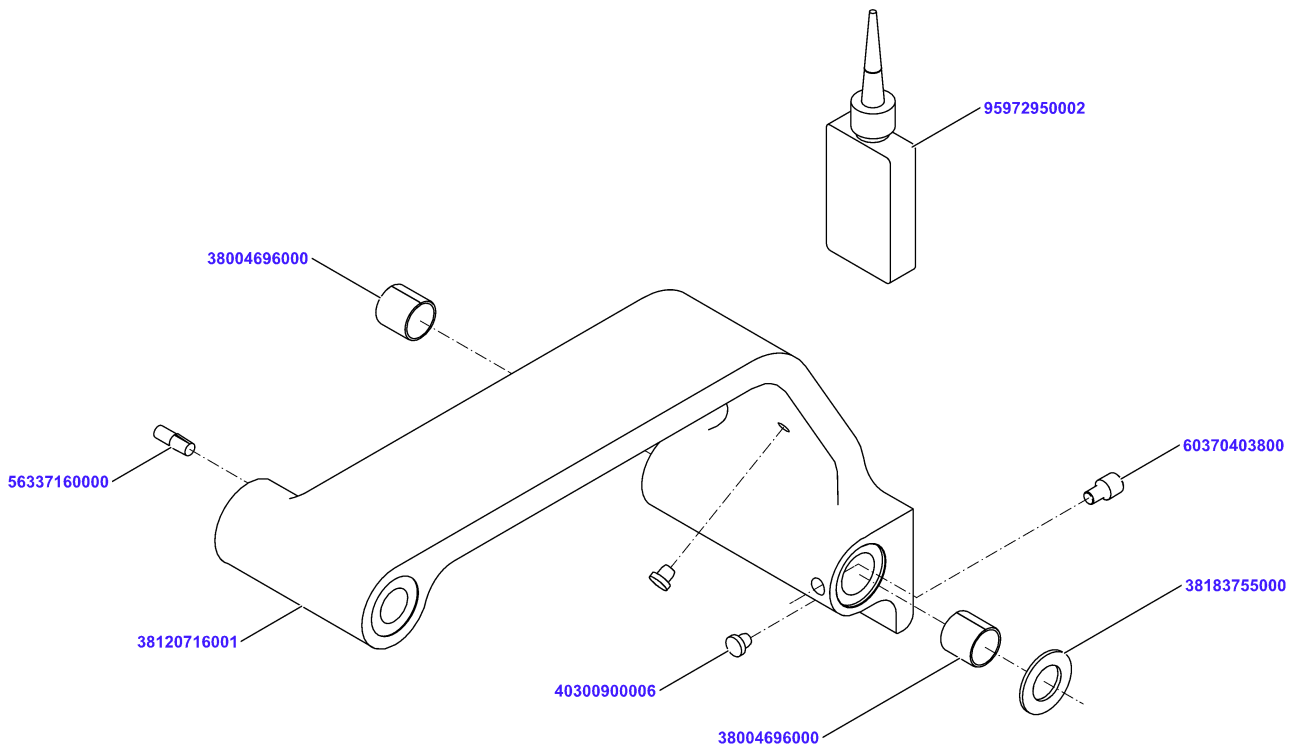
Slider Protection and Lever



Slider Protection and Lever

Material No.	Qty	Material description	available for order	Wear part	Recomm. sp. part	Metr. relevance
60371601300	1	Lever preassembled	✓			
60370413202	1	Guard plate 134,8x230x8 - black	✓			
60270201803	1	Washer 50x2,5 with pin M8 & Precote	✓	✓	✓	
60220401601	1	Lock washer	✓			
60220403800	1	Washer POM - 35x12,1	✓			
60370403000	1	bolt	✓			
96055070000	0,005	Grease PARALIQ GA 343	✓			
95972950002	0,001	Loctite 243 50 ml 95972950002	✓			
38170429000	1	Disc spring 23,7x14,3x0,3x1,3 tf-k slot*	✓			
60352302300	1	Thrust washer	✓			

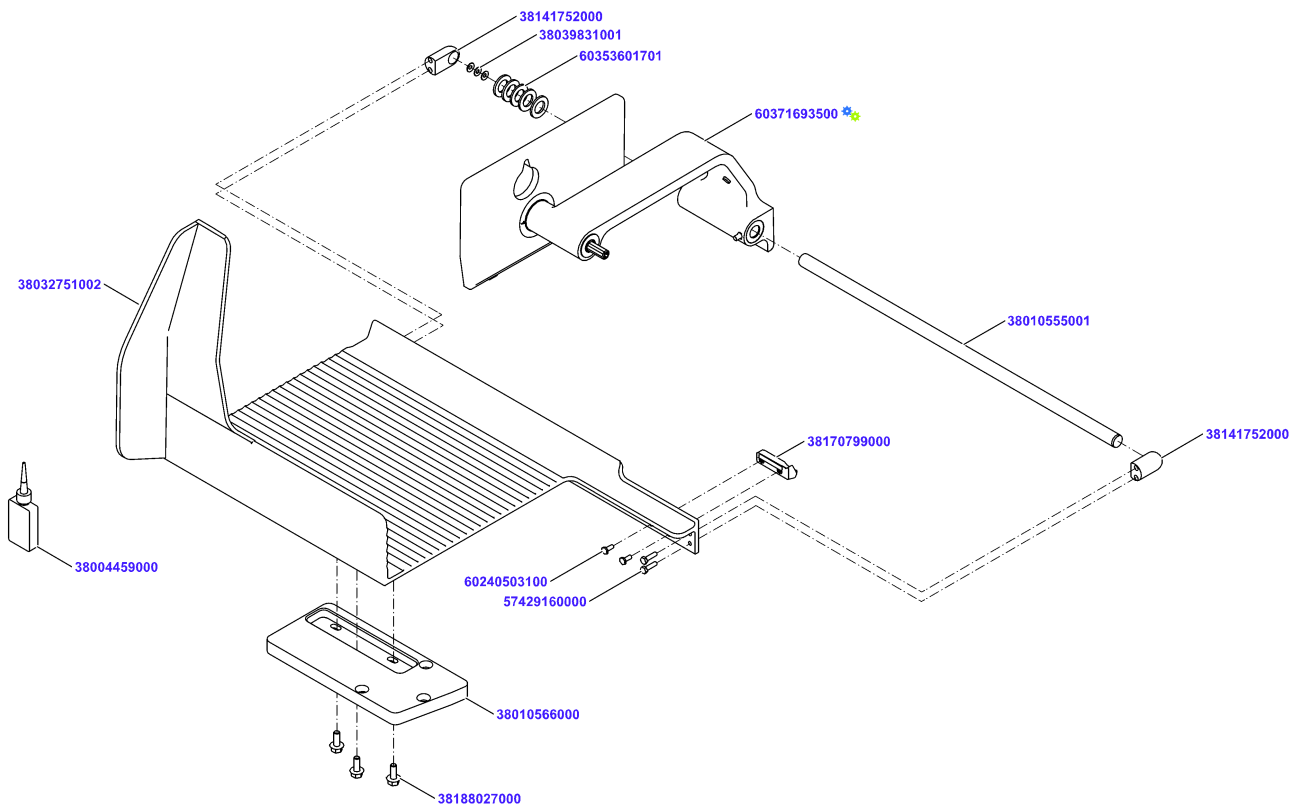
Lever preassembled















Lever preassembled

Material No.	Qty	Material description	available for order	Wear part	Recomm. sp. part	Metr. relevance
40300900006	2	slide pin				
56337160000	1	Grooved Pin DIN 1474-5x16 A2-70				
60370403800	1	Pin				
95972950002	0,001	Loctite 243 50 ml 95972950002				
38183755000	1	Washer 14,25x25x1,5				

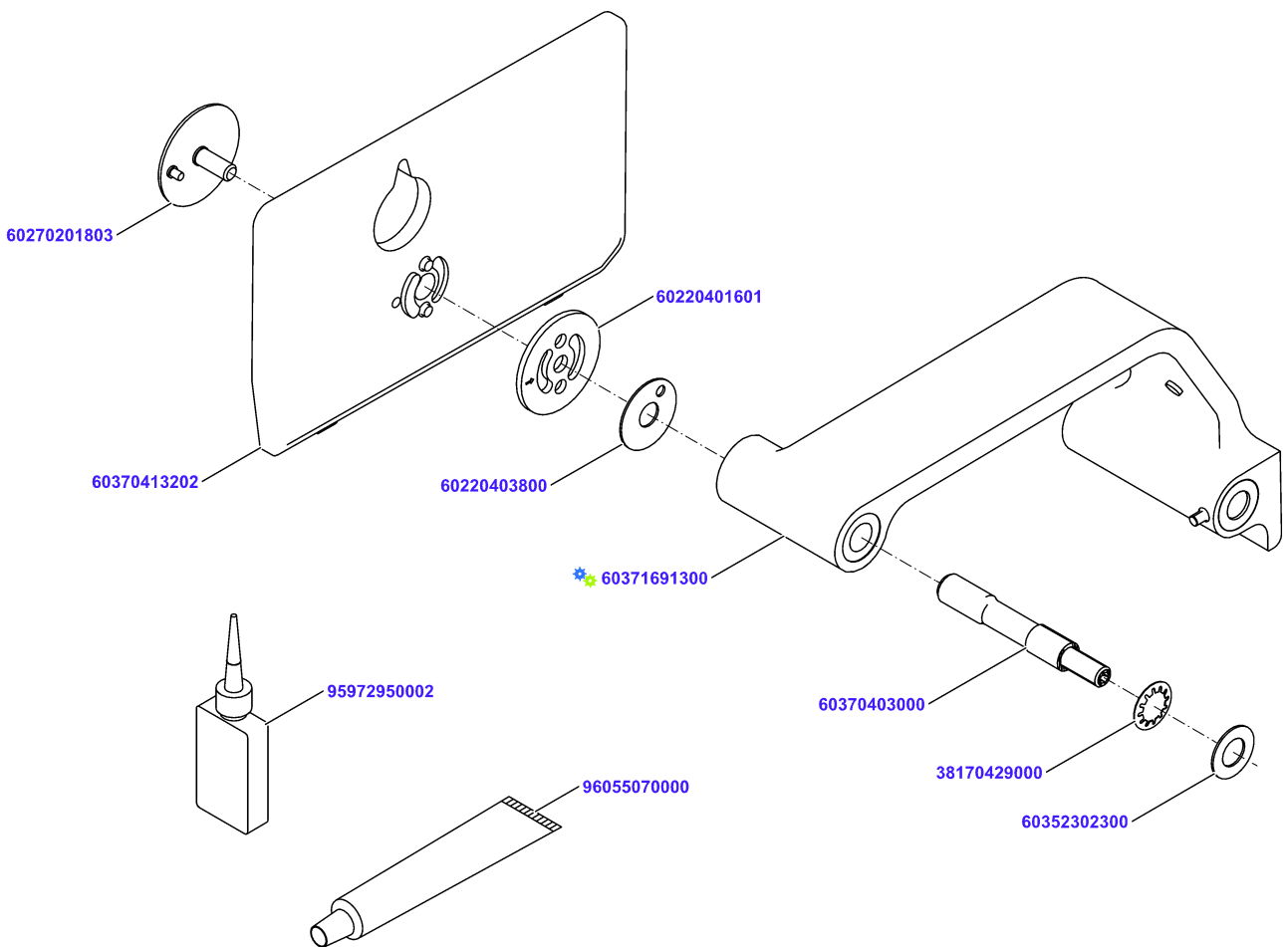
Carriage cpl 25Alu 1pc 90L nh C



Carriage cpl 25Alu 1pc 90L nh C

Material No.	Qty	Material description	available for order	Wear part	Recomm. sp. part	Metr. relevance
38032751002	1	Carriage Plate welded 90mm L C nh				
38010566000	1	Carriage plate foot				
38188027000	3	Hexagon flange bolt M6x16-A2-70 Precote*				
38141752000	2	Bearing Pedestal 20 x 36				
38004459000	0,001	Loctite 648				
57429160000	4	Hexagon Screw DIN 933-M4x16-A2-7				
38010555001	1	guide shaft				
38039831001	3	Disc spring DIN2093 10x4,2x0,5				
60353601701	5	shock absorber				
60371693500	1	Slider Protection and Lever C				
38170799000	1	Interlock Grivory				
60240503100	2	Hexagon screw DIN 933 M4x10-A2-70				

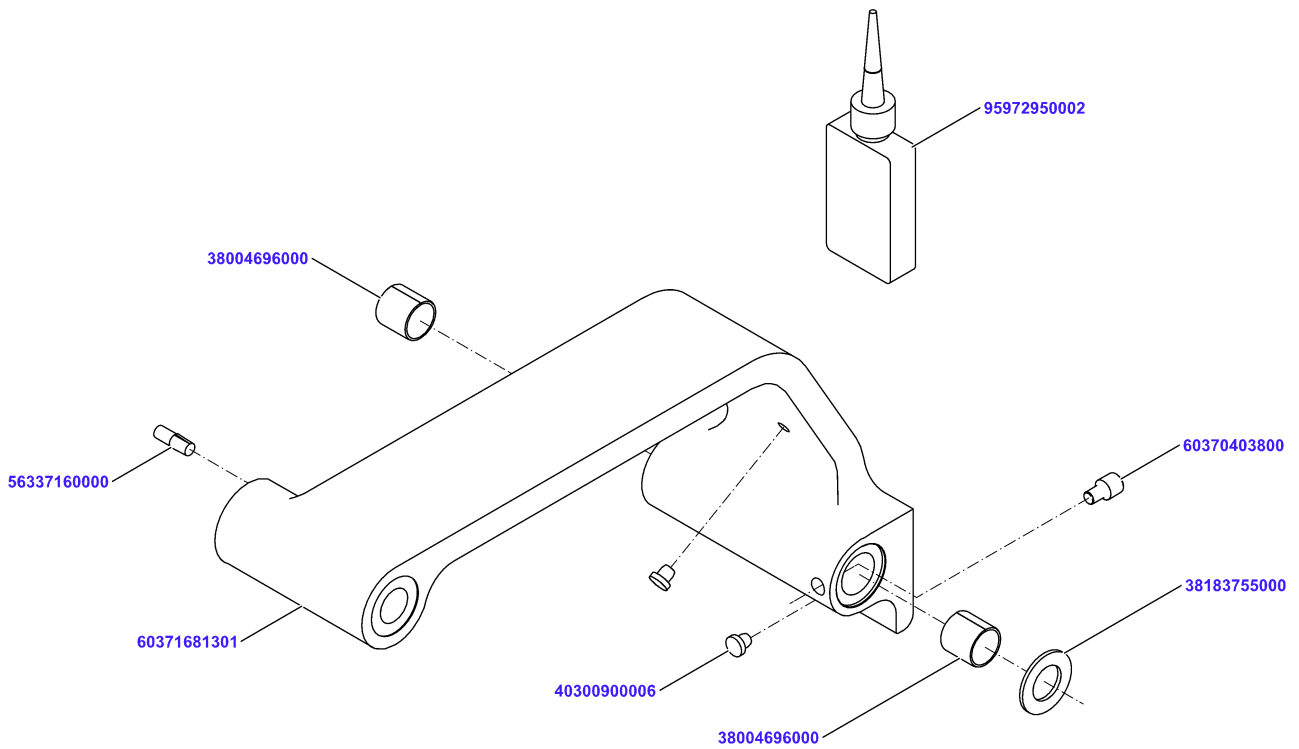
Slider Protection and Lever C



Slider Protection and Lever C

Material No.	Qty	Material description	available for order	Wear part	Recomm. sp. part	Metr. relevance
60371691300	1	Lever preassembled C	✓			
60370413202	1	Guard plate 134,8x230x8 - black	✓			
60270201803	1	Washer 50x2,5 with pin M8 & Precote	✓	✓	✓	
60220401601	1	Lock washer	✓			
60220403800	1	Washer POM - 35x12,1	✓			
60370403000	1	bolt	✓			
96055070000	0.005	Grease PARALIQ GA 343	✓			
95972950002	0,001	Loctite 243 50 ml 95972950002	✓			
38170429000	1	Disc spring 23,7x14,3x0,3x1,3 tf-k slot*	✓			
60352302300	1	Thrust washer	✓			

Lever preassembled C



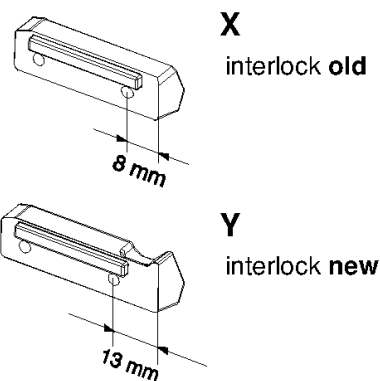
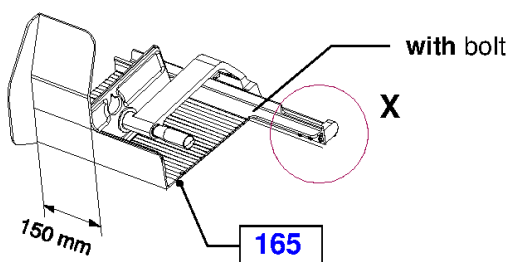
Lever preassembled C

Material No.	Qty	Material description	available for order	Wear part	Recomm. sp. part	Metr. relevance
40300900006	2	slide pin				
56337160000	1	Grooved Pin DIN 1474-5x16 A2-70				
60370403800	1	Pin				
95972950002	0,001	Loctite 243 50 ml 95972950002				
38183755000	1	Washer 14,25x25x1,5				

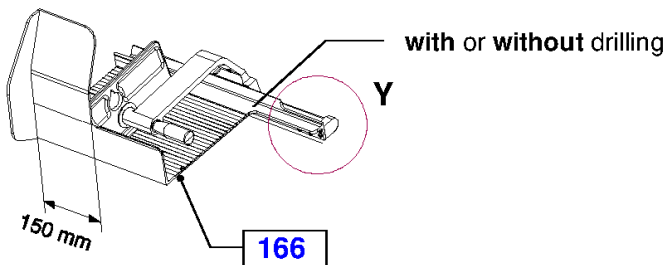
Carriage 25°, alu welded or transparent, L=150 mm

Carriage compl. 25°, alu welded or transparent, L=150 mm

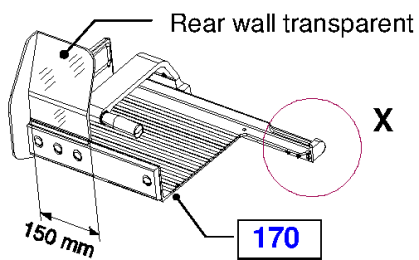
Alu welded, 1pc, L=150 mm, interlock old, with bolt



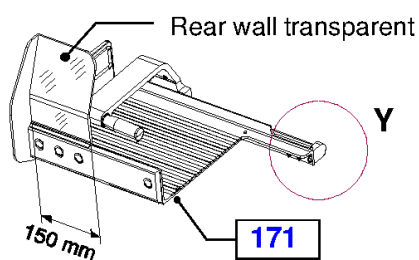
Alu welded, 1pc, L=150 mm, interlock new, with or without drilling



Transparent, L=150 mm, interlock old



Transparent, L=150 mm, interlock new



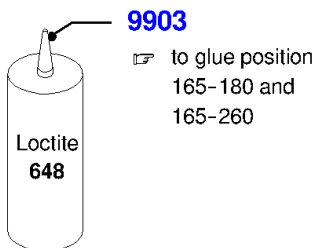
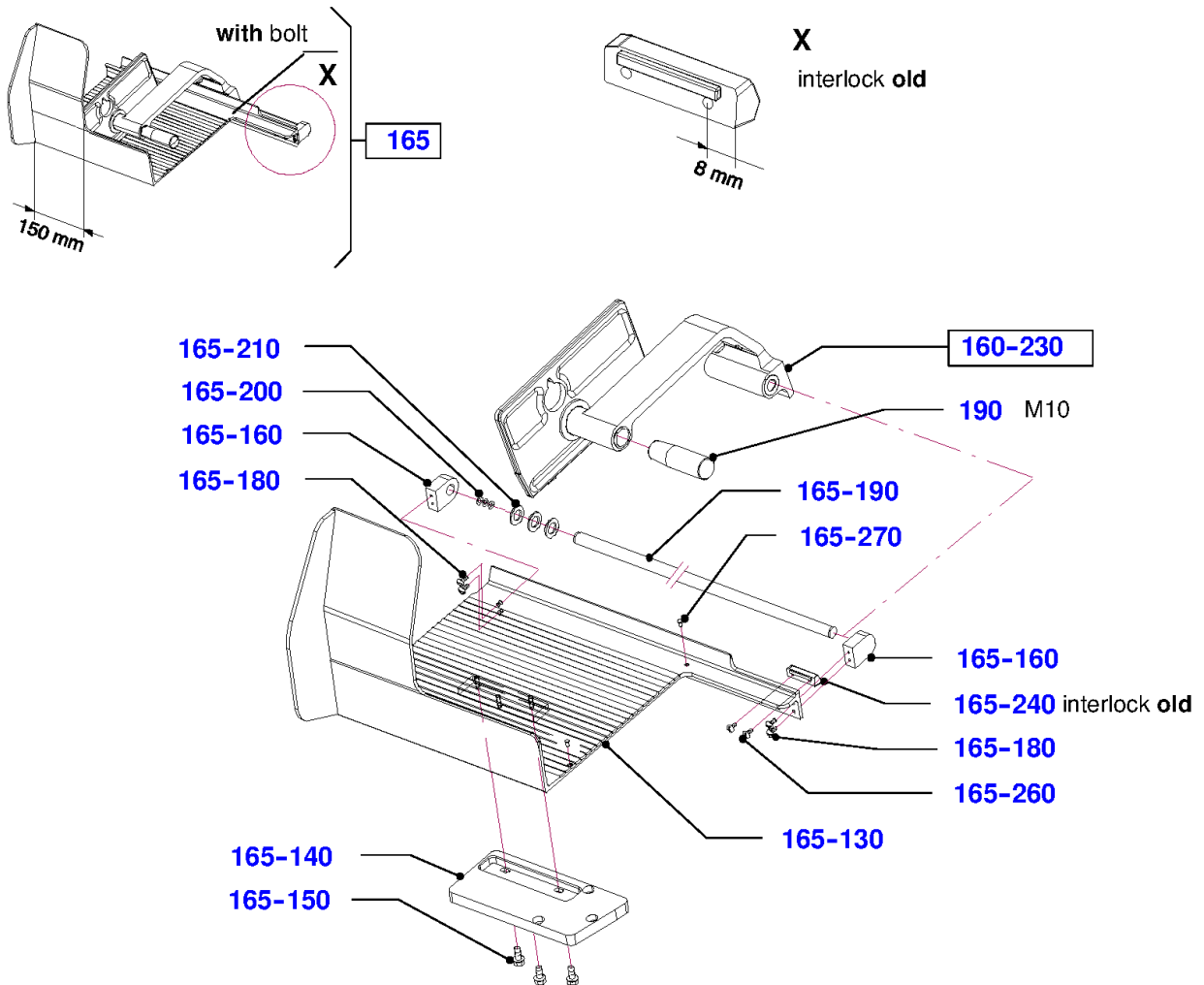
Carriage 25°, alu welded or transparent, L=150 mm

Item	Material No.	Qty	Material description	available for order	Wear part	Recomm. sp. part	Metr. relevance
165	60378016500	001	CARRIAGE CPL 25ALU 1PC 150L (OLD INTERLOCK)				
166	60378016502	001	Carriage cpl 25Alu 1pc 150L				
166	60378016602	001	Carriage cpl 25Alu 1pc 150L C				
166	60378018201	001	Carriage cpl 25Alu 1pc 150L nh				
166	60378018301	001	Carriage cpl 25Alu 1pc 150L nh C				
170	60378016200	001	CARRIAGE CPL 25TRANSP 150L (OLD INTERLOCK)				
171	60378016202	001	CARRIAGE CPL 25TRANSP 150L (NEW INTERLOCK)				

Carriage 25°, alu welded or transparent, L=150 mm

Carriage compl. 25°, alu welded, 1pc, L=150 mm with bolt, interlock old

Carriage compl. 25°, alu welded, 1pc, L=150 mm
with bolt, interlock old



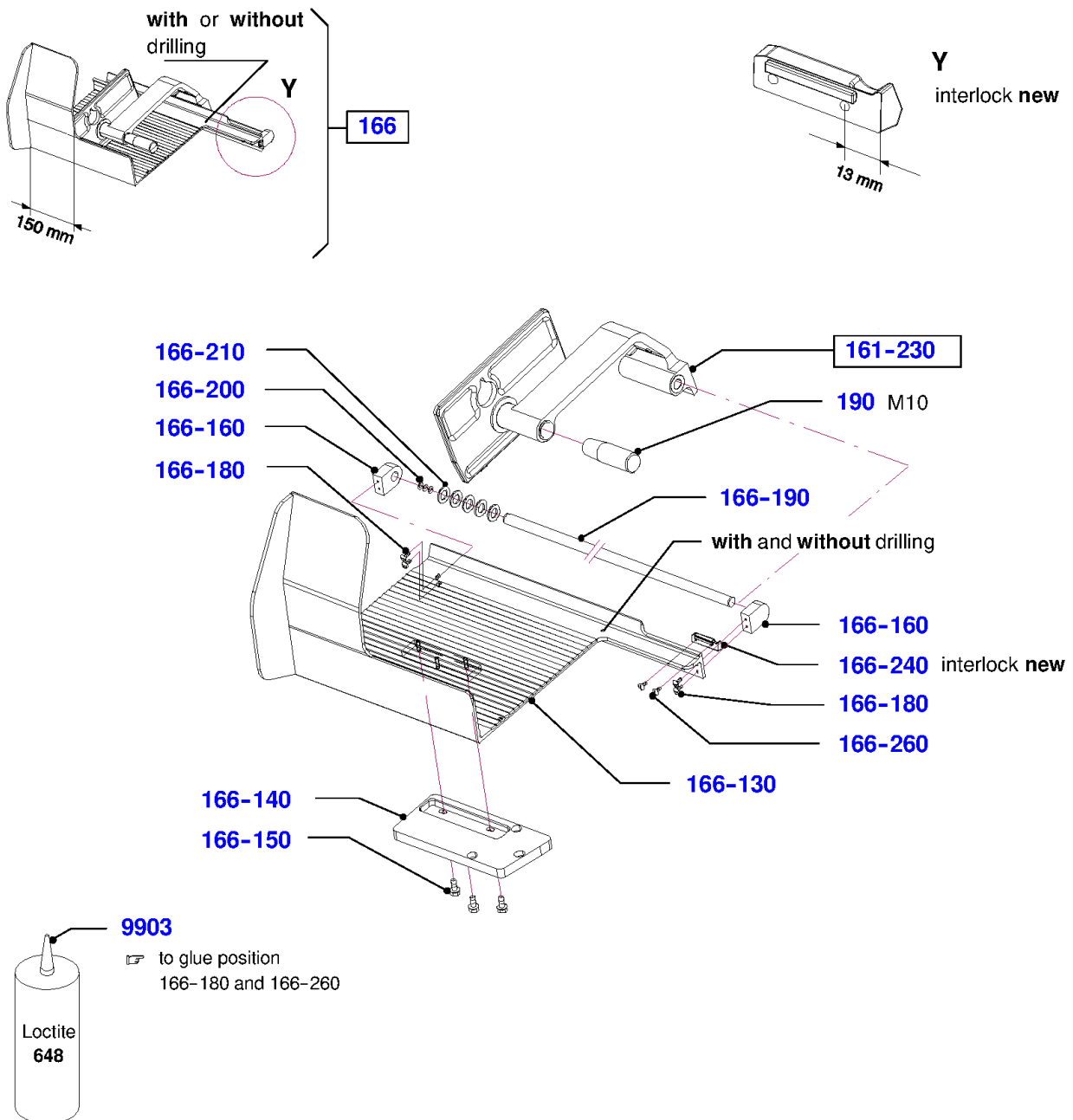
Carriage 25°, alu welded or transparent, L=150 mm

Item	Material No.	Qty	Material description	available for order	Wear part	Recomm. sp. part	Metr. relevance
160-230	60371603101	001	SLIDER PROTECTION AND LEVER	✓			
165	60378016500	001	CARRIAGE CPL 25ALU 1PC 150L (OLD INTERLOCK)	✓			
165-130	60371640100	001	CARRIAGE PLATE WELDED 150MM	✓			
165-140	38010566000	001	Carriage plate foot	✓			
165-150	38900063000	003	Hexagon flange bolt DIN6921 M6x16-A2-70	✓			
165-160	38010519001	002	BEARING PEDESTAL	✓			
165-180	56972510000	004	Mushroom Head Screw M4x12-A2-70	✓			
165-190	38010555000	001	GUIDE SHAFT	✓			
165-200	50001510000	003	Disc spring 11x6,2x0,3	✓			
165-210	60353601701	003	shock absorber	✓			
165-240	38010518000	001	INTERLOCK (OLD INTERLOCK)	✓			
165-260	56972540000	002	Mushroom head screw M4x10-A2-70	✓			
165-270	60274601001	002	Bolt PA - 4,1x4,5	✓			
190	60370303700	001	Handhold 27,5x89,5 M10x35 PA black	✓			
190	38032678000	001	Handhold 27,5x89,5 M10x35 PA red	✓			
9903	95972840000	001	LOCTITE 648 10M	✓			

Carriage 25°, alu welded or transparent, L=150 mm

Carriage compl. 25°, alu welded, 1pc, L=150 mm, with or without drilling interlock new

Carriage compl. 25°, alu welded, 1pc, L=150 mm, with or without drilling interlock new



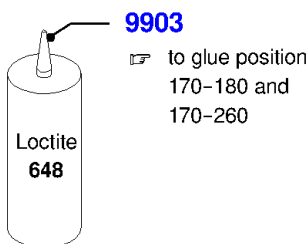
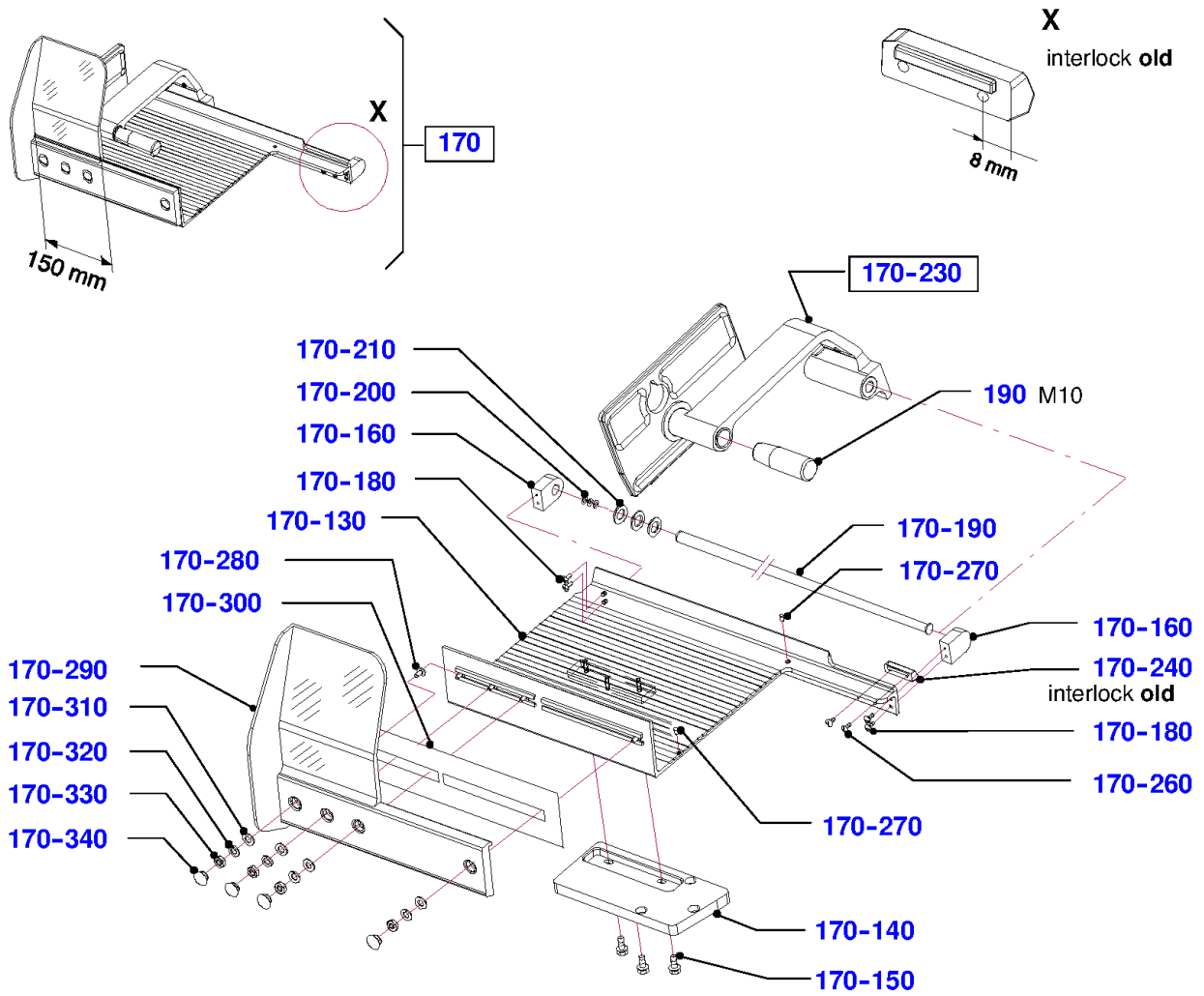
Carriage 25°, alu welded or transparent, L=150 mm

Item	Material No.	Qty	Material description	available for order	Wear part	Recomm. sp. part	Metr. relevance
161-230	60371603103	001	SLIDER PROTECTION AND LEVER	✓			
161-230	60371693103	001	SLIDER PROTECTION AND LEVER C	✓			
166	60378016502	001	Carriage cpl 25Alu 1pc 150L	✓			
166	60378016602	001	Carriage cpl 25Alu 1pc 150L C	✓			
166	60378018201	001	Carriage cpl 25Alu 1pc 150L nh	✓			
166	60378018301	001	Carriage cpl 25Alu 1pc 150L nh C	✓			
166-130	60371640101	001	CARRIAGE PLATE WELDED 150MM	✓			
166-130	38014978001	001	CARRIAGE PLATE WELDED 150MM L C	✓			
166-130	38032820000	001	CARRIAGE PLATE WELDED 150MM L NH (WITHOUT DRILLED HOLE)	✓			
166-130	38032821000	001	CARRIAGE PLATE WELDED 150MM L C NH (WITHOUT DRILLED HOLE)	✓			
166-140	38010566000	001	Carriage plate foot	✓			
166-140	38014968000	001	Carriage plate foot C	✓			
166-150	38900063000	003	Hexagon flange bolt DIN6921 M6x16-A2-70	✓			
166-160	38010519001	002	BEARING PEDESTAL	✓			
166-160	38014966001	002	BEARING PEDESTAL C	✓			
166-180	56972530000	004	Mushroom head screw M4x16-A2-70	✓			
166-190	38010555001	001	guide shaft	✓			
166-200	50001510000	003	Disc spring 11x6,2x0,3	✓			
166-210	60353601701	005	shock absorber	✓			
166-240	38012320001	001	Interlock machined part	✓			
166-260	56972540000	002	Mushroom head screw M4x10-A2-70	✓			
190	60370303700	001	Handhold 27,5x89,5 M10x35 PA black	✓			
190	38032678000	001	Handhold 27,5x89,5 M10x35 PA red	✓			
9903	95972840000	001	LOCTITE 648 10M	✓			

Carriage 25°, alu welded or transparent, L=150 mm

Carriage compl. 25°, transparent, L=150 mm interlock old

Carriage compl. 25°, transparent, L=150 mm
interlock old



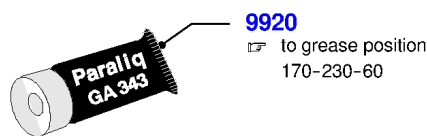
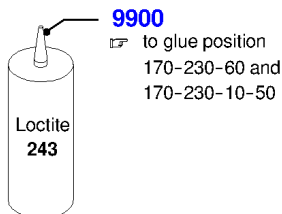
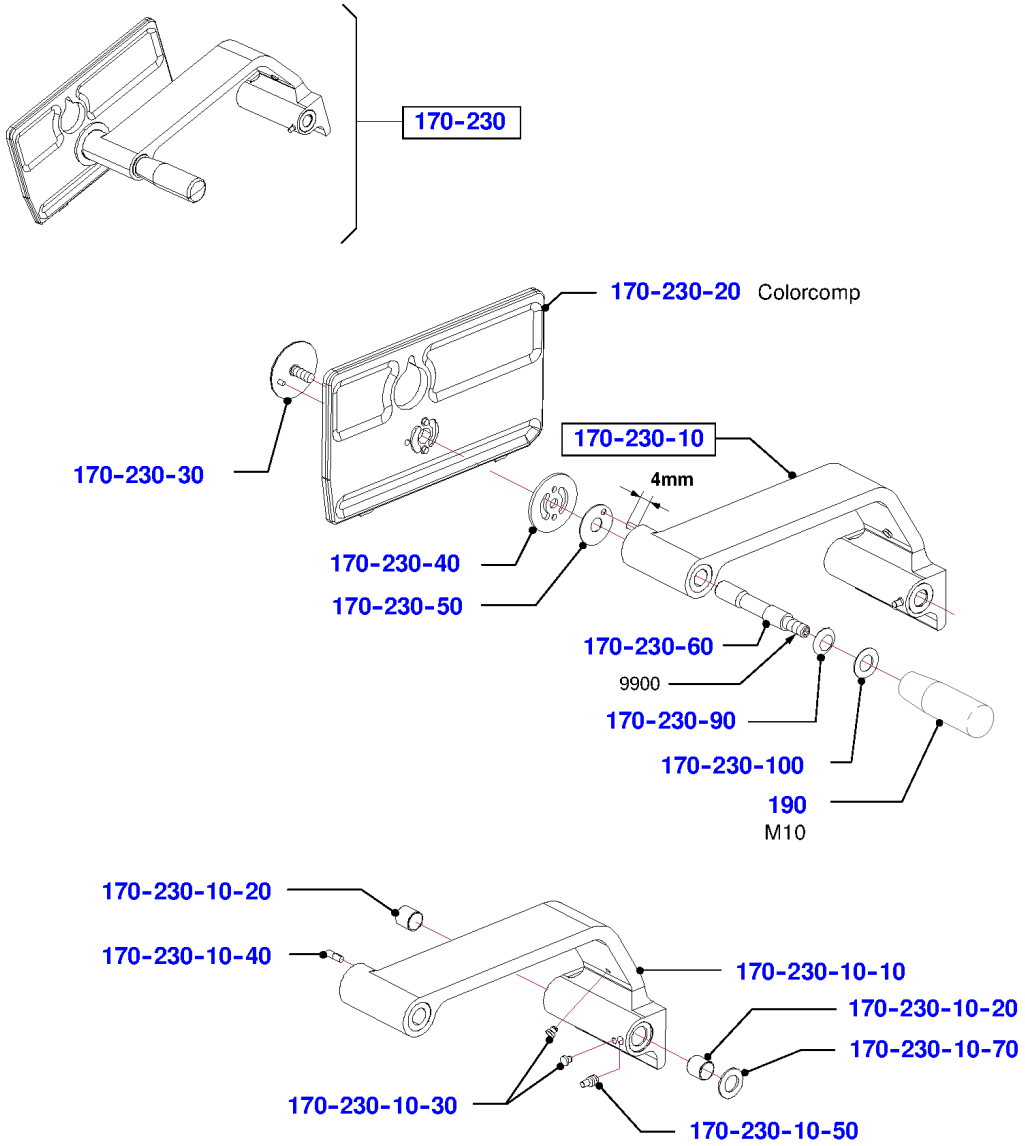
Carriage 25°, alu welded or transparent, L=150 mm

Item	Material No.	Qty	Material description	available for order	Wear part	Recomm. sp. part	Metr. relevance
170	60378016200	001	CARRIAGE CPL 25TRANSP 150L (OLD INTERLOCK)	✓			
170-130	38009277000	001	CARRIAGE PLATE IBERO	✓			
170-140	38010566000	001	Carriage plate foot	✓			
170-150	38900063000	003	Hexagon flange bolt DIN6921 M6x16-A2-70	✓			
170-160	38010519001	002	BEARING PEDESTAL	✓			
170-180	56972510000	004	Mushroom Head Screw M4x12-A2-70	✓			
170-190	38010555000	001	GUIDE SHAFT	✓			
170-200	50001510000	003	Disc spring 11x6,2x0,3	✓			
170-210	60353601701	003	shock absorber	✓			
170-230	60371604102	001	SLIDER PROTECTION AND LEVER (COLORCOMP)	✓			
170-240	38010518000	001	INTERLOCK (OLD INTERLOCK)	✓			
170-260	56972540000	002	Mushroom head screw M4x10-A2-70	✓			
170-270	60274601001	002	Bolt PA - 4,1x4,5	✓			
170-280	60370401900	004	Screw	✓			
170-290	60370302101	001	REAR WALL 150MM	✓			
170-300	60370402001	001	adhesive foil	✓			
170-310	56739050000	004	Washer DIN 125-A 5_3 -A2-70 56739050000	✓			
170-320	57767050000	004	Spring lock washer DIN128-A5-FSt	✓			
170-330	56444500000	004	Hexagon nut DIN439-M5-A2	✓			
170-340	60370402200	004	PROTECTIVE PLUG	✓		✓	
190	60370303700	001	Handhold 27,5x89,5 M10x35 PA black	✓			
190	38032678000	001	Handhold 27,5x89,5 M10x35 PA red	✓			
9903	95972840000	001	LOCTITE 648 10M	✓			

Carriage 25°, alu welded or transparent, L=150 mm

Slider protection (Colorcomp) and lever, compl.

Slider protection (Colorcomp) and lever, compl.



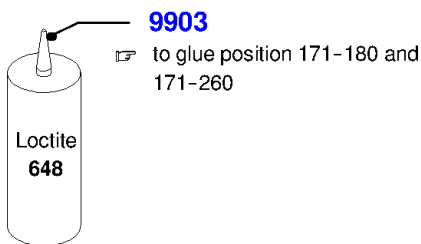
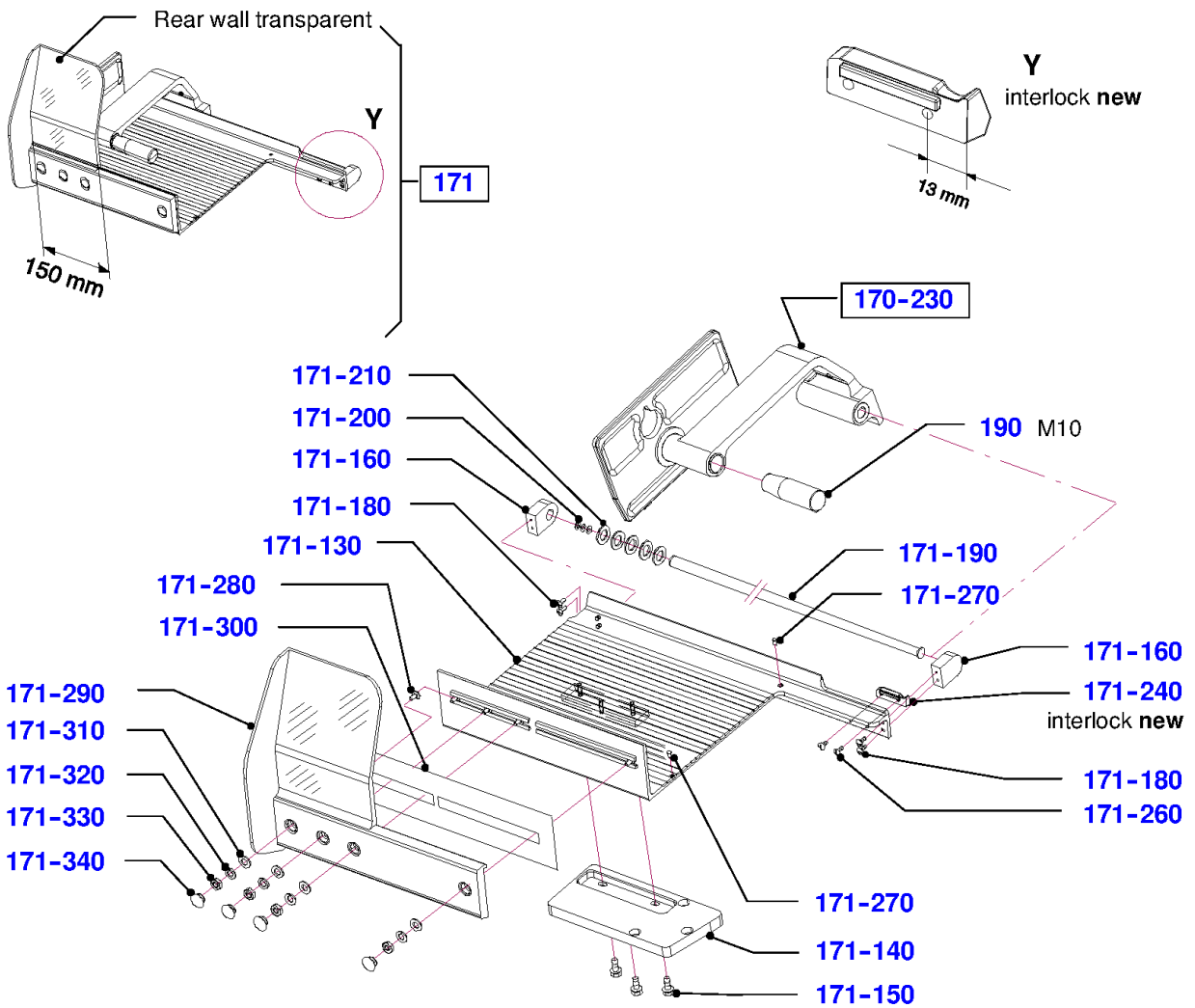
Carriage 25°, alu welded or transparent, L=150 mm

Item	Material No.	Qty	Material description	available for order	Wear part	Recomm. sp. part	Metr. relevance
170-230	60371604102	001	SLIDER PROTECTION AND LEVER (COLORCOMP)	✓			
170-230-10	60371601201	001	LEVER PREMOUNT.	✓			
170-230-10-10	38008669001	001	LEVER	✓			
170-230-10-20	38004696000	002	Plain bearing 14x16x15	✓			
170-230-10-30	40300900006	002	slide pin	✓	✓		
170-230-10-40	56337160000	001	Grooved Pin DIN 1474-5x16 A2-70	✓			
170-230-10-50	60370403800	001	Pin	✓			
170-230-10-70	38008734000	001	WASHER	✓			
170-230-20	60370203203	001	GUARD PLATE 135,5x230 - transparent	✓			
170-230-30	60270201802	001	Washer with pin	✓	✓		
170-230-40	60220401600	001	Lock washer	✓			
170-230-50	60220403800	001	Washer POM - 35x12,1	✓			
170-230-60	60370403000	001	bolt	✓			
170-230-90	50001540000	001	Disc spring 23,7x14,3x0,3	✓			
170-230-100	60352302300	001	Thrust washer	✓			
190	60370303700	001	Handhold 27,5x89,5 M10x35 PA black	✓			
190	38032678000	001	Handhold 27,5x89,5 M10x35 PA red	✓			
9900	95972940000	001	LOCTITE 243 10ML	✓			
9920	94008908076	001	GREASE PARALIQ GA343 H1 25ML	✓			

Carriage 25°, alu welded or transparent, L=150 mm

Carriage compl. 25°, transparent, L=150 mm interlock new

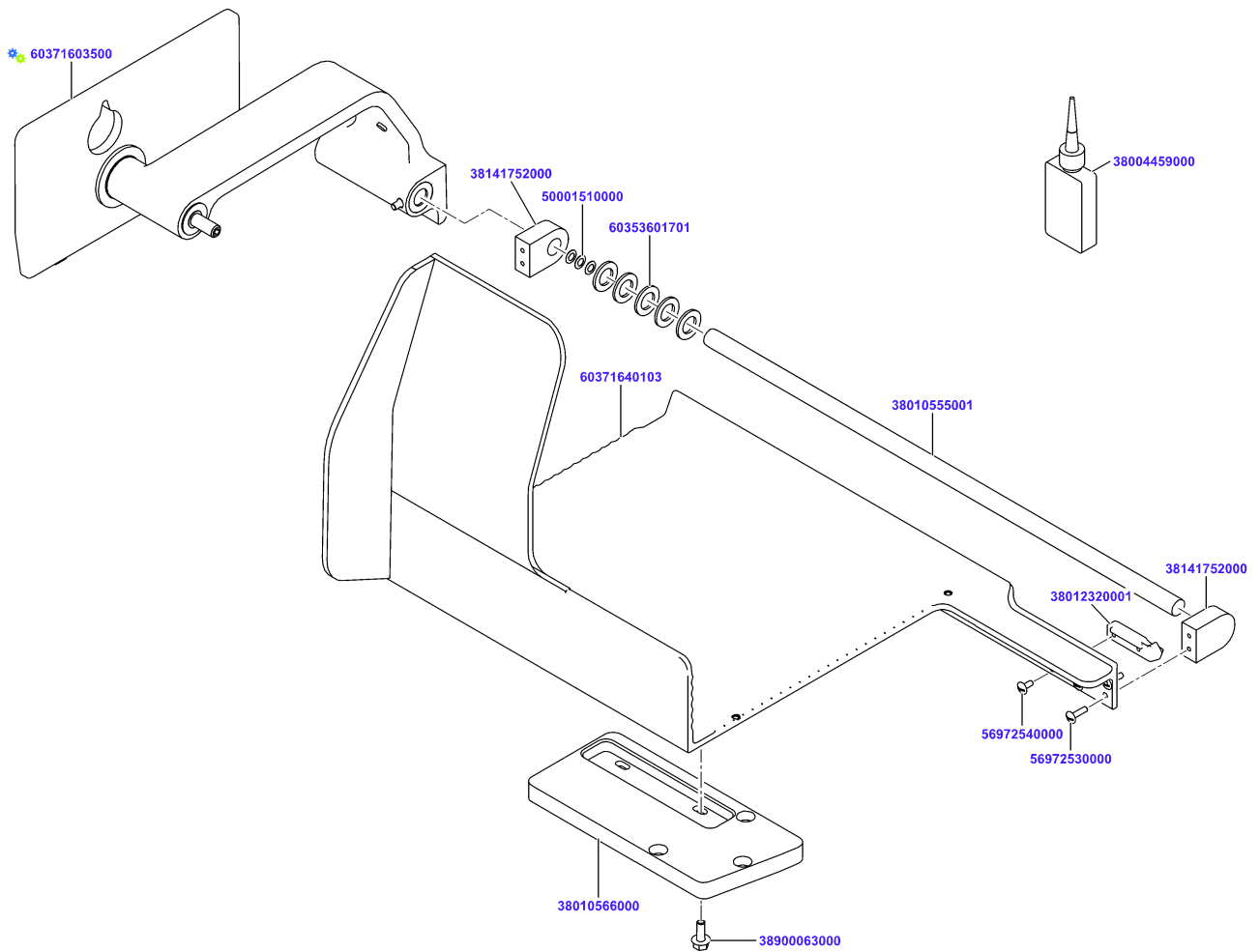
Carriage compl. 25°, transparent, L=150 mm
interlock new
















Carriage 25°, alu welded or transparent, L=150 mm

Item	Material No.	Qty	Material description	available for order	Wear part	Recomm. sp. part	Metr. relevance
170-230	60371604102	001	SLIDER PROTECTION AND LEVER (COLORCOMP)	✓			
171	60378016202	001	CARRIAGE CPL 25TRANSP 150L (NEW INTERLOCK)	✓			
171-130	38009277001	001	CARRIAGE PLATE IBERO	✓			
171-140	38010566000	001	Carriage plate foot	✓			
171-150	38900063000	003	Hexagon flange bolt DIN6921 M6x16-A2-70	✓			
171-160	38010519001	002	BEARING PEDESTAL	✓			
171-180	56972530000	004	Mushroom head screw M4x16-A2-70	✓			
171-190	38010555001	001	guide shaft	✓			
171-200	50001510000	003	Disc spring 11x6,2x0,3	✓			
171-210	60353601701	005	shock absorber	✓			
171-240	38012320001	001	Interlock machined part	✓			
171-260	56972540000	002	Mushroom head screw M4x10-A2-70	✓			
171-270	60274601001	002	Bolt PA - 4,1x4,5	✓			
171-280	60370401900	004	Screw	✓			
171-290	60370302100	001	REAR WALL WIDE	✓		✓	
171-300	60370402001	001	adhesive foil	✓			
171-310	56739050000	004	Washer DIN 125-A 5_3 -A2-70 56739050000	✓			
171-320	57767050000	004	Spring lock washer DIN128-A5-FSt	✓			
171-330	56444500000	004	Hexagon nut DIN439-M5-A2	✓			
171-340	60370402200	004	PROTECTIVE PLUG	✓		✓	
190	60370303700	001	Handhold 27,5x89,5 M10x35 PA black	✓			
190	38032678000	001	Handhold 27,5x89,5 M10x35 PA red	✓			
9903	95972840000	001	LOCTITE 648 10M	✓			

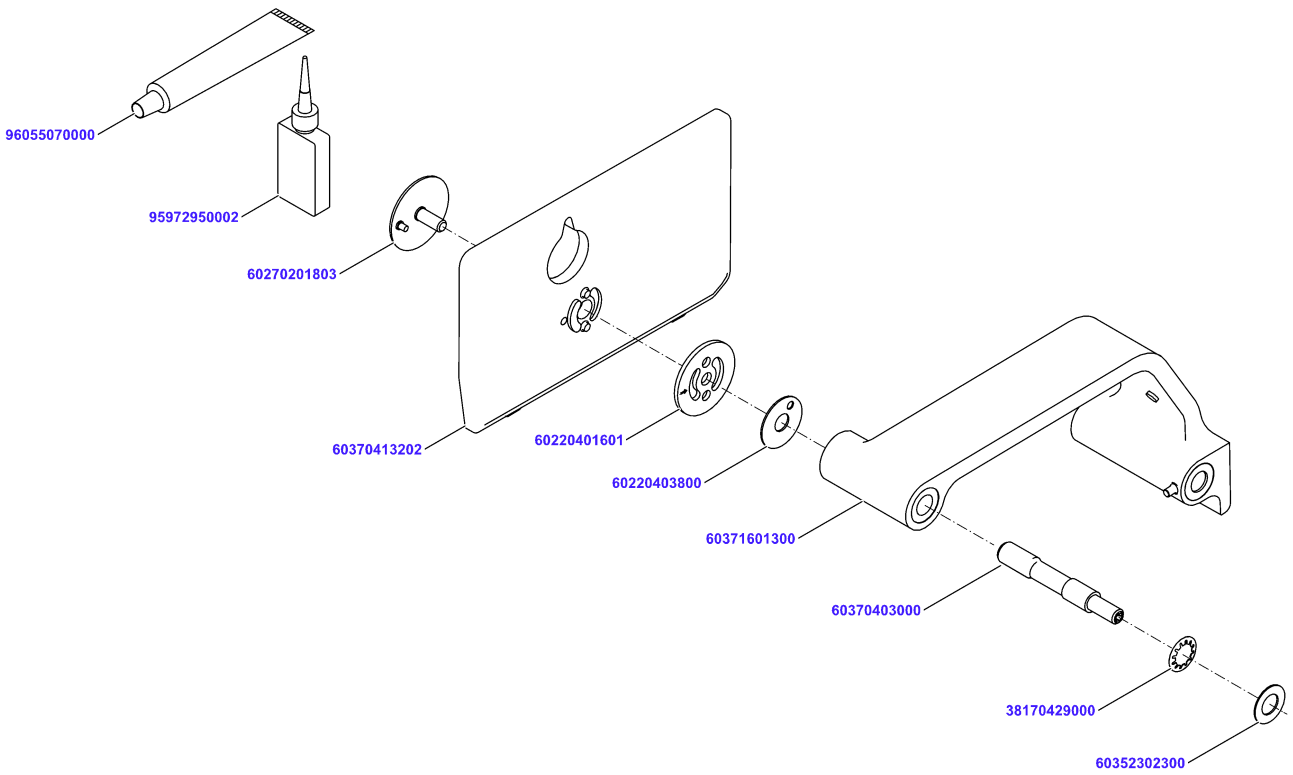
Carriage cpl 25Alu 1pc 150L















Carriage cpl 25Alu 1pc 150L

Material No.	Qty	Material description	available for order	Wear part	Recomm. sp. part	Metr. relevance
60371640103	1	Carriage plate welded 150mm				
38010566000	1	Carriage plate foot				
38900063000	3	Hexagon flange bolt DIN6921 M6x16-A2-70				
38141752000	2	Bearing Pedestal 20 x 36				
38004459000	0,001	Loctite 648				
56972530000	4	Mushroom head screw M4x16-A2-70				
38010555001	1	guide shaft				
50001510000	3	Disc spring 11x6,2x0,3				
60353601701	5	shock absorber				
60371603500	1	Slider Protection and Lever				
38012320001	1	Interlock machined part				
38004459000	0,001	Loctite 648				
56972540000	2	Mushroom head screw M4x10-A2-70				

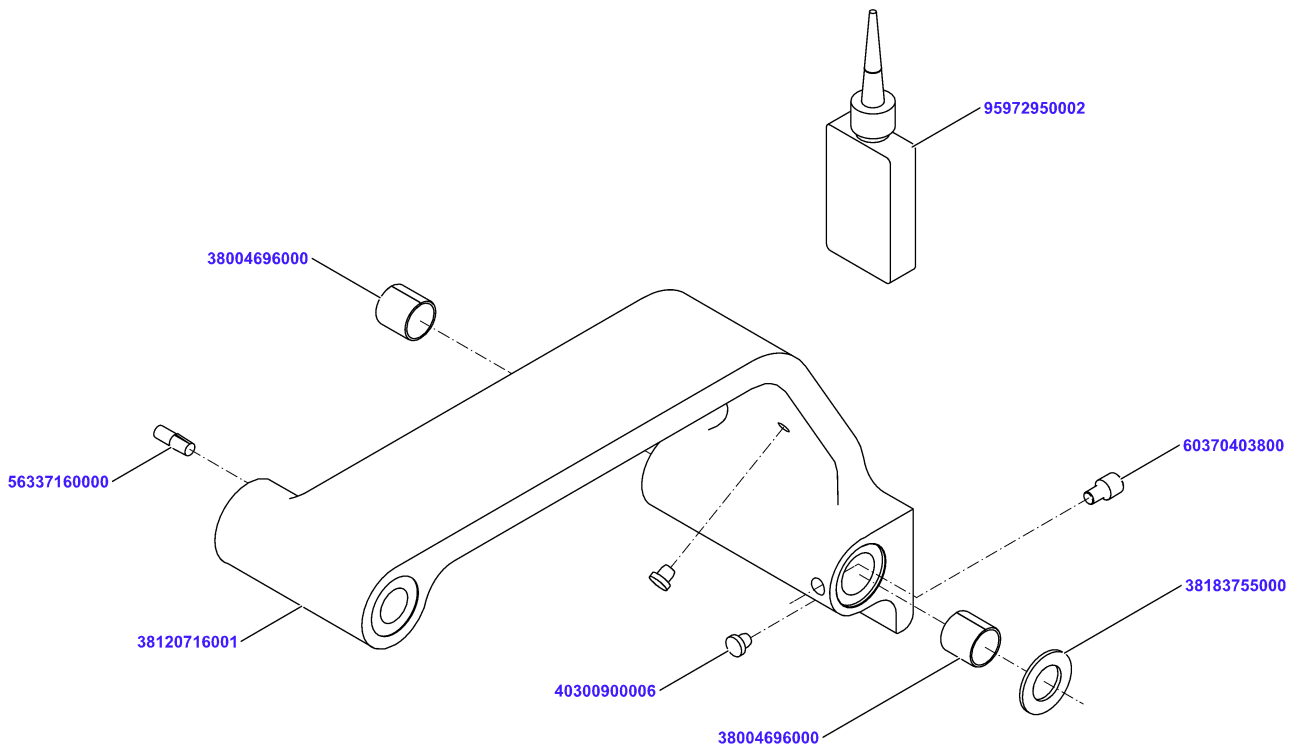
Slider Protection and Lever



Slider Protection and Lever

Material No.	Qty	Material description	available for order	Wear part	Recomm. sp. part	Metr. relevance
60371601300	1	Lever preassembled				
60370413202	1	Guard plate 134,8x230x8 - black				
60270201803	1	Washer 50x2,5 with pin M8 & Precote				
60220401601	1	Lock washer				
60220403800	1	Washer POM - 35x12,1				
60370403000	1	bolt				
96055070000	0,005	Grease PARALIQ GA 343				
95972950002	0,001	Loctite 243 50 ml 95972950002				
38170429000	1	Disc spring 23,7x14,3x0,3x1,3 tf-k slot*				
60352302300	1	Thrust washer				

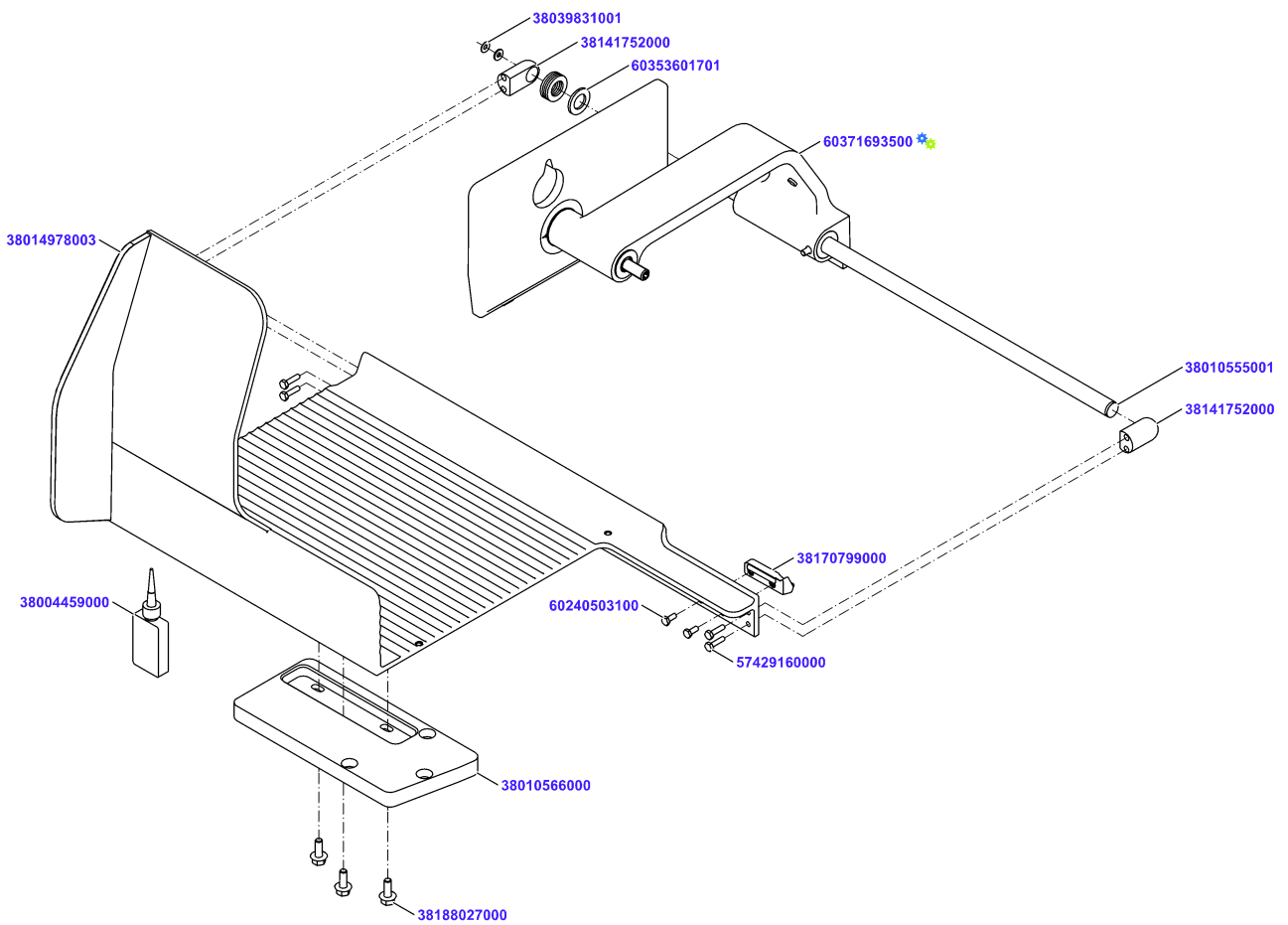
Lever preassembled















Lever preassembled

Material No.	Qty	Material description	available for order	Wear part	Recomm. sp. part	Metr. relevance
40300900006	2	slide pin				
56337160000	1	Grooved Pin DIN 1474-5x16 A2-70				
60370403800	1	Pin				
95972950002	0,001	Loctite 243 50 ml 95972950002				
38183755000	1	Washer 14,25x25x1,5				

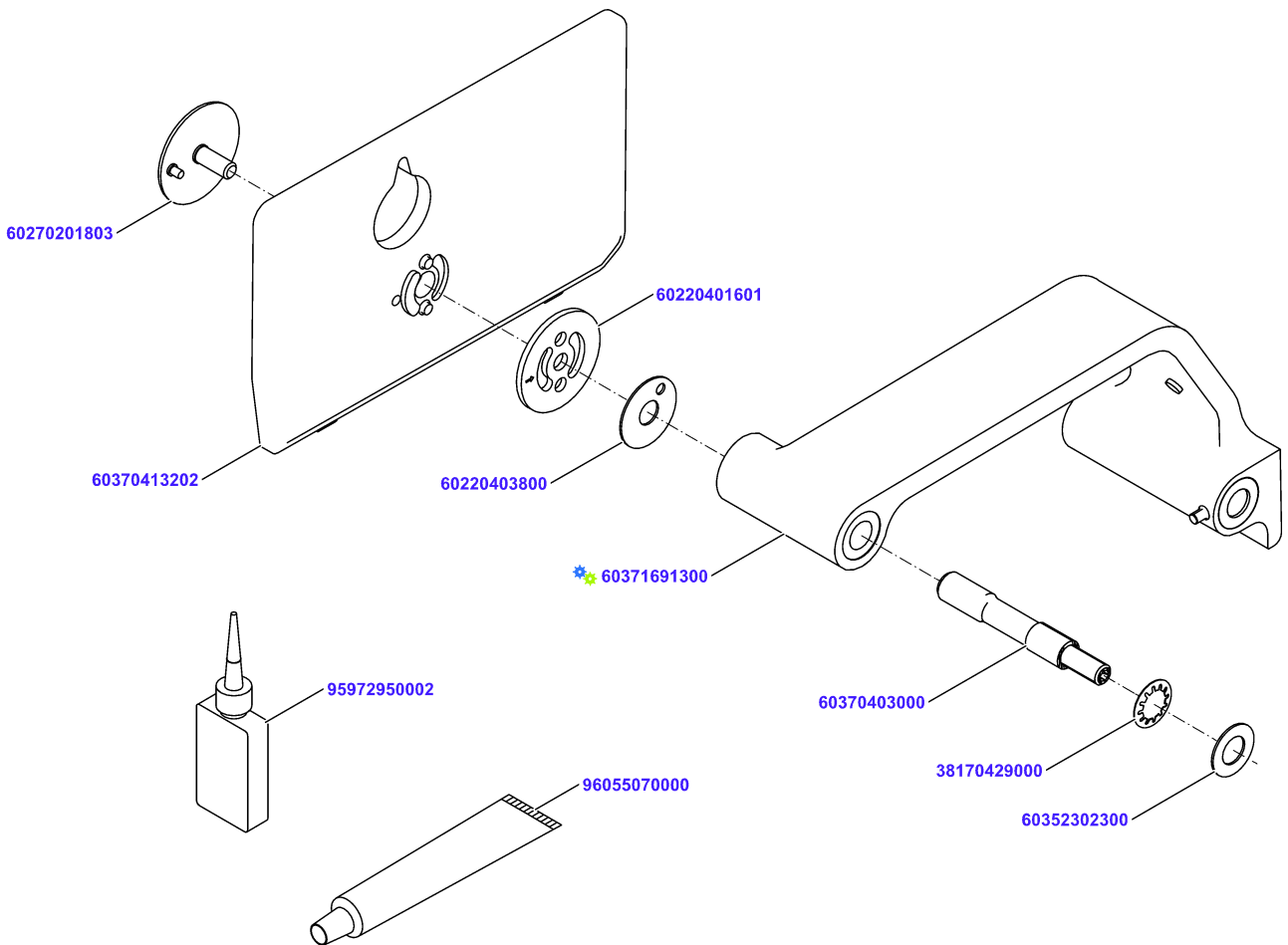
Carriage cpl 25Alu 1pc 150L C















Carriage cpl 25Alu 1pc 150L C

Material No.	Qty	Material description	available for order	Wear part	Recomm. sp. part	Metr. relevance
38014978003	1	Carriage Plate Welded 150mm L C				
38010566000	1	Carriage plate foot				
38188027000	3	Hexagon flange bolt M6x16-A2-70 Precote*				
38141752000	2	Bearing Pedestal 20 x 36				
38004459000	0,001	Loctite 648				
57429160000	4	Hexagon Screw DIN 933-M4x16-A2-7				
38010555001	1	guide shaft				
38039831001	3	Disc spring DIN2093 10x4,2x0,5				
60353601701	5	shock absorber				
60371693500	1	Slider Protection and Lever C				
38170799000	1	Interlock Grivory				
60240503100	2	Hexagon screw DIN 933 M4x10-A2-70				

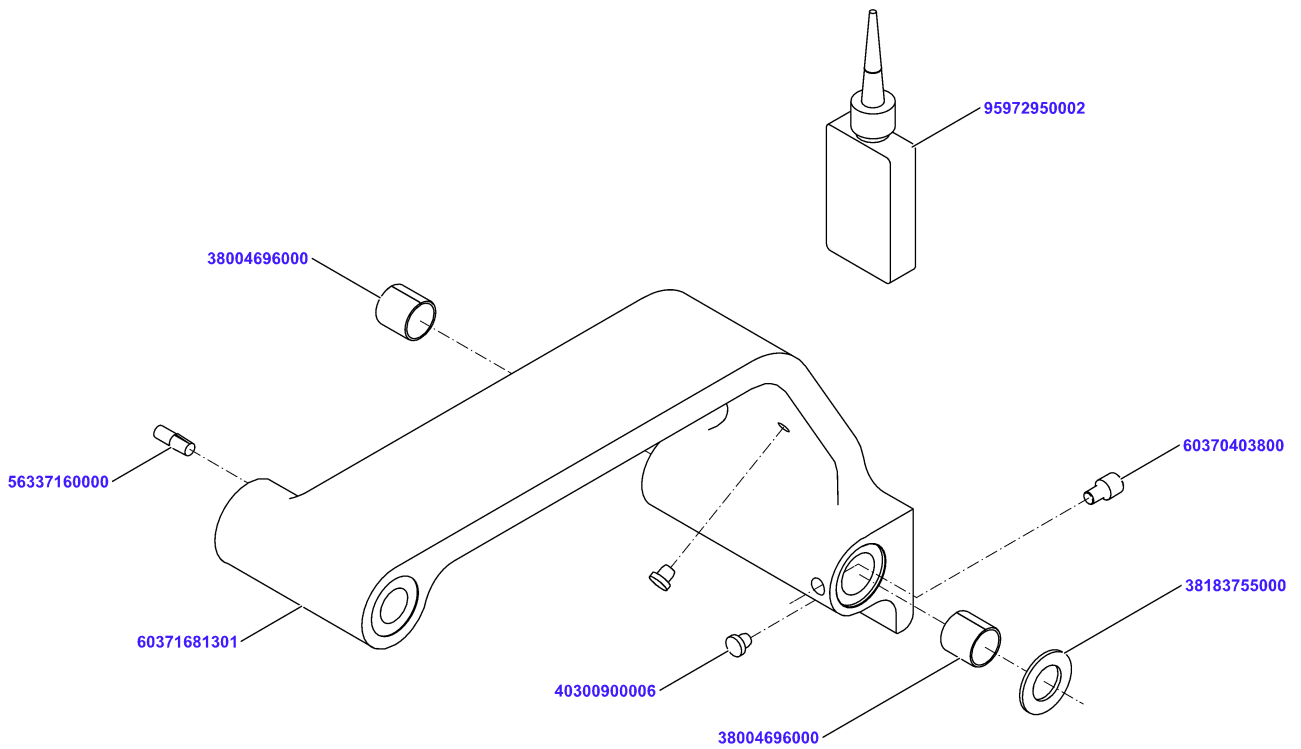
Slider Protection and Lever C



Slider Protection and Lever C

Material No.	Qty	Material description	available for order	Wear part	Recomm. sp. part	Metr. relevance
60371691300	1	Lever preassembled C				
60370413202	1	Guard plate 134,8x230x8 - black				
60270201803	1	Washer 50x2,5 with pin M8 & Precote				
60220401601	1	Lock washer				
60220403800	1	Washer POM - 35x12,1				
60370403000	1	bolt				
96055070000	0.005	Grease PARALIQ GA 343				
95972950002	0,001	Loctite 243 50 ml 95972950002				
38170429000	1	Disc spring 23,7x14,3x0,3x1,3 tf-k slot*				
60352302300	1	Thrust washer				

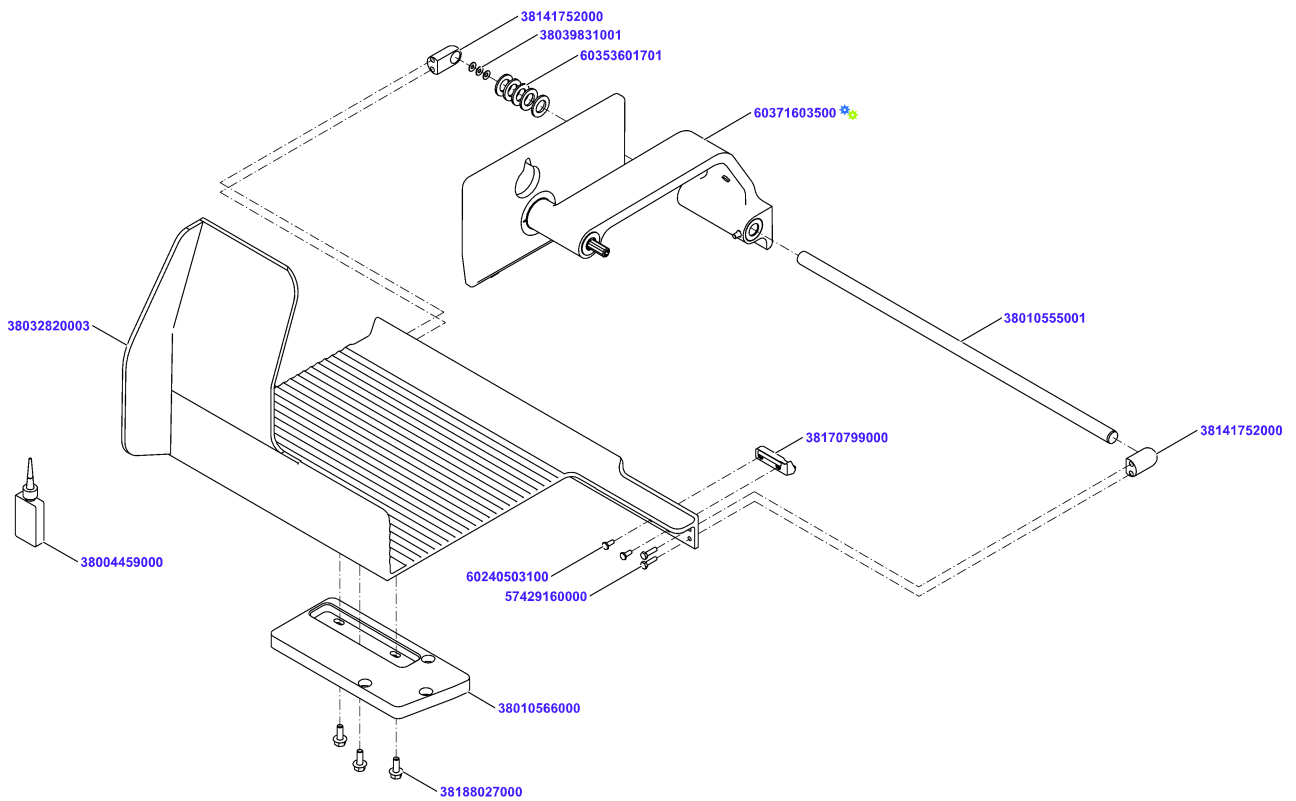
Lever preassembled C















Lever preassembled C

Material No.	Qty	Material description	available for order	Wear part	Recomm. sp. part	Metr. relevance
40300900006	2	slide pin				
56337160000	1	Grooved Pin DIN 1474-5x16 A2-70				
60370403800	1	Pin				
95972950002	0,001	Loctite 243 50 ml 95972950002				
38183755000	1	Washer 14,25x25x1,5				

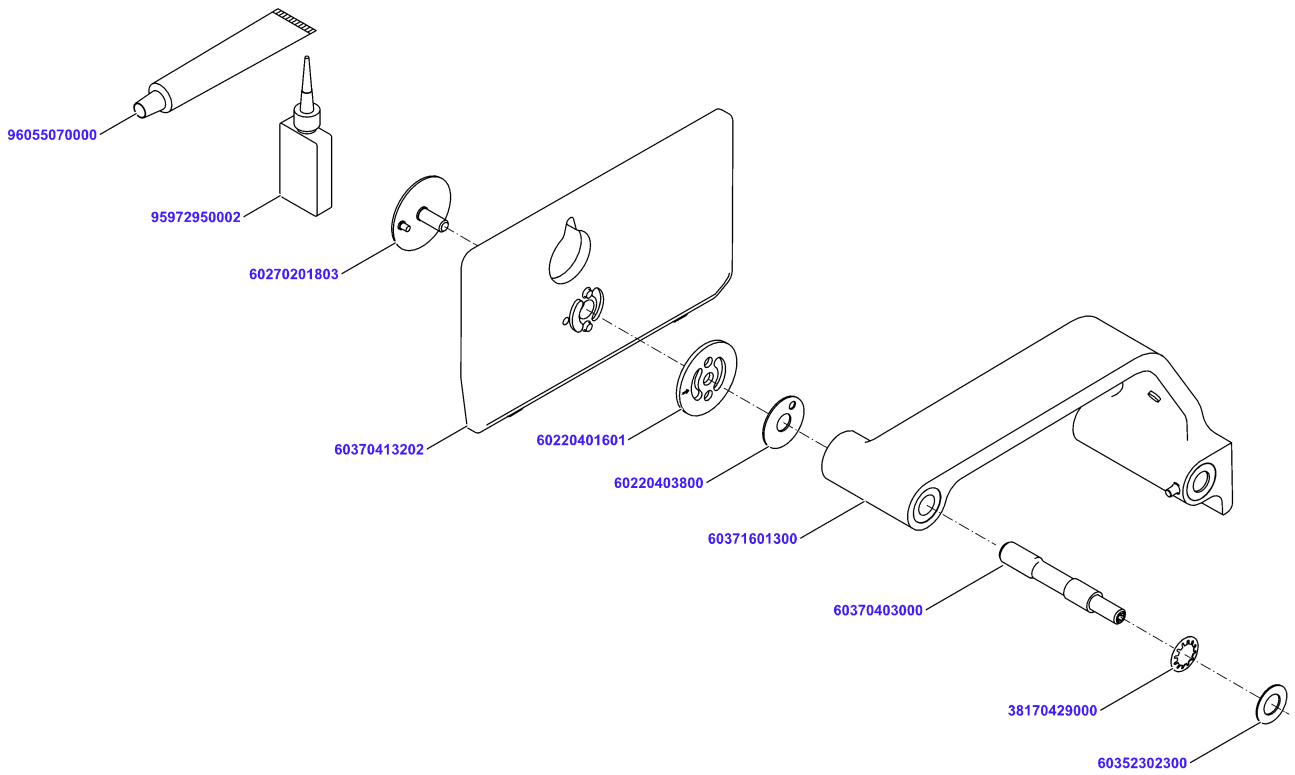
Carriage cpl 25Alu 1pc 150L nh



Carriage cpl 25Alu 1pc 150L nh

Material No.	Qty	Material description	available for order	Wear part	Recomm. sp. part	Metr. relevance
38032820003	1	Carriage Plate welded 150mm L nh				
38010566000	1	Carriage plate foot				
38188027000	3	Hexagon flange bolt M6x16-A2-70 Precote*				
38141752000	2	Bearing Pedestal 20 x 36				
38004459000	0,001	Loctite 648				
57429160000	4	Hexagon Screw DIN 933-M4x16-A2-7				
38010555001	1	guide shaft				
38039831001	3	Disc spring DIN2093 10x4,2x0,5				
60353601701	5	shock absorber				
60371603500	1	Slider Protection and Lever				
38170799000	1	Interlock Grivory				
60240503100	2	Hexagon screw DIN 933 M4x10-A2-70				

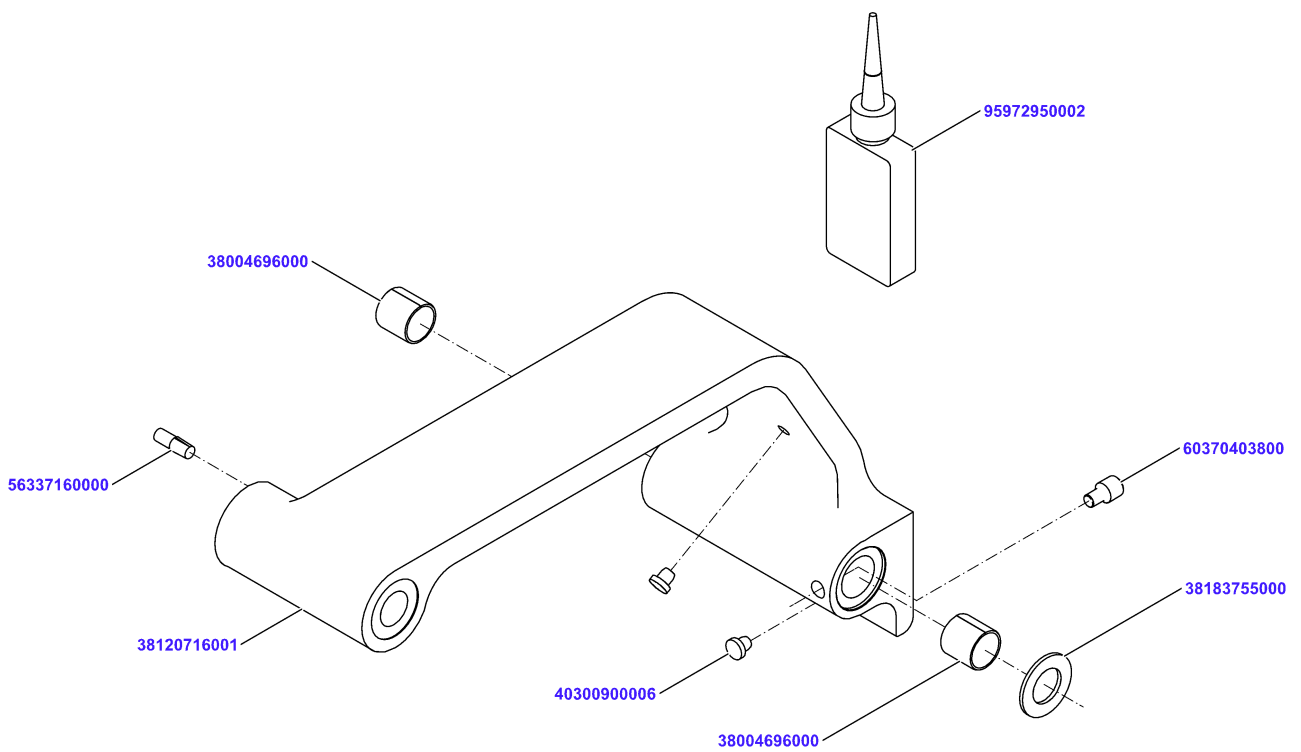
Slider Protection and Lever



Slider Protection and Lever

Material No.	Qty	Material description	available for order	Wear part	Recomm. sp. part	Metr. relevance
60371601300	1	Lever preassembled	✓			
60370413202	1	Guard plate 134,8x230x8 - black	✓			
60270201803	1	Washer 50x2,5 with pin M8 & Precote	✓	✓	✓	
60220401601	1	Lock washer	✓			
60220403800	1	Washer POM - 35x12,1	✓			
60370403000	1	bolt	✓			
96055070000	0,005	Grease PARALIQ GA 343	✓			
95972950002	0,001	Loctite 243 50 ml 95972950002	✓			
38170429000	1	Disc spring 23,7x14,3x0,3x1,3 tf-k slot*	✓			
60352302300	1	Thrust washer	✓			

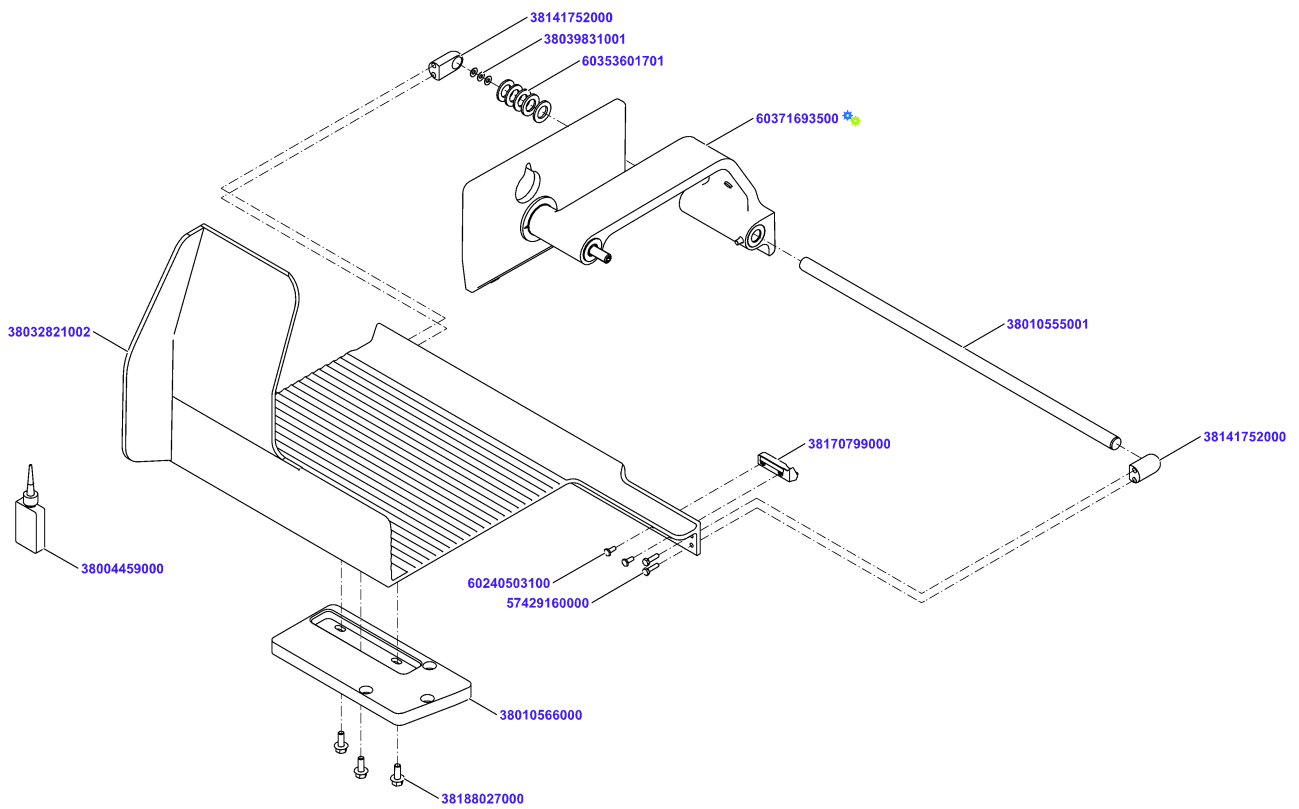
Lever preassembled















Lever preassembled

Material No.	Qty	Material description	available for order	Wear part	Recomm. sp. part	Metr. relevance
40300900006	2	slide pin				
56337160000	1	Grooved Pin DIN 1474-5x16 A2-70				
60370403800	1	Pin				
95972950002	0,001	Loctite 243 50 ml 95972950002				
38183755000	1	Washer 14,25x25x1,5				

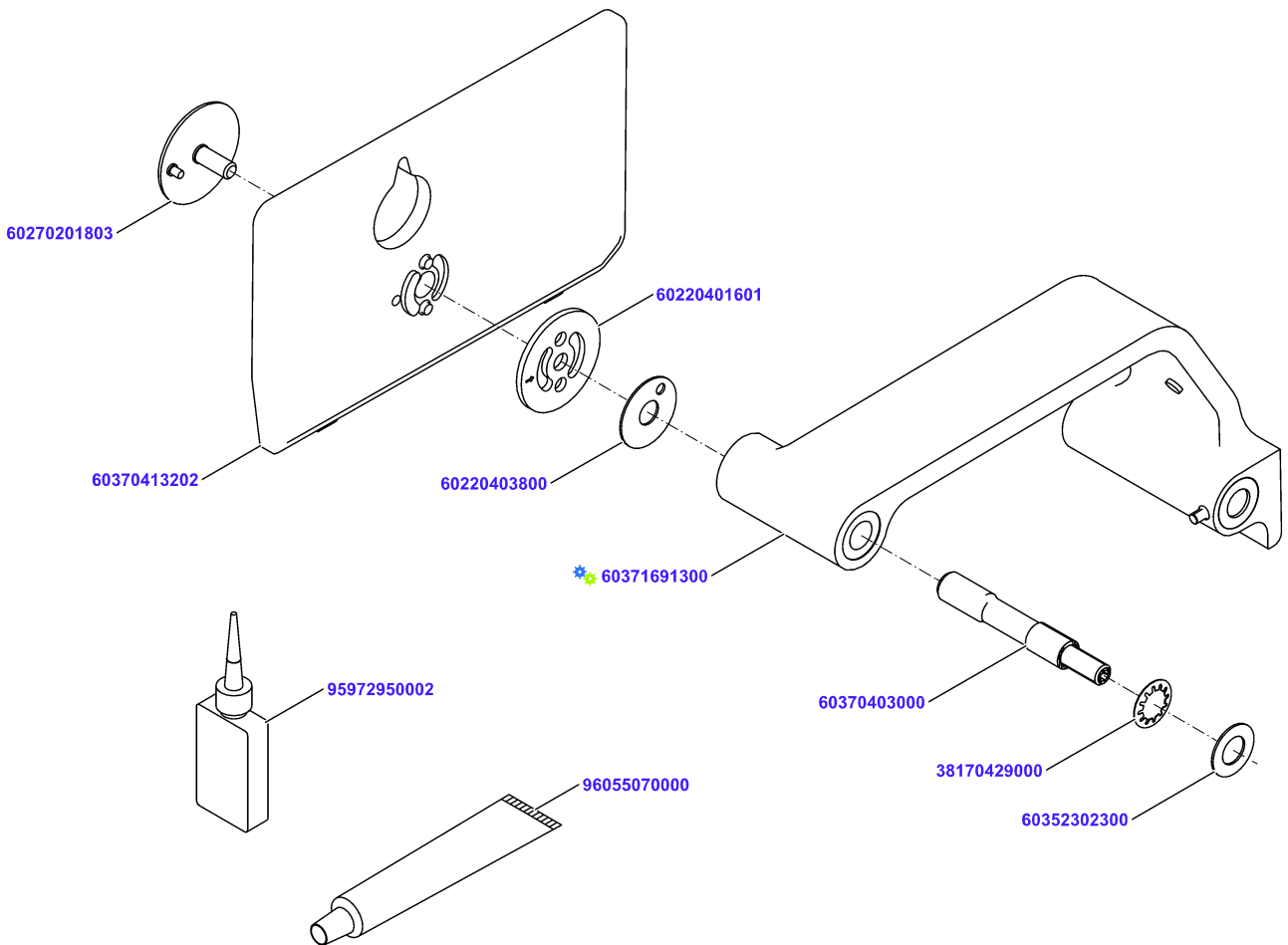
Carriage cpl 25Alu 1pc 150L nh C



Carriage cpl 25Alu 1pc 150L nh C

Material No.	Qty	Material description	available for order	Wear part	Recomm. sp. part	Metr. relevance
38032821002	1	Carriage Plate welded 150mm L nh C				
38010566000	1	Carriage plate foot				
38188027000	3	Hexagon flange bolt M6x16-A2-70 Precote*				
38141752000	2	Bearing Pedestal 20 x 36				
38004459000	0,001	Loctite 648				
57429160000	4	Hexagon Screw DIN 933-M4x16-A2-7				
38010555001	1	guide shaft				
38039831001	3	Disc spring DIN2093 10x4,2x0,5				
60353601701	5	shock absorber				
60371693500	1	Slider Protection and Lever C				
38170799000	1	Interlock Grivory				
60240503100	2	Hexagon screw DIN 933 M4x10-A2-70				

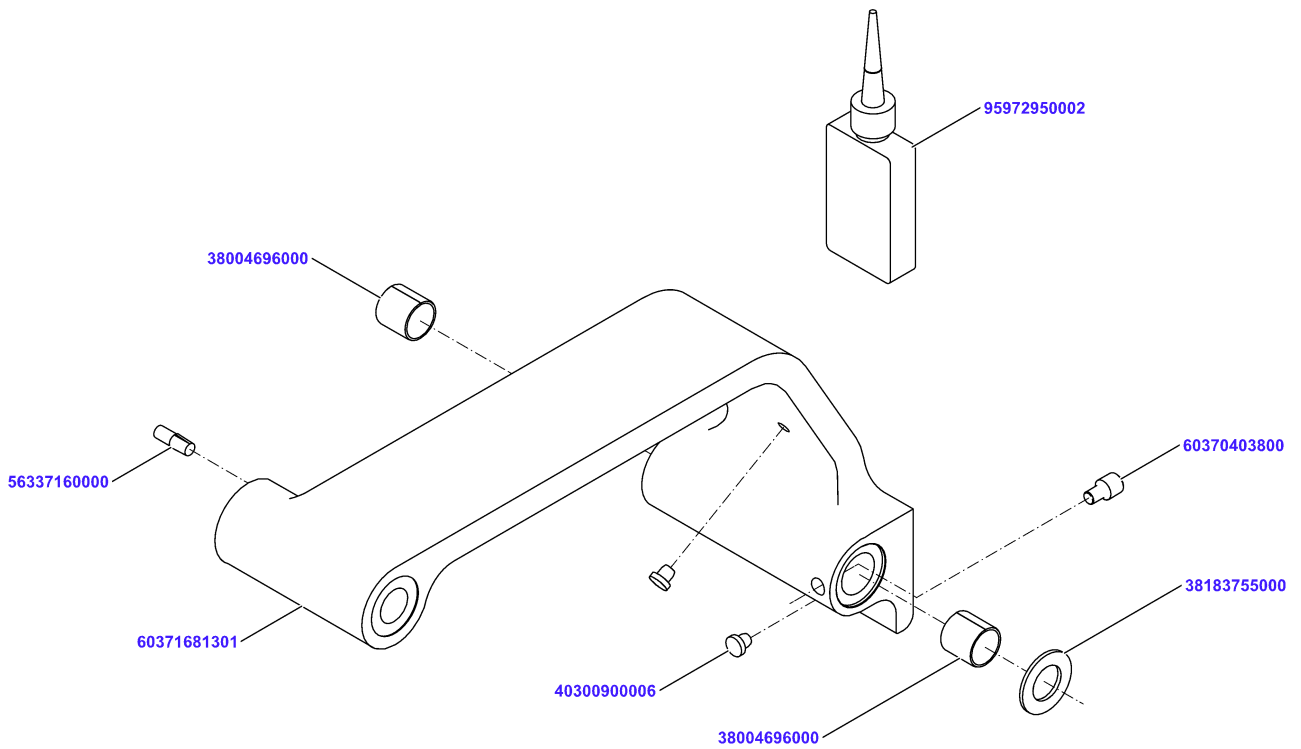
Slider Protection and Lever C



Slider Protection and Lever C

Material No.	Qty	Material description	available for order	Wear part	Recomm. sp. part	Metr. relevance
60371691300	1	Lever preassembled C	✓			
60370413202	1	Guard plate 134,8x230x8 - black	✓			
60270201803	1	Washer 50x2,5 with pin M8 & Precote	✓	✓	✓	
60220401601	1	Lock washer	✓			
60220403800	1	Washer POM - 35x12,1	✓			
60370403000	1	bolt	✓			
96055070000	0.005	Grease PARALIQ GA 343	✓			
95972950002	0,001	Loctite 243 50 ml 95972950002	✓			
38170429000	1	Disc spring 23,7x14,3x0,3x1,3 tf-k slot*	✓			
60352302300	1	Thrust washer	✓			

Lever preassembled C



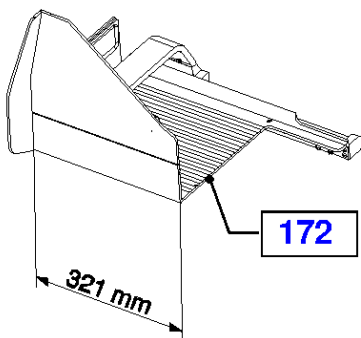
Lever preassembled C

Material No.	Qty	Material description	available for order	Wear part	Recomm. sp. part	Metr. relevance
40300900006	2	slide pin				
56337160000	1	Grooved Pin DIN 1474-5x16 A2-70				
60370403800	1	Pin				
95972950002	0,001	Loctite 243 50 ml 95972950002				
38183755000	1	Washer 14,25x25x1,5				

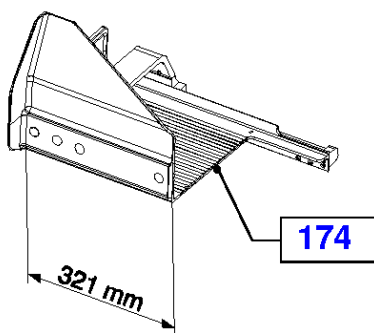
Carriage 25°, alu welded or transparent, L=321 mm

Carriage compl. 25°, alu welded or transparent, L= 321

Alu welded, 1pc, L=321 mm, CE



Transparent, L=321 mm



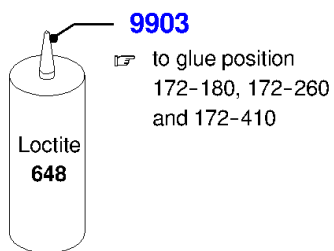
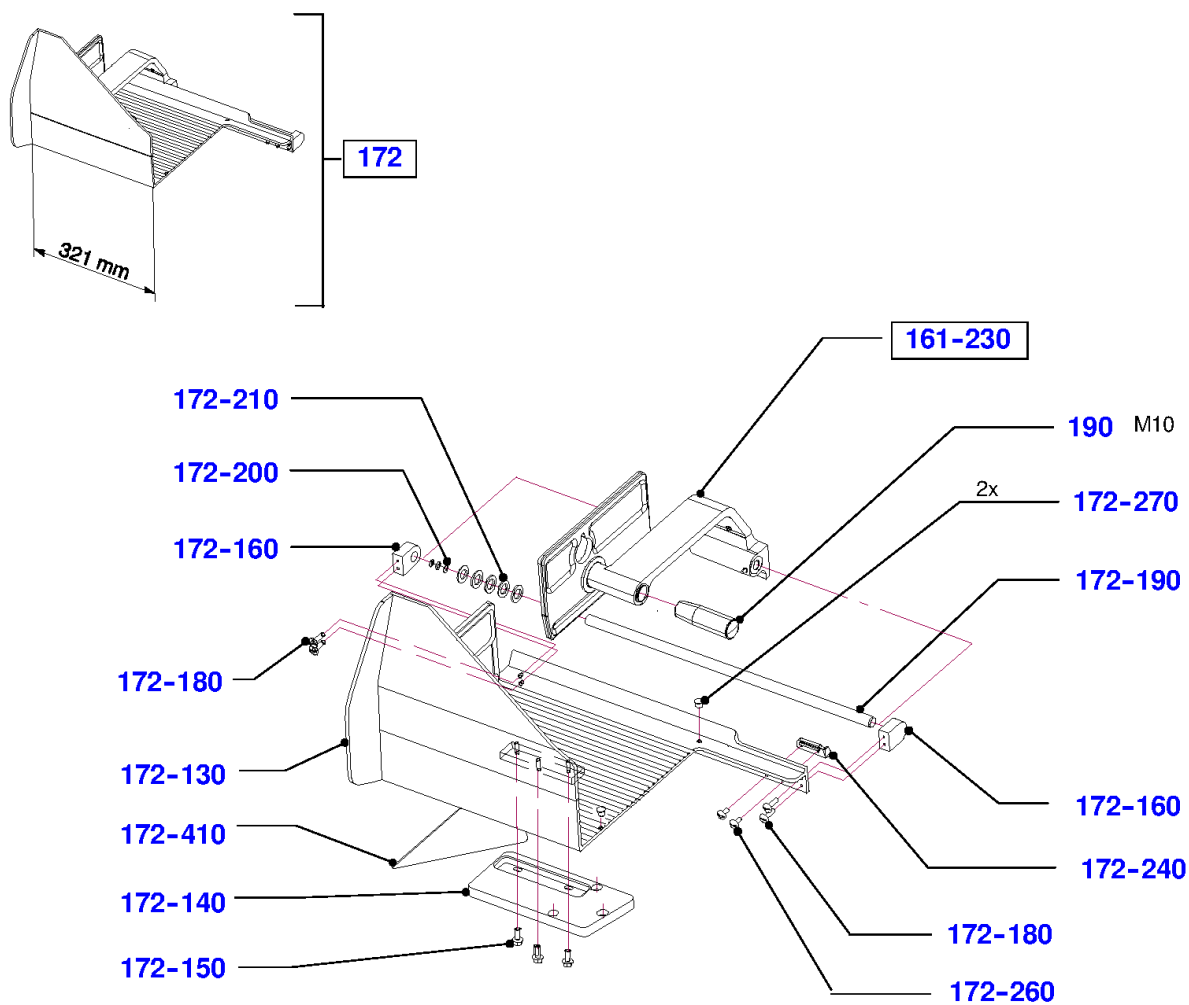
Carriage 25°, alu welded or transparent, L=321 mm

Item	Material No.	Qty	Material description	available for order	Wear part	Recomm. sp. part	Metr. relevance
172	60378017702	001	Carriage cpl 25Alu 1pc 321L CE				
172	60378017802	001	Carriage cpl 25Alu 1pc 321L CE C				
174	60378016702	001	CARRIAGE CPL 25TRANSP 321L				

Carriage 25°, alu welded or transparent, L=321 mm

Carriage compl. 25°, alu welded, 1pc, L=321 mm

Carriage compl. 25°, alu welded, 1pc, L=321 mm



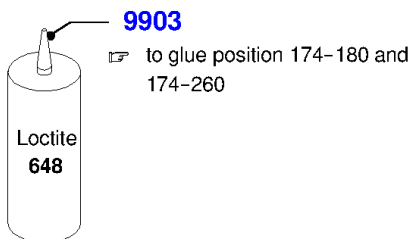
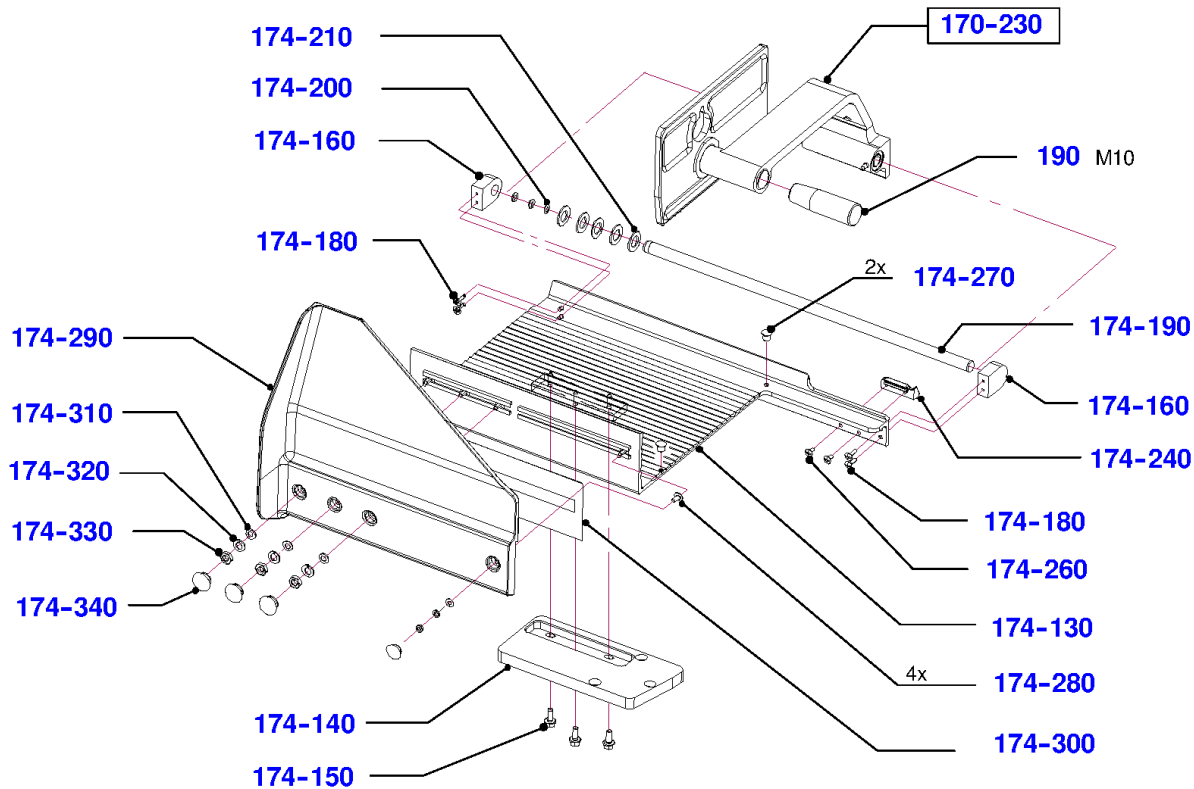
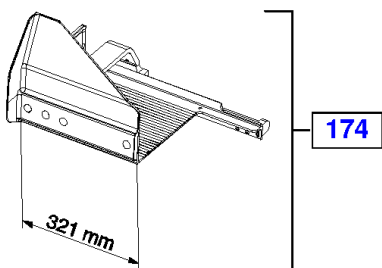
Carriage 25°, alu welded or transparent, L=321 mm

Item	Material No.	Qty	Material description	available for order	Wear part	Recomm. sp. part	Metr. relevance
161-230	60371603103	001	SLIDER PROTECTION AND LEVER				
161-230	60371693103	001	SLIDER PROTECTION AND LEVER C				
172	60378017702	001	Carriage cpl 25Alu 1pc 321L CE				
172	60378017802	001	Carriage cpl 25Alu 1pc 321L CE C				
172-130	60370344101	001	CARRIAGE PLATE WELDED				
172-130	60370345101	001	CARRIAGE PLATE WELDED 321 C				
172-140	38010566000	001	Carriage plate foot				
172-140	38014968000	001	Carriage plate foot C				
172-150	38900063000	003	Hexagon flange bolt DIN6921 M6x16-A2-70				
172-160	38010519001	002	BEARING PEDESTAL				
172-160	38014966001	002	BEARING PEDESTAL C				
172-180	56972530000	004	Mushroom head screw M4x16-A2-70				
172-190	38010555001	001	guide shaft				
172-200	50001510000	003	Disc spring 11x6,2x0,3				
172-210	60353601701	005	shock absorber				
172-240	38012320001	001	Interlock machined part				
172-260	56972540000	002	Mushroom head screw M4x10-A2-70				
172-270	60274601001	002	Bolt PA - 4,1x4,5				
172-410	60370352400	001	cover plate 25H				
172-410	38024858000	001	Cover plate 25 C				
190	60370303700	001	Handhold 27,5x89,5 M10x35 PA black				
190	38032678000	001	Handhold 27,5x89,5 M10x35 PA red				
9903	95972840000	001	LOCTITE 648 10M				

Carriage 25°, alu welded or transparent, L=321 mm

Carriage compl. 25°, transparent L=321 mm

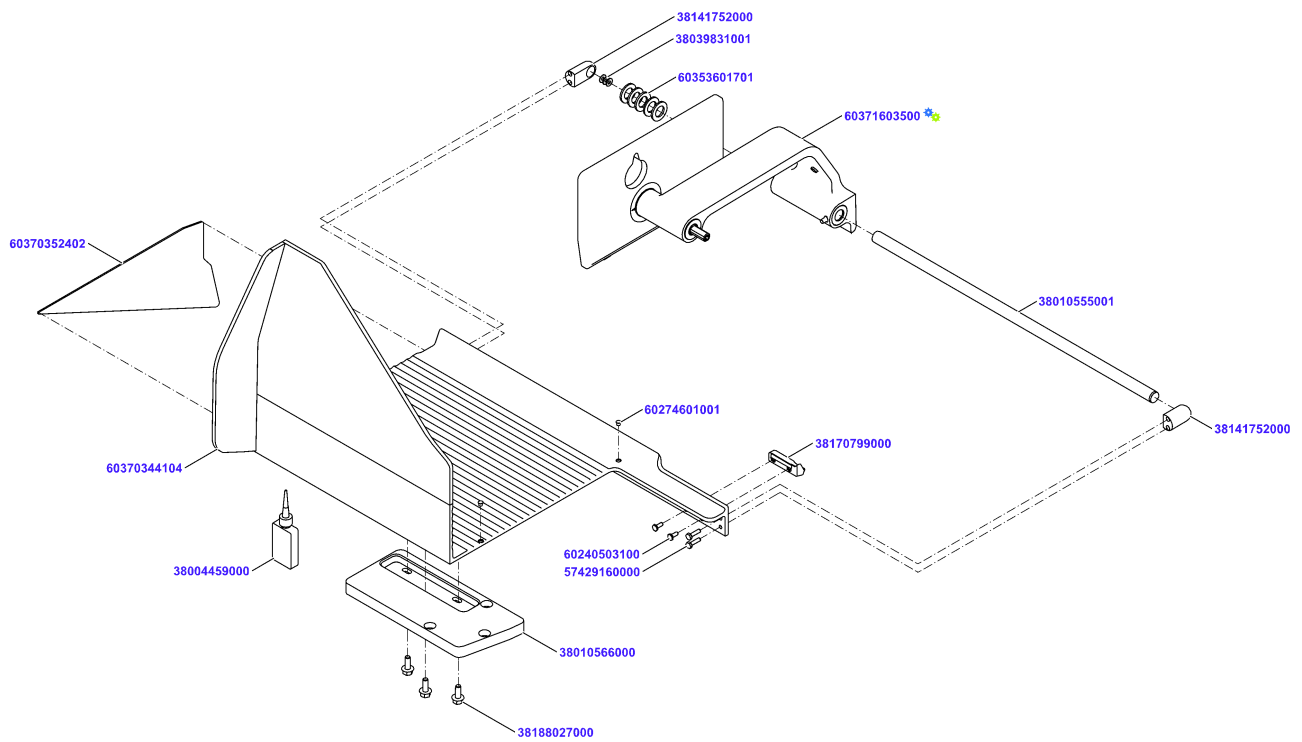
Carriage compl. 25°, transparent L=321 mm



Carriage 25°, alu welded or transparent, L=321 mm

Item	Material No.	Qty	Material description	available for order	Wear part	Recomm. sp. part	Metr. relevance
170-230	60371604102	001	SLIDER PROTECTION AND LEVER (COLORCOMP)	✓			
174	60378016702	001	CARRIAGE CPL 25TRANSP 321L	✓			
174-130	38009277001	001	CARRIAGE PLATE IBERO	✓			
174-140	38010566000	001	Carriage plate foot	✓			
174-150	38900063000	003	Hexagon flange bolt DIN6921 M6x16-A2-70	✓			
174-160	38010519001	002	BEARING PEDESTAL	✓			
174-180	56972530000	004	Mushroom head screw M4x16-A2-70	✓			
174-190	38010555001	001	guide shaft	✓			
174-200	50001510000	003	Disc spring 11x6,2x0,3	✓			
174-210	60353601701	005	shock absorber	✓			
174-240	38012320001	001	Interlock machined part	✓			
174-260	56972540000	002	Mushroom head screw M4x10-A2-70	✓			
174-270	60274601001	002	Bolt PA - 4,1x4,5	✓			
174-280	60370401900	004	Screw	✓			
174-290	60372502101	001	REAR WALL 321	✓			
174-300	60370402001	001	adhesive foil	✓			
174-310	56739050000	004	Washer DIN 125-A 5_3 -A2-70 56739050000	✓			
174-320	57767050000	004	Spring lock washer DIN128-A5-FSt	✓			
174-330	56444500000	004	Hexagon nut DIN439-M5-A2	✓			
174-340	60370402200	004	PROTECTIVE PLUG	✓		✓	
190	60370303700	001	Handhold 27,5x89,5 M10x35 PA black	✓			
190	38032678000	001	Handhold 27,5x89,5 M10x35 PA red	✓			
9903	95972840000	001	LOCTITE 648 10M	✓			

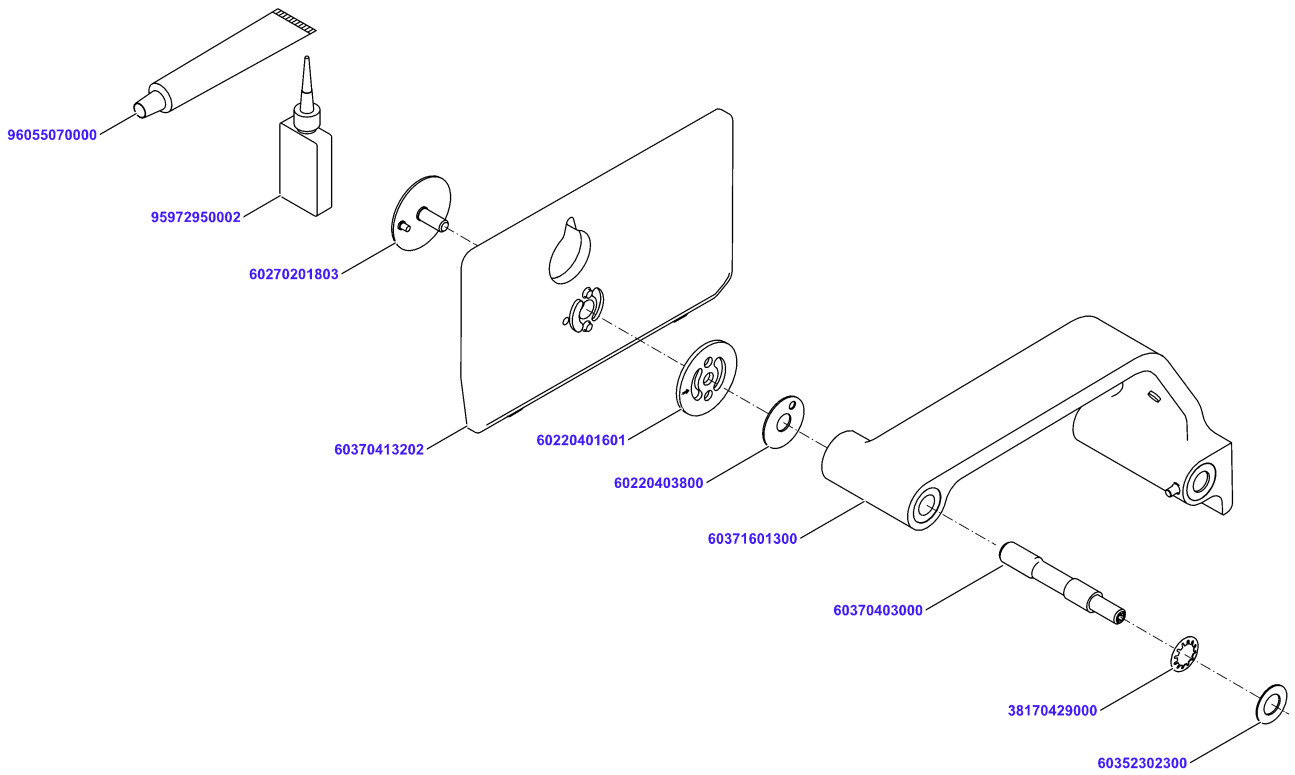
Carriage cpl 25Alu 1pc 321L CE



Carriage cpl 25Alu 1pc 321L CE

Material No.	Qty	Material description	available for order	Wear part	Recomm. sp. part	Metr. relevance
60370344104	1	Carriage Plate welded 321 mm	✓			
38010566000	1	Carriage plate foot	✓			
38188027000	3	Hexagon flange bolt M6x16-A2-70 Precote*	✓			
38141752000	2	Bearing Pedestal 20 x 36	✓			
38004459000	0,001	Loctite 648	✓			
57429160000	4	Hexagon Screw DIN 933-M4x16-A2-7	✓			
38010555001	1	guide shaft	✓			
38039831001	3	Disc spring DIN2093 10x4,2x0,5	✓			
60353601701	5	shock absorber	✓			
60371603500	1	Slider Protection and Lever	✓			
38170799000	1	Interlock Grivory	✓			
38004459000	0,001	Loctite 648	✓			
60240503100	2	Hexagon screw DIN 933 M4x10-A2-70	✓			
60274601001	2	Bolt PA - 4,1x4,5	✓			
38004459000	0,001	Loctite 648	✓			
60370352402	1	Plate 25 Niro	✓			

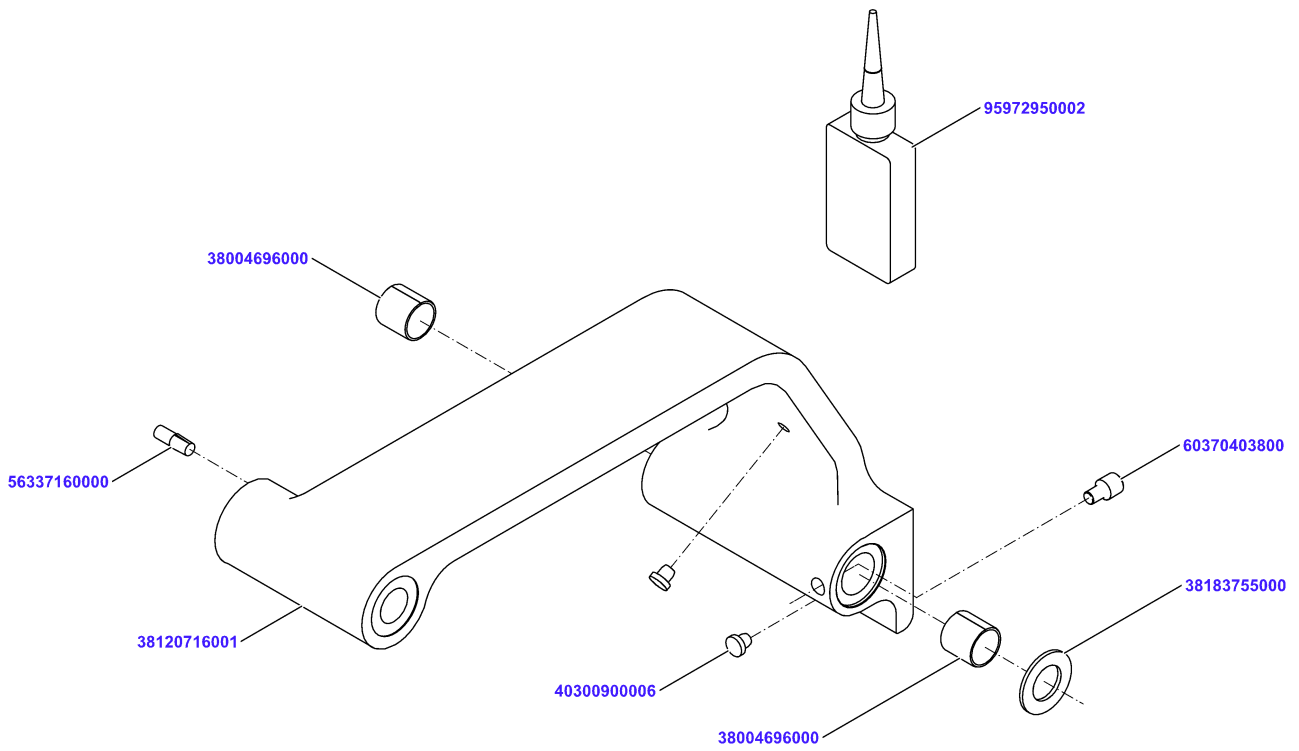
Slider Protection and Lever



Slider Protection and Lever

Material No.	Qty	Material description	available for order	Wear part	Recomm. sp. part	Metr. relevance
60371601300	1	Lever preassembled	✓			
60370413202	1	Guard plate 134,8x230x8 - black	✓			
60270201803	1	Washer 50x2,5 with pin M8 & Precote	✓	✓	✓	
60220401601	1	Lock washer	✓			
60220403800	1	Washer POM - 35x12,1	✓			
60370403000	1	bolt	✓			
96055070000	0,005	Grease PARALIQ GA 343	✓			
95972950002	0,001	Loctite 243 50 ml 95972950002	✓			
38170429000	1	Disc spring 23,7x14,3x0,3x1,3 tf-k slot*	✓			
60352302300	1	Thrust washer	✓			

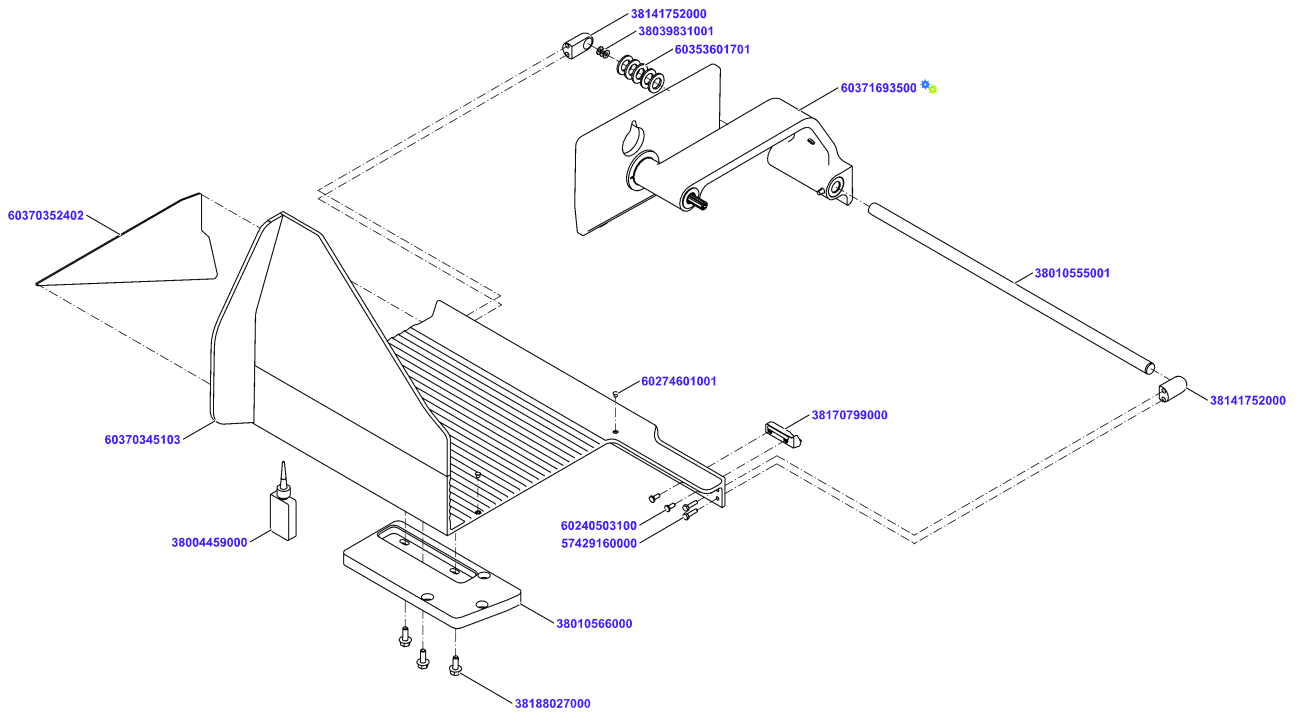
Lever preassembled



















Lever preassembled

Material No.	Qty	Material description	available for order	Wear part	Recomm. sp. part	Metr. relevance
40300900006	2	slide pin				
56337160000	1	Grooved Pin DIN 1474-5x16 A2-70				
60370403800	1	Pin				
95972950002	0,001	Loctite 243 50 ml 95972950002				
38183755000	1	Washer 14,25x25x1,5				

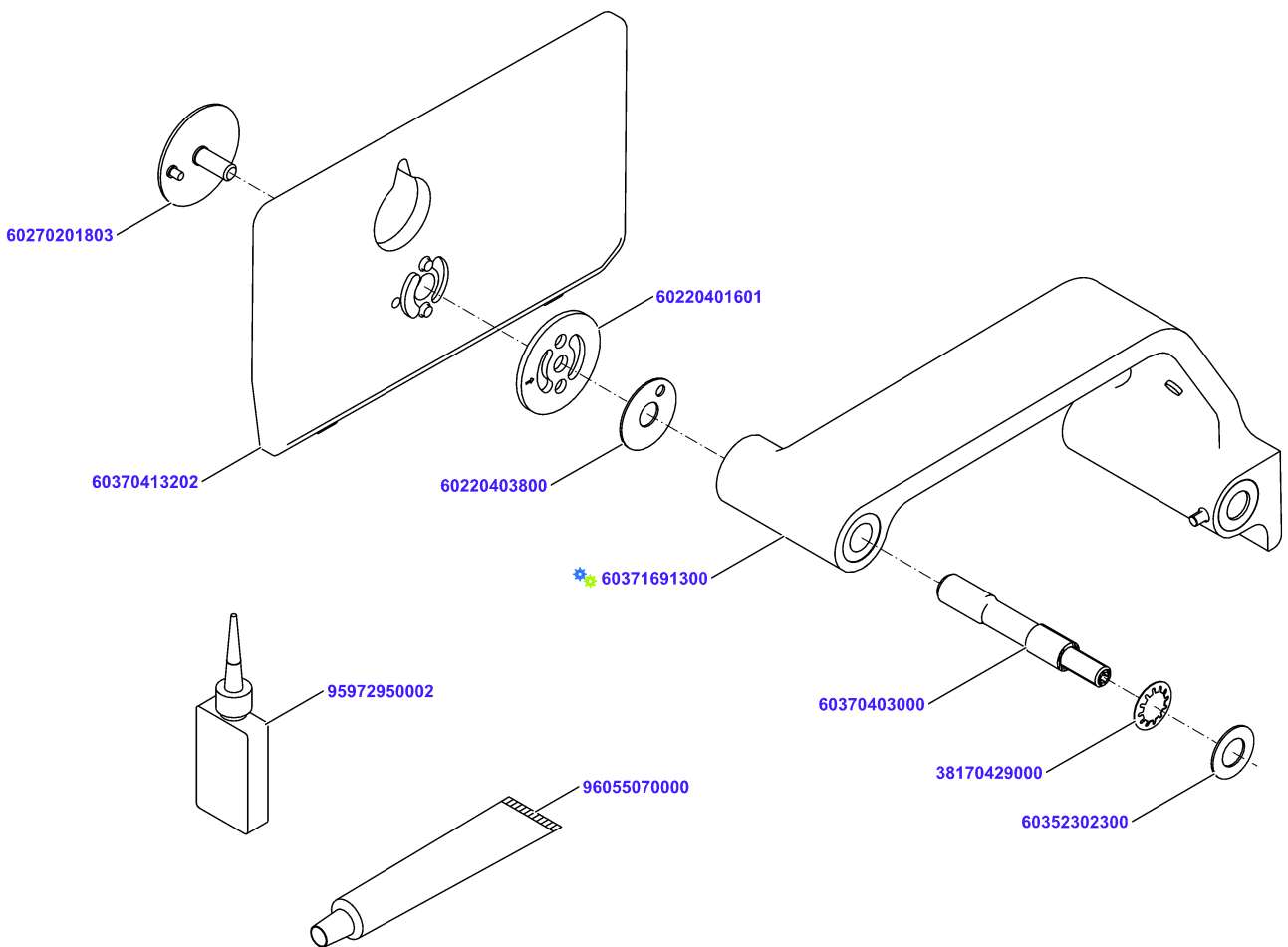
Carriage cpl 25Alu 1pc 321L CE C



Carriage cpl 25Alu 1pc 321L CE C

Material No.	Qty	Material description	available for order	Wear part	Recomm. sp. part	Metr. relevance
60370345103	1	Carriage Plate welded 321 C				
38010566000	1	Carriage plate foot				
38188027000	3	Hexagon flange bolt M6x16-A2-70 Precote*				
38141752000	2	Bearing Pedestal 20 x 36				
38004459000	0,001	Loctite 648				
57429160000	4	Hexagon Screw DIN 933-M4x16-A2-7				
38010555001	1	guide shaft				
38039831001	3	Disc spring DIN2093 10x4,2x0,5				
60353601701	5	shock absorber				
60371693500	1	Slider Protection and Lever C				
38170799000	1	Interlock Grivory				
38004459000	0,001	Loctite 648				
60240503100	2	Hexagon screw DIN 933 M4x10-A2-70				
60274601001	2	Bolt PA - 4,1x4,5				
38004459000	0,001	Loctite 648				
60370352402	1	Plate 25 Niro				

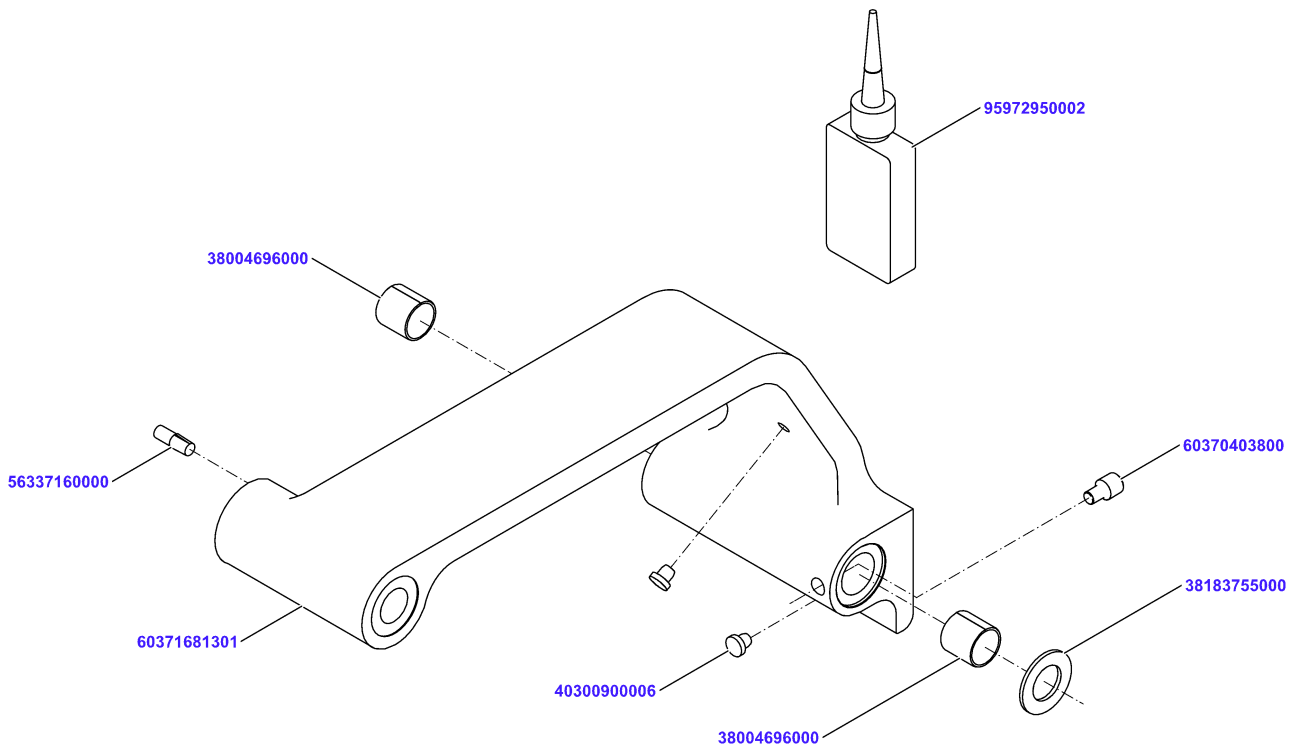
Slider Protection and Lever C



Slider Protection and Lever C

Material No.	Qty	Material description	available for order	Wear part	Recomm. sp. part	Metr. relevance
60371691300	1	Lever preassembled C	✓			
60370413202	1	Guard plate 134,8x230x8 - black	✓			
60270201803	1	Washer 50x2,5 with pin M8 & Precote	✓	✓	✓	
60220401601	1	Lock washer	✓			
60220403800	1	Washer POM - 35x12,1	✓			
60370403000	1	bolt	✓			
96055070000	0.005	Grease PARALIQ GA 343	✓			
95972950002	0,001	Loctite 243 50 ml 95972950002	✓			
38170429000	1	Disc spring 23,7x14,3x0,3x1,3 tf-k slot*	✓			
60352302300	1	Thrust washer	✓			

Lever preassembled C



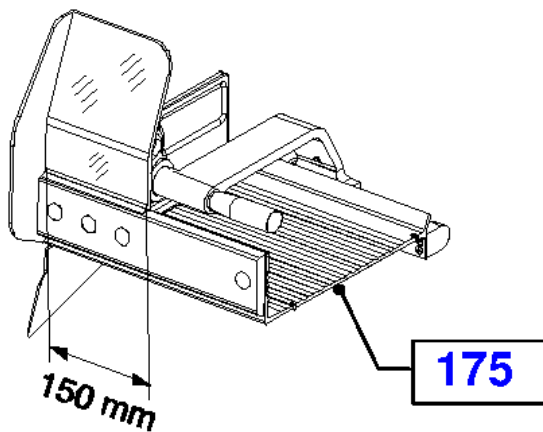
Lever preassembled C

Material No.	Qty	Material description	available for order	Wear part	Recomm. sp. part	Metr. relevance
40300900006	2	slide pin				
56337160000	1	Grooved Pin DIN 1474-5x16 A2-70				
60370403800	1	Pin				
95972950002	0,001	Loctite 243 50 ml 95972950002				
38183755000	1	Washer 14,25x25x1,5				

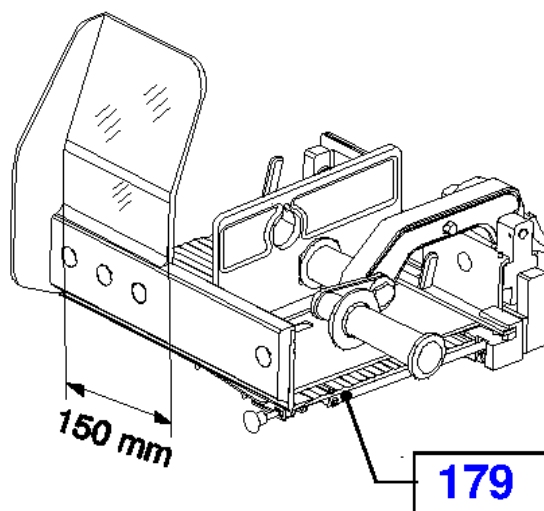
Carriage 18°, Standard or clamping carriage, L=150 mm

Carriage compl. 18°, L= 150

Transparent, L=150 mm, CE



Transparent, L=150 mm, clamping carriage



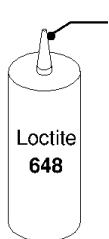
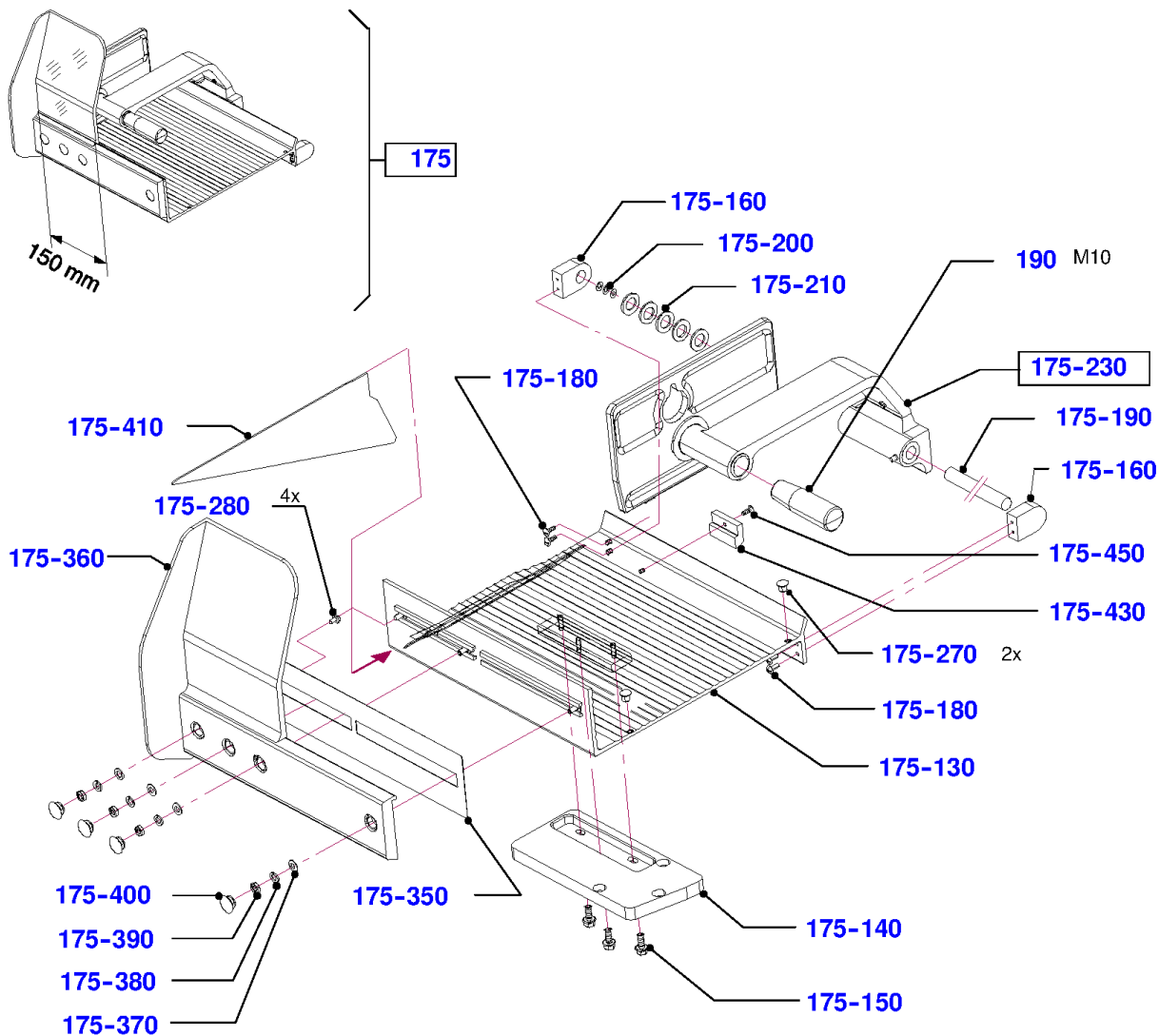
Carriage 18°, Standard or clamping carriage, L=150 mm

Item	Material No.	Qty	Material description	available for order	Wear part	Recomm. sp. part	Metr. relevance
175	60378016802	001	CARRIAGE CPL 18 TRANSP 150 CE	✓			
175	60378016902	001	CARRIAGE CPL 18 TRANSP 150 C CE	✓			
179	60388017102	001	MOUNTING CARRIAGE CPL 18 TRANSP 150 CE	✓			
179	60388017202	001	MOUNTING CARRIAGE CPL 18 TRANSP 150 CE C	✓			

Carriage 18°, Standard or clamping carriage, L=150 mm

Carriage compl. 18°, transparent, CE, L=150 mm

Carriage compl. 18°, transparent, CE, L=150 mm



9903
 to glue position 175-180,
 175-410 and 175-450

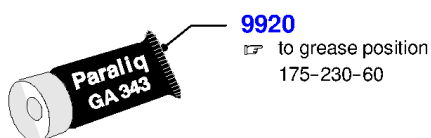
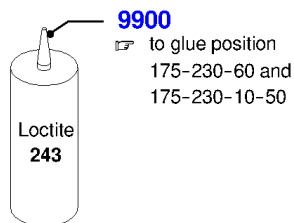
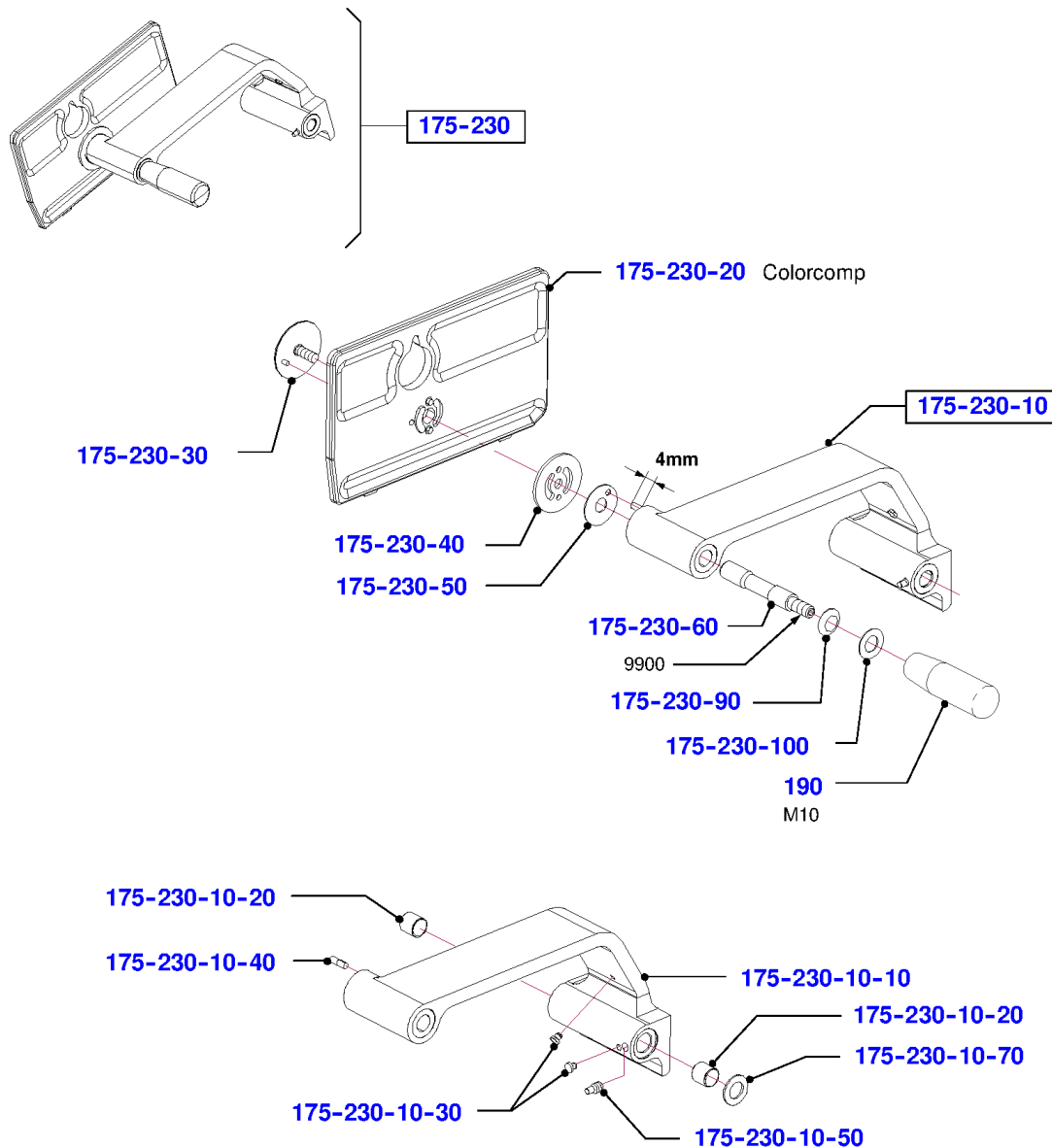
Carriage 18°, Standard or clamping carriage, L=150 mm

Item	Material No.	Qty	Material description	available for order	Wear part	Recomm. sp. part	Metr. relevance
175	60378016802	001	CARRIAGE CPL 18 TRANSP 150 CE	✓			
175	60378016902	001	CARRIAGE CPL 18 TRANSP 150 C CE	✓			
175-130	38014663000	001	Carriage Plate 18 L	✓			
175-130	38014985000	001	Carriage Plate C	✓			
175-140	38010566000	001	Carriage plate foot	✓			
175-140	38014968000	001	Carriage plate foot C	✓			
175-150	38900063000	003	Hexagon flange bolt DIN6921 M6x16-A2-70	✓			
175-160	38010519001	002	BEARING PEDESTAL	✓			
175-160	38014966001	002	BEARING PEDESTAL C	✓			
175-180	56972530000	004	Mushroom head screw M4x16-A2-70	✓			
175-190	38014680000	001	guide shaft	✓			
175-200	50001510000	003	Disc spring 11x6,2x0,3	✓			
175-210	60353601701	005	shock absorber	✓			
175-230	60371604102	001	SLIDER PROTECTION AND LEVER (COLORCOMP)	✓			
175-230	60371694102	001	SLIDER PROTEC TRANSP AND LEVER C	✓			
175-270	60274601001	002	Bolt PA - 4,1x4,5	✓			
175-280	60370401900	004	Screw	✓			
175-350	60370402001	001	adhesive foil	✓			
175-360	60370302100	001	REAR WALL WIDE	✓		✓	
175-370	56739050000	004	Washer DIN 125-A 5_3 -A2-70 56739050000	✓			
175-380	57767050000	004	Spring lock washer DIN128-A5-FSt	✓			
175-390	56444500000	004	Hexagon nut DIN439-M5-A2	✓			
175-400	60370402200	004	PROTECTIVE PLUG	✓		✓	
175-410	60380402400	001	Protection plate 18	✓			
175-410	38014990000	001	Protective plate 18 C	✓			
175-430	38017918000	001	Constraint	✓			
175-450	57630440000	001	Countersunk screw DIN963 M4x12-A2-70	✓			
190	60370303700	001	Handhold 27,5x89,5 M10x35 PA black	✓			
190	38032678000	001	Handhold 27,5x89,5 M10x35 PA red	✓			
9903	95972840000	001	LOCTITE 648 10M	✓			

Carriage 18°, Standard or clamping carriage, L=150 mm

Slider protection (Colorcomp) and lever

Slider protection (Colorcomp) and lever



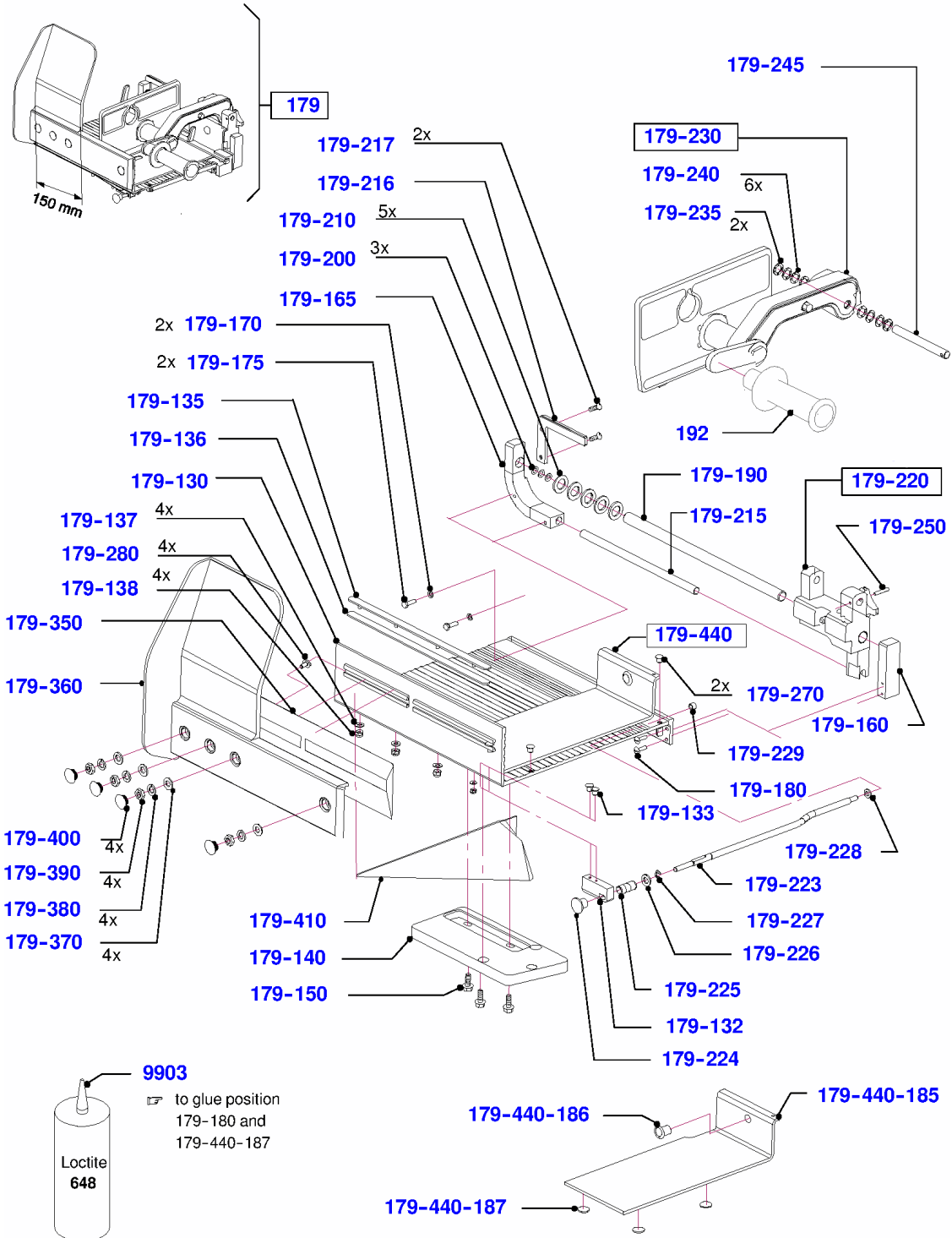
Carriage 18°, Standard or clamping carriage, L=150 mm

Item	Material No.	Qty	Material description	available for order	Wear part	Recomm. sp. part	Metr. relevance
175-230	60371604102	001	SLIDER PROTECTION AND LEVER (COLORCOMP)	✓			
175-230	60371694102	001	SLIDER PROTEC TRANSP AND LEVER C	✓			
175-230-10	60371601201	001	LEVER PREMOUNT.	✓			
175-230-10	60371691201	001	LEVER PRE ASSEMBLED C	✓			
175-230-10-10	38008669001	001	LEVER	✓			
175-230-10-10	38014975001	001	LEVER C	✓			
175-230-10-20	38004696000	002	Plain bearing 14x16x15	✓			
175-230-10-30	40300900006	002	slide pin	✓	✓		
175-230-10-40	56337160000	001	Grooved Pin DIN 1474-5x16 A2-70	✓			
175-230-10-50	60370403800	001	Pin	✓			
175-230-10-70	38008734000	001	WASHER	✓			
175-230-20	60370203203	001	GUARD PLATE 135,5x230 - transparent	✓			
175-230-30	60270201802	001	Washer with pin	✓	✓		
175-230-40	60220401600	001	Lock washer	✓			
175-230-50	60220403800	001	Washer POM - 35x12,1	✓			
175-230-60	60370403000	001	bolt	✓			
175-230-90	50001540000	001	Disc spring 23,7x14,3x0,3	✓			
175-230-100	60352302300	001	Thrust washer	✓			
190	60370303700	001	Handhold 27,5x89,5 M10x35 PA black	✓			
190	38032678000	001	Handhold 27,5x89,5 M10x35 PA red	✓			
9900	95972940000	001	LOCTITE 243 10ML	✓			
9920	94008908076	001	GREASE PARALIQ GA343 H1 25ML	✓			

Carriage 18°, Standard or clamping carriage, L=150 mm

Clamping carriage compl. 18°, transparent, L= 150, CE

Clamping carriage compl. 18°, transparent, L= 150, CE



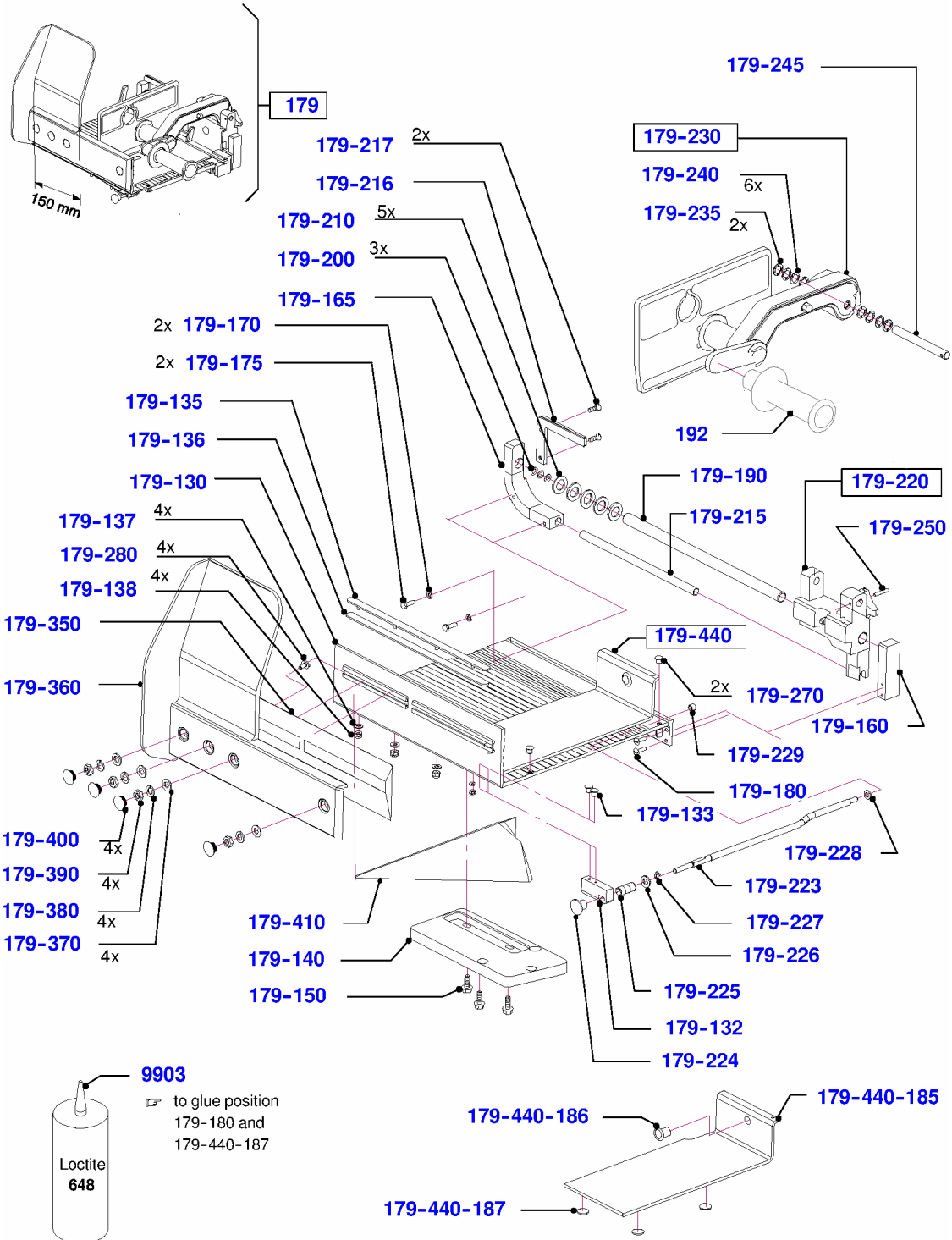
Carriage 18°, Standard or clamping carriage, L=150 mm

Item	Material No.	Qty	Material description	available for order	Wear part	Recomm. sp. part	Metr. relevance
179	60388017102	001	MOUNTING CARRIAGE CPL 18 TRANSP 150 CE				
179	60388017202	001	MOUNTING CARRIAGE CPL 18 TRANSP 150 CE C				
179-130	38018485000	001	Carriage Plate Mounting Carriage				
179-130	38019772000	001	carriage plate C				
179-132	38018483000	001	Guide block				
179-132	38019774000	001	Guide block C				
179-133	57630440000	002	Countersunk screw DIN963 M4x12-A2-70				
179-135	60354300800	001	Sliding bar				
179-136	60354301000	001	Adhesive foil				
179-137	56739040000	004	Washer DIN 125-A 4.3-A2-70 56739040000				
179-138	56400890000	004	Locknut DIN 985-M4-A2-70 56400890000				
179-140	38010566000	001	Carriage plate foot				
179-140	38014968000	001	Carriage plate foot C				
179-150	38900063000	003	Hexagon flange bolt DIN6921 M6x16-A2-70				
179-160	60380400803	001	bearing behind				
179-160	60380490803	001	Bearing behind C				
179-165	60380400600	001	Bearing, front				
179-165	60380490600	001	Bearing front C				
179-170	57767050000	002	Spring lock washer DIN128-A5-FSt				
179-175	57430160000	002	Hexagon Screw DIN 933-M5x16-A2				
179-180	56972530000	002	Mushroom head screw M4x16-A2-70				
179-190	60354301500	001	Guide axle 14x300,5				
179-200	50001510000	003	Disc spring 11x6,2x0,3				
179-210	60353601701	005	shock absorber				
179-215	60380400900	001	Guide axle 10x219,5				
179-216	60380401100	001	Stop 18L				
179-217	57630540000	002	Countersunk Screw DIN963 M5x16-A2-70				
179-220	60380401200	001	Guide, preas.				
179-220	60380491200	001	Guide preassembled C				
179-223	38018862000	001	Pull rod				
179-224	56087170000	001	Mushroom handle M6 I				
179-225	50275260000	001	Compression spring 11x26x5,5x1				
179-226	56739080000	001	Washer DIN 125-A 8.4-A2-70				
179-227	57753500000	001	Retaining washer DIN6799-5				
179-228	56739060000	001	Washer DIN125-A-6-A2				
179-229	38004699000	001	Plain bearing 6x8x6				
179-230	60353800705	001	Slider protection and lever				
179-230	60353890702	001	Slider protection and lever C				
179-235	60220001100	002	Thrust washer 16x10,1x1				
179-240	60260212200	006	Washer 16x10x0,06				
179-245	60353602300	001	Axle 10x101				
179-250	56322570000	001	Grooved Taper Pin DIN 1471-4x24-A2-70				

Carriage 18°, Standard or clamping carriage, L=150 mm

Clamping carriage compl. 18°, transparent, L= 150, CE

Clamping carriage compl. 18°, transparent, L= 150, CE



Carriage 18°, Standard or clamping carriage, L=150 mm

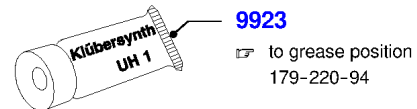
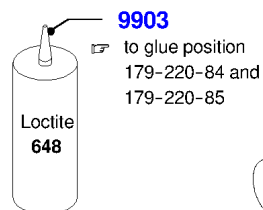
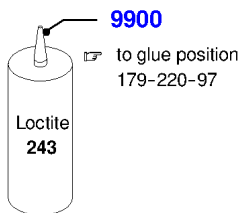
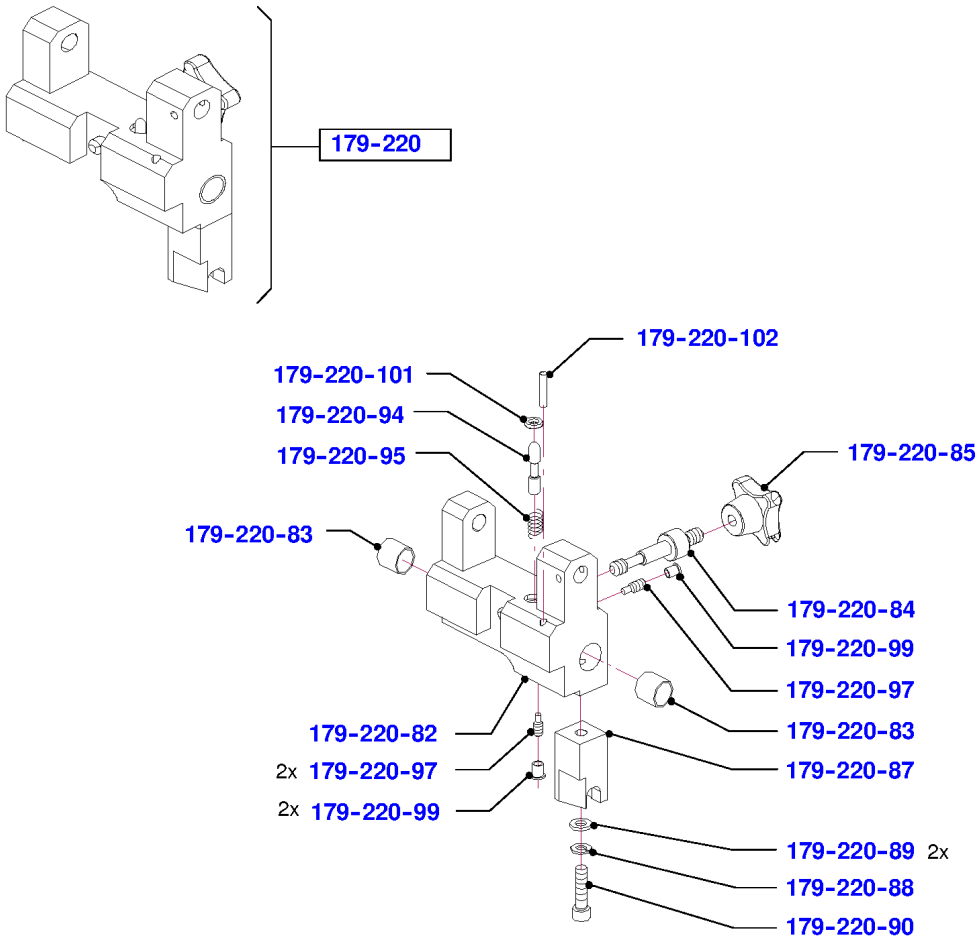
Item	Material No.	Qty	Material description	available for order	Wear part	Recomm. sp. part	Metr. relevance
179-270	60274601001	002	Bolt PA - 4,1x4,5	✓			
179-280	60370401900	004	Screw	✓			
179-350	60370402001	001	adhesive foil	✓			
179-360	60370302100	001	REAR WALL WIDE	✓		✓	
179-370	56739050000	004	Washer DIN 125-A 5_3 -A2-70 56739050000	✓		✓	
179-380	57767050000	004	Spring lock washer DIN128-A5-FSt	✓			
179-390	56444500000	004	Hexagon nut DIN439-M5-A2	✓			
179-400	60370402200	004	PROTECTIVE PLUG	✓		✓	
179-410	38014990000	001	Protective plate 18 C	✓			
179-410	60380402400	001	Protection plate 18	✓			
179-440	38031761000	001	Supporting Plate Complete	✓			
179-440	38031869000	001	Supporting plate compl. C	✓			
179-440-185	38031760000	001	SUPPORTING PLATE	✓			
179-440-185	38031868000	001	SUPPORTING PLATE C	✓			
179-440-186	60530200028	001	THREADED BUSHING	✓			
179-440-187	60260208200	004	Sliding disc 8x2	✓			
192	38031674000	001	Handle with cap black	✓			
9903	95972840000	001	LOCTITE 648 10M	✓			

Carriage 18°, Standard or clamping carriage, L=150 mm

Carriage inclination 18°, Low - Clamping carriage Guide, preassembled

Carriage inclination 18°, Low - Clamping carriage

Guide, preassembled



Carriage 18°, Standard or clamping carriage, L=150 mm

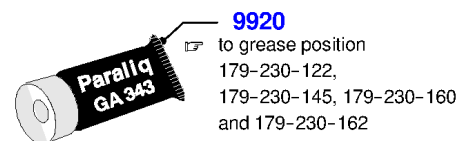
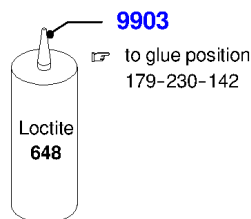
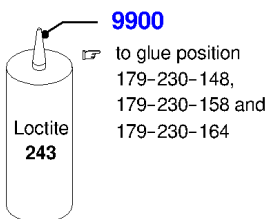
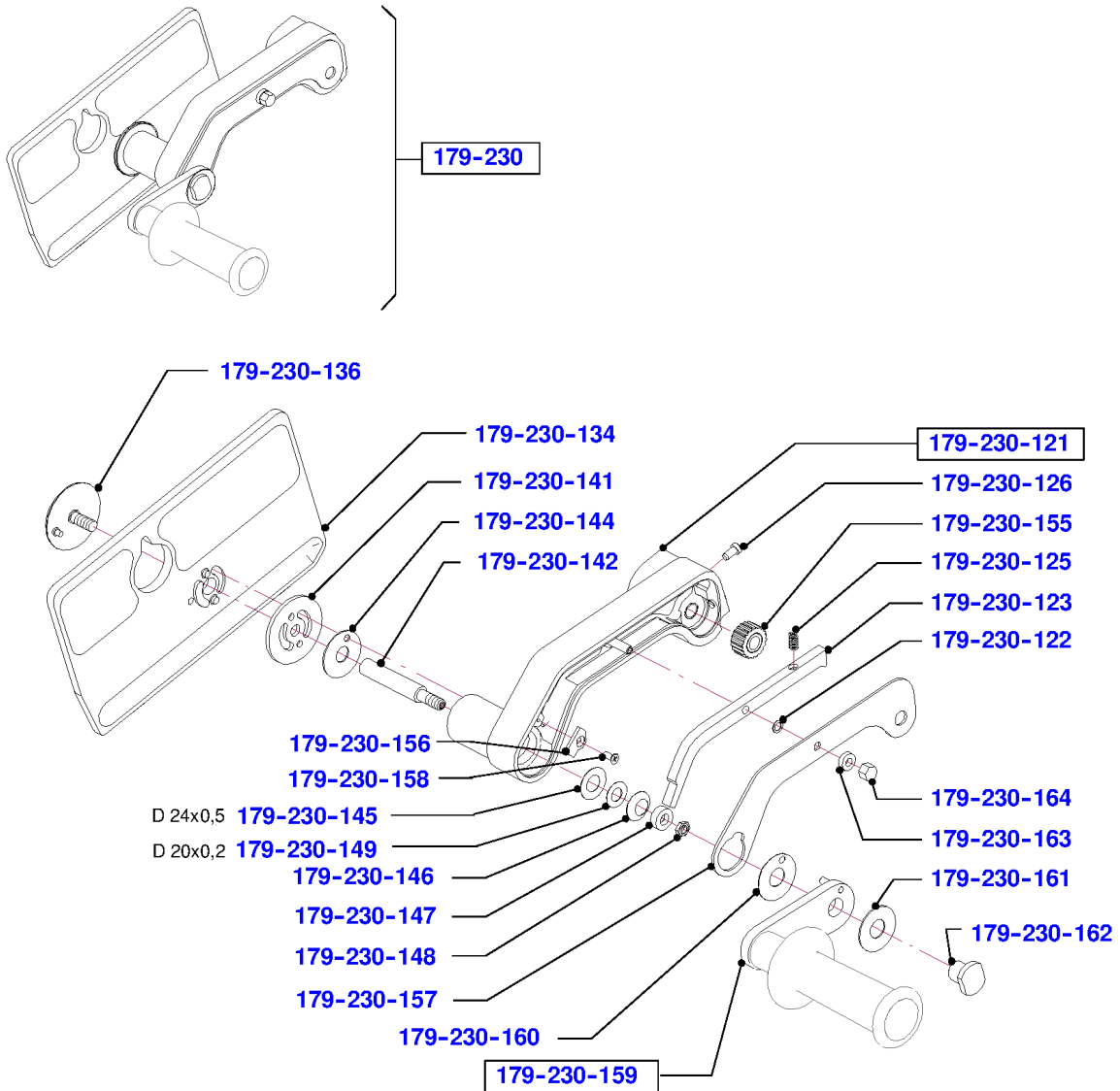
Item	Material No.	Qty	Material description	available for order	Wear part	Recomm. sp. part	Metr. relevance
179-220	60380401200	001	Guide, preas.	✓			
179-220	60380491200	001	Guide preassembled C	✓			
179-220-82	60380401400	001	GUIDE	✓			
179-220-82	60380491400	001	GUIDE C	✓			
179-220-83	38004696000	002	Plain bearing 14x16x15	✓			
179-220-84	60380401600	001	THREADED BOLT	✓			
179-220-85	56087080000	001	STAR KNOB DIN 6335- K 50 M8	✓		✓	
179-220-87	60380401500	001	ARM	✓			
179-220-88	57767060000	001	Spring lock washer DIN128-A6-FSt	✓			
179-220-89	56739060000	002	Washer DIN125-A-6-A2	✓			
179-220-90	57743440000	001	Socket Head Screw DIN 912-M6x25-A2-70	✓			
179-220-94	60380401700	001	SPRING BOLT	✓			
179-220-95	40110201104	001	PRESSURE SPRING 0110201104	✓			
179-220-97	56070470000	002	SETSCREW DIN 926- M4X4X2.5- A2- 70	✓			
179-220-99	40110102102	002	Bolt 7x1	✓			
179-220-101	56395310000	001	SHAFT SEAL INA G6X10X2	✓			
179-220-102	56187740000	001	Cylindrical pin EN 22338-4m6x20-A2	✓			
9900	95972940000	001	LOCTITE 243 10ML	✓			
9903	95972840000	001	LOCTITE 648 10M	✓			
9923	96055080000	001	Kluebersynth UH1 64-62/25kg	✓			

Carriage 18°, Standard or clamping carriage, L=150 mm

Carriage inclination 18°, Low - Clamping carriage Slider protection + lever

Carriage inclination 18°, Low - Clamping carriage

Slider protection + lever



Carriage 18°, Standard or clamping carriage, L=150 mm

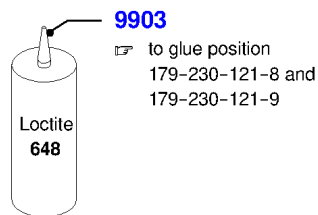
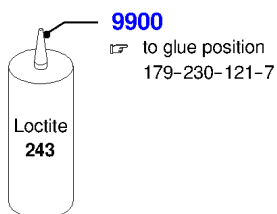
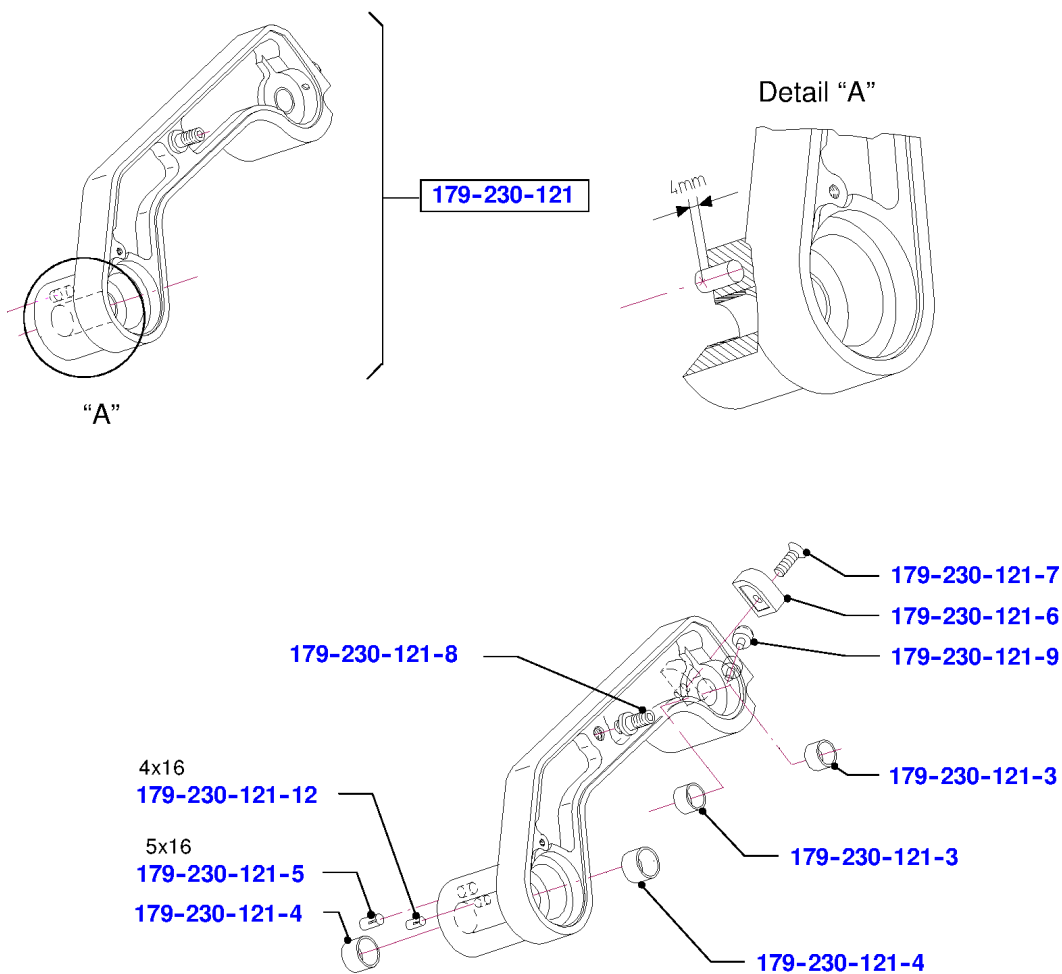
Item	Material No.	Qty	Material description	available for order	Wear part	Recomm. sp. part	Metr. relevance
179-230	60353800705	001	Slider protection and lever	✓			
179-230	60353890702	001	Slider protection and lever C	✓			
179-230-121	38031777000	001	Lever preassembled	✓			
179-230-121	38031871000	001	Lever preassembled C	✓			
179-230-122	00110500002	001	WASHER 6.2X0.5	✓			
179-230-123	60260207003	001	Lock lever	✓			
179-230-125	40182400005	001	Pressure spring 6,6x5,4x15	✓			
179-230-126	60220003700	001	Distance bolt 8x10	✓			
179-230-134	60353801703	001	SLIDER PROTECTION	✓			
179-230-136	60270201802	001	Washer with pin	✓			
179-230-141	60220401600	001	Lock washer	✓			
179-230-142	60260207100	001	Axle 12x79	✓			
179-230-144	38033016000	001	washer	✓			
179-230-145	00110000074	002	Washer 12,5x24x0,5	✓			
179-230-146	50001690000	001	Disc spring 21,8x12,3x0,25	✓			
179-230-147	60260207201	001	cup disk	✓			
179-230-148	56444800000	001	Hexagon nut DIN439-M8-A2	✓			
179-230-149	38047077000	001	Washer 20x12,2x0,2	✓			
179-230-155	60260207301	001	CONTROL GEAR	✓			
179-230-156	60260212500	001	Stop	✓			
179-230-157	60260207502	001	Cover	✓			
179-230-157	60260297500	001	COVER C	✓			
179-230-158	57451390000	001	Countersunk Screw DIN965 M4x10-A2-70-T20	✓			
179-230-159	60353801202	001	LEVER EXTENSION PREASSEMBLED	✓			
179-230-159	60353891201	001	LEVER EXTENSION PREASSEMBLED C	✓			
179-230-160	60260211900	001	Thrust washer 35x14,1x0,5	✓			
179-230-161	60260212300	001	Thrust washer 34x14,1x1	✓			
179-230-162	60260207800	001	Bearing nut SW19xM8x21	✓			
179-230-162	60260297800	001	DIVOT NUT C	✓			
179-230-163	57750010000	001	Disk SR1947 6.2x12.7x3.8	✓			
179-230-164	56413060000	001	Cap nut DIN917-M6-A2	✓			
9900	95972940000	001	LOCTITE 243 10ML	✓			
9903	95972840000	001	LOCTITE 648 10M	✓			
9920	94008908076	001	GREASE PARALIQ GA343 H1 25ML	✓			

Carriage 18°, Standard or clamping carriage, L=150 mm

Carriage inclination 18°, Low - Clamping carriage Lever, preassembled

Carriage inclination 18°, Low - Clamping carriage

Lever, preassembled



Carriage 18°, Standard or clamping carriage, L=150 mm

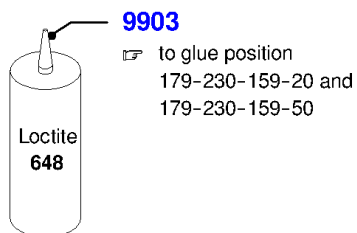
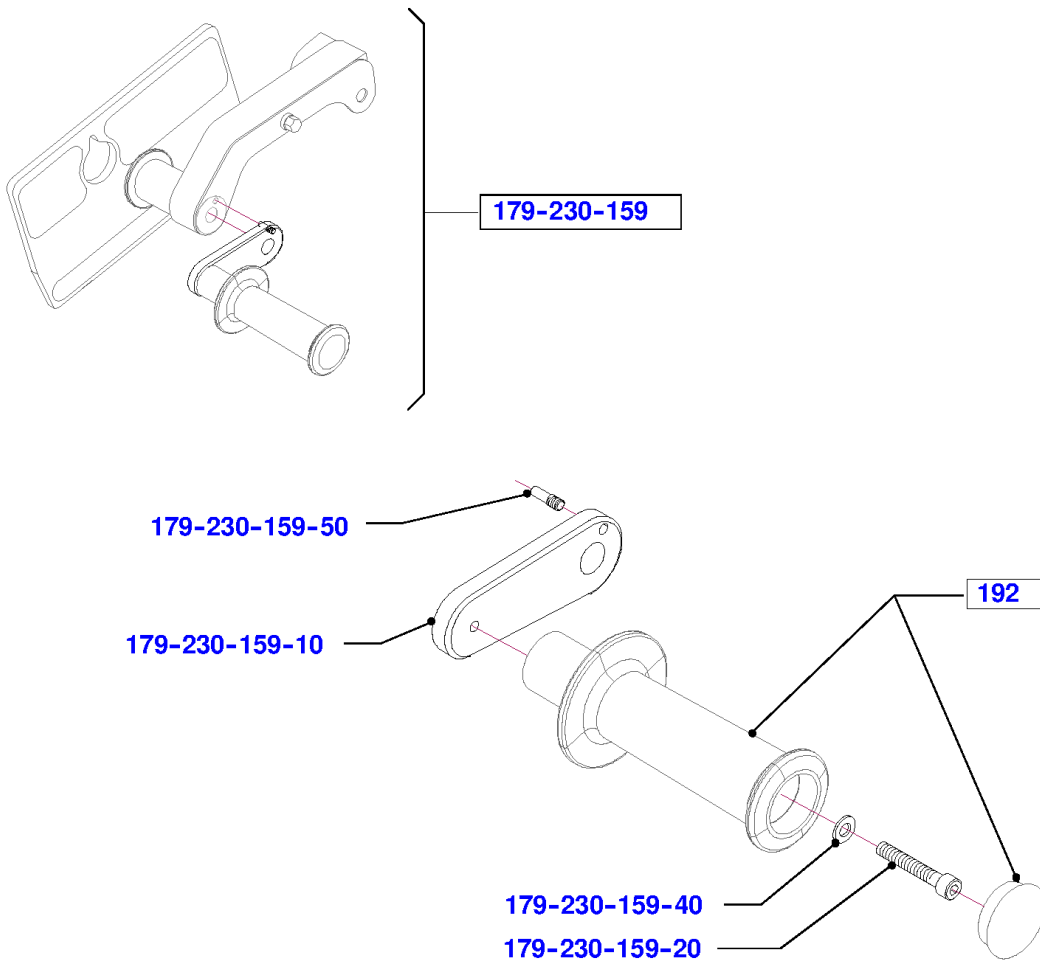
Item	Material No.	Qty	Material description	available for order	Wear part	Recomm. sp. part	Metr. relevance
179-230-121	38031777000	001	Lever preassembled	✓			
179-230-121	38031871000	001	Lever preassembled C	✓			
179-230-121-3	38006643000	002	Plain bearing 10x12x12	✓			
179-230-121-4	38027530000	002	Plain bearing 12x14x15	✓			
179-230-121-5	56337160000	001	Grooved Pin DIN 1474-5x16 A2-70	✓			
179-230-121-6	60260206700	001	Stop	✓			
179-230-121-7	57630630000	001	Countersunk Screw DIN963 M6x16-A2-70	✓			
179-230-121-8	60260206803	001	BEARING BOLT	✓			
179-230-121-9	60353603500	001	Stop bushing 16x10	✓			
179-230-121-12	56336160000	001	Grooved Pin DIN 1474-4x16 A2-70	✓			
9900	95972940000	001	LOCTITE 243 10ML	✓			
9903	95972840000	001	LOCTITE 648 10M	✓			

Carriage 18°, Standard or clamping carriage, L=150 mm

Carriage inclination 18°, Low - Clamping carriage Level extension, mounted

Carriage inclination 18°, Low - Clamping carriage

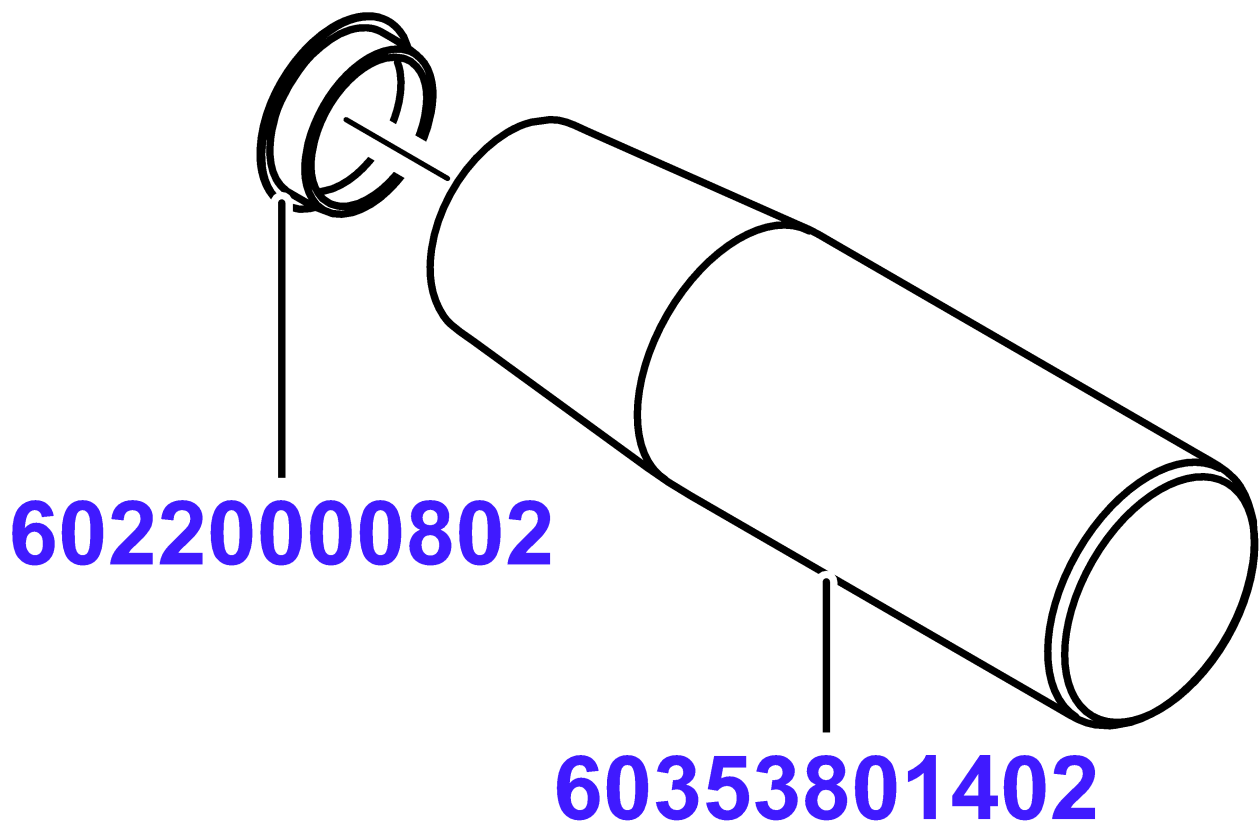
Level extension, mounted



Carriage 18°, Standard or clamping carriage, L=150 mm

Item	Material No.	Qty	Material description	available for order	Wear part	Recomm. sp. part	Metr. relevance
179-230-159	60353801202	001	LEVER EXTENSION PREASSEMBLED	✓			
179-230-159	60353891201	001	LEVER EXTENSION PREASSEMBLED C	✓			
179-230-159-10	60353801201	001	LEVER EXTENSION ASSEMBLED	✓		✓	
179-230-159-10	60353891500	001	LEVER EXTENSION C	✓			
179-230-159-20	57743740000	001	Cylinder screw DIN912 M8x50-A2-70	✓			
179-230-159-40	56739080000	001	Washer DIN 125-A 8.4-A2-70	✓			
179-230-159-50	60260212400	001	Stop pin M6x20	✓			
192	38031674000	001	Handle with cap black	✓			
9903	95972840000	001	LOCTITE 648 10M	✓			

Handle with cap black

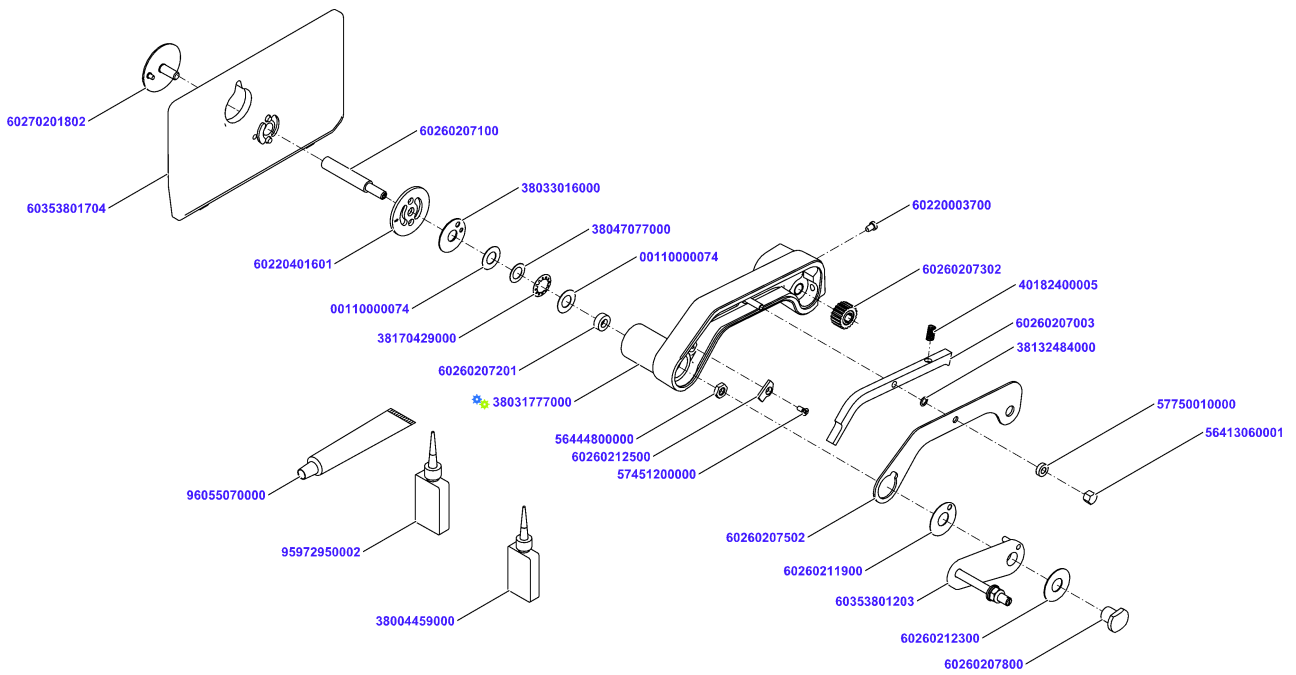


Handle with cap black

Material No.	Qty	Material description
60353801402	1	Handle
60220000802	1	Protective plug knurled black

available for order
Wear part
Recomm. sp. part
Metr. relevance

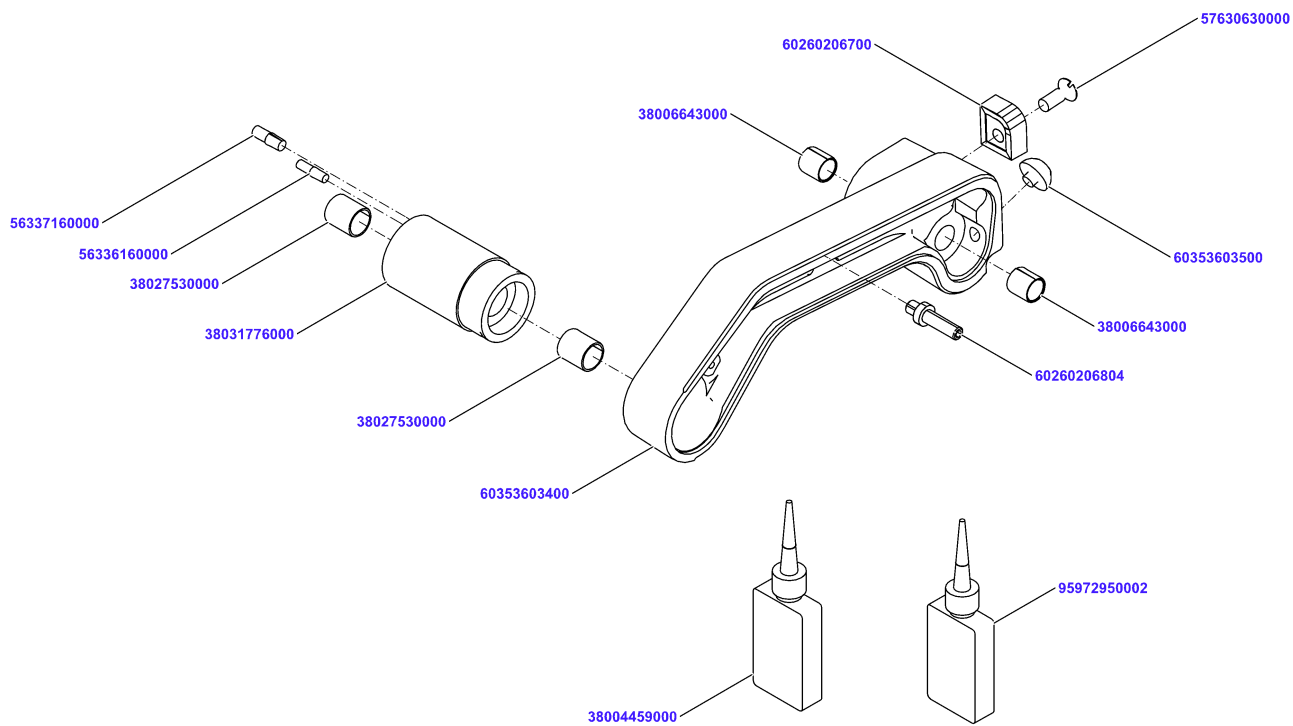
Slider protection and lever



Slider protection and lever

Material No.	Qty	Material description	available for order	Wear part	Recomm. sp. part	Metr. relevance
38031777000	1	Lever preassembled				
38132484000	1	Washer 6,2x9,5x0,5				
60260207003	1	Lock lever				
40182400005	1	Pressure spring 6,6x5,4x15				
60220003700	1	Distance bolt 8x10				
60353801704	1	Guard plate 135,5x230x8 grün transpar				
60270201802	1	Washer with pin				
60220401601	1	Lock washer				
60260207100	1	Axle 12x79				
96055070000	0,01	Grease PARALIQ GA 343				
38033016000	1	washer				
00110000074	2	Washer 12,5x24x0,5				
38170429000	1	Disc spring 23,7x14,3x0,3x1,3 tf-k slot*				
60260207201	1	cup disk				
56444800000	1	Hexagon nut DIN439-M8-A2				
38047077000	1	Washer 20x12,2x0,2				
60260207302	1	Control Gear				
60260212500	1	Stop				
60260207502	1	Cover				
57451200000	1	Countersunk screw DIN965 M4x10-A2-70				
60353801203	1	Lever extension preassembled				
60260211900	1	Thrust washer 35x14,1x0,5				
60260212300	1	Thrust washer 34x14,1x1				
60260207800	1	Bearing nut SW19xM8x21				
57750010000	1	Disk SR1947 6.2x12.7x3.8				
56413060001	1	Cap nut DIN917-M6-A2				
95972950002	0,001	Loctite 243 50 ml 95972950002				
38004459000	0,001	Loctite 648				

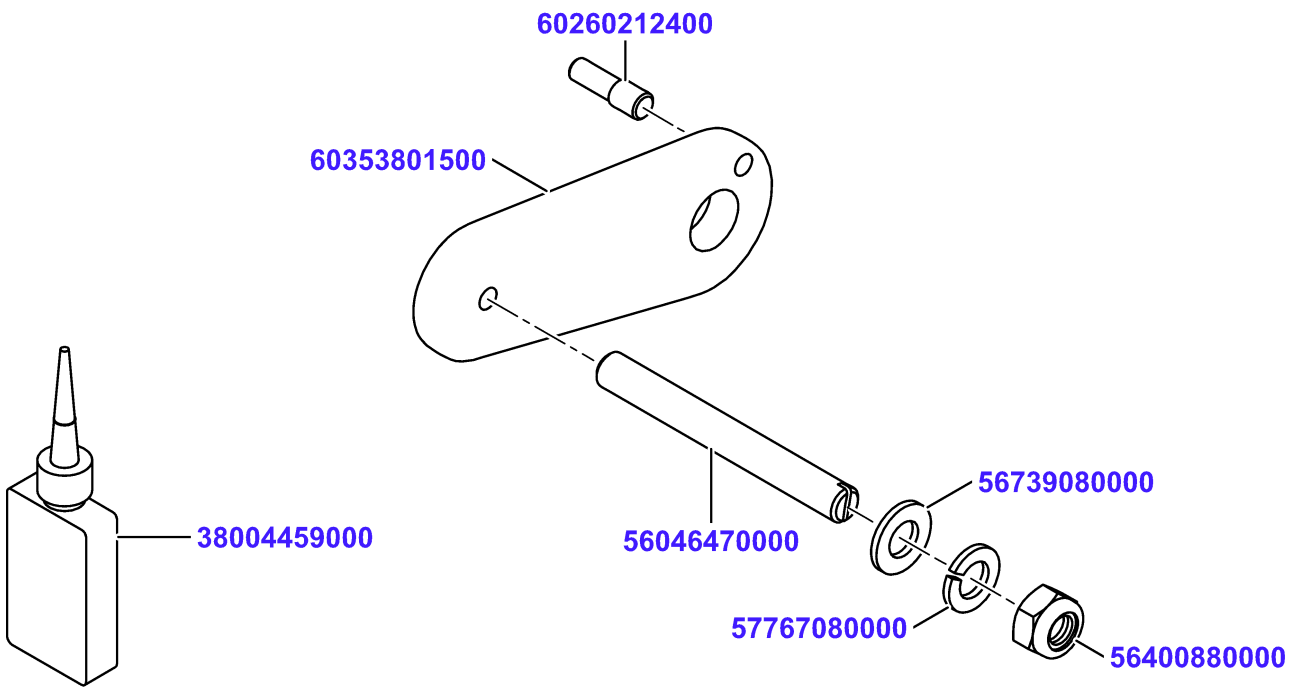
Lever preassembled



Lever preassembled

Material No.	Qty	Material description	available for order	Wear part	Recomm. sp. part	Metr. relevance
60353603400	1	Lever				
38031776000	1	Lever hub				
38006643000	2	Plain bearing 10x12x12				
38027530000	2	Plain bearing 12x14x15				
56337160000	1	Grooved Pin DIN 1474-5x16 A2-70				
60260206700	1	Stop				
57630630000	1	Countersunk Screw DIN963 M6x16-A2-70				
60260206804	1	Thread bolt SW9x30 out/out M6x5 M6x8				
60353603500	1	Stop bushing 16x10				
38004459000	0,001	Loctite 648				
95972950002	0,001	Loctite 243 50 ml 95972950002				
56336160000	1	Grooved Pin DIN 1474-4x16 A2-70				

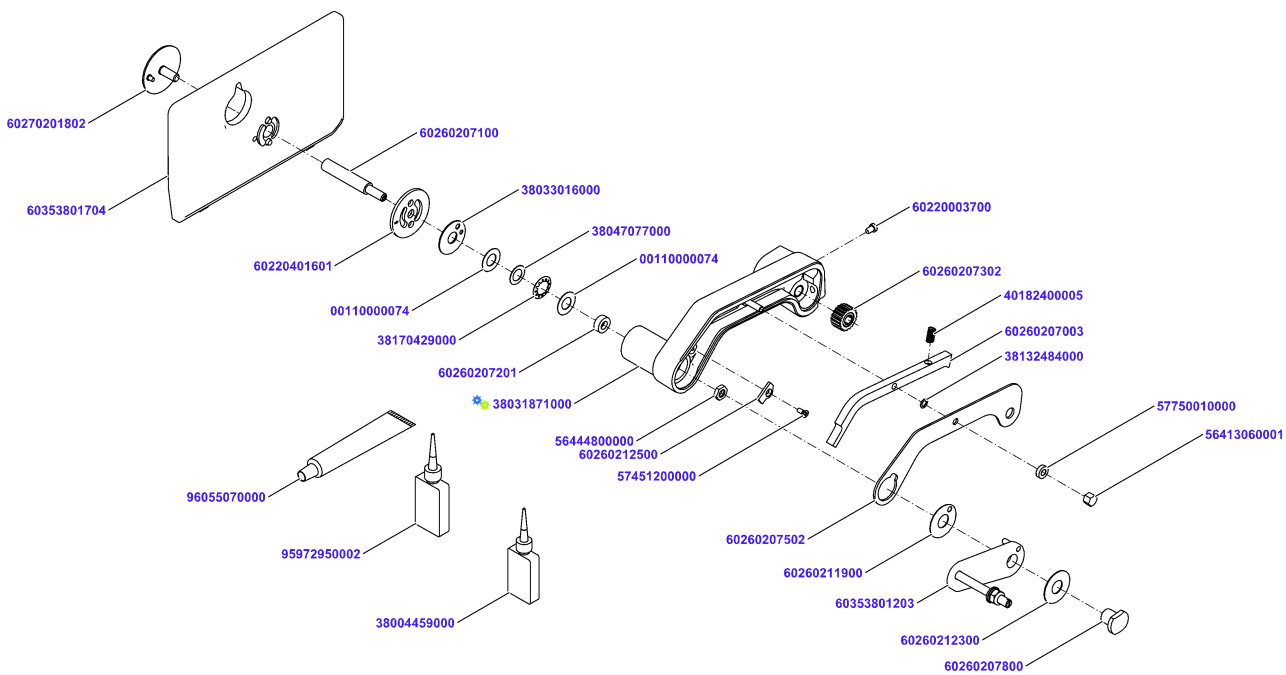
Lever extension preassembled



Lever extension preassembled

Material No.	Qty	Material description	available for order	Wear part	Recomm. sp. part	Metr. relevance
60353801500	1	Lever extension 100x35x8				
56046470000	1	Set screw DIN551 M8x70-A2-70				
38004459000	0,001	Loctite 648				
56739080000	1	Washer DIN 125-A 8.4-A2-70				
57767080000	1	Spring lock washer DIN128-A8-A2				
56400880000	1	Lock nut DIN985-M8-A2				
60260212400	1	Stop pin M6x20				

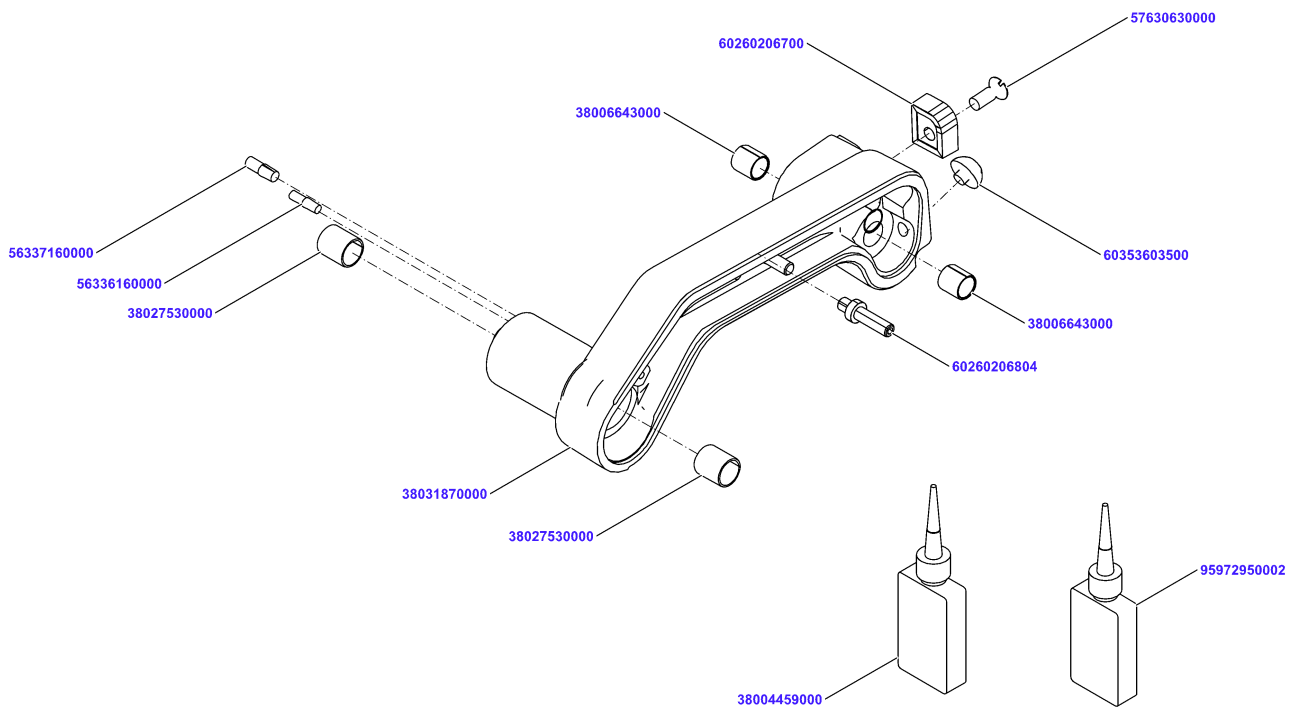
Slider protection and lever C














Slider protection and lever C

Material No.	Qty	Material description	available for order	Wear part	Recomm. sp. part	Metr. relevance
38031871000	1	Lever preassembled C				
38132484000	1	Washer 6,2x9,5x0,5				
60260207003	1	Lock lever				
40182400005	1	Pressure spring 6,6x5,4x15				
60220003700	1	Distance bolt 8x10				
60353801704	1	Guard plate 135,5x230x8 grün transpar				
60270201802	1	Washer with pin				
60220401601	1	Lock washer				
60260207100	1	Axle 12x79				
96055070000	0,01	Grease PARALIQ GA 343				
38033016000	1	washer				
00110000074	2	Washer 12,5x24x0,5				
38170429000	1	Disc spring 23,7x14,3x0,3x1,3 tf-k slot*				
60260207201	1	cup disk				
56444800000	1	Hexagon nut DIN439-M8-A2				
38047077000	1	Washer 20x12,2x0,2				
60260207302	1	Control Gear				
60260212500	1	Stop				
60260207502	1	Cover				
57451200000	1	Countersunk screw DIN965 M4x10-A2-70				
60353801203	1	Lever extension preassembled				
60260211900	1	Thrust washer 35x14,1x0,5				
60260212300	1	Thrust washer 34x14,1x1				
60260207800	1	Bearing nut SW19xM8x21				
57750010000	1	Disk SR1947 6.2x12.7x3.8				
56413060001	1	Cap nut DIN917-M6-A2				
95972950002	0,001	Loctite 243 50 ml 95972950002				
38004459000	0,001	Loctite 648				

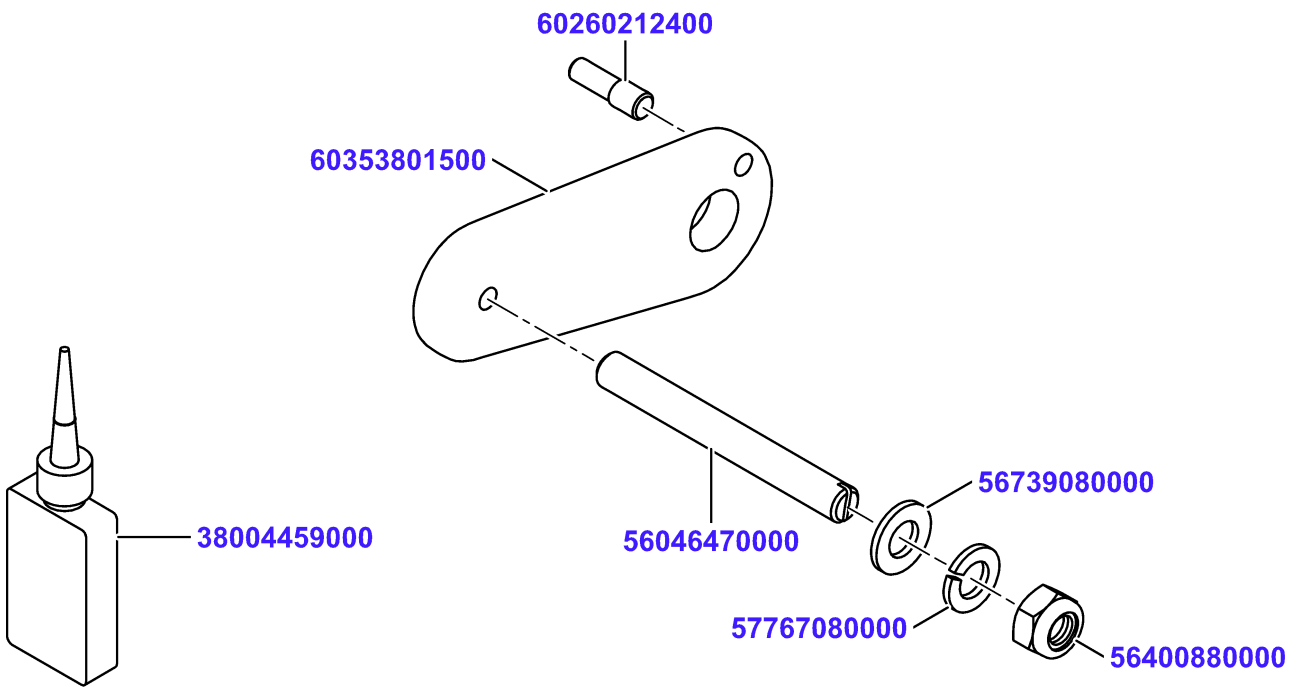
Lever preassembled C



Lever preassembled C

Material No.	Qty	Material description	available for order	Wear part	Recomm. sp. part	Metr. relevance
38031870000	1	Lever with lever hub C				
38006643000	2	Plain bearing 10x12x12				
38027530000	2	Plain bearing 12x14x15				
56337160000	1	Grooved Pin DIN 1474-5x16 A2-70				
60260206700	1	Stop				
57630630000	1	Countersunk Screw DIN963 M6x16-A2-70				
60260206804	1	Thread bolt SW9x30 out/out M6x5 M6x8				
60353603500	1	Stop bushing 16x10				
38004459000	0,001	Loctite 648				
95972950002	0,001	Loctite 243 50 ml 95972950002				
56336160000	1	Grooved Pin DIN 1474-4x16 A2-70				

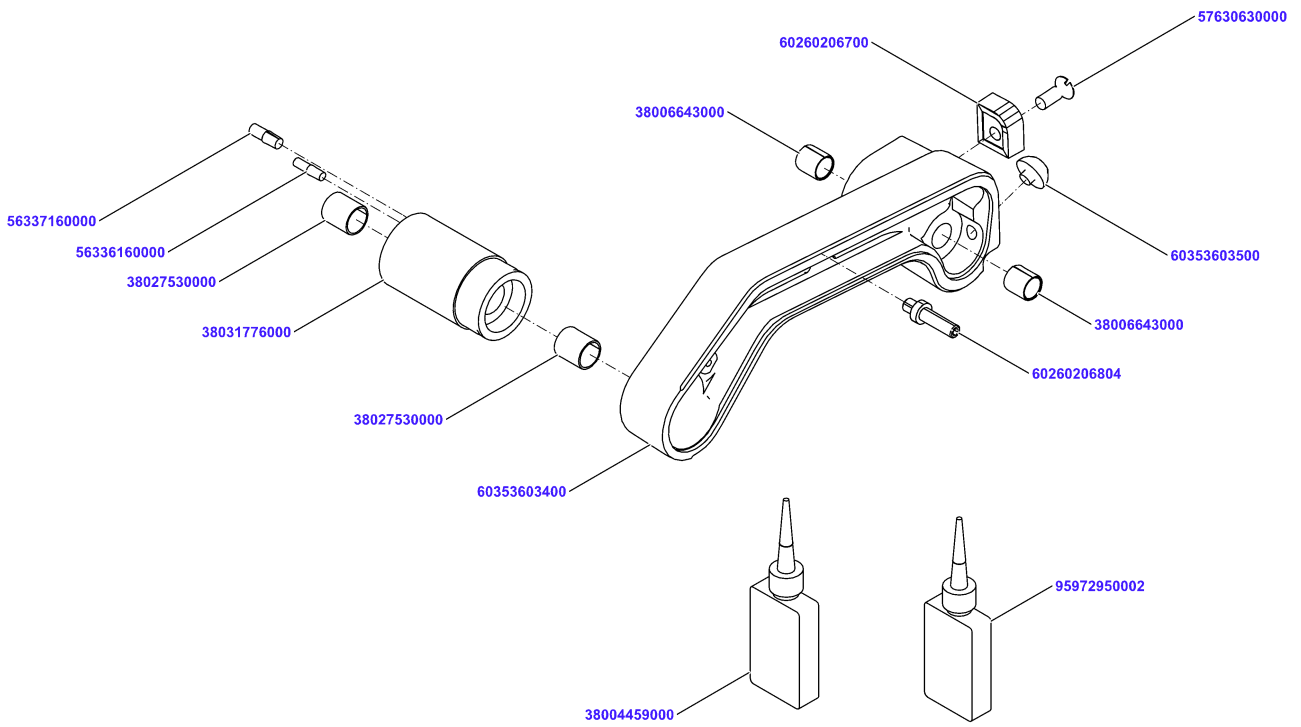
Lever extension preassembled















Lever extension preassembled

Material No.	Qty	Material description	available for order	Wear part	Recomm. sp. part	Metr. relevance
60353801500	1	Lever extension 100x35x8				
56046470000	1	Set screw DIN551 M8x70-A2-70				
38004459000	0,001	Loctite 648				
56739080000	1	Washer DIN 125-A 8.4-A2-70				
57767080000	1	Spring lock washer DIN128-A8-A2				
56400880000	1	Lock nut DIN985-M8-A2				
60260212400	1	Stop pin M6x20				

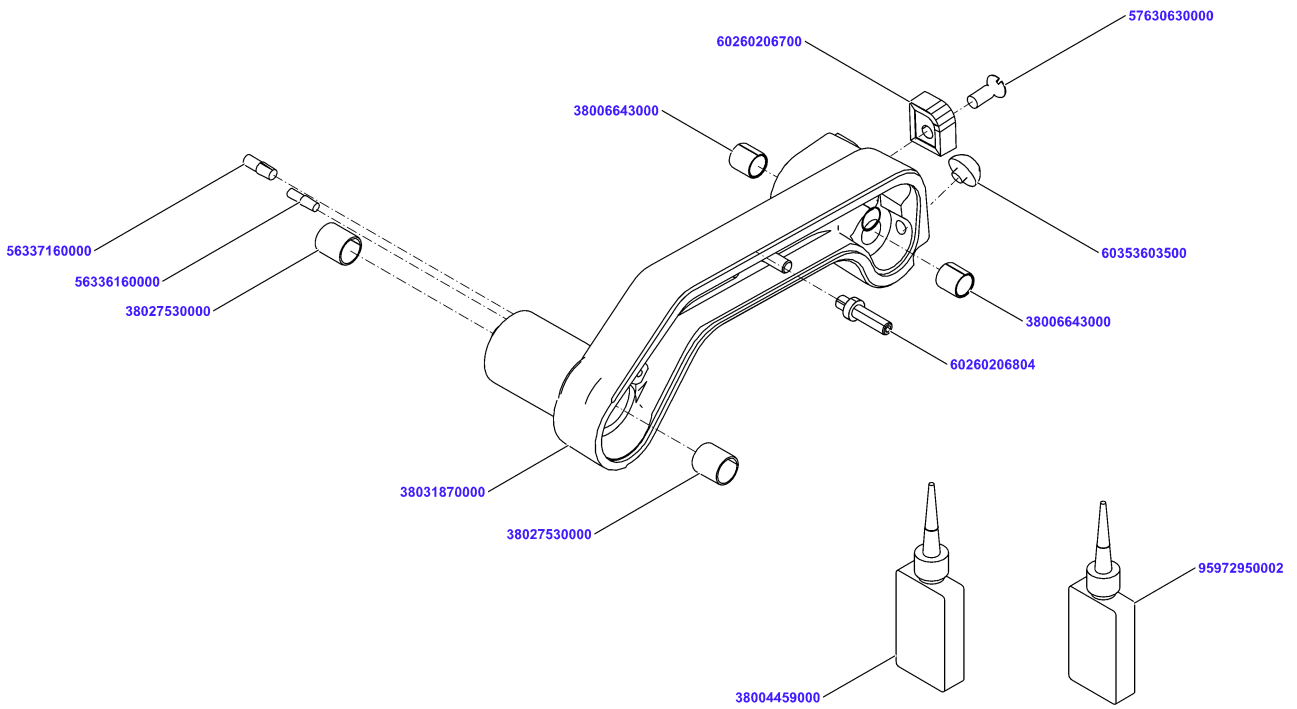
Lever preassembled














Lever preassembled

Material No.	Qty	Material description	available for order	Wear part	Recomm. sp. part	Metr. relevance
60353603400	1	Lever				
38031776000	1	Lever hub				
38006643000	2	Plain bearing 10x12x12				
38027530000	2	Plain bearing 12x14x15				
56337160000	1	Grooved Pin DIN 1474-5x16 A2-70				
60260206700	1	Stop				
57630630000	1	Countersunk Screw DIN963 M6x16-A2-70				
60260206804	1	Thread bolt SW9x30 out/out M6x5 M6x8				
60353603500	1	Stop bushing 16x10				
38004459000	0,001	Loctite 648				
95972950002	0,001	Loctite 243 50 ml 95972950002				
56336160000	1	Grooved Pin DIN 1474-4x16 A2-70				

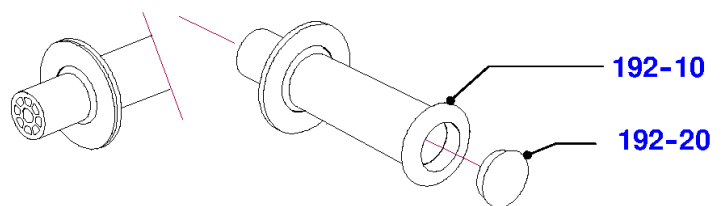
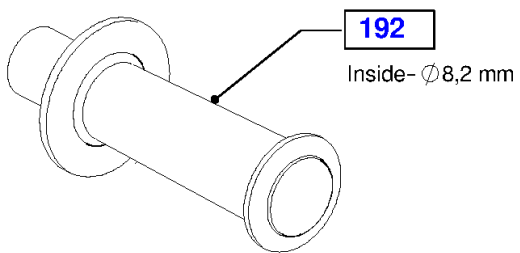
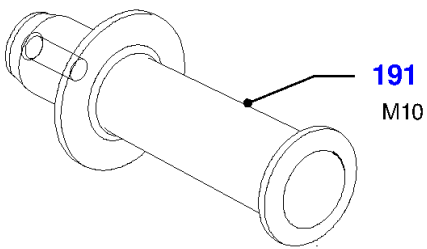
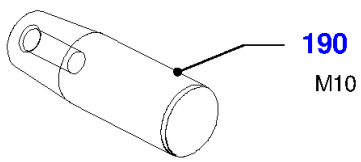
Lever preassembled C



Lever preassembled C

Material No.	Qty	Material description	available for order	Wear part	Recomm. sp. part	Metr. relevance
38031870000	1	Lever with lever hub C				
38006643000	2	Plain bearing 10x12x12				
38027530000	2	Plain bearing 12x14x15				
56337160000	1	Grooved Pin DIN 1474-5x16 A2-70				
60260206700	1	Stop				
57630630000	1	Countersunk Screw DIN963 M6x16-A2-70				
60260206804	1	Thread bolt SW9x30 out/out M6x5 M6x8				
60353603500	1	Stop bushing 16x10				
38004459000	0,001	Loctite 648				
95972950002	0,001	Loctite 243 50 ml 95972950002				
56336160000	1	Grooved Pin DIN 1474-4x16 A2-70				

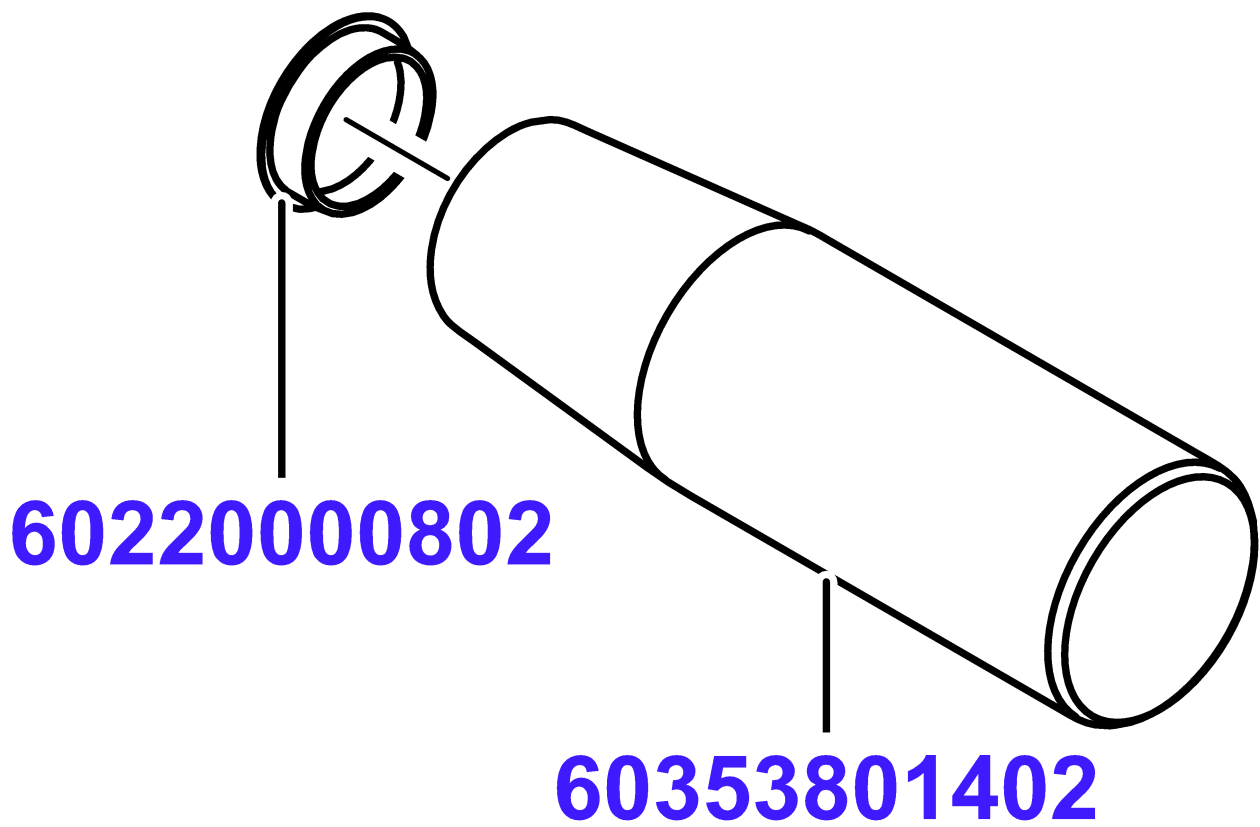
Handhold



Handhold

Item	Material No.	Qty	Material description	available for order	Wear part	Recomm. sp. part	Metr. relevance
190	60370303700	001	Handhold 27,5x89,5 M10x35 PA black	✓			
190	38032678000	001	Handhold 27,5x89,5 M10x35 PA red	✓			
191	38036888000	001	Handle 151,75 x 60 black	✓			
192	38031674000	001	Handle with cap black	✓			
192-10	60353801402	001	Handle	✓			
192-20	60220000802	001	Protective plug knurled black	✓			

Handle with cap black

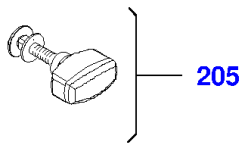
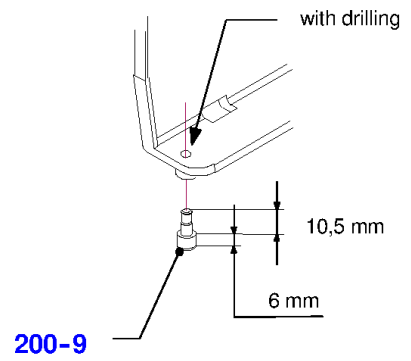
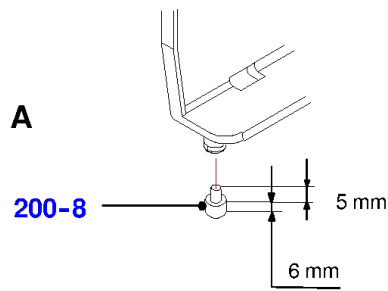
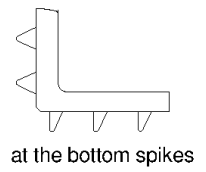
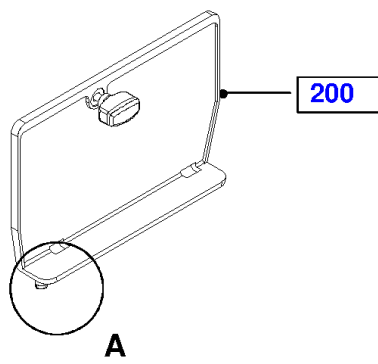


Handle with cap black







Material No.	Qty	Material description
60353801402	1	Handle
60220000802	1	Protective plug knurled black

available for order
Wear part
Recomm. sp. part
Metr. relevance

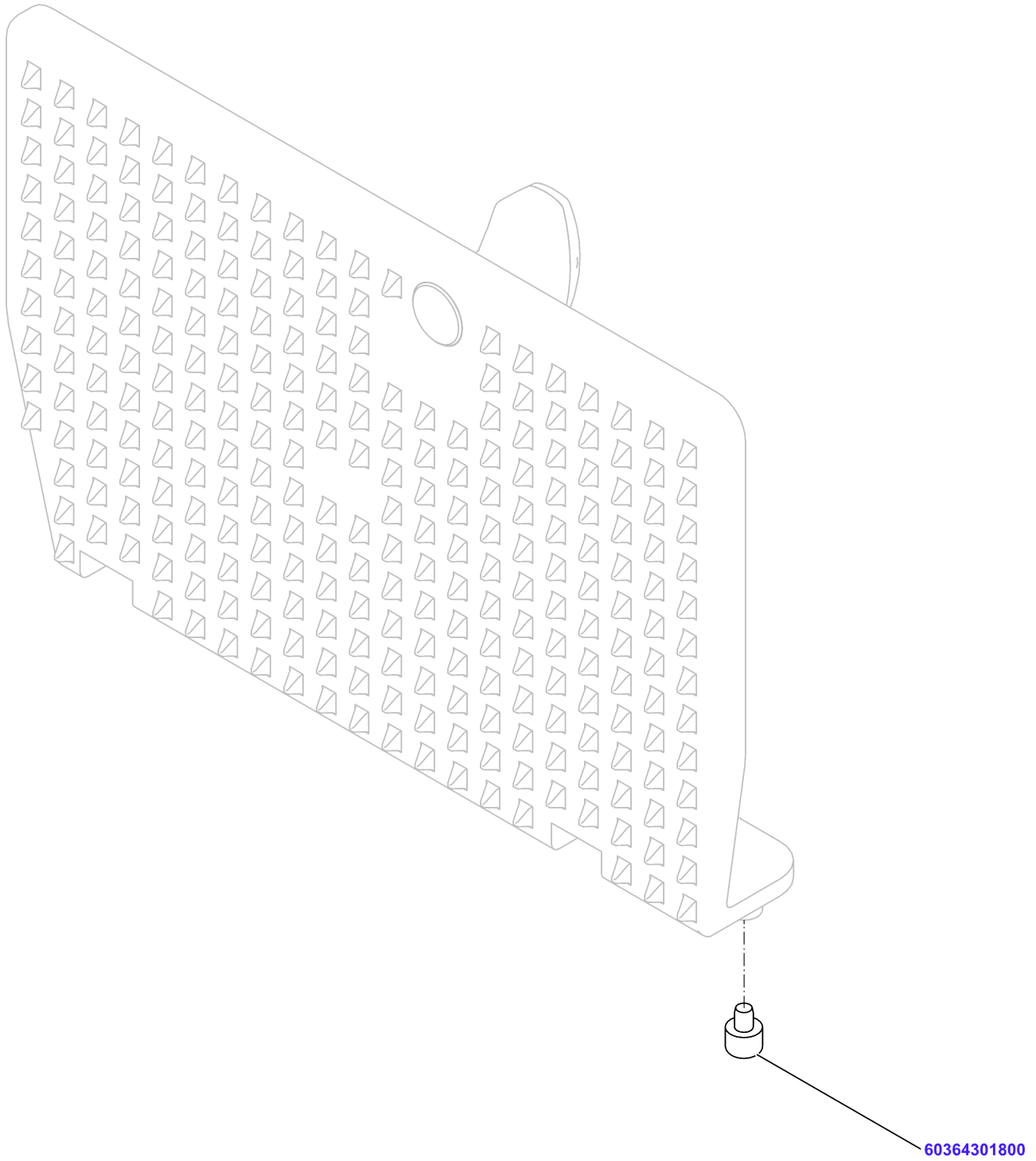
Remnant holder



Remnant holder

Item	Material No.	Qty	Material description	available for order	Wear part	Recomm. sp. part	Metr. relevance
200	60364302800	001	Remnant holder peaks below bolt 6 mm				
200	60380411701	001	Remnant holder peaks below black cpl.				
200	38031983000	001	Remnant holder with peaks and bolt 6 mm				
200-8	60364301800	001	Support bolt long				
200-9	38031972000	001	supporting pin				
205	60220406801	001	CLAMP HANDLE COMPL.				

Remnant holder peaks below bolt 6 mm



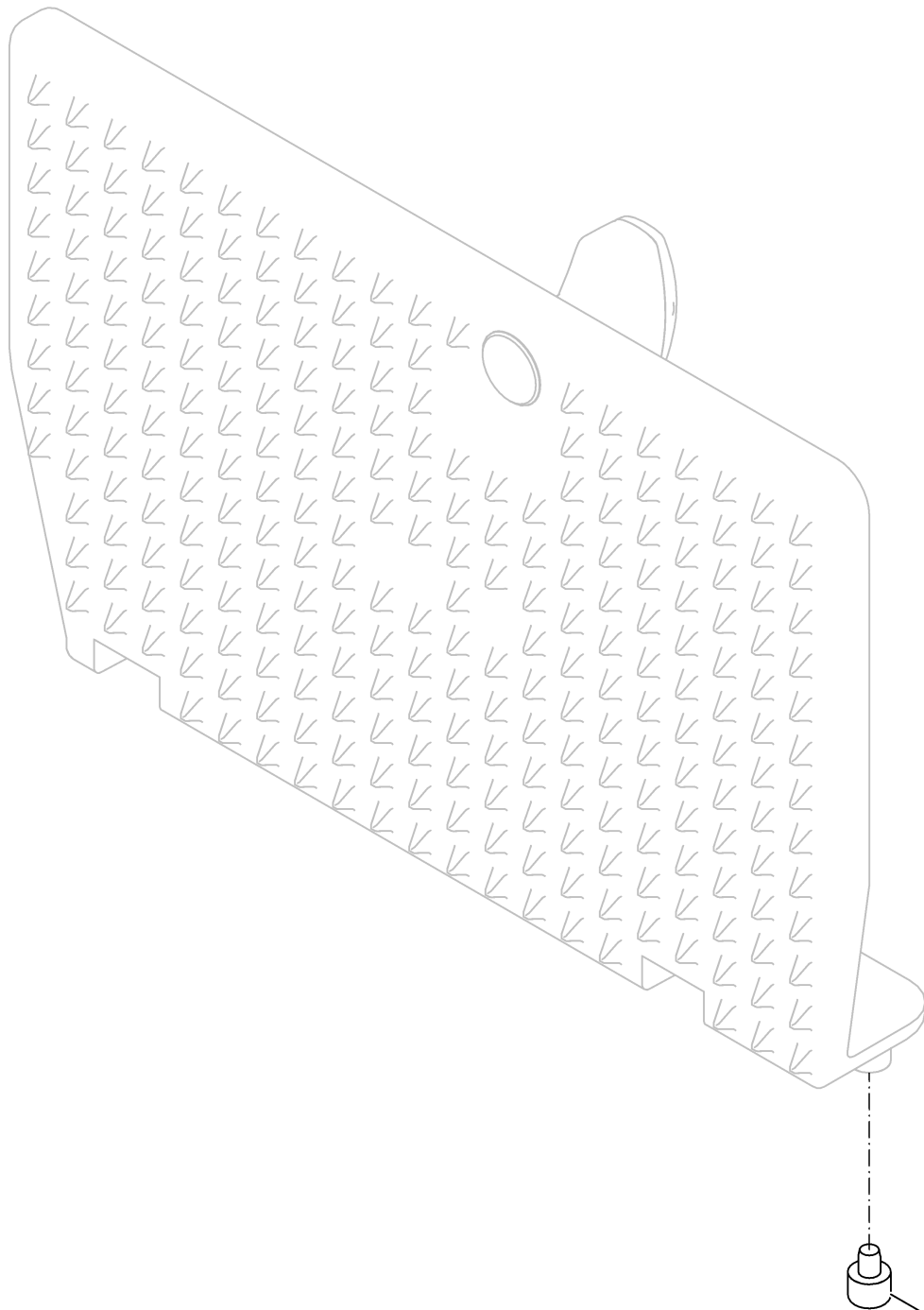
Remnant holder peaks below bolt 6 mm

Material No.	Qty	Material description
60364301800	1	Support bolt long

available for order
Wear part
Recomm. sp. part
Metr. relevance



Remnant holder peaks below black cpl.



60364301800

Remnant holder peaks below black cpl.

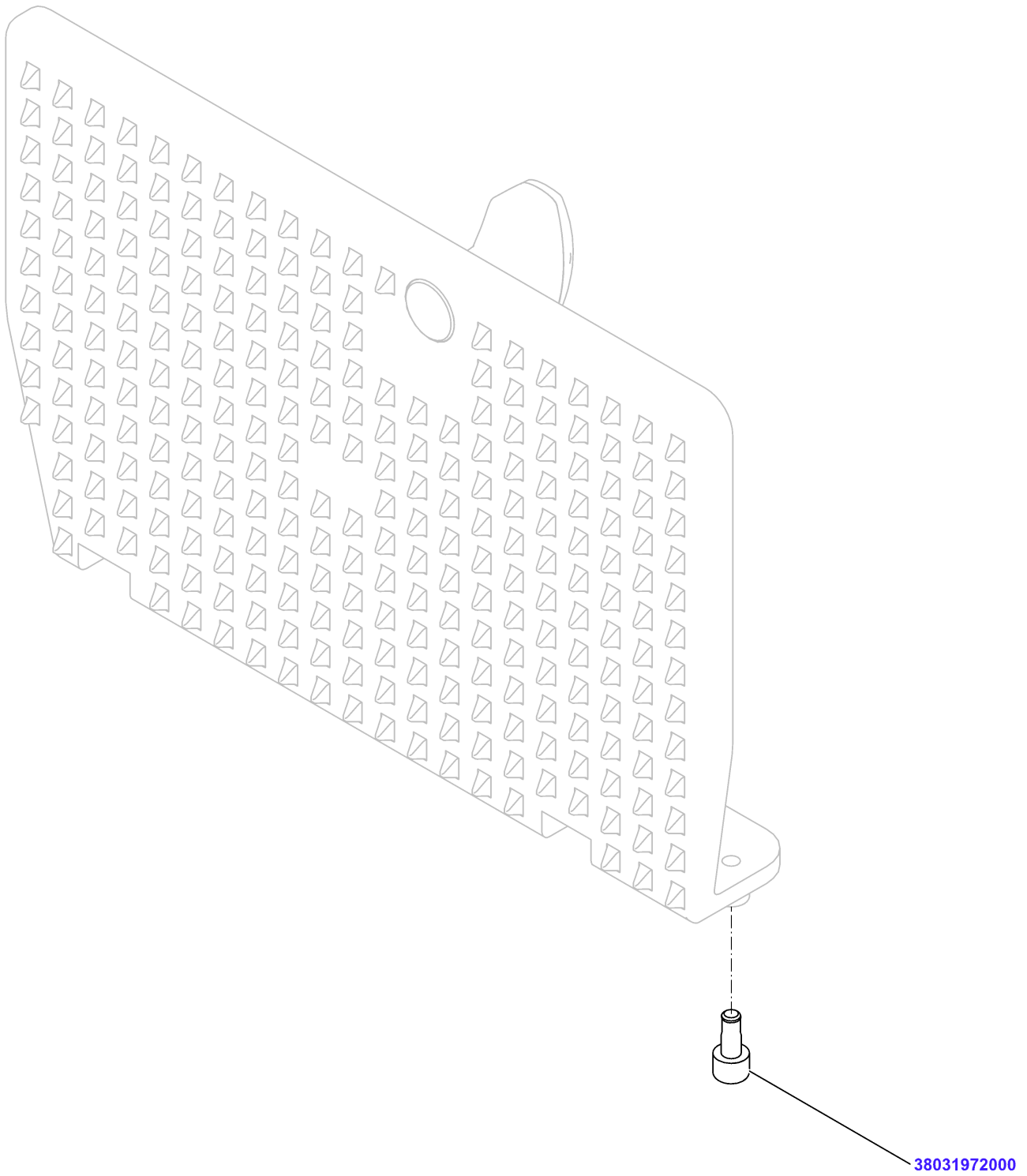
Material No. **Qty** **Material description**

60364301800 1 Support bolt long

available for order
Wear part
Recomm. sp. part
Metr. relevance



Remnant holder with peaks and bolt 6 mm



Remnant holder with peaks and bolt 6 mm

Material No. **Qty** **Material description**

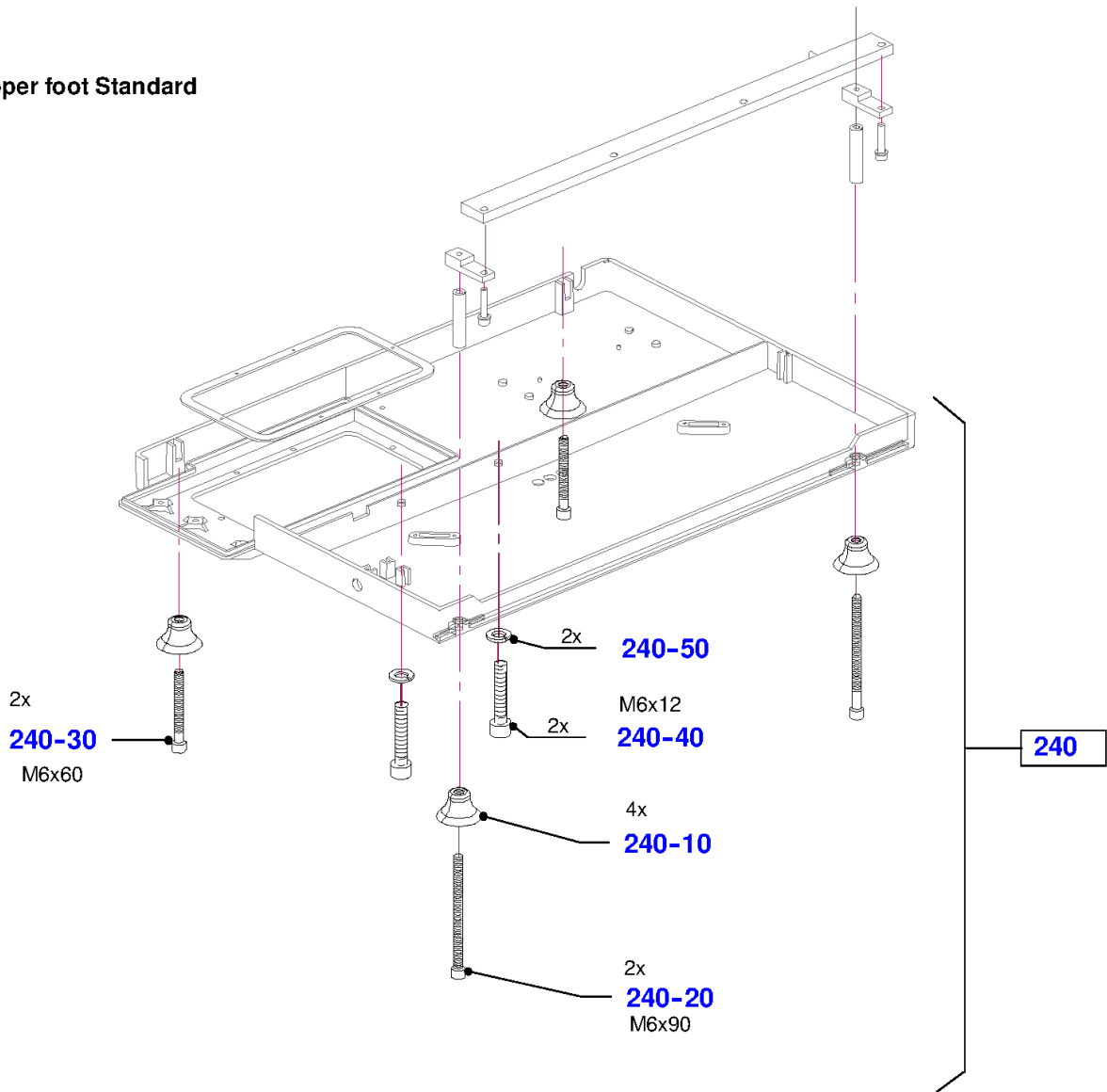
38031972000 1 supporting pin

available for order
Wear part
Recomm. sp. part
Metr. relevance

Ease of cleaning/installation

Rupper foot Standard

Rupper foot Standard



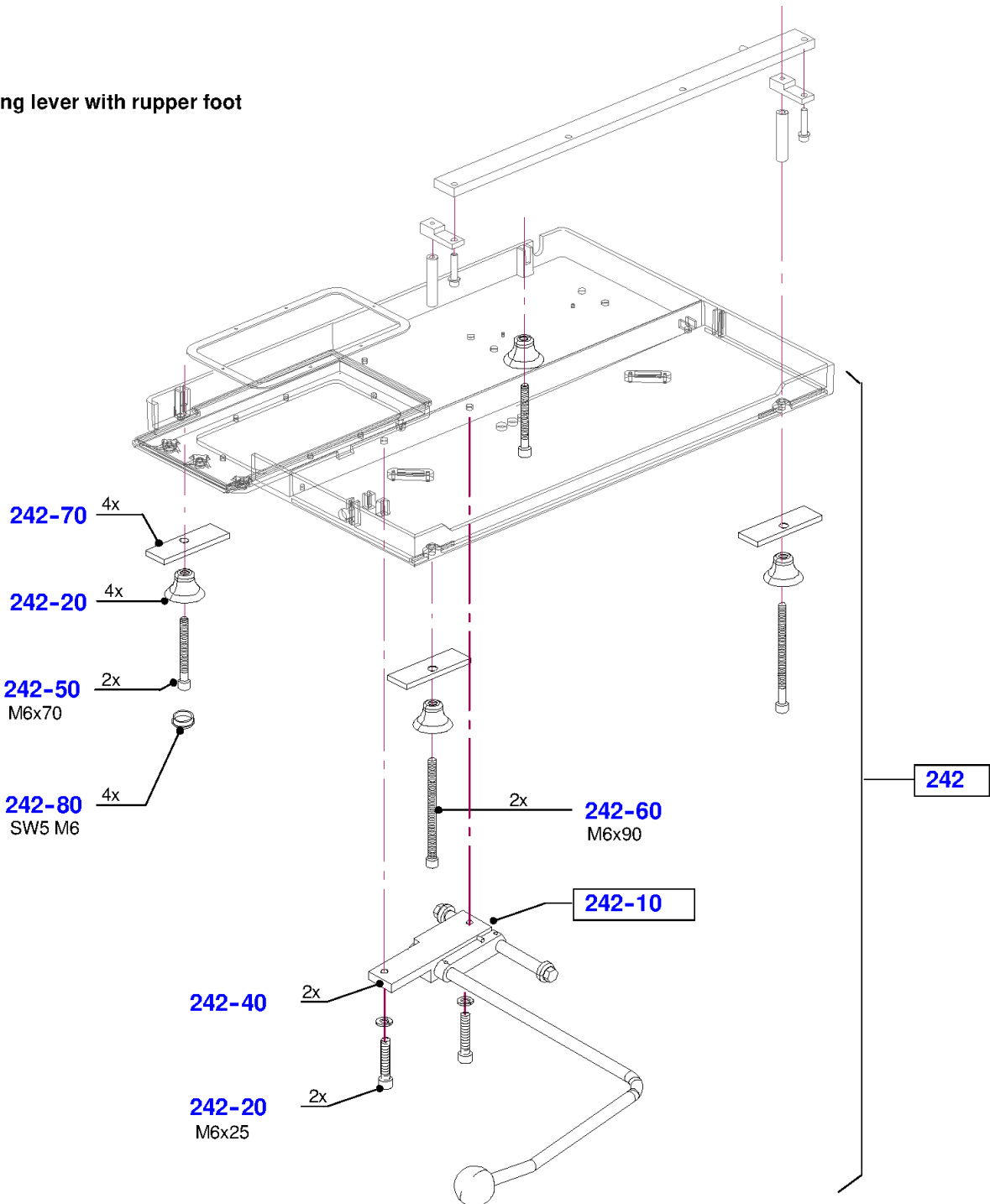
Ease of cleaning/installation

Item	Material No.	Qty	Material description	available for order	Wear part	Recomm. sp. part	Metr. relevance
240	60388024100	001	RUBBERFEET STANDARD	✓			
240-10	60610000400	004	rubber foot	✓		✓	
240-20	57743530000	002	Cylinder screw DIN912 M6x90-A2-70	✓			
240-30	57743510000	002	Socket Head Screw DIN 912-M6x60-A2-70	✓			
240-40	56806650000	002	Oval-head screw DIN7985 M6x12-A2-70	✓			
240-50	56739060000	002	Washer DIN125-A-6-A2	✓			

Ease of cleaning/installation

Lifting lever with rupper foot

Lifting lever with rupper foot



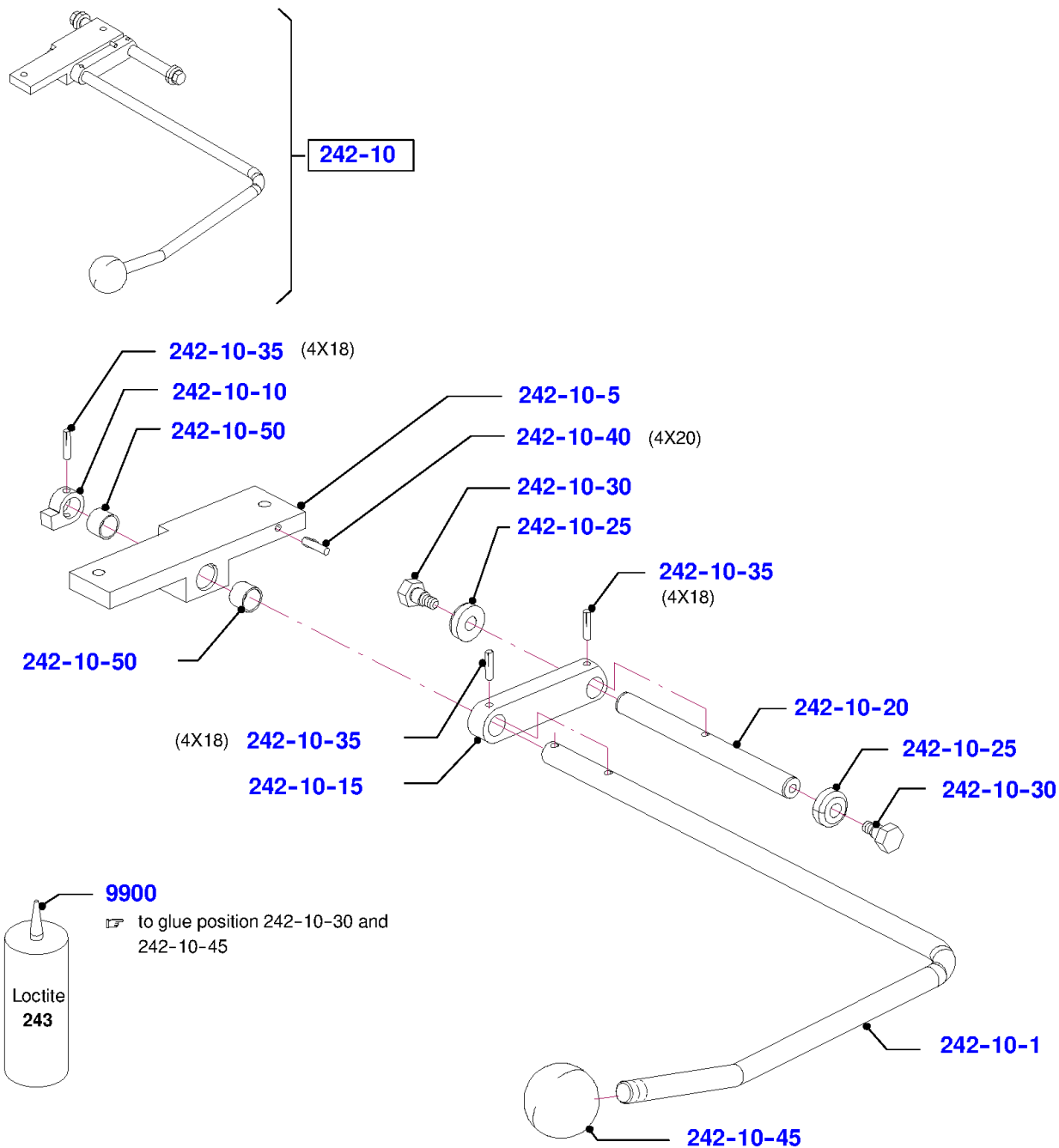
Ease of cleaning/installation

Item	Material No.	Qty	Material description	available for order	Wear part	Recomm. sp. part	Metr. relevance
242	60388024300	001	LIFTING LEVER WITH RUBBERFEET BRAZIL	✓			
242-10	60374000800	001	LIFTING DEVICE PRE- ASSEMBLED	✓			
242-20	60610000400	004	rubber foot	✓		✓	
242-40	57767060000	002	Spring lock washer DIN128-A6-FSt	✓			
242-50	57743520000	002	Cylinder screw DIN912 M6x70-A2-70	✓			
242-60	57743530000	002	Cylinder screw DIN912 M6x90-A2-70	✓			
242-70	60380303600	004	SHIM	✓			
242-80	57744870000	004	Protective plug 10x5,2x3,1-PE	✓		✓	

Ease of cleaning/installation

Lifting lever, preassembled

Lifting lever, preassembled

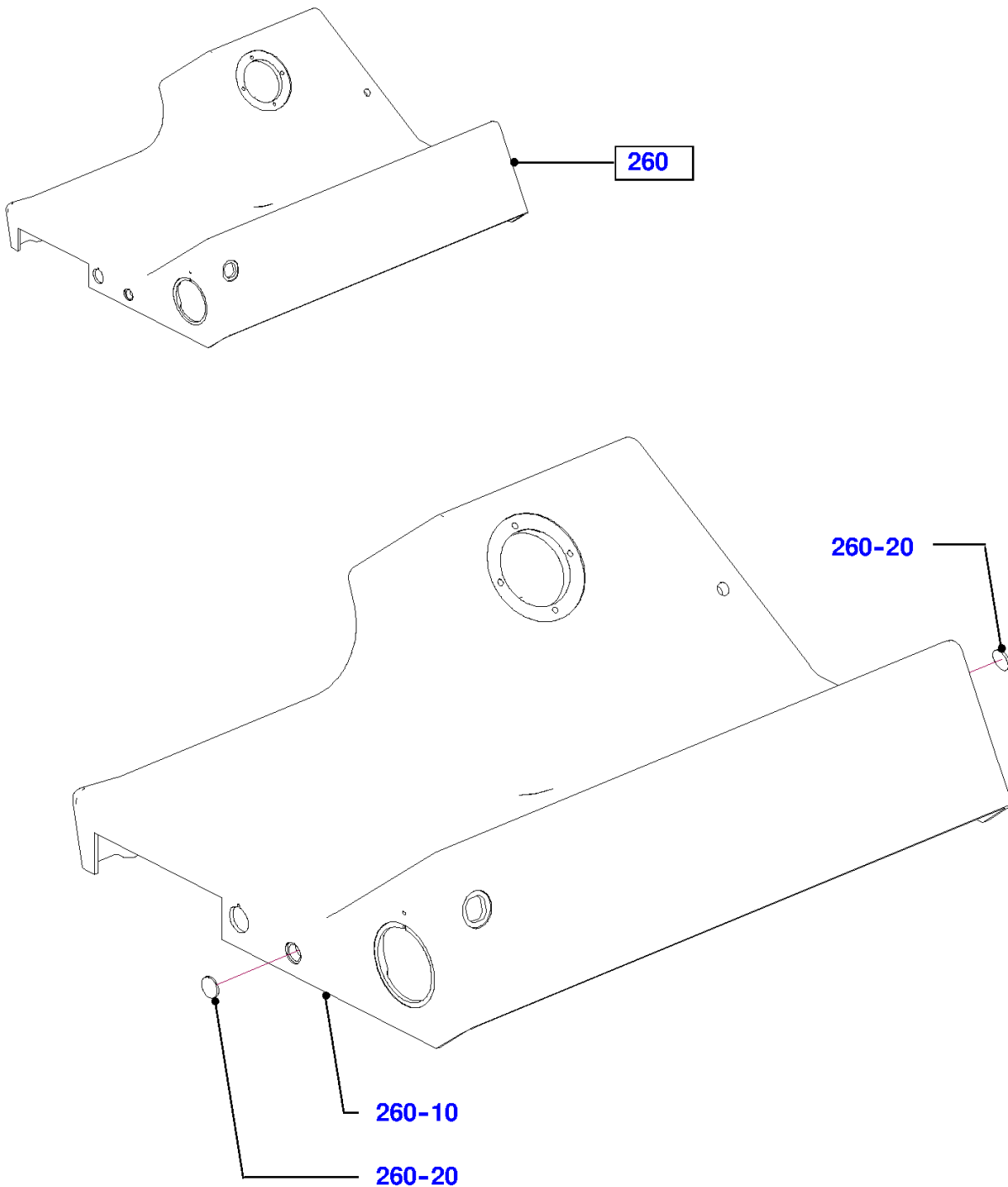


Ease of cleaning/installation

Item	Material No.	Qty	Material description	available for order	Wear part	Recomm. sp. part	Metr. relevance
242-10	60374000800	001	LIFTING DEVICE PRE- ASSEMBLED	✓			
242-10-1	60374000500	001	ARM DEU	✓			
242-10-5	60374000300	001	LIFT FOOT BLOCK	✓			
242-10-10	60374000200	001	LIFTING DEVICE STOPPER	✓			
242-10-15	60374000100	001	LIFT FOOT	✓			
242-10-20	60374000600	001	SHAFT	✓			
242-10-25	60224000400	002	ROLLER	✓			
242-10-30	60510100053	002	HEXAGON SETSCREW M 6X7X9	✓			
242-10-35	38036737000	002	GROOVED PIN SPECIAL 4X18	✓			
242-10-40	56359380000	001	GROOVED PIN DIN 1473- 4X20- A2	✓		✓	
242-10-45	56086280000	001	Ball knob DIN319 M12x40 I	✓			
242-10-50	38027530000	002	Plain bearing 12x14x15	✓			
9900	95972940000	001	LOCTITE 243 10ML	✓			

Machine housing - Standard, BR

Machine housing Standard or BR (Brazil)

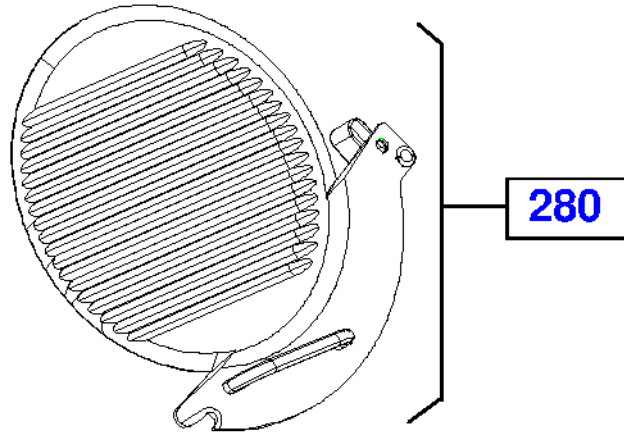


Machine housing - Standard, BR

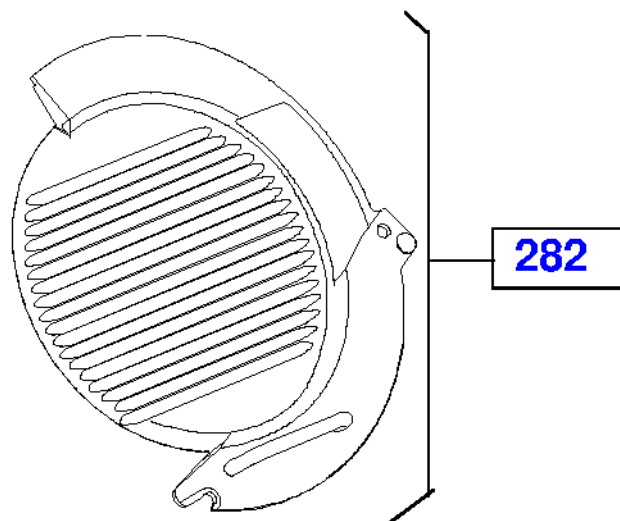
Item	Material No.	Qty	Material description	available for order	Wear part	Recomm. sp. part	Metr. relevance
260	60388026100	001	MACHINE HOUSING RAISED LIP CPL.				
260	60388026200	001	MACHINE HOUSING RAISED LIP C CPL.				
260	60388026301	001	MACHINE HOUSING RAISED LIP CPL. BR				
260-10	60381600101	001	MACHINE HOUSING RAISED LIP				
260-10	60381690101	001	MACHINE HOUSING RAISED LIP C				
260-10	60380340102	001	MACHINE HOUSING RAISED LIP BR				
260-20	56777181000	002	Sealing washer DIN470 18-AI				
260-20	38017693000	002	Verschluss Scheibe C Nachfolg 56777181000				

Blade cover

Blade cover (open) compl.



Blade cover (closed) compl.



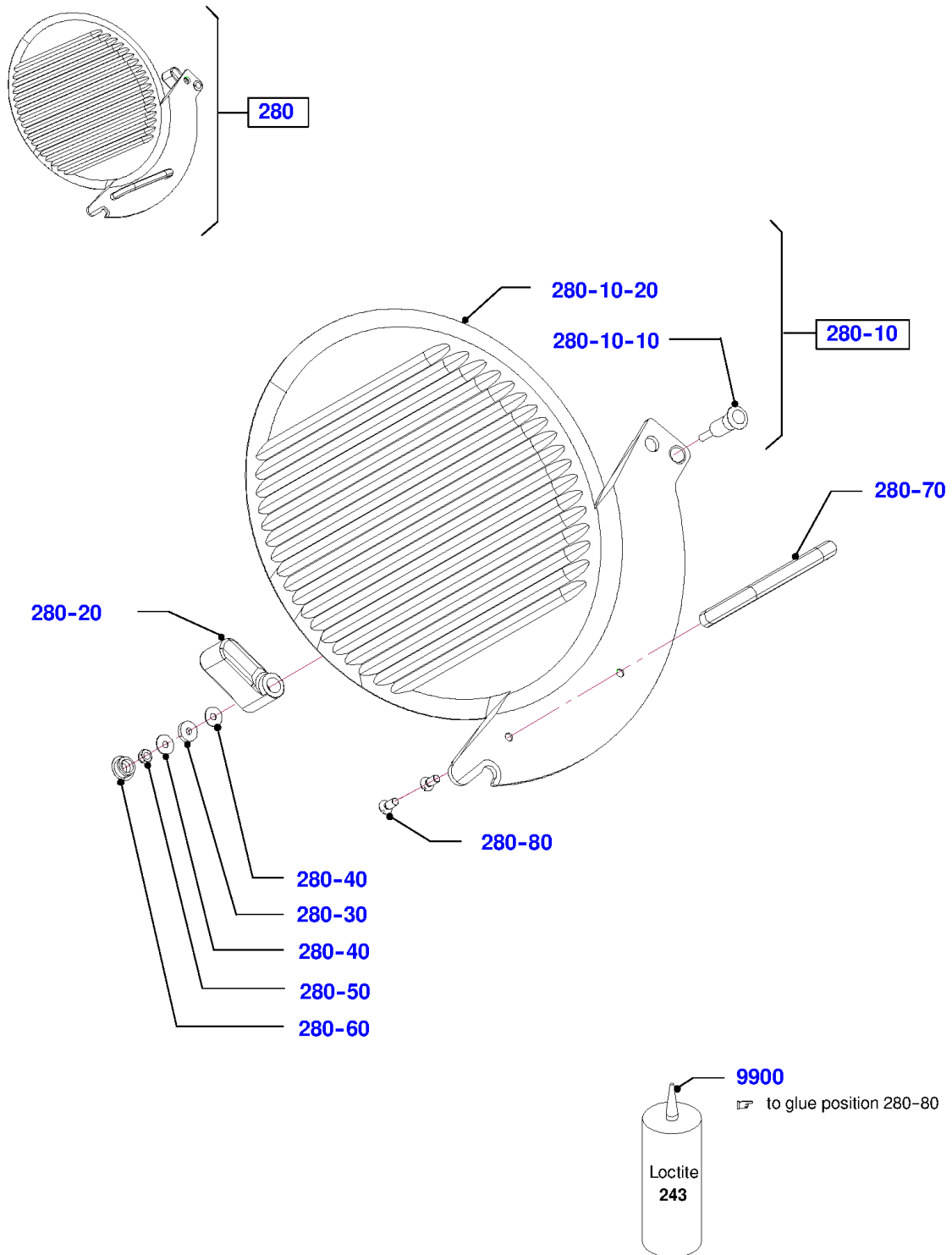
Blade cover

Item	Material No.	Qty	Material description	available for order	Wear part	Recomm. sp. part	Metr. relevance
280	38010280000	001	BLADE COVER CPL.	✓			
280	38016193000	001	BLADE COVER CPL C	✓			
282	38030942001	001	BLADE COVER CLOSED COMPL.	✓			
282	38034057001	001	BLADE COVER CLOSED COMPL. C	✓			

Blade cover

Blade cover (open) compl.

Blade cover (open) compl.



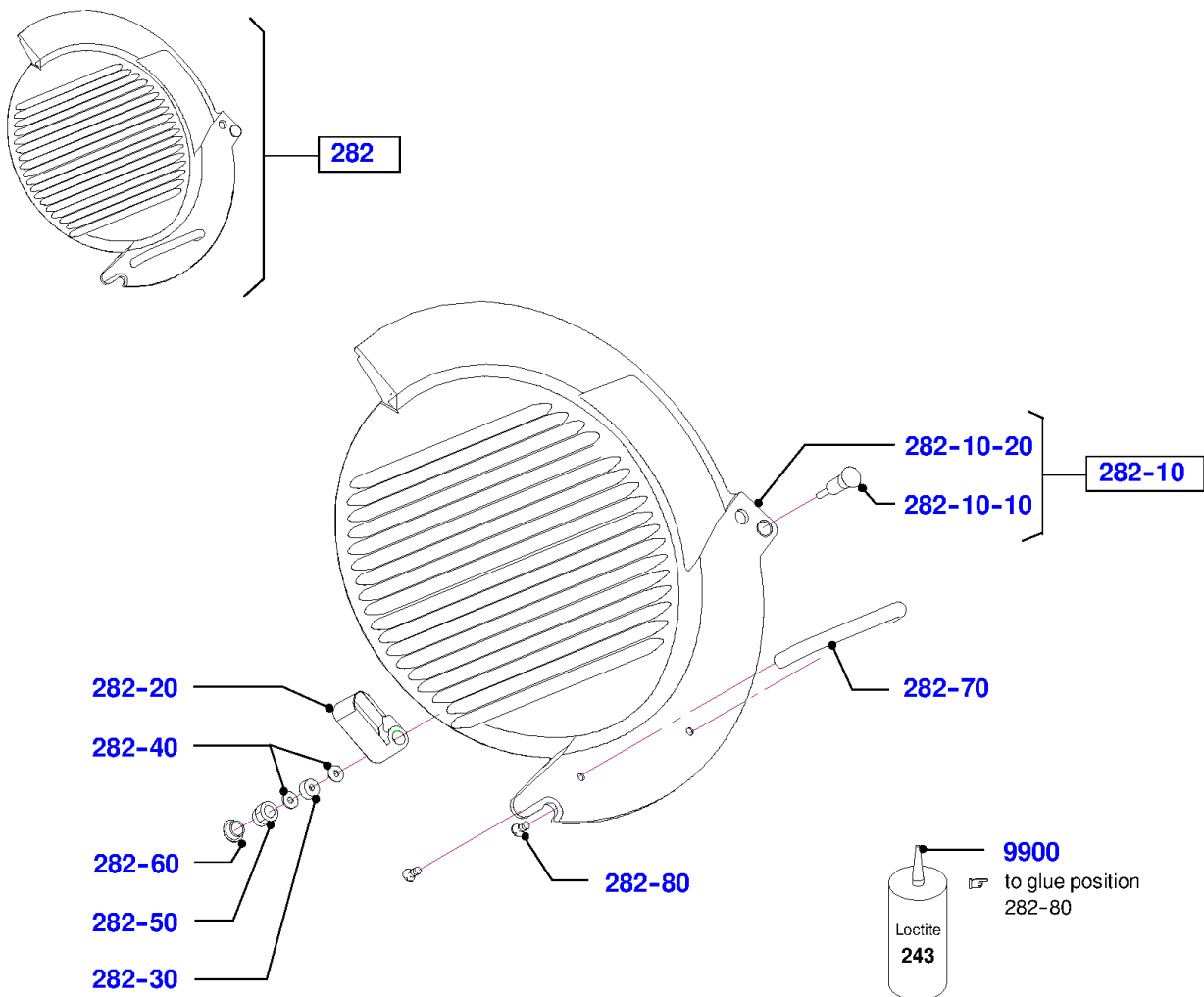
Blade cover

Item	Material No.	Qty	Material description	available for order	Wear part	Recomm. sp. part	Metr. relevance
280	38010280000	001	BLADE COVER CPL.	✓			
280	38016193000	001	BLADE COVER CPL C	✓			
280-10		001	BLADE COVER PREASS.				
280-10		001	BLADE COVER PREASS. C				
280-10-10	38008349001	001	BOLT LONG	✓			
280-10-20	38007455000	001	BLADE COVER	✓			
280-10-20	38016161000	001	BLADE COVER C	✓			
280-20	38007856002	001	Latch 17x50,5x30,4	✓			
280-30	38007880000	001	washer	✓			
280-40	38007882000	002	thrust washer	✓			
280-50	56400890000	001	Locknut DIN 985-M4-A2-70 56400890000	✓			
280-60	40220000201	001	PROTECTIVE PLUG 12.2 KNURLED	✓		✓	
280-70	60800108400	001	BRACKET HANDLE 100XM5	✓			
280-70	60800198400	001	Bracket handle C 100 x 32 x 10	✓			
280-80	57630530000	002	Countersunk Screw DIN963 M5x12-A2-70	✓			
9900	95972940000	001	LOCTITE 243 10ML	✓			

Blade cover

Blade cover (closed) compl.

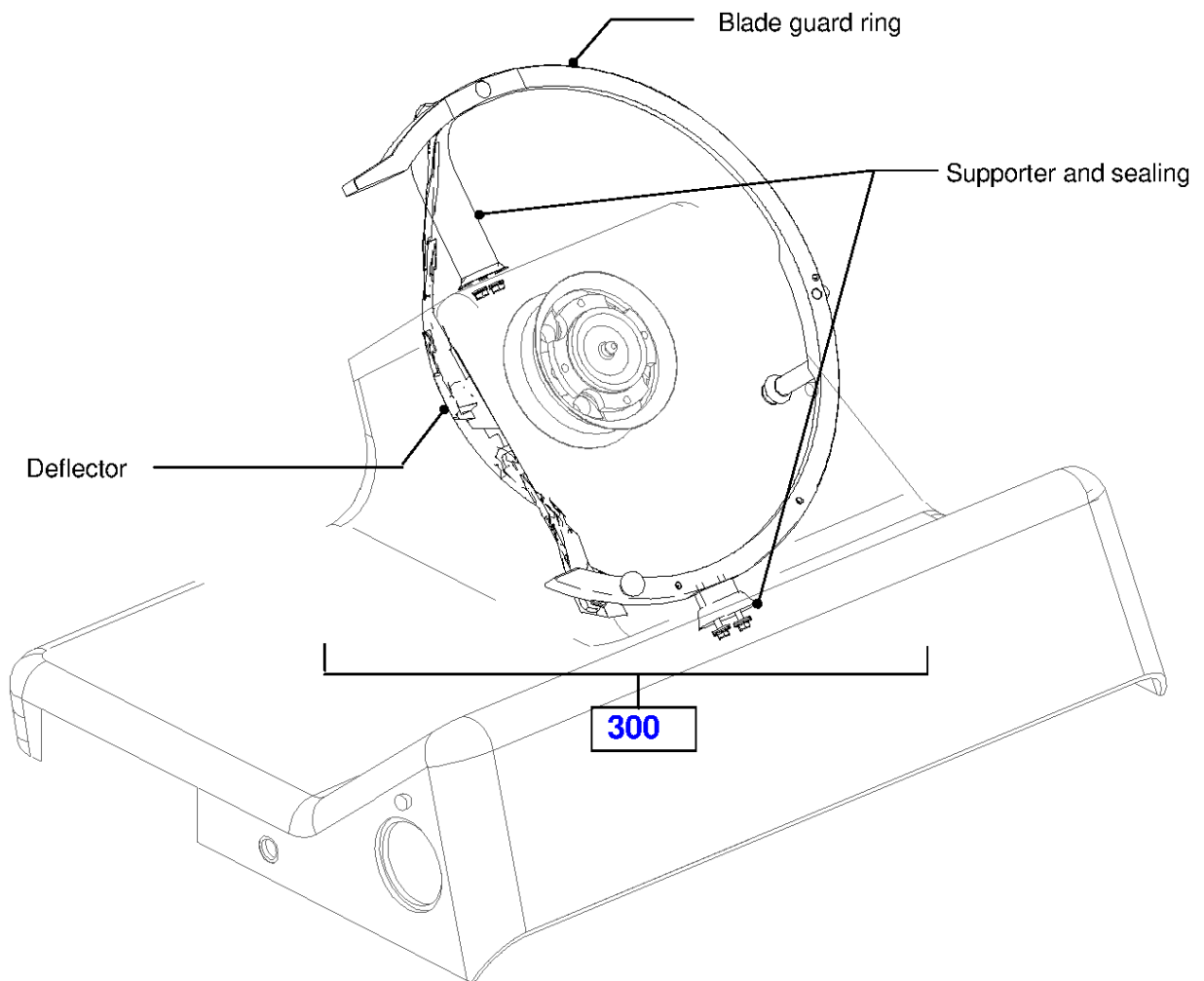
Blade cover (closed) compl.



Blade cover

Item	Material No.	Qty	Material description	available for order	Wear part	Recomm. sp. part	Metr. relevance
282	38030942001	001	BLADE COVER CLOSED COMPL.	✓			
282	38034057001	001	BLADE COVER CLOSED COMPL. C	✓			
282-10	38030938001	001	BLADE COVER CLOSED PREASS.	✓			
282-10	38034058001	001	BLADE COVER CLOSED PREASS. C	✓			
282-10-10	38008349001	001	BOLT LONG	✓			
282-10-20	38010541001	001	BLADE COVER CLOSED	✓			
282-10-20	38034060001	001	BLADE COVER CLOSED C	✓			
282-20	38007856002	001	Latch 17x50,5x30,4	✓			
282-30	38007880000	001	washer	✓			
282-40	38007882000	002	thrust washer	✓			
282-50	56400890000	001	Locknut DIN 985-M4-A2-70 56400890000	✓			
282-60	40220000201	001	PROTECTIVE PLUG 12.2 KNURLED	✓		✓	
282-70	60800108400	001	BRACKET HANDLE 100XM5	✓			
282-70	60800198400	001	Bracket handle C 100 x 32 x 10	✓			
282-80	57630530000	002	Countersunk Screw DIN963 M5x12-A2-70	✓			
9900	95972940000	001	LOCTITE 243 10ML	✓			

Blade guard ring and deflector



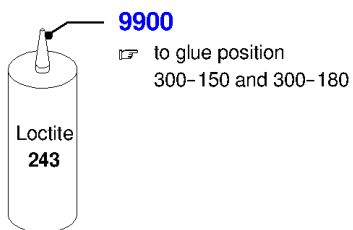
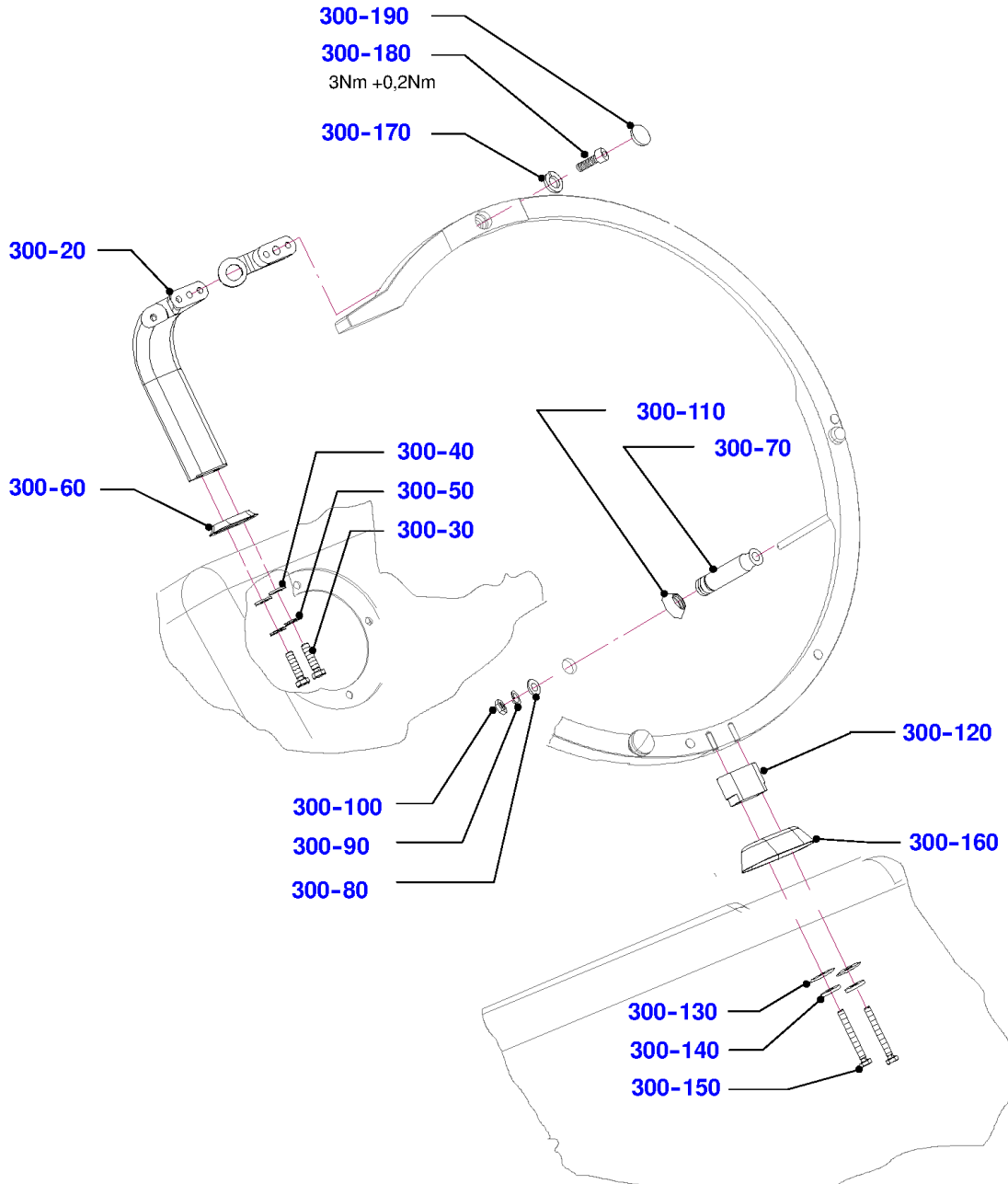
Blade guard ring and deflector

Item	Material No.	Qty	Material description	available for order	Wear part	Recomm. sp. part	Metr. relevance
300	60388030100	001	BLADE GUARD RING AL 33- 18L/25L				
300	60388030200	001	BLADE GUARD RING AL 33- 18L/25L C				
300	60388030300	001	BLADE GUARD RING AL 33- 18H/25H				
300	60388030400	001	BLADE GUARD RING AL 33- 18H/25H C				

Blade guard ring and deflector

Support for blade guard ring

Support for blade guard ring



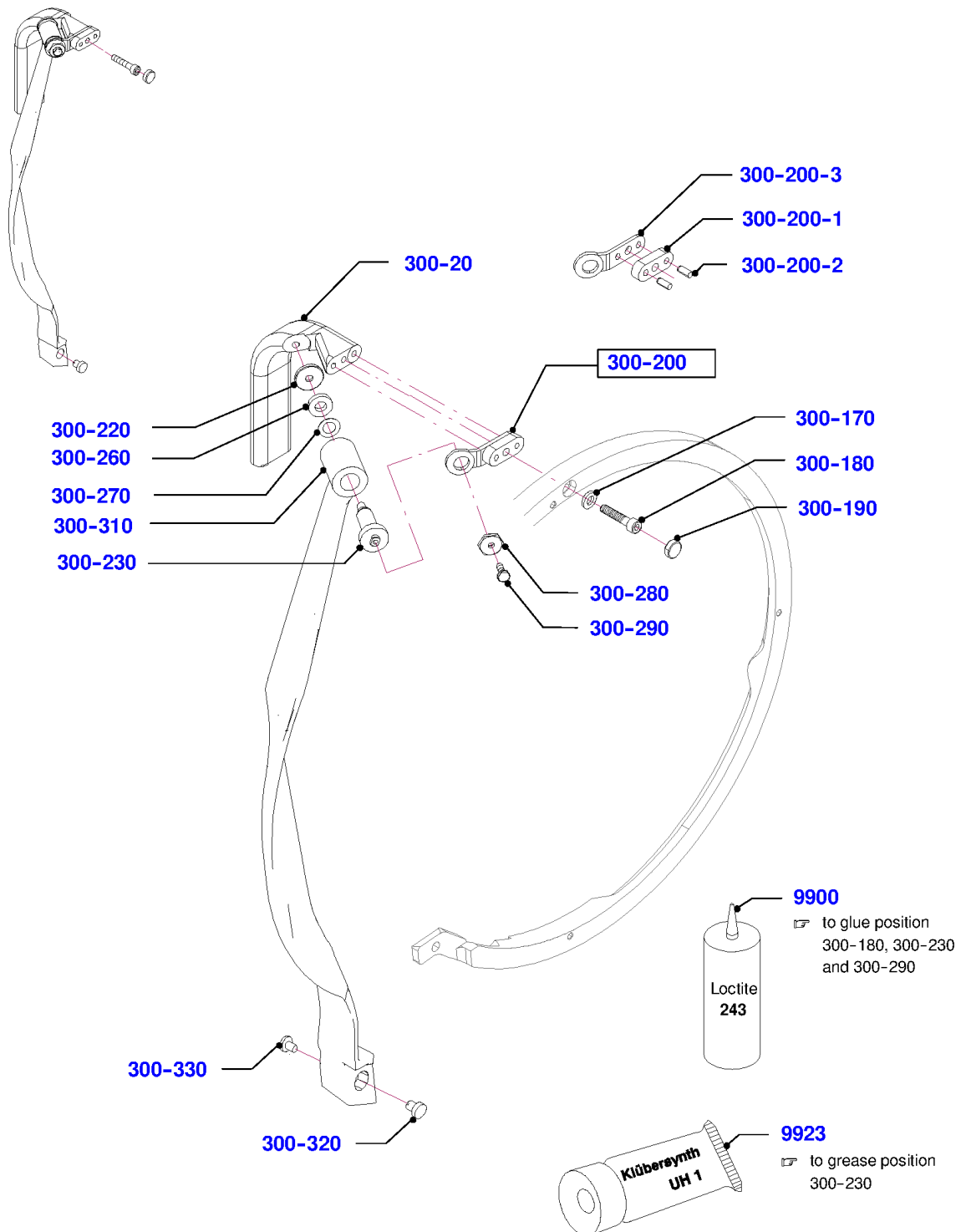
Blade guard ring and deflector

Item	Material No.	Qty	Material description	available for order	Wear part	Recomm. sp. part	Metr. relevance
300-20	60380107802	001	Supporter	✓			
300-20	60380197800	001	Supporter C	✓			
300-30	57345200000	002	Hexagon screw DIN933 M5x20 8.8	✓			
300-40	56739050000	002	Washer DIN 125-A 5_3 -A2-70 56739050000	✓			
300-50	57758500000	002	Toothed washer DIN6797-A 5,3-Fst	✓			
300-60	60370103211	001	sealing	✓			
300-70	60370104700	001	SPACER SLEEVE LONG	✓			
300-70	60370194700	001	SPACER SLEEVE LONG C	✓			
300-80	56765050000	001	Washer DIN 9021-5_3-A2-70 56765050000	✓			
300-90	57767040000	001	Spring lock washer DIN128-A4-FSt	✓			
300-100	56456400000	001	Hexagon nut DIN934-M4-A2	✓			
300-110	60370104911	001	Sealing	✓		✓	
300-120	38012040000	001	SUPPORT BOTTOM	✓			
300-120	38017819000	001	SUPPORT BOTTOM C	✓			
300-130	56765040000	004	Washer DIN9021-4-A2	✓			
300-140	57767040000	002	Spring lock washer DIN128-A4-FSt	✓			
300-150	57429350000	002	Hexagon Screw DIN 933-M4x35-A2-70	✓			
300-160	60810107611	001	Sealing	✓		✓	
300-170	57767050000	001	Spring lock washer DIN128-A5-FSt	✓			
300-180	57743290000	001	Cylinder screw DIN912 M5x25-A2-70	✓			
300-190	38034566000	001	closing plug	✓			
9900	95972940000	001	LOCTITE 243 10ML	✓			

Blade guard ring and deflector

Deflector, spacer and supporter

Deflector, spacer and supporter



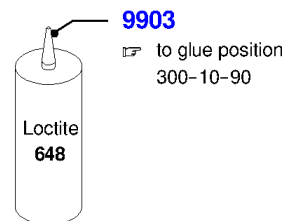
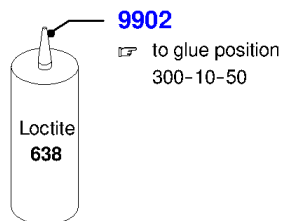
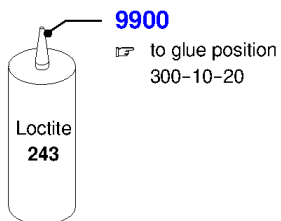
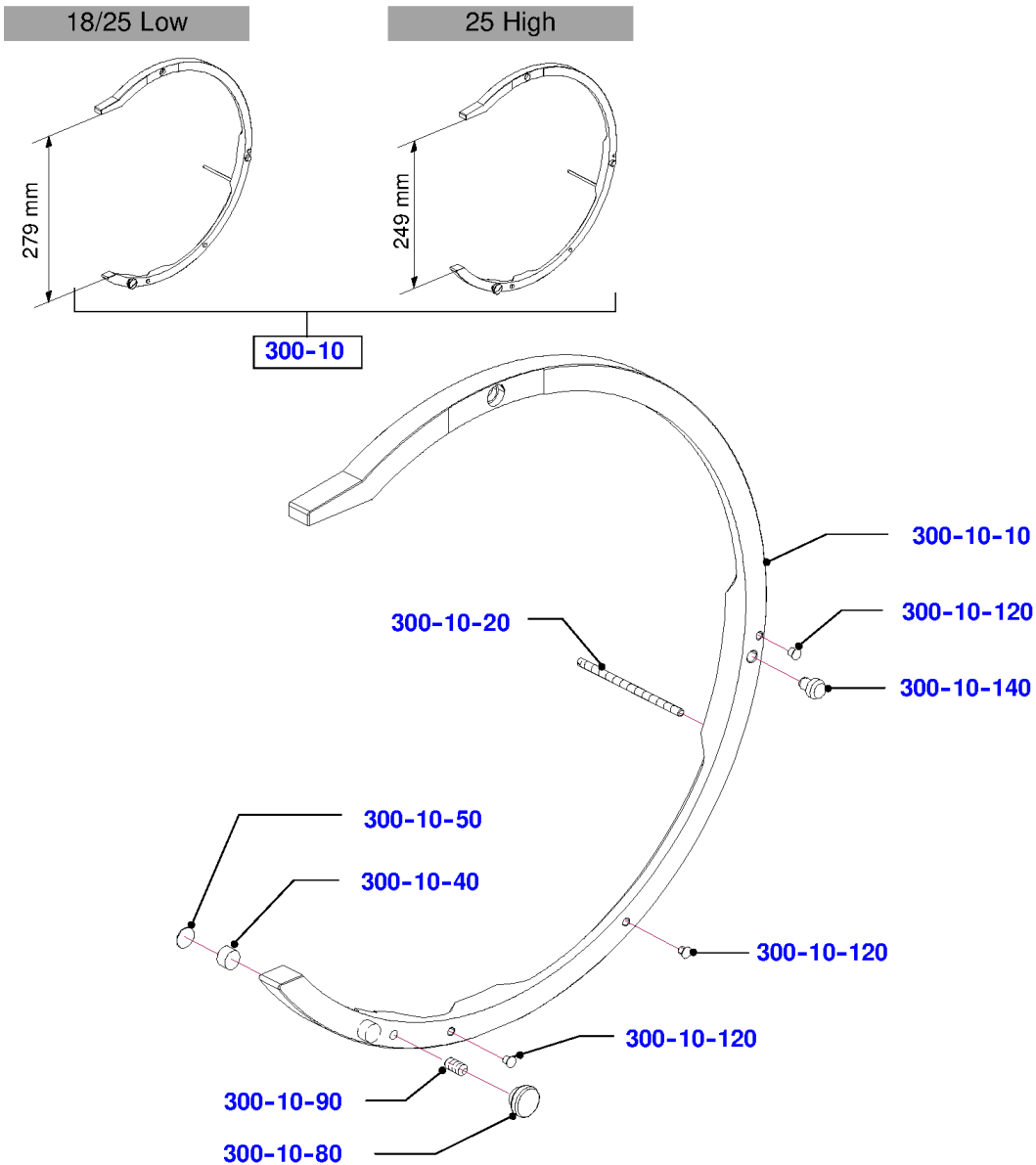
Blade guard ring and deflector

Item	Material No.	Qty	Material description	available for order	Wear part	Recomm. sp. part	Metr. relevance
300-20	60380107802	001	Supporter	✓			
300-20	60380197800	001	Supporter C	✓			
300-170	57767050000	001	Spring lock washer DIN128-A5-FSt	✓			
300-180	57743290000	001	Cylinder screw DIN912 M5x25-A2-70	✓			
300-190	38034566000	001	closing plug	✓			
300-200	60380108301	001	Spacer preassembled	✓			
300-200	60380198301	001	Spacer preassembled C	✓			
300-200-1	60380108402	001	Spacer	✓			
300-200-1	60380198401	001	Adapter C	✓			
300-200-2	56359360000	002	Grooved Pin DIN 1473-4x10-A2	✓			
300-200-3	60380108502	001	Support bracket	✓			
300-220	60380108600	001	Washer	✓			
300-230	60380107901	001	Bearing bolt	✓			
300-260	60223506500	001	brake pulley	✓			
300-270	60610300019	001	THRUST WASHER 13,8X8,2X0,18	✓			
300-280	60380108002	001	Excentric washer	✓			
300-290	60240503100	001	Hexagon screw DIN 933 M4x10-A2-70	✓			
300-310	60380107601	001	Deflector 330 plastic GSP Co BEKUMA	✓			
300-320	38028810000	001	adjusting bolt	✓			
300-330	50003040000	001	Protective plug 11x5x6-PE	✓		✓	
9900	95972940000	001	LOCTITE 243 10ML	✓			
9923	96055080000	001	Kluebersynth UH1 64-62/25kg	✓			

Blade guard ring and deflector

Blade guard ring

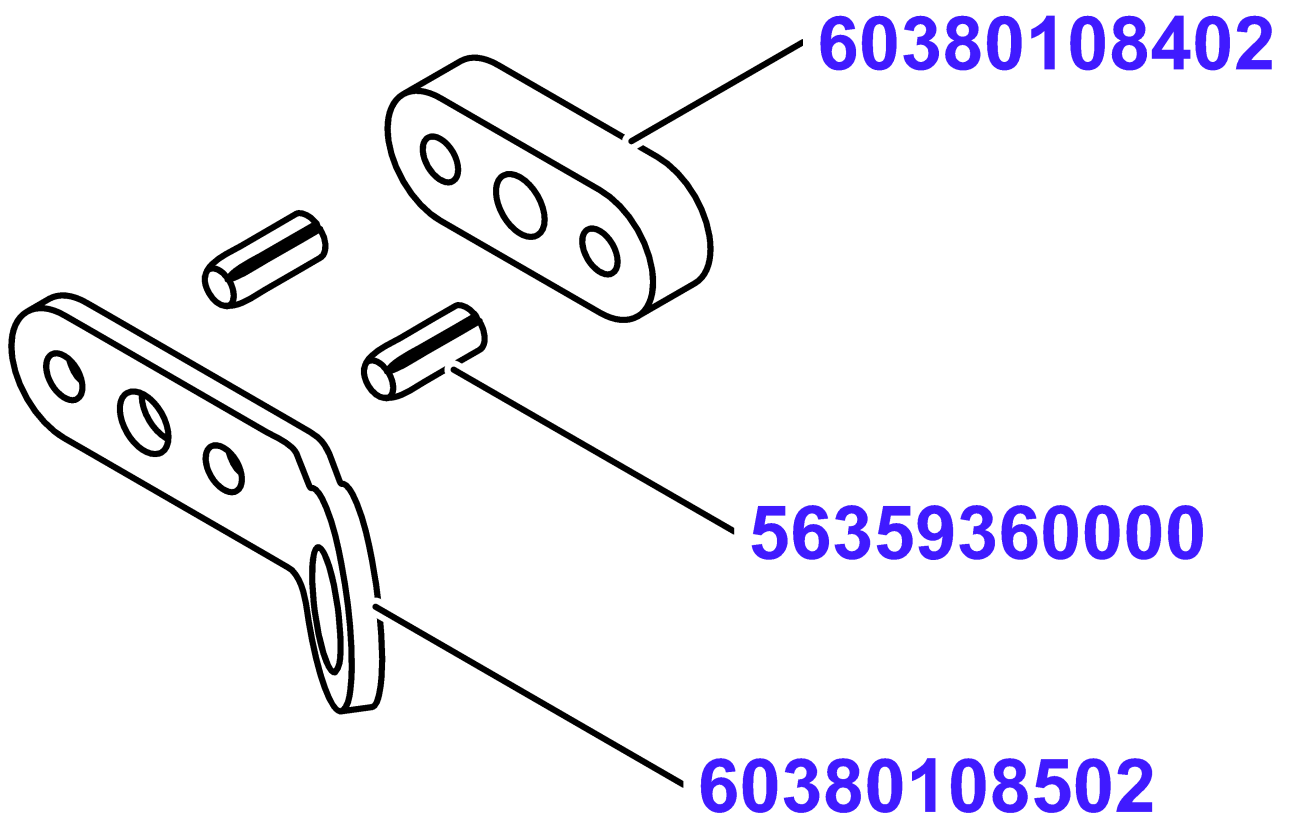
Blade guard ring






Blade guard ring and deflector

Item	Material No.	Qty	Material description	available for order	Wear part	Recomm. sp. part	Metr. relevance
300-10	60381180800	001	BLADE GUARD RING PREAS. 18/25L	✓			
300-10	60381190800	001	BLADE GUARD RING PREAS. 18/25L C	✓			
300-10	60381160800	001	BLADE GUARD RING PREAS. 25H	✓			
300-10	60381191800	001	BLADE GUARD RING PREAS. 25H C	✓			
300-10-10	60381190900	001	BLADE GUARD RING GSP HD C 18/25L	✓			
300-10-10	38011914000	001	BLADE GUARD RING GSPHD 25H	✓			
300-10-10	60381191900	001	BLADE GUARD RING GSPHD 25H C	✓			
300-10-10	60381180900	001	BLADE GUARD RING GSP HD 18L	✓			
300-10-20	56032750000	001	Set screw DIN551 M4x75-14H	✓			
300-10-40	50373961000	001	Disc magnet 10x6	✓			
300-10-50	60223506301	001	COVER	✓			
300-10-80	38019687000	001	Location bolt HD 16x10,9 K	✓			
300-10-90	56083980000	001	Set screw DIN916 M6x12-A2-70	✓			
300-10-120	60274601001	003	Bolt PA - 4,1x4,5	✓			
300-10-140	38007909000	001	FIXING BOLT	✓			
9900	95972940000	001	LOCTITE 243 10ML	✓			
9902	95973900000	010	LOCTITE 638 10ML 142619	✓			
9903	95972840000	001	LOCTITE 648 10M	✓			

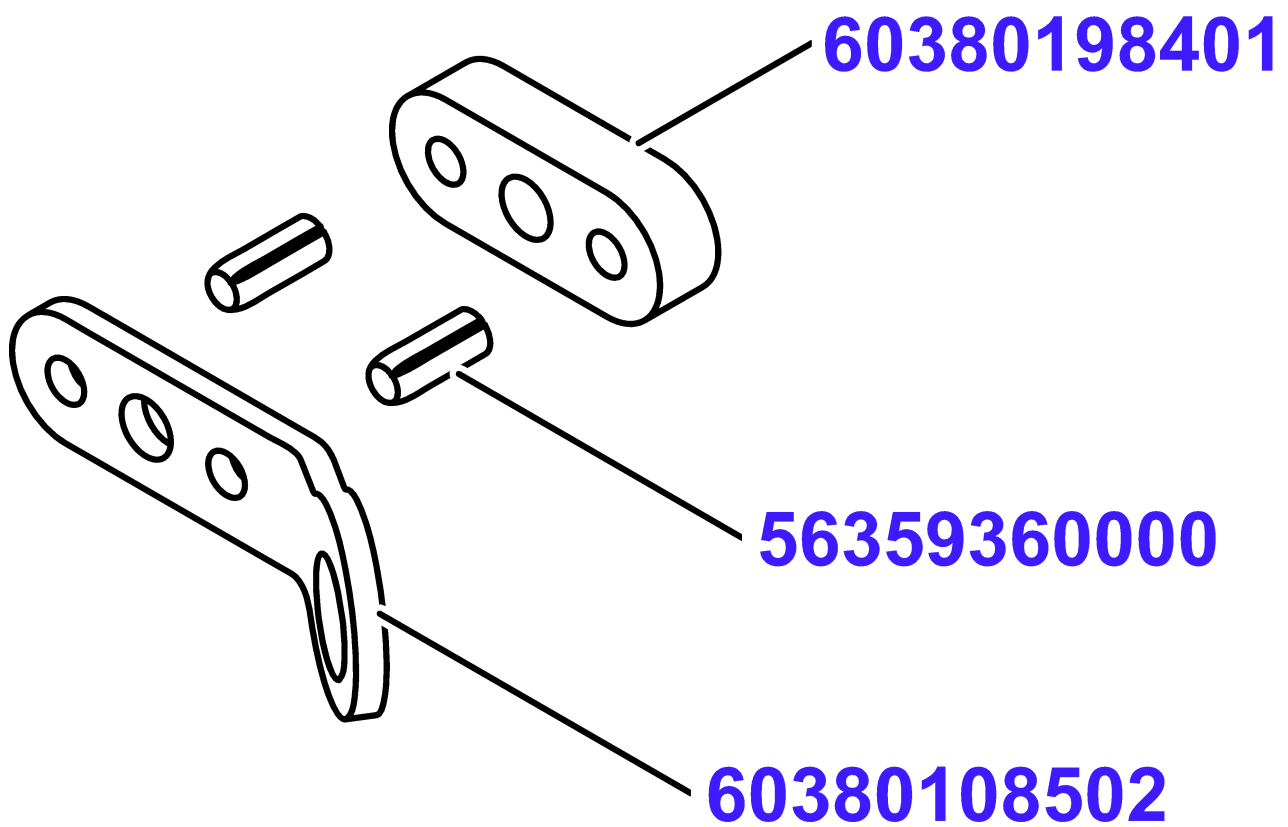
Spacer preassembled






Spacer preassembled

Material No.	Qty	Material description	available for order	Wear part	Recomm. sp. part	Metr. relevance
60380108402	1	Spacer				
56359360000	2	Grooved Pin DIN 1473-4x10-A2				
60380108502	1	Support bracket				

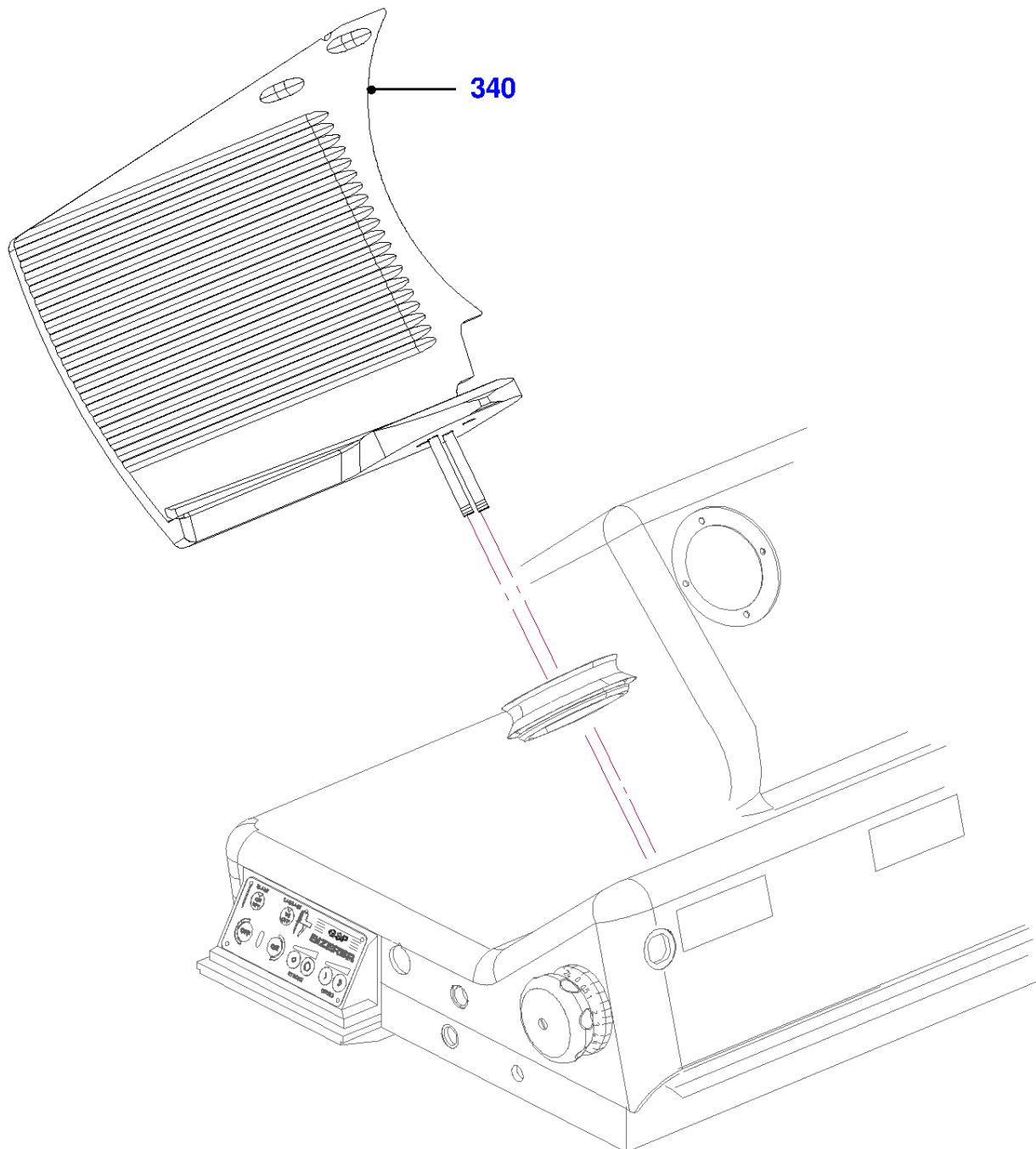
Spacer preassembled C



Spacer preassembled C

Material No.	Qty	Material description	available for order	Wear part	Recomm. sp. part	Metr. relevance
60380198401	1	Adapter C				
56359360000	2	Grooved Pin DIN 1473-4x10-A2				
60380108502	1	Support bracket				

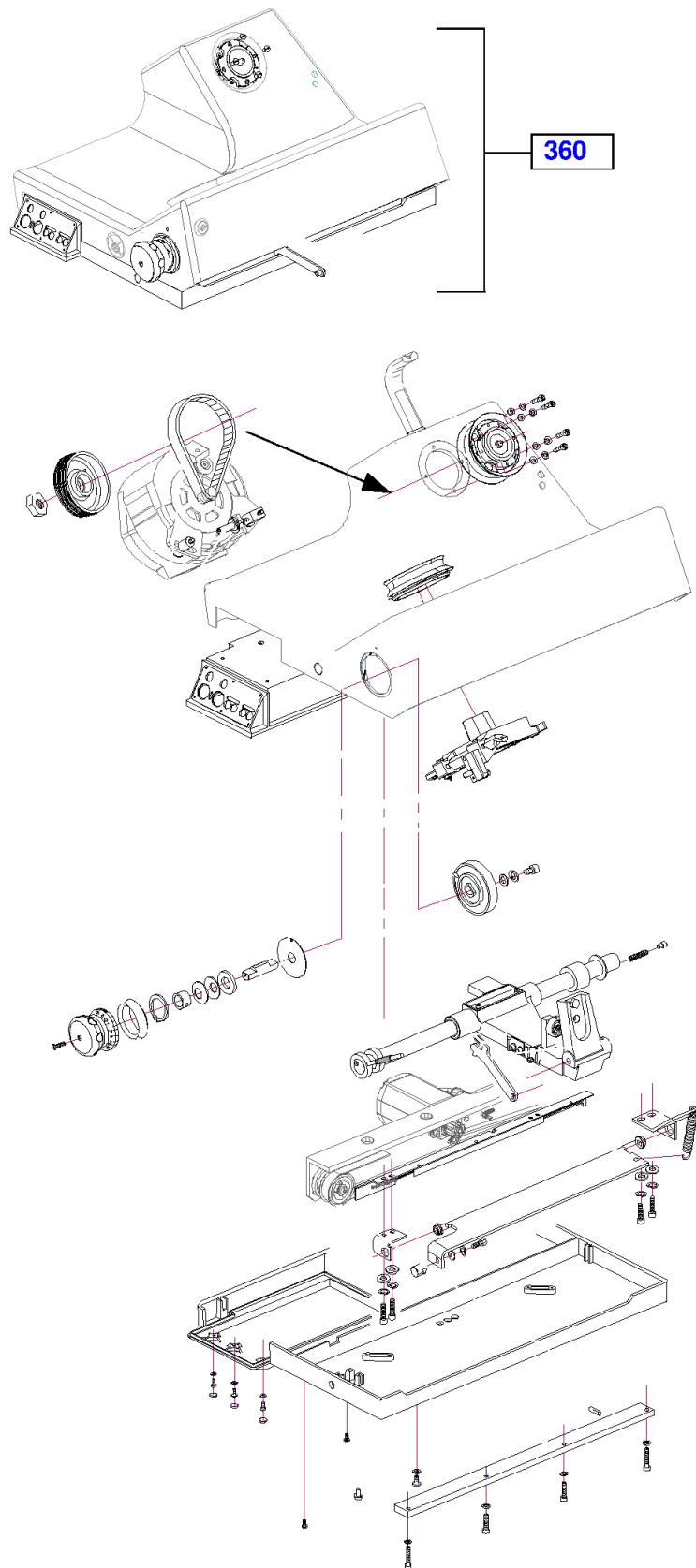
Gauge plate



Gauge plate

Item	Material No.	Qty	Material description	available for order	Wear part	Recomm. sp. part	Metr. relevance
340	60371626000	001	GAUGE PLATE PREASS. 18L/25L	✓			
340	60378034201	001	GAUGE PLATE PREASS. 18L/25L C	✓			
340	60371616000	001	GAUGE PLATE PREASS. 18H/25H	✓			
340	60378034401	001	GAUGE PLATE PREASS. 18H/25H C	✓			

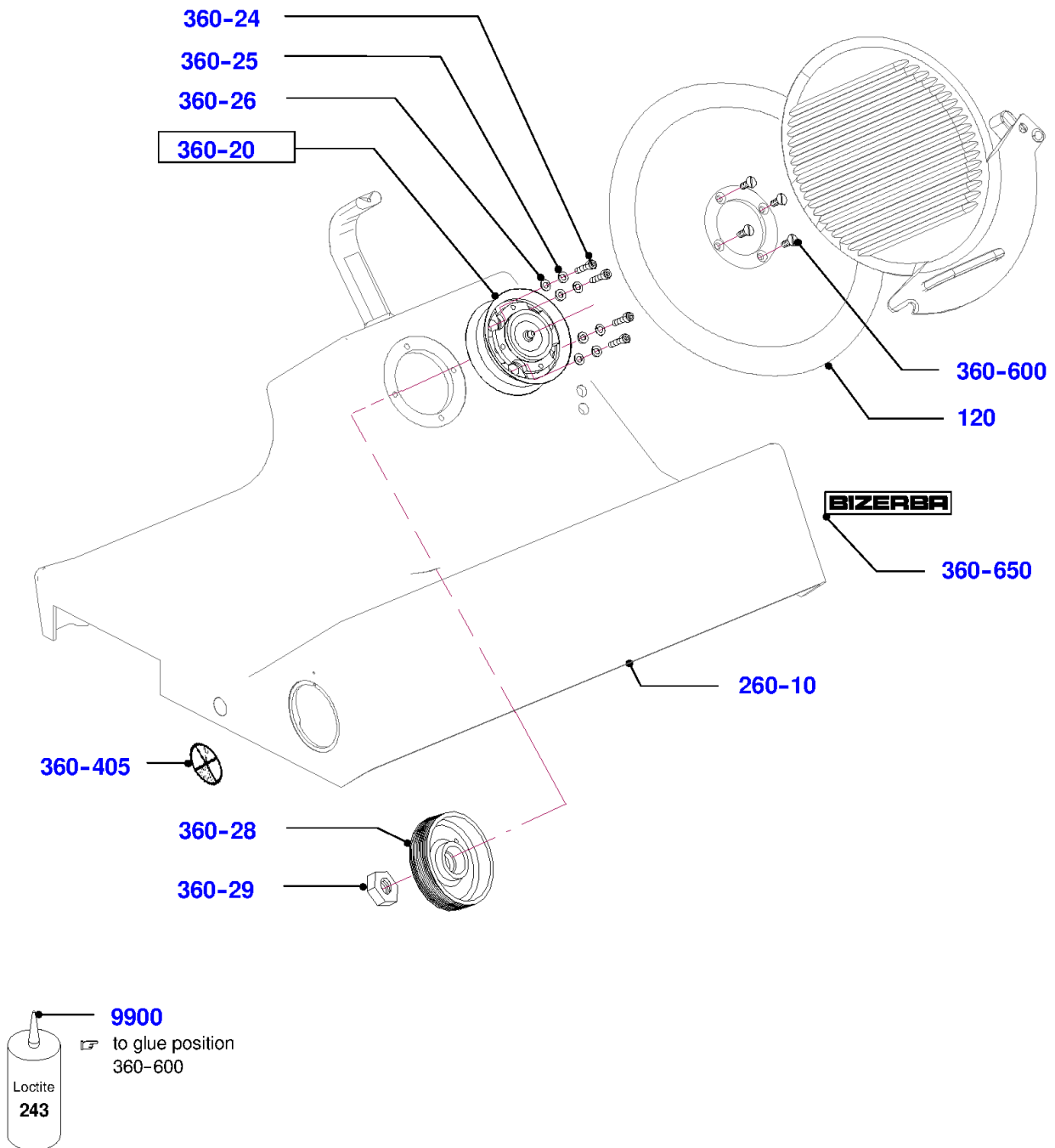
Assembly overview



Assembly overview

Item	Material No.	Qty	Material description	available for order	Wear part	Recomm. sp. part	Metr. relevance
360	60388036101	001	BASIC PART GSP HD STANDARD	✓			
360	60388036300	001	BASIC PART GSP HD ILLUMINATION	✓			

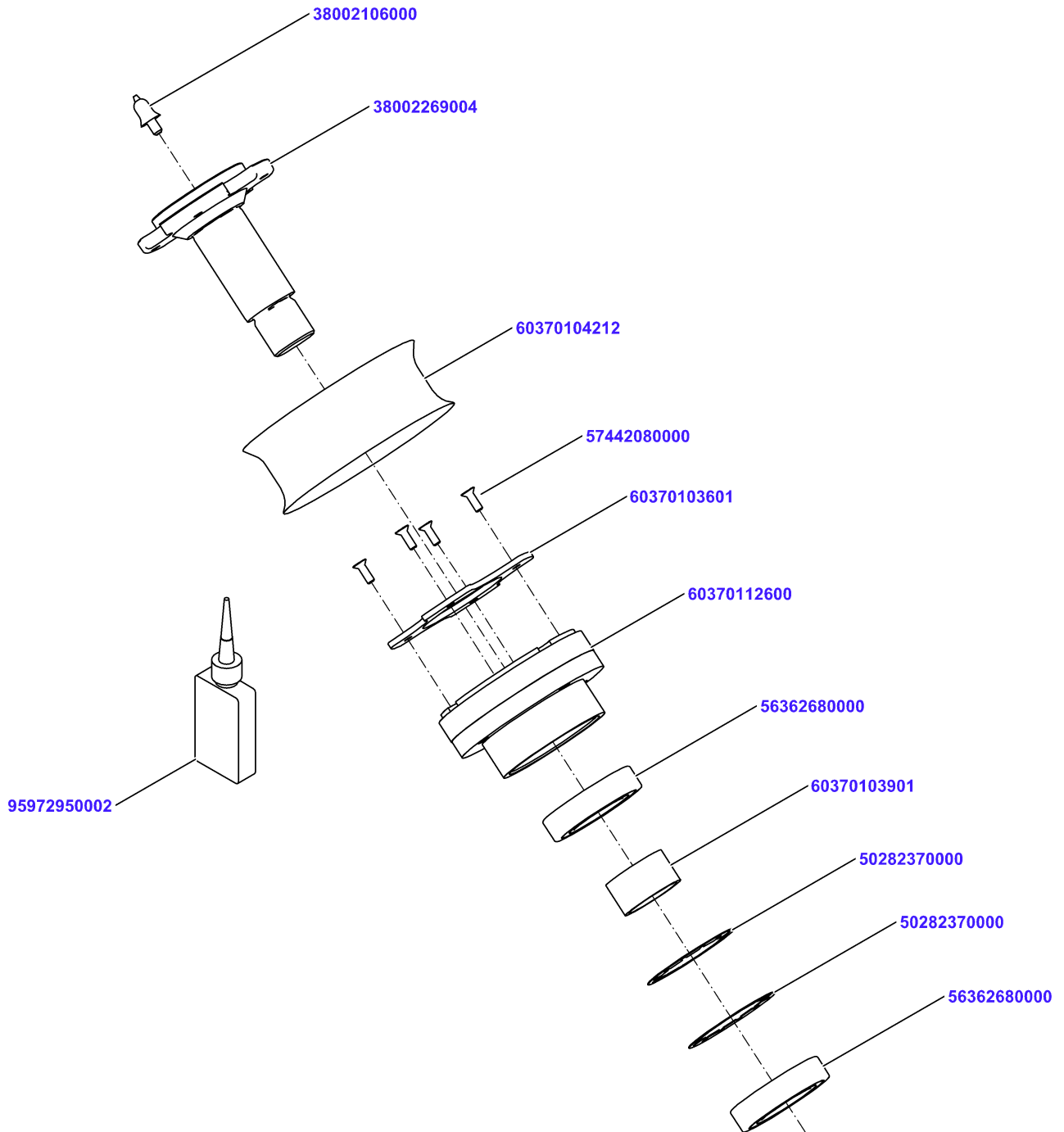
Machine housing, blade bearing preass., belt pulley and accessories













Machine housing, blade bearing preass., belt pulley and accessories

Item	Material No.	Qty	Material description	available for order	Wear part	Recomm. sp. part	Metr. relevance
120	38067777000	001	BLADE 330 C SLAYER - SERVICE	✓			
120	94001000017	001	BLADE CHEESE, VS8/SE8/VF330/A330 G+B.	✓	✓		
120	94001000013	001	BLADE, 4- HOLE, VS8/SE8/VF330/A330/A400 RA	✓	✓		
120	94001000059	001	Bread blade 330 C teathed Service	✓	✓		
260-10	60381600101	001	MACHINE HOUSING RAISED LIP	✓			
260-10	60381690101	001	MACHINE HOUSING RAISED LIP C	✓			
260-10	60380340102	001	MACHINE HOUSING RAISED LIP BR	✓			
360-20	38002647001	001	Blade bearing preass.	✓			
360-24	57743440000	004	Socket Head Screw DIN 912-M6x25-A2-70	✓			
360-25	57767060000	004	Spring lock washer DIN128-A6-FSt	✓			
360-26	56739060000	004	Washer DIN125-A-6-A2	✓			
360-28	60370104100	001	Belt pulley PolyV	✓			
360-29	60370104301	001	HEXAGONAL NUT	✓			
360-405	60544808100	001	REFERENCE PLATE "DO NOT CLEAN WITH HOSE"	✓			
360-600	57630620000	004	Countersunk screw DIN963 M6x12-A2-70	✓			
360-650	60800116900	002	Bizerba character font	✓			
9900	95972940000	001	LOCTITE 243 10ML	✓			

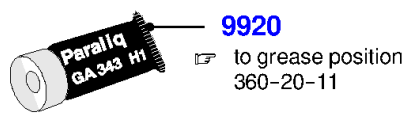
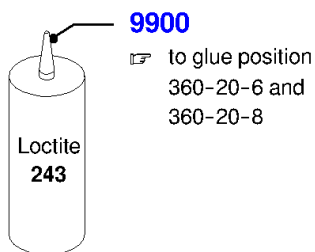
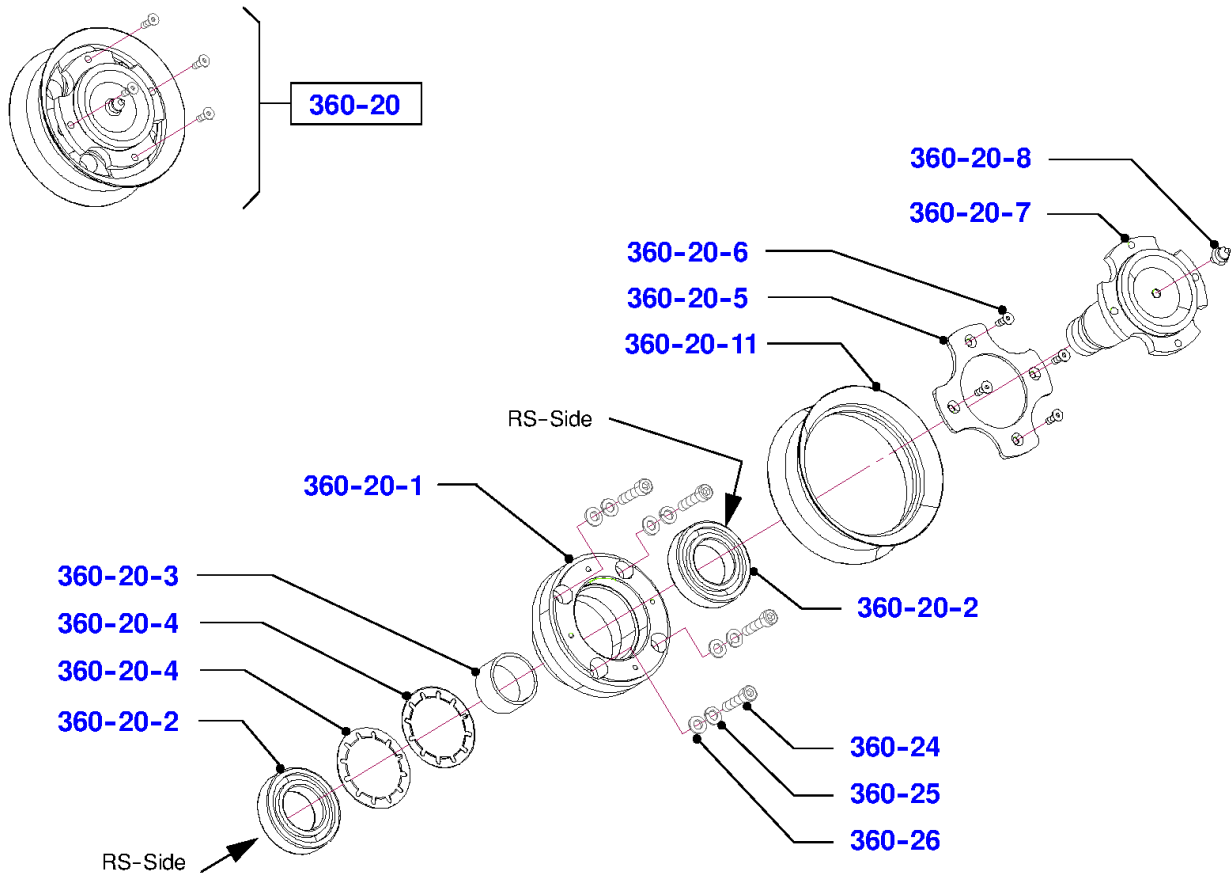
Blade bearing preass.



Blade bearing preass.

Material No.	Qty	Material description	available for order	Wear part	Recomm. sp. part	Metr. relevance
60370112600	1	Bearing bushing 90x46				
56362680000	2	Grooved ball bearing 30x55x13 6006-2NSE9				
60370103901	1	Spacer ring 19mm				
50282370000	2	Disc spring 54,5x40,5x0,45				
60370103601	1	retaining ring				
57442080000	4	Countersunk Screw DIN7991 M4x12-A2-70				
38002269004	1	Blade shaft				
38002106000	1	Shoring bolt				
95972950002	0,001	Loctite 243 50 ml 95972950002				
60370104212	1	Sealing ring blade 108x84x40				

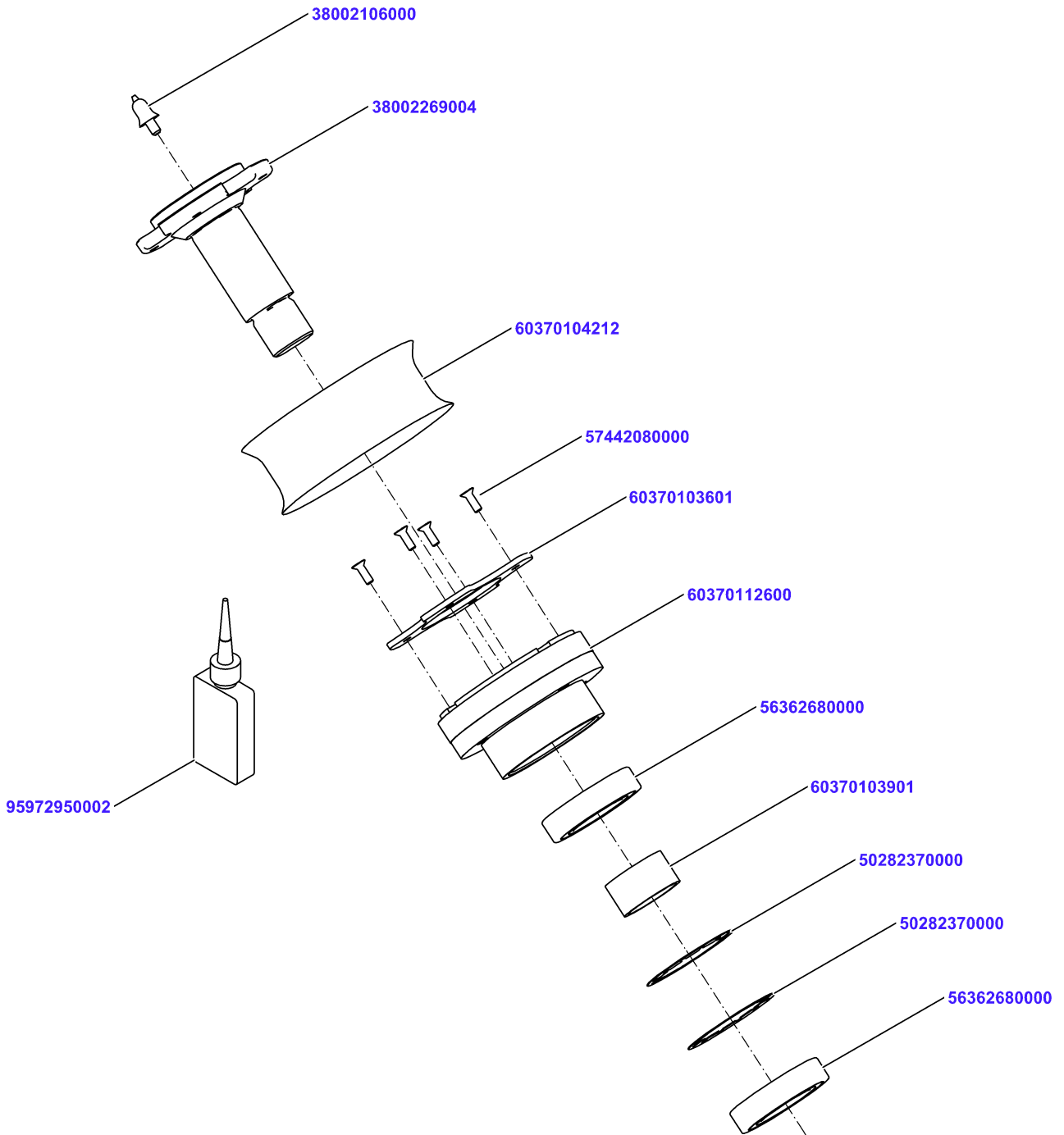
Blade bearing preass.



Blade bearing preass.

Item	Material No.	Qty	Material description	available for order	Wear part	Recomm. sp. part	Metr. relevance
360-20	38002647001	001	Blade bearing preass.	✓			
360-20-1	60370112600	001	Bearing bushing 90x46	✓			
360-20-2	56362680000	002	Grooved ball bearing 30x55x13 6006-2NSE9	✓			
360-20-3	60370103901	001	Spacer ring 19mm	✓			
360-20-4	50282370000	002	Disc spring 54,5x40,5x0,45	✓			
360-20-5	60370103601	001	retaining ring	✓			
360-20-6	57442080000	004	Countersunk Screw DIN7991 M4x12-A2-70	✓			
360-20-7	38002269000	001	BLADE SHAFT	✓			
360-20-8	38002106000	001	Shoring bolt	✓			
360-20-11	60370104211	001	SEALING RING	✓			
360-24	57743440000	004	Socket Head Screw DIN 912-M6x25-A2-70	✓			
360-25	57767060000	004	Spring lock washer DIN128-A6-FSt	✓			
360-26	56739060000	004	Washer DIN125-A-6-A2	✓			
9900	95972940000	001	LOCTITE 243 10ML	✓			
9920	94008908076	001	GREASE PARALIQ GA343 H1 25ML	✓			

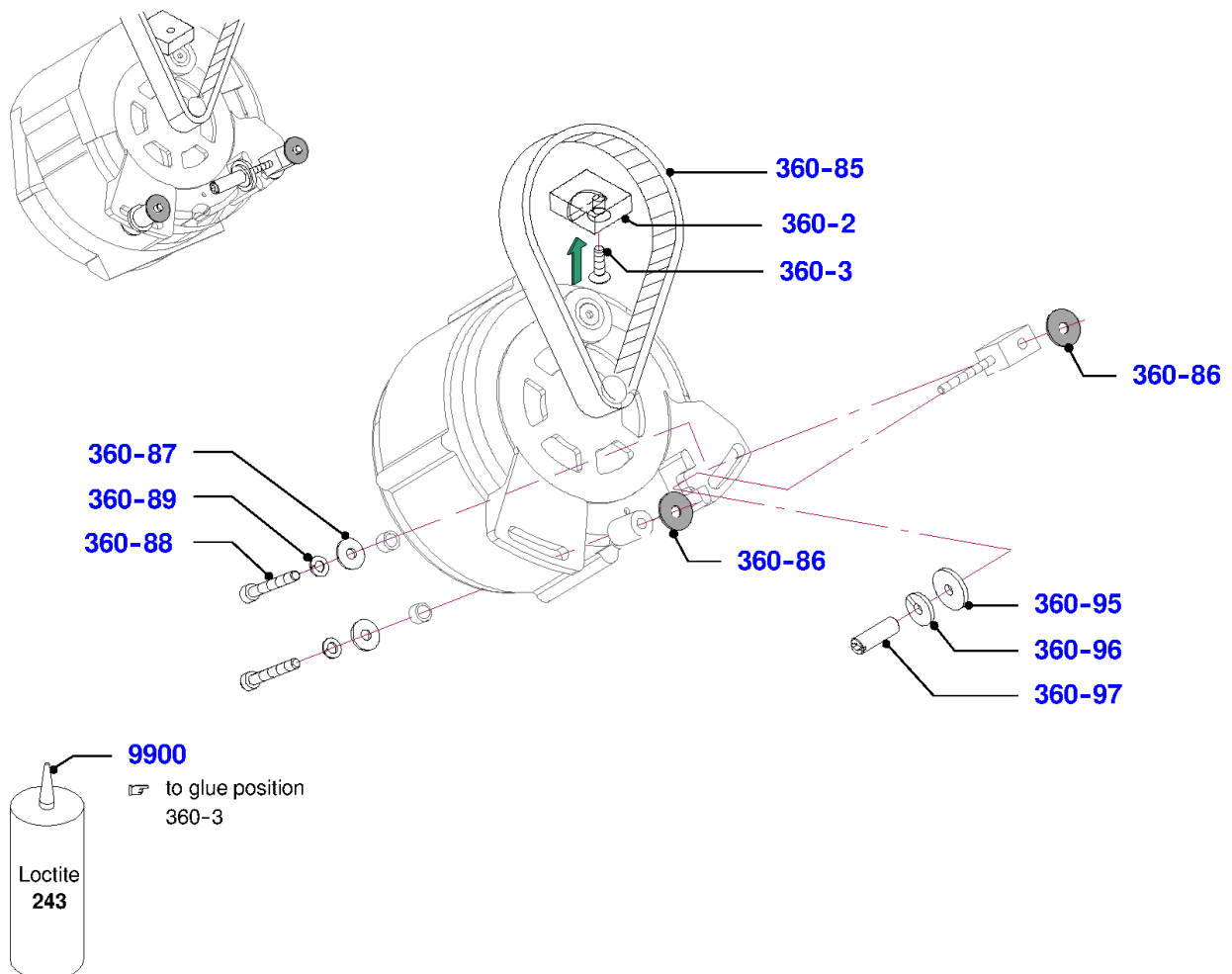
Blade bearing preass.



Blade bearing preass.

Material No.	Qty	Material description	available for order	Wear part	Recomm. sp. part	Metr. relevance
60370112600	1	Bearing bushing 90x46	✓			
56362680000	2	Grooved ball bearing 30x55x13 6006-2NSE9	✓			
60370103901	1	Spacer ring 19mm	✓			
50282370000	2	Disc spring 54,5x40,5x0,45	✓			
60370103601	1	retaining ring	✓			
57442080000	4	Countersunk Screw DIN7991 M4x12-A2-70	✓			
38002269004	1	Blade shaft	✓			
38002106000	1	Shoring bolt	✓			
95972950002	0,001	Loctite 243 50 ml 95972950002	✓			
60370104212	1	Sealing ring blade 108x84x40	✓			

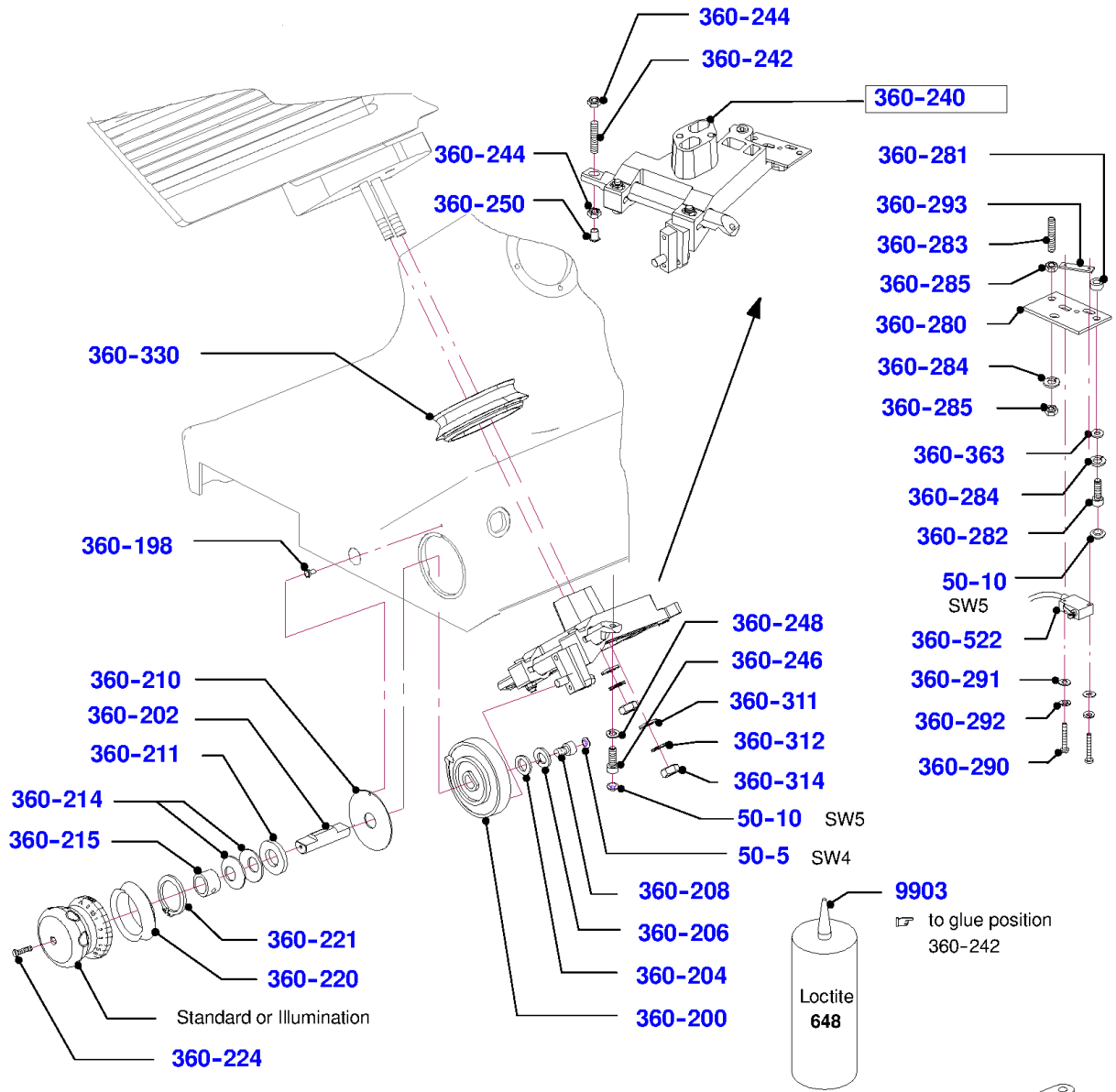
Motor fastening and belt tension



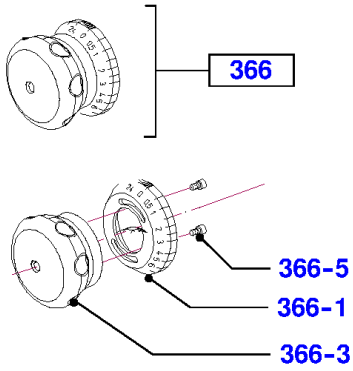
Motor fastening and belt tension

Item	Material No.	Qty	Material description	available for order	Wear part	Recomm. sp. part	Metr. relevance
360-2	60370103001	001	Retaining 12x35x30	✓			
360-3	57442170000	001	Countersunk screw DIN7991 M6x20-A2-70	✓			
360-85	50009811000	001	V-ribbed belt 10 PJ 406	✓	✓	✓	
360-86	40110000099	002	Washer 22x6,5x1,5	✓			
360-87	56765060000	002	Washer DIN9021-6-A2	✓			
360-88	57736450000	002	SOCKET HEAD SCREW DIN 912- M 6X45- 8.8	✓			
360-89	57767060000	002	Spring lock washer DIN128-A6-FSt	✓			
360-95	60220200601	001	washer	✓			
360-96	57767060000	001	Spring lock washer DIN128-A6-FSt	✓			
360-97	60370109701	001	clamping nut	✓			
9900	95972940000	001	LOCTITE 243 10ML	✓			

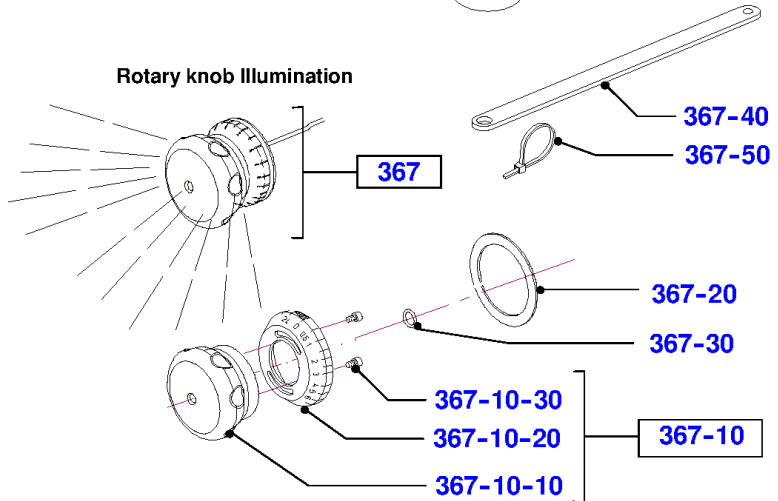
Rotary knob and load arm



Rotary knob Standard



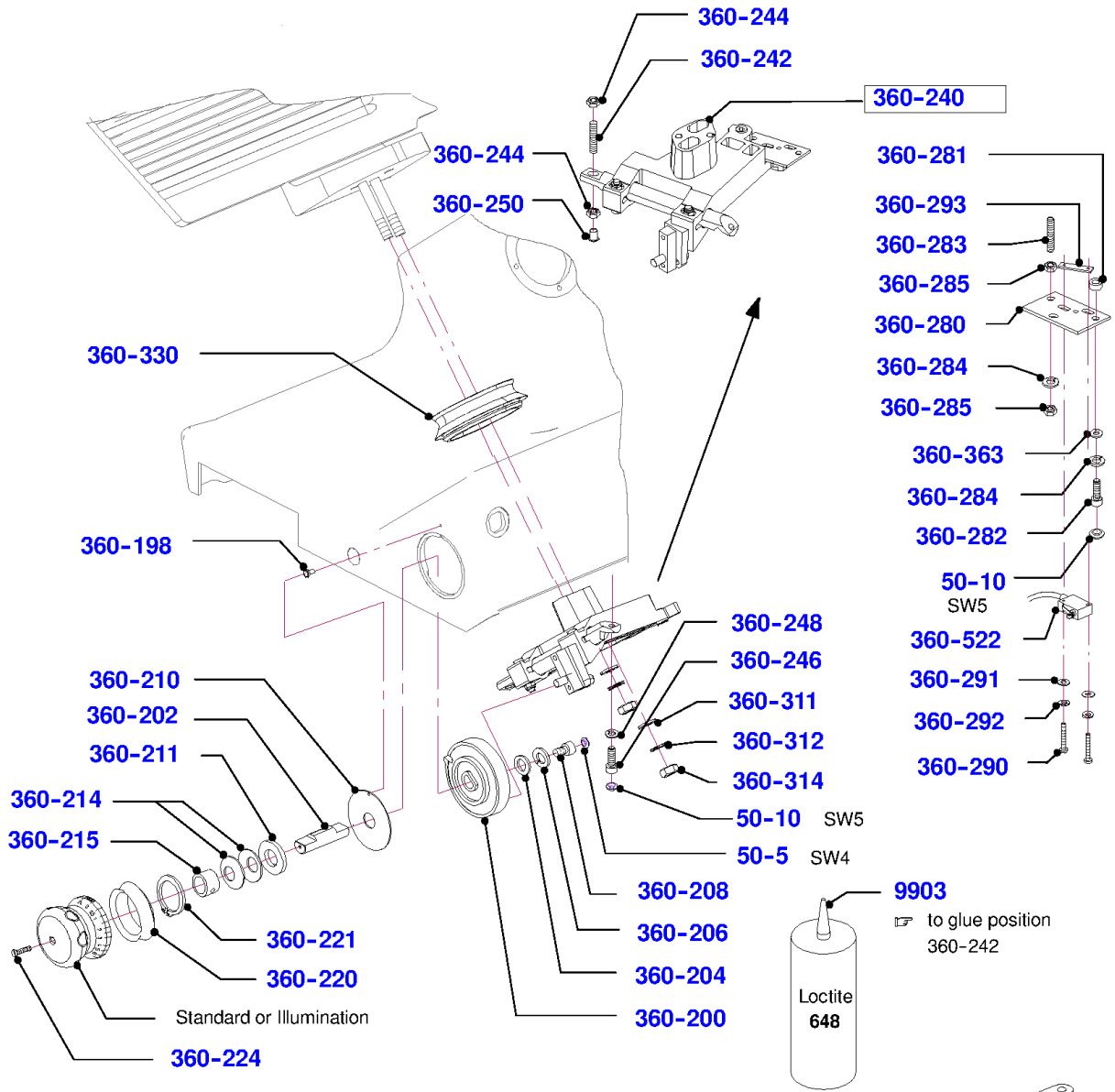
Rotary knob Illumination



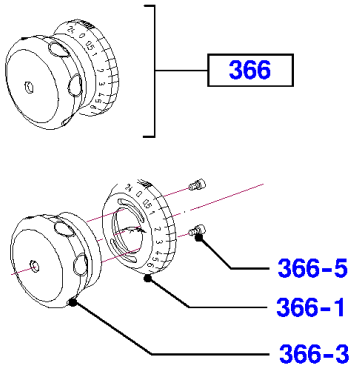
Rotary knob and load arm

Item	Material No.	Qty	Material description	available for order	Wear part	Recomm. sp. part	Metr. relevance
50-5	57744860000	001	Protective plug 9x4,2x2,5-PE	✓		✓	
50-10	57744870000	007	Protective plug 10x5,2x3,1-PE	✓		✓	
360-198	56269330000	001	Round-Head Nail DIN 1476-3x6-PC	✓			
360-200	60370105601	001	GROOVED CAM (STANDARD)	✓		✓	
360-200	38019715000	001	grooved cam	✓			
360-202	60370105702	001	ROTARY KNOB SHAFT	✓			
360-202	38023912001	001	ROTARY KNOB SHAFT (ILLUMINATION)	✓			
360-204	56739050000	001	Washer DIN 125-A 5_3 -A2-70 56739050000	✓			
360-206	57767050000	001	Spring lock washer DIN128-A5-FSt	✓			
360-208	57747210001	001	Cylinder screw DIN7984 M5x12-8.8	✓		✓	
360-210	60370105801	001	Washer 70x18,2x2 - 1.4301	✓			
360-211	40110201009	001	Washer	✓			
360-214	00110000095	002	disk spring	✓			
360-215	57920040000	001	Adjusting Ring DIN 705-A18-St	✓			
360-220	60270101311	001	CHART SEALING RING	✓			
360-221	57775550000	001	Retaining ring DIN472-55x2	✓			
360-224	56922570000	001	Counter Sunk Screw DIN 964-M5x25-A2-70	✓			
360-240	60380101701	001	BEARING BRACKET PREASSY.	✓			
360-240	38023851000	001	Bearing bracket preass.	✓			
360-242	56083380000	001	Set screw ISO4026 M10x50-A2-70	✓			
360-244	56444820000	002	Hexagon Nut DIN 439-BM10-A2-70	✓			
360-246	57743430000	001	Cylinder screw DIN 912-M6x20-A2-70	✓			
360-248	57767060000	001	Spring lock washer DIN128-A6-FSt	✓			
360-250	50002390000	001	Protective plug 14,5x12,7x9,5-PE	✓			
360-280	60370106100	001	SUPPORTING RAIL	✓			
360-281	60370115300	001	Spacer ring	✓			
360-282	57736200000	001	Cylinder screw DIN912 M6x20-8.8	✓			
360-283	56083180000	001	Set screw ISO4026 M6x35-A2-70	✓			
360-284	57767060000	002	Spring lock washer DIN128-A6-FSt	✓			
360-285	56456600000	002	Hexagon nut DIN934-M6-A2	✓			
360-290	56805380001	002	Oval-head screw DIN7985 M3x20-4.8	✓			
360-291	56739030000	002	Washer DIN125-A-3-A2-70 56739030000	✓			
360-292	57767030000	002	Spring lock washer DIN128-A3-FSt	✓			
360-293	60380101500	001	nut plate	✓			
360-311	56739100000	002	Washer DIN125-A-10-A2	✓			
360-312	57767100000	002	Spring lock washer DIN128-A10-FSt	✓			
360-314	56456820000	002	Hexagon nut DIN934-M10-A2	✓			
360-330	60370106311	001	SEALING GAUGE PLATE	✓		✓	
360-363	56739060000	004	Washer DIN125-A-6-A2	✓			
360-522	60386100301	001	SWITCH S870+L500 03L1R032	✓			
366	60370119401	001	Rotary knob cpl.	✓			
366-1	60223501702	001	SCALE	✓			

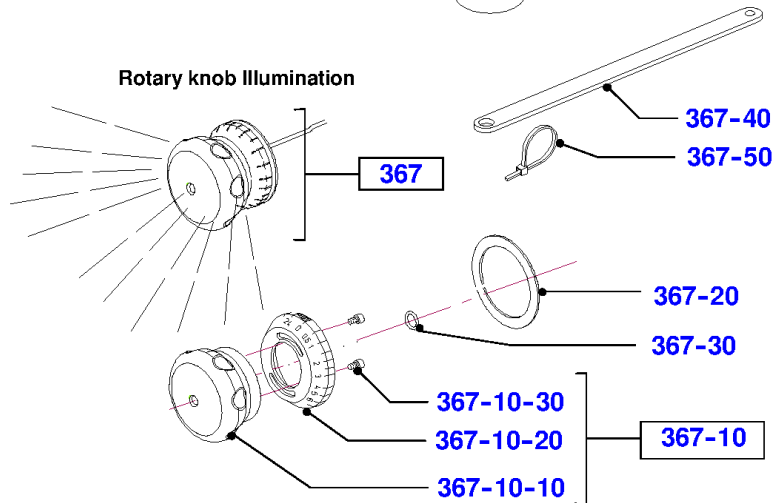
Rotary knob and load arm



Rotary knob Standard



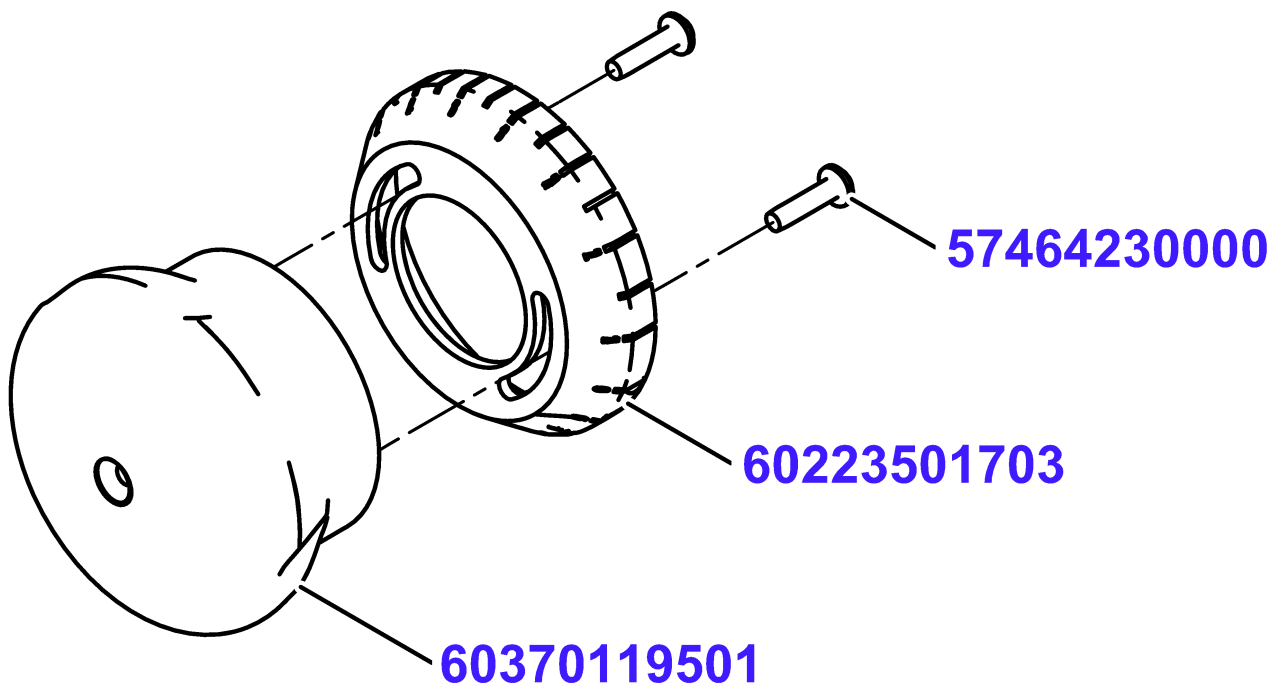
Rotary knob Illumination






Rotary knob and load arm

Item	Material No.	Qty	Material description	available for order	Wear part	Recomm. sp. part	Metr. relevance
366-3	60370119501	001	ROTARY KNOB				
366-5	57464230000	002	Plastic screw 4x16-St-T20				
367	38049176001	001	ROTARY KNOB WITH BOARD GLUED CPL. ILLUMINATION				
367-10	38059916000	001	ROTARY KNOB WITH BOARD GLUED PRE- ASSEM.				
367-10-10	38059909000	001	ROTARY KNOB WITH BOARD GLUED				
367-10-20	60223501702	001	SCALE				
367-10-30	57464230000	002	Plastic screw 4x16-St-T20				
367-20	38040044000	001	SLIDING DISK				
367-30	38040050000	001	O-ring DIN3771 5x2 NBR				
367-40	38060201000	001	FIXING PLATE				
367-50	71004310000	001	Cabel Tie T18R				
9903	95972840000	001	LOCTITE 648 10M				

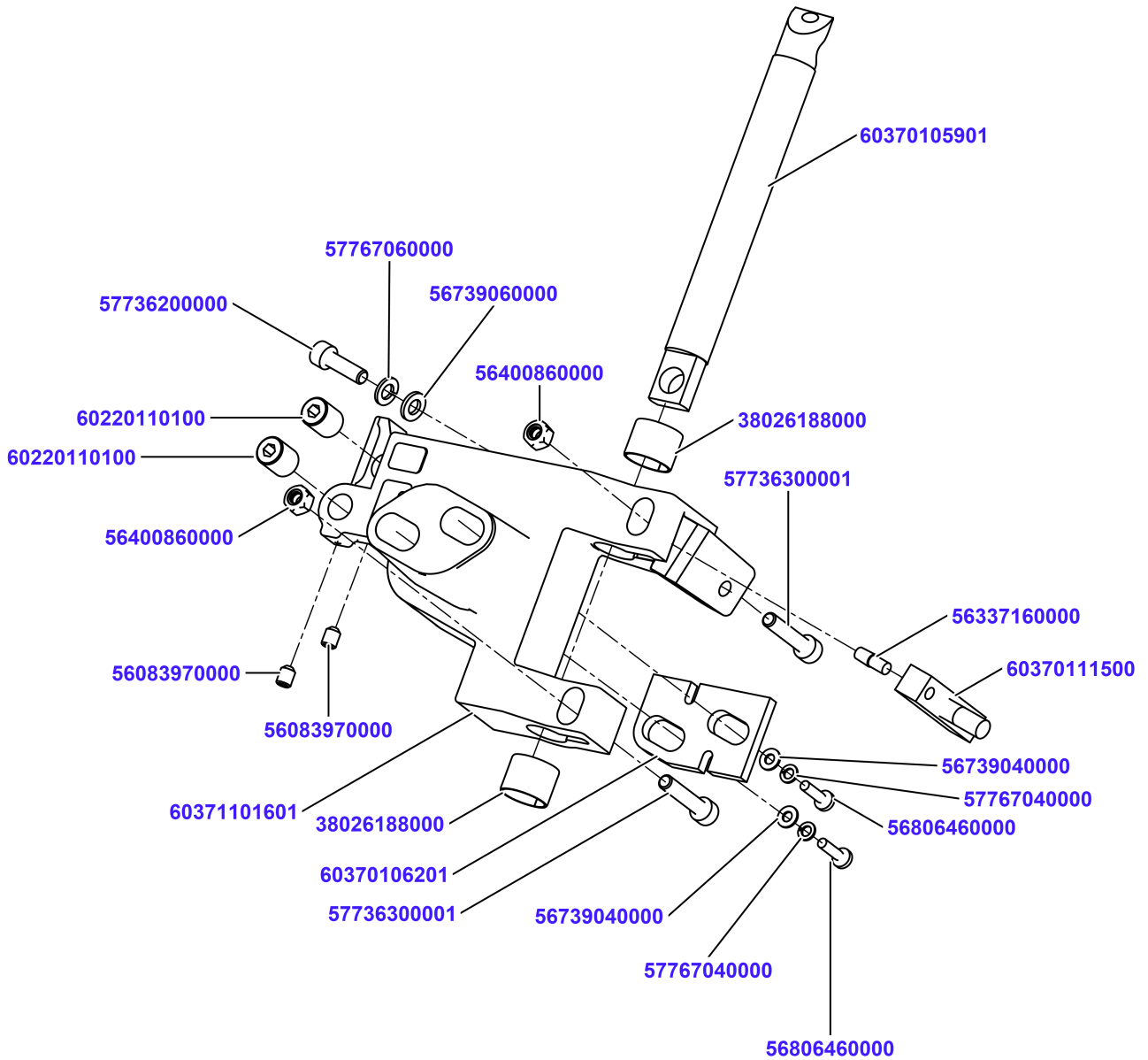
Rotary knob cpl.



















Rotary knob cpl.

Material No.	Qty	Material description	available for order	Wear part	Recomm. sp. part	Metr. relevance
60223501703	1	Scale				
60370119501	1	ROTARY KNOB				
57464230000	2	Plastic screw 4x16-St-T20				

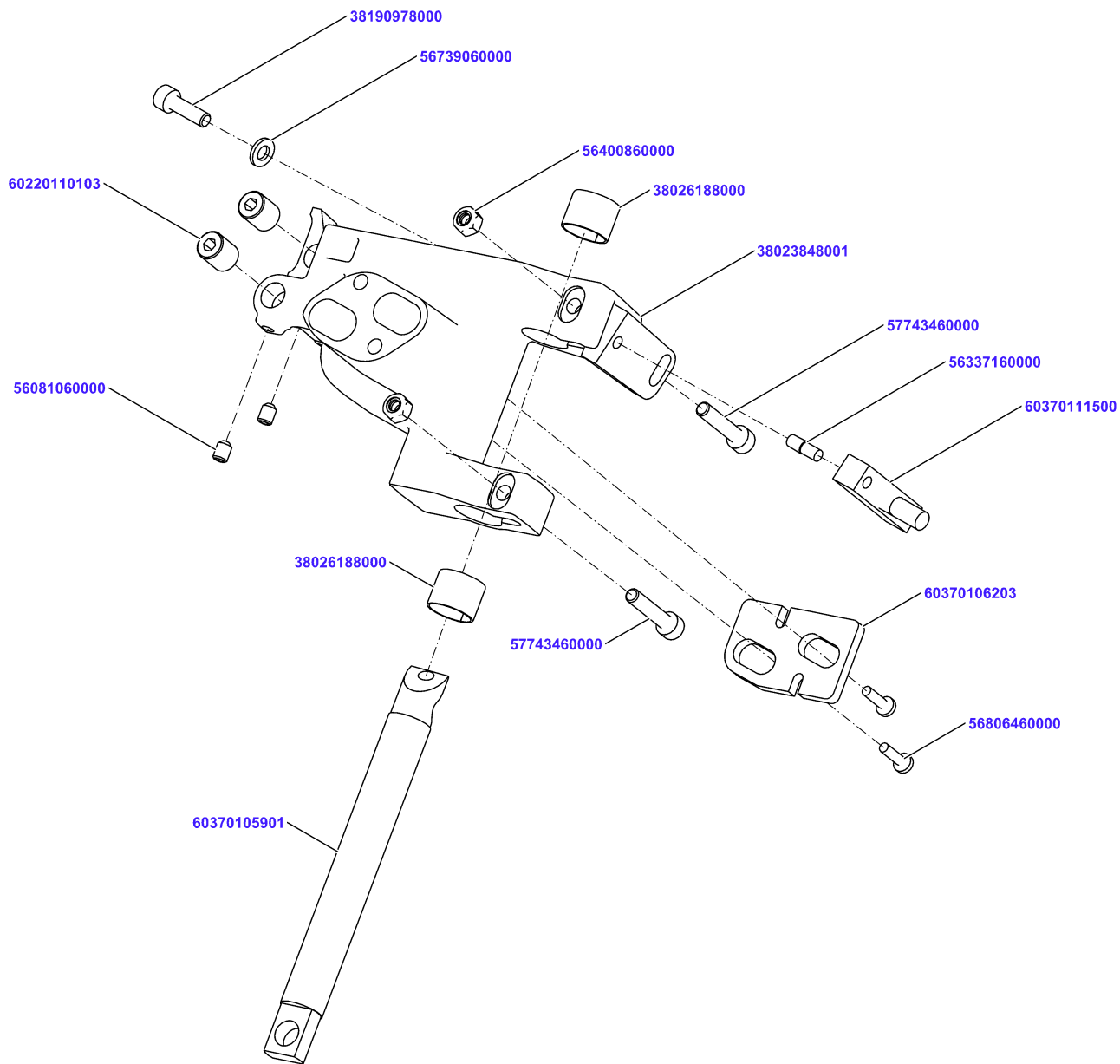
BEARING BRACKET PREASSY.
















BEARING BRACKET PREASSY.

Material No.	Qty	Material description	available for order	Wear part	Recomm. sp. part	Metr. relevance
60371101601	1	BEARING BRACKET				
57736300001	2	Cylinder screw DIN912 M6x30-8.8				
56400860000	2	Locknut DIN 985-M6-A2-70 56400860000				
38026188000	2	Plain bearing 18x20x15				
60370111500	1	lever preassy.				
56337160000	1	Grooved Pin DIN 1474-5x16 A2-70				
57736200000	1	Cylinder screw DIN912 M6x20-8.8				
57767060000	1	Spring lock washer DIN128-A6-FSt				
56739060000	1	Washer DIN125-A-6-A2				
60220110100	2	threaded pin				
56083970000	2	Set screw DIN916 M6x8-45H				
60370105901	1	shaft				
60370106201	1	supporting plate				
56806460000	2	Oval-head screw DIN7985 M4x16-A2-70				
56739040000	2	Washer DIN 125-A 4.3-A2-70 56739040000				
57767040000	2	Spring lock washer DIN128-A4-FSt				

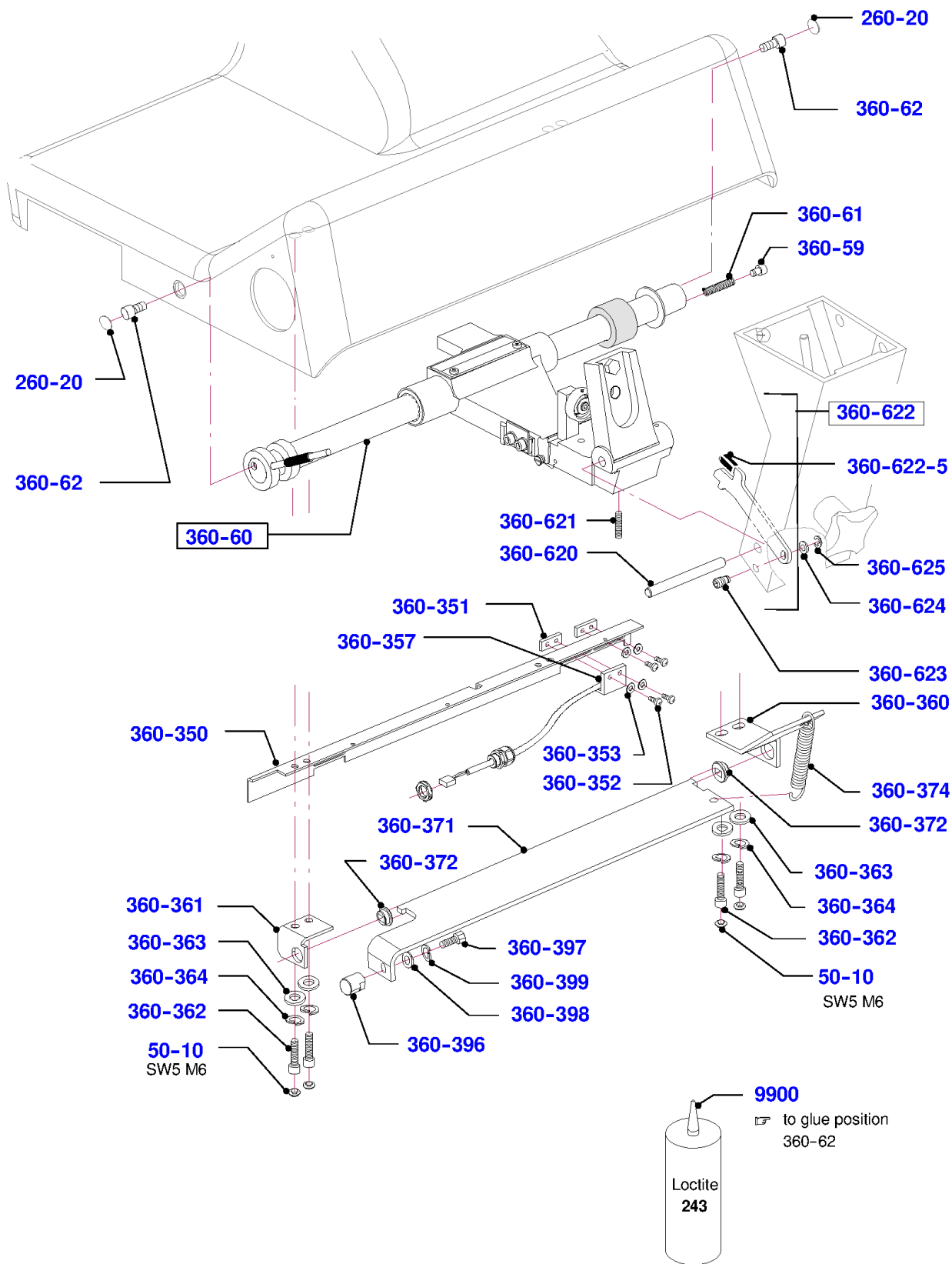
Bearing bracket press.



Bearing bracket preass.

Material No.	Qty	Material description	available for order	Wear part	Recomm. sp. part	Metr. relevance
38023848001	1	Bearing bracket GSP machined				
57743460000	2	Cylinder screw DIN912 M6x30-A2-70				
56400860000	2	Locknut DIN 985-M6-A2-70 56400860000				
38026188000	2	Plain bearing 18x20x15				
60370111500	1	lever preassy.				
56337160000	1	Grooved Pin DIN 1474-5x16 A2-70				
38190978000	1	Cylinder screw M6x20-A2-70 Precote 30-8				
56739060000	1	Washer DIN125-A-6-A2				
60220110103	2	Threaded Bolt M12x1 x 14				
56081060000	2	Set screw DIN916 M6x8-A2-70				
60370105901	1	shaft				
60370106203	1	Supporting plate				
56806460000	2	Oval-head screw DIN7985 M4x16-A2-70				

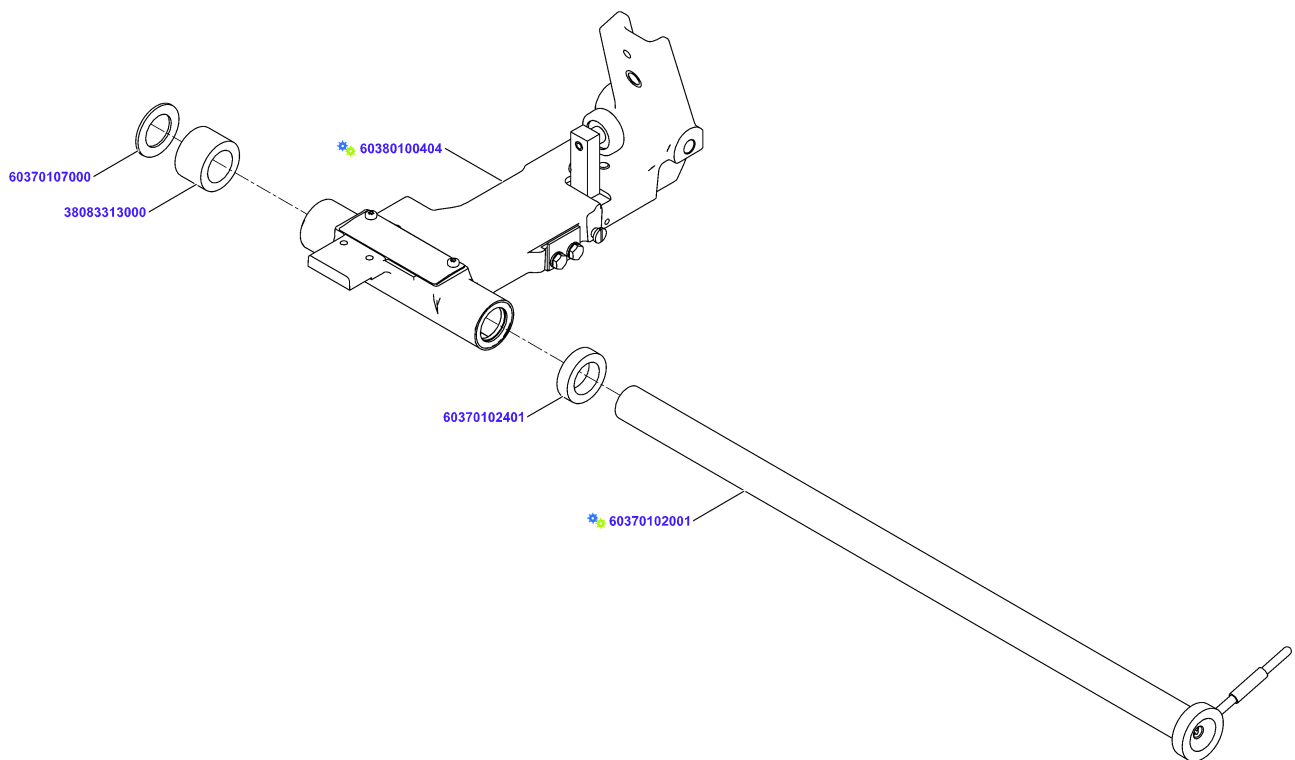
Carriage guide, sensor support, rail, angle and locking slider



Carriage guide, sensor support, rail, angle and locking slider

Item	Material No.	Qty	Material description	available for order	Wear part	Recomm. sp. part	Metr. relevance
50-10	57744870000	007	Protective plug 10x5,2x3,1-PE	✓		✓	
260-20	56777181000	002	Sealing washer DIN470 18-AI	✓			
260-20	38017693000	002	Verschluss Scheibe C Nachfolg 56777181000	✓			
360-59	60180300028	001	Bolt 8X5	✓			
360-60	60380100302	001	Carriage guide cpl. HD	✓			
360-61	50275150000	001	Comp. spring 8,5x6,1x29,4x15,57-5,761	✓			
360-62	60370101900	002	SCREW	✓			
360-350	60384102101	001	SENSOR SUPPORT	✓			
360-351	60380315100	001	Nut plate	✓			
360-352	56805410000	002	OVAL- HEAD SCREW DIN 7985- M4X6- 5.8	✓			
360-353	56739040000	002	Washer DIN 125-A 4.3-A2-70 56739040000	✓			
360-357	60386103100	001	SENSOR ENDPOS SE12D	✓		✓	
360-360	60370106401	001	ANGLE, BACK	✓			
360-361	60370106501	001	ANGLE, FRONT	✓			
360-362	57736160001	004	Cylinder screw DIN912 M6x16-8.8	✓			
360-363	56739060000	004	Washer DIN125-A-6-A2	✓			
360-364	57767060000	004	Spring lock washer DIN128-A6-FSt	✓			
360-371	60370106602	001	RAIL	✓			
360-372	60370106700	002	Bearing jack	✓			
360-374	50998960000	001	Tension spring 12x27,8x7,98-1,015	✓			
360-396	60370106900	001	distance washer	✓			
360-397	57347160000	001	HEXAGON SCREW DIN 933- M6X16- 8.8	✓			
360-398	56739060000	001	Washer DIN125-A-6-A2	✓			
360-399	57767060000	001	Spring lock washer DIN128-A6-FSt	✓			
360-620	60370108700	001	shaft	✓			
360-621	56083980000	001	Set screw DIN916 M6x12-A2-70	✓			
360-622	60370108900	001	locking slider, compl.	✓			
360-622-5	60370116100	001	Pre-cut Shrink Sleeve GR 6.4 - 30	✓			
360-623	60370110700	001	bearing bolt	✓			
360-624	60800105000	001	WASHER 8,2 X 13,8 X 0,8	✓		✓	
360-625	57750600000	001	Retaining washer DIN6799-6	✓			
9900	95972940000	001	LOCTITE 243 10ML	✓			

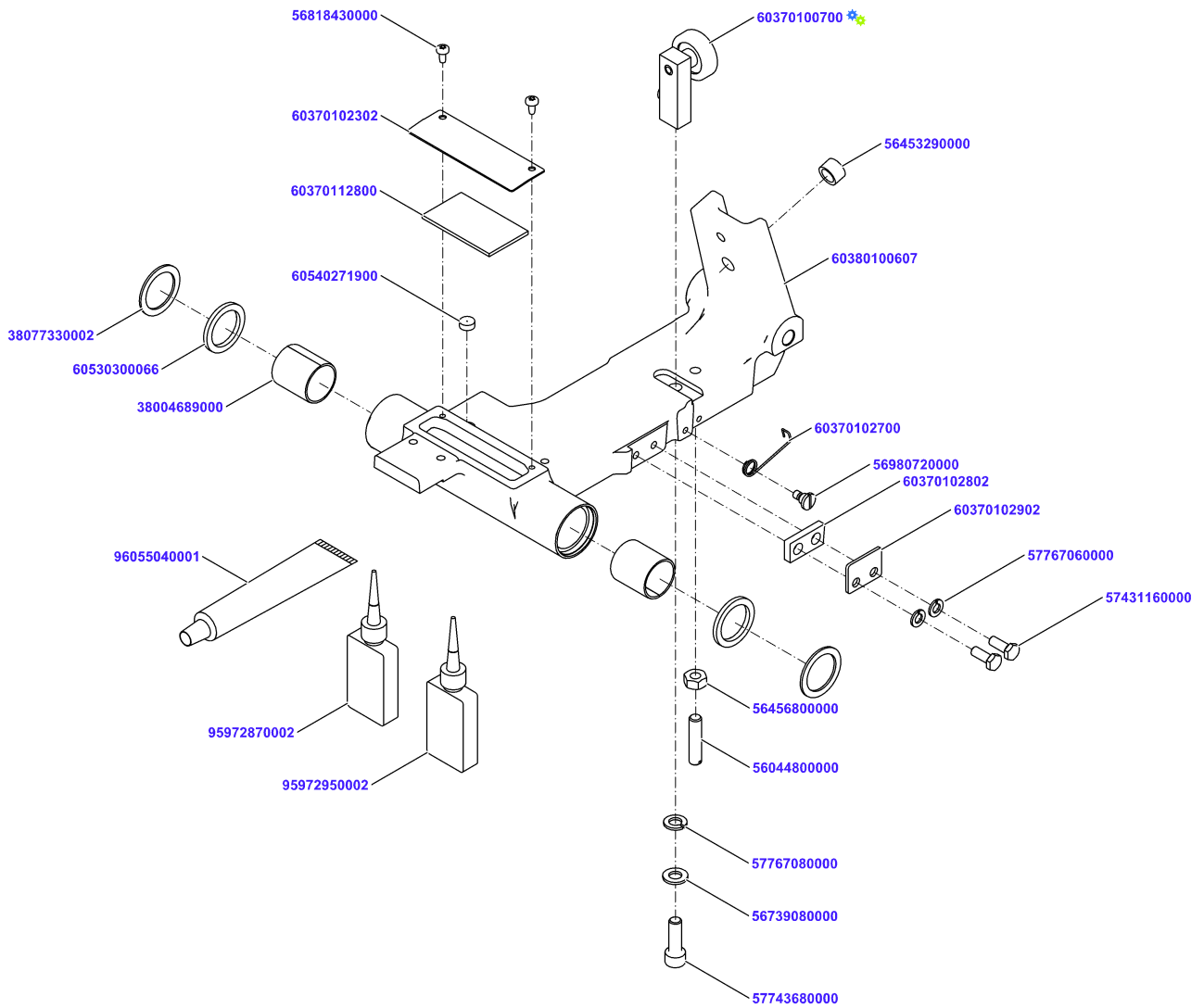
Carriage guide cpl. HD



Carriage guide cpl. HD

Material No.	Qty	Material description	available for order	Wear part	Recomm. sp. part	Metr. relevance
60380100404	1	Carriage guide preass 330 multi				
60370102001	1	Carriage shaft preass.				
60370102401	1	Shock absorber 38x24,5x10	✓			
38083313000	1	Shock absorber 38x24,5x25	✓			
60370107000	1	Buffer disk	✓			

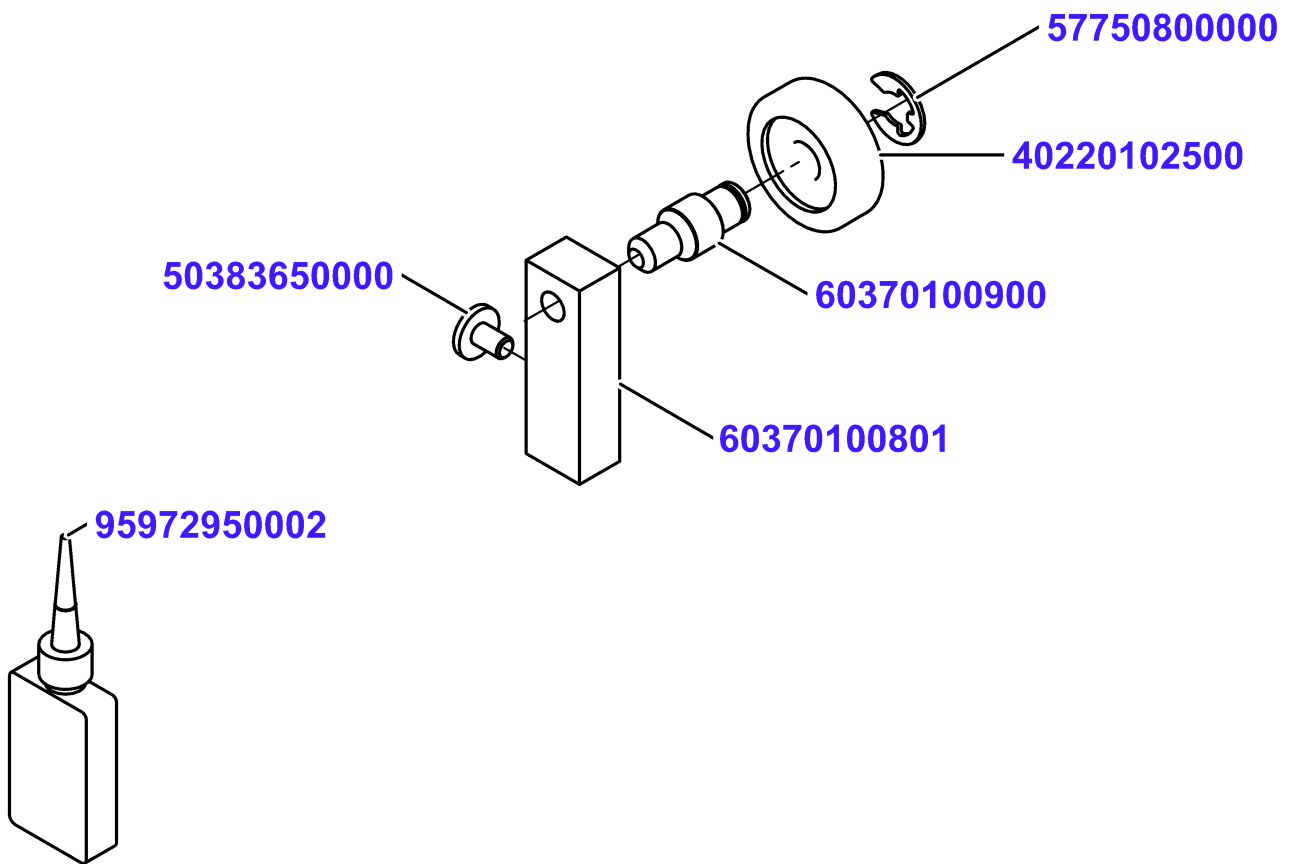
Carriage guide preass 330 multi



Carriage guide preass 330 multi

Material No.	Qty	Material description	available for order	Wear part	Recomm. sp. part	Metr. relevance
60380100607	1	Carriage guide 330 GSP machined	✓			
60370100700	1	Roller support preassembled				
60540271900	1	Magnet Vacodym 370 LC round 10X4			✓	
95972870002	0,001	Loctite 638 95972870002	✓			
57743680000	1	Cylinder screw DIN912 M8x25-A2-70	✓			
56739080000	1	Washer DIN 125-A 8.4-A2-70	✓			
57767080000	1	Spring lock washer DIN128-A8-A2	✓			
60530300066	2	felt ring	✓			
38077330002	2	Cover disk 35f8x26x1,5	✓			
38004689000	2	Plain bearing 25x28x30	✓			
56980720000	1	Oval-head screw DIN923 M5x11-5.8	✓			
56453290000	1	Threaded insert M12x9	✓			
56044800000	1	Set screw DIN551 M8x35 - brass	✓			
56456800000	1	Hexagon Nut DIN 934-M8-A2-70	✓			
95972950002	0,001	Loctite 243 50 ml 95972950002	✓			
60370112800	1	Felt strip	✓			
96055040001	0,002	Grease Isoflex Topas NB 5051	✓			
60370102302	1	Cover	✓			
56818430000	2	Self-tapping screw DIN7500-CE M4x8-5.6*	✓			
60370102902	1	Insert 30x22x2	✓			
60370102802	1	stop	✓			
60370102700	1	Torsion spring	✓			
57431160000	2	Hexagon Screw DIN 933 M6x16 A2-70	✓			
57767060000	2	Spring lock washer DIN128-A6-FSt	✓			

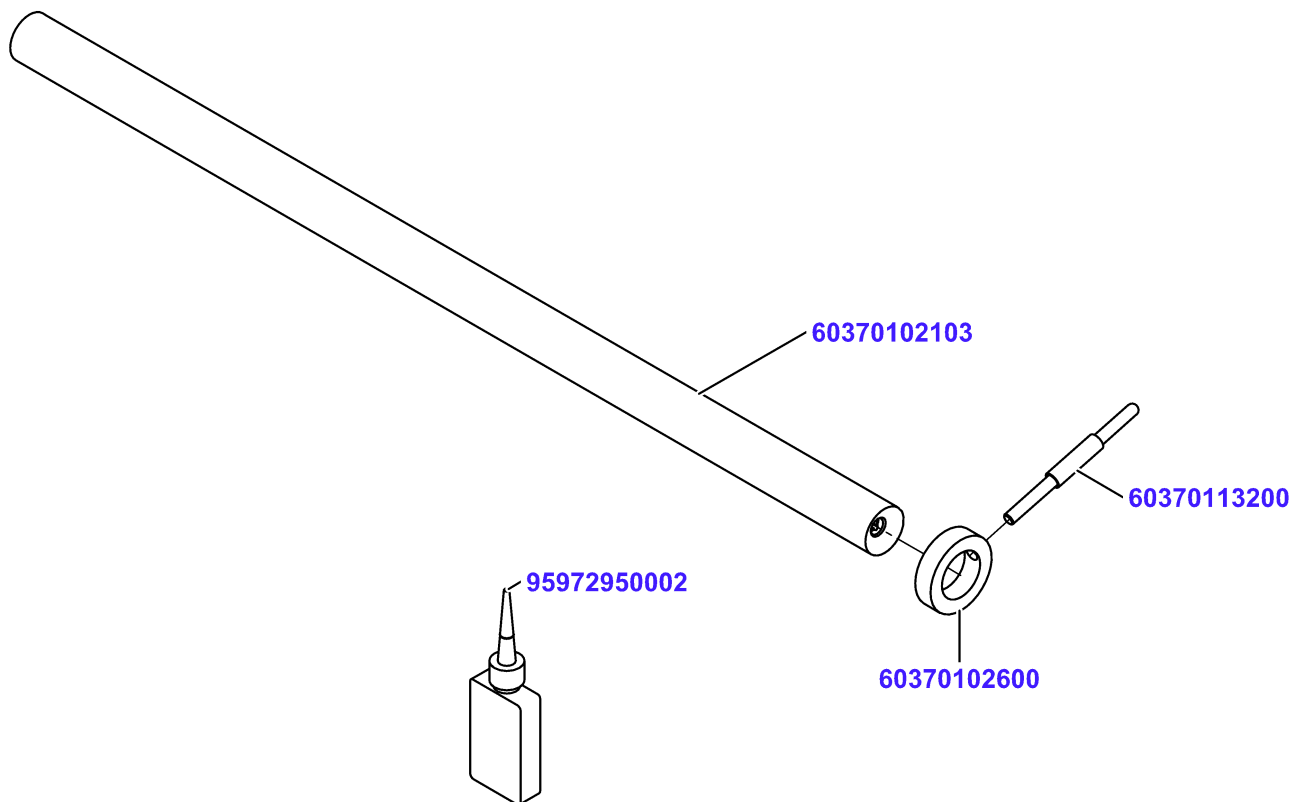
Roller support preassembled



Roller support preassembled

Material No.	Qty	Material description	available for order	Wear part	Recomm. sp. part	Metr. relevance
60370100802	1	Roller support 16x12x50				
60370100900	1	bearing bolt				
95972950002	0,001	Loctite 243 50 ml 95972950002				
40220102500	1	roller				
57753800000	1	Retaining Washer DIN 6799-8-1.41				
50383650000	1	Buffer 12x11				

Carriage shaft preass.



Carriage shaft preass.

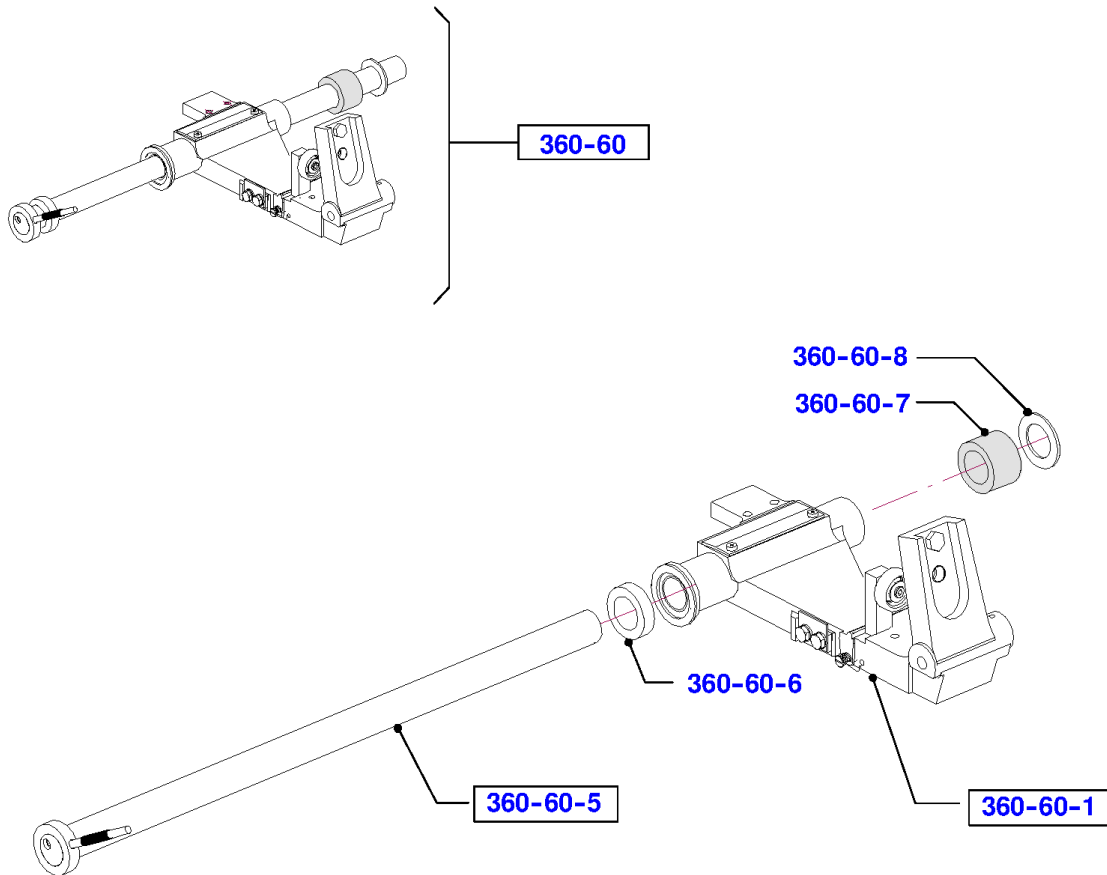
Material No.	Qty	Material description
60370102103	1	Carriage Shaft 559,7x25
60370102600	1	Stop ring
60370113200	1	Lever preassembled
95972950002	0,001	Loctite 243 50 ml 95972950002

available for order	Wear part	Recomm. sp. part	Metr. relevance

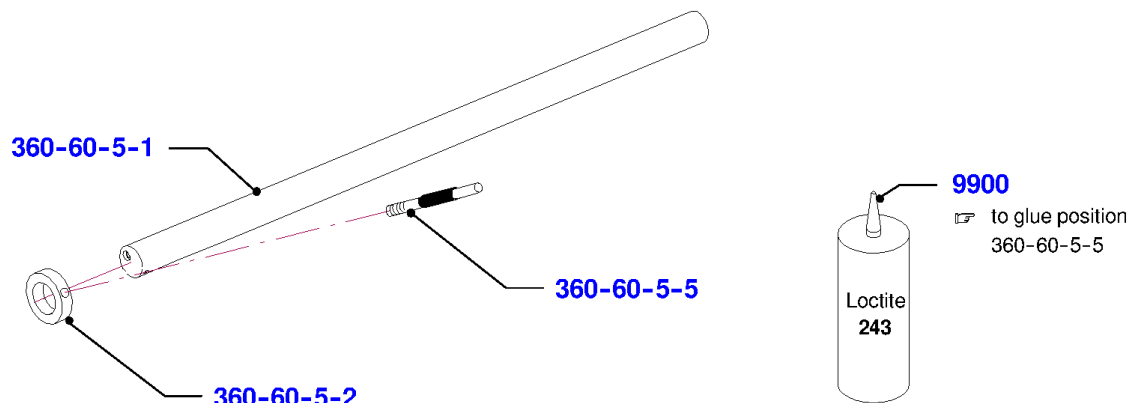
Carriage guide

Carriage guide compl. Carriage shaft press.

Carriage guide compl.



Carriage shaft press.



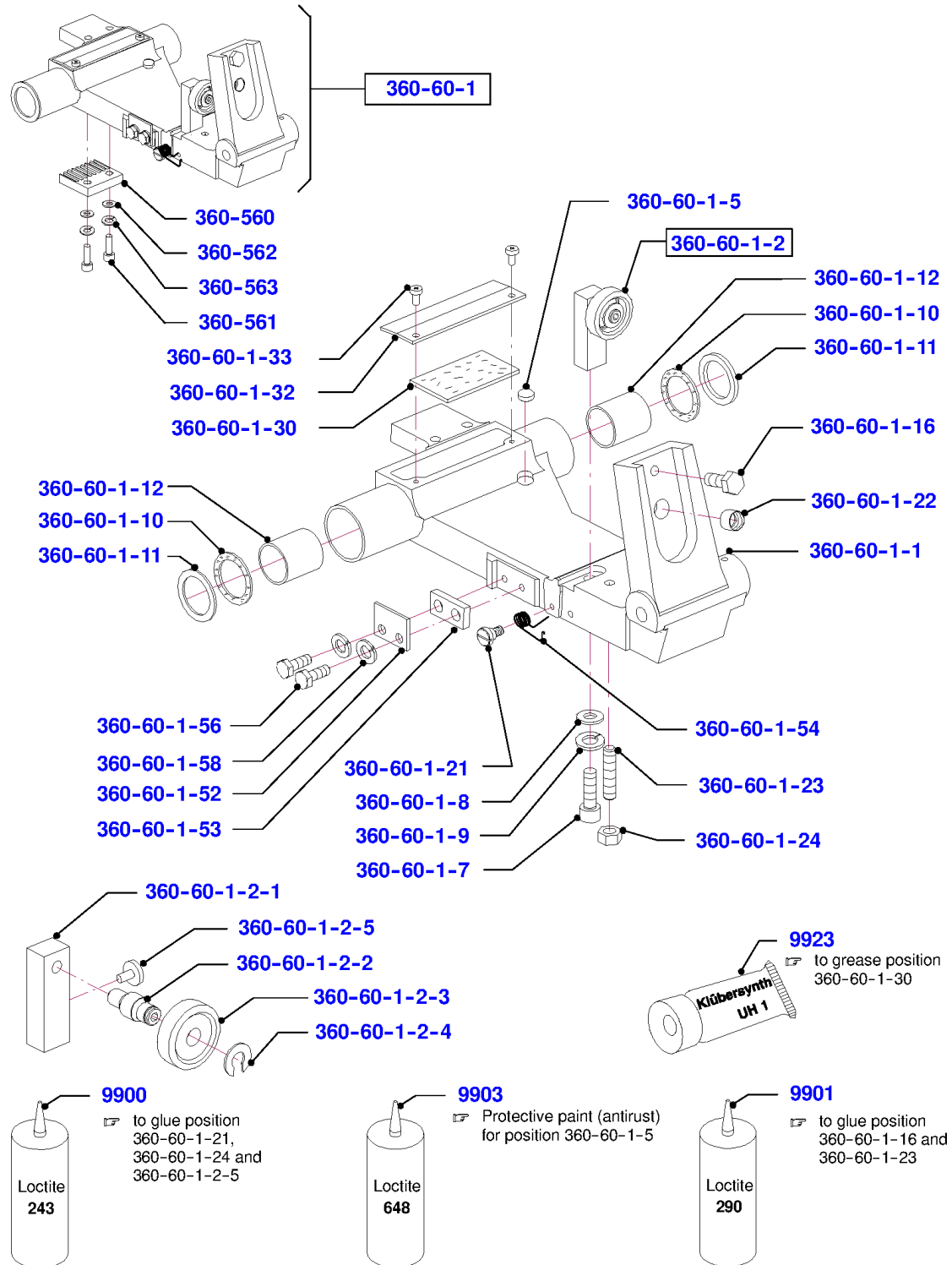
Carriage guide

Item	Material No.	Qty	Material description	available for order	Wear part	Recomm. sp. part	Metr. relevance
360-60	60380100302	001	Carriage guide cpl. HD	✓			
360-60-1	60380100404	001	Carriage guide preass 330 multi	✓			
360-60-5	60370102001	001	Carriage shaft preass.	✓			
360-60-5-1	60370102102	001	CARRIAGE SHAFT	✓			
360-60-5-2	60370102600	001	Stop ring	✓			
360-60-5-5	60370113200	001	Lever preassembled	✓			
360-60-6	60370102400	001	SHOCK ABSORBER	✓		✓	
360-60-7	60370102500	001	SHOCK ABSORBER SLEEVE	✓		✓	
360-60-8	60370107000	001	Buffer disk	✓			
9900	95972940000	001	LOCTITE 243 10ML	✓			

Carriage guide

Carriage guide, preass.

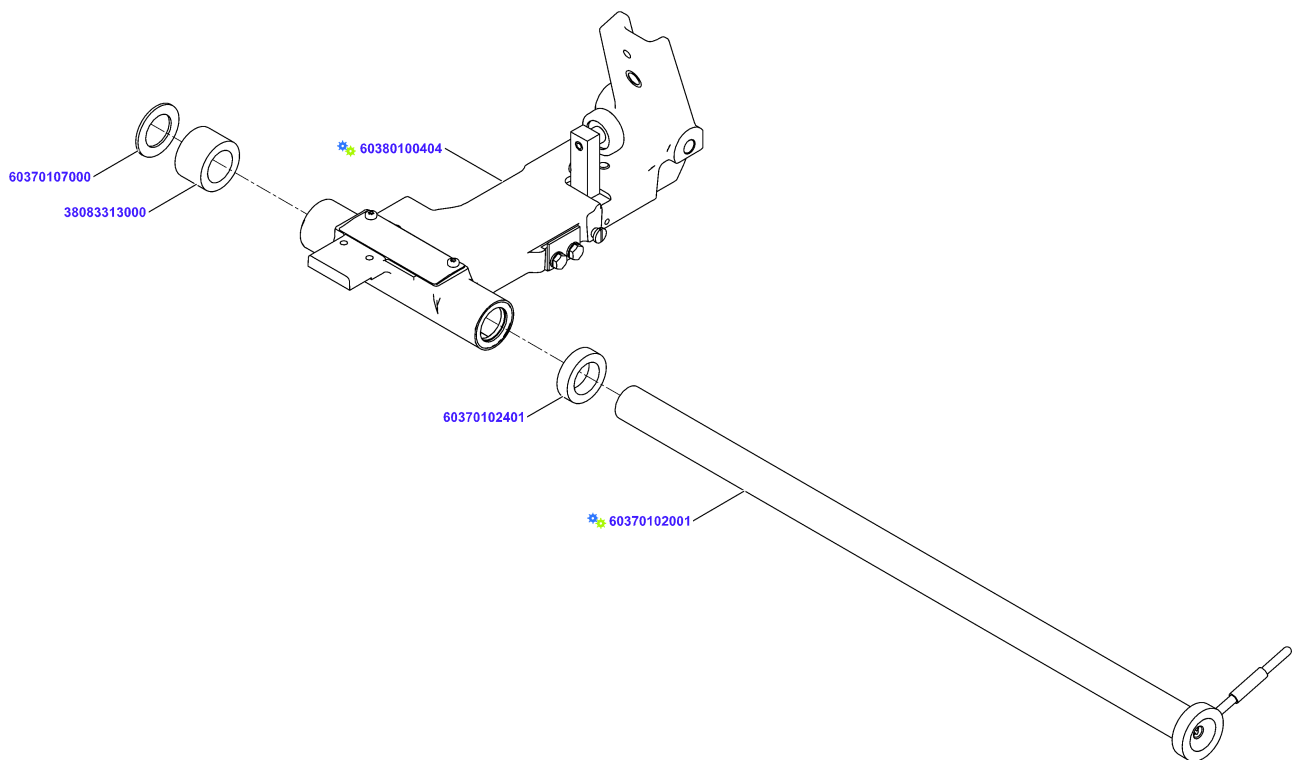
Carriage guide, preass.



Carriage guide

Item	Material No.	Qty	Material description	available for order	Wear part	Recomm. sp. part	Metr. relevance
360-60-1	60380100404	001	Carriage guide preass 330 multi				
360-60-1-1	60380100606	001	Carriage guide 330 machined				
360-60-1-2	60370100700	001	Roller support preassembled				
360-60-1-2-1	60370100801	001	Roller support				
360-60-1-2-2	60370100900	001	bearing bolt				
360-60-1-2-3	40220102500	001	roller				
360-60-1-2-4	57750800000	001	Retaining washer DIN6799-8				
360-60-1-2-5	50383650000	001	Buffer 12x11				
360-60-1-5	60540271900	001	Magnet Vacodym 370 LC round 10X4				
360-60-1-7	57737250001	001	SOCKET HEAD SCREW DIN 912- M8X25- 8.8- A4V				
360-60-1-8	56739080000	001	Washer DIN 125-A 8.4-A2-70				
360-60-1-9	57767080000	001	Spring lock washer DIN128-A8-A2				
360-60-1-10	60530300066	002	felt ring				
360-60-1-11	60530300067	002	WASHER 26				
360-60-1-12	38004689000	002	Plain bearing 25x28x30				
360-60-1-16	57432200000	001	Hexagon Screw DIN 933-M8x20-A2-70				
360-60-1-16	57432300000	001	Hexagon screw DIN933 M8x30 A2-70				
360-60-1-21	56980720000	001	Oval-head screw DIN923 M5x11-5.8				
360-60-1-22	56453290000	001	Threaded insert M12x9				
360-60-1-23	56044800000	001	Set screw DIN551 M8x35 - brass				
360-60-1-24	56456800000	001	Hexagon Nut DIN 934-M8-A2-70				
360-60-1-30	60370112800	001	Felt strip				
360-60-1-32	60370102301	001	COVER				
360-60-1-33	56818430000	002	Self-tapping screw DIN7500-CE M4x8-5.6*				
360-60-1-52	60370102901	001	INSERT				
360-60-1-53	60370102802	001	stop				
360-60-1-54	60370102700	001	Torsion spring				
360-60-1-56	57347160000	002	HEXAGON SCREW DIN 933- M6X16- 8.8				
360-60-1-58	57767060000	002	Spring lock washer DIN128-A6-FSt				
360-560	60384112500	001	Clamping Plug				
360-561	57743440000	002	Socket Head Screw DIN 912-M6x25-A2-70				
360-562	56739060000	002	Washer DIN125-A-6-A2				
360-563	57767060000	002	Spring lock washer DIN128-A6-FSt				
9900	95972940000	001	LOCTITE 243 10ML				
9901	95972990002	010	Loctite 290				
9903	95972840000	001	LOCTITE 648 10M				
9923	96055080000	001	Kluebersynth UH1 64-62/25kg				

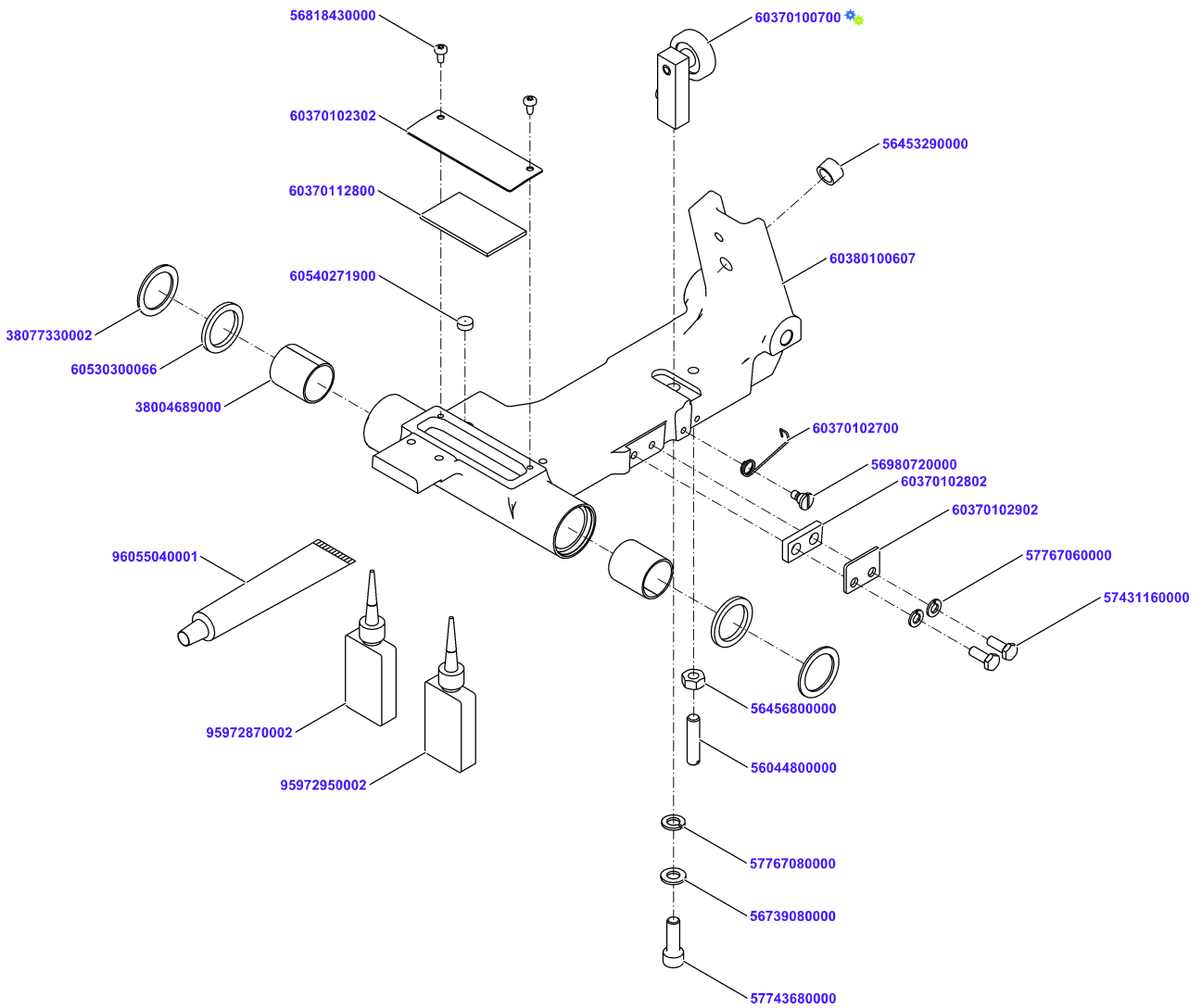
Carriage guide cpl. HD



Carriage guide cpl. HD

Material No.	Qty	Material description	available for order	Wear part	Recomm. sp. part	Metr. relevance
60380100404	1	Carriage guide preass 330 multi				
60370102001	1	Carriage shaft preass.				
60370102401	1	Shock absorber 38x24,5x10	✓			
38083313000	1	Shock absorber 38x24,5x25	✓			
60370107000	1	Buffer disk	✓			

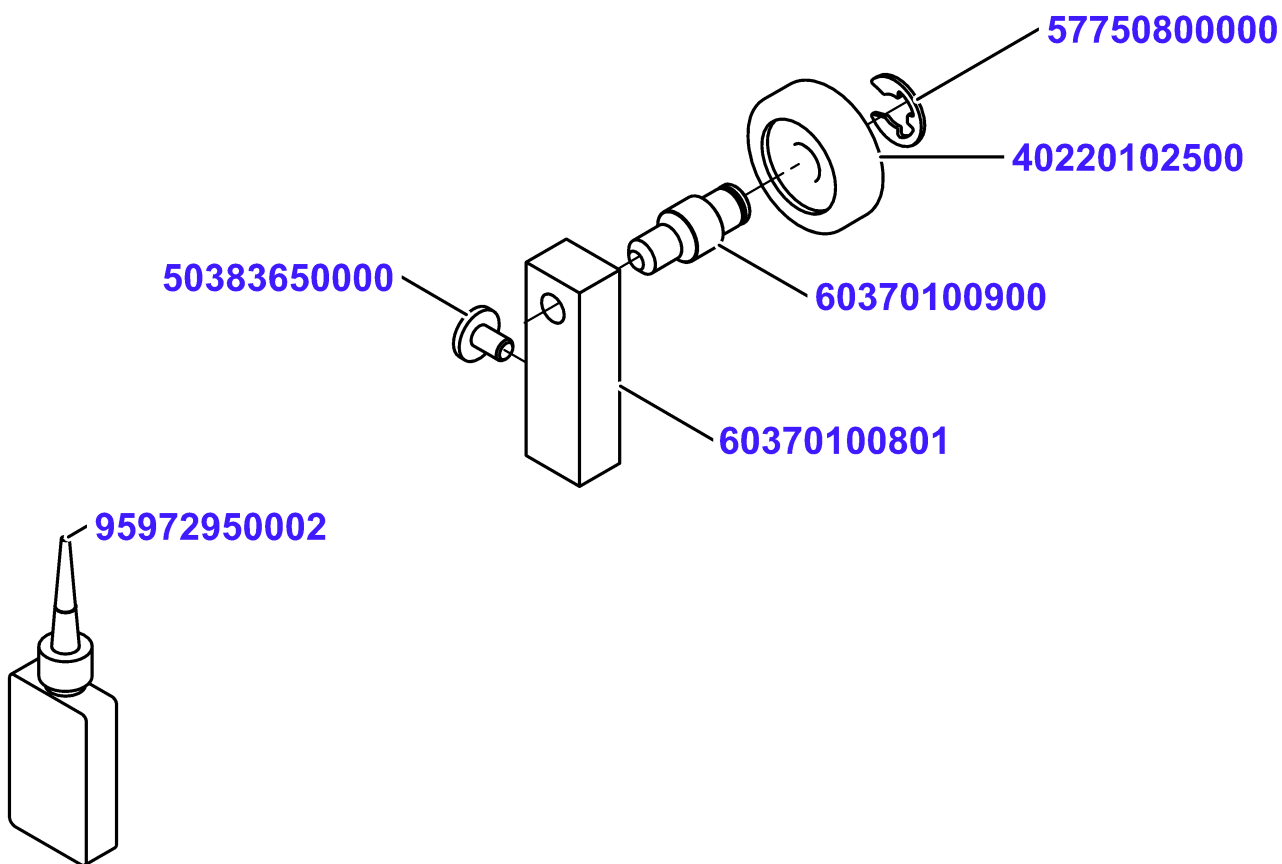
Carriage guide preass 330 multi



Carriage guide preass 330 multi

Material No.	Qty	Material description	available for order	Wear part	Recomm. sp. part	Metr. relevance
60380100607	1	Carriage guide 330 GSP machined	✓			
60370100700	1	Roller support preassembled				
60540271900	1	Magnet Vacodym 370 LC round 10X4			✓	
95972870002	0,001	Loctite 638 95972870002	✓			
57743680000	1	Cylinder screw DIN912 M8x25-A2-70	✓			
56739080000	1	Washer DIN 125-A 8.4-A2-70	✓			
57767080000	1	Spring lock washer DIN128-A8-A2	✓			
60530300066	2	felt ring	✓			
38077330002	2	Cover disk 35f8x26x1,5	✓			
38004689000	2	Plain bearing 25x28x30	✓			
56980720000	1	Oval-head screw DIN923 M5x11-5.8	✓			
56453290000	1	Threaded insert M12x9	✓			
56044800000	1	Set screw DIN551 M8x35 - brass	✓			
56456800000	1	Hexagon Nut DIN 934-M8-A2-70	✓			
95972950002	0,001	Loctite 243 50 ml 95972950002	✓			
60370112800	1	Felt strip	✓			
96055040001	0,002	Grease Isoflex Topas NB 5051	✓			
60370102302	1	Cover	✓			
56818430000	2	Self-tapping screw DIN7500-CE M4x8-5.6*	✓			
60370102902	1	Insert 30x22x2	✓			
60370102802	1	stop	✓			
60370102700	1	Torsion spring	✓			
57431160000	2	Hexagon Screw DIN 933 M6x16 A2-70	✓			
57767060000	2	Spring lock washer DIN128-A6-FSt	✓			

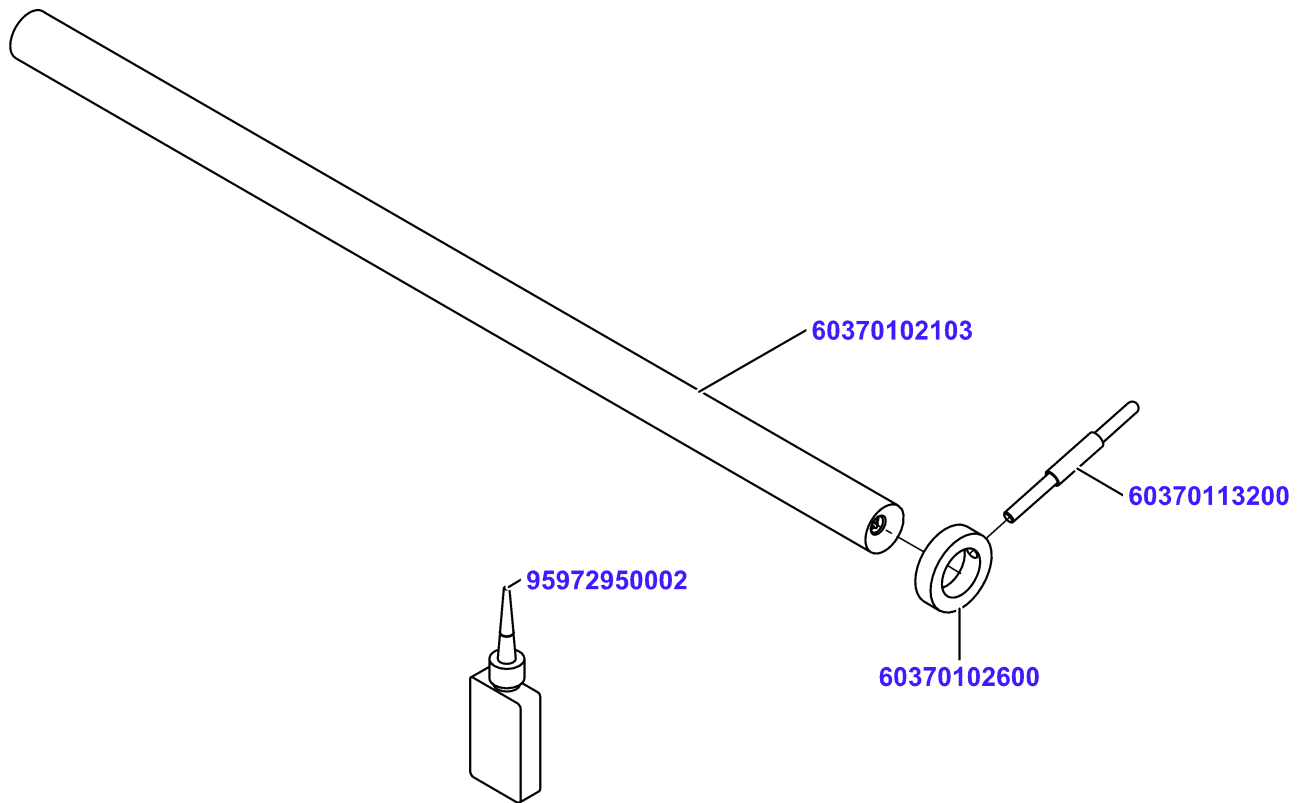
Roller support preassembled



Roller support preassembled

Material No.	Qty	Material description	available for order	Wear part	Recomm. sp. part	Metr. relevance
60370100802	1	Roller support 16x12x50				
60370100900	1	bearing bolt				
95972950002	0,001	Loctite 243 50 ml 95972950002				
40220102500	1	roller				
57753800000	1	Retaining Washer DIN 6799-8-1.41				
50383650000	1	Buffer 12x11				

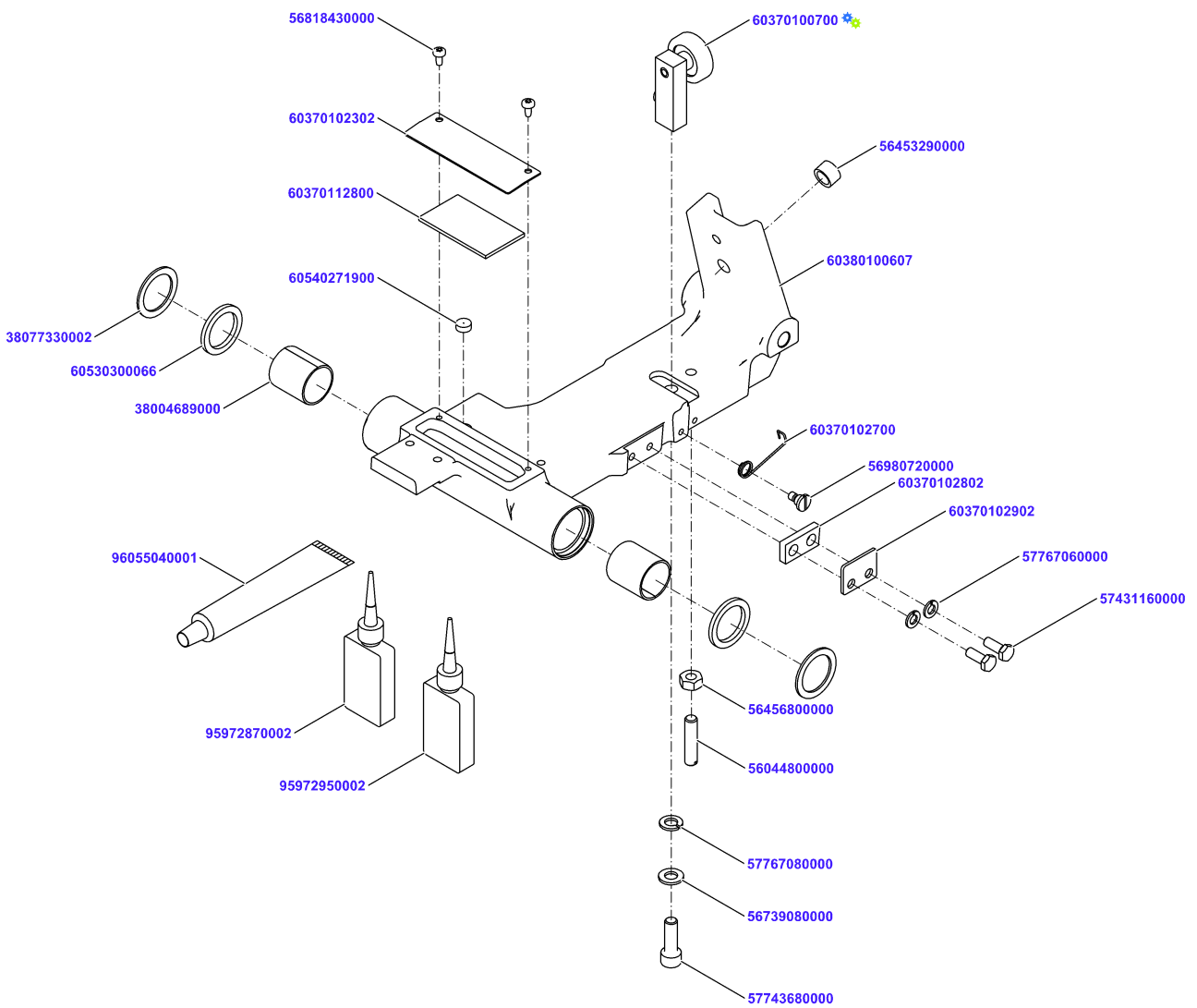
Carriage shaft preass.



Carriage shaft preass.

Material No.	Qty	Material description	available for order	Wear part	Recomm. sp. part	Metr. relevance
60370102103	1	Carriage Shaft 559,7x25				
60370102600	1	Stop ring				
60370113200	1	Lever preassembled				
95972950002	0,001	Loctite 243 50 ml 95972950002				

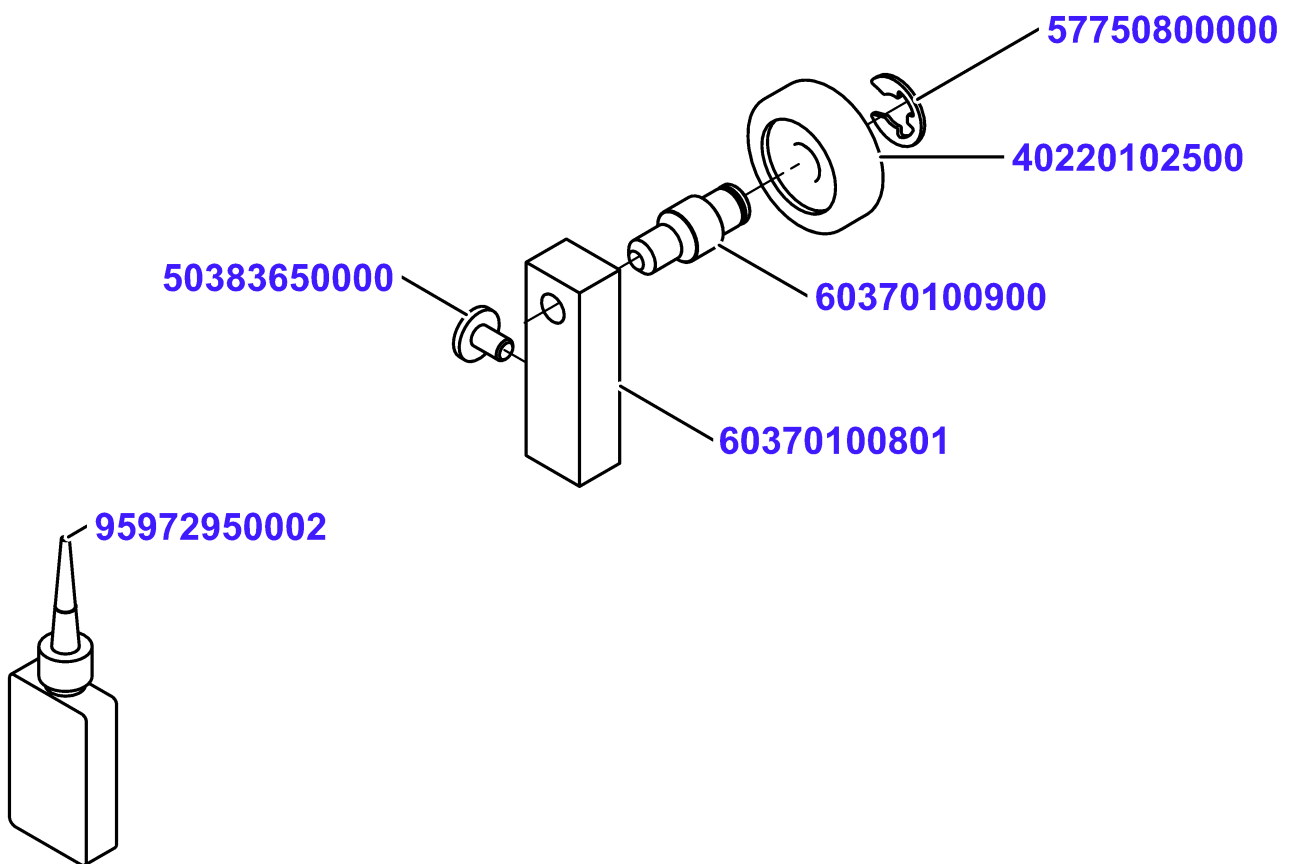
Carriage guide preass 330 multi



Carriage guide preass 330 multi

Material No.	Qty	Material description	available for order	Wear part	Recomm. sp. part	Metr. relevance
60380100607	1	Carriage guide 330 GSP machined	✓			
60370100700	1	Roller support preassembled				
60540271900	1	Magnet Vacodym 370 LC round 10X4			✓	
95972870002	0,001	Loctite 638 95972870002	✓			
57743680000	1	Cylinder screw DIN912 M8x25-A2-70	✓			
56739080000	1	Washer DIN 125-A 8.4-A2-70	✓			
57767080000	1	Spring lock washer DIN128-A8-A2	✓			
60530300066	2	felt ring	✓			
38077330002	2	Cover disk 35f8x26x1,5	✓			
38004689000	2	Plain bearing 25x28x30	✓			
56980720000	1	Oval-head screw DIN923 M5x11-5.8	✓			
56453290000	1	Threaded insert M12x9	✓			
56044800000	1	Set screw DIN551 M8x35 - brass	✓			
56456800000	1	Hexagon Nut DIN 934-M8-A2-70	✓			
95972950002	0,001	Loctite 243 50 ml 95972950002	✓			
60370112800	1	Felt strip	✓			
96055040001	0,002	Grease Isoflex Topas NB 5051	✓			
60370102302	1	Cover	✓			
56818430000	2	Self-tapping screw DIN7500-CE M4x8-5.6*	✓			
60370102902	1	Insert 30x22x2	✓			
60370102802	1	stop	✓			
60370102700	1	Torsion spring	✓			
57431160000	2	Hexagon Screw DIN 933 M6x16 A2-70	✓			
57767060000	2	Spring lock washer DIN128-A6-FSt	✓			

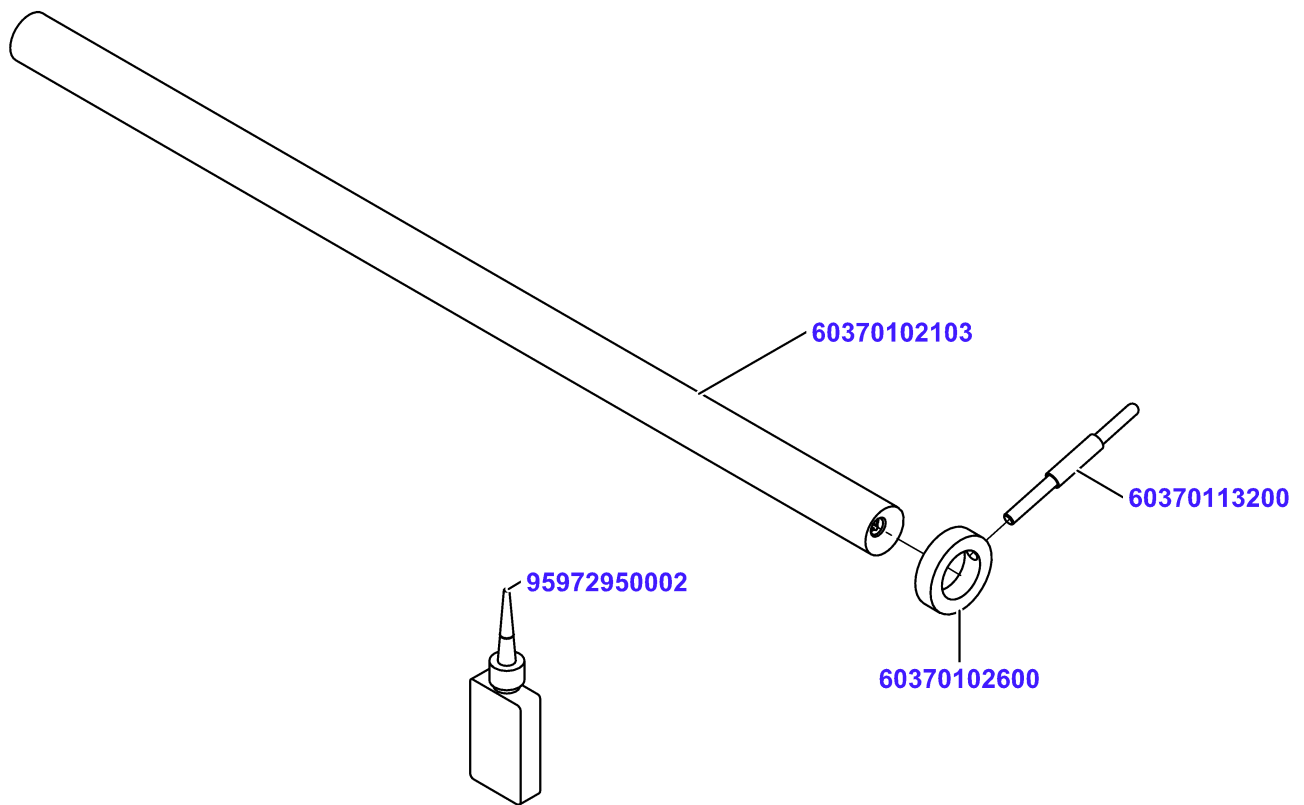
Roller support preassembled



Roller support preassembled





Material No.	Qty	Material description	available for order	Wear part	Recomm. sp. part	Metr. relevance
60370100802	1	Roller support 16x12x50				
60370100900	1	bearing bolt				
95972950002	0,001	Loctite 243 50 ml 95972950002				
40220102500	1	roller				
57753800000	1	Retaining Washer DIN 6799-8-1.41				
50383650000	1	Buffer 12x11				

Carriage shaft preass.

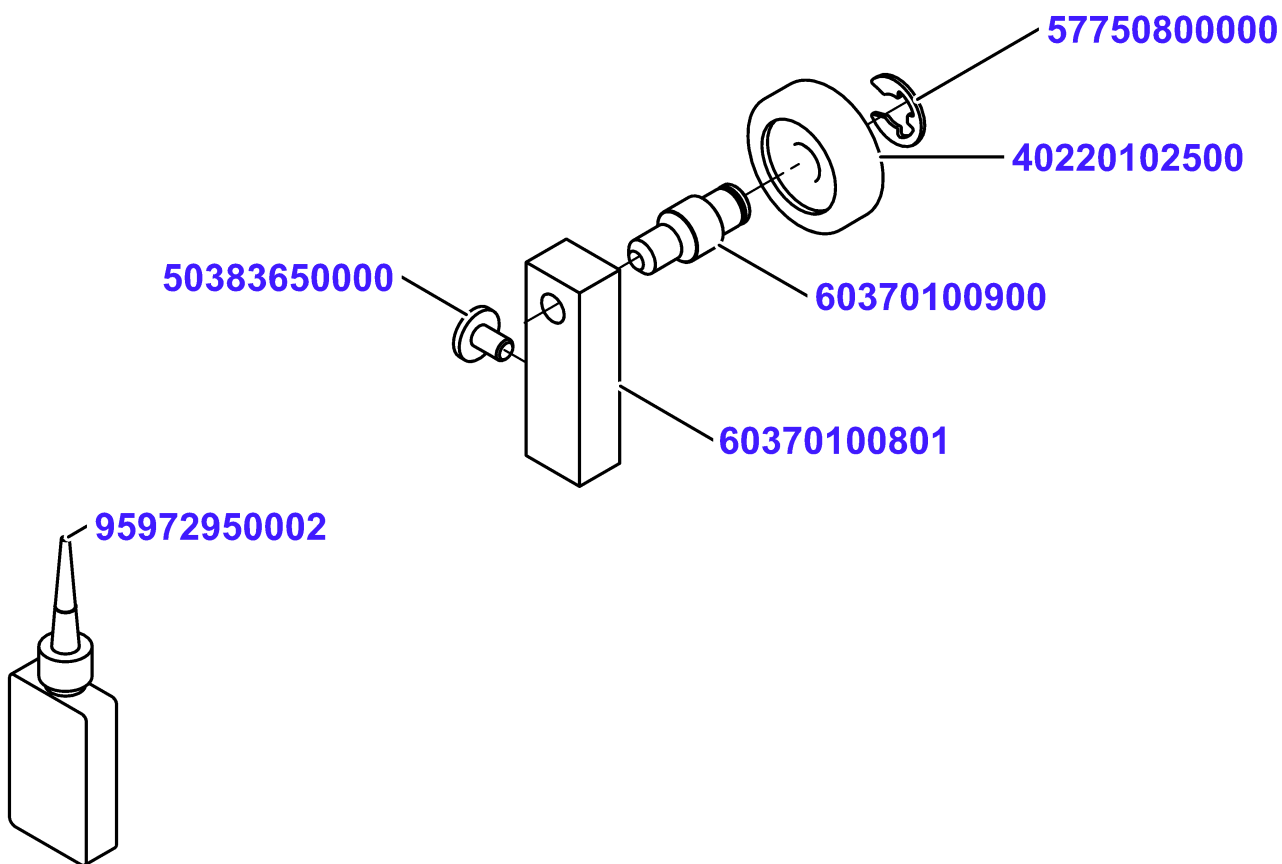


Carriage shaft preass.

Material No.	Qty	Material description
60370102103	1	Carriage Shaft 559,7x25
60370102600	1	Stop ring
60370113200	1	Lever preassembled
95972950002	0,001	Loctite 243 50 ml 95972950002

available for order	Wear part	Recomm. sp. part	Metr. relevance
			
			
			
			

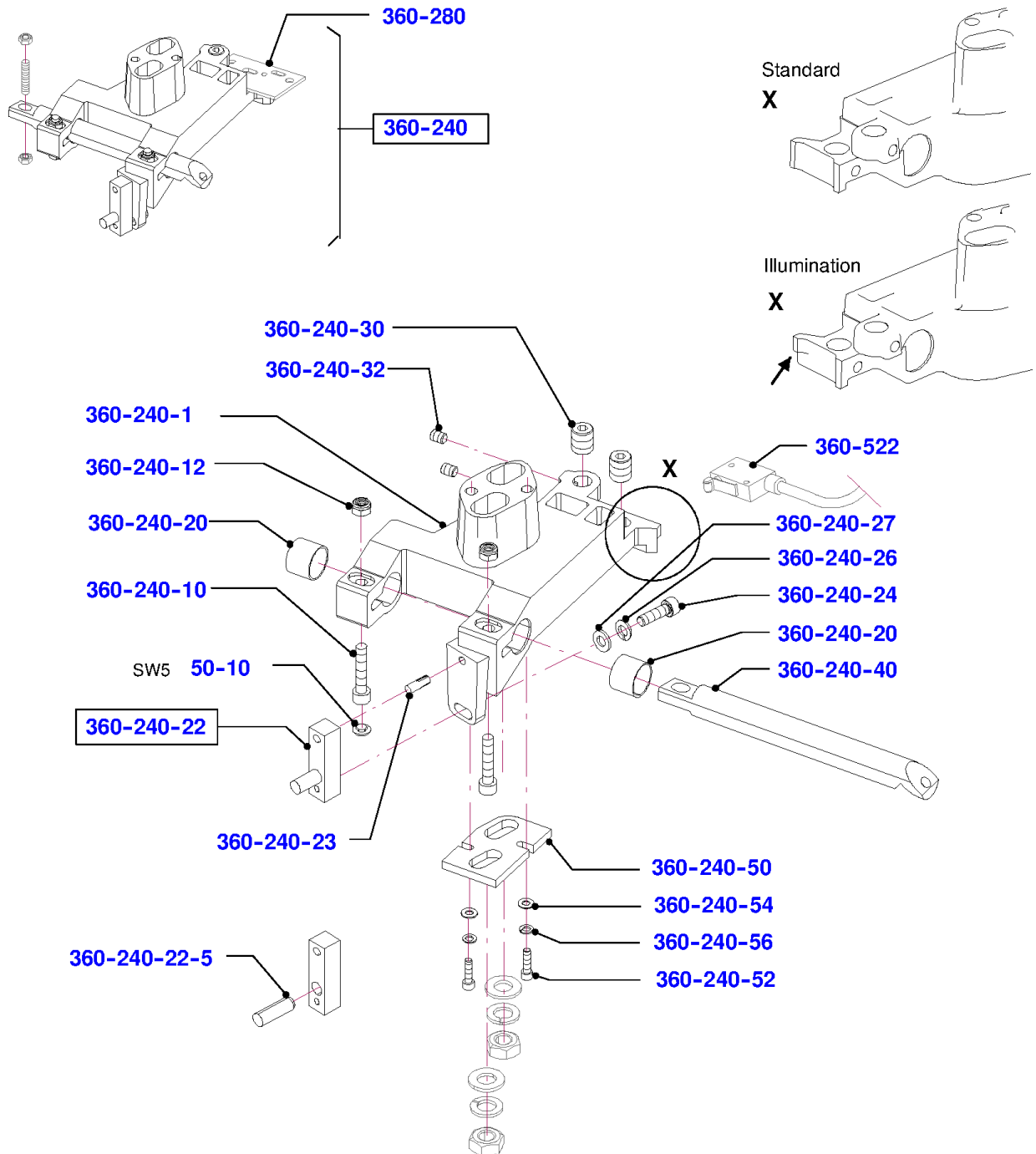
Roller support preassembled



Roller support preassembled

Material No.	Qty	Material description	available for order	Wear part	Recomm. sp. part	Metr. relevance
60370100802	1	Roller support 16x12x50				
60370100900	1	bearing bolt				
95972950002	0,001	Loctite 243 50 ml 95972950002				
40220102500	1	roller				
57753800000	1	Retaining Washer DIN 6799-8-1.41				
50383650000	1	Buffer 12x11				

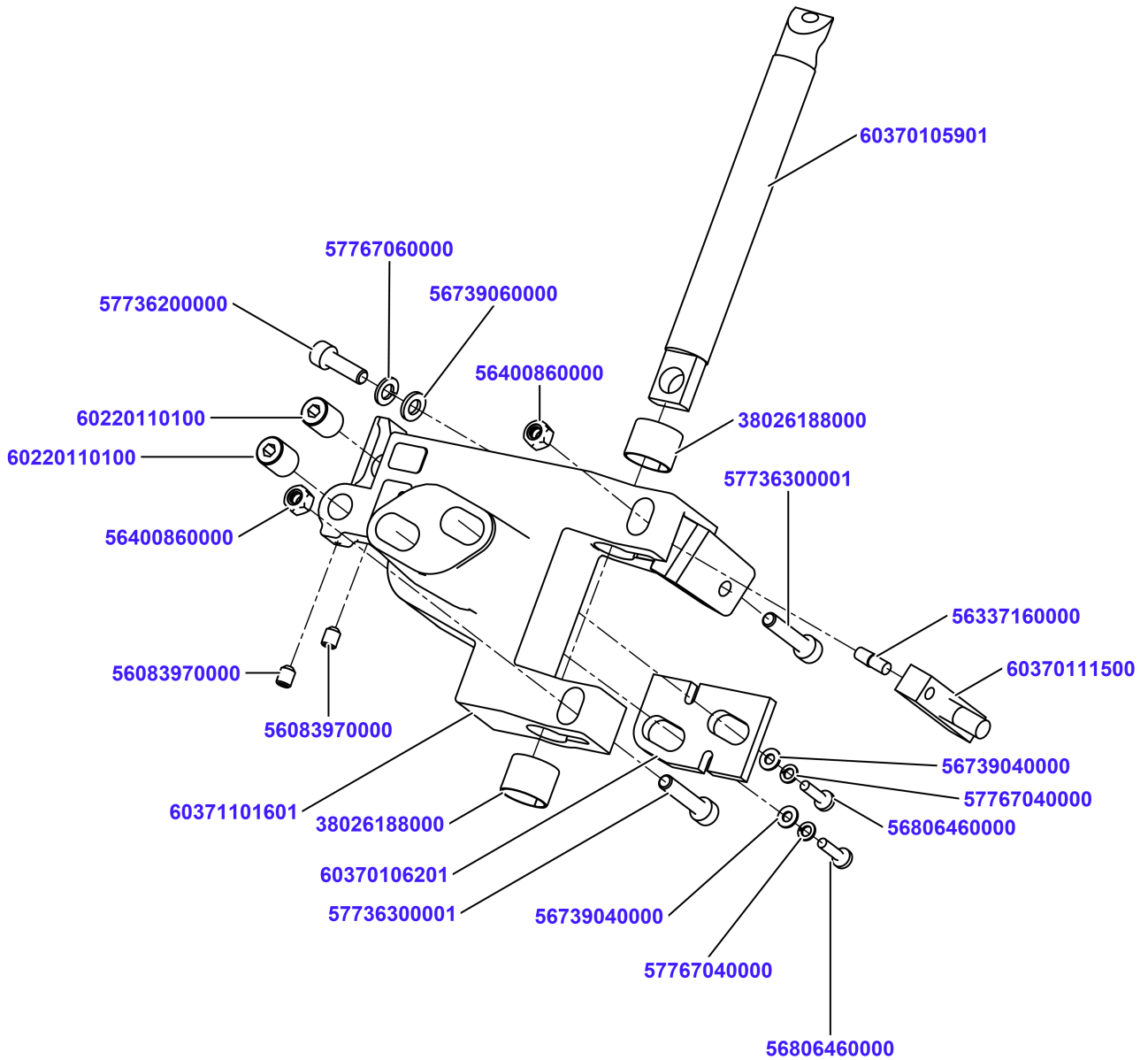
Bearing bracket, preass.



















Bearing bracket, preass.

Item	Material No.	Qty	Material description	available for order	Wear part	Recomm. sp. part	Metr. relevance
50-10	57744870000	007	Protective plug 10x5,2x3,1-PE	✓		✓	
360-240	60380101701	001	BEARING BRACKET PREASSY.	✓			
360-240	38023851000	001	Bearing bracket preass.	✓			
360-240-1	60371101601	001	BEARING BRACKET	✓			
360-240-1	38023848000	001	BEARING BRACKET	✓			
360-240-10	57736300001	002	Cylinder screw DIN912 M6x30-8.8	✓			
360-240-12	56400860000	002	Locknut DIN 985-M6-A2-70 56400860000	✓			
360-240-20	38026188000	002	Plain bearing 18x20x15	✓			
360-240-22	60370111500	001	lever preassy.	✓			
360-240-22-5	56150360000	001	PARALLEL PIN DIN 6325- 8M6X26- ST	✓			
360-240-23	56337160000	001	Grooved Pin DIN 1474-5x16 A2-70	✓			
360-240-24	57736200000	001	Cylinder screw DIN912 M6x20-8.8	✓			
360-240-26	57767060000	001	Spring lock washer DIN128-A6-FSt	✓			
360-240-27	56739060000	001	Washer DIN125-A-6-A2	✓			
360-240-30	60220110100	002	threaded pin	✓			
360-240-32	56083970000	002	Set screw DIN916 M6x8-45H	✓			
360-240-40	60370105901	001	shaft	✓			
360-240-50	60370106201	001	supporting plate	✓			
360-240-52	56806460000	002	Oval-head screw DIN7985 M4x16-A2-70	✓			
360-240-54	56739040000	002	Washer DIN 125-A 4.3-A2-70 56739040000	✓			
360-240-56	57767040000	002	Spring lock washer DIN128-A4-FSt	✓			
360-280	60370106100	001	SUPPORTING RAIL	✓			
360-522	60386100301	001	SWITCH S870+L500 03L1R032	✓			

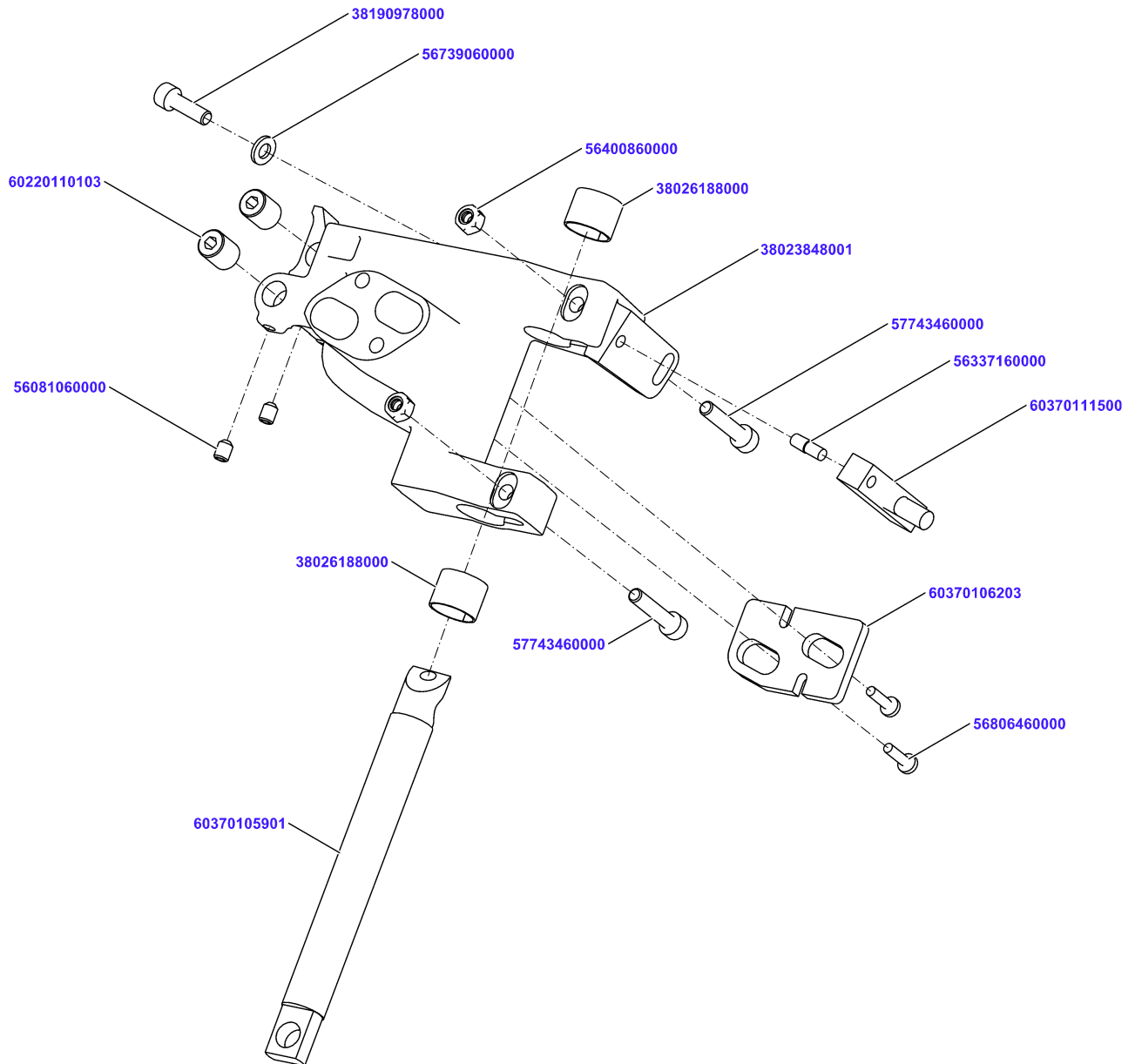
BEARING BRACKET PREASSY.
















BEARING BRACKET PREASSY.

Material No.	Qty	Material description	available for order	Wear part	Recomm. sp. part	Metr. relevance
60371101601	1	BEARING BRACKET				
57736300001	2	Cylinder screw DIN912 M6x30-8.8				
56400860000	2	Locknut DIN 985-M6-A2-70 56400860000				
38026188000	2	Plain bearing 18x20x15				
60370111500	1	lever preassy.				
56337160000	1	Grooved Pin DIN 1474-5x16 A2-70				
57736200000	1	Cylinder screw DIN912 M6x20-8.8				
57767060000	1	Spring lock washer DIN128-A6-FSt				
56739060000	1	Washer DIN125-A-6-A2				
60220110100	2	threaded pin				
56083970000	2	Set screw DIN916 M6x8-45H				
60370105901	1	shaft				
60370106201	1	supporting plate				
56806460000	2	Oval-head screw DIN7985 M4x16-A2-70				
56739040000	2	Washer DIN 125-A 4.3-A2-70 56739040000				
57767040000	2	Spring lock washer DIN128-A4-FSt				

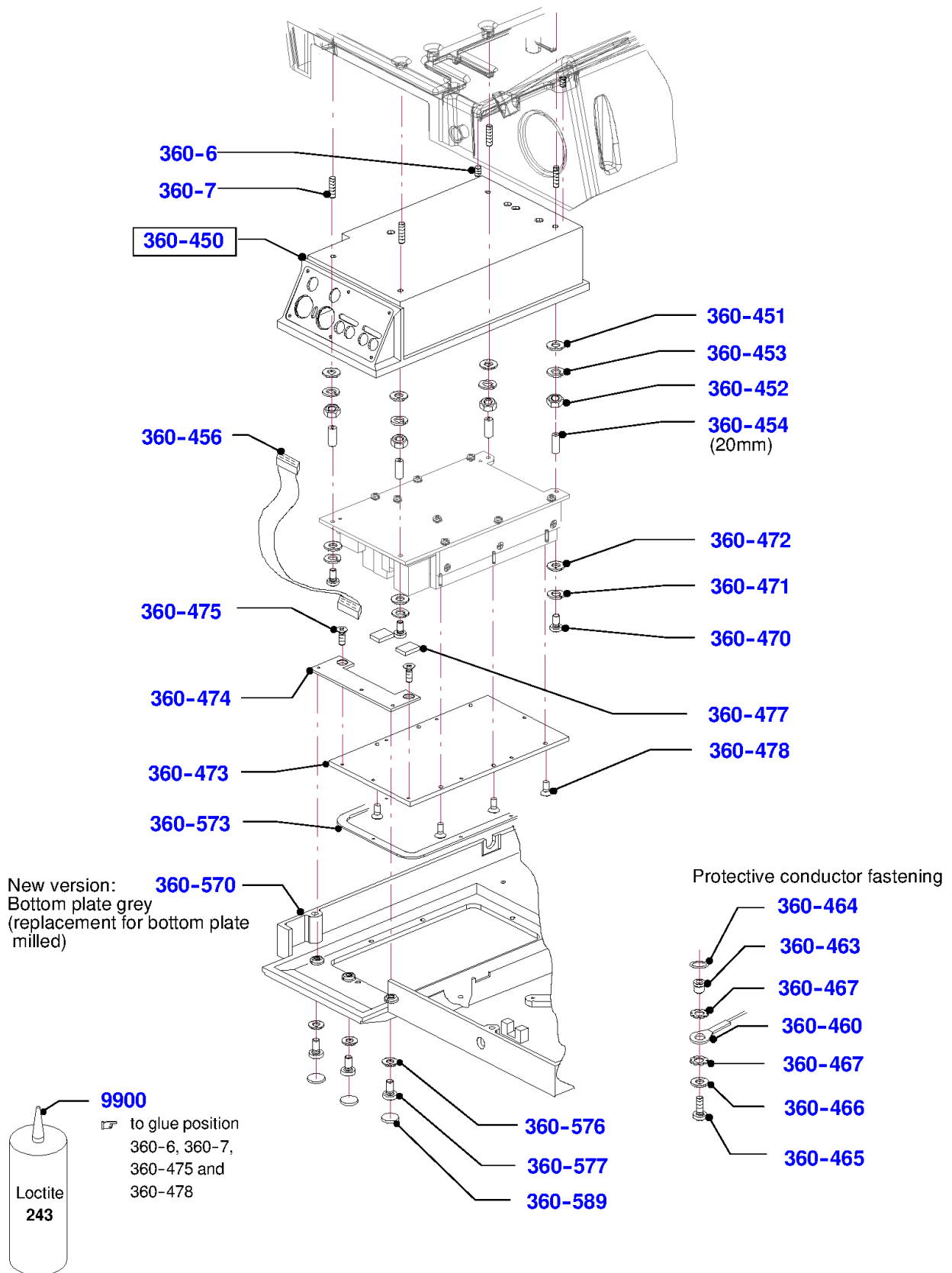
Bearing bracket press.



Bearing bracket preass.

Material No.	Qty	Material description	available for order	Wear part	Recomm. sp. part	Metr. relevance
38023848001	1	Bearing bracket GSP machined				
57743460000	2	Cylinder screw DIN912 M6x30-A2-70				
56400860000	2	Locknut DIN 985-M6-A2-70 56400860000				
38026188000	2	Plain bearing 18x20x15				
60370111500	1	lever preassy.				
56337160000	1	Grooved Pin DIN 1474-5x16 A2-70				
38190978000	1	Cylinder screw M6x20-A2-70 Precote 30-8				
56739060000	1	Washer DIN125-A-6-A2				
60220110103	2	Threaded Bolt M12x1 x 14				
56081060000	2	Set screw DIN916 M6x8-A2-70				
60370105901	1	shaft				
60370106203	1	Supporting plate				
56806460000	2	Oval-head screw DIN7985 M4x16-A2-70				

Housing preass., electronics, cooling plate



Housing preass., electronics, cooling plate

Item	Material No.	Qty	Material description	available for order	Wear part	Recomm. sp. part	Metr. relevance
360-6	56083390000	002	Set screw ISO4026 M4x16-A2-70				
360-7	56032250000	004	SETSCREW DIN 551- M4X25- 14H				
360-450	60380314112	001	HOUSING PREASS. WITHOUT DEC. FOIL				
360-450	60380315000	001	HOUSING PREASS. WITHOUT DEC. FOIL ILLU				
360-451	56739040000	004	Washer DIN 125-A 4.3-A2-70 56739040000				
360-452	56456400000	004	Hexagon nut DIN934-M4-A2				
360-453	57767040000	004	Spring lock washer DIN128-A4-FSt				
360-454	38004288000	004	STUD				
360-456	60386103000	001	KA FL 8X1,27 0,31M				
360-460	60386120100	001	Ka Li GN/YE AWG16 0,13m				
360-463	60380314801	002	PROTECTIVE CONDUCTOR BUSHING				
360-464	50001940000	002	O- SEAL 6X3				
360-465	56818470000	002	SELF- TAPPING SCREW CM4X16T20				
360-466	56739040000	002	Washer DIN 125-A 4.3-A2-70 56739040000				
360-467	57758610000	004	Toothed washer DIN6797-A 4,3-Fst				
360-470	56806430000	004	Oval-head screw DIN7985 M4x10-A2-70				
360-471	57767040000	004	Spring lock washer DIN128-A4-FSt				
360-472	56739040000	004	Washer DIN 125-A 4.3-A2-70 56739040000				
360-473	38004285000	001	COOLING PLATE				
360-474	38004280000	001	FASTENING PLATE				
360-475	57451240000	002	Countersunk screw DIN965 M4x6-A2-70				
360-477	38008483000	002	HEATPAD				
360-478	57451200000	006	Countersunk screw DIN965 M4x10-A2-70				
360-570	60380315703	001	BOTTOM PLATE GREY				
360-573	38009693000	001	GASKET COOLING PLATE				
360-576	56739040000	003	Washer DIN 125-A 4.3-A2-70 56739040000				
360-577	56806430000	003	Oval-head screw DIN7985 M4x10-A2-70				
360-589	60140000601	003	Washer 10.9 x 2				
9900	95972940000	001	LOCTITE 243 10ML				

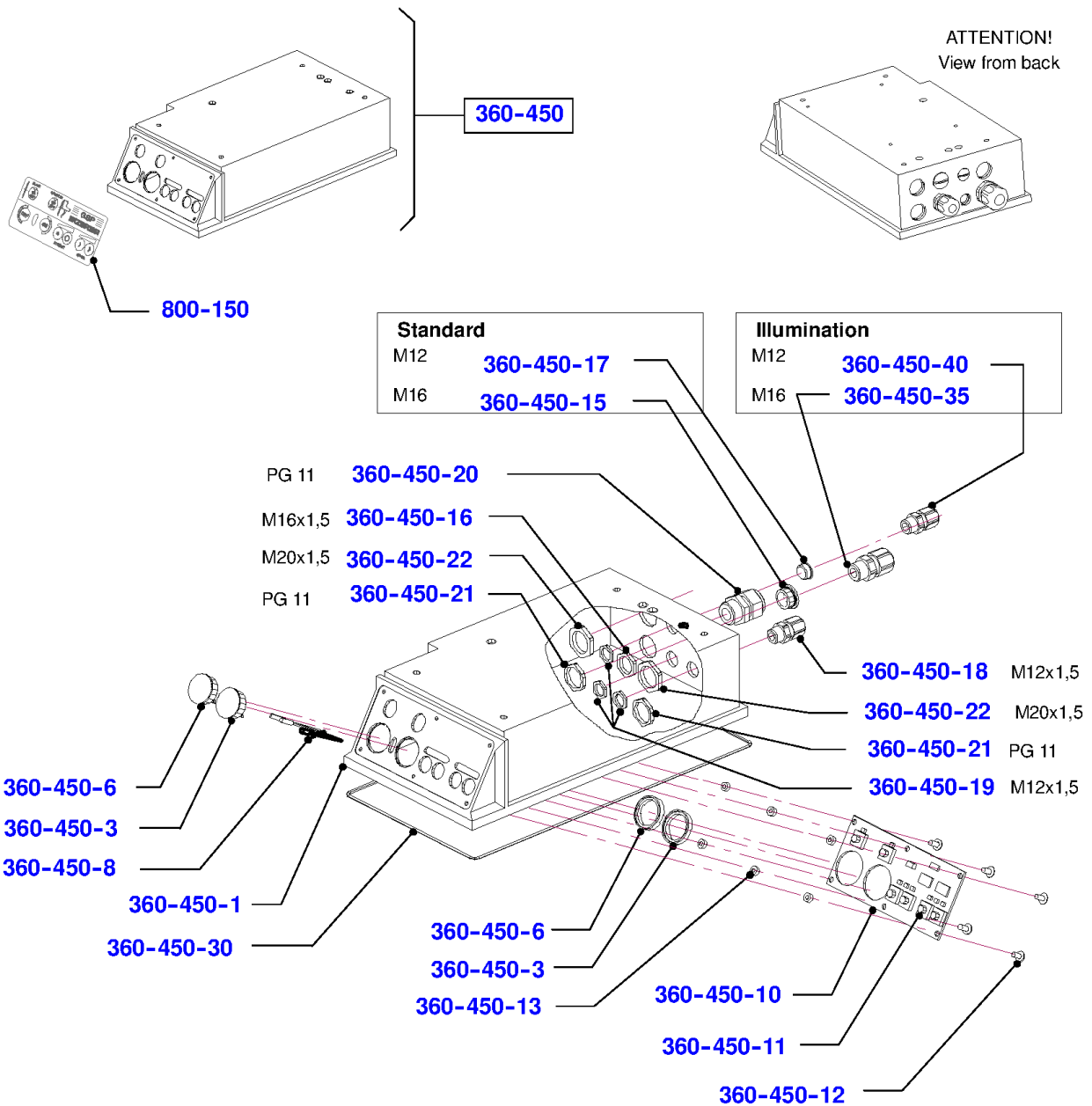
Housing preass., electronics, cooling plate

Housing preass., without deco foil - Standard or Illumination

Housing preass., without deco foil - Standard or Illumination



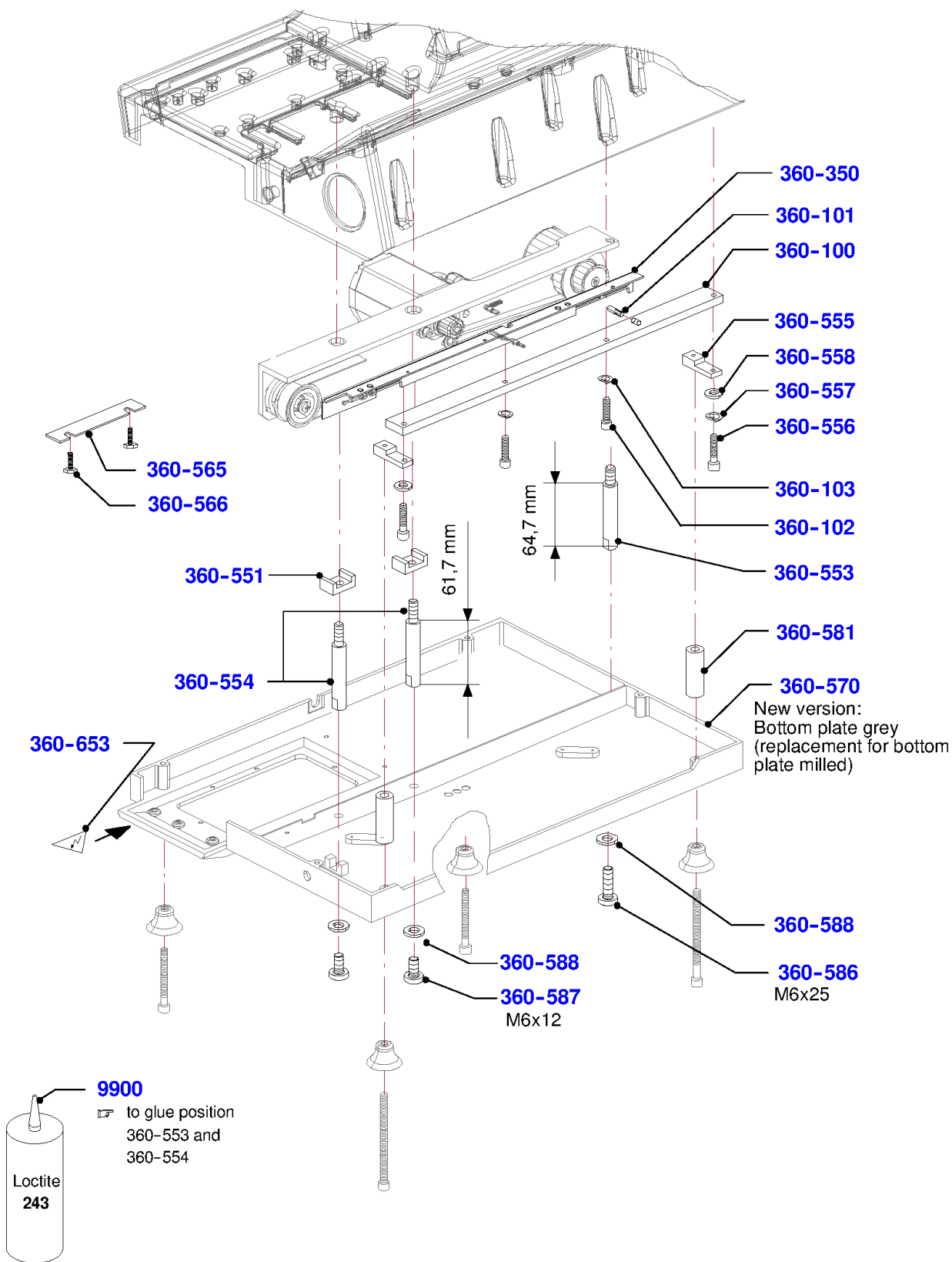
ATTENTION!
View from back
























Housing preass., electronics, cooling plate

Item	Material No.	Qty	Material description	available for order	Wear part	Recomm. sp. part	Metr. relevance
360-450	60380314112	001	HOUSING PREASS. WITHOUT DEC. FOIL	✓			
360-450	60380315000	001	HOUSING PREASS. WITHOUT DEC. FOIL ILLU	✓			
360-450-1	60380315605	001	HOUSING GREY	✓			
360-450-3	71027230000	001	MAIN KEY ON	✓		✓	
360-450-6	71027210000	001	MAIN KEY OFF	✓		✓	
360-450-8	60386102001	001	CABLE CPU- ON/OFF SE12 D	✓			
360-450-10	60385110150	001	PCBA HMI SE12D	✓		✓	
360-450-11	71960100000	006	KEY CAP FOR SMS- PUSHBUTTON	✓			
360-450-12	57465130000	006	Plastic screw 4x8-St-T20	✓			
360-450-13	38011961000	006	SPACER RING	✓			
360-450-15	71066170000	001	Blind plug BLK- M16	✓			
360-450-16	71162160000	001	Nut M16x1.5	✓			
360-450-17	71066120000	001	Screw Plug BLK-M12 71066120000	✓			
360-450-18	71010810000	001	Cable Gland M12x1,5 UL	✓			
360-450-19	71162150000	003	Nut M12x1.5	✓			
360-450-20	71011620000	001	Cable Gland ST11 UL53015020	✓			
360-450-21	71161110000	002	Nut PG 11 DIN 46320 CuZn39Pb3	✓			
360-450-22	71162200000	002	Nut M20x1.5	✓			
360-450-30	60380313900	001	SILICON TUBE 900 MM	✓			
360-450-35	71010820000	001	Cable Gland M16 UL 53111010	✓			
360-450-40	71011000000	001	Cable Gland STR-M12 UL 53111100	✓			
800-150	60386400403	001	DECO FOIL	✓			
800-150	60386400600	001	DECO FOIL FRA	✓			
800-150	38036739000	001	DECO FOIL GSP HD BR	✓			

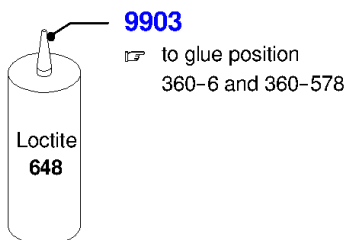
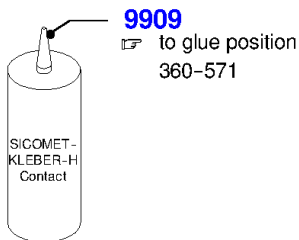
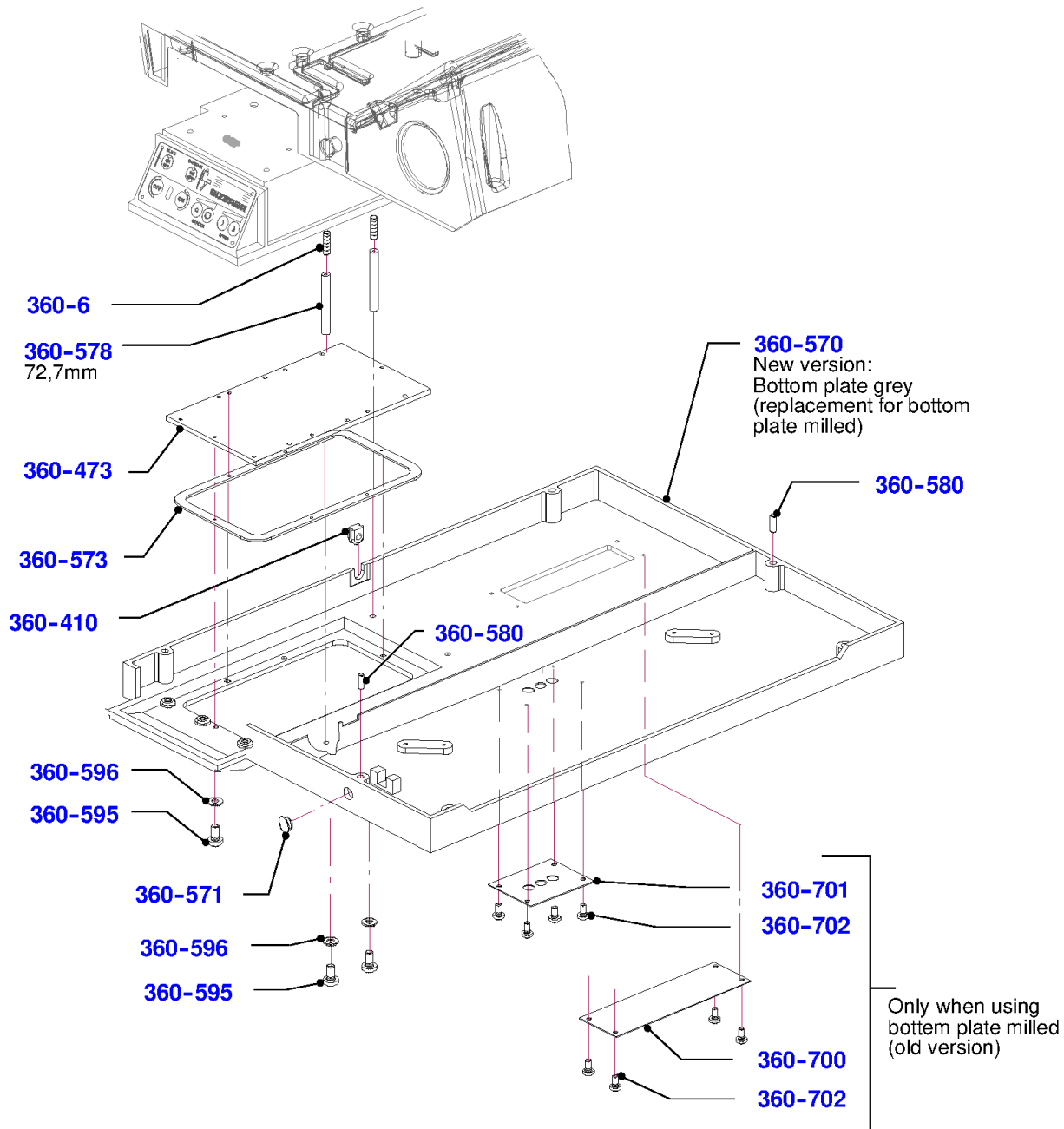
Fastening carriage drive, guide rail, rubber foot



Fastening carriage drive, guide rail, rubber foot

Item	Material No.	Qty	Material description	available for order	Wear part	Recomm. sp. part	Metr. relevance
360-100	60370107100	001	GUIDE RAIL				
360-101	56338240000	001	Grooved Pin DIN 1474-6x24 A2-70				
360-102	57743440000	002	Socket Head Screw DIN 912-M6x25-A2-70				
360-103	57767060000	002	Spring lock washer DIN128-A6-FSt				
360-350	60384102101	001	SENSOR SUPPORT				
360-551	60380303502	002	PLATE				
360-553	60380312301	001	BOLT				
360-554	60380311201	002	BOLT				
360-555	60380312201	002	BASE PLATE				
360-556	57736300001	002	Cylinder screw DIN912 M6x30-8.8				
360-557	57767060000	002	Spring lock washer DIN128-A6-FSt				
360-558	56739060000	002	Washer DIN125-A-6-A2				
360-565	60380102301	001	FISH PLATE				
360-566	57429060000	002	Hexagon screw DIN933 M4x6 A2-70				
360-570	60380315703	001	BOTTOM PLATE GREY				
360-581	60380311501	002	spacer				
360-586	56806700000	001	Oval-head screw DIN7985 M6x25-A2-70				
360-587	56806650000	002	Oval-head screw DIN7985 M6x12-A2-70				
360-588	56739060000	003	Washer DIN125-A-6-A2				
360-653	51977600000	001	Warning plate with danger arrow 50				
9900	95972940000	001	LOCTITE 243 10ML				

Bottom plate and accessories



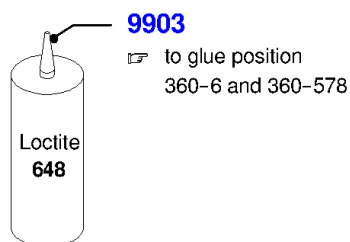
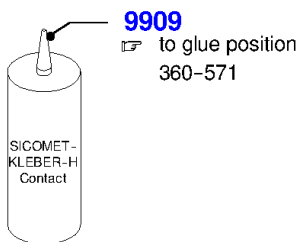
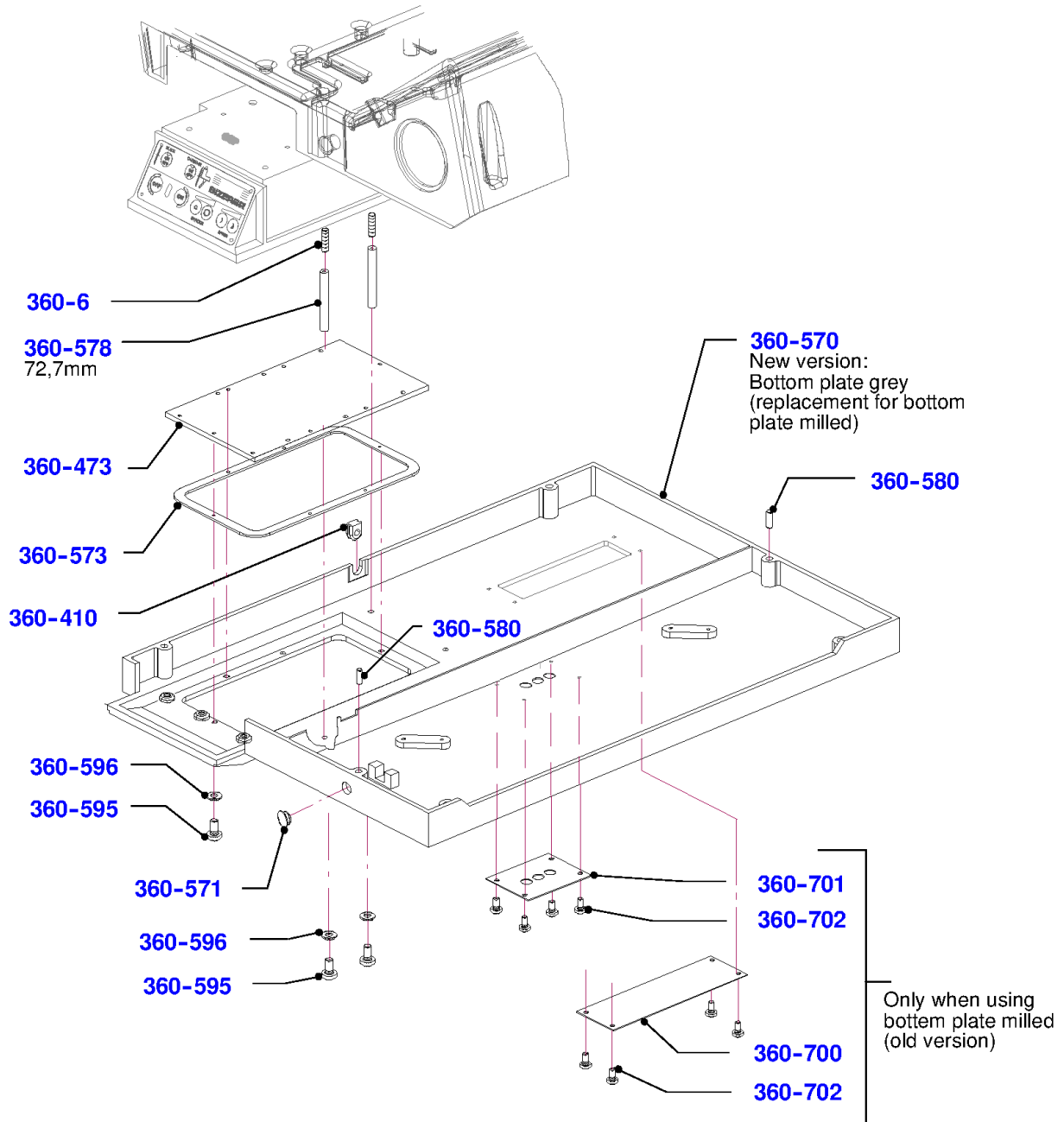
360-653

360-406

Bottom plate and accessories

Item	Material No.	Qty	Material description	available for order	Wear part	Recomm. sp. part	Metr. relevance
360-6	56083390000	002	Set screw ISO4026 M4x16-A2-70	✓			
360-406	51975600000	001	Information Sign disconnect the Plug	✓			
360-410	60380315801	001	Rubber Bush	✓			
360-473	38004285000	001	COOLING PLATE	✓			
360-570	60380315703	001	BOTTOM PLATE GREY	✓			
360-571	38007516000	001	PROTECTIVE PLUG, KNURLED GREY	✓			
360-573	38009693000	001	GASKET COOLING PLATE	✓			
360-578	60380314501	002	SPACER	✓			
360-580	56187990000	002	Cylindrical pin EN 22338-6m6x16-A2	✓			
360-595	56806430000	009	Oval-head screw DIN7985 M4x10-A2-70	✓			
360-596	56739040000	009	Washer DIN 125-A 4.3-A2-70 56739040000	✓			
360-653	51977600000	001	Warning plate with danger arrow 50	✓			
360-700	38008874000	001	COVER	✓			
360-701	38008873000	001	DRAIN SHEET	✓			
360-702	57465130000	008	Plastic screw 4x8-St-T20	✓			
9903	95972840000	001	LOCTITE 648 10M	✓			
9909	95972710002	001	SICOMET 50 50G	✓			

Bottom plate and accessories



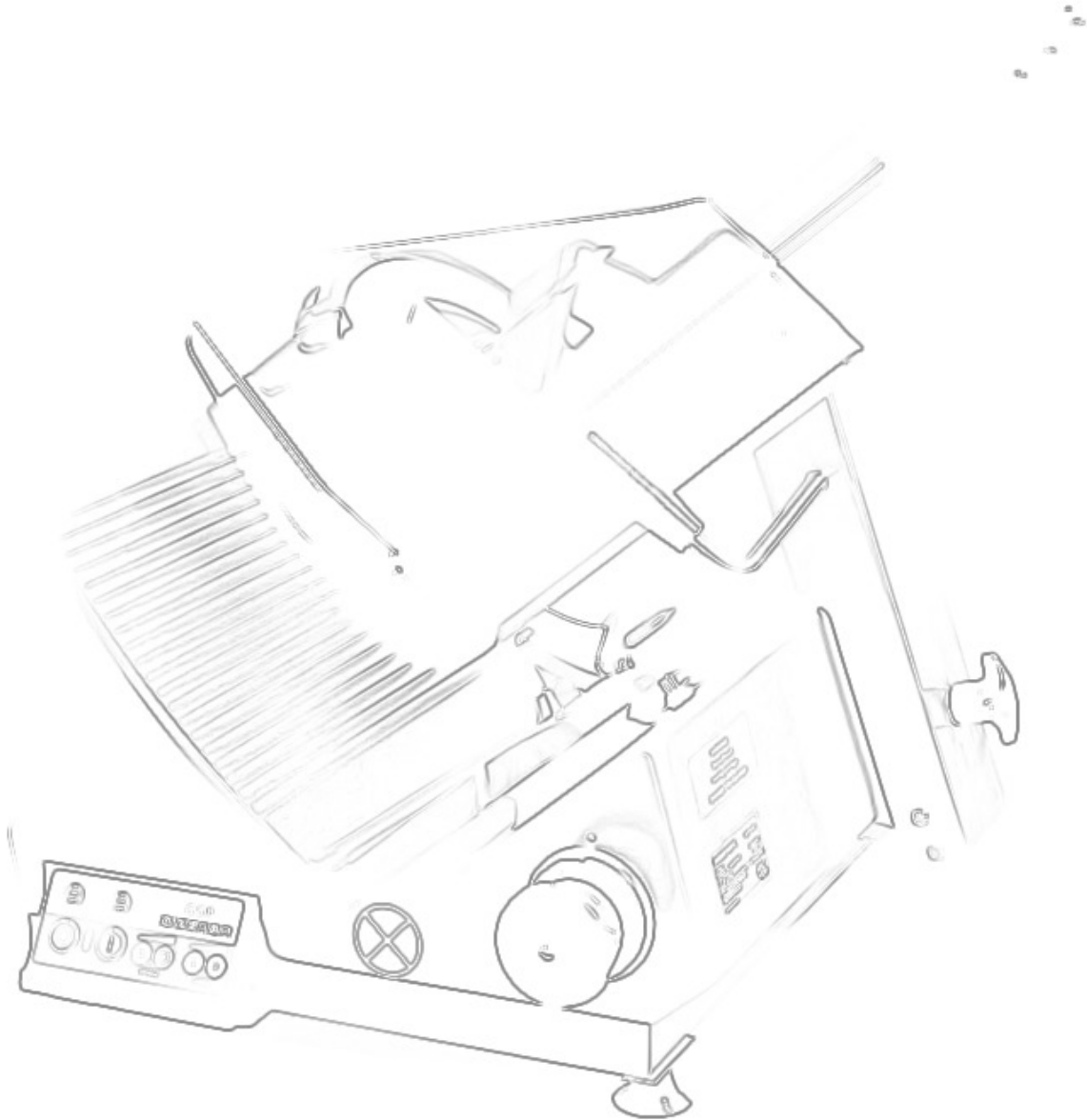
360-653

360-406

Bottom plate and accessories

Item	Material No.	Qty	Material description	available for order	Wear part	Recomm. sp. part	Metr. relevance
360-6	56083390000	002	Set screw ISO4026 M4x16-A2-70	✓			
360-406	51975600000	001	Information Sign disconnect the Plug	✓			
360-410	60380315801	001	Rubber Bush	✓			
360-473	38004285000	001	COOLING PLATE	✓			
360-570	60380315703	001	BOTTOM PLATE GREY	✓			
360-571	38007516000	001	PROTECTIVE PLUG, KNURLED GREY	✓			
360-573	38009693000	001	GASKET COOLING PLATE	✓			
360-578	60380314501	002	SPACER	✓			
360-580	56187990000	002	Cylindrical pin EN 22338-6m6x16-A2	✓			
360-595	56806430000	009	Oval-head screw DIN7985 M4x10-A2-70	✓			
360-596	56739040000	009	Washer DIN 125-A 4.3-A2-70 56739040000	✓			
360-653	51977600000	001	Warning plate with danger arrow 50	✓			
360-700	38008874000	001	COVER	✓			
360-701	38008873000	001	DRAIN SHEET	✓			
360-702	57465130000	008	Plastic screw 4x8-St-T20	✓			
9903	95972840000	001	LOCTITE 648 10M	✓			
9909	95972710002	001	SICOMET 50 50G	✓			

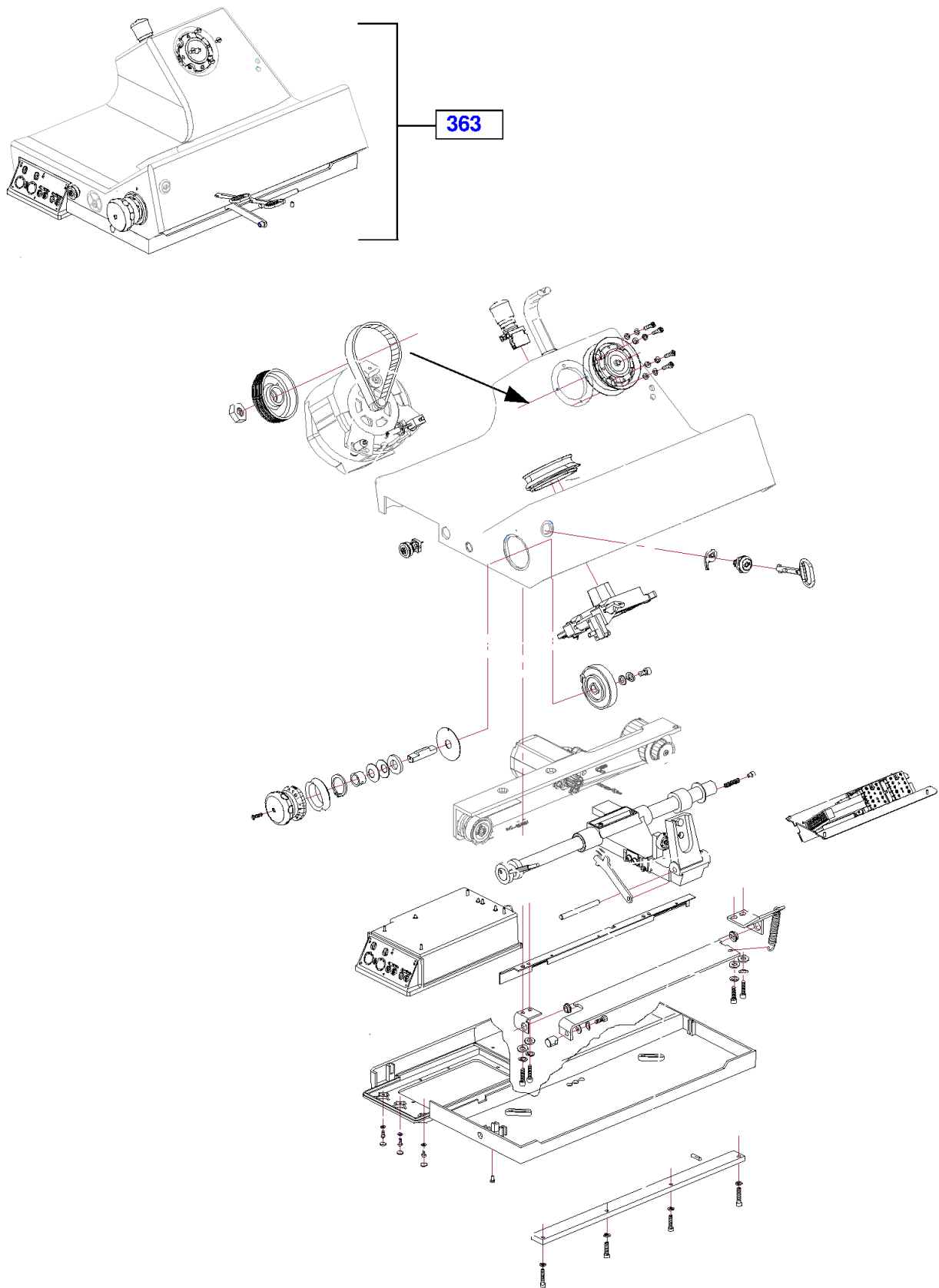
Basic components GSP HD BR




Basic components GSP HD BR

Item	Material No.	Qty	Material description	available for order	Wear part	Recomm. sp. part	Metr. relevance
NaviHotspot	...		Assembly overview				
NaviHotspot	...		Machine housing, blade bearing preass., belt pulley and accessories				
NaviHotspot	...		Off/emergency - switch red yellow, push button emergency stop				
NaviHotspot	...		Motor fastening and belt tension				
NaviHotspot	...		Rotary knob and load arm				
NaviHotspot	...		Carriage guide, sensor support, rail, angle and locking slider				
NaviHotspot	...		Bottom plate and accessories				
NaviHotspot	...		Housing preass. - BR				
NaviHotspot	...		Electronic and cables				
NaviHotspot	...		Fastening carriage drive, rubber foot				
11-450-16	71162160000	001	Nut M16x1.5				
11-450-17	71066120000	001	Screw Plug BLK-M12 71066120000				
11-450-18	71010810000	001	Cable Gland M12x1,5 UL				
11-450-19	71162150000	003	Nut M12x1.5				
11-450-20	71011620000	001	Cable Gland ST11 UL53015020				
11-450-21	71161110000	002	Nut PG 11 DIN 46320 CuZn39Pb3				
11-450-22	71162200000	002	Nut M20x1.5				
11-450-25	60386400403	001	DECO FOIL				
11-450-30	60380313900	001	SILICON TUBE 900 MM				

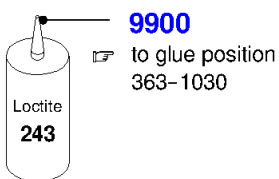
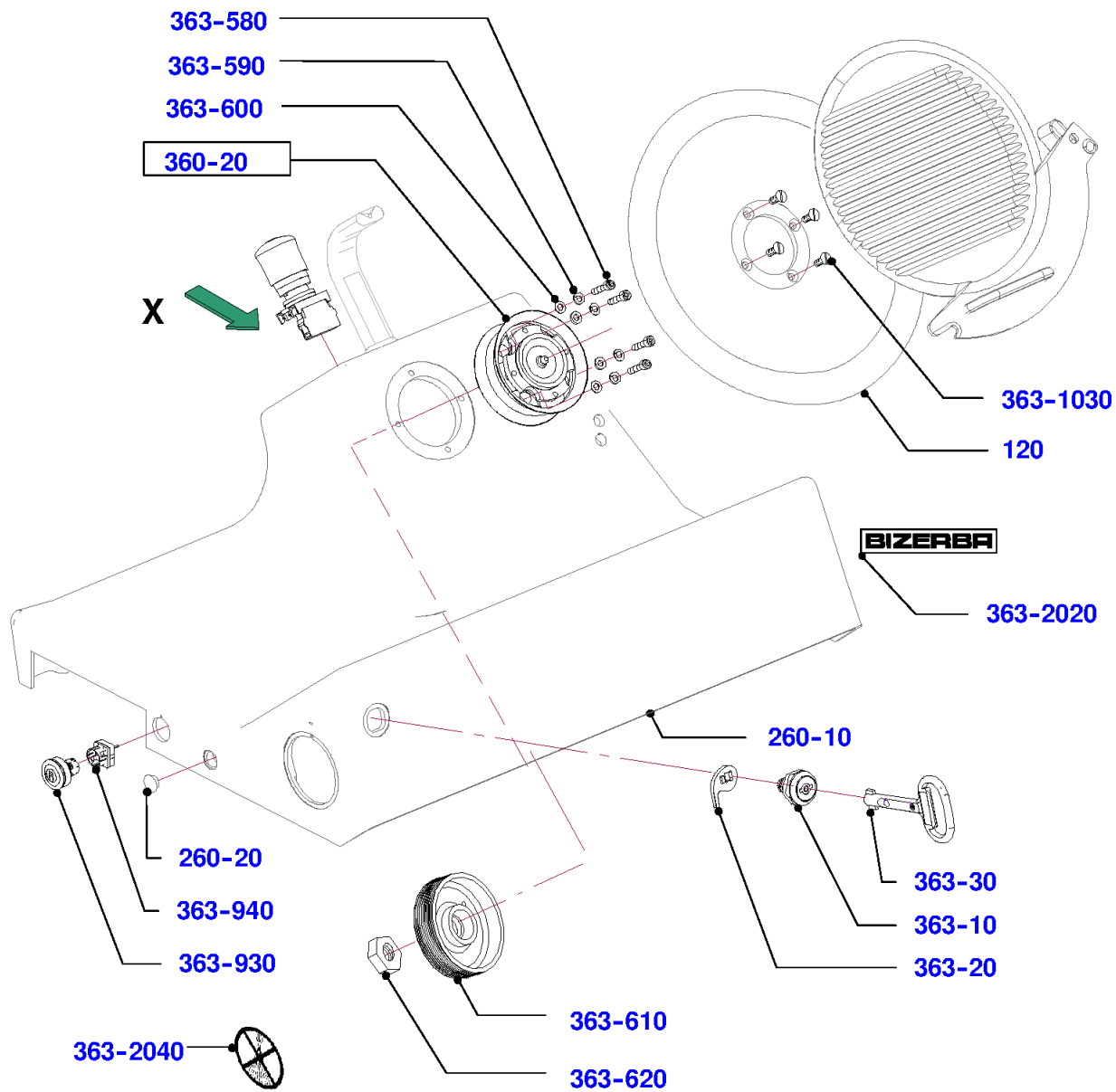
Assembly overview



Assembly overview

Item	Material No.	Qty	Material description	available for order	Wear part	Recomm. sp. part	Metr. relevance
363	60388036201	001	BASIC COMPONENTS GSP HD BR				

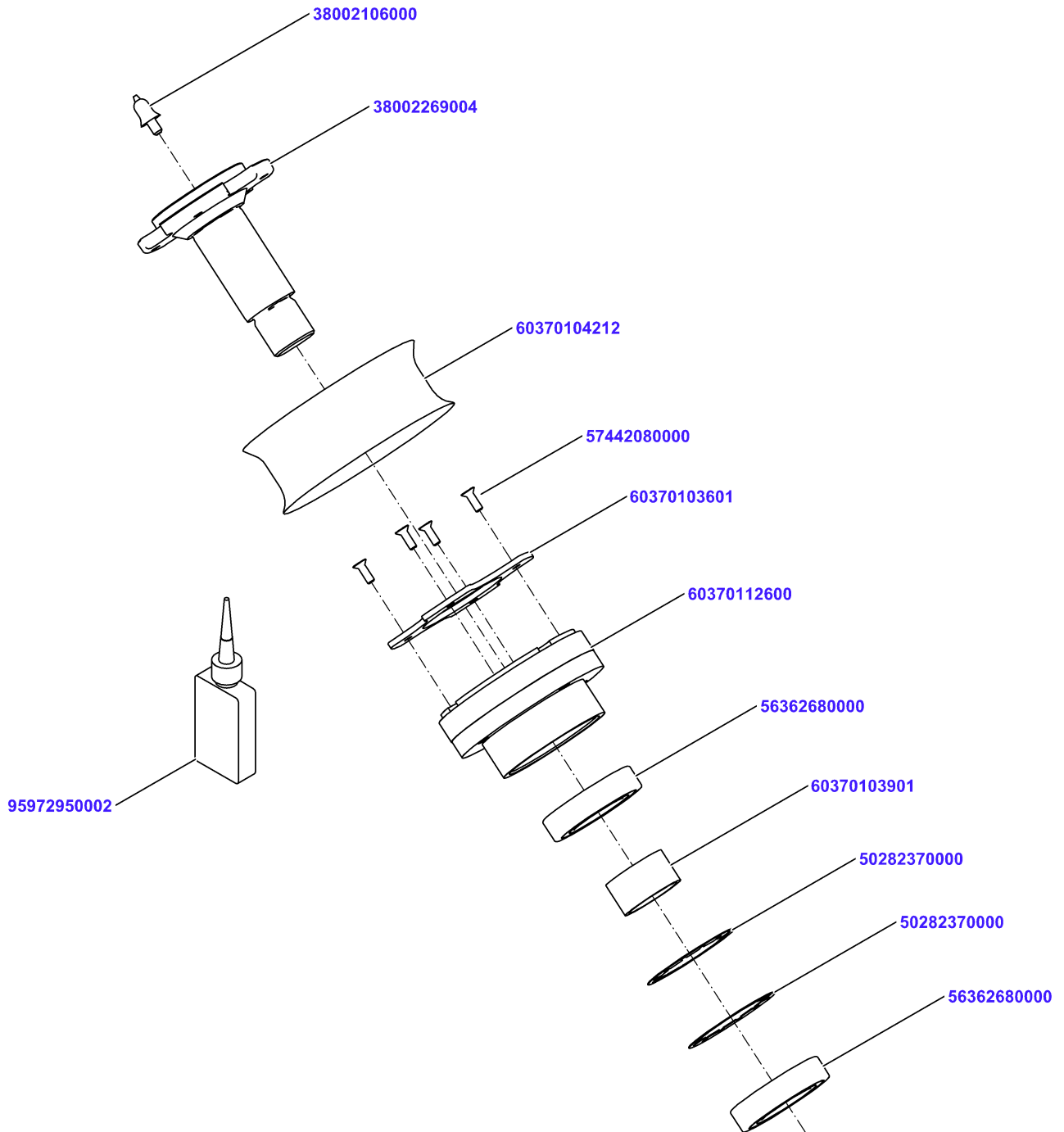
Machine housing, blade bearing preass., belt pulley and accessories













Machine housing, blade bearing preass., belt pulley and accessories

Item	Material No.	Qty	Material description	available for order	Wear part	Recomm. sp. part	Metr. relevance
120	38067777000	001	BLADE 330 C SLAYER - SERVICE	✓			
120	94001000017	001	BLADE CHEESE, VS8/SE8/VF330/A330 G+B.	✓			
120	94001000013	001	BLADE, 4- HOLE, VS8/SE8/VF330/A330/A400 RA	✓			
120	94001000059	001	Bread blade 330 C teethed Service	✓			
260-10	60381600101	001	MACHINE HOUSING RAISED LIP	✓			
260-10	60381690101	001	MACHINE HOUSING RAISED LIP C	✓			
260-10	60380340102	001	MACHINE HOUSING RAISED LIP BR	✓			
260-20	56777181000	002	Sealing washer DIN470 18-AI	✓			
260-20	38017693000	002	Verschlussscheibe C Nachfolg 56777181000	✓			
360-20	38002647001	001	Blade bearing preass.	✓			
363-10	38059802000	001	SAFETY TURNING BOLT	✓			
363-20	38059703002	001	BOLT GSP BRAZIL	✓			
363-30	38059809000	002	TWO- WAY KEY BIT 5MM FORM A	✓			
363-580	57743440000	004	Socket Head Screw DIN 912-M6x25-A2-70	✓			
363-590	57767060000	004	Spring lock washer DIN128-A6-FSt	✓			
363-600	56739060000	004	Washer DIN125-A-6-A2	✓			
363-610	60370104100	001	Belt pulley PolyV	✓			
363-620	60370104301	001	HEXAGONAL NUT	✓			
363-930	38012263000	001	ACTUATOR BLACK	✓			
363-940	38012265000	001	CONTACT BLOCKS 1XINVERTER	✓			
363-1030	57630620000	004	Countersunk screw DIN963 M6x12-A2-70	✓			
363-2020	60800116900	001	Bizerba character font	✓			
363-2040	60544808100	001	REFERENCE PLATE "DO NOT CLEAN WITH HOSE"	✓			
9900	95972940000	001	LOCTITE 243 10ML	✓			

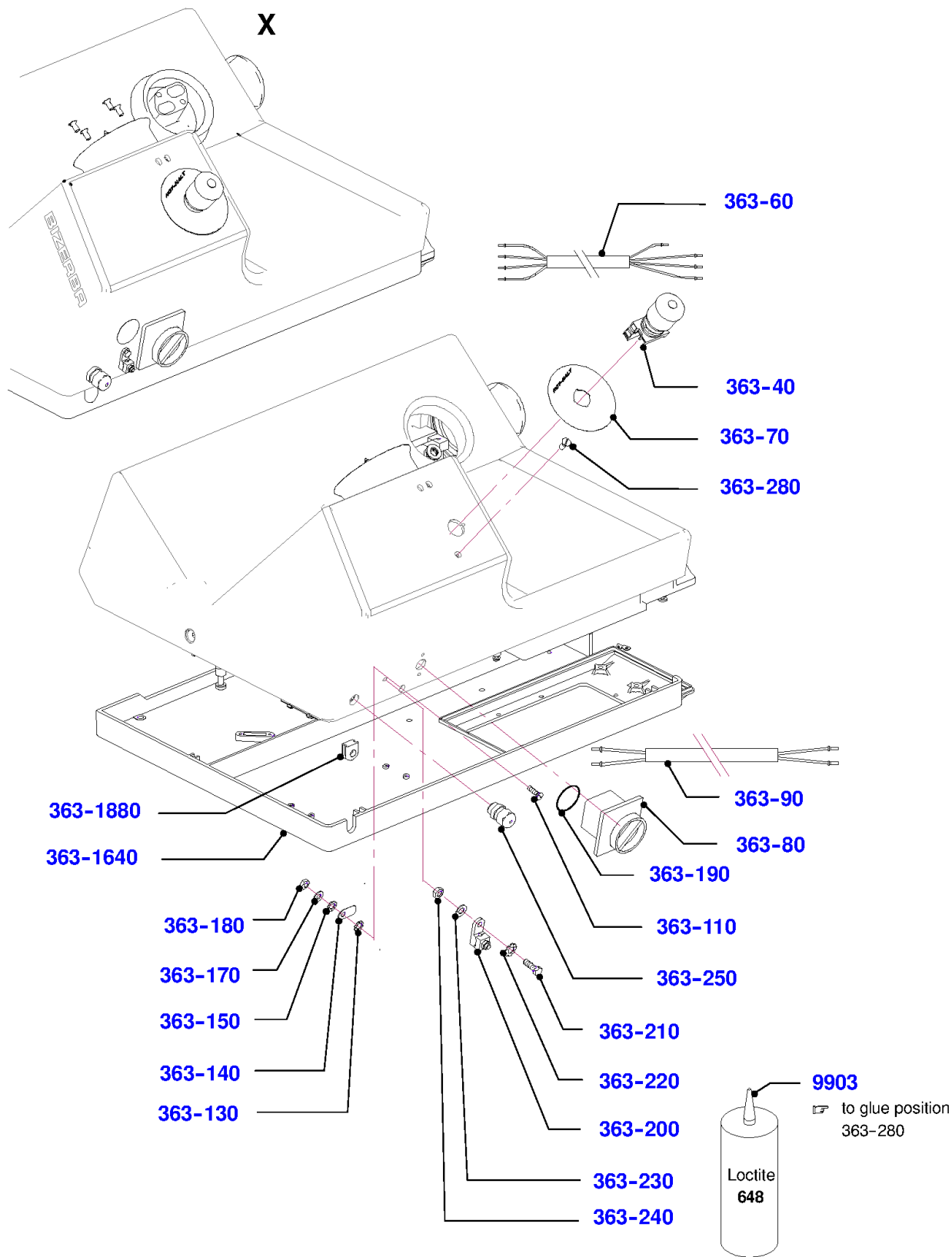
Blade bearing preass.



Blade bearing preass.

Material No.	Qty	Material description	available for order	Wear part	Recomm. sp. part	Metr. relevance
60370112600	1	Bearing bushing 90x46				
56362680000	2	Grooved ball bearing 30x55x13 6006-2NSE9				
60370103901	1	Spacer ring 19mm				
50282370000	2	Disc spring 54,5x40,5x0,45				
60370103601	1	retaining ring				
57442080000	4	Countersunk Screw DIN7991 M4x12-A2-70				
38002269004	1	Blade shaft				
38002106000	1	Shoring bolt				
95972950002	0,001	Loctite 243 50 ml 95972950002				
60370104212	1	Sealing ring blade 108x84x40				

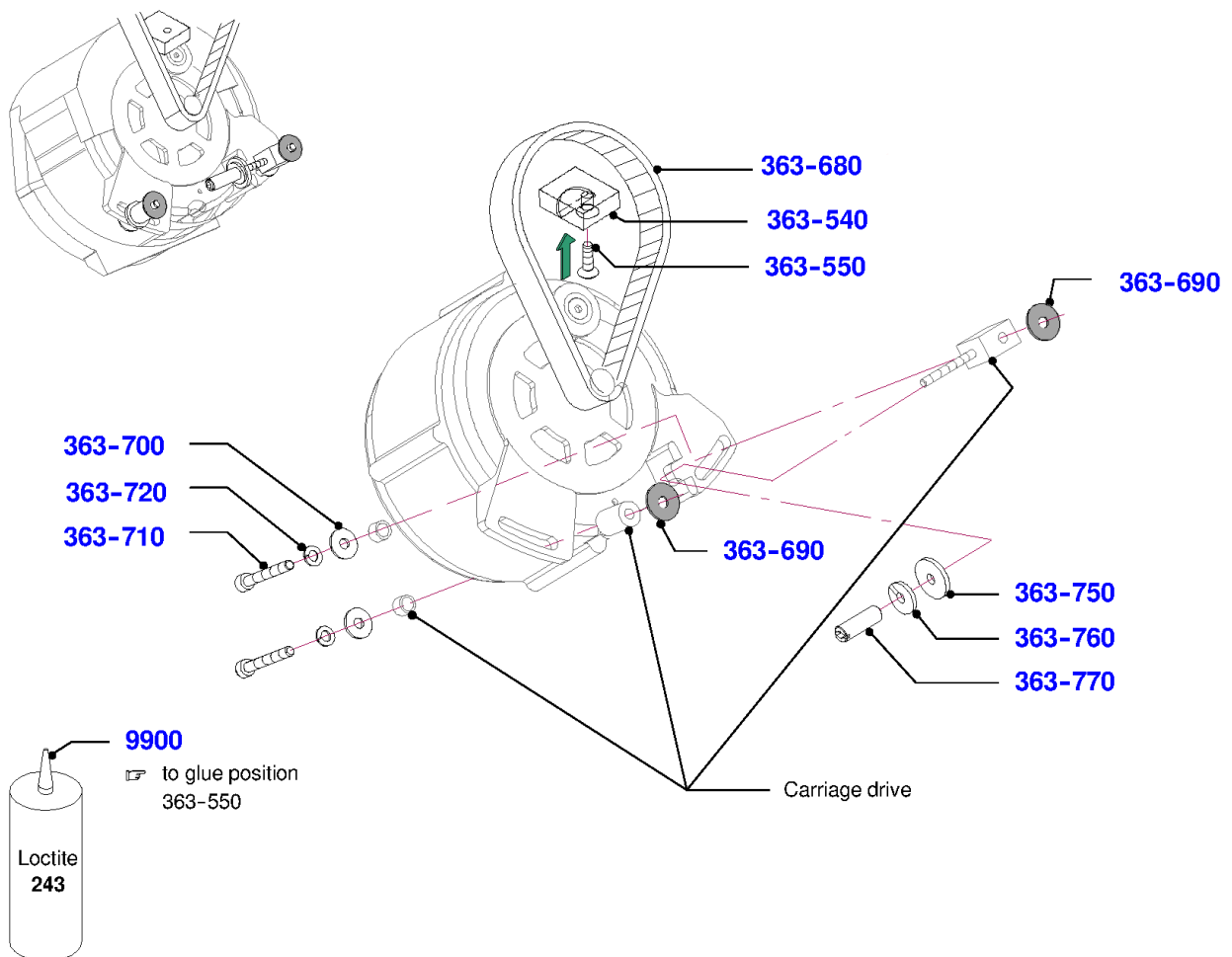
Off/emergency - switch red yellow, push button emergency stop



Off/emergency - switch red yellow, push button emergency stop

Item	Material No.	Qty	Material description	available for order	Wear part	Recomm. sp. part	Metr. relevance
363-40	38057481000	001	Push Button Emergency Stop M22-PV/K01				
363-60	38062854000	001	KA RD 5G0,5 0,98M				
363-70	38057418000	001	EMERGENCY LABEL DE, EN, ES, PT				
363-80	71217390000	001	Off/Emergency-Switch red yellow				
363-90	38062877000	001	KA RD 2X0,75 0,68M				
363-110	57630450000	001	Countersunk Screw DIN963 M4x16-A2-70				
363-130	57758610000	001	Toothed washer DIN6797-A 4,3-Fst				
363-140	50250100000	001	Grounding Plate 9x17/4.3 D				
363-150	57758610000	001	Toothed washer DIN6797-A 4,3-Fst				
363-170	56739040000	001	Washer DIN 125-A 4.3-A2-70 56739040000				
363-180	56456400000	001	Hexagon nut DIN934-M4-A2				
363-190	38060800000	001	Label Potential Equalization				
363-200	38060694000	001	Ground Terminal 10mm2				
363-210	57430160000	001	Hexagon Screw DIN 933-M5x16-A2				
363-220	57758620000	001	Toothed Washer DIN 6797-A 5_3-FS				
363-230	56739050000	001	Washer DIN 125-A 5_3 -A2-70 56739050000				
363-240	56456500000	001	Hexagon Nut DIN 934-M5-A2-70				
363-250	71010820000	001	Cable Gland M16 UL 53111010				
363-280	57630430000	001	Countersunk Screw DIN 963-M4x10-A2-70				
363-1640	60380315703	001	BOTTOM PLATE GREY				
363-1880	60820315800	001	rubber bushing				
9903	95972840000	001	LOCTITE 648 10M				

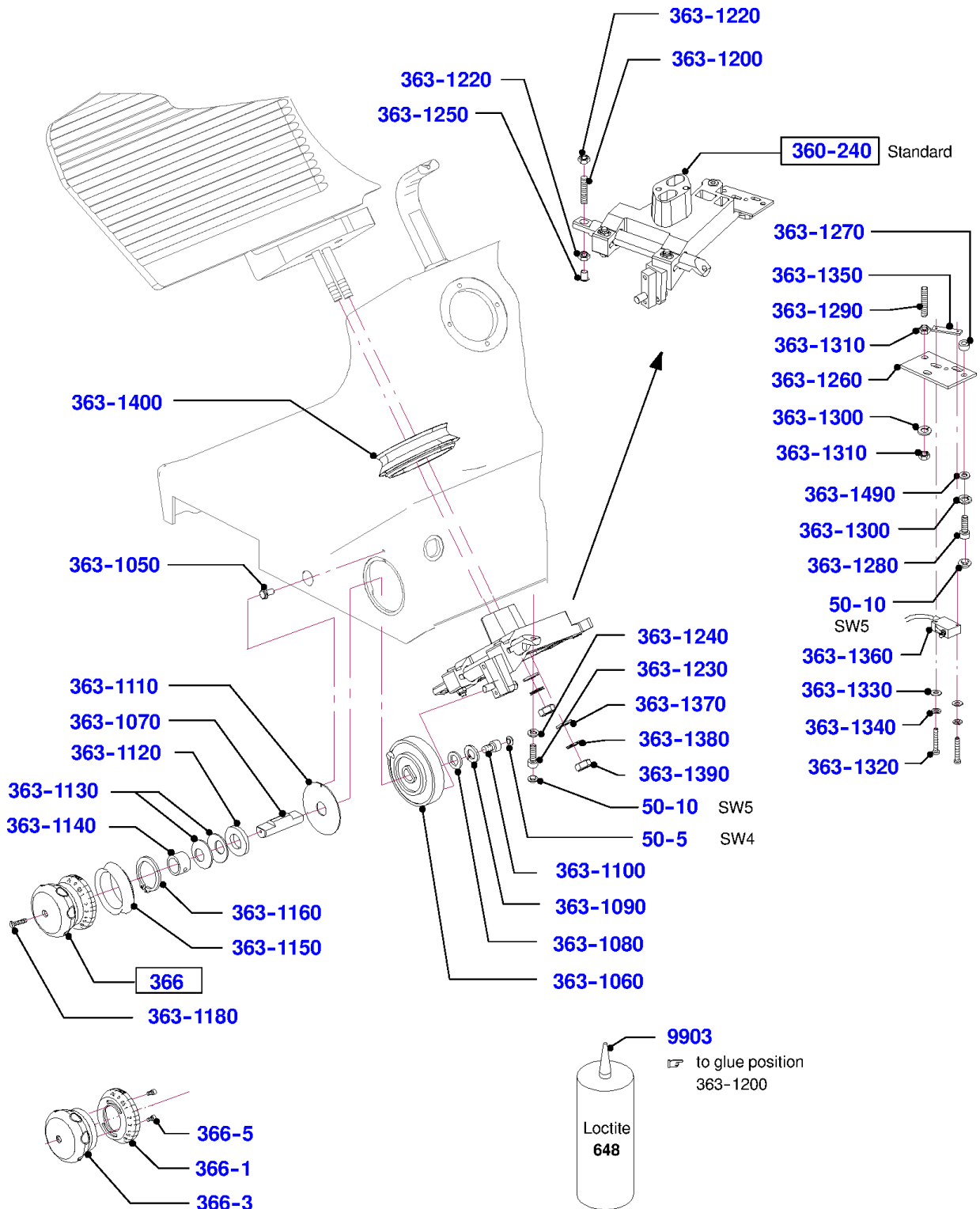
Motor fastening and belt tension



Motor fastening and belt tension

Item	Material No.	Qty	Material description	available for order	Wear part	Recomm. sp. part	Metr. relevance
363-540	60370103001	001	Retaining 12x35x30	✓			
363-550	57442170000	001	Countersunk screw DIN7991 M6x20-A2-70	✓			
363-680	50009811000	001	V-ribbed belt 10 PJ 406	✓	✓	✓	
363-690	40110000099	002	Washer 22x6,5x1,5	✓			
363-700	56765060000	002	Washer DIN9021-6-A2	✓			
363-710	57736450000	002	SOCKET HEAD SCREW DIN 912- M 6X45- 8.8	✓			
363-720	57767060000	002	Spring lock washer DIN128-A6-FSt	✓			
363-750	60220200601	001	washer	✓			
363-760	57767060000	001	Spring lock washer DIN128-A6-FSt	✓			
363-770	60370109701	001	clamping nut	✓			
9900	95972940000	001	LOCTITE 243 10ML	✓			

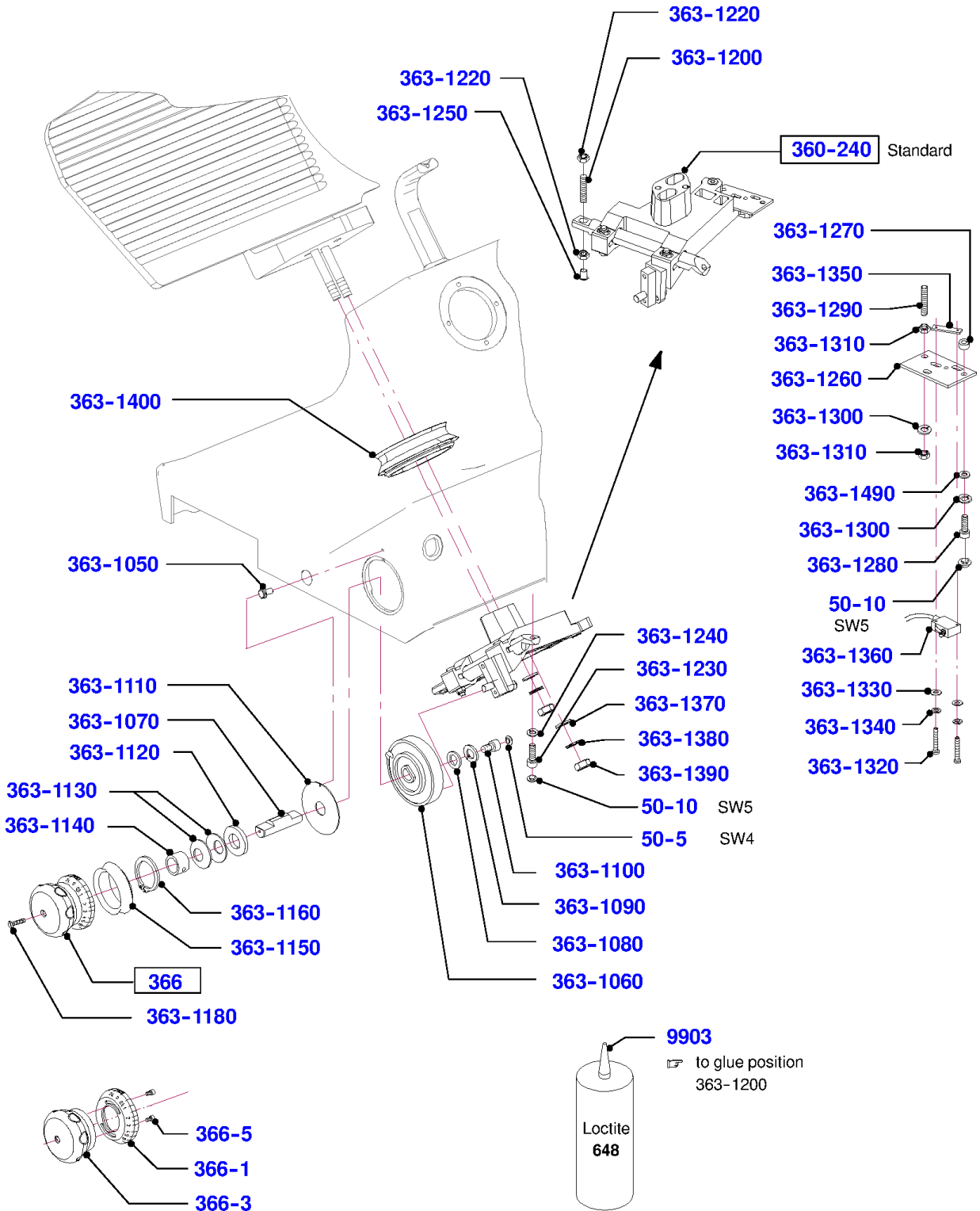
Rotary knob and load arm



Rotary knob and load arm

Item	Material No.	Qty	Material description	available for order	Wear part	Recomm. sp. part	Metr. relevance
50-5	57744860000	001	Protective plug 9x4,2x2,5-PE	✓		✓	
50-10	57744870000	007	Protective plug 10x5,2x3,1-PE	✓		✓	
360-240	60380101701	001	BEARING BRACKET PREASSY.	✓			
360-240	38023851000	001	Bearing bracket preass.	✓			
363-1050	56269330000	001	Round-Head Nail DIN 1476-3x6-PC	✓			
363-1060	38062319001	001	GROOVED CAM LATERAL GROOVE	✓			
363-1070	60370105702	001	ROTARY KNOB SHAFT	✓			
363-1080	56739050000	001	Washer DIN 125-A 5_3 -A2-70 56739050000	✓			
363-1090	57767050000	001	Spring lock washer DIN128-A5-FSt	✓			
363-1100	57747210001	001	Cylinder screw DIN7984 M5x12-8.8	✓		✓	
363-1110	60370105801	001	Washer 70x18,2x2 - 1.4301	✓			
363-1120	40110201009	001	Washer	✓			
363-1130	00110000095	002	disk spring	✓			
363-1140	57920040000	001	Adjusting Ring DIN 705-A18-St	✓			
363-1150	60270101311	001	CHART SEALING RING	✓			
363-1160	57775550000	001	Retaining ring DIN472-55x2	✓			
363-1180	56922570000	001	Counter Sunk Screw DIN 964-M5x25-A2-70	✓			
363-1200	56083380000	001	Set screw ISO4026 M10x50-A2-70	✓			
363-1220	56444820000	002	Hexagon Nut DIN 439-BM10-A2-70	✓			
363-1230	57743430000	001	Cylinder screw DIN 912-M6x20-A2-70	✓			
363-1240	57767060000	001	Spring lock washer DIN128-A6-FSt	✓			
363-1250	50002390000	001	Protective plug 14,5x12,7x9,5-PE	✓			
363-1260	60370106100	001	SUPPORTING RAIL	✓			
363-1270	60370115300	001	Spacer ring	✓			
363-1280	57736200000	001	Cylinder screw DIN912 M6x20-8.8	✓			
363-1290	56083180000	001	Set screw ISO4026 M6x35-A2-70	✓			
363-1300	57767060000	002	Spring lock washer DIN128-A6-FSt	✓			
363-1310	56456600000	002	Hexagon nut DIN934-M6-A2	✓			
363-1320	56805380001	002	Oval-head screw DIN7985 M3x20-4.8	✓			
363-1330	56739030000	002	Washer DIN125-A-3-A2-70 56739030000	✓			
363-1340	57767030000	002	Spring lock washer DIN128-A3-FSt	✓			
363-1350	60380101500	001	nut plate	✓			
363-1360	60386100301	001	SWITCH S870+L500 03L1R032	✓			
363-1370	56739100000	002	Washer DIN125-A-10-A2	✓			
363-1380	57767100000	002	Spring lock washer DIN128-A10-FSt	✓			
363-1390	56456820000	002	Hexagon nut DIN934-M10-A2	✓			
363-1400	60370106311	001	SEALING GAUGE PLATE	✓		✓	
363-1490	56739060000	004	Washer DIN125-A-6-A2	✓			
366	60370119401	001	Rotary knob cpl.	✓			
366-1	60223501702	001	SCALE	✓			
366-3	60370119501	001	ROTARY KNOB	✓			
366-5	57464230000	002	Plastic screw 4x16-St-T20	✓			

Rotary knob and load arm

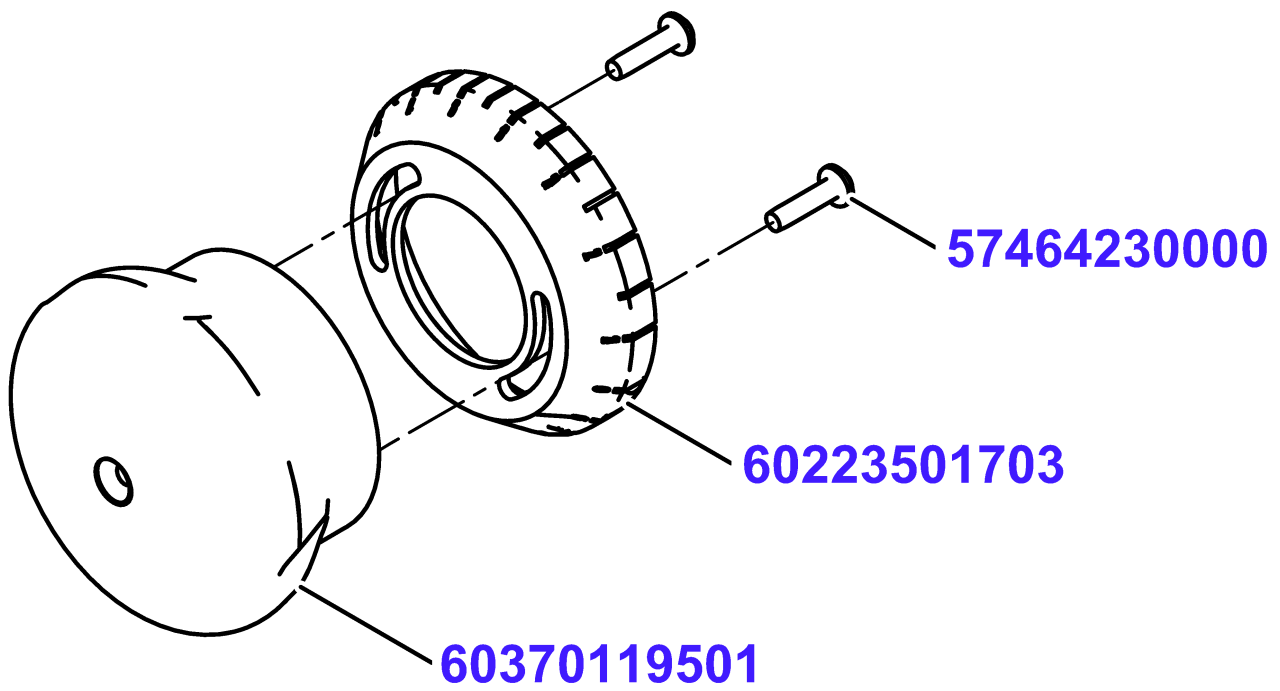


Rotary knob and load arm




available for order
Wear part
Recomm. sp. part
Metr. relevance

Item	Material No.	Qty	Material description
9903	95972840000	001	LOCTITE 648 10M

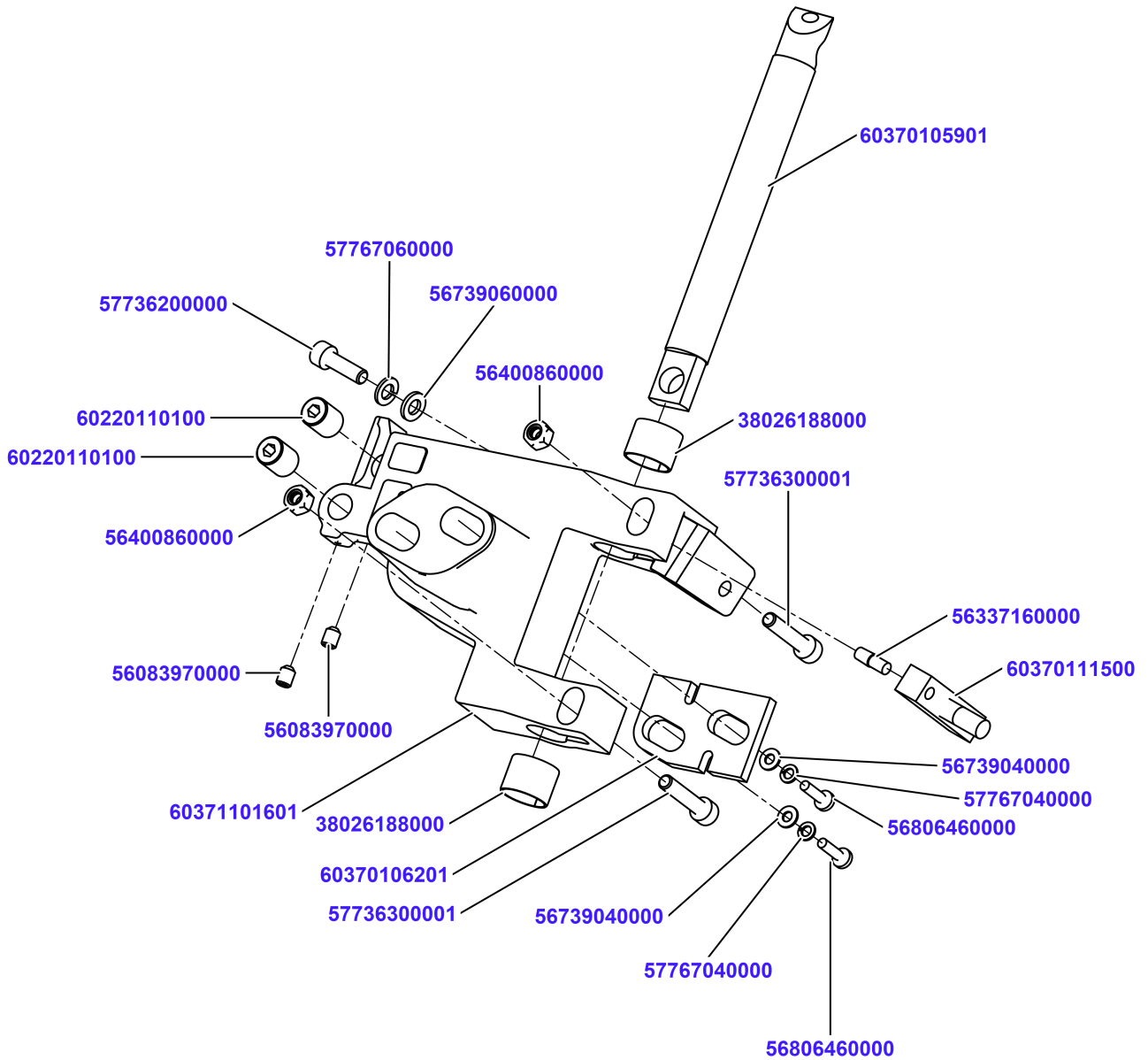
Rotary knob cpl.



















Rotary knob cpl.

Material No.	Qty	Material description	available for order	Wear part	Recomm. sp. part	Metr. relevance
60223501703	1	Scale				
60370119501	1	ROTARY KNOB				
57464230000	2	Plastic screw 4x16-St-T20				

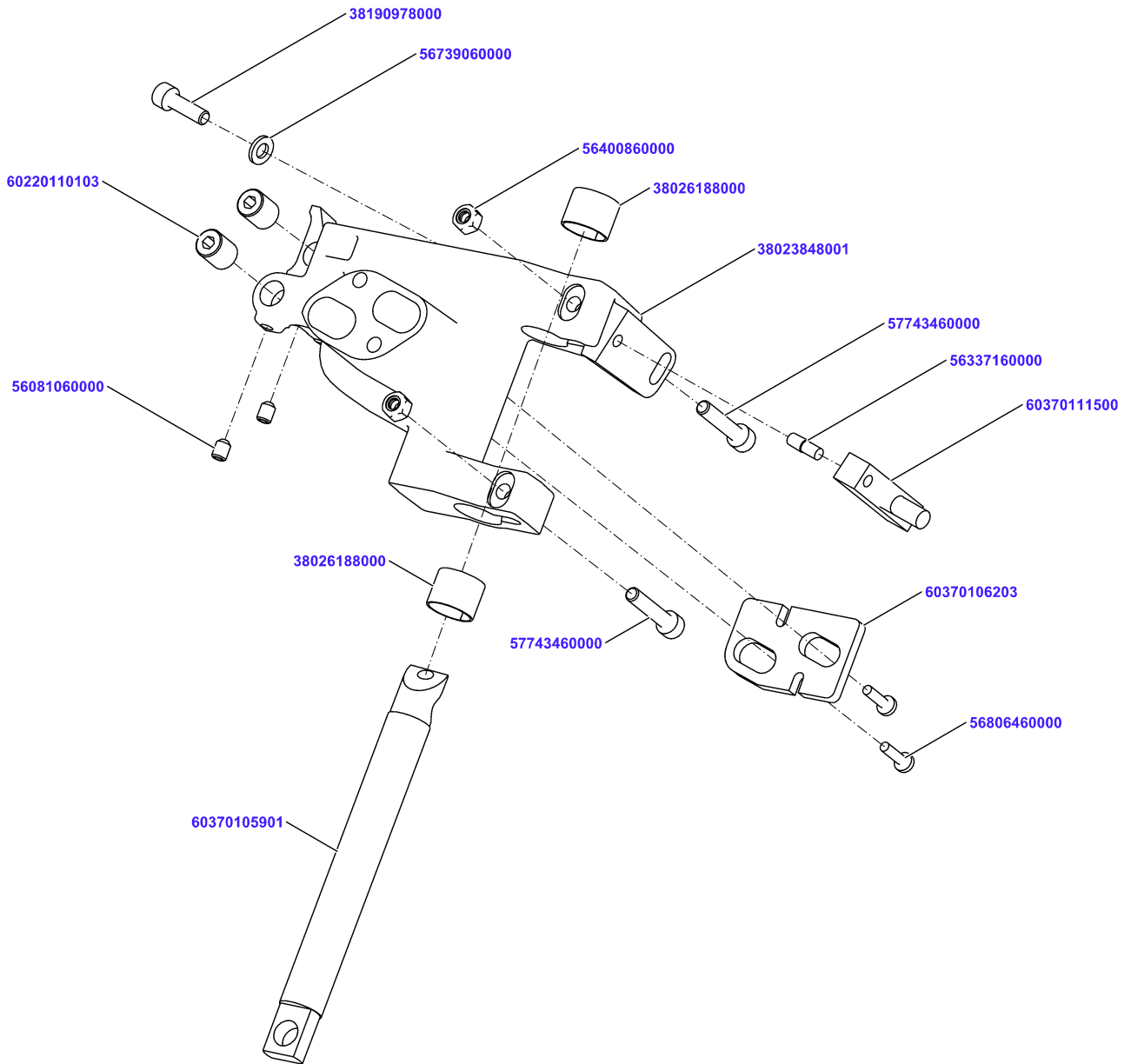
BEARING BRACKET PREASSY.
















BEARING BRACKET PREASSY.

Material No.	Qty	Material description	available for order	Wear part	Recomm. sp. part	Metr. relevance
60371101601	1	BEARING BRACKET				
57736300001	2	Cylinder screw DIN912 M6x30-8.8				
56400860000	2	Locknut DIN 985-M6-A2-70 56400860000				
38026188000	2	Plain bearing 18x20x15				
60370111500	1	lever preassy.				
56337160000	1	Grooved Pin DIN 1474-5x16 A2-70				
57736200000	1	Cylinder screw DIN912 M6x20-8.8				
57767060000	1	Spring lock washer DIN128-A6-FSt				
56739060000	1	Washer DIN125-A-6-A2				
60220110100	2	threaded pin				
56083970000	2	Set screw DIN916 M6x8-45H				
60370105901	1	shaft				
60370106201	1	supporting plate				
56806460000	2	Oval-head screw DIN7985 M4x16-A2-70				
56739040000	2	Washer DIN 125-A 4.3-A2-70 56739040000				
57767040000	2	Spring lock washer DIN128-A4-FSt				

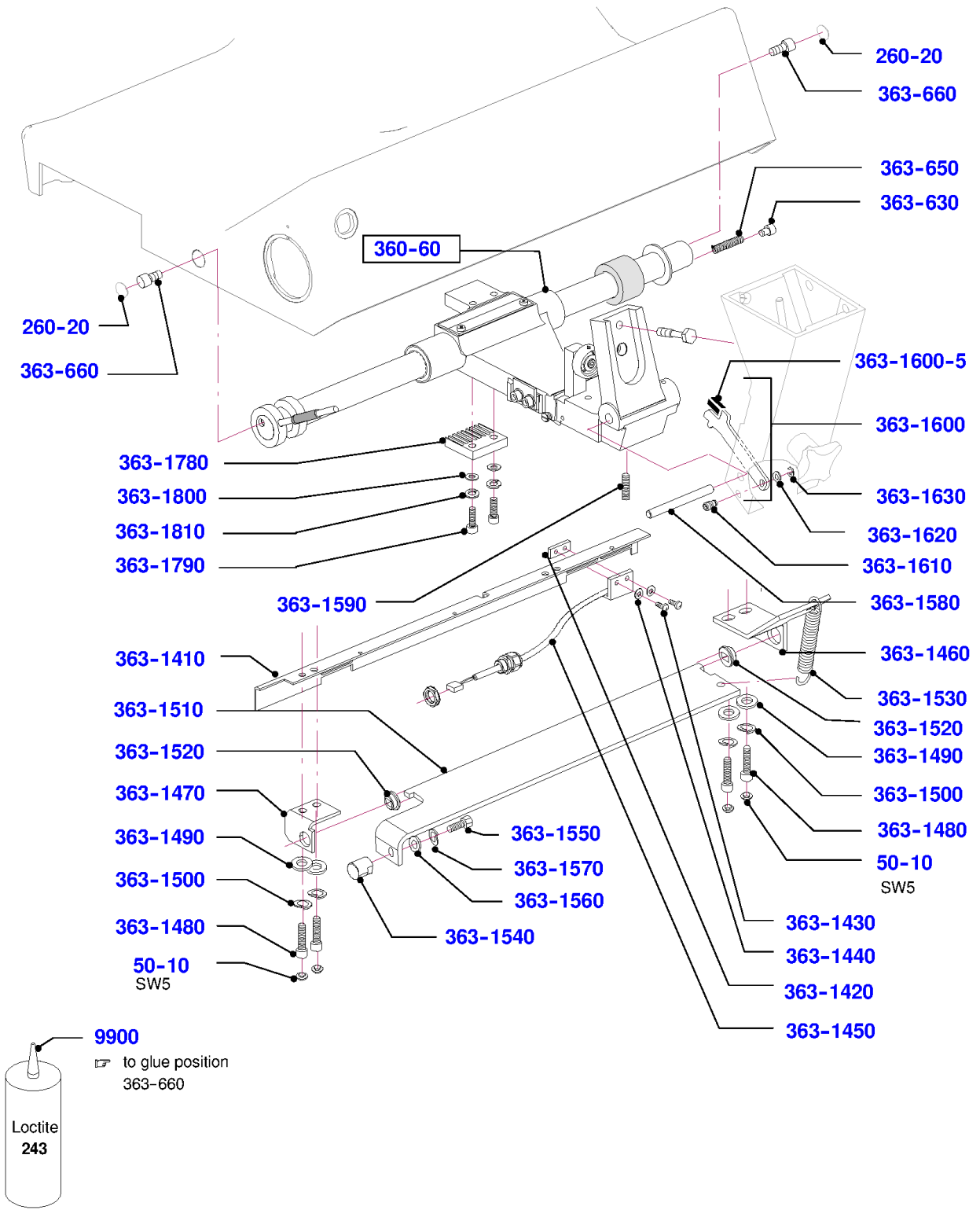
Bearing bracket press.



Bearing bracket preass.

Material No.	Qty	Material description	available for order	Wear part	Recomm. sp. part	Metr. relevance
38023848001	1	Bearing bracket GSP machined				
57743460000	2	Cylinder screw DIN912 M6x30-A2-70				
56400860000	2	Locknut DIN 985-M6-A2-70 56400860000				
38026188000	2	Plain bearing 18x20x15				
60370111500	1	lever preassy.				
56337160000	1	Grooved Pin DIN 1474-5x16 A2-70				
38190978000	1	Cylinder screw M6x20-A2-70 Precote 30-8				
56739060000	1	Washer DIN125-A-6-A2				
60220110103	2	Threaded Bolt M12x1 x 14				
56081060000	2	Set screw DIN916 M6x8-A2-70				
60370105901	1	shaft				
60370106203	1	Supporting plate				
56806460000	2	Oval-head screw DIN7985 M4x16-A2-70				

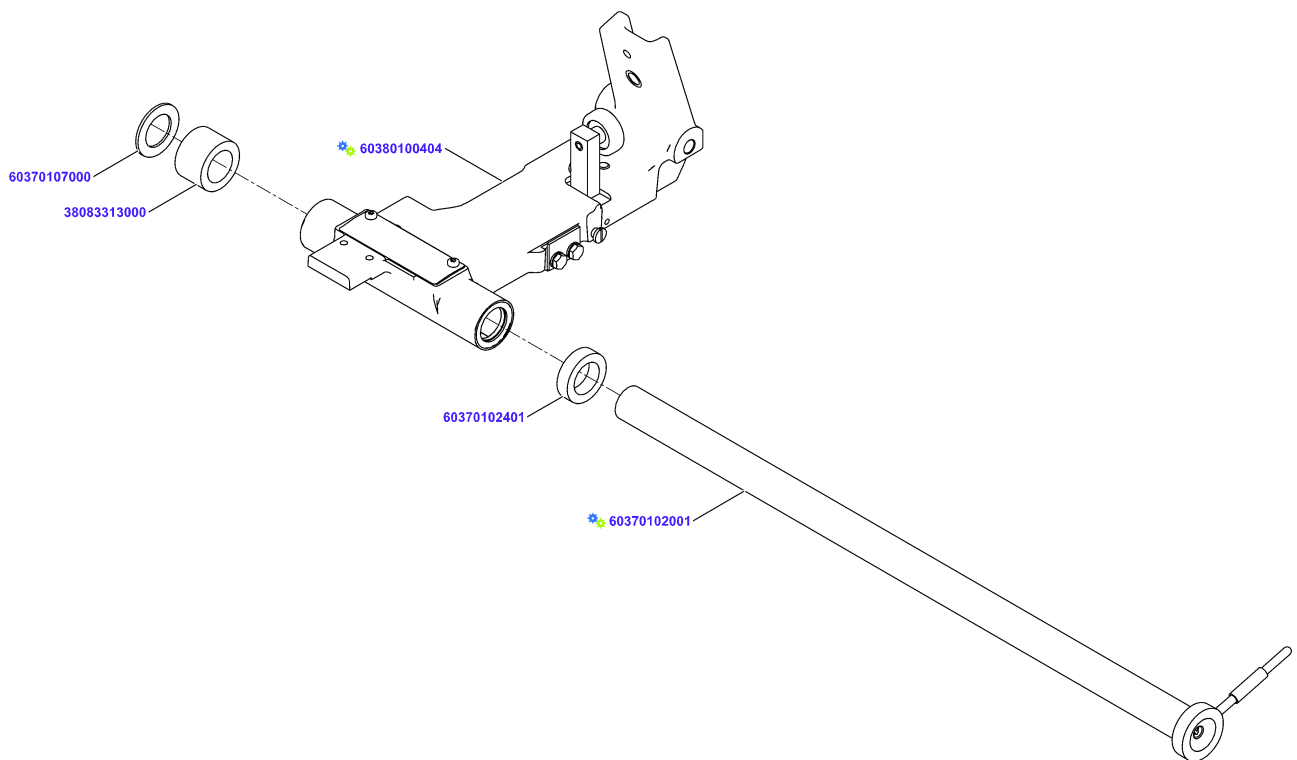
Carriage guide, sensor support, rail, angle and locking slider



Carriage guide, sensor support, rail, angle and locking slider

Item	Material No.	Qty	Material description	available for order	Wear part	Recomm. sp. part	Metr. relevance
50-10	57744870000	007	Protective plug 10x5,2x3,1-PE	✓		✓	
260-20	56777181000	002	Sealing washer DIN470 18-AI	✓			
260-20	38017693000	002	Verschluss Scheibe C Nachfolg 56777181000	✓			
360-60	60380100302	001	Carriage guide cpl. HD	✓			
363-630	60180300028	001	Bolt 8X5	✓			
363-650	50275150000	001	Comp. spring 8,5x6,1x29,4x15,57-5,761	✓			
363-660	60370101900	002	SCREW	✓			
363-1410	60384143100	001	SENSOR SUPPORT	✓			
363-1420	60380315100	001	Nut plate	✓			
363-1430	56805410000	002	OVAL- HEAD SCREW DIN 7985- M4X6- 5.8	✓			
363-1440	56739040000	002	Washer DIN 125-A 4.3-A2-70 56739040000	✓			
363-1450	60386103100	001	SENSOR ENDPOS SE12D	✓		✓	
363-1460	60370106401	001	ANGLE, BACK	✓			
363-1470	60370106501	001	ANGLE, FRONT	✓			
363-1480	57736160001	004	Cylinder screw DIN912 M6x16-8.8	✓			
363-1490	56739060000	004	Washer DIN125-A-6-A2	✓			
363-1500	57767060000	004	Spring lock washer DIN128-A6-FSt	✓			
363-1510	60370106602	001	RAIL	✓			
363-1520	60370106700	002	Bearing jack	✓			
363-1530	50998960000	001	Tension spring 12x27,8x7,98-1,015	✓			
363-1540	60370106900	001	distance washer	✓			
363-1550	57347160000	001	HEXAGON SCREW DIN 933- M6X16- 8.8	✓			
363-1560	56739060000	001	Washer DIN125-A-6-A2	✓			
363-1570	57767060000	001	Spring lock washer DIN128-A6-FSt	✓			
363-1580	60370108700	001	shaft	✓			
363-1590	56083980000	001	Set screw DIN916 M6x12-A2-70	✓			
363-1600	60370108900	001	locking slider, compl.	✓			
363-1600-5	60370116100	001	Pre-cut Shrink Sleeve GR 6.4 - 30	✓			
363-1610	60370110700	001	bearing bolt	✓			
363-1620	60800105000	001	WASHER 8,2 X 13,8 X 0,8	✓		✓	
363-1630	57750600000	001	Retaining washer DIN6799-6	✓			
363-1780	60384112500	001	Clamping Plug	✓			
363-1790	57743440000	002	Socket Head Screw DIN 912-M6x25-A2-70	✓			
363-1800	56739060000	002	Washer DIN125-A-6-A2	✓			
363-1810	57767060000	002	Spring lock washer DIN128-A6-FSt	✓			
9900	95972940000	001	LOCTITE 243 10ML	✓			

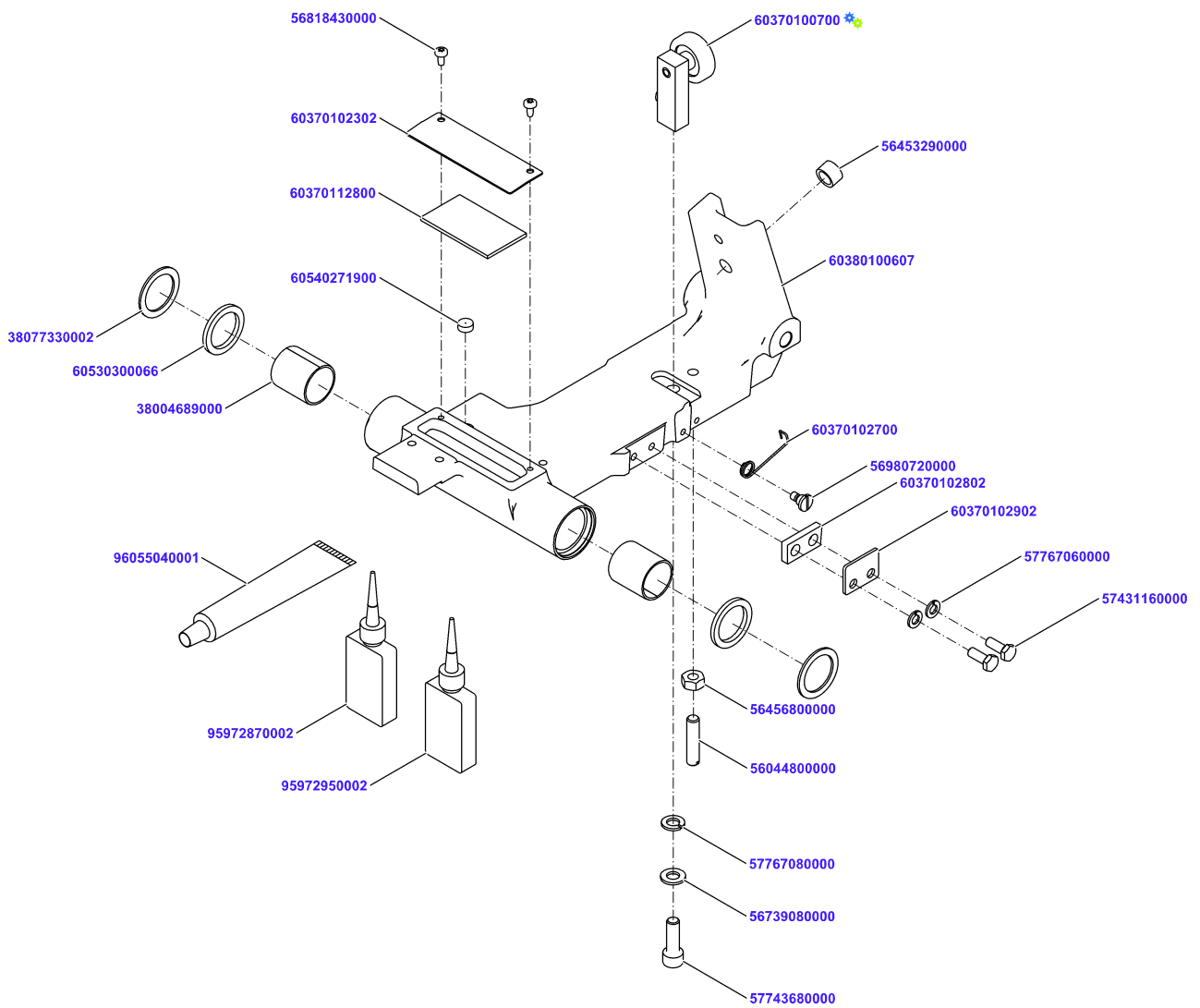
Carriage guide cpl. HD



Carriage guide cpl. HD

Material No.	Qty	Material description	available for order	Wear part	Recomm. sp. part	Metr. relevance
60380100404	1	Carriage guide preass 330 multi				
60370102001	1	Carriage shaft preass.				
60370102401	1	Shock absorber 38x24,5x10	✓			
38083313000	1	Shock absorber 38x24,5x25	✓			
60370107000	1	Buffer disk	✓			

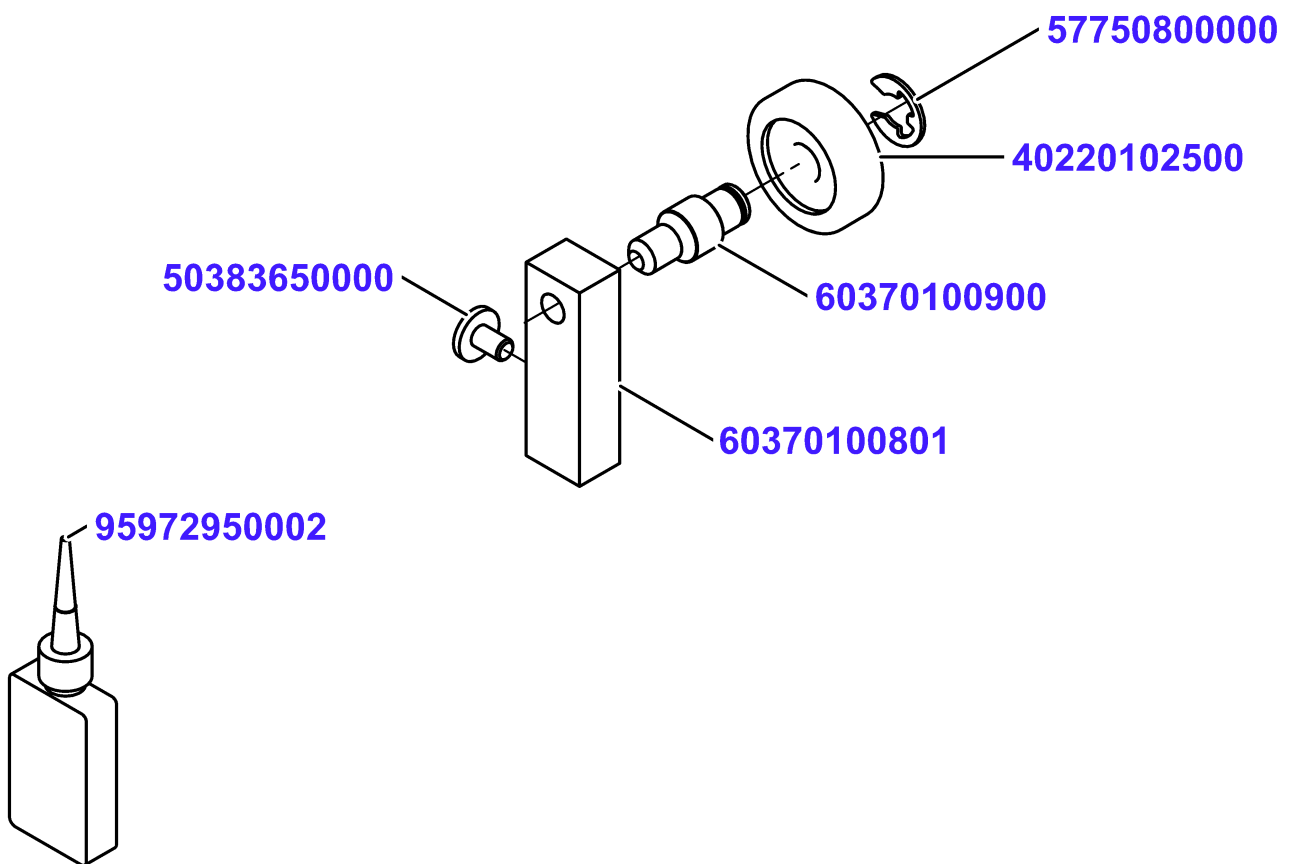
Carriage guide preass 330 multi



Carriage guide preass 330 multi

Material No.	Qty	Material description	available for order	Wear part	Recomm. sp. part	Metr. relevance
60380100607	1	Carriage guide 330 GSP machined	✓			
60370100700	1	Roller support preassembled				
60540271900	1	Magnet Vacodym 370 LC round 10X4			✓	
95972870002	0,001	Loctite 638 95972870002	✓			
57743680000	1	Cylinder screw DIN912 M8x25-A2-70	✓			
56739080000	1	Washer DIN 125-A 8.4-A2-70	✓			
57767080000	1	Spring lock washer DIN128-A8-A2	✓			
60530300066	2	felt ring	✓			
38077330002	2	Cover disk 35f8x26x1,5	✓			
38004689000	2	Plain bearing 25x28x30	✓			
56980720000	1	Oval-head screw DIN923 M5x11-5.8	✓			
56453290000	1	Threaded insert M12x9	✓			
56044800000	1	Set screw DIN551 M8x35 - brass	✓			
56456800000	1	Hexagon Nut DIN 934-M8-A2-70	✓			
95972950002	0,001	Loctite 243 50 ml 95972950002	✓			
60370112800	1	Felt strip	✓			
96055040001	0,002	Grease Isoflex Topas NB 5051	✓			
60370102302	1	Cover	✓			
56818430000	2	Self-tapping screw DIN7500-CE M4x8-5.6*	✓			
60370102902	1	Insert 30x22x2	✓			
60370102802	1	stop	✓			
60370102700	1	Torsion spring	✓			
57431160000	2	Hexagon Screw DIN 933 M6x16 A2-70	✓			
57767060000	2	Spring lock washer DIN128-A6-FSt	✓			

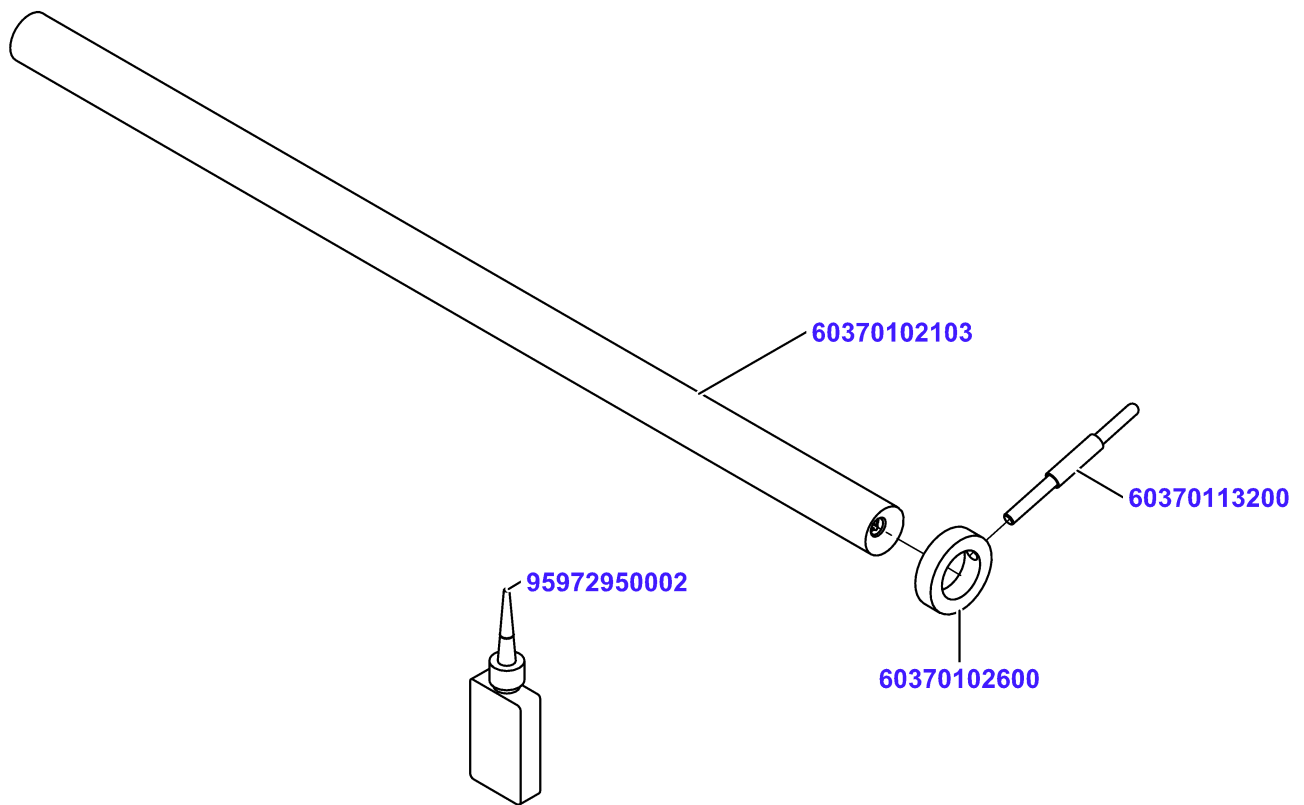
Roller support preassembled



Roller support preassembled

Material No.	Qty	Material description	available for order	Wear part	Recomm. sp. part	Metr. relevance
60370100802	1	Roller support 16x12x50				
60370100900	1	bearing bolt				
95972950002	0,001	Loctite 243 50 ml 95972950002				
40220102500	1	roller				
57753800000	1	Retaining Washer DIN 6799-8-1.41				
50383650000	1	Buffer 12x11				

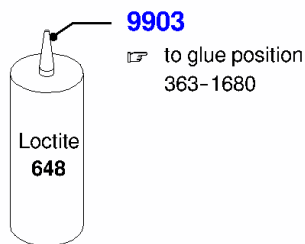
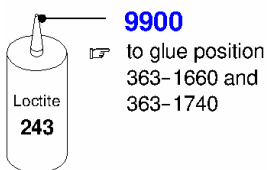
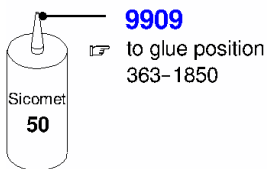
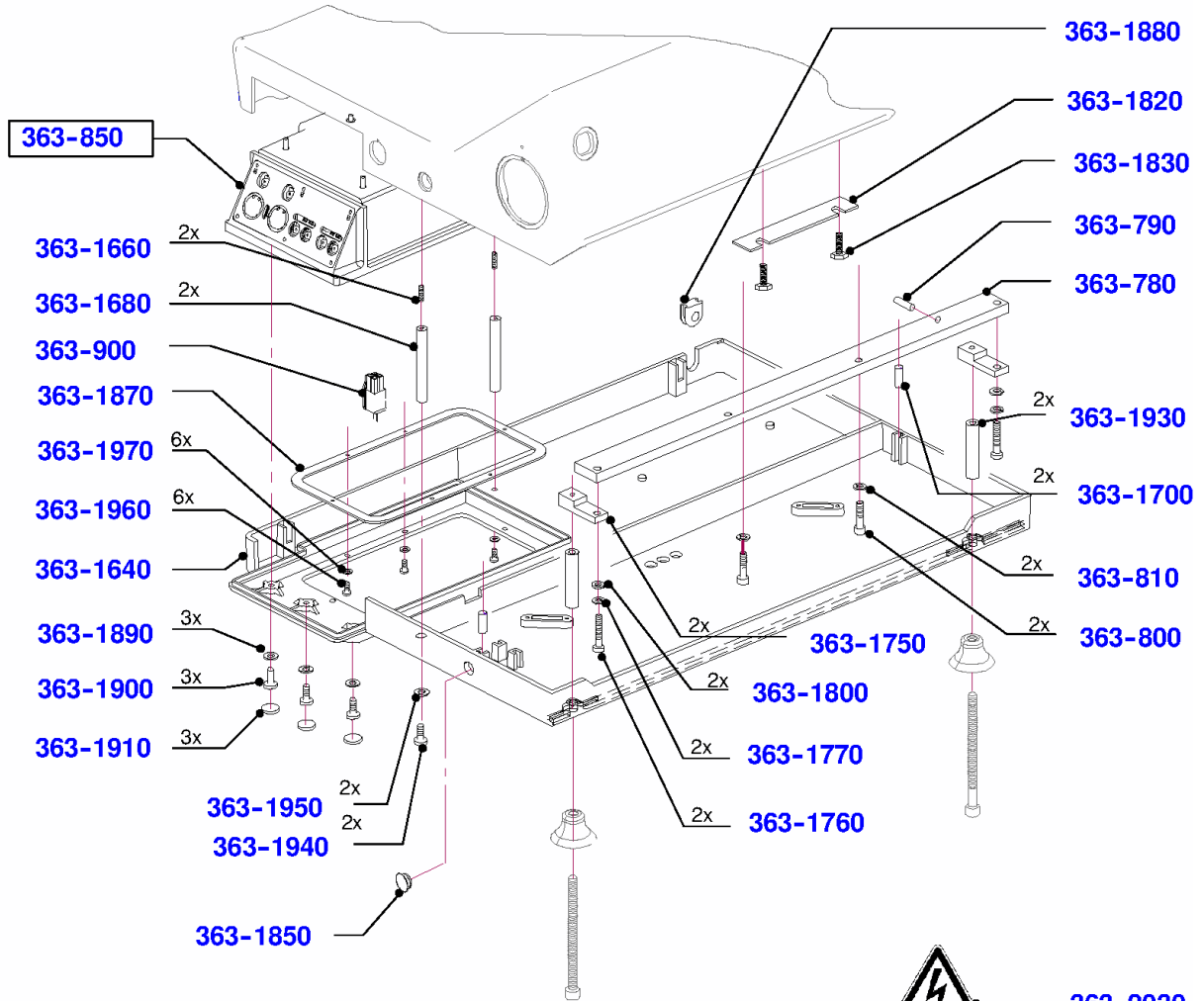
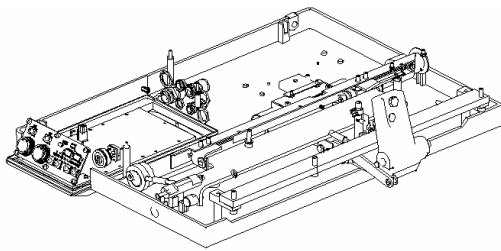
Carriage shaft preass.



Carriage shaft preass.

Material No.	Qty	Material description	available for order	Wear part	Recomm. sp. part	Metr. relevance
60370102103	1	Carriage Shaft 559,7x25				
60370102600	1	Stop ring				
60370113200	1	Lever preassembled				
95972950002	0,001	Loctite 243 50 ml 95972950002				

Bottom plate and accessories



363-2030



363-2040

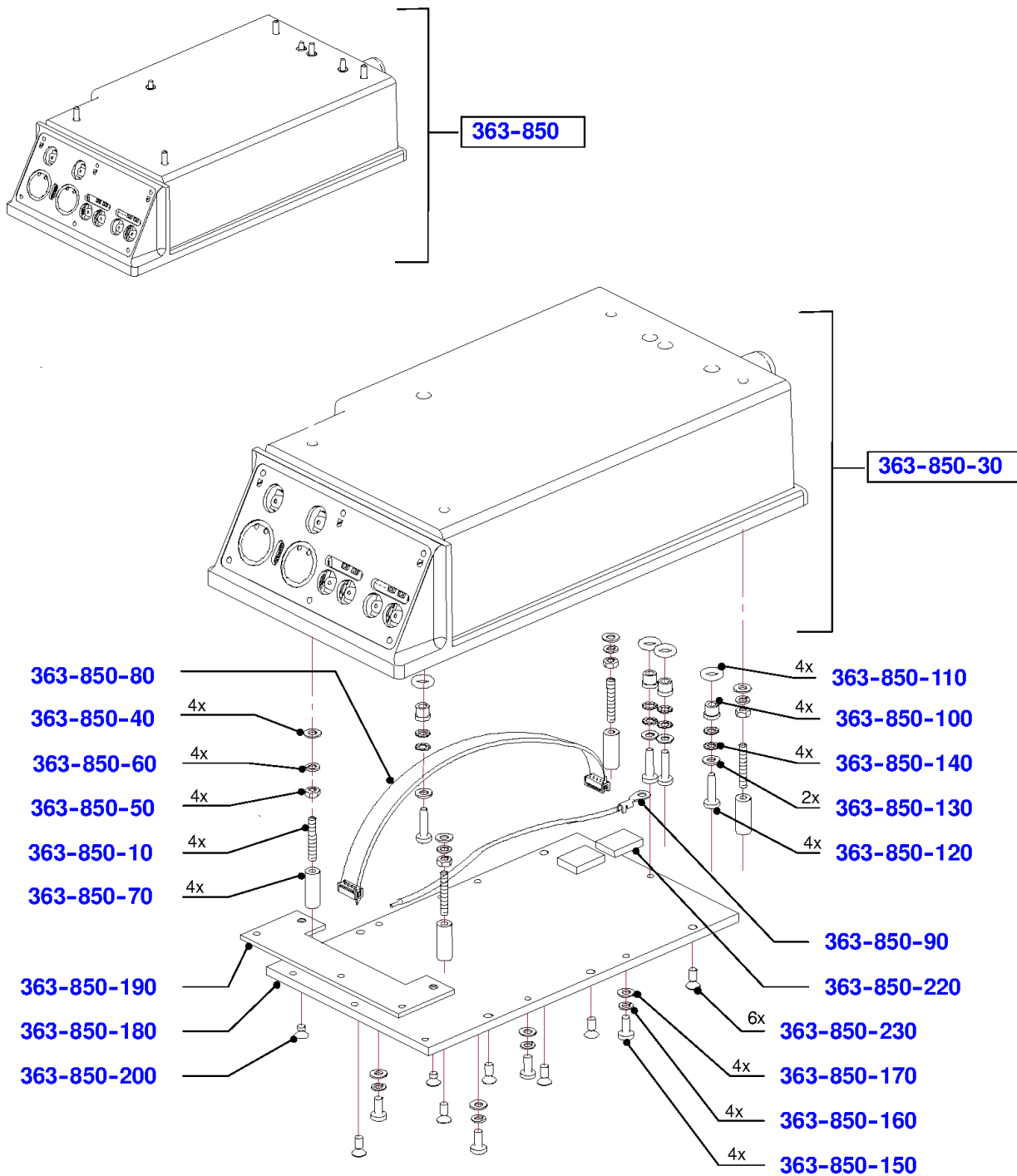


363-2050


Bottom plate and accessories

Item	Material No.	Qty	Material description	available for order	Wear part	Recomm. sp. part	Metr. relevance
363-780	60370107100	001	GUIDE RAIL				
363-790	56338240000	001	Grooved Pin DIN 1474-6x24 A2-70				
363-800	57743440000	002	Socket Head Screw DIN 912-M6x25-A2-70				
363-810	57767060000	002	Spring lock washer DIN128-A6-FSt				
363-850	60380314001	001	HOUSING PREASSEMBLED				
363-900	38060543000	001	BRIDGE PLUG GSP- HD BRASIL				
363-1640	60380315703	001	BOTTOM PLATE GREY				
363-1660	56083390000	002	Set screw ISO4026 M4x16-A2-70				
363-1680	60380314501	002	SPACER				
363-1700	56187990000	002	Cylindrical pin EN 22338-6m6x16-A2				
363-1750	60380312201	002	BASE PLATE				
363-1760	57736300001	002	Cylinder screw DIN912 M6x30-8.8				
363-1770	57767060000	002	Spring lock washer DIN128-A6-FSt				
363-1800	56739060000	002	Washer DIN125-A-6-A2				
363-1820	60380102301	001	FISH PLATE				
363-1830	57429060000	002	Hexagon screw DIN933 M4x6 A2-70				
363-1850	38007516000	001	PROTECTIVE PLUG, KNURLED GREY				
363-1870	38009693000	001	GASKET COOLING PLATE				
363-1880	60820315800	001	rubber bushing				
363-1890	56739040000	003	Washer DIN 125-A 4.3-A2-70 56739040000				
363-1900	56806430000	003	Oval-head screw DIN7985 M4x10-A2-70				
363-1910	60140000601	003	Washer 10.9 x 2				
363-1930	60380311501	002	spacer				
363-1940	56806430000	002	Oval-head screw DIN7985 M4x10-A2-70				
363-1950	56739040000	002	Washer DIN 125-A 4.3-A2-70 56739040000				
363-1960	56806430000	006	Oval-head screw DIN7985 M4x10-A2-70				
363-1970	56739040000	006	Washer DIN 125-A 4.3-A2-70 56739040000				
363-2030	51977600000	001	Warning plate with danger arrow 50				
363-2040	60544808100	001	REFERENCE PLATE "DO NOT CLEAN WITH HOSE"				
363-2050	51975600000	001	Information Sign disconnect the Plug				
9900	95972940000	001	LOCTITE 243 10ML				
9903	95972840000	001	LOCTITE 648 10M				
9909	95972710002	001	SICOMET 50 50G				

Housing preass. - BR



9900
 to glue position
 363-850-10 and
 363-850-200



Loctite
243

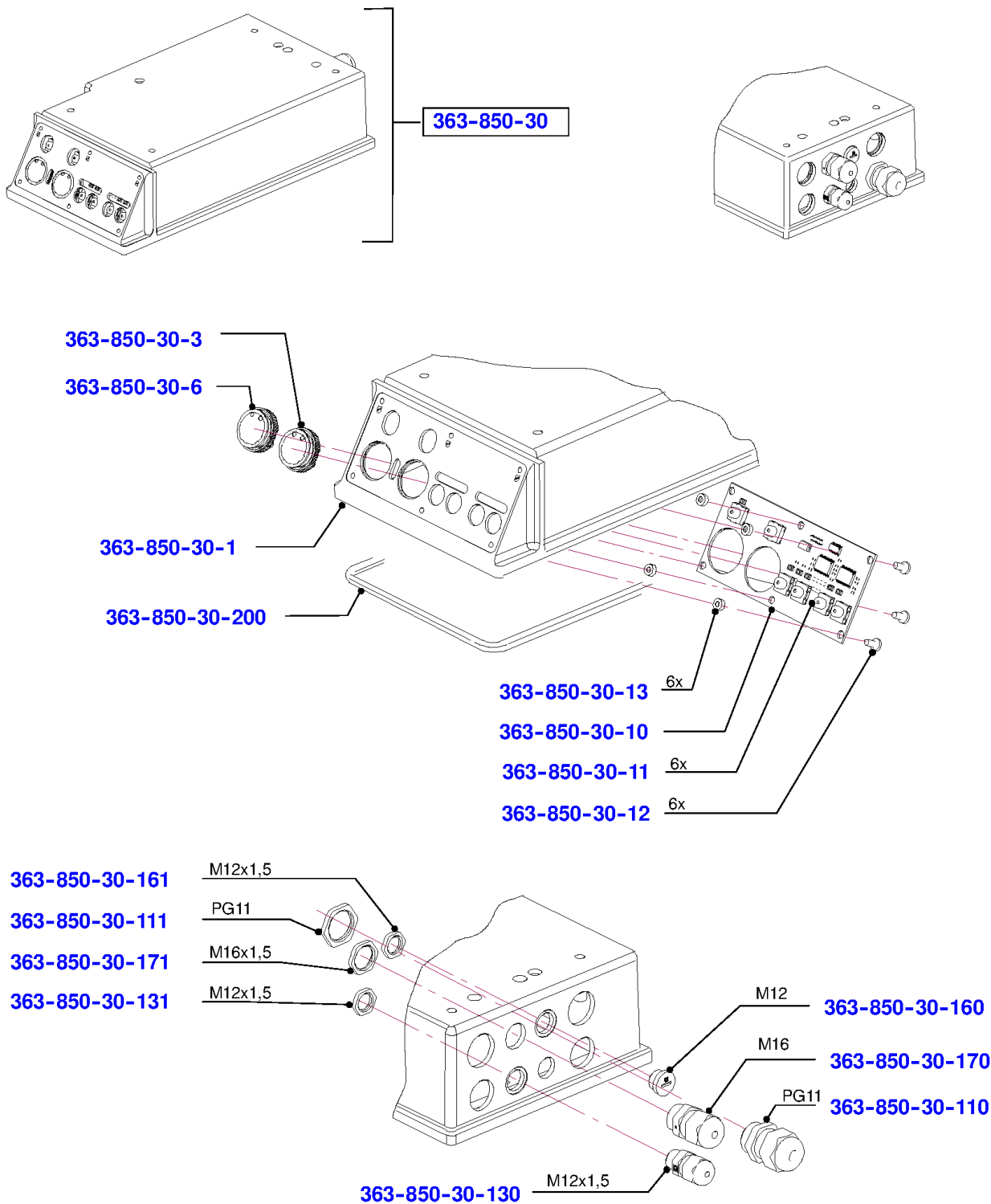
Housing preass. - BR

Item	Material No.	Qty	Material description	available for order	Wear part	Recomm. sp. part	Metr. relevance
363-850	60380314001	001	HOUSING PREASSEMBLED	✓			
363-850-10	56084000000	004	Set screw ISO4026 M4x25-A2-70	✓			
363-850-30	60380344100	001	HOUSING PREASS. BR WITHOUT DECORATIVE F.	✓			
363-850-40	56739040000	004	Washer DIN 125-A 4.3-A2-70 56739040000	✓			
363-850-50	56456400000	004	Hexagon nut DIN934-M4-A2	✓			
363-850-60	57767040000	004	Spring lock washer DIN128-A4-FSt	✓			
363-850-70	38004288000	004	STUD	✓			
363-850-80	60386103000	001	KA FL 8X1,27 0,31M	✓			
363-850-90	60386120100	001	Ka Li GN/YE AWG16 0,13m	✓			
363-850-100	60380314801	004	PROTECTIVE CONDUCTOR BUSHING	✓			
363-850-110	50001940000	004	O- SEAL 6X3	✓			
363-850-120	56818470000	004	SELF- TAPPING SCREW CM4X16T20	✓			
363-850-130	56739040000	002	Washer DIN 125-A 4.3-A2-70 56739040000	✓			
363-850-140	57758610000	004	Toothed washer DIN6797-A 4,3-Fst	✓			
363-850-150	56806430000	004	Oval-head screw DIN7985 M4x10-A2-70	✓			
363-850-160	57767040000	004	Spring lock washer DIN128-A4-FSt	✓			
363-850-170	56739040000	004	Washer DIN 125-A 4.3-A2-70 56739040000	✓			
363-850-180	38004285000	001	COOLING PLATE	✓			
363-850-190	38004280000	001	FASTENING PLATE	✓			
363-850-200	57451240000	002	Countersunk screw DIN965 M4x6-A2-70	✓			
363-850-220	38008483000	002	HEATPAD	✓			
363-850-230	57451200000	006	Countersunk screw DIN965 M4x10-A2-70	✓			
9900	95972940000	001	LOCTITE 243 10ML	✓			

Housing preass. - BR

Housing preass., BR without deco foil

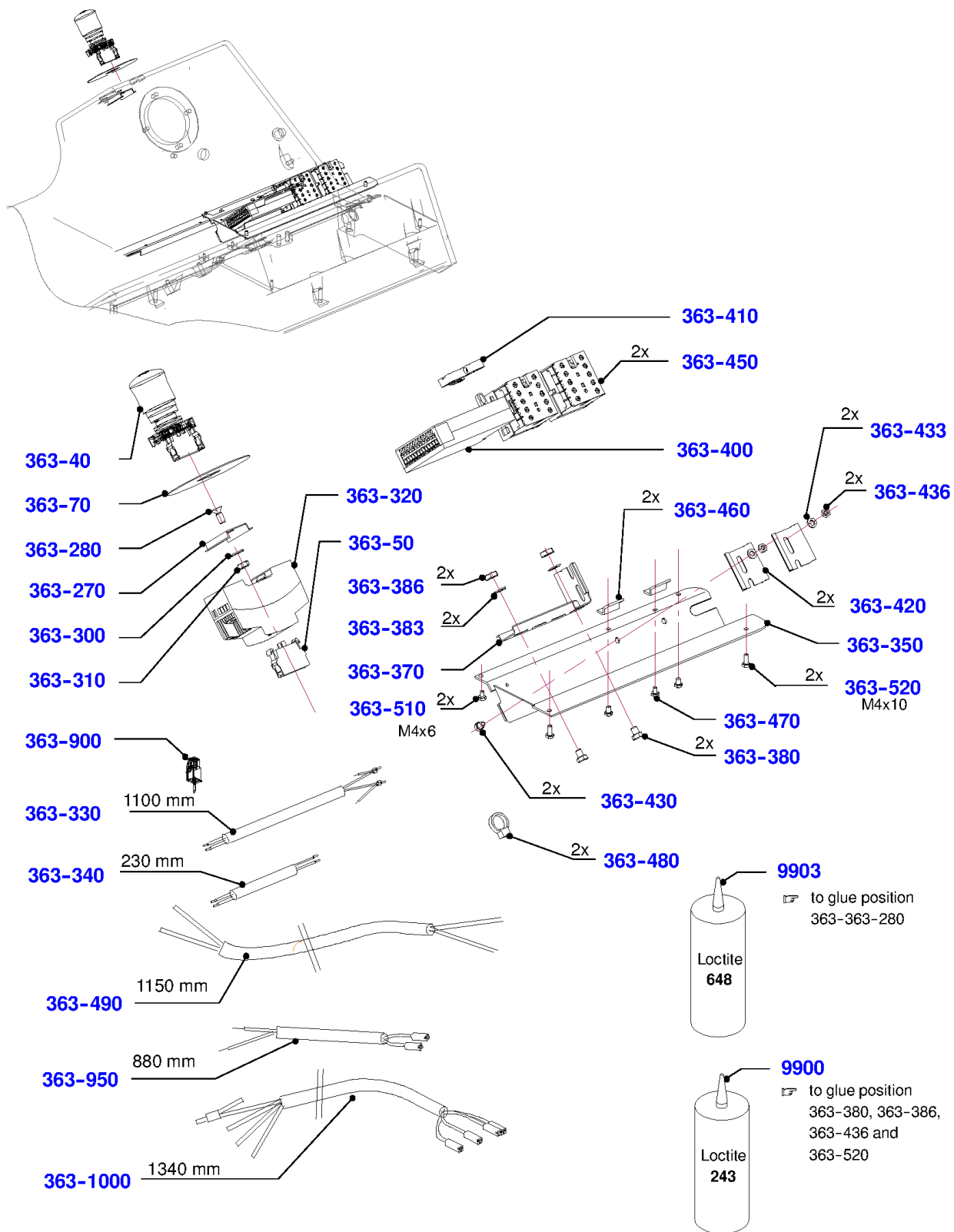
Housing preass., BR without deco foil



Housing preass. - BR

Item	Material No.	Qty	Material description	available for order	Wear part	Recomm. sp. part	Metr. relevance
363-850-30	60380344100	001	HOUSING PREASS. BR WITHOUT DECORATIVE F.	✓			
363-850-30-1	60380315605	001	HOUSING GREY	✓			
363-850-30-3	71027230000	001	MAIN KEY ON	✓		✓	
363-850-30-6	71027210000	001	MAIN KEY OFF	✓		✓	
363-850-30-10	60385110150	001	PCBA HMI SE12D	✓		✓	
363-850-30-11	71960100000	006	KEY CAP FOR SMS- PUSHBUTTON	✓			
363-850-30-12	57465130000	006	Plastic screw 4x8-St-T20	✓			
363-850-30-13	38011961000	006	SPACER RING	✓			
363-850-30-110	71011620000	001	Cable Gland ST11 UL53015020	✓			
363-850-30-111	71161110000	001	Nut PG 11 DIN 46320 CuZn39Pb3	✓			
363-850-30-130	71010810000	001	Cable Gland M12x1,5 UL	✓			
363-850-30-131	71162150000	001	Nut M12x1.5	✓			
363-850-30-160	71066120000	001	Screw Plug BLK-M12 71066120000	✓			
363-850-30-161	71162150000	001	Nut M12x1.5	✓			
363-850-30-170	71010820000	001	Cable Gland M16 UL 53111010	✓			
363-850-30-171	71162160000	001	Nut M16x1.5	✓			
363-850-30-200	60380313900	001	SILICON TUBE 900 MM	✓			

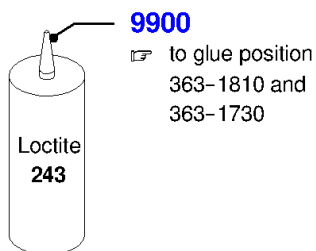
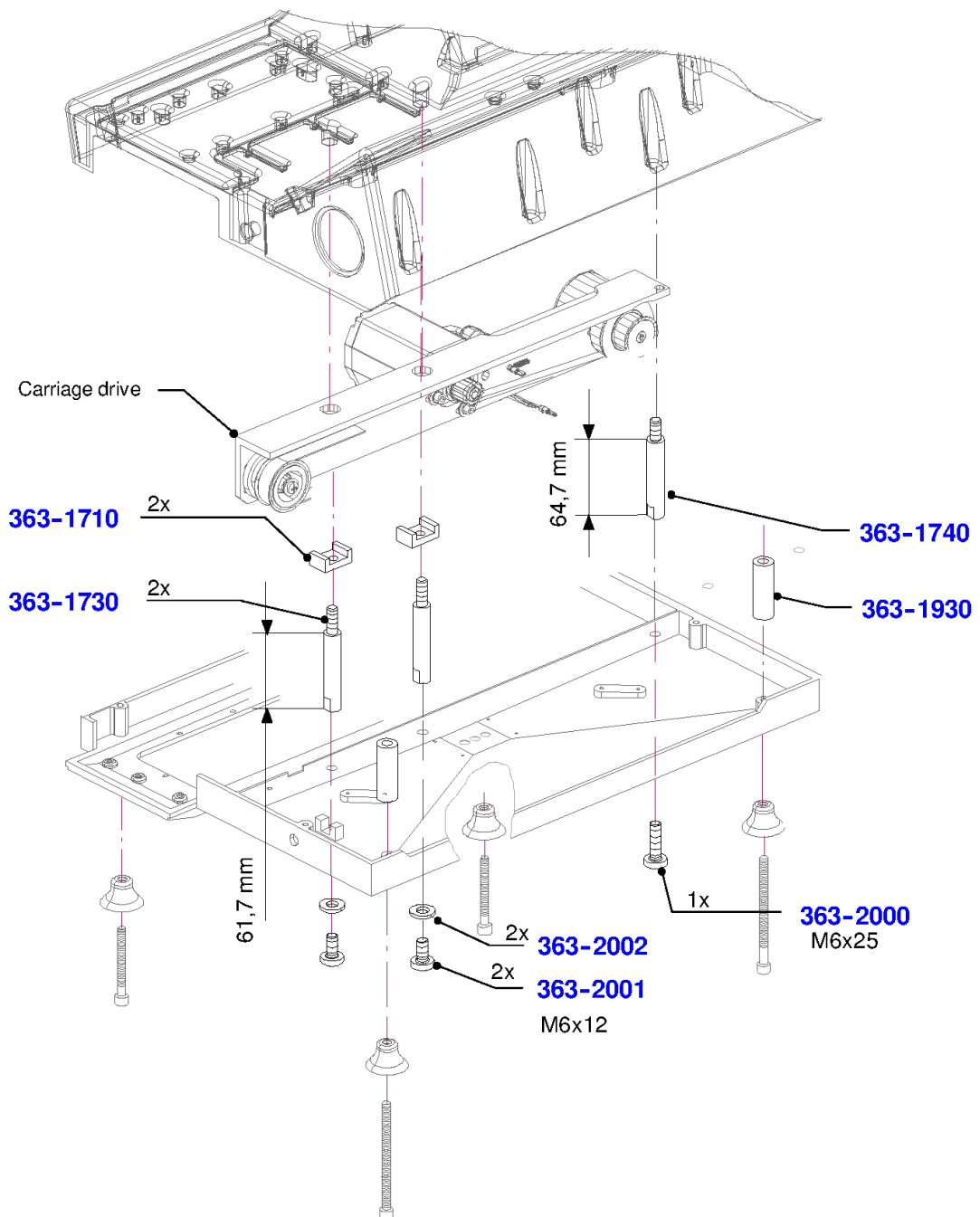
Electronic and cables











Electronic and cables

Item	Material No.	Qty	Material description	available for order	Wear part	Recomm. sp. part	Metr. relevance
363-40	38057481000	001	Push Buttom Emergency Stop M22-PV/K01	✓			
363-50	38057477000	001	Contact Element Open M22-K01Q	✓			
363-70	38057418000	001	EMERGENCY LABEL DE, EN, ES, PT	✓			
363-270	60380346800	001	CAP RAIL FOR SMALL CONTACTORS	✓			
363-280	57630430000	001	Countersunk Screw DIN 963-M4x10-A2-70	✓			
363-300	56739040000	001	Washer DIN 125-A 4.3-A2-70 56739040000	✓			
363-310	56456400000	001	Hexagon nut DIN934-M4-A2	✓			
363-320	71506680000	001	POWER SUPPLY UNIT 24VDC/0.75A	✓		✓	
363-330	38062879000	001	KA RD 3G0,5 1,10M	✓			
363-340	38062875000	001	KA RD 2X0,75 0,23M	✓			
363-350	60380346601	001	CARRIER SHEET	✓			
363-370	60380346701	001	CAP RAIL ANGLED	✓			
363-380	65019999937	002	Hexagon Screw DIN 933-M5x6-A2-70	✓			
363-383	56739050000	002	Washer DIN 125-A 5_3 -A2-70 56739050000	✓			
363-386	56444500000	002	Hexagon nut DIN439-M5-A2	✓			
363-400	38062846000	001	SAFTY CONTROL UNIT 463111B1	✓			
363-410	77287320000	001	Clamping Brackets SK 35	✓			
363-420	60380346800	002	CAP RAIL FOR SMALL CONTACTORS	✓			
363-430	65019999937	002	Hexagon Screw DIN 933-M5x6-A2-70	✓			
363-433	56739050000	002	Washer DIN 125-A 5_3 -A2-70 56739050000	✓			
363-436	56444500000	002	Hexagon nut DIN439-M5-A2	✓			
363-450	38063679000	002	SMALL CONTACTOR 24V DC B7D- 30- 01- 01	✓		✓	
363-460	60380346900	002	CAPTIVE	✓			
363-470	57429060000	002	Hexagon screw DIN933 M4x6 A2-70	✓			
363-480	71004310000	002	Cabel Tie T18R	✓			
363-490	60566227900	001	Ca Rd 2x0,75qmm 1,0m	✓			
363-510	57429060000	002	Hexagon screw DIN933 M4x6 A2-70	✓			
363-520	57429100000	002	Hexagon Screw DIN933 M4x10 A2-70	✓			
363-900	38060543000	001	BRIDGE PLUG GSP- HD BRASIL	✓			
363-950	38062863000	001	KA RD 3G0,5 0,88M	✓			
363-1000	38062871000	001	KA RD 5G0,5 1,34M	✓			
9900	95972940000	001	LOCTITE 243 10ML	✓			
9903	95972840000	001	LOCTITE 648 10M	✓			

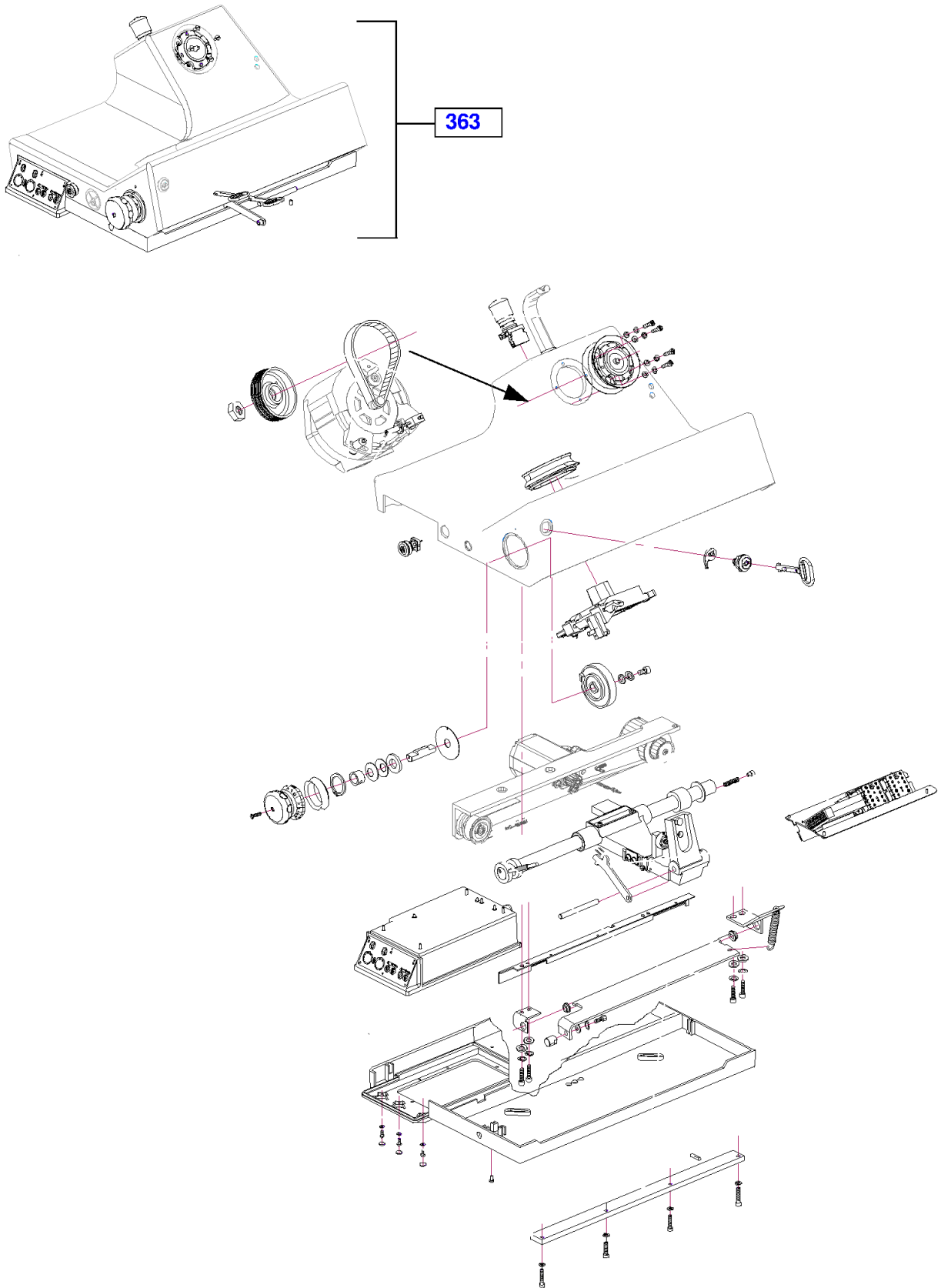
Fastening carriage drive, rubber foot




Fastening carriage drive, rubber foot

Item	Material No.	Qty	Material description	available for order	Wear part	Recomm. sp. part	Metr. relevance
363-1710	60380303502	002	PLATE				
363-1730	60380311201	002	BOLT				
363-1740	60380312301	001	BOLT				
363-1930	60380311501	002	spacer				
363-2000	56806700000	001	Oval-head screw DIN7985 M6x25-A2-70				
363-2001	56806650000	002	Oval-head screw DIN7985 M6x12-A2-70				
363-2002	56739060000	003	Washer DIN125-A-6-A2				
9900	95972940000	001	LOCTITE 243 10ML				

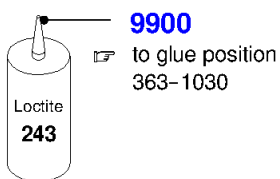
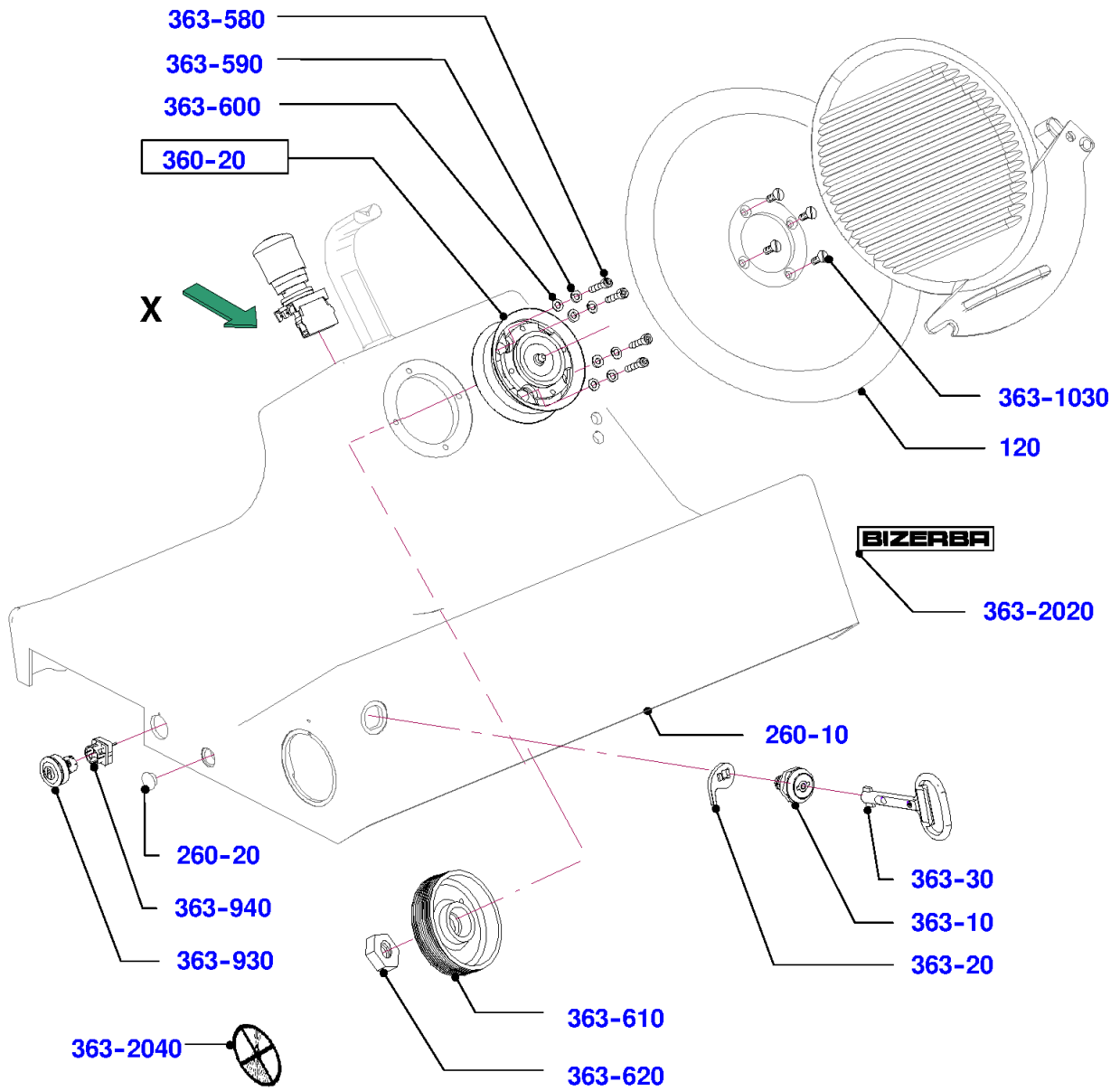
Assembly overview



Assembly overview

Item	Material No.	Qty	Material description	available for order	Wear part	Recomm. sp. part	Metr. relevance
363	60388036201	001	BASIC COMPONENTS GSP HD BR				

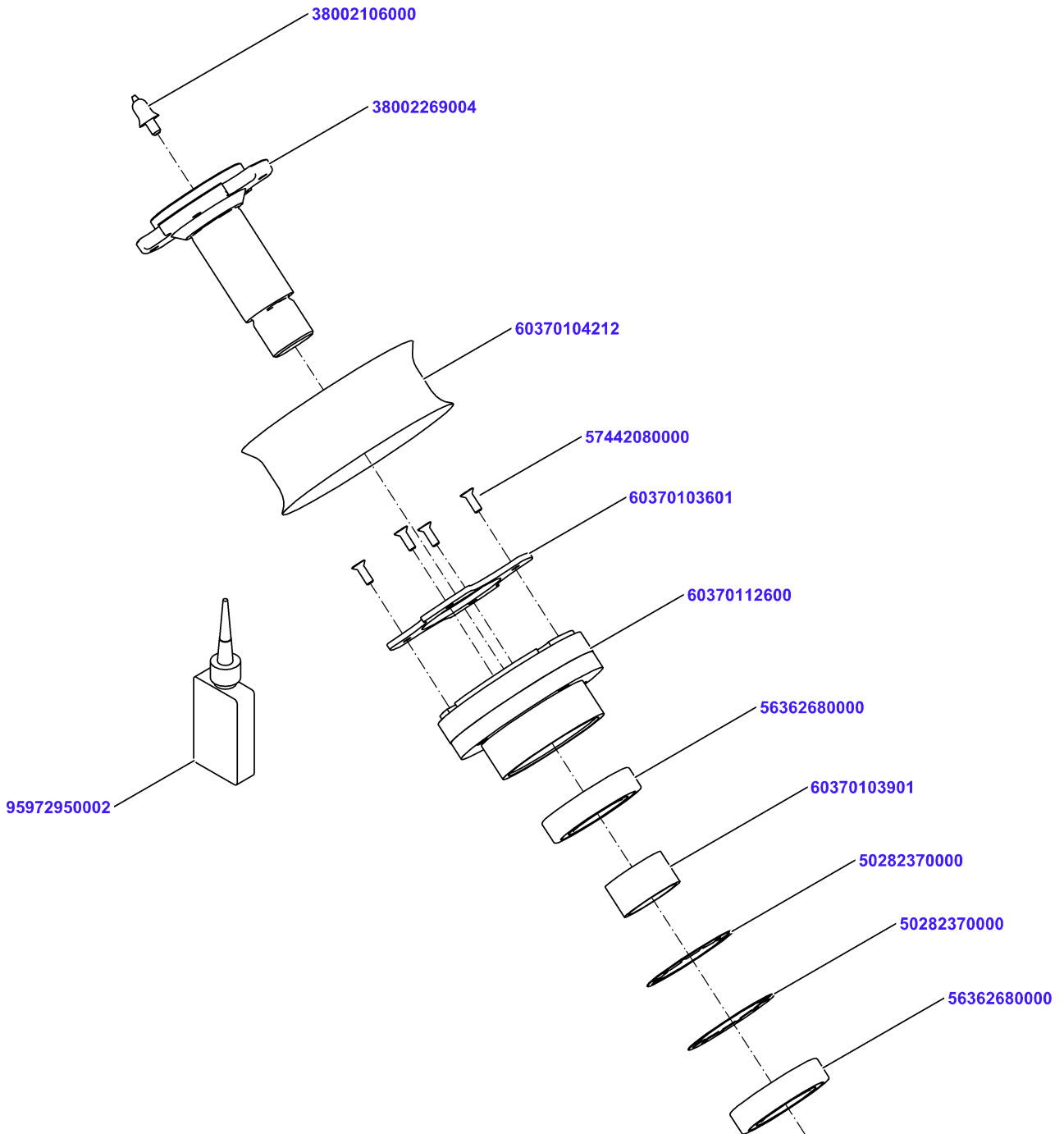
Machine housing, blade bearing preass., belt pulley and accessories













Machine housing, blade bearing preass., belt pulley and accessories

Item	Material No.	Qty	Material description	available for order	Wear part	Recomm. sp. part	Metr. relevance
120	38067777000	001	BLADE 330 C SLAYER - SERVICE	✓			
120	94001000017	001	BLADE CHEESE, VS8/SE8/VF330/A330 G+B.	✓			
120	94001000013	001	BLADE, 4- HOLE, VS8/SE8/VF330/A330/A400 RA	✓			
120	94001000059	001	Bread blade 330 C teethed Service	✓			
260-10	60381600101	001	MACHINE HOUSING RAISED LIP	✓			
260-10	60381690101	001	MACHINE HOUSING RAISED LIP C	✓			
260-10	60380340102	001	MACHINE HOUSING RAISED LIP BR	✓			
260-20	56777181000	002	Sealing washer DIN470 18-AI	✓			
260-20	38017693000	002	Verschlussscheibe C Nachfolg 56777181000	✓			
360-20	38002647001	001	Blade bearing preass.	✓			
363-10	38059802000	001	SAFETY TURNING BOLT	✓			
363-20	38059703002	001	BOLT GSP BRAZIL	✓			
363-30	38059809000	002	TWO- WAY KEY BIT 5MM FORM A	✓			
363-580	57743440000	004	Socket Head Screw DIN 912-M6x25-A2-70	✓			
363-590	57767060000	004	Spring lock washer DIN128-A6-FSt	✓			
363-600	56739060000	004	Washer DIN125-A-6-A2	✓			
363-610	60370104100	001	Belt pulley PolyV	✓			
363-620	60370104301	001	HEXAGONAL NUT	✓			
363-930	38012263000	001	ACTUATOR BLACK	✓			
363-940	38012265000	001	CONTACT BLOCKS 1XINVERTER	✓			
363-1030	57630620000	004	Countersunk screw DIN963 M6x12-A2-70	✓			
363-2020	60800116900	001	Bizerba character font	✓			
363-2040	60544808100	001	REFERENCE PLATE "DO NOT CLEAN WITH HOSE"	✓			
9900	95972940000	001	LOCTITE 243 10ML	✓			

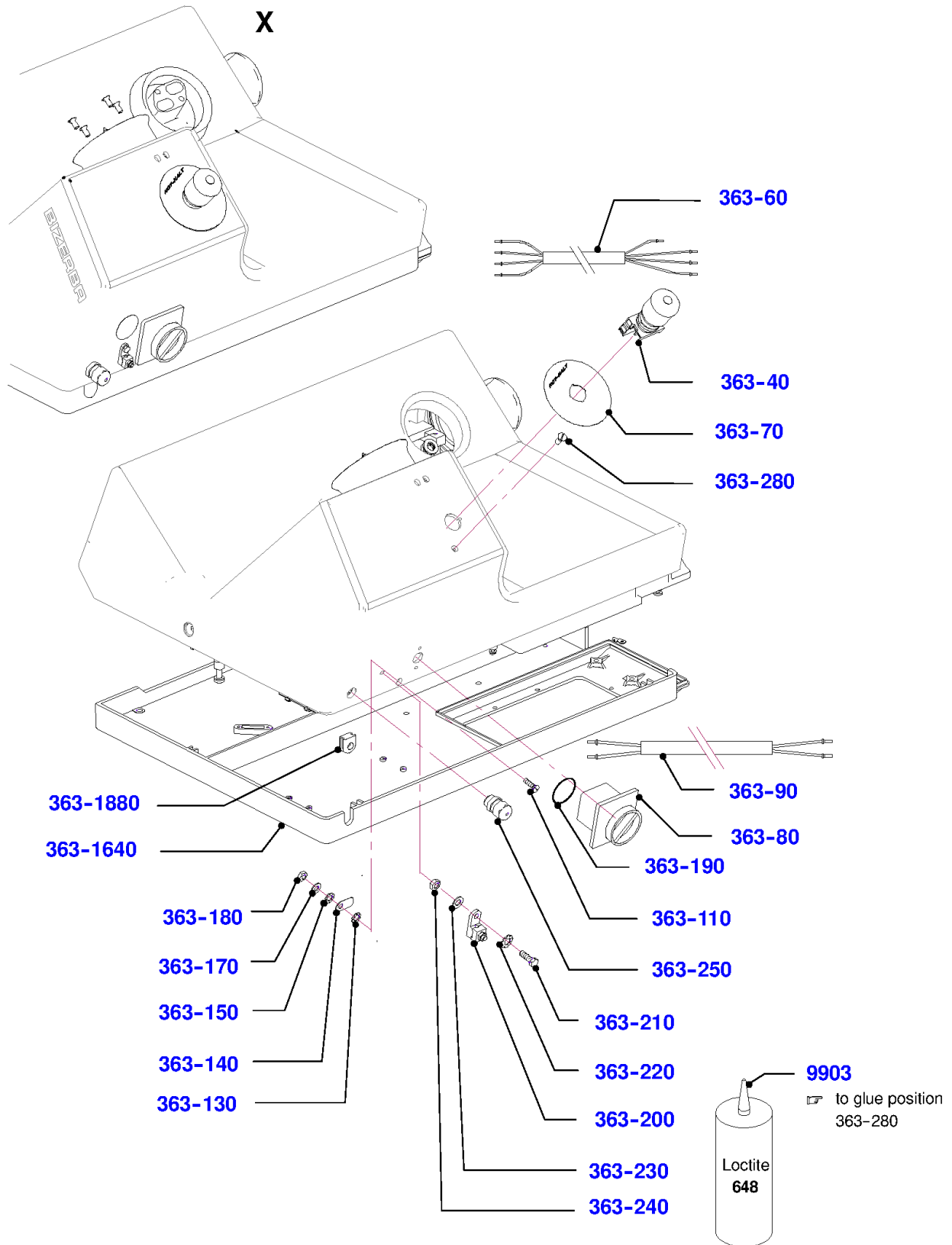
Blade bearing preass.



Blade bearing preass.

Material No.	Qty	Material description	available for order	Wear part	Recomm. sp. part	Metr. relevance
60370112600	1	Bearing bushing 90x46				
56362680000	2	Grooved ball bearing 30x55x13 6006-2NSE9				
60370103901	1	Spacer ring 19mm				
50282370000	2	Disc spring 54,5x40,5x0,45				
60370103601	1	retaining ring				
57442080000	4	Countersunk Screw DIN7991 M4x12-A2-70				
38002269004	1	Blade shaft				
38002106000	1	Shoring bolt				
95972950002	0,001	Loctite 243 50 ml 95972950002				
60370104212	1	Sealing ring blade 108x84x40				

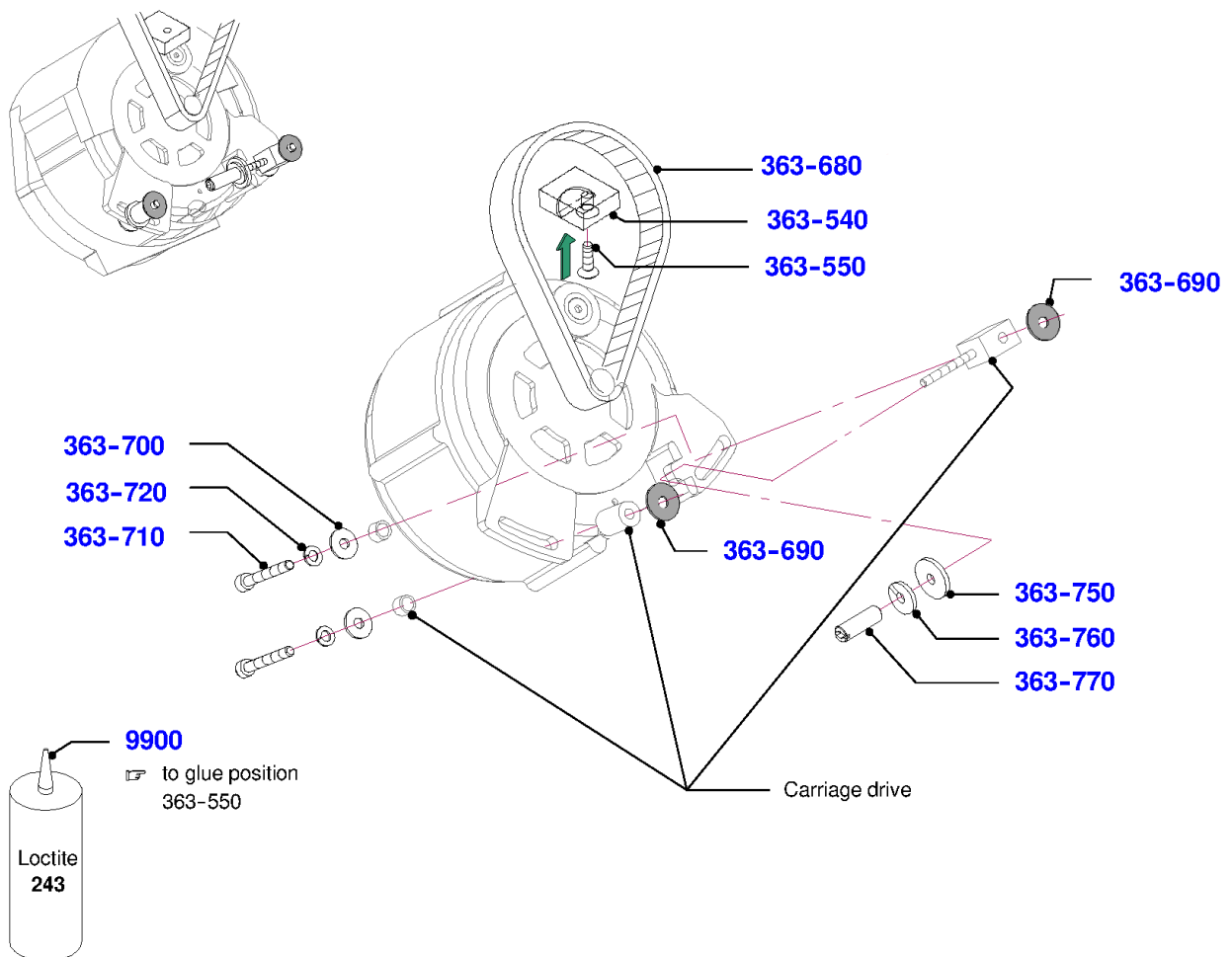
Off/emergency - switch red yellow, push button emergency stop



Off/emergency - switch red yellow, push button emergency stop

Item	Material No.	Qty	Material description	available for order	Wear part	Recomm. sp. part	Metr. relevance
363-40	38057481000	001	Push Button Emergency Stop M22-PV/K01				
363-60	38062854000	001	KA RD 5G0,5 0,98M				
363-70	38057418000	001	EMERGENCY LABEL DE, EN, ES, PT				
363-80	71217390000	001	Off/Emergency-Switch red yellow				
363-90	38062877000	001	KA RD 2X0,75 0,68M				
363-110	57630450000	001	Countersunk Screw DIN963 M4x16-A2-70				
363-130	57758610000	001	Toothed washer DIN6797-A 4,3-Fst				
363-140	50250100000	001	Grounding Plate 9x17/4.3 D				
363-150	57758610000	001	Toothed washer DIN6797-A 4,3-Fst				
363-170	56739040000	001	Washer DIN 125-A 4.3-A2-70 56739040000				
363-180	56456400000	001	Hexagon nut DIN934-M4-A2				
363-190	38060800000	001	Label Potential Equalization				
363-200	38060694000	001	Ground Terminal 10mm2				
363-210	57430160000	001	Hexagon Screw DIN 933-M5x16-A2				
363-220	57758620000	001	Toothed Washer DIN 6797-A 5_3-FS				
363-230	56739050000	001	Washer DIN 125-A 5_3 -A2-70 56739050000				
363-240	56456500000	001	Hexagon Nut DIN 934-M5-A2-70				
363-250	71010820000	001	Cable Gland M16 UL 53111010				
363-280	57630430000	001	Countersunk Screw DIN 963-M4x10-A2-70				
363-1640	60380315703	001	BOTTOM PLATE GREY				
363-1880	60820315800	001	rubber bushing				
9903	95972840000	001	LOCTITE 648 10M				

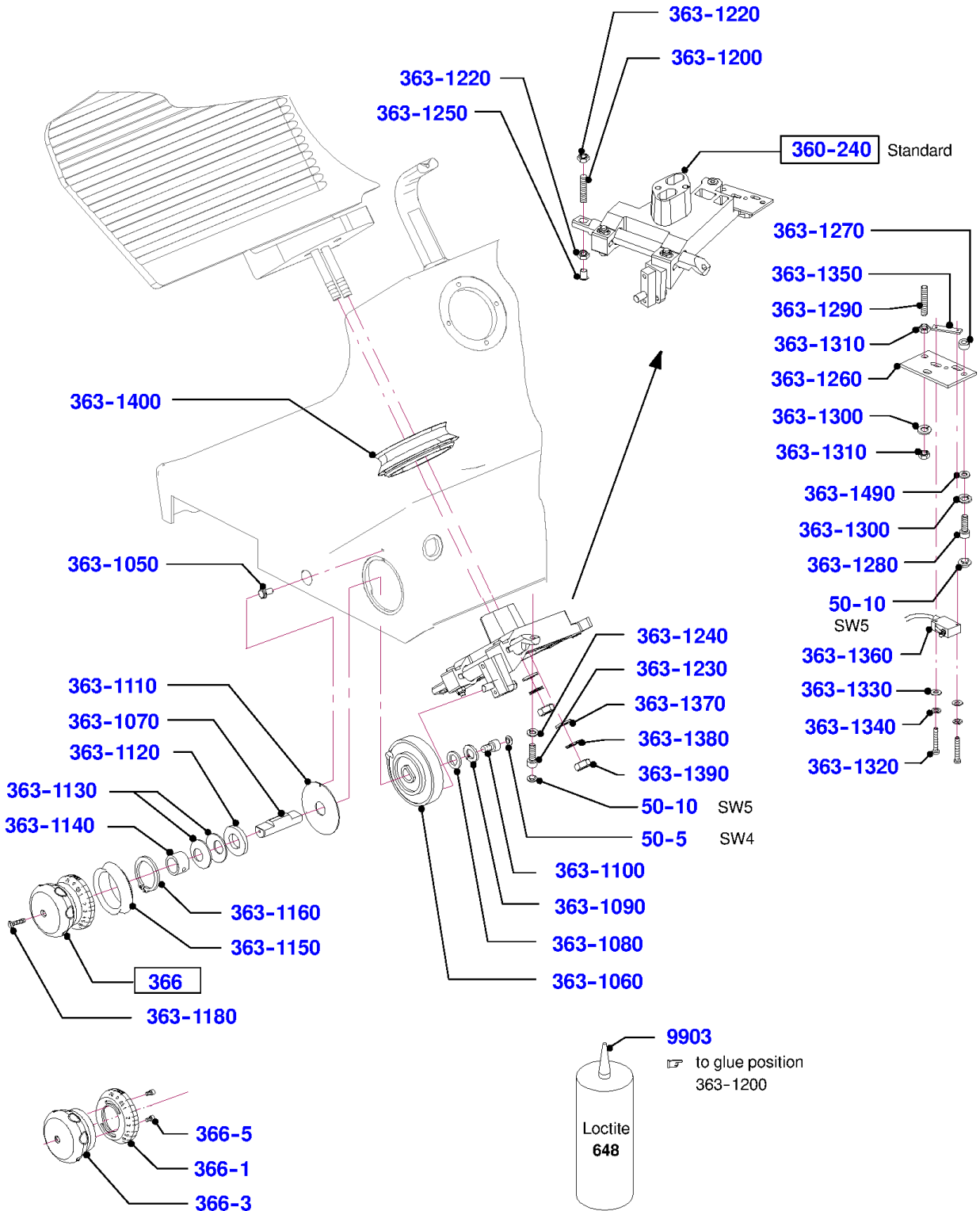
Motor fastening and belt tension



Motor fastening and belt tension

Item	Material No.	Qty	Material description	available for order	Wear part	Recomm. sp. part	Metr. relevance
363-540	60370103001	001	Retaining 12x35x30	✓			
363-550	57442170000	001	Countersunk screw DIN7991 M6x20-A2-70	✓			
363-680	50009811000	001	V-ribbed belt 10 PJ 406	✓	✓	✓	
363-690	40110000099	002	Washer 22x6,5x1,5	✓			
363-700	56765060000	002	Washer DIN9021-6-A2	✓			
363-710	57736450000	002	SOCKET HEAD SCREW DIN 912- M 6X45- 8.8	✓			
363-720	57767060000	002	Spring lock washer DIN128-A6-FSt	✓			
363-750	60220200601	001	washer	✓			
363-760	57767060000	001	Spring lock washer DIN128-A6-FSt	✓			
363-770	60370109701	001	clamping nut	✓			
9900	95972940000	001	LOCTITE 243 10ML	✓			

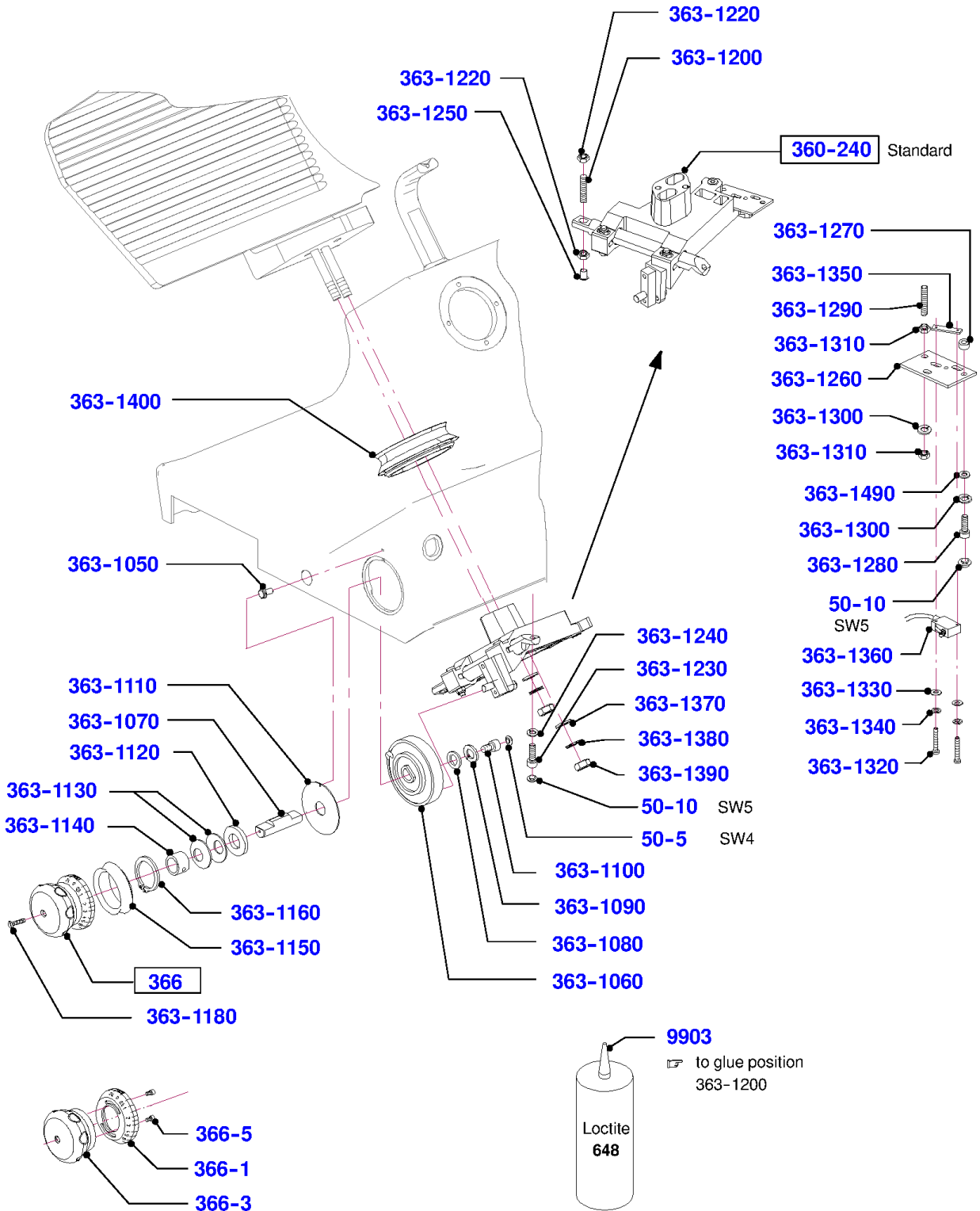
Rotary knob and load arm



Rotary knob and load arm

Item	Material No.	Qty	Material description	available for order	Wear part	Recomm. sp. part	Metr. relevance
50-5	57744860000	001	Protective plug 9x4,2x2,5-PE	✓		✓	
50-10	57744870000	007	Protective plug 10x5,2x3,1-PE	✓		✓	
360-240	60380101701	001	BEARING BRACKET PREASSY.	✓			
360-240	38023851000	001	Bearing bracket preass.	✓			
363-1050	56269330000	001	Round-Head Nail DIN 1476-3x6-PC	✓			
363-1060	38062319001	001	GROOVED CAM LATERAL GROOVE	✓			
363-1070	60370105702	001	ROTARY KNOB SHAFT	✓			
363-1080	56739050000	001	Washer DIN 125-A 5_3 -A2-70 56739050000	✓			
363-1090	57767050000	001	Spring lock washer DIN128-A5-FSt	✓			
363-1100	57747210001	001	Cylinder screw DIN7984 M5x12-8.8	✓		✓	
363-1110	60370105801	001	Washer 70x18,2x2 - 1.4301	✓			
363-1120	40110201009	001	Washer	✓			
363-1130	00110000095	002	disk spring	✓			
363-1140	57920040000	001	Adjusting Ring DIN 705-A18-St	✓			
363-1150	60270101311	001	CHART SEALING RING	✓			
363-1160	57775550000	001	Retaining ring DIN472-55x2	✓			
363-1180	56922570000	001	Counter Sunk Screw DIN 964-M5x25-A2-70	✓			
363-1200	56083380000	001	Set screw ISO4026 M10x50-A2-70	✓			
363-1220	56444820000	002	Hexagon Nut DIN 439-BM10-A2-70	✓			
363-1230	57743430000	001	Cylinder screw DIN 912-M6x20-A2-70	✓			
363-1240	57767060000	001	Spring lock washer DIN128-A6-FSt	✓			
363-1250	50002390000	001	Protective plug 14,5x12,7x9,5-PE	✓			
363-1260	60370106100	001	SUPPORTING RAIL	✓			
363-1270	60370115300	001	Spacer ring	✓			
363-1280	57736200000	001	Cylinder screw DIN912 M6x20-8.8	✓			
363-1290	56083180000	001	Set screw ISO4026 M6x35-A2-70	✓			
363-1300	57767060000	002	Spring lock washer DIN128-A6-FSt	✓			
363-1310	56456600000	002	Hexagon nut DIN934-M6-A2	✓			
363-1320	56805380001	002	Oval-head screw DIN7985 M3x20-4.8	✓			
363-1330	56739030000	002	Washer DIN125-A-3-A2-70 56739030000	✓			
363-1340	57767030000	002	Spring lock washer DIN128-A3-FSt	✓			
363-1350	60380101500	001	nut plate	✓			
363-1360	60386100301	001	SWITCH S870+L500 03L1R032	✓			
363-1370	56739100000	002	Washer DIN125-A-10-A2	✓			
363-1380	57767100000	002	Spring lock washer DIN128-A10-FSt	✓			
363-1390	56456820000	002	Hexagon nut DIN934-M10-A2	✓			
363-1400	60370106311	001	SEALING GAUGE PLATE	✓		✓	
363-1490	56739060000	004	Washer DIN125-A-6-A2	✓			
366	60370119401	001	Rotary knob cpl.	✓			
366-1	60223501702	001	SCALE	✓			
366-3	60370119501	001	ROTARY KNOB	✓			
366-5	57464230000	002	Plastic screw 4x16-St-T20	✓			

Rotary knob and load arm

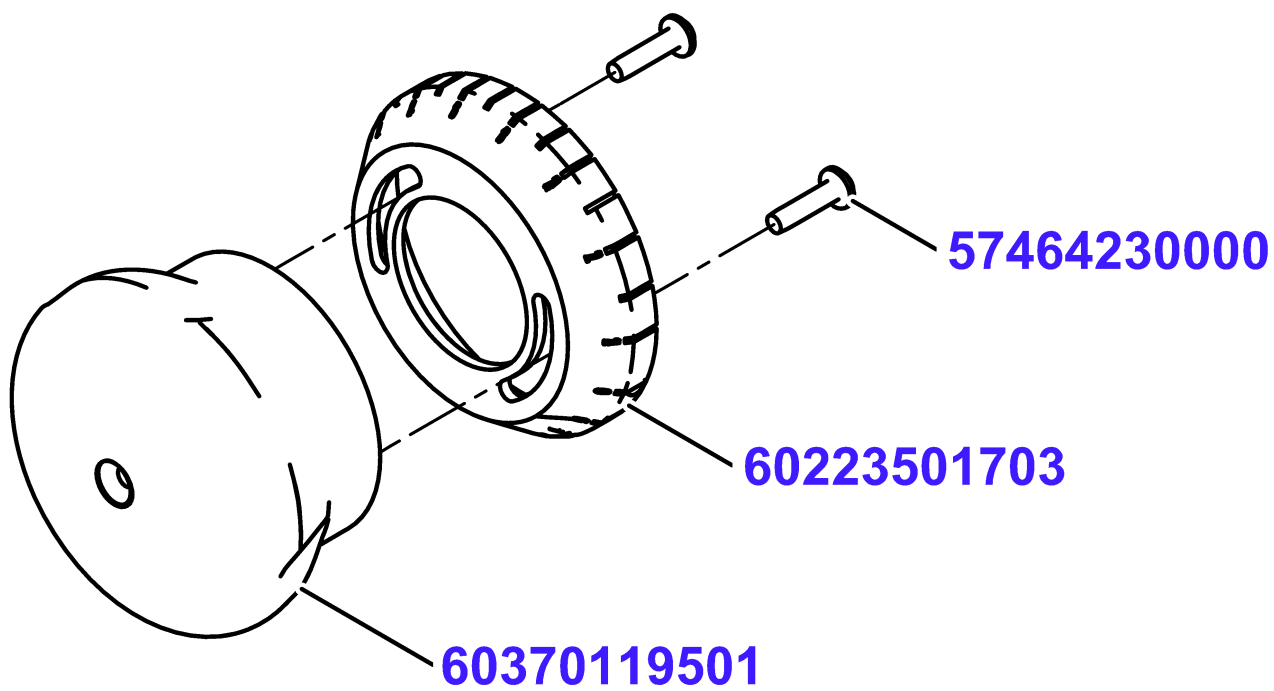


Rotary knob and load arm




available for order
Wear part
Recomm. sp. part
Metr. relevance

Item	Material No.	Qty	Material description
9903	95972840000	001	LOCTITE 648 10M

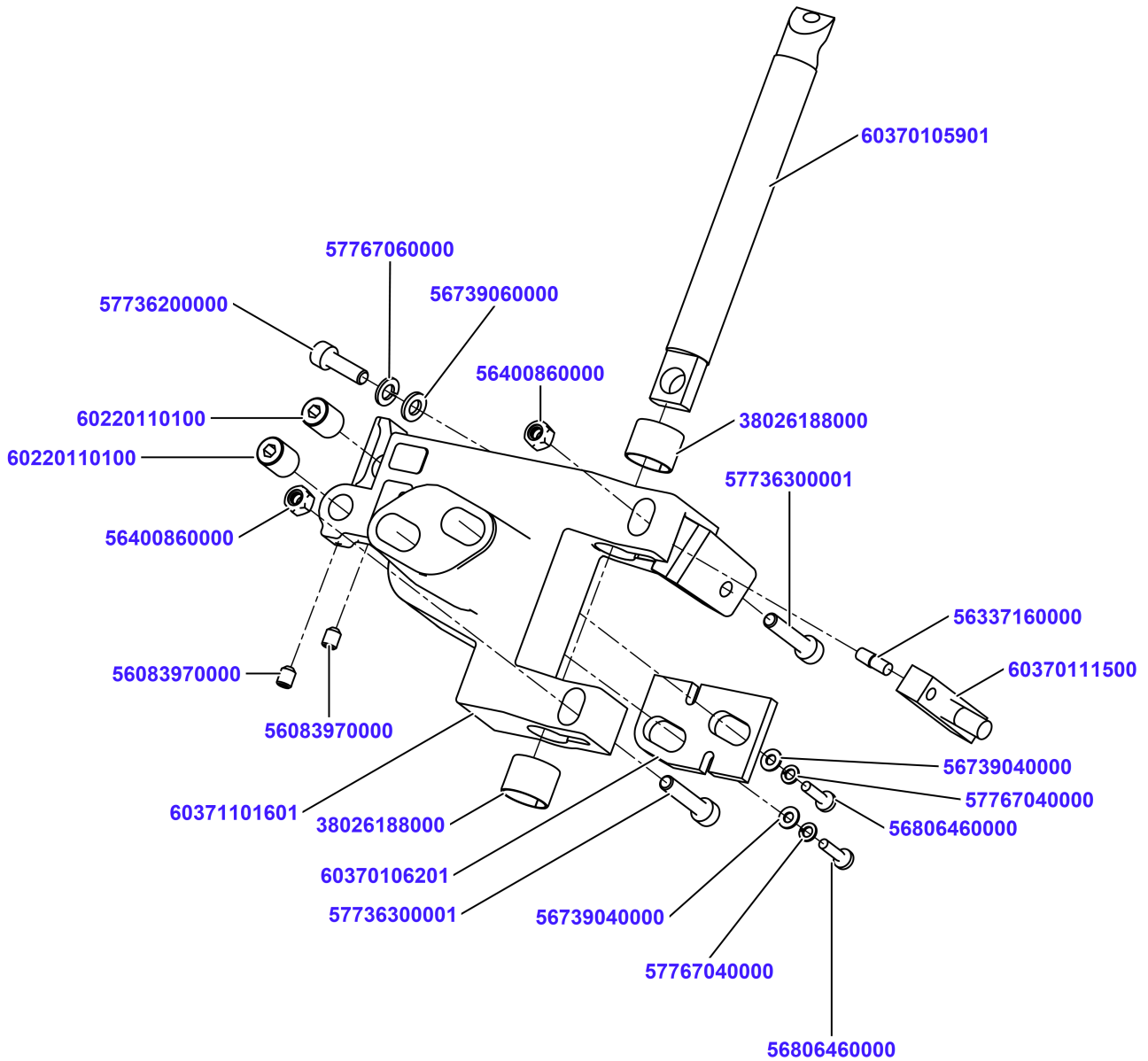
Rotary knob cpl.



















Rotary knob cpl.

Material No.	Qty	Material description	available for order	Wear part	Recomm. sp. part	Metr. relevance
60223501703	1	Scale				
60370119501	1	ROTARY KNOB				
57464230000	2	Plastic screw 4x16-St-T20				

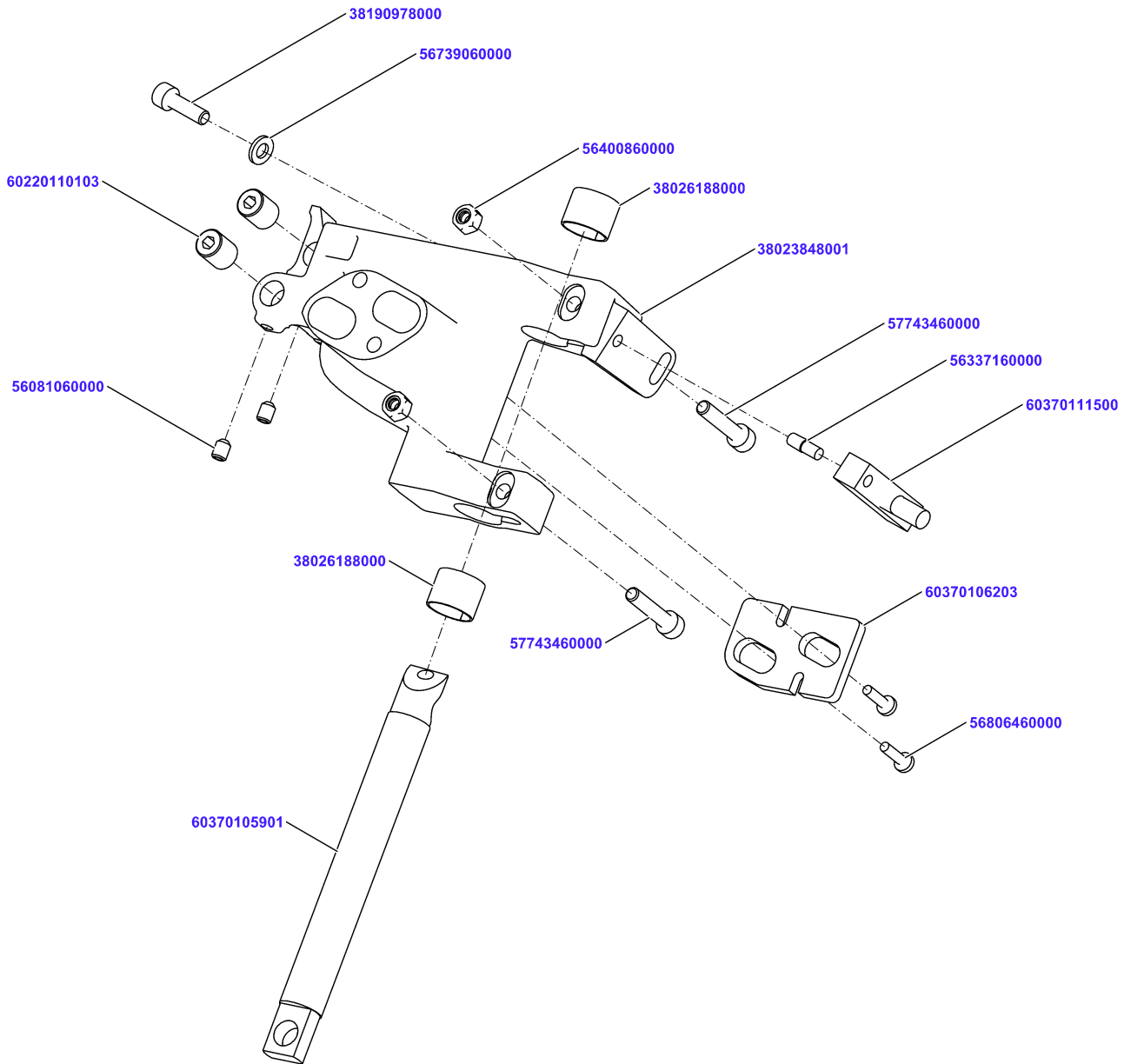
BEARING BRACKET PREASSY.
















BEARING BRACKET PREASSY.

Material No.	Qty	Material description	available for order	Wear part	Recomm. sp. part	Metr. relevance
60371101601	1	BEARING BRACKET				
57736300001	2	Cylinder screw DIN912 M6x30-8.8				
56400860000	2	Locknut DIN 985-M6-A2-70 56400860000				
38026188000	2	Plain bearing 18x20x15				
60370111500	1	lever preassy.				
56337160000	1	Grooved Pin DIN 1474-5x16 A2-70				
57736200000	1	Cylinder screw DIN912 M6x20-8.8				
57767060000	1	Spring lock washer DIN128-A6-FSt				
56739060000	1	Washer DIN125-A-6-A2				
60220110100	2	threaded pin				
56083970000	2	Set screw DIN916 M6x8-45H				
60370105901	1	shaft				
60370106201	1	supporting plate				
56806460000	2	Oval-head screw DIN7985 M4x16-A2-70				
56739040000	2	Washer DIN 125-A 4.3-A2-70 56739040000				
57767040000	2	Spring lock washer DIN128-A4-FSt				

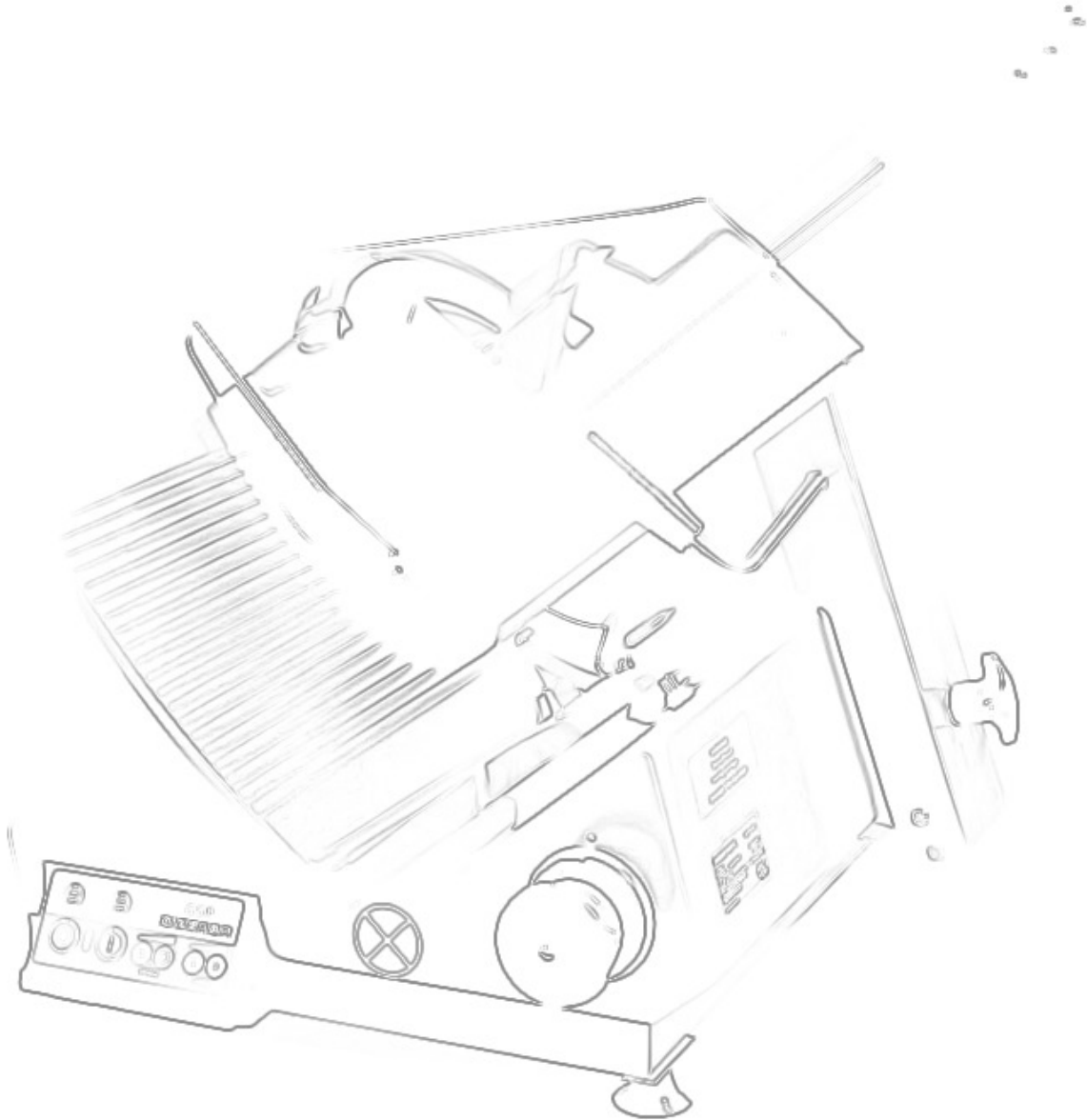
Bearing bracket press.



Bearing bracket preass.

Material No.	Qty	Material description	available for order	Wear part	Recomm. sp. part	Metr. relevance
38023848001	1	Bearing bracket GSP machined				
57743460000	2	Cylinder screw DIN912 M6x30-A2-70				
56400860000	2	Locknut DIN 985-M6-A2-70 56400860000				
38026188000	2	Plain bearing 18x20x15				
60370111500	1	lever preassy.				
56337160000	1	Grooved Pin DIN 1474-5x16 A2-70				
38190978000	1	Cylinder screw M6x20-A2-70 Precote 30-8				
56739060000	1	Washer DIN125-A-6-A2				
60220110103	2	Threaded Bolt M12x1 x 14				
56081060000	2	Set screw DIN916 M6x8-A2-70				
60370105901	1	shaft				
60370106203	1	Supporting plate				
56806460000	2	Oval-head screw DIN7985 M4x16-A2-70				

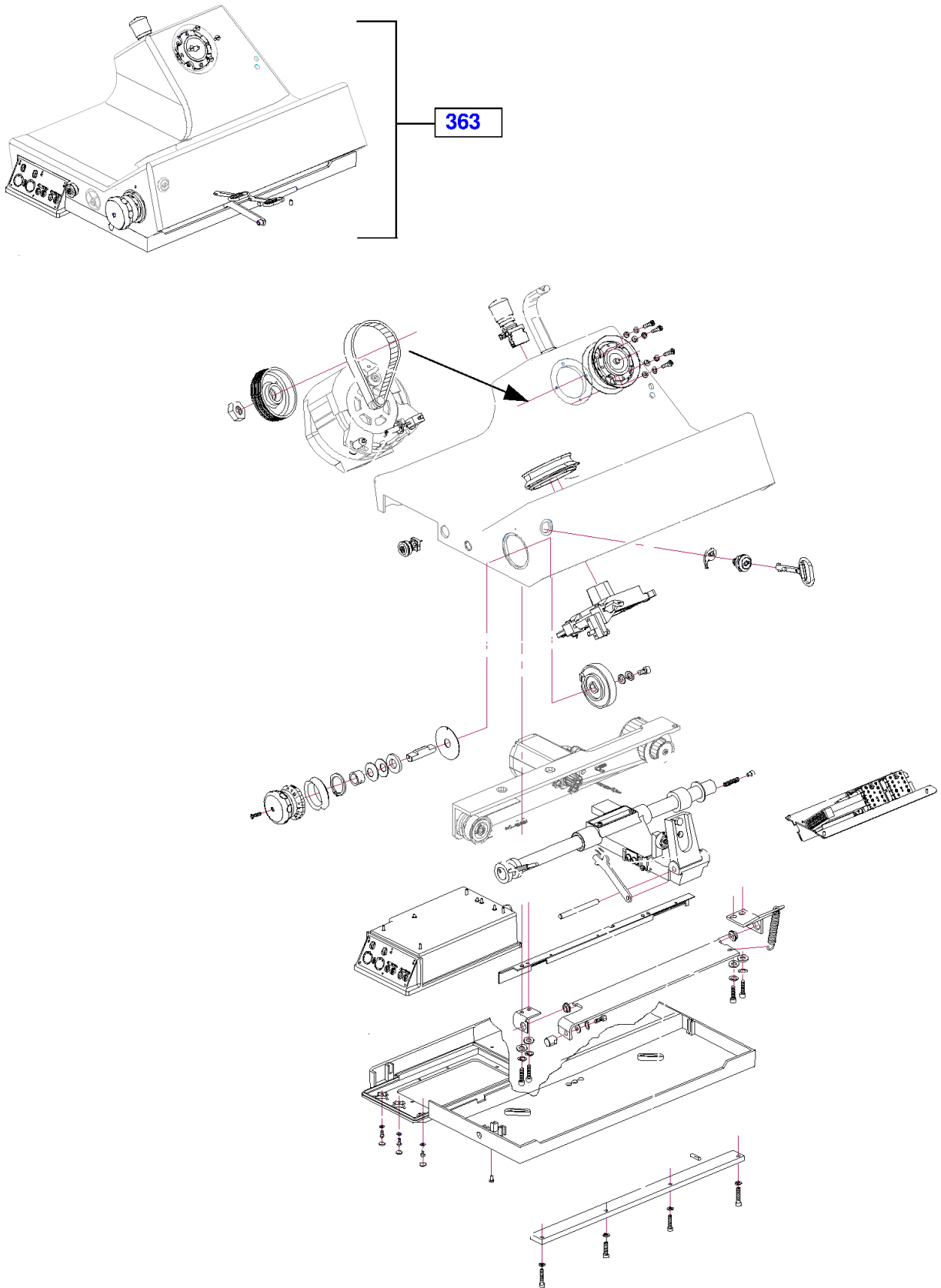
Basic components GSP HD BR




Basic components GSP HD BR

Item	Material No.	Qty	Material description	available for order	Wear part	Recomm. sp. part	Metr. relevance
NaviHotspot	...		Assembly overview				
NaviHotspot	...		Machine housing, blade bearing preass., belt pulley and accessories				
NaviHotspot	...		Off/emergency - switch red yellow, push button emergency stop				
NaviHotspot	...		Motor fastening and belt tension				
NaviHotspot	...		Rotary knob and load arm				
NaviHotspot	...		Carriage guide, sensor support, rail, angle and locking slider				
NaviHotspot	...		Bottom plate and accessories				
NaviHotspot	...		Housing preass. - BR				
NaviHotspot	...		Electronic and cables				
NaviHotspot	...		Fastening carriage drive, rubber foot				
11-450-16	71162160000	001	Nut M16x1.5	✓			
11-450-17	71066120000	001	Screw Plug BLK-M12 71066120000	✓			
11-450-18	71010810000	001	Cable Gland M12x1,5 UL	✓			
11-450-19	71162150000	003	Nut M12x1.5	✓			
11-450-20	71011620000	001	Cable Gland ST11 UL53015020	✓			
11-450-21	71161110000	002	Nut PG 11 DIN 46320 CuZn39Pb3	✓			
11-450-22	71162200000	002	Nut M20x1.5	✓			
11-450-25	60386400403	001	DECO FOIL	✓			
11-450-30	60380313900	001	SILICON TUBE 900 MM	✓			

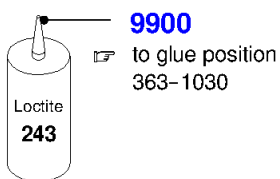
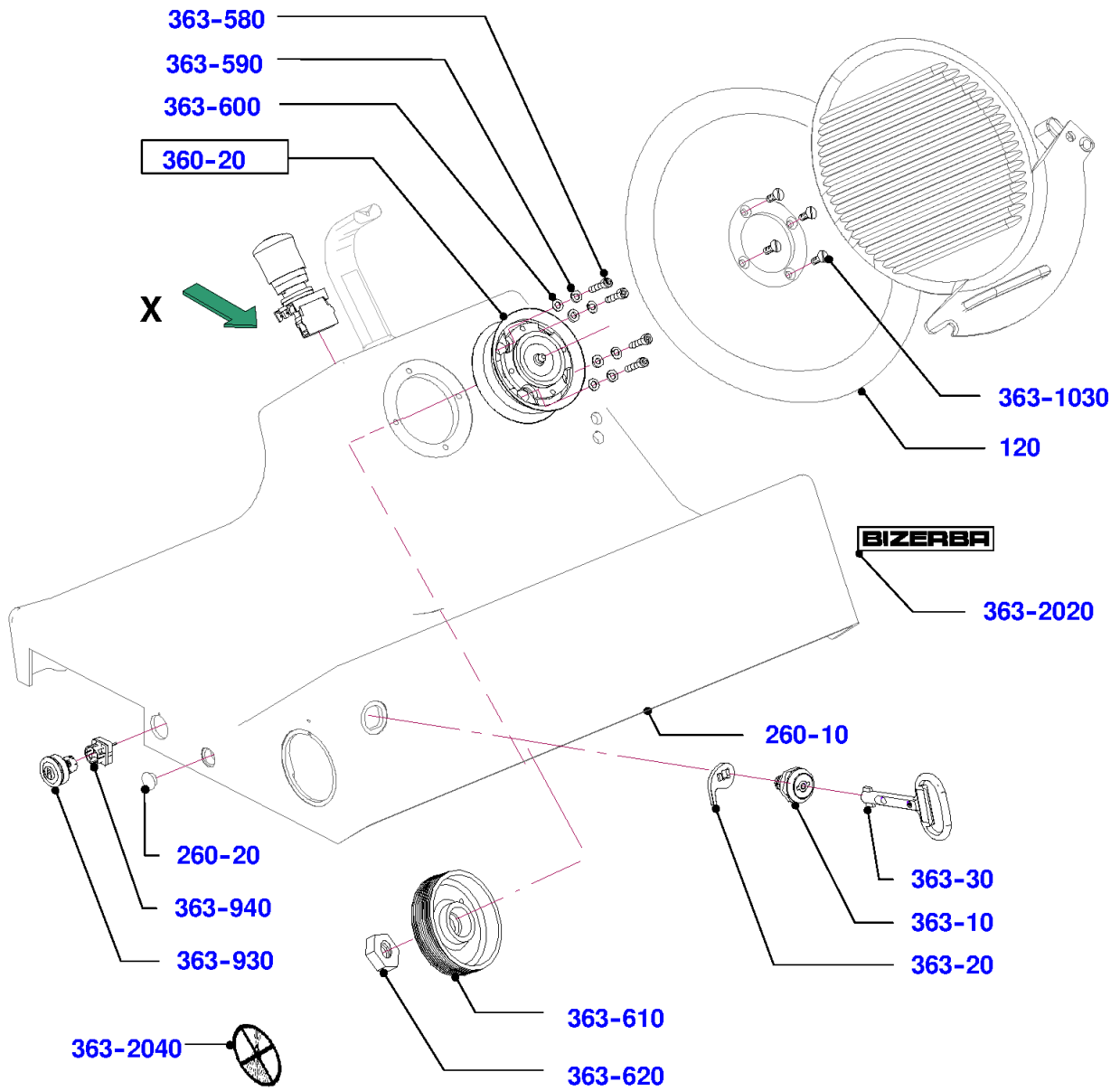
Assembly overview



Assembly overview

Item	Material No.	Qty	Material description	available for order	Wear part	Recomm. sp. part	Metr. relevance
363	60388036201	001	BASIC COMPONENTS GSP HD BR				

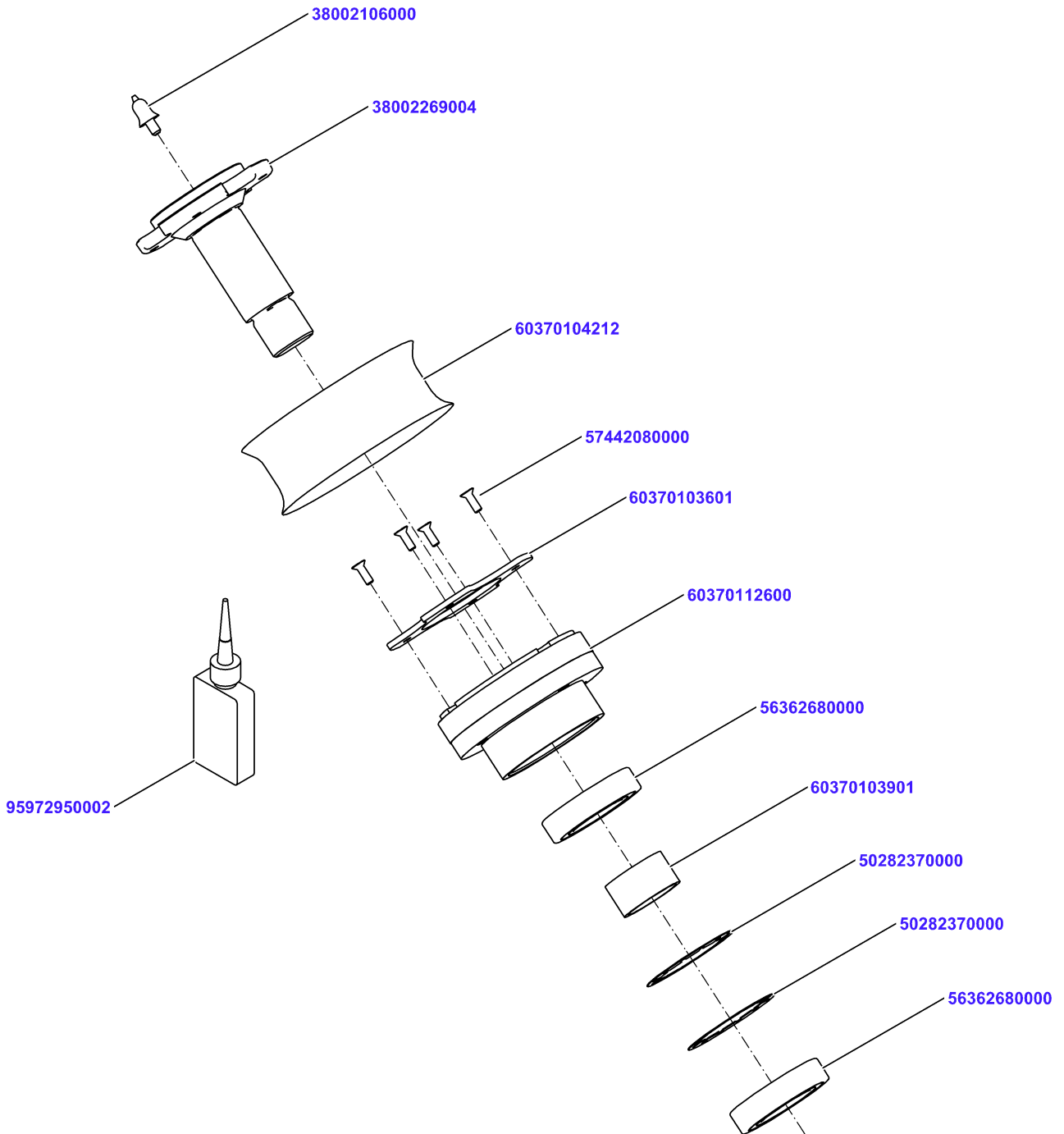
Machine housing, blade bearing preass., belt pulley and accessories













Machine housing, blade bearing preass., belt pulley and accessories

Item	Material No.	Qty	Material description	available for order	Wear part	Recomm. sp. part	Metr. relevance
120	38067777000	001	BLADE 330 C SLAYER - SERVICE	✓			
120	94001000017	001	BLADE CHEESE, VS8/SE8/VF330/A330 G+B.	✓			
120	94001000013	001	BLADE, 4- HOLE, VS8/SE8/VF330/A330/A400 RA	✓			
120	94001000059	001	Bread blade 330 C teathed Service	✓			
260-10	60381600101	001	MACHINE HOUSING RAISED LIP	✓			
260-10	60381690101	001	MACHINE HOUSING RAISED LIP C	✓			
260-10	60380340102	001	MACHINE HOUSING RAISED LIP BR	✓			
260-20	56777181000	002	Sealing washer DIN470 18-AI	✓			
260-20	38017693000	002	Verschluss Scheibe C Nachfolg 56777181000	✓			
360-20	38002647001	001	Blade bearing preass.	✓			
363-10	38059802000	001	SAFETY TURNING BOLT	✓			
363-20	38059703002	001	BOLT GSP BRAZIL	✓			
363-30	38059809000	002	TWO- WAY KEY BIT 5MM FORM A	✓			
363-580	57743440000	004	Socket Head Screw DIN 912-M6x25-A2-70	✓			
363-590	57767060000	004	Spring lock washer DIN128-A6-FSt	✓			
363-600	56739060000	004	Washer DIN125-A-6-A2	✓			
363-610	60370104100	001	Belt pulley PolyV	✓			
363-620	60370104301	001	HEXAGONAL NUT	✓			
363-930	38012263000	001	ACTUATOR BLACK	✓			
363-940	38012265000	001	CONTACT BLOCKS 1X INVERTER	✓			
363-1030	57630620000	004	Countersunk screw DIN963 M6x12-A2-70	✓			
363-2020	60800116900	001	Bizerba character font	✓			
363-2040	60544808100	001	REFERENCE PLATE "DO NOT CLEAN WITH HOSE"	✓			
9900	95972940000	001	LOCTITE 243 10ML	✓			

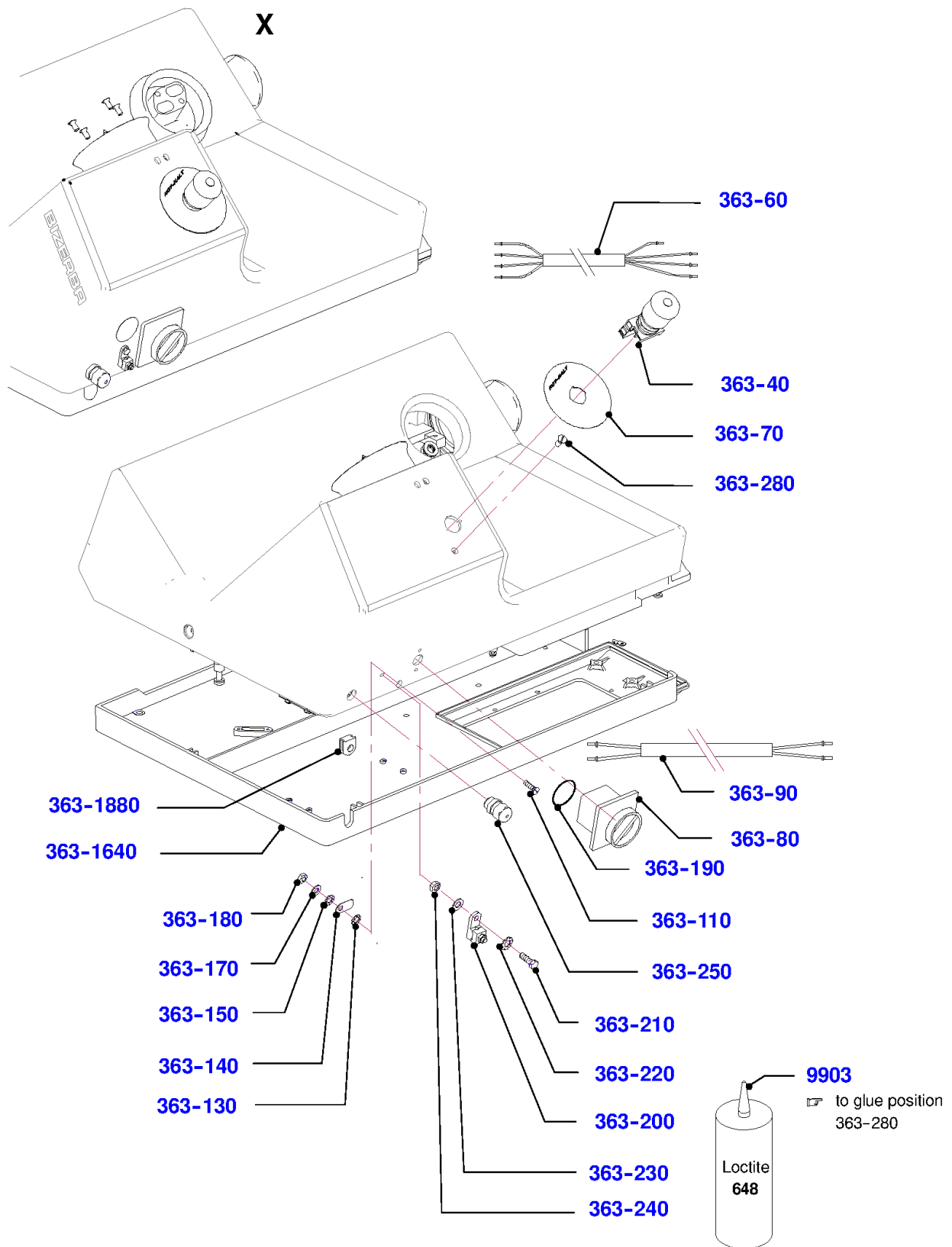
Blade bearing preass.



Blade bearing preass.

Material No.	Qty	Material description	available for order	Wear part	Recomm. sp. part	Metr. relevance
60370112600	1	Bearing bushing 90x46				
56362680000	2	Grooved ball bearing 30x55x13 6006-2NSE9				
60370103901	1	Spacer ring 19mm				
50282370000	2	Disc spring 54,5x40,5x0,45				
60370103601	1	retaining ring				
57442080000	4	Countersunk Screw DIN7991 M4x12-A2-70				
38002269004	1	Blade shaft				
38002106000	1	Shoring bolt				
95972950002	0,001	Loctite 243 50 ml 95972950002				
60370104212	1	Sealing ring blade 108x84x40				

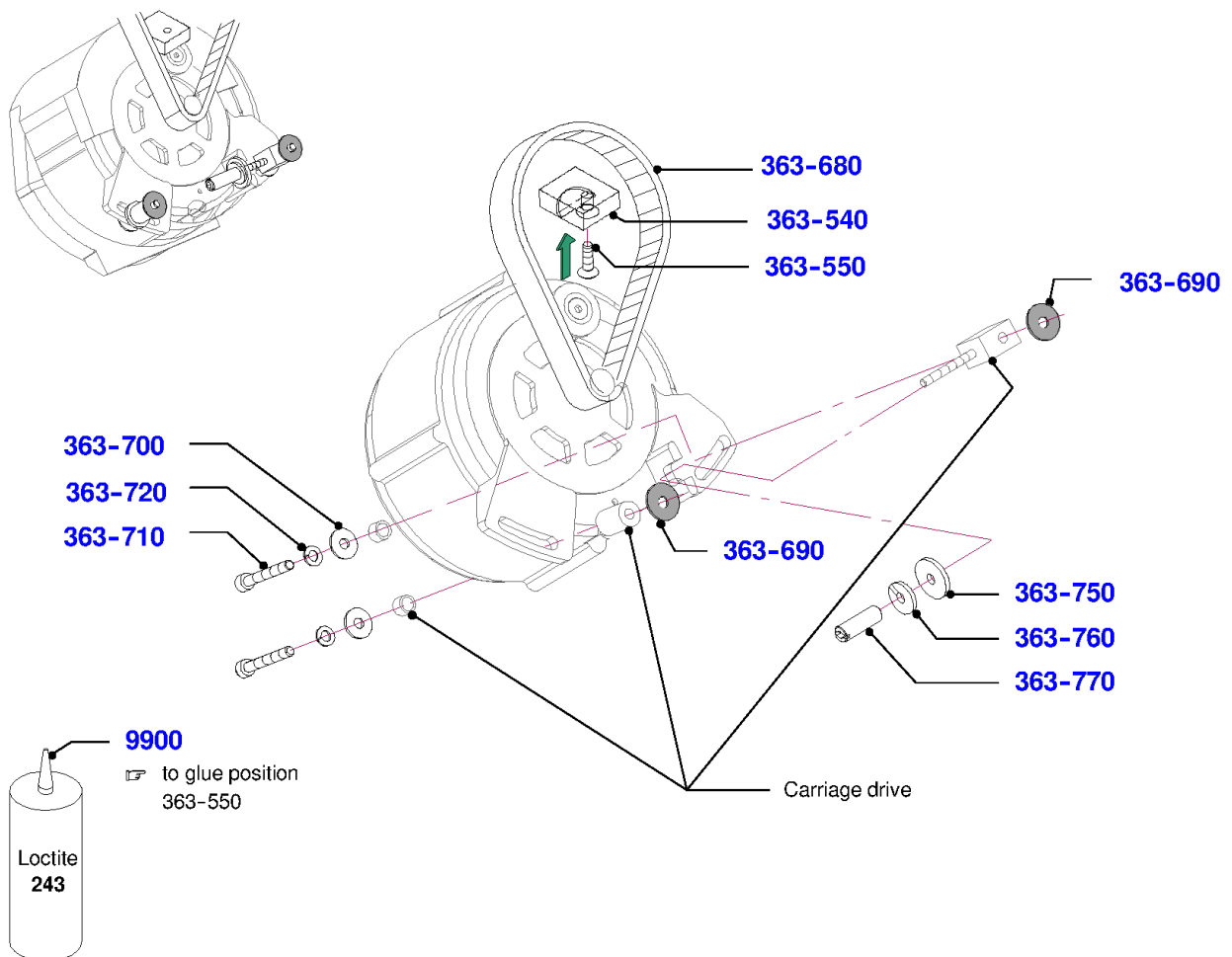
Off/emergency - switch red yellow, push button emergency stop



Off/emergency - switch red yellow, push button emergency stop

Item	Material No.	Qty	Material description	available for order	Wear part	Recomm. sp. part	Metr. relevance
363-40	38057481000	001	Push Button Emergency Stop M22-PV/K01				
363-60	38062854000	001	KA RD 5G0,5 0,98M				
363-70	38057418000	001	EMERGENCY LABEL DE, EN, ES, PT				
363-80	71217390000	001	Off/Emergency-Switch red yellow				
363-90	38062877000	001	KA RD 2X0,75 0,68M				
363-110	57630450000	001	Countersunk Screw DIN963 M4x16-A2-70				
363-130	57758610000	001	Toothed washer DIN6797-A 4,3-Fst				
363-140	50250100000	001	Grounding Plate 9x17/4.3 D				
363-150	57758610000	001	Toothed washer DIN6797-A 4,3-Fst				
363-170	56739040000	001	Washer DIN 125-A 4.3-A2-70 56739040000				
363-180	56456400000	001	Hexagon nut DIN934-M4-A2				
363-190	38060800000	001	Label Potential Equalization				
363-200	38060694000	001	Ground Terminal 10mm2				
363-210	57430160000	001	Hexagon Screw DIN 933-M5x16-A2				
363-220	57758620000	001	Toothed Washer DIN 6797-A 5_3-FS				
363-230	56739050000	001	Washer DIN 125-A 5_3 -A2-70 56739050000				
363-240	56456500000	001	Hexagon Nut DIN 934-M5-A2-70				
363-250	71010820000	001	Cable Gland M16 UL 53111010				
363-280	57630430000	001	Countersunk Screw DIN 963-M4x10-A2-70				
363-1640	60380315703	001	BOTTOM PLATE GREY				
363-1880	60820315800	001	rubber bushing				
9903	95972840000	001	LOCTITE 648 10M				

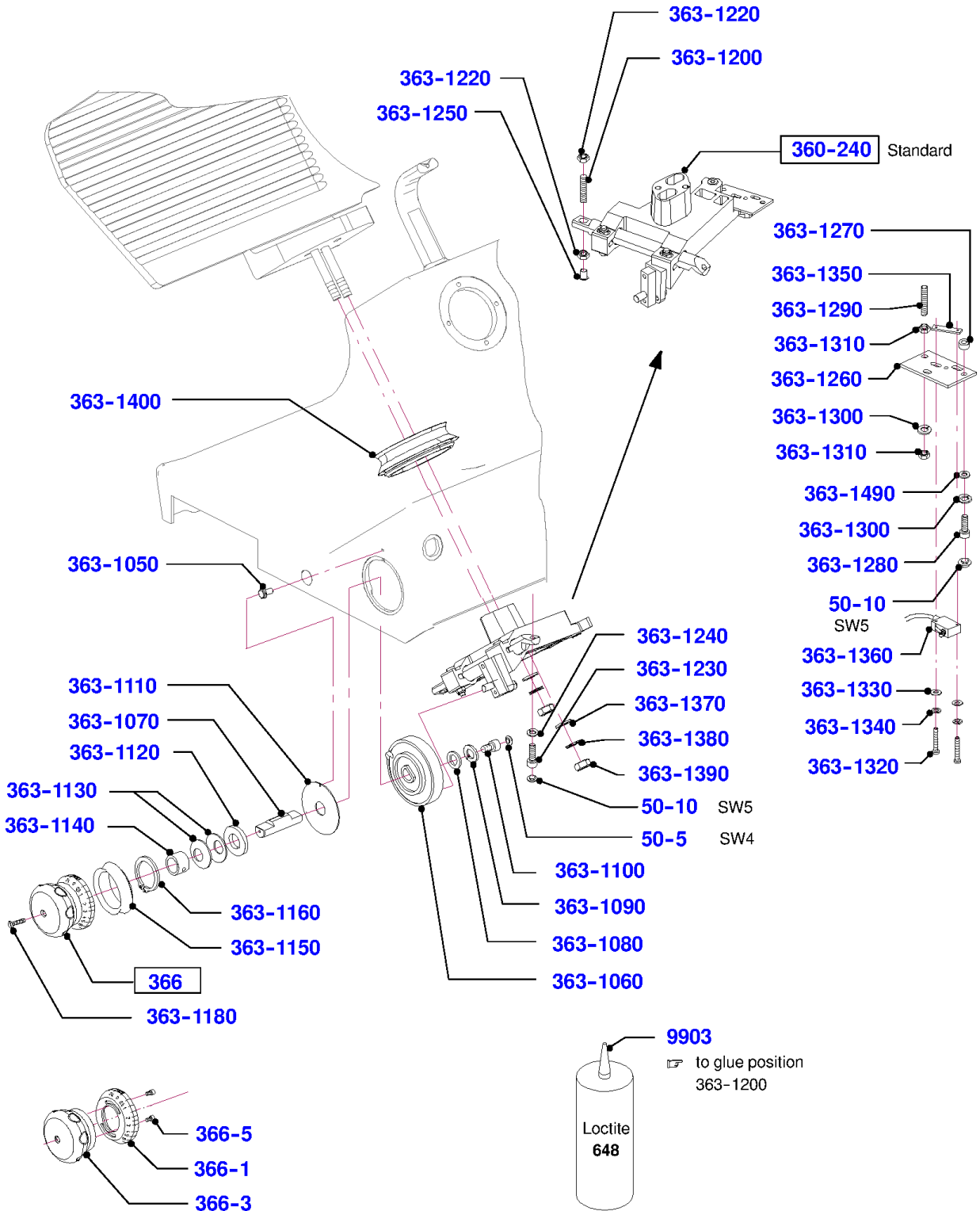
Motor fastening and belt tension



Motor fastening and belt tension

Item	Material No.	Qty	Material description	available for order	Wear part	Recomm. sp. part	Metr. relevance
363-540	60370103001	001	Retaining 12x35x30	✓			
363-550	57442170000	001	Countersunk screw DIN7991 M6x20-A2-70	✓			
363-680	50009811000	001	V-ribbed belt 10 PJ 406	✓	✓	✓	
363-690	40110000099	002	Washer 22x6,5x1,5	✓			
363-700	56765060000	002	Washer DIN9021-6-A2	✓			
363-710	57736450000	002	SOCKET HEAD SCREW DIN 912- M 6X45- 8.8	✓			
363-720	57767060000	002	Spring lock washer DIN128-A6-FSt	✓			
363-750	60220200601	001	washer	✓			
363-760	57767060000	001	Spring lock washer DIN128-A6-FSt	✓			
363-770	60370109701	001	clamping nut	✓			
9900	95972940000	001	LOCTITE 243 10ML	✓			

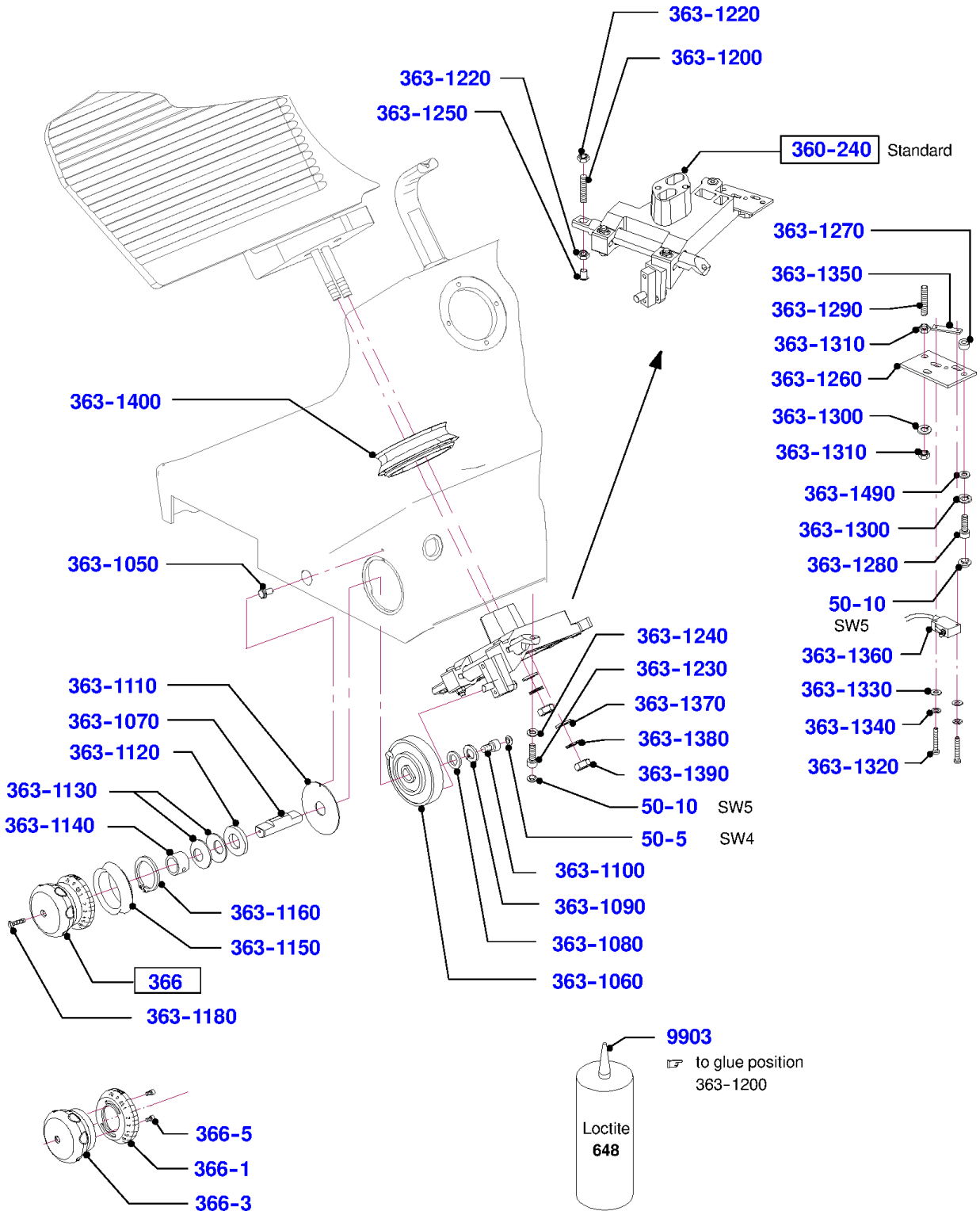
Rotary knob and load arm



Rotary knob and load arm


Item	Material No.	Qty	Material description	available for order	Wear part	Recomm. sp. part	Metr. relevance
50-5	57744860000	001	Protective plug 9x4,2x2,5-PE	✓		✓	
50-10	57744870000	007	Protective plug 10x5,2x3,1-PE	✓		✓	
360-240	60380101701	001	BEARING BRACKET PREASSY.	✓			
360-240	38023851000	001	Bearing bracket preass.	✓			
363-1050	56269330000	001	Round-Head Nail DIN 1476-3x6-PC	✓			
363-1060	38062319001	001	GROOVED CAM LATERAL GROOVE	✓			
363-1070	60370105702	001	ROTARY KNOB SHAFT	✓			
363-1080	56739050000	001	Washer DIN 125-A 5_3 -A2-70 56739050000	✓			
363-1090	57767050000	001	Spring lock washer DIN128-A5-FSt	✓			
363-1100	57747210001	001	Cylinder screw DIN7984 M5x12-8.8	✓		✓	
363-1110	60370105801	001	Washer 70x18,2x2 - 1.4301	✓			
363-1120	40110201009	001	Washer	✓			
363-1130	00110000095	002	disk spring	✓			
363-1140	57920040000	001	Adjusting Ring DIN 705-A18-St	✓			
363-1150	60270101311	001	CHART SEALING RING	✓			
363-1160	57775550000	001	Retaining ring DIN472-55x2	✓			
363-1180	56922570000	001	Counter Sunk Screw DIN 964-M5x25-A2-70	✓			
363-1200	56083380000	001	Set screw ISO4026 M10x50-A2-70	✓			
363-1220	56444820000	002	Hexagon Nut DIN 439-BM10-A2-70	✓			
363-1230	57743430000	001	Cylinder screw DIN 912-M6x20-A2-70	✓			
363-1240	57767060000	001	Spring lock washer DIN128-A6-FSt	✓			
363-1250	50002390000	001	Protective plug 14,5x12,7x9,5-PE	✓			
363-1260	60370106100	001	SUPPORTING RAIL	✓			
363-1270	60370115300	001	Spacer ring	✓			
363-1280	57736200000	001	Cylinder screw DIN912 M6x20-8.8	✓			
363-1290	56083180000	001	Set screw ISO4026 M6x35-A2-70	✓			
363-1300	57767060000	002	Spring lock washer DIN128-A6-FSt	✓			
363-1310	56456600000	002	Hexagon nut DIN934-M6-A2	✓			
363-1320	56805380001	002	Oval-head screw DIN7985 M3x20-4.8	✓			
363-1330	56739030000	002	Washer DIN125-A-3-A2-70 56739030000	✓			
363-1340	57767030000	002	Spring lock washer DIN128-A3-FSt	✓			
363-1350	60380101500	001	nut plate	✓			
363-1360	60386100301	001	SWITCH S870+L500 03L1R032	✓			
363-1370	56739100000	002	Washer DIN125-A-10-A2	✓			
363-1380	57767100000	002	Spring lock washer DIN128-A10-FSt	✓			
363-1390	56456820000	002	Hexagon nut DIN934-M10-A2	✓			
363-1400	60370106311	001	SEALING GAUGE PLATE	✓		✓	
363-1490	56739060000	004	Washer DIN125-A-6-A2	✓			
366	60370119401	001	Rotary knob cpl.	✓			
366-1	60223501702	001	SCALE	✓			
366-3	60370119501	001	ROTARY KNOB	✓			
366-5	57464230000	002	Plastic screw 4x16-St-T20	✓			

Rotary knob and load arm

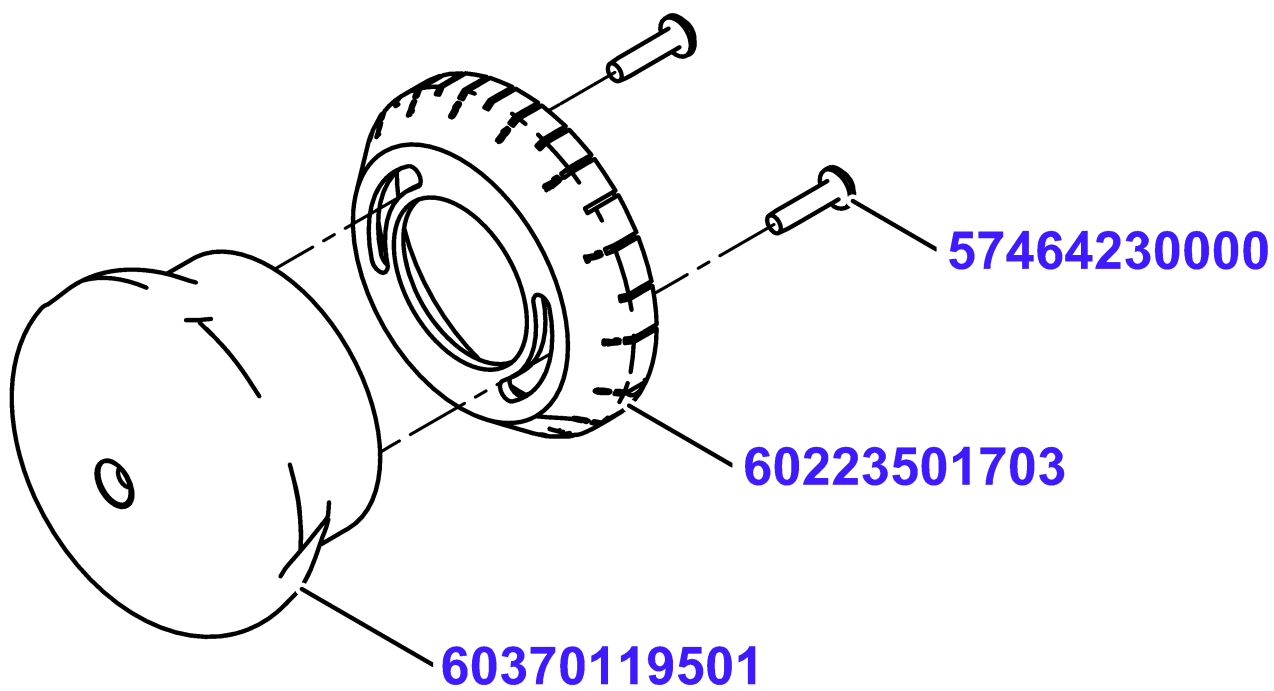


Rotary knob and load arm




Item	Material No.	Qty	Material description
9903	95972840000	001	LOCTITE 648 10M

	available for order	Wear part	Recomm. sp. part	Metr. relevance
---	---------------------	-----------	------------------	-----------------

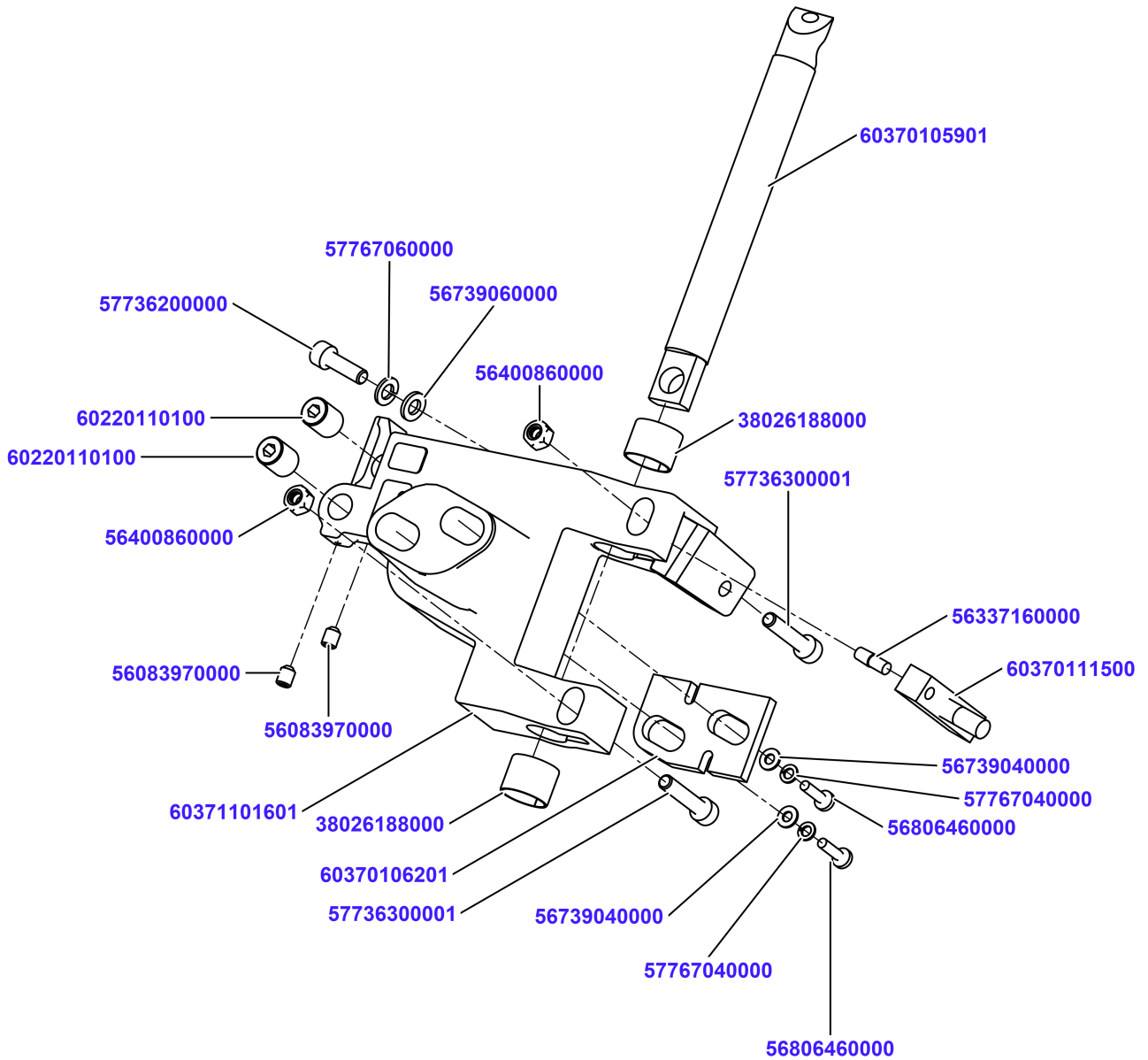
Rotary knob cpl.



















Rotary knob cpl.

Material No.	Qty	Material description	available for order	Wear part	Recomm. sp. part	Metr. relevance
60223501703	1	Scale				
60370119501	1	ROTARY KNOB				
57464230000	2	Plastic screw 4x16-St-T20				

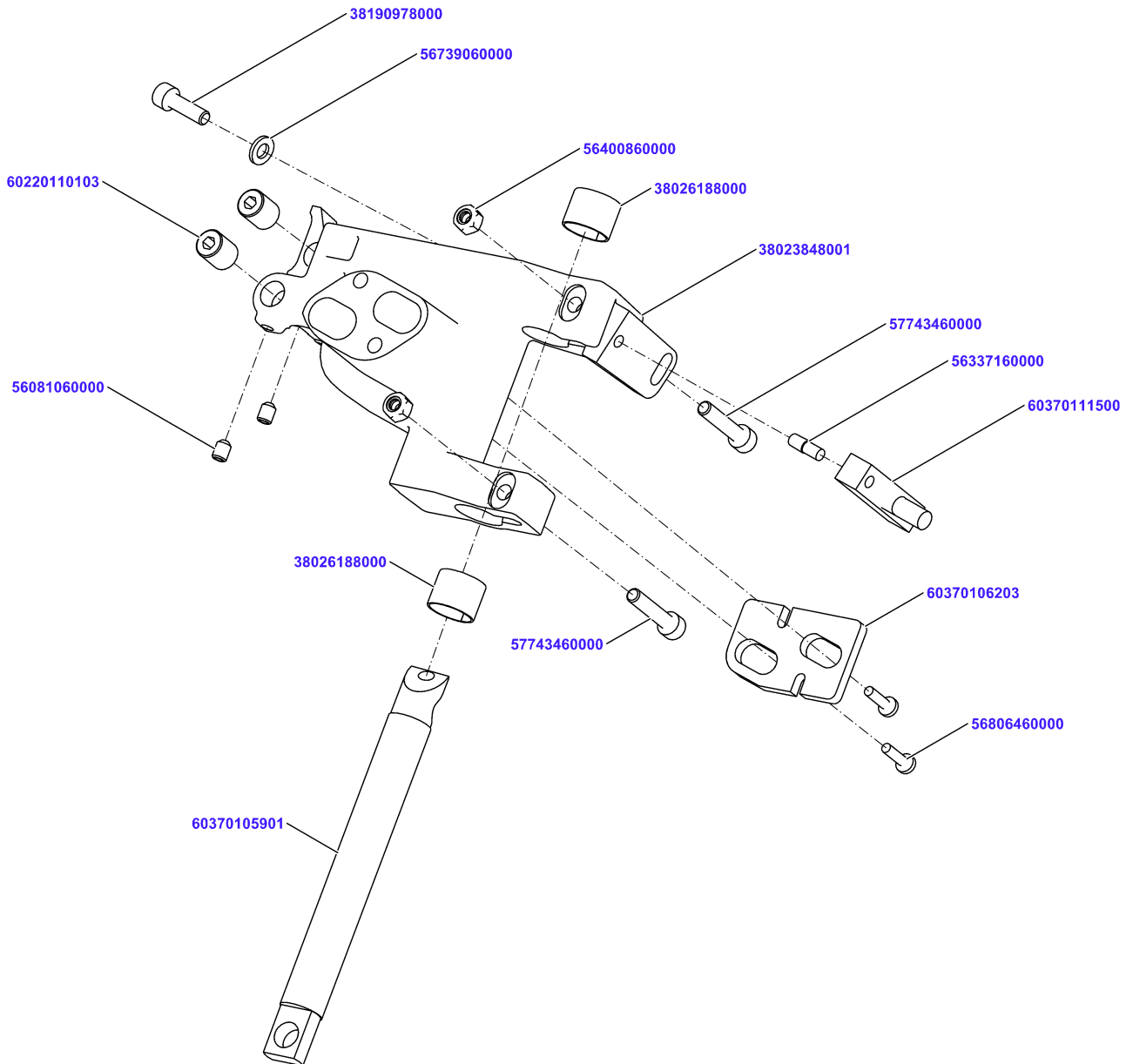
BEARING BRACKET PREASSY.
















BEARING BRACKET PREASSY.

Material No.	Qty	Material description	available for order	Wear part	Recomm. sp. part	Metr. relevance
60371101601	1	BEARING BRACKET				
57736300001	2	Cylinder screw DIN912 M6x30-8.8				
56400860000	2	Locknut DIN 985-M6-A2-70 56400860000				
38026188000	2	Plain bearing 18x20x15				
60370111500	1	lever preassy.				
56337160000	1	Grooved Pin DIN 1474-5x16 A2-70				
57736200000	1	Cylinder screw DIN912 M6x20-8.8				
57767060000	1	Spring lock washer DIN128-A6-FSt				
56739060000	1	Washer DIN125-A-6-A2				
60220110100	2	threaded pin				
56083970000	2	Set screw DIN916 M6x8-45H				
60370105901	1	shaft				
60370106201	1	supporting plate				
56806460000	2	Oval-head screw DIN7985 M4x16-A2-70				
56739040000	2	Washer DIN 125-A 4.3-A2-70 56739040000				
57767040000	2	Spring lock washer DIN128-A4-FSt				

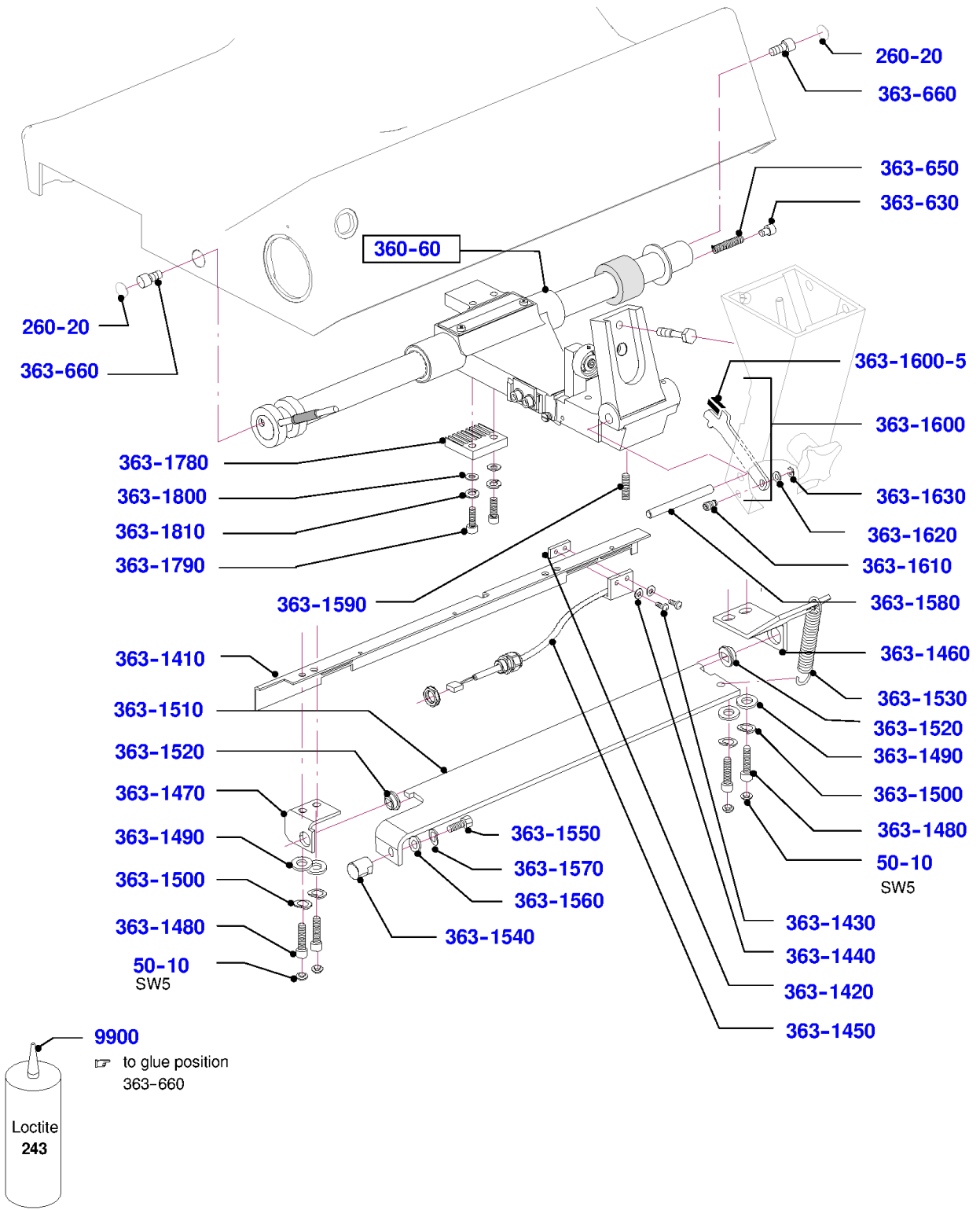
Bearing bracket press.



Bearing bracket preass.

Material No.	Qty	Material description	available for order	Wear part	Recomm. sp. part	Metr. relevance
38023848001	1	Bearing bracket GSP machined				
57743460000	2	Cylinder screw DIN912 M6x30-A2-70				
56400860000	2	Locknut DIN 985-M6-A2-70 56400860000				
38026188000	2	Plain bearing 18x20x15				
60370111500	1	lever preassy.				
56337160000	1	Grooved Pin DIN 1474-5x16 A2-70				
38190978000	1	Cylinder screw M6x20-A2-70 Precote 30-8				
56739060000	1	Washer DIN125-A-6-A2				
60220110103	2	Threaded Bolt M12x1 x 14				
56081060000	2	Set screw DIN916 M6x8-A2-70				
60370105901	1	shaft				
60370106203	1	Supporting plate				
56806460000	2	Oval-head screw DIN7985 M4x16-A2-70				

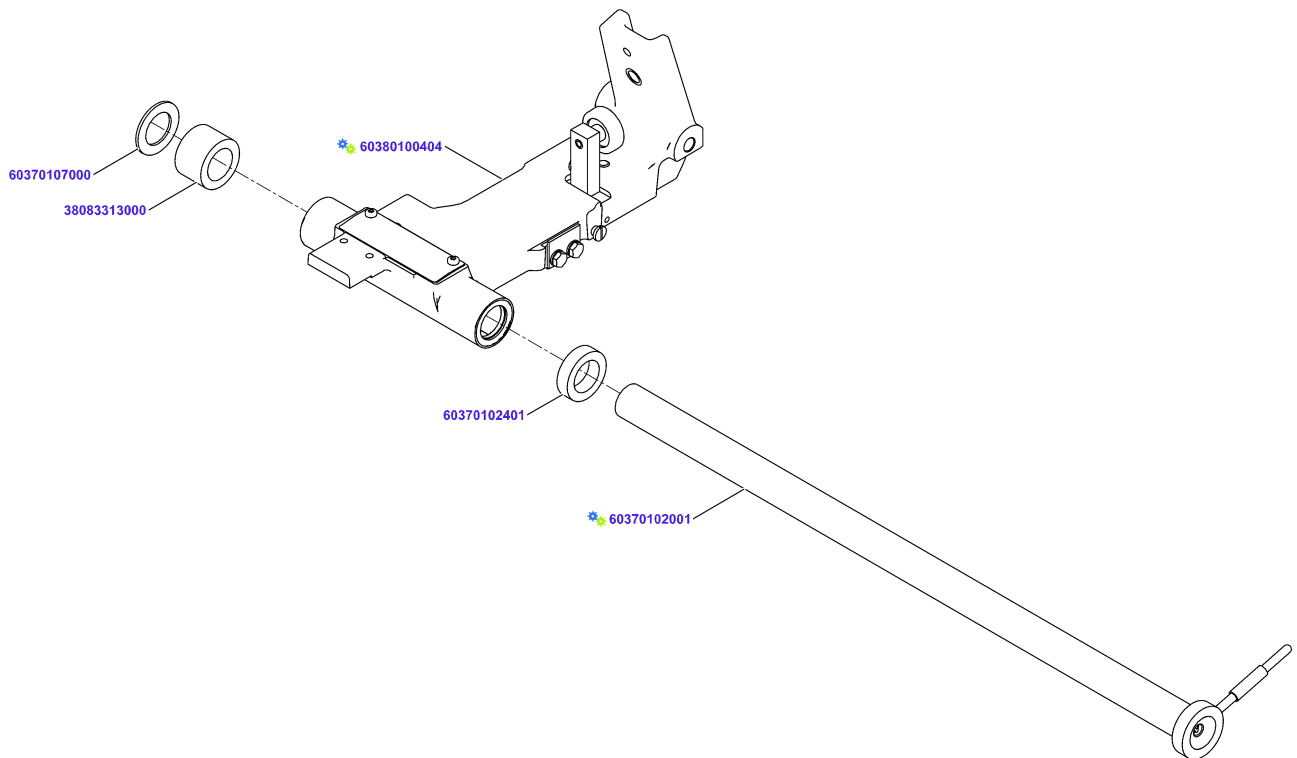
Carriage guide, sensor support, rail, angle and locking slider



Carriage guide, sensor support, rail, angle and locking slider

Item	Material No.	Qty	Material description	available for order	Wear part	Recomm. sp. part	Metr. relevance
50-10	57744870000	007	Protective plug 10x5,2x3,1-PE	✓		✓	
260-20	56777181000	002	Sealing washer DIN470 18-AI	✓			
260-20	38017693000	002	Verschluss Scheibe C Nachfolg 56777181000	✓			
360-60	60380100302	001	Carriage guide cpl. HD	✓			
363-630	60180300028	001	Bolt 8X5	✓			
363-650	50275150000	001	Comp. spring 8,5x6,1x29,4x15,57-5,761	✓			
363-660	60370101900	002	SCREW	✓			
363-1410	60384143100	001	SENSOR SUPPORT	✓			
363-1420	60380315100	001	Nut plate	✓			
363-1430	56805410000	002	OVAL- HEAD SCREW DIN 7985- M4X6- 5.8	✓			
363-1440	56739040000	002	Washer DIN 125-A 4.3-A2-70 56739040000	✓			
363-1450	60386103100	001	SENSOR ENDPOS SE12D	✓		✓	
363-1460	60370106401	001	ANGLE, BACK	✓			
363-1470	60370106501	001	ANGLE, FRONT	✓			
363-1480	57736160001	004	Cylinder screw DIN912 M6x16-8.8	✓			
363-1490	56739060000	004	Washer DIN125-A-6-A2	✓			
363-1500	57767060000	004	Spring lock washer DIN128-A6-FSt	✓			
363-1510	60370106602	001	RAIL	✓			
363-1520	60370106700	002	Bearing jack	✓			
363-1530	50998960000	001	Tension spring 12x27,8x7,98-1,015	✓			
363-1540	60370106900	001	distance washer	✓			
363-1550	57347160000	001	HEXAGON SCREW DIN 933- M6X16- 8.8	✓			
363-1560	56739060000	001	Washer DIN125-A-6-A2	✓			
363-1570	57767060000	001	Spring lock washer DIN128-A6-FSt	✓			
363-1580	60370108700	001	shaft	✓			
363-1590	56083980000	001	Set screw DIN916 M6x12-A2-70	✓			
363-1600	60370108900	001	locking slider, compl.	✓			
363-1600-5	60370116100	001	Pre-cut Shrink Sleeve GR 6.4 - 30	✓			
363-1610	60370110700	001	bearing bolt	✓			
363-1620	60800105000	001	WASHER 8,2 X 13,8 X 0,8	✓		✓	
363-1630	57750600000	001	Retaining washer DIN6799-6	✓			
363-1780	60384112500	001	Clamping Plug	✓			
363-1790	57743440000	002	Socket Head Screw DIN 912-M6x25-A2-70	✓			
363-1800	56739060000	002	Washer DIN125-A-6-A2	✓			
363-1810	57767060000	002	Spring lock washer DIN128-A6-FSt	✓			
9900	95972940000	001	LOCTITE 243 10ML	✓			

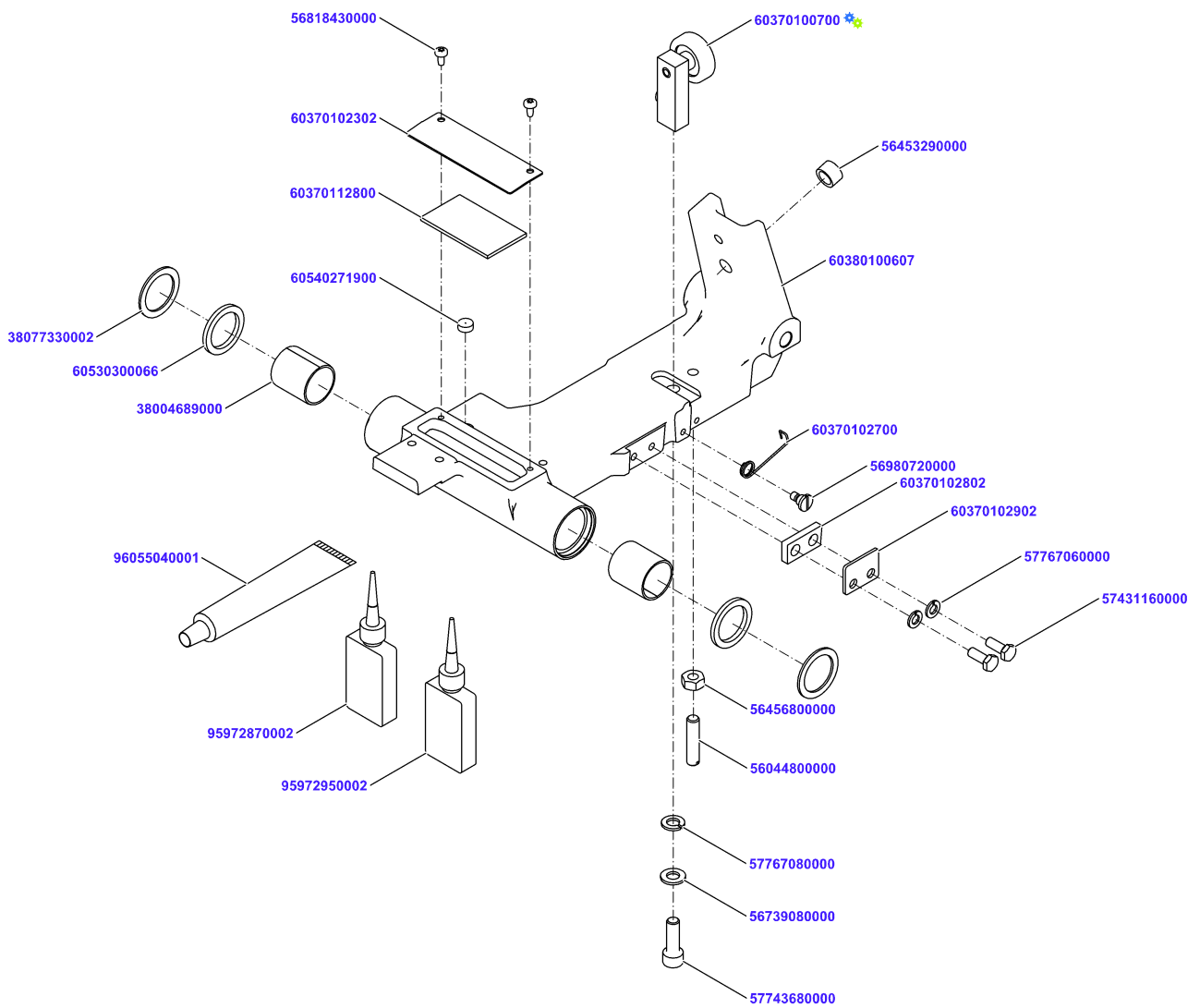
Carriage guide cpl. HD



Carriage guide cpl. HD

Material No.	Qty	Material description	available for order	Wear part	Recomm. sp. part	Metr. relevance
60380100404	1	Carriage guide preass 330 multi				
60370102001	1	Carriage shaft preass.				
60370102401	1	Shock absorber 38x24,5x10	✓			
38083313000	1	Shock absorber 38x24,5x25	✓			
60370107000	1	Buffer disk	✓			

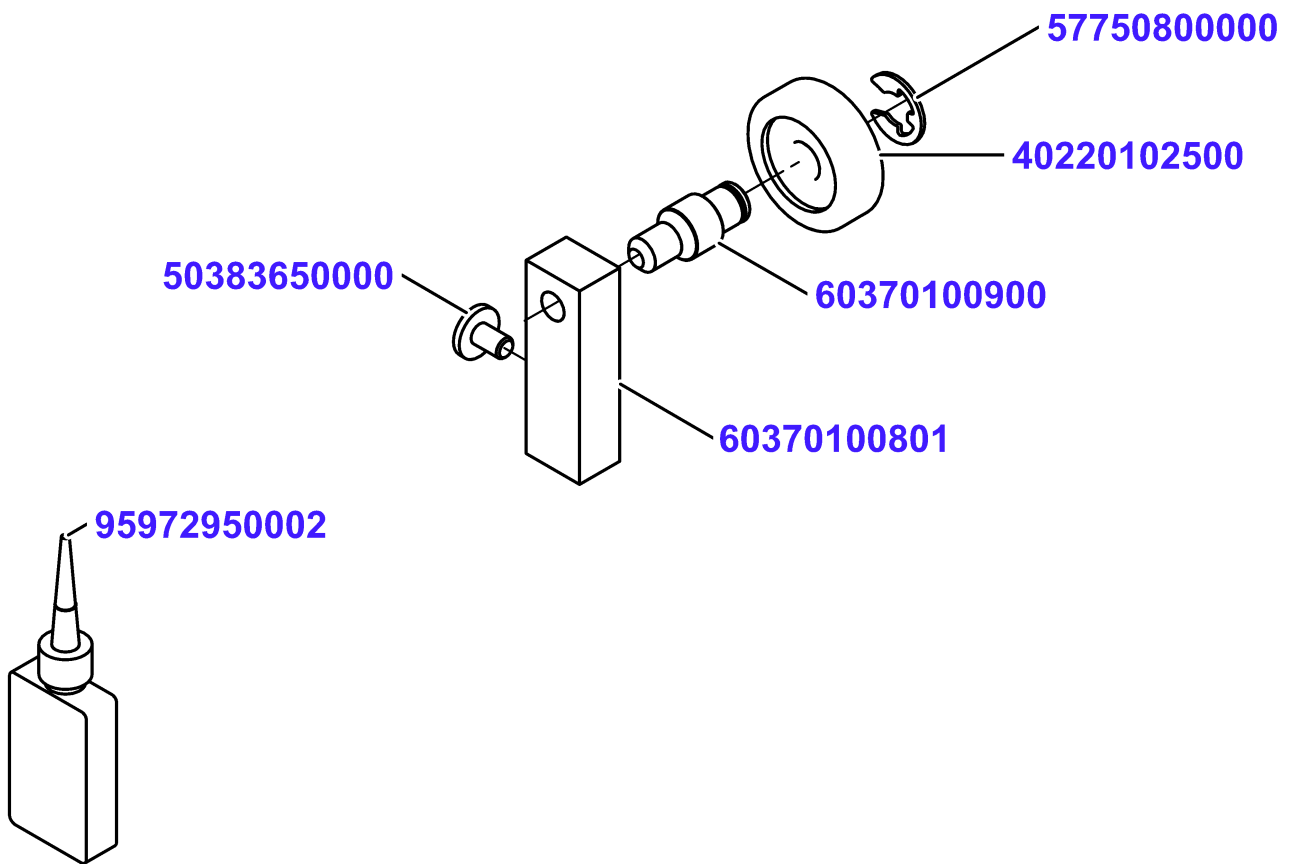
Carriage guide preass 330 multi



Carriage guide preass 330 multi

Material No.	Qty	Material description	available for order	Wear part	Recomm. sp. part	Metr. relevance
60380100607	1	Carriage guide 330 GSP machined	✓			
60370100700	1	Roller support preassembled				
60540271900	1	Magnet Vacodym 370 LC round 10X4			✓	
95972870002	0,001	Loctite 638 95972870002	✓			
57743680000	1	Cylinder screw DIN912 M8x25-A2-70	✓			
56739080000	1	Washer DIN 125-A 8.4-A2-70	✓			
57767080000	1	Spring lock washer DIN128-A8-A2	✓			
60530300066	2	felt ring	✓			
38077330002	2	Cover disk 35f8x26x1,5	✓			
38004689000	2	Plain bearing 25x28x30	✓			
56980720000	1	Oval-head screw DIN923 M5x11-5.8	✓			
56453290000	1	Threaded insert M12x9	✓			
56044800000	1	Set screw DIN551 M8x35 - brass	✓			
56456800000	1	Hexagon Nut DIN 934-M8-A2-70	✓			
95972950002	0,001	Loctite 243 50 ml 95972950002	✓			
60370112800	1	Felt strip	✓			
96055040001	0,002	Grease Isoflex Topas NB 5051	✓			
60370102302	1	Cover	✓			
56818430000	2	Self-tapping screw DIN7500-CE M4x8-5.6*	✓			
60370102902	1	Insert 30x22x2	✓			
60370102802	1	stop	✓			
60370102700	1	Torsion spring	✓			
57431160000	2	Hexagon Screw DIN 933 M6x16 A2-70	✓			
57767060000	2	Spring lock washer DIN128-A6-FSt	✓			

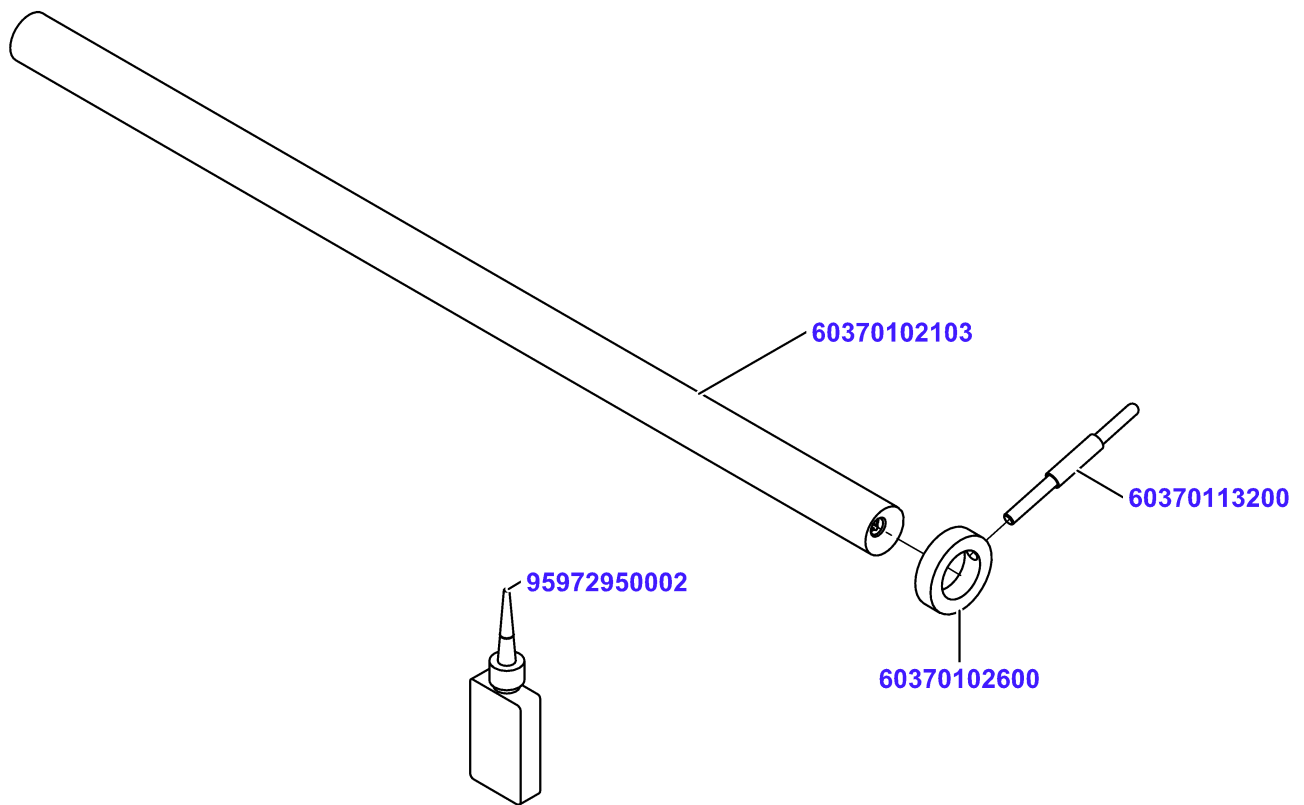
Roller support preassembled



Roller support preassembled





Material No.	Qty	Material description	available for order	Wear part	Recomm. sp. part	Metr. relevance
60370100802	1	Roller support 16x12x50				
60370100900	1	bearing bolt				
95972950002	0,001	Loctite 243 50 ml 95972950002				
40220102500	1	roller				
57753800000	1	Retaining Washer DIN 6799-8-1.41				
50383650000	1	Buffer 12x11				

Carriage shaft preass.

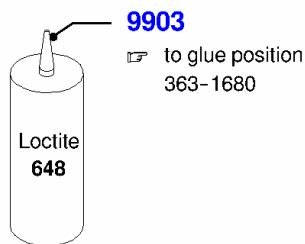
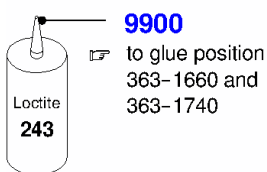
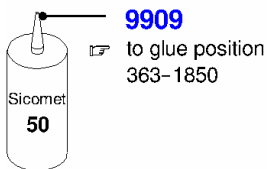
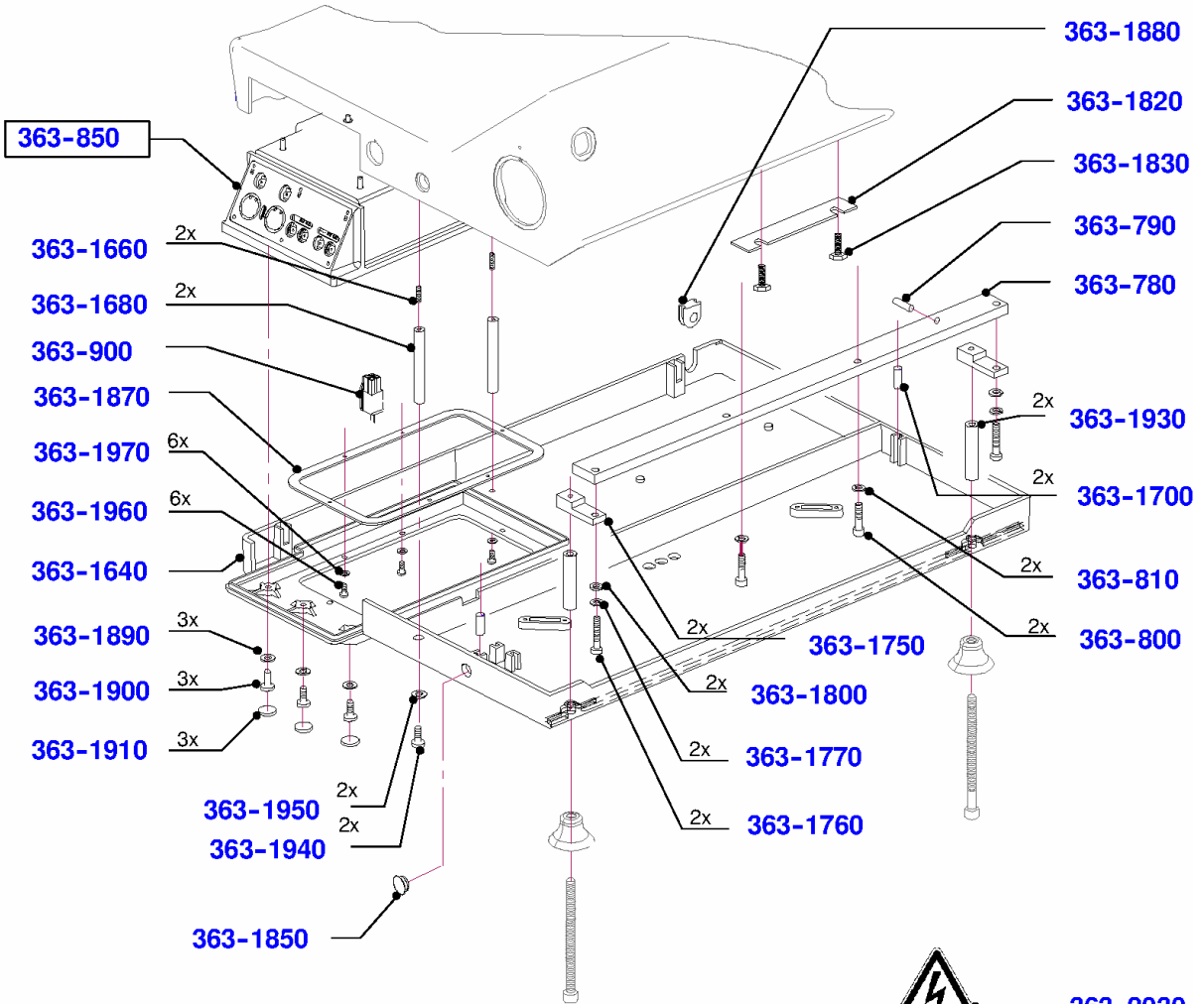
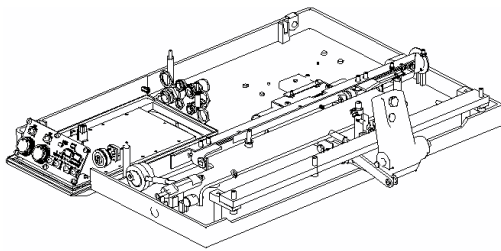


Carriage shaft preass.

Material No.	Qty	Material description
60370102103	1	Carriage Shaft 559,7x25
60370102600	1	Stop ring
60370113200	1	Lever preassembled
95972950002	0,001	Loctite 243 50 ml 95972950002

available for order	Wear part	Recomm. sp. part	Metr. relevance
			
			
			
			

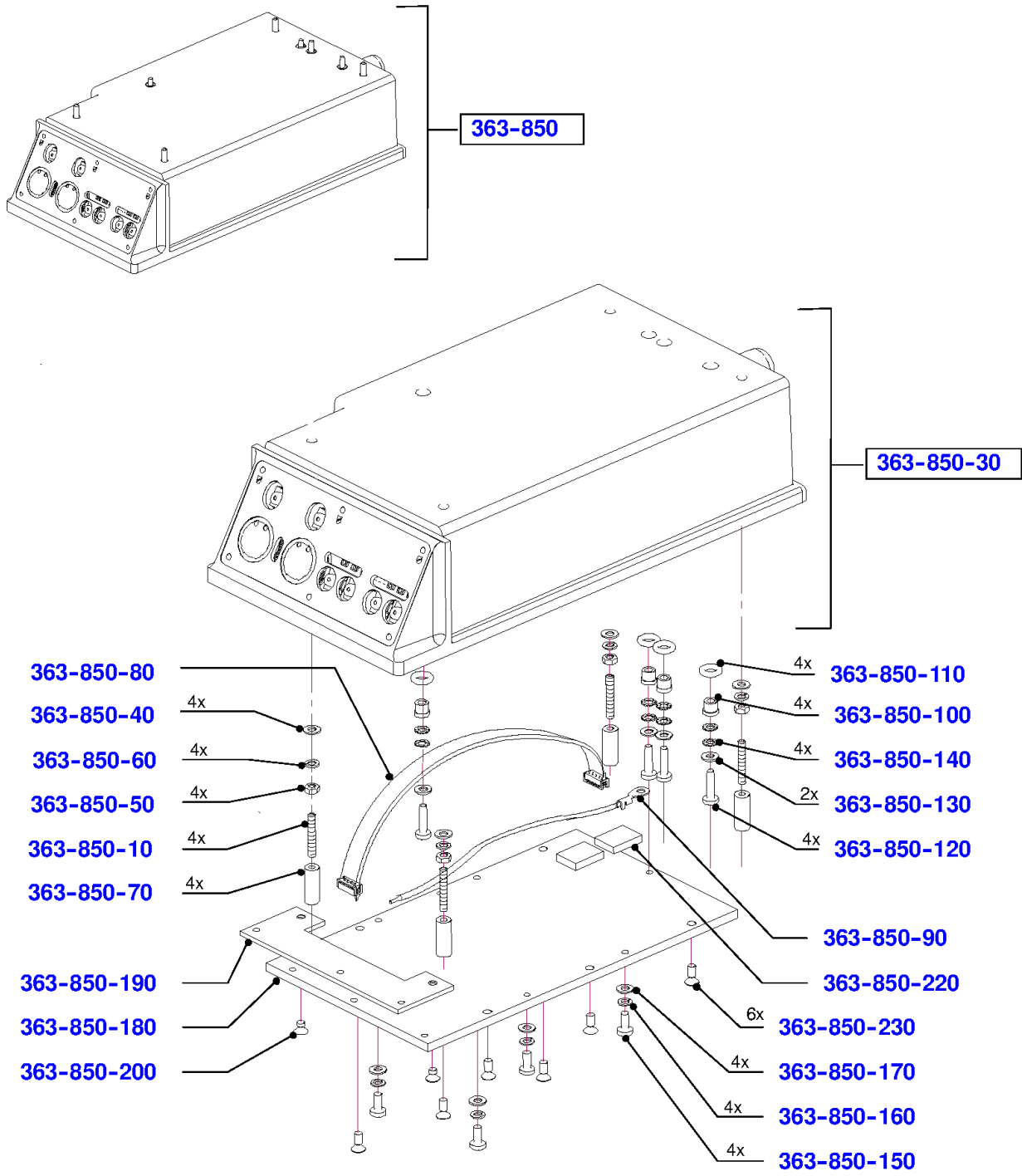
Bottom plate and accessories




Bottom plate and accessories

Item	Material No.	Qty	Material description	available for order	Wear part	Recomm. sp. part	Metr. relevance
363-780	60370107100	001	GUIDE RAIL				
363-790	56338240000	001	Grooved Pin DIN 1474-6x24 A2-70				
363-800	57743440000	002	Socket Head Screw DIN 912-M6x25-A2-70				
363-810	57767060000	002	Spring lock washer DIN128-A6-FSt				
363-850	60380314001	001	HOUSING PREASSEMBLED				
363-900	38060543000	001	BRIDGE PLUG GSP- HD BRASIL				
363-1640	60380315703	001	BOTTOM PLATE GREY				
363-1660	56083390000	002	Set screw ISO4026 M4x16-A2-70				
363-1680	60380314501	002	SPACER				
363-1700	56187990000	002	Cylindrical pin EN 22338-6m6x16-A2				
363-1750	60380312201	002	BASE PLATE				
363-1760	57736300001	002	Cylinder screw DIN912 M6x30-8.8				
363-1770	57767060000	002	Spring lock washer DIN128-A6-FSt				
363-1800	56739060000	002	Washer DIN125-A-6-A2				
363-1820	60380102301	001	FISH PLATE				
363-1830	57429060000	002	Hexagon screw DIN933 M4x6 A2-70				
363-1850	38007516000	001	PROTECTIVE PLUG, KNURLED GREY				
363-1870	38009693000	001	GASKET COOLING PLATE				
363-1880	60820315800	001	rubber bushing				
363-1890	56739040000	003	Washer DIN 125-A 4.3-A2-70 56739040000				
363-1900	56806430000	003	Oval-head screw DIN7985 M4x10-A2-70				
363-1910	60140000601	003	Washer 10.9 x 2				
363-1930	60380311501	002	spacer				
363-1940	56806430000	002	Oval-head screw DIN7985 M4x10-A2-70				
363-1950	56739040000	002	Washer DIN 125-A 4.3-A2-70 56739040000				
363-1960	56806430000	006	Oval-head screw DIN7985 M4x10-A2-70				
363-1970	56739040000	006	Washer DIN 125-A 4.3-A2-70 56739040000				
363-2030	51977600000	001	Warning plate with danger arrow 50				
363-2040	60544808100	001	REFERENCE PLATE "DO NOT CLEAN WITH HOSE"				
363-2050	51975600000	001	Information Sign disconnect the Plug				
9900	95972940000	001	LOCTITE 243 10ML				
9903	95972840000	001	LOCTITE 648 10M				
9909	95972710002	001	SICOMET 50 50G				

Housing preass. - BR



9900
 to glue position
 363-850-10 and
 363-850-200



Loctite
243

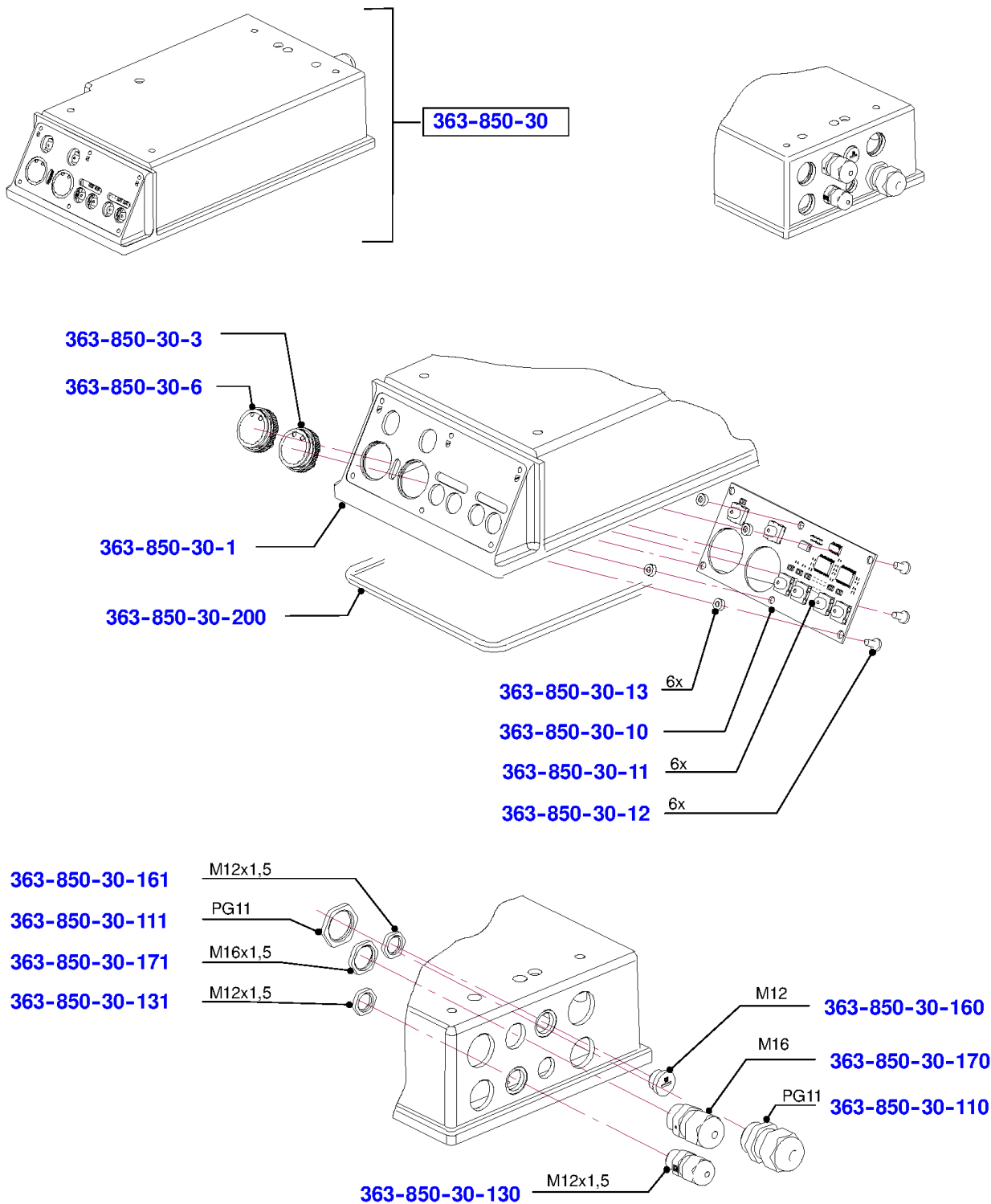
Housing preass. - BR

Item	Material No.	Qty	Material description	available for order	Wear part	Recomm. sp. part	Metr. relevance
363-850	60380314001	001	HOUSING PREASSEMBLED	✓			
363-850-10	56084000000	004	Set screw ISO4026 M4x25-A2-70	✓			
363-850-30	60380344100	001	HOUSING PREASS. BR WITHOUT DECORATIVE F.	✓			
363-850-40	56739040000	004	Washer DIN 125-A 4.3-A2-70 56739040000	✓			
363-850-50	56456400000	004	Hexagon nut DIN934-M4-A2	✓			
363-850-60	57767040000	004	Spring lock washer DIN128-A4-FSt	✓			
363-850-70	38004288000	004	STUD	✓			
363-850-80	60386103000	001	KA FL 8X1,27 0,31M	✓			
363-850-90	60386120100	001	Ka Li GN/YE AWG16 0,13m	✓			
363-850-100	60380314801	004	PROTECTIVE CONDUCTOR BUSHING	✓			
363-850-110	50001940000	004	O- SEAL 6X3	✓			
363-850-120	56818470000	004	SELF- TAPPING SCREW CM4X16T20	✓			
363-850-130	56739040000	002	Washer DIN 125-A 4.3-A2-70 56739040000	✓			
363-850-140	57758610000	004	Toothed washer DIN6797-A 4,3-Fst	✓			
363-850-150	56806430000	004	Oval-head screw DIN7985 M4x10-A2-70	✓			
363-850-160	57767040000	004	Spring lock washer DIN128-A4-FSt	✓			
363-850-170	56739040000	004	Washer DIN 125-A 4.3-A2-70 56739040000	✓			
363-850-180	38004285000	001	COOLING PLATE	✓			
363-850-190	38004280000	001	FASTENING PLATE	✓			
363-850-200	57451240000	002	Countersunk screw DIN965 M4x6-A2-70	✓			
363-850-220	38008483000	002	HEATPAD	✓			
363-850-230	57451200000	006	Countersunk screw DIN965 M4x10-A2-70	✓			
9900	95972940000	001	LOCTITE 243 10ML	✓			

Housing preass. - BR

Housing preass., BR without deco foil

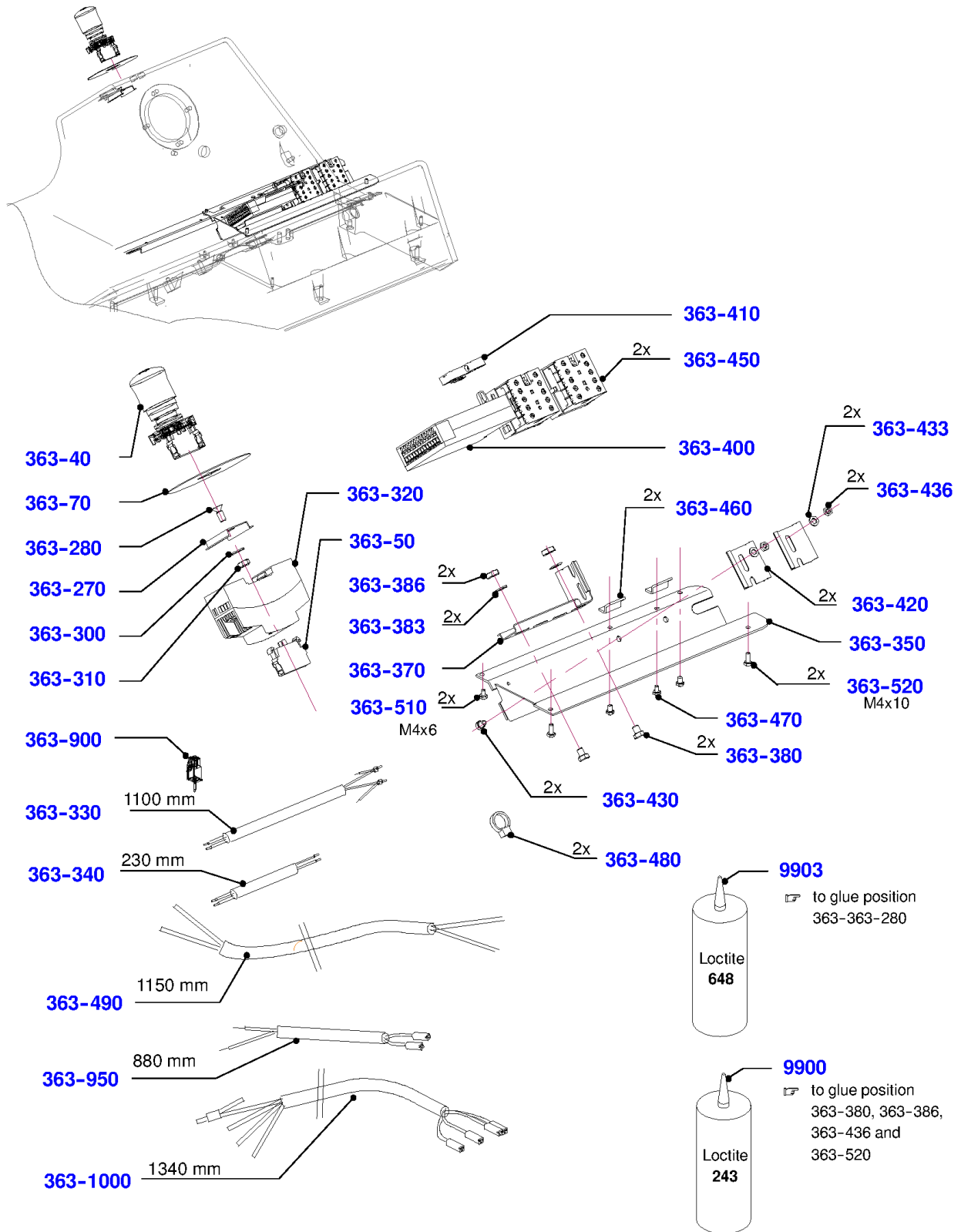
Housing preass., BR without deco foil



Housing preass. - BR

Item	Material No.	Qty	Material description	available for order	Wear part	Recomm. sp. part	Metr. relevance
363-850-30	60380344100	001	HOUSING PREASS. BR WITHOUT DECORATIVE F.	✓			
363-850-30-1	60380315605	001	HOUSING GREY	✓			
363-850-30-3	71027230000	001	MAIN KEY ON	✓		✓	
363-850-30-6	71027210000	001	MAIN KEY OFF	✓		✓	
363-850-30-10	60385110150	001	PCBA HMI SE12D	✓		✓	
363-850-30-11	71960100000	006	KEY CAP FOR SMS- PUSHBUTTON	✓			
363-850-30-12	57465130000	006	Plastic screw 4x8-St-T20	✓			
363-850-30-13	38011961000	006	SPACER RING	✓			
363-850-30-110	71011620000	001	Cable Gland ST11 UL53015020	✓			
363-850-30-111	71161110000	001	Nut PG 11 DIN 46320 CuZn39Pb3	✓			
363-850-30-130	71010810000	001	Cable Gland M12x1,5 UL	✓			
363-850-30-131	71162150000	001	Nut M12x1.5	✓			
363-850-30-160	71066120000	001	Screw Plug BLK-M12 71066120000	✓			
363-850-30-161	71162150000	001	Nut M12x1.5	✓			
363-850-30-170	71010820000	001	Cable Gland M16 UL 53111010	✓			
363-850-30-171	71162160000	001	Nut M16x1.5	✓			
363-850-30-200	60380313900	001	SILICON TUBE 900 MM	✓			

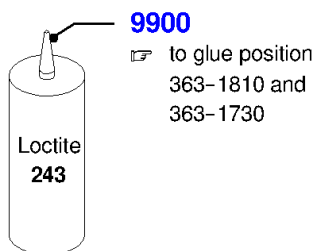
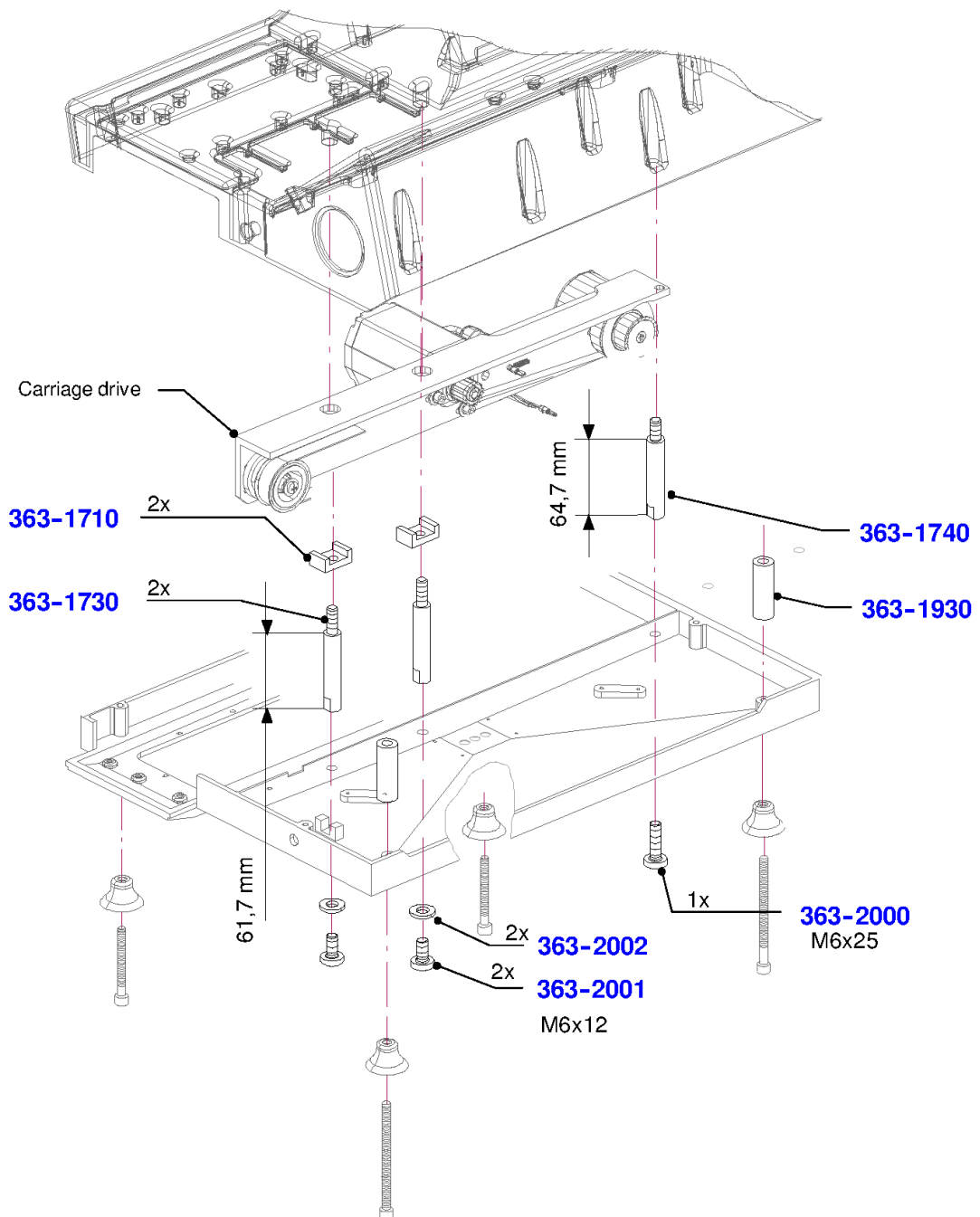
Electronic and cables











Electronic and cables

Item	Material No.	Qty	Material description	available for order	Wear part	Recomm. sp. part	Metr. relevance
363-40	38057481000	001	Push Buttom Emergency Stop M22-PV/K01	✓			
363-50	38057477000	001	Contact Element Open M22-K01Q	✓			
363-70	38057418000	001	EMERGENCY LABEL DE, EN, ES, PT	✓			
363-270	60380346800	001	CAP RAIL FOR SMALL CONTACTORS	✓			
363-280	57630430000	001	Countersunk Screw DIN 963-M4x10-A2-70	✓			
363-300	56739040000	001	Washer DIN 125-A 4.3-A2-70 56739040000	✓			
363-310	56456400000	001	Hexagon nut DIN934-M4-A2	✓			
363-320	71506680000	001	POWER SUPPLY UNIT 24VDC/0.75A	✓		✓	
363-330	38062879000	001	KA RD 3G0,5 1,10M	✓			
363-340	38062875000	001	KA RD 2X0,75 0,23M	✓			
363-350	60380346601	001	CARRIER SHEET	✓			
363-370	60380346701	001	CAP RAIL ANGLED	✓			
363-380	65019999937	002	Hexagon Screw DIN 933-M5x6-A2-70	✓			
363-383	56739050000	002	Washer DIN 125-A 5_3 -A2-70 56739050000	✓			
363-386	56444500000	002	Hexagon nut DIN439-M5-A2	✓			
363-400	38062846000	001	SAFTY CONTROL UNIT 463111B1	✓			
363-410	77287320000	001	Clamping Brackets SK 35	✓			
363-420	60380346800	002	CAP RAIL FOR SMALL CONTACTORS	✓			
363-430	65019999937	002	Hexagon Screw DIN 933-M5x6-A2-70	✓			
363-433	56739050000	002	Washer DIN 125-A 5_3 -A2-70 56739050000	✓			
363-436	56444500000	002	Hexagon nut DIN439-M5-A2	✓			
363-450	38063679000	002	SMALL CONTACTOR 24V DC B7D- 30- 01- 01	✓		✓	
363-460	60380346900	002	CAPTIVE	✓			
363-470	57429060000	002	Hexagon screw DIN933 M4x6 A2-70	✓			
363-480	71004310000	002	Cabel Tie T18R	✓			
363-490	60566227900	001	Ca Rd 2x0,75qmm 1,0m	✓			
363-510	57429060000	002	Hexagon screw DIN933 M4x6 A2-70	✓			
363-520	57429100000	002	Hexagon Screw DIN933 M4x10 A2-70	✓			
363-900	38060543000	001	BRIDGE PLUG GSP- HD BRASIL	✓			
363-950	38062863000	001	KA RD 3G0,5 0,88M	✓			
363-1000	38062871000	001	KA RD 5G0,5 1,34M	✓			
9900	95972940000	001	LOCTITE 243 10ML	✓			
9903	95972840000	001	LOCTITE 648 10M	✓			

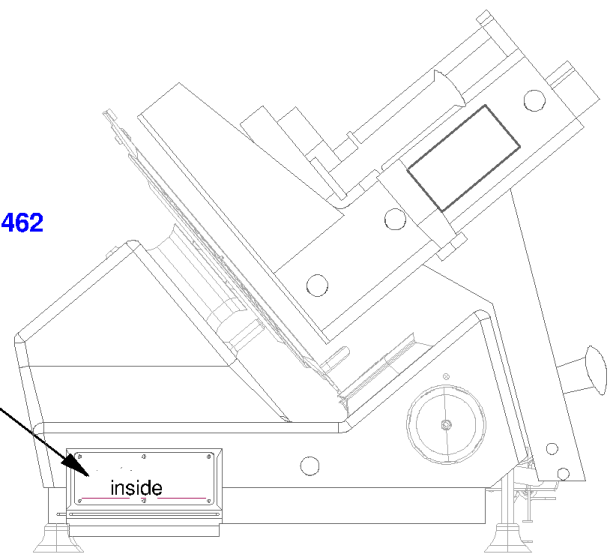
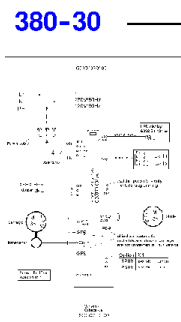
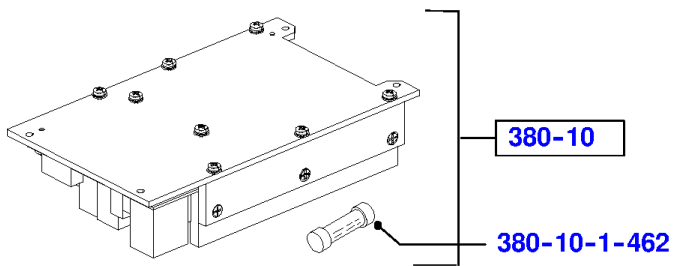
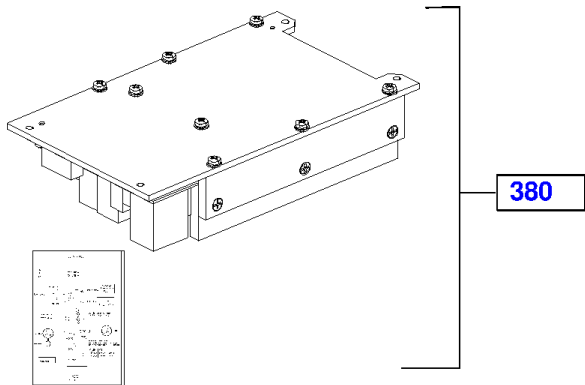
Fastening carriage drive, rubber foot



Fastening carriage drive, rubber foot

Item	Material No.	Qty	Material description	available for order	Wear part	Recomm. sp. part	Metr. relevance
363-1710	60380303502	002	PLATE				
363-1730	60380311201	002	BOLT				
363-1740	60380312301	001	BOLT				
363-1930	60380311501	002	spacer				
363-2000	56806700000	001	Oval-head screw DIN7985 M6x25-A2-70				
363-2001	56806650000	002	Oval-head screw DIN7985 M6x12-A2-70				
363-2002	56739060000	003	Washer DIN125-A-6-A2				
9900	95972940000	001	LOCTITE 243 10ML				

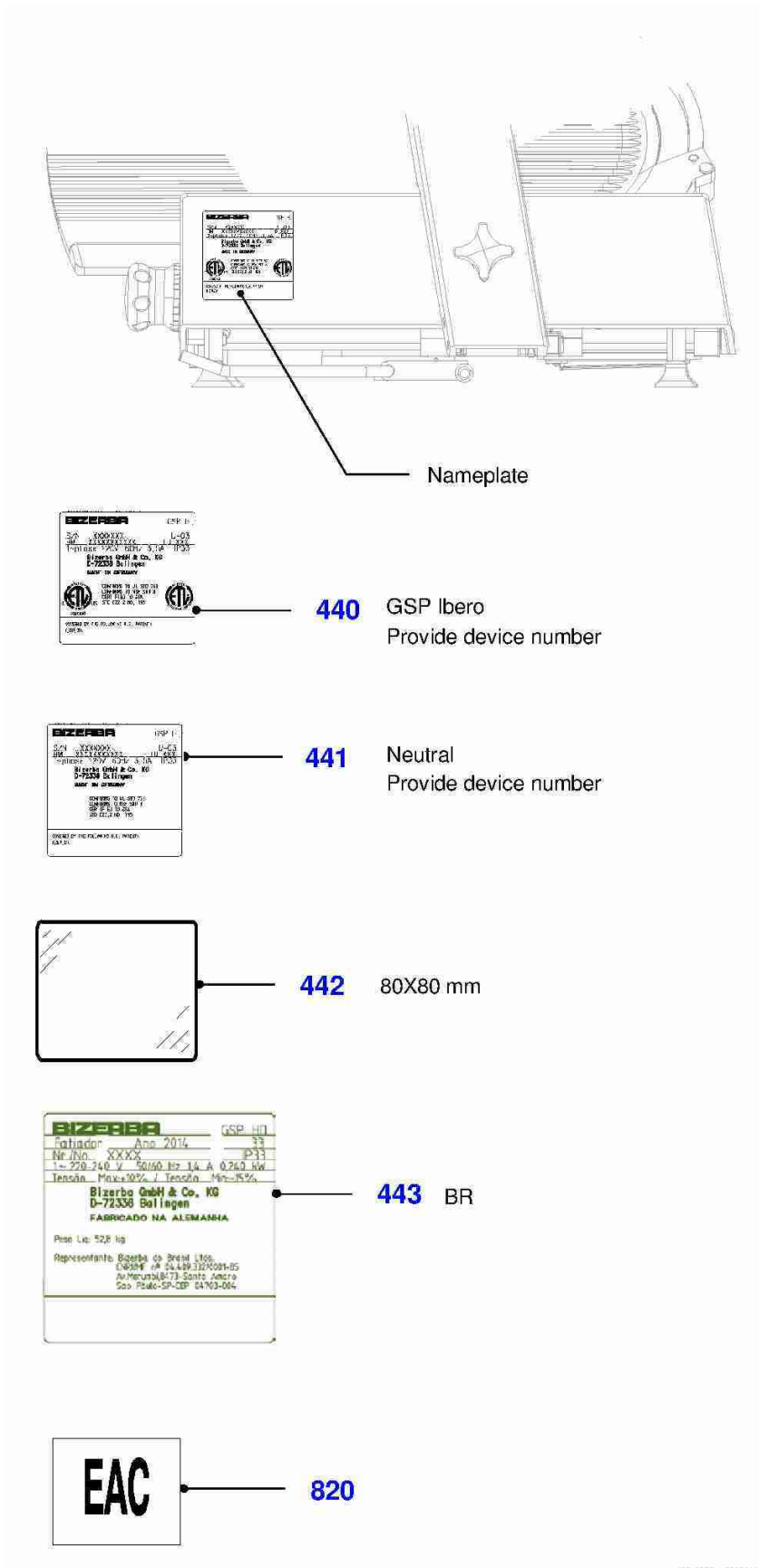
Circuit - Standard, Illumination, Brazil



Circuit - Standard, Illumination, Brazil

Item	Material No.	Qty	Material description	available for order	Wear part	Recomm. sp. part	Metr. relevance
380	60388038100	001	CIRCUIT GSP HD 100V- 240V/50HZ/60HZ	✓			
380	60388038401	001	CIRCUIT GSP HD 100V- 240V/50HZ/60HZ ILLU	✓			
380	60388038301	001	CIRCUIT GSP HD 100V- 240V/50HZ/60HZ BR	✓			
380-10	60387081103	001	CPU- PFC- DRIVE- GSP HD CPL.	✓			
380-10	60387090165	001	CPU- PFC- DRIVE- GSP HD ILLUMINATION CPL.	✓			
380-10-1-462	71452440000	001	FUSE ELEMENT T 3.15 UL	✓		✓	
380-30	60384870100	001	LABEL CABELING GSP HD SE 12 D	✓			

Nameplate

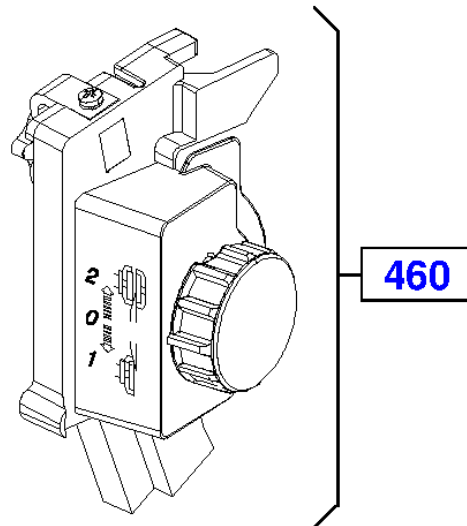


Nameplate

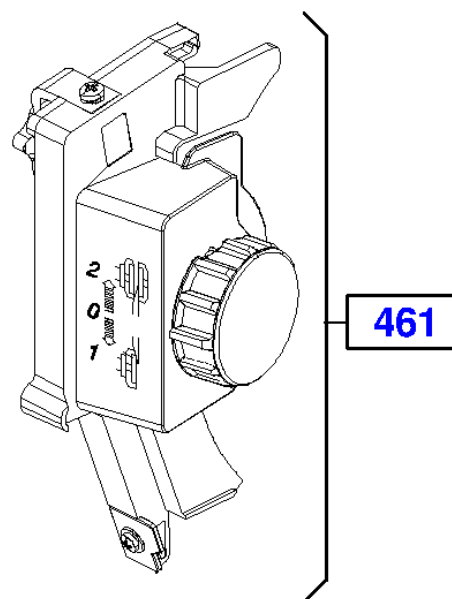
Item	Material No.	Qty	Material description	available for order	Wear part	Recomm. sp. part	Metr. relevance
440	60384809300	001	NAMEPLATE GSP IBERO D 120 PROVIDE DEVICE NUMBER	✓			
440	60384809100	001	NAMEPLATE GSP IBERO D 220 PROVIDE DEVICE NUMBER	✓			
440	60384809200	001	NAMEPLATE GSP IBERO D 230 PROVIDE DEVICE NUMBER	✓			
441	60378044100	001	RATING PLATE (NEUTRAL), PROVIDE DEVICE NUMBER	✓			
442	60374805200	001	Protection foil 80x80	✓			
443	60384809403	001	NAMEPLATE GSP HD BRASIL	✓			
820	38014393000	001	EAC mark	✓			

Overview

Grinder NSF compl. 18H 25H



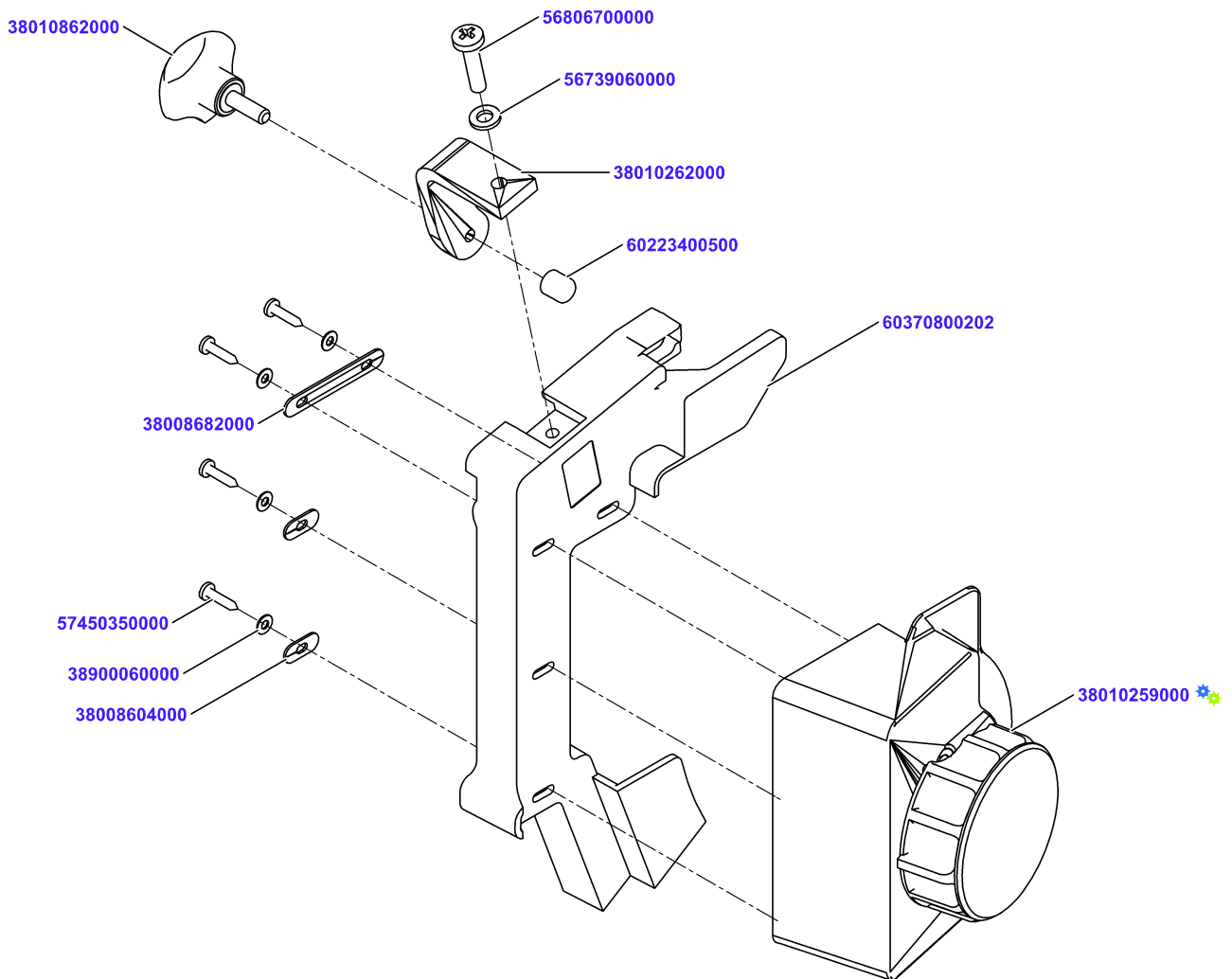
Grinder NSF compl. 18L 25L














Overview

Item	Material No.	Qty	Material description	available for order	Wear part	Recomm. sp. part	Metr. relevance
460	38010263000	001	GRINDER NSF COMPL. 18H 25H WITHOUT SHARPENING LIMITER	✓			
460	38010263001	001	Grinder GSP 330 cpl. 18/25 High	✓			
461	38010524000	001	GRINDER NSF KPL. USA 25L WITHOUT SHARPENING LIMITER	✓			
461	38010524001	001	Grinder GSP 330 cpl. 18/25 Low	✓			

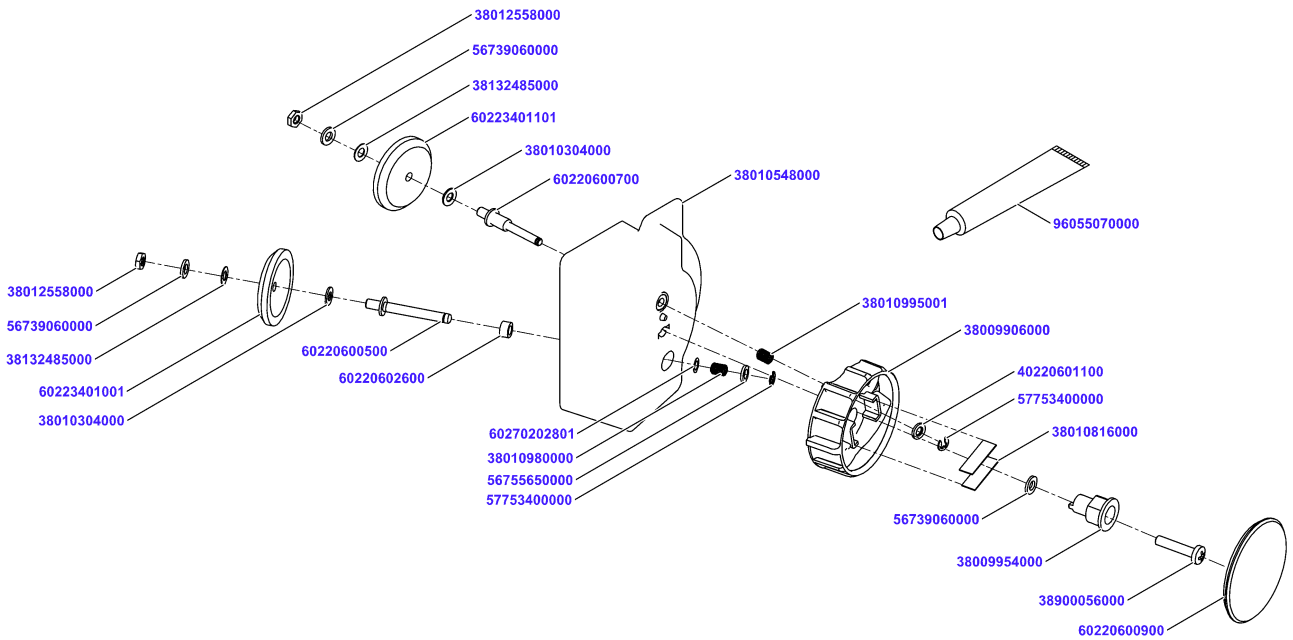
Grinder GSP 330 cpl. 18/25 High



Grinder GSP 330 cpl. 18/25 High

Material No.	Qty	Material description	available for order	Wear part	Recomm. sp. part	Metr. relevance
38010259000	1	UVV Sharpener preass. GSP				
60370800202	1	adapter USA 18/25 H				
38008604000	2	Cover disc 18x8				
38008682000	1	cover disc long				
57450350000	4	Self-tap screw ISO7049-C3,5x16 A2-50-T15				
38900060000	4	Washer DIN125-A-3,5-A2				
38010262000	1	tightening element				
56806700000	1	Oval-head screw DIN7985 M6x25-A2-70				
56739060000	1	Washer DIN125-A-6-A2				
38010862000	1	Steel star handle 18,85mm, cpl.				
60223400500	1	Cap M6x10				

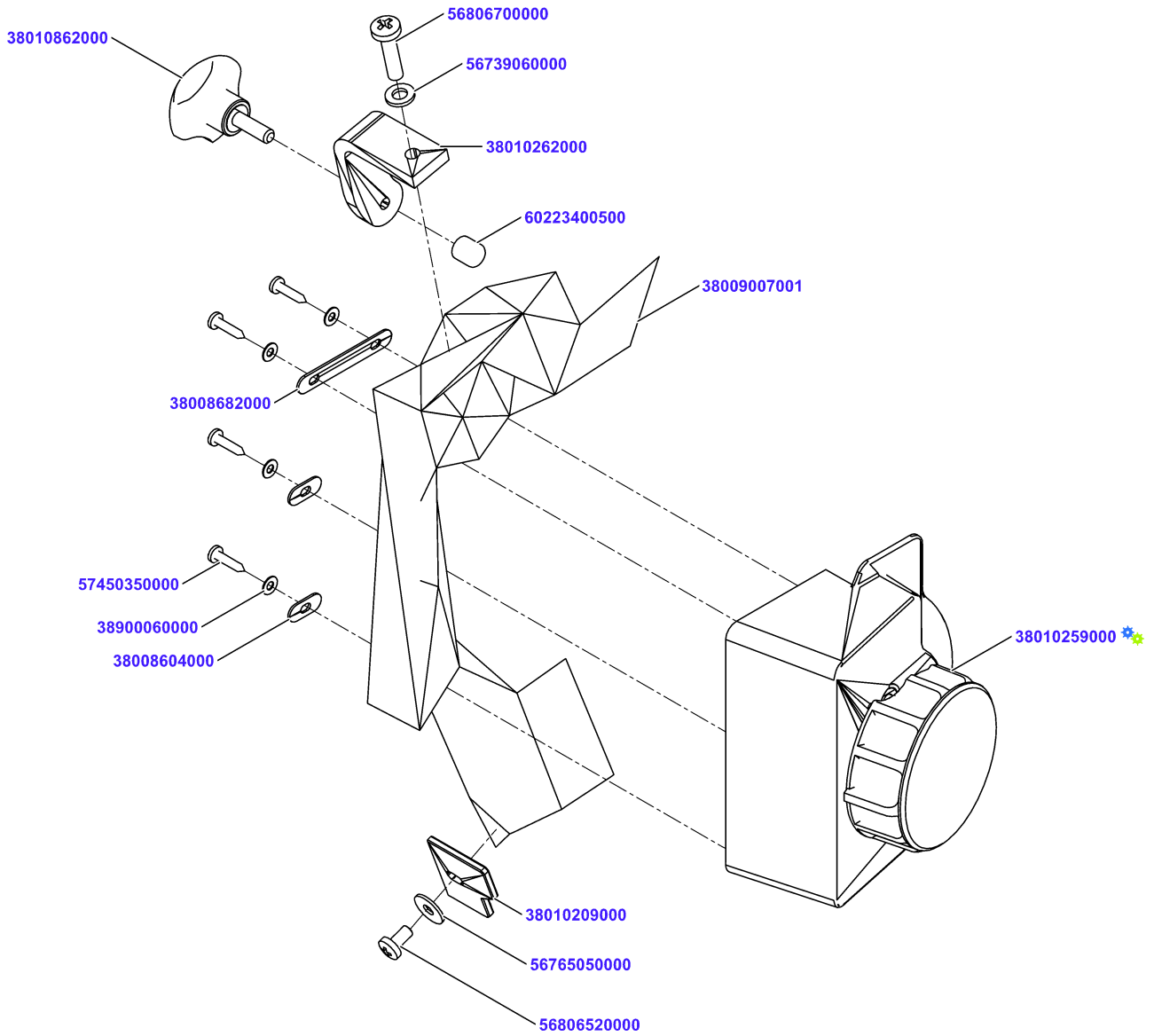
UVV Sharpener preass. GSP

















UVV Sharpener preass. GSP

Material No.	Qty	Material description	available for order	Wear part	Recomm. sp. part	Metr. relevance
38010548000	1	Housing	✓			
60220600500	1	Shaft 12x58	✓			
38010980000	1	pressure spring	✓			
56755650000	1	Washer DIN433-6-A2	✓			
57753400000	1	Retaining Washer DIN6799-4 57753400000	✓			
38009954000	1	bearing bolt	✓			
38009906000	1	handwheel	✓			
38900056000	1	Oval-head screw DIN7985 M6x30-A2-70	✓			
56739060000	1	Washer DIN125-A-6-A2	✓			
60220602600	1	Spacer sleeve 10x6,1x5,5	✓			
60220600700	1	Shaft 12x54,5	✓			
38010995001	1	pressure spring	✓			
60270202801	1	Washer	✓			
40220601100	1	Locking washer 11x5,4x1,5	✓			
57753400000	1	Retaining Washer DIN6799-4 57753400000	✓			
38010816000	2	Flat spring 29,5x10x0,6	✓			
60220600900	1	Cover 71x5.5	✓			
38132485000	2	Washer 6,3x12x0,5	✓			
60223401001	1	Sharpening disc	✓	✓		
60223401101	1	Honing Disc	✓	✓		
38010304000	2	Washer	✓			
56739060000	2	Washer DIN125-A-6-A2	✓			
38012558000	2	Hexagon nut DIN439-M6-A2	✓			
96055070000	0,001	Grease PARALIQ GA 343	✓			

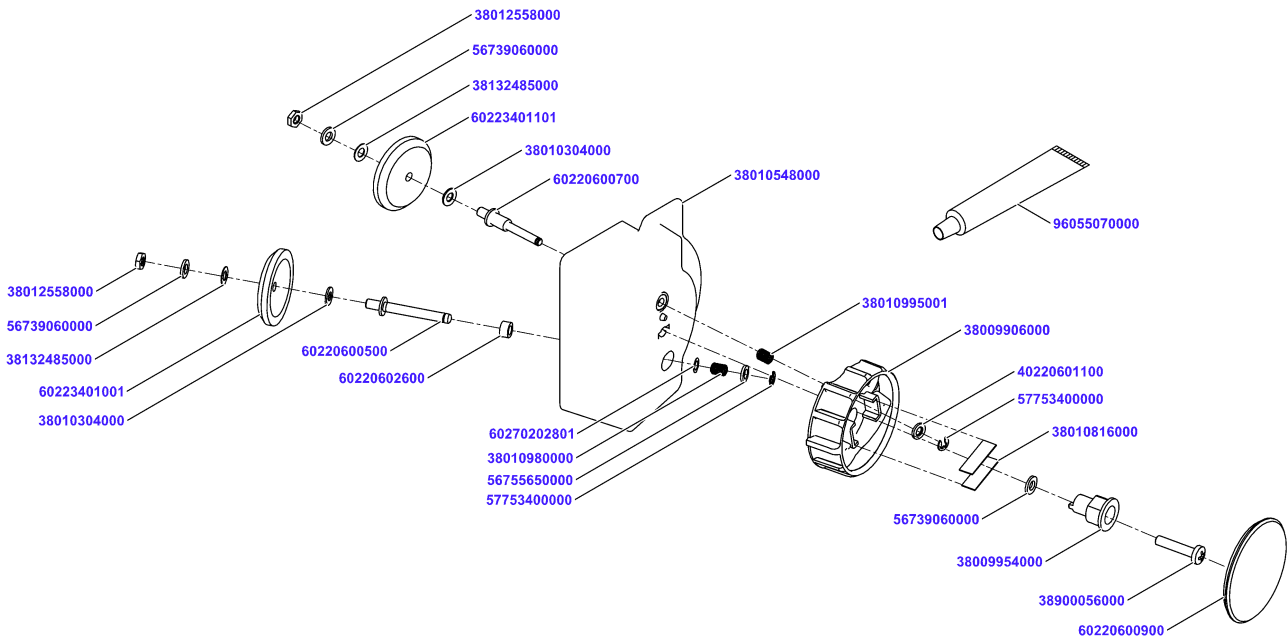
Grinder GSP 330 cpl. 18/25 Low



Grinder GSP 330 cpl. 18/25 Low

Material No.	Qty	Material description	available for order	Wear part	Recomm. sp. part	Metr. relevance
38010259000	1	UVV Sharpener preass. GSP				
38009007001	1	adapter, USA 25L / Europe 0 18L				
38008604000	2	Cover disc 18x8				
38008682000	1	cover disc long				
57450350000	4	Self-tap screw ISO7049-C3,5x16 A2-50-T15				
38900060000	4	Washer DIN125-A-3,5-A2				
38010262000	1	tightening element				
56806700000	1	Oval-head screw DIN7985 M6x25-A2-70				
56739060000	1	Washer DIN125-A-6-A2				
38010862000	1	Steel star handle 18,85mm, cpl.				
60223400500	1	Cap M6x10				
38010209000	1	Stop - Verwendung entfallen				
56806520000	1	Oval-head screw DIN7985 M5x10-A2-70				
56765050000	1	Washer DIN 9021-5_3-A2-70 56765050000				

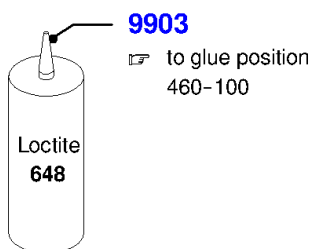
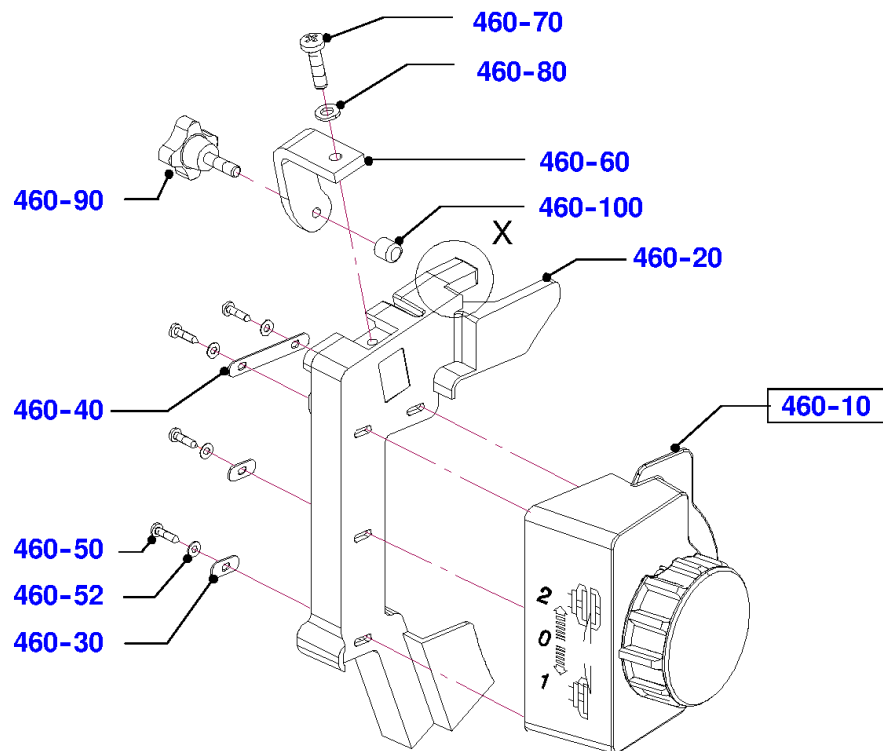
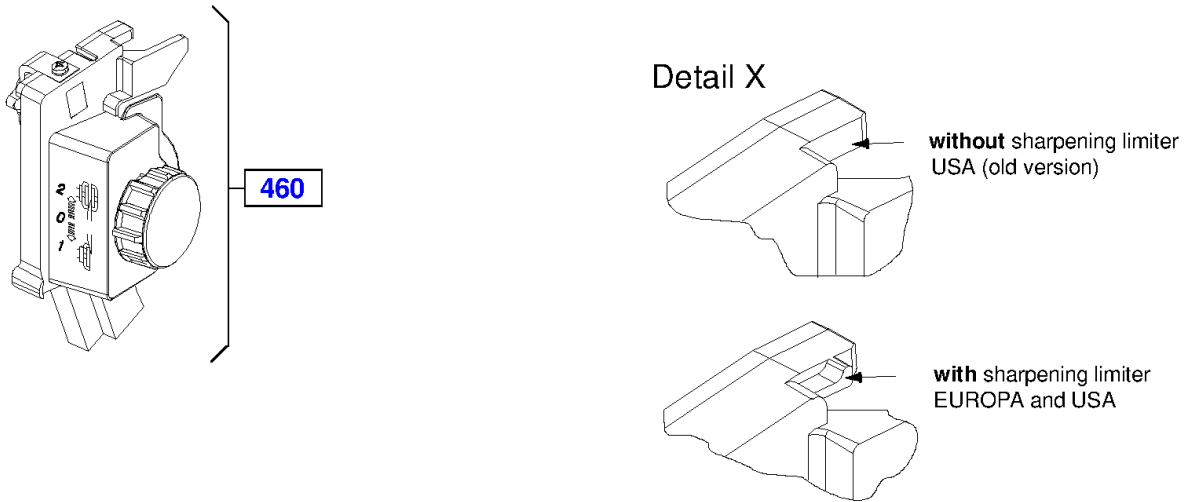
UVV Sharpener preass. GSP



UVV Sharpener preass. GSP

Material No.	Qty	Material description	available for order	Wear part	Recomm. sp. part	Metr. relevance
38010548000	1	Housing	✓			
60220600500	1	Shaft 12x58	✓			
38010980000	1	pressure spring	✓			
56755650000	1	Washer DIN433-6-A2	✓			
57753400000	1	Retaining Washer DIN6799-4 57753400000	✓			
38009954000	1	bearing bolt	✓			
38009906000	1	handwheel	✓			
38900056000	1	Oval-head screw DIN7985 M6x30-A2-70	✓			
56739060000	1	Washer DIN125-A-6-A2	✓			
60220602600	1	Spacer sleeve 10x6,1x5,5	✓			
60220600700	1	Shaft 12x54,5	✓			
38010995001	1	pressure spring	✓			
60270202801	1	Washer	✓			
40220601100	1	Locking washer 11x5,4x1,5	✓			
57753400000	1	Retaining Washer DIN6799-4 57753400000	✓			
38010816000	2	Flat spring 29,5x10x0,6	✓			
60220600900	1	Cover 71x5.5	✓			
38132485000	2	Washer 6,3x12x0,5	✓			
60223401001	1	Sharpening disc	✓	✓		
60223401101	1	Honing Disc	✓	✓		
38010304000	2	Washer	✓			
56739060000	2	Washer DIN125-A-6-A2	✓			
38012558000	2	Hexagon nut DIN439-M6-A2	✓			
96055070000	0,001	Grease PARALIQ GA 343	✓			

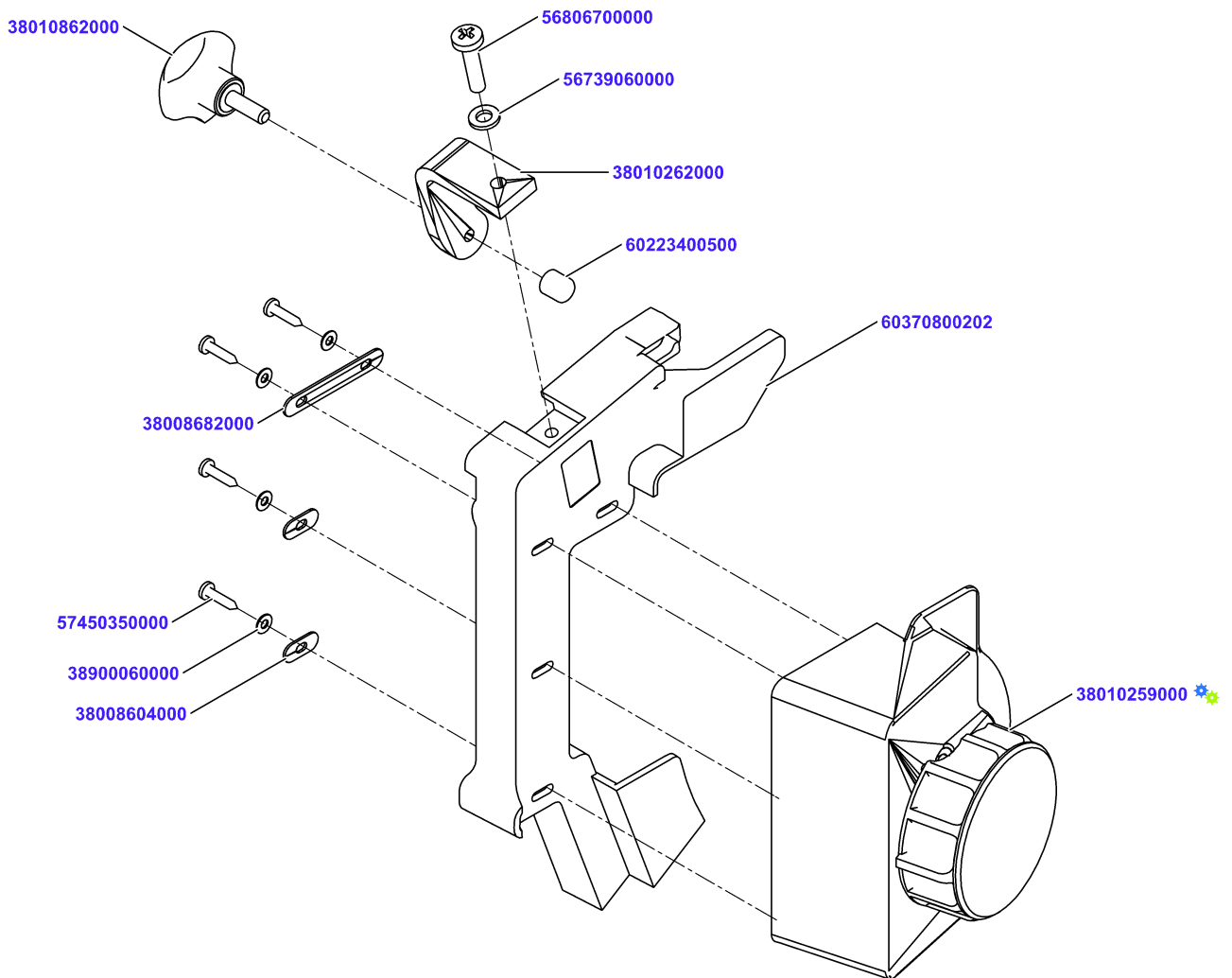
Grinder NSF compl., 18H 25H, with or without sharpening limiter



Grinder NSF compl., 18H 25H, with or without sharpening limiter

Item	Material No.	Qty	Material description	available for order	Wear part	Recomm. sp. part	Metr. relevance
460	38010263000	001	GRINDER NSF COMPL. 18H 25H WITHOUT SHARPENING LIMITER	✓			
460	38010263001	001	Grinder GSP 330 cpl. 18/25 High	✓			
460-10	38010259000	001	UVV Sharpener preass. GSP	✓			
460-20	60370800201	001	ADAPTER USA 18/25 H OLD VERSION WITHOUT SHARPENING LIMITER (USA)	✓			
460-20	60370800202	001	adapter USA 18/25 H	✓			
460-30	38008604000	002	Cover disc 18x8	✓			
460-40	38008682000	001	cover disc long	✓			
460-50	57450350000	004	Self-tap screw ISO7049-C3,5x16 A2-50-T15	✓			
460-52	38900060000	004	Washer DIN125-A-3,5-A2	✓			
460-60	38010262000	001	tightening element	✓			
460-70	56806700000	001	Oval-head screw DIN7985 M6x25-A2-70	✓			
460-80	56739060000	001	Washer DIN125-A-6-A2	✓			
460-90	38010862000	001	Steel star handle 18,85mm, cpl.	✓			
460-100	60223400500	001	Cap M6x10	✓			
9903	95972840000	001	LOCTITE 648 10M	✓			

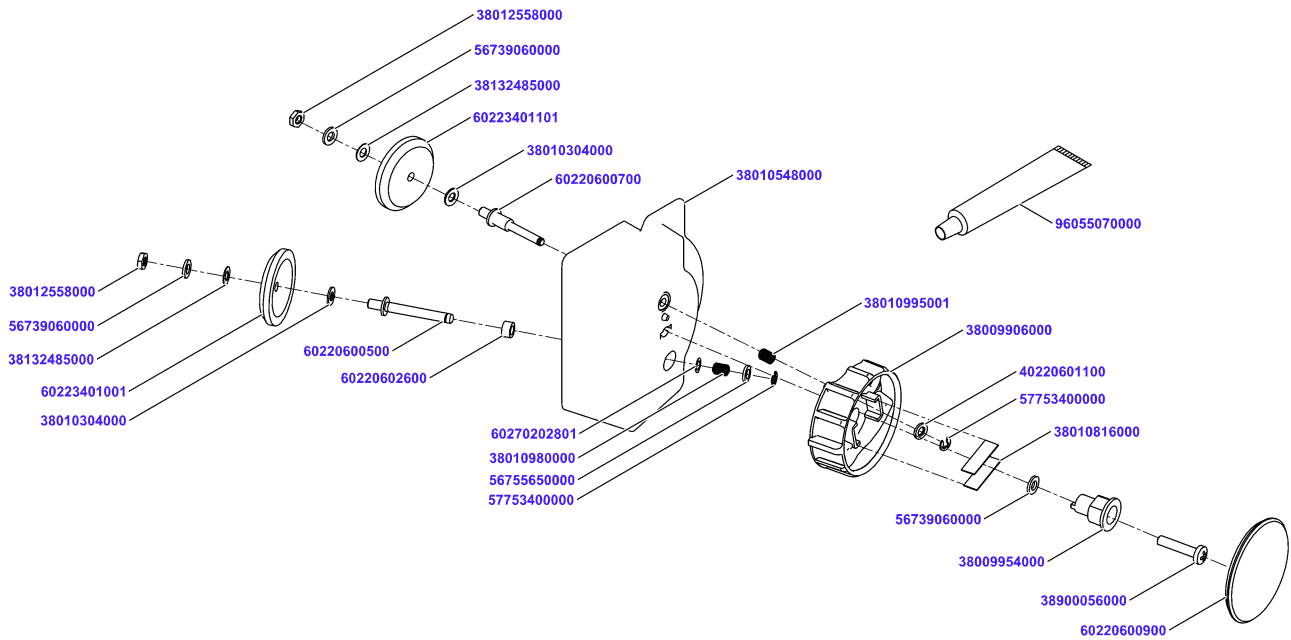
Grinder GSP 330 cpl. 18/25 High



Grinder GSP 330 cpl. 18/25 High

Material No.	Qty	Material description	available for order	Wear part	Recomm. sp. part	Metr. relevance
38010259000	1	UVV Sharpener preass. GSP	✓			
60370800202	1	adapter USA 18/25 H	✓			
38008604000	2	Cover disc 18x8	✓			
38008682000	1	cover disc long	✓			
57450350000	4	Self-tap screw ISO7049-C3,5x16 A2-50-T15	✓			
38900060000	4	Washer DIN125-A-3,5-A2	✓			
38010262000	1	tightening element	✓			
56806700000	1	Oval-head screw DIN7985 M6x25-A2-70	✓			
56739060000	1	Washer DIN125-A-6-A2	✓			
38010862000	1	Steel star handle 18,85mm, cpl.	✓			
60223400500	1	Cap M6x10	✓			

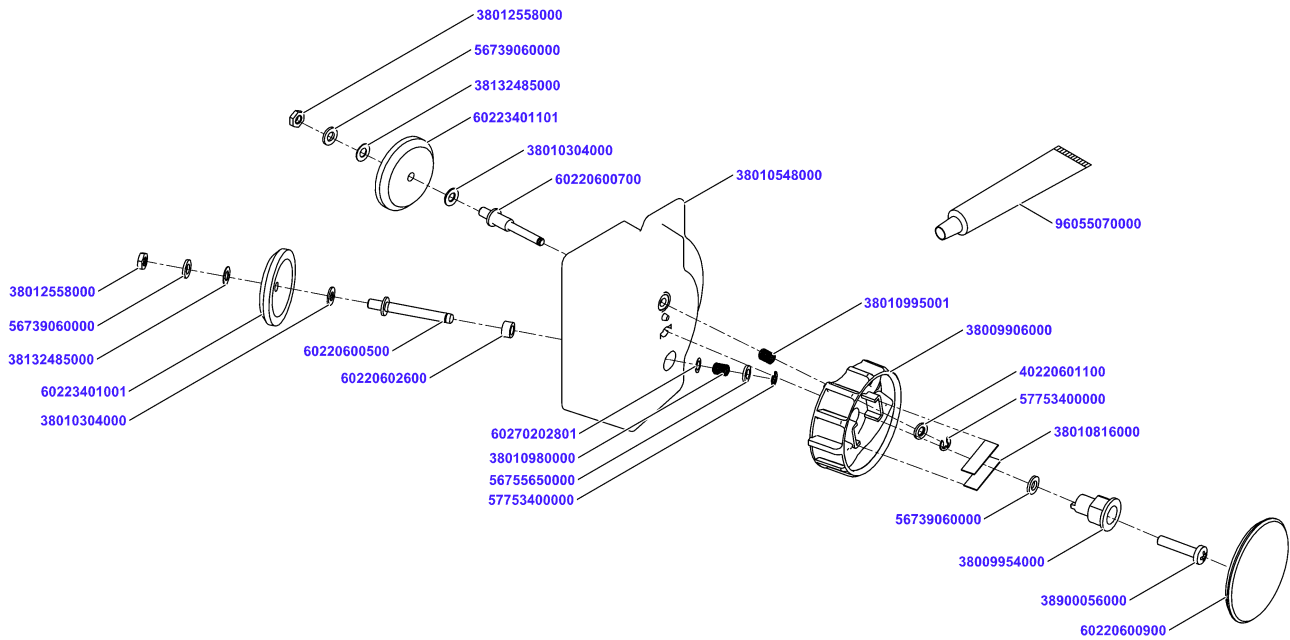
UVV Sharpener preass. GSP



UVV Sharpener preass. GSP

Material No.	Qty	Material description	available for order	Wear part	Recomm. sp. part	Metr. relevance
38010548000	1	Housing	✓			
60220600500	1	Shaft 12x58	✓			
38010980000	1	pressure spring	✓			
56755650000	1	Washer DIN433-6-A2	✓			
57753400000	1	Retaining Washer DIN6799-4 57753400000	✓			
38009954000	1	bearing bolt	✓			
38009906000	1	handwheel	✓			
38900056000	1	Oval-head screw DIN7985 M6x30-A2-70	✓			
56739060000	1	Washer DIN125-A-6-A2	✓			
60220602600	1	Spacer sleeve 10x6,1x5,5	✓			
60220600700	1	Shaft 12x54,5	✓			
38010995001	1	pressure spring	✓			
60270202801	1	Washer	✓			
40220601100	1	Locking washer 11x5,4x1,5	✓			
57753400000	1	Retaining Washer DIN6799-4 57753400000	✓			
38010816000	2	Flat spring 29,5x10x0,6	✓			
60220600900	1	Cover 71x5.5	✓			
38132485000	2	Washer 6,3x12x0,5	✓			
60223401001	1	Sharpening disc	✓	✓		
60223401101	1	Honing Disc	✓	✓		
38010304000	2	Washer	✓			
56739060000	2	Washer DIN125-A-6-A2	✓			
38012558000	2	Hexagon nut DIN439-M6-A2	✓			
96055070000	0,001	Grease PARALIQ GA 343	✓			

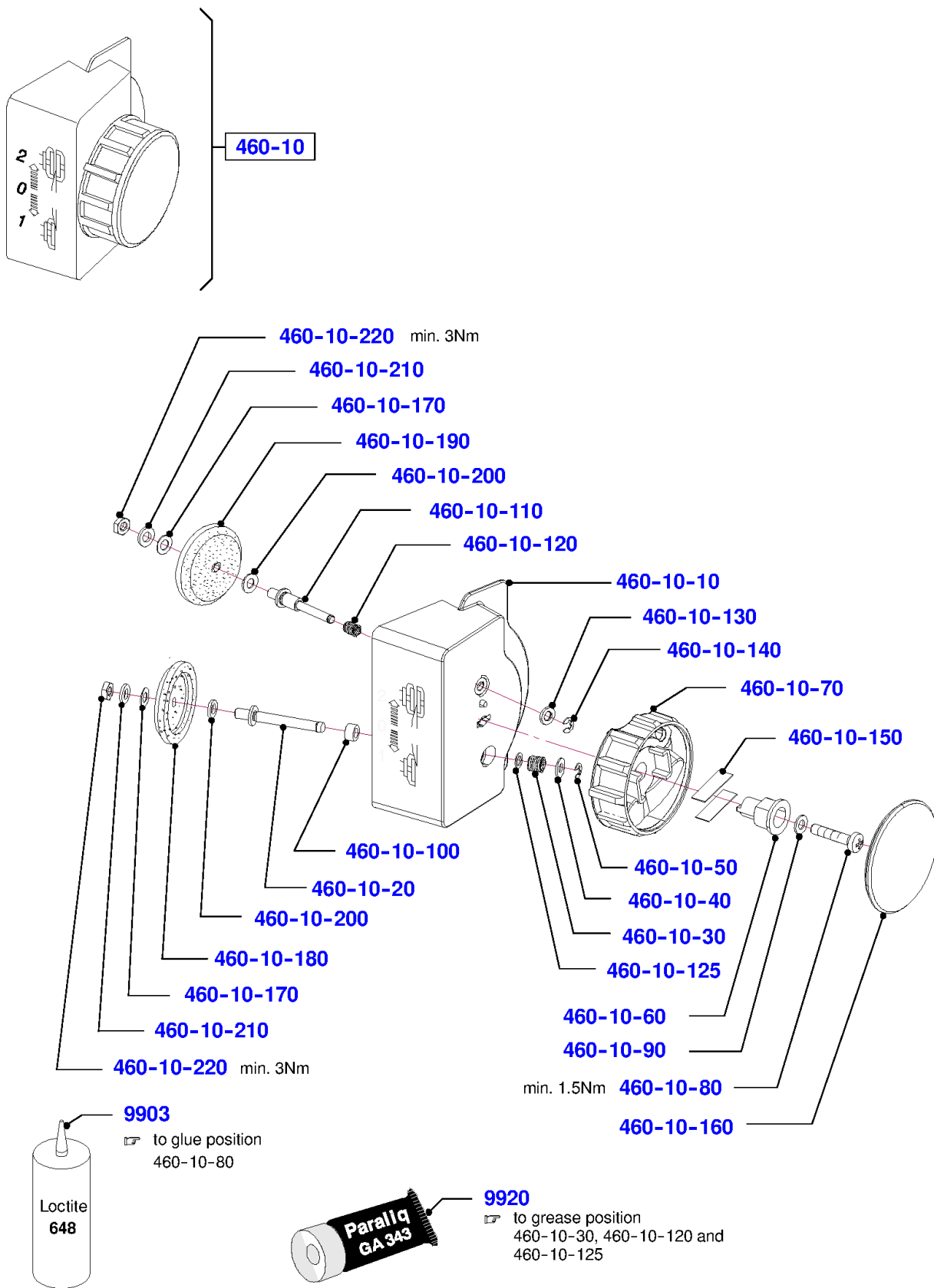
UVV Sharpener preass. GSP



UVV Sharpener preass. GSP

Material No.	Qty	Material description	available for order	Wear part	Recomm. sp. part	Metr. relevance
38010548000	1	Housing	✓			
60220600500	1	Shaft 12x58	✓			
38010980000	1	pressure spring	✓			
56755650000	1	Washer DIN433-6-A2	✓			
57753400000	1	Retaining Washer DIN6799-4 57753400000	✓			
38009954000	1	bearing bolt	✓			
38009906000	1	handwheel	✓			
38900056000	1	Oval-head screw DIN7985 M6x30-A2-70	✓			
56739060000	1	Washer DIN125-A-6-A2	✓			
60220602600	1	Spacer sleeve 10x6,1x5,5	✓			
60220600700	1	Shaft 12x54,5	✓			
38010995001	1	pressure spring	✓			
60270202801	1	Washer	✓			
40220601100	1	Locking washer 11x5,4x1,5	✓			
57753400000	1	Retaining Washer DIN6799-4 57753400000	✓			
38010816000	2	Flat spring 29,5x10x0,6	✓			
60220600900	1	Cover 71x5.5	✓			
38132485000	2	Washer 6,3x12x0,5	✓			
60223401001	1	Sharpening disc	✓	✓		
60223401101	1	Honing Disc	✓	✓		
38010304000	2	Washer	✓			
56739060000	2	Washer DIN125-A-6-A2	✓			
38012558000	2	Hexagon nut DIN439-M6-A2	✓			
96055070000	0,001	Grease PARALIQ GA 343	✓			

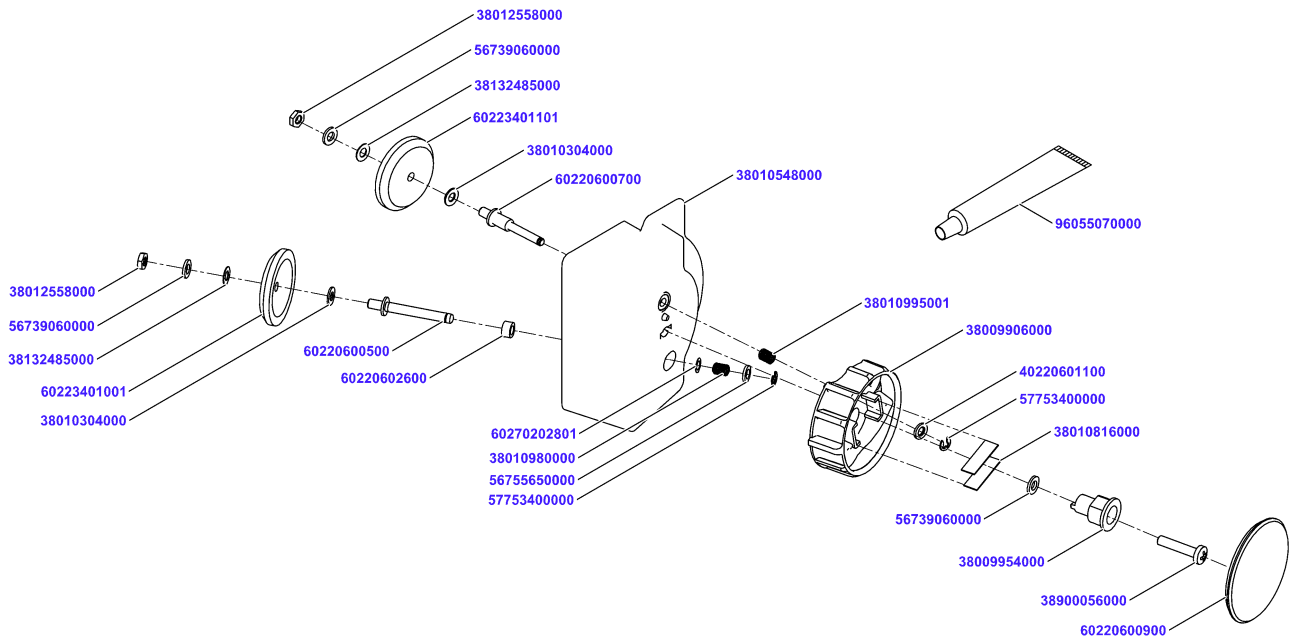
Grinder, preass. UVV



Grinder, preass. UVV

Item	Material No.	Qty	Material description	available for order	Wear part	Recomm. sp. part	Metr. relevance
460-10	38010259000	001	UVV Sharpener preass. GSP	✓			
460-10-10	38010548000	001	Housing	✓			
460-10-20	60220600500	001	Shaft 12x58	✓			
460-10-30	38010980000	001	pressure spring	✓			
460-10-40	56755650000	001	Washer DIN433-6-A2	✓			
460-10-50	57753400000	001	Retaining Washer DIN6799-4 57753400000	✓			
460-10-60	38009954000	001	bearing bolt	✓			
460-10-70	38009906000	001	handwheel	✓			
460-10-80	38900056000	001	Oval-head screw DIN7985 M6x30-A2-70	✓			
460-10-90	56739060000	001	Washer DIN125-A-6-A2	✓			
460-10-100	60220602600	001	Spacer sleeve 10x6,1x5,5	✓			
460-10-110	60220600700	001	Shaft 12x54,5	✓			
460-10-120	38010995001	001	pressure spring	✓			
460-10-125	60270202800	001	WASHER 6.2X0.18	✓			
460-10-130	40220601100	001	Locking washer 11x5,4x1,5	✓			
460-10-140	57753400000	001	Retaining Washer DIN6799-4 57753400000	✓			
460-10-150	38010816000	002	Flat spring 29,5x10x0,6	✓			
460-10-160	60220600900	001	Cover 71x5.5	✓			
460-10-170	40110500008	002	WASHER	✓			
460-10-180	60223401000	001	SHARPENING DISK	✓	✓		
460-10-190	60223401100	001	HONING STONE	✓	✓		
460-10-200	38010304000	002	Washer	✓			
460-10-210	56739060000	002	Washer DIN125-A-6-A2	✓			
460-10-220	38012558000	002	Hexagon nut DIN439-M6-A2	✓			
9903	95972840000	001	LOCTITE 648 10M	✓			
9920	94008908076	001	GREASE PARALIQ GA343 H1 25ML	✓			

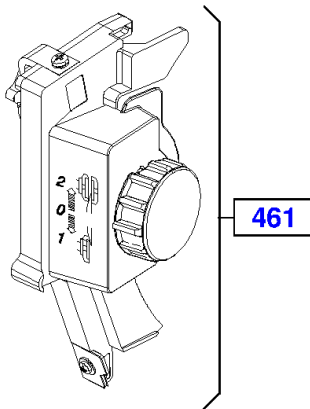
UVV Sharpener preass. GSP



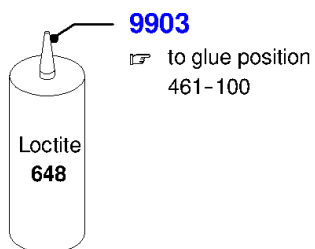
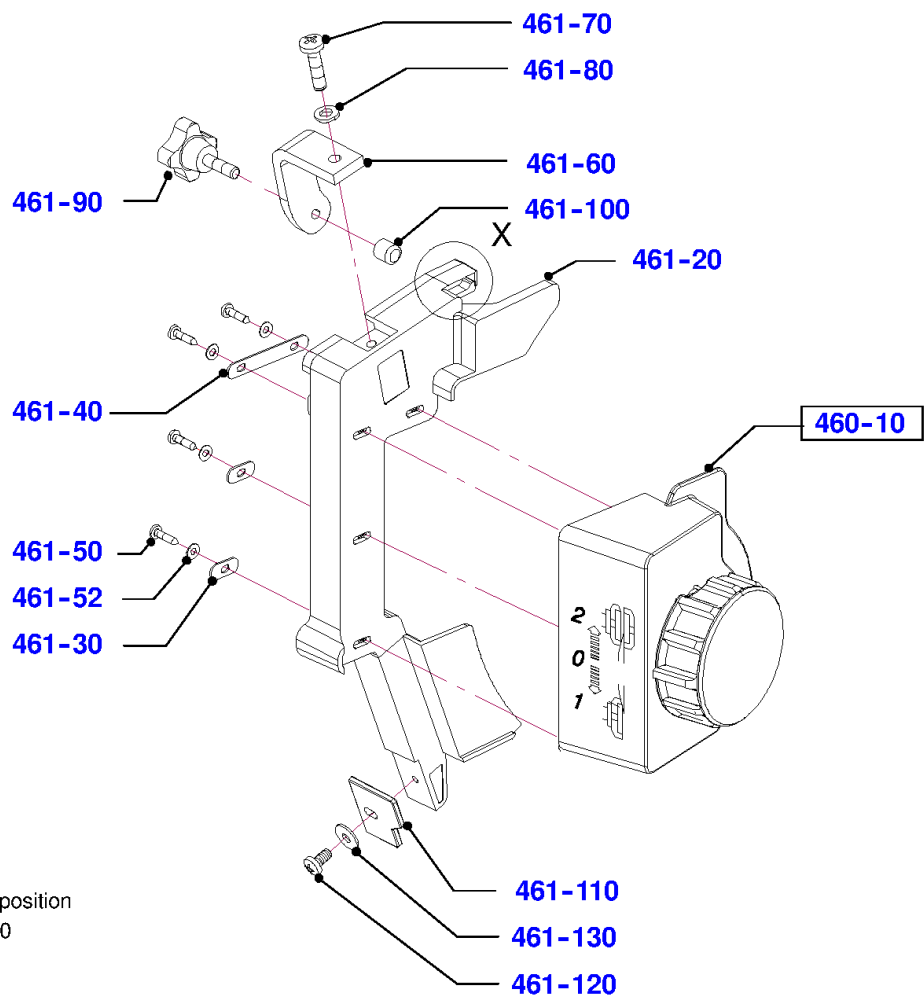
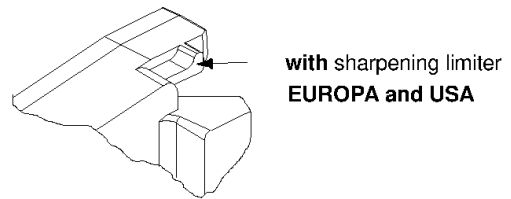
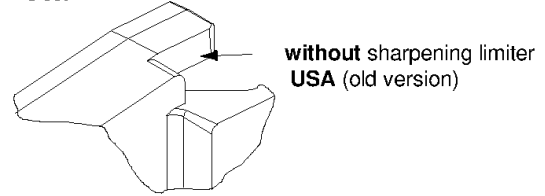
UVV Sharpener preass. GSP

Material No.	Qty	Material description	available for order	Wear part	Recomm. sp. part	Metr. relevance
38010548000	1	Housing				
60220600500	1	Shaft 12x58				
38010980000	1	pressure spring				
56755650000	1	Washer DIN433-6-A2				
57753400000	1	Retaining Washer DIN6799-4 57753400000				
38009954000	1	bearing bolt				
38009906000	1	handwheel				
38900056000	1	Oval-head screw DIN7985 M6x30-A2-70				
56739060000	1	Washer DIN125-A-6-A2				
60220602600	1	Spacer sleeve 10x6,1x5,5				
60220600700	1	Shaft 12x54,5				
38010995001	1	pressure spring				
60270202801	1	Washer				
40220601100	1	Locking washer 11x5,4x1,5				
57753400000	1	Retaining Washer DIN6799-4 57753400000				
38010816000	2	Flat spring 29,5x10x0,6				
60220600900	1	Cover 71x5.5				
38132485000	2	Washer 6,3x12x0,5				
60223401001	1	Sharpening disc				
60223401101	1	Honing Disc				
38010304000	2	Washer				
56739060000	2	Washer DIN125-A-6-A2				
38012558000	2	Hexagon nut DIN439-M6-A2				
96055070000	0,001	Grease PARALIQ GA 343				

Grinder NSF compl., 18L / 25L, with or without sharpening limiter



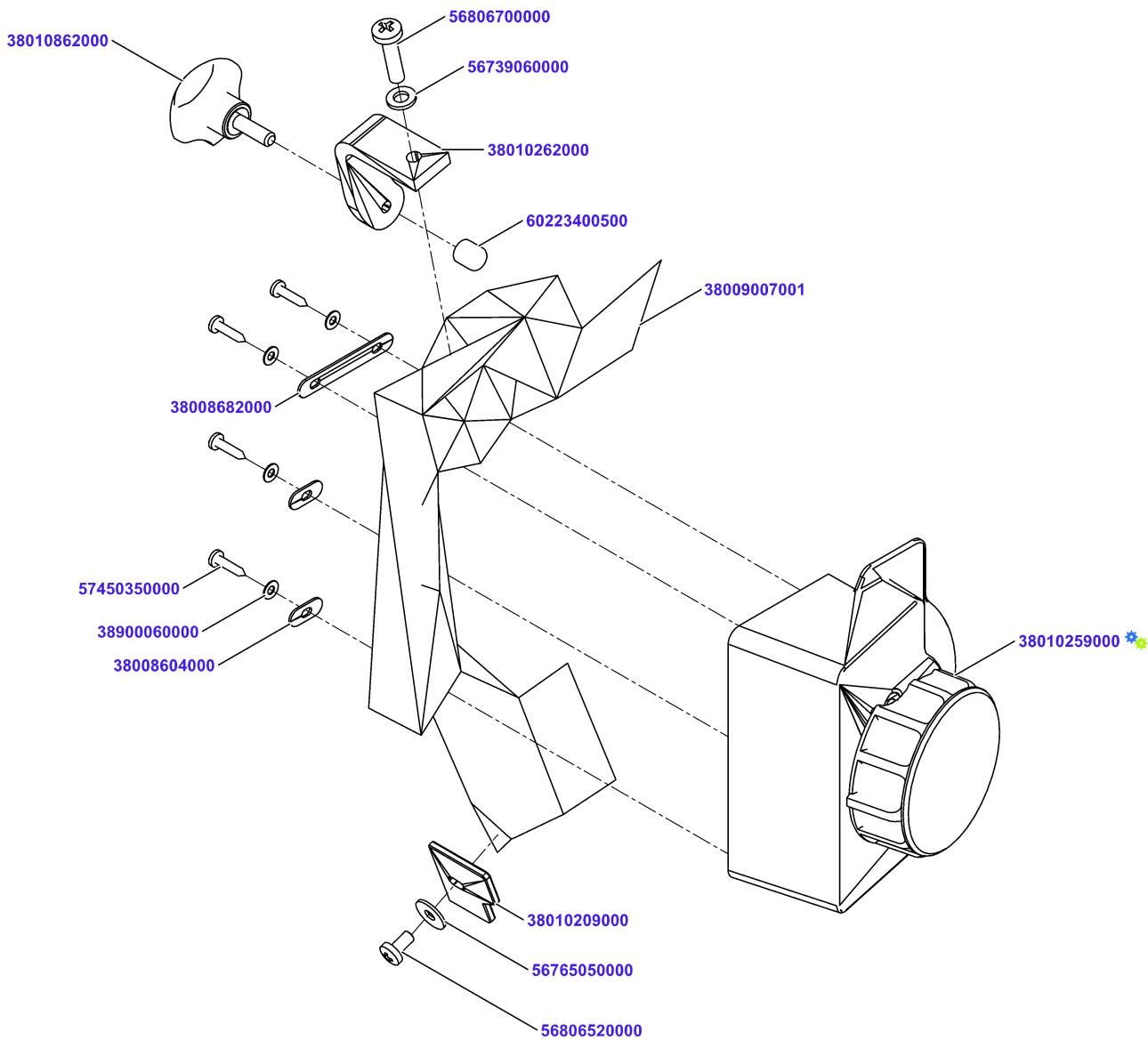
Detail X



Grinder NSF compl., 18L / 25L, with or without sharpening limiter

Item	Material No.	Qty	Material description	available for order	Wear part	Recomm. sp. part	Metr. relevance
460-10	38010259000	001	UVV Sharpener preass. GSP	✓			
461	38010524000	001	GRINDER NSF KPL. USA 25L WITHOUT SHARPENING LIMITER	✓			
461	38010524001	001	Grinder GSP 330 cpl. 18/25 Low	✓			
461-20	38009007000	001	ADAPTER, USA OLD VERSION WITHOUT SHARPENING LIMITER	✓			
461-20	38009007001	001	adapter, USA 25L / Europe 0 18L	✓			
461-30	38008604000	002	Cover disc 18x8	✓			
461-40	38008682000	001	cover disc long	✓			
461-50	57450350000	004	Self-tap screw ISO7049-C3,5x16 A2-50-T15	✓			
461-52	38900060000	004	Washer DIN125-A-3,5-A2	✓			
461-60	38010262000	001	tightening element	✓			
461-70	56806700000	001	Oval-head screw DIN7985 M6x25-A2-70	✓			
461-80	56739060000	001	Washer DIN125-A-6-A2	✓			
461-90	38010862000	001	Steel star handle 18,85mm, cpl.	✓			
461-100	60223400500	001	Cap M6x10	✓			
461-110	38010209000	001	Stop - Verwendung entfallen	✓			
461-120	56806520000	001	Oval-head screw DIN7985 M5x10-A2-70	✓			
461-130	56765050000	001	Washer DIN 9021-5_3-A2-70 56765050000	✓			
9903	95972840000	001	LOCTITE 648 10M	✓			

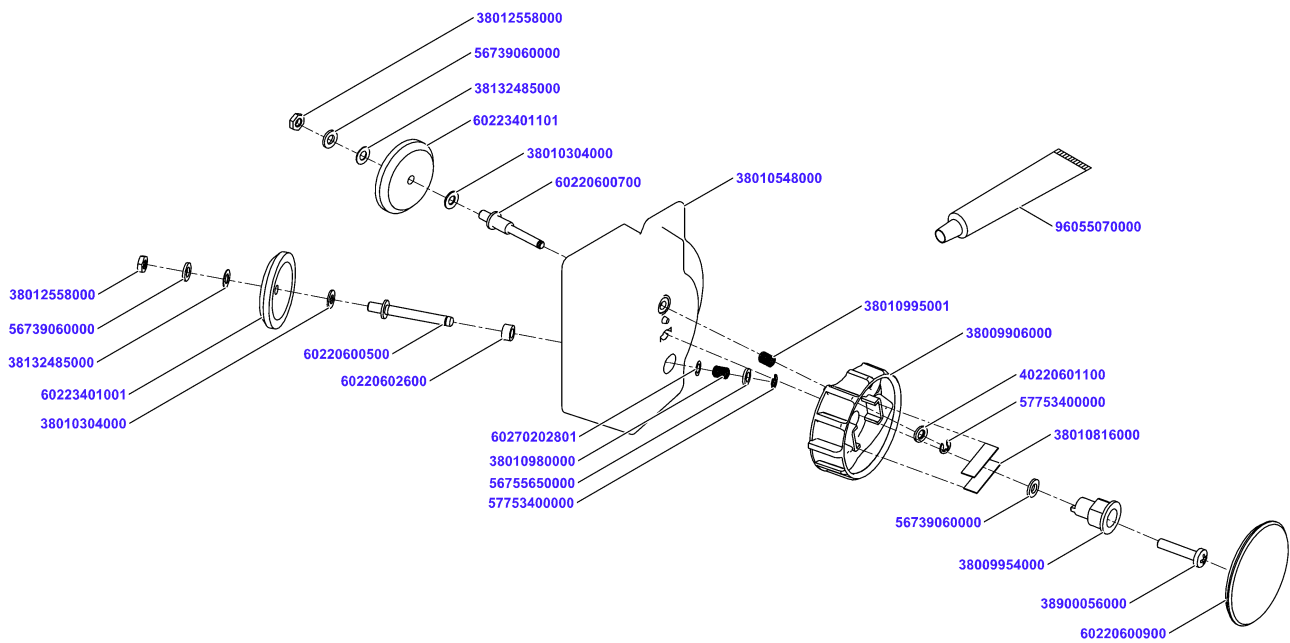
Grinder GSP 330 cpl. 18/25 Low



Grinder GSP 330 cpl. 18/25 Low

Material No.	Qty	Material description	available for order	Wear part	Recomm. sp. part	Metr. relevance
38010259000	1	UVV Sharpener preass. GSP	✓			
38009007001	1	adapter, USA 25L / Europe 0 18L	✓			
38008604000	2	Cover disc 18x8	✓			
38008682000	1	cover disc long	✓			
57450350000	4	Self-tap screw ISO7049-C3,5x16 A2-50-T15	✓			
38900060000	4	Washer DIN125-A-3,5-A2	✓			
38010262000	1	tightening element	✓			
56806700000	1	Oval-head screw DIN7985 M6x25-A2-70	✓			
56739060000	1	Washer DIN125-A-6-A2	✓			
38010862000	1	Steel star handle 18,85mm, cpl.	✓			
60223400500	1	Cap M6x10	✓			
38010209000	1	Stop - Verwendung entfallen	✓			
56806520000	1	Oval-head screw DIN7985 M5x10-A2-70	✓			
56765050000	1	Washer DIN 9021-5_3-A2-70 56765050000	✓			

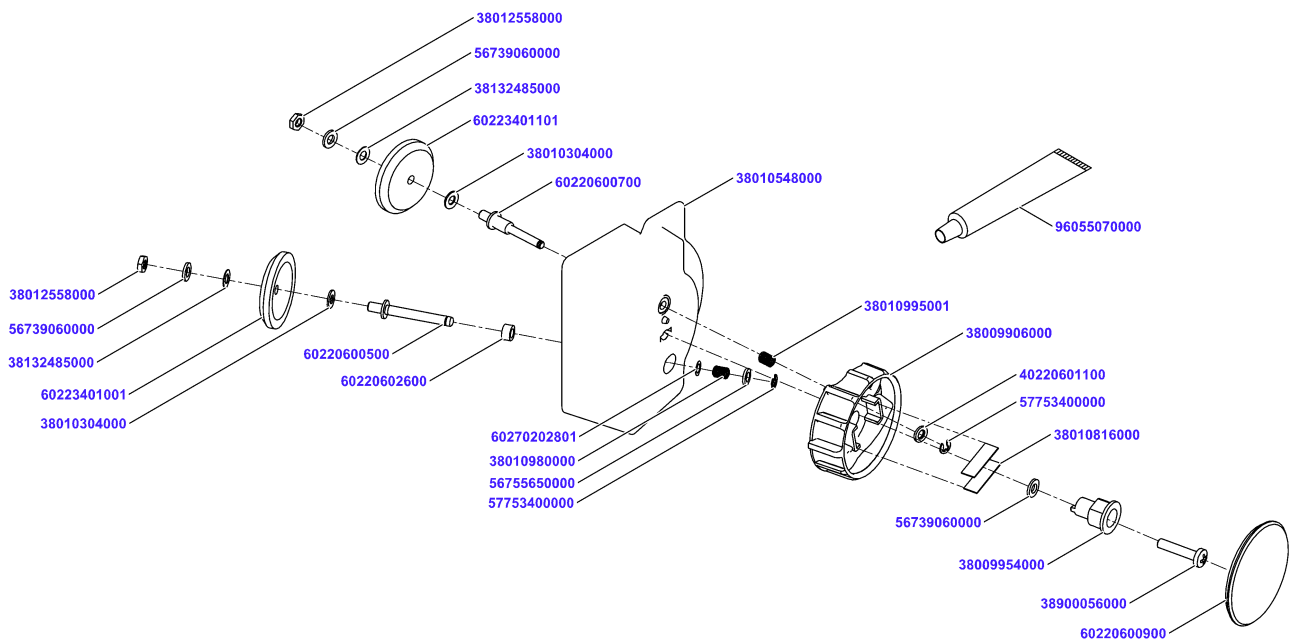
UVV Sharpener preass. GSP



UVV Sharpener preass. GSP

Material No.	Qty	Material description	available for order	Wear part	Recomm. sp. part	Metr. relevance
38010548000	1	Housing				
60220600500	1	Shaft 12x58				
38010980000	1	pressure spring				
56755650000	1	Washer DIN433-6-A2				
57753400000	1	Retaining Washer DIN6799-4 57753400000				
38009954000	1	bearing bolt				
38009906000	1	handwheel				
38900056000	1	Oval-head screw DIN7985 M6x30-A2-70				
56739060000	1	Washer DIN125-A-6-A2				
60220602600	1	Spacer sleeve 10x6,1x5,5				
60220600700	1	Shaft 12x54,5				
38010995001	1	pressure spring				
60270202801	1	Washer				
40220601100	1	Locking washer 11x5,4x1,5				
57753400000	1	Retaining Washer DIN6799-4 57753400000				
38010816000	2	Flat spring 29,5x10x0,6				
60220600900	1	Cover 71x5.5				
38132485000	2	Washer 6,3x12x0,5				
60223401001	1	Sharpening disc				
60223401101	1	Honing Disc				
38010304000	2	Washer				
56739060000	2	Washer DIN125-A-6-A2				
38012558000	2	Hexagon nut DIN439-M6-A2				
96055070000	0,001	Grease PARALIQ GA 343				

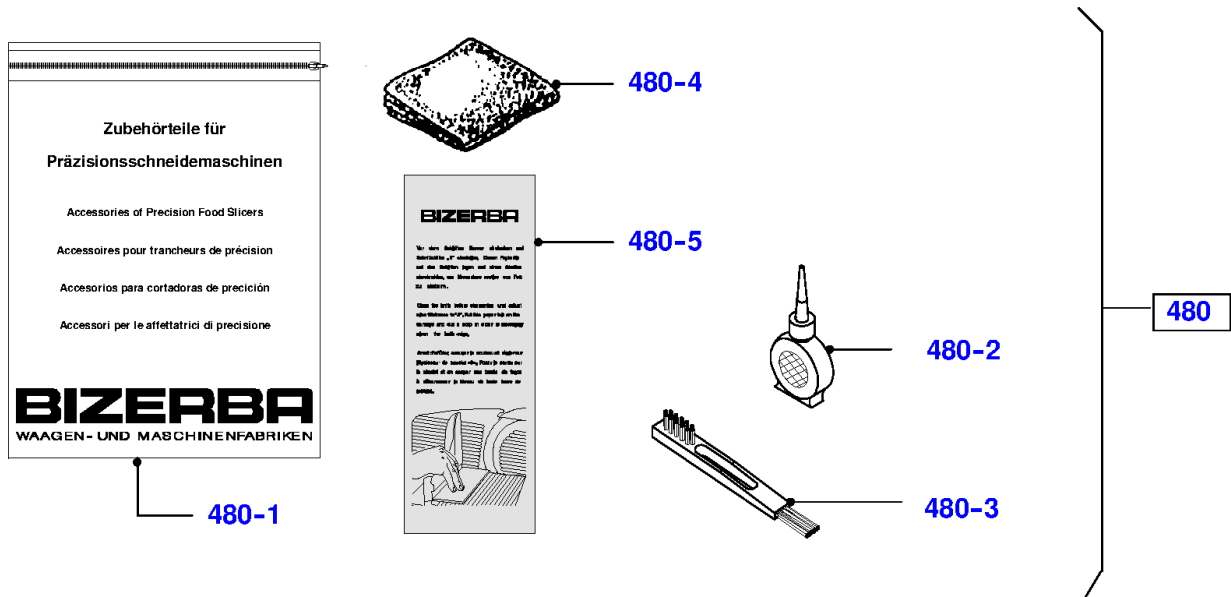
UVV Sharpener preass. GSP



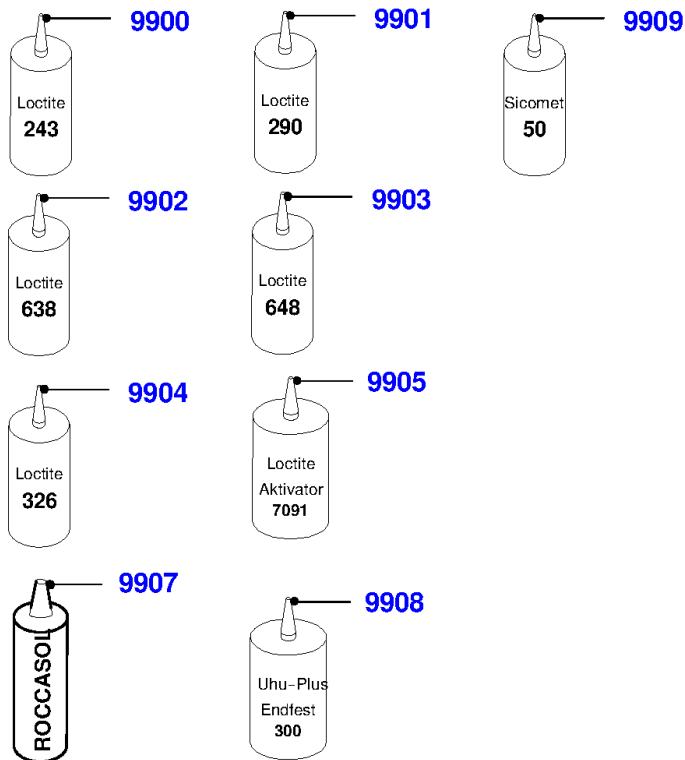
UVV Sharpener preass. GSP

Material No.	Qty	Material description	available for order	Wear part	Recomm. sp. part	Metr. relevance
38010548000	1	Housing	✓			
60220600500	1	Shaft 12x58	✓			
38010980000	1	pressure spring	✓			
56755650000	1	Washer DIN433-6-A2	✓			
57753400000	1	Retaining Washer DIN6799-4 57753400000	✓			
38009954000	1	bearing bolt	✓			
38009906000	1	handwheel	✓			
38900056000	1	Oval-head screw DIN7985 M6x30-A2-70	✓			
56739060000	1	Washer DIN125-A-6-A2	✓			
60220602600	1	Spacer sleeve 10x6,1x5,5	✓			
60220600700	1	Shaft 12x54,5	✓			
38010995001	1	pressure spring	✓			
60270202801	1	Washer	✓			
40220601100	1	Locking washer 11x5,4x1,5	✓			
57753400000	1	Retaining Washer DIN6799-4 57753400000	✓			
38010816000	2	Flat spring 29,5x10x0,6	✓			
60220600900	1	Cover 71x5.5	✓			
38132485000	2	Washer 6,3x12x0,5	✓			
60223401001	1	Sharpening disc	✓	✓		
60223401101	1	Honing Disc	✓	✓		
38010304000	2	Washer	✓			
56739060000	2	Washer DIN125-A-6-A2	✓			
38012558000	2	Hexagon nut DIN439-M6-A2	✓			
96055070000	0,001	Grease PARALIQ GA 343	✓			

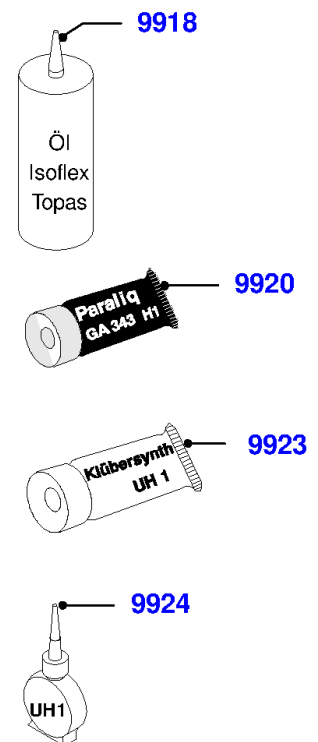
Accessories Kit - Paper felt, adhesive, lubricant



Glue



Lubrication

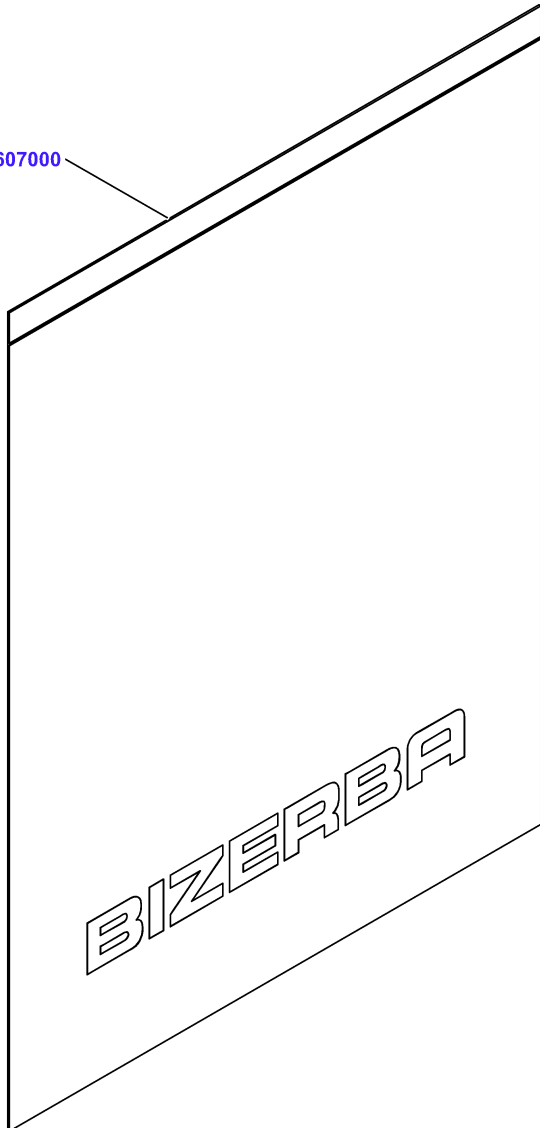


Accessories Kit - Paper felt, adhesive, lubricant

Item	Material No.	Qty	Material description	available for order	Wear part	Recomm. sp. part	Metr. relevance
480	60374700100	001	Accessories Kit for manually Slicer	✓			
480-1	40220003400	001	PROTECTIVE BAG	✓			
480-2	60220007800	001	SERVICE OIL BY BIZERBA 30 ML	✓	✓	✓	
480-3	40950000176	001	Brush 160x16	✓			
480-4	50002840000	001	CLOTH 38X40	✓			
480-5	60220007500	001	Paper Felt	✓			
9900	95972940000	001	LOCTITE 243 10ML	✓			
9901	95972990002	010	Loctite 290	✓			
9902	95973900000	010	LOCTITE 638 10ML 142619	✓			
9903	95972840000	001	LOCTITE 648 10M	✓			
9904	95972660002	001	LOCTITE 326 50ML	✓			
9905	95972670002	001	LOCTITE 7091 1000ML	✓			
9907	95972810002	001	Roccasol 220 SI / 310ml	✓			
9908	95943850002	001	UHU- PLUS ENDFEST 300	✓			
9909	95972710002	001	SICOMET 50 50G	✓			
9918	96055040001	001	Grease Isoflex Topas NB 5051	✓			
9920	94008908076	001	GREASE PARALIQ GA343 H1 25ML	✓			
9923	96055080000	001	Kluebersynth UH1 64-62/25kg	✓			
9924	96055050000	001	Lubricating Oil F.L.5 Oil UH1	✓			

Accessories Kit for manually Slicer

38187607000

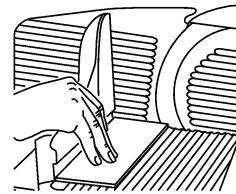


BIZERBA

Vor dem Schleifen Messer abwischen und Schnittstärke „8“ einstellen. Diesen Papierfilter auf den Schlitten legen und einen Streifen abschneiden, um Messerface restlos von Fett zu säubern.

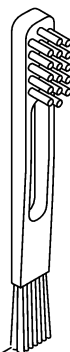
Clean the knife before sharpening and adjust slice thickness to „8“. Put this paperfelt on the carriage and cut a strip in order to thoroughly clean the knife-edge.

Avant d'affûter, essuyer le couteau et régler sur l'épaisseur de tranche «8». Poser carton sur le chariot et en couper une bande de façon à débarasser le biseau de toute trace de graisse.

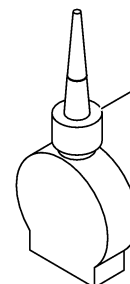


60220007500





40950000176



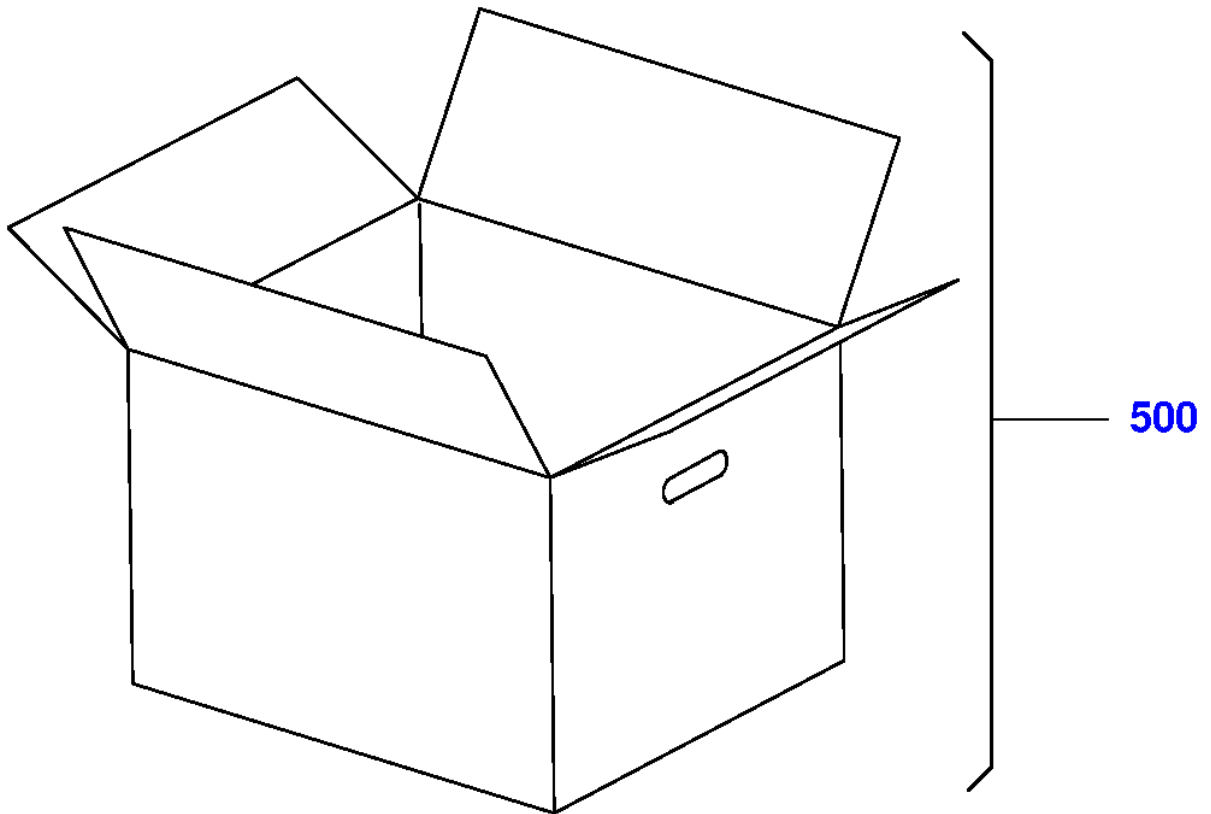
95900601030



Accessories Kit for manually Slicer

Material No.	Qty	Material description	available for order	Wear part	Recomm. sp. part	Metr. relevance
38187607000	1	Protective bag 400x300				
95900601030	1	Machinery oil H1 30ml				
40950000176	1	Brush 160x16				
60220007500	1	Paper Felt				

Packaging



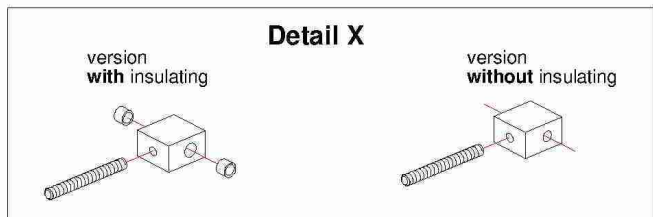
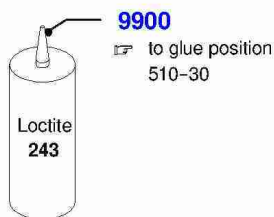
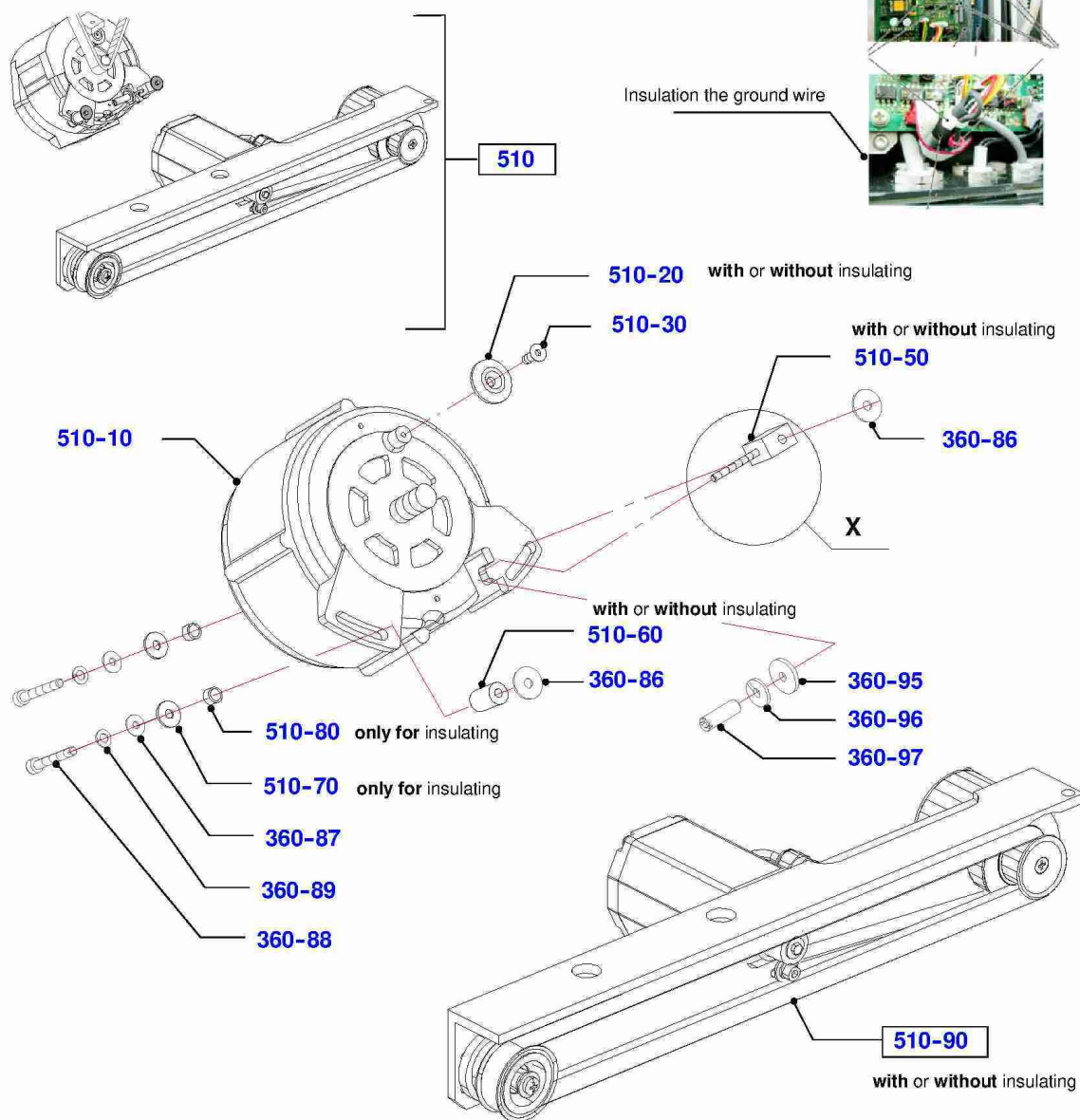
Packaging

Item	Material No.	Qty	Material description	available for order	Wear part	Recomm. sp. part	Metr. relevance
500	60388050101	001	PACKAGING GSP- HD CPL. 25L (BRAZIL)				
500	60388050201	001	PACKAGING GSP- HD CPL. 0/18L				
500	60388050301	001	PACKAGING GSP- HD CPL. 25H				

Carriage drive - with or without electr. insulated

Drive GSP HD with or without insulating

Drive GSP HD with or without insulating



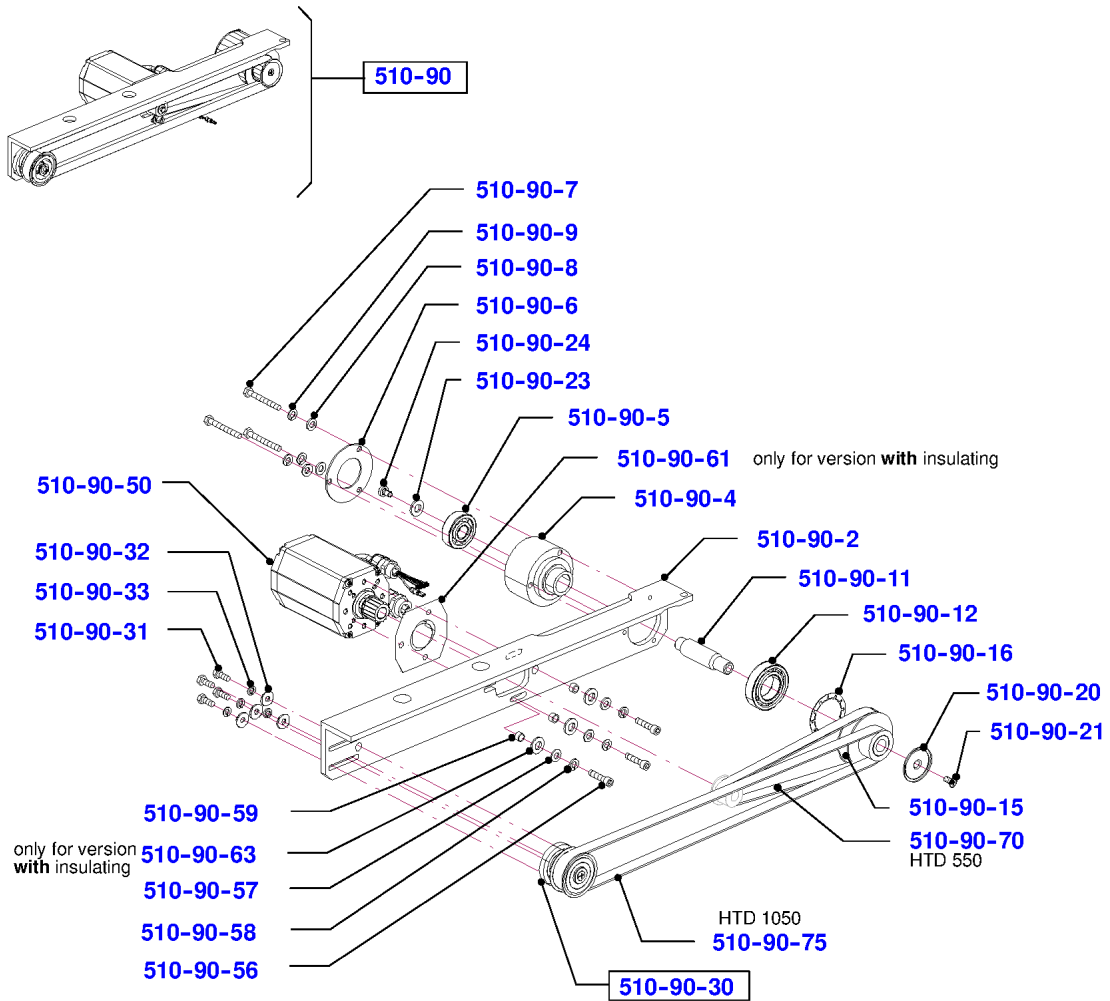
Carriage drive - with or without electr. insulated

Item	Material No.	Qty	Material description	available for order	Wear part	Recomm. sp. part	Metr. relevance
360-86	40110000099	002	Washer 22x6,5x1,5	✓			
360-87	56765060000	002	Washer DIN9021-6-A2	✓			
360-88	57736450000	002	SOCKET HEAD SCREW DIN 912- M 6X45- 8.8	✓			
360-89	57767060000	002	Spring lock washer DIN128-A6-FSt	✓			
360-95	60220200601	001	washer	✓			
360-96	57767060000	001	Spring lock washer DIN128-A6-FSt	✓			
360-97	60370109701	001	clamping nut	✓			
510	60388051100	001	DRIVE GSP- H D ELECTR. INSULATED	✓			
510	60388051200	001	DRIVE GSP- H D NOT ELECTR. INSULATED	✓			
510-10	60370114601	001	BLADE MOTOR SE 12 D RATIO	✓			
510-20	38010326001	001	Washer	✓			
510-20	60370107201	001	WASHER	✓		✓	
510-30	57442160000	001	Countersunk screw ISO 10642 M6x16-A2-70	✓			
510-50	38010328000	001	SPACER PREASSEM., INSULATED	✓			
510-50	60370107301	001	Mini-assembly spacer 42mm	✓			
510-60	38010329000	001	SPACER RING, INSULATED	✓		✓	
510-60	60370107502	001	Spacer 24x15x6	✓			
510-70	56764070000	003	Washer DIN9021-6-PA66	✓			
510-80	50005070000	002	Plain bearing 6x8x6	✓			
510-90	60380300005	001	CARRIAGE DRIVE SE12D RATIO NOT INSULATED	✓			
510-90	60384130004	001	CARRIAGE DRIVE SE12D RATIO/ INSULATED	✓			
9900	95972940000	001	LOCTITE 243 10ML	✓			

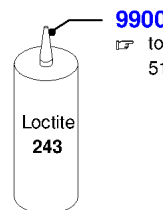
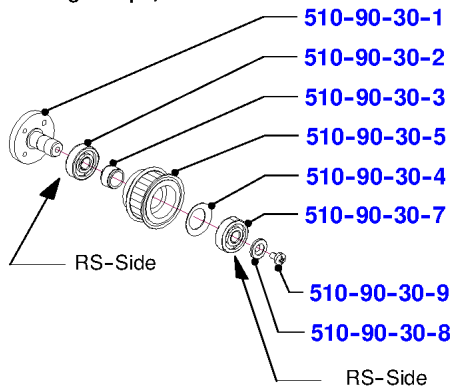
Carriage drive - with or without electr. insulated

Carriage drive SE 12D Ratio, with or without insulating Bearing compl., HTD 5M

Carriage drive SE 12D Ratio, with or without insulating



Bearing compl., HTD 5M



9900
to glue position 510-90-21,
510-90-24 and 510-90-30-9

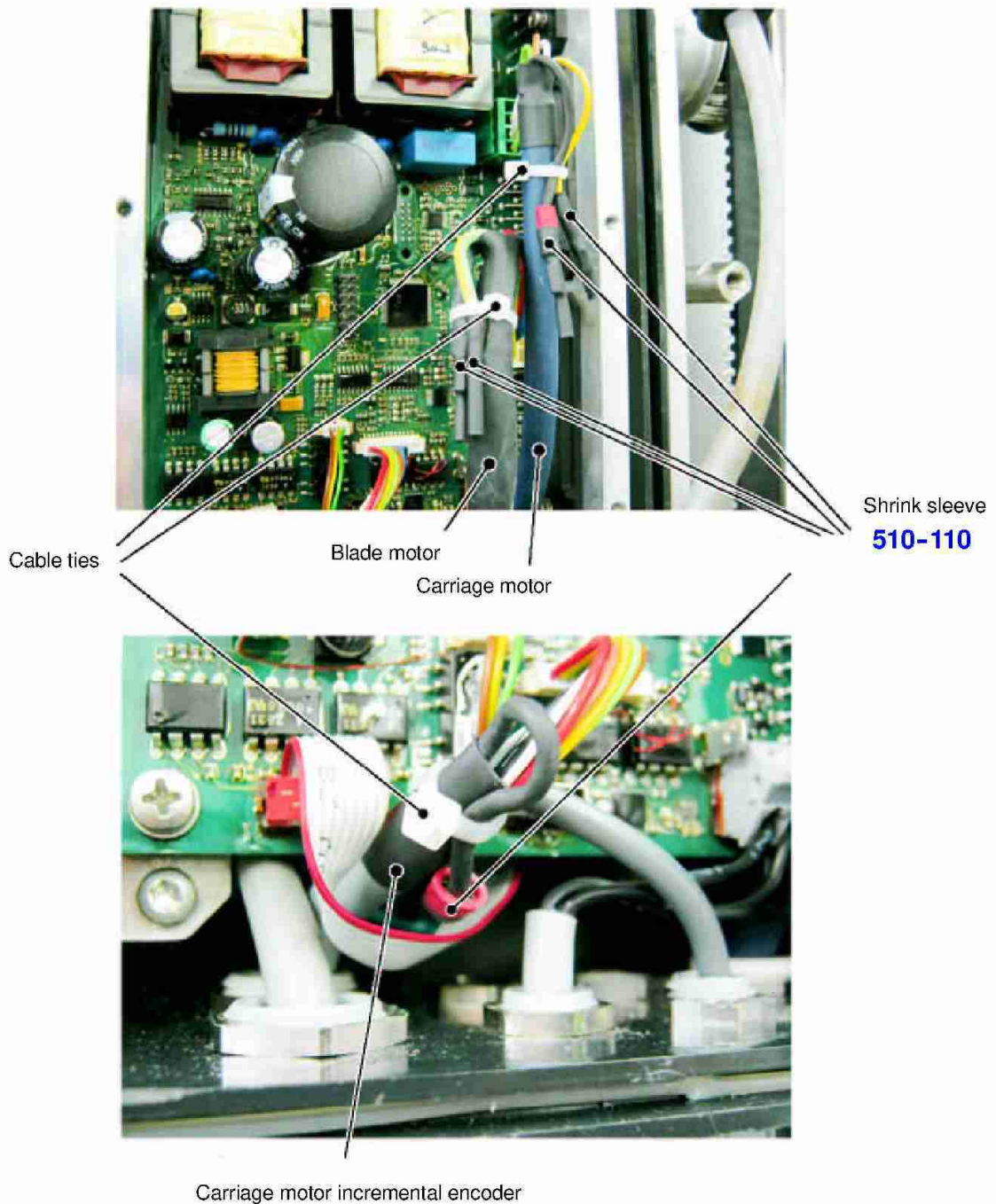
Carriage drive - with or without electr. insulated

Item	Material No.	Qty	Material description	available for order	Wear part	Recomm. sp. part	Metr. relevance
510-90	60380300005	001	CARRIAGE DRIVE SE12D RATIO NOT INSULATED				
510-90	60384130004	001	CARRIAGE DRIVE SE12D RATIO/ INSULATED				
510-90-2	60380303903	001	CARRIER				
510-90-4	60380307001	001	BEARING PEDESTAL				
510-90-5	56362670000	001	Grooved ball bearing DIN625 15x42x13				
510-90-6	60380302900	001	WASHER				
510-90-7	57264250000	003	Hexagon screw DIN931 M6x50 A2-70				
510-90-8	56739060000	003	Washer DIN125-A-6-A2				
510-90-9	57767060000	003	Spring lock washer DIN128-A6-FSt				
510-90-11	60380307101	001	Shaft 83,5x20				
510-90-12	56362680000	001	Grooved ball bearing 30x55x13 6006-2NSE9				
510-90-15	60380306201	001	BELT PULLEY 2 COMPL. HTD 5M				
510-90-16	50282370000	001	Disc spring 54,5x40,5x0,45				
510-90-20	60380302402	001	DISK				
510-90-21	57451630000	001	Countersunk screw DIN965 M6x10-A2-70				
510-90-23	60112000029	001	Washer				
510-90-24	56806640000	001	Oval-head screw DIN7985 M6x10-A2-70				
510-90-30	60380306401	001	Bearing 3 complete				
510-90-30-1	60380303001	001	Axle 50x37,8				
510-90-30-2	56362640000	001	Grooved ball bearing 15x32x9				
510-90-30-3	60380303102	001	Bush				
510-90-30-4	50001680000	001	Disc spring 31,7x20,4x0,35				
510-90-30-5	60380306701	001	BELT PULLEY 3 CPL HTD 5M				
510-90-30-7	56362640000	001	Grooved ball bearing 15x32x9				
510-90-30-8	56765060000	001	Washer DIN9021-6-A2				
510-90-30-9	56806640000	001	Oval-head screw DIN7985 M6x10-A2-70				
510-90-31	57431160000	004	Hexagon Screw DIN 933 M6x16 A2-70				
510-90-32	56765060000	004	Washer DIN9021-6-A2				
510-90-33	57767060000	004	Spring lock washer DIN128-A6-FSt				
510-90-50	60380304500	001	CARRIAGE MOTOR SE12D RATIO				
510-90-56	57743440000	003	Socket Head Screw DIN 912-M6x25-A2-70				
510-90-57	38020022000	003	WASHER, INSULATED				
510-90-57	56765060000	003	Washer DIN9021-6-A2				
510-90-58	57767060000	003	Spring lock washer DIN128-A6-FSt				
510-90-59	50005070000	003	Plain bearing 6x8x6				
510-90-61	60384112602	001	INSULATING PLATE, ONLY BY INSULATED				
510-90-63	56764070000	003	Washer DIN9021-6-PA66				
510-90-70	50009531000	001	Toothed belt 16 HTD5x550				
510-90-75	50009532000	001	Toothed belt 16 HTD5x1050				
9900	95972940000	001	LOCTITE 243 10ML				


Carriage drive - with or without electr. insulated

Insulation the gound wire (USA)

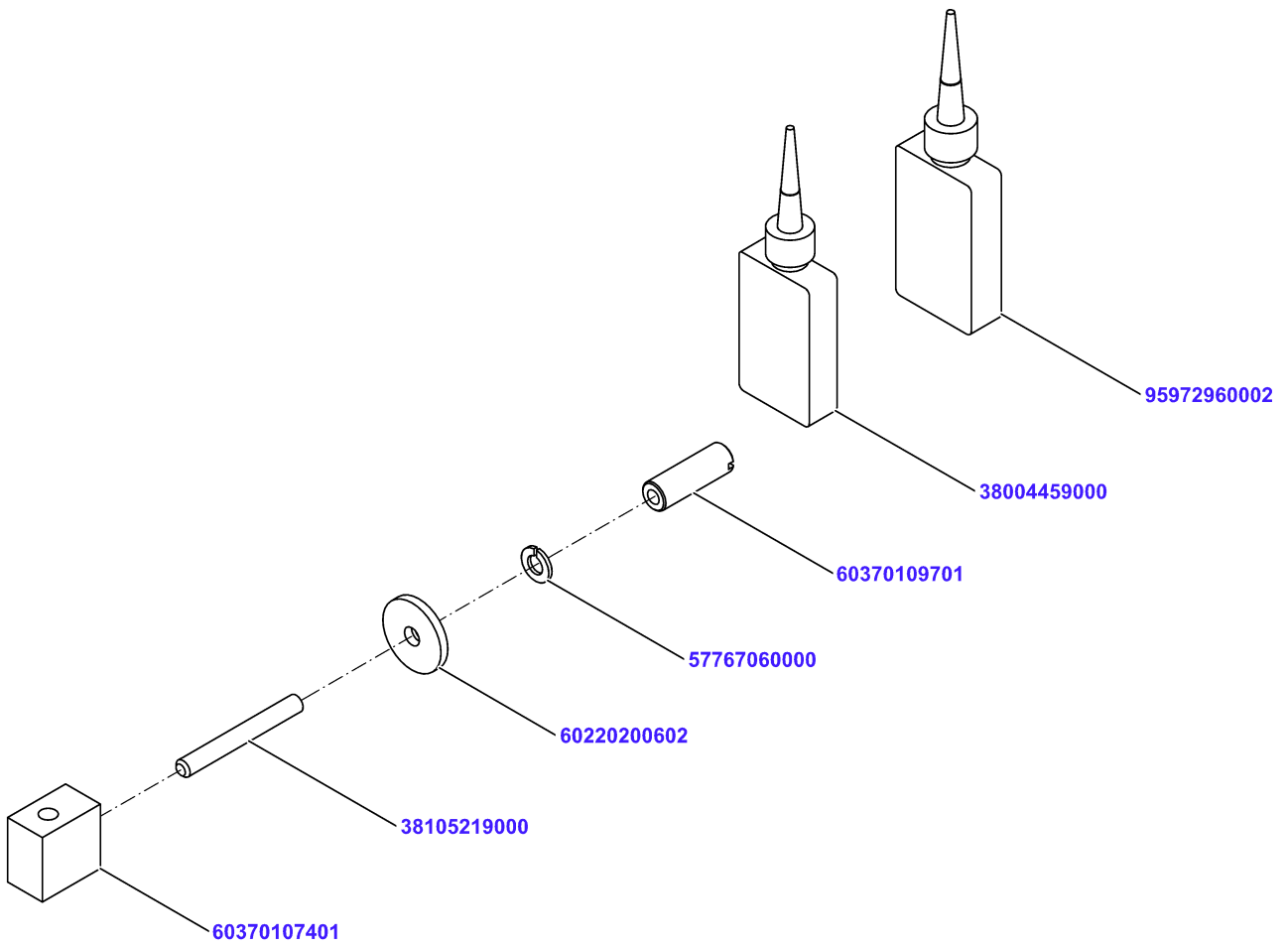
Insulation the gound wire (USA)



Carriage drive - with or without electr. insulated

Item	Material No.	Qty	Material description	available for order	Wear part	Recomm. sp. part	Metr. relevance
510-110	38026226000	005	SHRINK SLEEVE UL 4.8 30MM				

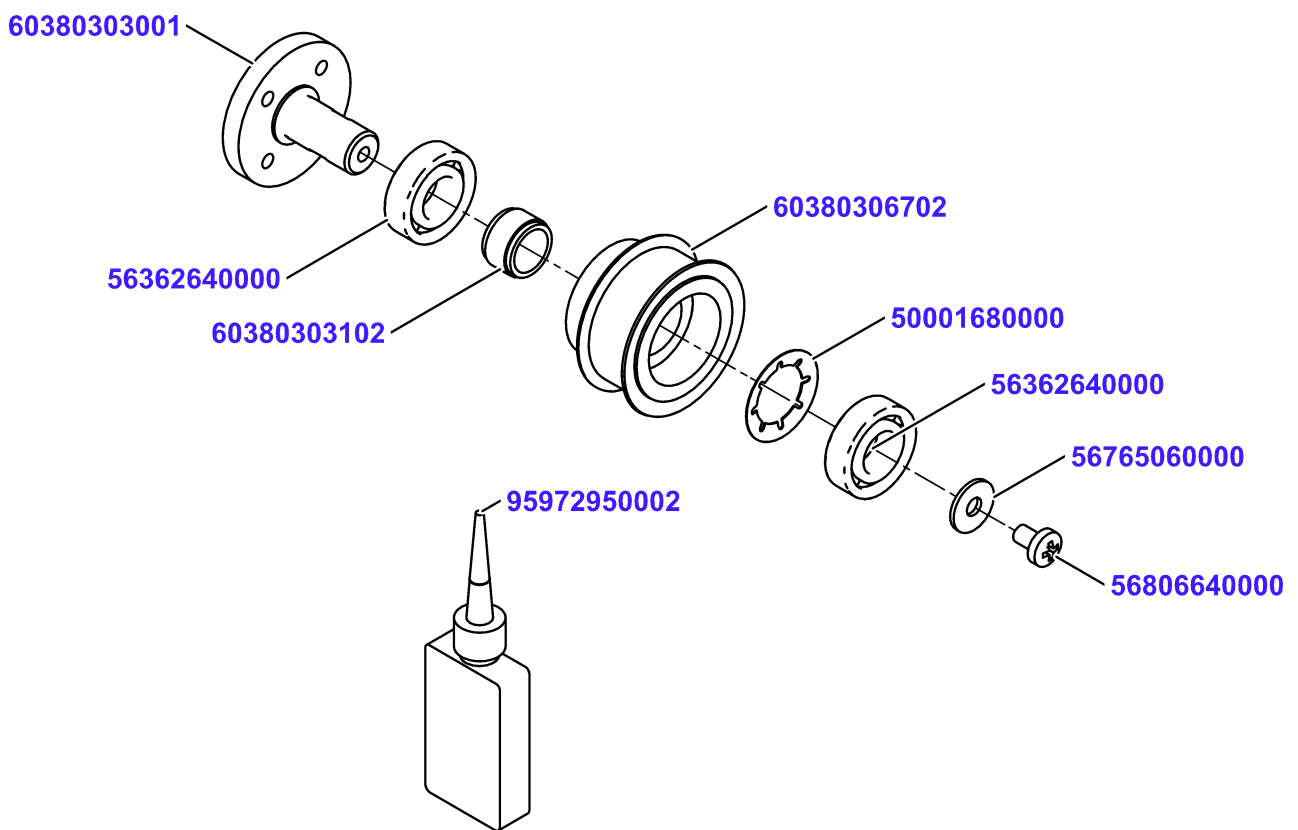
Mini-assembly spacer 42mm












Mini-assembly spacer 42mm

Material No.	Qty	Material description	available for order	Wear part	Recomm. sp. part	Metr. relevance
60370107401	1	Spacer				
38105219000	1	Set screw ISO4026 M6x50-A2-70				
38004459000	0,001	Loctite 648				
95972960002	0,001	Loctite 7649 500ml				
60220200602	1	Washer 6,4x25x3				
57767060000	1	Spring lock washer DIN128-A6-FSt				
60370109701	1	clamping nut				

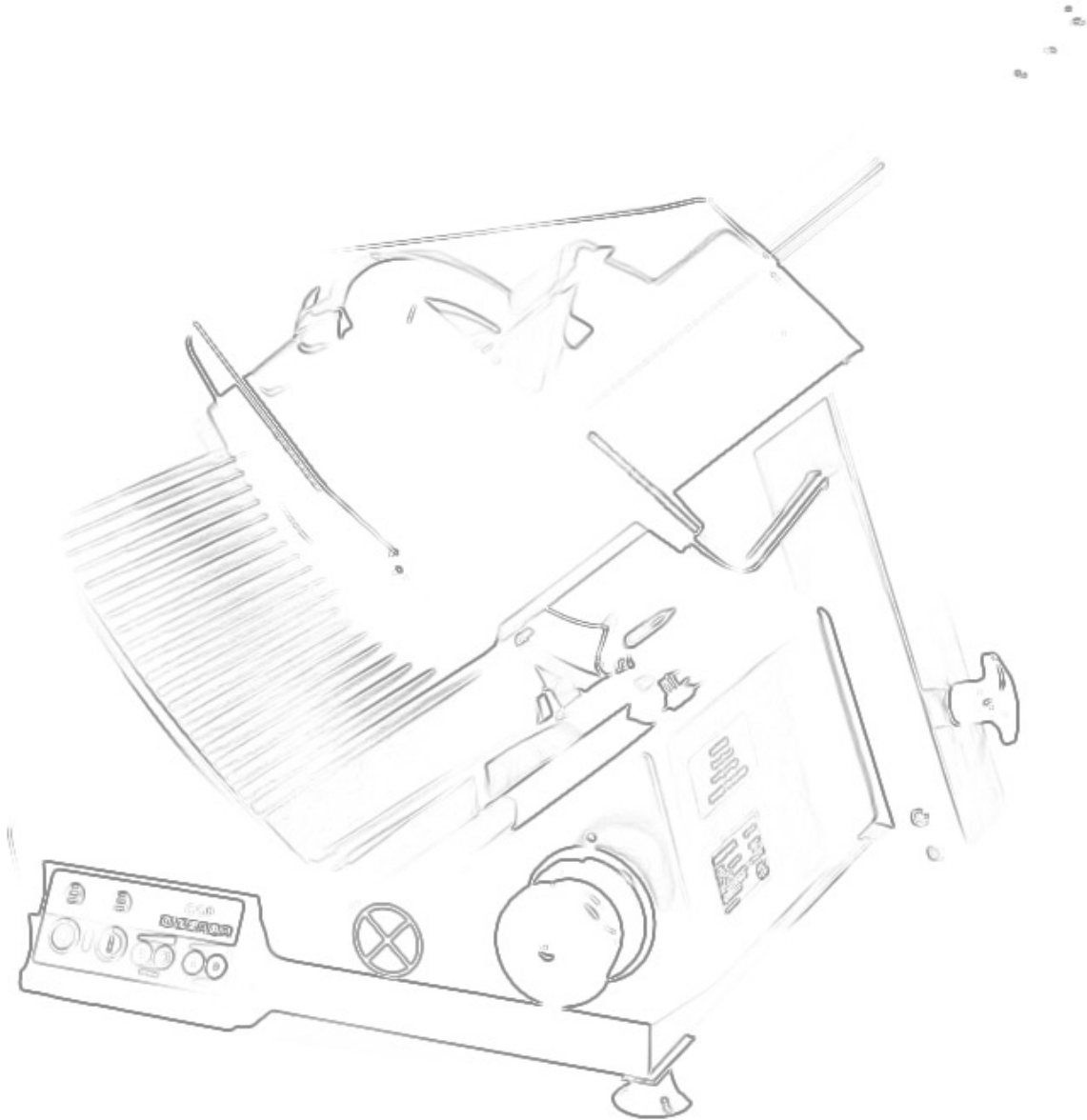
Bearing 3 complete



Bearing 3 complete

Material No.	Qty	Material description	available for order	Wear part	Recomm. sp. part	Metr. relevance
60380303001	1	Axle 50x37,8				
56362640000	1	Grooved ball bearing 15x32x9				
60380303102	1	Bush				
50001680000	1	Disc spring 31,7x20,4x0,35				
60380306702	1	Belt pulley compl. 3 HTD 5M				
56362640000	1	Grooved ball bearing 15x32x9				
56765060000	1	Washer DIN9021-6-A2				
56806640000	1	Oval-head screw DIN7985 M6x10-A2-70				
95972950002	0,001	Loctite 243 50 ml 95972950002				

Product fixation

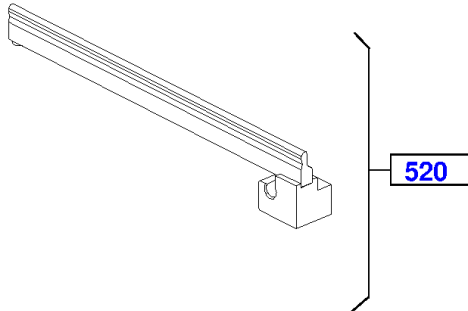


Product fixation

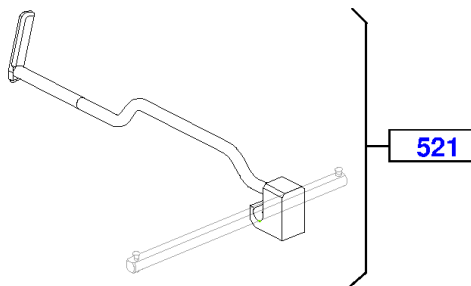
Item	Material No.	Qty	Material description	available for order	Wear part	Recomm. sp. part	Metr. relevance
NaviHotspot	...		Overview				
NaviHotspot	...		Ruler, compl., short (30x12x339 mm)				
NaviHotspot	...		Product fixation, compl. (346 mm)				
NaviHotspot	...		Vegetable chamber 333 and pusher				
NaviHotspot	...		Ruler 70 mm compl.				
NaviHotspot	...		Tomato loading device				
NaviHotspot	...		Ruler, compl., long (30x12x345 mm) for 25L / 25H				
NaviHotspot	...		Product fixation (Clamping carriage)				
17-1-30	60510100053	002	HEXAGON SETSCREW M 6X7X9	✓			
17-1-35	56359570000	003	GROOVED PIN SPECIAL 4X18- A2	✓			
17-1-40	56359380000	001	GROOVED PIN DIN 1473- 4X20- A2	✓		✓	
17-1-45	56086280000	001	Ball knob DIN319 M12x40 I	✓			
17-1-50	50001250000	002	Plain bearing 12x14x10	✓			
17-5	57743520000	002	Cylinder screw DIN912 M6x70-A2-70	✓			
17-10	60380303600	004	SHIM	✓			
17-15	57431250000	002	Hexagon screw DIN933 M6x25 A2-70	✓			
17-20	57767060000	002	Spring lock washer DIN128-A6-FSt	✓			
9900	95972940000	001	LOCTITE 243 10ML	✓			

Overview

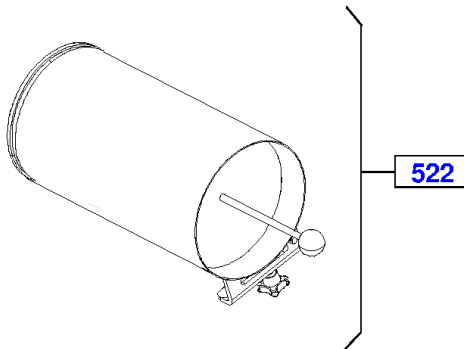
Ruler, compl., short (30x12x339 mm)



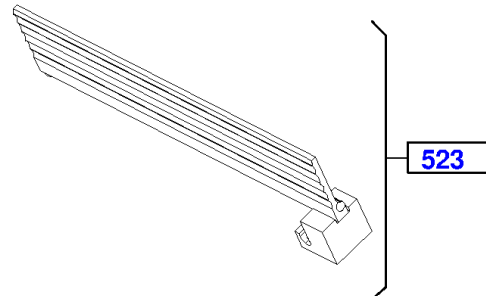
Product fixation, compl.



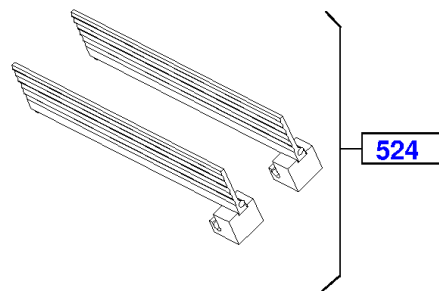
Vegetable chamber 333 and pusher, compl.



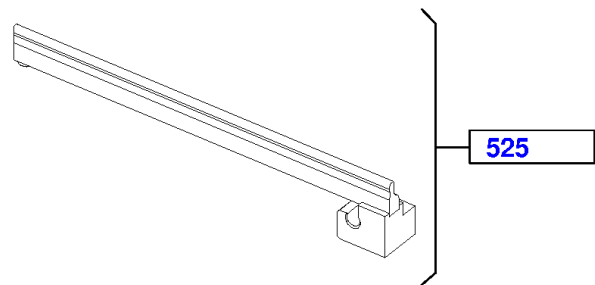
Ruler 70 mm compl.



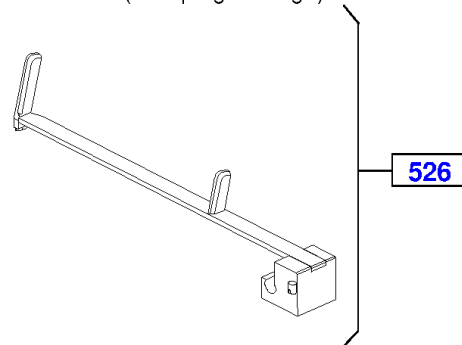
Tomato loading device



Ruler, compl. long (30x12x345 mm)



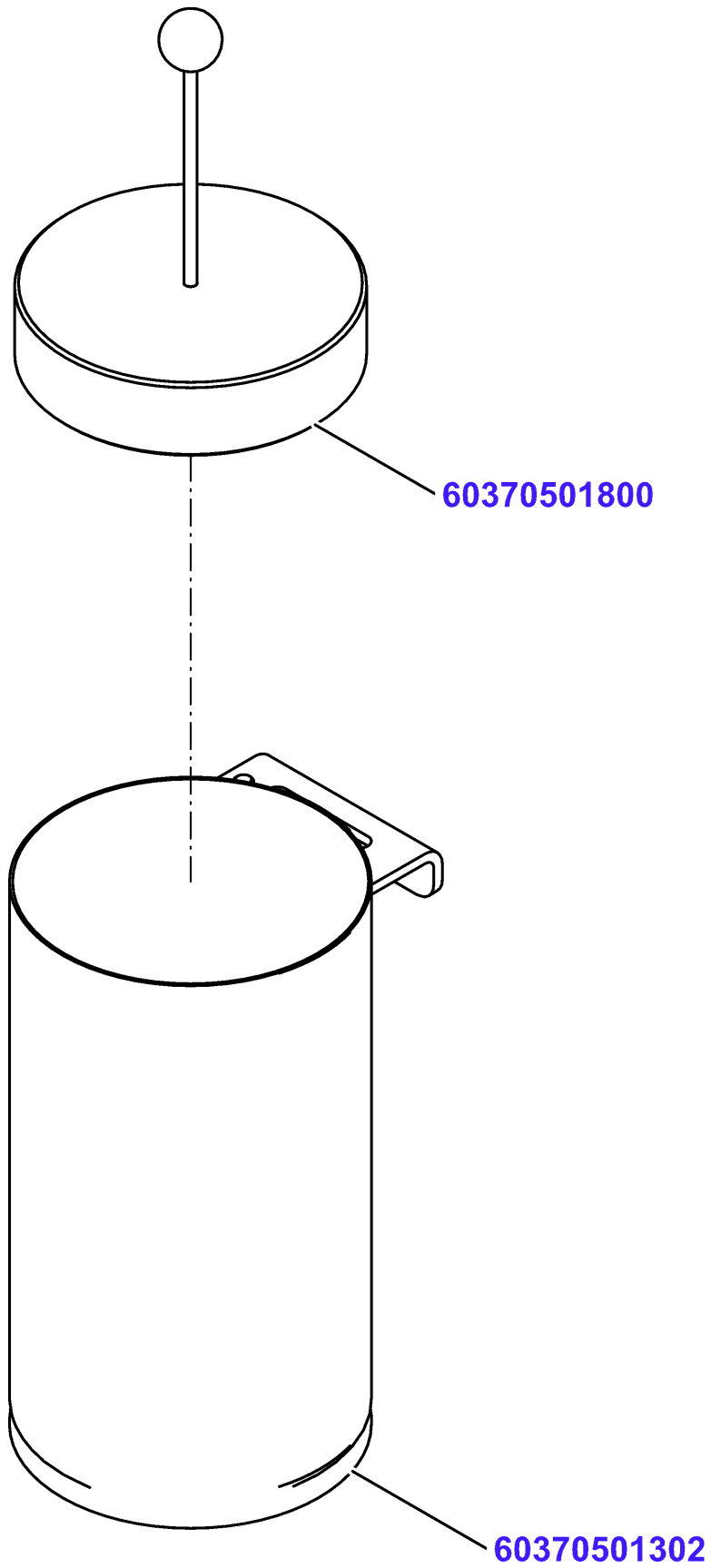
Product fixation (clamping carriage)



Overview

Item	Material No.	Qty	Material description	available for order	Wear part	Recomm. sp. part	Metr. relevance
520	60381802002	001	RULER CPL. SHORT	✓			
520	60381892002	001	RULER CPL. SHORT C	✓			
521	60381800601	001	PRODUCT FIXATION CPL (346MM)	✓			
522	60374600201	001	Vegetable chute 333 and pusher packed	✓			
523	60378052600	001	RULER 70MM CPL	✓			
523	60378052700	001	RULER 70MM CPL C	✓			
524	60378052800	001	Tomato loading device elox 70mm	✓			
524	60378052900	001	Tomato loading device C 70mm	✓			
525	38011665000	001	RULER CPL LONG (30x12x345MM) (FOR 25L / 25H)	✓			
525	60378052500	001	60378052500 001 RULER CPL LONG C (30x12x345MM) (FOR 25L / 25H)	✓			
526	60388053100	001	PRODUCT FIXATION (FOR CLAMPING CARRIAGE)	✓			

Vegetable chute 333 and pusher packed

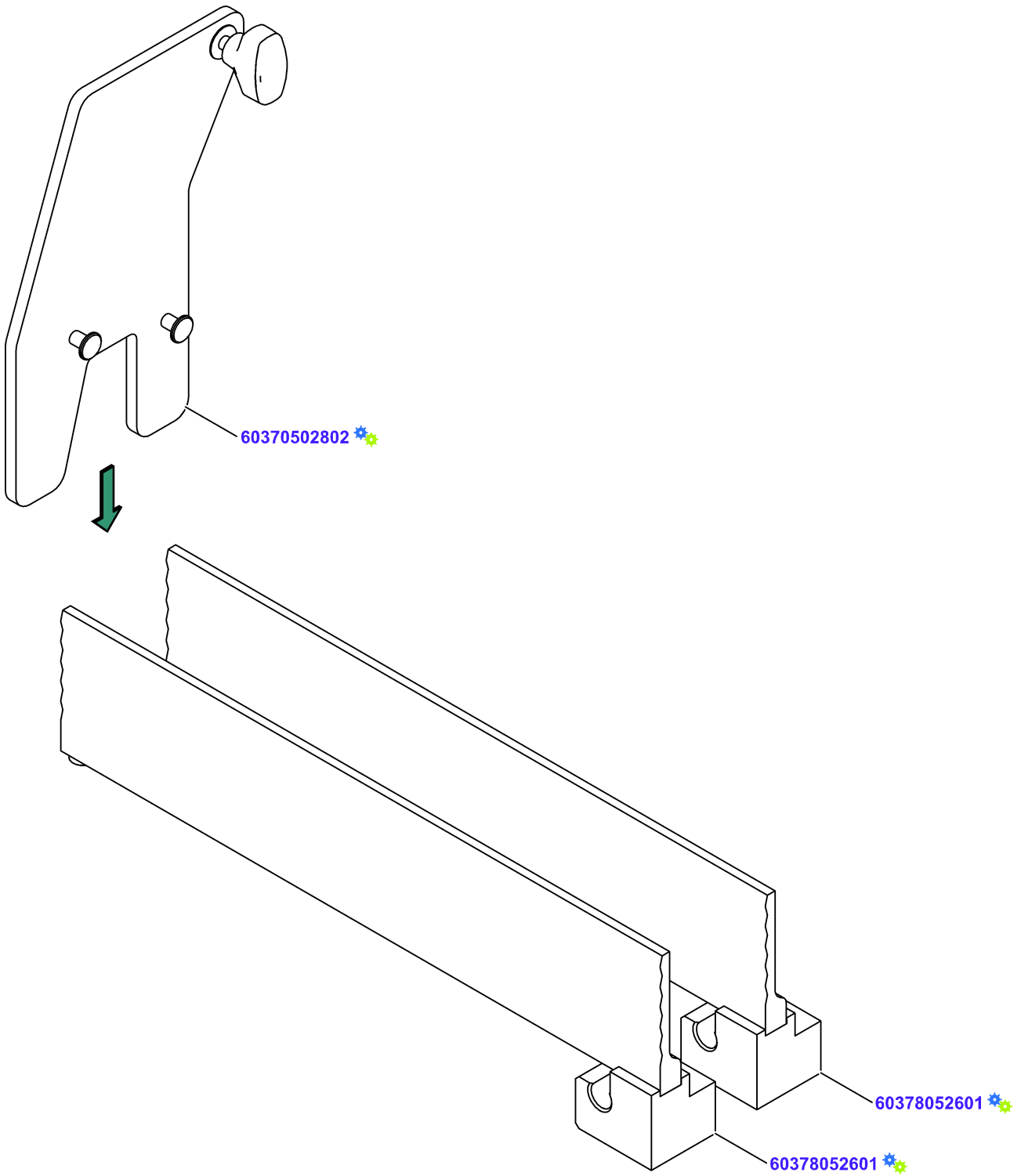


Vegetable chute 333 and pusher packed

Material No.	Qty	Material description
60370501302	1	Vegetable Chute 333 - mounted
60370501800	1	pusher cpl.

available for order
Wear part
Recomm. sp. part
Metr. relevance

Tomato loading device elox 70mm



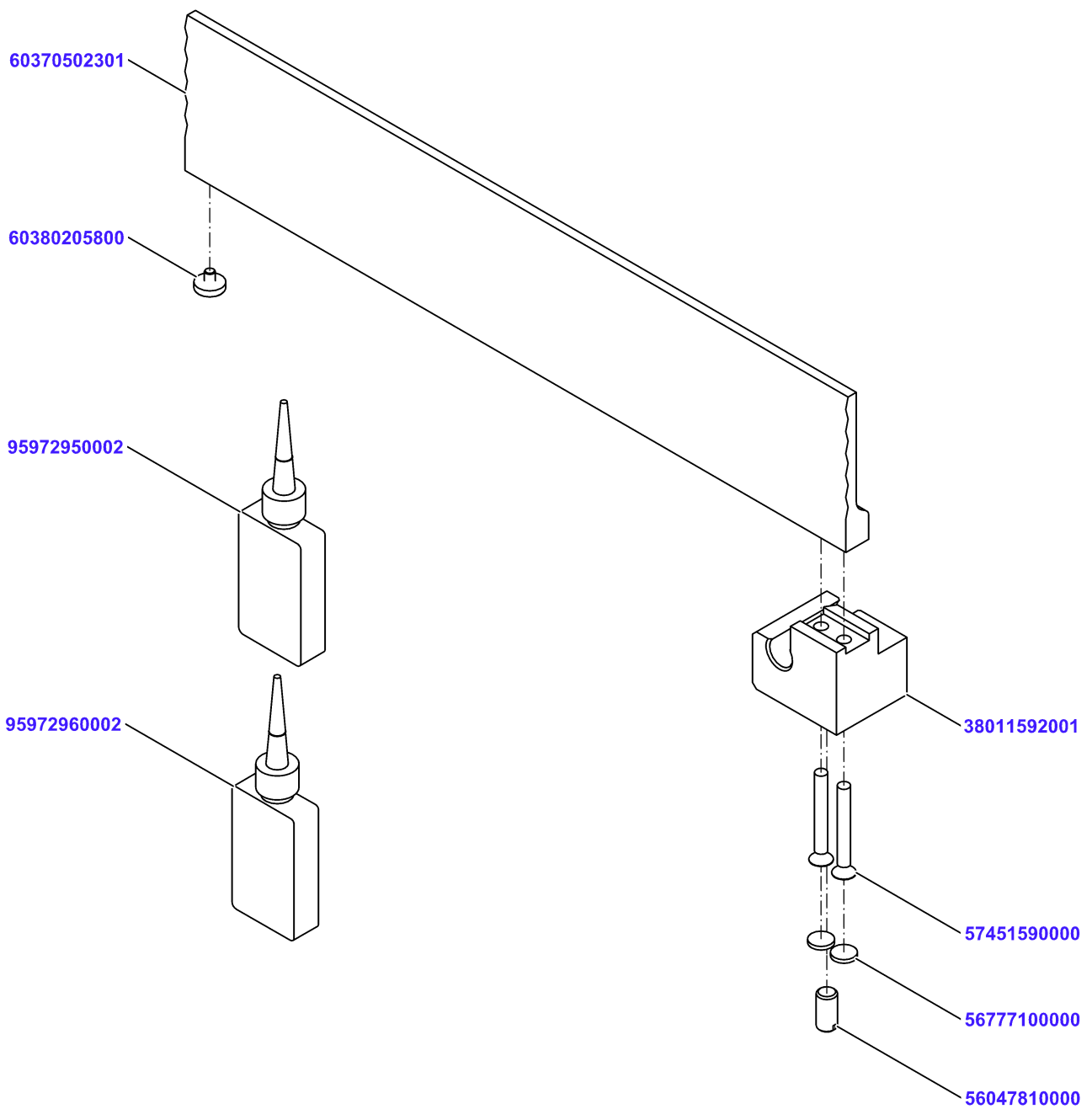
Tomato loading device elox 70mm

Material No.	Qty	Material description
60378052601	2	Ruler 70 mm cpl.
60370502802	1	Remnant holder plate tomatoes guidance









available for order
Wear part
Recomm. sp. part
Metr. relevance



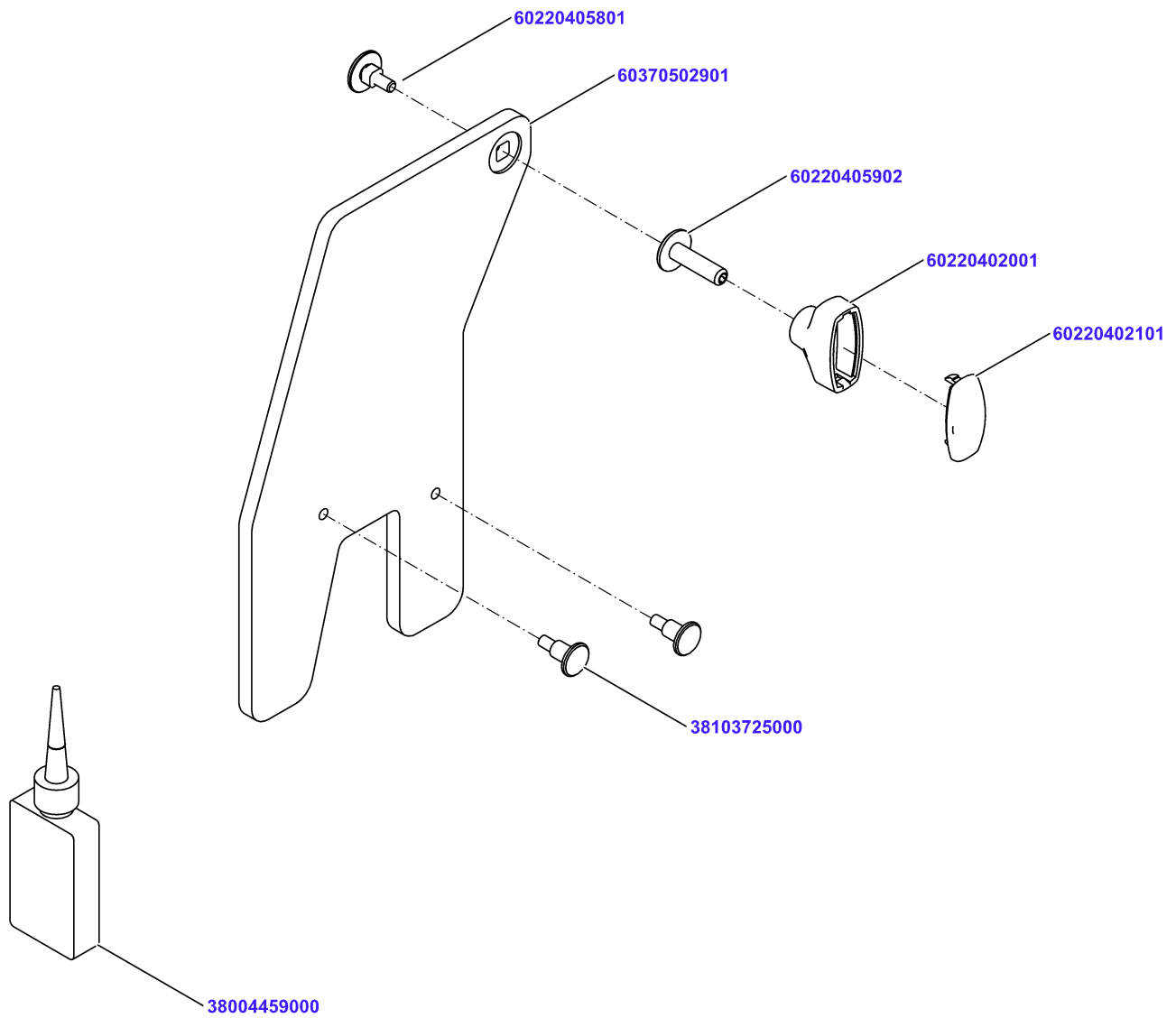
Ruler 70 mm cpl.



Ruler 70 mm cpl.

Material No.	Qty	Material description	available for order	Wear part	Recomm. sp. part	Metr. relevance
60370502301	1	Ruler 70x347				
38011592001	1	Slider				
56047810000	1	Set screw DIN551 M8x16-PA 66				
57451590000	2	Countersunk screw DIN965 M5x40-A2-70				
95972950002	0,002	Loctite 243 50 ml 95972950002				
95972960002	0,002	Loctite 7649 500ml				
56777100000	2	Sealing washer DIN470 10-AI				
60380205800	1	SLIDE PIN				

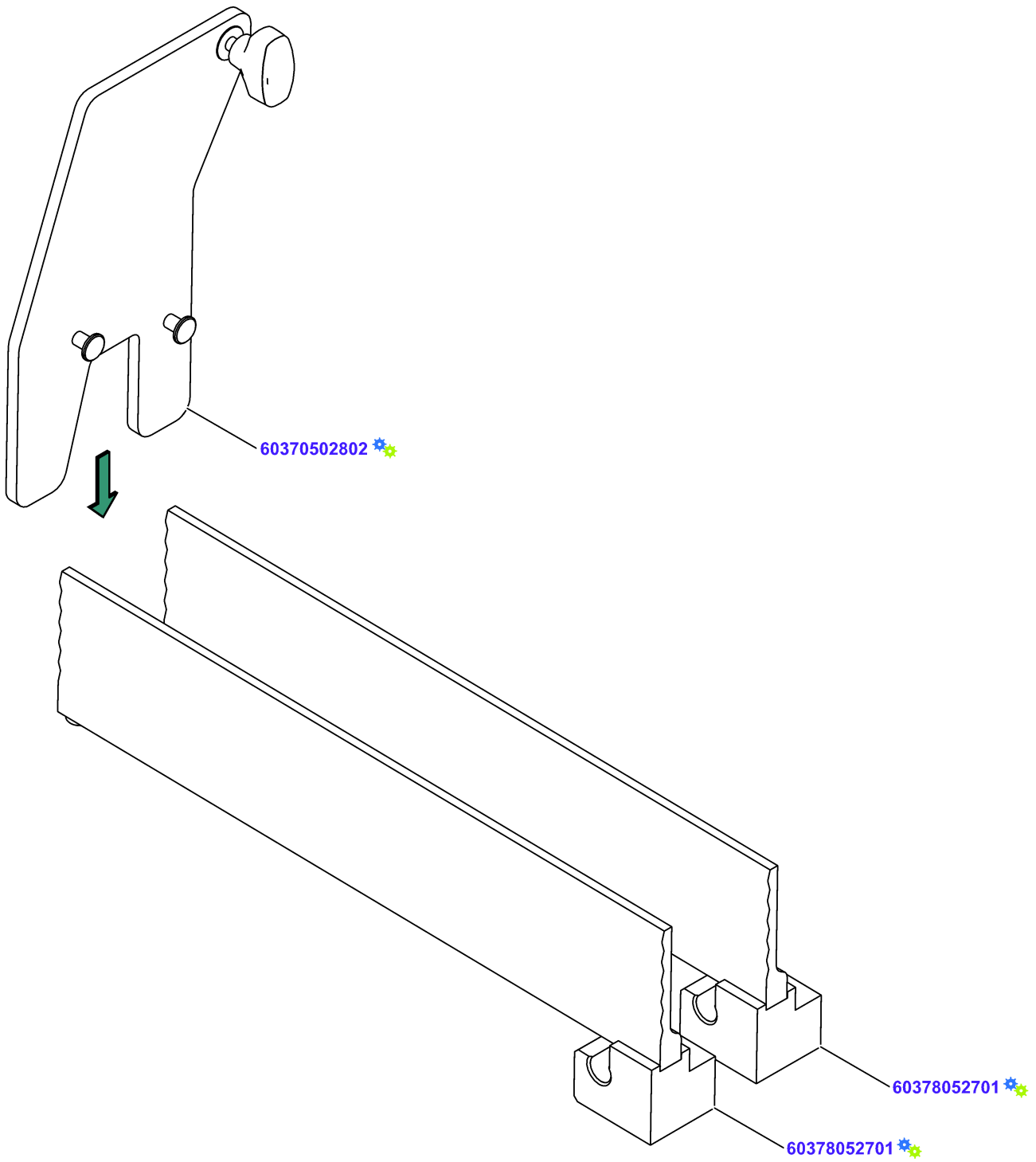
Remnant holder plate tomatoes guidance



Remnant holder plate tomatoes guidance

Material No.	Qty	Material description	available for order	Wear part	Recomm. sp. part	Metr. relevance
60370502901	1	Remnant holder plate 188x132				
38103725000	2	Fixing Pin Diameter 12x16,5				
60220405902	1	Bolt 15xM6x24				
60220405801	1	Pan head screw				
38004459000	0,001	Loctite 648				
60220402101	1	cover				
60220402001	1	CLAMP HANDLE, SMALL				

Tomato loading device C 70mm

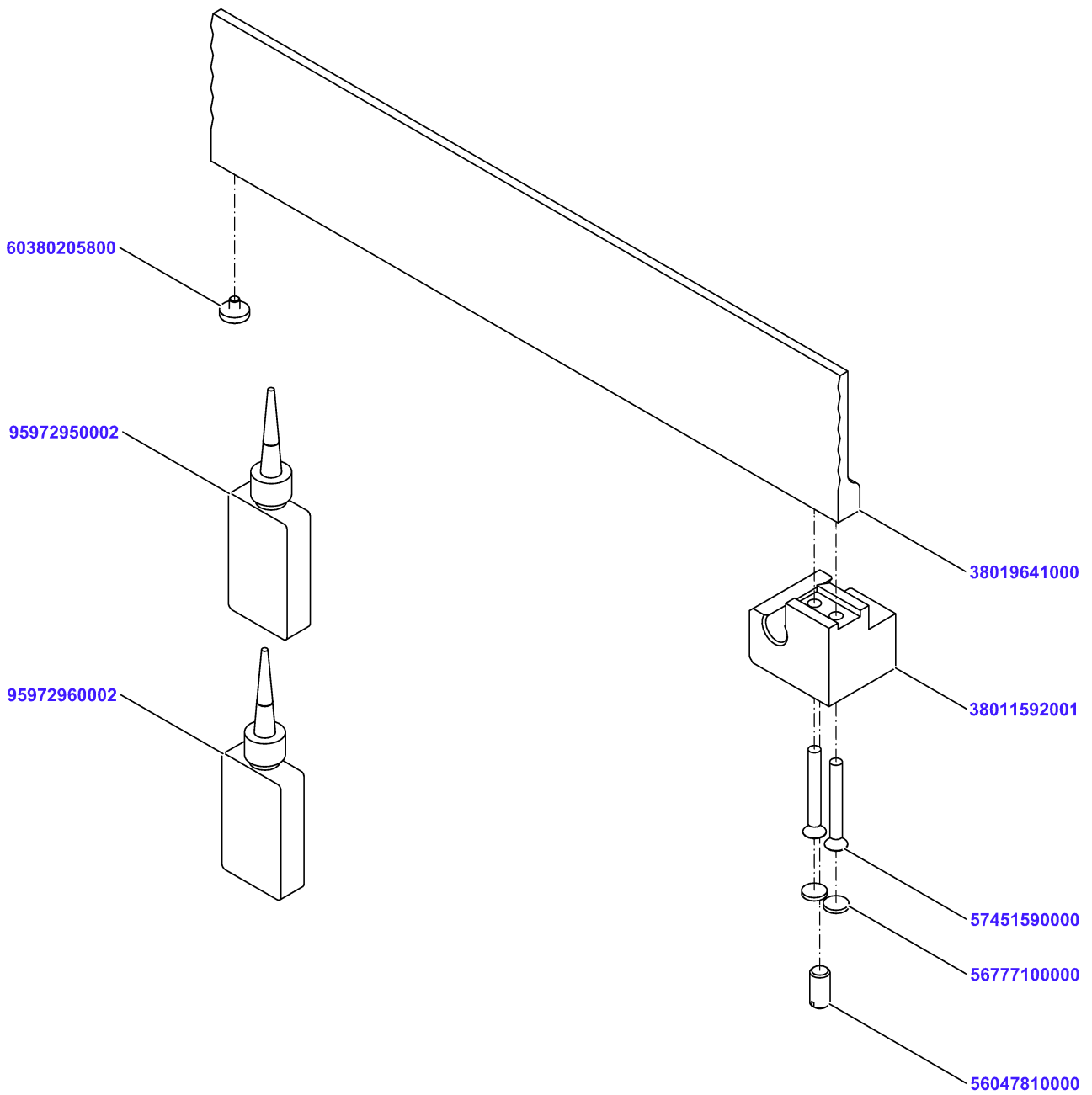


Tomato loading device C 70mm










Material No.	Qty	Material description
60378052701	2	Ruler 70 mm cpl. C
60370502802	1	Remnant holder plate tomatoes guidance

available for order
Wear part
Recomm. sp. part
Metr. relevance

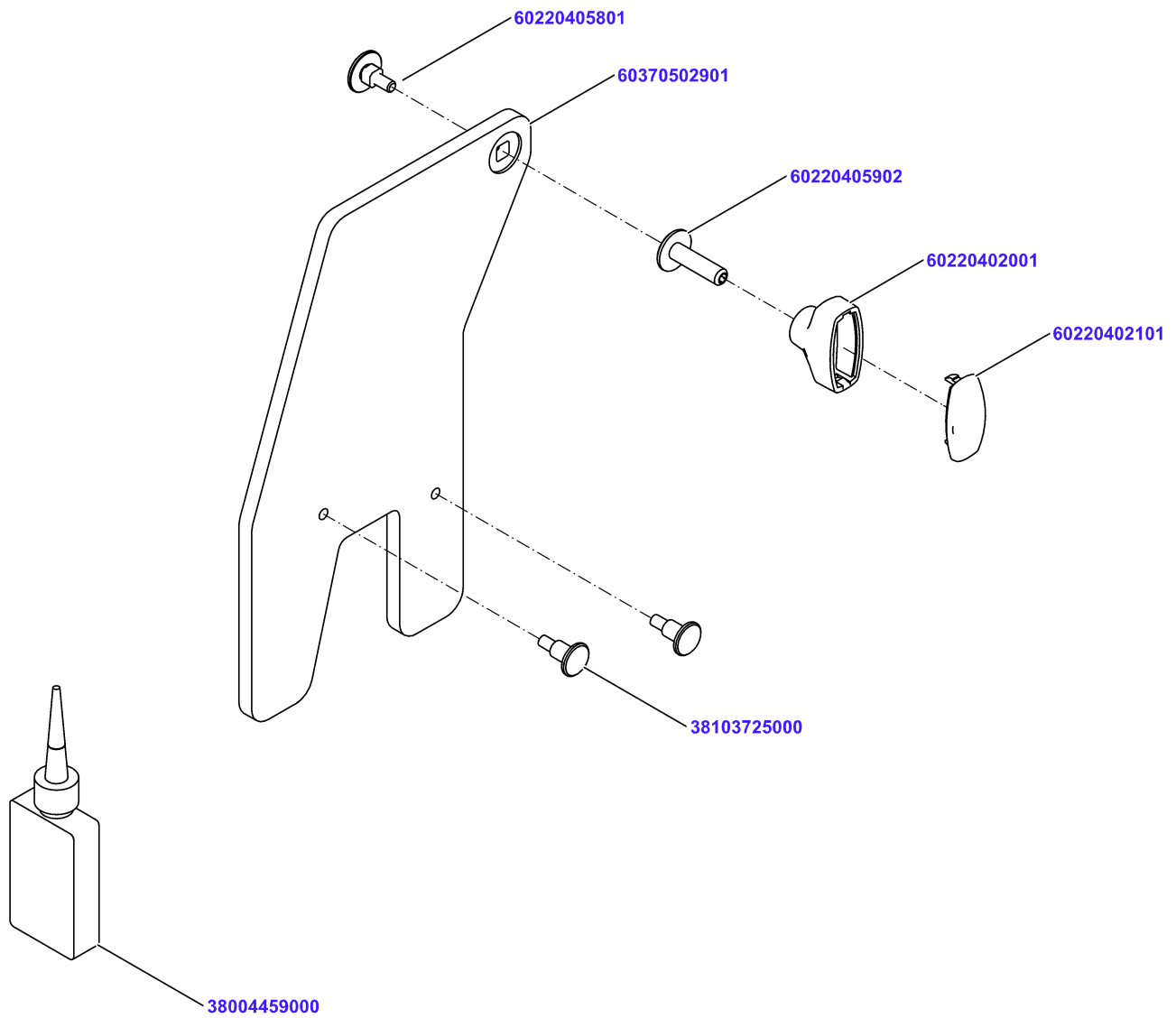
Ruler 70 mm cpl. C










Ruler 70 mm cpl. C

Material No.	Qty	Material description	available for order	Wear part	Recomm. sp. part	Metr. relevance
38019641000	1	Ruler 70mm C				
38011592001	1	Slider				
56047810000	1	Set screw DIN551 M8x16-PA 66				
95972950002	0,001	Loctite 243 50 ml 95972950002				
57451590000	2	Countersunk screw DIN965 M5x40-A2-70				
95972950002	0,002	Loctite 243 50 ml 95972950002				
95972960002	0,002	Loctite 7649 500ml				
56777100000	2	Sealing washer DIN470 10-AI				
60380205800	1	SLIDE PIN				

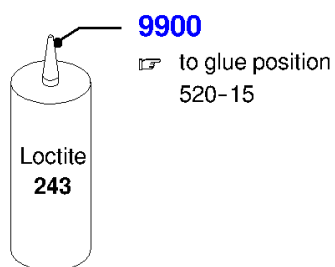
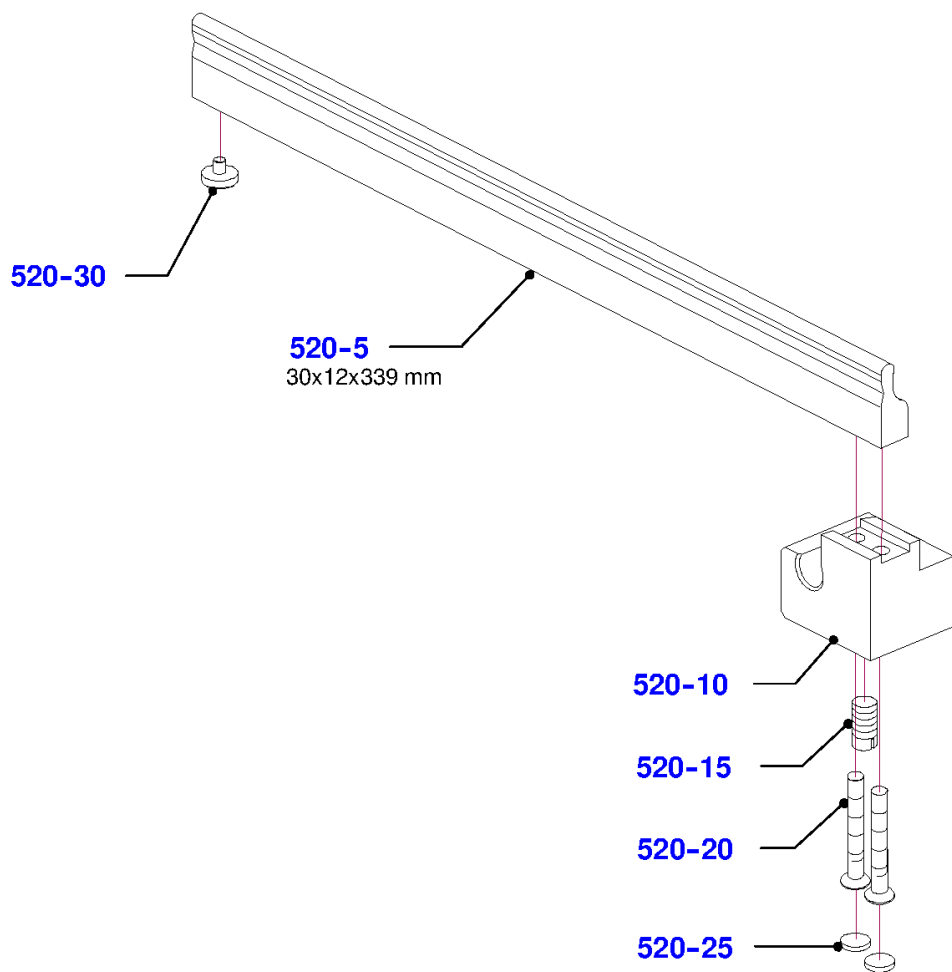
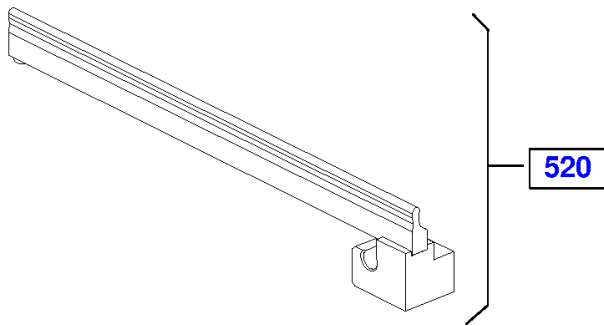
Remnant holder plate tomatoes guidance



Remnant holder plate tomatoes guidance

Material No.	Qty	Material description	available for order	Wear part	Recomm. sp. part	Metr. relevance
60370502901	1	Remnant holder plate 188x132				
38103725000	2	Fixing Pin Diameter 12x16,5				
60220405902	1	Bolt 15xM6x24				
60220405801	1	Pan head screw				
38004459000	0,001	Loctite 648				
60220402101	1	cover				
60220402001	1	CLAMP HANDLE, SMALL				

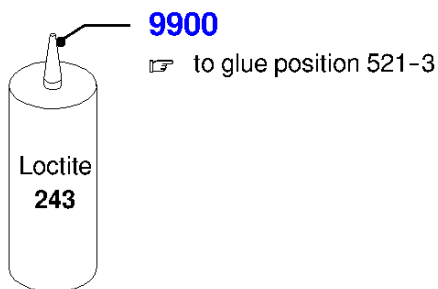
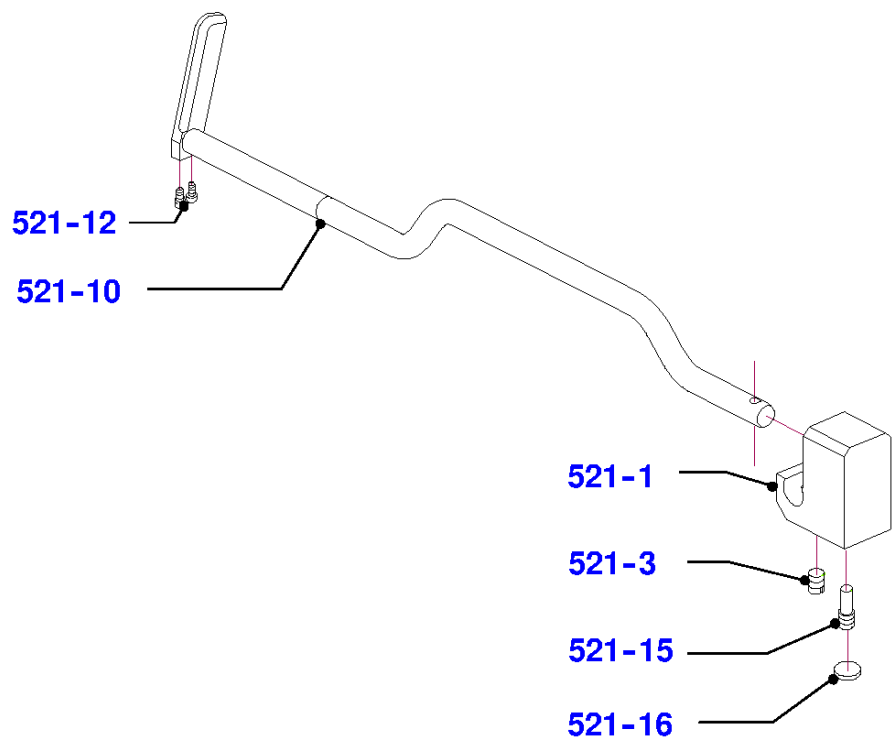
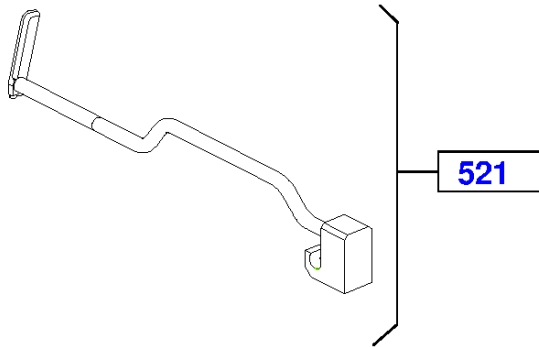
Ruler, compl., short (30x12x339 mm)



Ruler, compl., short (30x12x339 mm)

Item	Material No.	Qty	Material description	available for order	Wear part	Recomm. sp. part	Metr. relevance
520	60381802002	001	RULER CPL. SHORT	✓			
520	60381892002	001	RULER CPL. SHORT C	✓			
520-5	60381802101	001	ruler	✓			
520-5	60381892101	001	Ruler C	✓			
520-10	38011592001	001	Slider	✓			
520-15	56047810000	001	Set screw DIN551 M8x16-PA 66	✓			
520-20	57451590000	002	Countersunk screw DIN965 M5x40-A2-70	✓			
520-25	56777100000	002	Sealing washer DIN470 10-AI	✓			
520-30	60380205800	001	SLIDE PIN	✓			
9900	95972940000	001	LOCTITE 243 10ML	✓			

Product fixation, compl. (346 mm)



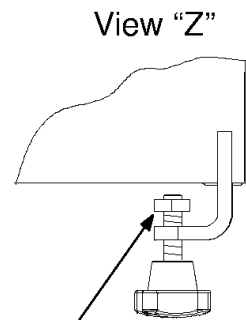
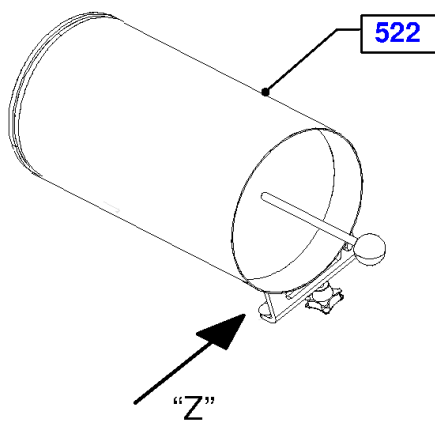
Product fixation, compl. (346 mm)

Item	Material No.	Qty	Material description	available for order	Wear part	Recomm. sp. part	Metr. relevance
521	60381800601	001	PRODUCT FIXATION CPL (346MM)				
521-1	60381801000	001	Slider				
521-3	56047610000	001	Set screw DIN551 M6x8-PA 66				
521-10	60381800701	001	Ruler welded				
521-12	60380402200	002	Slide pin 3,15x6 K				
521-15	56070570000	001	Set screw DIN926 M6x7,5-A2-70				
521-16	56777100000	001	Sealing washer DIN470 10-AI				
9900	95972940000	001	LOCTITE 243 10ML				

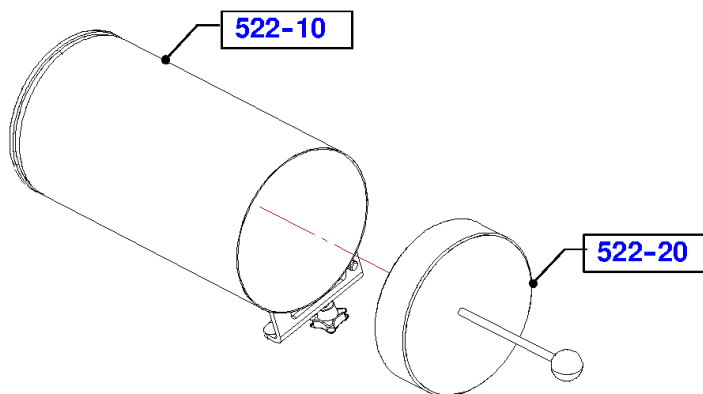
Vegetable chamber 333 and pusher

Vegetable chamber 333 and pusher, compl.




Vegetable chamber 333 and pusher, compl.



Clamping on carriage plate
or guiding bar



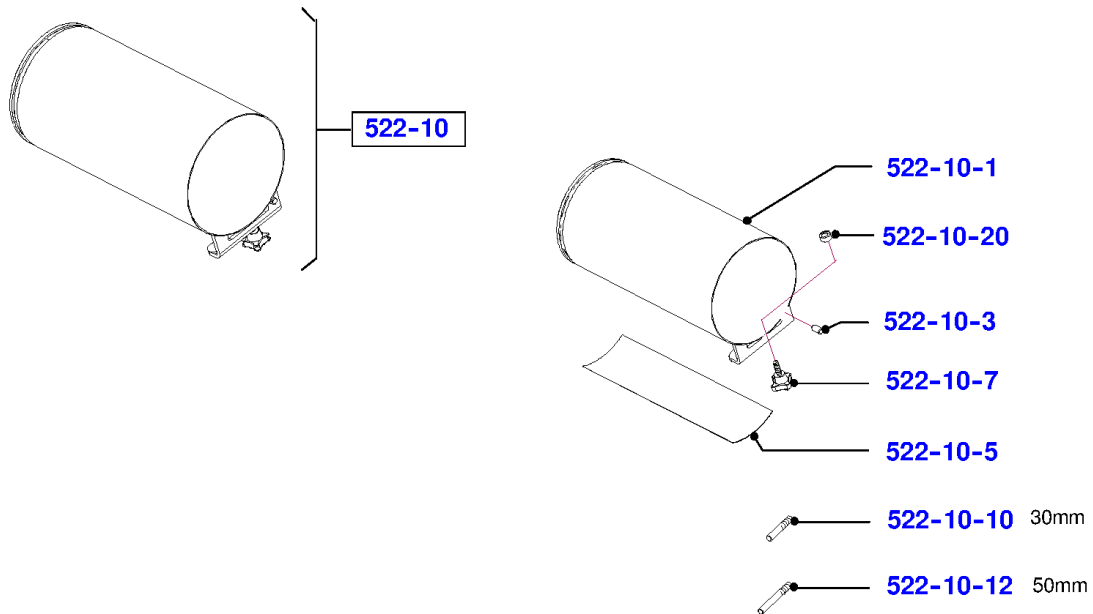
Vegetable chamber 333 and pusher

Item	Material No.	Qty	Material description	available for order	Wear part	Recomm. sp. part	Metr. relevance
522	60374600201	001	Vegetable chute 333 and pusher packed				
522-10	60370501301	001	VEGETABLE CHUTE 333				
522-20	60370501800	001	pusher cpl.				

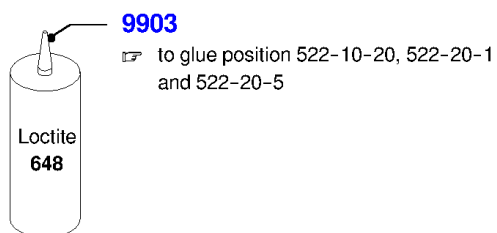
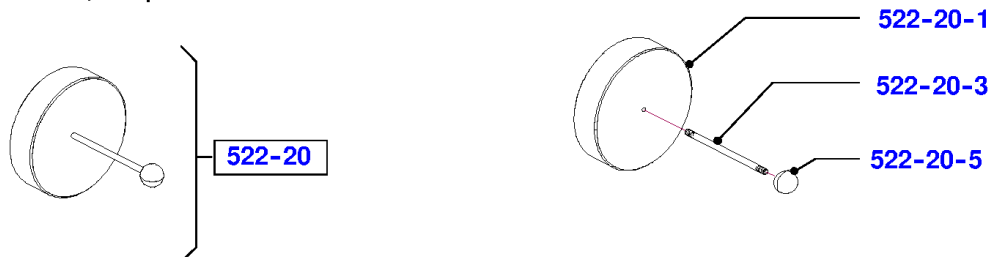
Vegetable chamber 333 and pusher

Vegetable chute 333, preass. Pusher, compl.

Vegetable chute 333, preass.



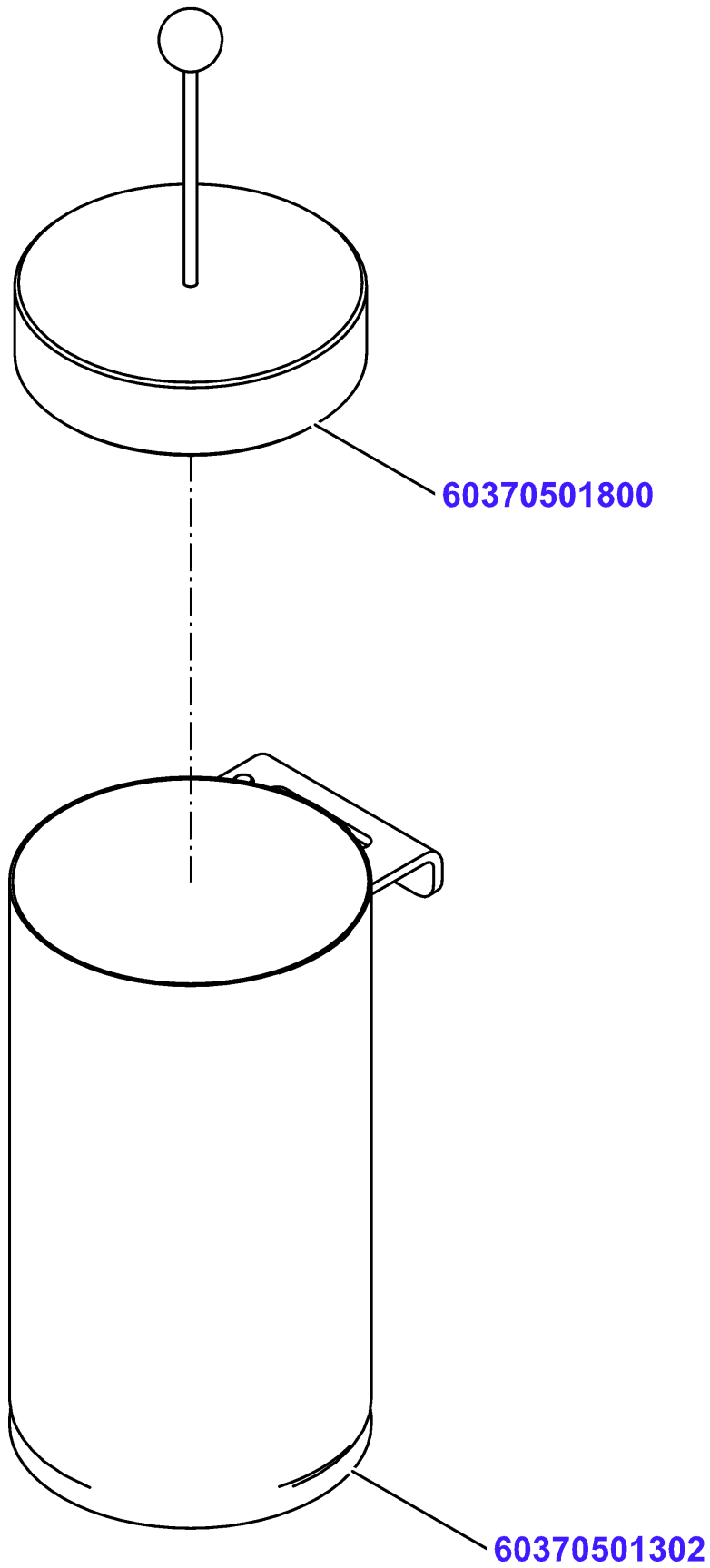
Pusher, compl.



Vegetable chamber 333 and pusher


Item	Material No.	Qty	Material description	available for order	Wear part	Recomm. sp. part	Metr. relevance
522-10	60370501301	001	VEGETABLE CHUTE 333	✓			
522-10-1	60370501400	001	TUBE WELDED	✓			
522-10-3	60370502500	001	pin	✓			
522-10-5	29774530000	001	ADHESIVE TAPE NO.959 GR 80BR.X0.3	✓			
522-10-7	60370502701	001	STAR KNOB COMPLETE	✓			
522-10-10	60381801400	001	THREAD BOLT (30MM)	✓			
522-10-12	60381801600	001	THREAD BOLT (50MM)	✓			
522-10-20	38043956000	001	screwed bush cpl.	✓			
522-20	60370501800	001	pusher cpl.	✓			
522-20-1	60370501900	001	WASHER	✓			
522-20-3	60370502000	001	THREADED ROD	✓			
522-20-5	56086270000	001	Ball knob DIN319 M8x32 I	✓			
9903	95972840000	001	LOCTITE 648 10M	✓			

Vegetable chute 333 and pusher packed

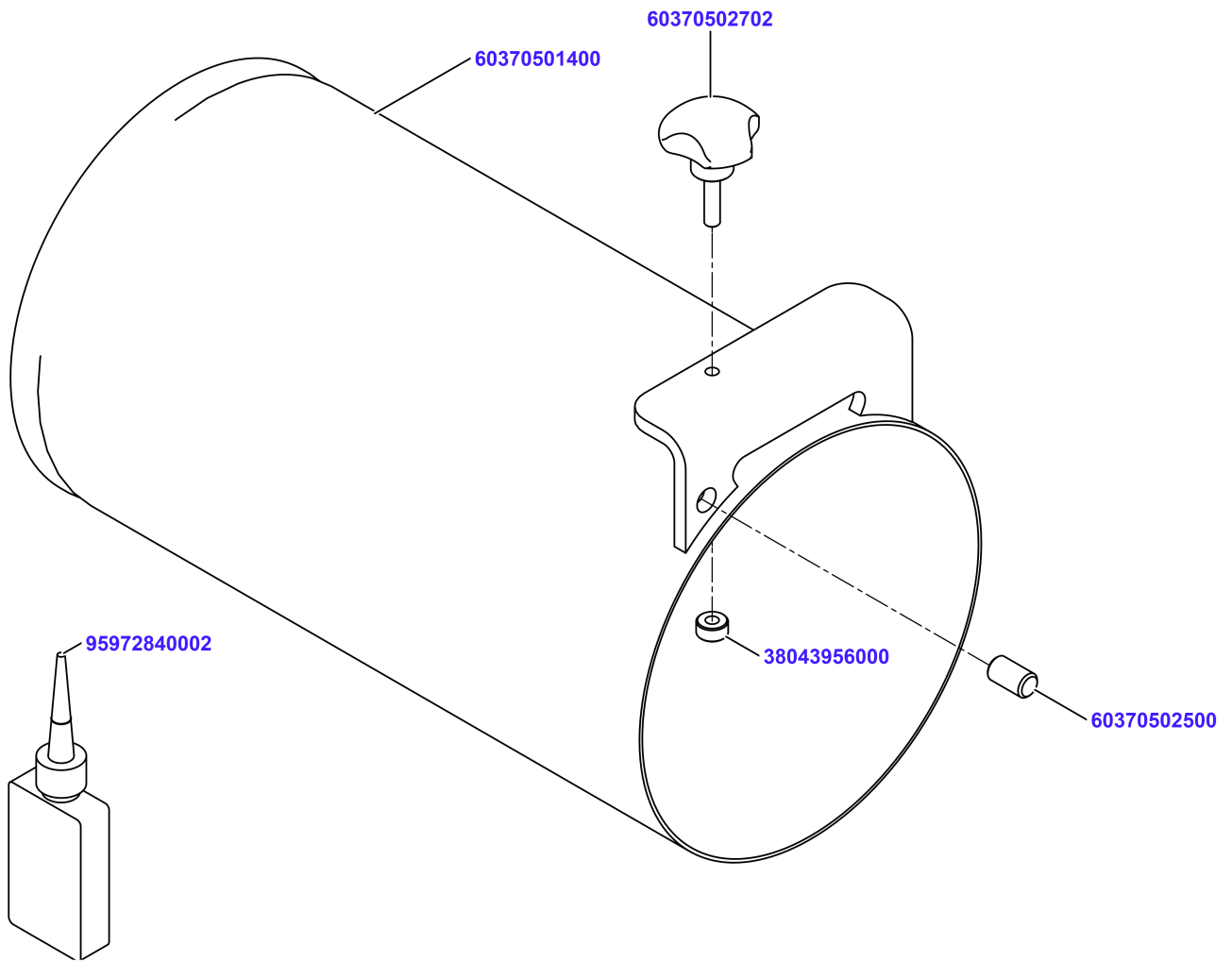


Vegetable chute 333 and pusher packed

Material No.	Qty	Material description
60370501302	1	Vegetable Chute 333 - mounted
60370501800	1	pusher cpl.

available for order	Wear part	Recomm. sp. part	Metr. relevance
			

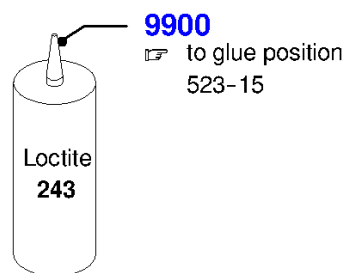
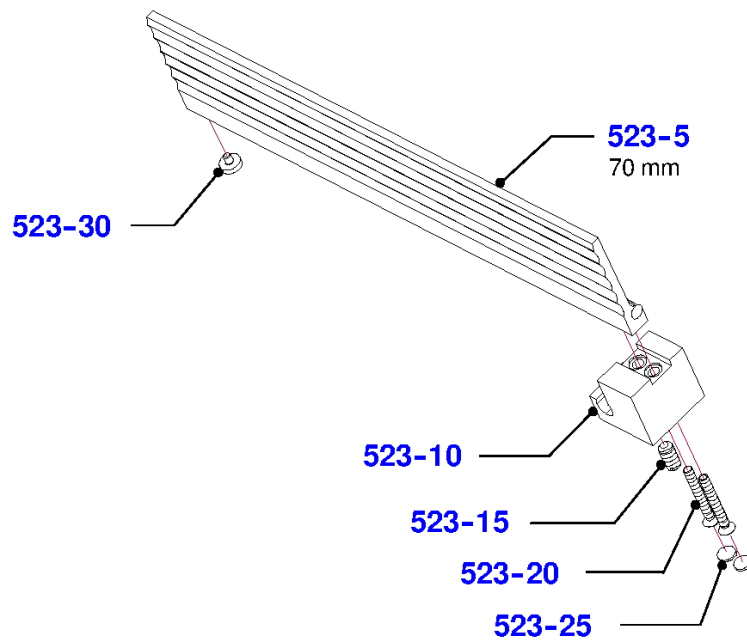
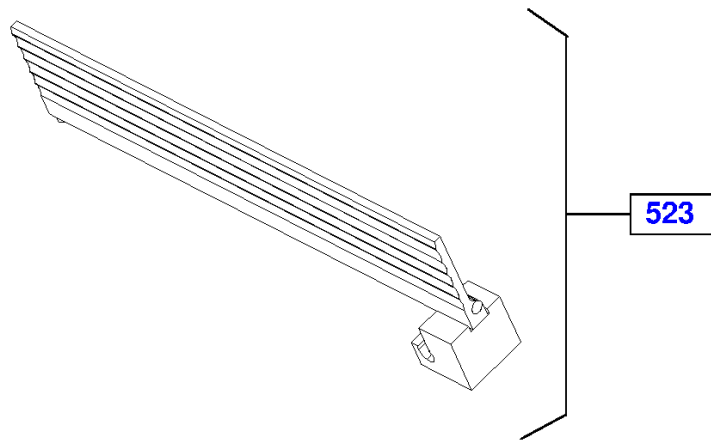
VEGETABLE CHUTE 333



VEGETABLE CHUTE 333

Material No.	Qty	Material description	available for order	Wear part	Recomm. sp. part	Metr. relevance
60370501400	1	TUBE WELDED				
60370502500	1	pin				
60370502702	1	Star Knob complete				
38043956000	1	screwed bush cpl.				
95972840002	0,001	Kleber Loctite 648 10ml. 95972840002_I				

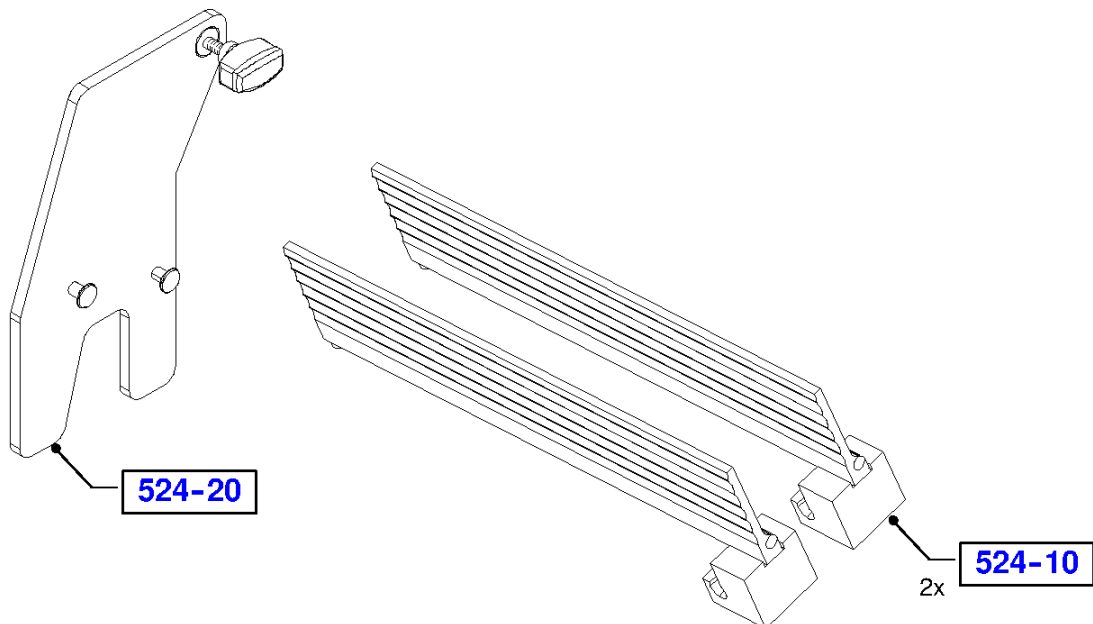
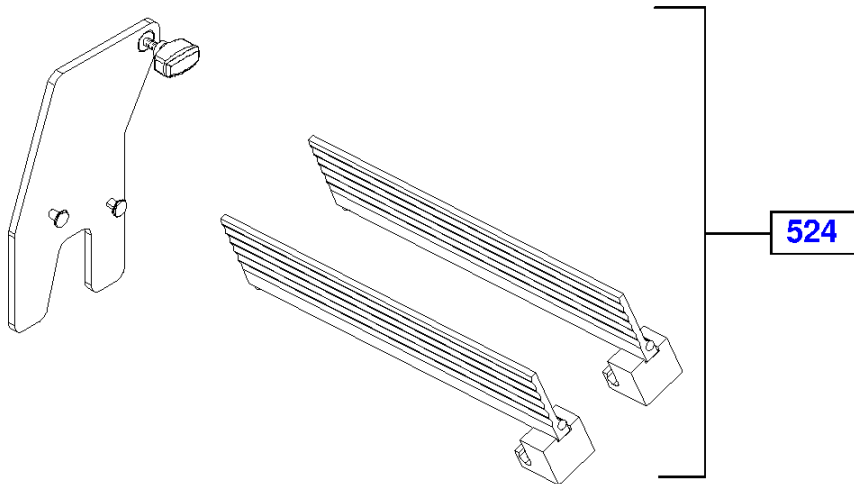
Ruler 70 mm compl.








Ruler 70 mm compl.

Item	Material No.	Qty	Material description	available for order	Wear part	Recomm. sp. part	Metr. relevance
523	60378052600	001	RULER 70MM CPL	✓			
523	60378052700	001	RULER 70MM CPL C	✓			
523-5	60370502300	001	RULER 70MM	✓			
523-5	38019641000	001	Ruler 70mm C	✓			
523-10	38011592001	001	Slider	✓			
523-15	56047810000	001	Set screw DIN551 M8x16-PA 66	✓			
523-20	57451590000	002	Countersunk screw DIN965 M5x40-A2-70	✓			
523-25	56777100000	002	Sealing washer DIN470 10-AI	✓			
523-30	60380205800	001	SLIDE PIN	✓			
9900	95972940000	001	LOCTITE 243 10ML	✓			

Tomato loading device



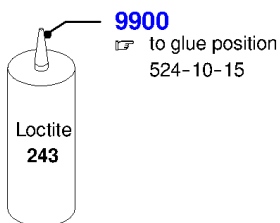
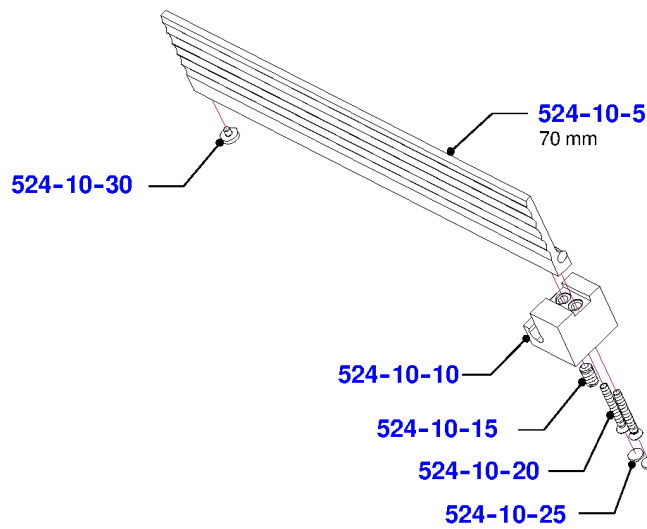
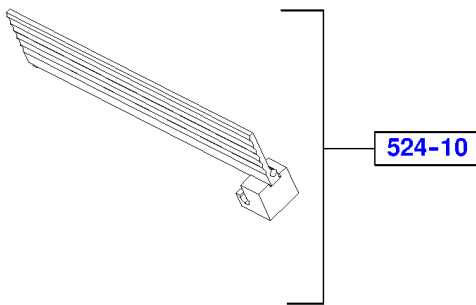
Tomato loading device

Item	Material No.	Qty	Material description	available for order	Wear part	Recomm. sp. part	Metr. relevance
524	60378052800	001	Tomato loading device elox 70mm				
524	60378052900	001	Tomato loading device C 70mm				
524-10	60378052600	002	RULER 70MM CPL				
524-10	60378052700	002	RULER 70MM CPL C				
524-20	60370502801	001	TOMATOES FEED				

Tomato loading device

Ruler 70 mm compl.

Ruler 70 mm compl.



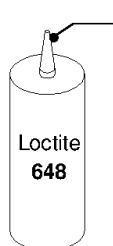
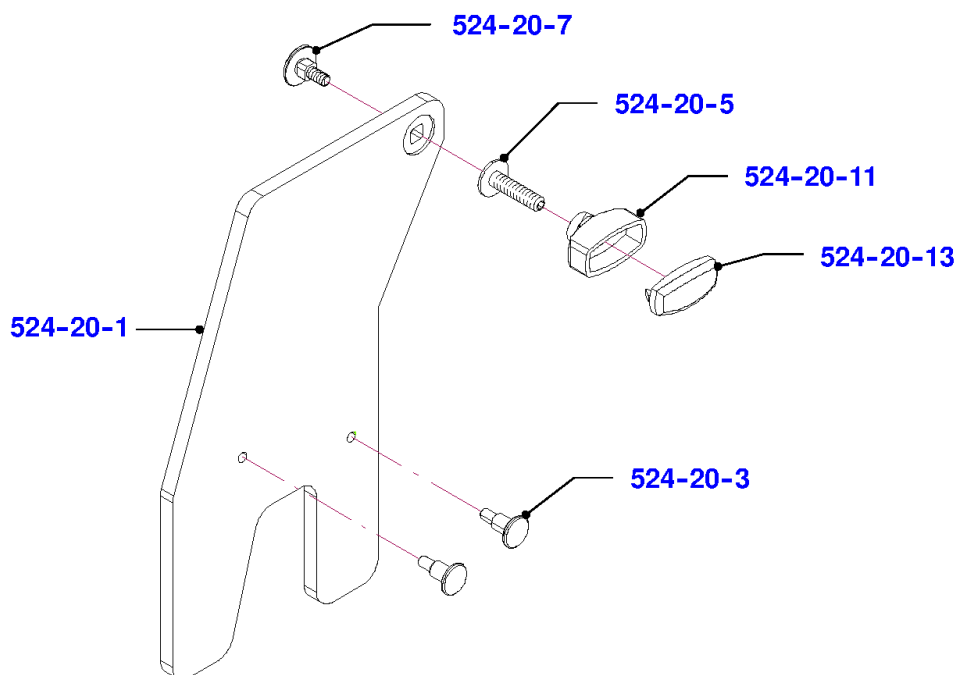
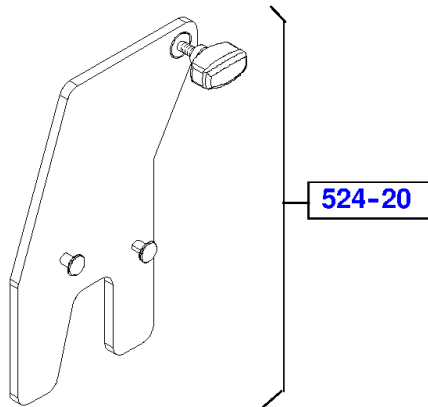
Tomato loading device

Item	Material No.	Qty	Material description	available for order	Wear part	Recomm. sp. part	Metr. relevance
524-10	60378052600	002	RULER 70MM CPL	✓			
524-10	60378052700	002	RULER 70MM CPL C	✓			
524-10-5	60370502300	001	RULER 70MM	✓			
524-10-5	38019641000	001	Ruler 70mm C	✓			
524-10-10	38011592001	001	Slider	✓			
524-10-15	56047810000	001	Set screw DIN551 M8x16-PA 66	✓			
524-10-20	57451590000	002	Countersunk screw DIN965 M5x40-A2-70	✓			
524-10-25	56777100000	002	Sealing washer DIN470 10-AI	✓			
524-10-30	60380205800	001	SLIDE PIN	✓			
9900	95972940000	001	LOCTITE 243 10ML	✓			

Tomato loading device

Tomatoes feed, compl.

Tomatoes feed, compl.

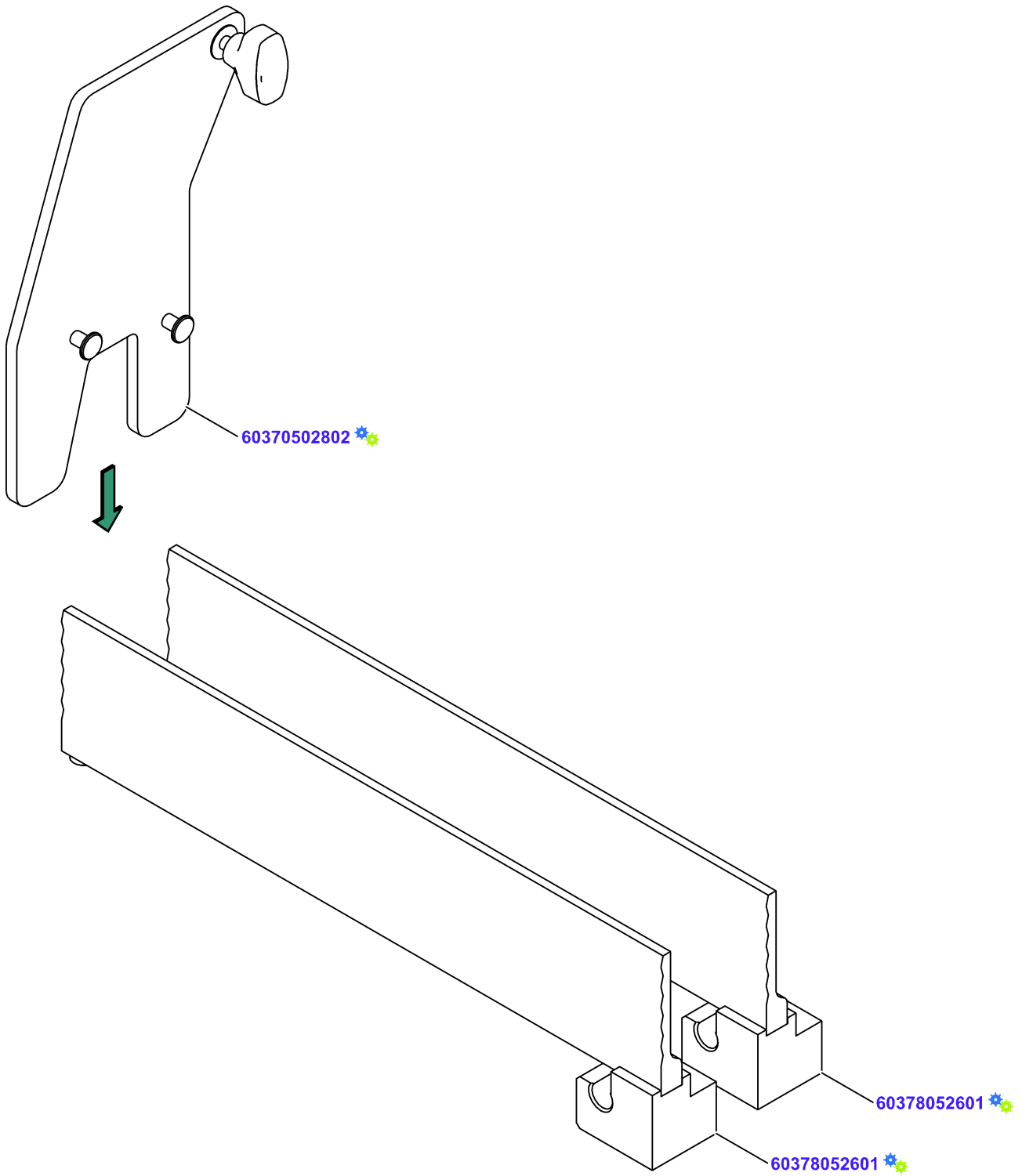


9903
to glue position
524-20-7

Tomato loading device

Item	Material No.	Qty	Material description	available for order	Wear part	Recomm. sp. part	Metr. relevance
524-20	60370502801	001	TOMATOES FEED				
524-20-1	60370502900	001	REMNANT HOLDER PLATE				
524-20-3	60370503000	002	FIXING PIN				
524-20-5	60220405902	001	Bolt 15xM6x24				
524-20-7	60220405801	001	Pan head screw				
524-20-11	60220402001	001	CLAMP HANDLE, SMALL				
524-20-13	60220402101	001	cover				
9903	95972840000	001	LOCTITE 648 10M				

Tomato loading device elox 70mm

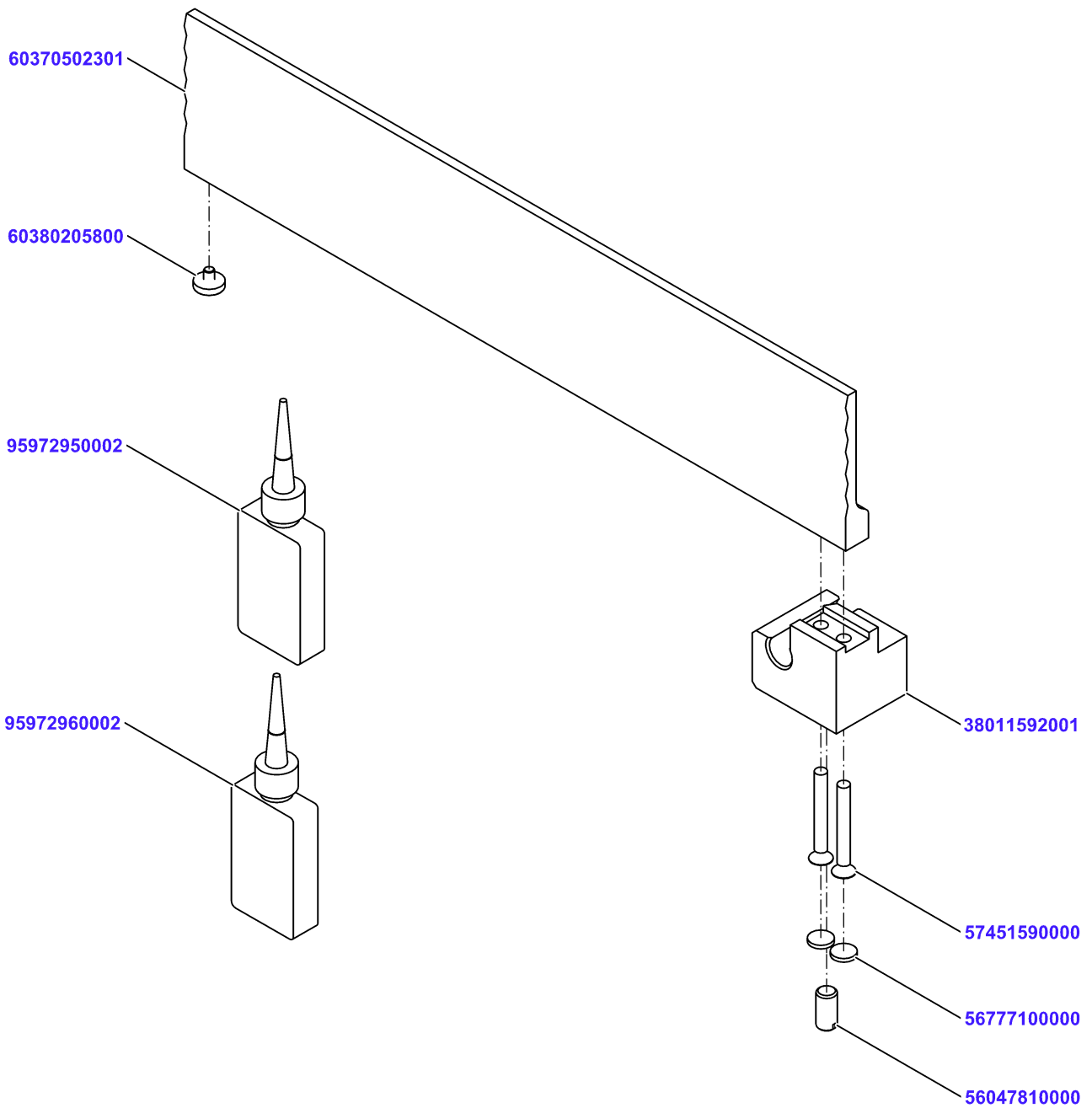


Tomato loading device elox 70mm









Material No.	Qty	Material description
60378052601	2	Ruler 70 mm cpl.
60370502802	1	Remnant holder plate tomatoes guidance

available for order
Wear part
Recomm. sp. part
Metr. relevance

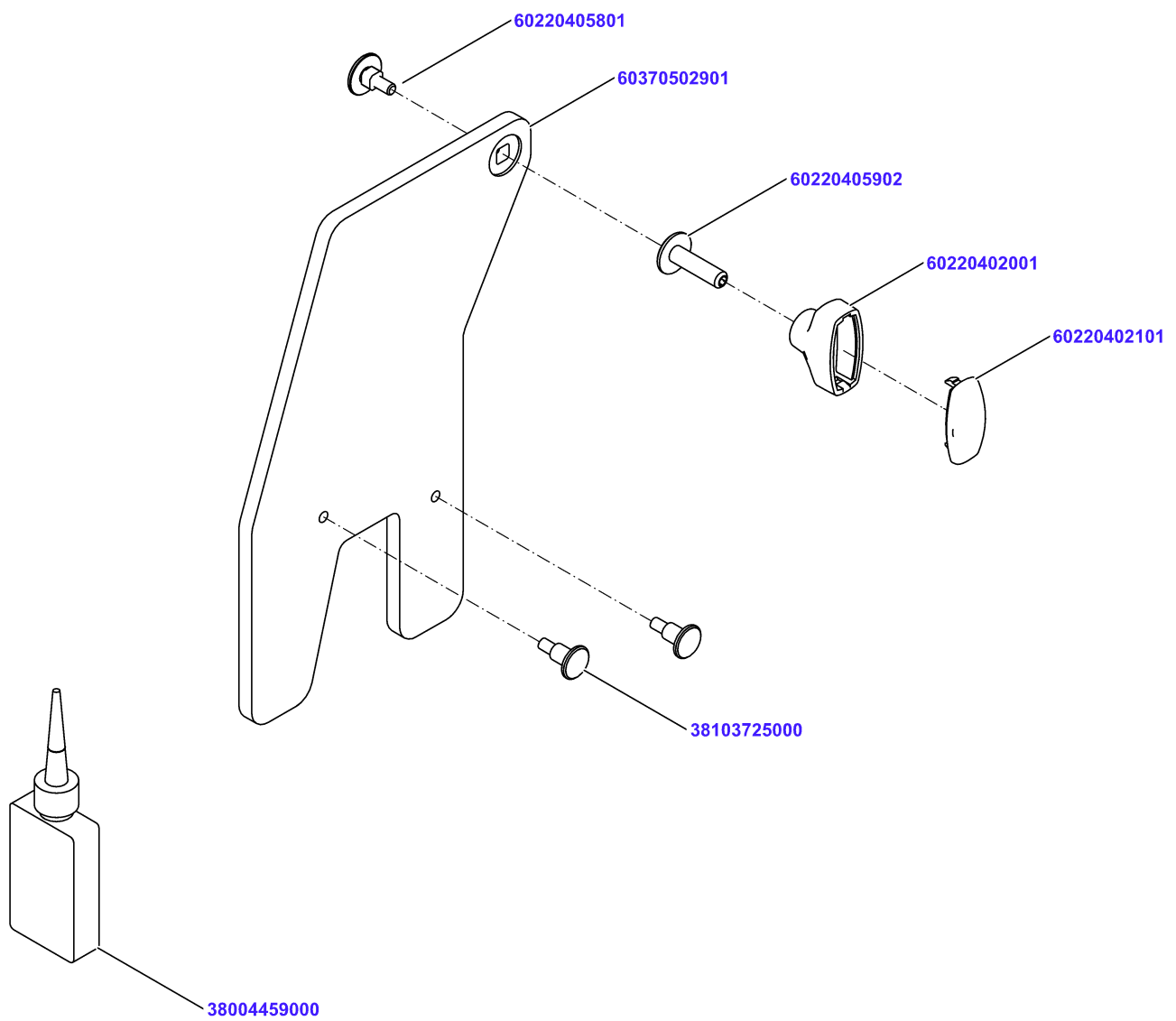
Ruler 70 mm cpl.










Ruler 70 mm cpl.

Material No.	Qty	Material description	available for order	Wear part	Recomm. sp. part	Metr. relevance
60370502301	1	Ruler 70x347				
38011592001	1	Slider				
56047810000	1	Set screw DIN551 M8x16-PA 66				
57451590000	2	Countersunk screw DIN965 M5x40-A2-70				
95972950002	0,002	Loctite 243 50 ml 95972950002				
95972960002	0,002	Loctite 7649 500ml				
56777100000	2	Sealing washer DIN470 10-AI				
60380205800	1	SLIDE PIN				

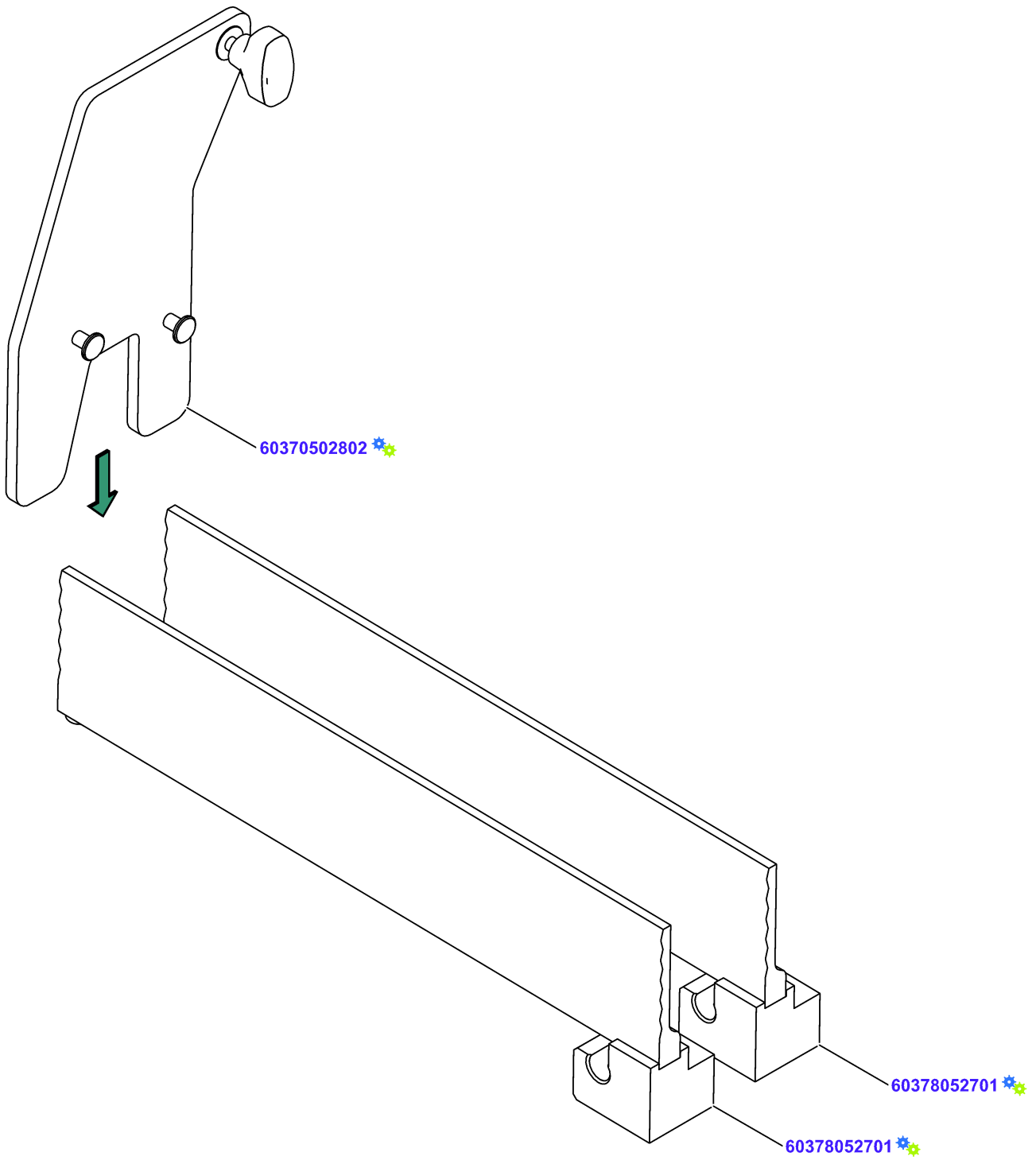
Remnant holder plate tomatoes guidance



Remnant holder plate tomatoes guidance

Material No.	Qty	Material description	available for order	Wear part	Recomm. sp. part	Metr. relevance
60370502901	1	Remnant holder plate 188x132				
38103725000	2	Fixing Pin Diameter 12x16,5				
60220405902	1	Bolt 15xM6x24				
60220405801	1	Pan head screw				
38004459000	0,001	Loctite 648				
60220402101	1	cover				
60220402001	1	CLAMP HANDLE, SMALL				

Tomato loading device C 70mm



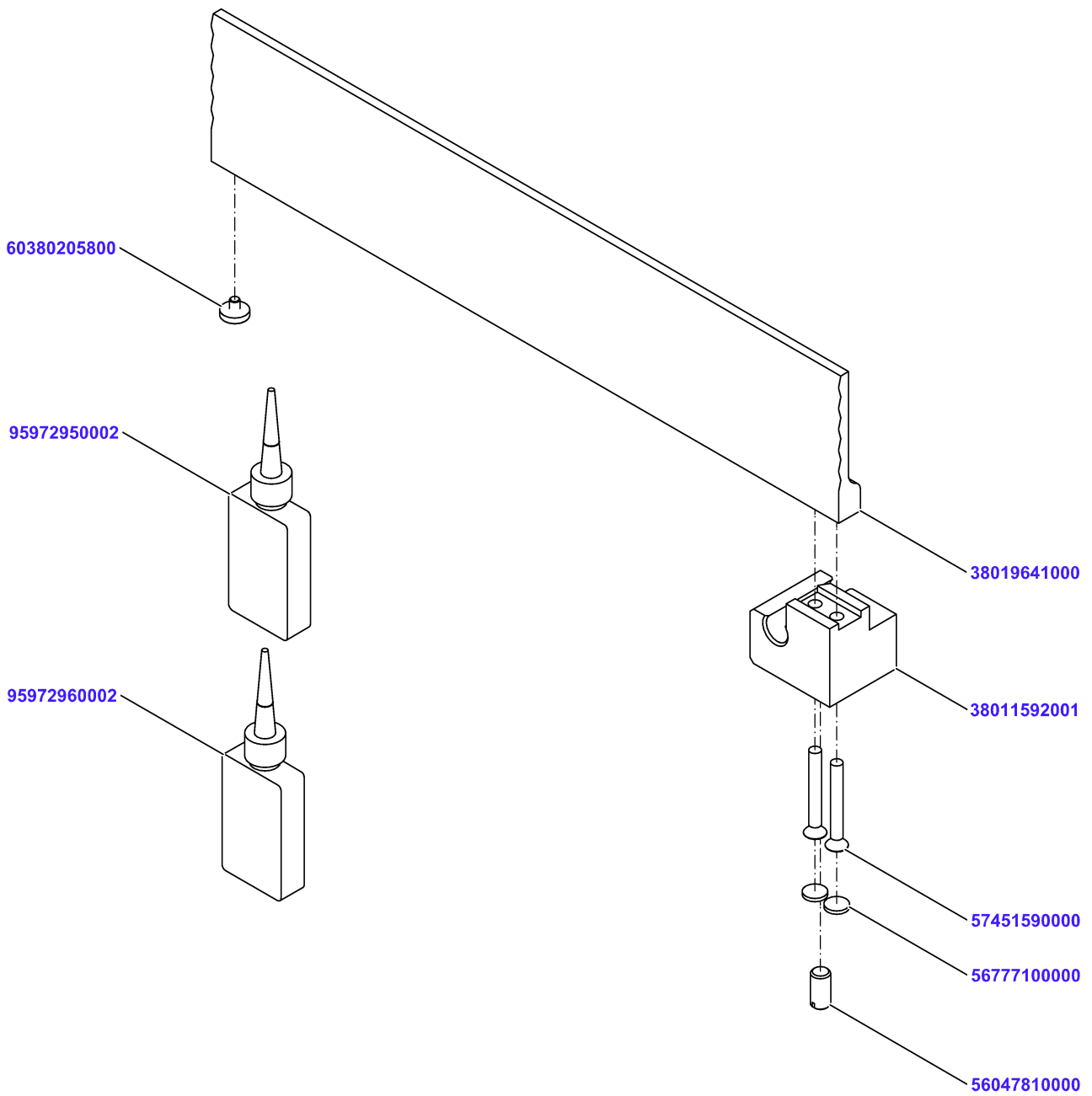
Tomato loading device C 70mm

Material No.	Qty	Material description
60378052701	2	Ruler 70 mm cpl. C
60370502802	1	Remnant holder plate tomatoes guidance










available for order
Wear part
Recomm. sp. part
Metr. relevance



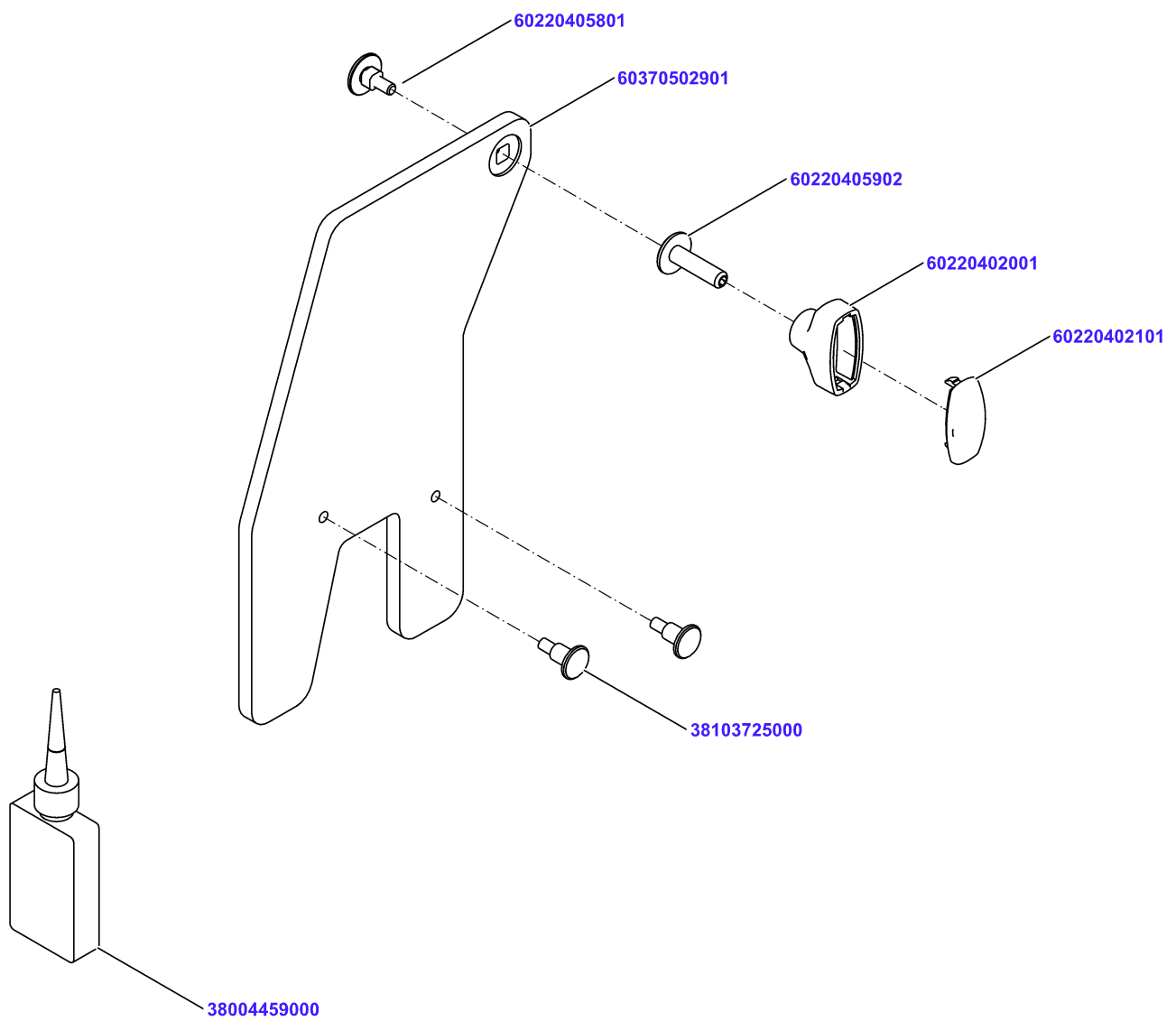
Ruler 70 mm cpl. C










Ruler 70 mm cpl. C

Material No.	Qty	Material description	available for order	Wear part	Recomm. sp. part	Metr. relevance
38019641000	1	Ruler 70mm C				
38011592001	1	Slider				
56047810000	1	Set screw DIN551 M8x16-PA 66				
95972950002	0,001	Loctite 243 50 ml 95972950002				
57451590000	2	Countersunk screw DIN965 M5x40-A2-70				
95972950002	0,002	Loctite 243 50 ml 95972950002				
95972960002	0,002	Loctite 7649 500ml				
56777100000	2	Sealing washer DIN470 10-AI				
60380205800	1	SLIDE PIN				

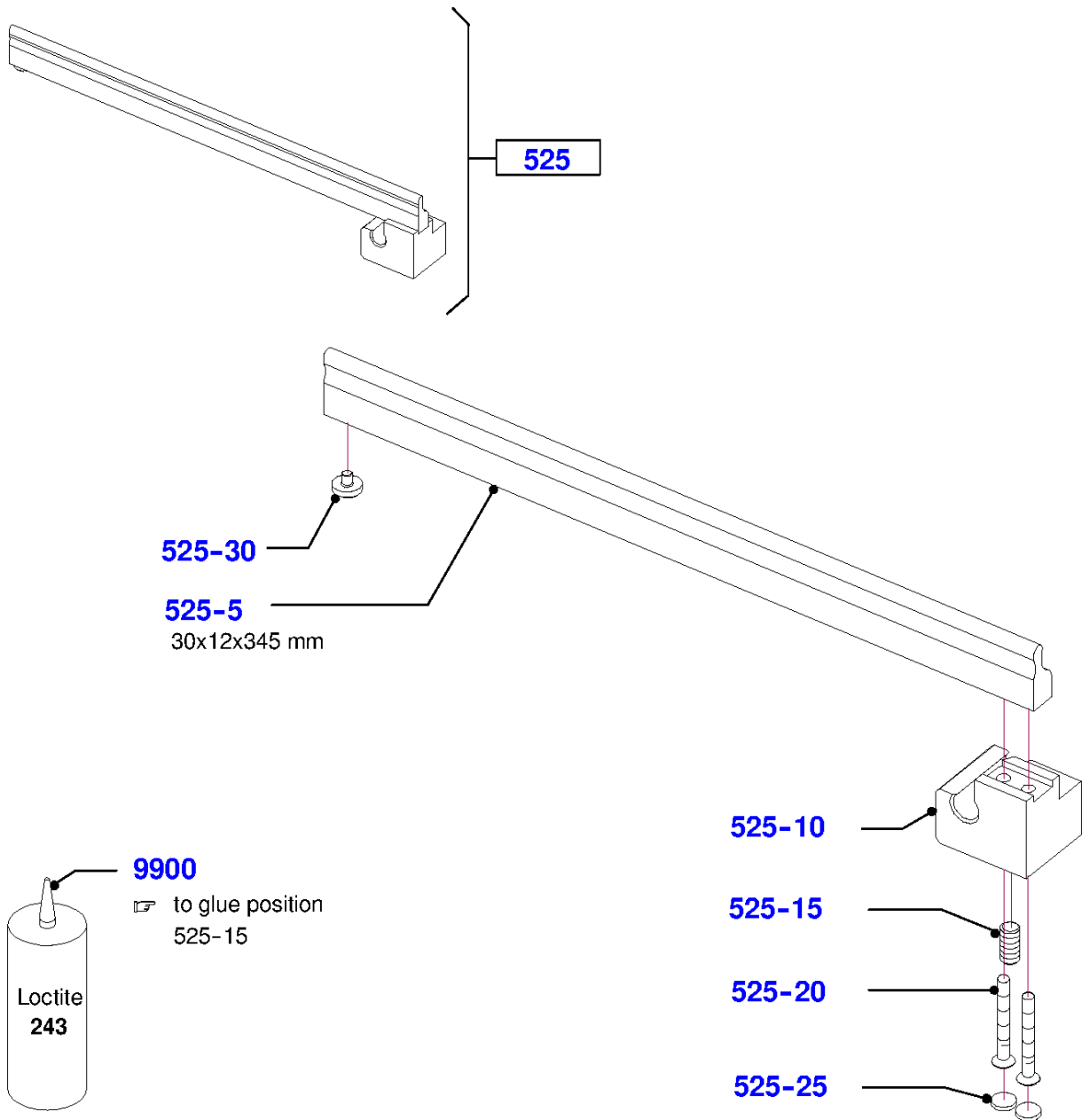
Remnant holder plate tomatoes guidance



Remnant holder plate tomatoes guidance

Material No.	Qty	Material description	available for order	Wear part	Recomm. sp. part	Metr. relevance
60370502901	1	Remnant holder plate 188x132				
38103725000	2	Fixing Pin Diameter 12x16,5				
60220405902	1	Bolt 15xM6x24				
60220405801	1	Pan head screw				
38004459000	0,001	Loctite 648				
60220402101	1	cover				
60220402001	1	CLAMP HANDLE, SMALL				

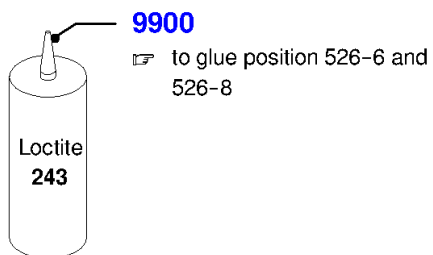
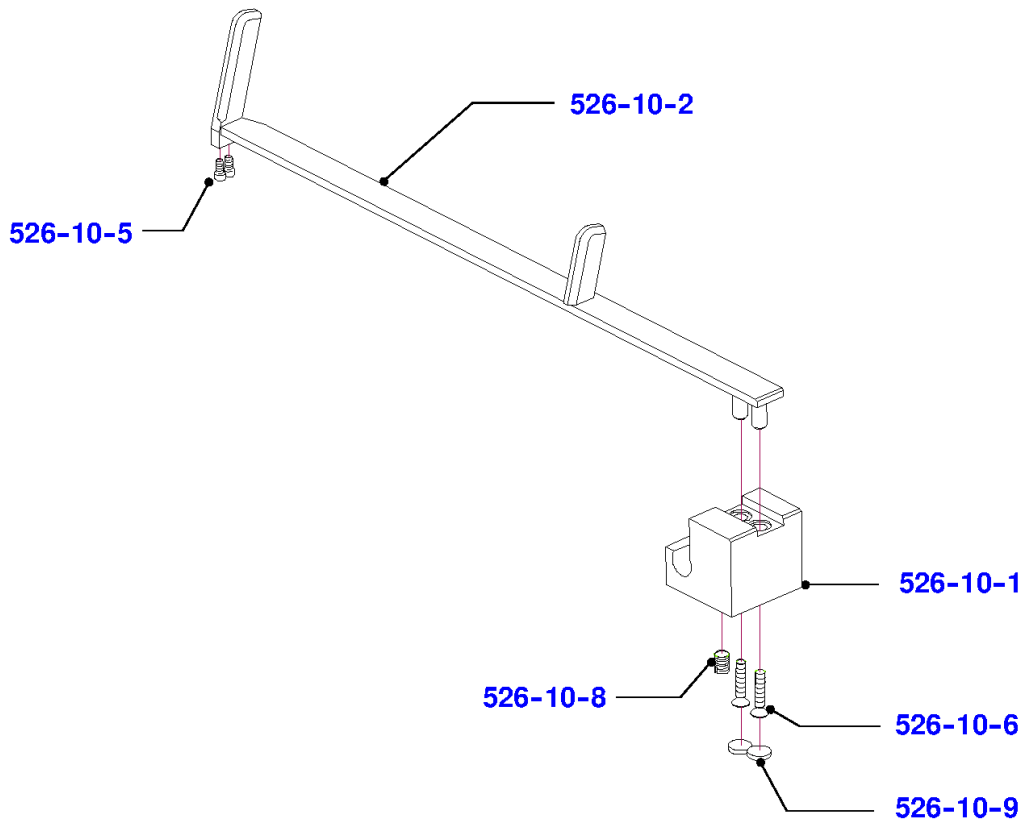
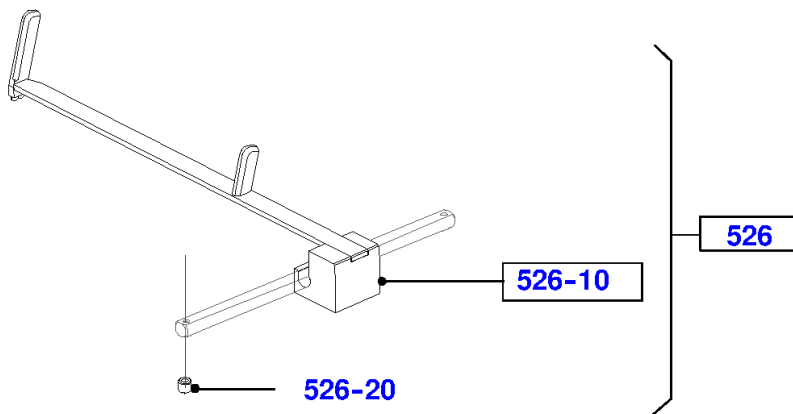
Ruler, compl., long (30x12x345 mm) for 25L / 25H



Ruler, compl., long (30x12x345 mm) for 25L / 25H

Item	Material No.	Qty	Material description	available for order	Wear part	Recomm. sp. part	Metr. relevance
525	38011665000	001	RULER CPL LONG (30x12x345MM) (FOR 25L / 25H)	✓			
525	60378052500	001	60378052500 001 RULER CPL LONG C (30x12x345MM) (FOR 25L / 25H)	✓			
525-5	38011664000	001	ruler	✓			
525-5	38019609000	001	Ruler C	✓			
525-10	38011592001	001	Slider	✓			
525-15	56047810000	001	Set screw DIN551 M8x16-PA 66	✓			
525-20	57451590000	002	Countersunk screw DIN965 M5x40-A2-70	✓			
525-25	56777100000	002	Sealing washer DIN470 10-AI	✓			
525-30	60380205800	001	SLIDE PIN	✓			
9900	95972940000	001	LOCTITE 243 10ML	✓			

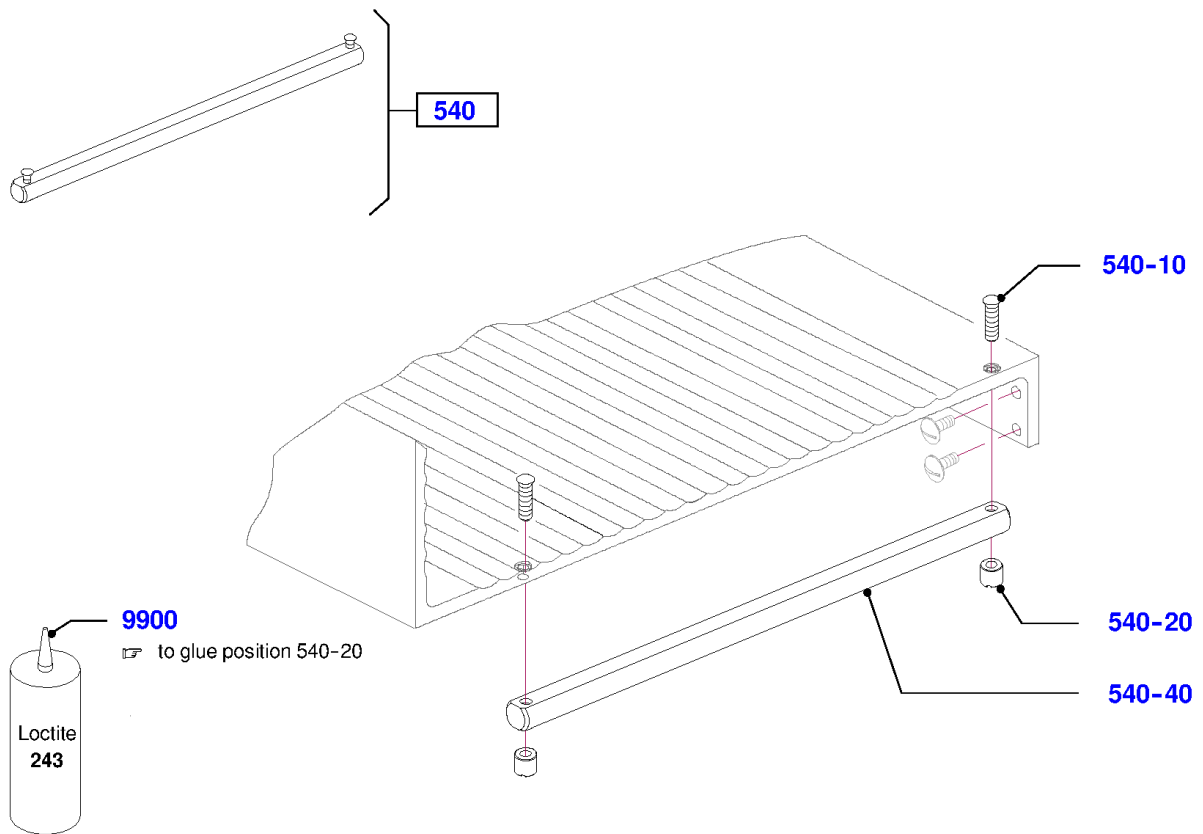
Product fixation (Clamping carriage)








Product fixation (Clamping carriage)

Item	Material No.	Qty	Material description	available for order	Wear part	Recomm. sp. part	Metr. relevance
526	60388053100	001	PRODUCT FIXATION (FOR CLAMPING CARRIAGE)	✓			
526-10	60380402001	001	PRODUCT FIXATION DEVICE ASSEMBLED	✓			
526-10-1	60380402101	001	Slider	✓			
526-10-2	60380402301	001	Product Fixation Device	✓			
526-10-5	60380402200	002	Slide pin 3,15x6 K	✓			
526-10-6	56836380000	002	COUNTER SUNK SCREW DIN 966- M4X20- A2- 70	✓			
526-10-8	56047610000	001	Set screw DIN551 M6x8-PA 66	✓			
526-10-9	56777100000	002	Sealing washer DIN470 10-AI	✓			
526-20	60274600500	001	Round nut	✓			
9900	95972940000	001	LOCTITE 243 10ML	✓			

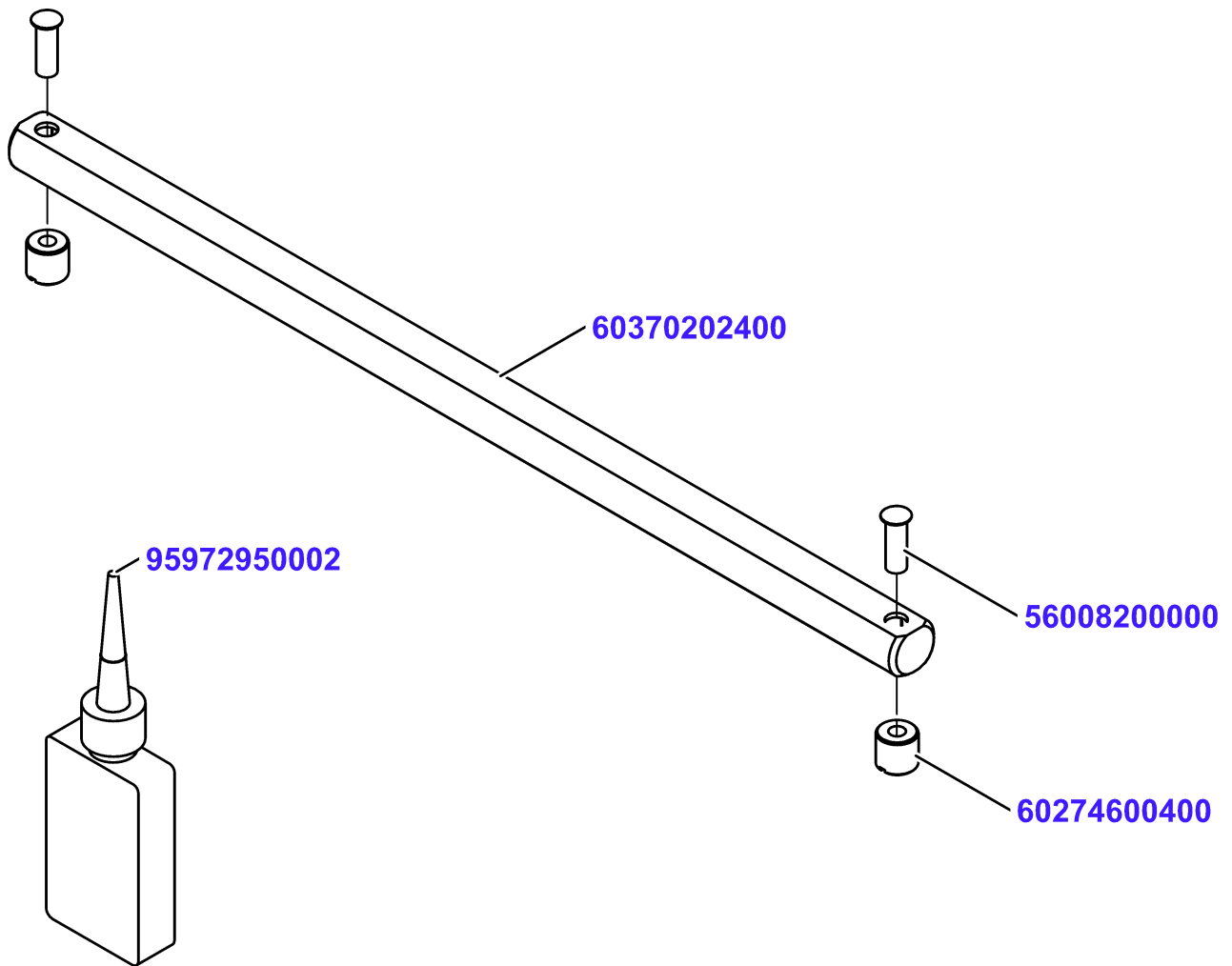
Fastening kit for product fixation



Fastening kit for product fixation

Item	Material No.	Qty	Material description	available for order	Wear part	Recomm. sp. part	Metr. relevance
540	60378054100	001	Fastening kit product fixation device				
540-10	56008200000	002	Self Clinching Stud FHS-M4-12-A2-70				
540-20	60274600400	002	Round Nut				
540-40	60370202400	001	Guide shaft 12x235				
9900	95972940000	001	LOCTITE 243 10ML				

Fastening kit product fixation device



Fastening kit product fixation device

Material No.	Qty	Material description	available for order	Wear part	Recomm. sp. part	Metr. relevance
56008200000	2	Self Clinching Stud FHS-M4-12-A2-70	✓			
60274600400	2	Round Nut	✓			
95972950002	0,001	Loctite 243 50 ml 95972950002	✓			
60370202400	1	Guide shaft 12x235	✓			

Country set - plates and deco foil

WARNING!
Do not touch
moving carriage.
DANGER TO INJURIES!

800-10



800-15

Use and maintenance
only in conformity with
operating instructions

800-20



800-30

ATTENTION
NE JAMAIS NETTOYER LE COUPEAU
SANS QUE LE SÉLECTEUR D'ÉPAISSEUR
DE TRANCHES SOIT À "0"

ATTENTION
IL EST OBLIGATOIRE DE RABATTRE
LE POUSSE-TALON SUR LE PRODUIT
AVANT SON TRANCHAGE.

800-40

CHOISIR LA POSITION
DE L'AFFÛTEUR
MACHINE À L'ARRÊT

800-45



800-50



800-145

SHARPEN AND LUBE DAILY

1. clean and dry blade
2. set sharpener to 1 for 30 seconds
3. then position 2 for 3 seconds

damage free subject not covered under warranty

800-60

AIGUSAGE ET LUBRIFICATION
JOURNALIÈRE

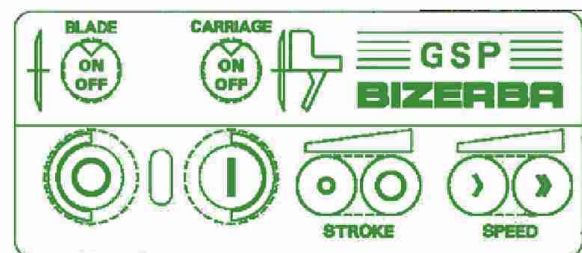
1. Nettoyer et sécher la lame
2. Positionner l'aiguisoir à la position 1 pour 30 secondes
3. Positionner l'aiguisoir à la position 2 pour 3 secondes

Les dommages de faute négligence ne sont pas couverts par la garantie

800-70

HAUTEUR MINIMUM D'INSTALLATION
(SOL / CENTRE DU DOUVEAU) : 900 MM

800-140



800-150

Country set - plates and deco foil

Item	Material No.	Qty	Material description	available for order	Wear part	Recomm. sp. part	Metr. relevance
800-10	47509041900	001	Warning label moving carriage bg				
800-10	47501149401	001	WARNING LABEL MOVING CARRIAGE GER				
800-10	47509040800	001	Warning label moving carriage dk				
800-10	47501145901	001	Warning label moving carriage en				
800-10	47509042000	001	Warning label moving carriage fi				
800-10	47509040900	001	Warning label moving carriage fl				
800-10	47509040600	001	Warning label moving carriage es				
800-10	47509042500	001	Warning label moving carriage Estonia				
800-10	47501149301	001	Warning label moving carriage fr				
800-10	47509041300	001	Warning label moving carriage gr				
800-10	47509040500	001	Warning label moving carriage it				
800-10	47509042300	001	Warning label moving carriage Latvia				
800-10	47509042400	001	Warning label moving carriage Lithuania				
800-10	47509041100	001	Warning label moving carriage nl				
800-10	47509042100	001	Warning label moving carriage no				
800-10	47509041600	001	Warning label moving carriage pl				
800-10	47509040700	001	WARNING LABEL MOVING CARRIAGE PORT				
800-10	47509042200	001	Warning label moving carriage ro				
800-10	47509041200	001	Warning label moving carriage ru				
800-10	47509041700	001	Warning label moving carriage sr				
800-10	47509042600	001	WARNING LABEL MOVING CARRIAGE SLOVAKIA				
800-10	47509042700	001	Warning label moving carriage Slovenia				
800-10	47509041000	001	Warning label moving carriage sv				
800-10	47509041400	001	WARNING LABEL MOVING CARRIAGE CZECH				
800-10	47509041500	001	Warning label moving carriage hu				
800-15	38014989000	001	Sticker "See instruction manual "				
800-20	47509000301	001	REFERENCE PLATE GER				
800-20	47509001301	001	REFERENCE PLATE DNK				
800-20	47509000401	001	REFERENCE PLATE ENG				
800-20	47509000601	001	REFERENCE PLATE ESP				
800-20	47509022100	001	REFERENCE PLATE ESTONIA				
800-20	47509021400	001	REFERENCE PLATE FINLAND				
800-20	47509010301	001	REFERENCE PLATE FLEM				
800-20	47509000501	001	REFERENCE PLATE FRA				
800-20	47509020800	001	REFERENCE PLATE GREE				
800-20	47509021800	001	REFERENCE PLATE LATVIA				
800-20	47509022000	001	REFERENCE PLATE LITHUANIA				
800-20	47509021500	001	REFERENCE PLATE NORWAY				
800-20	47509000701	001	REFERENCE PLATE ITA				
800-20	47509020600	001	REFERENCE PLATE NDL				
800-20	47509021200	001	REFERENCE PLATE POL				
800-20	47509010201	001	REFERENCE PLATE PORT				

Country set - plates and deco foil

WARNING!
Do not touch
moving carriage.
DANGER TO INJURIES!

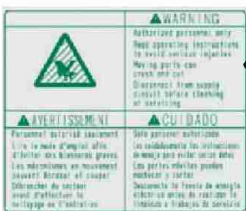
800-10



800-15

Use and maintenance
only in conformity with
operating instructions

800-20



800-30

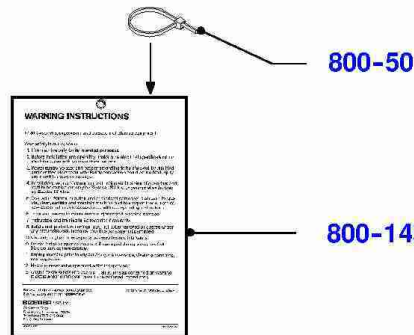
ATTENTION
NE JAMAIS NETTOYER LE COUPEAU
SANS QUE LE SÉLECTEUR D'ÉPAISSEUR
DE TRANCHES SOIT À "0"

ATTENTION
IL EST OBLIGATOIRE DE RABATTRE
LE POUSSE-TALON SUR LE PRODUIT
AVANT SON TRANCHAGE.

800-40

CHOISIR LA POSITION
DE L'AFFÛTEUR
MACHINE À L'ARRÊT

800-45



800-50

800-145

SHARPEN AND LUBE DAILY

1. clean and dry blade
2. set sharpener to 1 for 30 seconds
3. then position 2 for 3 seconds

damage free subject set covered under warranty

800-60

AIGUSAGE ET LUBRIFICATION
JOURNALIÈRE

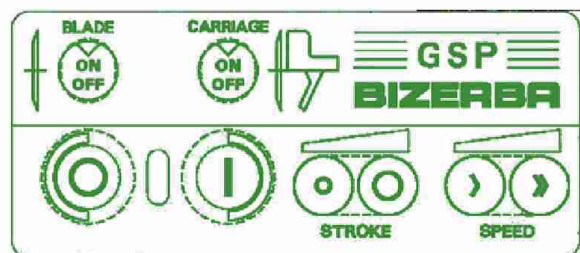
1. Nettoyer et sécher la lame
2. Positionner l'aiguseur à la position 1 pour 30 secondes
3. Positionner l'aiguseur à la position 2 pour 3 secondes

Les dommages de suite réajustage ne sont pas couverts par la garantie

800-70

HAUTEUR MINIMUM D'INSTALLATION
(SOL / CENTRE DU DOUVEAU) : 900 MM

800-140



800-150

Country set - plates and deco foil

Item	Material No.	Qty	Material description	available for order	Wear part	Recomm. sp. part	Metr. relevance
800-20	47509021700	001	REFERENCE PLATE ROMANIA	✓			
800-20	47509020900	001	REFERENCE PLATE SERBOCROAT	✓			
800-20	47509020700	001	REFERENCE PLATE RUSS	✓			
800-20	47509022200	001	REFERENCE PLATE SLOVAKIA	✓			
800-20	47509022300	001	REFERENCE PLATE SLOVENIA	✓			
800-20	47509020500	001	REFERENCE PLATE SWE	✓			
800-20	47509021000	001	REFERENCE PLATE CZECH	✓			
800-20	47509021100	001	REFERENCE PLATE HUN	✓			
800-20	47509021300	001	REFERENCE PLATE BULGARIA	✓			
800-30	38017656000	001	Warning plate	✓			
800-40	47509010400	001	Reference plate fr	✓			
800-45	51908600000	001	REFERENCE PLATE FR	✓			
800-50	71004310000	001	Cabel Tie T18R	✓			
800-60	60804801200	001	Reference plate "Sharpen and lube daily"	✓			
800-70	60804803400	001	REFERENCE PLATE "AIGUISAGE ET LUBRIFIC."	✓			
800-140	47501006101	001	Reference plate fr min. install. height	✓			
800-145	67501163700	001	REFERENCE PLATE "WARNING INSTRUCTIONS"	✓			
800-150	60386400403	001	DECO FOIL	✓			
800-150	60386400600	001	DECO FOIL FRA	✓			
800-150	38036739000	001	DECO FOIL GSP HD BR	✓			

Index

Material No.	Material description	Page
	BLADE COVER PREASS.	195
	BLADE COVER PREASS. C	195
...	Assembly overview	281, 343
...	Bottom plate and accessories	281, 343
...	Carriage guide, sensor support, rail, angle and locking slider	281, 343
...	Electronic and cables	281, 343
...	Fastening carriage drive, rubber foot	281, 343
...	Housing preass. - BR	281, 343
...	Machine housing, blade bearing preass., belt pulley and accessories	281, 343
...	Motor fastening and belt tension	281, 343
...	Off/emergency - switch red yellow, push button emergency stop	281, 343
...	Overview	435
...	Product fixation (Clamping carriage)	435
...	Product fixation, compl. (346 mm)	435
...	Rotary knob and load arm	281, 343
...	Ruler 70 mm compl.	435
...	Ruler, compl., long (30x12x345 mm) for 25L / 25H	435
...	Ruler, compl., short (30x12x339 mm)	435
...	Tomato loading device	435
...	Vegetable chamber 333 and pusher	435
00110000074	Washer 12,5x24x0,5	149, 157, 163
00110000095	disk spring	225, 293, 333, 355
00110038600	MAINS CABLE WITHOUT PLAG	15
00110500002	WASHER 6.2X0.5	149
29774530000	ADHESIVE TAPE NO.959 GR 80BR.X0.3	459
38002106000	Shoring bolt	217, 219, 221, 287, 327, 349
38002269000	BLADE SHAFT	219
38002269004	Blade shaft	217, 221, 287, 327, 349
38002647001	Blade bearing preass.	215, 219, 285, 325, 347
38004280000	FASTENING PLATE	271, 315, 377
38004285000	COOLING PLATE	271, 277, 279, 315, 377
38004288000	STUD	271, 315, 377
38004459000	Loctite 648	59, 65, 71, 77, 95, 101, 107, 113, 125, 131, 157, 159, 161, 163, 165, 167, 169, 171, 431, 445, 451, 477, 483
38004689000	Plain bearing 25x28x30	239, 247, 251, 257, 307, 369
38004696000	Plain bearing 14x16x15	51, 55, 91, 141, 147
38004699000	Plain bearing 6x8x6	143
38006643000	Plain bearing 10x12x12	151, 159, 165, 169, 171
38007455000	BLADE COVER	195
38007516000	PROTECTIVE PLUG, KNURLED GREY	277, 279, 313, 375
38007856002	Latch 17x50,5x30,4	195, 197
38007880000	washer	195, 197
38007882000	thrust washer	195, 197
38007909000	FIXING BOLT	205
38008349001	BOLT LONG	195, 197
38008483000	HEATPAD	271, 315, 377
38008544000	Handlebar 67x260x12	25, 27, 29, 31, 33, 35, 37, 39

Index

Material No.	Material description	Page
38008544000	Handlebar 67x260x12	41, 43
38008604000	Cover disc 18x8	391, 395, 399, 401, 411, 413
38008669001	LEVER	51, 55, 91, 141
38008682000	cover disc long	391, 395, 399, 401, 411, 413
38008734000	WASHER	51, 55, 91, 141
38008753001	CARRIAGE PLATE WELDED 90MM L	49
38008753002	CARRIAGE PLATE WELDED 90MM L	53
38008753004	Carriage plate welded 90mm L	59
38008873000	DRAIN SHEET	277, 279
38008874000	COVER	277, 279
38009007000	ADAPTER, USA OLD VERSION WITHOUT SHARPENING LIMITER	411
38009007001	adapter, USA 25L / Europe 0 18L	395, 411, 413
38009277000	CARRIAGE PLATE IBERO	89
38009277001	CARRIAGE PLATE IBERO	93, 123
38009693000	GASKET COOLING PLATE	271, 277, 279, 313, 375
38009893000	Carriage foot machined 25 low	27, 37
38009906000	handwheel	393, 397, 403, 405, 407, 409, 415, 417
38009954000	bearing bolt	393, 397, 403, 405, 407, 409, 415, 417
38009999000	Carriage foot machined 18 low	25, 33
38010209000	Stop - Verwendung entfallen	395, 411, 413
38010259000	UVV Sharpener preass. GSP	391, 395, 399, 401, 407, 411, 413
38010262000	tightening element	391, 395, 399, 401, 411, 413
38010263000	GRINDER NSF COMPL. 18H 25H WITHOUT SHARPENING LIMITER	389, 399
38010263001	Grinder GSP 330 cpl. 18/25 High	389, 399
38010280000	BLADE COVER CPL.	193, 195
38010304000	Washer	393, 397, 403, 405, 407, 409, 415, 417
38010326001	Washer	425
38010328000	SPACER PREASSEM., INSULATED	425
38010329000	SPACER RING, INSULATED	425
38010518000	INTERLOCK (OLD INTERLOCK)	49, 85, 89
38010519001	BEARING PEDESTAL	49, 53, 57, 85, 87, 89, 93, 121, 123, 139
38010524000	GRINDER NSF KPL. USA 25L WITHOUT SHARPENING LIMITER	389, 411
38010524001	Grinder GSP 330 cpl. 18/25 Low	389, 411
38010541001	BLADE COVER CLOSED	197
38010548000	Housing	393, 397, 403, 405, 407, 409, 415, 417
38010555000	GUIDE SHAFT	49, 85, 89
38010555001	guide shaft	53, 57, 59, 65, 71, 77, 87, 93, 95, 101, 107, 113, 121, 123, 125, 131
38010566000	Carriage plate foot	49, 53, 57, 59, 65, 71, 77, 85, 87, 89, 93, 95, 101, 107, 113, 121, 123, 125, 131, 139, 143
38010816000	Flat spring 29,5x10x0,6	393, 397, 403, 405, 407, 409, 415, 417

Index

Material No.	Material description	Page
38010862000	Steel star handle 18,85mm, cpl.	391, 395, 399, 401, 411, 413
38010980000	pressure spring	393, 397, 403, 405, 407, 409, 415, 417
38010995001	pressure spring	393, 397, 403, 405, 407, 409, 415, 417
38011592001	Slider	443, 449, 453, 465, 469, 475, 481, 485
38011664000	ruler	485
38011665000	RULER CPL LONG (30x12x345MM) (FOR 25L / 25H)	437, 485
38011691000	STAR KNOB K63 LONG CPL. (OLD VERSION FOR RETAINING WASHER)	25, 27
38011691001	star knob with bolt long	25, 27, 31, 33, 35, 37, 39
38011914000	BLADE GUARD RING GSPHD 25H	205
38011961000	SPACER RING	273, 317, 379
38012040000	SUPPORT BOTTOM	201
38012263000	ACTUATOR BLACK	285, 325, 347
38012265000	CONTACT BLOCKS 1XINVERTER	285, 325, 347
38012320001	Interlock machined part	53, 57, 59, 87, 93, 95, 121, 123
38012558000	Hexagon nut DIN439-M6-A2	393, 397, 403, 405, 407, 409, 415, 417
38013546000	CARRIAGE FOOT MACHINED 25 LOW BR	31
38014393000	EAC mark	387
38014663000	Carriage Plate 18 L	139
38014680000	guide shaft	139
38014966001	BEARING PEDESTAL C	53, 57, 87, 121, 139
38014968000	Carriage plate foot C	53, 57, 87, 121, 139, 143
38014971001	CARRIAGE PLATE WELDED 90MM L C	53
38014971003	Carriage Plate Welded 90mm L C	65
38014975001	LEVER C	55, 141
38014978001	CARRIAGE PLATE WELDED 150MM L C	87
38014978003	Carriage Plate Welded 150mm L C	101
38014985000	Carriage Plate C	139
38014989000	Sticker "See instruction manual "	493
38014990000	Protective plate 18 C	139, 145
38016161000	BLADE COVER C	195
38016193000	BLADE COVER CPL C	193, 195
38017656000	Warning plate	495
38017693000	Verschluss Scheibe C Nachfolg 56777181000	191, 235, 285, 303, 325, 347, 365
38017819000	SUPPORT BOTTOM C	201
38017918000	Constraint	139
38018044000	Carriage foot machined 18 low C	25, 35
38018092000	Carriage foot machined 25 high C	29, 43
38018118000	Carriage foot machined 25 low C	27, 39
38018483000	Guide block	143
38018485000	Carriage Plate Mounting Carriage	143
38018862000	Pull rod	143
38019609000	Ruler C	485
38019641000	Ruler 70mm C	449, 465, 469, 481

Index

Material No.	Material description	Page
38019687000	Location bolt HD 16x10,9 K	205
38019715000	grooved cam	225
38019772000	carriage plate C	143
38019774000	Guide block C	143
38020022000	WASHER, INSULATED	427
38023848000	BEARING BRACKET	265
38023848001	Bearing bracket GSP machined	233, 269, 301, 341, 363
38023851000	Bearing bracket preass.	225, 265, 293, 333, 355
38023912001	ROTARY KNOB SHAFT (ILLUMINATION)	225
38024858000	Cover plate 25 C	121
38025717000	BLADE REMOVING BOLT PREASSEMBLED	19
38025717003	Blade Removing Bolt preassembled	21
38025719000	safety disk pre assembled	19, 21
38025720000	blade removal device compl.	17, 19
38026188000	Plain bearing 18x20x15	231, 233, 265, 267, 269, 299, 301, 339, 341, 361, 363
38026226000	SHRINK SLEEVE UL 4.8 30MM	429
38027264000	packaging blade removal unit	17
38027530000	Plain bearing 12x14x15	151, 159, 165, 169, 171, 189
38028810000	adjusting bolt	203
38030938001	BLADE COVER CLOSED PREASS.	197
38030942001	BLADE COVER CLOSED COMPL.	193, 197
38031674000	Handle with cap black	145, 153, 173
38031760000	SUPPORTING PLATE	145
38031761000	Supporting Plate Complete	145
38031776000	Lever hub	159, 169
38031777000	Lever preassembled	149, 151, 157
38031868000	SUPPORTING PLATE C	145
38031869000	Supporting plate compl. C	145
38031870000	Lever with lever hub C	165, 171
38031871000	Lever preassembled C	149, 151, 163
38031972000	supporting pin	177, 183
38031983000	Remnant holder with peaks and bolt 6 mm	177
38032678000	Handhold 27,5x89,5 M10x35 PA red	49, 51, 53, 55, 57, 85, 87, 89, 91, 93, 121, 123, 139, 141, 173
38032738000	CARRIAGE PLATE WELDED 90MM L NH (WITHOUT DRILLED HOLE)	57
38032738003	Carriage Plate welded 90mm L nh	71
38032751000	CARRIAGE PLATE WELDED 90MM L C NH (WITHOUT DRILLED HOLE)	57
38032751002	Carriage Plate welded 90mm L C nh	77
38032820000	CARRIAGE PLATE WELDED 150MM L NH (WITHOUT DRILLED HOLE)	87
38032820003	Carriage Plate welded 150mm L nh	107
38032821000	CARRIAGE PLATE WELDED 150MM L C NH (WITHOUT DRILLED HOLE)	87
38032821002	Carriage Plate welded 150mm L nh C	113
38033016000	washer	149, 157, 163
38034057001	BLADE COVER CLOSED COMPL. C	193, 197

Index

Material No.	Material description	Page
38034058001	BLADE COVER CLOSED PREASS. C	197
38034060001	BLADE COVER CLOSED C	197
38034566000	closing plug	201, 203
38036737000	GROOVED PIN SPECIAL 4X18	189
38036739000	DECO FOIL GSP HD BR	273, 495
38036888000	Handle 151,75 x 60 black	173
38039831001	Disc spring DIN2093 10x4,2x0,5	65, 71, 77, 101, 107, 113, 125, 131
38040044000	SLIDING DISK	227
38040050000	O-ring DIN3771 5x2 NBR	227
38043601000	bolt NSF	25, 27, 31, 33, 35, 37, 39
38043956000	screwed bush cpl.	459, 463
38047077000	Washer 20x12,2x0,2	149, 157, 163
38049176001	ROTARY KNOB WITH BOARD GLUED CPL. ILLUMINATION	227
38049770000	Handhold 27,5x89,5 M10x35 PA green	23, 25, 27, 29, 31
38057418000	EMERGENCY LABEL DE, EN, ES, PT	289, 319, 329, 351, 381
38057477000	Contact Element Open M22-K01Q	319, 381
38057481000	Push Buttom Emergency Stop M22-PV/K01	289, 319, 329, 351, 381
38059703002	BOLT GSP BRAZIL	285, 325, 347
38059802000	SAFETY TURNING BOLT	285, 325, 347
38059809000	TWO- WAY KEY BIT 5MM FORM A	285, 325, 347
38059909000	ROTARY KNOB WITH BOARD GLUED	227
38059916000	ROTARY KNOB WITH BOARD GLUED PRE- ASSEM.	227
38060201000	FIXING PLATE	227
38060543000	BRIDGE PLUG GSP- HD BRASIL	313, 319, 375, 381
38060694000	Ground Terminal 10mm2	289, 329, 351
38060800000	Label Potential Equalization	289, 329, 351
38062319001	GROOVED CAM LATERAL GROOVE	293, 333, 355
38062846000	SAFTY CONTROL UNIT 463111B1	319, 381
38062854000	KA RD 5G0,5 0,98M	289, 329, 351
38062863000	KA RD 3G0,5 0,88M	319, 381
38062871000	KA RD 5G0,5 1,34M	319, 381
38062875000	KA RD 2X0,75 0,23M	319, 381
38062877000	KA RD 2X0,75 0,68M	289, 329, 351
38062879000	KA RD 3G0,5 1,10M	319, 381
38063679000	SMALL CONTACTOR 24V DC B7D- 30- 01- 01	319, 381
38067777000	BLADE 330 C SLAYER - SERVICE	17, 215, 285, 325, 347
38068506000	LABEL APPROVAL NCC SEGURANCA	13
38077330002	Cover disk 35f8x26x1,5	239, 251, 257, 307, 369
38083313000	Shock absorber 38x24,5x25	237, 249, 305, 367
38103725000	Fixing Pin Diameter 12x16,5	445, 451, 477, 483
38105219000	Set screw ISO4026 M6x50-A2-70	431
38132484000	Washer 6,2x9,5x0,5	157, 163
38132485000	Washer 6,3x12x0,5	393, 397, 403, 405, 409, 415, 417
38141752000	Bearing Pedestal 20 x 36	59, 65, 71, 77, 95, 101, 107, 113, 125, 131
38170429000	Disc spring 23,7x14,3x0,3x1,3 tf-k slot*	61, 67, 73, 79, 97, 103, 109, 115, 127, 133, 157, 163

Index

Material No.	Material description	Page
38170799000	Interlock Grivory	65, 71, 77, 101, 107, 113, 125, 131
38183755000	Washer 14,25x25x1,5	63, 69, 75, 81, 99, 105, 111, 117, 129, 135
38187607000	Protective bag 400x300	421
38188027000	Hexagon flange bolt M6x16-A2-70 Precote*	65, 71, 77, 101, 107, 113, 125, 131
38190978000	Cylinder screw M6x20-A2-70 Precote 30-8	233, 269, 301, 341, 363
38900056000	Oval-head screw DIN7985 M6x30-A2-70	393, 397, 403, 405, 407, 409, 415, 417
38900060000	Washer DIN125-A-3,5-A2	391, 395, 399, 401, 411, 413
38900063000	Hexagon flange bolt DIN6921 M6x16-A2-70	49, 53, 57, 59, 85, 87, 89, 93, 95, 121, 123, 139, 143
40110000099	Washer 22x6,5x1,5	223, 291, 331, 353, 425
40110047600	Power Cable Plugtype G 3x1,00 BK 2,5m	15
40110102102	Bolt 7x1	147
40110201009	Washer	225, 293, 333, 355
40110201104	PRESSURE SPRING 0110201104	147
40110500008	WASHER	407
40182400005	Pressure spring 6,6x5,4x15	149, 157, 163
40220000201	PROTECTIVE PLUG 12.2 KNURLED	195, 197
40220003400	PROTECTIVE BAG	419
40220102500	roller	241, 247, 253, 259, 263, 309, 371
40220601100	Locking washer 11x5,4x1,5	393, 397, 403, 405, 407, 409, 415, 417
40300057700	POWER CONNECTING CABLE USA,CAN	15
40300900006	slide pin	51, 55, 63, 69, 75, 81, 91, 99, 105, 111, 117, 129, 135, 141
40950000176	Brush 160x16	419, 421
47501006101	Reference plate fr min. install. height	495
47501145901	Warning label moving carriage en	493
47501149301	Warning label moving carriage fr	493
47501149401	WARNING LABEL MOVING CARRIAGE GER	493
47509000301	REFERENCE PLATE GER	493
47509000401	REFERENCE PLATE ENG	493
47509000501	REFERENCE PLATE FRA	493
47509000601	REFERENCE PLATE ESP	493
47509000701	REFERENCE PLATE ITA	493
47509001301	REFERENCE PLATE DNK	493
47509010201	REFERENCE PLATE PORT	493
47509010301	REFERENCE PLATE FLEM	493
47509010400	Reference plate fr	495
47509020500	REFERENCE PLATE SWE	495
47509020600	REFERENCE PLATE NDL	493
47509020700	REFERENCE PLATE RUSS	495
47509020800	REFERENCE PLATE GREE	493
47509020900	REFERENCE PLATE SERBOCROAT	495
47509021000	REFERENCE PLATE CZECH	495
47509021100	REFERENCE PLATE HUN	495

Index

Material No.	Material description	Page
47509021200	REFERENCE PLATE POL	493
47509021300	REFERENCE PLATE BULGARIA	495
47509021400	REFERENCE PLATE FINLAND	493
47509021500	REFERENCE PLATE NORWAY	493
47509021700	REFERENCE PLATE ROMANIA	495
47509021800	REFERENCE PLATE LATVIA	493
47509022000	REFERENCE PLATE LITHUANIA	493
47509022100	REFERENCE PLATE ESTONIA	493
47509022200	REFERENCE PLATE SLOVAKIA	495
47509022300	REFERENCE PLATE SLOVENIA	495
47509040500	Warning label moving carriage it	493
47509040600	Warning label moving carriage es	493
47509040700	WARNING LABEL MOVING CARRIAGE PORT	493
47509040800	Warning label moving carriage dk	493
47509040900	Warning label moving carriage fl	493
47509041000	Warning label moving carriage sv	493
47509041100	Warning label moving carriage nl	493
47509041200	Warning label moving carriage ru	493
47509041300	Warning label moving carriage gr	493
47509041400	WARNING LABEL MOVING CARRIAGE CZECH	493
47509041500	Warning label moving carriage hu	493
47509041600	Warning label moving carriage pl	493
47509041700	Warning label moving carriage sr	493
47509041900	Warning label moving carriage bg	493
47509042000	Warning label moving carriage fi	493
47509042100	Warning label moving carriage no	493
47509042200	Warning label moving carriage ro	493
47509042300	Warning label moving carriage Latvia	493
47509042400	Warning label moving carriage Lithuania	493
47509042500	Warning label moving carriage Estonia	493
47509042600	WARNING LABEL MOVING CARRIAGE SLOVAKIA	493
47509042700	Warning label moving carriage Slovenia	493
50001250000	Plain bearing 12x14x10	435
50001510000	Disc spring 11x6,2x0,3	49, 53, 57, 59, 85, 87, 89, 93, 95, 121, 123, 139, 143
50001540000	Disc spring 23,7x14,3x0,3	51, 55, 91, 141
50001680000	Disc spring 31,7x20,4x0,35	427, 433
50001690000	Disc spring 21,8x12,3x0,25	149
50001940000	O- SEAL 6X3	271, 315, 377
50002390000	Protective plug 14,5x12,7x9,5-PE	225, 293, 333, 355
50002840000	CLOTH 38X40	419
50003040000	Protective plug 11x5x6-PE	203
50005070000	Plain bearing 6x8x6	425, 427
50009531000	Toothed belt 16 HTD5x550	427
50009532000	Toothed belt 16 HTD5x1050	427
50009811000	V-ribbed belt 10 PJ 406	223, 291, 331, 353
50250100000	Grounding Plate 9x17/4.3 D	289, 329, 351
50275150000	Comp. spring 8,5x6,1x29,4x15,57-5,761	235, 303, 365

Index

Material No.	Material description	Page
50275260000	Compression spring 11x26x5,5x1	143
50282370000	Disc spring 54,5x40,5x0,45	217, 219, 221, 287, 327, 349, 427
50373961000	Disc magnet 10x6	205
50383650000	Buffer 12x11	241, 247, 253, 259, 263, 309, 371
50998960000	Tension spring 12x27,8x7,98-1,015	235, 303, 365
51908600000	REFERENCE PLATE FR	495
51975600000	Information Sign disconnect the Plug	277, 279, 313, 375
51977600000	Warning plate with danger arrow 50	275, 277, 279, 313, 375
56008200000	Self Clinching Stud FHS-M4-12-A2-70	489, 491
56032250000	SETSCREW DIN 551- M4X25- 14H	271
56032750000	Set screw DIN551 M4x75-14H	205
56044800000	Set screw DIN551 M8x35 - brass	239, 247, 251, 257, 307, 369
56046470000	Set screw DIN551 M8x70-A2-70	161, 167
56047610000	Set screw DIN551 M6x8-PA 66	455, 487
56047810000	Set screw DIN551 M8x16-PA 66	443, 449, 453, 465, 469, 475, 481, 485
56070470000	SETSCREW DIN 926- M4X4X2.5- A2- 70	147
56070570000	Set screw DIN926 M6x7,5-A2-70	455
56081060000	Set screw DIN916 M6x8-A2-70	233, 269, 301, 341, 363
56083180000	Set screw ISO4026 M6x35-A2-70	225, 293, 333, 355
56083380000	Set screw ISO4026 M10x50-A2-70	225, 293, 333, 355
56083390000	Set screw ISO4026 M4x16-A2-70	271, 277, 279, 313, 375
56083970000	Set screw DIN916 M6x8-45H	231, 265, 267, 299, 339, 361
56083980000	Set screw DIN916 M6x12-A2-70	205, 235, 303, 365
56084000000	Set screw ISO4026 M4x25-A2-70	315, 377
56086270000	Ball knob DIN319 M8x32 I	459
56086280000	Ball knob DIN319 M12x40 I	189, 435
56087080000	STAR KNOB DIN 6335- K 50 M8	147
56087170000	Mushroom handle M6 I	143
56150360000	PARALLEL PIN DIN 6325- 8M6X26- ST	265
56187740000	Cylindrical pin EN 22338-4m6x20-A2	147
56187990000	Cylindrical pin EN 22338-6m6x16-A2	277, 279, 313, 375
56269330000	Round-Head Nail DIN 1476-3x6-PC	225, 293, 333, 355
56322570000	Grooved Taper Pin DIN 1471-4x24-A2-70	143
56336160000	Grooved Pin DIN 1474-4x16 A2-70	151, 159, 165, 169, 171
56337160000	Grooved Pin DIN 1474-5x16 A2-70	51, 55, 63, 69, 75, 81, 91, 99, 105, 111, 117, 129, 135, 141, 151, 159, 165, 169, 171, 231, 233, 265, 267, 269, 299, 301, 339, 341, 361, 363
56338240000	Grooved Pin DIN 1474-6x24 A2-70	275, 313, 375
56359360000	Grooved Pin DIN 1473-4x10-A2	203, 207, 209
56359380000	GROOVED PIN DIN 1473- 4X20- A2	189, 435
56359570000	GROOVED PIN SPECIAL 4X18- A2	435
56362640000	Grooved ball bearing 15x32x9	427, 433
56362670000	Grooved ball bearing DIN625 15x42x13	427
56362680000	Grooved ball bearing 30x55x13 6006-2NSE9	217, 219, 221, 287, 327, 349, 427

Index

Material No.	Material description	Page
56395310000	SHAFT SEAL INA G6X10X2	147
56400860000	Locknut DIN 985-M6-A2-70 56400860000	231, 233, 265, 267, 269, 299, 301, 339, 341, 361, 363
56400880000	Lock nut DIN985-M8-A2	161, 167
56400890000	Locknut DIN 985-M4-A2-70 56400890000	143, 195, 197
56413060000	Cap nut DIN917-M6-A2	149
56413060001	Cap nut DIN917-M6-A2	157, 163
56444500000	Hexagon nut DIN439-M5-A2	89, 93, 123, 139, 145, 319, 381
56444600000	Hexagon Nut DIN 439-BM6-A2-70	19, 21
56444800000	Hexagon nut DIN439-M8-A2	149, 157, 163
56444820000	Hexagon Nut DIN 439-BM10-A2-70	225, 293, 333, 355
56453290000	Threaded insert M12x9	239, 247, 251, 257, 307, 369
56456400000	Hexagon nut DIN934-M4-A2	201, 271, 289, 315, 319, 329, 351, 377, 381
56456500000	Hexagon Nut DIN 934-M5-A2-70	289, 329, 351
56456600000	Hexagon nut DIN934-M6-A2	19, 21, 225, 293, 333, 355
56456800000	Hexagon Nut DIN 934-M8-A2-70	239, 247, 251, 257, 307, 369
56456820000	Hexagon nut DIN934-M10-A2	225, 293, 333, 355
56456830000	Hexagon Nut DIN 934-M12-A2-70	25, 27, 29, 31, 33, 35, 37, 39, 41, 43
56472120000	Hexagon nut DIN439-M12-A2	25, 27, 29, 31, 33, 35, 37, 39, 41, 43
56739030000	Washer DIN125-A-3-A2-70 56739030000	225, 293, 333, 355
56739040000	Washer DIN 125-A 4.3-A2-70 56739040000	143, 231, 235, 265, 267, 271, 277, 279, 289, 299, 303, 313, 315, 319, 329, 339, 351, 361, 365, 375, 377, 381
56739050000	Washer DIN 125-A 5_3 -A2-70 56739050000	89, 93, 123, 139, 145, 201, 225, 289, 293, 319, 329, 333, 351, 355, 381
56739060000	Washer DIN125-A-6-A2	143, 147, 185, 215, 219, 225, 231, 233, 235, 247, 265, 267, 269, 275, 285, 293, 299, 301, 303, 313, 321, 325, 333, 339, 341, 347, 355, 361, 363, 365, 375, 383, 391, 393, 395, 397, 399, 401, 403, 405, 407, 409, 411, 413, 415, 417, 427, 25, 27, 29, 31, 33, 35, 37, 39, 41, 43
56739080000	Washer DIN 125-A 8.4-A2-70	143, 153, 161, 167, 239, 247, 251, 257, 307, 369
56739100000	Washer DIN125-A-10-A2	225, 293, 333, 355
56755650000	Washer DIN433-6-A2	393, 397, 403, 405, 407, 409, 415, 417
56764070000	Washer DIN9021-6-PA66	425, 427
56765040000	Washer DIN9021-4-A2	201
56765050000	Washer DIN 9021-5_3-A2-70 56765050000	201, 395, 411, 413
56765060000	Washer DIN9021-6-A2	223, 291, 331, 353, 425, 427, 433
56768100000	Washer DIN125-A-12-PA66	25, 27, 29, 31, 33, 35, 37, 39, 41, 43

Index

Material No.	Material description	Page
56777100000	Sealing washer DIN470 10-AI	443, 449, 453, 455, 465, 469, 475, 481, 485, 487
56777181000	Sealing washer DIN470 18-AI	191, 235, 285, 303, 325, 347, 365
56805380001	Oval-head screw DIN7985 M3x20-4.8	225, 293, 333, 355
56805410000	OVAL- HEAD SCREW DIN 7985- M4X6- 5.8	235, 303, 365
56806430000	Oval-head screw DIN7985 M4x10-A2-70	271, 277, 279, 313, 315, 375, 377
56806460000	Oval-head screw DIN7985 M4x16-A2-70	231, 233, 265, 267, 269, 299, 301, 339, 341, 361, 363
56806520000	Oval-head screw DIN7985 M5x10-A2-70	395, 411, 413
56806640000	Oval-head screw DIN7985 M6x10-A2-70	427, 433
56806650000	Oval-head screw DIN7985 M6x12-A2-70	185, 275, 321, 383
56806700000	Oval-head screw DIN7985 M6x25-A2-70	275, 321, 383, 391, 395, 399, 401, 411, 413
56818430000	Self-tapping screw DIN7500-CE M4x8-5.6*	239, 247, 251, 257, 307, 369
56818470000	SELF- TAPPING SCREW CM4X16T20	271, 315, 377
56836380000	COUNTER SUNK SCREW DIN 966- M4X20- A2- 70	487
56922570000	Counter Sunk Screw DIN 964-M5x25-A2-70	225, 293, 333, 355
56972510000	Mushroom Head Screw M4x12-A2-70	49, 85, 89
56972530000	Mushroom head screw M4x16-A2-70	53, 57, 59, 87, 93, 95, 121, 123, 139, 143
56972540000	Mushroom head screw M4x10-A2-70	49, 53, 57, 59, 85, 87, 89, 93, 95, 121, 123
56980720000	Oval-head screw DIN923 M5x11-5.8	239, 247, 251, 257, 307, 369
57264250000	Hexagon screw DIN931 M6x50 A2-70	427
57345200000	Hexagon screw DIN933 M5x20 8.8	201
57347160000	HEXAGON SCREW DIN 933- M6X16- 8.8	235, 247, 303, 365
57429060000	Hexagon screw DIN933 M4x6 A2-70	275, 313, 319, 375, 381
57429100000	Hexagon Screw DIN933 M4x10 A2-70	319, 381
57429160000	Hexagon Screw DIN 933-M4x16-A2-7	65, 71, 77, 101, 107, 113, 125, 131
57429350000	Hexagon Screw DIN 933-M4x35-A2-70	201
57430160000	Hexagon Screw DIN 933-M5x16-A2	143, 289, 329, 351
57431160000	Hexagon Screw DIN 933 M6x16 A2-70	239, 251, 257, 307, 369, 427
57431250000	Hexagon screw DIN933 M6x25 A2-70	435
57432200000	Hexagon Screw DIN 933-M8x20-A2-70	247
57432300000	Hexagon screw DIN933 M8x30 A2-70	247
57442080000	Countersunk Screw DIN7991 M4x12-A2-70	217, 219, 221, 287, 327, 349
57442160000	Countersunk screw ISO 10642 M6x16-A2-70	425
57442170000	Countersunk screw DIN7991 M6x20-A2-70	223, 291, 331, 353
57450350000	Self-tap screw ISO7049-C3,5x16 A2-50-T15	391, 395, 399, 401, 411, 413
57451200000	Countersunk screw DIN965 M4x10-A2-70	157, 163, 271, 315, 377
57451240000	Countersunk screw DIN965 M4x6-A2-70	271, 315, 377
57451390000	Countersunk Screw DIN965 M4x10-A2-70-T20	149
57451590000	Countersunk screw DIN965 M5x40-A2-70	443, 449, 453, 465, 469, 475, 481, 485
57451630000	Countersunk screw DIN965 M6x10-A2-70	427
57464230000	Plastic screw 4x16-St-T20	227, 229, 293, 297, 333, 337, 355, 359

Index

Material No.	Material description	Page
57465130000	Plastic screw 4x8-St-T20	273, 277, 279, 317, 379
57630430000	Countersunk Screw DIN 963-M4x10-A2-70	289, 319, 329, 351, 381
57630440000	Countersunk screw DIN963 M4x12-A2-70	139, 143
57630450000	Countersunk Screw DIN963 M4x16-A2-70	289, 329, 351
57630530000	Countersunk Screw DIN963 M5x12-A2-70	195, 197
57630540000	Countersunk Screw DIN963 M5x16-A2-70	143
57630620000	Countersunk screw DIN963 M6x12-A2-70	17, 215, 285, 325, 347
57630630000	Countersunk Screw DIN963 M6x16-A2-70	151, 159, 165, 169, 171
57736160001	Cylinder screw DIN912 M6x16-8.8	235, 303, 365
57736200000	Cylinder screw DIN912 M6x20-8.8	225, 231, 265, 267, 293, 299, 333, 339, 355, 361
57736300001	Cylinder screw DIN912 M6x30-8.8	231, 265, 267, 275, 299, 313, 339, 361, 375
57736450000	SOCKET HEAD SCREW DIN 912- M 6X45- 8.8	223, 291, 331, 353, 425
57737250001	SOCKET HEAD SCREW DIN 912- M8X25- 8.8- A4V	247
57743290000	Cylinder screw DIN912 M5x25-A2-70	201, 203
57743430000	Cylinder screw DIN 912-M6x20-A2-70	25, 27, 29, 31, 33, 35, 37, 39, 41, 43, 225, 293, 333, 355
57743440000	Socket Head Screw DIN 912-M6x25-A2-70	147, 215, 219, 247, 275, 285, 303, 313, 325, 347, 365, 375, 427
57743460000	Cylinder screw DIN912 M6x30-A2-70	233, 269, 301, 341, 363
57743510000	Socket Head Screw DIN 912-M6x60-A2-70	185
57743520000	Cylinder screw DIN912 M6x70-A2-70	187, 435
57743530000	Cylinder screw DIN912 M6x90-A2-70	185, 187
57743680000	Cylinder screw DIN912 M8x25-A2-70	239, 251, 257, 307, 369
57743740000	Cylinder screw DIN912 M8x50-A2-70	153
57744860000	Protective plug 9x4,2x2,5-PE	13, 225, 293, 333, 355
57744870000	Protective plug 10x5,2x3,1-PE	13, 187, 225, 235, 265, 293, 303, 333, 355, 365
57744880000	Protective plug 13x6,2x4-PE	25, 27, 29, 31, 33, 35, 37, 39, 41, 43
57747210001	Cylinder screw DIN7984 M5x12-8.8	225, 293, 333, 355
57750010000	Disk SR1947 6.2x12.7x3.8	149, 157, 163
57750600000	Retaining washer DIN6799-6	235, 303, 365
57750800000	Retaining washer DIN6799-8	247
57753400000	Retaining Washer DIN6799-4 57753400000	393, 397, 403, 405, 407, 409, 415, 417
57753500000	Retaining washer DIN6799-5	143
57753800000	Retaining Washer DIN 6799-8-1.41	25, 27, 29, 241, 253, 259, 263, 309, 371
57758500000	Toothed washer DIN6797-A 5,3-Fst	201
57758610000	Toothed washer DIN6797-A 4,3-Fst	271, 289, 315, 329, 351, 377
57758620000	Toothed Washer DIN 6797-A 5_3-FS	289, 329, 351
57767030000	Spring lock washer DIN128-A3-FSt	225, 293, 333, 355
57767040000	Spring lock washer DIN128-A4-FSt	201, 231, 265, 267, 271, 299, 315, 339, 361, 377
57767050000	Spring lock washer DIN128-A5-FSt	89, 93, 123, 139, 143, 145, 201, 203, 225, 293, 333, 355
57767060000	Spring lock washer DIN128-A6-FSt	147, 187, 215, 219, 223, 225, 231, 235, 239, 247, 251, 257

Index

Material No.	Material description	Page
57767060000	Spring lock washer DIN128-A6-FSt	265, 267, 275, 285, 291, 293, 299, 303, 307, 313, 325, 331, 333, 339, 347, 353, 355, 361, 365, 369, 375, 425, 427, 431, 435
57767080000	Spring lock washer DIN128-A8-A2	161, 167, 239, 247, 251, 257, 307, 369
57767100000	Spring lock washer DIN128-A10-FSt	225, 293, 333, 355
57775550000	Retaining ring DIN472-55x2	225, 293, 333, 355
57920040000	Adjusting Ring DIN 705-A18-St	225, 293, 333, 355
60112000029	Washer	427
60140000601	Washer 10.9 x 2	271, 313, 375
60180300028	Bolt 8X5	235, 303, 365
60220000802	Protective plug knurled black	155, 173, 175
60220001100	Thrust washer 16x10,1x1	143
60220003700	Distance bolt 8x10	149, 157, 163
60220007500	Paper Felt	419, 421
60220007800	SERVICE OIL BY BIZERBA 30 ML	419
60220110100	threaded pin	231, 265, 267, 299, 339, 361
60220110103	Threaded Bolt M12x1 x 14	233, 269, 301, 341, 363
60220200601	washer	223, 291, 331, 353, 425
60220200602	Washer 6,4x25x3	431
60220401600	Lock washer	51, 55, 91, 141, 149
60220401601	Lock washer	61, 67, 73, 79, 97, 103, 109, 115, 127, 133, 157, 163
60220402001	CLAMP HANDLE, SMALL	445, 451, 471, 477, 483
60220402101	cover	445, 451, 471, 477, 483
60220403800	Washer POM - 35x12,1	51, 55, 61, 67, 73, 79, 91, 97, 103, 109, 115, 127, 133, 141
60220405801	Pan head screw	445, 451, 471, 477, 483
60220405902	Bolt 15xM6x24	445, 451, 471, 477, 483
60220406801	CLAMP HANDLE COMPL.	177
60220600500	Shaft 12x58	393, 397, 403, 405, 407, 409, 415, 417
60220600700	Shaft 12x54,5	393, 397, 403, 405, 407, 409, 415, 417
60220600900	Cover 71x5.5	393, 397, 403, 405, 407, 409, 415, 417
60220602600	Spacer sleeve 10x6,1x5,5	393, 397, 403, 405, 407, 409, 415, 417
60223400500	Cap M6x10	391, 395, 399, 401, 411, 413
60223401000	SHARPENING DISK	407
60223401001	Sharpening disc	393, 397, 403, 405, 409, 415, 417
60223401100	HONING STONE	407
60223401101	Honing Disc	393, 397, 403, 405, 409, 415, 417
60223501702	SCALE	225, 227, 293, 333, 355
60223501703	Scale	229, 297, 337, 359
60223506301	COVER	205
60223506500	brake pulley	203

Index

Material No.	Material description	Page
60224000400	ROLLER	189
60240503100	Hexagon screw DIN 933 M4x10-A2-70	65, 71, 77, 101, 107, 113, 125, 131, 203
60260206700	Stop	151, 159, 165, 169, 171
60260206803	BEARING BOLT	151
60260206804	Thread bolt SW9x30 out/out M6x5 M6x8	159, 165, 169, 171
60260207003	Lock lever	149, 157, 163
60260207100	Axle 12x79	149, 157, 163
60260207201	cup disk	149, 157, 163
60260207301	CONTROL GEAR	149
60260207302	Control Gear	157, 163
60260207502	Cover	149, 157, 163
60260207800	Bearing nut SW19xM8x21	149, 157, 163
60260208200	Sliding disc 8x2	145
60260211900	Thrust washer 35x14,1x0,5	149, 157, 163
60260212200	Washer 16x10x0,06	143
60260212300	Thrust washer 34x14,1x1	149, 157, 163
60260212400	Stop pin M6x20	153, 161, 167
60260212500	Stop	149, 157, 163
60260297500	COVER C	149
60260297800	DIVOT NUT C	149
60266201000	Power Cable Plugtype J 3x1,00 GY 2,5m	15
60270101311	CHART SEALING RING	225, 293, 333, 355
60270201802	Washer with pin	51, 55, 91, 141, 149, 157, 163
60270201803	Washer 50x2,5 with pin M8 & Precote	61, 67, 73, 79, 97, 103, 109, 115, 127, 133
60270202800	WASHER 6.2X0.18	407
60270202801	Washer	393, 397, 403, 405, 409, 415, 417
60274600400	Round Nut	489, 491
60274600500	Round nut	487
60274601001	Bolt PA - 4,1x4,5	49, 85, 89, 93, 121, 123, 125, 131, 139, 145, 205
60352302300	Thrust washer	51, 55, 61, 67, 73, 79, 91, 97, 103, 109, 115, 127, 133, 141
60353601701	shock absorber	49, 53, 57, 59, 65, 71, 77, 85, 87, 89, 93, 95, 101, 107, 113, 121, 123, 125, 131, 139, 143
60353602300	Axle 10x101	143
60353603400	Lever	159, 169
60353603500	Stop bushing 16x10	151, 159, 165, 169, 171
60353800705	Slider protection and lever	143, 149
60353801201	LEVER EXTENSION ASSEMBLED	153
60353801202	LEVER EXTENSION PREASSEMBLED	149, 153
60353801203	Lever extension preassembled	157, 163
60353801402	Handle	155, 173, 175
60353801500	Lever extension 100x35x8	161, 167
60353801703	SLIDER PROTECTION	149
60353801704	Guard plate 135,5x230x8 grün transpar	157, 163

Index

Material No.	Material description	Page
60353890702	Slider protection and lever C	143, 149
60353891201	LEVER EXTENSION PREASSEMBLED C	149, 153
60353891500	LEVER EXTENSION C	153
60354300800	Sliding bar	143
60354301000	Adhesive foil	143
60354301500	Guide axle 14x300,5	143
60364301800	Support bolt long	177, 179, 181
60364302800	Remnant holder peaks below bolt 6 mm	177
60370100700	Roller support preassembled	239, 247, 251, 257, 307, 369
60370100801	Roller support	247
60370100802	Roller support 16x12x50	241, 253, 259, 263, 309, 371
60370100900	bearing bolt	241, 247, 253, 259, 263, 309, 371
60370101900	SCREW	235, 303, 365
60370102001	Carriage shaft preass.	237, 245, 249, 305, 367
60370102102	CARRIAGE SHAFT	245
60370102103	Carriage Shaft 559,7x25	243, 255, 261, 311, 373
60370102301	COVER	247
60370102302	Cover	239, 251, 257, 307, 369
60370102400	SHOCK ABSORBER	245
60370102401	Shock absorber 38x24,5x10	237, 249, 305, 367
60370102500	SHOCK ABSORBER SLEEVE	245
60370102600	Stop ring	243, 245, 255, 261, 311, 373
60370102700	Torsion spring	239, 247, 251, 257, 307, 369
60370102802	stop	239, 247, 251, 257, 307, 369
60370102901	INSERT	247
60370102902	Insert 30x22x2	239, 251, 257, 307, 369
60370103001	Retaining 12x35x30	223, 291, 331, 353
60370103211	sealing	201
60370103601	retaining ring	217, 219, 221, 287, 327, 349
60370103901	Spacer ring 19mm	217, 219, 221, 287, 327, 349
60370104100	Belt pulley PolyV	215, 285, 325, 347
60370104211	SEALING RING	219
60370104212	Sealing ring blade 108x84x40	217, 221, 287, 327, 349
60370104301	HEXAGONAL NUT	215, 285, 325, 347
60370104700	SPACER SLEEVE LONG	201
60370104911	Sealing	25, 27, 29, 31, 33, 35, 37, 39, 41, 43, 201
60370105601	GROOVED CAM (STANDARD)	225
60370105702	ROTARY KNOB SHAFT	225, 293, 333, 355
60370105801	Washer 70x18,2x2 - 1.4301	225, 293, 333, 355
60370105901	shaft	231, 233, 265, 267, 269, 299, 301, 339, 341, 361, 363
60370106100	SUPPORTING RAIL	225, 265, 293, 333, 355
60370106201	supporting plate	231, 265, 267, 299, 339, 361
60370106203	Supporting plate	233, 269, 301, 341, 363
60370106311	SEALING GAUGE PLATE	225, 293, 333, 355
60370106401	ANGLE, BACK	235, 303, 365
60370106501	ANGLE, FRONT	235, 303, 365

Index

Material No.	Material description	Page
60370106602	RAIL	235, 303, 365
60370106700	Bearing jack	235, 303, 365
60370106900	distance washer	235, 303, 365
60370107000	Buffer disk	237, 245, 249, 305, 367
60370107100	GUIDE RAIL	275, 313, 375
60370107201	WASHER	425
60370107301	Mini-assembly spacer 42mm	425
60370107401	Spacer	431
60370107502	Spacer 24x15x6	425
60370108700	shaft	235, 303, 365
60370108900	locking slider, compl.	235, 303, 365
60370109701	clamping nut	223, 291, 331, 353, 425, 431
60370110700	bearing bolt	235, 303, 365
60370111500	lever preassy.	231, 233, 265, 267, 269, 299, 301, 339, 341, 361, 363
60370112600	Bearing bushing 90x46	217, 219, 221, 287, 327, 349
60370112800	Felt strip	239, 247, 251, 257, 307, 369
60370113200	Lever preassembled	243, 245, 255, 261, 311, 373
60370114601	BLADE MOTOR SE 12 D RATIO	425
60370115200	Screw M8x20	29, 41, 43
60370115300	Spacer ring	225, 293, 333, 355
60370116100	Pre-cut Shrink Sleeve GR 6.4 - 30	235, 303, 365
60370119401	Rotary knob cpl.	225, 293, 333, 355
60370119501	ROTARY KNOB	227, 229, 293, 297, 333, 337, 355, 359
60370194700	SPACER SLEEVE LONG C	201
60370202400	Guide shaft 12x235	489, 491
60370203203	GUARD PLATE 135,5x230 - transparent	91, 141
60370302100	REAR WALL WIDE	93, 139, 145
60370302101	REAR WALL 150MM	89
60370303700	Handhold 27,5x89,5 M10x35 PA black	23, 25, 27, 29, 31, 49, 51, 53, 55, 57, 85, 87, 89, 91, 93, 121, 123, 139, 141, 173
60370344101	CARRIAGE PLATE WELDED	121
60370344104	Carriage Plate welded 321 mm	125
60370345101	CARRIAGE PLATE WELDED 321 C	121
60370345103	Carriage Plate welded 321 C	131
60370352400	cover plate 25H	121
60370352402	Plate 25 Niro	125, 131
60370401900	Screw	89, 93, 123, 139, 145
60370402001	adhesive foil	89, 93, 123, 139, 145
60370402200	PROTECTIVE PLUG	89, 93, 123, 139, 145
60370403000	bolt	51, 55, 61, 67, 73, 79, 91, 97, 103, 109, 115, 127, 133, 141
60370403800	Pin	51, 55, 63, 69, 75, 81, 91, 99, 105, 111, 117, 129, 135, 141
60370413201	SLIDER PROTECTING DEVICE (GRIVORY)	51, 55
60370413202	Guard plate 134,8x230x8 - black	61, 67, 73, 79, 97, 103, 109, 115, 127, 133
60370501301	VEGETABLE CHUTE 333	457, 459

Index

Material No.	Material description	Page
60370501302	Vegetable Chute 333 - mounted	439, 461
60370501400	TUBE WELDED	459, 463
60370501800	pusher cpl.	439, 457, 459, 461
60370501900	WASHER	459
60370502000	THREADED ROD	459
60370502300	RULER 70MM	465, 469
60370502301	Ruler 70x347	443, 475
60370502500	pin	459, 463
60370502701	STAR KNOB COMPLETE	459
60370502702	Star Knob complete	463
60370502801	TOMATOES FEED	467, 471
60370502802	Remnant holder plate tomatoes guidance	441, 447, 473, 479
60370502900	REMNANT HOLDER PLATE	471
60370502901	Remnant holder plate 188x132	445, 451, 477, 483
60370503000	FIXING PIN	471
60370504002	Carriage foot machined 25 high	29, 41
60370504100	Washer 20x10,2x4	25, 27, 29, 31, 33, 35, 37, 39, 41, 43
60370800201	ADAPTER USA 18/25 H OLD VERSION WITHOUT SHARPENING LIMITER (USA)	399
60370800202	adapter USA 18/25 H	391, 399, 401
60371101601	BEARING BRACKET	231, 265, 267, 299, 339, 361
60371601201	LEVER PREMOUNT.	51, 55, 91, 141
60371601300	Lever preassembled	61, 73, 97, 109, 127
60371603101	SLIDER PROTECTION AND LEVER	49, 51, 85
60371603103	SLIDER PROTECTION AND LEVER	53, 55, 57, 87, 121
60371603500	Slider Protection and Lever	59, 71, 95, 107, 125
60371604102	SLIDER PROTECTION AND LEVER (COLORCOMP)	89, 91, 93, 123, 139, 141
60371616000	GAUGE PLATE PREASS. 18H/25H	211
60371626000	GAUGE PLATE PREASS. 18L/25L	211
60371640100	CARRIAGE PLATE WELDED 150MM	85
60371640101	CARRIAGE PLATE WELDED 150MM	87
60371640103	Carriage plate welded 150mm	95
60371691201	LEVER PRE ASSEMBLED C	55, 141
60371691300	Lever preassembled C	67, 79, 103, 115, 133
60371693103	SLIDER PROTECTION AND LEVER C	53, 55, 57, 87, 121
60371693500	Slider Protection and Lever C	65, 77, 101, 113, 131
60371694102	SLIDER PROTEC TRANSP AND LEVER C	139, 141
60372502101	REAR WALL 321	123
60374000100	LIFT FOOT	189
60374000200	LIFTING DEVICE STOPPER	189
60374000300	LIFT FOOT BLOCK	189
60374000500	ARM DEU	189
60374000600	SHAFT	189
60374000800	LIFTING DEVICE PRE- ASSEMBLED	187, 189
60374600201	Vegetable chute 333 and pusher packed	437, 457
60374700100	Accessories Kit for manually Slicer	419
60374805200	Protection foil 80x80	387

Index

Material No.	Material description	Page
60376201000	Ka. Rd. 3G1,0 2,5m	15
60376202000	Ka. Rd. 3G1,0qmm 2,5m	15
60378012800	BLADE 330 WITH REMOVAL DEVICE	17
60378014302	carriage foot cpl 18L	23, 25
60378014402	carriage foot cpl 18L C	23, 25
60378014502	Carriage foot cpl. 25L	23, 27
60378014602	Carriage foot cpl. 25L C	23, 27
60378014702	CARRIAGE FOOT CPL 25H	23, 29
60378014802	CARRIAGE FOOT CPL 25H C	23, 29
60378014901	CARRIAGE FOOT CPL 25L BR	23, 31
60378016200	CARRIAGE CPL 25TRANSP 150L (OLD INTERLOCK)	83, 89
60378016202	CARRIAGE CPL 25TRANSP 150L (NEW INTERLOCK)	83, 93
60378016300	CARRIAGE CPL 25ALU 1PC 90L (INTERLOCK OLD)	47, 49
60378016302	Carriage cpl 25Alu 1pc 90L	47, 53
60378016402	Carriage cpl 25Alu 1pc 90L C	47, 53
60378016500	CARRIAGE CPL 25ALU 1PC 150L (OLD INTERLOCK)	83, 85
60378016502	Carriage cpl 25Alu 1pc 150L	83, 87
60378016602	Carriage cpl 25Alu 1pc 150L C	83, 87
60378016702	CARRIAGE CPL 25TRANSP 321L	119, 123
60378016802	CARRIAGE CPL 18 TRANSP 150 CE	137, 139
60378016902	CARRIAGE CPL 18 TRANSP 150 C CE	137, 139
60378017702	Carriage cpl 25Alu 1pc 321L CE	119, 121
60378017802	Carriage cpl 25Alu 1pc 321L CE C	119, 121
60378018001	Carriage cpl 25Alu 1pc 90L nh	47, 57
60378018101	Carriage cpl 25Alu 1pc 90L nh C	47, 57
60378018201	Carriage cpl 25Alu 1pc 150L nh	83, 87
60378018301	Carriage cpl 25Alu 1pc 150L nh C	83, 87
60378034201	GAUGE PLATE PREASS. 18L/25L C	211
60378034401	GAUGE PLATE PREASS. 18H/25H C	211
60378044100	RATING PLATE (NEUTRAL), PROVIDE DEVICE NUMBER	387
60378052500	60378052500 001 RULER CPL LONG C (30x12x345MM) (FOR 25L / 25H)	437, 485
60378052600	RULER 70MM CPL	437, 465, 467, 469
60378052601	Ruler 70 mm cpl.	441, 473
60378052700	RULER 70MM CPL C	437, 465, 467, 469
60378052701	Ruler 70 mm cpl. C	447, 479
60378052800	Tomato loading device elox 70mm	437, 467
60378052900	Tomato loading device C 70mm	437, 467
60378054100	Fastening kit product fixation device	489
60380100302	Carriage guide cpl. HD	235, 245, 303, 365
60380100404	Carriage guide preass 330 multi	237, 245, 247, 249, 305, 367
60380100606	Carriage guide 330 machined	247
60380100607	Carriage guide 330 GSP machined	239, 251, 257, 307, 369
60380101500	nut plate	225, 293, 333, 355
60380101701	BEARING BRACKET PREASSY.	225, 265, 293, 333, 355
60380102301	FISH PLATE	275, 313, 375
60380107601	Deflector 330 plastic GSP Co BEKUMA	203
60380107802	Supporter	201, 203

Index

Material No.	Material description	Page
60380107901	Bearing bolt	203
60380108002	Excentric washer	203
60380108301	Spacer preassembled	203
60380108402	Spacer	203, 207
60380108502	Support bracket	203, 207, 209
60380108600	Washer	203
60380197800	Supporter C	201, 203
60380198301	Spacer preassembled C	203
60380198401	Adapter C	203, 209
60380205800	SLIDE PIN	443, 449, 453, 465, 469, 475, 481, 485
60380300005	CARRIAGE DRIVE SE12D RATIO NOT INSULATED	425, 427
60380302402	DISK	427
60380302900	WASHER	427
60380303001	Axle 50x37,8	427, 433
60380303102	Bush	427, 433
60380303502	PLATE	275, 321, 383
60380303600	SHIM	187, 435
60380303903	CARRIER	427
60380304500	CARRIAGE MOTOR SE12D RATIO	427
60380306201	BELT PULLEY 2 COMPL. HTD 5M	427
60380306401	Bearing 3 complete	427
60380306701	BELT PULLEY 3 CPL HTD 5M	427
60380306702	Belt pulley cmpl. 3 HTD 5M	433
60380307001	BEARING PEDESTAL	427
60380307101	Shaft 83,5x20	427
60380311201	BOLT	275, 321, 383
60380311501	spacer	275, 313, 321, 375, 383
60380312201	BASE PLATE	275, 313, 375
60380312301	BOLT	275, 321, 383
60380313900	SILICON TUBE 900 MM	273, 281, 317, 343, 379
60380314001	HOUSING PREASSEMBLED	313, 315, 375, 377
60380314112	HOUSING PREASS. WITHOUT DEC. FOIL	271, 273
60380314501	SPACER	277, 279, 313, 375
60380314801	PROTECTIVE CONDUCTOR BUSHING	271, 315, 377
60380315000	HOUSING PREASS. WITHOUT DEC. FOIL ILLU	271, 273
60380315100	Nut plate	235, 303, 365
60380315605	HOUSING GREY	273, 317, 379
60380315703	BOTTOM PLATE GREY	271, 275, 277, 279, 289, 313, 329, 351, 375
60380315801	Rubber Bush	277, 279
60380340102	MACHINE HOUSING RAISED LIP BR	191, 215, 285, 325, 347
60380344100	HOUSING PREASS. BR WITHOUT DECORATIVE F.	315, 317, 377, 379
60380346601	CARRIER SHEET	319, 381
60380346701	CAP RAIL ANGLED	319, 381
60380346800	CAP RAIL FOR SMALL CONTACTORS	319, 381
60380346900	CAPTIVE	319, 381
60380400600	Bearing, front	143

Index

Material No.	Material description	Page
60380400803	bearing behind	143
60380400900	Guide axle 10x219,5	143
60380401100	Stop 18L	143
60380401200	Guide, preas.	143, 147
60380401400	GUIDE	147
60380401500	ARM	147
60380401600	THREADED BOLT	147
60380401700	SPRING BOLT	147
60380402001	PRODUCT FIXATION DEVICE ASSEMBLED	487
60380402101	Slider	487
60380402200	Slide pin 3,15x6 K	455, 487
60380402301	Product Fixation Device	487
60380402400	Protection plate 18	139, 145
60380411701	Remnant holder peaks below black cpl.	177
60380490600	Bearing front C	143
60380490803	Bearing behind C	143
60380491200	Guide preassembled C	143, 147
60380491400	GUIDE C	147
60381160800	BLADE GUARD RING PREAS. 25H	205
60381180800	BLADE GUARD RING PREAS. 18/25L	205
60381180900	BLADE GUARD RING GSP HD 18L	205
60381190800	BLADE GUARD RING PREAS. 18/25L C	205
60381190900	BLADE GUARD RING GSP HD C 18/25L	205
60381191800	BLADE GUARD RING PREAS. 25H C	205
60381191900	BLADE GUARD RING GSPHD 25H C	205
60381600101	MACHINE HOUSING RAISED LIP	191, 215, 285, 325, 347
60381690101	MACHINE HOUSING RAISED LIP C	191, 215, 285, 325, 347
60381800601	PRODUCT FIXATION CPL (346MM)	437, 455
60381800701	Ruler welded	455
60381801000	Slider	455
60381801400	THREAD BOLT (30MM)	459
60381801600	THREAD BOLT (50MM)	459
60381802002	RULER CPL. SHORT	437, 453
60381802101	ruler	453
60381892002	RULER CPL. SHORT C	437, 453
60381892101	Ruler C	453
60384102101	SENSOR SUPPORT	235, 275
60384112500	Clamping Plug	247, 303, 365
60384112602	INSULATING PLATE, ONLY BY INSULATED	427
60384130004	CARRIAGE DRIVE SE12D RATIO/ INSULATED	425, 427
60384143100	SENSOR SUPPORT	303, 365
60384809100	NAMEPLATE GSP IBERO D 220 PROVIDE DEVICE NUMBER	387
60384809200	NAMEPLATE GSP IBERO D 230 PROVIDE DEVICE NUMBER	387
60384809300	NAMEPLATE GSP IBERO D 120 PROVIDE DEVICE NUMBER	387
60384809403	NAMEPLATE GSP HD BRASIL	387
60384870100	LABEL CABELING GSP HD SE 12 D	385
60385110150	PCBA HMI SE12D	273, 317, 379
60386100301	SWITCH S870+L500 03L1R032	225, 265, 293, 333, 355

Index

Material No.	Material description	Page
60386102001	CABLE CPU- ON/OFF SE12 D	273
60386103000	KA FL 8X1,27 0,31M	271, 315, 377
60386103100	SENSOR ENDPOS SE12D	235, 303, 365
60386120100	Ka Li GN/YE AWG16 0,13m	271, 315, 377
60386200100	Power Cable Plugtype I 3x1,00 GY 2,5m	15
60386400403	DECO FOIL	273, 281, 343, 495
60386400600	DECO FOIL FRA	273, 495
60387081103	CPU- PFC- DRIVE- GSP HD CPL.	385
60387090165	CPU- PFC- DRIVE- GSP HD ILLUMINATION CPL.	385
60388008100	ARMOURED MAINS CABLE AC EURO L = 2.5M	15
60388017102	MOUNTING CARRIAGE CPL 18 TRANSP 150 CE	137, 143
60388017202	MOUNTING CARRIAGE CPL 18 TRANSP 150 CE C	137, 143
60388024100	RUBBERFEET STANDARD	185
60388024300	LIFTING LEVER WITH RUBBERFEET BRAZIL	187
60388026100	MACHINE HOUSING RAISED LIP CPL.	191
60388026200	MACHINE HOUSING RAISED LIP C CPL.	191
60388026301	MACHINE HOUSING RAISED LIP CPL. BR	191
60388030100	BLADE GUARD RING AL 33- 18L/25L	199
60388030200	BLADE GUARD RING AL 33- 18L/25L C	199
60388030300	BLADE GUARD RING AL 33- 18H/25H	199
60388030400	BLADE GUARD RING AL 33- 18H/25H C	199
60388036101	BASIC PART GSP HD STANDARD	213
60388036201	BASIC COMPONENTS GSP HD BR	283, 323, 345
60388036300	BASIC PART GSP HD ILLUMINATION	213
60388038100	CIRCUIT GSP HD 100V- 240V/50HZ/60HZ	385
60388038301	CIRCUIT GSP HD 100V- 240V/50HZ/60HZ BR	385
60388038401	CIRCUIT GSP HD 100V- 240V/50HZ/60HZ ILLU	385
60388050101	PACKAGING GSP- HD CPL. 25L (BRAZIL)	423
60388050201	PACKAGING GSP- HD CPL. 0/18L	423
60388050301	PACKAGING GSP- HD CPL. 25H	423
60388051100	DRIVE GSP- H D ELECTR. INSULATED	425
60388051200	DRIVE GSP- H D NOT ELECTR. INSULATED	425
60388053100	PRODUCT FIXATION (FOR CLAMPING CARRIAGE)	437, 487
60510100053	HEXAGON SETSCREW M 6X7X9	189, 435
60530106000	Blade 330 Cr 2xM6 G&B	17
60530200028	THREADED BUSHING	145
60530300066	felt ring	239, 247, 251, 257, 307, 369
60530300067	WASHER 26	247
60540271900	Magnet Vacodym 370 LC round 10X4	239, 247, 251, 257, 307, 369
60544808100	REFERENCE PLATE "DO NOT CLEAN WITH HOSE"	215, 285, 313, 325, 347, 375
60566227900	Ca Rd 2x0,75qmm 1,0m	319, 381
60610000400	rubber foot	185, 187
60610300019	THRUST WASHER 13,8X8,2X0,18	203
60800105000	WASHER 8,2 X 13,8 X 0,8	235, 303, 365
60800108400	BRACKET HANDLE 100XM5	195, 197
60800116900	Bizerba character font	215, 285, 325, 347
60800198400	Bracket handle C 100 x 32 x 10	195, 197
60800204600	Star knob with bolt	29

Index

Material No.	Material description	Page
60800204601	star knob with bolt short	29, 41, 43
60804801200	Reference plate "Sharpen and lube daily"	495
60804803400	REFERENCE PLATE "AIGUISAGE ET LUBRIFIC."	495
60806200200	MAINS CABLE WE DNK	15
60810107611	Sealing	201
60820315800	rubber bushing	289, 313, 329, 351, 375
60836200600	POWER CORD AUS AND NZ	15
65016000132	Washer DIN125-A-8-PA6	19, 21
65019999937	Hexagon Screw DIN 933-M5x6-A2-70	319, 381
67501163700	REFERENCE PLATE "WARNING INSTRUCTIONS"	495
71004310000	Cabel Tie T18R	227, 319, 381, 495
71010810000	Cable Gland M12x1,5 UL	273, 281, 317, 343, 379
71010820000	Cable Gland M16 UL 53111010	273, 289, 317, 329, 351, 379
71011000000	Cable Gland STR-M12 UL 53111100	273
71011620000	Cable Gland ST11 UL53015020	273, 281, 317, 343, 379
71027210000	MAIN KEY OFF	273, 317, 379
71027230000	MAIN KEY ON	273, 317, 379
71037490000	FERRIT RING 7427013	15
71066120000	Screw Plug BLK-M12 71066120000	273, 281, 317, 343, 379
71066170000	Blind plug BLK- M16	273
71161110000	Nut PG 11 DIN 46320 CuZn39Pb3	273, 281, 317, 343, 379
71162150000	Nut M12x1.5	273, 281, 317, 343, 379
71162160000	Nut M16x1.5	273, 281, 317, 343, 379
71162200000	Nut M20x1.5	273, 281, 343
71217390000	Off/Emergency-Switch red yellow	289, 329, 351
71452440000	FUSE ELEMENT T 3.15 UL	385
71506680000	POWER SUPPLY UNIT 24VDC/0.75A	319, 381
71960100000	KEY CAP FOR SMS- PUSHBUTTON	273, 317, 379
77287320000	Clamping Brackets SK 35	319, 381
94001000013	BLADE, 4- HOLE, VS8/SE8/VF330/A330/A400 RA	17, 215, 285, 325, 347
94001000017	BLADE CHEESE, VS8/SE8/VF330/A330 G+B.	17, 215, 285, 325, 347
94001000059	Bread blade 330 C teathed Service	17, 215, 285, 325, 347
94008908076	GREASE PARALIQ GA343 H1 25ML	51, 55, 91, 141, 149, 219, 407, 419
95900601030	Machinery oil H1 30ml	421
95943850002	UHU- PLUS ENDFEST 300	419
95972660002	LOCTITE 326 50ML	419
95972670002	LOCTITE 7091 1000ML	419
95972710002	SICOMET 50 50G	277, 279, 313, 375, 419
95972810002	Roccasol 220 SI / 310ml	419
95972840000	LOCTITE 648 10M	19, 49, 53, 57, 85, 87, 89, 93, 121, 123, 139, 145, 147, 149, 151, 153, 205, 227, 247, 277, 279, 289, 295, 313, 319, 329, 335, 351, 357, 375, 381, 399, 407, 411, 419, 459, 471
95972840002	Kleber Loctite 648 10ml. 95972840002_I	21, 463
95972870002	Loctite 638 95972870002	239, 251, 257, 307, 369
95972940000	LOCTITE 243 10ML	17, 25, 27, 29, 31, 51, 55, 91

Index

Material No.	Material description	Page
95972940000	LOCTITE 243 10ML	141, 147, 149, 151, 189, 195, 197, 201, 203, 205, 215, 219, 223, 235, 245, 247, 271, 275, 285, 291, 303, 313, 315, 319, 321, 325, 331, 347, 353, 365, 375, 377, 381, 383, 419, 425, 427, 435, 453, 455, 465, 469, 485, 487, 489
95972950002	Loctite 243 50 ml 95972950002	61, 63, 67, 69, 73, 75, 79, 81, 97, 99, 103, 105, 109, 111, 115, 117, 127, 129, 133, 135, 157, 159, 163, 165, 169, 171, 217, 221, 239, 241, 243, 251, 253, 255, 257, 259, 261, 263, 287, 307, 309, 311, 327, 349, 369, 371, 373, 433, 443, 449, 33, 35, 37, 39, 41, 43, 475, 481, 491
95972960002	Loctite 7649 500ml	431, 443, 449, 475, 481
95972990002	Loctite 290	25, 27, 29, 31, 33, 35, 37, 39, 41, 43, 247, 419
95973900000	LOCTITE 638 10ML 142619	205, 419
96055040001	Grease Isoflex Topas NB 5051	239, 251, 257, 307, 369, 419
96055050000	Lubricating Oil F.L.5 Oil UH1	419
96055070000	Grease PARALIQ GA 343	61, 67, 73, 79, 97, 103, 109, 115, 127, 133, 157, 163, 393, 397, 403, 405, 409, 415, 417
96055080000	Kluebersynth UH1 64-62/25kg	147, 203, 247, 419