

Spare parts list No.:081.98.3.1000
Series (Code No.): 90.012
Amendment 12/99

Precision slicer VS 12 F / VS 12 F-P

Contents

Text page

Grooved cam, rotary knob, bearing bracket, supporting rail	1 - 2
Carriage guide, carriage shaft, blade bearing, guard ring, deflector	3 - 7
Meat carriage	8 - 9
Clamping carriage	10 - 12
Armoured mains cable, motor, switch, blade, gauge plate, accessories, blade	13 - 14
Sharpener	15
Operating instructions, reference plate, conversion kit product fixation, blade	16 - 17
Last page of drawings ..	17
Last text page	17

VS 12 F



VS 12 F-P

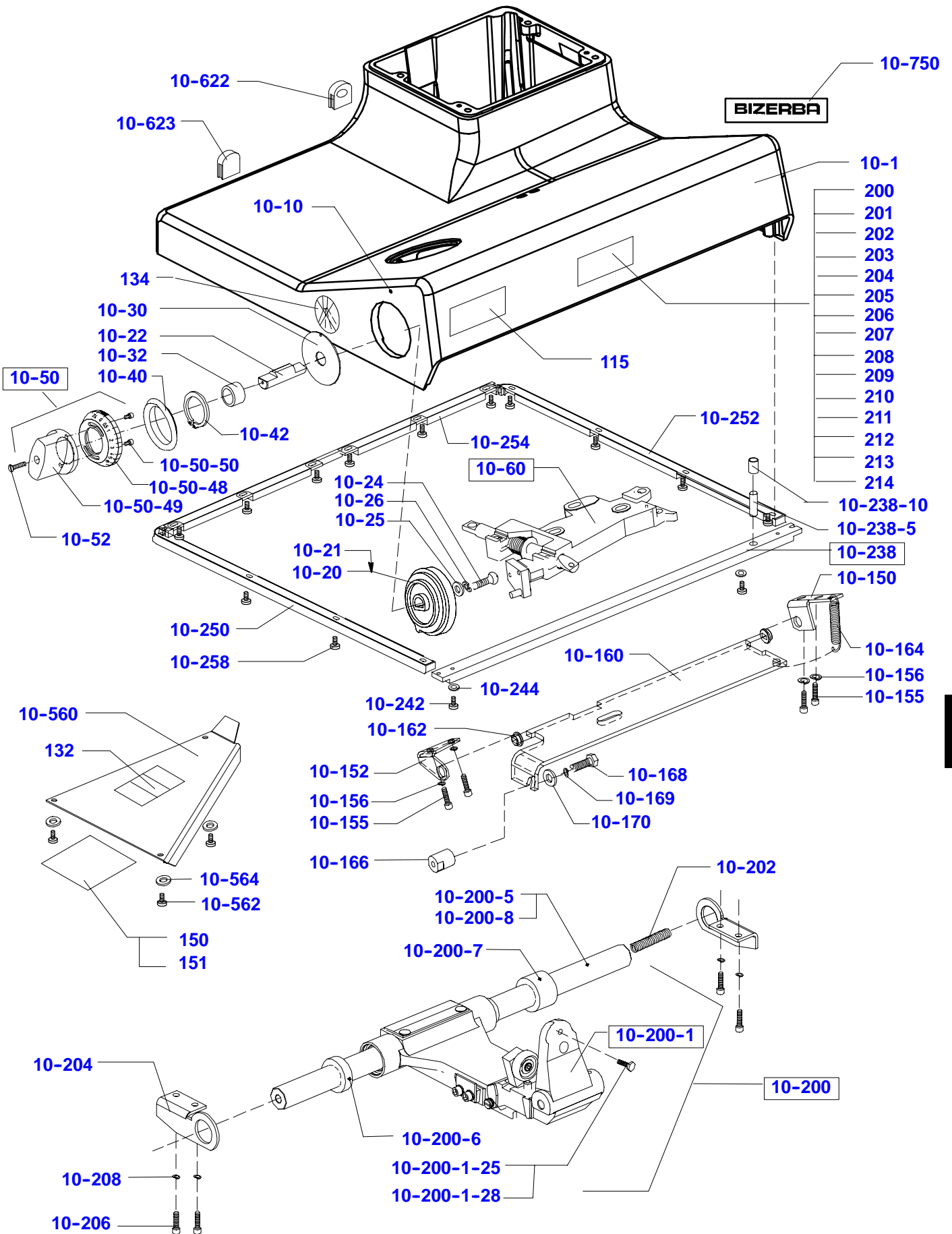


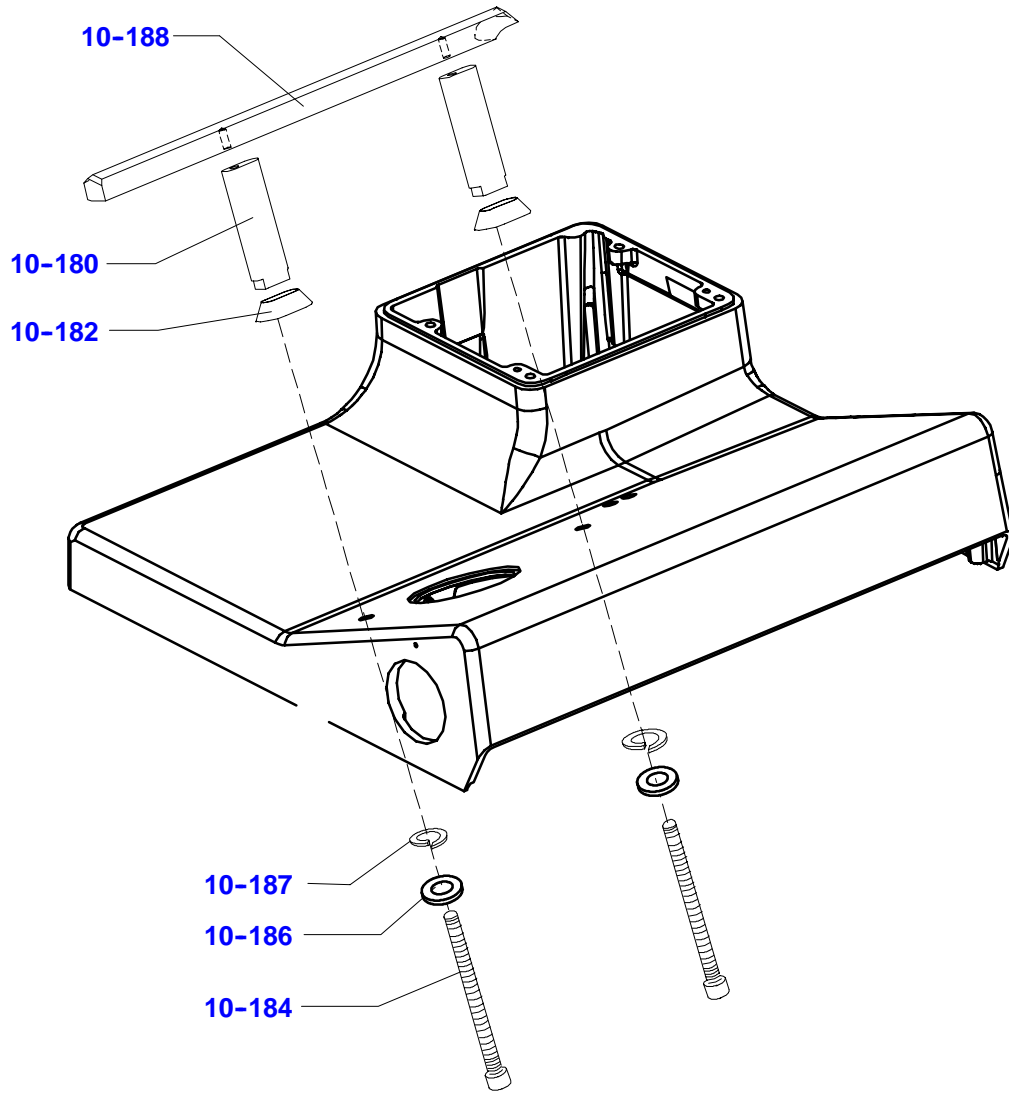
Bitte unbedingt 11 stellige **Bestell-Nr.** angeben
Please always indicate 11 digit **Order No.**
Absolument nécessaire d'indiquer **No.de commande** (11 chiffres)
Favorisca specificarci sempre il **N. di ordine** a 11 cifre
Es imprescindible que citen el **No. de pedido** (11 guarismos)

Bizerba GmbH & Co. KG, Postfach 10 01 64, 72301 Balingen/Germany, Tel. (0 74 33) 12-0, Fax G3 (0 74 33) 12-29 33
E-mail: service@bizerba.de Internet: <http://www.bizerba.com>

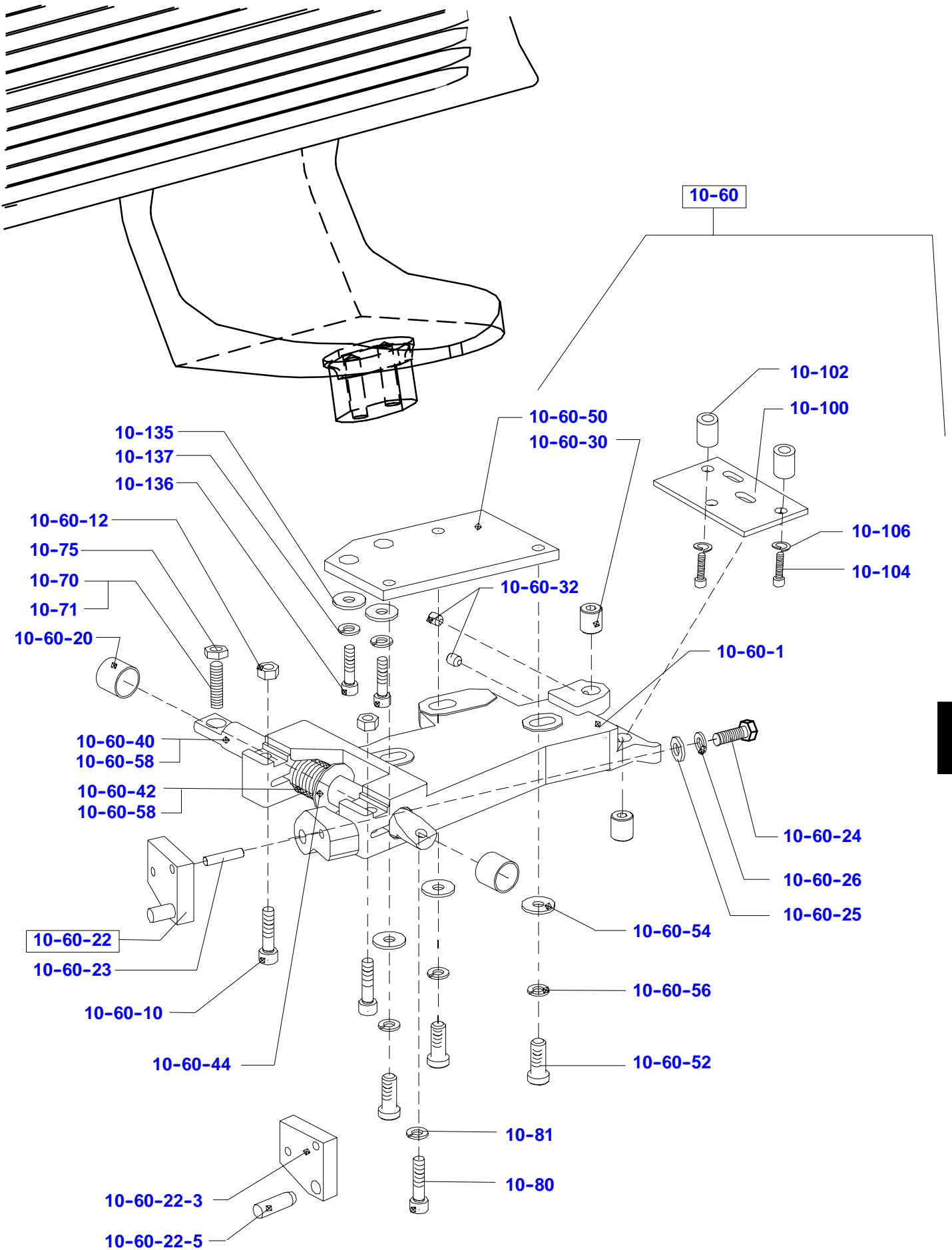
Bitte unbedingt 11 stellige **Bestell-Nr.** angeben
Please always indicate 11 digit **Order No.**
Absolument nécessaire d'indiquer **No.de commande** (11 chiffres)
Favorisca specificarci sempre il **N. di ordine** a 11 cifre
Es imprescindible que citen el **No. de pedido** (11 guarismos)

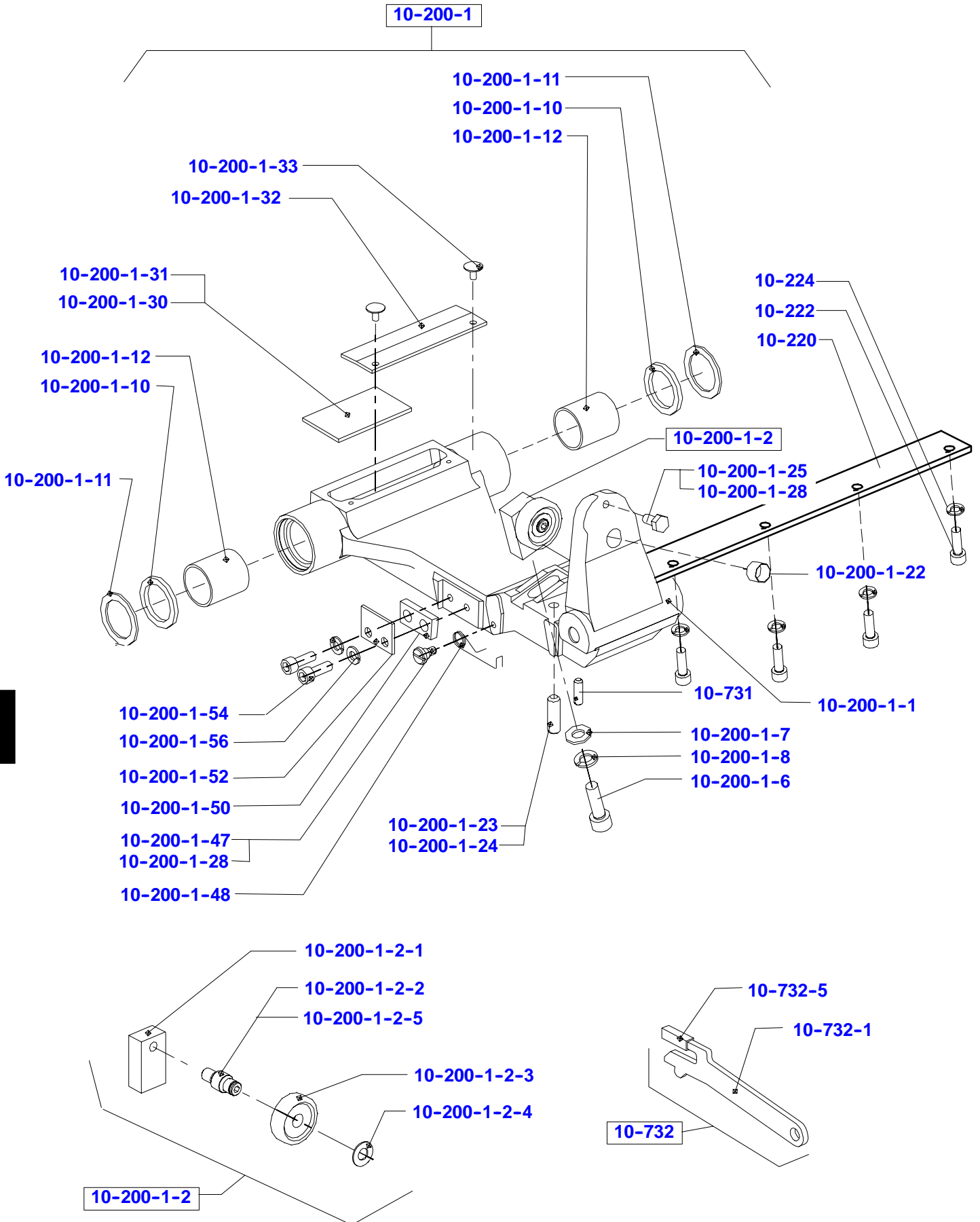
Bizerba GmbH & Co. KG, Postfach 10 01 64, 72301 Balingen/Germany, Tel. (0 74 33) 12-0, Fax G3 (0 74 33) 12-29 33
E-mail: service@bizerba.de Internet: <http://www.bizerba.com>



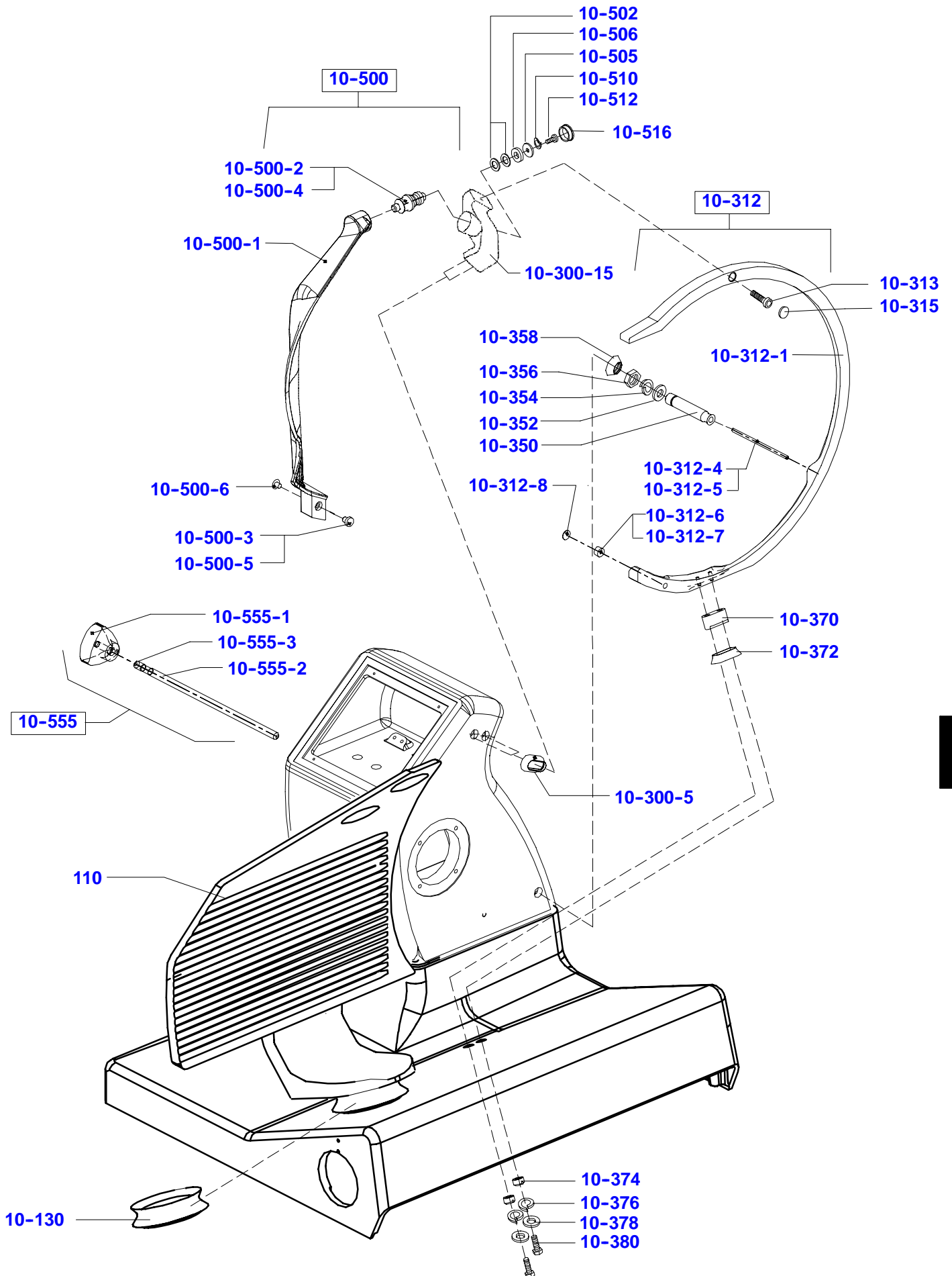


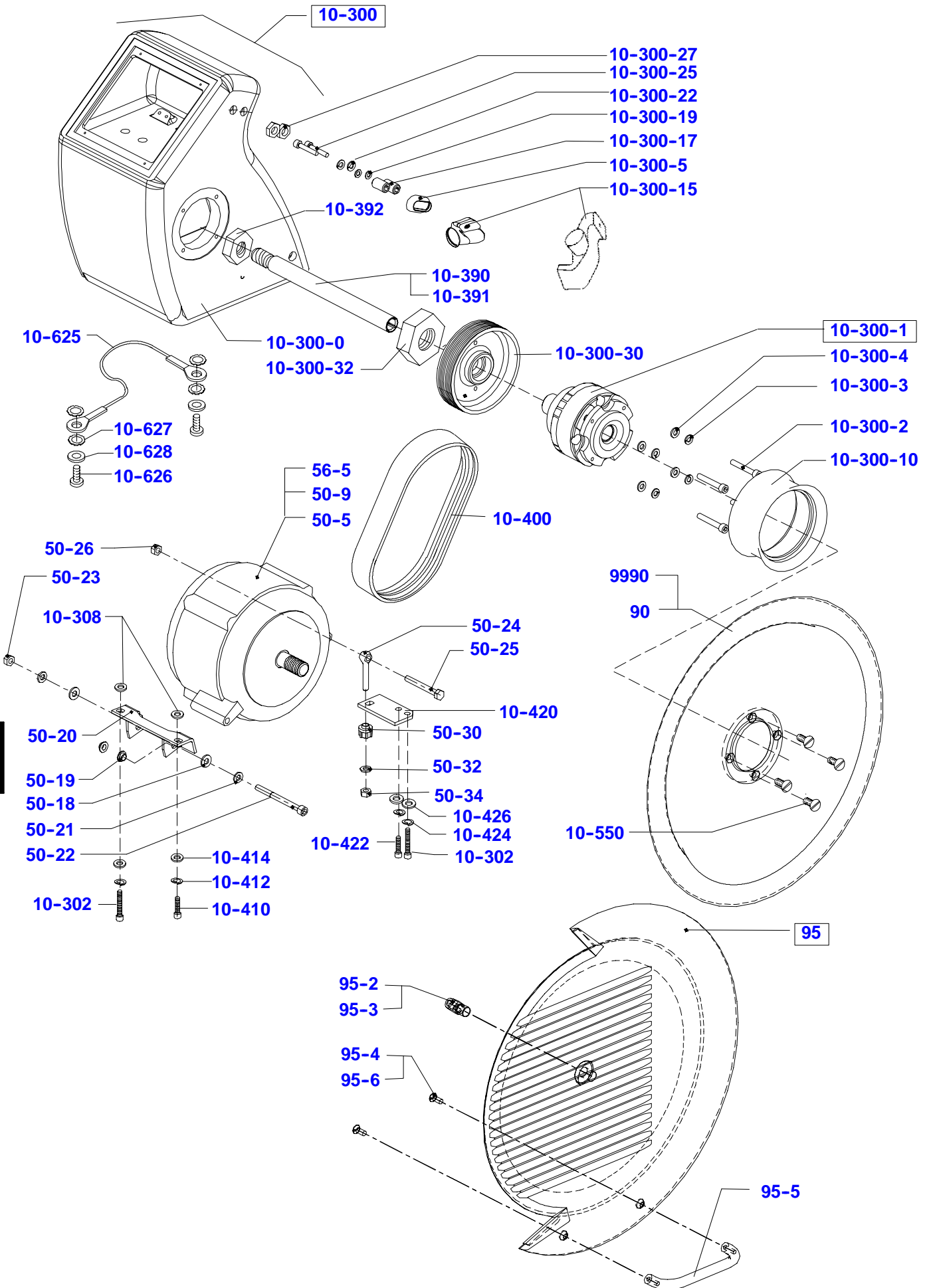
4



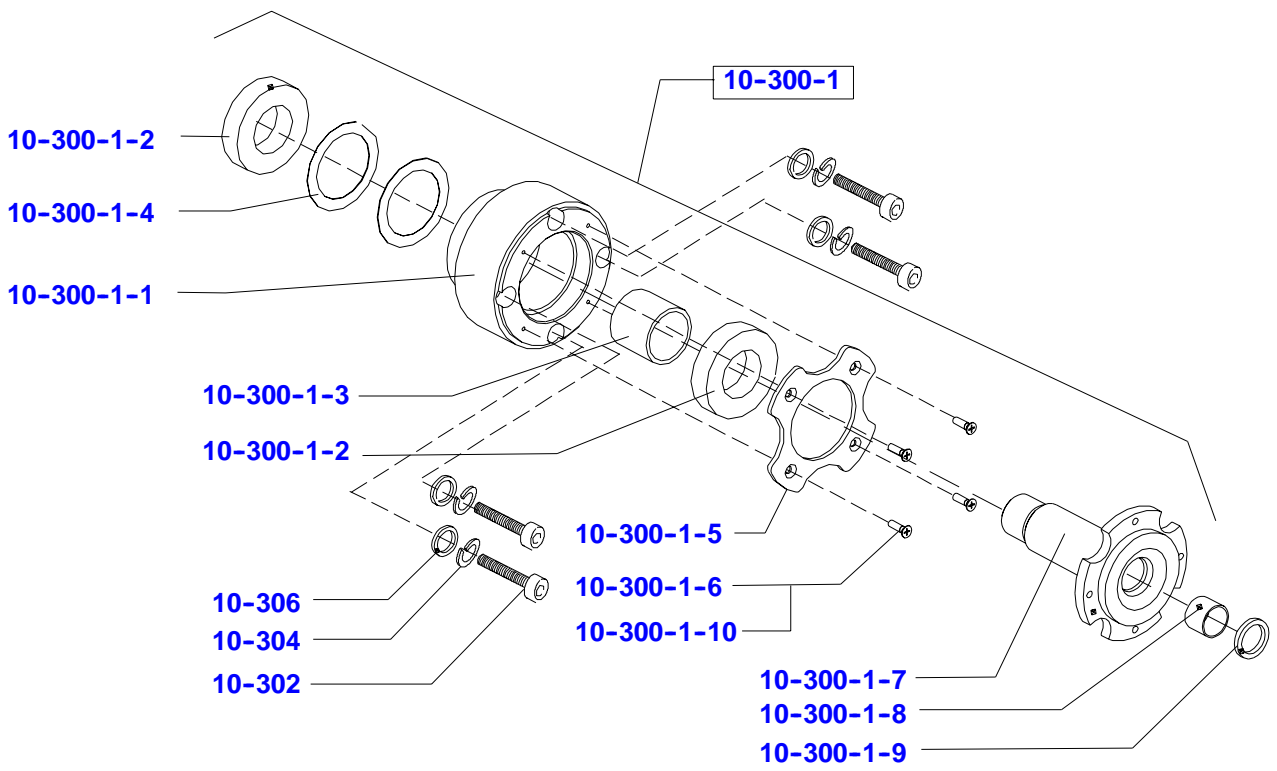


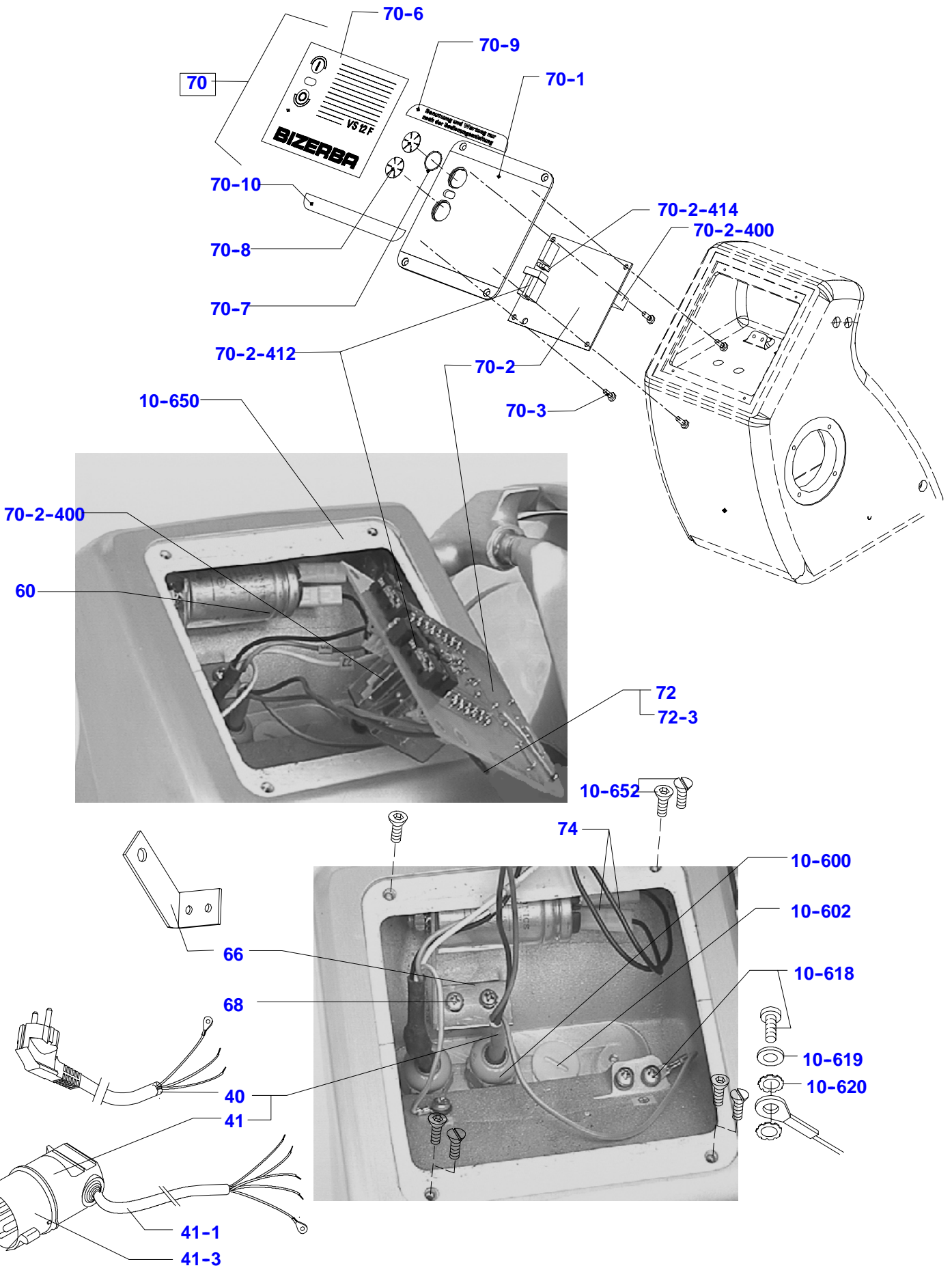
4



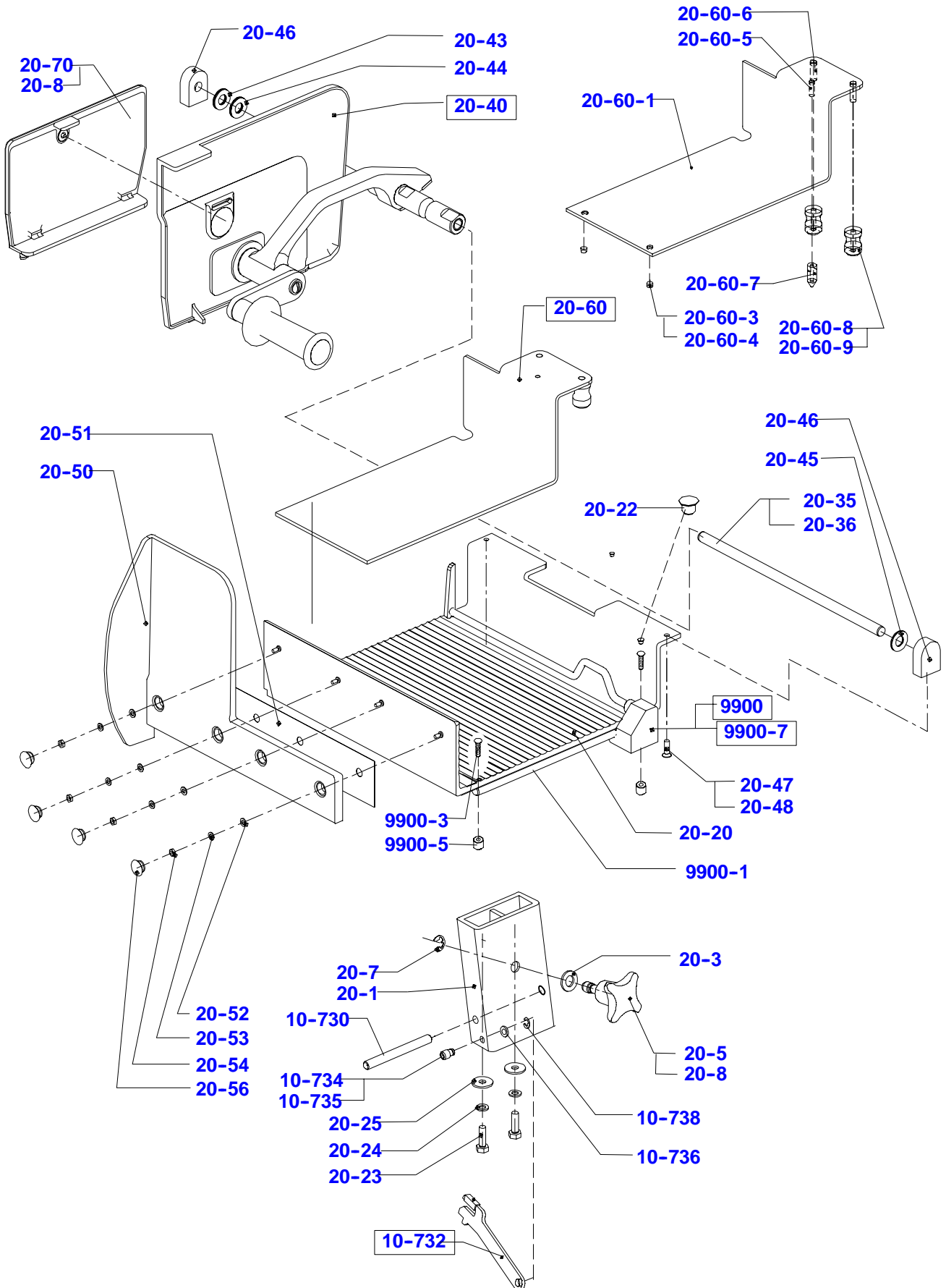


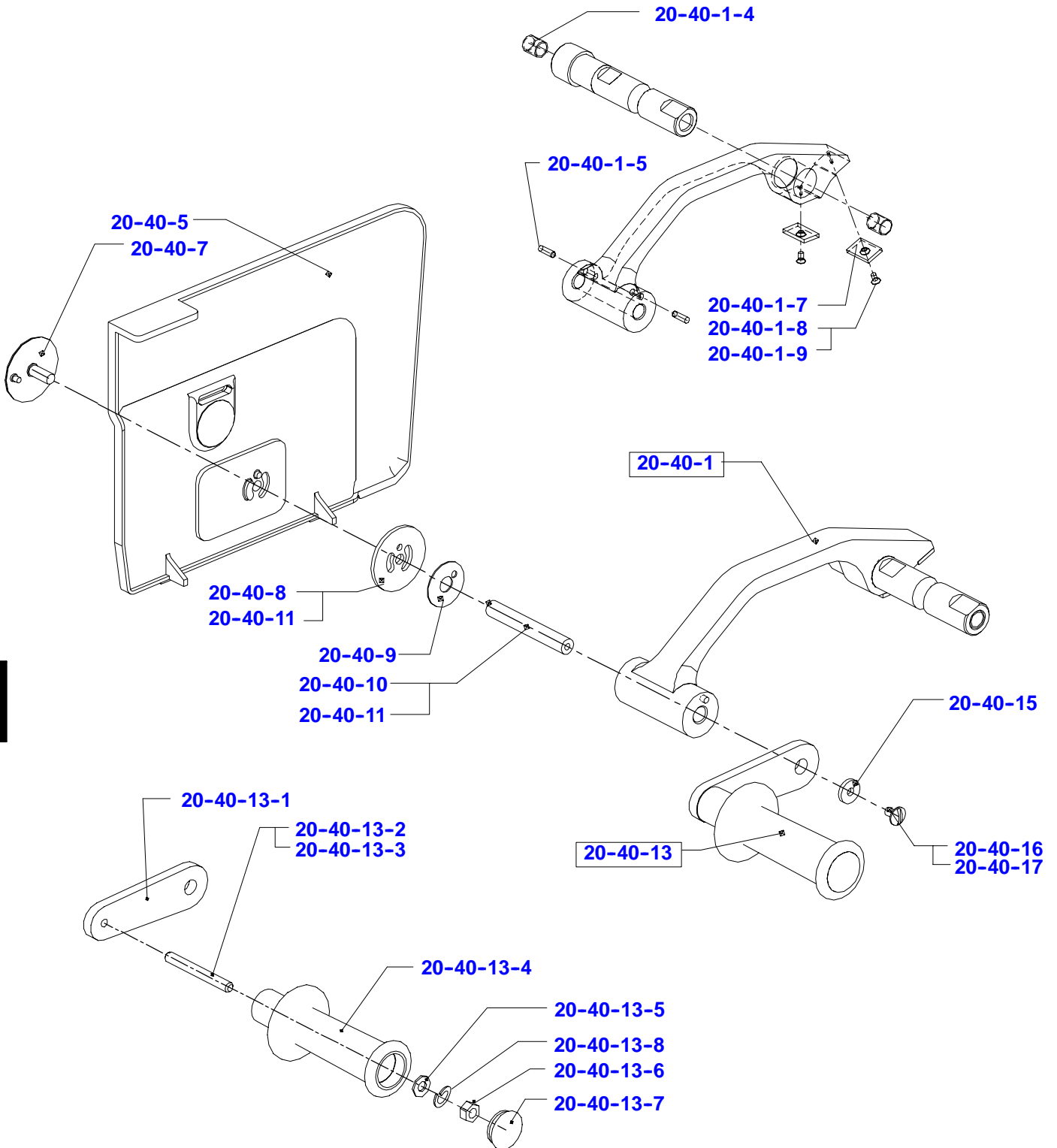
4



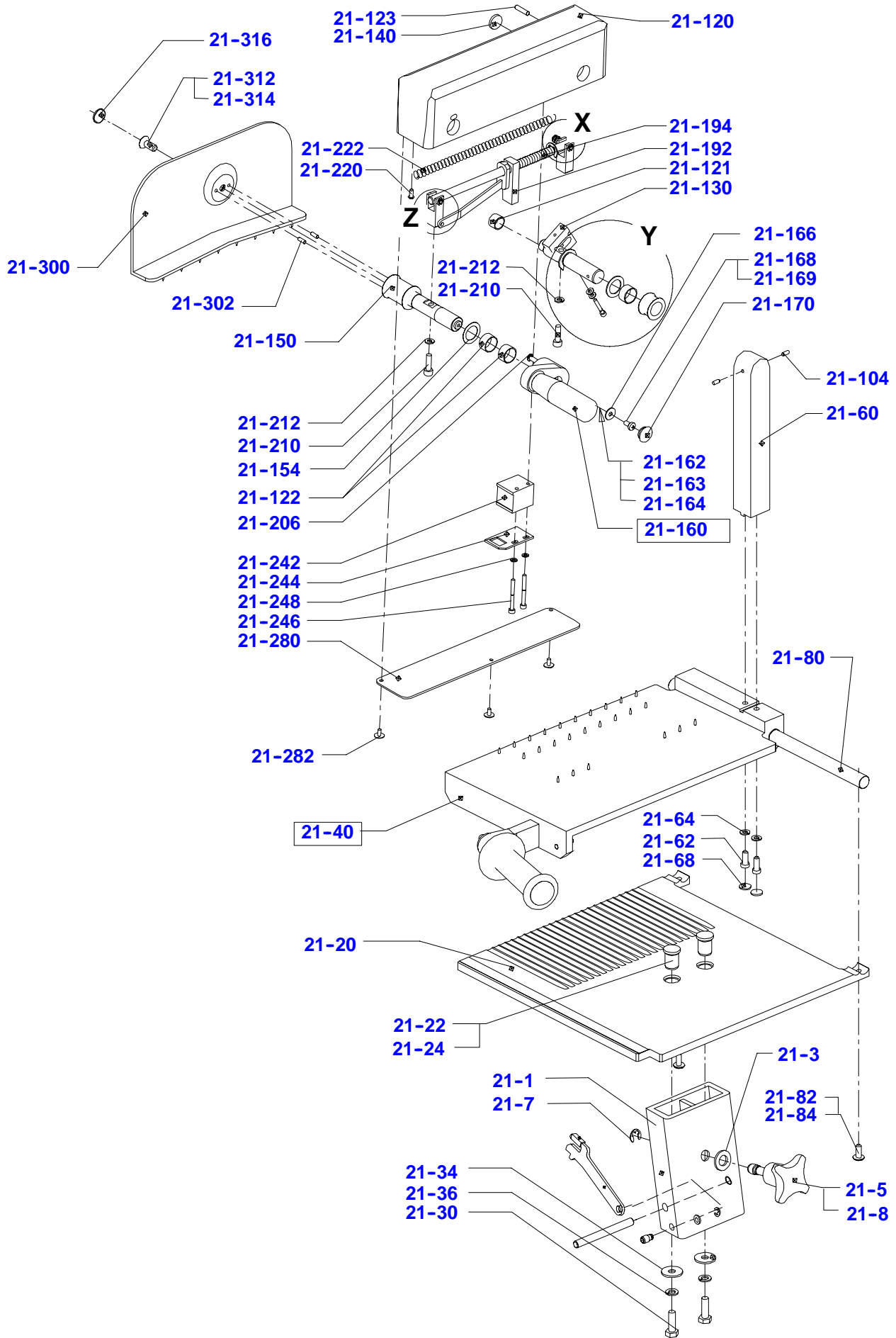


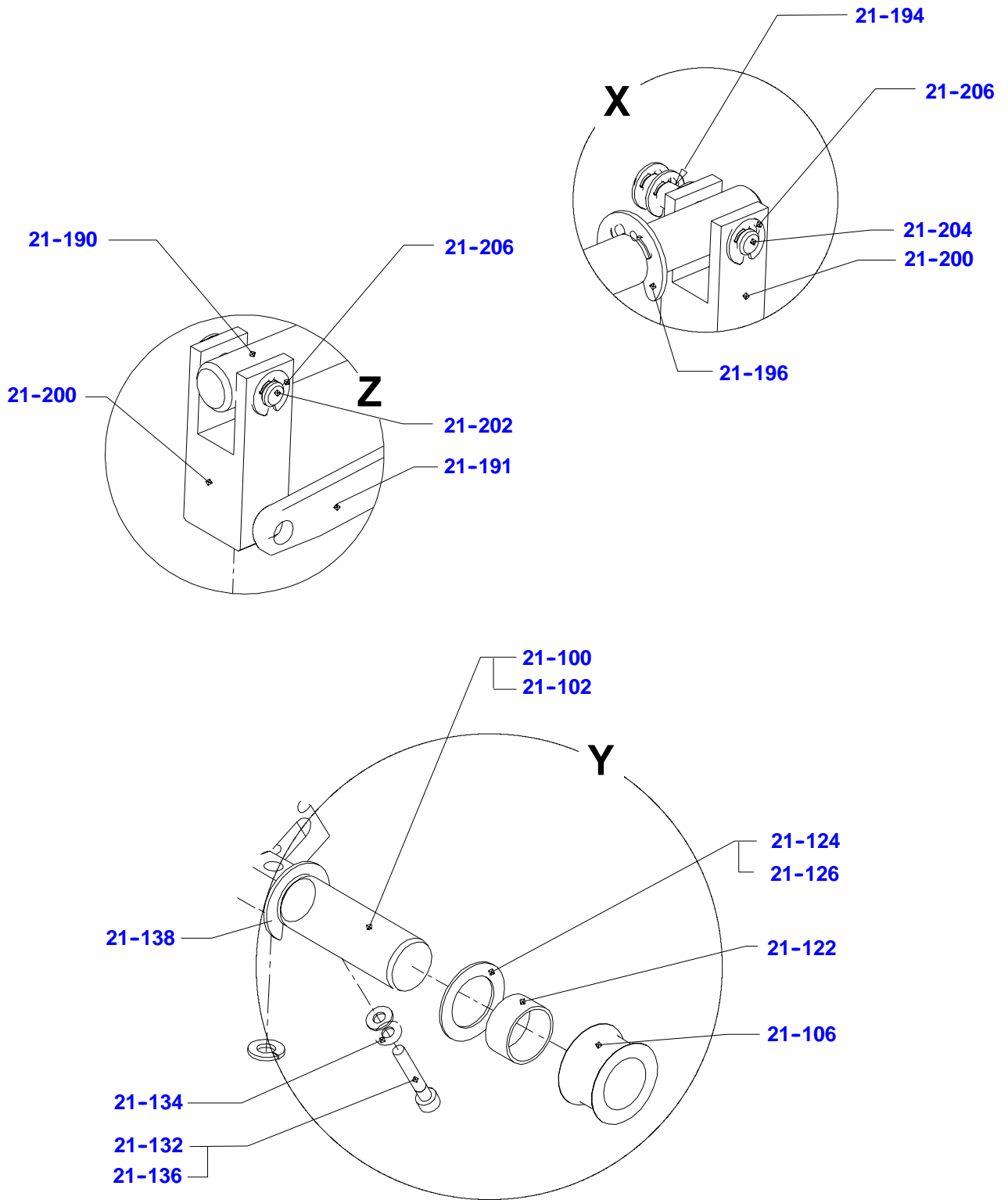
4

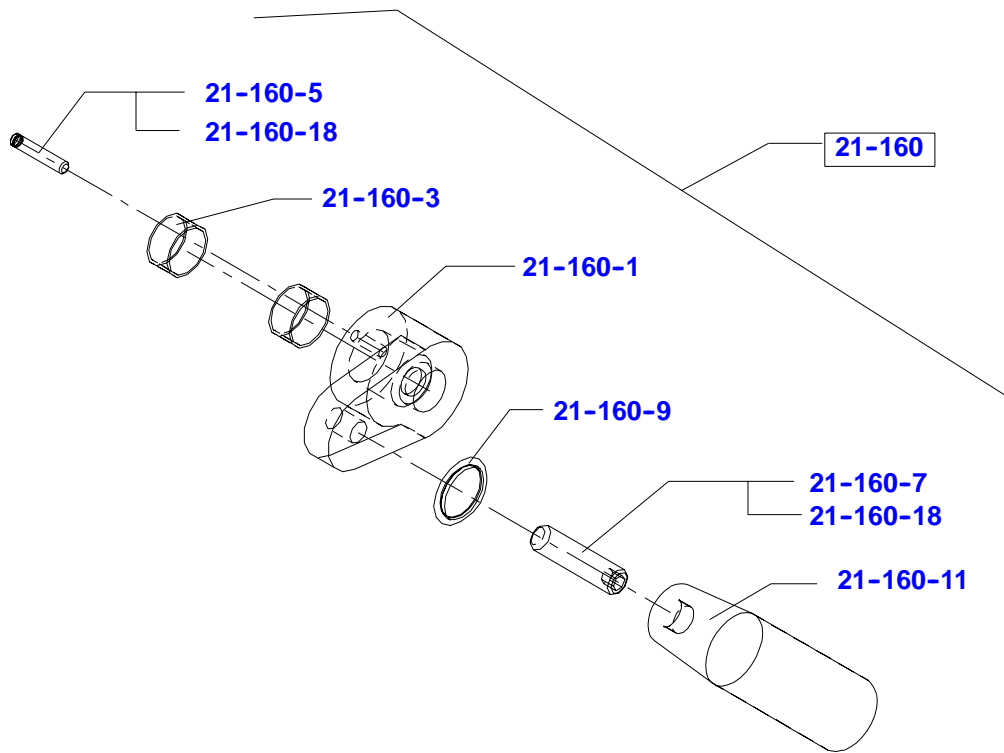


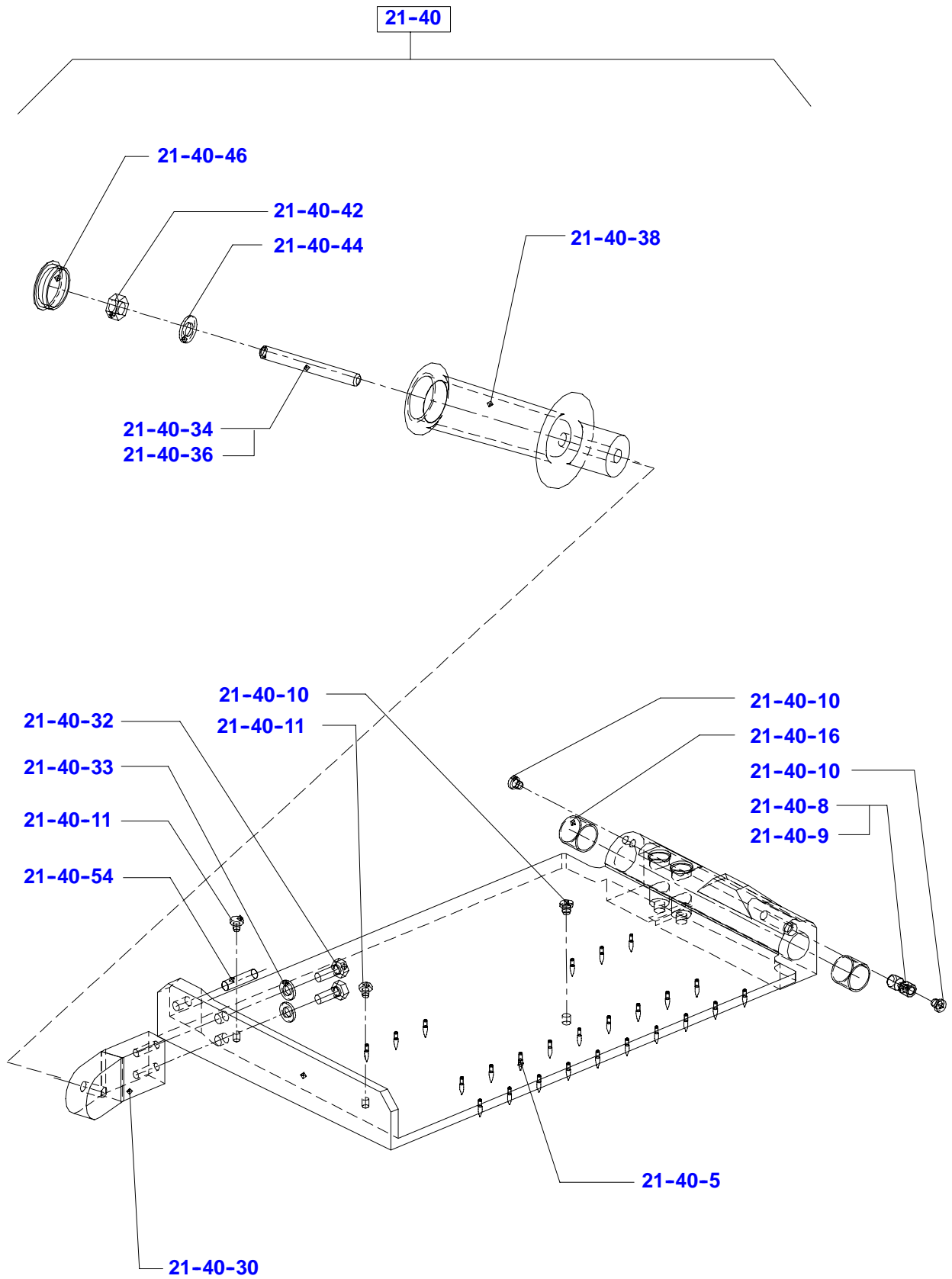


4

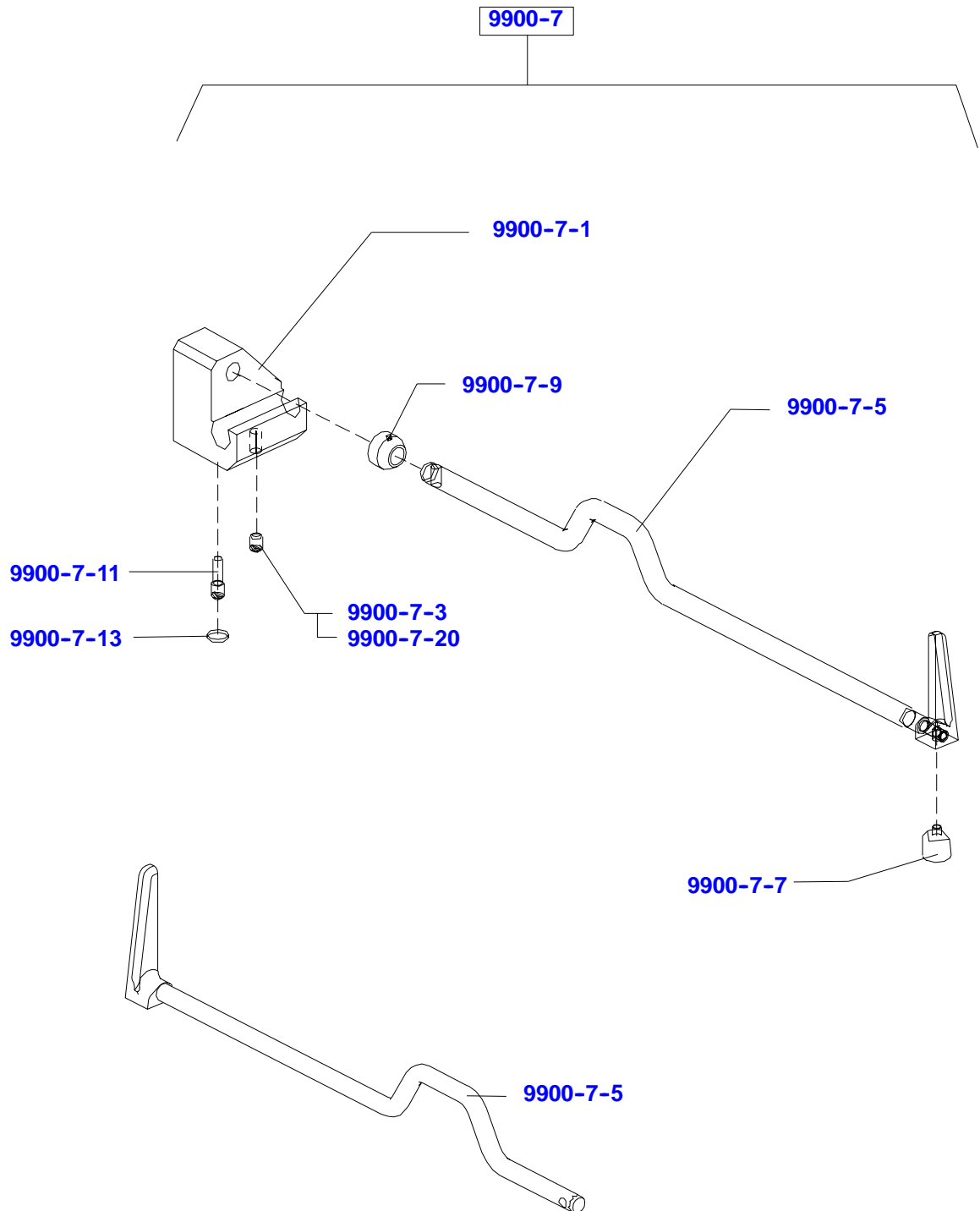


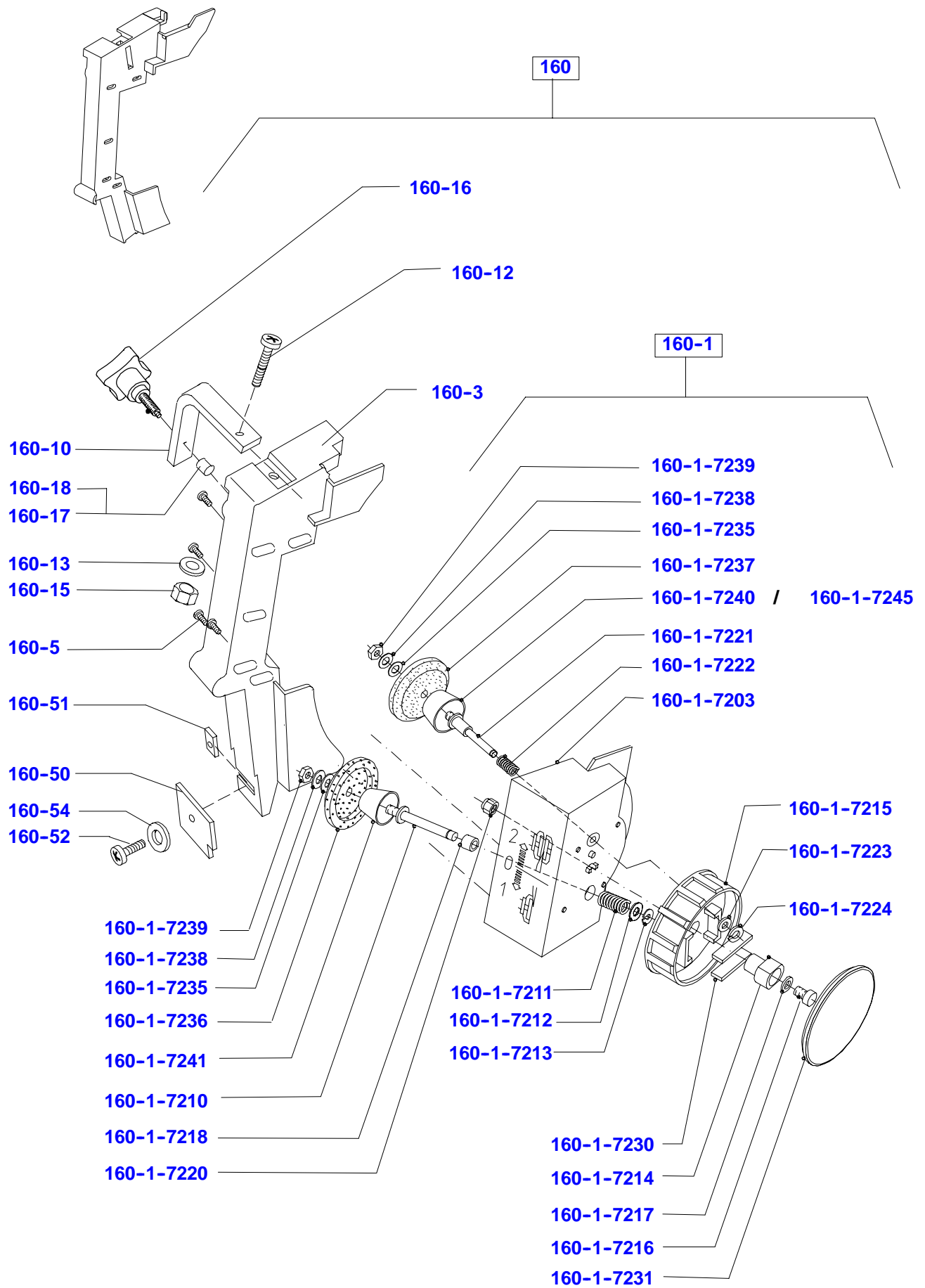




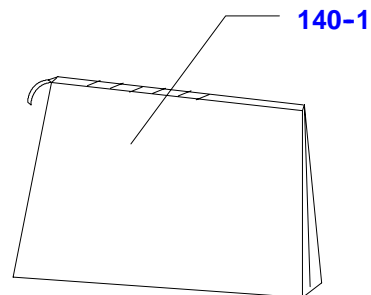
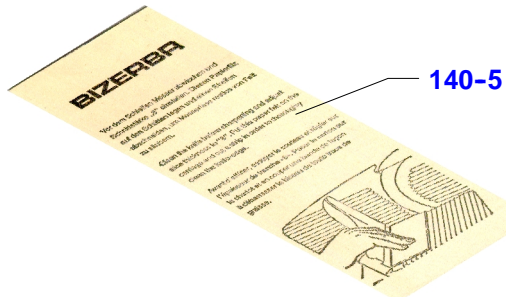
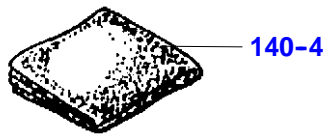
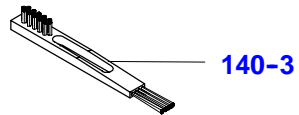
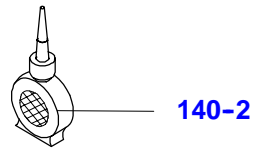
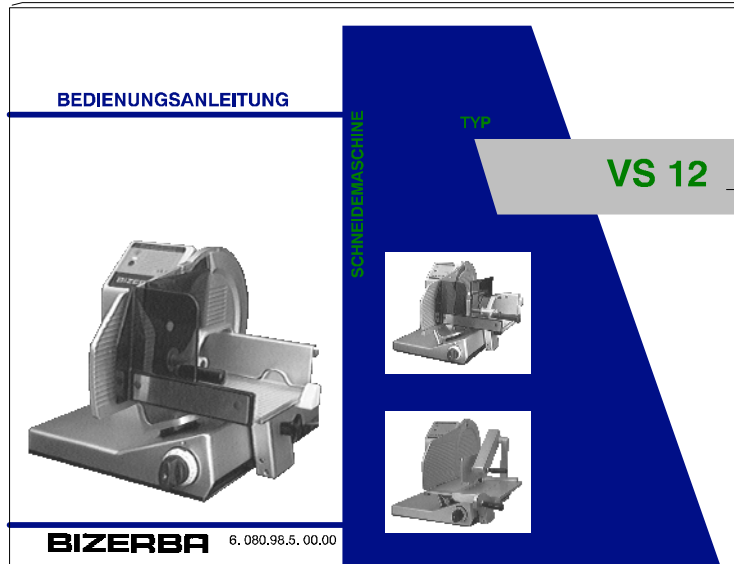


4





4



drawingpage 18	VS 12 F	Spare parts list No. 081.98.3.1000	Device series (code No.) 90.012
-------------------	----------------	---------------------------------------	------------------------------------

Device series (code No.) 90.012	Spare parts list No. 081.98.3.1000	Lang. E	VS 12 F	Textpage 1
------------------------------------	---------------------------------------	------------	----------------	---------------

No. in drawing	Order No.	Pcs.	Designation	From status.. onwards
X	X	X	X	X
10			SLICER COMPL.	001
10-1	60810100202	001	MACHINE HOUSING	001
10-10	56269330000	001	ROUND-HEADED NOTCHED NAIL 3X6	000
10-20	60800105601	001	GROOVED CAM	000
10-21	96055040000	000	OIL ISOFLEX TOPAS NB 5051	000
10-22	60800105701	001	ROTARY KNOB SHAFT	001
10-24	56805530000	001	OVAL-HEAD SCREW M 5X12	000
10-25	56740050000	001	WASHER A 5.3	000
10-26	57766050000	001	SPRING WASHER A 5	000
10-30	60370105801	001	WASHER	001
10-32	57920040000	001	SETTING RING A18 PIN DIN 916	000
10-40	60270101300	001	CHART SEALING RING	000
10-42	57775550000	001	CIRCLIP 55X2	000
10-50	60223501601	001	ROTARY KNOB COMPL.	000
10-50-48	60223501702	001	SCALE	000
10-50-49	40220105001	001	ROTARY KNOB	000
10-50-50	56972480000	002	OVAL-HEAD SCREW M 4X 8	000
10-52	56922570000	001	COUNTERSUNK SCREW M 5X25	000
10-60	60810101700	001	BEARING BRACKET PREASSEMBLED	000
10-60-1	60810101601	001	BEARING BRACKET	000
10-60-10	57736300000	002	CHEESE-HEAD SCREW M 6X30	000
10-60-12	56400870000	002	LOCK NUT M 6	000
10-60-20	50001180000	002	BUSHING 16X18X15	000
10-60-22	60800106100	001	LEVER, PREASSEMBLED	000
10-60-22-3	22100350001	003	FLAT 35X10	000
10-60-22-5	56150360000	001	PARALLEL PIN HOUSING 8M6X25	000
10-60-23	56150810000	001	PARALLEL PIN HOUSING 5M6 X 22	000
10-60-24	57431250000	001	HEXAGON SCREW M 6X25	000
10-60-25	56735640000	001	WASHER A 6.4	000
10-60-26	57766060000	001	SPRING WASHER A 6	000
10-60-30	60220110100	002	THREADED PIN	000
10-60-32	56083970000	002	THREADED PIN M 6X 8	000
10-60-40	60800105900	001	SHAFT	000
10-60-42	60800110900	001	PRESSURE SPRING	000
10-60-44	57752150000	001	LOCK WASHER 15	000
10-60-50	60810101900	001	INTERMEDIATE PLATE	000
10-60-52	60800106800	003	SCREW	000
10-60-54	56735840000	003	WASHER A 8.4	000
10-60-56	57766080000	003	SPRING WASHER A 8	000
10-60-58	96055070000	001	LUBRICATING GREASE PARALIQ GA 343	000

Textpage 2	VS 12 F	Lang. E	Spare parts list No. 081.98.3.1000	Device series (code No.) 90.012
---------------	----------------	------------	---------------------------------------	------------------------------------

No. in drawing	Order No.	Pcs.	Designation	From status.. onwards
X	X	X	X	X
10-70	56046530000	001	THREADED PIN M 10X35	000
10-71	95972840000	000	SCREW SEALING ADHESIVE 50ML LOCTITE 648	000
10-75	56443820000	002	HEXAGON NUT FLAT-TYPE BM 10	000
10-80	57736200000	001	CHEESE-HEAD SCREW M 6X20	000
10-81	57766060000	001	SPRING WASHER A 6	000
10-100	60370106100	001	SUPPORTING RAIL	000
10-102	60370115300	002	SPACER RING	000
10-104	57736200000	002	CHEESE-HEAD SCREW M 6X20	000
10-106	57766060000	002	SPRING WASHER A 6	000
10-130	60800106300	001	SEALING, GAUGE PLATE	000
10-135	56767080000	002	WASHER 8.4	000
10-136	57737300000	002	CHEESE-HEAD SCREW M 8X30	000
10-137	57766080000	002	SPRING WASHER A 8	000
10-150	60800106400	001	ANGLE PLATE, REAR PART	000
10-152	60800106500	001	ANGLE PLATE, FRONT PART	000
10-155	57736120000	004	CHEESE-HEAD SCREW M 6X12	000
10-156	57766060000	004	SPRING WASHER A 6	000
10-160	60810106600	001	RAIL	000
10-162	60370106700	002	BUSHING	000
10-163	96055040000	001	OIL ISOFLEX TOPAS NB 5051	
10-164	50998960000	001	TENSION SPRING RZ-100 FX	000
10-166	60800106900	001	SLIDER	000
10-168	57347160000	001	HEXAGON SCREW M 6X16	000
10-169	57766060000	001	SPRING WASHER A 6	000
10-170	56735640000	001	WASHER A 6.4	000
10-180	60810107701	002	SUPPORTER	000
10-182	60810107601	002	SEALING	000
10-184	57743531000	002	CHEESE-HEAD SCREW M 6X100	000
10-186	56735640000	002	WASHER A 6.4	000
10-187	57766060000	002	SPRING WASHER A 6	000
10-188	60810107901	001	PRODUCT RAIL	000

4

Bitte unbedingt 11 stellige **BESTELL-Nr.** angeben
Please always indicate 11 digit **Order No.**
Absolument nécessaire d'indiquer **No. de commande** (11 chiffres)
Favorisca specificarci sempre il **N. di ordine** a 11 cifre
Es imprescindible que citen el **"No. de pedido** (11 guarismos)

Device series (code No.) 90.012	Spare parts list No. 081.98.3.1000	Lang. E	VS 12 F	Textpage 3
------------------------------------	---------------------------------------	------------	----------------	---------------

No. in drawing	Order No.	Pcs.	Designation	From status.. onwards
X	X	X	X	X
10-200	60810100300	001	CARRIAGE GUIDE, COMPL.	000
10-200-1	60800100400	001	CARRIAGE GUIDE PREASSEMBLED	000
10-200-1-1	60800100601	001	CARRIAGE GUIDE	000
10-200-1-2	60800100700	001	ROLLER MOUNTING, PREASSEMBLED	000
10-200-1-2-1	60800100800	001	ROLLER SUPPORT	000
10-200-1-2-2	60370100900	001	BOLT	000
10-200-1-2-3	40220102500	001	BALL BEARING	000
10-200-1-2-4	57750800000	001	LOCK WASHER 8	000
10-200-1-2-5	95972850000	000	SCREW SEALING ADHESIVE 50ML LOCTITE 242	000
10-200-1-6	57737250000	001	CHEESE-HEAD SCREW M 8X25	000
10-200-1-7	56735840000	001	WASHER A 8.4	000
10-200-1-8	57766080000	001	SPRING WASHER A 8	000
10-200-1-10	60530300066	002	FELT RING 25.5	000
10-200-1-11	60530300067	002	WASHER 26	000
10-200-1-12	50001019000	002	BUSHING 25X28X30	000
10-200-1-22	56453290000	001	THREADED INSERT STANDARD M 12X9	000
10-200-1-23	56044810000	001	THREADED PIN M 8X25	000
10-200-1-24	95972990000	000	SCREW SEALING ADHESIVE 50ML LOCTITE 290	000
10-200-1-25	57431120000	001	HEXAGON SCREW M 6X12	000
10-200-1-28	95972950000	000	SCREW SEALING ADHESIVE 50ML LOCTITE 243	000
10-200-1-30	60370112800	001	FELT STRIP	000
10-200-1-31	96055040000	000	OIL ISOFLEX TOPAS NB 5051	000
10-200-1-32	60370102301	001	COVER	000
10-200-1-33	56972480000	002	OVAL-HEAD SCREW M 4X 8	000
10-200-1-47	56980720000	001	PAN HEAD SCREW M 5X 4	000
10-200-1-48	60370102700	001	TORSION SPRING	000
10-200-1-50	60370102800	001	STOP	000
10-200-1-52	60370102900	001	SHIM	000
10-200-1-54	57736160000	002	CHEESE-HEAD SCREW M 6X16	000
10-200-1-56	57766060000	002	SPRING WASHER A 6	000
10-200-5	60810102100	001	CARRIAGE SHAFT	000
10-200-6	60370102400	001	SHOCK ABSORBER	000
10-200-7	60370102500	001	SHOCK ABSORBER SLEEVE	000
10-200-8	96055050000	000	LUBRICATING OIL UH1-15	000

Textpage 4	VS 12 F	Lang. E	Spare parts list No. 081.98.3.1000	Device series (code No.) 90.012
---------------	----------------	------------	---------------------------------------	------------------------------------

No. in drawing	Order No.	Pcs.	Designation	From status.. onwards
X	X	X	X	X
10-202	50275150000	001	PRESSURE SPRING D-180T 1.2 X 7.3	000
10-204	60810102200	002	SUPPORTING ANGLE	000
10-206	57736160000	004	CHEESE-HEAD SCREW M 6X16	000
10-208	57766060000	004	SPRING WASHER A 6	000
10-220	60810107100	001	GUIDE RAIL	000
10-222	57747340000	006	CHEESE-HEAD SCREW M 6X16	000
10-224	57766060000	006	SPRING WASHER A 6	000
10-238	60810107000	001	SUPPORTING BAR, ASSEMBLED	000
10-238-5	56359420000	001	PARALLEL NOTCHED PIN 10 X30	
10-238-10	60540402800	001	SILICON TUBE	
10-242	56818460000	002	SELF-TAPPING SCREW TM4X20T20	001
10-244	56735430000	002	WASHER A 4.3	000
10-250	60800102300	001	FOOT PLATE	000
10-252	60800102400	001	FOOT PLATE	000
10-254	60810102501	001	FOOT PLATE	000
10-258	56818440000	012	SELF-TAPPING SCREW TM4X12T20	001
10-300	60810101201	001	MOTOR TOWER, PREASSEMBLED	000
10-300-0	60810101102	001	MOTOR TOWER	000
10-300-1	60800103301	001	BLADE BEARING COMPL.	000
10-300-1-1	60800112600	001	BEARING BUSHING	000
10-300-1-2	56362680000	002	GROOVED BALL BEARING 6006 RS1Z	000
10-300-1-3	60800103900	001	SPACER RING	000
10-300-1-4	50282370000	002	CUP SPRING 54.5 X40.5X0.45	000
10-300-1-5	60370103600	001	SECURING RING	000
10-300-1-6	57623120000	004	COUNTERSUNK SCREW M 4X12	000
10-300-1-7	60800103800	001	BLADE SHAFT	000
10-300-1-8	50001190000	001	BUSHING 18X20X15	000
10-300-1-9	56395340000	001	W-SEALING RING INA G 18X24X 3	000
10-300-1-10	95972950000	000	SCREW SEALING ADHESIVE 50ML LOCTITE 243	000
10-300-2	57736400000	004	CHEESE-HEAD SCREW M 6X40	000
10-300-3	57766060000	004	SPRING WASHER A 6	000
10-300-4	56735640000	004	WASHER A 6.4	000
10-300-5	60800115000	001	SEALING, SUPPORT	000
10-300-10	60800104200	001	SEALING, BLADE	000
10-300-15	60800116002	001	MOUNTING	000
10-300-17	60800114700	002	SET SCREW	000
10-300-19	56735640000	002	WASHER A 6.4	000
10-300-22	57766060000	002	SPRING WASHER A 6	000
10-300-25	57736350000	002	CHEESE-HEAD SCREW M 6X35	000
10-300-27	56470220000	002	HEXAGON NUT FLAT-TYPE BM12X1	000
10-300-30	60800104100	001	BELT PULLEY	000
10-300-32	60370104300	001	NUT	000

Bitte unbedingt 11 stellige **BESTELL-Nr.** angeben
Please always indicate 11 digit **Order No.**
Absolument nécessaire d'indiquer **No. de commande** (11 chiffres)
Favorisca specificarci sempre il **N. di ordine** a 11 cifre
Es imprescindible que citen el **"No. de pedido** (11 guarismos)

Device series (code No.) 90.012	Spare parts list No. 081.98.3.1000	Lang. E	VS 12 F	Textpage 5
------------------------------------	---------------------------------------	------------	----------------	---------------

No. in drawing	Order No.	Pcs.	Designation	From status.. onwards
X	X	X	X	X
10-302	57736250000	004	CHEESE-HEAD SCREW M 6X25	000
10-304	57766060000	004	SPRING WASHER A 6	000
10-306	56735640000	004	WASHER A 6.4	000
10-308	60800115500	002	DAMPING PLATE	001
10-312	60810104500	001	GUARD RING PREASSEMBLED	000
10-312-1	60810105100	001	GUARD RING	000
10-312-4	60800104600	001	THREADED PIN	000
10-312-5	95972950000	000	SCREW SEALING ADHESIVE 50ML LOCTITE 243	000
10-312-6	50373960000	001	MAGNET RD. 10X6	000
10-312-7	95972870000	000	SCREW SEALING ADHESIVE 50ML LOCTIT.638	000
10-312-8	60223506301	001	COVER	000
10-313	57735160000	001	CHEESE-HEAD SCREW M 5X16	000
10-314	95972950000	000	SCREW SEALING ADHESIVE 50ML LOCTITE 243	001
10-315	60223506301	001	COVER	000
10-316	95972870000	000	SCREW SEALING ADHESIVE 50ML LOCTIT.638	001
10-350	60800104700	001	SPACER SLEEVE	000
10-352	60223506600	001	WASHER	001
10-354	57766040000	001	SPRING WASHER A 4	000
10-356	56455400000	001	HEXAGON NUT M 4	000
10-358	60370104900	001	SEALING	000
10-370	60810104900	001	SPACER	000
10-372	60800115000	001	SEALING, SUPPORT	000
10-374	60800114900	002	SET SCREW	000
10-375	95972990000	000	SCREW SEALING ADHESIVE 50ML LOCTITE 290	001
10-376	57766040000	002	SPRING WASHER A 4	000
10-378	60223506600	002	WASHER	001
10-380	57343550000	002	HEXAGON SCREW M 4X55	000
10-390	60370104400	001	BLADE SHAFT	000
10-391	96055040000	000	OIL ISOFLEX TOPAS NB 5051	000
10-392	60370118200	001	HEXAGON NUT	000

Bitte unbedingt 11 stellige **BESTELL-Nr.** angeben
Please always indicate 11 digit **Order No.**
Absolument nécessaire d'indiquer **No. de commande** (11 chiffres)
Favorisca specificarci sempre il **N. di ordine** a 11 cifre
Es imprescindible que citen el "**No. de pedido**" (11 guarismos)

Textpage 6	VS 12 F	Lang. E	Spare parts list No. 081.98.3.1000	Device series (code No.) 90.012
---------------	----------------	------------	---------------------------------------	------------------------------------

No. in drawing	Order No.	Pcs.	Designation	From status.. onwards
X	X	X	X	X
10-400	50009770000	001	RIBBED V-BELT J10-457	000
10-410	57736160000	001	CHEESE-HEAD SCREW M 6X16	000
10-412	57766060000	001	SPRING WASHER A 6	000
10-414	56735640000	001	WASHER A 6.4	000
10-420	60800107501	001	CLAMPING PLATE	000
10-422	57736160000	001	CHEESE-HEAD SCREW M 6X16	000
10-424	57766060000	001	SPRING WASHER A 6	000
10-426	56735640000	001	WASHER A 6.4	000
10-500	60810109001	001	DEFLECTOR, PREASSEMBLED	000
10-500-1	60810109201	001	DEFLECTOR	000
10-500-2	60223505800	001	BEARING BOLT	000
10-500-3	60540102400	001	ADJUSTING BOLT	000
10-500-4	95972840000	000	SCREW SEALING ADHESIVE 50ML LOCTITE 648	000
10-500-5	95972990000	000	SCREW SEALING ADHESIVE 50ML LOCTITE 290	000
10-500-6	50003040000	001	DECORATIVE PIN MESSRS. INDEN NO4115 WHITE	000
10-502	60610300019	001	THRUST WASHER	000
10-505	60800105000	000	WASHER 8.2	001
10-506	60223506500	001	BRAKE PULLEY	000
10-508	60270111301	001	WASHER	001
10-510	57767040000	001	SPRING WASHER A 4	000
10-512	57343100000	001	HEXAGON SCREW M 4X10	000
10-514	96055040000	000	OIL ISOFLEX TOPAS NB 5051	000
10-516	40140200901	001	PROTECTIVE PLUG 20.2 KNURLED	000
10-550	57630620000	004	COUNTERSUNK SCREW M 6X12	000
10-555	60800112501	001	THREE-SQUARE KNOB, PREASSEMBLED	000
10-555-1	60800116500	001	THREE-SQUARE KNOB	000
10-555-2	60370108500	001	THREADED BOLT	000
10-555-3	95972840000	000	SCREW SEALING ADHESIVE 50ML LOCTITE 648	000
10-560	60800109502	001	COVER	000
10-562	56818430000	003	SELF-TAPPING SCREW TM4X8T20	001
10-564	56735440000	003	WASHER A 4.3	000

4

Bitte unbedingt 11 stellige **BESTELL-Nr.** angeben
Please always indicate 11 digit **Order No.**
Absolument nécessaire d'indiquer **No. de commande** (11 chiffres)
Favorisca specificarci sempre il **N. di ordine** a 11 cifre
Es imprescindible que citen el **"No. de pedido** (11 guarismos)

Device series (code No.) 90.012	Spare parts list No. 081.98.3.1000	Lang. E	VS 12 F	Textpage 7
------------------------------------	---------------------------------------	------------	----------------	---------------

No. in drawing	Order No.	Pcs.	Designation	From status.. onwards
X	X	X	X	X
10-600	71010630000	002	SCREW COUPLING ST13.5 UL53015030	001
	71011620000	002	SCREW COUPLING ST11 UL53015020	000
10-602	71066110000	001	CABLE GLAND PG11	000
	71066130000	001	DUMMY PLUG N PG13.5	001
10-611	56818430000	001	SELF-TAPPING SCREW TM4X8T20	001
10-618	56818430000	002	SELF-TAPPING SCREW TM4X8T20	001
10-619	56735440000	002	WASHER A 4.3	000
10-620	57758400000	004	TOOTHED LOCK WASHER A 4.3	000
10-622	60800116100	001	RUBBER BUSH	000
10-623	60800116200	001	RUBBER BUSH	000
10-625	60806110200	001	STRAND PROTECTIVE WIRE LENGTH=200 VS12	001
10-626	56818430000	002	SELF-TAPPING SCREW TM4X8T20	001
10-627	57758400000	004	TOOTHED LOCK WASHER A 4.3	000
10-628	56735440000	002	WASHER A 4.3	000
10-650	60800114001	001	SEALING, SWITCH	000
10-652	57454180000	004	COUNTERSUNK SCREW M 4X 8T20	001
10-730	60370108700	001	SHAFT	000
10-731	56083980000	001	THREADED PIN M 6X12	000
10-732	60800108900	001	LOCKING SLIDER, COMPL.	000
10-732-1	60800108800	001	LOCKING SLIDER	000
10-732-5	60370116100	001	SHRINK SLEEVE	000
10-734	60220400300	001	THREADED BOLT	000
10-735	95972950000	000	SCREW SEALING ADHESIVE 50ML LOCTITE 243	000
10-736	60800105000	001	WASHER 8.2	001
10-738	57750600000	001	LOCK WASHER 6	000
10-750	60800116900	001	BIZERBA STROKE	000

Textpage 8	VS 12 F	Lang. E	Spare parts list No. 081.98.3.1000	Device series (code No.) 90.012
---------------	----------------	------------	---------------------------------------	------------------------------------

No. in drawing	Order No.	Pcs.	Designation	From status.. onwards
X	X	X	X	X
20	60810200002	001	MEAT CARRIAGE	000
20-1	60800200200	001	CARRIAGE FOOT	000
20-3	56768100000	001	WASHER A 13	000
20-5	60800204600	001	STAR KNOB WITH BOLT	000
20-7	57753800000	001	LOCK WASHER 8	000
20-8	95972840000	000	SCREW SEALING ADHESIVE 50ML LOCTITE 648	000
20-20	60810200301	001	CARRIAGE PLATE, PREASSEMBLED	000
20-22	60274601000	002	BOLT FOR PRODUCT FIXATION	000
20-23	57432250000	002	HEXAGON SCREW M 8X25	000
20-24	56765070000	002	WASHER 8.4	000
20-25	57767080000	002	SPRING WASHER A 8	000
20-35	60810201500	001	GUIDE SHAFT	000
20-36	96055050000	000	LUBRICATING OIL UH1-15	000
20-40	60810202401	001	GUARD PLATE + LEVER	000
20-40-1	60810200901	001	LEVER, PREASSEMBLED	000
20-40-1-4	50005060000	002	BUSHING 12X14X15	000
20-40-1-5	56187850000	002	PARALLEL PIN 5M6X16	000
20-40-1-7	60810201600	002	STOP	000
20-40-1-8	57630420000	002	COUNTERSUNK SCREW M 4X 8	000
20-40-1-9	95972840000	000	SCREW SEALING ADHESIVE 50ML LOCTITE 648	000
20-40-5	60810202501	001	GUARD PLATE, PREASSEMBLED	000
20-40-7	60270201802	001	WASHER WITH BOLT	000
20-40-8	60800201500	001	LOCK WASHER	000
20-40-9	60810203000	001	WASHER	000
20-40-10	60810202900	001	SHAFT	000
20-40-11	96055070000	000	LUBRICATING GREASE PARALIQ GA 343	000

4

Bitte unbedingt 11 stellige **BESTELL-Nr.** angeben
Please always indicate 11 digit **Order No.**
Absolument nécessaire d'indiquer **No. de commande** (11 chiffres)
Favorisca specificarci sempre il **N. di ordine** a 11 cifre
Es imprescindible que citen el "**No. de pedido**" (11 guarismos)

Device series (code No.) 90.012	Spare parts list No. 081.98.3.1000	Lang. E	VS 12 F	Textpage 9
------------------------------------	---------------------------------------	------------	----------------	---------------

No. in drawing	Order No.	Pcs.	Designation	From status.. onwards
x	x	x	x	x
20-40-13	60810202700	001	LEVER EXTENSION COMPL.	000
20-40-13-1	60810202800	001	LEVER EXTENSION	000
20-40-13-2	56046470000	001	THREADED PIN M 8X70	000
20-40-13-3	95972840000	000	SCREW SEALING ADHESIVE 50ML LOCTITE 648	000
20-40-13-4	60353801401	001	HANDLE	000
20-40-13-5	56739080000	001	WASHER A 8.4	000
20-40-13-6	56455800000	001	HEXAGON NUT M 8	000
20-40-13-7	40220000801	001	PROTECTIVE PLUG 27.2 KNURLED	000
20-40-13-8	57767080000	000	SPRING WASHER A 8	000
20-40-15	60270202700	001	WASHER 6	000
20-40-16	56972770000	001	OVAL-HEAD SCREW M 6X10	000
20-40-17	95972950000	000	SCREW SEALING ADHESIVE 50ML LOCTITE 243	000
20-43	40110201004	005	SHOCK ABSORBER THICKNESS 1	000
20-44	40110201004	002	SHOCK ABSORBER THICKNESS 1	000
20-45	50001510000	003	CUP SPRING 11 X 6.2X0.3	000
20-46	60810202000	002	BEARING PEDESTAL	000
20-47	57630630000	002	COUNTERSUNK SCREW M 6X16	000
20-48	95972840000	000	SCREW SEALING ADHESIVE 50ML LOCTITE 648	000
20-50	60810203700	001	REAR WALL, LARGE	000
20-51	60353602800	001	ADHESIVE FOIL	000
20-52	56739040000	004	WASHER A 4.3	000
20-53	57767040000	004	SPRING WASHER A 4	000
20-54	56456400000	004	HEXAGON NUT M 4	000
20-56	60370402200	004	PROTECTIVE PLUG	000
20-60	60810200501	001	FEED CARRIAGE, COMPL.	000
20-60-1	60810200701	001	FEED CARRIAGE	000
20-60-3	60810203300	002	SLIDE PIN	000
20-60-4	95972840000	000	SCREW SEALING ADHESIVE 50ML LOCTITE 648	000
20-60-5	56008700000	001	THREADED BOLT FHS-M 6X20	000
20-60-6	56008800000	002	THREADED BOLT FHS-M 8X25	000
20-60-7	60810204900	001	FIXING PIN	000
20-60-8	60810204700	002	BOLT	000
20-60-9	95972840000	000	SCREW SEALING ADHESIVE 50ML LOCTITE 648	000
20-70	60800204002	001	REMNANT HOLDER COMPL.	000

Textpage 10	VS 12 F	Lang. E	Spare parts list No. 081.98.3.1000	Device series (code No.) 90.012
----------------	----------------	------------	---------------------------------------	------------------------------------

No. in drawing	Order No.	Pcs.	Designation	From status.. onwards
X	X	X	X	X
21	60810300002	001	CLAMPING CARRIAGE	000
21-1	60800200200	001	CARRIAGE FOOT	000
21-3	56768100000	001	WASHER A 13	000
21-5	60800204600	001	STAR KNOB WITH BOLT	000
21-7	57753800000	001	LOCK WASHER 8	000
21-8	95972840000	000	SCREW SEALING ADHESIVE 50ML LOCTITE 648	000
21-10	57432120000	001	HEXAGON SCREW M 8X12	000
21-20	60810300202	001	CARRIAGE PLATE PREASSEMBLED	000
21-22	60810300800	002	THREADED BUSHING	000
21-24	95972950000	000	SCREW SEALING ADHESIVE 50ML LOCTITE 243	000
21-30	57432250000	002	HEXAGON SCREW M 8X25	000
21-34	56765070000	002	WASHER 8.4	000
21-36	57767080000	002	SPRING WASHER A 8	000
21-40	60810300701	001	FEED CARRIAGE, PREASSEMBLED	000
21-40-5	60810301500	025	DRIVE PIN	000
21-40-8	60810300900	001	STOP PIN	000
21-40-9	95972990000	000	SCREW SEALING ADHESIVE 50ML LOCTITE 290	000
21-40-10	40300900005	003	BOLT 8X 2	000
21-40-11	40110201403	002	SUPPORTING PIN	000
21-40-16	50001180000	002	BUSHING 16X18X15	000
21-40-30	60810304001	001	FLAT MATERIAL	000
21-40-32	57431200000	002	HEXAGON SCREW M 6X20	000
21-40-33	56739060000	002	WASHER A 6.4	000
21-40-34	56046470000	001	THREADED PIN M 8X70	000
21-40-36	95972840000	000	SCREW SEALING ADHESIVE 50ML LOCTITE 648	000
21-40-38	60353801401	001	HANDLE	000
21-40-42	56455800000	001	HEXAGON NUT M 8	000
21-40-44	56739080000	001	WASHER A 8.4	000
21-40-46	40220000801	001	PROTECTIVE PLUG 27.2 KNURLED	000
21-40-54	56338240000	001	GROOVED PIN 6X24	000
21-60	60810303402	001	SUPPORTER	000
21-62	57747340000	002	CHEESE-HEAD SCREW M 6X16	000
21-64	57766060000	002	SPRING WASHER A 6	000
21-68	56777140000	002	WASHER 14	000
21-80	60810303500	001	GUIDE SHAFT	000
21-82	56972790000	002	OVAL-HEAD SCREW M 6X16	000
21-84	95972840000	000	SCREW SEALING ADHESIVE 50ML LOCTITE 648	000

4

Bitte unbedingt 11 stellige **BESTELL-Nr.** angeben
Please always indicate 11 digit **Order No.**
Absolument nécessaire d'indiquer **No. de commande** (11 chiffres)
Favorisca specificarci sempre il **N. di ordine** a 11 cifre
Es imprescindible que citen el **"No. de pedido** (11 guarismos)

Device series (code No.) 90.012	Spare parts list No. 081.98.3.1000	Lang. E	VS 12 F	Textpage 11
------------------------------------	---------------------------------------	------------	----------------	----------------

No. in drawing	Order No.	Pcs.	Designation	From status.. onwards
x	x	x	x	x
21-100	60810301601	001	BOLT	000
21-102	95972840000	000	SCREW SEALING ADHESIVE 50ML LOCTITE 648	000
21-104	56359360000	002	PARALLEL NOTCHED PIN 4 X10	000
21-106	60810302700	001	SPACER RING	000
21-120	60810301202	001	LEVER	000
21-121	50005020000	001	BUSHING 14X16X10	000
21-122	50001000000	003	BUSHING 18X20X10	000
21-123	56337200000	001	GROOVED PIN 5 X20	000
21-124	40110201009	001	WASHER 18	000
21-126	40110201011	003	WASHER 18	000
21-130	60810305200	001	BRAKE LEVER	000
21-132	57743120000	001	CHEESE-HEAD SCREW M 4X25	000
21-134	50281080000	002	CUP SPRING 12 X 4.2X0.6	000
21-136	95972950000	000	SCREW SEALING ADHESIVE 50ML LOCTITE 243	000
21-138	57752150000	001	LOCK WASHER 15	000
21-140	56777180000	001	WASHER 18	000
21-150	60810302202	001	BOLT	000
21-154	40110201011	002	WASHER 18	000
21-160	60810304901	001	LEVER EXTENSION PREASSEMBLED	000
21-160-1	60810304501	001	LEVER EXTENSION	000
21-160-3	50001000000	002	BUSHING 18X20X10	000
21-160-5	60810304800	001	BOLT	000
21-160-7	56046530000	001	THREADED PIN M 10X35	000
21-160-9	60370203400	001	SEALING	000
21-160-11	56086100000	001	CYLINDRICAL HANDLE GN519 28 M10	000
21-160-18	95972840000	000	SCREW SEALING ADHESIVE 50ML LOCTITE 648	000

Textpage 12	VS 12 F	Lang. E	Spare parts list No. 081.98.3.1000	Device series (code No.) 90.012
----------------	----------------	------------	---------------------------------------	------------------------------------

No. in drawing	Order No.	Pcs.	Designation	From status.. onwards
X	X	X	X	X
21-162	60270202800	003	WASHER	000
21-163	60270202900	001	WASHER	000
21-164	00110500002	003	WASHER 6.2	000
21-166	56765050000	001	WASHER 5.3	000
21-168	56806520000	001	OVAL-HEAD SCREW M 5X10	000
21-169	95972950000	000	SCREW SEALING ADHESIVE 50ML LOCTITE 243	000
21-170	60350402001	001	PROTECTIVE PLUG 16.2 KNURLED	000
21-190	60810302001	001	GUIDE	000
21-191	30810302905	001	PUSH ROD	000
21-192	60810303000	001	LOCK PLATE	000
21-194	50275210000	001	PRESSURE SPRING VD-115H 0.7 X11.3	000
21-196	57753900000	001	LOCK WASHER 9	000
21-200	60810301801	002	LEVER	000
21-202	60810302400	001	BOLT	000
21-204	60810302500	001	BOLT	000
21-206	57753400000	007	LOCK WASHER 4	000
21-210	57743430000	002	CHEESE-HEAD SCREW M 6X20	000
21-212	57767060000	002	SPRING WASHER A 6	000
21-220	56265100000	001	ROUND-HEADED NOTCHED NAIL 4X10	000
21-222	50998970000	001	TENSION SPRING RZ-127 EX	000
21-242	60810304600	001	STOP	000
21-244	60810304700	001	SUPPORTING PLATE	000
21-246	57734180000	002	CHEESE-HEAD SCREW M 4X40	000
21-248	57767040000	002	SPRING WASHER A 4	000
21-280	60810302601	001	COVER	000
21-282	56972480000	003	OVAL-HEAD SCREW M 4X 8	000
21-300	60810305101	001	PRODUCT HOLDER	000
21-302	56359360000	002	PARALLEL NOTCHED PIN 4 X10	000
21-312	57442200000	001	COUNTERSUNK SCREW M 8X20	000
21-314	95972950000	000	SCREW SEALING ADHESIVE 50ML LOCTITE 243	000
21-316	56777190000	001	WASHER 18	000

4

Bitte unbedingt 11 stellige **BESTELL-Nr.** angeben
Please always indicate 11 digit **Order No.**
Absolument nécessaire d'indiquer **No. de commande** (11 chiffres)
Favorisca specificarci sempre il **N. di ordine** a 11 cifre
Es imprescindible que citen el **"No. de pedido** (11 guarismos)

Device series (code No.) 90.012	Spare parts list No. 081.98.3.1000	Lang. E	VS 12 F	Textpage 13
------------------------------------	---------------------------------------	------------	----------------	----------------

No. in drawing	Order No.	Pcs.	Designation	From status.. onwards
X	X	X	X	X
40	40300057700	001	POWER CONNECTING CABLE USA	
	60736200100	001	ARMOURED MAINS CABLE AC EURO L = 2.5M	000
41	60476200102	001	POWER LEAD CEKON CURVED CONNECTOR	
41-1	76074180000	002	CABLE H05VV-F5G1.5 5X1.5 2.5 M	
41-3	71473070000	001	PCE ANGLE POLARITY CONVERTER, 5-PIN 7415	
50-5	52022700000	000	MOTOR A.C. 230/50	000
50-9	52022740000	000	MOTOR A.C. SRBF 1.5/4-A40R 120V / 60HZ	000
50-18	60800115500	002	DAMPING PLATE	000
50-19	50005040000	002	FLANGE BUSHING 6X8X4	000
50-20	60800107402	001	MOTOR BEARING	000
50-21	56735640000	002	WASHER A 6.4	000
50-22	60800112300	001	CHEESE-HEAD SCREW	000
50-23	56400870000	001	LOCK NUT M 6	000
50-24	57904731000	001	EYEBOLT AM6X50	000
50-25	57347500000	001	HEXAGON SCREW M 6X50	000
50-26	56400870000	001	LOCK NUT M 6	000
50-28	60800105000	001	WASHER 8.2	000
50-30	60800115600	001	DAMPING SLEEVE	000
50-32	56764060000	001	WASHER 6.4	000
50-34	56400870000	001	LOCK NUT M 6	000
56-5	52022760000	000	MOTOR 3-PHASE CURRENT 400/230/50	000
60	71092200000	001	CAPACITOR MP 20MF220V	
	71092230000	001	CAPACITOR MP 5MF400V	000
66	60800111801	001	CAPACITOR ANGLE PLATE	000
68	56808430000	002	SELF-TAPPING SCREW CM4X 8	000
70	60816400101	001	ON/OFF SWITCH COMPL. VS12F 230V	000
	60816400400	001	ON/OFF SWITCH COMPL. VS12 F-P	001
	60816401000	001	ON/OFF SWITCH COMPL. VS12F 120V	
70-1	60800123900	001	SWITCH PLATE	000
70-2	60805300102	001	LPB ON/OFF LED 230V VS11/VS12	000
	60805301100	001	LPB I/O LED 120V VS12/VS12F	
70-2-400	71186370000	001	POWER RELAY MINI 5644.8.230	000
70-2-412	71218440000	004	SNAP SWITCH DB3C-C1AA	000
70-2-414	71037690000	002	LIGHT-EMITTING DIODE H-WHITE NSPW-310AS	000
70-3	57465080000	004	PLASTIC SCREW K40X12 WN 1452T20	000
70-6	60816400201	001	DECO FOIL VS 12 F	000
	60816400300	001	DECO FOIL VS 12 F-P	001
70-7	50003680000	001	O-SEAL OR 20X1.0	000
70-8	60666401100	002	THRUST WASHER FK23	000
70-9	60800113401	001	ADHESIVE FOIL WITH TEXT	000
70-10	60800113601	001	ADHESIVE FOIL	000

Bitte unbedingt 11 stellige **BESTELL-Nr.** angeben
Please always indicate 11 digit **Order No.**
Absolument nécessaire d'indiquer **No. de commande** (11 chiffres)
Favorisca specificarci sempre il **N. di ordine** a 11 cifre
Es imprescindible que citen el **"No. de pedido** (11 guarismos)

Textpage 14	VS 12 F	Lang. E	Spare parts list No. 081.98.3.1000	Device series (code No.) 90.012
----------------	----------------	------------	---------------------------------------	------------------------------------

No. in drawing	Order No.	Pcs.	Designation	From status.. onwards
X	X	X	X	X
72	60266100600	001	STRAND POWER PACK MODULE VS8	000
72-3	71165350000	006	CONDUCTOR END SLEEVE 0.5-1.0 MM2	000
74	60806100500	002	STRAND CB-LENGTH = 160 VS12	001
80	71169040000	001	NYLON CLIPS HP-4N	000
90	60810101500	001	BLADE, 350 DIAMETER	000
95	60810106000	001	BLADE COVER PREASSEMBLED	000
95-2	60270108300	001	SQUARE BOLT	000
95-3	95972840000	000	SCREW SEALING ADHESIVE 50ML LOCTITE 648	000
95-4	57630530000	002	COUNTERSUNK SCREW M 5X12	000
95-5	60800108400	001	BRACKET HANDLE 100XM5	000
95-6	95972950000	000	SCREW SEALING ADHESIVE 50ML LOCTITE 243	000
110	60810105301	001	GAUGE PLATE	000
115	60804800400	000	SPECIFICATION PLATE VS12 CE	000
	60804800500	000	SPECIFICATION PLATE VS12 CE	000
	60814800400	000	SPECIFICATION PLATE VS12 F-P CE	001
	60814800500	000	SPECIFICATION PLATE VS12 F-P CE	001
	60814800700	000	SPECIFICATION PLATE VS12F CE	001
	60814800800	000	SPECIFICATION PLATE VS12F CE	001
	60814801000	000	SPECIFICATION PLATE VS12F US	
132	51975600000	001	REFERENCE PLATE SE 8	000
134	60544808100	001	REFERENCE PLATE "DO NOT CLEAN WITH HOSE"	000
140			ACCESSORIES	000
140-1	40220003400	001	PROTECTIVE BAG	000
140-2	60220007800	001	LUBRICATING OIL	000
140-3	40950000176	001	BRUSH WITH WIPER	000
140-4	50002840000	001	MULTI-PURPOSE CLOTH COLOURED 300X300	000
140-5	60220007500	001	PAPER FELT	000
150	60804800101	001	ADHESIVE CIRCUIT DIAGRAM AC VS11/VS12	000
	60804820100	001	ADHESIVE CIRCUIT DIAGR. AC VS12/120V 120V USA	
151	60804800201	001	ADHESIVE CRICUIT DIAGRAM 3-PH. VS11/VS12	

4

Bitte unbedingt 11 stellige **BESTELL-Nr.** angeben
Please always indicate 11 digit **Order No.**
Absolument nécessaire d'indiquer **No. de commande** (11 chiffres)
Favorisca specificarci sempre il **N. di ordine** a 11 cifre
Es imprescindible que citen el **"No. de pedido** (11 guarismos)

Device series (code No.) 90.012	Spare parts list No. 081.98.3.1000	Lang. E	VS 12 F	Textpage 15
------------------------------------	---------------------------------------	------------	----------------	----------------

No. in drawing	Order No.	Pcs.	Designation	From status.. onwards
X	X	X	X	X
160	60810600100	001	SHARPENER COMPL. EURO	000
160-1	60220600100	001	SHARPENER PREASSEMBLED	000
160-1-7203	60220600202	001	HOUSING	000
160-1-7210	60220600500	001	COLLAR STUD	000
160-1-7211	40110500001	001	PRESSURE SPRING 0110500001	000
160-1-7212	56755650000	001	WASHER 6.4	000
160-1-7213	57750400000	001	LOCK WASHER 4	000
160-1-7214	60220600600	001	SUPPORT BOLT	000
160-1-7215	40220600800	001	HANDWHEEL	000
160-1-7216	56805720000	001	OVAL-HEAD SCREW M 6X30	000
160-1-7217	56735640000	001	WASHER A 6.4	000
160-1-7218	60220602600	001	SPACER BUSHING	000
160-1-7220	56400860000	001	LOCK NUT M 6	000
160-1-7221	60220600700	001	AXLE	000
160-1-7222	40220601000	001	PRESSURE SPRING 0.8X 6.3 X19	000
160-1-7223	40220601100	001	WASHER	000
160-1-7224	57750400000	001	LOCK WASHER 4	000
160-1-7230	40220601200	002	LEAF SPRING	000
160-1-7231	60220600900	001	COVER	000
160-1-7235	40110500008	002	WASHER 6.3	000
160-1-7236	60223401000	001	SHARPENING STONE	000
160-1-7237	60223401100	001	HONING STONE	000
160-1-7238	56728640000	002	WASHER A 6.4	000
160-1-7239	56448600000	002	HEXAGON NUT FLAT-TYPE BM 6 LEFT	000
160-1-7240	60220602201	001	COVER	000
160-1-7241	60220602301	001	COVER	000
160-1-7245	96002030000	000	MOLYKOTE LONGTHERM W 2	000
160-3	60800600201	001	ADAPTER VS12	000
160-5	57463000000	005	SELF-TAPPING SCREW ST 3.5X16Z1-F	000
160-10	60370600301	001	CLAMPING PIECE	000
160-12	56807410000	001	OVAL-HEAD SCREW 10 LONG, M 6X40	000
160-13	56728640000	002	WASHER A 6.4	000
160-15	56400870000	001	LOCK NUT M 6	000
160-16	60370600700	001	STAR KNOB COMPL.	000
160-17	60223400500	001	CAP	000
160-18	95972950000	000	SCREW SEALING ADHESIVE 50ML LOCTITE 243	000
160-50	60810600400	001	STOP	000
160-51	60800600500	001	NUT PLATE	000
160-52	56805680000	001	OVAL-HEAD SCREW M 6X12	000
160-54	56735640000	001	WASHER A 6.4	000

Textpage 16	VS 12 F	Lang. E	Spare parts list No. 081.98.3.1000	Device series (code No.) 90.012
----------------	----------------	------------	---------------------------------------	------------------------------------

No. in drawing	Order No.	Pcs.	Designation	From status.. onwards
X	X	X	X	X
170	60809850000	001	OPERATING INSTRUCTIONS VS-12 GER	000
171	60809851000	001	OPERATING INSTRUCTIONS VS-12 ENGL	000
172	60809852000	001	OPERATING INSTRUCTIONS VS-12 FRA	000
173	60809853000	001	OPERATING INSTRUCTIONS VS-12 ITA	000
174	60809854000	001	OPERATING INSTRUCTIONS VS-12 ESP	000
200	47509000301	001	REFERENCE PLATE GER	000
201	47509000401	001	REFERENCE PLATE ENG	000
202	47509000501	001	REFERENCE PLATE FRA	000
203	47509000601	001	REFERENCE PLATE ESP	000
204	47509000701	001	REFERENCE PLATE ITA	000
205	47509001301	001	REFERENCE PLATE DNK	000
206	47509010201	001	REFERENCE PLATE PORT	000
207	47509010301	001	REFERENCE PLATE FLEM	000
208	47509020500	001	REFERENCE PLATE SWE	000
209	47509020600	001	REFERENCE PLATE NDL	000
210	47509020700	001	REFERENCE PLATE RUSS	000
211	47509020800	001	REFERENCE PLATE GREE	000
212	47509020900	001	REFERENCE PLATE SERBOCROAT	000
213	47509021000	001	REFERENCE PLATE CZECH	000
214	47509021100	001	REFERENCE PLATE HUN	000

4

Bitte unbedingt 11 stellige **BESTELL-Nr.** angeben
Please always indicate 11 digit **Order No.**
Absolument nécessaire d'indiquer **No. de commande** (11 chiffres)
Favorisca specificarci sempre il **N. di ordine** a 11 cifre
Es imprescindible que citen el "**No. de pedido**" (11 guarismos)

Device series (code No.) 90.012	Spare parts list No. 081.98.3.1000	Lang. E	VS 12 F	Textpage 17
------------------------------------	---------------------------------------	------------	----------------	----------------

No. in drawing	Order No.	Pcs.	Designation	From status.. onwards
X	X	X	X	X
9900	60814600000	001	CONVERSION KIT PRODUCT FIXATION	
9900-1	60814600300	001	GUIDE BAR	
9900-3	56008300000	001	THREADED BOLT FHS-M 4X15	
9900-5	60274600400	001	ROUND NUT	
9900-7	60814600700	001	PRODUCT FIXATION	
9900-7-1	60814600100	001	SLIDER	
9900-7-3	56047610000	001	THREADED PIN M 6X 8	
9900-7-5	60814600500	001	RULER, WELDED	
9900-7-7	60814600400	001	SLIDE PIN	
9900-7-9	60814600200	001	BUSHING	
9900-7-11	56070550000	001	THREADED PIN M6 X 7.5 X 13.5	
9900-7-13	56777100000	001	WASHER 10	
9900-7-20	95972950000	001	SCREW SEALING ADHESIVE 50ML LOCTITE 243	
9990	60810008300	001	BLADE, TEFLON COATED	

Textpage 18	VS 12 F	Lang. E	Spare parts list No. 081.98.3.1000	Device series (code No.) 90.012
----------------	----------------	------------	---------------------------------------	------------------------------------

4

Bitte unbedingt 11 stellige **BESTELL-Nr.** angeben
Please always indicate 11 digit **Order No.**
Absolument nécessaire d'indiquer **No. de commande** (11 chiffres)
Favorisca specificarci sempre il **N. di ordine** a 11 cifre
Es imprescindible que citen el "**No. de pedido**" (11 guarismos)
