

# Spare parts list

## VSI F T

---



**Bizerba SE & Co. KG**

Business Services

STS-T, Didactics &amp; Documentation

Wilhelm-Kraut-Straße 65

72336 Balingen

T +49 7433 12-0

F +49 7433 12-2696

service@bizerba.com

**[www.bizerba.com](http://www.bizerba.com)**

# Contents

10	Voltage type
12	Power Supply 100-240V cpl
14	Prog.+Power Supply 100-240V+Wärmepad
16	PCBAP Power Supply VSI
18	PCBA PowerSupply VSI
20	Power Contactor preass.
22	Machine housing
48	Housing Ti Dt
50	Drive Housing Ti Dt cpl
54	Cover prem
56	Cover Drivehousing prem
58	Sealing Cover Compl.
60	Machine Housing cpl.
62	Connector ribbon cable
64	Motor Tower Dt cpl
68	Cover Motor Tower prem
70	Cover Motor Tower
72	Cable set standard
74	Housing Ti Db
76	Drive Housing Ti Db cpl
80	Cover prem
82	Cover Drivehousing prem
84	Machine Housing cpl.
86	Connector ribbon cable
88	Motor Tower Db cpl
92	Cover Motor Tower prem
94	Cover Motor Tower
96	Cable set standard
98	Housing Te W Dt
100	Drive Housing Te W Dt cpl
104	Cover prem
106	Cover Drivehousing prem
108	Sealing Cover Compl.
110	Machine Housing cpl.
112	Connector ribbon cable
114	Motor Tower Dt cpl
118	Cover Motor Tower prem
120	Cover Motor Tower
122	Cable set standard
124	Housing Te W Db
126	Drive Housing Te W Db cpl
130	Cover prem
132	Cover Drivehousing prem
134	Machine Housing cpl.
136	Connector ribbon cable
138	Motor Tower Db cpl

# Contents

142	Cover Motor Tower prem
144	Cover Motor Tower
146	Cable set standard
148	Screw Plug Motor cpl
150	Screw Plug Light Barrier cpl
152	Screw Plug Machine Housing cpl
154	Screw Plug Drive Housing cpl
156	Covering Cap Set Carry Handles
158	Fixing Axis cpl.
160	Counterbearing preassy.
162	Carry Handles Set VSI
164	Cable Fixing cpl.
166	Fixing axis scale cpl.
168	Installations
176	Set up VSI cpl.
178	Setup preass.
180	Setup VSI w. Service Cover cpl
182	Setup w. Service Cover preass.
184	Cover prem.
186	Plate Kit T
188	Plate Kit T light
190	Blade drive
192	Blade Drive one-piece VSI cpl.
194	Blade Bearing one-piece cpl.
196	Motor cpl
198	Blades
230	Blade removal device
234	Blade Removal Device preassembled
236	Blade removal device 330 V2A
238	Blade Removal Device preassembled
240	Cover preassembled
242	Blade cover
246	Blade cover cpl.
248	Blade cover cpl. C
250	Blade guard ring + Deflector
254	Blade Guard Ring cpl
256	Blade Guard Ring preass
258	Product supporter cpl
260	Deflector preass
262	Gauge plate drive
264	Gauge plate drive VSI cpl
270	Bearing bracket cpl
276	adjusting ring 18mm
278	Beam preass
280	Gauge plate
288	Carriage drive

# Contents

290	Carriage drive cpl
292	Carriage drive motor preassy.
294	Guide roller cpl
296	Carriage drive VSI cpl.
298	Guide roller cpl
300	Bearing housing cpl
302	Carriage
320	Carriage 400 with Peaks
322	Carriage 400 cpl
328	feed spindle ass.
330	Carriage Plate 400 preass
332	Product Supporter horizontal cpl
334	Carriage Foot low cpl.
336	Product Holder folding upwards preass.
340	Bolt cpl
342	Lever compl for the Product Holder
344	Product holder ass.
346	product supporting plate ass.
348	Clamping Carriage VSI 400
350	Carriage Plate 400 preass
352	Carriage 400 premounted
358	Feedspindle 521xTR20x12 ass.
360	Product Supporter horizontal cpl
362	Carriage Foot low cpl.
364	Product Holder folding upwards preass.
368	Bolt cpl
370	Lever compl for the Product Holder
372	Product holder ass.
374	product supporting plate ass.
376	Carriage 400 NSF
378	Carriage 400 cpl
384	feed spindle ass.
386	Carriage Plate 400 preass
388	Product Supporter top NSF cpl
390	Carriage Foot high cpl.
392	Product Holder cpl. VSI
394	Product Holder Guide NSF cpl
396	Bolt NSF cpl
398	Holder preassembled
400	Holding Down Device ass.
404	Carriage VSI 400 NSF
406	Carriage Plate 400 preass
408	Carriage 400 premounted
414	Feedspindle 521xTR20x12 ass.
416	Product Supporter top NSF cpl
418	Carriage Foot high cpl.

# Contents

420	Product Holder cpl. VSI
422	Product Holder Guide NSF cpl
424	Bolt NSF cpl
426	Holder preassembled
428	Holding Down Device ass.
432	Carriage 600 NSF
434	Carriage 600 cpl.
438	Feedspindle 721xTR20X12 ass.
440	Carriage Plate Template preass
442	Product Supporter top NSF cpl
444	Carriage Foot high cpl.
446	Product Holder cpl. VSI
448	Product Holder Guide NSF cpl
450	Bolt NSF cpl
452	Holder preassembled
454	Holding Down Device ass.
458	Carriage VSI 600 NSF
460	Carriage Plate Template preass
462	Carriage 600 premounted
466	Feedspindle 721xTR20X12 ass.
468	Product Supporter top NSF cpl
470	Carriage Foot high cpl.
472	Product Holder cpl. VSI
474	Product Holder Guide NSF cpl
476	Bolt NSF cpl
478	Holder preassembled
480	Holding Down Device ass.
484	Carriage 600 template
486	Carriage 600 cpl.
490	Feedspindle 721xTR20X12 ass.
492	Carriage Plate Template preass
494	Product Supporter top NSF cpl
496	Carriage Foot high cpl.
498	metal sheet insert cpl mach
500	Metal Sheet Insert cpl.
502	Holding Down Device ass.
506	Product Holder cpl. Carriage guide ruler
508	Product Holder Guide NSF cpl
510	Bolt NSF cpl
512	Holder preassembled
514	Carriage VSI 600 with guide ruler
516	Carriage Plate Template preass
518	Carriage 600 premounted
522	Feedspindle 721xTR20X12 ass.
524	Product Supporter top NSF cpl
526	Carriage Foot high cpl.

# Contents

528	metal sheet insert cpl mach
530	Metal Sheet Insert cpl.
532	Holding Down Device ass.
536	Product Holder cpl. Carriage guide ruler
538	Product Holder Guide NSF cpl
540	Bolt NSF cpl
542	Holder preassembled
544	Product Holder cpl. VSI
546	Carriage guide
548	Carriage guide cpl.
550	Carriage guide preass.
556	Cover preass.
558	Table
560	Conveyor belt drive
568	Conveyor Drive internal cpl.
570	Bushing preass with Belt Pulley
572	toothed belt pulley compl.
574	Motor Plate cpl
576	toothed belt pulley compl.
578	Conveyor Drive internal 3,5Nm cpl
580	Drive shaft with Belt Pulley S5M
582	Toothed belt pulley S5M Z16 10H7
584	Motor Plate 3,5 Nm cpl
586	Toothed belt pulley S5M Z16 8G7
588	Mounting Conveyor Scale cpl
590	Conveyor Scale prem
592	Mounting Conveyor cpl
596	Lock cpl
598	Conveyor belts
622	Conveyor Belt 256mm Flat Belt 30mm cpl
624	Conveyor Belt cpl
626	Traverse cpl
628	Conveyor Belt 256 mm cpl.
630	Conveyor Belt 256 mm pre.
632	Conveyor Belt 325 mm cpl.
634	Conveyor belt 475 mm cpl
636	Conveyor Belt 475 mm prem.
638	Conveyor Mounting cpl
640	Conveyor Belt 475 mm cpl.
642	Conveyor Belt 475 mm prem.
644	Microtriple-Reflector 20x40 pre mounted
646	Conveyor Mounting cpl
648	Conveyor Belt 720 mm cpl.
650	Conveyor Belt 720 mm prem.
654	Conveyor Belt 720 mm cpl.
656	Conveyor Belt 720 mm pre.

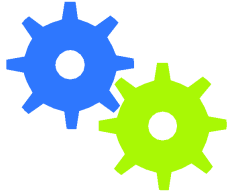
## Contents

660	Conveyor Belt 910 mm cpl
662	Conveyor Belt 910 mm prem.
666	Conveyor Mounting cpl
668	Conveyor Belt 910 mm cpl.
670	Conveyor Mounting cpl
672	Conveyor Belt 910 mm prem.
676	Microtriple-Reflector 20x40 pre mounted
678	Conveyor Belt 1165 mm cpl.
680	Conveyor Belt 1165 mm prem.
684	Conveyor Belt 1165 mm cpl.
686	Conveyor Belt 1165 mm pre.
690	Conveyor Belt 1165 mm cpl.
692	Conveyor Belt 1165 mm prem.
698	Microtriple-Reflector 20x40 pre mounted
700	Light barrier/light button
706	Light Barrier with Holder cpl
708	Light Barrier RK72/2 cpl. - AL Abgekündi
710	Laser Light Barrier with Holder cpl
712	Light barrier compl. Cabel 1450 mm
714	Light barrier Niro assembled VSI
716	Light Sensor with Holder cpl
718	Light Sensor HRTR 55/22-XL 1,8m cpl.
720	Chain frame drive
722	Drive Chainframe cpl
724	Chain Drive Shaft cpl
726	Chain frame + shaving deflector
730	Shaving Deflector
732	Chainframe stainless steel cpl. VSI
736	Slider Mounting cpl
738	Plastic roller wheel cpl.
740	Slider cpl
742	Terminal
756	Terminal Mounting Kit top cpl.
758	Terminal Mounting Kit top preassy.
760	Terminal Mounting Kit bottom cpl
762	Terminal Front cpl.
766	Terminal Front and CPU
768	Apalis carrierboard + iMX6 1GB Quad
770	Terminal Front cpl. VSI
774	Terminal Front and CPU VSI
776	Terminal Front preassembled VSI
778	Apalis carrierboard + iMX6 1GB Quad
780	Drive depositing arm
782	Depositing Drive cpl
784	Depositing Arm Lever cpl.
786	Depositing arm

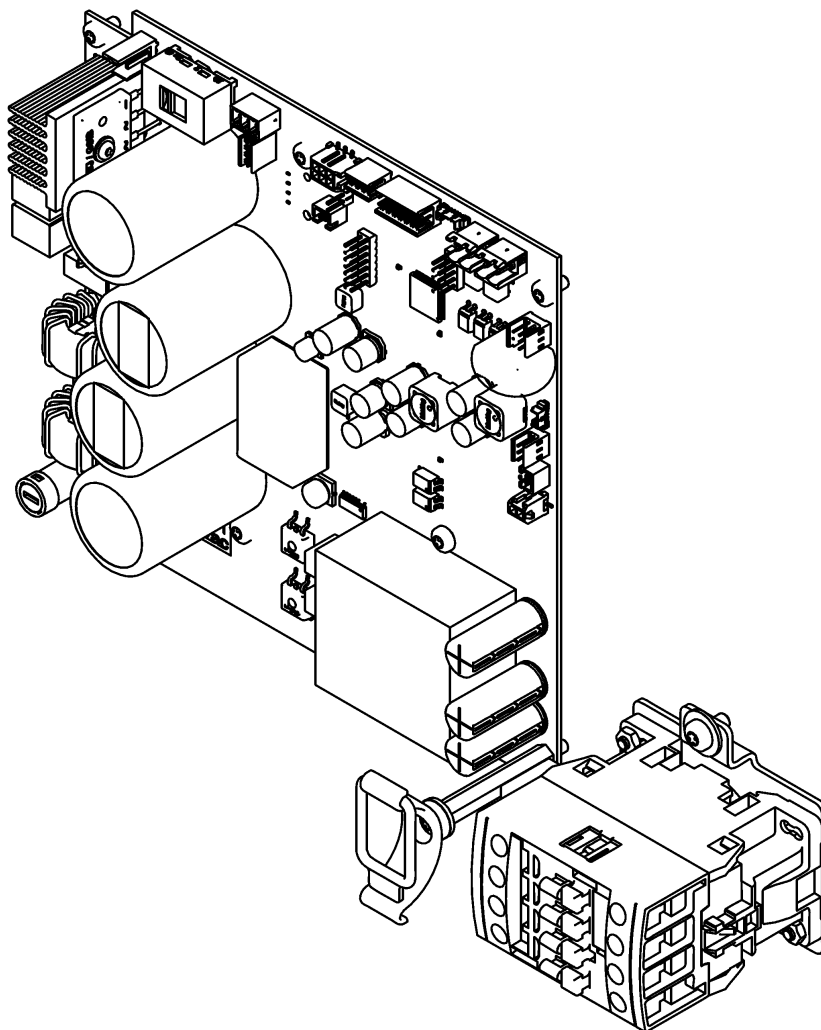
# Contents

788	Depositing arm cpl
790	Elektronics
802	Option I/O-Module
804	Mounting Plate cpl
806	Option Scale Terminal bottom cpl
808	Option Scale Terminal bottom cpl
810	Option Scale Terminal top cpl
812	Option Scale Terminal top cpl
814	grinding device
818	Grinder VSI F 330 cpl.
820	UVV Sharpener preass. GSP
822	Grinder VSI 330 cpl.
824	Sharpener preassembled UVV VSP/GSP/VSI
826	Bench
832	Stand mobile VSI cpl
834	Lever cpl.
836	ACCESSORY KIT FOR BENCH FIXATION
838	Stand stationary cpl
840	ACCESSORY KIT FOR BENCH FIXATION
842	Stand mobile cpl
844	Lever cpl.
846	ACCESSORY KIT FOR BENCH FIXATION
848	Power connections
870	Power Connection Cable USA CAN cpl.
872	Power Connection Cable ZA cpl. Type M
874	Power Connection Cable IN cpl.
876	PowerCable USA CAN cpl high-strength VSI
878	Identification plates
884	Plates
914	Accessories
920	Accessories Kit for automatic Slicer
922	VSI calibration touch controller
924	Packaging

## Voltage type



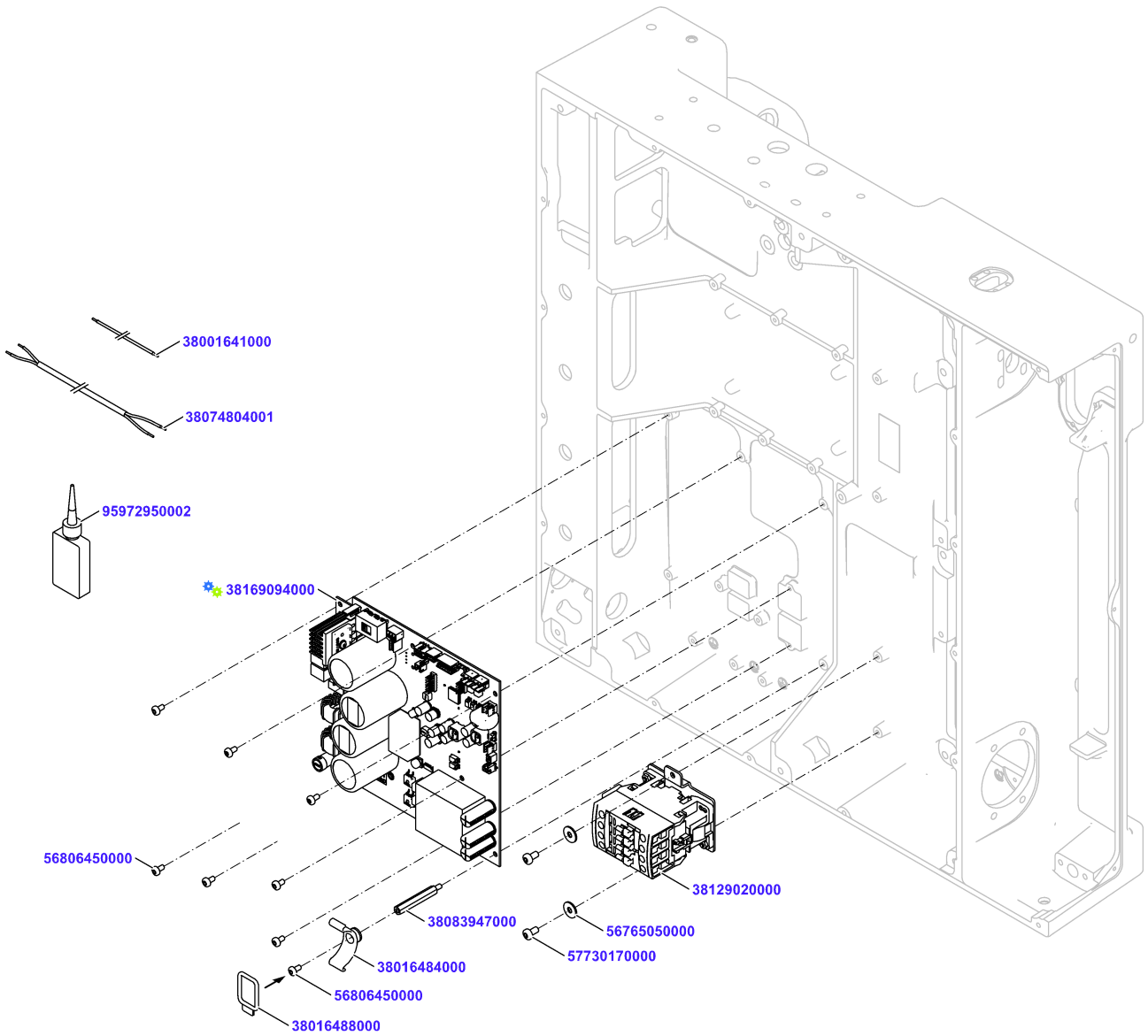
**38169040000**



## Voltage type

Material No.	Qty	Material description	available for order	Wear part	Recomm. sp. part	Metr. relevance
<a href="#">38169040000</a>	1	Power Supply 100-240V cpl				

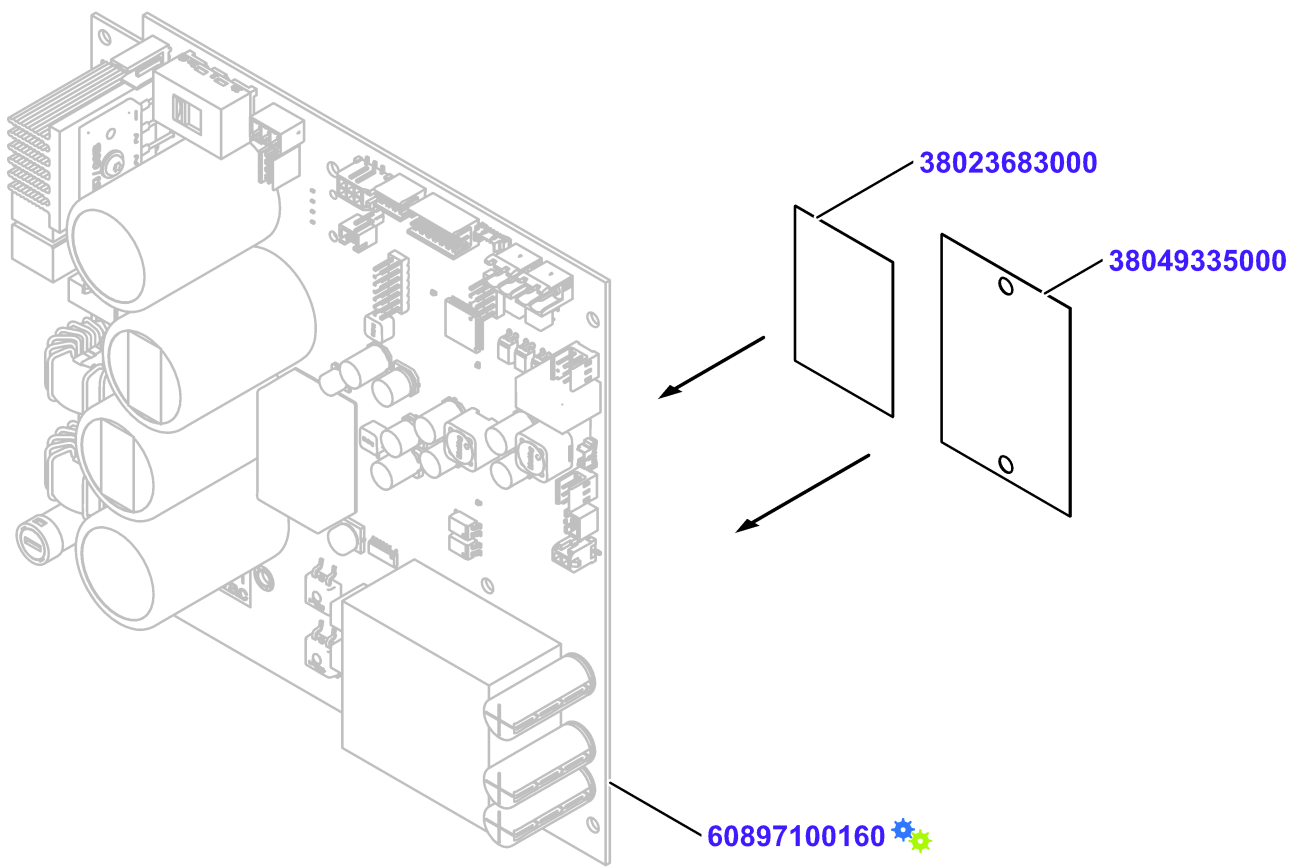
# Power Supply 100-240V cpl



## Power Supply 100-240V cpl

Material No.	Qty	Material description	available for order	Wear part	Recomm. sp. part	Metr. relevance
<a href="#">38169094000</a>	1	Prog.+Power Supply 100-240V+Wärmepad				
<a href="#">56806450000</a>	7	Oval-head screw ISO14583 M4x8-A2-70-T20				
<a href="#">38083947000</a>	1	Distance bolt SW7x45 M4-M4 In-Out				
<a href="#">38016484000</a>	1	Cradle Clip C3				
<a href="#">56806450000</a>	1	Oval-head screw ISO14583 M4x8-A2-70-T20				
<a href="#">38016488000</a>	1	Retaining Ring R3				
<a href="#">38129020000</a>	1	Power Contactor preass.				
<a href="#">95972950002</a>	0,001	Loctite 243 50 ml				
<a href="#">57730170000</a>	2	Oval-head screw ISO14583 M5x10-A2-70-T25				
<a href="#">56765050000</a>	2	Washer DIN9021-5-A2				
<a href="#">38001641000</a>	2	Ka Li BK 1qmm 0,080m				
<a href="#">38074804001</a>	2	Ca Rd 2x0,75qmm 0,45m				

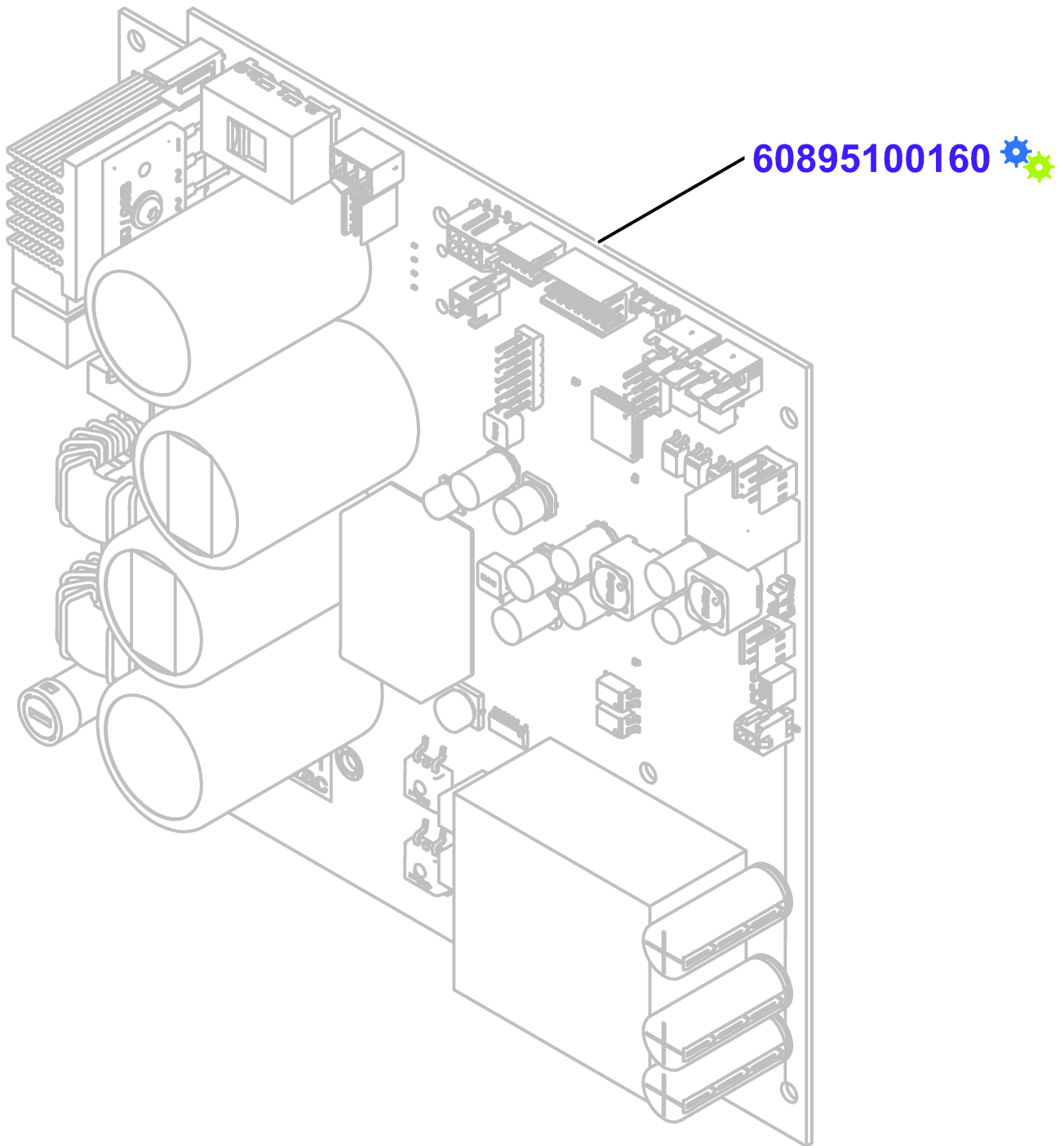
# Prog.+Power Supply 100-240V+Wärmepad



# Prog.+Power Supply 100-240V+Wärmepad

Material No.	Qty	Material description	available for order	Wear part	Recomm. sp. part	Metr. relevance
<a href="#">60897100160</a>	1	PCBAP Power Supply VSI				
<a href="#">38023683000</a>	1	Thermal Pad 38x52x0,2 pink	✓			
<a href="#">38049335000</a>	1	Thermal Pad	✓			

# PCBAP Power Supply VSI



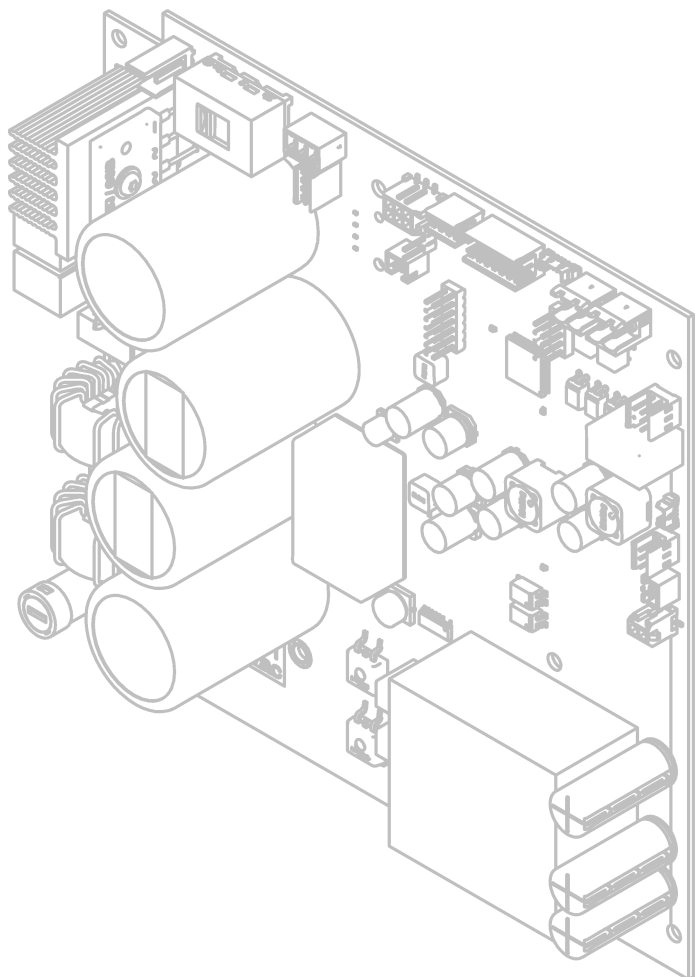
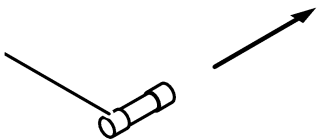
# PCBAP Power Supply VSI

Material No.	Qty	Material description
<a href="#">60895100160</a>	1	PCBA PowerSupply VSI

available for order	Wear part	Recomm. sp. part	Metr. relevance


# PCBA PowerSupply VSI

71451870000

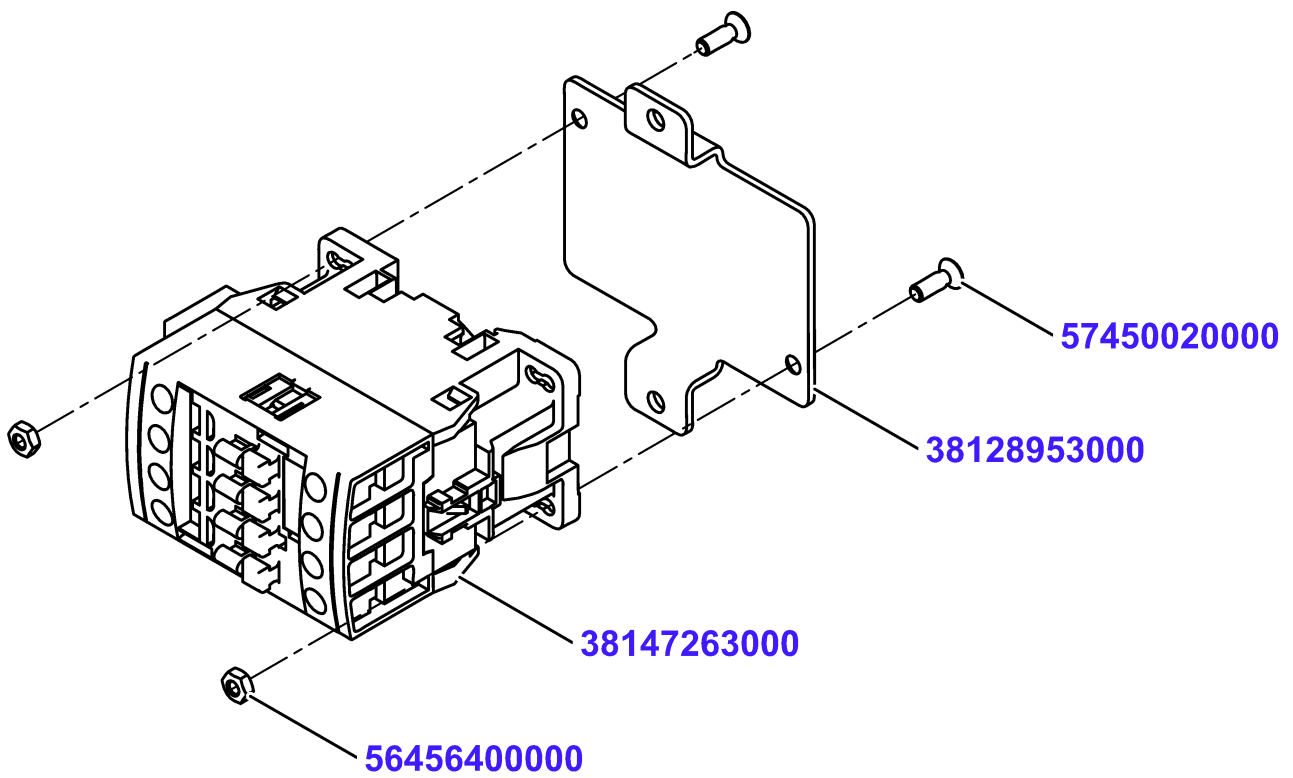


# PCBA PowerSupply VSI

Material No.	Qty	Material description
<a href="#">71451870000</a>	1	FUSE 8,0T UL 215008.P

	available for order
	Wear part
	Recomm. sp. part
	Metr. relevance

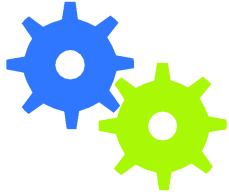
## Power Contactor preass.



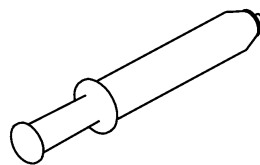
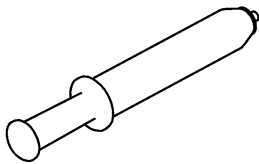
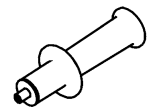
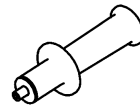
## Power Contactor preass.

Material No.	Qty	Material description	available for order	Wear part	Recomm. sp. part	Metr. relevance
<a href="#">57450020000</a>	2	Countersunk screw DIN965 M4x12-A2-70-T20	✓			
<a href="#">56456400000</a>	2	Hexagon nut DIN934-M4-A2	✓			
<a href="#">38128953000</a>	1	Plate 91x80x12x2	✓			
<a href="#">38147263000</a>	1	Contactora 100-250 AC/DC 4 kW	✓			

## Machine housing



**38064575002**

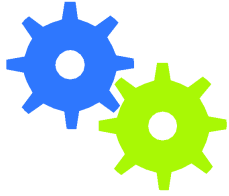


# Machine housing

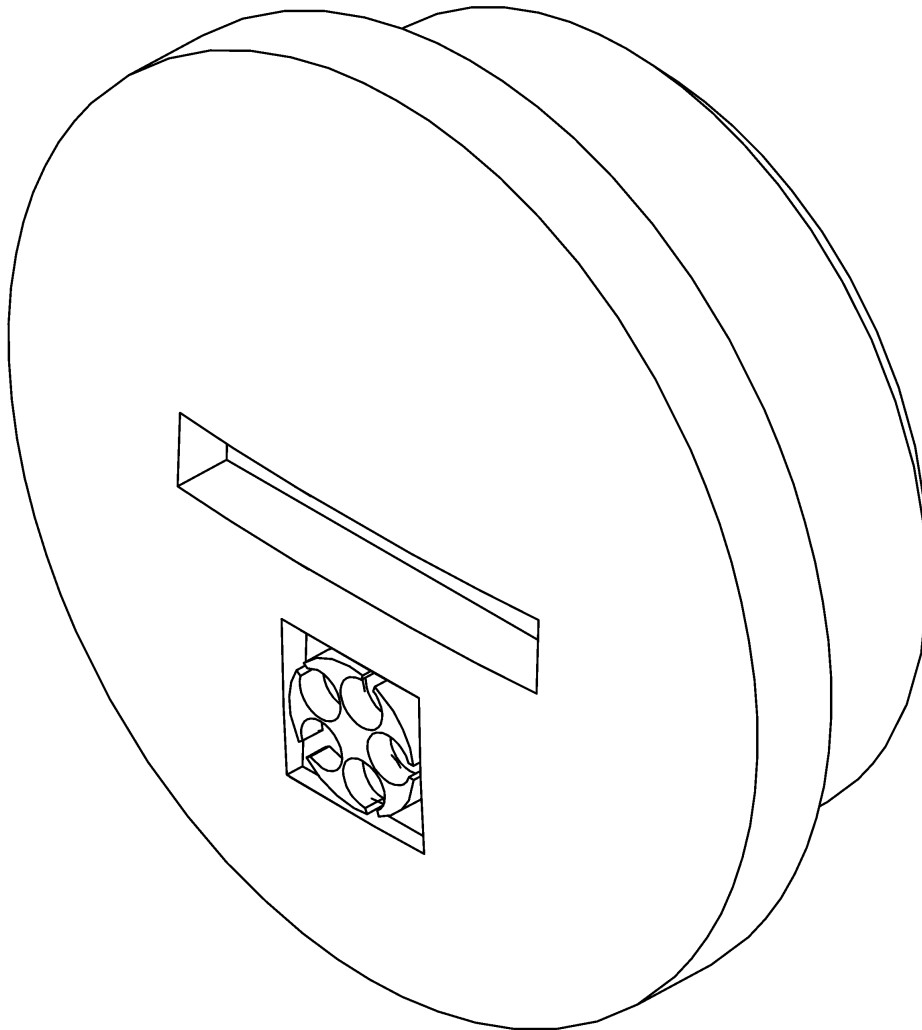
Material No.	Qty	Material description
<a href="#">38064575002</a>	1	Carry Handles Set VSI

available for order
Wear part
Recomm. sp. part
Metr. relevance

## Machine housing



**38079006000**



# Machine housing

Material No.	Qty	Material description
--------------	-----	----------------------

<a href="#">38079006000</a>	1	Screw Plug Motor cpl
-----------------------------	---	----------------------

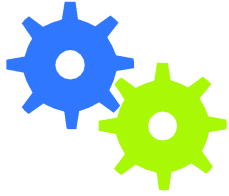
available for order

Wear part

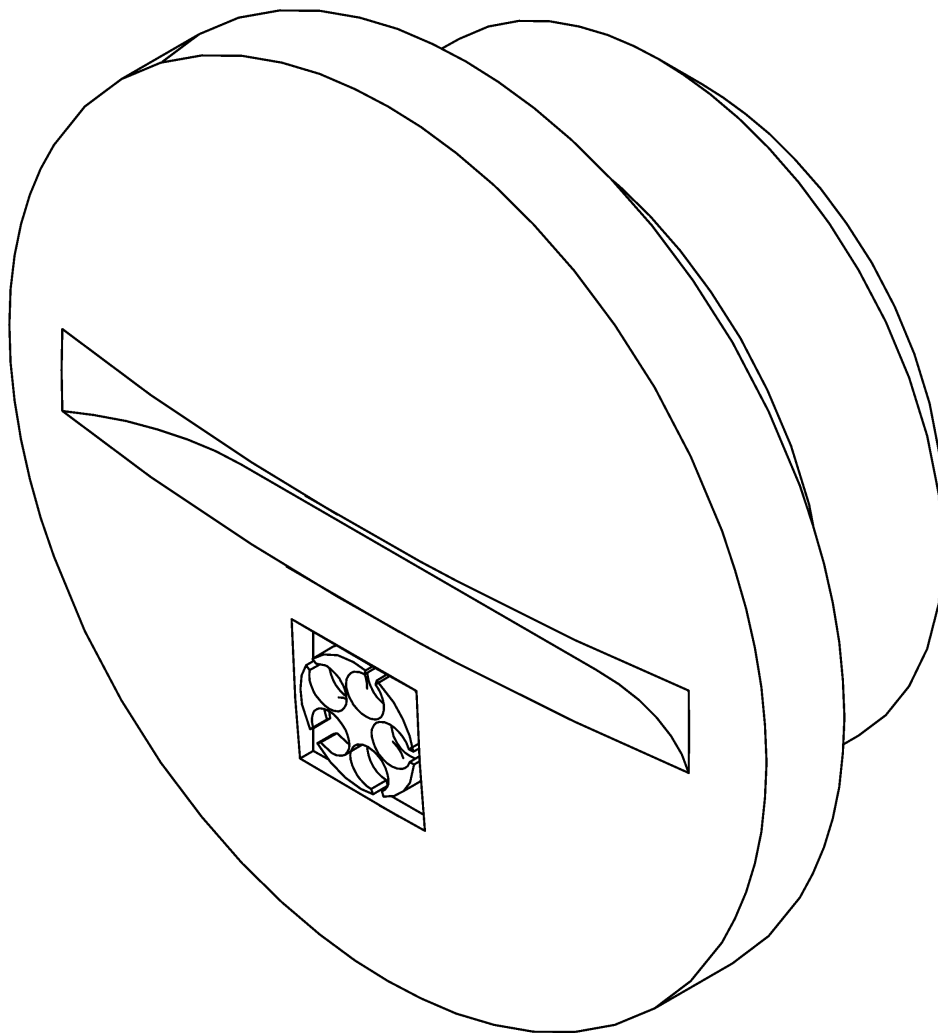
Recomm. sp. part

Metr. relevance

## Machine housing



**38079007000**



# Machine housing

Material No.	Qty	Material description
<a href="#">38079007000</a>	1	Screw Plug Light Barrier cpl

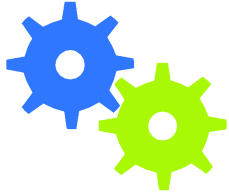
available for order

Wear part

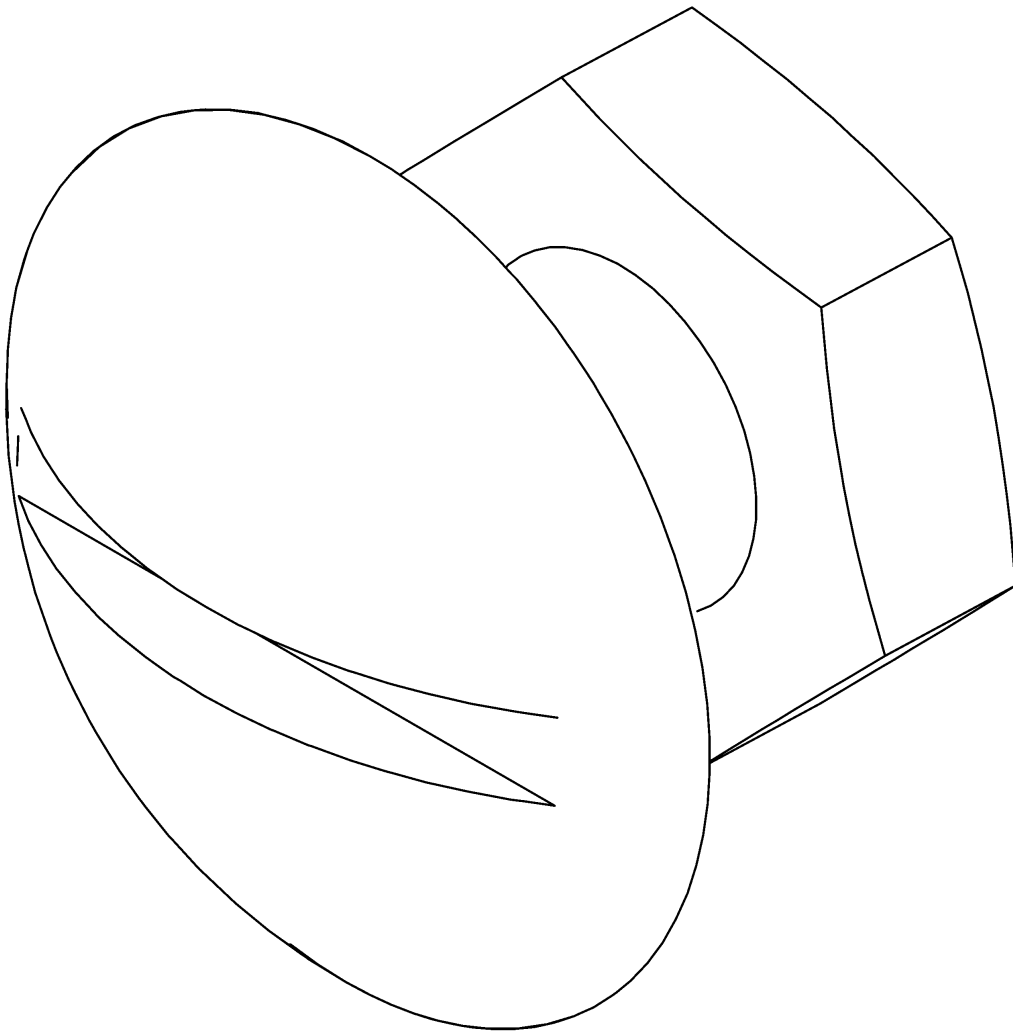
Recomm. sp. part

Metr. relevance

# Machine housing



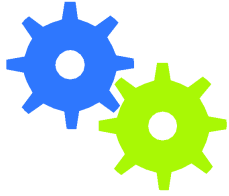
**38079008001**



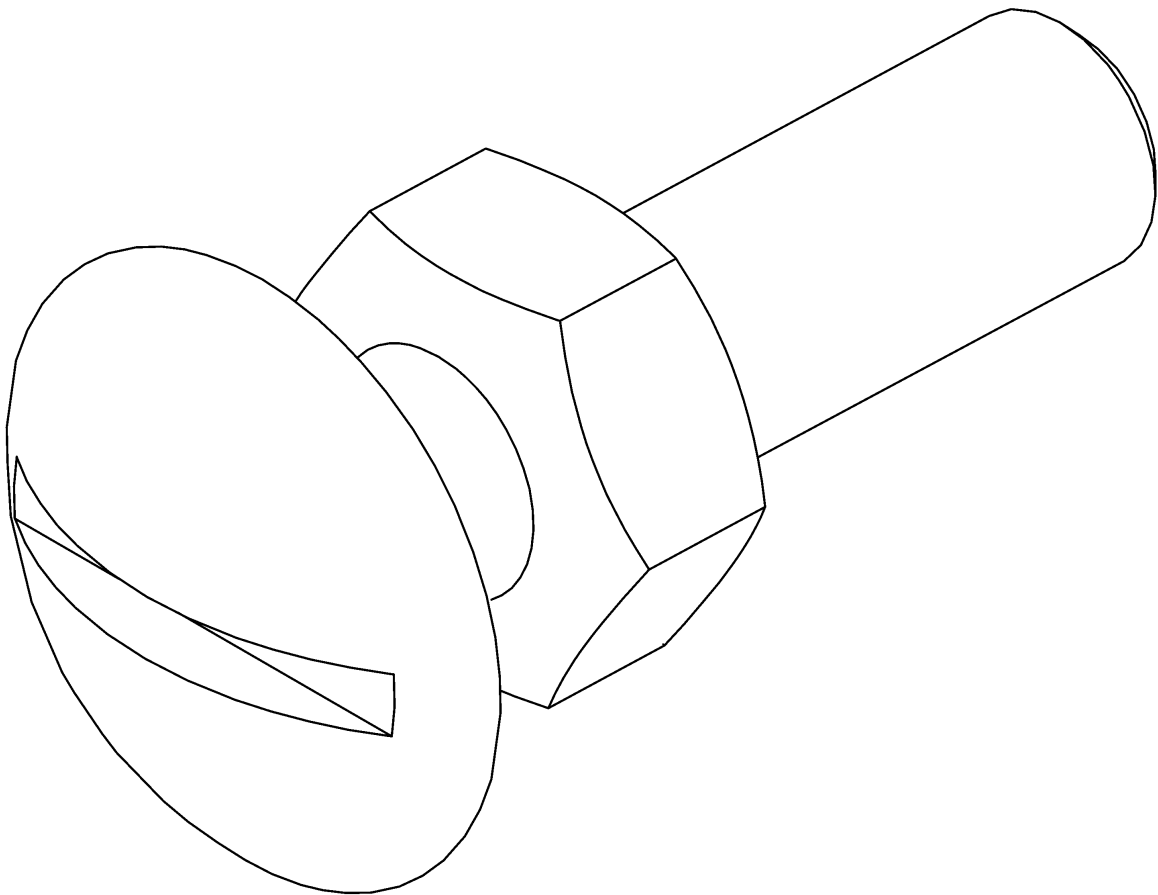
# Machine housing

Material No.	Qty	Material description	available for order	Wear part	Recomm. sp. part	Metr. relevance
38079008001	1	Screw Plug Machine Housing cpl				

# Machine housing



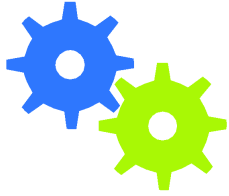
**38079016000**



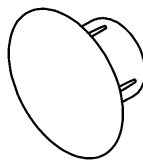
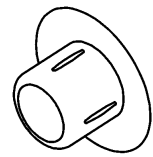
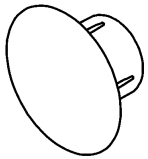
# Machine housing

Material No.	Qty	Material description	available for order	Wear part	Recomm. sp. part	Metr. relevance
<a href="#">38079016000</a>	1	Screw Plug Drive Housing cpl				

# Machine housing



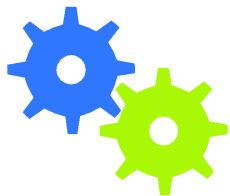
**38086177000**



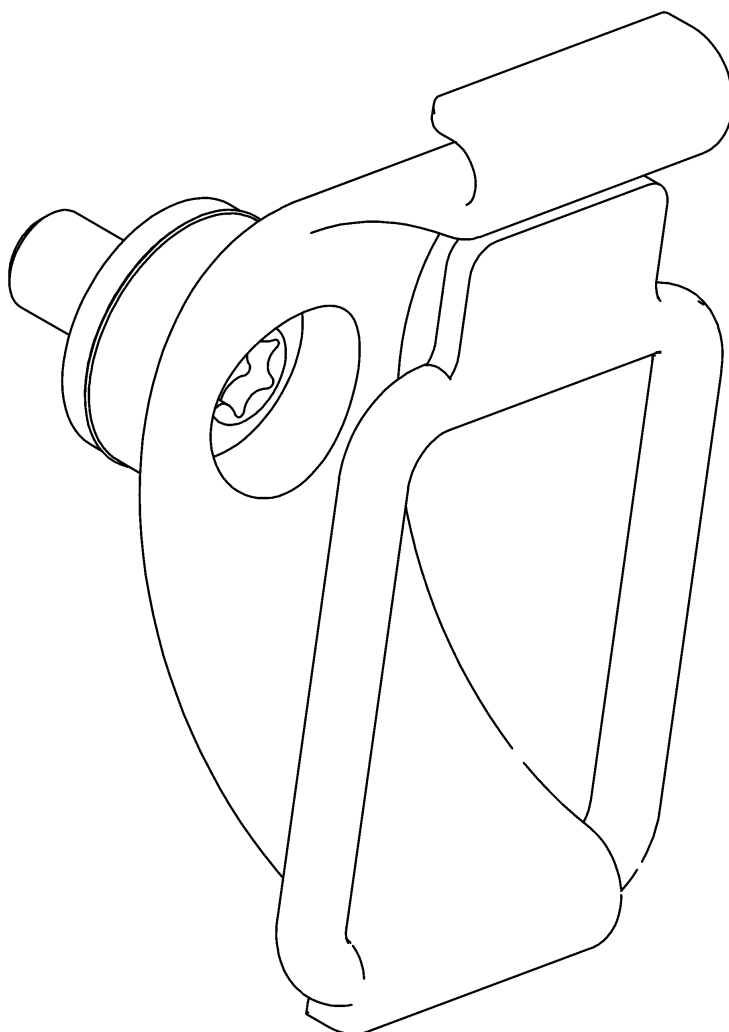
# Machine housing

Material No.	Qty	Material description	available for order	Wear part	Recomm. sp. part	Metr. relevance
<a href="#">38086177000</a>	1	Covering Cap Set Carry Handles				

# Machine housing



**38095246000**



# Machine housing

Material No.	Qty	Material description
--------------	-----	----------------------

<a href="#">38095246000</a>	1	Cable Fixing cpl.
-----------------------------	---	-------------------

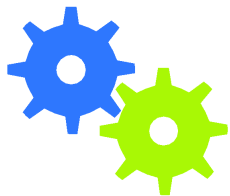
available for order

Wear part

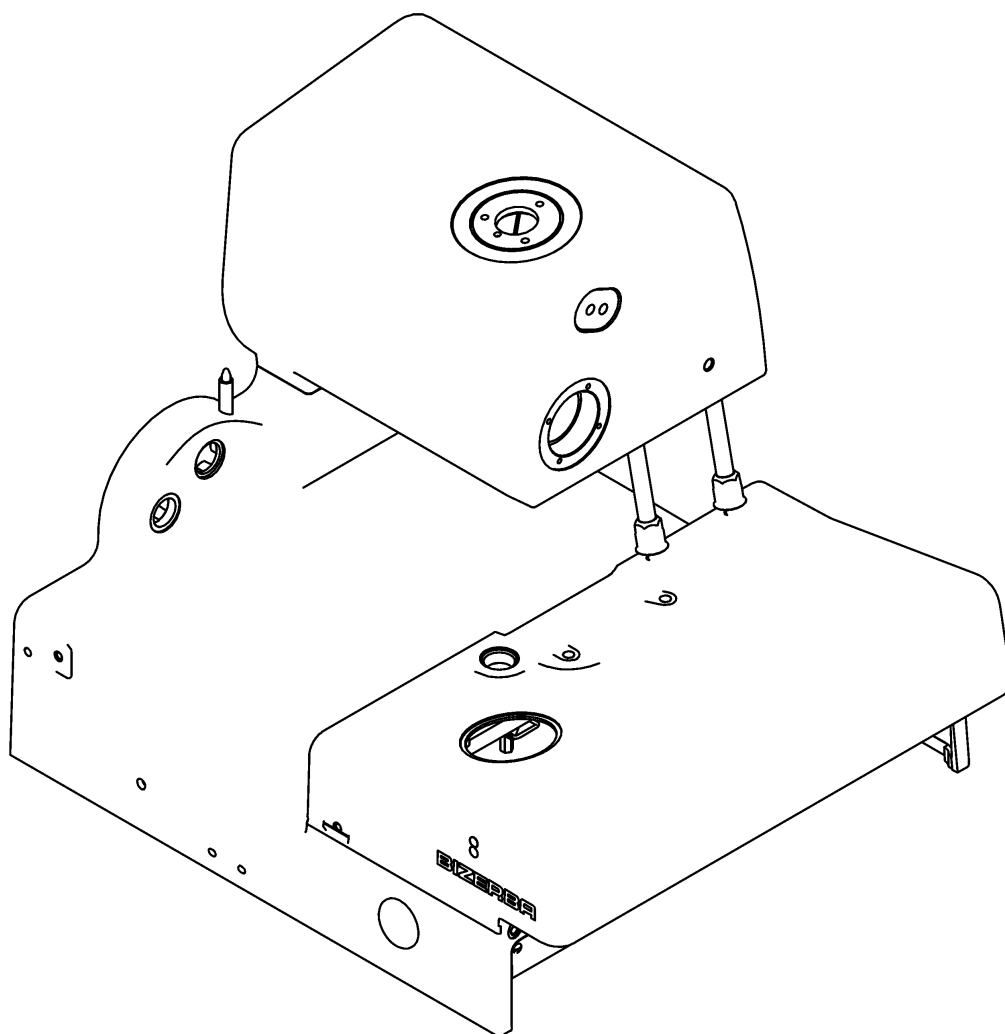
Recomm. sp. part

Metr. relevance

# Machine housing



**38139207001**



# Machine housing

Material No.	Qty	Material description
--------------	-----	----------------------

<a href="#">38139207001</a>	1	Housing Ti Dt
-----------------------------	---	---------------

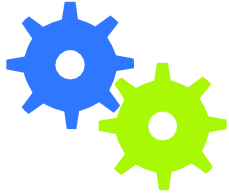
available for order

Wear part

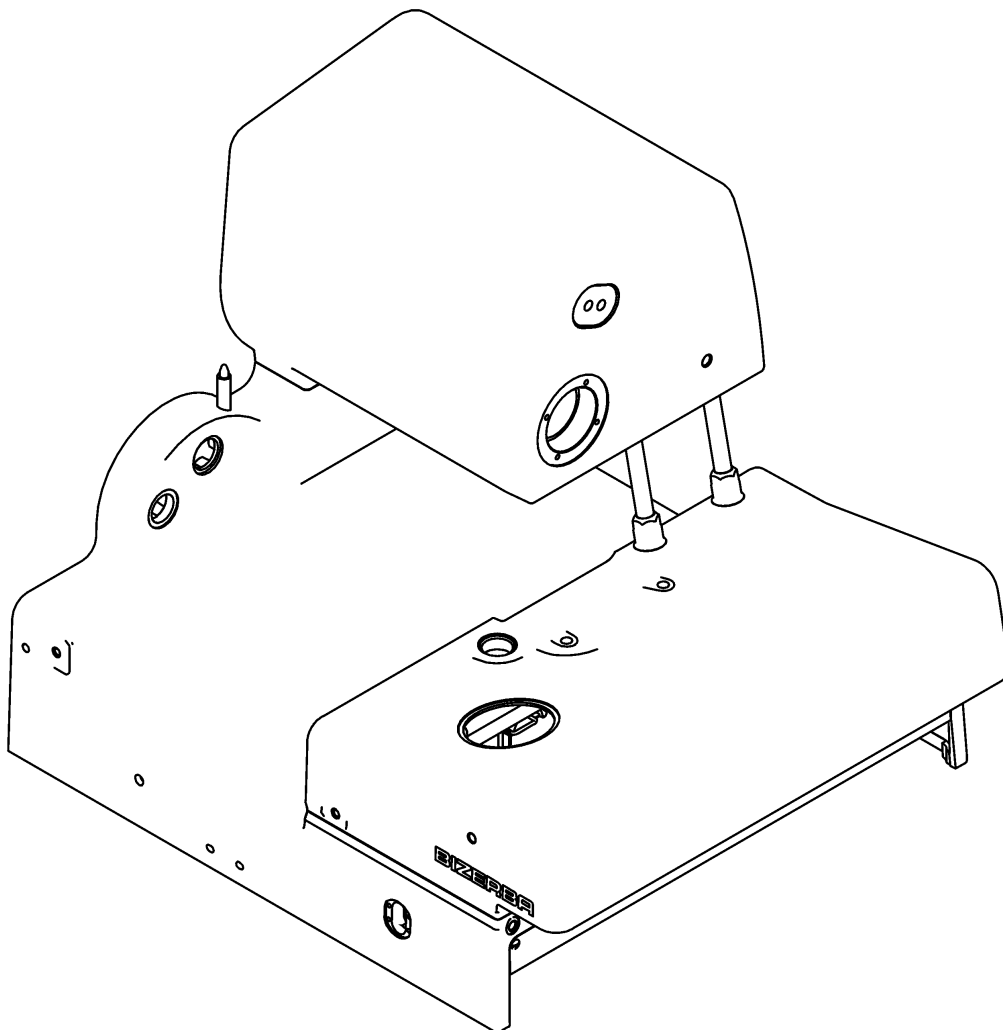
Recomm. sp. part

Metr. relevance

## Machine housing



**38139208001**



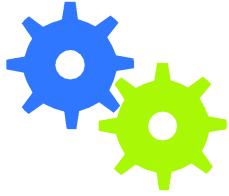
# Machine housing

**Material No.**    **Qty**    **Material description**

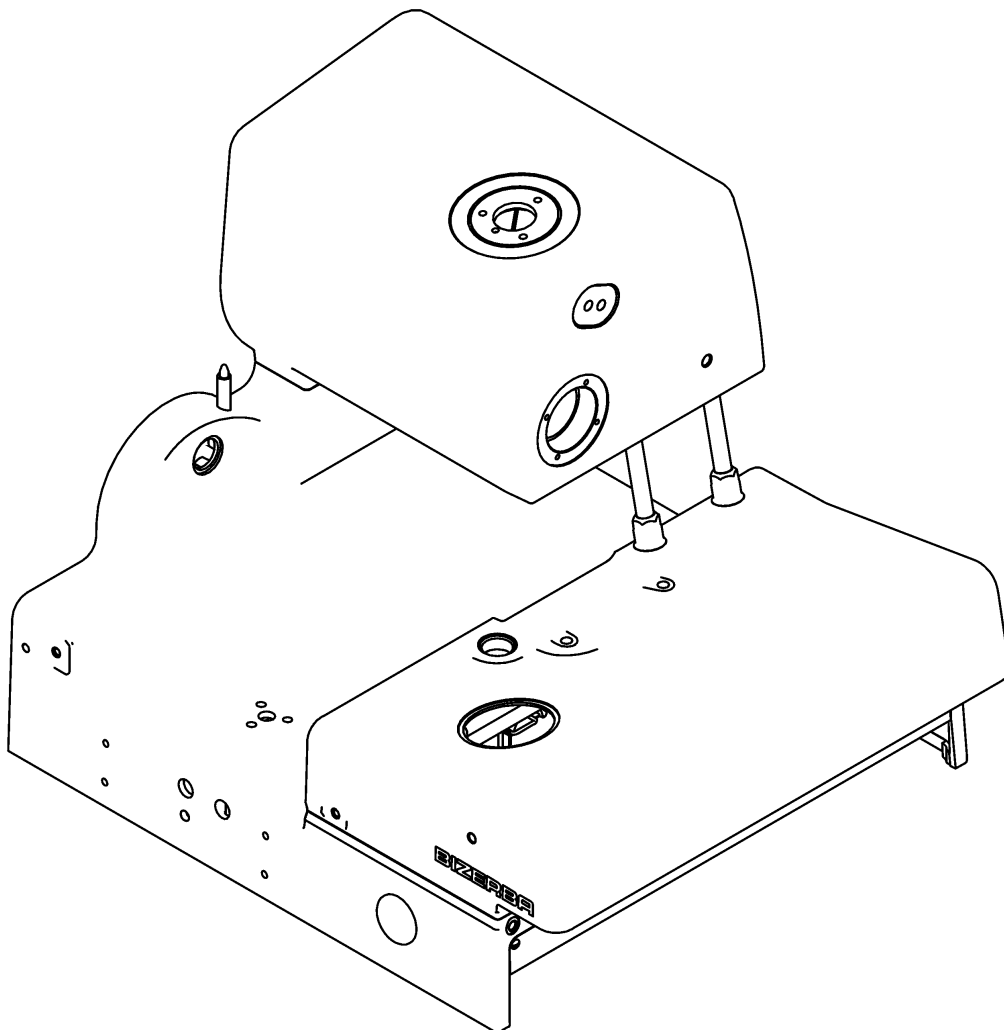
[38139208001](#)    1    Housing Ti Db

available for order
Wear part
Recomm. sp. part
Metr. relevance

## Machine housing



**38139209001**



# Machine housing

Material No.	Qty	Material description
--------------	-----	----------------------

<a href="#">38139209001</a>	1	Housing Te W Dt
-----------------------------	---	-----------------

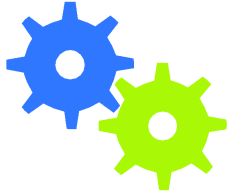
available for order

Wear part

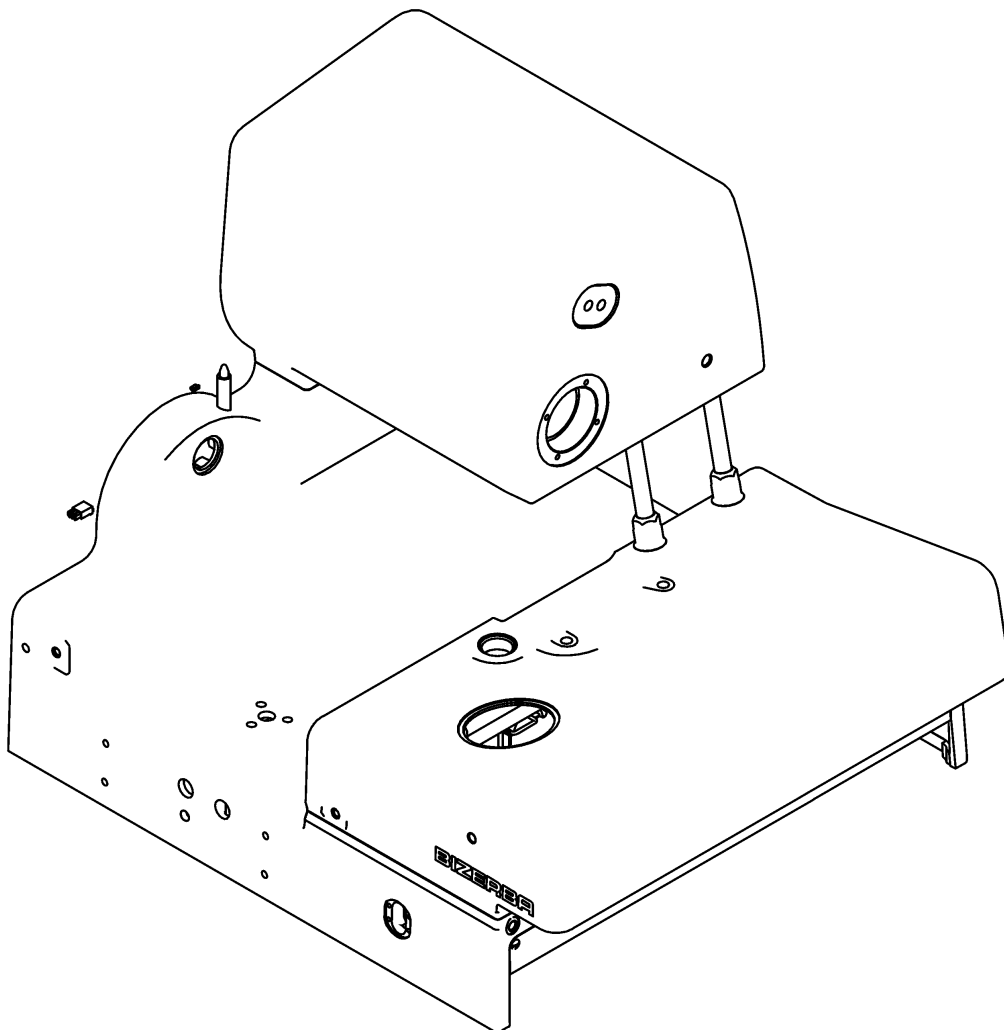
Recomm. sp. part

Metr. relevance

## Machine housing



**38139210001**



# Machine housing

Material No.	Qty	Material description
--------------	-----	----------------------

<a href="#">38139210001</a>	1	Housing Te W Db
-----------------------------	---	-----------------

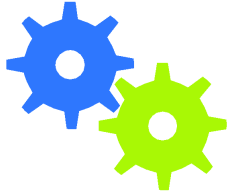
available for order

Wear part

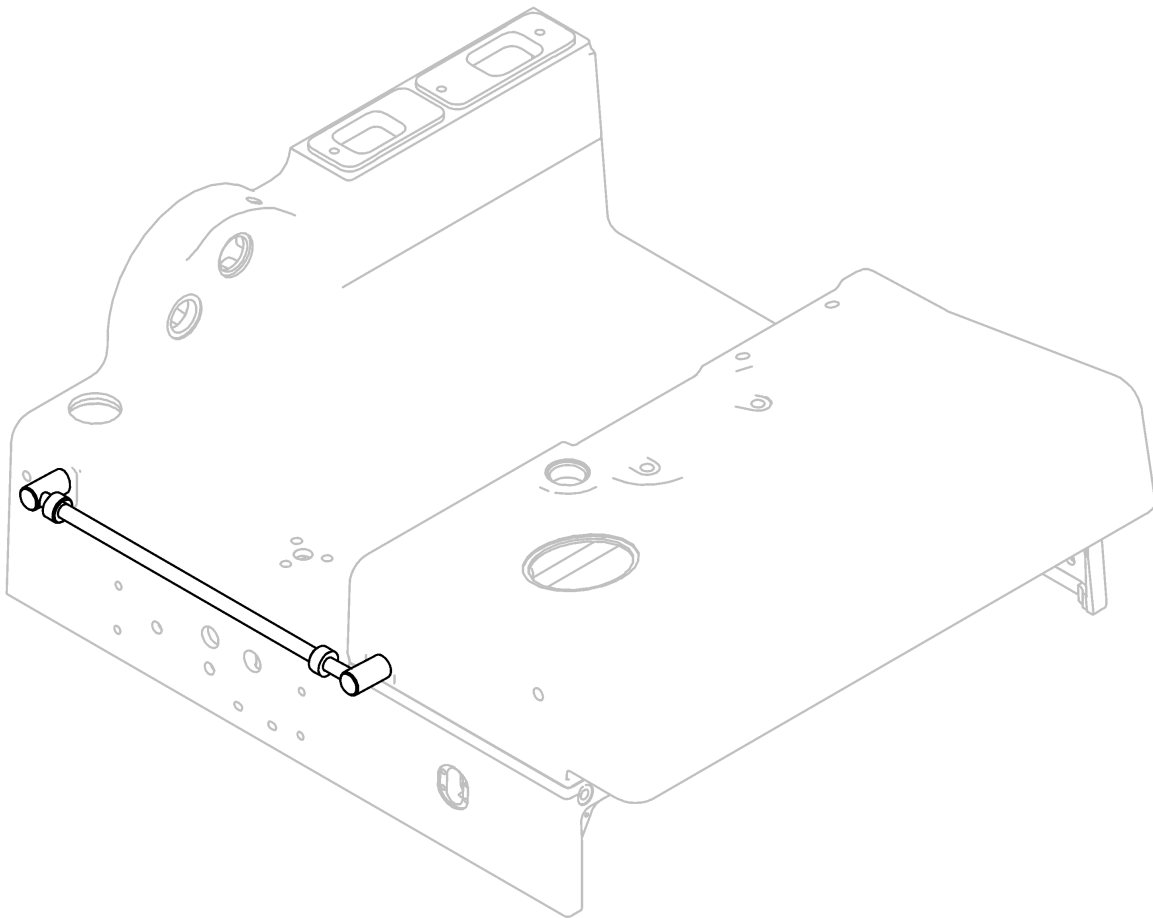
Recomm. sp. part

Metr. relevance

## Machine housing



**38145487000**



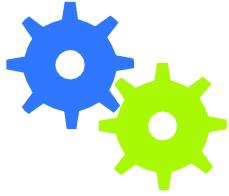
# Machine housing

**Material No.**    **Qty**    **Material description**

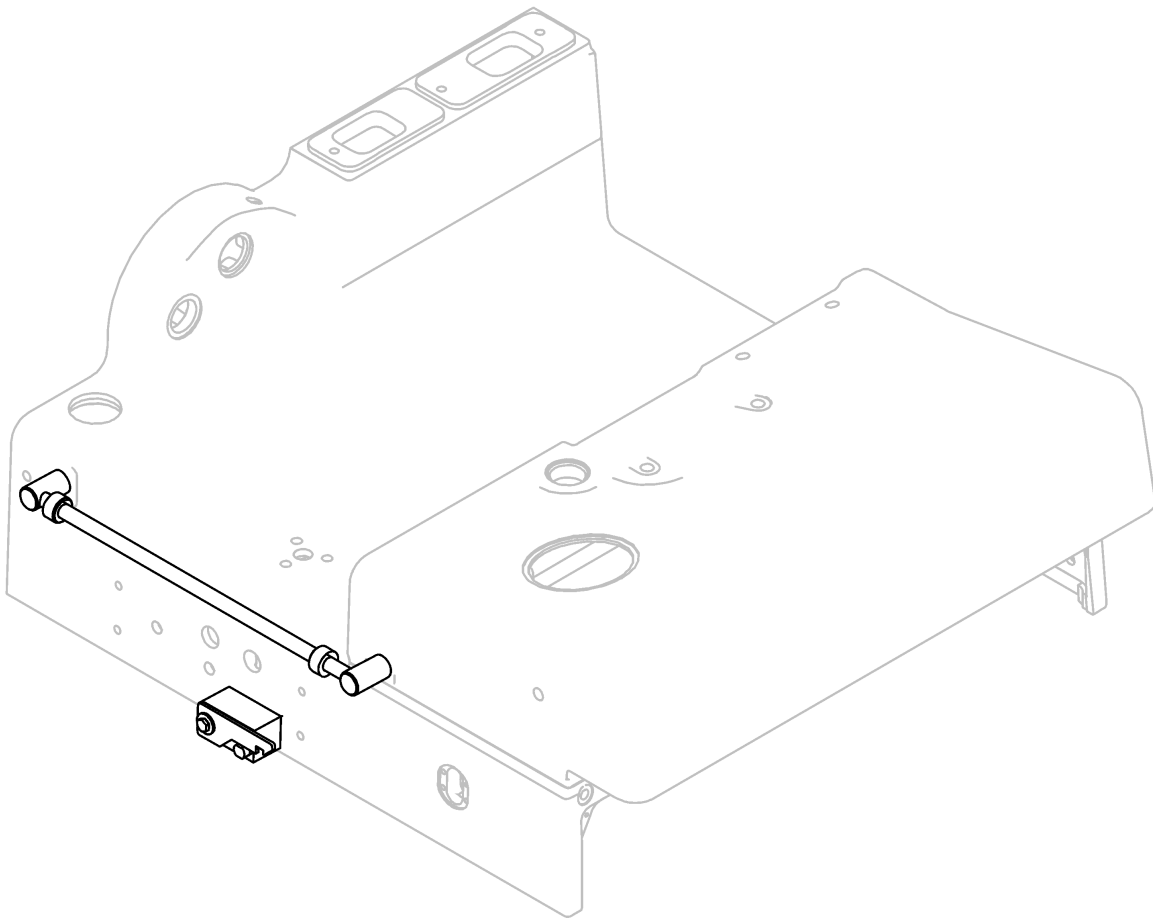
[38145487000](#)    1    Fixing axis scale cpl.

available for order
Wear part
Recomm. sp. part
Metr. relevance

## Machine housing



**38145488000**



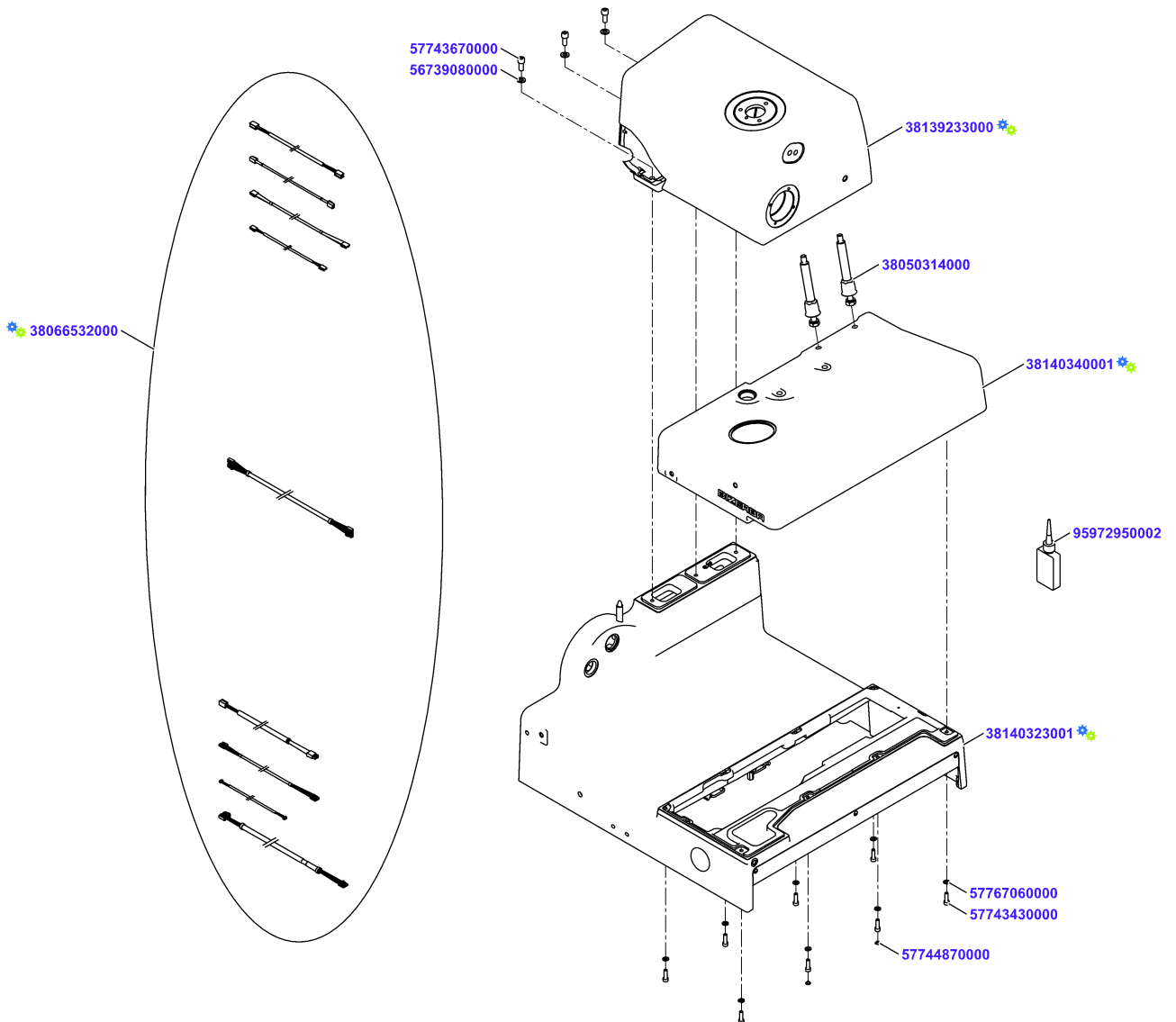
# Machine housing

**Material No.**    **Qty**    **Material description**

[38145488000](#)    1    Fixing Axis cpl.

available for order
Wear part
Recomm. sp. part
Metr. relevance

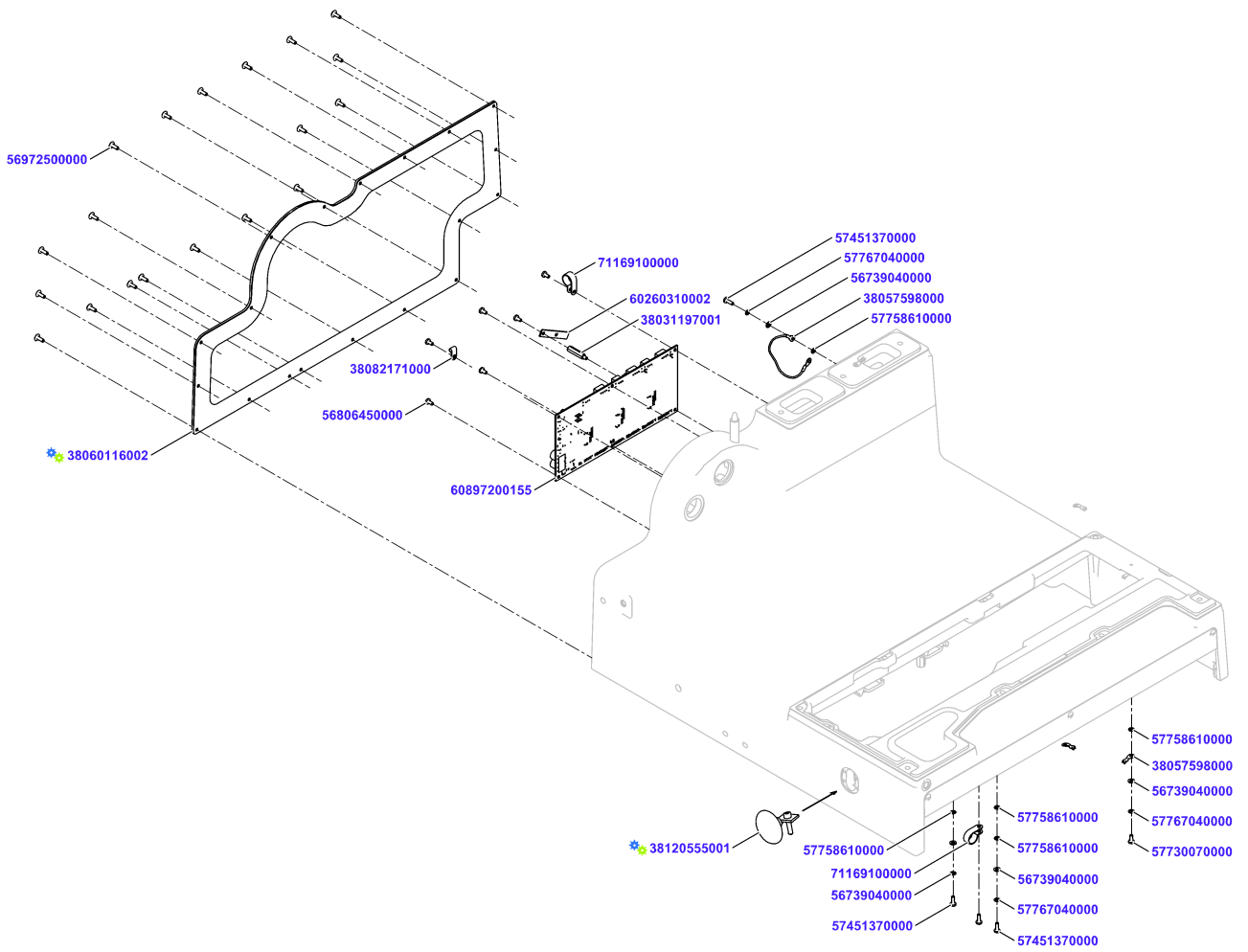
# Housing Ti Dt



# Housing Ti Dt

Material No.	Qty	Material description	available for order	Wear part	Recomm. sp. part	Metr. relevance
<a href="#">38140323001</a>	1	Drive Housing Ti Dt cpl				
<a href="#">38140340001</a>	1	Machine Housing cpl.				
<a href="#">57743430000</a>	8	Cylinder screw DIN 912-M6x20-A2-70	✓			
<a href="#">57767060000</a>	8	Spring lock washer DIN128-A6-FSt	✓			
<a href="#">57744870000</a>	2	Protective plug 10x5,2x3,1-PE	✓		✓	
<a href="#">38050314000</a>	1	Support motortower cpl	✓			
<a href="#">38139233000</a>	1	Motor Tower Dt cpl				
<a href="#">57743670000</a>	3	Cylinder screw DIN912 M8x20-A2-70	✓			
<a href="#">56739080000</a>	3	Washer DIN125-A-8-A2	✓			
<a href="#">95972950002</a>	1	Loctite 243 50 ml	✓			
<a href="#">38066532000</a>	1	Cable set standard				

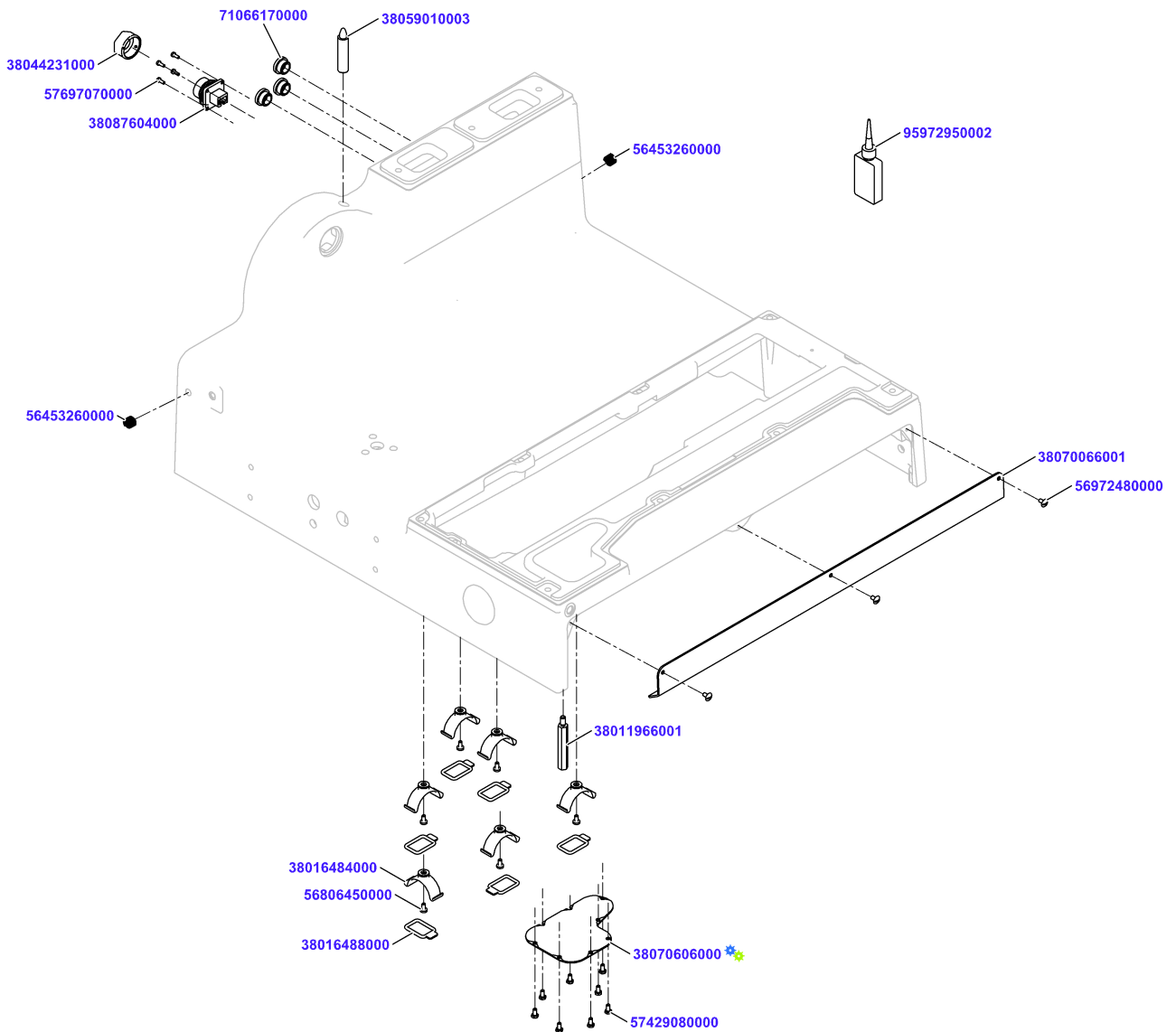
# Drive Housing Ti Dt cpl



















# Drive Housing Ti Dt cpl

Material No.	Qty	Material description	available for order	Wear part	Recomm. sp. part	Metr. relevance
56806450000	6	Oval-head screw ISO14583 M4x8-A2-70-T20	✓			
60897200155	1	PCBAP MC 3ph 6ch lv bus	✓			
38082171000	1	Fastening Clip 3mm closed metal	✓			
71169100000	1	Cable Clamp nylon 14mm NK-10N	✓			
38031197001	1	Thread Bolt M4	✓			
60260310002	1	Sheet strap 60x10x1,5	✓			
56806450000	6	Oval-head screw ISO14583 M4x8-A2-70-T20	✓			
38057598000	1	Ka Li GN/YE AWG18 0,22m	✓			
57451370000	1	Oval-head screw ISO14583 M4x12-A2-70-T20	✓			
57767040000	1	Spring lock washer DIN128-A4-FSt	✓			
56739040000	1	Washer DIN125-A 4.3-A2-70	✓			
57758610000	1	Toothed washer DIN6797-A 4,3-Fst	✓			
38057598000	1	Ka Li GN/YE AWG18 0,22m	✓			
57730070000	1	Oval-head screw ISO14583 M4x10-A2-70-T20	✓			
57767040000	1	Spring lock washer DIN128-A4-FSt	✓			
56739040000	1	Washer DIN125-A 4.3-A2-70	✓			
57758610000	1	Toothed washer DIN6797-A 4,3-Fst	✓			
57451370000	1	Oval-head screw ISO14583 M4x12-A2-70-T20	✓			
71169100000	1	Cable Clamp nylon 14mm NK-10N	✓			
57451370000	2	Oval-head screw ISO14583 M4x12-A2-70-T20	✓			
57767040000	2	Spring lock washer DIN128-A4-FSt	✓			
56739040000	1	Washer DIN125-A 4.3-A2-70	✓			
57758610000	3	Toothed washer DIN6797-A 4,3-Fst	✓			
56739040000	1	Washer DIN125-A 4.3-A2-70	✓			
38060116002	1	Cover Drivehousing prem	✓			
56972500000	19	Mushroom head screw M4x12-A2-70	✓			
38120555001	1	Sealing Cover Compl.	✓			

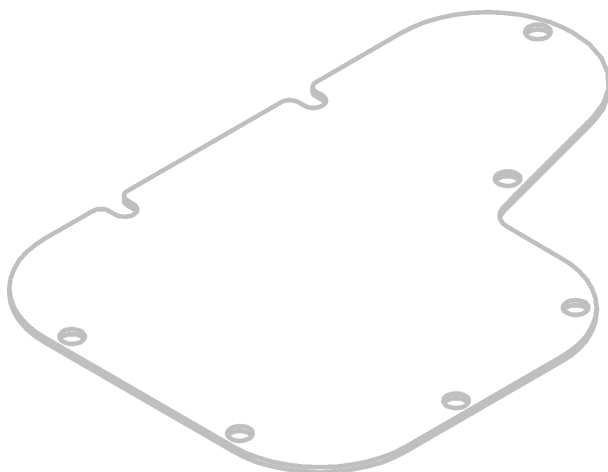
# Drive Housing Ti Dt cpl



## Drive Housing Ti Dt cpl

Material No.	Qty	Material description	available for order	Wear part	Recomm. sp. part	Metr. relevance
<a href="#">56453260000</a>	2	Threaded insert M10x10				
<a href="#">38059010003</a>	1	Catching Bolt				
<a href="#">95972950002</a>	1	Loctite 243 50 ml				
<a href="#">38016484000</a>	6	Cradle Clip C3				
<a href="#">56806450000</a>	6	Oval-head screw ISO14583 M4x8-A2-70-T20				
<a href="#">38016488000</a>	6	Retaining Ring R3				
<a href="#">56806450000</a>	6	Oval-head screw ISO14583 M4x8-A2-70-T20				
<a href="#">38011966001</a>	1	Distance bolt 10x60 M6-M6 In-Out				
<a href="#">38070066001</a>	1	Cover				
<a href="#">56972480000</a>	3	Mushroom head screw M4x8-A2-70 Tuflok				
<a href="#">38070606000</a>	1	Cover prem				
<a href="#">57429080000</a>	8	Hexagon screw DIN933 M4x8 A2-70				
<a href="#">38044231000</a>	1	Protection Cap Flangehousing				
<a href="#">38087604000</a>	1	Connector Metal Bayonett RJ45 Ethernet				
<a href="#">57697070000</a>	4	Cylinder screw DIN84 M3x8-A2-70				
<a href="#">71066170000</a>	3	Blind plug BLK- M16				

## Cover prem



# Cover prem

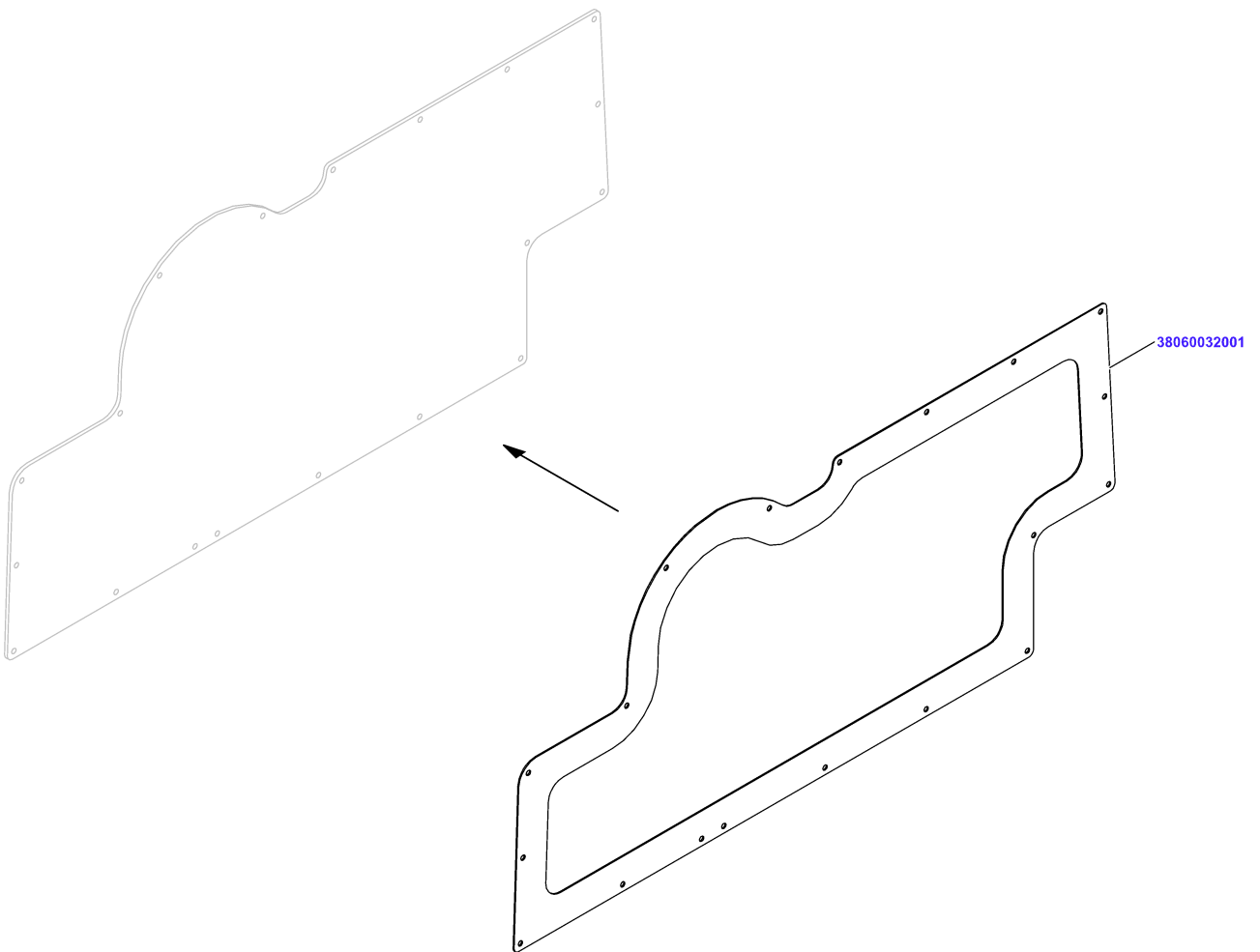
**Material No.**    **Qty**    **Material description**

[38058289002](#)    1    Sealing

available for order
Wear part
Recomm. sp. part
Metr. relevance



# Cover Drivehousing prem



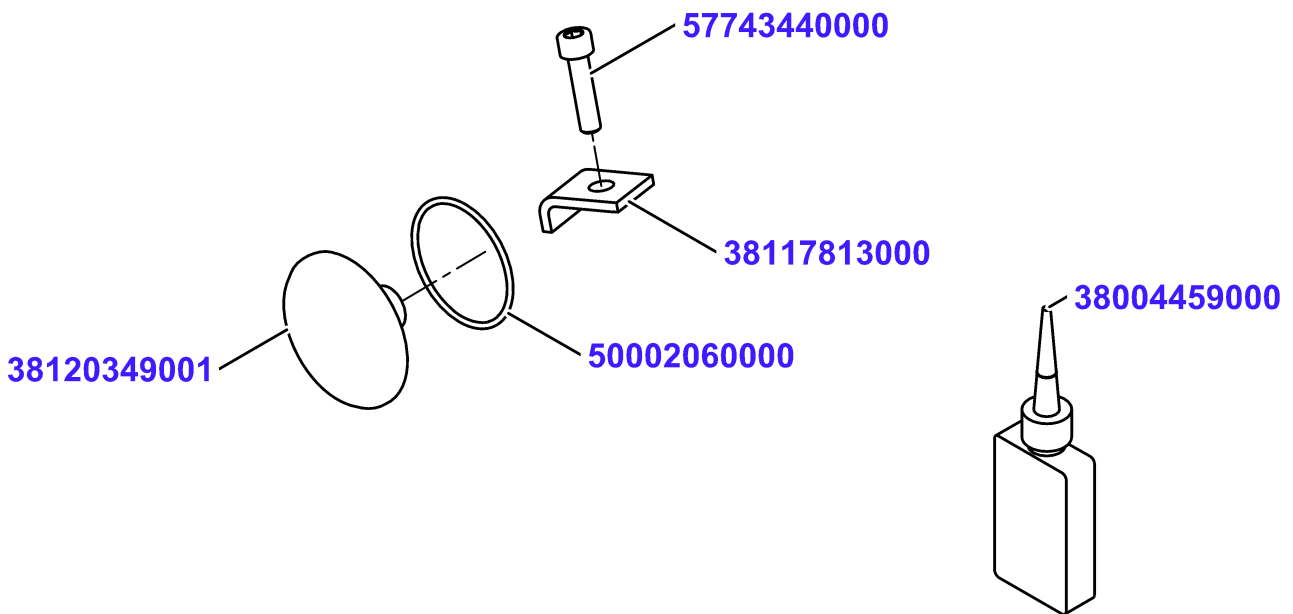
# Cover Drivehousing prem

Material No.	Qty	Material description
--------------	-----	----------------------






38060032001	1	Sealing
-------------	---	---------

available for order
Wear part
Recomm. sp. part
Metr. relevance

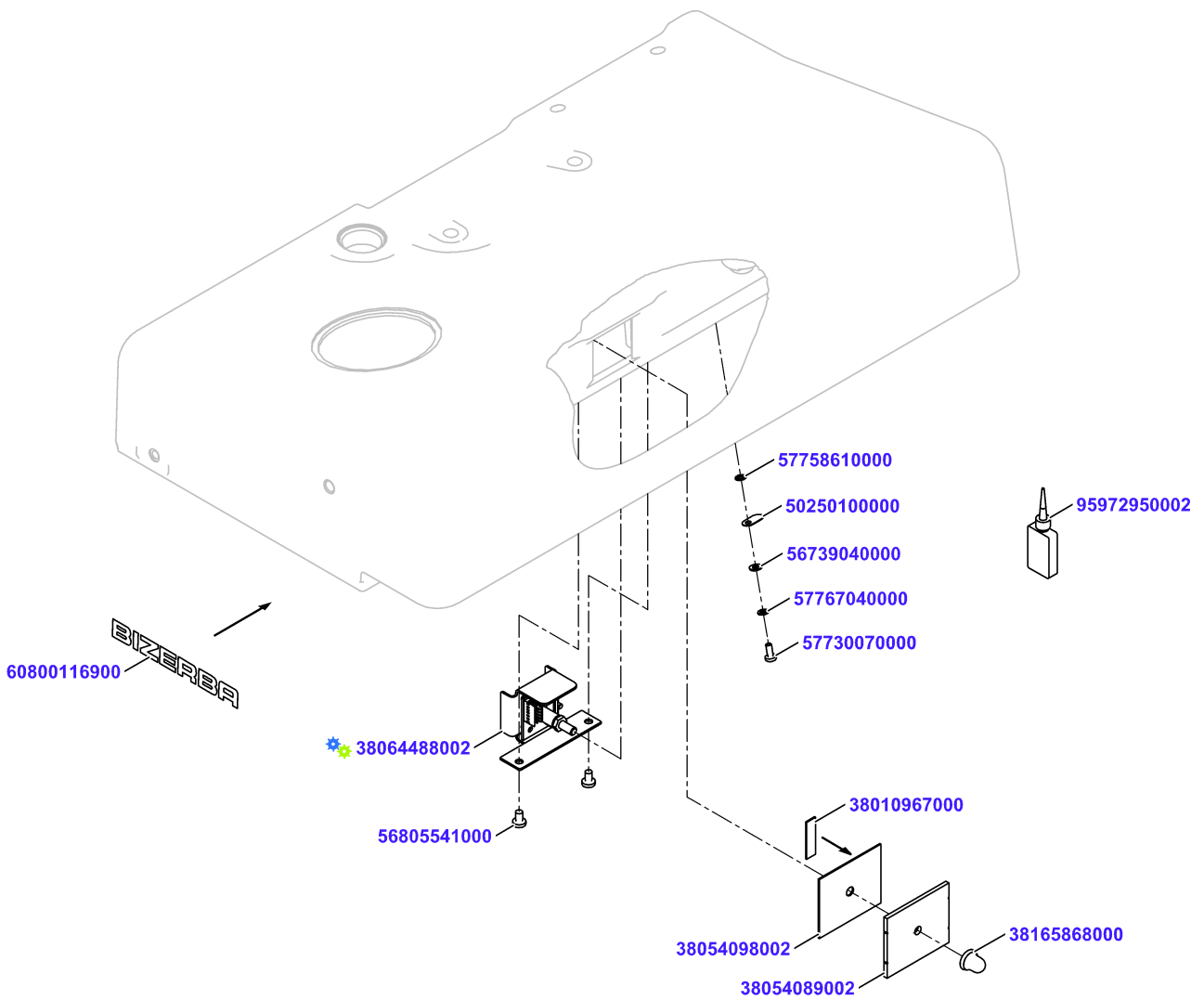
# Sealing Cover Compl.



## Sealing Cover Compl.

Material No.	Qty	Material description	available for order	Wear part	Recomm. sp. part	Metr. relevance
<a href="#">38120349001</a>	1	Sealing Cover 49 x 21				
<a href="#">38117813000</a>	1	Sheet Steel Angle 20x11,5x28x3				
<a href="#">50002060000</a>	1	O-ring DIN3771 37,82x1,78 NBR				
<a href="#">57743440000</a>	1	Cylinder screw DIN912 M6x25-A2-70				
<a href="#">38004459000</a>	0,001	Loctite 648				

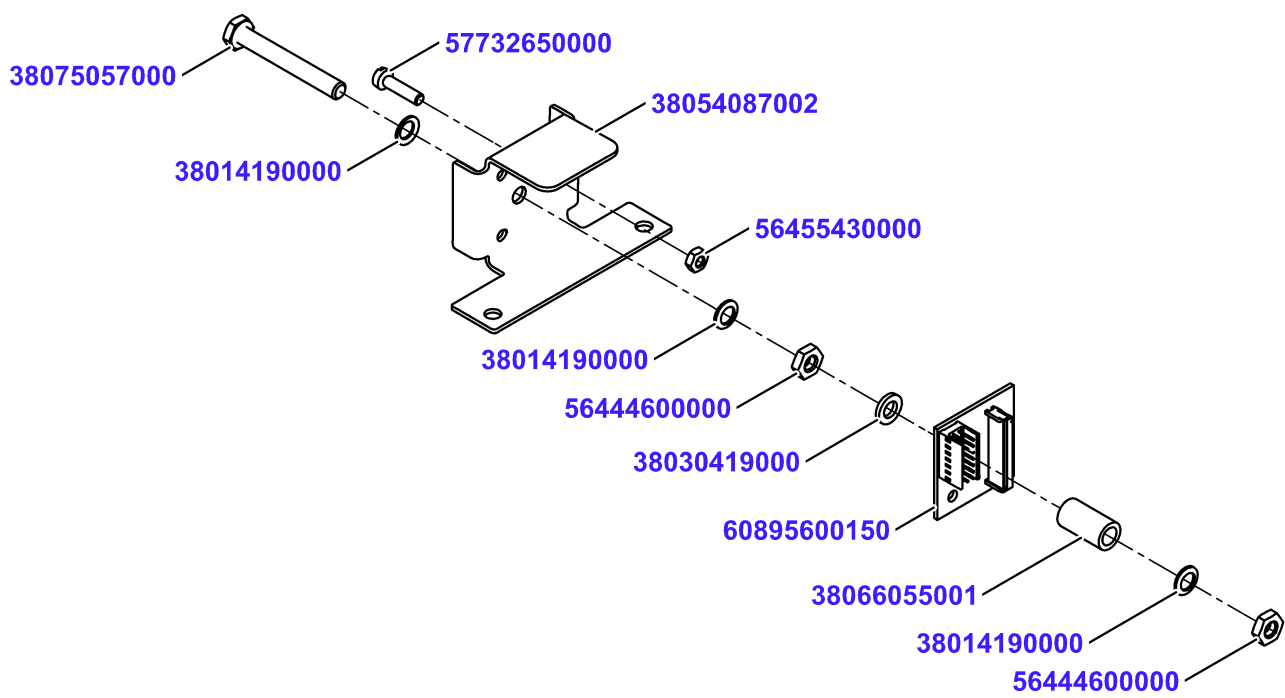
# Machine Housing cpl.














## Machine Housing cpl.

Material No.	Qty	Material description	available for order	Wear part	Recomm. sp. part	Metr. relevance
<a href="#">38064488002</a>	1	Connector ribbon cable				
<a href="#">56805541000</a>	2	Oval-head screw ISO14583 M5x8-A2-70-T25	✓			
<a href="#">38010967000</a>	1	Sealing	✓		✓	
<a href="#">38054098002</a>	1	Seal	✓		✓	
<a href="#">38054089002</a>	1	cover inside	✓			
<a href="#">38165868000</a>	1	Hygienic Cap Nut M6 with Precote 30-8	✓			
<a href="#">57758610000</a>	1	Toothed washer DIN6797-A 4,3-Fst	✓			
<a href="#">50250100000</a>	1	Grounding Plate 9x17/4.3 D	✓			
<a href="#">56739040000</a>	1	Washer DIN125-A 4.3-A2-70	✓			
<a href="#">57767040000</a>	1	Spring lock washer DIN128-A4-FSt	✓			
<a href="#">57730070000</a>	1	Oval-head screw ISO14583 M4x10-A2-70-T20	✓			
<a href="#">60800116900</a>	1	Bizerba character font	✓			

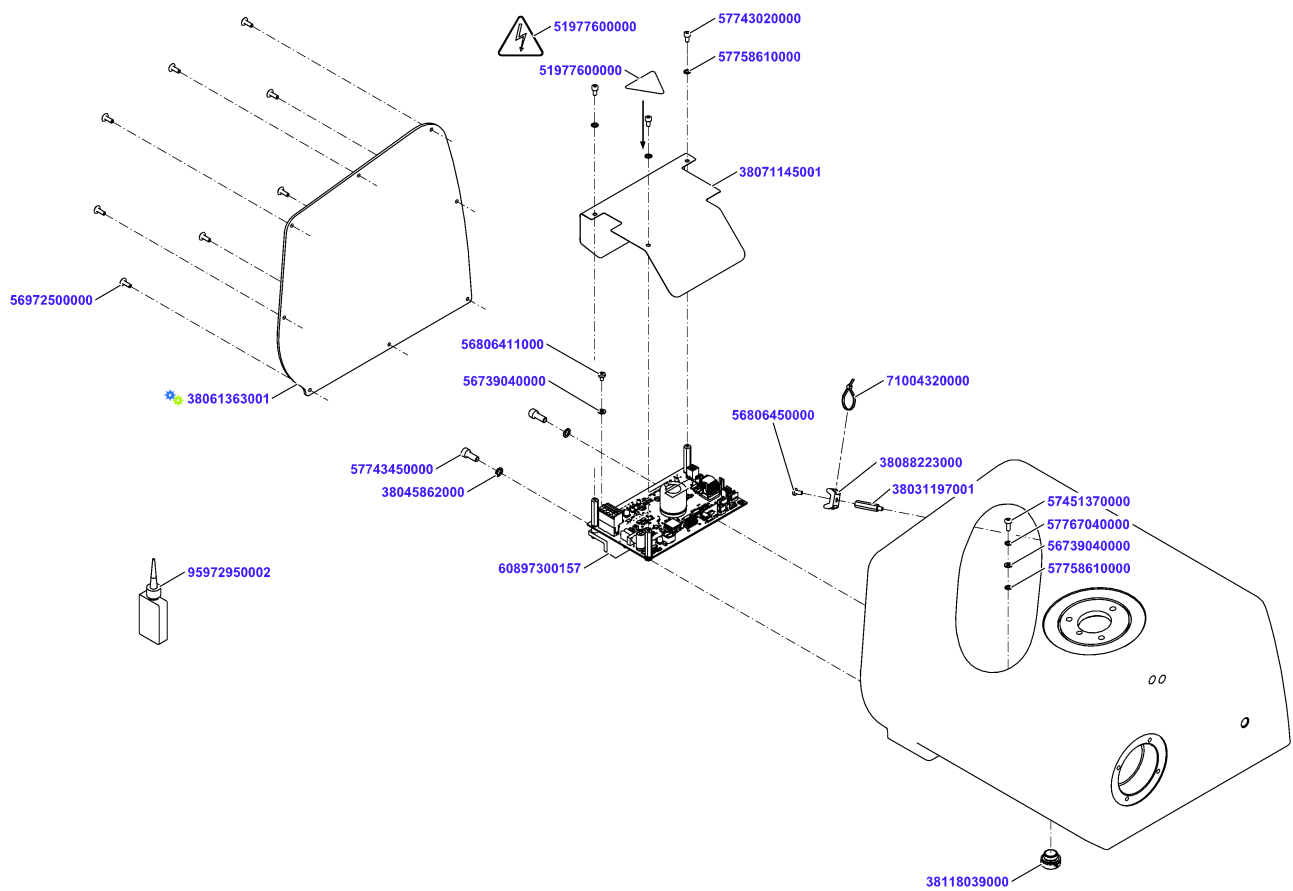
## Connector ribbon cable



## Connector ribbon cable

Material No.	Qty	Material description	available for order	Wear part	Recomm. sp. part	Metr. relevance
<a href="#">38054087002</a>	1	Mounting Bracket				
<a href="#">38075057000</a>	1	Hexagon Screw DIN 933 M6x45-A2-70				
<a href="#">38014190000</a>	2	Retaining washer S6-A2				
<a href="#">56444600000</a>	1	Hexagon nut DIN439-M6-A2				
<a href="#">38030419000</a>	1	thrust washer				
<a href="#">60895600150</a>	1	PCBA Intermediate Board 2				
<a href="#">38066055001</a>	1	tube				
<a href="#">38014190000</a>	1	Retaining washer S6-A2				
<a href="#">56444600000</a>	1	Hexagon nut DIN439-M6-A2				
<a href="#">57732650000</a>	1	Cylinder screw DIN84 M4x16				
<a href="#">56455430000</a>	1	Hexagon nut DIN934-M4-PA 66				

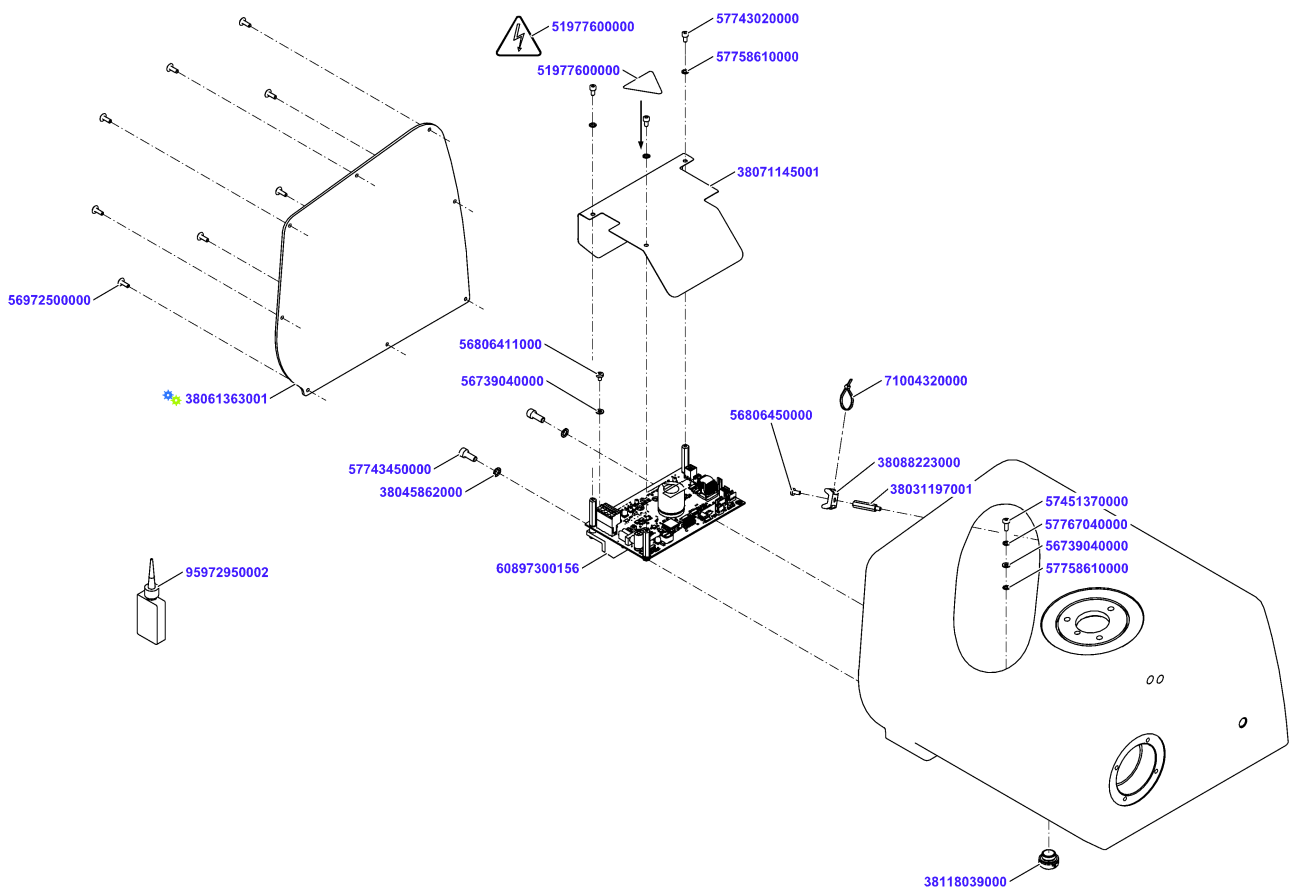
# Motor Tower Dt cpl



# Motor Tower Dt cpl

Material No.	Qty	Material description	available for order	Wear part	Recomm. sp. part	Metr. relevance
60897300157	1	PCBAP MC 3ph 2ch hv bus	✓			
57743450000	2	Cylinder screw DIN912 M6x16-A2-70	✓			
38045862000	2	Toothed washer DIN6797-A 6,4-A2	✓			
95972950002	0,001	Loctite 243 50 ml	✓			
56806450000	1	Oval-head screw ISO14583 M4x8-A2-70-T20	✓			
56739040000	1	Washer DIN125-A 4.3-A2-70	✓			
38071145001	1	Protection Plate	✓			
57743020000	3	Cylinder screw DIN912 M4x8-A2-70	✓			
57758610000	3	Toothed washer DIN6797-A 4,3-Fst	✓			
51977600000	1	Warning plate with danger arrow 50	✓			
38031197001	1	Thread Bolt M4	✓			
38088223000	1	Fastening Socket 9mm	✓			
56806450000	1	Oval-head screw ISO14583 M4x8-A2-70-T20	✓			
71004320000	1	Cable Tie T40R	✓			
38061363001	1	Cover Motor Tower prem	✓			
56972500000	8	Mushroom head screw M4x12-A2-70	✓			
56739040000	1	Washer DIN125-A 4.3-A2-70	✓			
57451370000	1	Oval-head screw ISO14583 M4x12-A2-70-T20	✓			
57767040000	1	Spring lock washer DIN128-A4-FSt	✓			
57758610000	1	Toothed washer DIN6797-A 4,3-Fst	✓			
38118039000	1	Dummy plug hygienic BL-M M16x1,5 V4A	✓			
95972950002	0,001	Loctite 243 50 ml	✓			

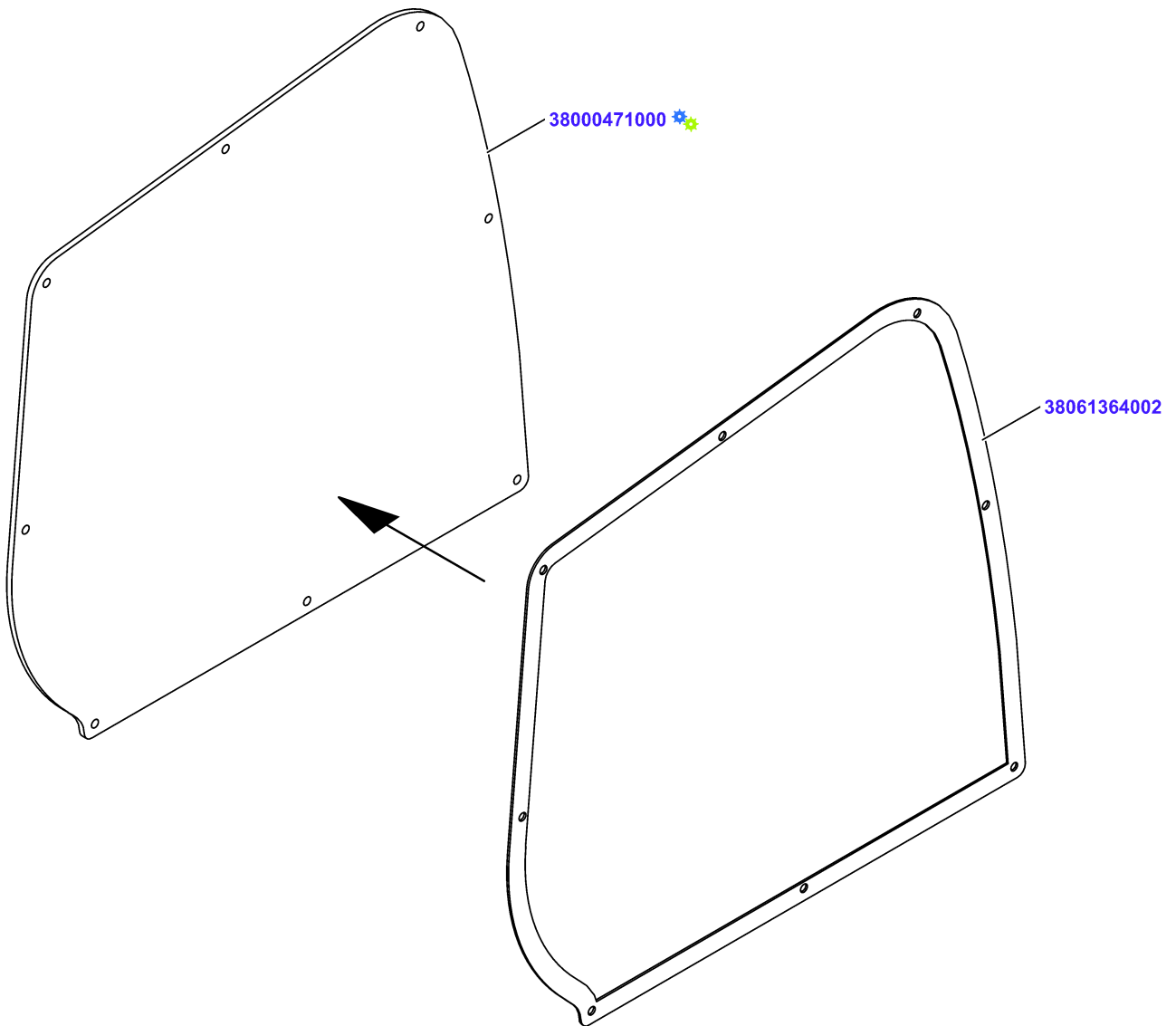
# Motor Tower Dt cpl



# Motor Tower Dt cpl

Material No.	Qty	Material description	available for order	Wear part	Recomm. sp. part	Metr. relevance
<a href="#">57743450000</a>	2	Cylinder screw DIN912 M6x16-A2-70	✓			
<a href="#">38045862000</a>	2	Toothed washer DIN6797-A 6,4-A2	✓			
<a href="#">95972950002</a>	0,001	Loctite 243 50 ml	✓			
<a href="#">56806450000</a>	1	Oval-head screw ISO14583 M4x8-A2-70-T20	✓			
<a href="#">56739040000</a>	1	Washer DIN125-A 4.3-A2-70	✓			
<a href="#">38071145001</a>	1	Protection Plate	✓			
<a href="#">57743020000</a>	3	Cylinder screw DIN912 M4x8-A2-70	✓			
<a href="#">57758610000</a>	3	Toothed washer DIN6797-A 4,3-Fst	✓			
<a href="#">51977600000</a>	1	Warning plate with danger arrow 50	✓			
<a href="#">38031197001</a>	1	Thread Bolt M4	✓			
<a href="#">38088223000</a>	1	Fastening Socket 9mm	✓			
<a href="#">56806450000</a>	1	Oval-head screw ISO14583 M4x8-A2-70-T20	✓			
<a href="#">71004320000</a>	1	Cable Tie T40R	✓			
<a href="#">38061363001</a>	1	Cover Motor Tower prem	✓			
<a href="#">56972500000</a>	8	Mushroom head screw M4x12-A2-70	✓			
<a href="#">56739040000</a>	1	Washer DIN125-A 4.3-A2-70	✓			
<a href="#">57451370000</a>	1	Oval-head screw ISO14583 M4x12-A2-70-T20	✓			
<a href="#">57767040000</a>	1	Spring lock washer DIN128-A4-FSt	✓			
<a href="#">57758610000</a>	1	Toothed washer DIN6797-A 4,3-Fst	✓			
<a href="#">38118039000</a>	1	Dummy plug hygienic BL-M M16x1,5 V4A	✓			
<a href="#">95972950002</a>	0,001	Loctite 243 50 ml	✓			

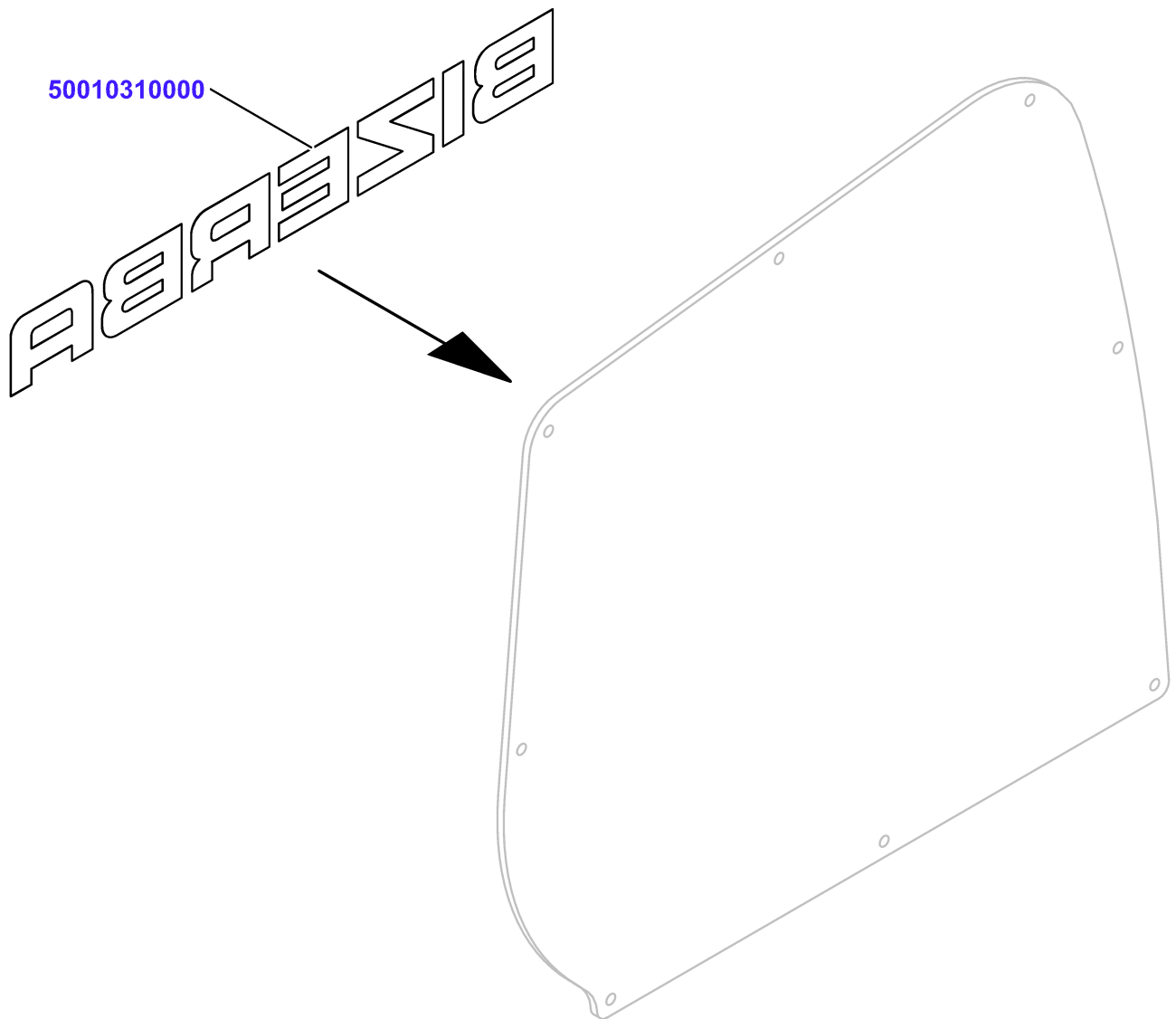
# Cover Motor Tower prem



# Cover Motor Tower prem

Material No.	Qty	Material description	available for order	Wear part	Recomm. sp. part	Metr. relevance
<a href="#">38061364002</a>	1	Sealing				
<a href="#">38000471000</a>	1	Cover Motor Tower				

# Cover Motor Tower



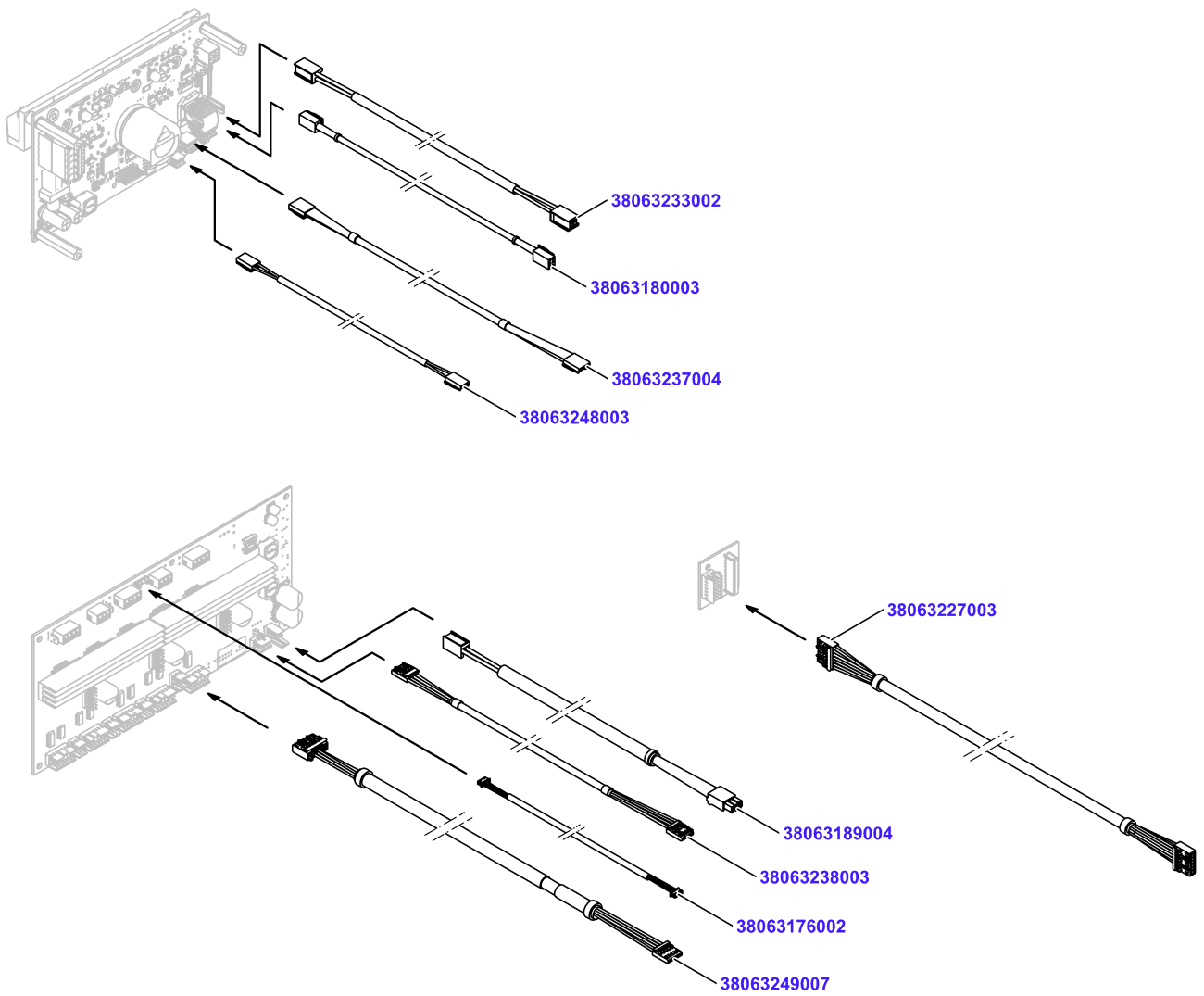
# Cover Motor Tower

Material No.	Qty	Material description
<a href="#">50010310000</a>	1	Bizerba Lettering L255 H30










available for order
Wear part
Recomm. sp. part
Metr. relevance



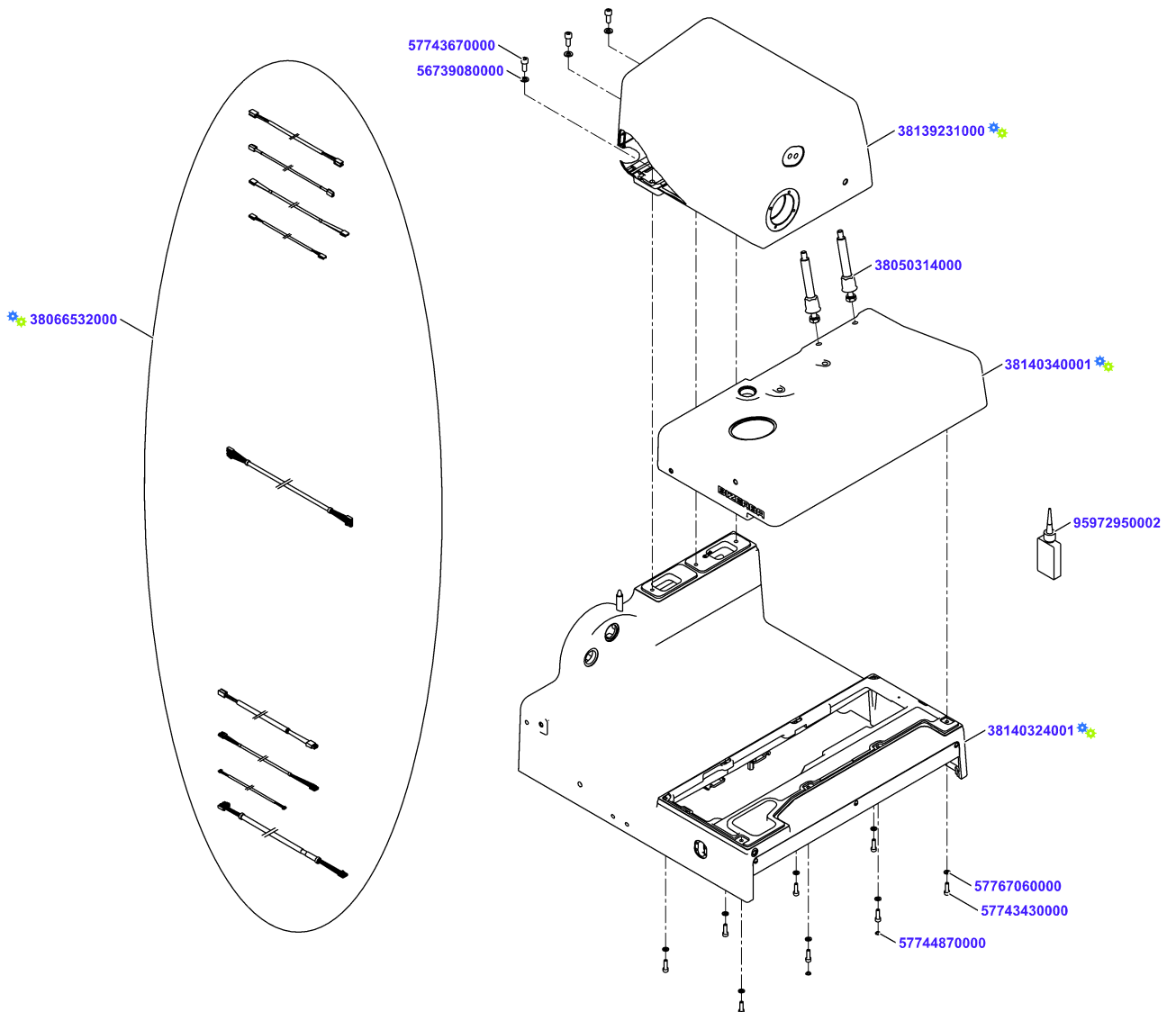
# Cable set standard



## Cable set standard

Material No.	Qty	Material description	available for order	Wear part	Recomm. sp. part	Metr. relevance
<a href="#">38063180003</a>	1	Ka Rd 4x0,14 1,05m				
<a href="#">38063248003</a>	1	Ka Rd 2x0,34 1,05m				
<a href="#">38063237004</a>	1	Ka Rd 2x2x24AWG 0,87m				
<a href="#">38063233002</a>	1	Ka Rd 2x0,75 0,77m				
<a href="#">38063238003</a>	1	Ka Rd 2x2x24AWG 0,29m				
<a href="#">38063176002</a>	1	Ka Rd 4x0,14 0,66m				
<a href="#">38063189004</a>	1	Ca Rd 2x0,75 0,29m				
<a href="#">38063249007</a>	1	Ka Rd 2x2xAWG26 0,38m				
<a href="#">38063227003</a>	1	Ka Rd 8x2x0,14 0,50m				

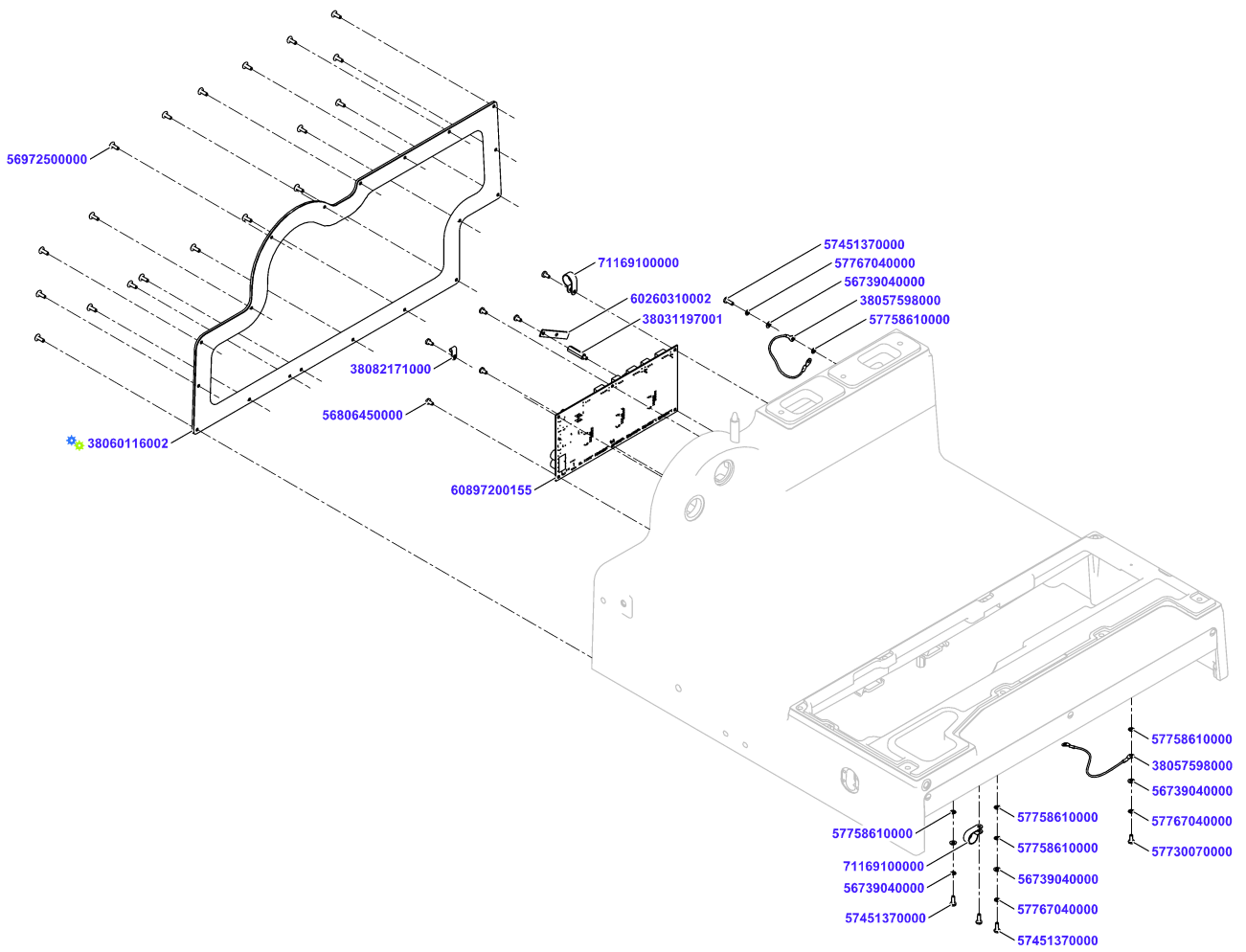
# Housing Ti Db



# Housing Ti Db

Material No.	Qty	Material description	available for order	Wear part	Recomm. sp. part	Metr. relevance
<a href="#">38140324001</a>	1	Drive Housing Ti Db cpl				
<a href="#">38140340001</a>	1	Machine Housing cpl.				
<a href="#">57743430000</a>	8	Cylinder screw DIN 912-M6x20-A2-70	✓			
<a href="#">57767060000</a>	8	Spring lock washer DIN128-A6-FSt	✓			
<a href="#">57744870000</a>	2	Protective plug 10x5,2x3,1-PE	✓		✓	
<a href="#">38050314000</a>	1	Support motortower cpl	✓			
<a href="#">38139231000</a>	1	Motor Tower Db cpl	✓			
<a href="#">57743670000</a>	3	Cylinder screw DIN912 M8x20-A2-70	✓			
<a href="#">56739080000</a>	3	Washer DIN125-A-8-A2	✓			
<a href="#">95972950002</a>	1	Loctite 243 50 ml	✓			
<a href="#">38066532000</a>	1	Cable set standard				

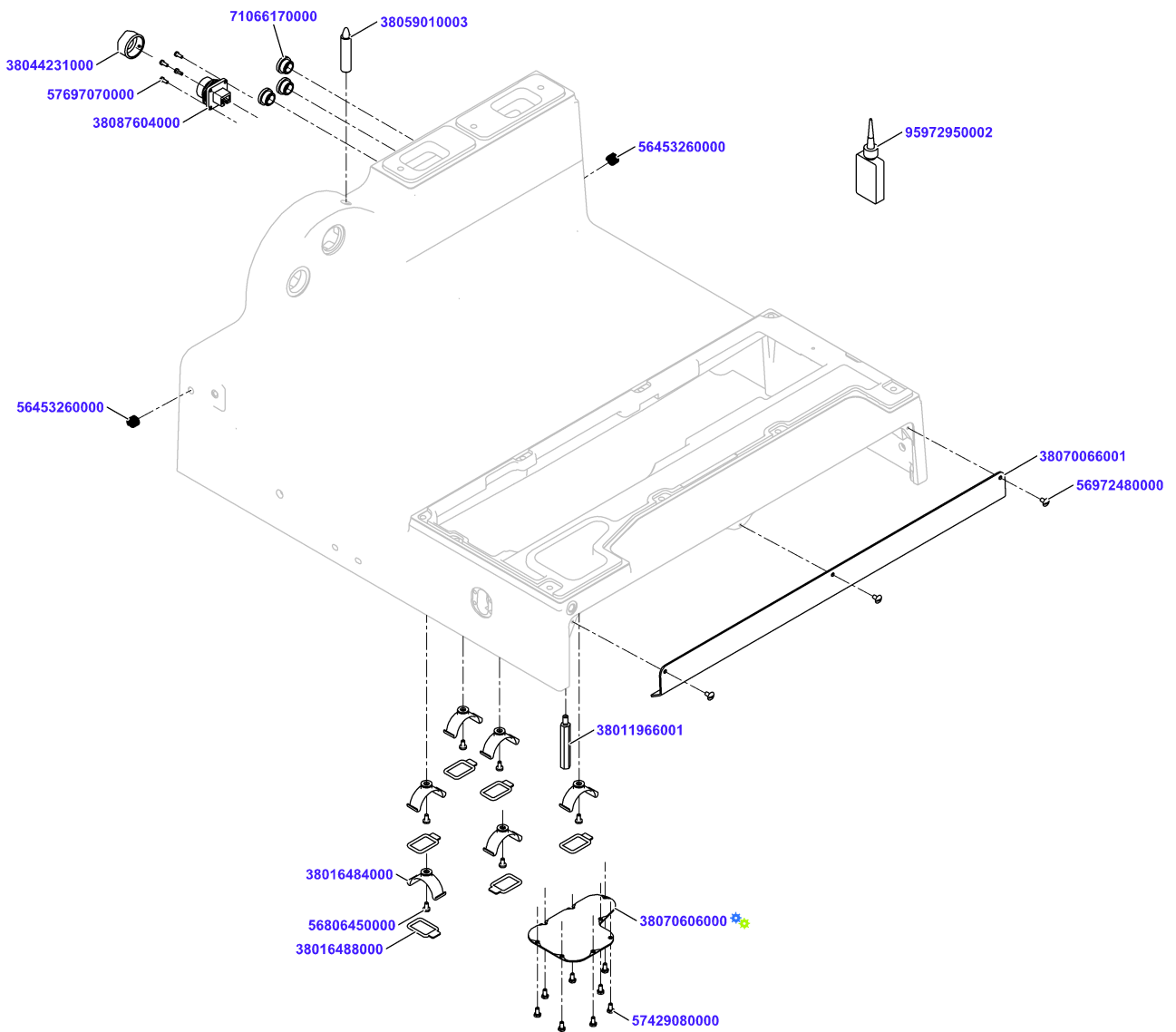
# Drive Housing Ti Db cpl



## Drive Housing Ti Db cpl

Material No.	Qty	Material description	available for order	Wear part	Recomm. sp. part	Metr. relevance
56806450000	6	Oval-head screw ISO14583 M4x8-A2-70-T20	✓			
60897200155	1	PCBAP MC 3ph 6ch lv bus				
38082171000	1	Fastening Clip 3mm closed metal				
71169100000	1	Cable Clamp nylon 14mm NK-10N				
38031197001	1	Thread Bolt M4				
60260310002	1	Sheet strap 60x10x1,5				
56806450000	6	Oval-head screw ISO14583 M4x8-A2-70-T20	✓			
38057598000	1	Ka Li GN/YE AWG18 0,22m				
57451370000	1	Oval-head screw ISO14583 M4x12-A2-70-T20	✓			
57767040000	1	Spring lock washer DIN128-A4-FSt	✓			
56739040000	1	Washer DIN125-A 4.3-A2-70	✓			
57758610000	1	Toothed washer DIN6797-A 4,3-Fst	✓			
38057598000	1	Ka Li GN/YE AWG18 0,22m				
57730070000	1	Oval-head screw ISO14583 M4x10-A2-70-T20	✓			
57767040000	1	Spring lock washer DIN128-A4-FSt	✓			
56739040000	1	Washer DIN125-A 4.3-A2-70	✓			
57758610000	1	Toothed washer DIN6797-A 4,3-Fst	✓			
57451370000	1	Oval-head screw ISO14583 M4x12-A2-70-T20	✓			
71169100000	1	Cable Clamp nylon 14mm NK-10N				
57451370000	2	Oval-head screw ISO14583 M4x12-A2-70-T20	✓			
57767040000	2	Spring lock washer DIN128-A4-FSt	✓			
56739040000	1	Washer DIN125-A 4.3-A2-70	✓			
57758610000	3	Toothed washer DIN6797-A 4,3-Fst	✓			
56739040000	1	Washer DIN125-A 4.3-A2-70	✓			
38060116002	1	Cover Drivehousing prem				
56972500000	19	Mushroom head screw M4x12-A2-70	✓			

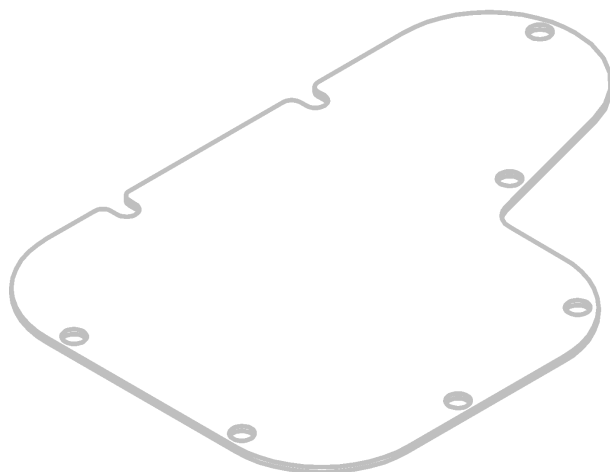
# Drive Housing Ti Db cpl



## Drive Housing Ti Db cpl

Material No.	Qty	Material description	available for order	Wear part	Recomm. sp. part	Metr. relevance
<a href="#">56453260000</a>	2	Threaded insert M10x10	✓			
<a href="#">38059010003</a>	1	Catching Bolt	✓			
<a href="#">95972950002</a>	1	Loctite 243 50 ml	✓			
<a href="#">38016484000</a>	6	Cradle Clip C3	✓			
<a href="#">56806450000</a>	6	Oval-head screw ISO14583 M4x8-A2-70-T20	✓			
<a href="#">38016488000</a>	6	Retaining Ring R3	✓			
<a href="#">56806450000</a>	6	Oval-head screw ISO14583 M4x8-A2-70-T20	✓			
<a href="#">38011966001</a>	1	Distance bolt 10x60 M6-M6 In-Out	✓			
<a href="#">38070066001</a>	1	Cover	✓			
<a href="#">56972480000</a>	3	Mushroom head screw M4x8-A2-70 Tuflok	✓			
<a href="#">38070606000</a>	1	Cover prem	✓			
<a href="#">57429080000</a>	8	Hexagon screw DIN933 M4x8 A2-70	✓			
<a href="#">38044231000</a>	1	Protection Cap Flangehousing	✓			
<a href="#">38087604000</a>	1	Connector Metal Bayonett RJ45 Ethernet	✓			
<a href="#">57697070000</a>	4	Cylinder screw DIN84 M3x8-A2-70	✓			
<a href="#">71066170000</a>	3	Blind plug BLK- M16	✓			

# Cover prem



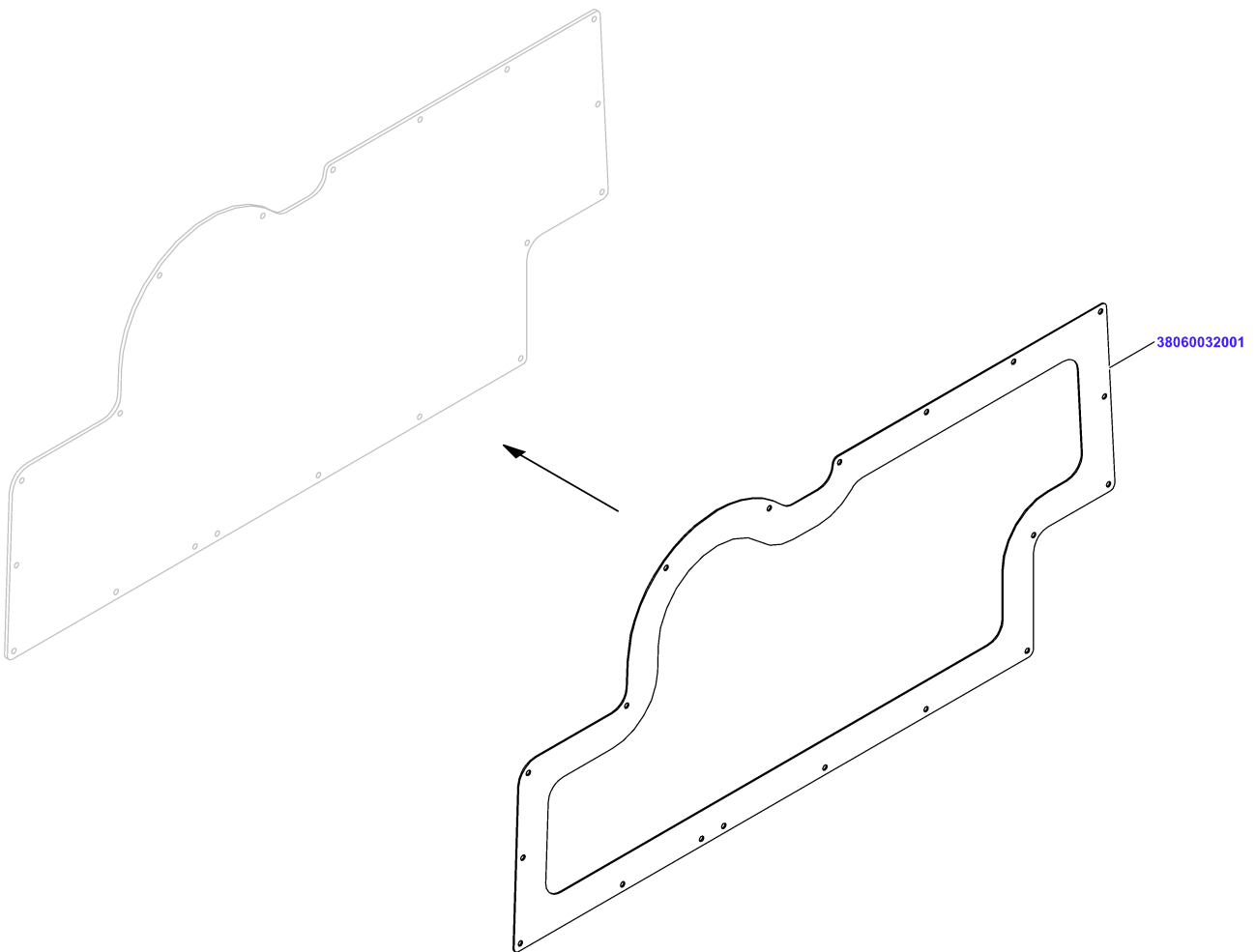
# Cover prem

**Material No.**    **Qty**    **Material description**

[38058289002](#)    1    Sealing

available for order
Wear part
Recomm. sp. part
Metr. relevance

# Cover Drivehousing prem



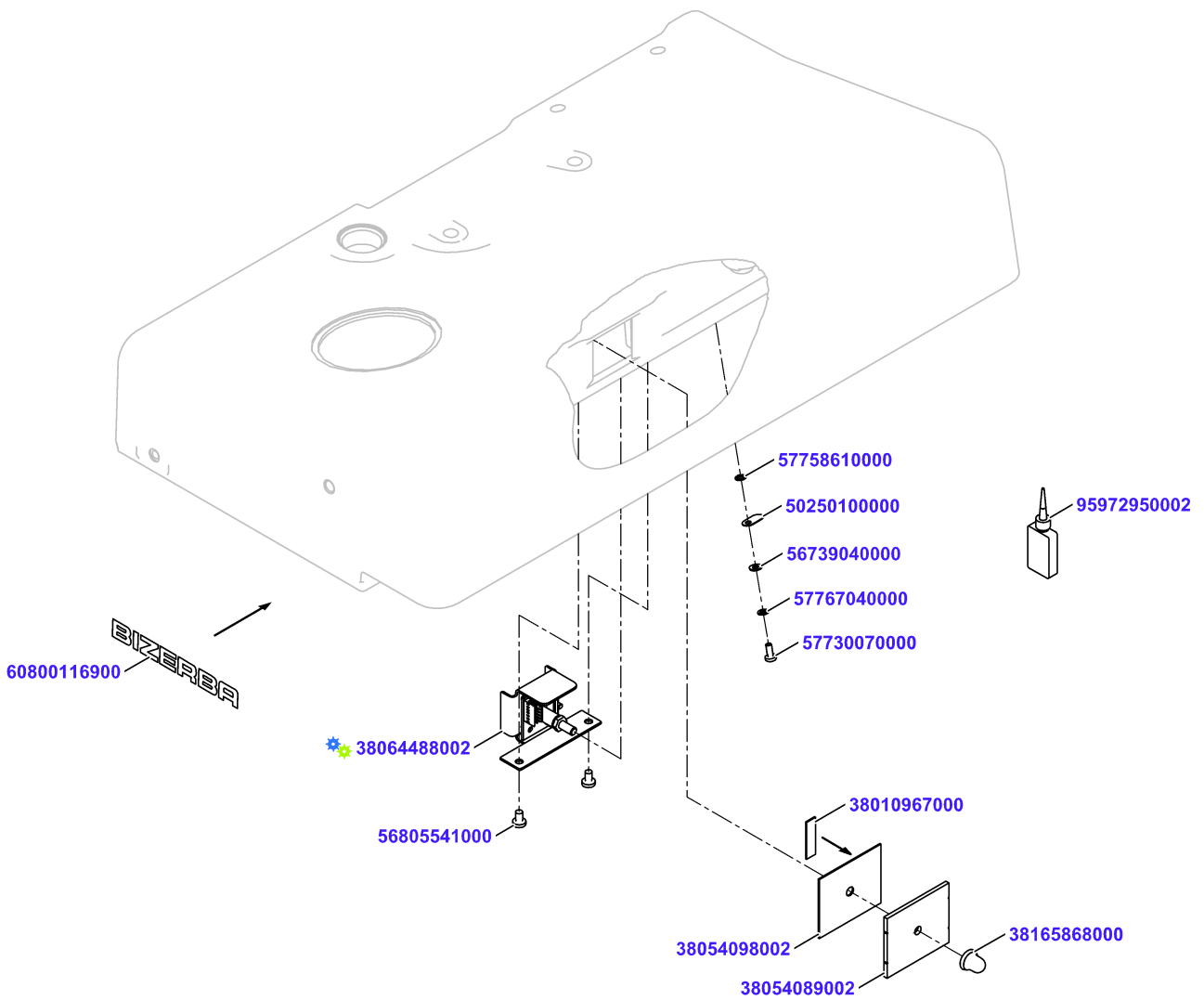
# Cover Drivehousing prem

Material No.	Qty	Material description
--------------	-----	----------------------

38060032001	1	Sealing
-------------	---	---------

available for order
Wear part
Recomm. sp. part
Metr. relevance

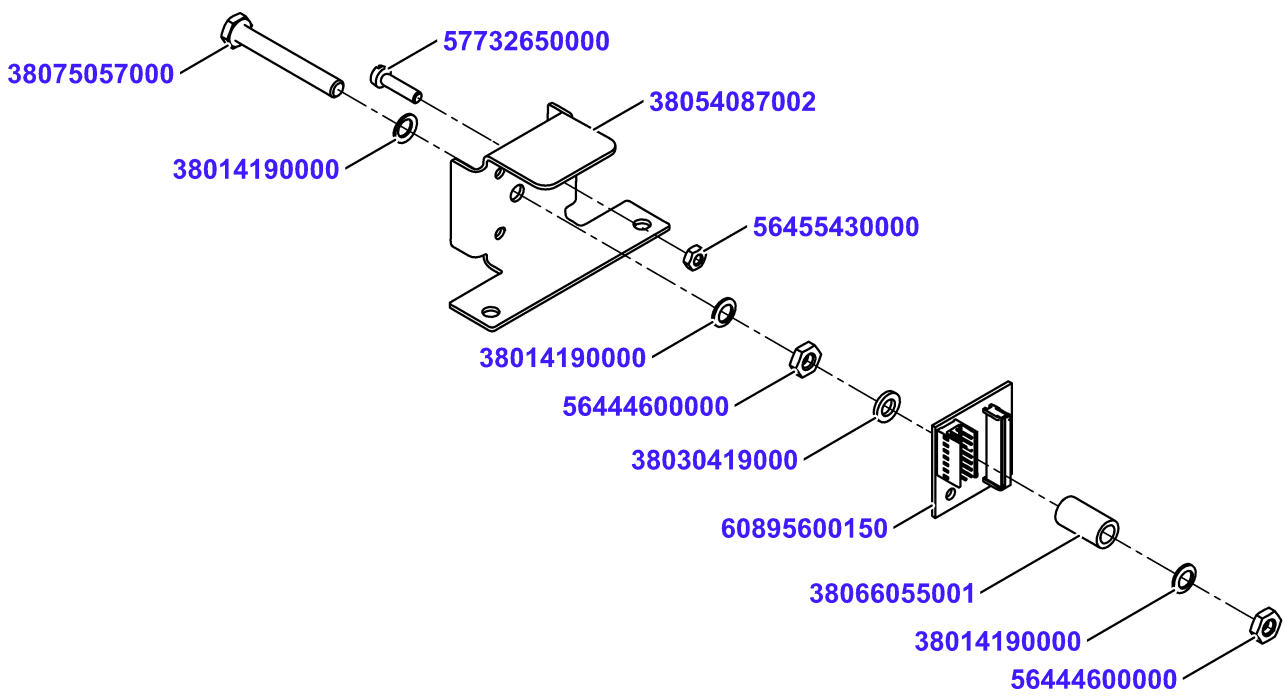
# Machine Housing cpl.














## Machine Housing cpl.

Material No.	Qty	Material description	available for order	Wear part	Recomm. sp. part	Metr. relevance
<a href="#">38064488002</a>	1	Connector ribbon cable				
<a href="#">56805541000</a>	2	Oval-head screw ISO14583 M5x8-A2-70-T25	✓			
<a href="#">38010967000</a>	1	Sealing	✓		✓	
<a href="#">38054098002</a>	1	Seal	✓		✓	
<a href="#">38054089002</a>	1	cover inside	✓			
<a href="#">38165868000</a>	1	Hygienic Cap Nut M6 with Precote 30-8	✓			
<a href="#">57758610000</a>	1	Toothed washer DIN6797-A 4,3-Fst	✓			
<a href="#">50250100000</a>	1	Grounding Plate 9x17/4.3 D	✓			
<a href="#">56739040000</a>	1	Washer DIN125-A 4.3-A2-70	✓			
<a href="#">57767040000</a>	1	Spring lock washer DIN128-A4-FSt	✓			
<a href="#">57730070000</a>	1	Oval-head screw ISO14583 M4x10-A2-70-T20	✓			
<a href="#">60800116900</a>	1	Bizerba character font	✓			

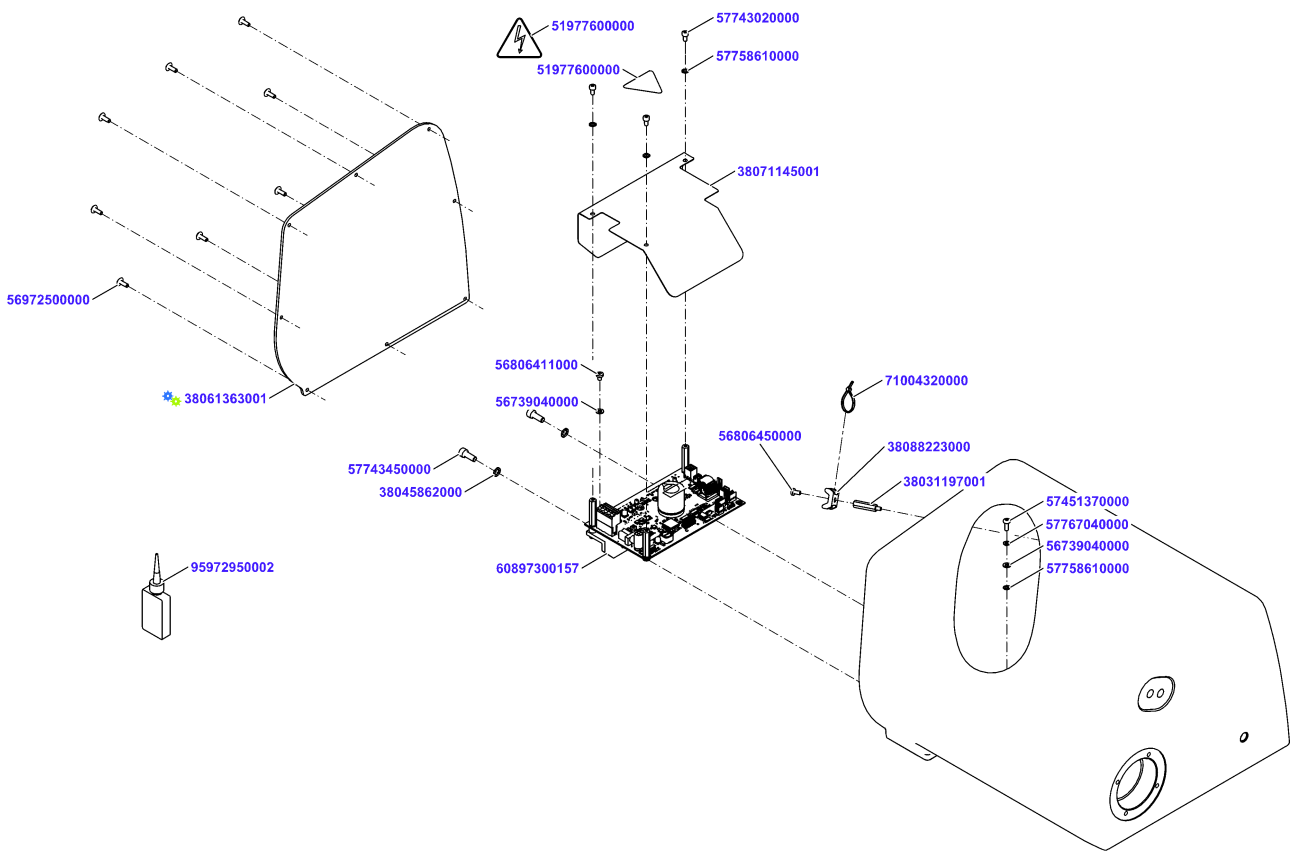
# Connector ribbon cable



## Connector ribbon cable

Material No.	Qty	Material description	available for order	Wear part	Recomm. sp. part	Metr. relevance
<a href="#">38054087002</a>	1	Mounting Bracket				
<a href="#">38075057000</a>	1	Hexagon Screw DIN 933 M6x45-A2-70				
<a href="#">38014190000</a>	2	Retaining washer S6-A2				
<a href="#">56444600000</a>	1	Hexagon nut DIN439-M6-A2				
<a href="#">38030419000</a>	1	thrust washer				
<a href="#">60895600150</a>	1	PCBA Intermediate Board 2				
<a href="#">38066055001</a>	1	tube				
<a href="#">38014190000</a>	1	Retaining washer S6-A2				
<a href="#">56444600000</a>	1	Hexagon nut DIN439-M6-A2				
<a href="#">57732650000</a>	1	Cylinder screw DIN84 M4x16				
<a href="#">56455430000</a>	1	Hexagon nut DIN934-M4-PA 66				

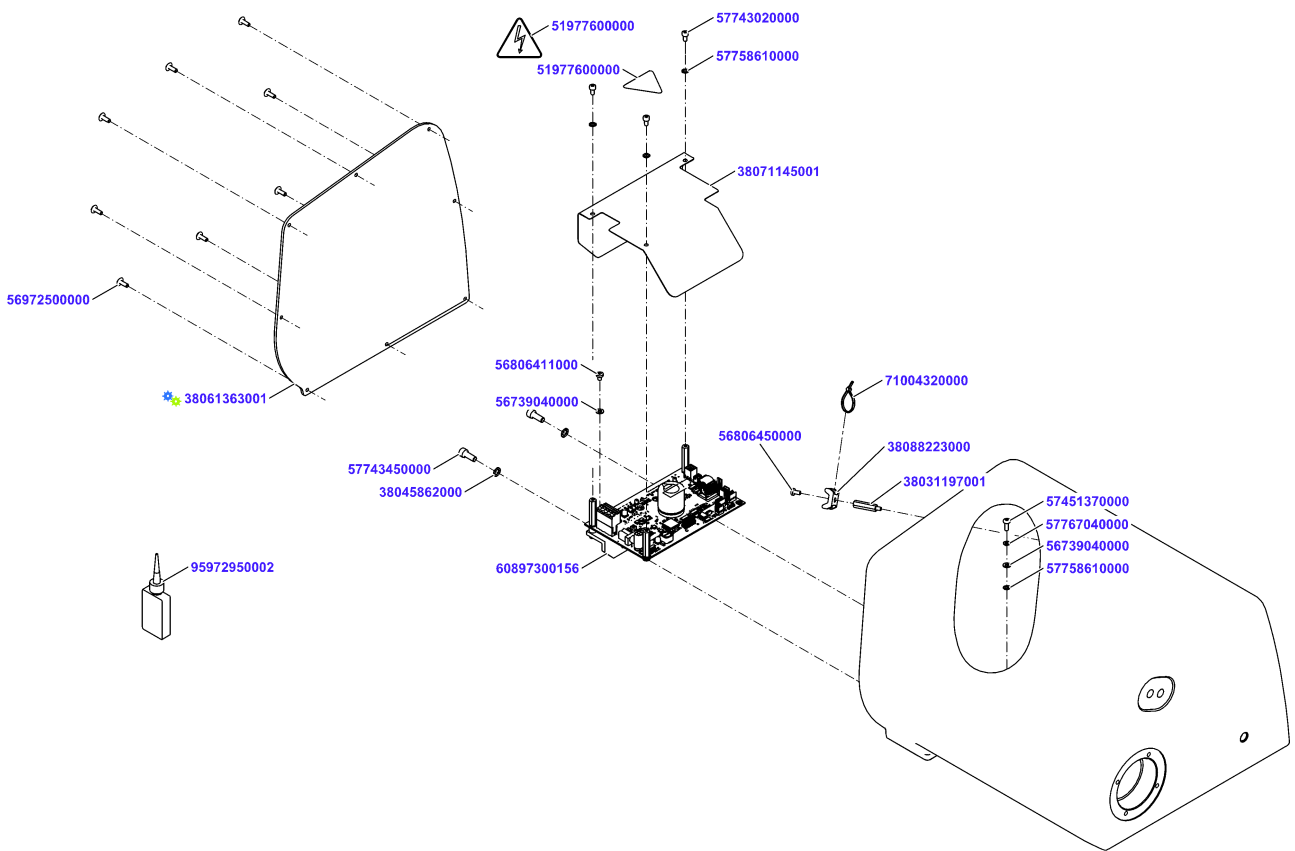
# Motor Tower Db cpl



# Motor Tower Db cpl

Material No.	Qty	Material description	available for order	Wear part	Recomm. sp. part	Metr. relevance
60897300157	1	PCBAP MC 3ph 2ch hv bus	✓			
57743450000	2	Cylinder screw DIN912 M6x16-A2-70	✓			
38045862000	2	Toothed washer DIN6797-A 6,4-A2	✓			
56806450000	1	Oval-head screw ISO14583 M4x8-A2-70-T20	✓			
56739040000	1	Washer DIN125-A 4.3-A2-70	✓			
38071145001	1	Protection Plate	✓			
57743020000	3	Cylinder screw DIN912 M4x8-A2-70	✓			
57758610000	3	Toothed washer DIN6797-A 4,3-Fst	✓			
51977600000	1	Warning plate with danger arrow 50	✓			
38031197001	1	Thread Bolt M4	✓			
38088223000	1	Fastening Socket 9mm	✓			
56806450000	1	Oval-head screw ISO14583 M4x8-A2-70-T20	✓			
95972950002	0,001	Loctite 243 50 ml	✓			
71004320000	1	Cable Tie T40R	✓			
38061363001	1	Cover Motor Tower prem	✓			
56972500000	8	Mushroom head screw M4x12-A2-70	✓			
56739040000	1	Washer DIN125-A 4.3-A2-70	✓			
57451370000	1	Oval-head screw ISO14583 M4x12-A2-70-T20	✓			
57767040000	1	Spring lock washer DIN128-A4-FSt	✓			
57758610000	1	Toothed washer DIN6797-A 4,3-Fst	✓			

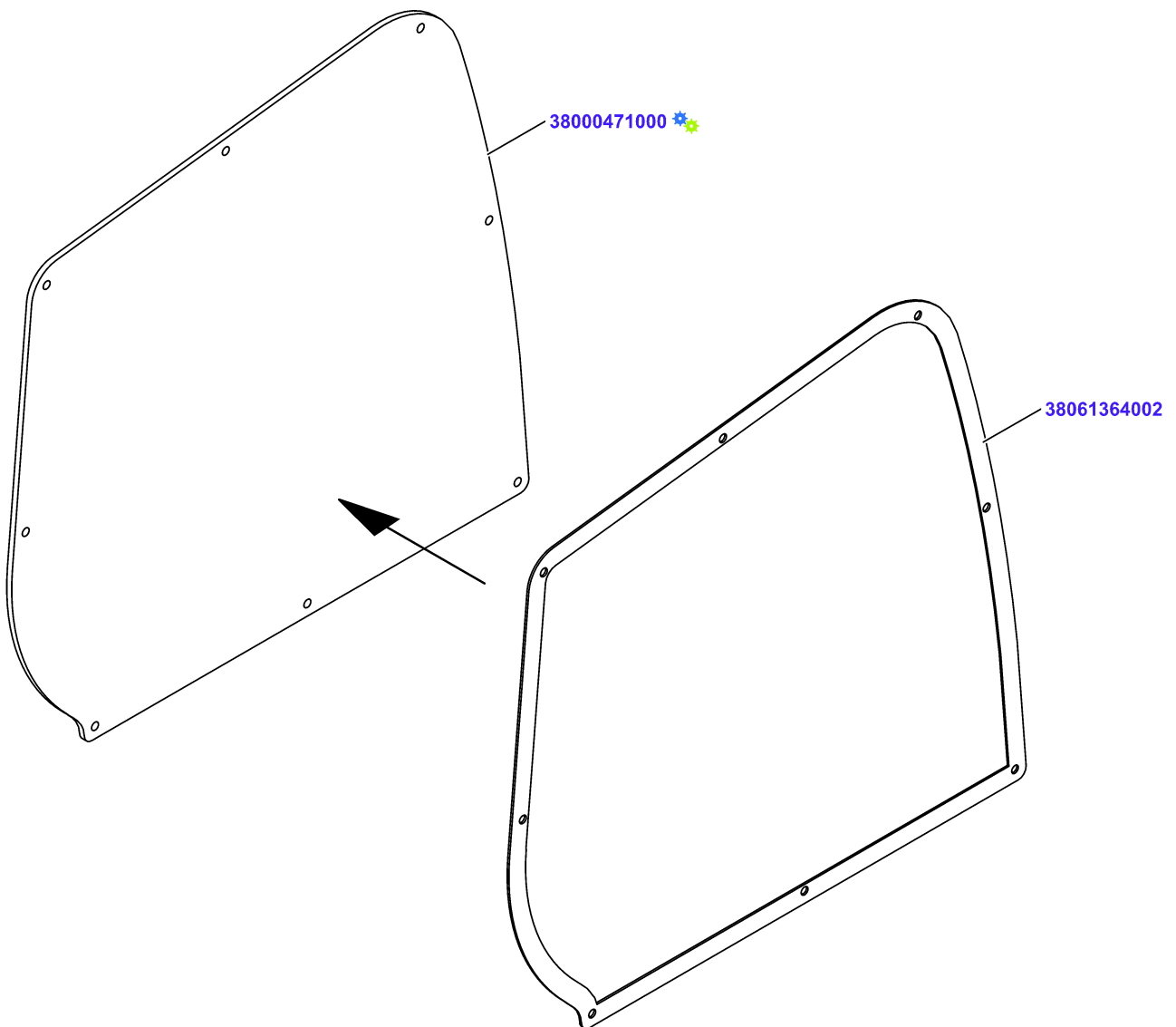
# Motor Tower Db cpl



# Motor Tower Db cpl



Material No.	Qty	Material description	available for order	Wear part	Recomm. sp. part	Metr. relevance
<a href="#">57743450000</a>	2	Cylinder screw DIN912 M6x16-A2-70	✓			
<a href="#">38045862000</a>	2	Toothed washer DIN6797-A 6,4-A2	✓			
<a href="#">56806450000</a>	1	Oval-head screw ISO14583 M4x8-A2-70-T20	✓			
<a href="#">56739040000</a>	1	Washer DIN125-A 4.3-A2-70	✓			
<a href="#">38071145001</a>	1	Protection Plate	✓			
<a href="#">57743020000</a>	3	Cylinder screw DIN912 M4x8-A2-70	✓			
<a href="#">57758610000</a>	3	Toothed washer DIN6797-A 4,3-Fst	✓			
<a href="#">51977600000</a>	1	Warning plate with danger arrow 50	✓			
<a href="#">38031197001</a>	1	Thread Bolt M4	✓			
<a href="#">38088223000</a>	1	Fastening Socket 9mm	✓			
<a href="#">56806450000</a>	1	Oval-head screw ISO14583 M4x8-A2-70-T20	✓			
<a href="#">95972950002</a>	0,001	Loctite 243 50 ml	✓			
<a href="#">71004320000</a>	1	Cable Tie T40R	✓			
<a href="#">38061363001</a>	1	Cover Motor Tower prem	✓			
<a href="#">56972500000</a>	8	Mushroom head screw M4x12-A2-70	✓			
<a href="#">56739040000</a>	1	Washer DIN125-A 4.3-A2-70	✓			
<a href="#">57451370000</a>	1	Oval-head screw ISO14583 M4x12-A2-70-T20	✓			
<a href="#">57767040000</a>	1	Spring lock washer DIN128-A4-FSt	✓			
<a href="#">57758610000</a>	1	Toothed washer DIN6797-A 4,3-Fst	✓			

# Cover Motor Tower prem

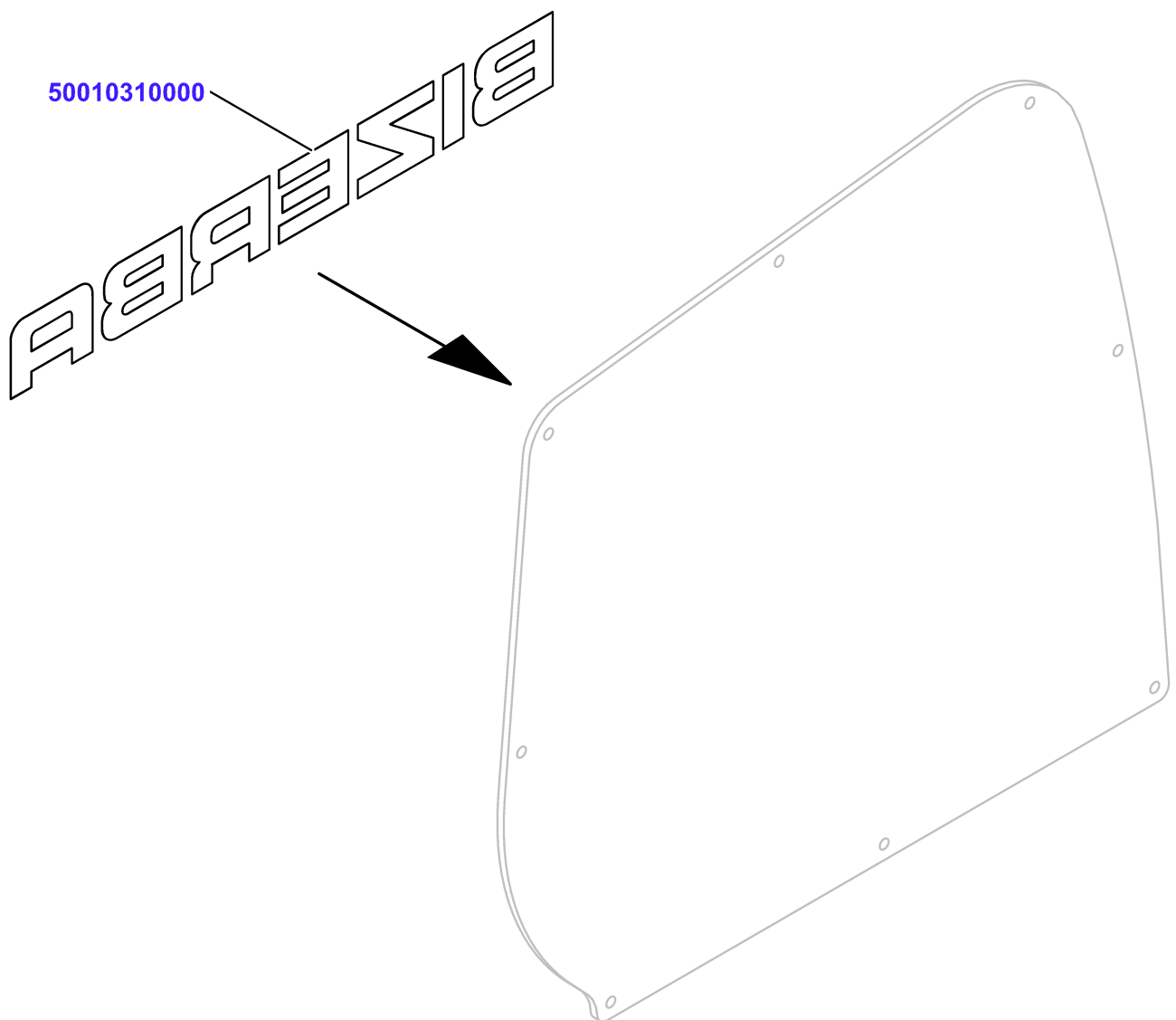


# Cover Motor Tower prem

Material No.	Qty	Material description
<a href="#">38061364002</a>	1	Sealing
<a href="#">38000471000</a>	1	Cover Motor Tower

available for order	Wear part	Recomm. sp. part	Metr. relevance
			

# Cover Motor Tower



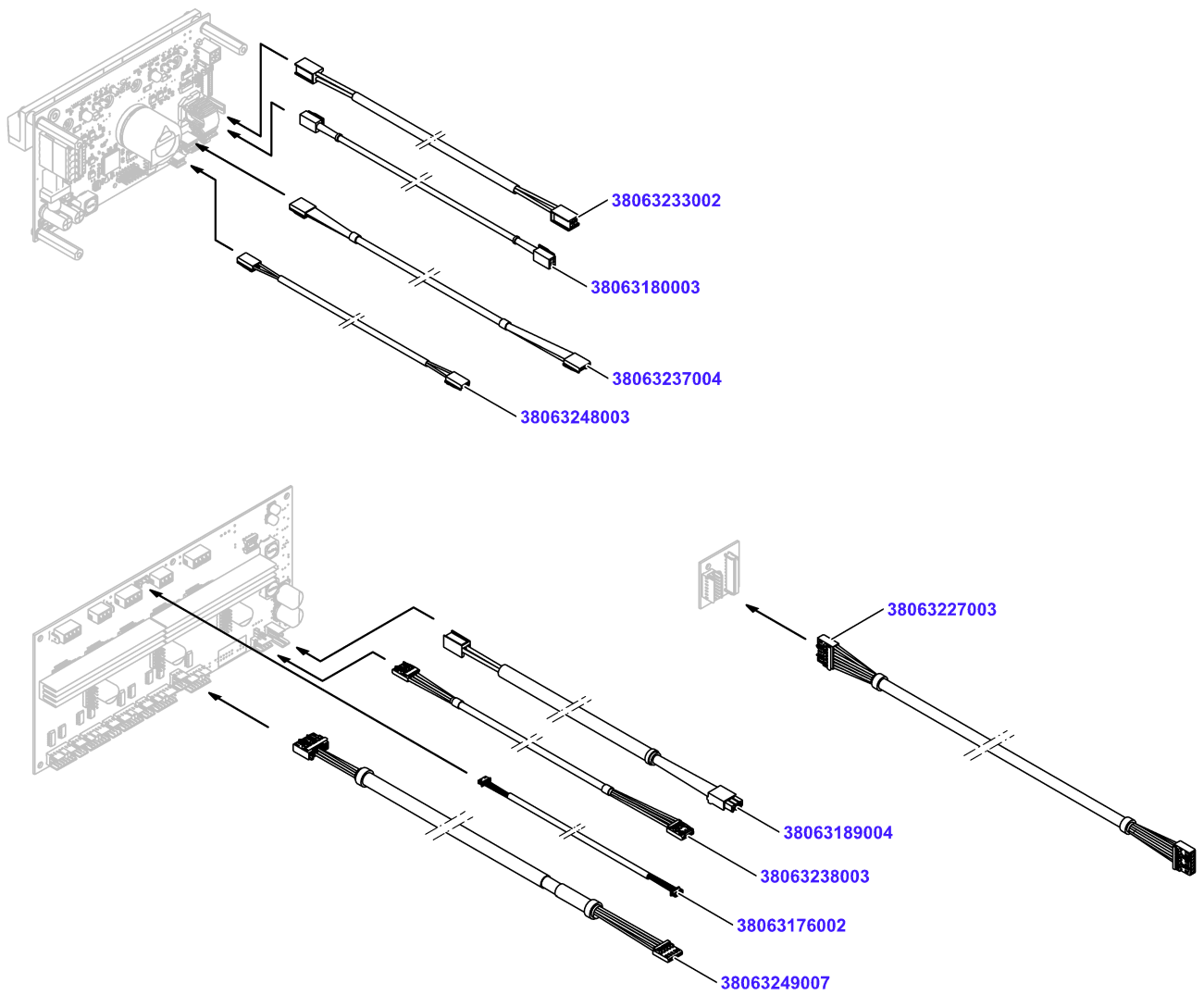
# Cover Motor Tower

Material No.	Qty	Material description
<a href="#">50010310000</a>	1	Bizerba Lettering L255 H30










available for order
Wear part
Recomm. sp. part
Metr. relevance



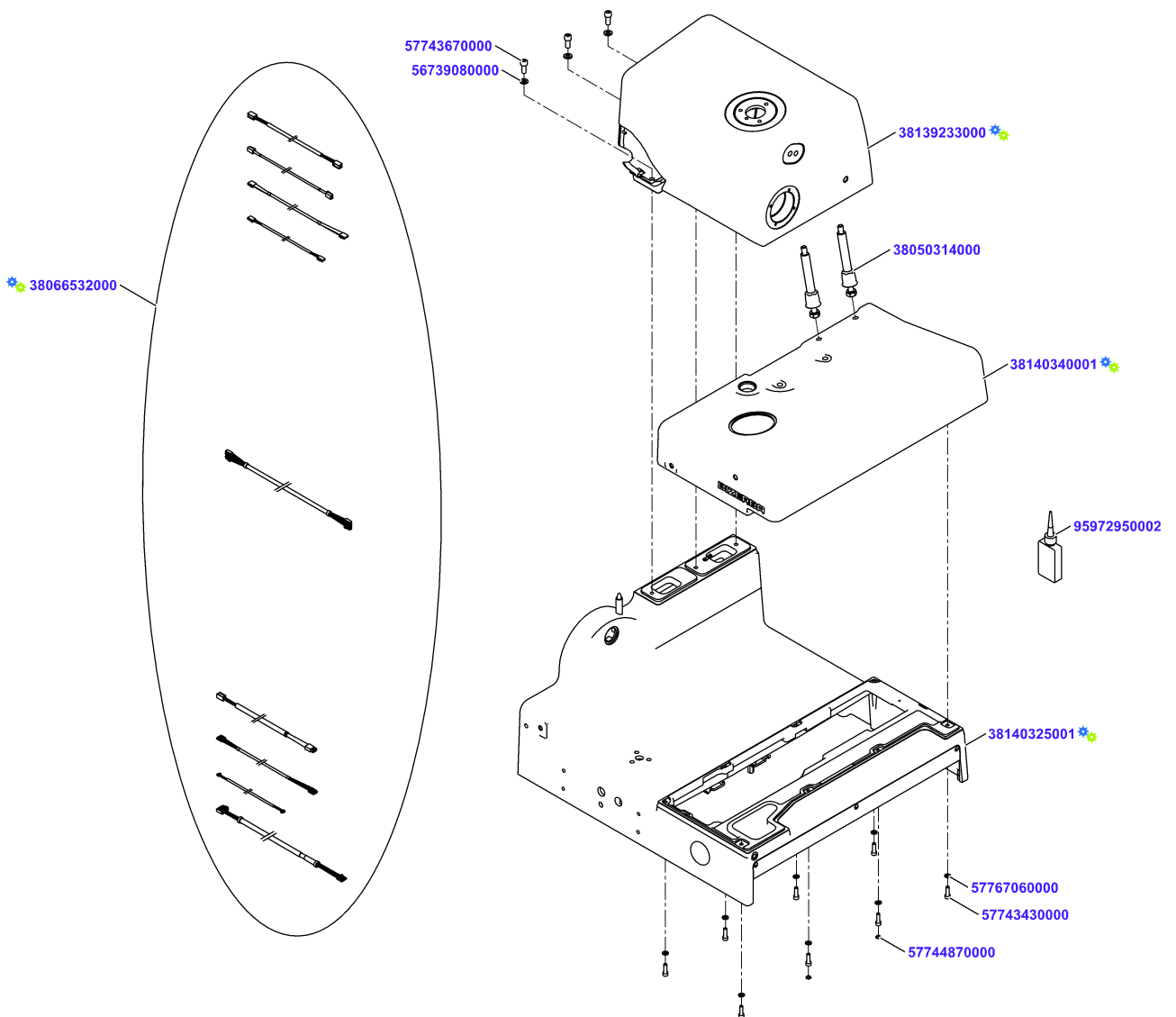
# Cable set standard



## Cable set standard

Material No.	Qty	Material description	available for order	Wear part	Recomm. sp. part	Metr. relevance
<a href="#">38063180003</a>	1	Ka Rd 4x0,14 1,05m				
<a href="#">38063248003</a>	1	Ka Rd 2x0,34 1,05m				
<a href="#">38063237004</a>	1	Ka Rd 2x2x24AWG 0,87m				
<a href="#">38063233002</a>	1	Ka Rd 2x0,75 0,77m				
<a href="#">38063238003</a>	1	Ka Rd 2x2x24AWG 0,29m				
<a href="#">38063176002</a>	1	Ka Rd 4x0,14 0,66m				
<a href="#">38063189004</a>	1	Ca Rd 2x0,75 0,29m				
<a href="#">38063249007</a>	1	Ka Rd 2x2xAWG26 0,38m				
<a href="#">38063227003</a>	1	Ka Rd 8x2x0,14 0,50m				

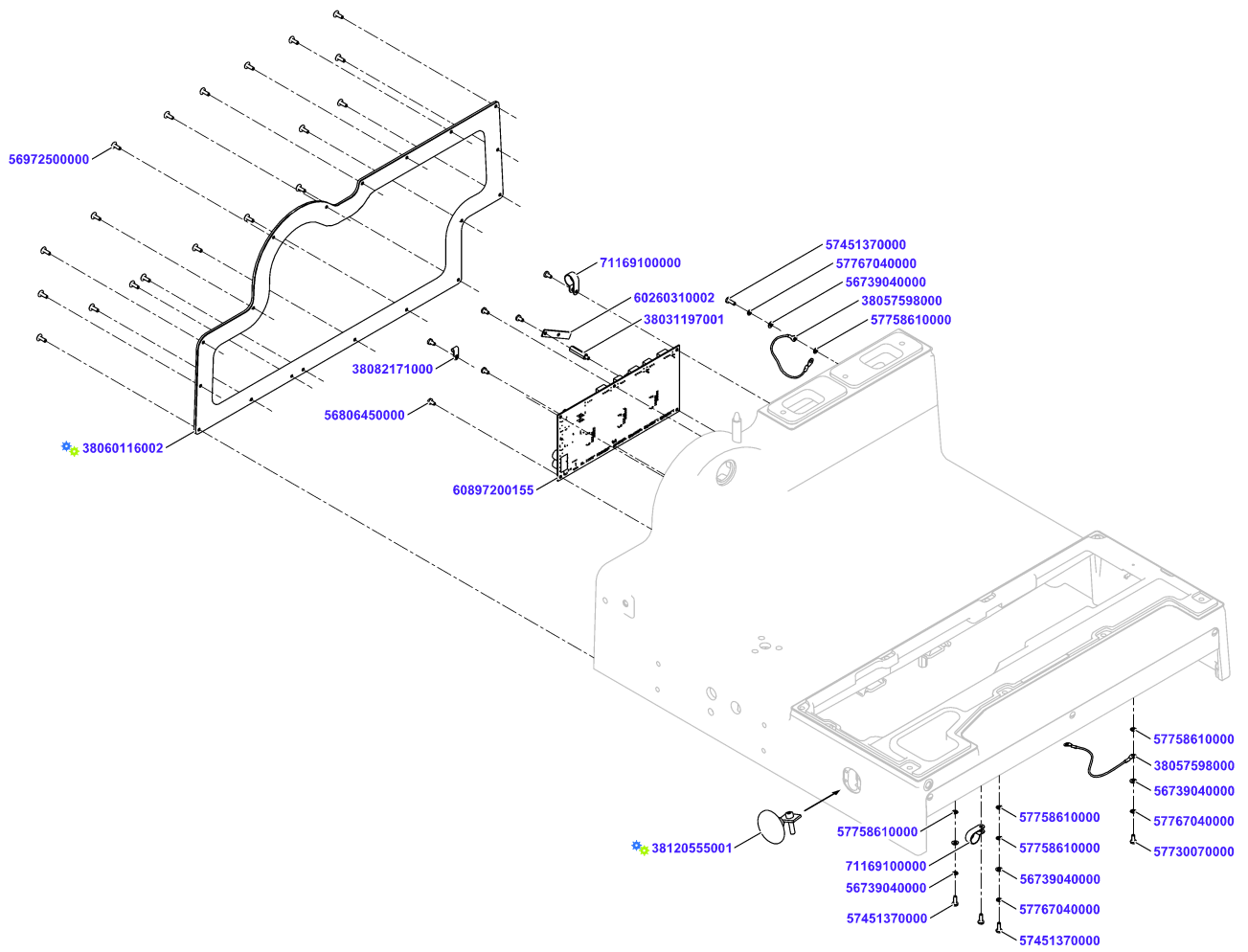
# Housing Te W Dt



# Housing Te W Dt

Material No.	Qty	Material description	available for order	Wear part	Recomm. sp. part	Metr. relevance
<a href="#">38140325001</a>	1	Drive Housing Te W Dt cpl				
<a href="#">38140340001</a>	1	Machine Housing cpl.				
<a href="#">57743430000</a>	8	Cylinder screw DIN 912-M6x20-A2-70	✓			
<a href="#">57767060000</a>	8	Spring lock washer DIN128-A6-FSt	✓			
<a href="#">57744870000</a>	2	Protective plug 10x5,2x3,1-PE	✓		✓	
<a href="#">38050314000</a>	1	Support motortower cpl	✓			
<a href="#">38139233000</a>	1	Motor Tower Dt cpl	✓			
<a href="#">57743670000</a>	3	Cylinder screw DIN912 M8x20-A2-70	✓			
<a href="#">56739080000</a>	3	Washer DIN125-A-8-A2	✓			
<a href="#">95972950002</a>	1	Loctite 243 50 ml	✓			
<a href="#">38066532000</a>	1	Cable set standard				

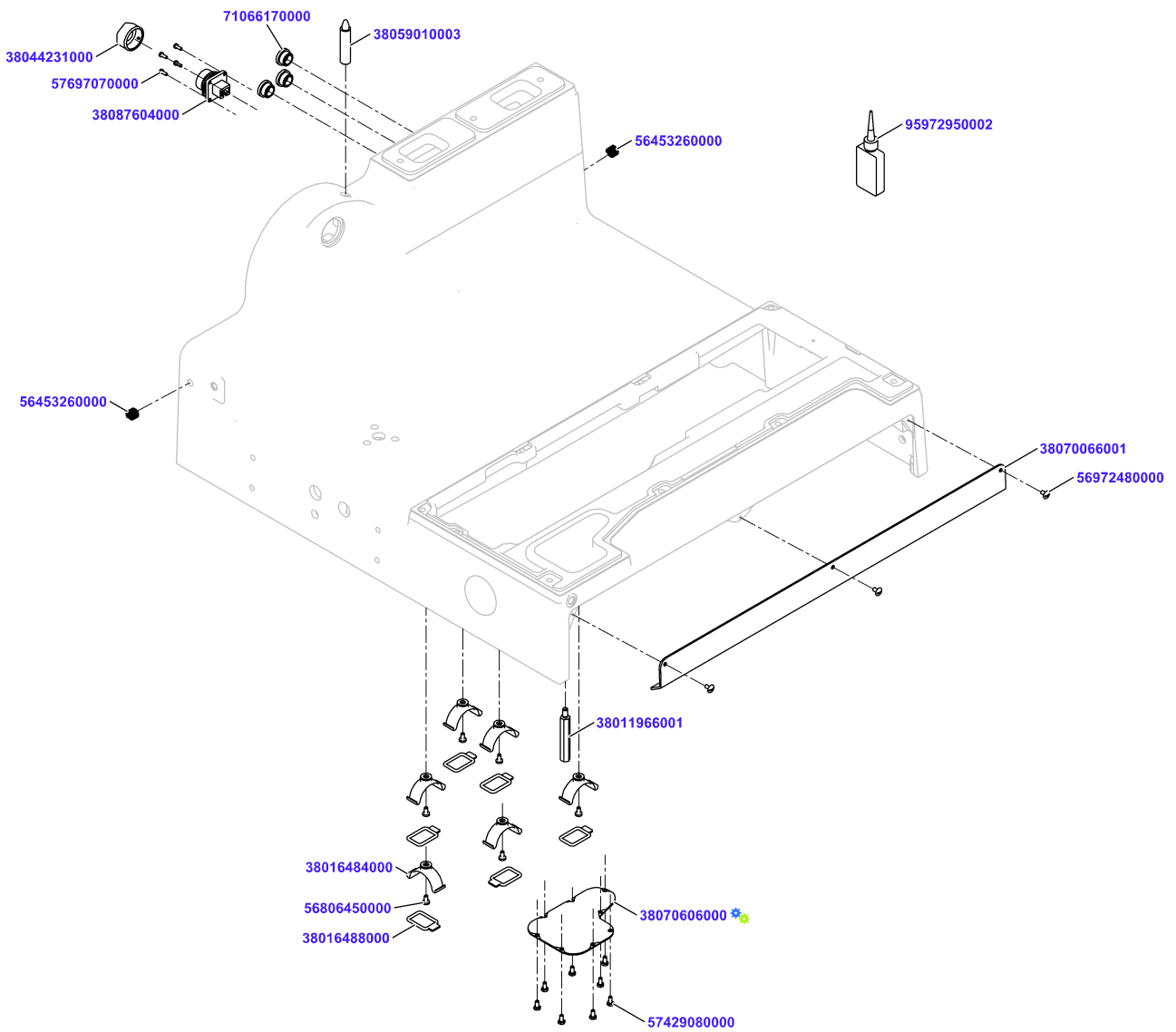
# Drive Housing Te W Dt cpl



















# Drive Housing Te W Dt cpl

Material No.	Qty	Material description	available for order	Wear part	Recomm. sp. part	Metr. relevance
56806450000	6	Oval-head screw ISO14583 M4x8-A2-70-T20	✓			
60897200155	1	PCBAP MC 3ph 6ch lv bus	✓			
38082171000	1	Fastening Clip 3mm closed metal	✓			
71169100000	1	Cable Clamp nylon 14mm NK-10N	✓			
38031197001	1	Thread Bolt M4	✓			
60260310002	1	Sheet strap 60x10x1,5	✓			
56806450000	6	Oval-head screw ISO14583 M4x8-A2-70-T20	✓			
38057598000	1	Ka Li GN/YE AWG18 0,22m	✓			
57451370000	1	Oval-head screw ISO14583 M4x12-A2-70-T20	✓			
57767040000	1	Spring lock washer DIN128-A4-FSt	✓			
56739040000	1	Washer DIN125-A 4.3-A2-70	✓			
57758610000	1	Toothed washer DIN6797-A 4,3-Fst	✓			
38057598000	1	Ka Li GN/YE AWG18 0,22m	✓			
57730070000	1	Oval-head screw ISO14583 M4x10-A2-70-T20	✓			
57767040000	1	Spring lock washer DIN128-A4-FSt	✓			
56739040000	1	Washer DIN125-A 4.3-A2-70	✓			
57758610000	1	Toothed washer DIN6797-A 4,3-Fst	✓			
57451370000	1	Oval-head screw ISO14583 M4x12-A2-70-T20	✓			
71169100000	1	Cable Clamp nylon 14mm NK-10N	✓			
57451370000	2	Oval-head screw ISO14583 M4x12-A2-70-T20	✓			
57767040000	2	Spring lock washer DIN128-A4-FSt	✓			
56739040000	1	Washer DIN125-A 4.3-A2-70	✓			
57758610000	3	Toothed washer DIN6797-A 4,3-Fst	✓			
56739040000	1	Washer DIN125-A 4.3-A2-70	✓			
38060116002	1	Cover Drivehousing prem	✓			
56972500000	19	Mushroom head screw M4x12-A2-70	✓			
38120555001	1	Sealing Cover Compl.	✓			

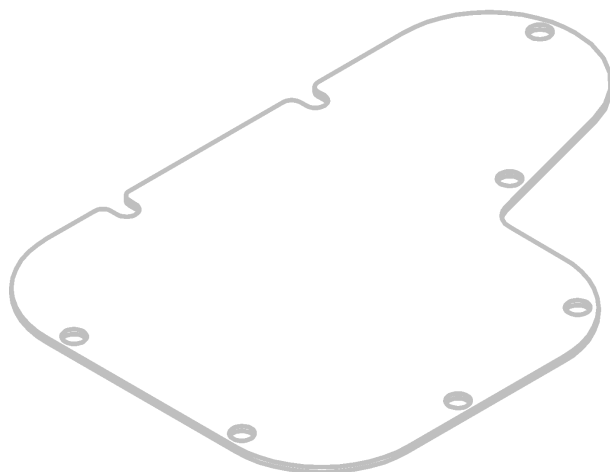
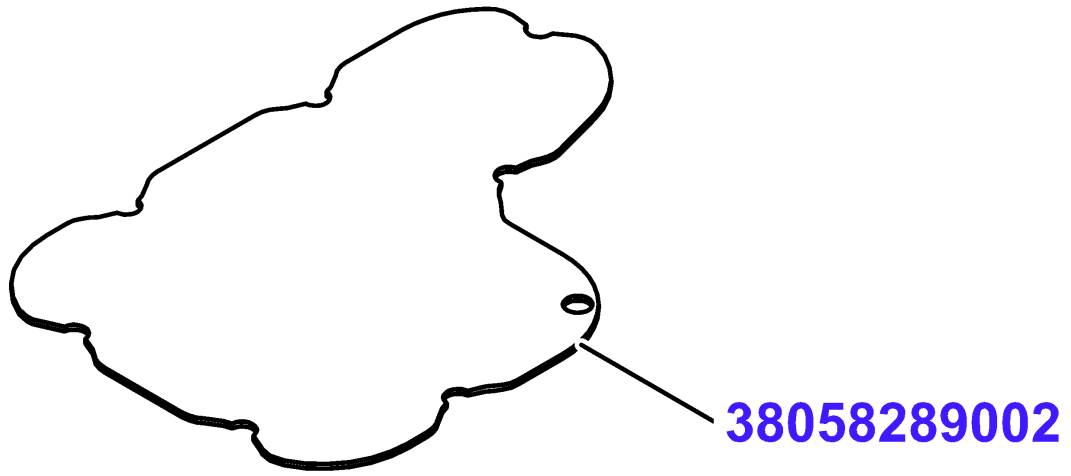
# Drive Housing Te W Dt cpl



## Drive Housing Te W Dt cpl

Material No.	Qty	Material description	available for order	Wear part	Recomm. sp. part	Metr. relevance
<a href="#">56453260000</a>	2	Threaded insert M10x10				
<a href="#">38059010003</a>	1	Catching Bolt				
<a href="#">95972950002</a>	1	Loctite 243 50 ml				
<a href="#">38016484000</a>	6	Cradle Clip C3				
<a href="#">56806450000</a>	6	Oval-head screw ISO14583 M4x8-A2-70-T20				
<a href="#">38016488000</a>	6	Retaining Ring R3				
<a href="#">56806450000</a>	6	Oval-head screw ISO14583 M4x8-A2-70-T20				
<a href="#">38011966001</a>	1	Distance bolt 10x60 M6-M6 In-Out				
<a href="#">38070066001</a>	1	Cover				
<a href="#">56972480000</a>	3	Mushroom head screw M4x8-A2-70 Tuflok				
<a href="#">38070606000</a>	1	Cover prem				
<a href="#">57429080000</a>	8	Hexagon screw DIN933 M4x8 A2-70				
<a href="#">38044231000</a>	1	Protection Cap Flangehousing				
<a href="#">38087604000</a>	1	Connector Metal Bayonett RJ45 Ethernet				
<a href="#">57697070000</a>	4	Cylinder screw DIN84 M3x8-A2-70				
<a href="#">71066170000</a>	3	Blind plug BLK- M16				

# Cover prem



# Cover prem

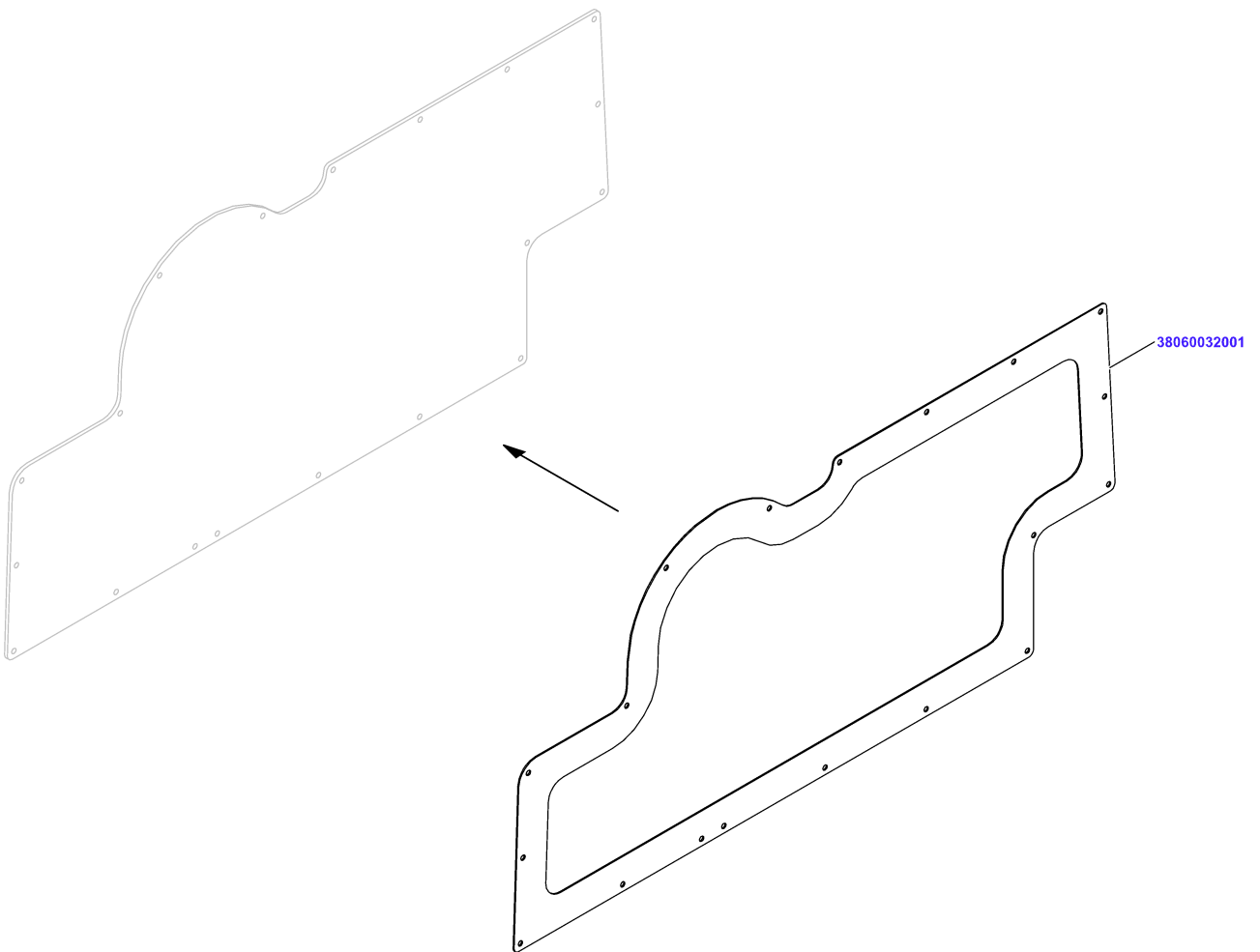
**Material No.**    **Qty**    **Material description**

38058289002    1    Sealing

available for order
Wear part
Recomm. sp. part
Metr. relevance



# Cover Drivehousing prem



# Cover Drivehousing prem

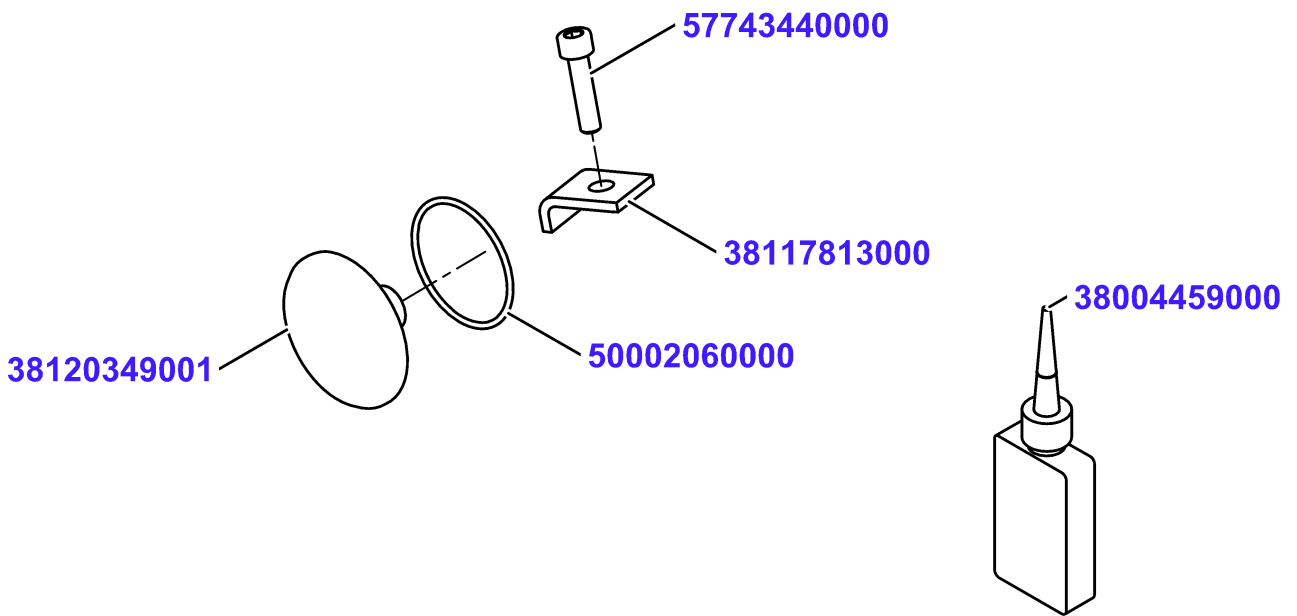
**Material No.**    **Qty**    **Material description**

38060032001    1    Sealing

available for order
Wear part
Recomm. sp. part
Metr. relevance



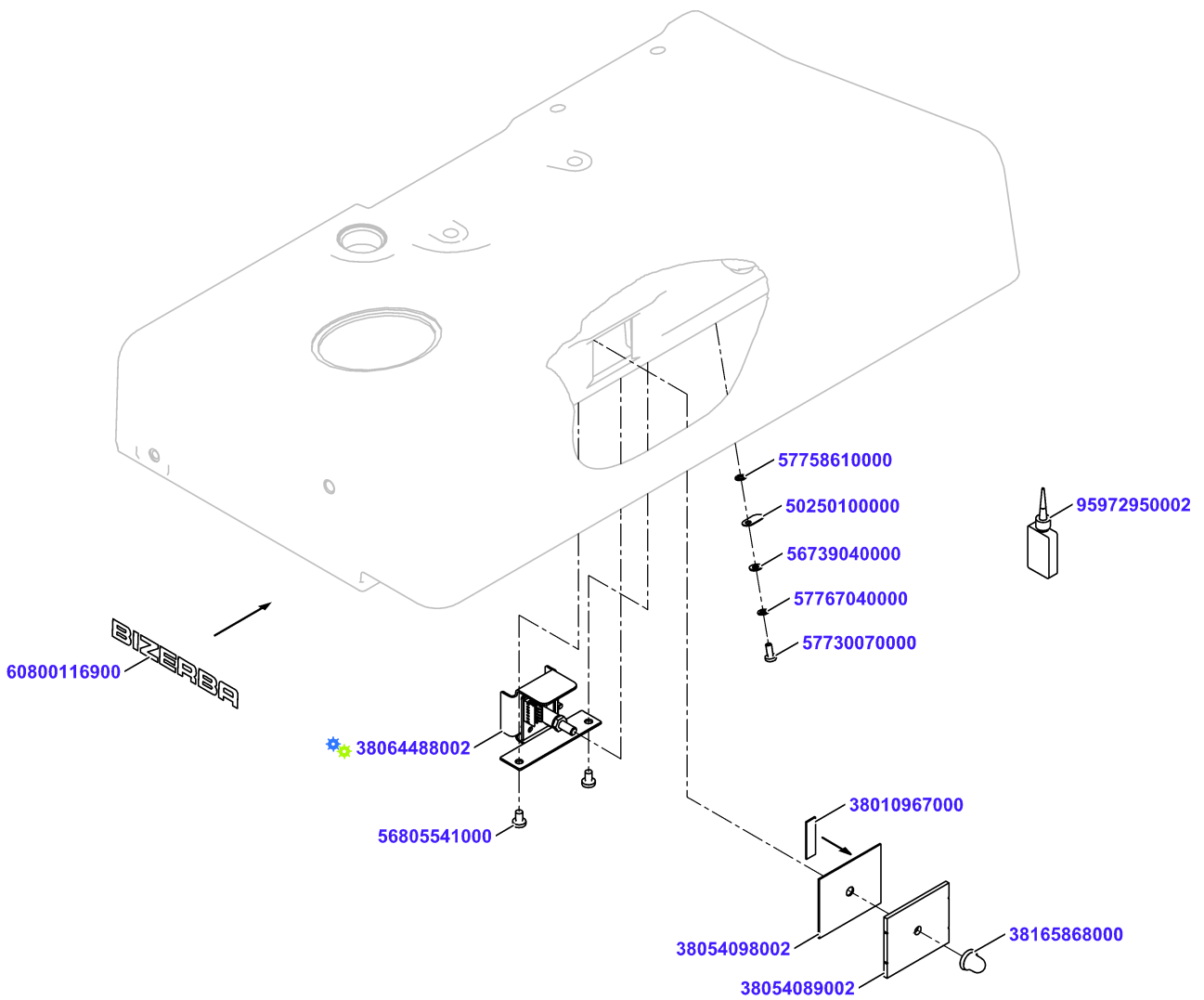
# Sealing Cover Compl.



## Sealing Cover Compl.

Material No.	Qty	Material description	available for order	Wear part	Recomm. sp. part	Metr. relevance
<a href="#">38120349001</a>	1	Sealing Cover 49 x 21				
<a href="#">38117813000</a>	1	Sheet Steel Angle 20x11,5x28x3				
<a href="#">50002060000</a>	1	O-ring DIN3771 37,82x1,78 NBR				
<a href="#">57743440000</a>	1	Cylinder screw DIN912 M6x25-A2-70				
<a href="#">38004459000</a>	0,001	Loctite 648				

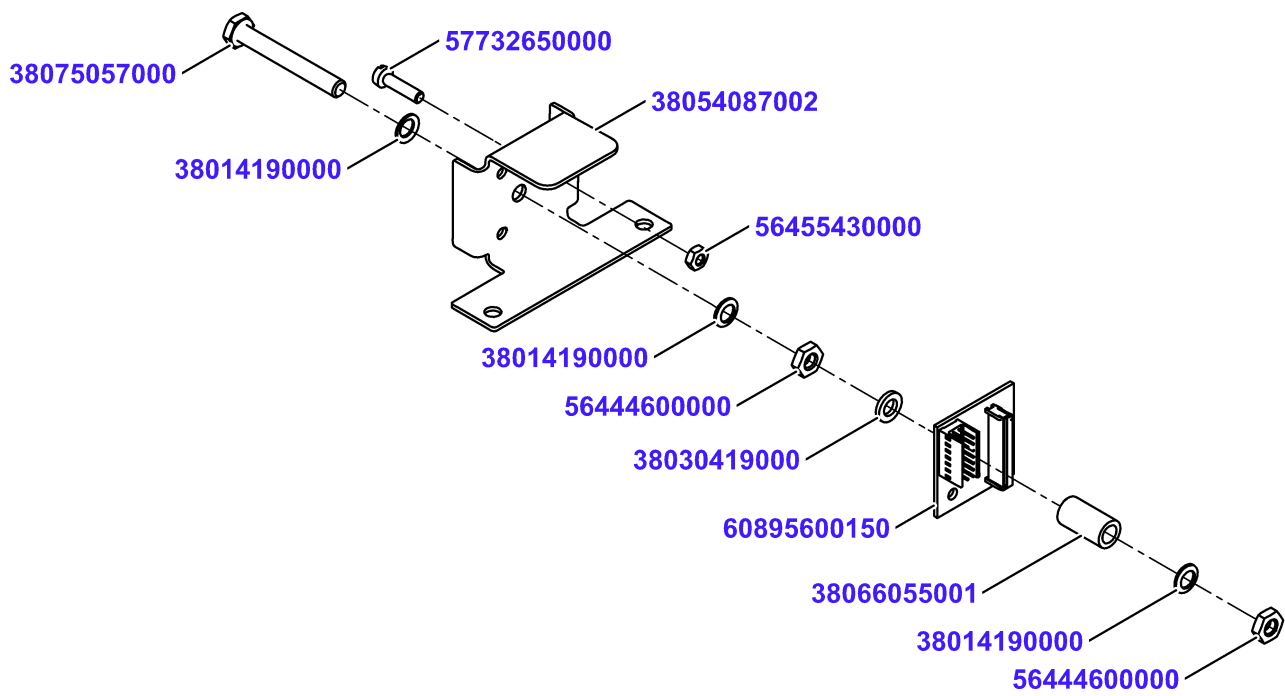
# Machine Housing cpl.














## Machine Housing cpl.

Material No.	Qty	Material description	available for order	Wear part	Recomm. sp. part	Metr. relevance
<a href="#">38064488002</a>	1	Connector ribbon cable				
<a href="#">56805541000</a>	2	Oval-head screw ISO14583 M5x8-A2-70-T25	✓			
<a href="#">38010967000</a>	1	Sealing	✓		✓	
<a href="#">38054098002</a>	1	Seal	✓		✓	
<a href="#">38054089002</a>	1	cover inside	✓			
<a href="#">38165868000</a>	1	Hygienic Cap Nut M6 with Precote 30-8	✓			
<a href="#">57758610000</a>	1	Toothed washer DIN6797-A 4,3-Fst	✓			
<a href="#">50250100000</a>	1	Grounding Plate 9x17/4.3 D	✓			
<a href="#">56739040000</a>	1	Washer DIN125-A 4.3-A2-70	✓			
<a href="#">57767040000</a>	1	Spring lock washer DIN128-A4-FSt	✓			
<a href="#">57730070000</a>	1	Oval-head screw ISO14583 M4x10-A2-70-T20	✓			
<a href="#">60800116900</a>	1	Bizerba character font	✓			

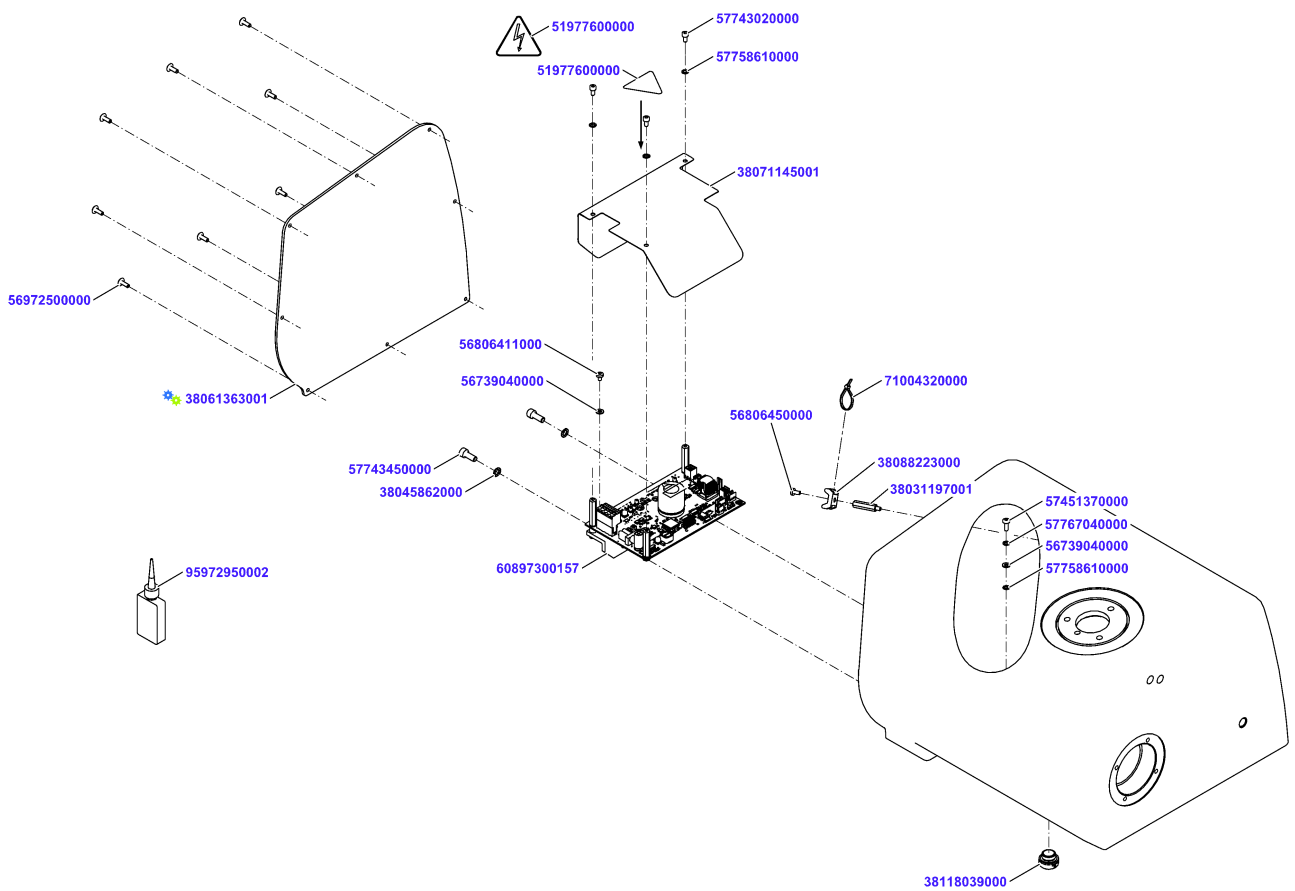
## Connector ribbon cable



## Connector ribbon cable

Material No.	Qty	Material description	available for order	Wear part	Recomm. sp. part	Metr. relevance
<a href="#">38054087002</a>	1	Mounting Bracket				
<a href="#">38075057000</a>	1	Hexagon Screw DIN 933 M6x45-A2-70				
<a href="#">38014190000</a>	2	Retaining washer S6-A2				
<a href="#">56444600000</a>	1	Hexagon nut DIN439-M6-A2				
<a href="#">38030419000</a>	1	thrust washer				
<a href="#">60895600150</a>	1	PCBA Intermediate Board 2				
<a href="#">38066055001</a>	1	tube				
<a href="#">38014190000</a>	1	Retaining washer S6-A2				
<a href="#">56444600000</a>	1	Hexagon nut DIN439-M6-A2				
<a href="#">57732650000</a>	1	Cylinder screw DIN84 M4x16				
<a href="#">56455430000</a>	1	Hexagon nut DIN934-M4-PA 66				

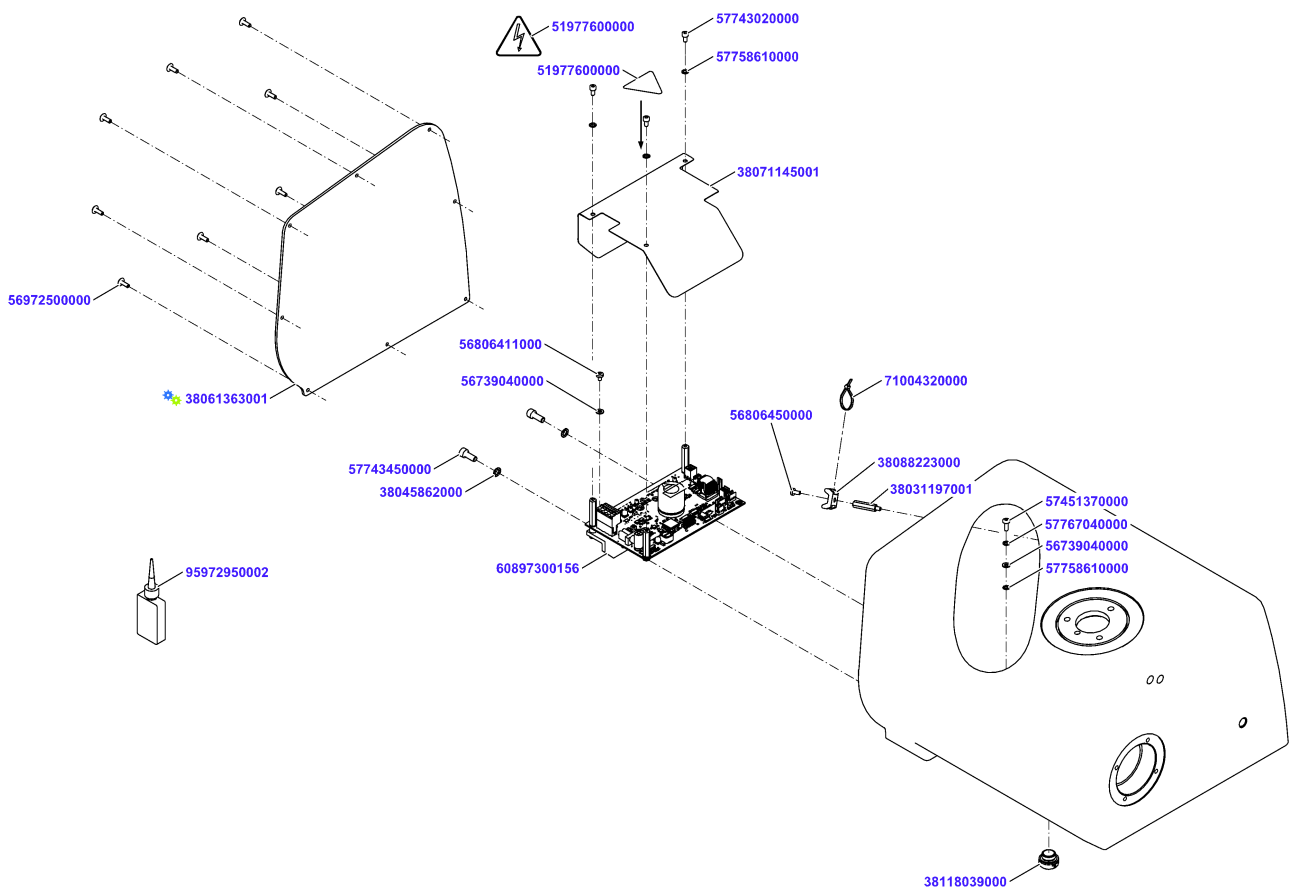
# Motor Tower Dt cpl



# Motor Tower Dt cpl

Material No.	Qty	Material description	available for order	Wear part	Recomm. sp. part	Metr. relevance
60897300157	1	PCBAP MC 3ph 2ch hv bus	✓			
57743450000	2	Cylinder screw DIN912 M6x16-A2-70	✓			
38045862000	2	Toothed washer DIN6797-A 6,4-A2	✓			
95972950002	0,001	Loctite 243 50 ml	✓			
56806450000	1	Oval-head screw ISO14583 M4x8-A2-70-T20	✓			
56739040000	1	Washer DIN125-A 4.3-A2-70	✓			
38071145001	1	Protection Plate	✓			
57743020000	3	Cylinder screw DIN912 M4x8-A2-70	✓			
57758610000	3	Toothed washer DIN6797-A 4,3-Fst	✓			
51977600000	1	Warning plate with danger arrow 50	✓			
38031197001	1	Thread Bolt M4	✓			
38088223000	1	Fastening Socket 9mm	✓			
56806450000	1	Oval-head screw ISO14583 M4x8-A2-70-T20	✓			
71004320000	1	Cable Tie T40R	✓			
38061363001	1	Cover Motor Tower prem	✓			
56972500000	8	Mushroom head screw M4x12-A2-70	✓			
56739040000	1	Washer DIN125-A 4.3-A2-70	✓			
57451370000	1	Oval-head screw ISO14583 M4x12-A2-70-T20	✓			
57767040000	1	Spring lock washer DIN128-A4-FSt	✓			
57758610000	1	Toothed washer DIN6797-A 4,3-Fst	✓			
38118039000	1	Dummy plug hygienic BL-M M16x1,5 V4A	✓			
95972950002	0,001	Loctite 243 50 ml	✓			

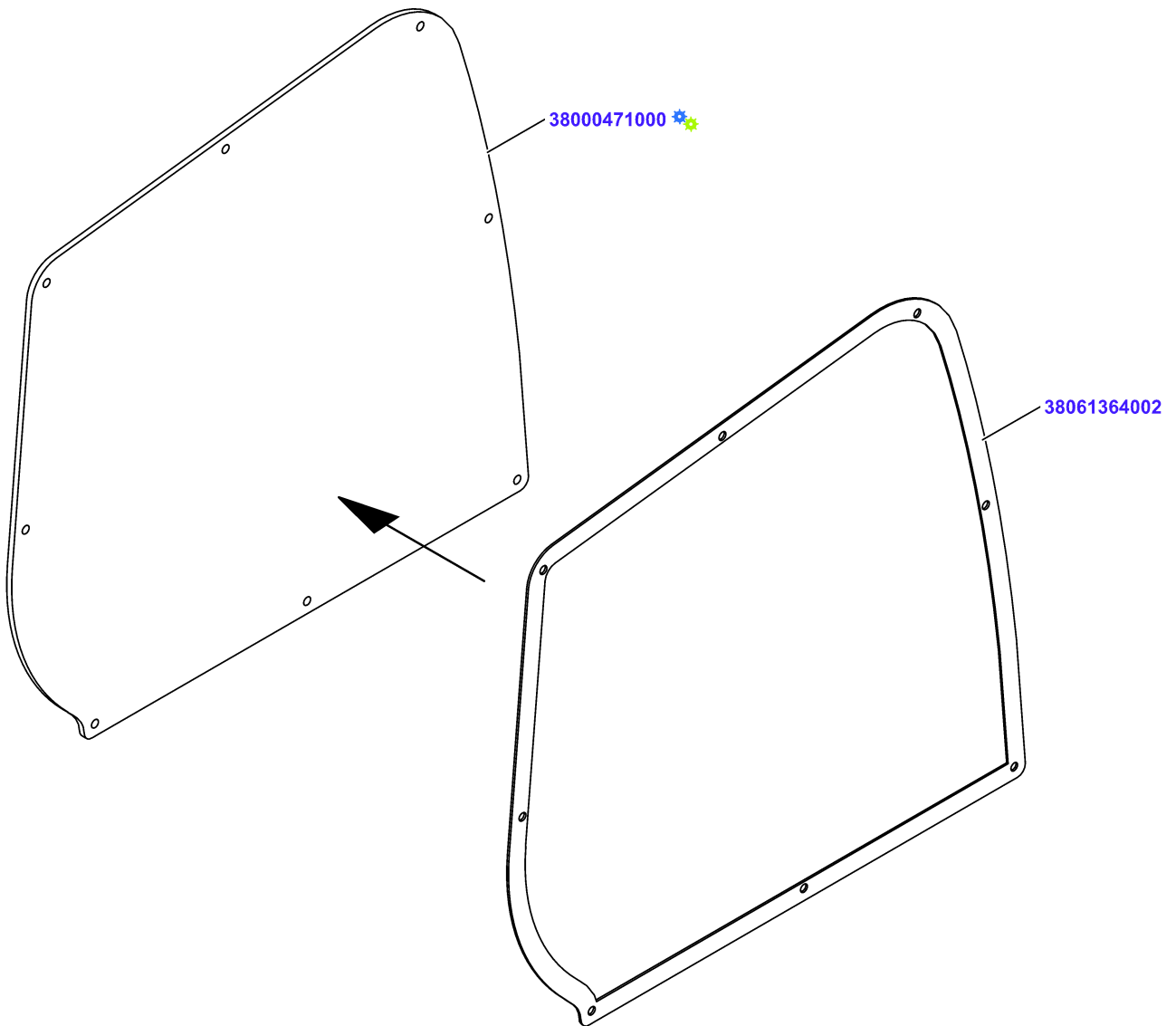
# Motor Tower Dt cpl



# Motor Tower Dt cpl

Material No.	Qty	Material description	available for order	Wear part	Recomm. sp. part	Metr. relevance
<a href="#">57743450000</a>	2	Cylinder screw DIN912 M6x16-A2-70	✓			
<a href="#">38045862000</a>	2	Toothed washer DIN6797-A 6,4-A2	✓			
<a href="#">95972950002</a>	0,001	Loctite 243 50 ml	✓			
<a href="#">56806450000</a>	1	Oval-head screw ISO14583 M4x8-A2-70-T20	✓			
<a href="#">56739040000</a>	1	Washer DIN125-A 4.3-A2-70	✓			
<a href="#">38071145001</a>	1	Protection Plate	✓			
<a href="#">57743020000</a>	3	Cylinder screw DIN912 M4x8-A2-70	✓			
<a href="#">57758610000</a>	3	Toothed washer DIN6797-A 4,3-Fst	✓			
<a href="#">51977600000</a>	1	Warning plate with danger arrow 50	✓			
<a href="#">38031197001</a>	1	Thread Bolt M4	✓			
<a href="#">38088223000</a>	1	Fastening Socket 9mm	✓			
<a href="#">56806450000</a>	1	Oval-head screw ISO14583 M4x8-A2-70-T20	✓			
<a href="#">71004320000</a>	1	Cable Tie T40R	✓			
<a href="#">38061363001</a>	1	Cover Motor Tower prem	✓			
<a href="#">56972500000</a>	8	Mushroom head screw M4x12-A2-70	✓			
<a href="#">56739040000</a>	1	Washer DIN125-A 4.3-A2-70	✓			
<a href="#">57451370000</a>	1	Oval-head screw ISO14583 M4x12-A2-70-T20	✓			
<a href="#">57767040000</a>	1	Spring lock washer DIN128-A4-FSt	✓			
<a href="#">57758610000</a>	1	Toothed washer DIN6797-A 4,3-Fst	✓			
<a href="#">38118039000</a>	1	Dummy plug hygienic BL-M M16x1,5 V4A	✓			
<a href="#">95972950002</a>	0,001	Loctite 243 50 ml	✓			

# Cover Motor Tower prem

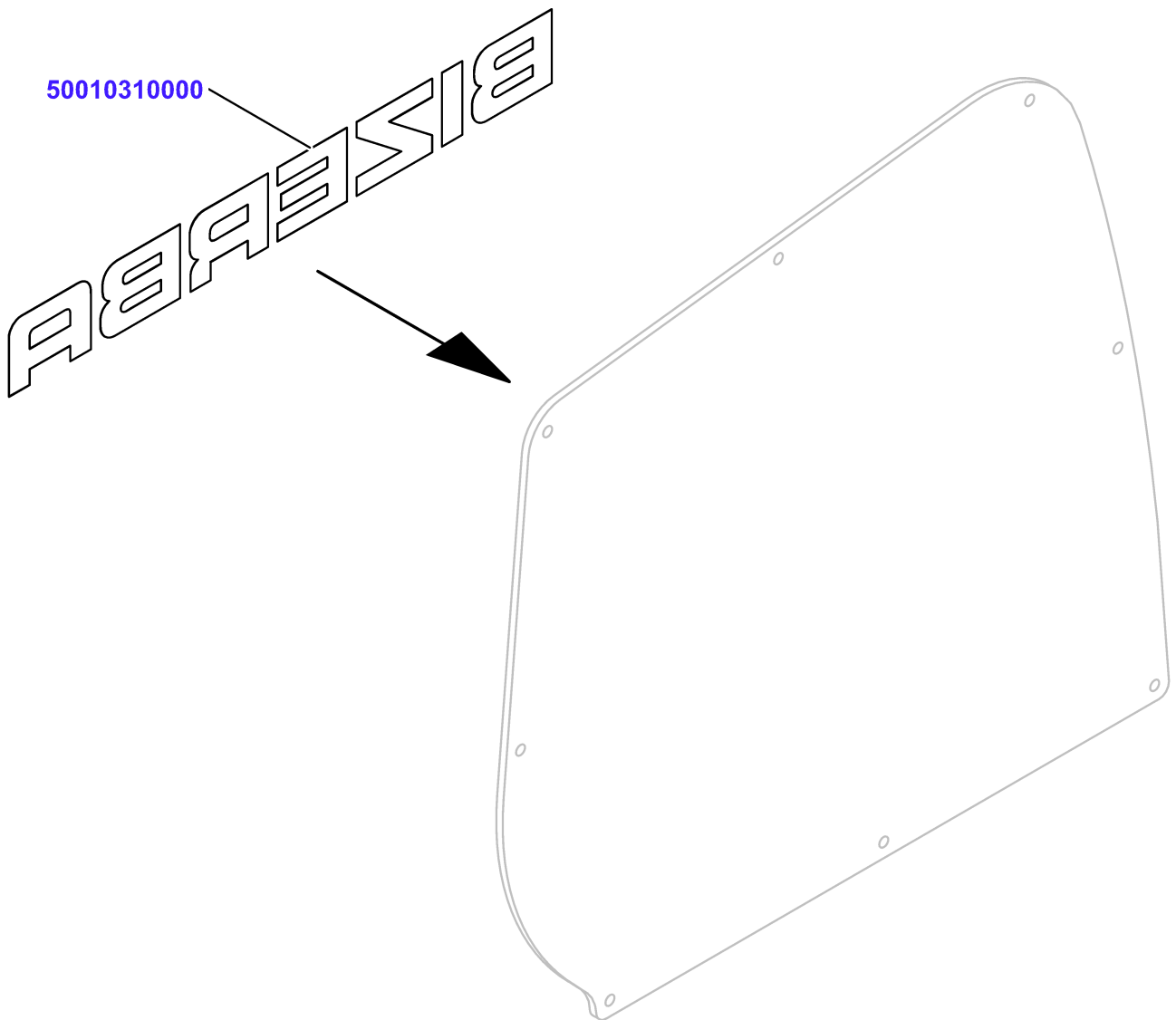


# Cover Motor Tower prem

Material No.	Qty	Material description
38061364002	1	Sealing
38000471000	1	Cover Motor Tower

available for order	Wear part	Recomm. sp. part	Metr. relevance
✓		✓	

# Cover Motor Tower



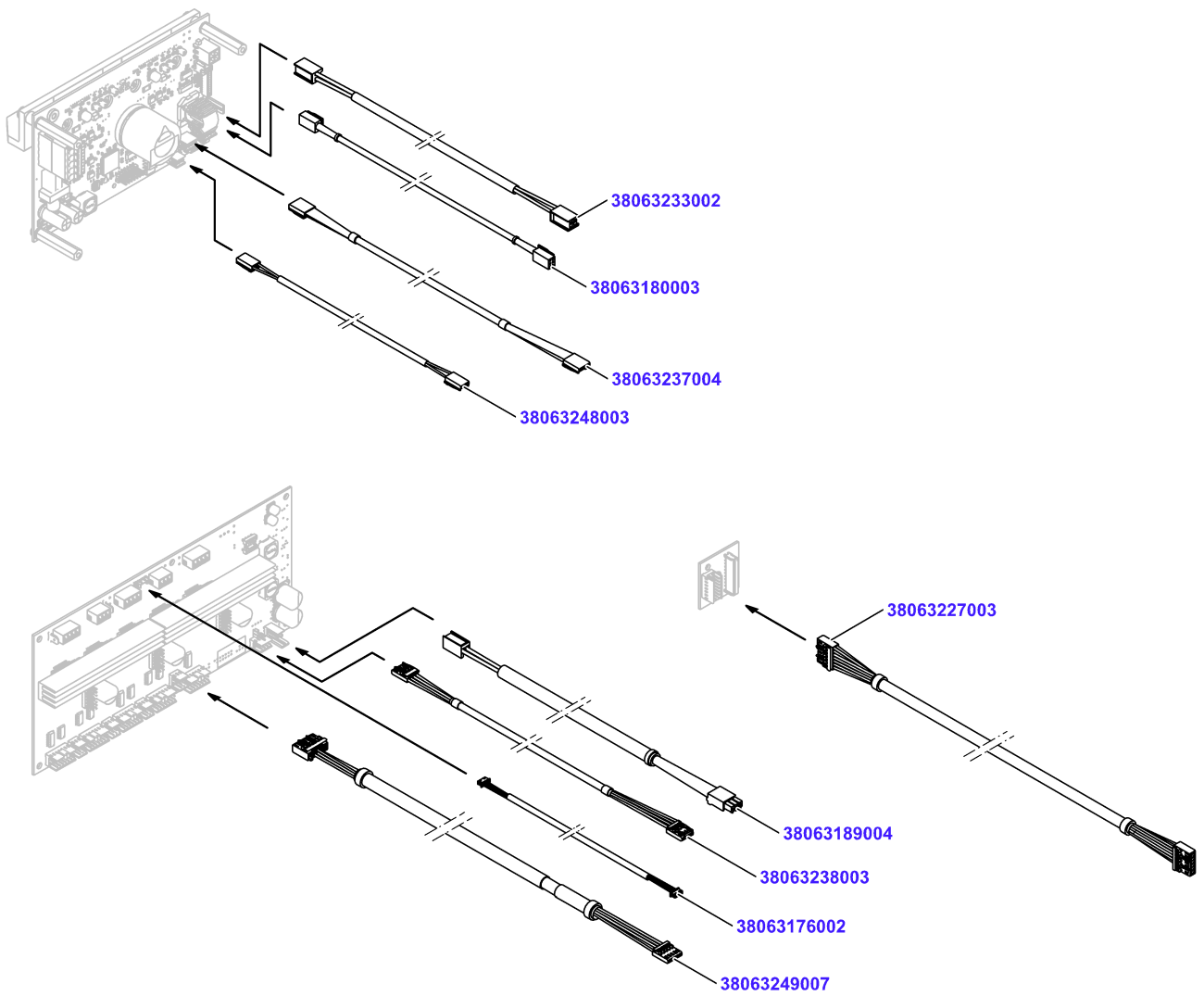
# Cover Motor Tower

Material No.	Qty	Material description
<a href="#">50010310000</a>	1	Bizerba Lettering L255 H30










available for order
Wear part
Recomm. sp. part
Metr. relevance



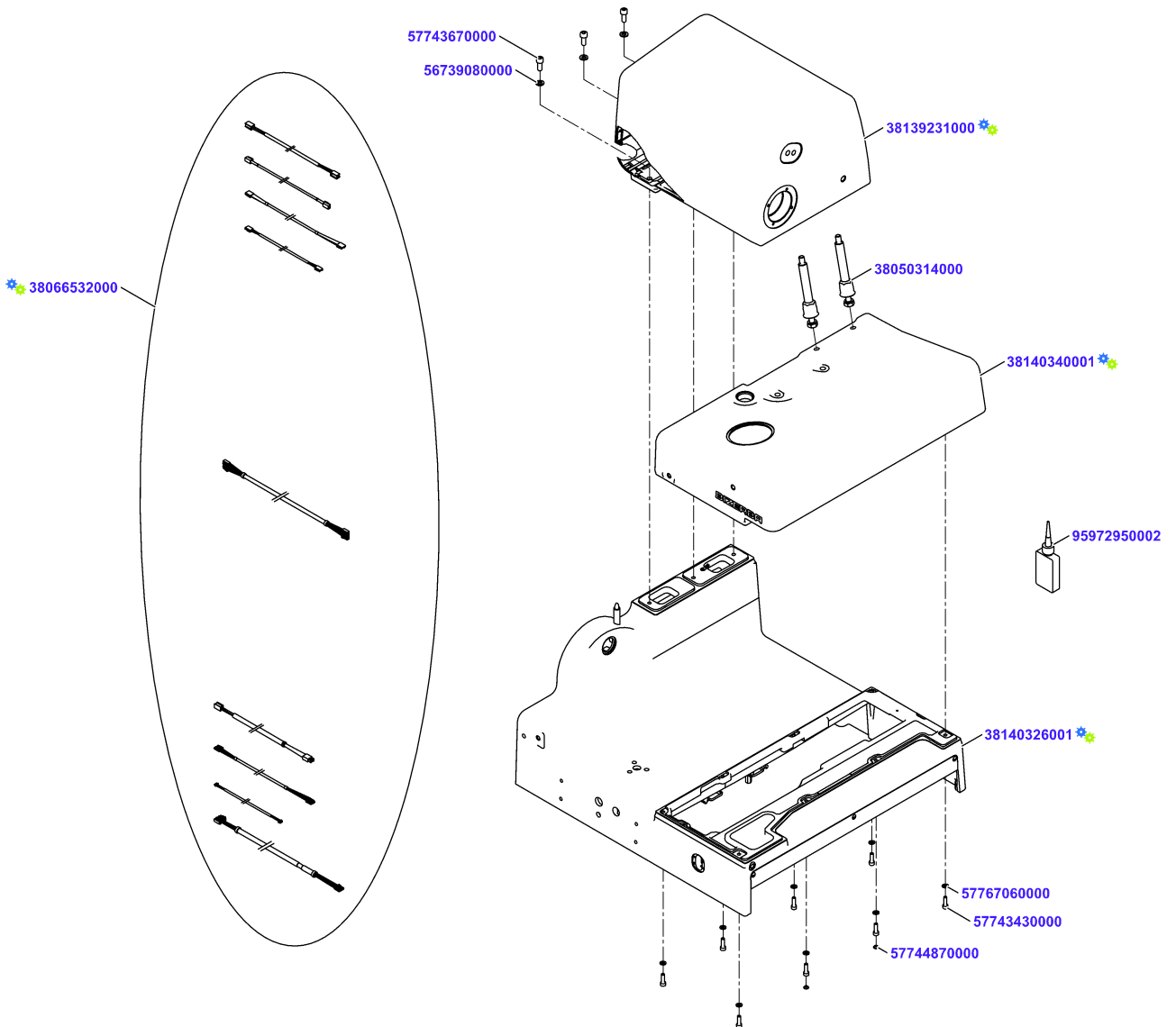
# Cable set standard



## Cable set standard

Material No.	Qty	Material description	available for order	Wear part	Recomm. sp. part	Metr. relevance
<a href="#">38063180003</a>	1	Ka Rd 4x0,14 1,05m				
<a href="#">38063248003</a>	1	Ka Rd 2x0,34 1,05m				
<a href="#">38063237004</a>	1	Ka Rd 2x2x24AWG 0,87m				
<a href="#">38063233002</a>	1	Ka Rd 2x0,75 0,77m				
<a href="#">38063238003</a>	1	Ka Rd 2x2x24AWG 0,29m				
<a href="#">38063176002</a>	1	Ka Rd 4x0,14 0,66m				
<a href="#">38063189004</a>	1	Ca Rd 2x0,75 0,29m				
<a href="#">38063249007</a>	1	Ka Rd 2x2xAWG26 0,38m				
<a href="#">38063227003</a>	1	Ka Rd 8x2x0,14 0,50m				

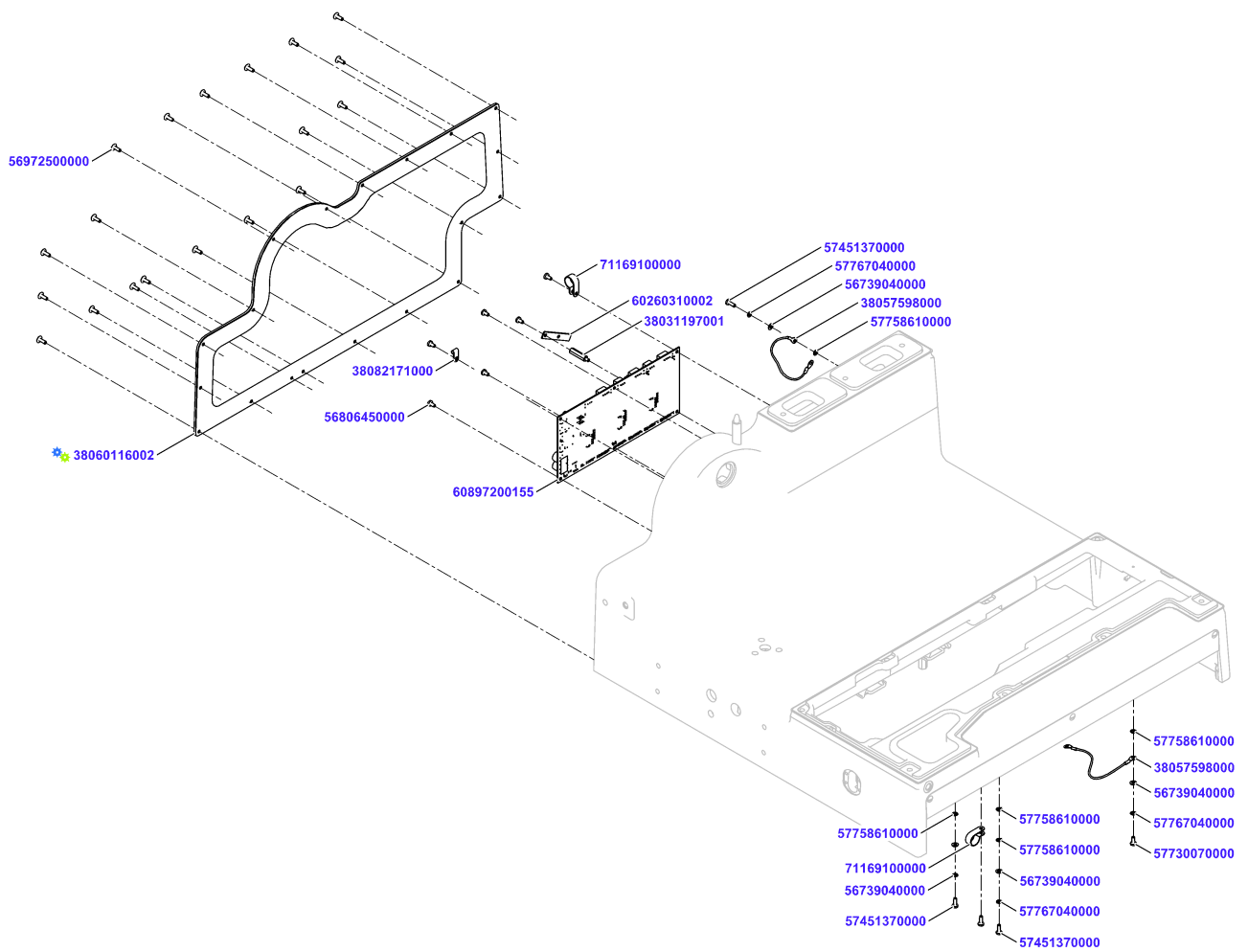
# Housing Te W Db



# Housing Te W Db

Material No.	Qty	Material description	available for order	Wear part	Recomm. sp. part	Metr. relevance
<a href="#">38140326001</a>	1	Drive Housing Te W Db cpl				
<a href="#">38140340001</a>	1	Machine Housing cpl.				
<a href="#">57743430000</a>	8	Cylinder screw DIN 912-M6x20-A2-70	✓			
<a href="#">57767060000</a>	8	Spring lock washer DIN128-A6-FSt	✓			
<a href="#">57744870000</a>	2	Protective plug 10x5,2x3,1-PE	✓		✓	
<a href="#">38050314000</a>	1	Support motortower cpl	✓			
<a href="#">38139231000</a>	1	Motor Tower Db cpl	✓			
<a href="#">57743670000</a>	3	Cylinder screw DIN912 M8x20-A2-70	✓			
<a href="#">56739080000</a>	3	Washer DIN125-A-8-A2	✓			
<a href="#">95972950002</a>	1	Loctite 243 50 ml	✓			
<a href="#">38066532000</a>	1	Cable set standard				

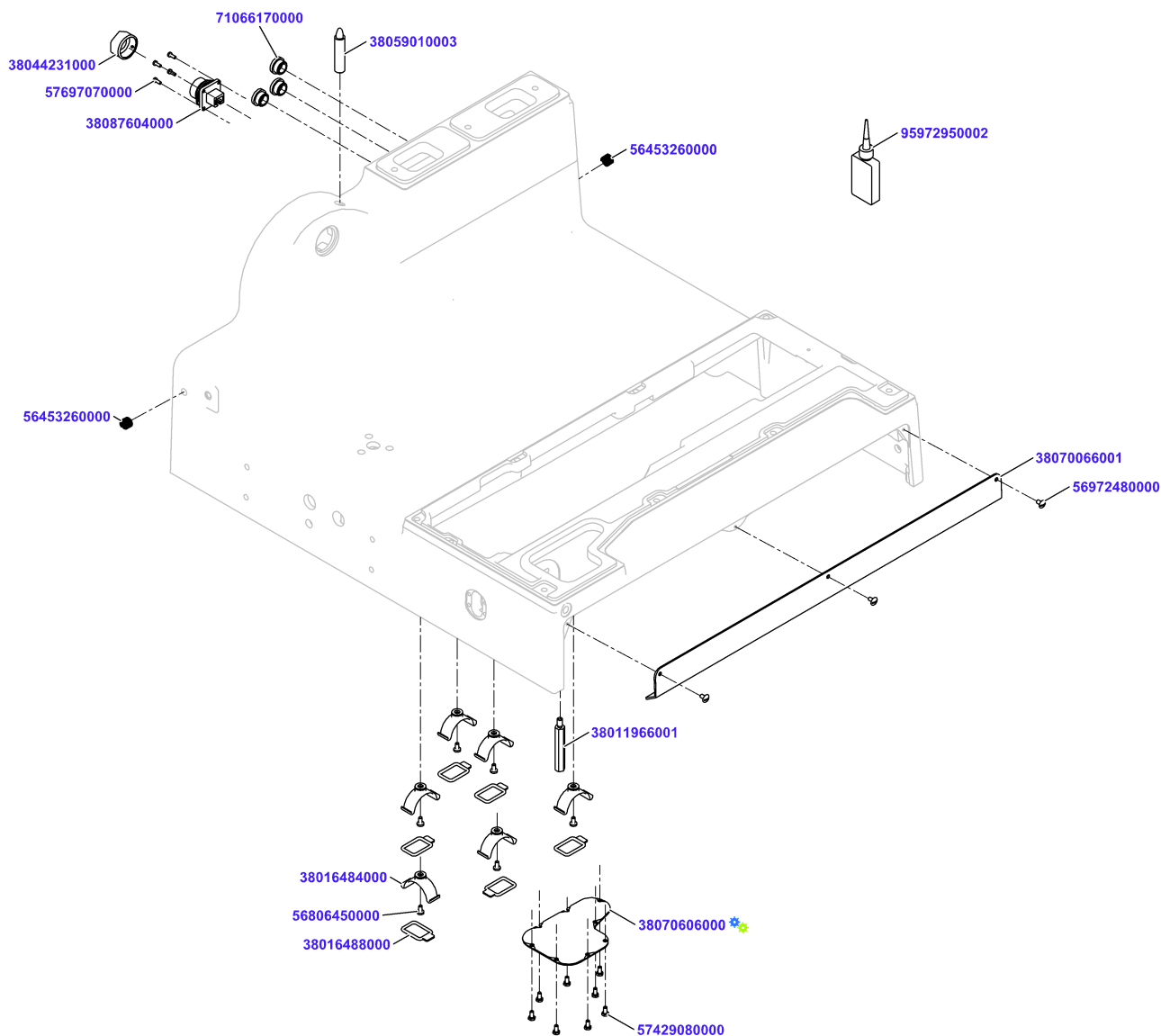
# Drive Housing Te W Db cpl



# Drive Housing Te W Db cpl

Material No.	Qty	Material description	available for order	Wear part	Recomm. sp. part	Metr. relevance
56806450000	6	Oval-head screw ISO14583 M4x8-A2-70-T20	✓			
60897200155	1	PCBAP MC 3ph 6ch lv bus	✓			
38082171000	1	Fastening Clip 3mm closed metal	✓			
71169100000	1	Cable Clamp nylon 14mm NK-10N	✓			
38031197001	1	Thread Bolt M4	✓			
60260310002	1	Sheet strap 60x10x1,5	✓			
56806450000	6	Oval-head screw ISO14583 M4x8-A2-70-T20	✓			
38057598000	1	Ka Li GN/YE AWG18 0,22m	✓			
57451370000	1	Oval-head screw ISO14583 M4x12-A2-70-T20	✓			
57767040000	1	Spring lock washer DIN128-A4-FSt	✓			
56739040000	1	Washer DIN125-A 4.3-A2-70	✓			
57758610000	1	Toothed washer DIN6797-A 4,3-Fst	✓			
38057598000	1	Ka Li GN/YE AWG18 0,22m	✓			
57730070000	1	Oval-head screw ISO14583 M4x10-A2-70-T20	✓			
57767040000	1	Spring lock washer DIN128-A4-FSt	✓			
56739040000	1	Washer DIN125-A 4.3-A2-70	✓			
57758610000	1	Toothed washer DIN6797-A 4,3-Fst	✓			
57451370000	1	Oval-head screw ISO14583 M4x12-A2-70-T20	✓			
71169100000	1	Cable Clamp nylon 14mm NK-10N	✓			
57451370000	2	Oval-head screw ISO14583 M4x12-A2-70-T20	✓			
57767040000	2	Spring lock washer DIN128-A4-FSt	✓			
56739040000	1	Washer DIN125-A 4.3-A2-70	✓			
57758610000	3	Toothed washer DIN6797-A 4,3-Fst	✓			
56739040000	1	Washer DIN125-A 4.3-A2-70	✓			
38060116002	1	Cover Drivehousing prem	✓			
56972500000	19	Mushroom head screw M4x12-A2-70	✓			

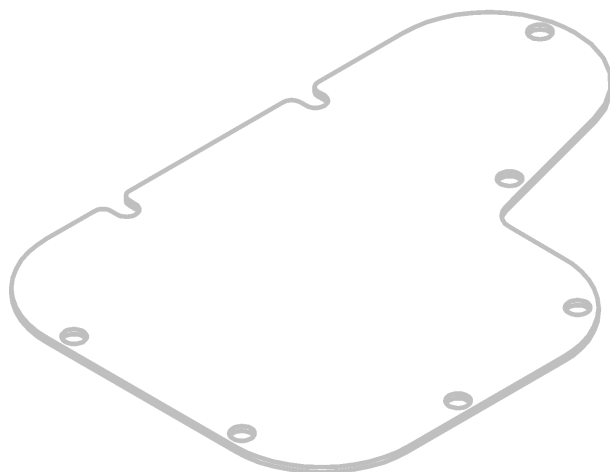
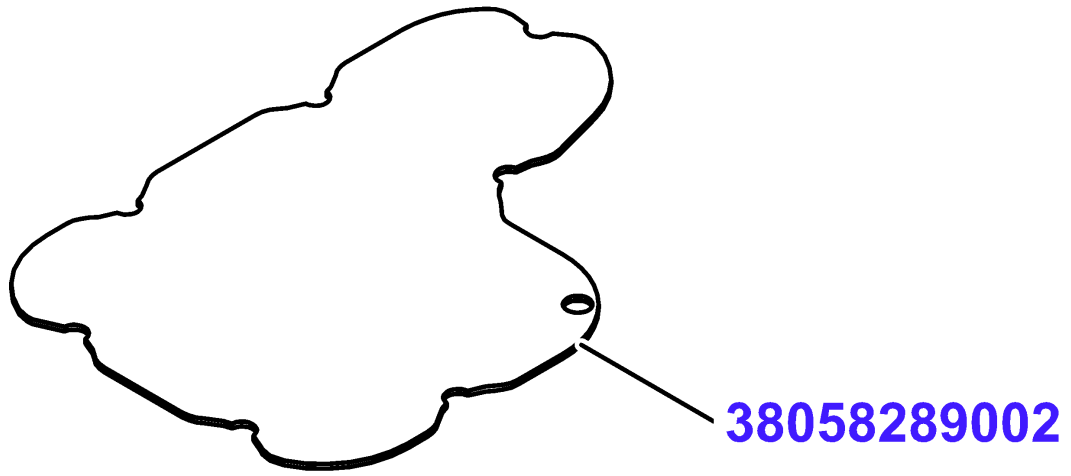
# Drive Housing Te W Db cpl



# Drive Housing Te W Db cpl

Material No.	Qty	Material description	available for order	Wear part	Recomm. sp. part	Metr. relevance
<a href="#">56453260000</a>	2	Threaded insert M10x10	✓			
<a href="#">38059010003</a>	1	Catching Bolt	✓			
<a href="#">95972950002</a>	1	Loctite 243 50 ml	✓			
<a href="#">38016484000</a>	6	Cradle Clip C3	✓			
<a href="#">56806450000</a>	6	Oval-head screw ISO14583 M4x8-A2-70-T20	✓			
<a href="#">38016488000</a>	6	Retaining Ring R3	✓			
<a href="#">56806450000</a>	6	Oval-head screw ISO14583 M4x8-A2-70-T20	✓			
<a href="#">38011966001</a>	1	Distance bolt 10x60 M6-M6 In-Out	✓			
<a href="#">38070066001</a>	1	Cover	✓			
<a href="#">56972480000</a>	3	Mushroom head screw M4x8-A2-70 Tuflok	✓			
<a href="#">38070606000</a>	1	Cover prem	✓			
<a href="#">57429080000</a>	8	Hexagon screw DIN933 M4x8 A2-70	✓			
<a href="#">38044231000</a>	1	Protection Cap Flangehousing	✓			
<a href="#">38087604000</a>	1	Connector Metal Bayonett RJ45 Ethernet	✓			
<a href="#">57697070000</a>	4	Cylinder screw DIN84 M3x8-A2-70	✓			
<a href="#">71066170000</a>	3	Blind plug BLK- M16	✓			

# Cover prem



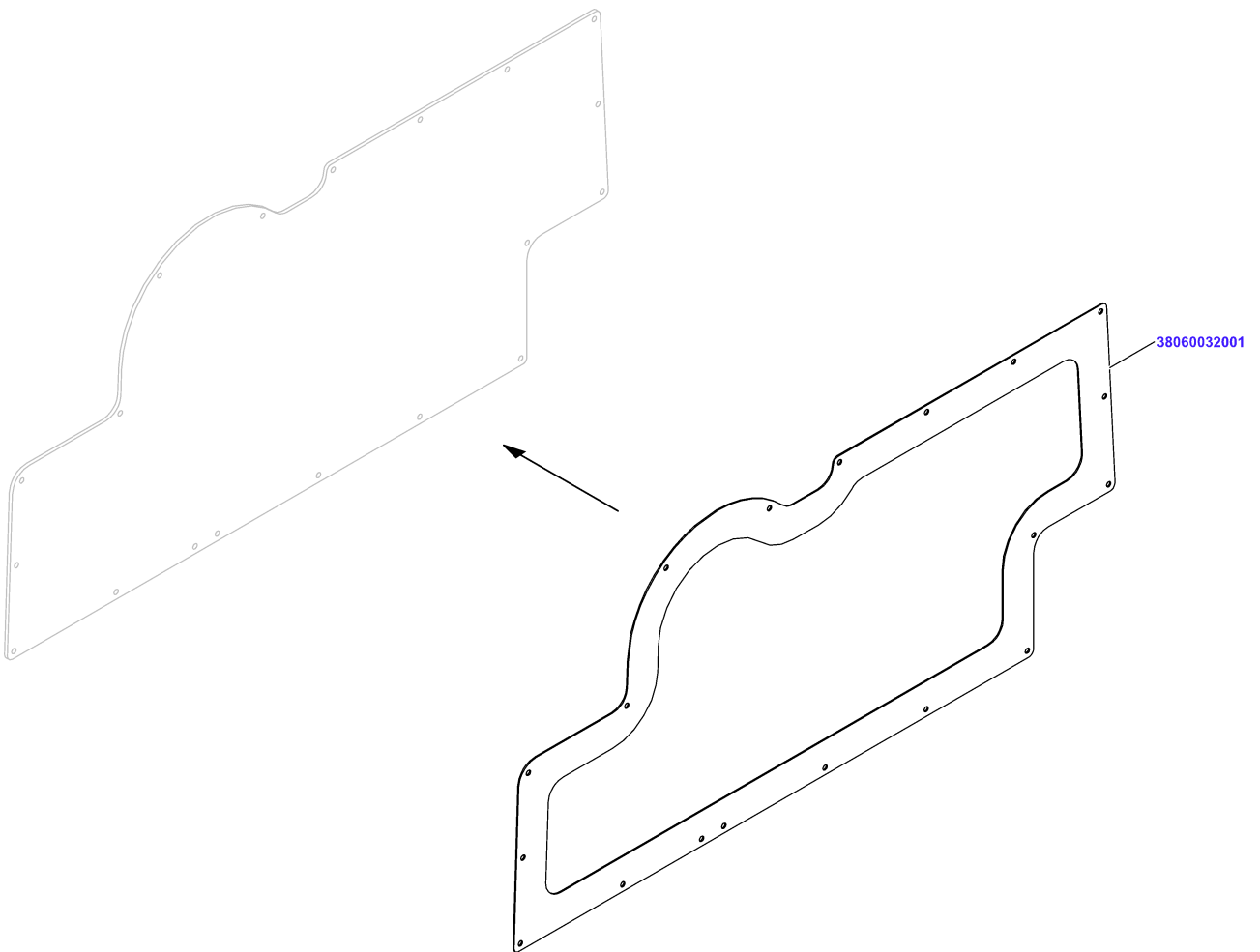
# Cover prem

Material No.	Qty	Material description
--------------	-----	----------------------

<a href="#">38058289002</a>	1	Sealing
-----------------------------	---	---------

available for order
Wear part
Recomm. sp. part
Metr. relevance

# Cover Drivehousing prem



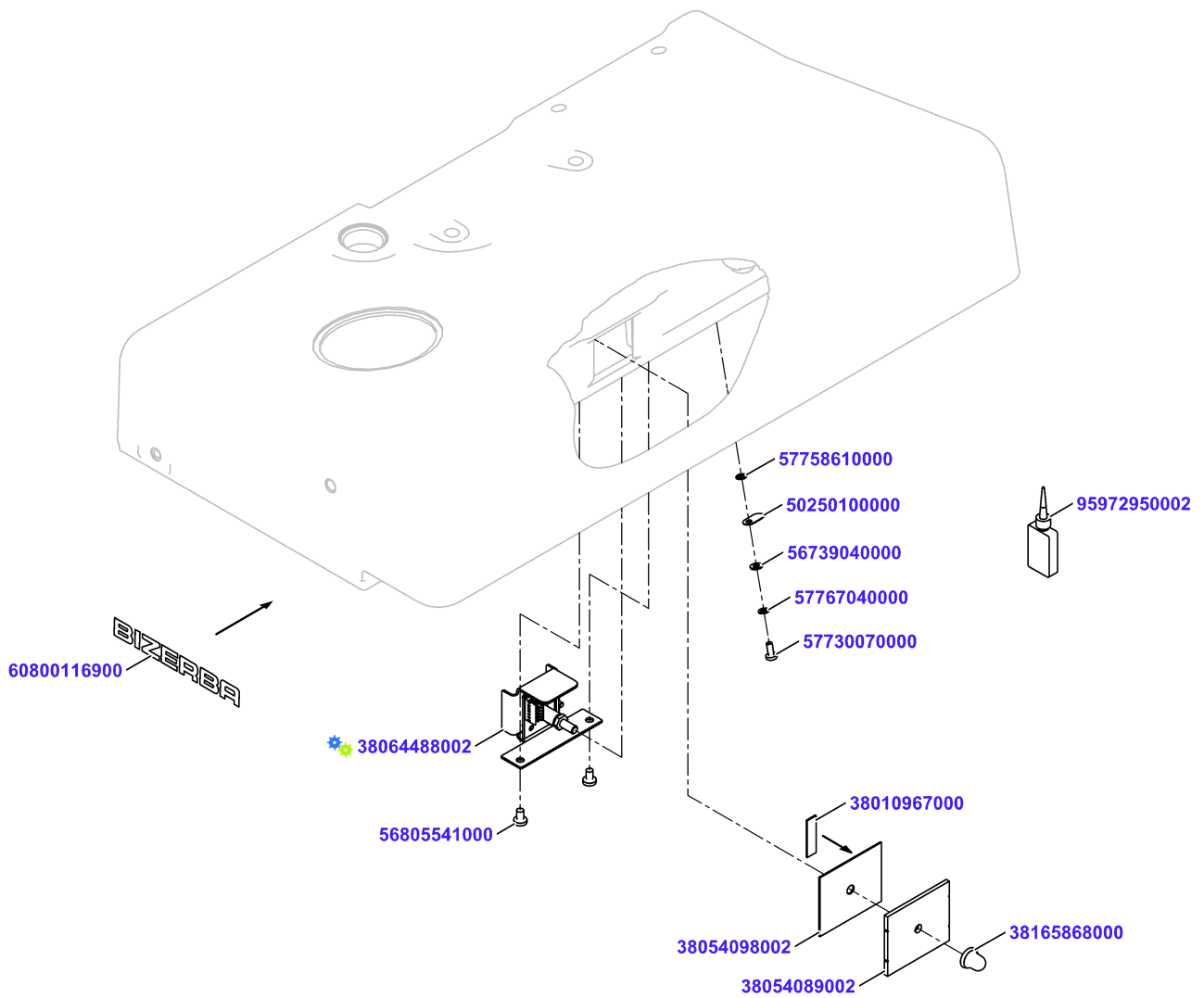
# Cover Drivehousing prem

Material No.	Qty	Material description
--------------	-----	----------------------

38060032001	1	Sealing
-------------	---	---------

available for order
Wear part
Recomm. sp. part
Metr. relevance

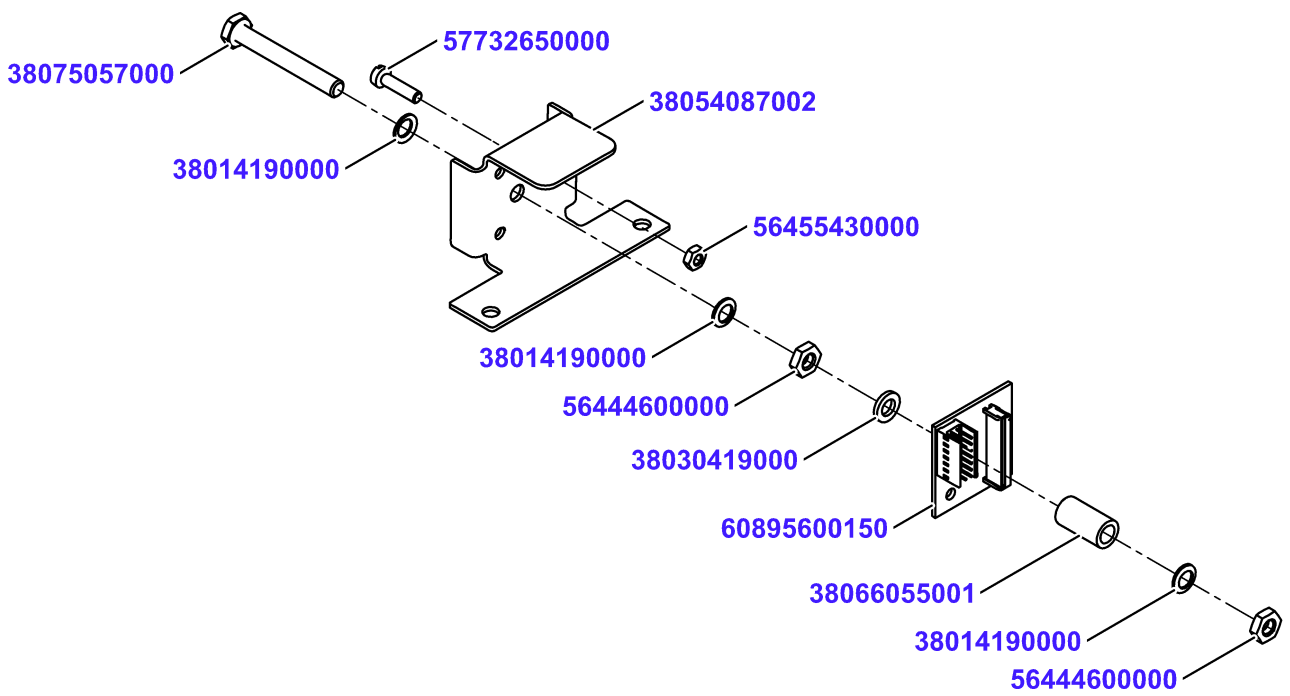
# Machine Housing cpl.



## Machine Housing cpl.

Material No.	Qty	Material description	available for order	Wear part	Recomm. sp. part	Metr. relevance
<a href="#">38064488002</a>	1	Connector ribbon cable				
<a href="#">56805541000</a>	2	Oval-head screw ISO14583 M5x8-A2-70-T25	✓			
<a href="#">38010967000</a>	1	Sealing	✓		✓	
<a href="#">38054098002</a>	1	Seal	✓		✓	
<a href="#">38054089002</a>	1	cover inside	✓			
<a href="#">38165868000</a>	1	Hygienic Cap Nut M6 with Precote 30-8	✓			
<a href="#">57758610000</a>	1	Toothed washer DIN6797-A 4,3-Fst	✓			
<a href="#">50250100000</a>	1	Grounding Plate 9x17/4.3 D	✓			
<a href="#">56739040000</a>	1	Washer DIN125-A 4.3-A2-70	✓			
<a href="#">57767040000</a>	1	Spring lock washer DIN128-A4-FSt	✓			
<a href="#">57730070000</a>	1	Oval-head screw ISO14583 M4x10-A2-70-T20	✓			
<a href="#">60800116900</a>	1	Bizerba character font	✓			

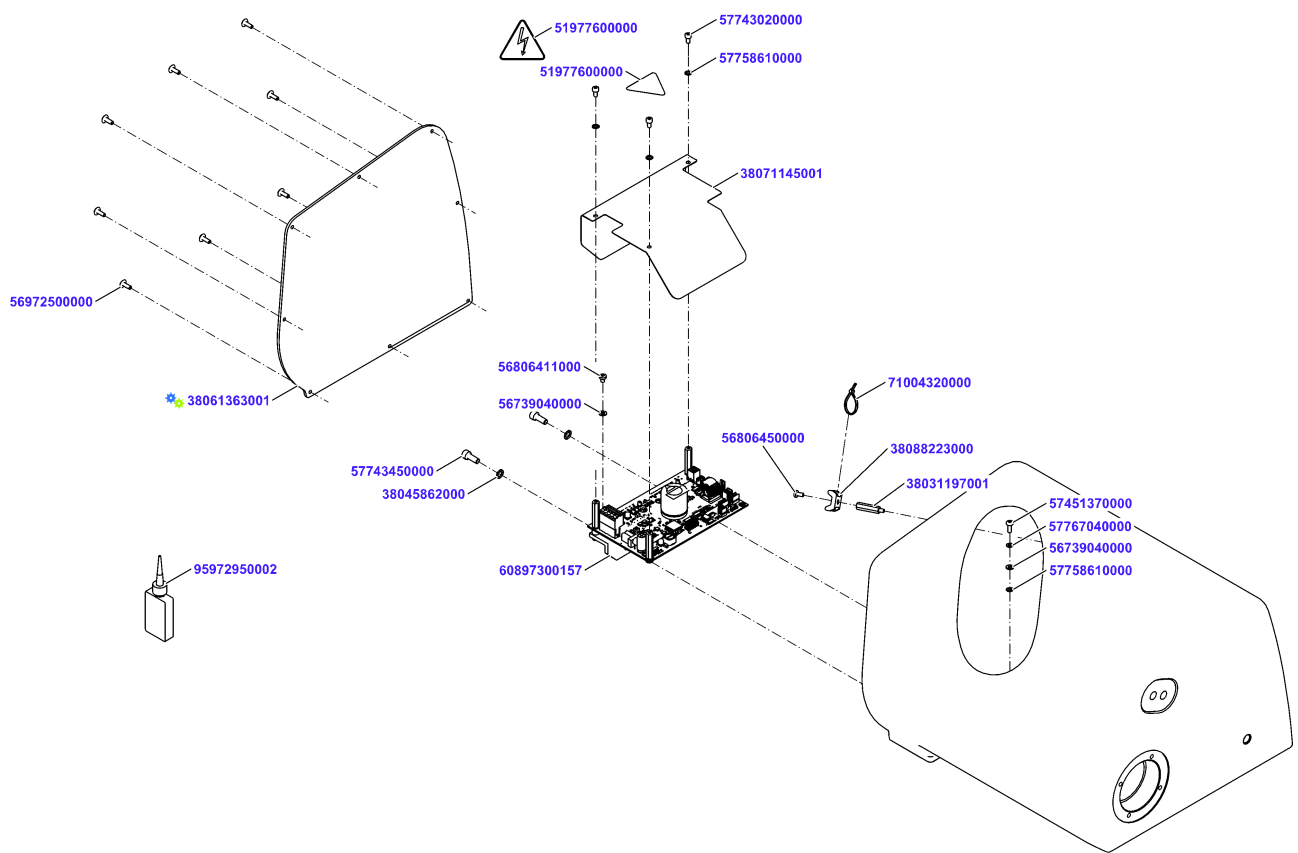
# Connector ribbon cable



## Connector ribbon cable

Material No.	Qty	Material description	available for order	Wear part	Recomm. sp. part	Metr. relevance
<a href="#">38054087002</a>	1	Mounting Bracket	✓			
<a href="#">38075057000</a>	1	Hexagon Screw DIN 933 M6x45-A2-70	✓			
<a href="#">38014190000</a>	2	Retaining washer S6-A2	✓			
<a href="#">56444600000</a>	1	Hexagon nut DIN439-M6-A2	✓			
<a href="#">38030419000</a>	1	thrust washer	✓			
<a href="#">60895600150</a>	1	PCBA Intermediate Board 2	✓			
<a href="#">38066055001</a>	1	tube	✓			
<a href="#">38014190000</a>	1	Retaining washer S6-A2	✓			
<a href="#">56444600000</a>	1	Hexagon nut DIN439-M6-A2	✓			
<a href="#">57732650000</a>	1	Cylinder screw DIN84 M4x16	✓			
<a href="#">56455430000</a>	1	Hexagon nut DIN934-M4-PA 66	✓			

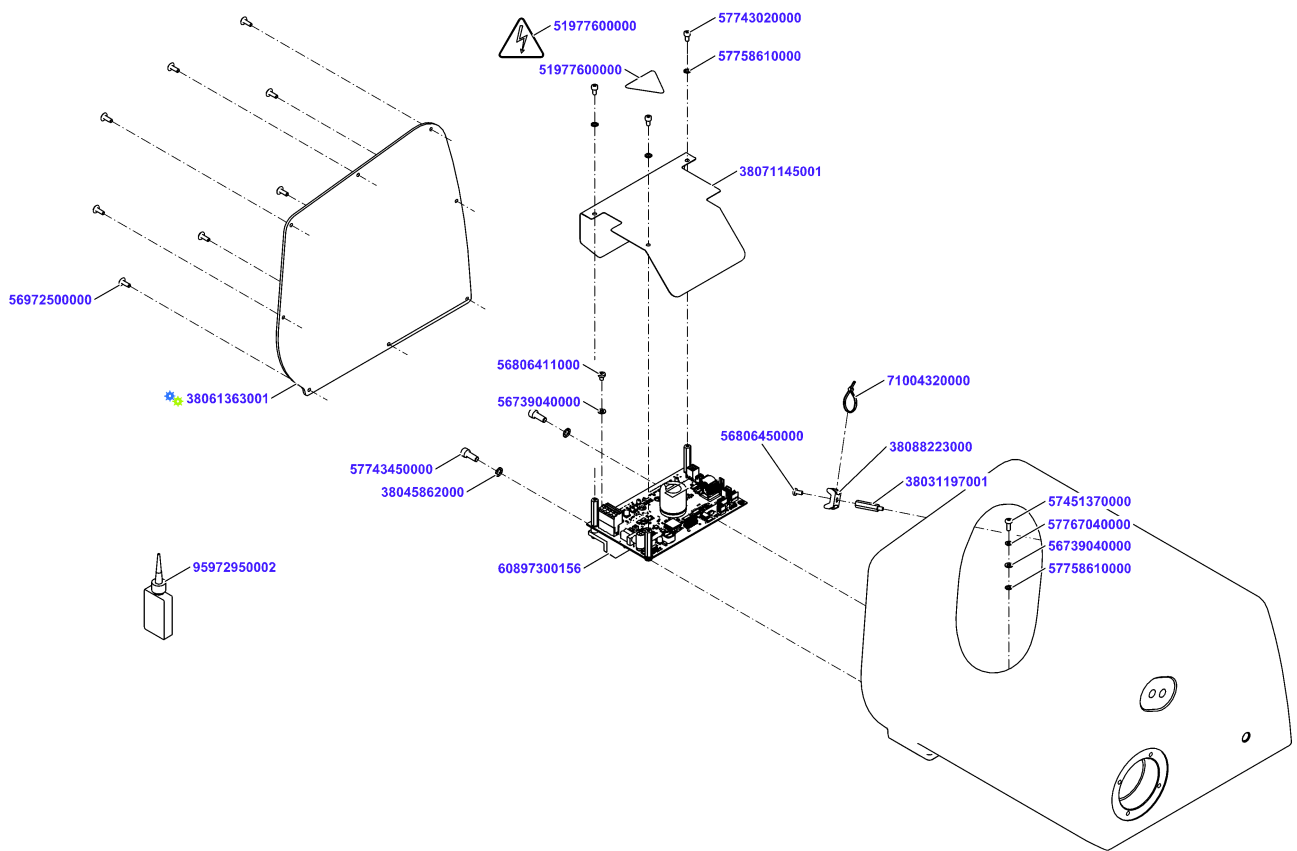
# Motor Tower Db cpl



# Motor Tower Db cpl

Material No.	Qty	Material description	available for order	Wear part	Recomm. sp. part	Metr. relevance
60897300157	1	PCBAP MC 3ph 2ch hv bus	✓			
57743450000	2	Cylinder screw DIN912 M6x16-A2-70	✓			
38045862000	2	Toothed washer DIN6797-A 6,4-A2	✓			
56806450000	1	Oval-head screw ISO14583 M4x8-A2-70-T20	✓			
56739040000	1	Washer DIN125-A 4.3-A2-70	✓			
38071145001	1	Protection Plate	✓			
57743020000	3	Cylinder screw DIN912 M4x8-A2-70	✓			
57758610000	3	Toothed washer DIN6797-A 4,3-Fst	✓			
51977600000	1	Warning plate with danger arrow 50	✓			
38031197001	1	Thread Bolt M4	✓			
38088223000	1	Fastening Socket 9mm	✓			
56806450000	1	Oval-head screw ISO14583 M4x8-A2-70-T20	✓			
95972950002	0,001	Loctite 243 50 ml	✓			
71004320000	1	Cable Tie T40R	✓			
38061363001	1	Cover Motor Tower prem	✓			
56972500000	8	Mushroom head screw M4x12-A2-70	✓			
56739040000	1	Washer DIN125-A 4.3-A2-70	✓			
57451370000	1	Oval-head screw ISO14583 M4x12-A2-70-T20	✓			
57767040000	1	Spring lock washer DIN128-A4-FSt	✓			
57758610000	1	Toothed washer DIN6797-A 4,3-Fst	✓			

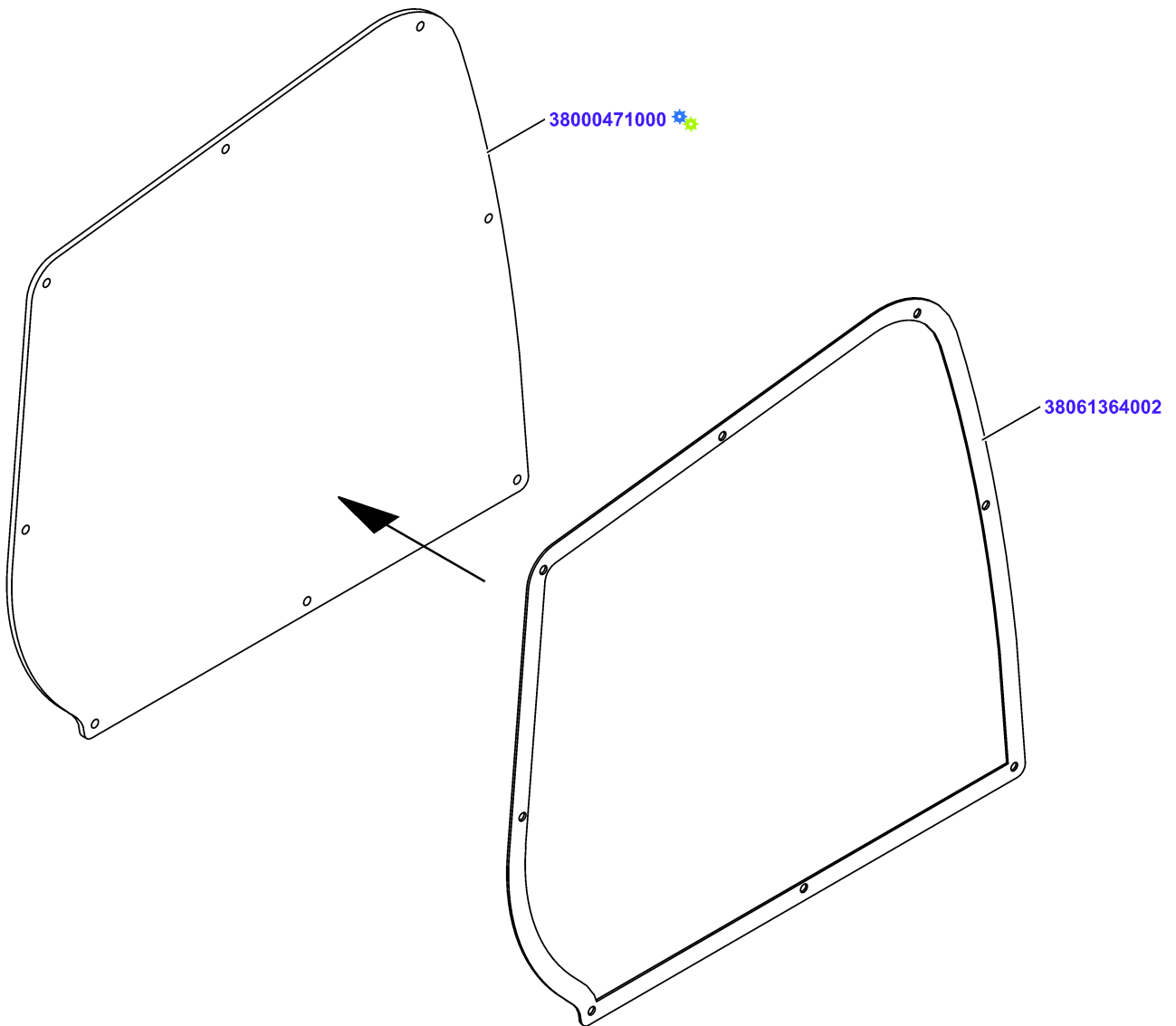
# Motor Tower Db cpl



# Motor Tower Db cpl



Material No.	Qty	Material description	available for order	Wear part	Recomm. sp. part	Metr. relevance
<a href="#">57743450000</a>	2	Cylinder screw DIN912 M6x16-A2-70				
<a href="#">38045862000</a>	2	Toothed washer DIN6797-A 6,4-A2				
<a href="#">56806450000</a>	1	Oval-head screw ISO14583 M4x8-A2-70-T20				
<a href="#">56739040000</a>	1	Washer DIN125-A 4.3-A2-70				
<a href="#">38071145001</a>	1	Protection Plate				
<a href="#">57743020000</a>	3	Cylinder screw DIN912 M4x8-A2-70				
<a href="#">57758610000</a>	3	Toothed washer DIN6797-A 4,3-Fst				
<a href="#">51977600000</a>	1	Warning plate with danger arrow 50				
<a href="#">38031197001</a>	1	Thread Bolt M4				
<a href="#">38088223000</a>	1	Fastening Socket 9mm				
<a href="#">56806450000</a>	1	Oval-head screw ISO14583 M4x8-A2-70-T20				
<a href="#">95972950002</a>	0,001	Loctite 243 50 ml				
<a href="#">71004320000</a>	1	Cable Tie T40R				
<a href="#">38061363001</a>	1	Cover Motor Tower prem				
<a href="#">56972500000</a>	8	Mushroom head screw M4x12-A2-70				
<a href="#">56739040000</a>	1	Washer DIN125-A 4.3-A2-70				
<a href="#">57451370000</a>	1	Oval-head screw ISO14583 M4x12-A2-70-T20				
<a href="#">57767040000</a>	1	Spring lock washer DIN128-A4-FSt				
<a href="#">57758610000</a>	1	Toothed washer DIN6797-A 4,3-Fst				

# Cover Motor Tower prem

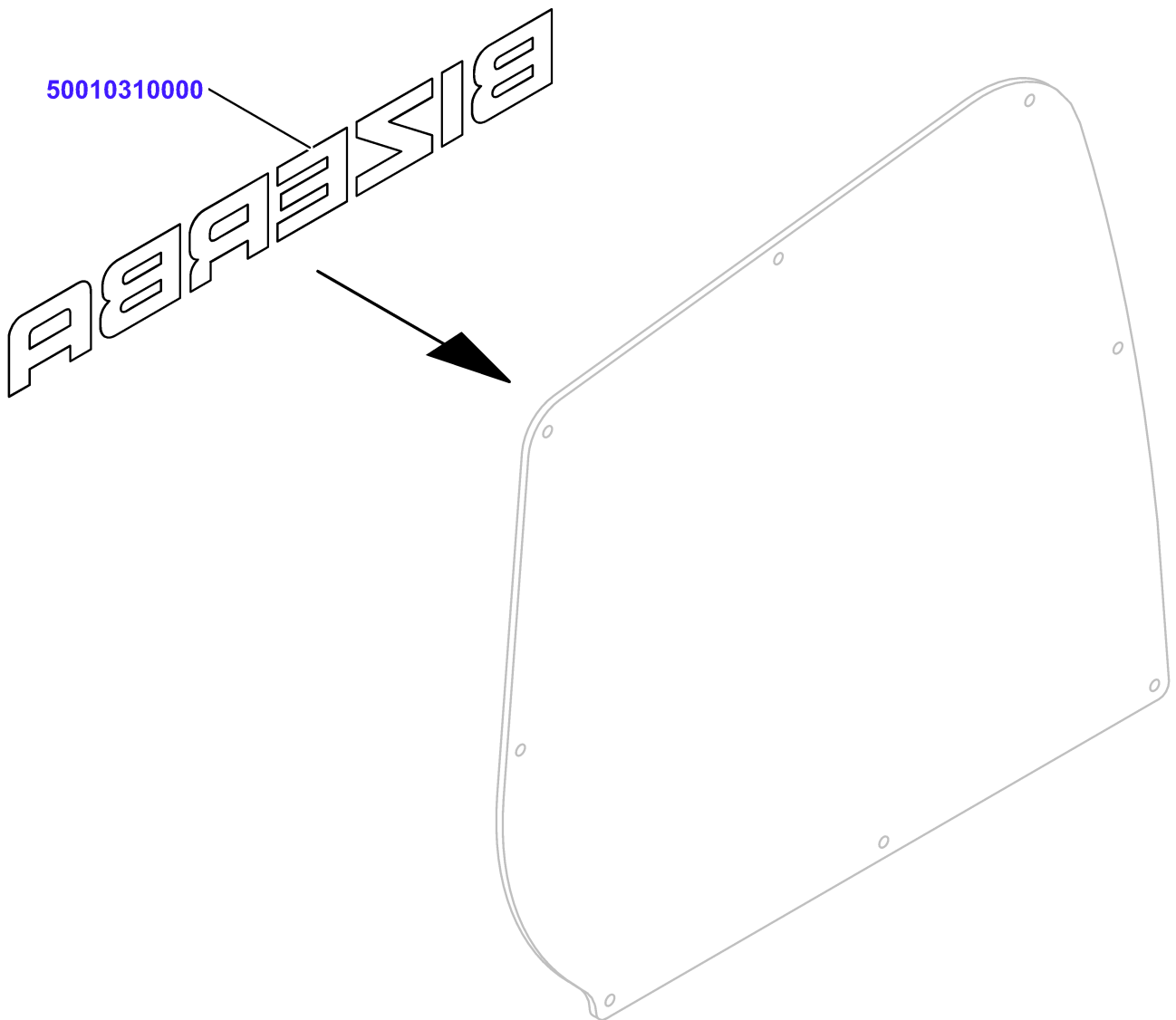


# Cover Motor Tower prem

Material No.	Qty	Material description
<a href="#">38061364002</a>	1	Sealing
<a href="#">38000471000</a>	1	Cover Motor Tower

available for order	Wear part	Recomm. sp. part	Metr. relevance
			

# Cover Motor Tower



# Cover Motor Tower

Material No.	Qty	Material description
<a href="#">50010310000</a>	1	Bizerba Lettering L255 H30

available for order

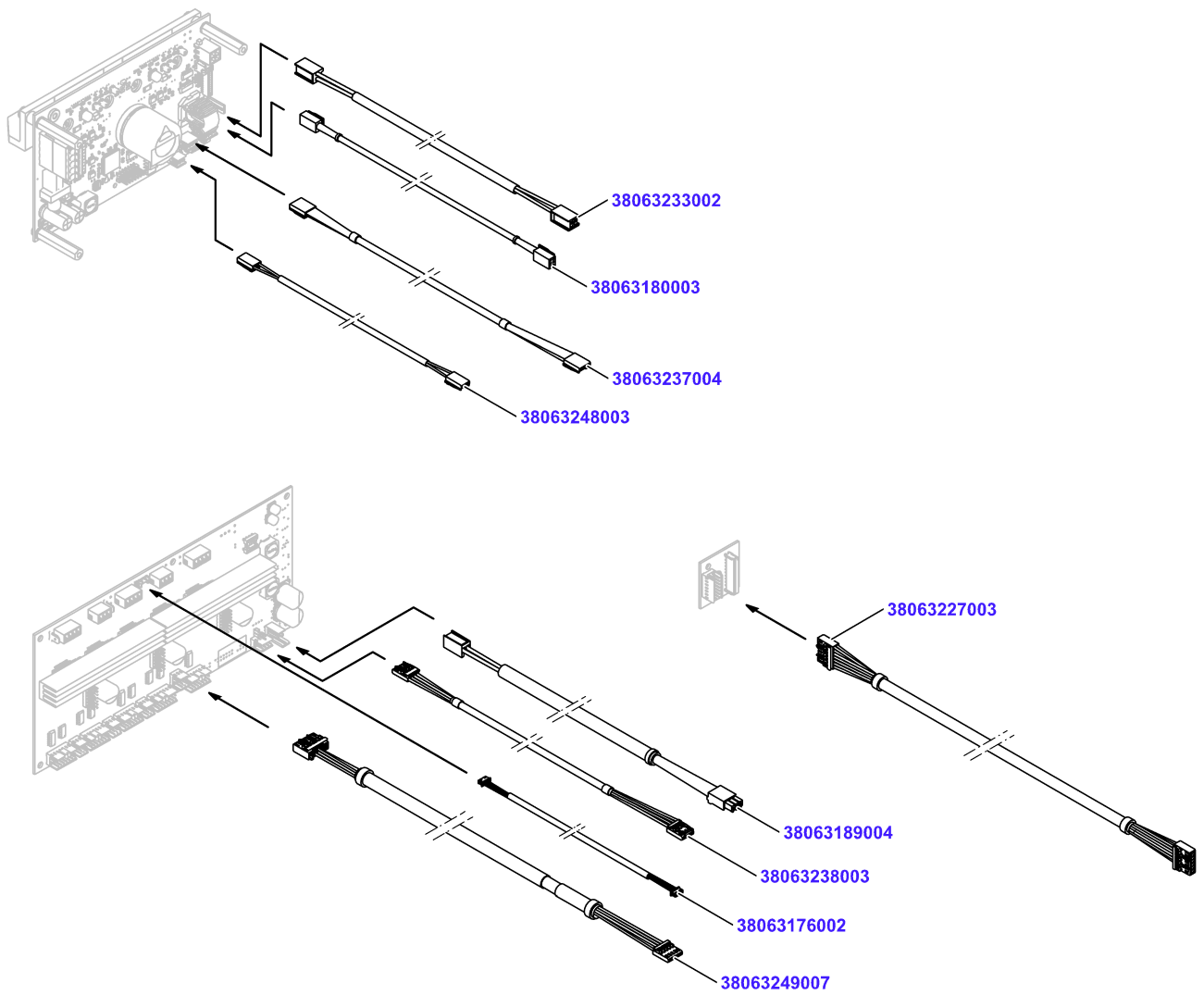
Wear part

Recomm. sp. part










Metr. relevance



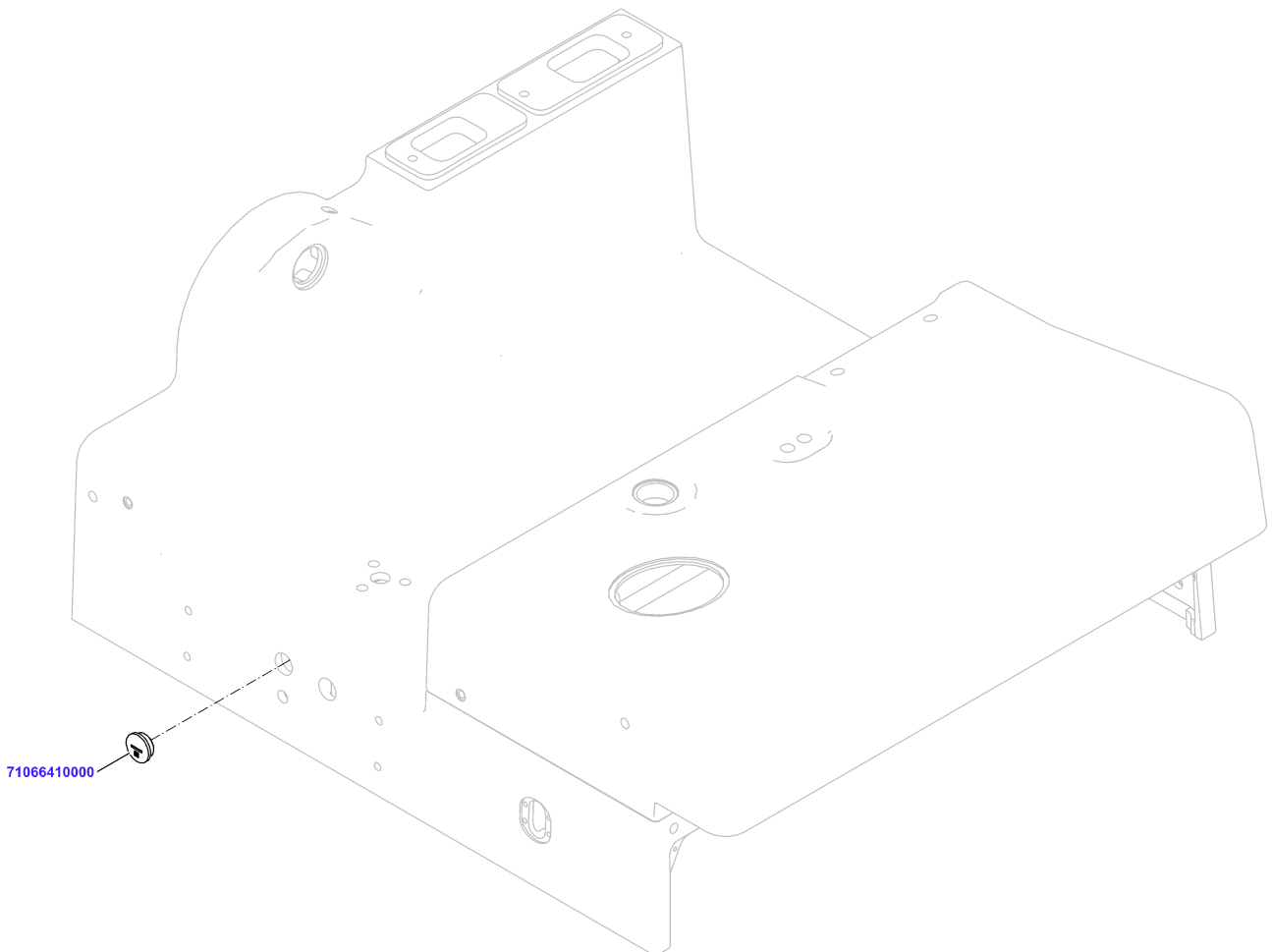
# Cable set standard



## Cable set standard


Material No.	Qty	Material description	available for order	Wear part	Recomm. sp. part	Metr. relevance
<a href="#">38063180003</a>	1	Ka Rd 4x0,14 1,05m				
<a href="#">38063248003</a>	1	Ka Rd 2x0,34 1,05m				
<a href="#">38063237004</a>	1	Ka Rd 2x2x24AWG 0,87m				
<a href="#">38063233002</a>	1	Ka Rd 2x0,75 0,77m				
<a href="#">38063238003</a>	1	Ka Rd 2x2x24AWG 0,29m				
<a href="#">38063176002</a>	1	Ka Rd 4x0,14 0,66m				
<a href="#">38063189004</a>	1	Ca Rd 2x0,75 0,29m				
<a href="#">38063249007</a>	1	Ka Rd 2x2xAWG26 0,38m				
<a href="#">38063227003</a>	1	Ka Rd 8x2x0,14 0,50m				

## Screw Plug Motor cpl

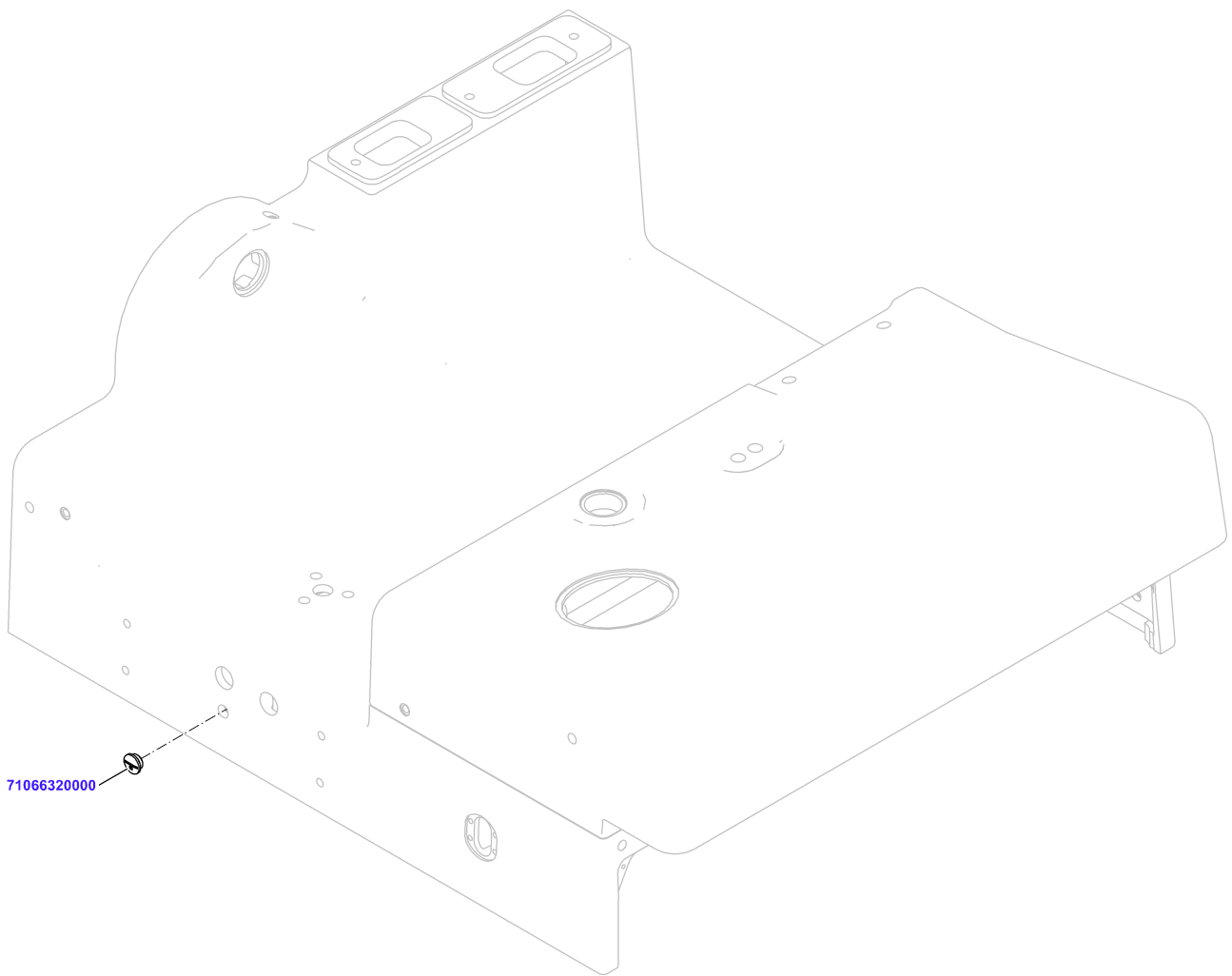


# Screw Plug Motor cpl

Material No.	Qty	Material description
<a href="#">71066410000</a>	1	Plug Round M20x1.5


	available for order	Wear part	Recomm. sp. part	Metr. relevance
---	---------------------	-----------	------------------	-----------------

## Screw Plug Light Barrier cpl

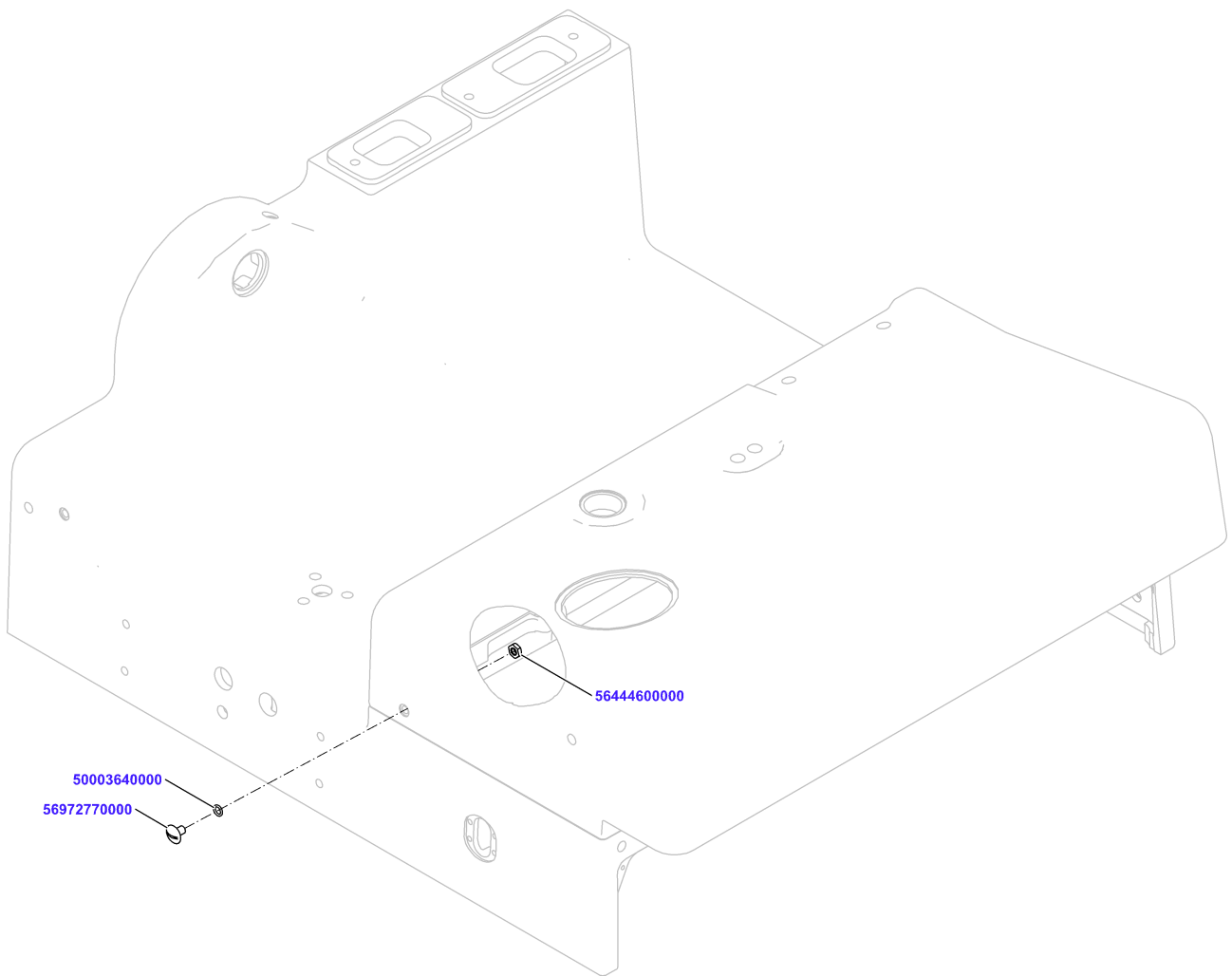


# Screw Plug Light Barrier cpl




Material No.	Qty	Material description
<a href="#">71066320000</a>	1	Plug round M12x1,5

	available for order	Wear part	Recomm. sp. part	Metr. relevance
---	---------------------	-----------	------------------	-----------------

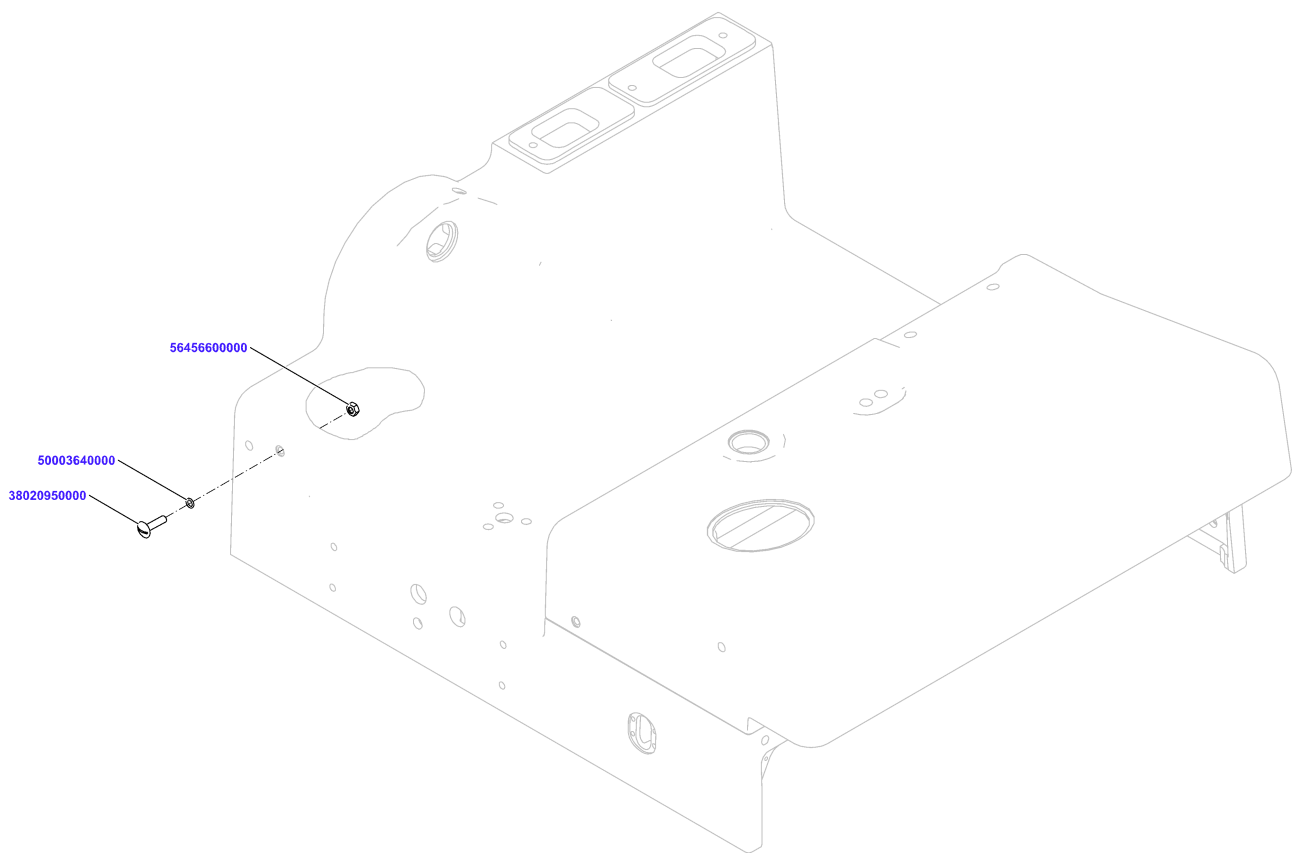
# Screw Plug Machine Housing cpl






# Screw Plug Machine Housing cpl

Material No.	Qty	Material description	available for order	Wear part	Recomm. sp. part	Metr. relevance
<a href="#">56972770000</a>	1	Mushroom head screw M6x10-A2-70				
<a href="#">56444600000</a>	1	Hexagon nut DIN439-M6-A2				
<a href="#">50003640000</a>	1	O-ring DIN3771 6x1,5 NBR				

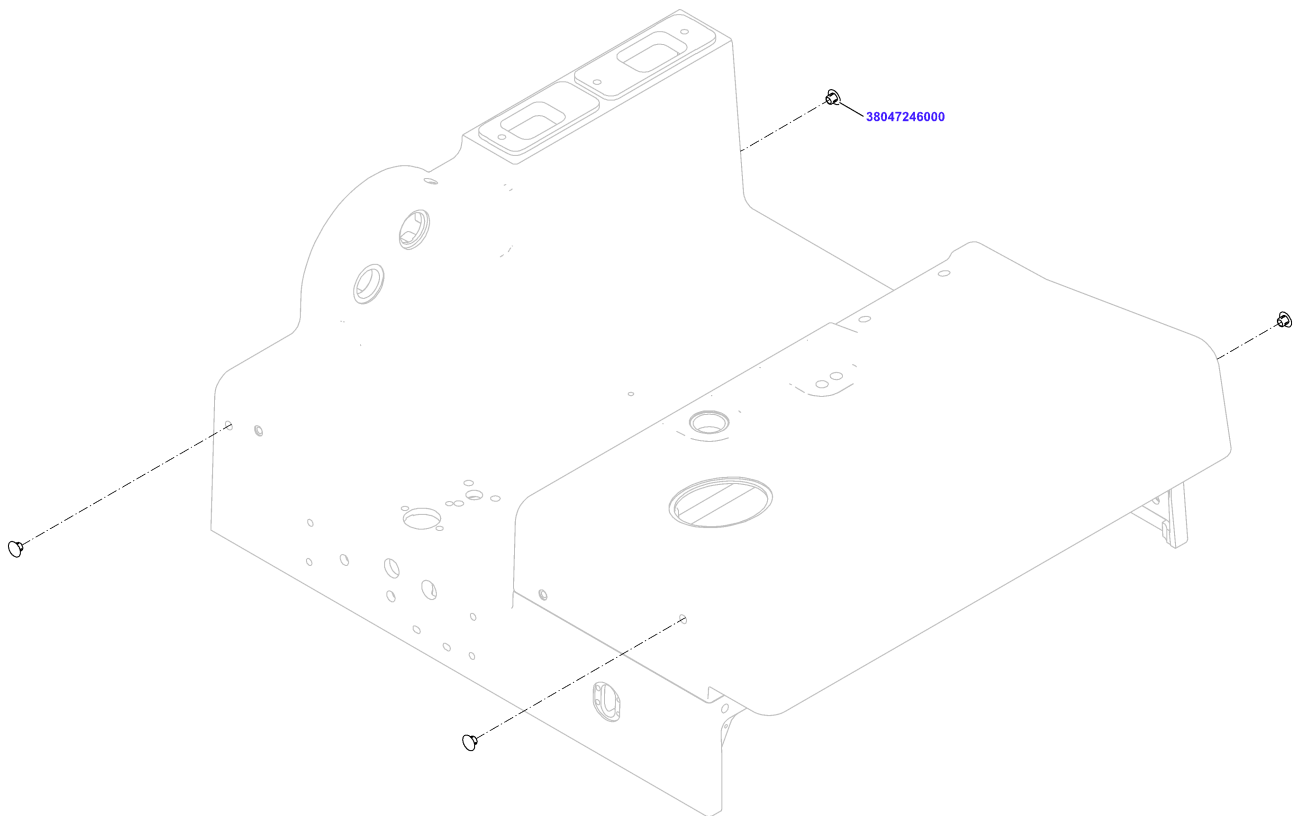
## Screw Plug Drive Housing cpl



## Screw Plug Drive Housing cpl

Material No.	Qty	Material description	available for order	Wear part	Recomm. sp. part	Metr. relevance
<a href="#">38020950000</a>	1	Mushroom head screw M6x25-A2-70				
<a href="#">56456600000</a>	1	Hexagon nut DIN934-M6-A2				
<a href="#">50003640000</a>	1	O-ring DIN3771 6x1,5 NBR				

## Covering Cap Set Carry Handles



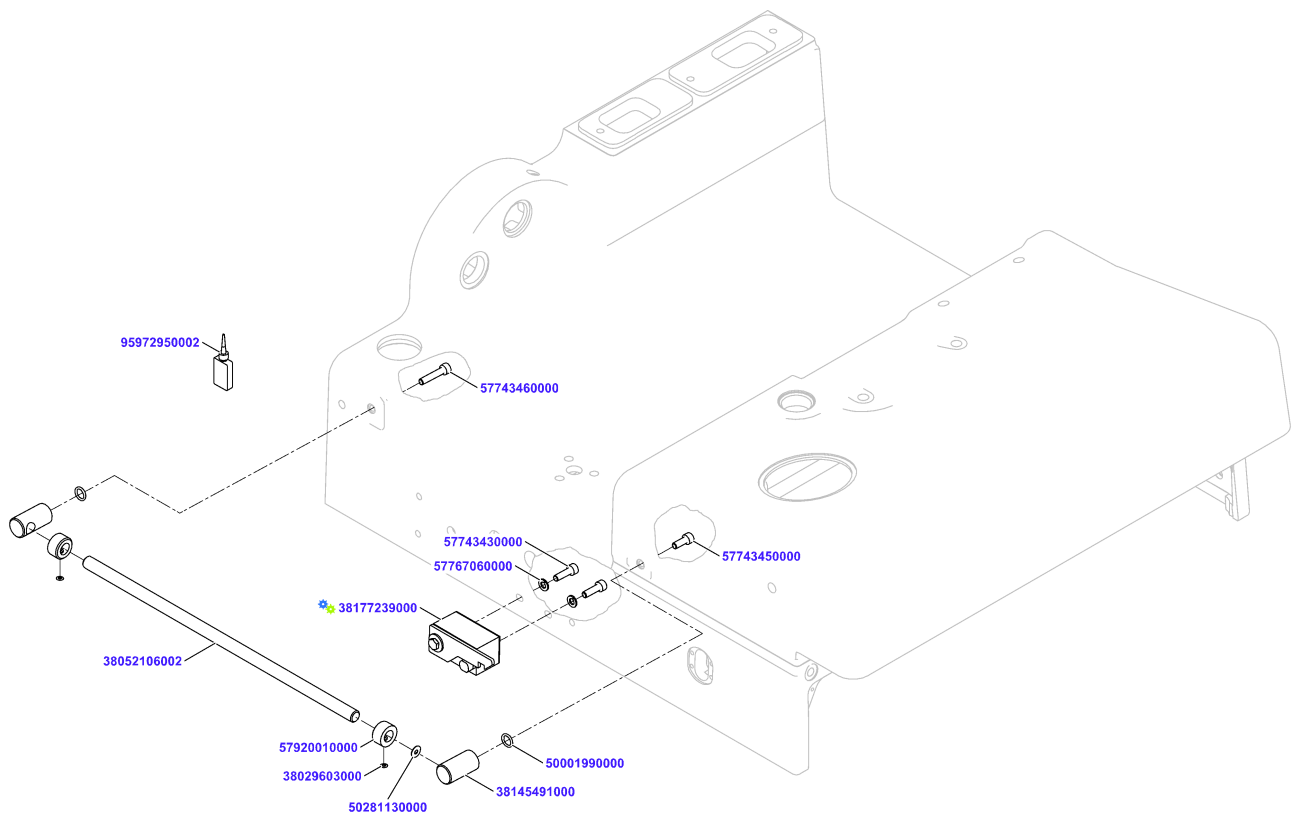
# Covering Cap Set Carry Handles

Material No.	Qty	Material description
<a href="#">38047246000</a>	8	Protective plug 15x8x6,9-PE

available for order
Wear part
Recomm. sp. part
Metr. relevance



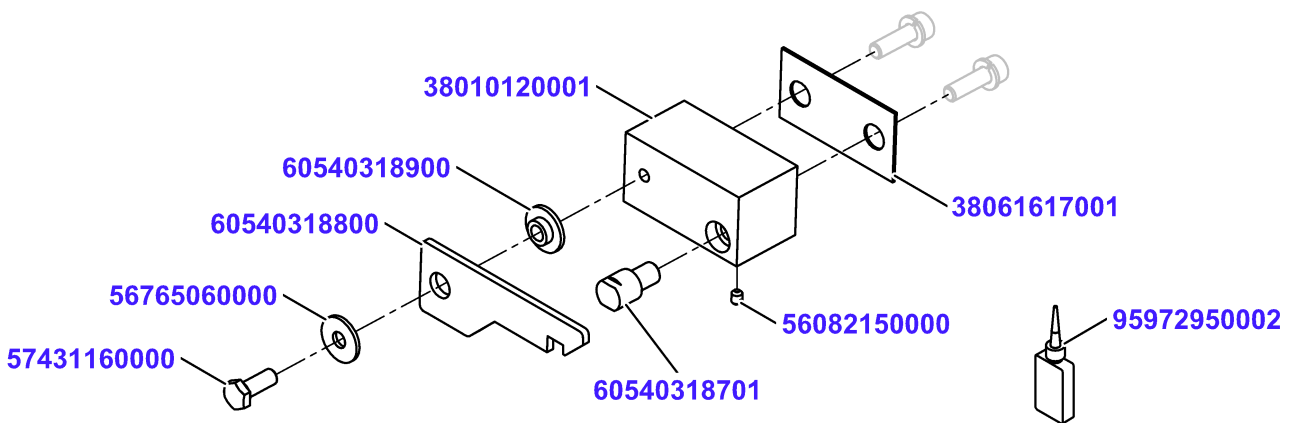
# Fixing Axis cpl.



## Fixing Axis cpl.

Material No.	Qty	Material description	available for order	Wear part	Recomm. sp. part	Metr. relevance
<a href="#">38145491000</a>	2	Shaft Bearing	✓			
<a href="#">50001990000</a>	2	O-ring DIN3771 10x2 NBR	✓			
<a href="#">38052106002</a>	1	Shaft	✓			
<a href="#">50281130000</a>	1	Disc spring 12x4,2x0,5	✓			
<a href="#">57920010000</a>	2	Adjusting Ring DIN 705-A12-A1/M6x6 A2-70	✓			
<a href="#">38029603000</a>	2	Protective plug 7x3,2x1,3-PE	✓		✓	
<a href="#">57743460000</a>	1	Cylinder screw DIN912 M6x30-A2-70	✓			
<a href="#">57743450000</a>	1	Cylinder screw DIN912 M6x16-A2-70	✓			
<a href="#">38177239000</a>	1	Counterbearing preassy.	✓			
<a href="#">57743430000</a>	2	Cylinder screw DIN 912-M6x20-A2-70	✓			
<a href="#">57767060000</a>	2	Spring lock washer DIN128-A6-FSt	✓			

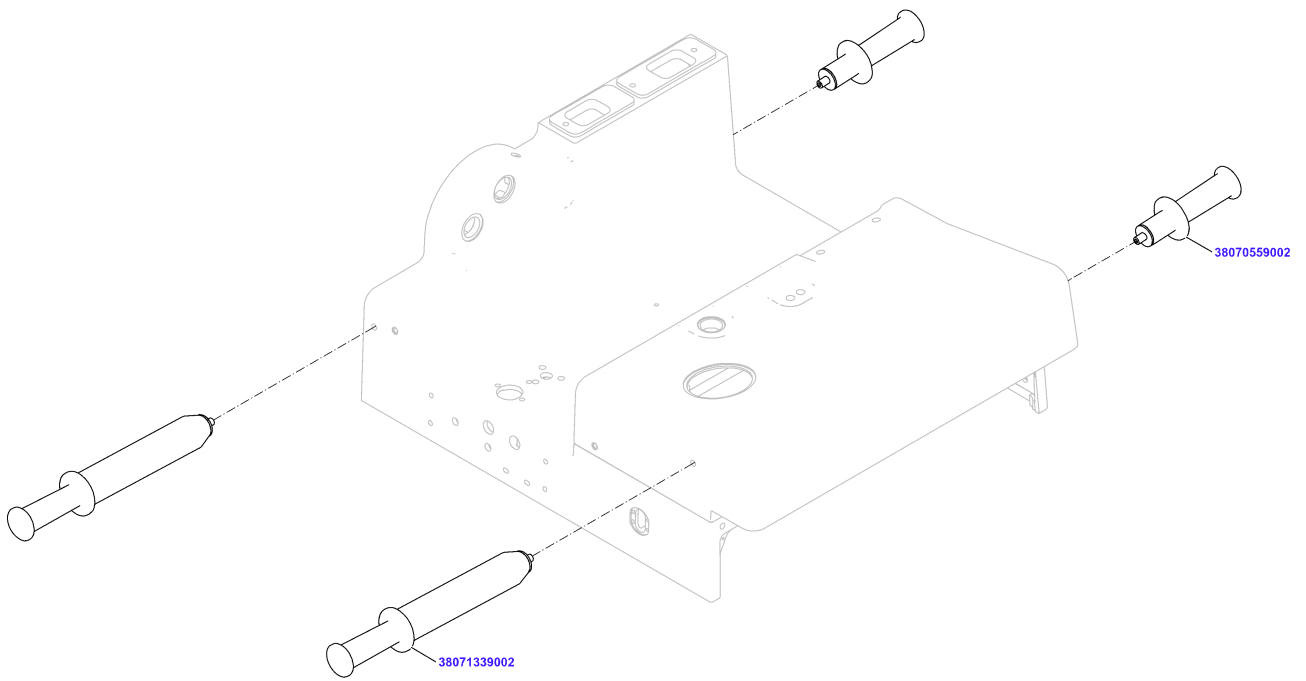
# Counterbearing preassy.



## Counterbearing preassy.





Material No.	Qty	Material description	available for order	Wear part	Recomm. sp. part	Metr. relevance
<a href="#">38010120001</a>	1	Counterbearing	✓			
<a href="#">38061617001</a>	1	Sealing	✓		✓	
<a href="#">60540318701</a>	1	stop pin	✓			
<a href="#">56082150000</a>	1	Set screw DIN438 M4x5-A2-70	✓			
<a href="#">60540318800</a>	1	catch	✓			
<a href="#">60540318900</a>	1	bushing	✓			
<a href="#">56765060000</a>	1	Washer DIN9021-6-A2	✓			
<a href="#">57431160000</a>	1	Hexagon screw DIN933 M6x16 A2-70	✓			
<a href="#">95972950002</a>	0,001	Loctite 243 50 ml	✓			

# Carry Handles Set VSI

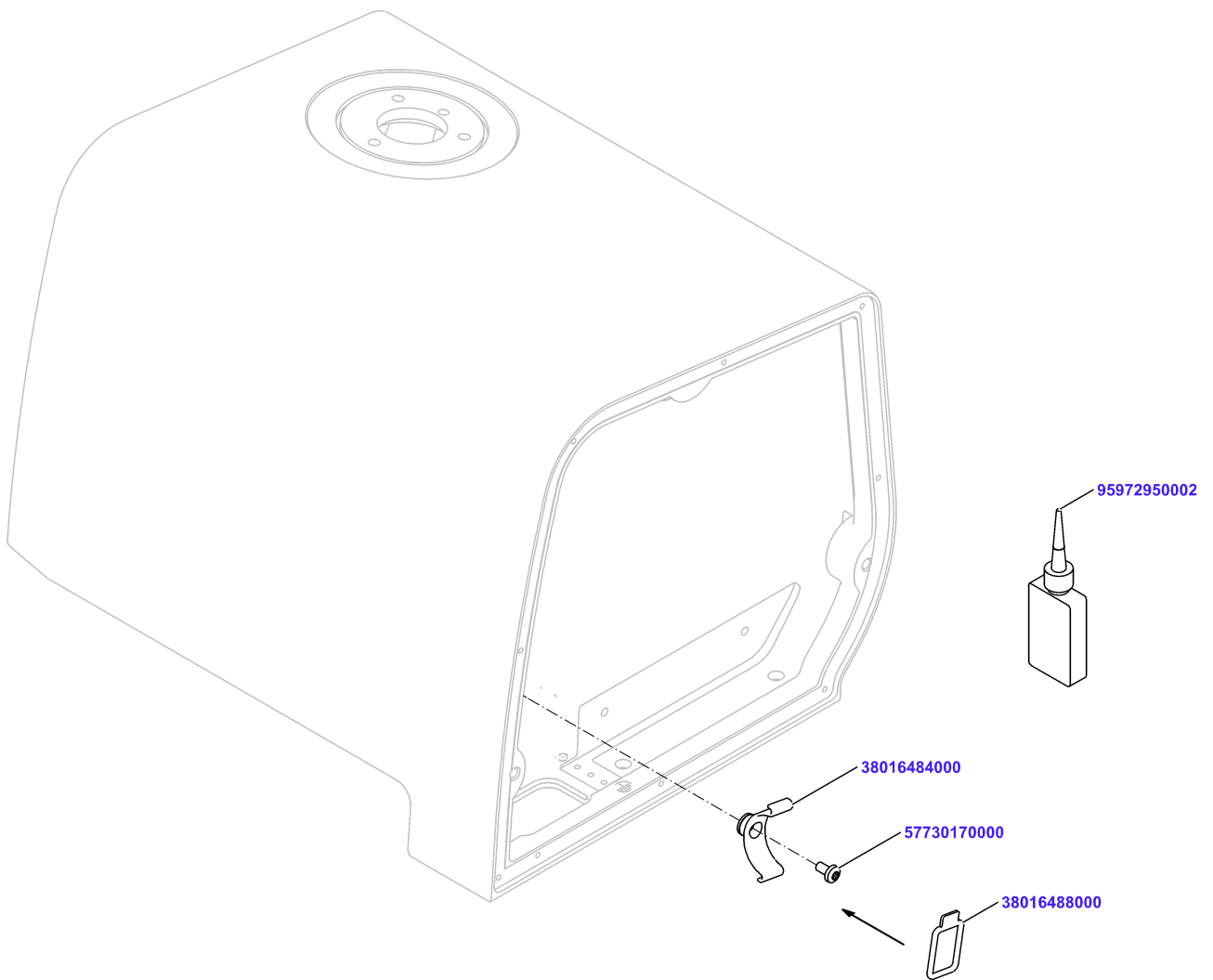


# Carry Handles Set VSI





Material No.	Qty	Material description
<a href="#">38070559002</a>	2	Handle preass
<a href="#">38071339002</a>	2	Handle long preass

available for order	Wear part	Recomm. sp. part	Metr. relevance
			
			

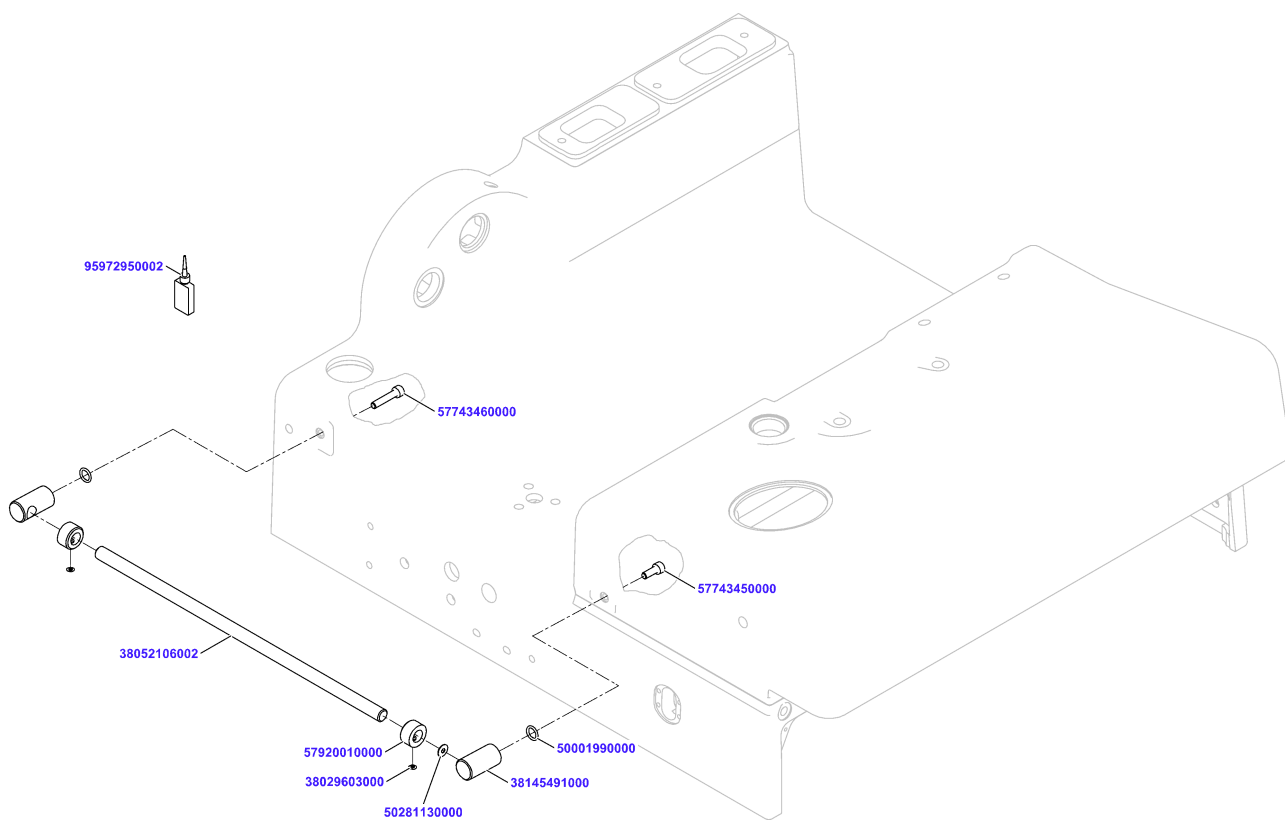
# Cable Fixing cpl.



## Cable Fixing cpl.

Material No.	Qty	Material description	available for order	Wear part	Recomm. sp. part	Metr. relevance
<a href="#">38016484000</a>	1	Cradle Clip C3				
<a href="#">57730170000</a>	1	Oval-head screw ISO14583 M5x10-A2-70-T25				
<a href="#">95972950002</a>	0,001	Loctite 243 50 ml				
<a href="#">38016488000</a>	1	Retaining Ring R3				

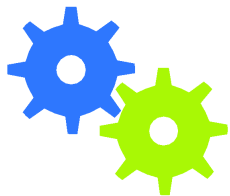
# Fixing axis scale cpl.



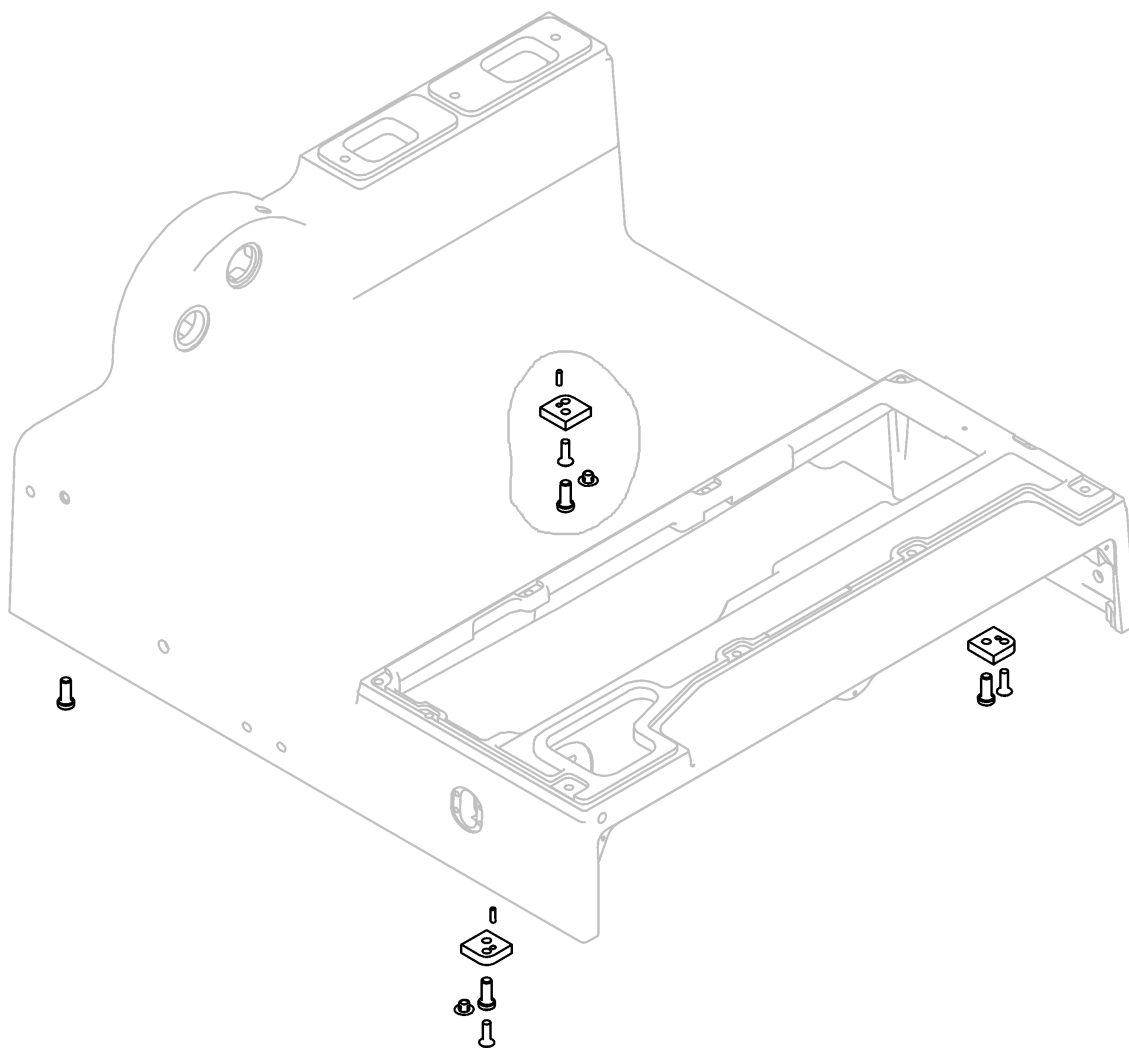
## Fixing axis scale cpl.

Material No.	Qty	Material description	available for order	Wear part	Recomm. sp. part	Metr. relevance
<a href="#">38145491000</a>	2	Shaft Bearing	✓			
<a href="#">50001990000</a>	2	O-ring DIN3771 10x2 NBR	✓			
<a href="#">38052106002</a>	1	Shaft	✓			
<a href="#">50281130000</a>	1	Disc spring 12x4,2x0,5	✓			
<a href="#">57920010000</a>	2	Adjusting Ring DIN 705-A12-A1/M6x6 A2-70	✓			
<a href="#">38029603000</a>	2	Protective plug 7x3,2x1,3-PE	✓		✓	
<a href="#">57743460000</a>	1	Cylinder screw DIN912 M6x30-A2-70	✓			
<a href="#">57743450000</a>	1	Cylinder screw DIN912 M6x16-A2-70	✓			

# Installations



# 38144362000



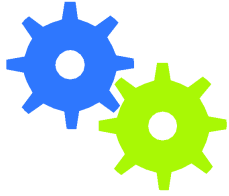
# Installations

**Material No.**    **Qty**    **Material description**

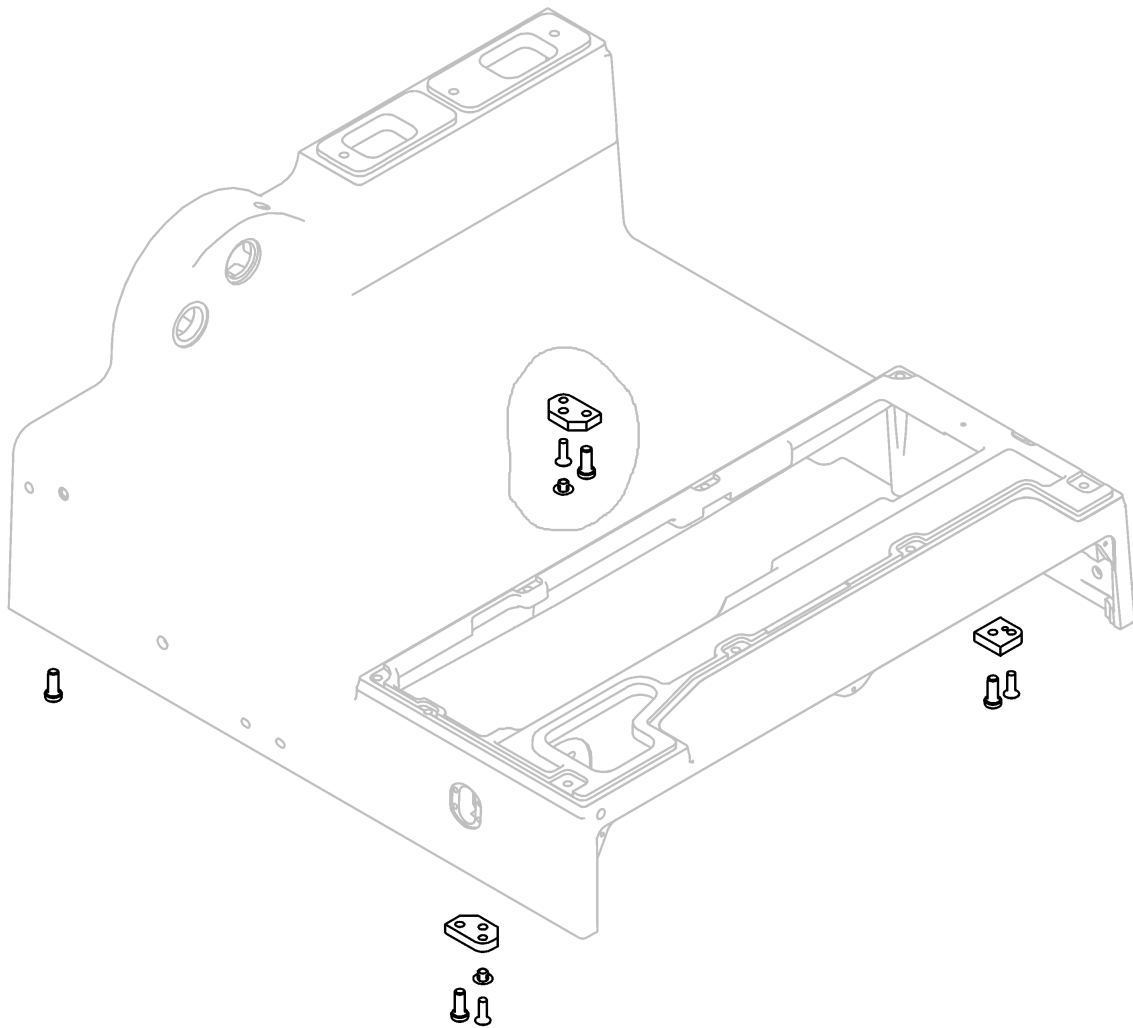
[38144362000](#)    1    Plate Kit T

available for order
Wear part
Recomm. sp. part
Metr. relevance

# Installations



# 38144363000



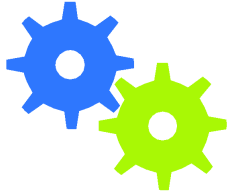
# Installations

**Material No.**    **Qty**    **Material description**

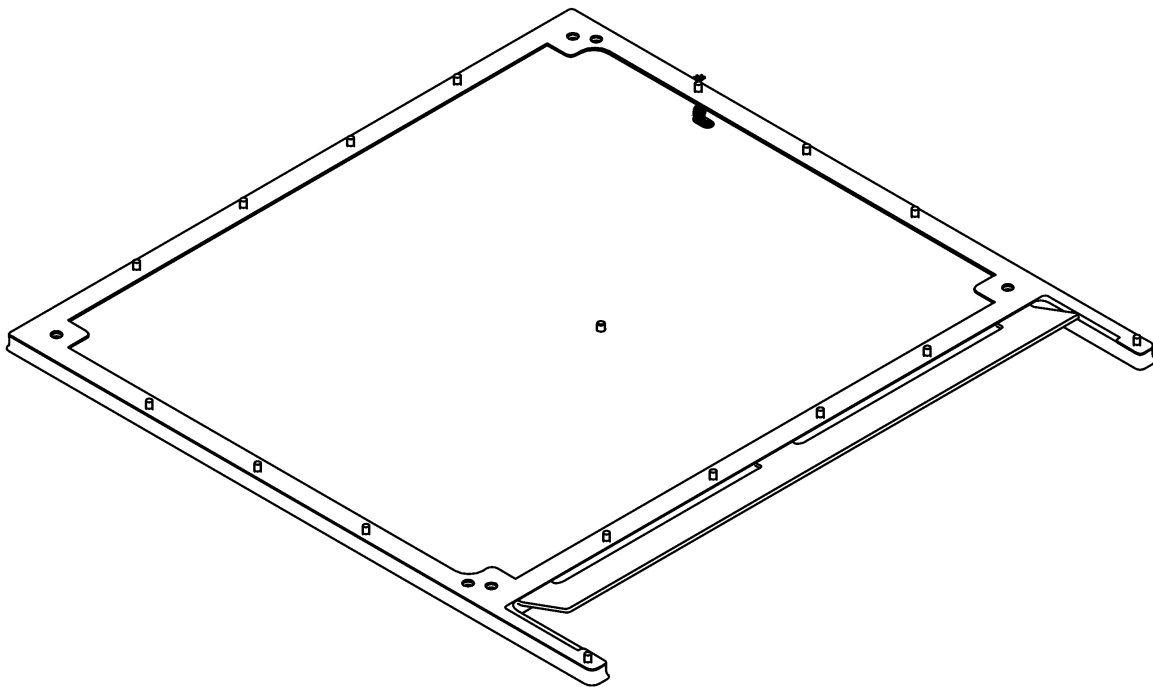
[38144363000](#)    1    Plate Kit T light

available for order
Wear part
Recomm. sp. part
Metr. relevance

# Installations



**38144367000**



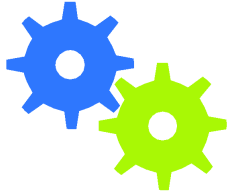
# Installations

**Material No.**    **Qty**    **Material description**

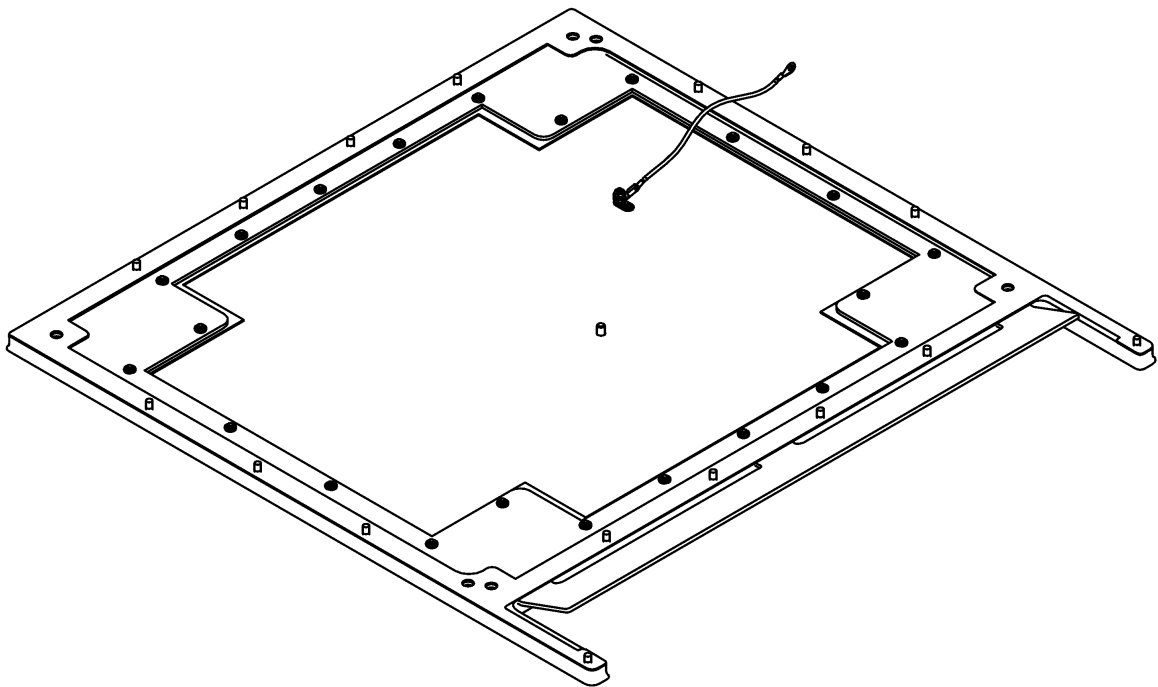
[38144367000](#)    1    Set up VSI cpl.

available for order
Wear part
Recomm. sp. part
Metr. relevance

# Installations



**38144368000**



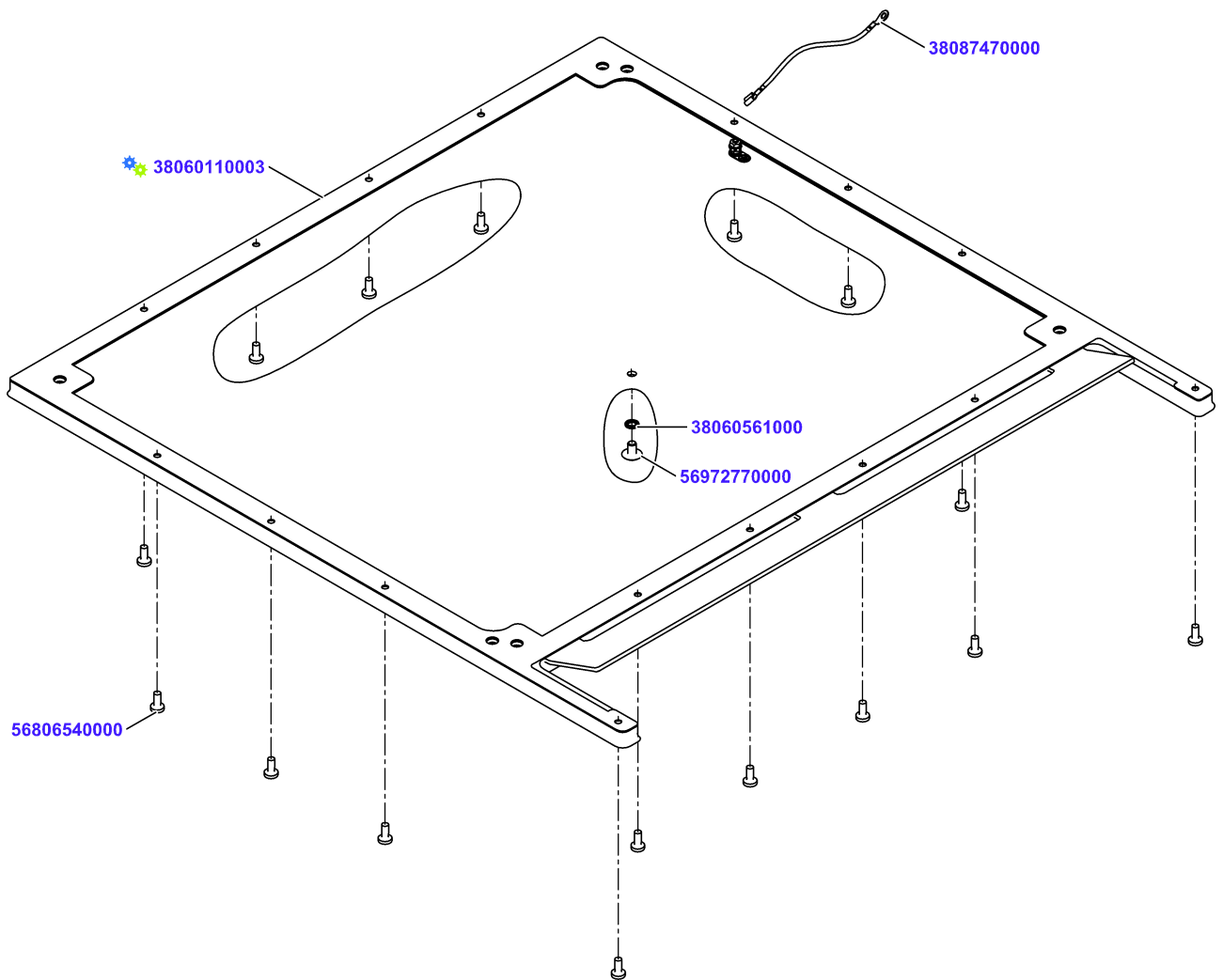
# Installations

**Material No.**    **Qty**    **Material description**

[38144368000](#)    1    Setup VSI w. Service Cover cpl

available for order
Wear part
Recomm. sp. part
Metr. relevance

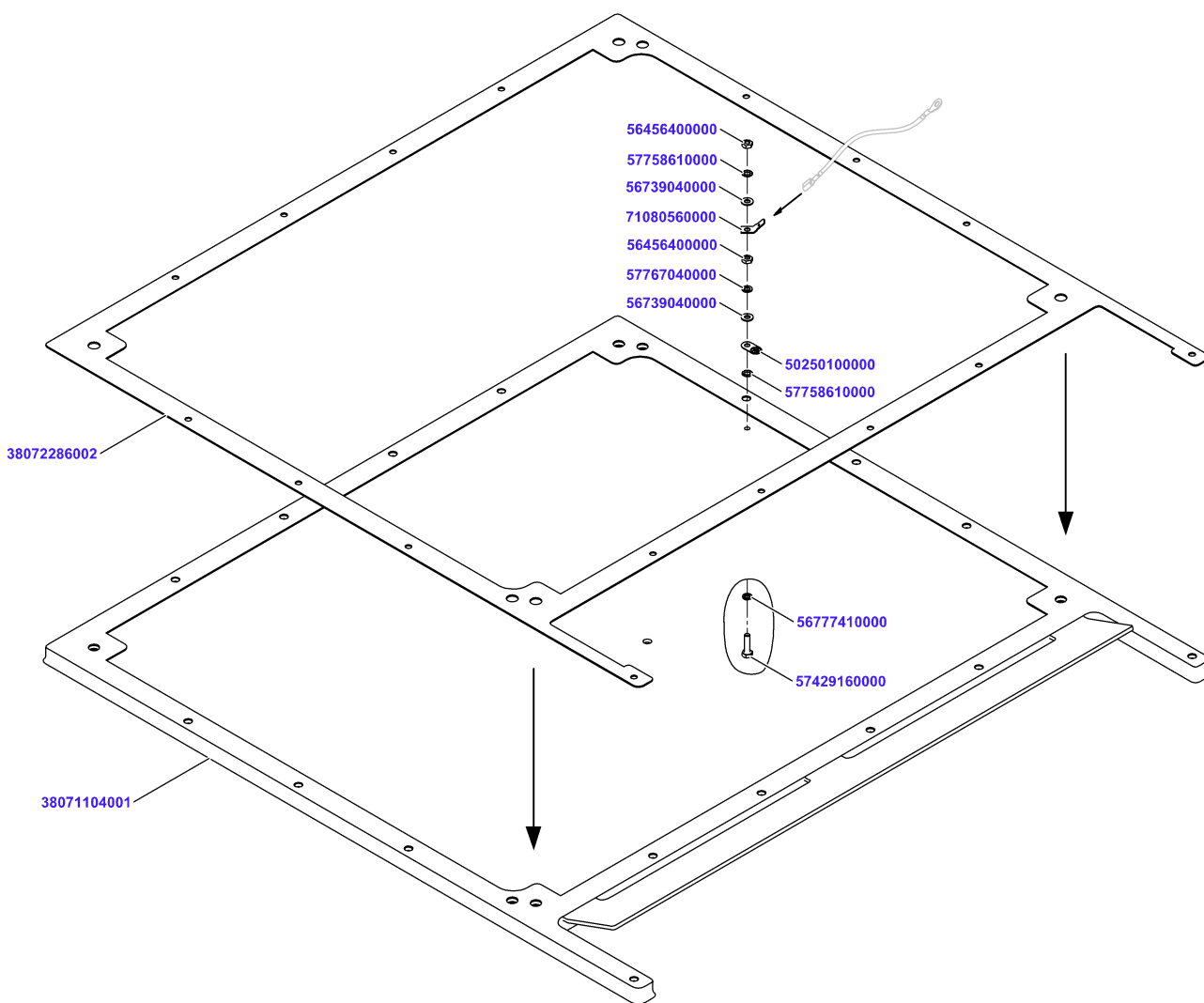
# Set up VSI cpl.



## Set up VSI cpl.

Material No.	Qty	Material description	available for order	Wear part	Recomm. sp. part	Metr. relevance
<a href="#">38060110003</a>	1	Setup preass.				
<a href="#">38087470000</a>	1	Ka Li GN/YE AWG18 0,5m	✓			
<a href="#">56806540000</a>	16	Oval-head screw DIN7985 M5x12-A2-70	✓			
<a href="#">56972770000</a>	1	Mushroom head screw M6x10-A2-70	✓			
<a href="#">38060561000</a>	1	Screw seal M6	✓		✓	

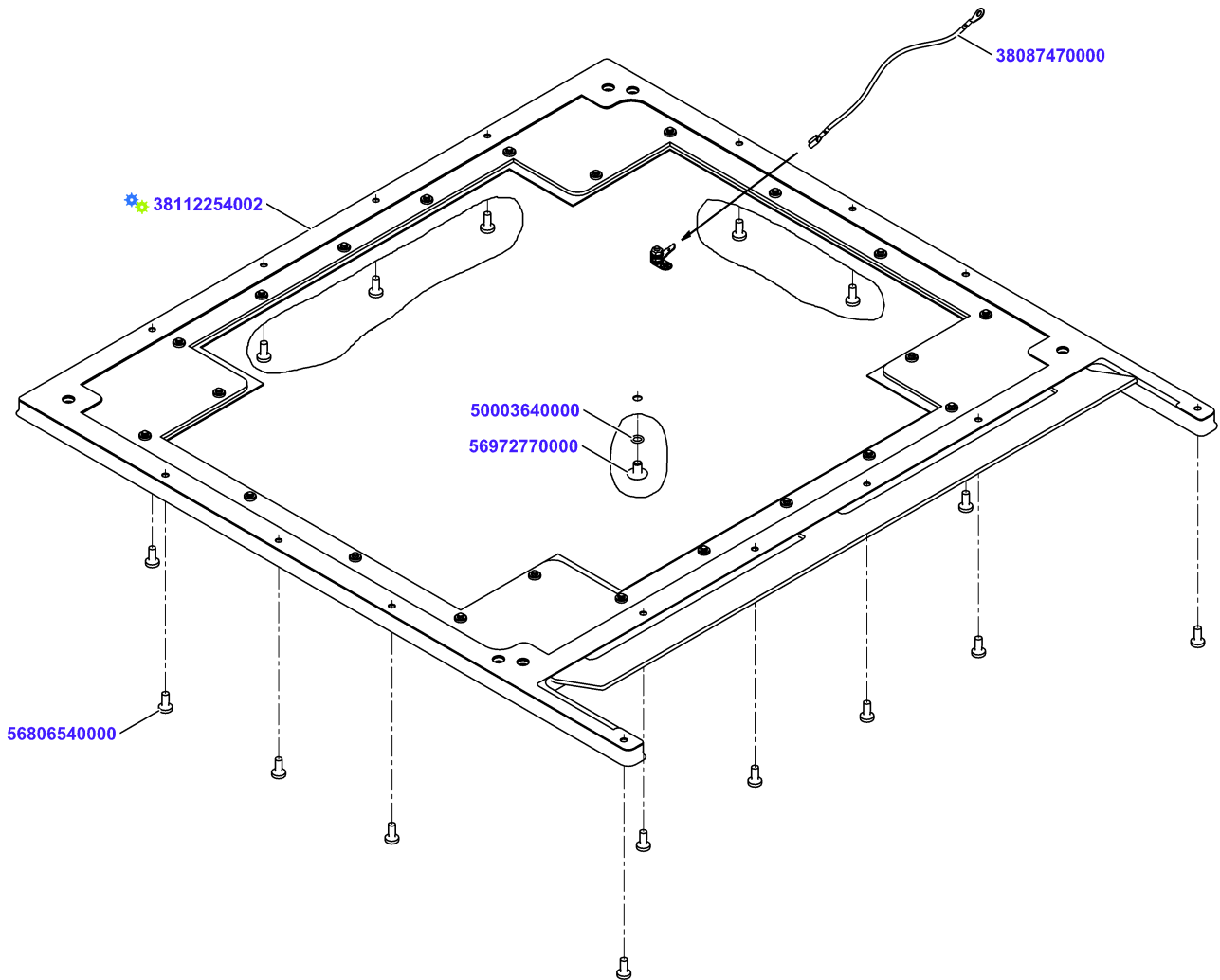
# Setup preass.



## Setup preass.

Material No.	Qty	Material description	available for order	Wear part	Recomm. sp. part	Metr. relevance
<a href="#">38071104001</a>	1	Bottom Plate with Installation Bars	✓			
<a href="#">38072286002</a>	1	Sealing	✓		✓	
<a href="#">56777410000</a>	1	Screw seal M4	✓		✓	
<a href="#">57429160000</a>	1	Hexagon screw DIN933 M4x16 A2-70	✓			
<a href="#">57758610000</a>	1	Toothed washer DIN6797-A 4,3-Fst	✓			
<a href="#">50250100000</a>	1	Grounding Plate 9x17/4.3 D	✓			
<a href="#">56739040000</a>	1	Washer DIN125-A 4.3-A2-70	✓			
<a href="#">57767040000</a>	1	Spring lock washer DIN128-A4-FSt	✓			
<a href="#">56456400000</a>	1	Hexagon nut DIN934-M4-A2	✓			
<a href="#">71080560000</a>	1	Flat Plug 6.3 DIN4634	✓			
<a href="#">56739040000</a>	1	Washer DIN125-A 4.3-A2-70	✓			
<a href="#">57758610000</a>	1	Toothed washer DIN6797-A 4,3-Fst	✓			
<a href="#">56456400000</a>	1	Hexagon nut DIN934-M4-A2	✓			

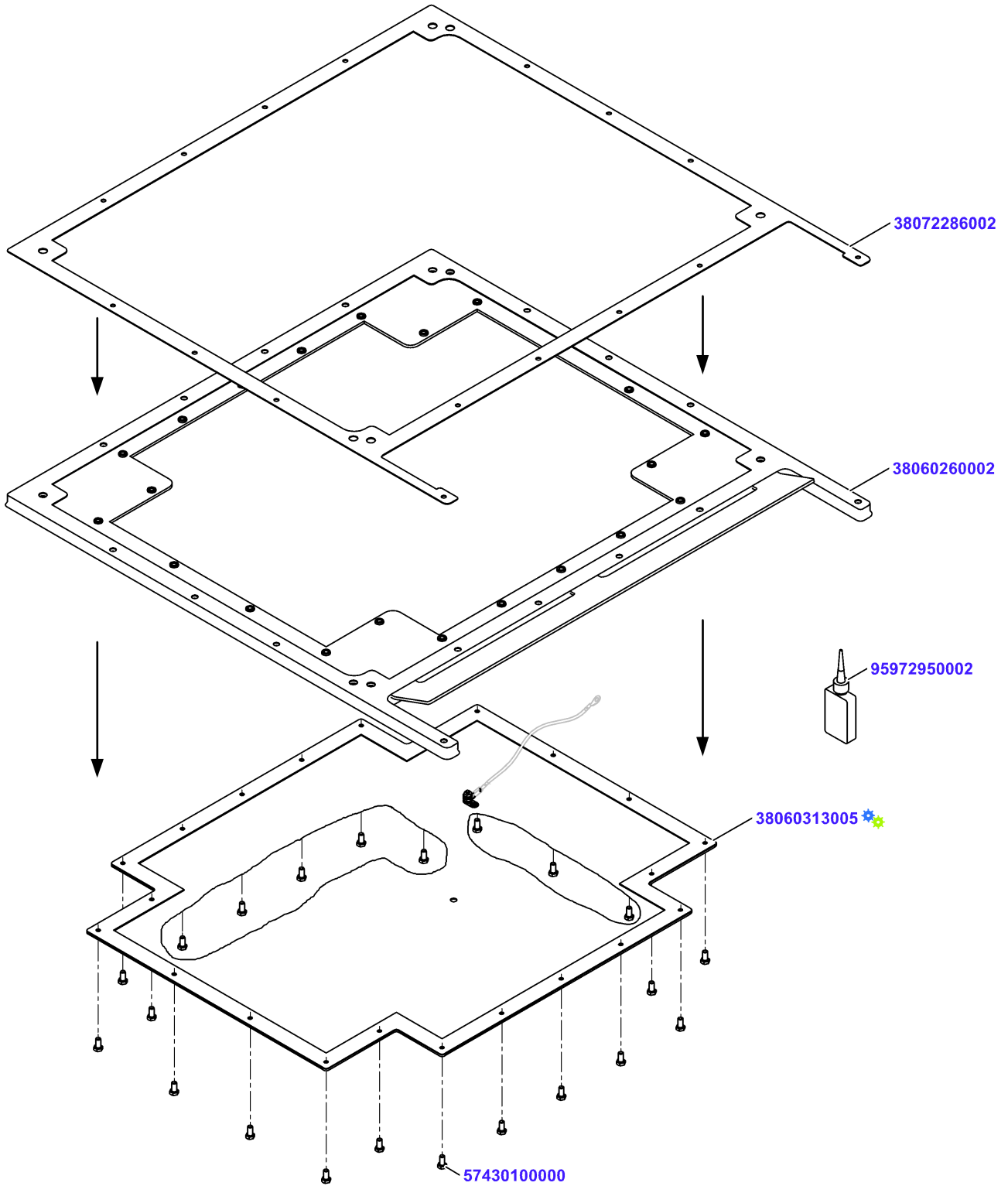
# Setup VSI w. Service Cover cpl



## Setup VSI w. Service Cover cpl

Material No.	Qty	Material description	available for order	Wear part	Recomm. sp. part	Metr. relevance
<a href="#">38112254002</a>	1	Setup w. Service Cover preass.				
<a href="#">38087470000</a>	1	Ka Li GN/YE AWG18 0,5m	✓			
<a href="#">56806540000</a>	16	Oval-head screw DIN7985 M5x12-A2-70	✓			
<a href="#">56972770000</a>	1	Mushroom head screw M6x10-A2-70	✓			
<a href="#">50003640000</a>	1	O-ring DIN3771 6x1,5 NBR	✓			

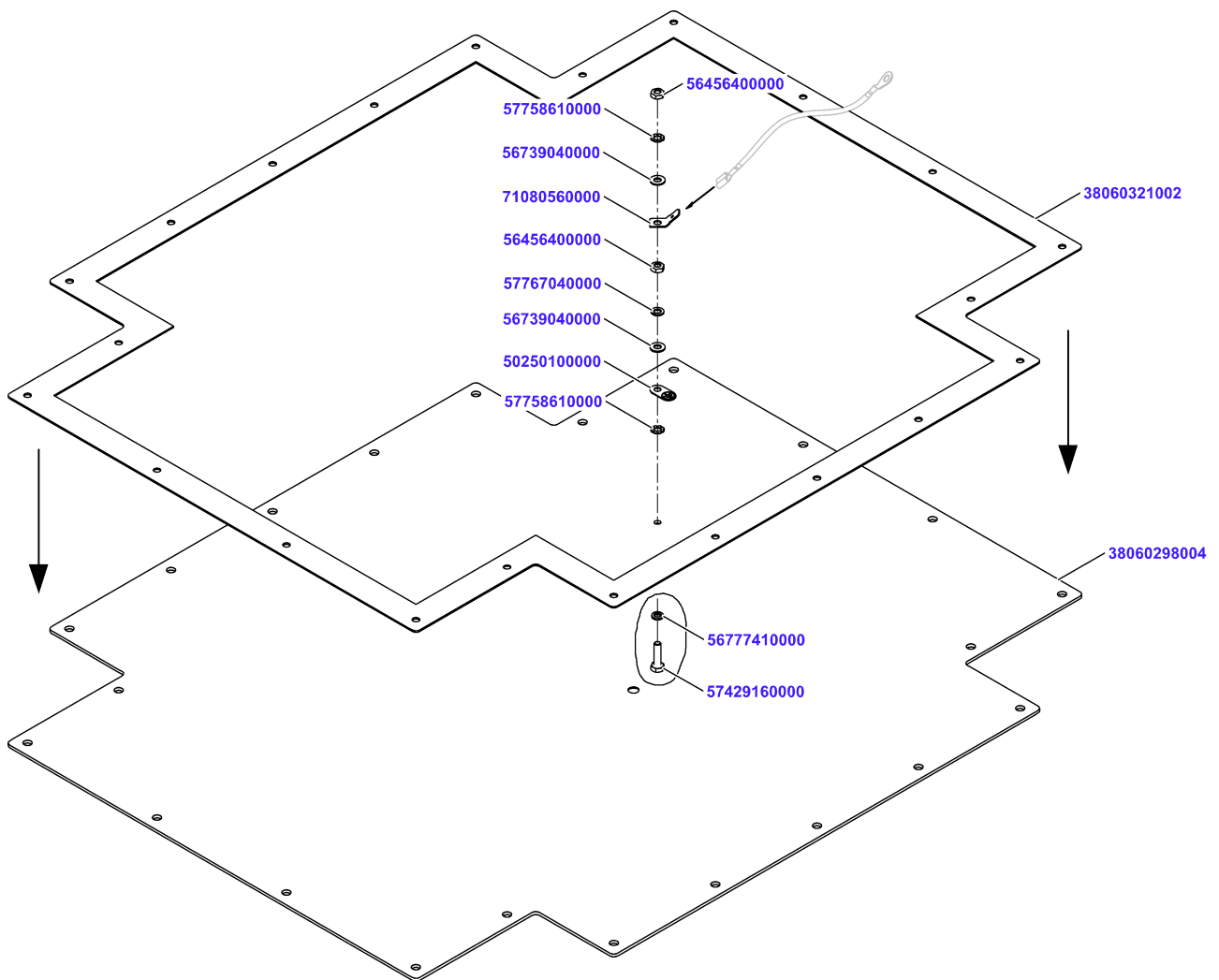
# Setup w. Service Cover preass.



## Setup w. Service Cover preass.

Material No.	Qty	Material description	available for order	Wear part	Recomm. sp. part	Metr. relevance
<a href="#">38060260002</a>	1	Frame with Installation Bars	✓			
<a href="#">38072286002</a>	1	Sealing	✓		✓	
<a href="#">38060313005</a>	1	Cover prem.	✓			
<a href="#">57430100000</a>	22	Hexagon screw DIN933 M5x10 A2-70	✓			
<a href="#">95972950002</a>	0,001	Loctite 243 50 ml	✓			

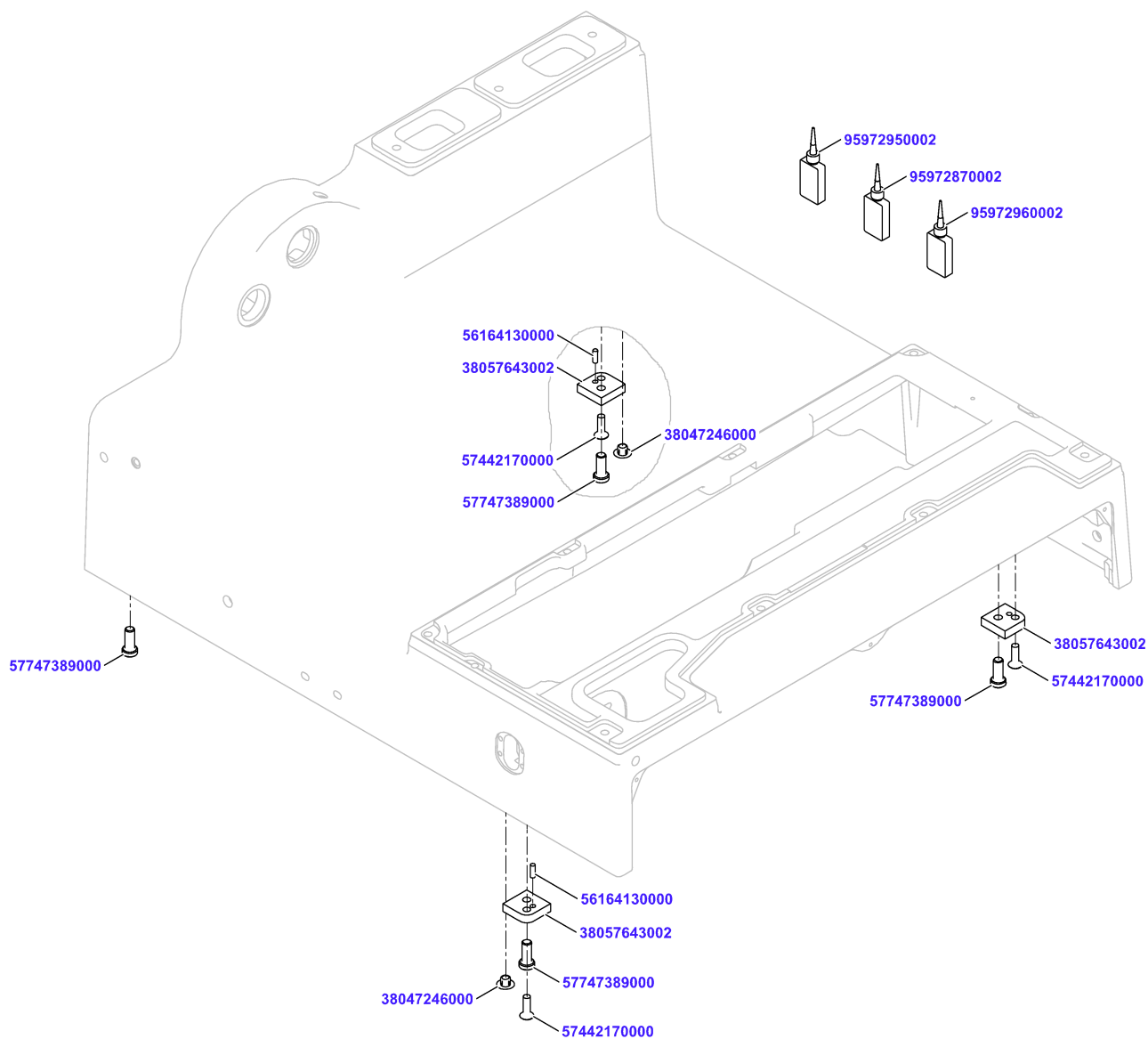
# Cover prem.



## Cover prem.

Material No.	Qty	Material description	available for order	Wear part	Recomm. sp. part	Metr. relevance
<a href="#">38060298004</a>	1	Cover 472x557	✓			
<a href="#">38060321002</a>	1	Sealing	✓		✓	
<a href="#">57429160000</a>	1	Hexagon screw DIN933 M4x16 A2-70	✓			
<a href="#">56777410000</a>	1	Screw seal M4	✓		✓	
<a href="#">57758610000</a>	1	Toothed washer DIN6797-A 4,3-Fst	✓			
<a href="#">50250100000</a>	1	Grounding Plate 9x17/4.3 D	✓			
<a href="#">56739040000</a>	1	Washer DIN125-A 4.3-A2-70	✓			
<a href="#">57767040000</a>	1	Spring lock washer DIN128-A4-FSt	✓			
<a href="#">56456400000</a>	1	Hexagon nut DIN934-M4-A2	✓			
<a href="#">71080560000</a>	1	Flat Plug 6.3 DIN4634	✓			
<a href="#">56739040000</a>	1	Washer DIN125-A 4.3-A2-70	✓			
<a href="#">57758610000</a>	1	Toothed washer DIN6797-A 4,3-Fst	✓			
<a href="#">56456400000</a>	1	Hexagon nut DIN934-M4-A2	✓			

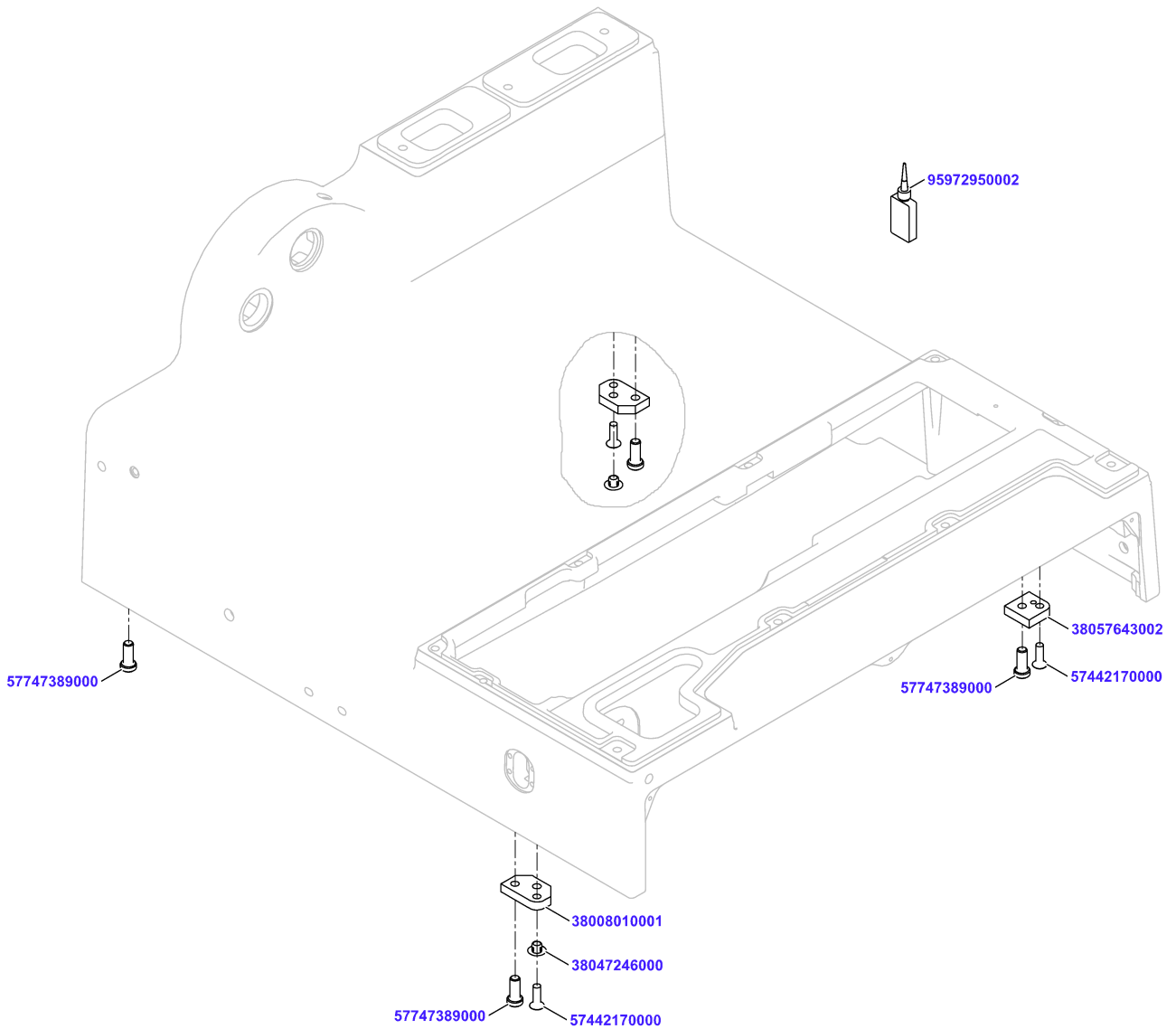
# Plate Kit T



# Plate Kit T

Material No.	Qty	Material description	available for order	Wear part	Recomm. sp. part	Metr. relevance
<a href="#">38057643002</a>	3	Plate				
<a href="#">57442170000</a>	3	Countersunk screw DIN7991 M6x20-A2-70				
<a href="#">95972950002</a>	0,003	Loctite 243 50 ml				
<a href="#">56164130000</a>	2	Cylindrical pin EN 22338-4m6x12-A2				
<a href="#">95972960002</a>	0,002	Loctite 7649 500ml				
<a href="#">95972870002</a>	0,002	Loctite 638				
<a href="#">57747389000</a>	4	Cylinder screw DIN7984 M8x20-A2-70				
<a href="#">38047246000</a>	2	Protective plug 15x8x6,9-PE				

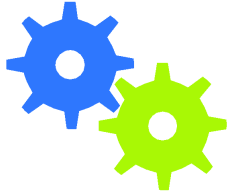
# Plate Kit T light



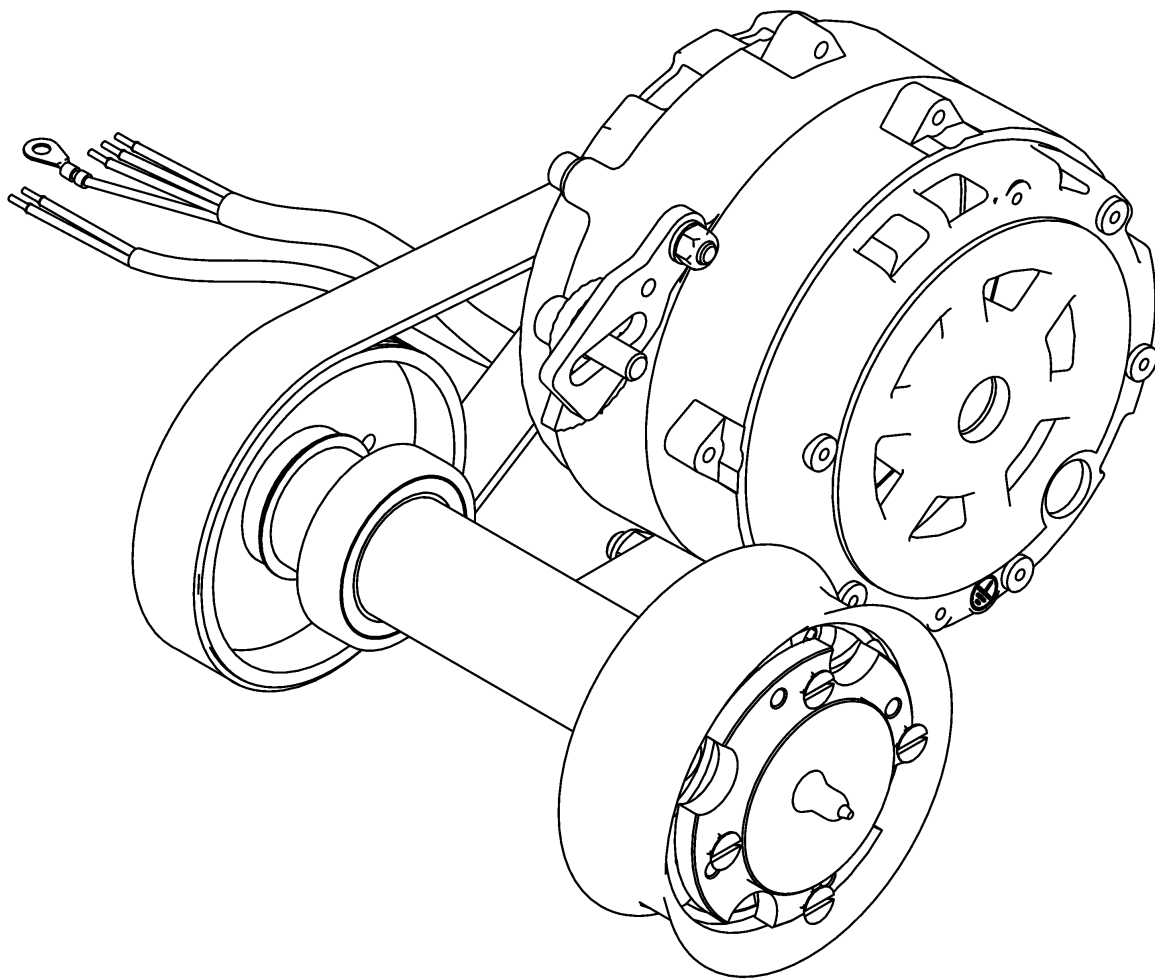
# Plate Kit T light

Material No.	Qty	Material description	available for order	Wear part	Recomm. sp. part	Metr. relevance
<a href="#">38057643002</a>	1	Plate				
<a href="#">38008010001</a>	2	Plate 41x26x8				
<a href="#">57442170000</a>	3	Countersunk screw DIN7991 M6x20-A2-70				
<a href="#">95972950002</a>	0,004	Loctite 243 50 ml				
<a href="#">57747389000</a>	4	Cylinder screw DIN7984 M8x20-A2-70				
<a href="#">38047246000</a>	2	Protective plug 15x8x6,9-PE				

# Blade drive



**38111007000**



# Blade drive

**Material No.**    **Qty**    **Material description**

[38111007000](#)    1    Blade Drive one-piece VSI cpl.

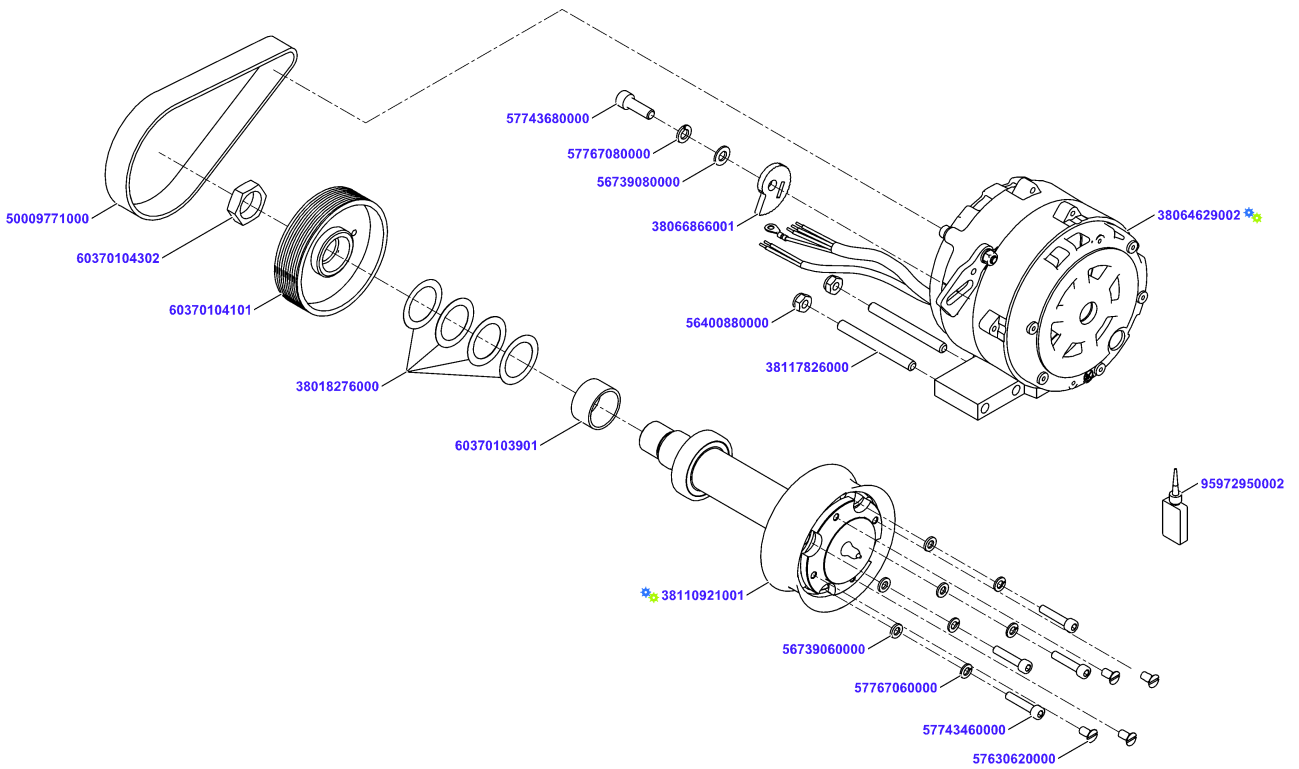
available for order

Wear part

Recomm. sp. part

Metr. relevance

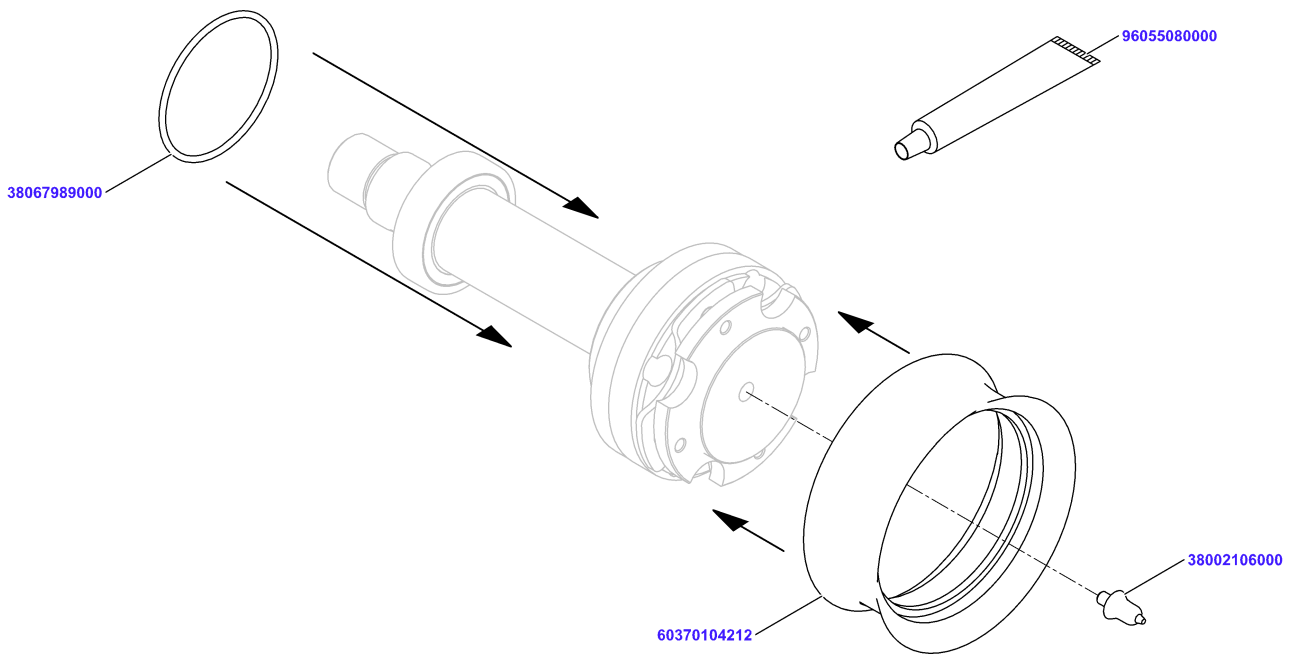
# Blade Drive one-piece VSI cpl.







## Blade Drive one-piece VSI cpl.

Material No.	Qty	Material description	available for order	Wear part	Recomm. sp. part	Metr. relevance
<a href="#">38110921001</a>	1	Blade Bearing one-piece cpl.	✓		✓	
<a href="#">57743460000</a>	4	Cylinder screw DIN912 M6x30-A2-70	✓			
<a href="#">57767060000</a>	4	Spring lock washer DIN128-A6-FSt	✓			
<a href="#">56739060000</a>	4	Washer DIN125-A-6-A2	✓			
<a href="#">38064629002</a>	1	Motor cpl	✓			
<a href="#">38117826000</a>	2	Threaded bolt DIN 913-M8x80-A2	✓			
<a href="#">95972950002</a>	0,001	Loctite 243 50 ml	✓			
<a href="#">56400880000</a>	2	Lock nut DIN985-M8-A2	✓			
<a href="#">38066866001</a>	1	Tappet	✓			
<a href="#">57743680000</a>	1	Cylinder screw DIN912 M8x25-A2-70	✓			
<a href="#">57767080000</a>	1	Spring lock washer DIN128-A8-A2	✓			
<a href="#">56739080000</a>	1	Washer DIN125-A-8-A2	✓			
<a href="#">60370103901</a>	1	Spacer ring 19mm	✓			
<a href="#">38018276000</a>	4	Shim ring DIN988-30x42x0,2	✓			
<a href="#">60370104101</a>	1	Belt pulley PolyV 98,4	✓			
<a href="#">60370104302</a>	1	Hexagon nut M25x1,5 SW30	✓			
<a href="#">50009771000</a>	1	V-ribbed belt 10 PJ 457	✓	✓	✓	
<a href="#">57630620000</a>	4	Countersunk screw DIN963 M6x12-A2-70	✓			

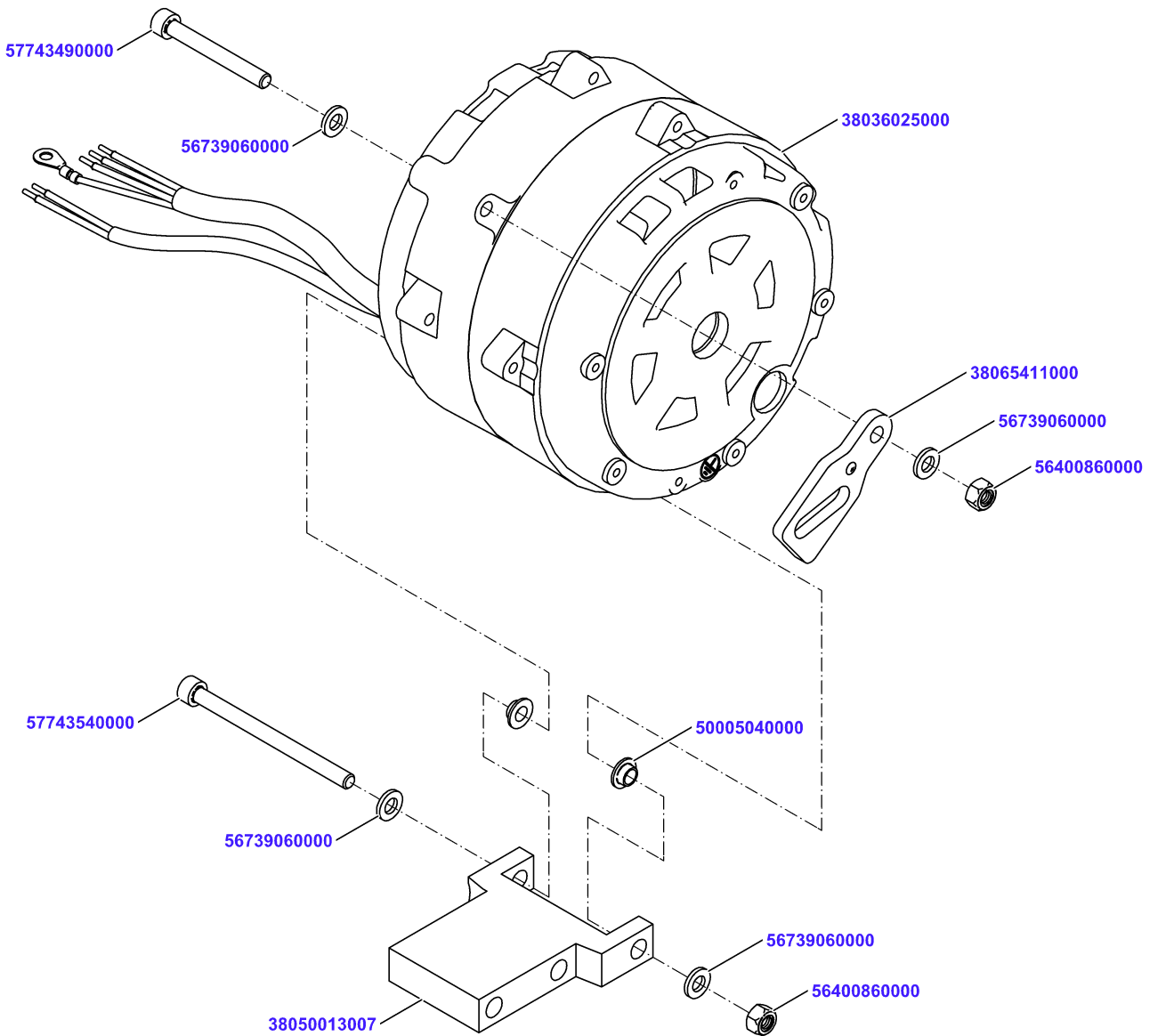
# Blade Bearing one-piece cpl.



## Blade Bearing one-piece cpl.

Material No.	Qty	Material description	available for order	Wear part	Recomm. sp. part	Metr. relevance
<a href="#">60370104212</a>	1	Sealing ring blade 108x84x40				
<a href="#">96055080000</a>	0,001	Kluebersynth UH1 64-62/25kg				
<a href="#">38067989000</a>	1	O-ring 58,42x2,62 NBR				
<a href="#">38002106000</a>	1	Shoring bolt				

# Motor cpl

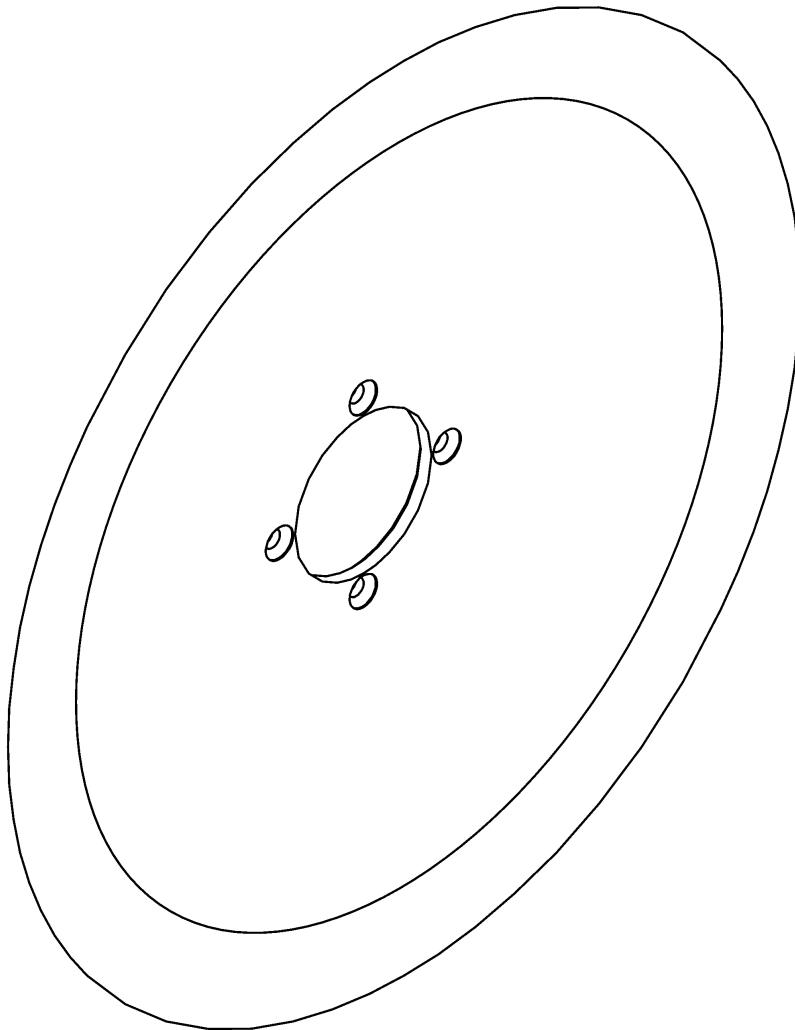


# Motor cpl

Material No.	Qty	Material description	available for order	Wear part	Recomm. sp. part	Metr. relevance
<a href="#">38036025000</a>	1	Motor VS 12 DRS 100V/50HZ thermal prot.				
<a href="#">57743490000</a>	1	Cylinder screw DIN912 M6x50-A2-70				
<a href="#">38065411000</a>	1	Clamp cpl				
<a href="#">56400860000</a>	1	Lock nut DIN985-M6-A2				
<a href="#">56739060000</a>	2	Washer DIN125-A-6-A2				
<a href="#">38050013007</a>	1	Bearing Pedestal				
<a href="#">50005040000</a>	2	Plain bearing w. flange 6x12x8x4				
<a href="#">57743540000</a>	1	Cylinder screw DIN912 M6x80-A2-70				
<a href="#">56739060000</a>	2	Washer DIN125-A-6-A2				
<a href="#">56400860000</a>	1	Lock nut DIN985-M6-A2				

# Blades

**38067775000**



# Blades

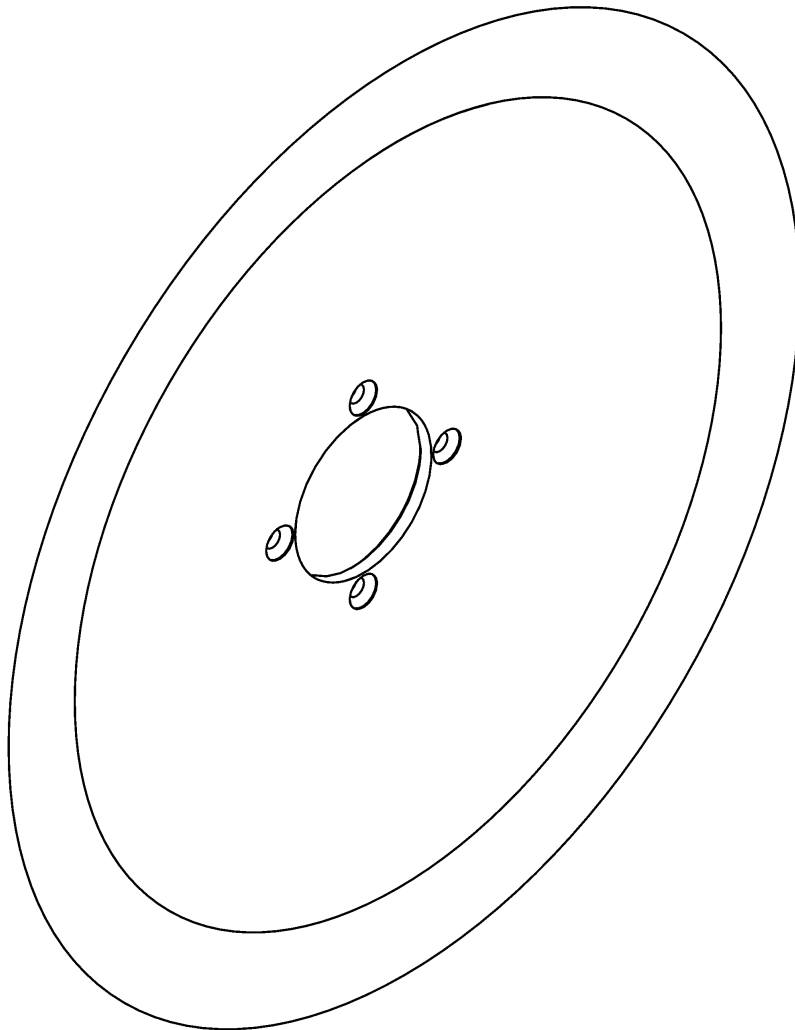
available for order
Wear part
Recomm. sp. part
Metr. relevance

Material No.	Qty	Material description
<a href="#">38067775000</a>	1	Blade 330 C Slayer



## Blades

**38067777001**

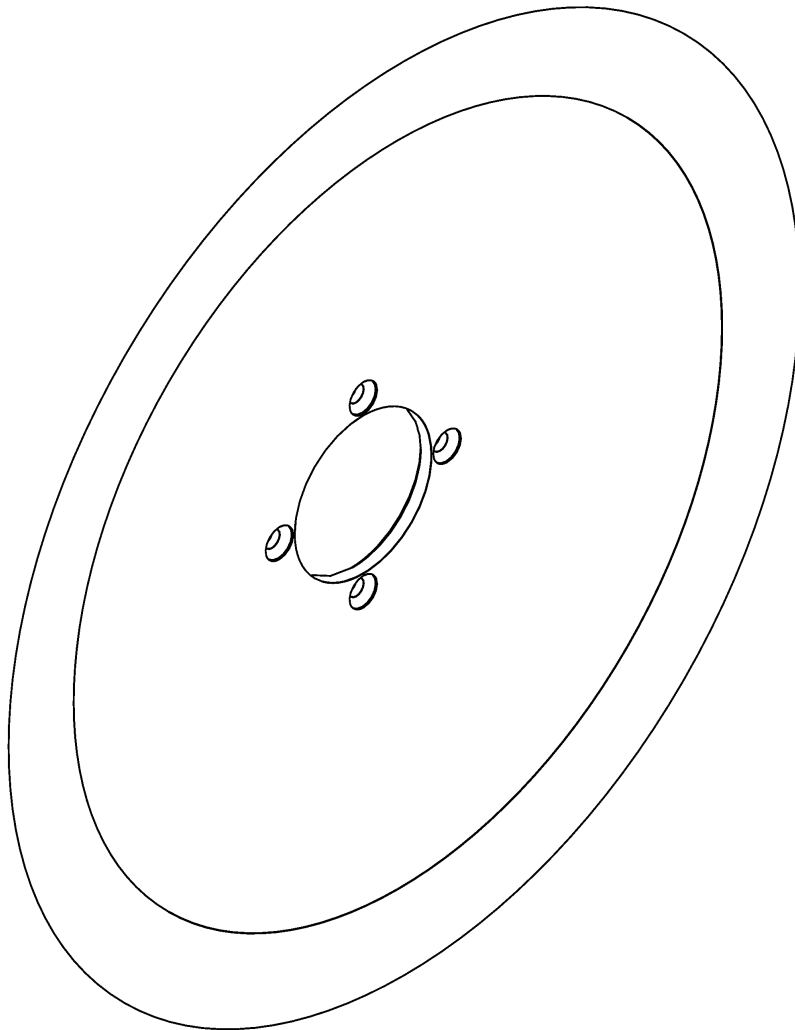


# Blades

Material No.	Qty	Material description	available for order	Wear part	Recomm. sp. part	Metr. relevance
38067777001	1	Blade 330 C Slayer Service	✓	✓	✓	

## Blades

**38080336000**

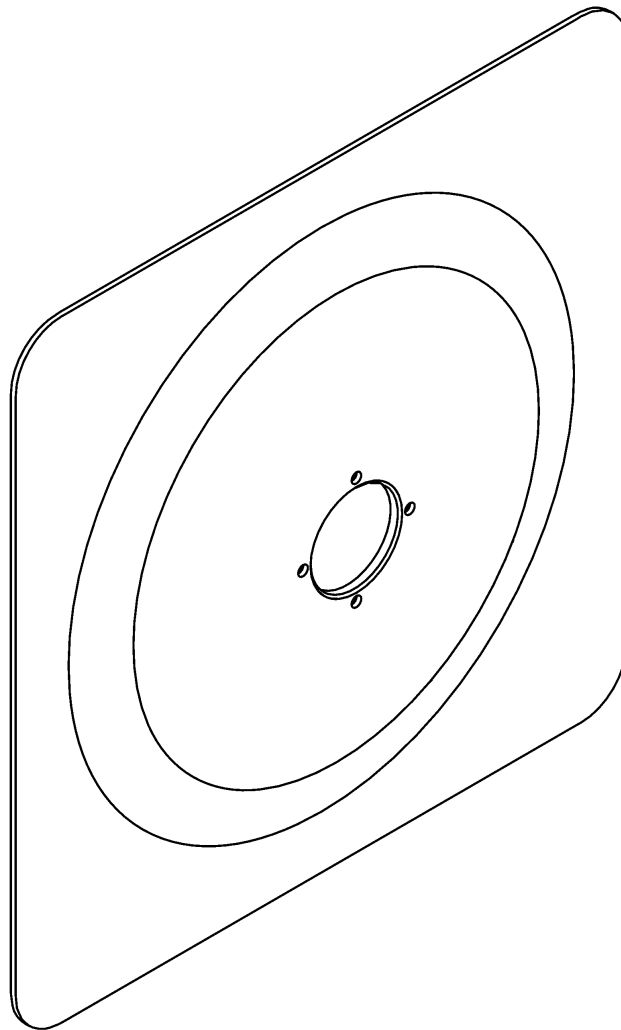


# Blades

Material No.	Qty	Material description	available for order	Wear part	Recomm. sp. part	Metr. relevance
38080336000	1	Blade 330 Cr Chiaravalli Service	✓	✓	✓	

## Blades

**38092188000**

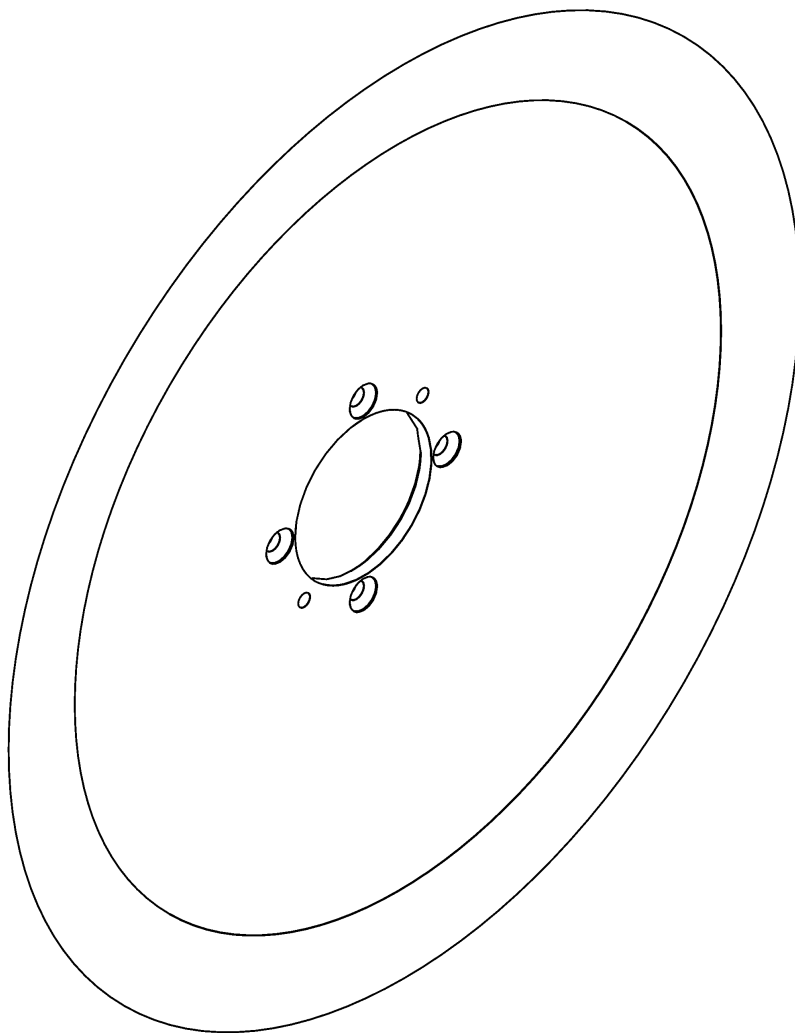


# Blades

Material No.	Qty	Material description	available for order	Wear part	Recomm. sp. part	Metr. relevance
38092188000	1	Blade 330 Groove Cr G&B - Service	✓	✓	✓	

## Blades

**38105667001**



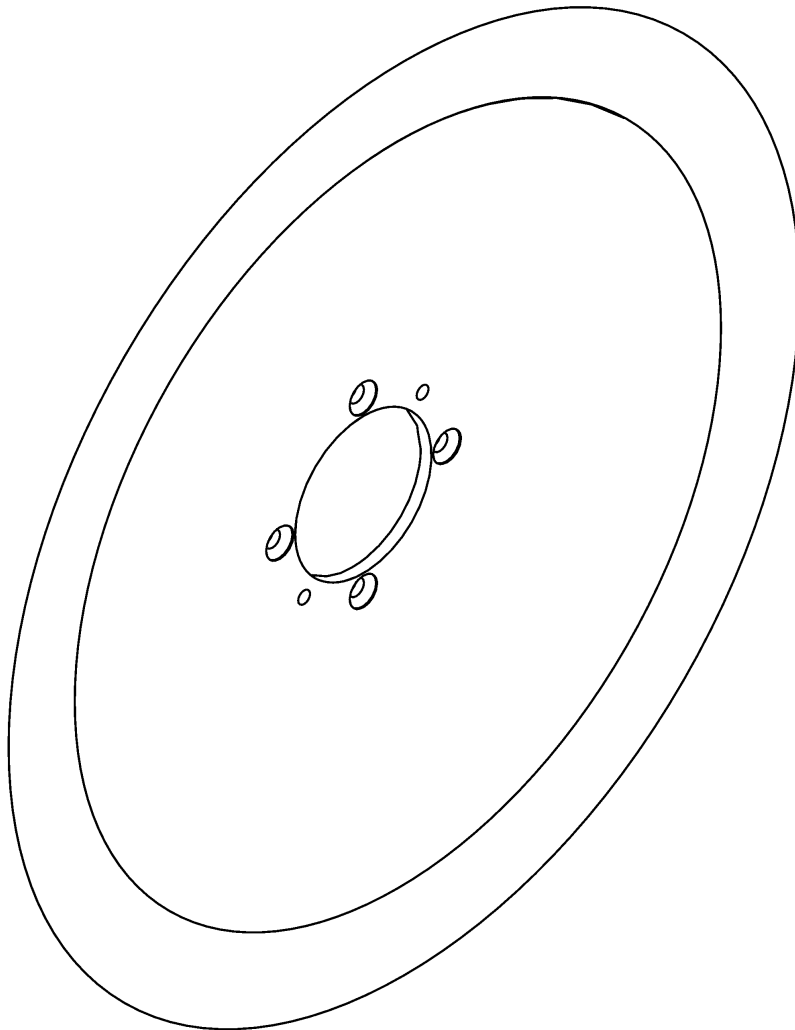
**No use in Italy !!**

# Blades



Material No.	Qty	Material description	available for order	Wear part	Recomm. sp. part	Metr. relevance
38105667001	1	Blade 330 1.4034 HCov 2M6 Slayer				

## Blades

**38107971000**

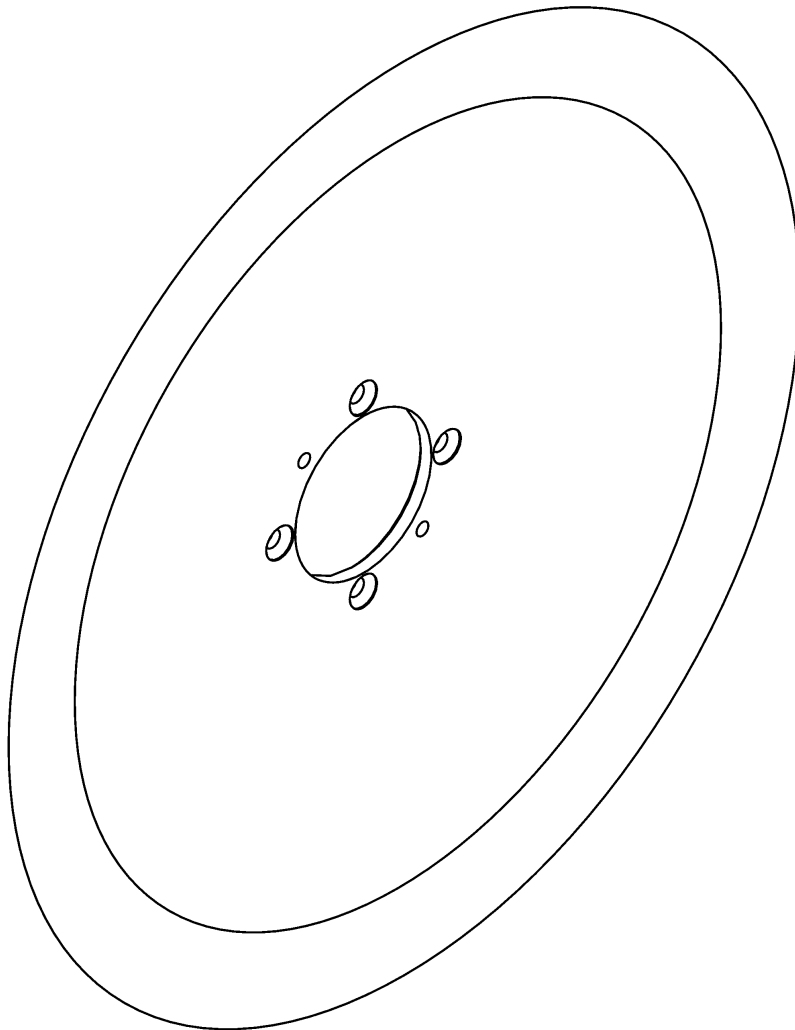


# Blades




Material No.	Qty	Material description	available for order	Wear part	Recomm. sp. part	Metr. relevance
<a href="#">38107971000</a>	1	Blade 330 Cr HCov 2M6 Chiaravalli				

## Blades

**38107980000**

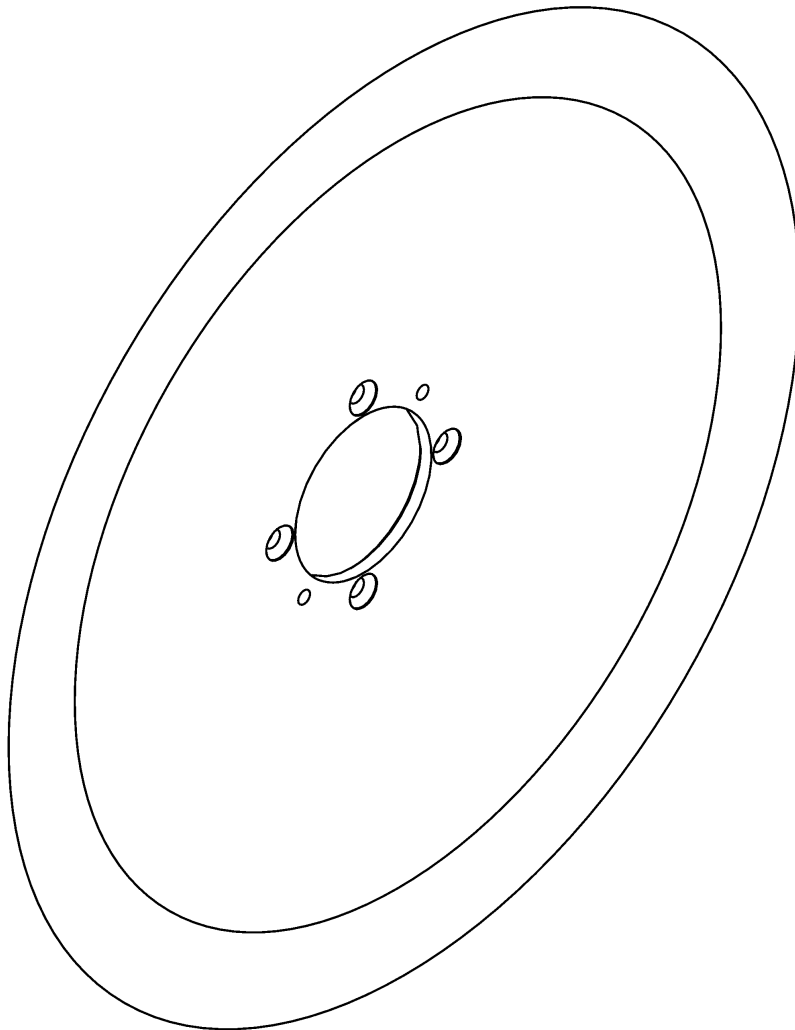


# Blades

Material No.	Qty	Material description	available for order	Wear part	Recomm. sp. part	Metr. relevance
38107980000	1	Blade 330 HCov 2M6 Slayer Service				

## Blades

**38111119000**



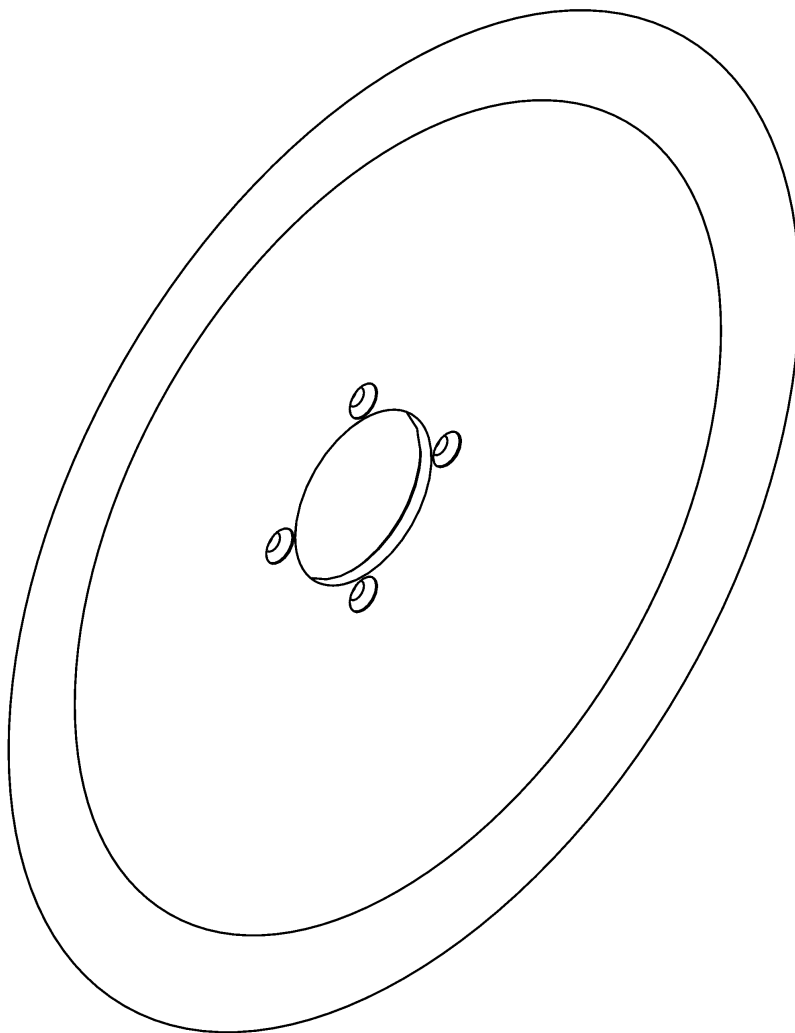
**No use in Italy !!**

# Blades

Material No.	Qty	Material description	available for order	Wear part	Recomm. sp. part	Metr. relevance
38111119000	1	Blade 330 1.4034 HCov 2M6 Slayer Service	✓	✓	✓	



## Blades

**38111166000**



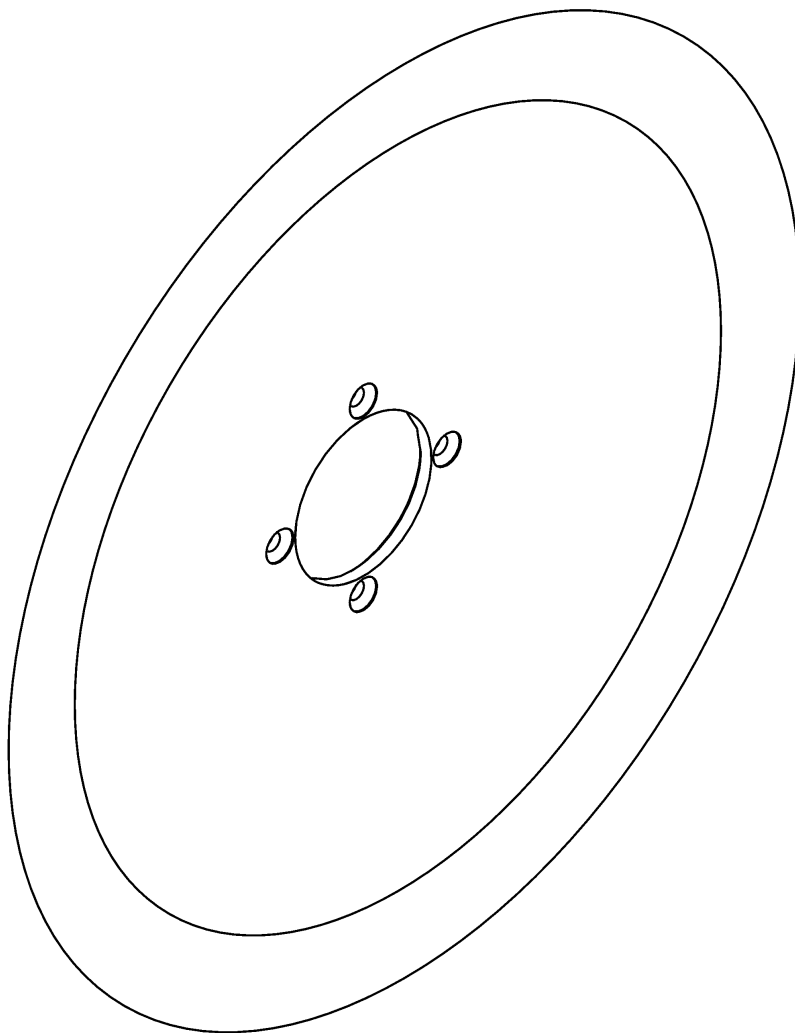
**No use in Italy !!**

# Blades

Material No.	Qty	Material description	available for order	Wear part	Recomm. sp. part	Metr. relevance
<a href="#">38111166000</a>	1	Blade 330 1.4034 HCov Slayer				



## Blades

**38111167000**



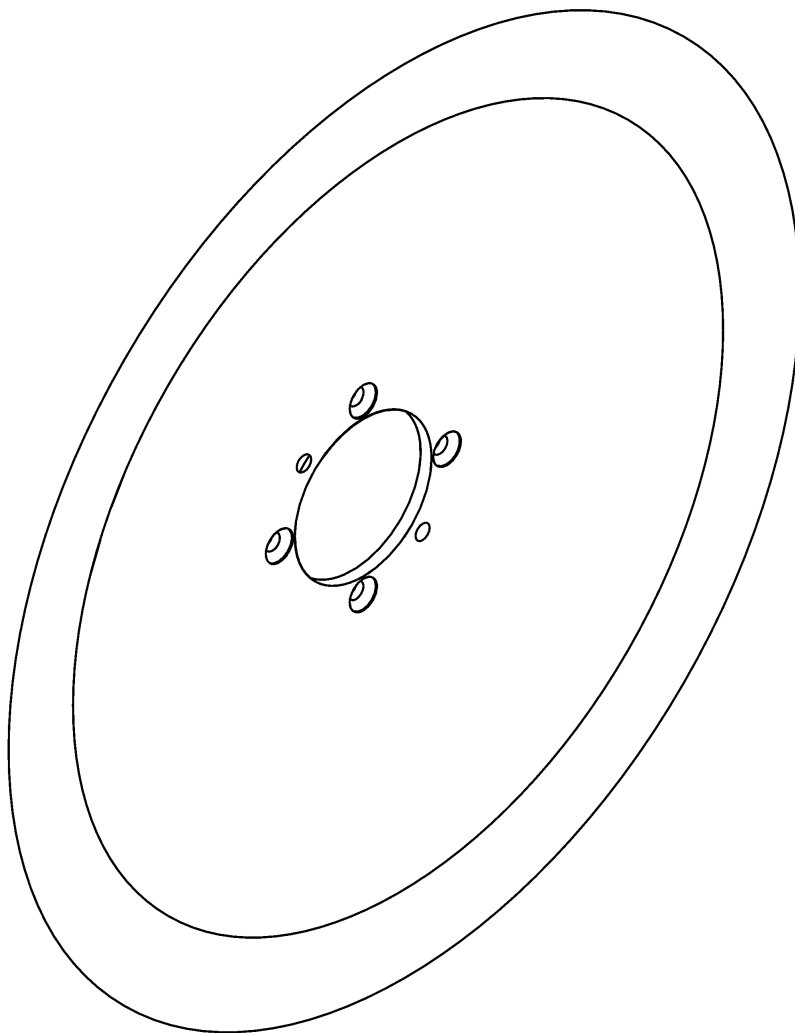
**No use in Italy !!**

# Blades

Material No.	Qty	Material description	available for order	Wear part	Recomm. sp. part	Metr. relevance
38111167000	1	Blade 330 1.4034 HCov Slayer Service				

## Blades

**38140148000**

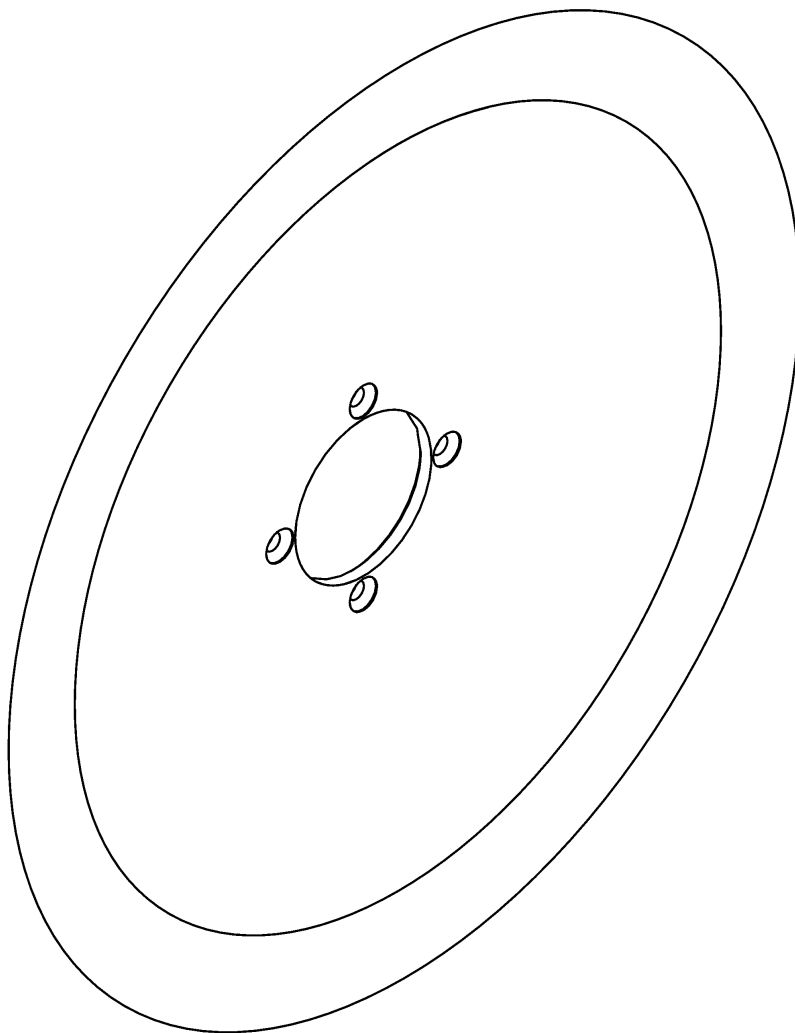


# Blades

Material No.	Qty	Material description	available for order	Wear part	Recomm. sp. part	Metr. relevance
38140148000	1	Blade 330 Cr 2M6 Slayer Service	✓	✓	✓	

# Blades

**38170551000**



# Blades

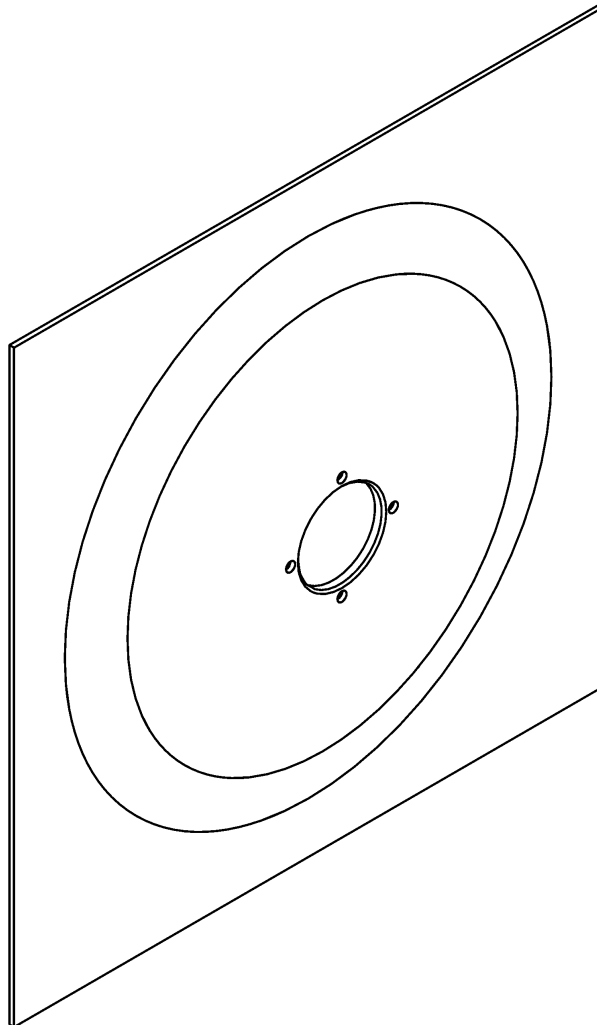
available for order
Wear part
Recomm. sp. part
Metr. relevance

Material No.	Qty	Material description
<a href="#">38170551000</a>	1	Blade 330 Cr HCov Slayer



## Blades

**38170552000**

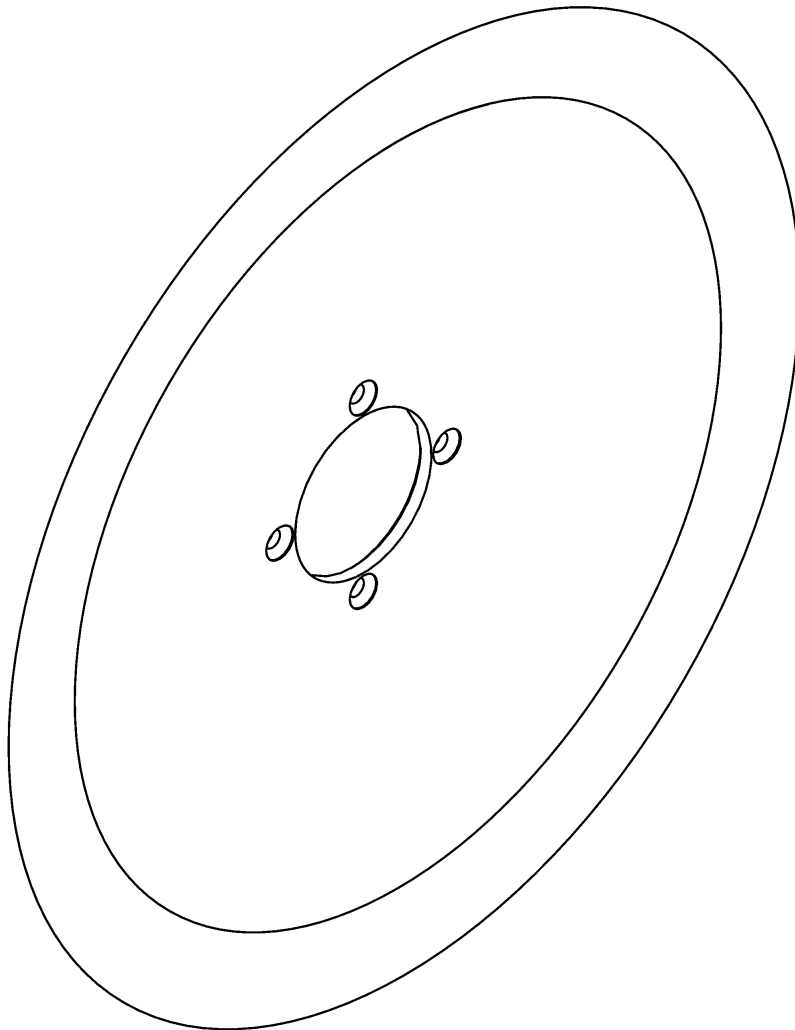


# Blades

Material No.	Qty	Material description	available for order	Wear part	Recomm. sp. part	Metr. relevance
<a href="#">38170552000</a>	1	Blade 330 Cr HCov Slayer Service	✓	✓	✓	



# Blades

**40223507600**



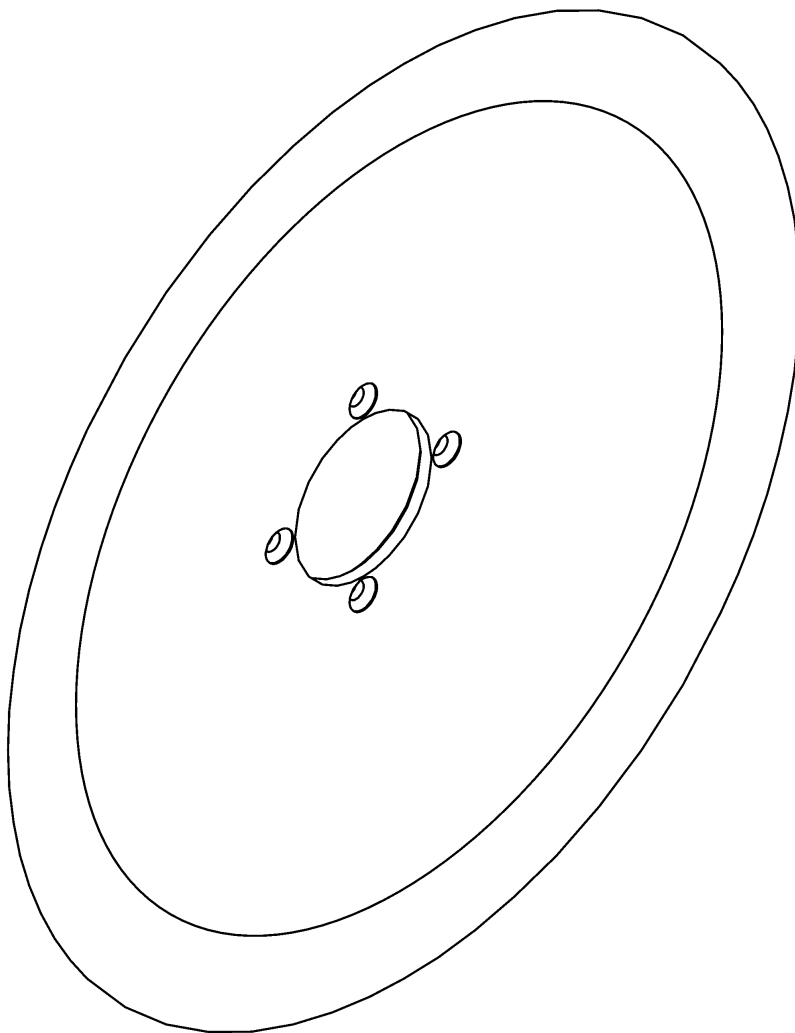
**Cheese**

# Blades



Material No.	Qty	Material description	available for order	Wear part	Recomm. sp. part	Metr. relevance
<a href="#">40223507600</a>	1	Blade 330 Cr HCov G&B				

## Blades

**60530101500**

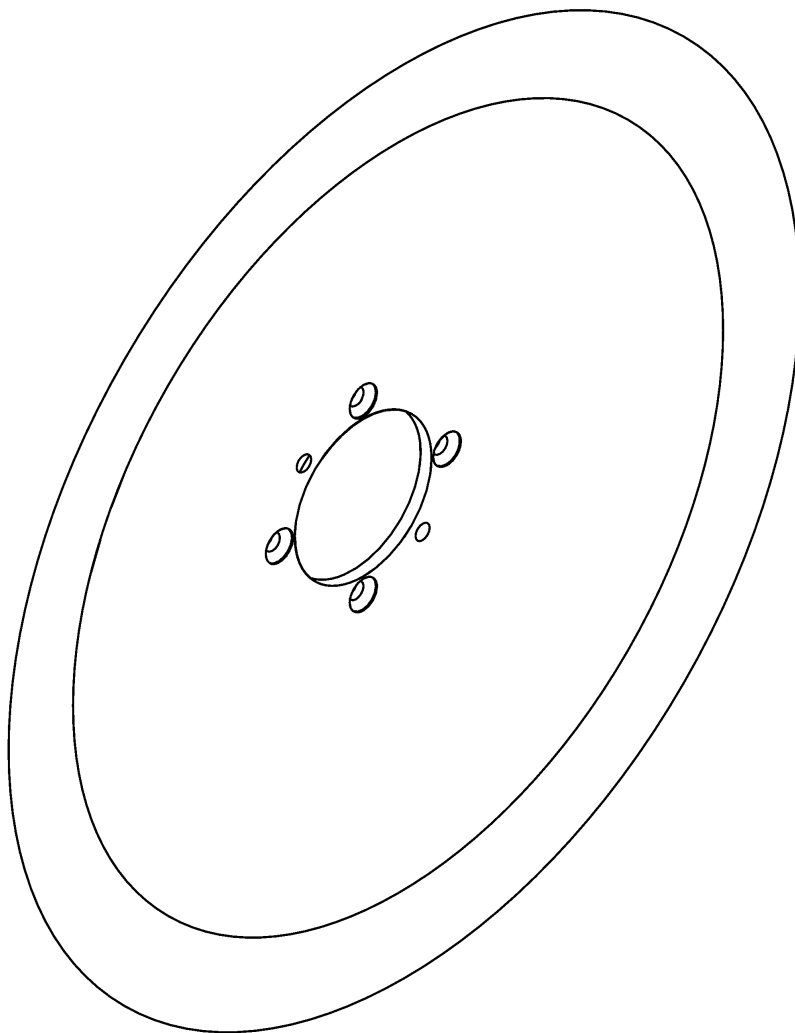


# Blades

Material No.	Qty	Material description	available for order	Wear part	Recomm. sp. part	Metr. relevance
<a href="#">60530101500</a>	1	Blade 330 Cr Slayer				

## Blades

**60530106000**



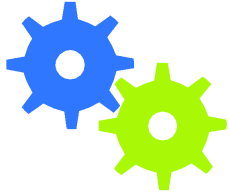
# Blades

available for order
Wear part
Recomm. sp. part
Metr. relevance

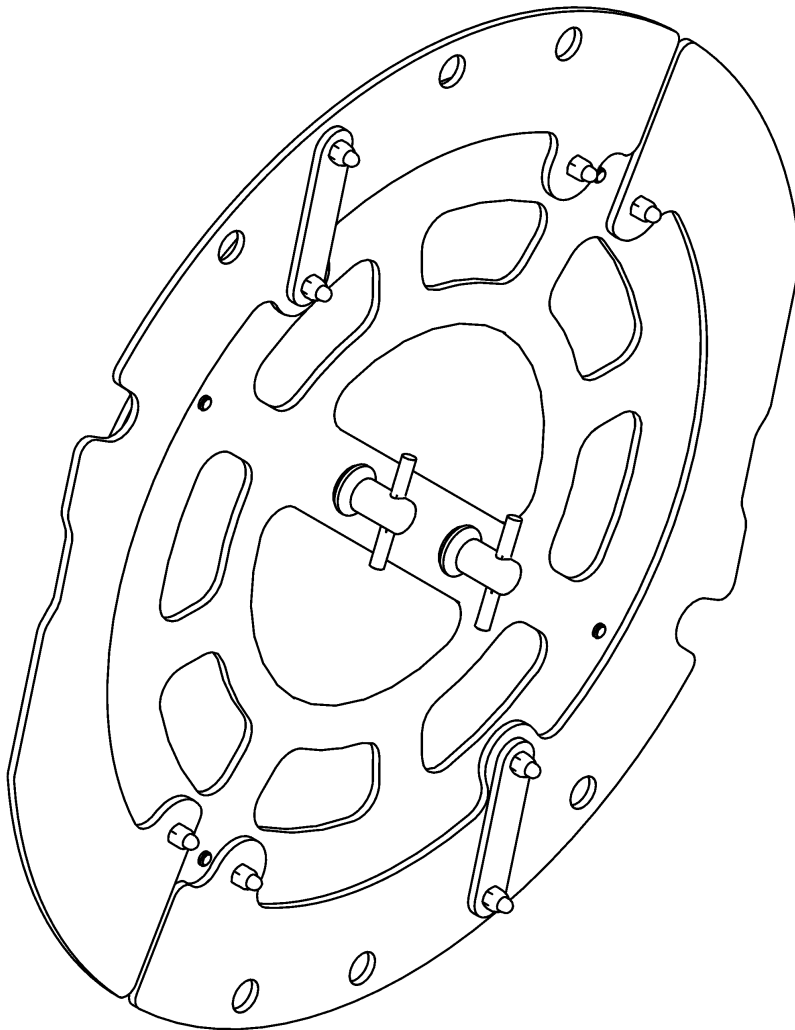
Material No.	Qty	Material description
<a href="#">60530106000</a>	1	Blade 330 Cr 2xM6 G&B



## Blade removal device



**38103321003**

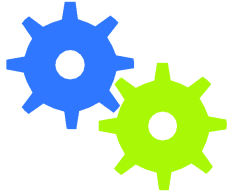


# Blade removal device

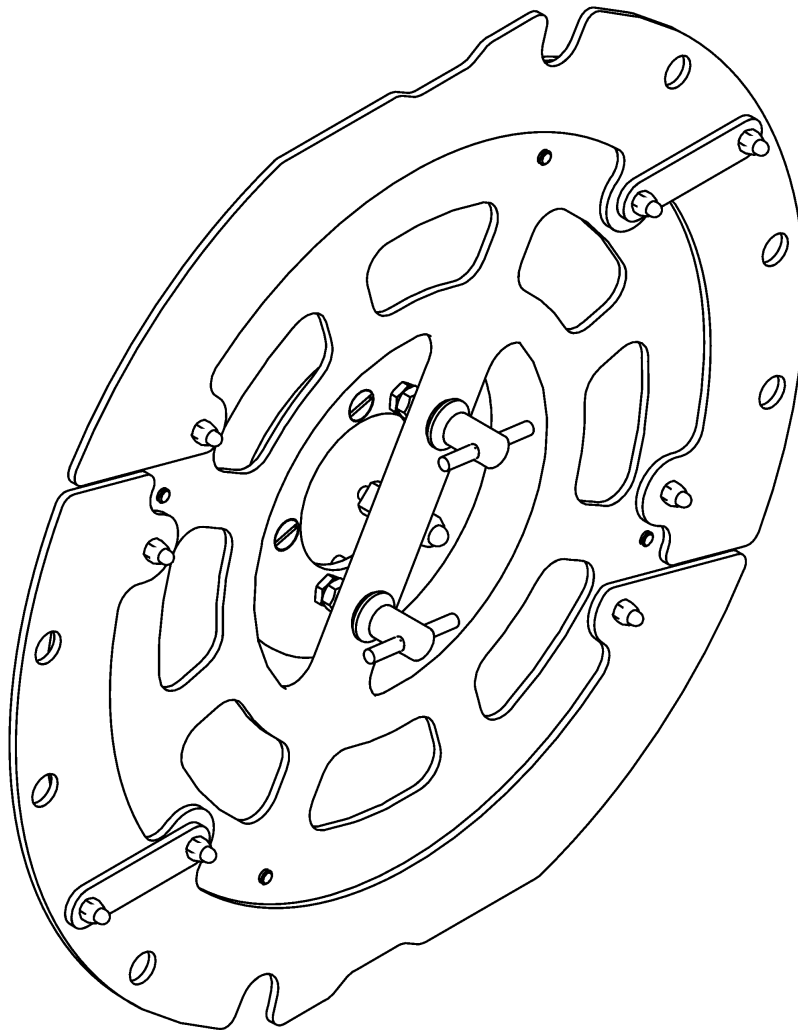
available for order
Wear part
Recomm. sp. part
Metr. relevance

Material No.	Qty	Material description
<a href="#">38103321003</a>	1	Blade Removal Device preassembled

## Blade removal device




**38103348003**

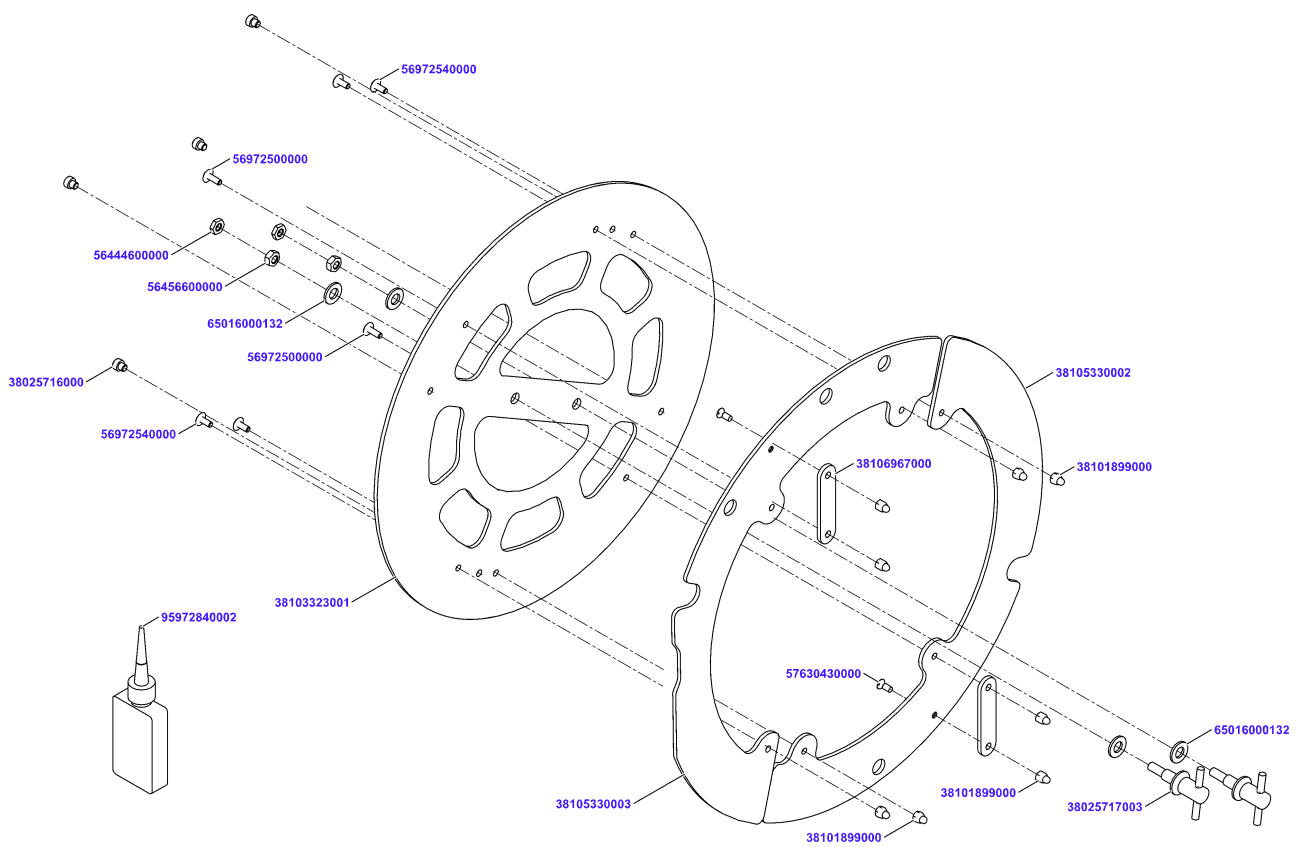


# Blade removal device















Material No.	Qty	Material description
<a href="#">38103348003</a>	1	Blade removal device 330 V2A

	available for order	Wear part	Recomm. sp. part	Metr. relevance
---	---------------------	-----------	------------------	-----------------

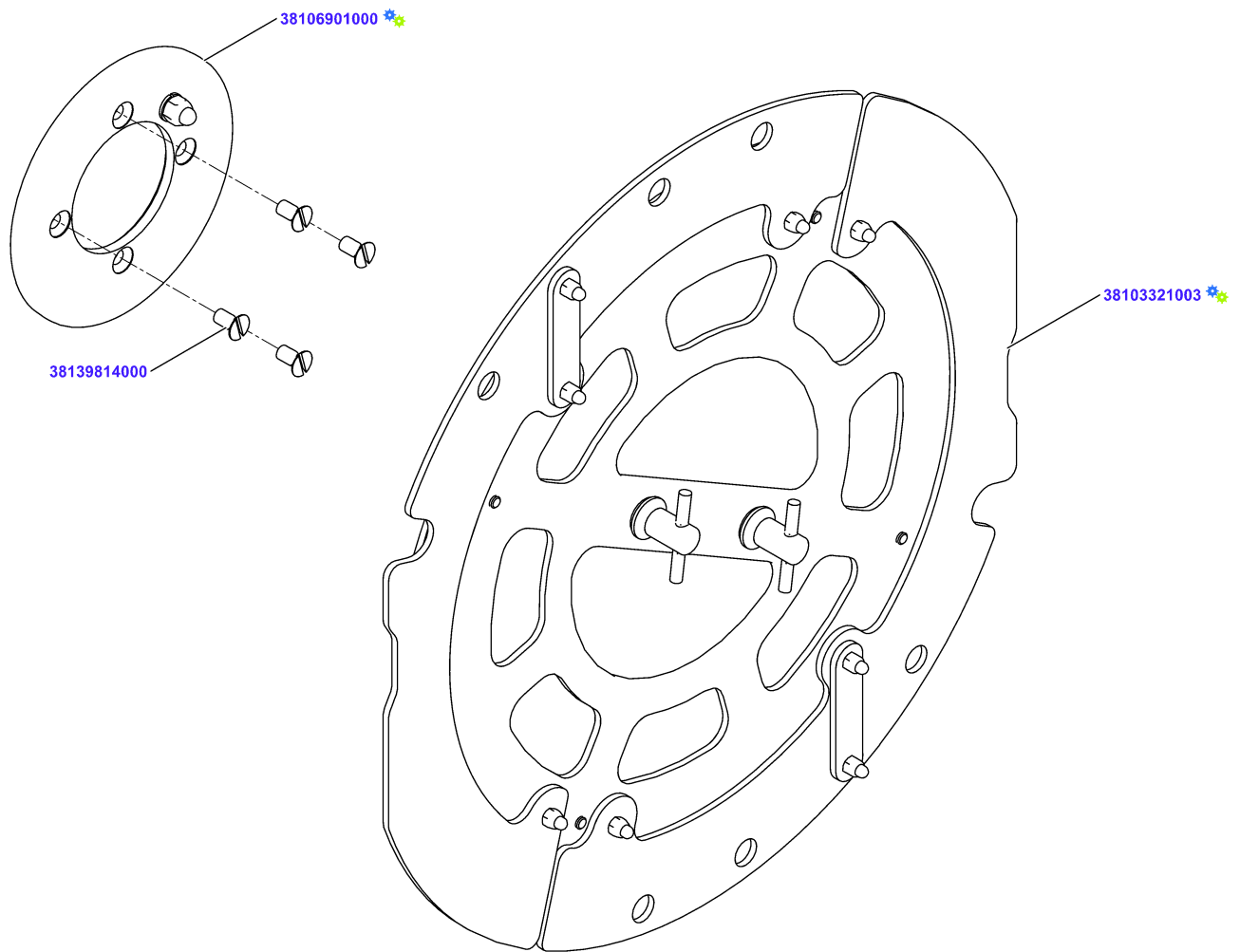
# Blade Removal Device preassembled






## Blade Removal Device preassembled

Material No.	Qty	Material description	available for order	Wear part	Recomm. sp. part	Metr. relevance
<a href="#">38103323001</a>	1	Safety Disk 331,5x3				
<a href="#">38025716000</a>	4	stop pin				
<a href="#">38025717003</a>	2	Blade Removing Bolt preassembled				
<a href="#">95972840002</a>	0,002	Loctite 648 10ml.				
<a href="#">56444600000</a>	2	Hexagon nut DIN439-M6-A2				
<a href="#">56456600000</a>	2	Hexagon nut DIN934-M6-A2				
<a href="#">65016000132</a>	4	Washer DIN125-A-8-PA6				
<a href="#">38105330003</a>	2	Ring plate				
<a href="#">56972540000</a>	4	Mushroom head screw M4x10-A2-70				
<a href="#">38101899000</a>	4	Cap nut DIN986-M4-A2				
<a href="#">38106967000</a>	2	Distance Plate				
<a href="#">57630430000</a>	2	Countersunk screw DIN963 M4x10-A2-70				
<a href="#">38101899000</a>	4	Cap nut DIN986-M4-A2				
<a href="#">56972500000</a>	2	Mushroom head screw M4x12-A2-70				

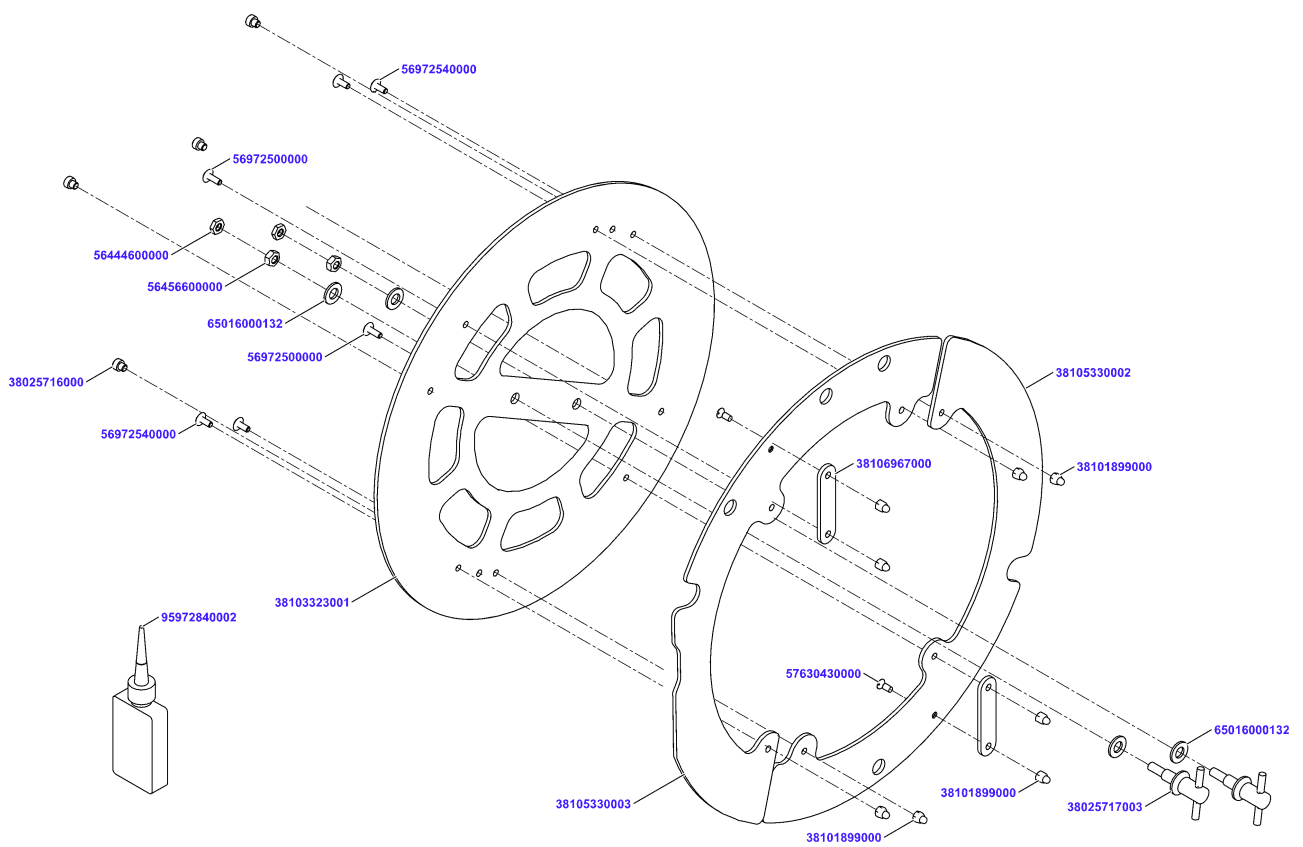
# Blade removal device 330 V2A

















## Blade removal device 330 V2A

Material No.	Qty	Material description	available for order	Wear part	Recomm. sp. part	Metr. relevance
<a href="#">38103321003</a>	1	Blade Removal Device preassembled				
<a href="#">38106901000</a>	1	Cover preassembled				
<a href="#">38139814000</a>	4	Screw DIN963 M6x12-A2 - Precote 80-8				

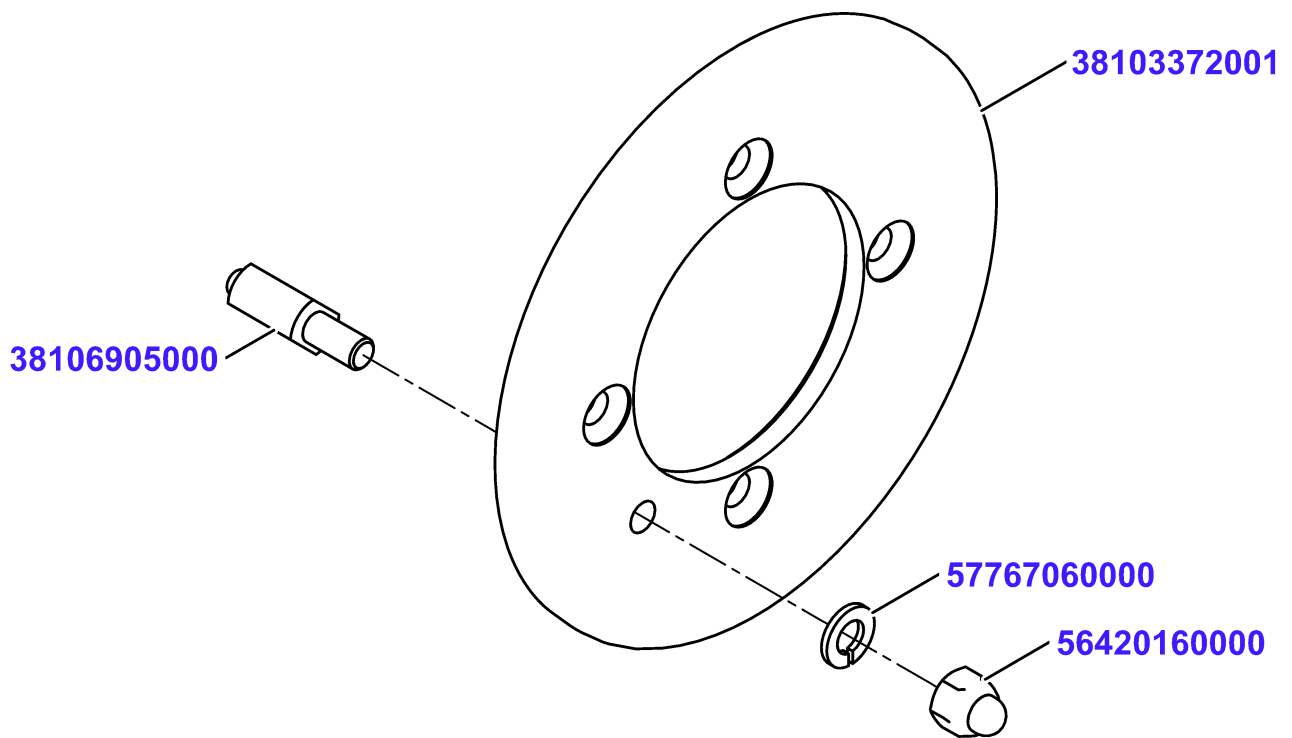
# Blade Removal Device preassembled



## Blade Removal Device preassembled





Material No.	Qty	Material description	available for order	Wear part	Recomm. sp. part	Metr. relevance
<a href="#">38103323001</a>	1	Safety Disk 331,5x3				
<a href="#">38025716000</a>	4	stop pin				
<a href="#">38025717003</a>	2	Blade Removing Bolt preassembled				
<a href="#">95972840002</a>	0,002	Loctite 648 10ml.				
<a href="#">56444600000</a>	2	Hexagon nut DIN439-M6-A2				
<a href="#">56456600000</a>	2	Hexagon nut DIN934-M6-A2				
<a href="#">65016000132</a>	4	Washer DIN125-A-8-PA6				
<a href="#">38105330003</a>	2	Ring plate				
<a href="#">56972540000</a>	4	Mushroom head screw M4x10-A2-70				
<a href="#">38101899000</a>	4	Cap nut DIN986-M4-A2				
<a href="#">38106967000</a>	2	Distance Plate				
<a href="#">57630430000</a>	2	Countersunk screw DIN963 M4x10-A2-70				
<a href="#">38101899000</a>	4	Cap nut DIN986-M4-A2				
<a href="#">56972500000</a>	2	Mushroom head screw M4x12-A2-70				

## Cover preassembled

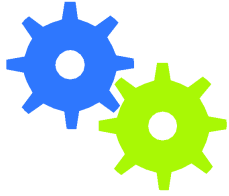


# Cover preassembled

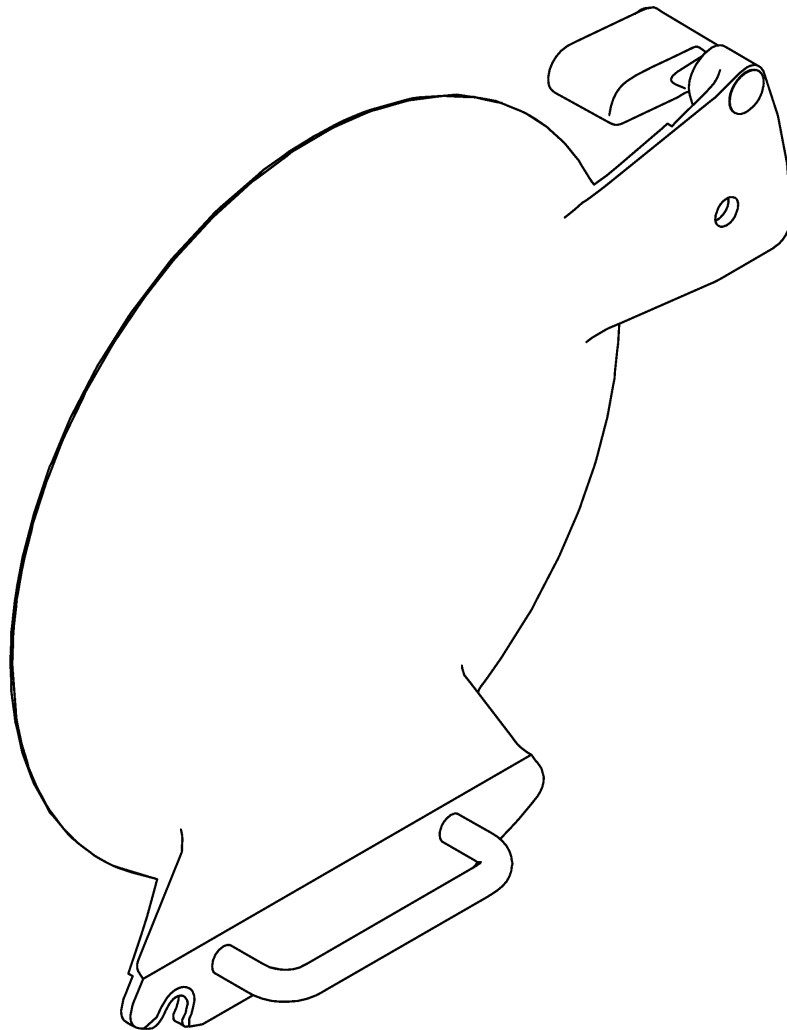
Material No.	Qty	Material description
<a href="#">38103372001</a>	1	Cover
<a href="#">38106905000</a>	1	Centering Pin
<a href="#">56420160000</a>	1	Cap nut DIN986-M6-A2
<a href="#">57767060000</a>	1	Spring lock washer DIN128-A6-FSt

available for order	Wear part	Recomm. sp. part	Metr. relevance
			
			
			
			

## Blade cover



**38139179000**

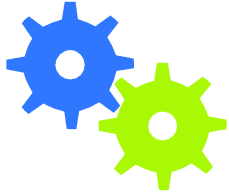


# Blade cover

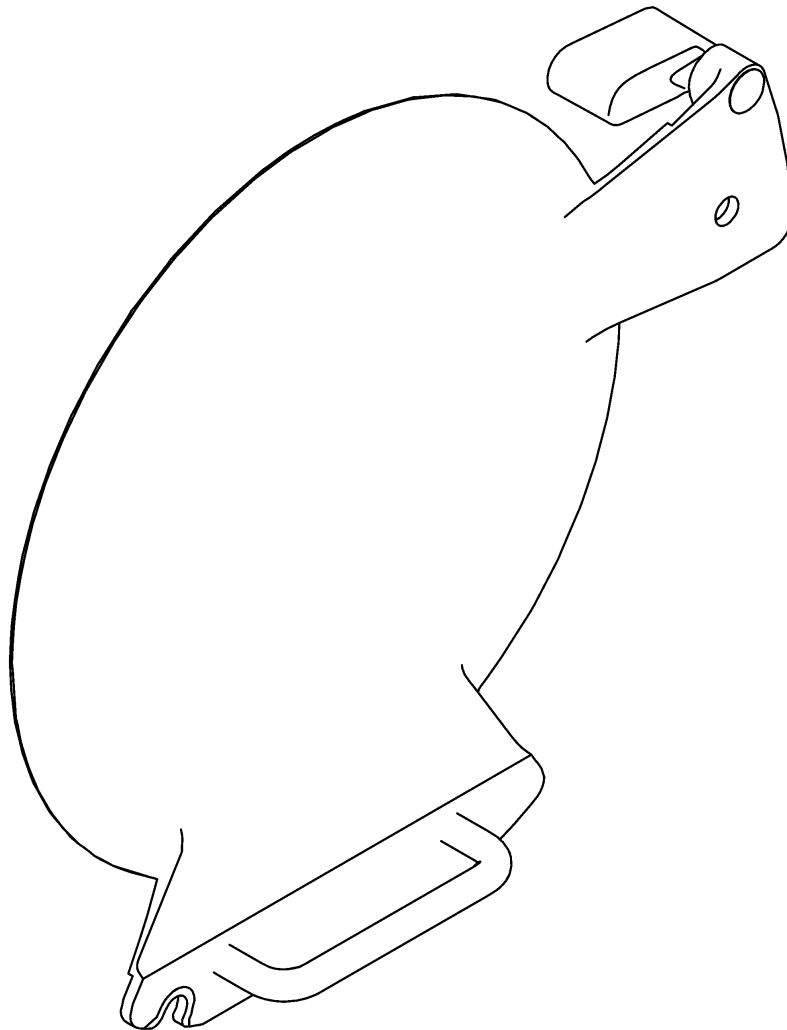
available for order
Wear part
Recomm. sp. part
Metr. relevance

Material No.	Qty	Material description
<a href="#">38139179000</a>	1	Blade cover cpl.

# Blade cover



**38140910000**

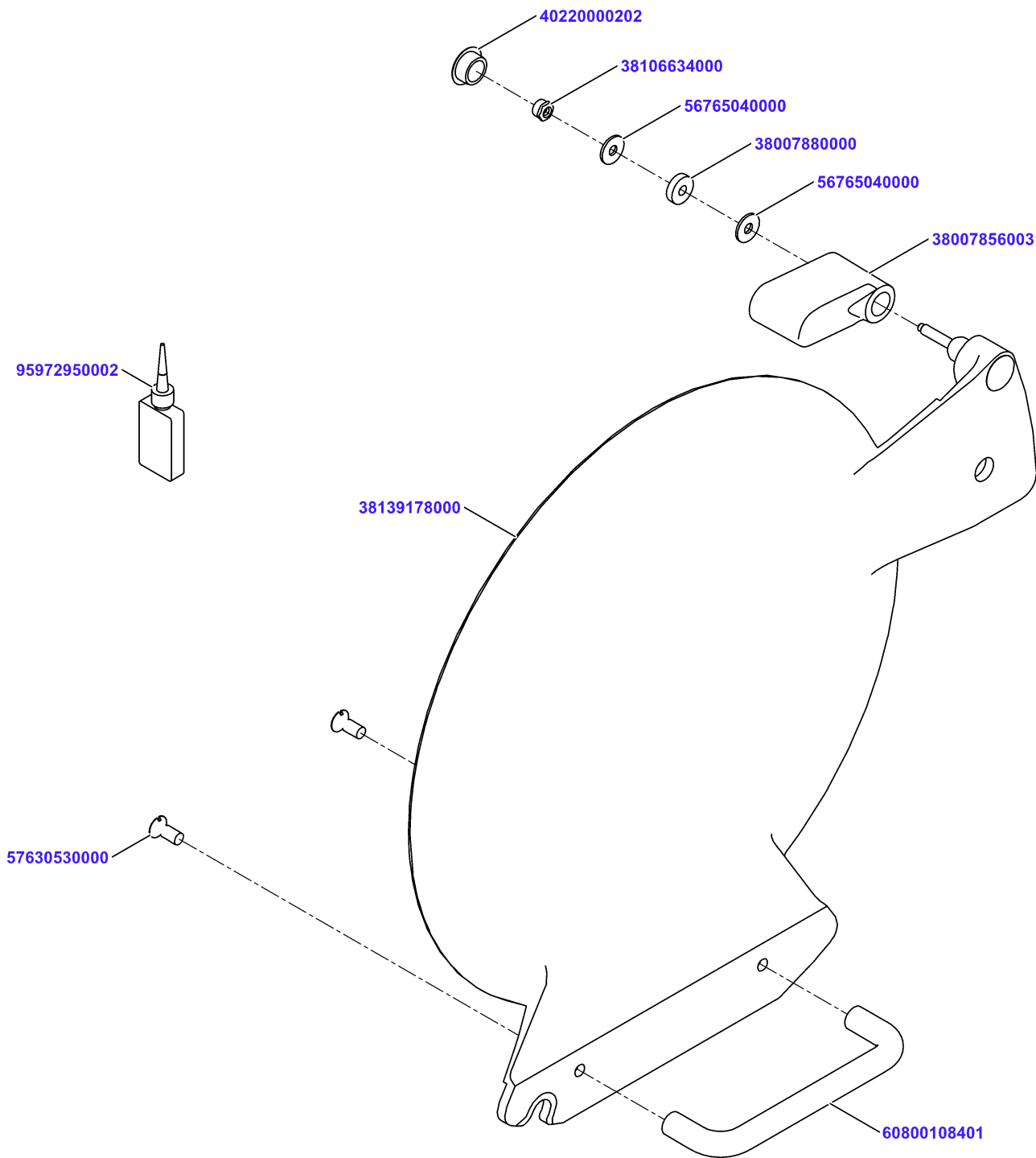


# Blade cover










available for order
Wear part
Recomm. sp. part
Metr. relevance

Material No.	Qty	Material description
<a href="#">38140910000</a>	1	Blade cover cpl. C

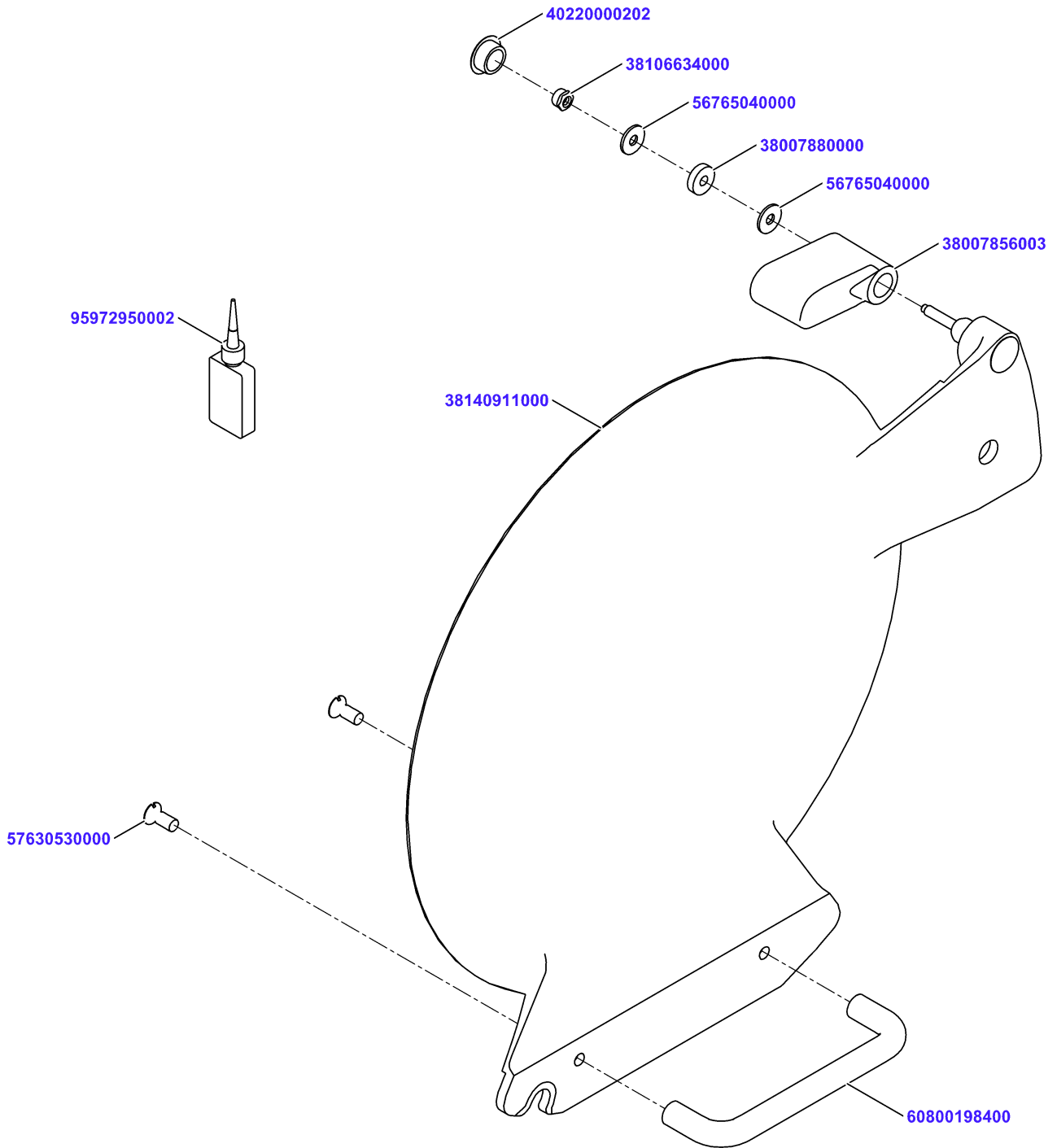
# Blade cover cpl.












## Blade cover cpl.

Material No.	Qty	Material description	available for order	Wear part	Recomm. sp. part	Metr. relevance
<a href="#">38139178000</a>	1	Blade Cover preass				
<a href="#">38007856003</a>	1	Latch 17x50,5x30,4				
<a href="#">38007880000</a>	1	washer				
<a href="#">56765040000</a>	2	Washer DIN9021-4-A2				
<a href="#">38106634000</a>	1	Lock nut ISO10511-M4-A4				
<a href="#">40220000202</a>	1	Plug Black 16x6,5x12,2 Knurled				
<a href="#">60800108401</a>	1	Bracket handle 100 x 32 x 10				
<a href="#">57630530000</a>	2	Countersunk screw DIN963 M5x12-A2-70				
<a href="#">95972950002</a>	0,001	Loctite 243 50 ml				

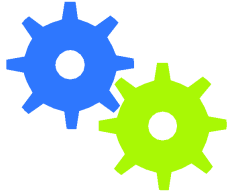
# Blade cover cpl. C



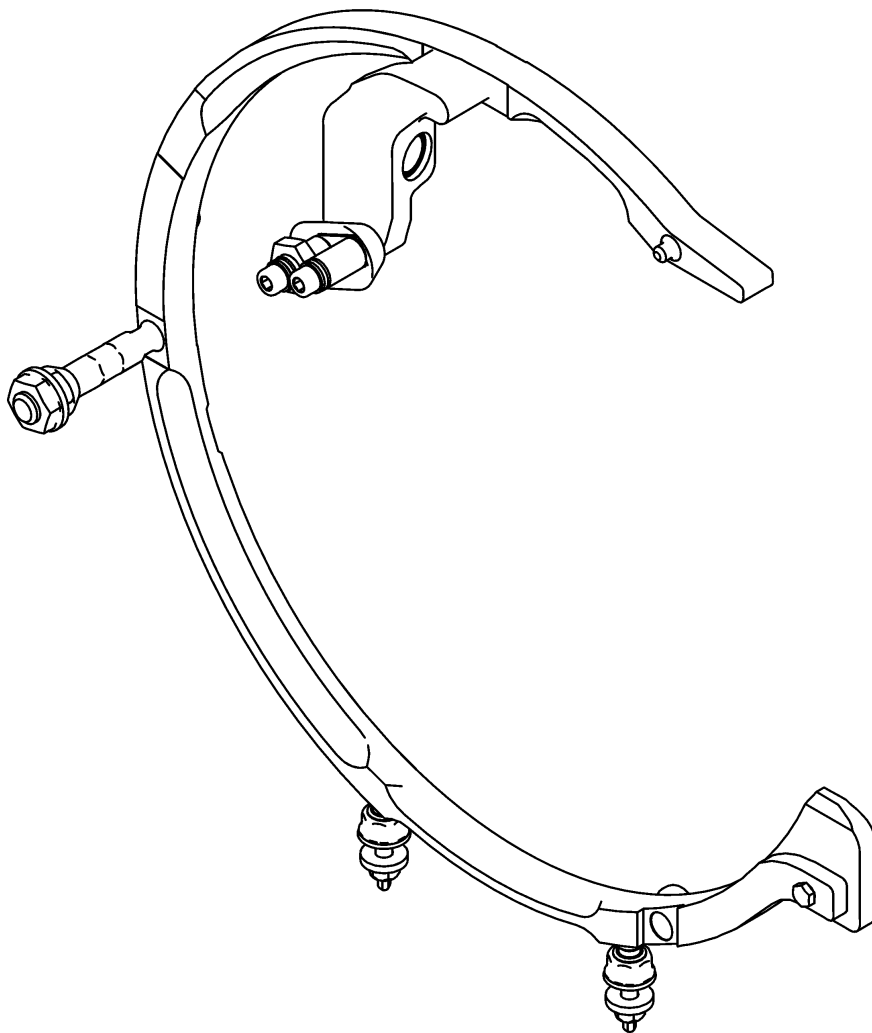
## Blade cover cpl. C

Material No.	Qty	Material description	available for order	Wear part	Recomm. sp. part	Metr. relevance
<a href="#">38140911000</a>	1	Blade Cover preass C				
<a href="#">38007856003</a>	1	Latch 17x50,5x30,4				
<a href="#">38007880000</a>	1	washer				
<a href="#">56765040000</a>	2	Washer DIN9021-4-A2				
<a href="#">38106634000</a>	1	Lock nut ISO10511-M4-A4				
<a href="#">40220000202</a>	1	Plug Black 16x6,5x12,2 Knurled				
<a href="#">60800198400</a>	1	Bracket handle C 100 x 32 x 10				
<a href="#">57630530000</a>	2	Countersunk screw DIN963 M5x12-A2-70				
<a href="#">95972950002</a>	0,001	Loctite 243 50 ml				

# Blade guard ring + Deflector



**38133194000**



## Blade guard ring + Deflector

Material No.	Qty	Material description
--------------	-----	----------------------

<a href="#">38133194000</a>	1	Blade Guard Ring cpl
-----------------------------	---	----------------------

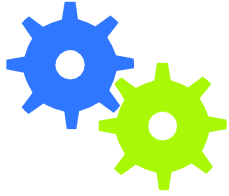
available for order

Wear part

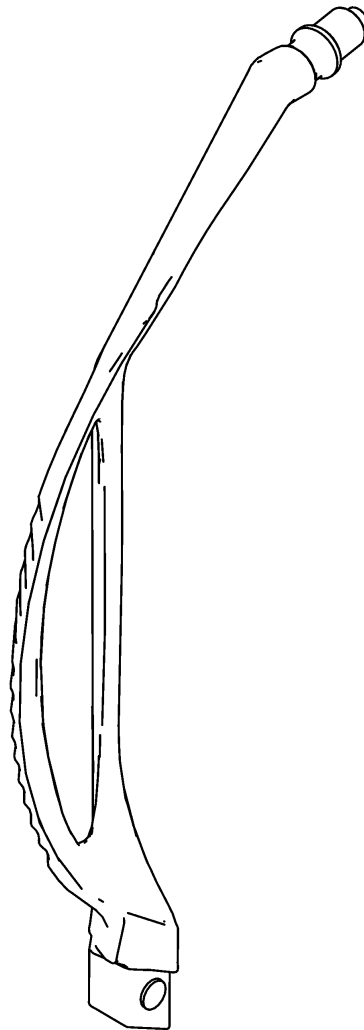
Recomm. sp. part

Metr. relevance

## Blade guard ring + Deflector



**38134781000**



# Blade guard ring + Deflector

**Material No.**    **Qty**    **Material description**

[38134781000](#)    1    Deflector preass

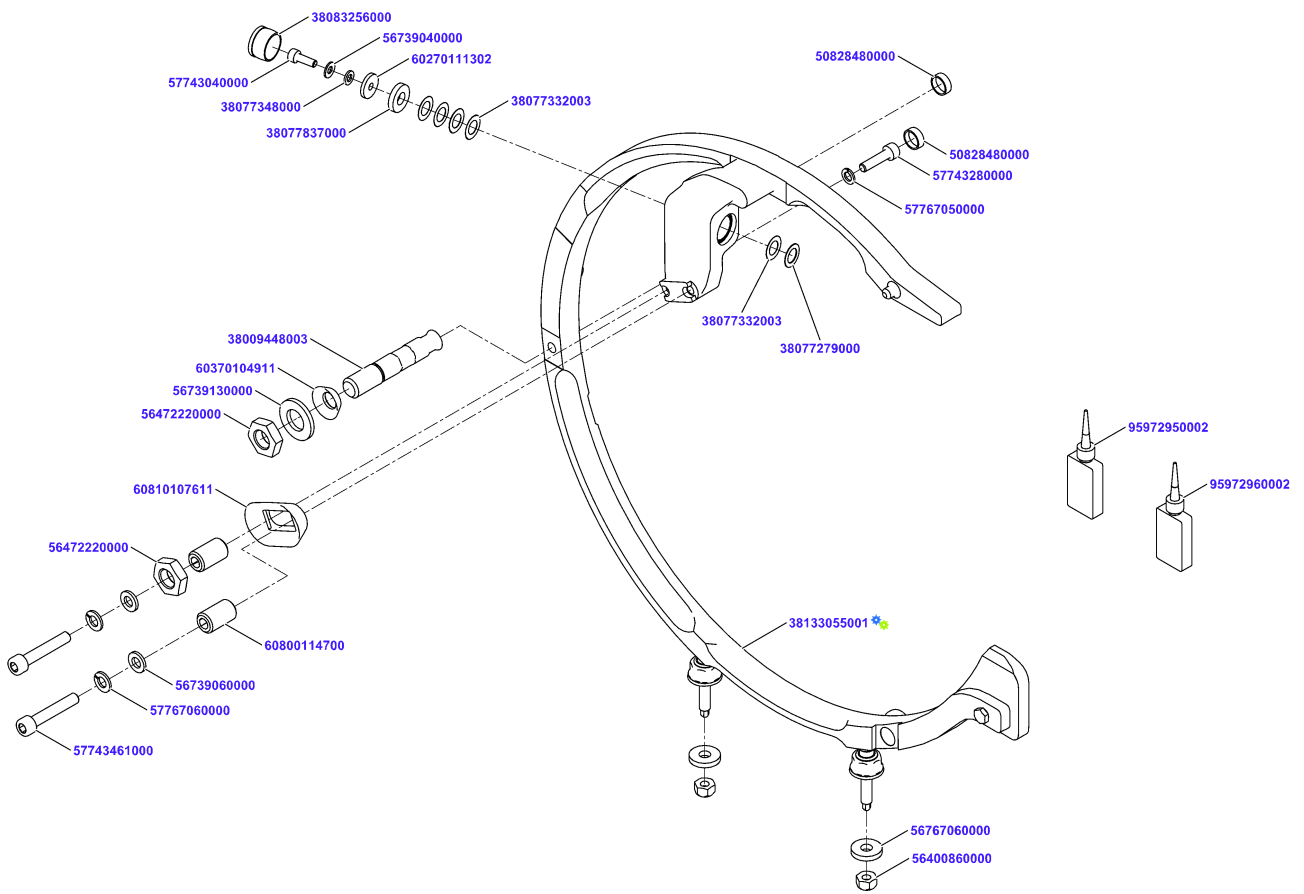
available for order

Wear part

Recomm. sp. part

Metr. relevance

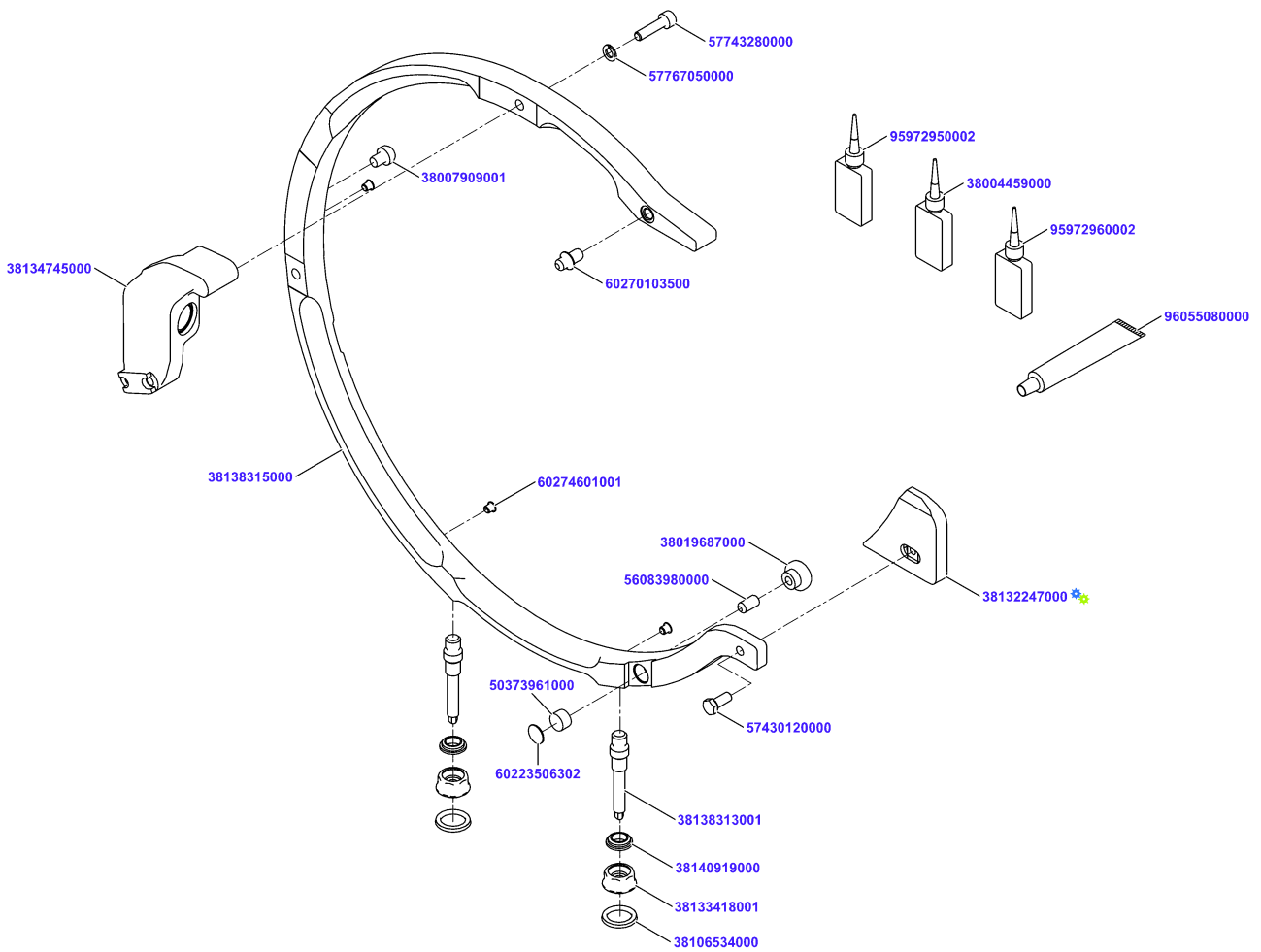
# Blade Guard Ring cpl



# Blade Guard Ring cpl

Material No.	Qty	Material description	available for order	Wear part	Recomm. sp. part	Metr. relevance
60800114700	2	set screw	✓			
56472220000	1	Hexagon nut DIN439-M12x1-A2	✓			
60810107611	1	Sealing	✓		✓	
57743461000	2	Cylinder screw DIN912 M6x35-A2-70	✓			
56739060000	2	Washer DIN125-A-6-A2	✓			
57767060000	2	Spring lock washer DIN128-A6-FSt	✓			
38009448003	1	Distance Bolt 10/12x65,5 M12x1-M5	✓			
60370104911	1	Sealing	✓		✓	
56472220000	1	Hexagon nut DIN439-M12x1-A2	✓			
56739130000	1	Washer DIN125-A-12-A2	✓			
38133055001	1	Blade Guard Ring preass	✓			
56767060000	2	Washer DIN7349-6-St	✓			
56400860000	2	Lock nut DIN985-M6-A2	✓			
57743280000	1	Cylinder screw DIN912 M5x20-A2-70	✓			
57767050000	1	Spring lock washer DIN128-A5-FSt	✓			
50828480000	2	Protective Plug 11.12249 PE-LD	✓			
38077332003	1	Thrusted washer 13,8x8,2x0,18	✓			
38077279000	1	Disk	✓			
38077332003	4	Thrusted washer 13,8x8,2x0,18	✓			
38077837000	1	Brake Pulley	✓			
60270111302	1	Washer	✓			
38077348000	1	Disk	✓			
56739040000	1	Washer DIN125-A 4.3-A2-70	✓			
57743040000	1	Cylinder screw DIN912 M4x12-A2-70	✓			
95972950002	0,001	Loctite 243 50 ml	✓			
95972960002	0,001	Loctite 7649 500ml	✓			
38083256000	1	Protective plug 17,1x16,2x8-PE	✓			

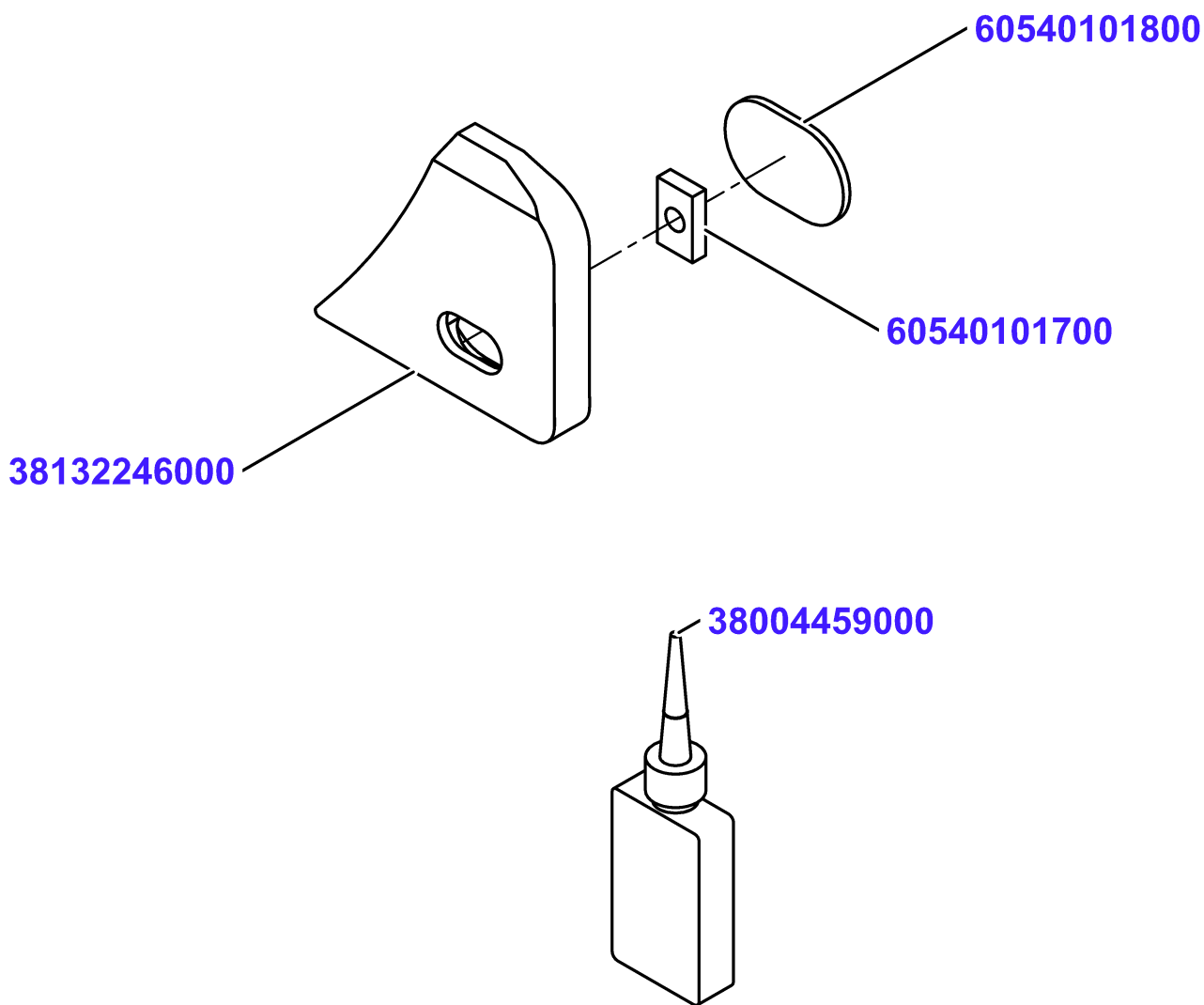
# Blade Guard Ring preass



# Blade Guard Ring preass





Material No.	Qty	Material description	available for order	Wear part	Recomm. sp. part	Metr. relevance
38138315000	1	Blade Guard Ring	✓			
38132247000	1	Product supporter cpl				
57430120000	1	Hexagon screw DIN933 M5x12 A2-70	✓			
95972950002	0,001	Loctite 243 50 ml	✓			
38019687000	1	Location bolt HD 16x10,9 K	✓			
56083980000	1	Set screw DIN916 M6x12-A2-70	✓			
38004459000	0,001	Loctite 648	✓			
38007909001	1	Fixing bolt	✓			
60274601001	3	Bolt PA - 4,1x4,5	✓			
60270103500	1	pin	✓			
50373961000	1	Disc magnet 10x6	✓			
60223506302	1	cover 11x0,5	✓			
95972870002	0,001	Loctite 638	✓			
95972960002	0,001	Loctite 7649 500ml	✓			
38138313001	2	Locking bolt	✓			
38004459000	0,001	Loctite 648	✓			
38133418001	2	Adjusting sleeve	✓			
38106534000	2	Seal ring 18x14x2	✓			
38140919000	2	Seal ring 14x8x5.1	✓			
96055080000	0,001	Kluebersynth UH1 64-62/25kg	✓			
38134745000	1	Mounting preass	✓			
57767050000	1	Spring lock washer DIN128-A5-FSt	✓			
57743280000	1	Cylinder screw DIN912 M5x20-A2-70	✓			
95972950002	0,001	Loctite 243 50 ml	✓			

# Product supporter cpl

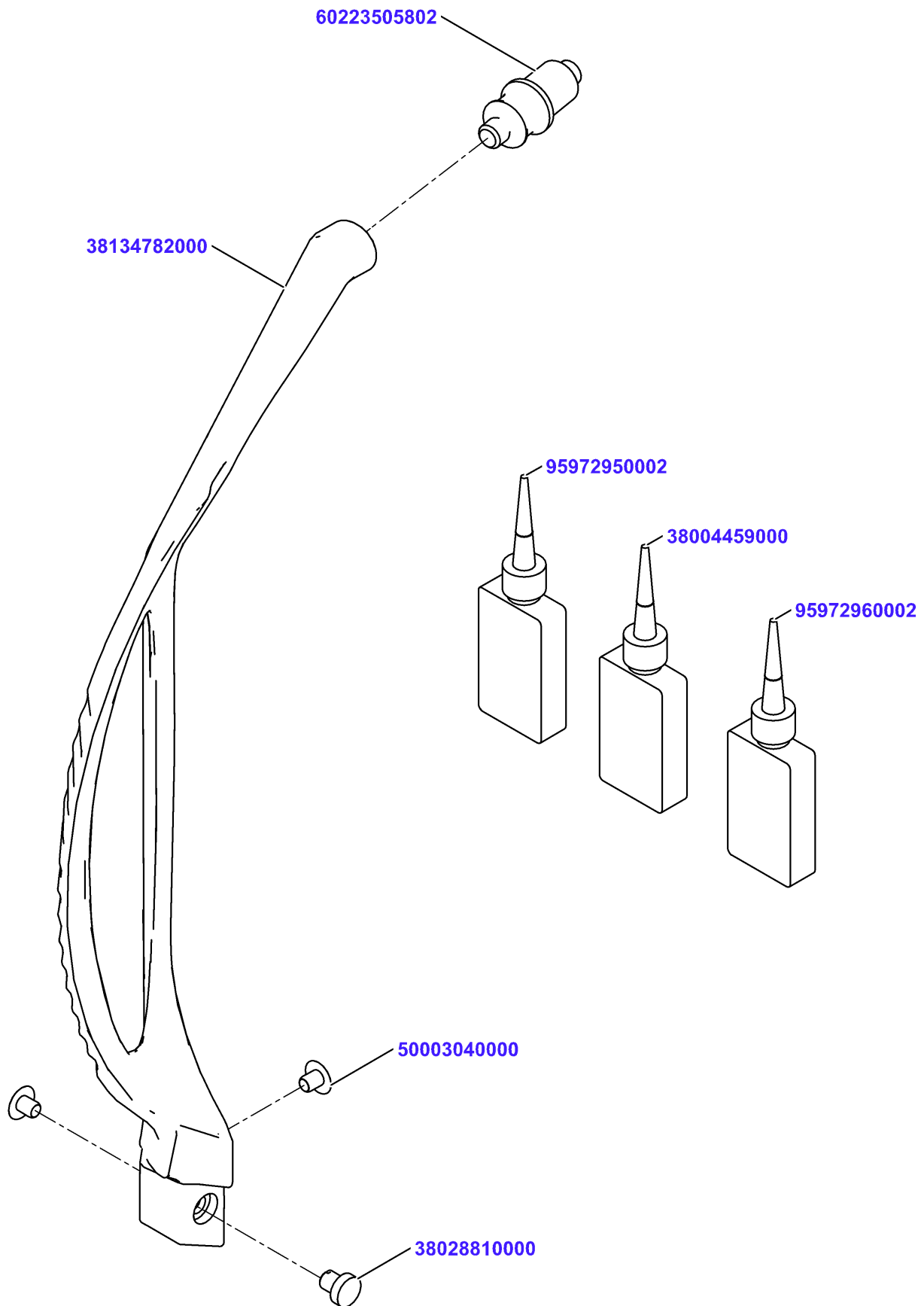


# Product supporter cpl

Material No.	Qty	Material description
<a href="#">38132246000</a>	1	Product supporter
<a href="#">60540101700</a>	1	nut
<a href="#">60540101800</a>	1	Cover
<a href="#">38004459000</a>	0,001	Loctite 648

available for order	Wear part	Recomm. sp. part	Metr. relevance
			
			
			
			

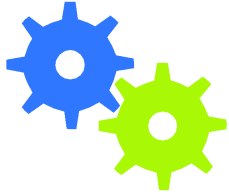
# Deflector preass



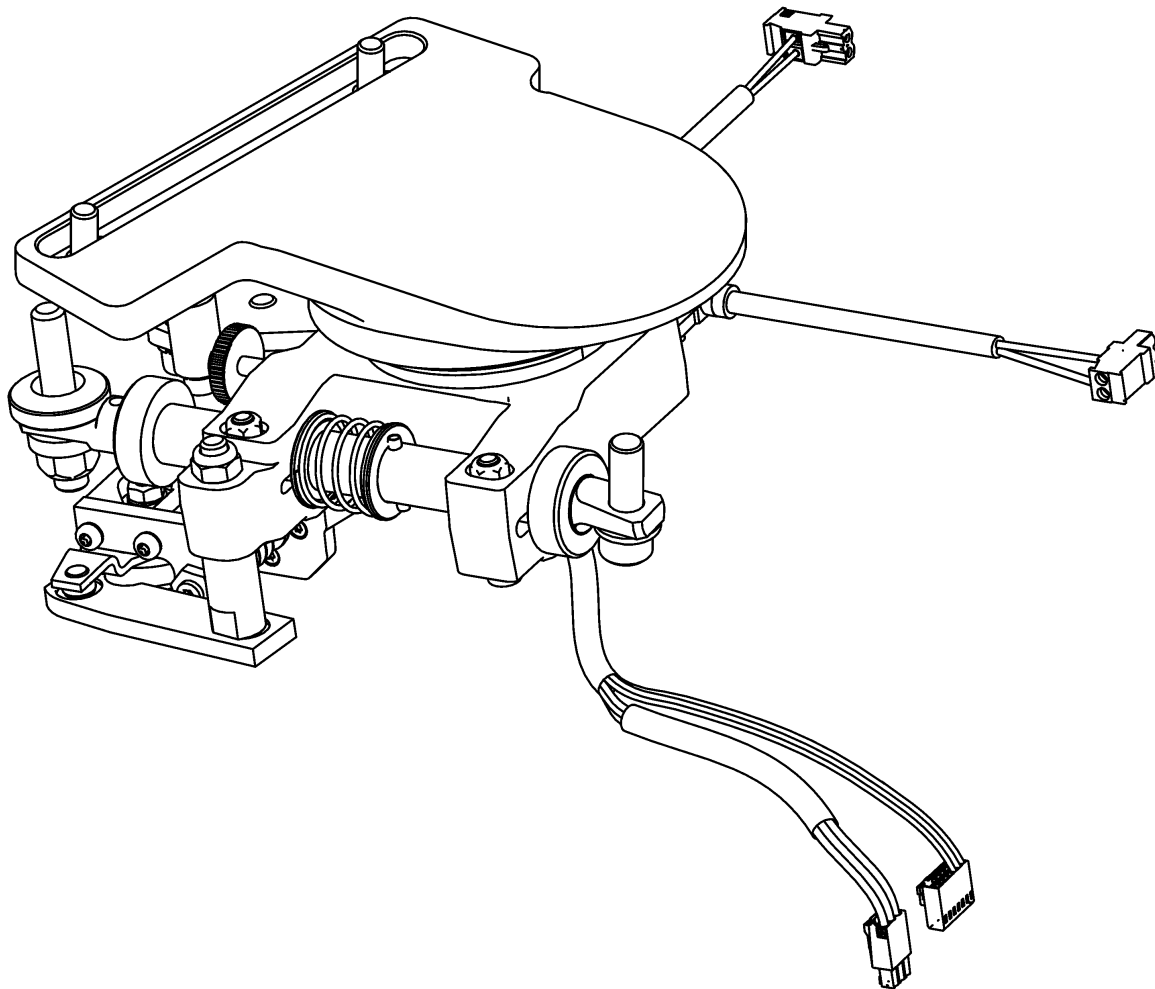
## Deflector preass

Material No.	Qty	Material description	available for order	Wear part	Recomm. sp. part	Metr. relevance
<a href="#">38134782001</a>	1	Deflector 330 machined	✓			
<a href="#">60223505802</a>	1	Bearing Bolt	✓			
<a href="#">38004459000</a>	0,001	Loctite 648	✓			
<a href="#">95972960002</a>	0,001	Loctite 7649 500ml	✓			
<a href="#">38028810000</a>	1	adjusting bolt	✓			
<a href="#">95972950002</a>	0,001	Loctite 243 50 ml	✓			
<a href="#">50003040000</a>	2	Protective plug 11x5x6-PE	✓		✓	

# Gauge plate drive



**38064470008**

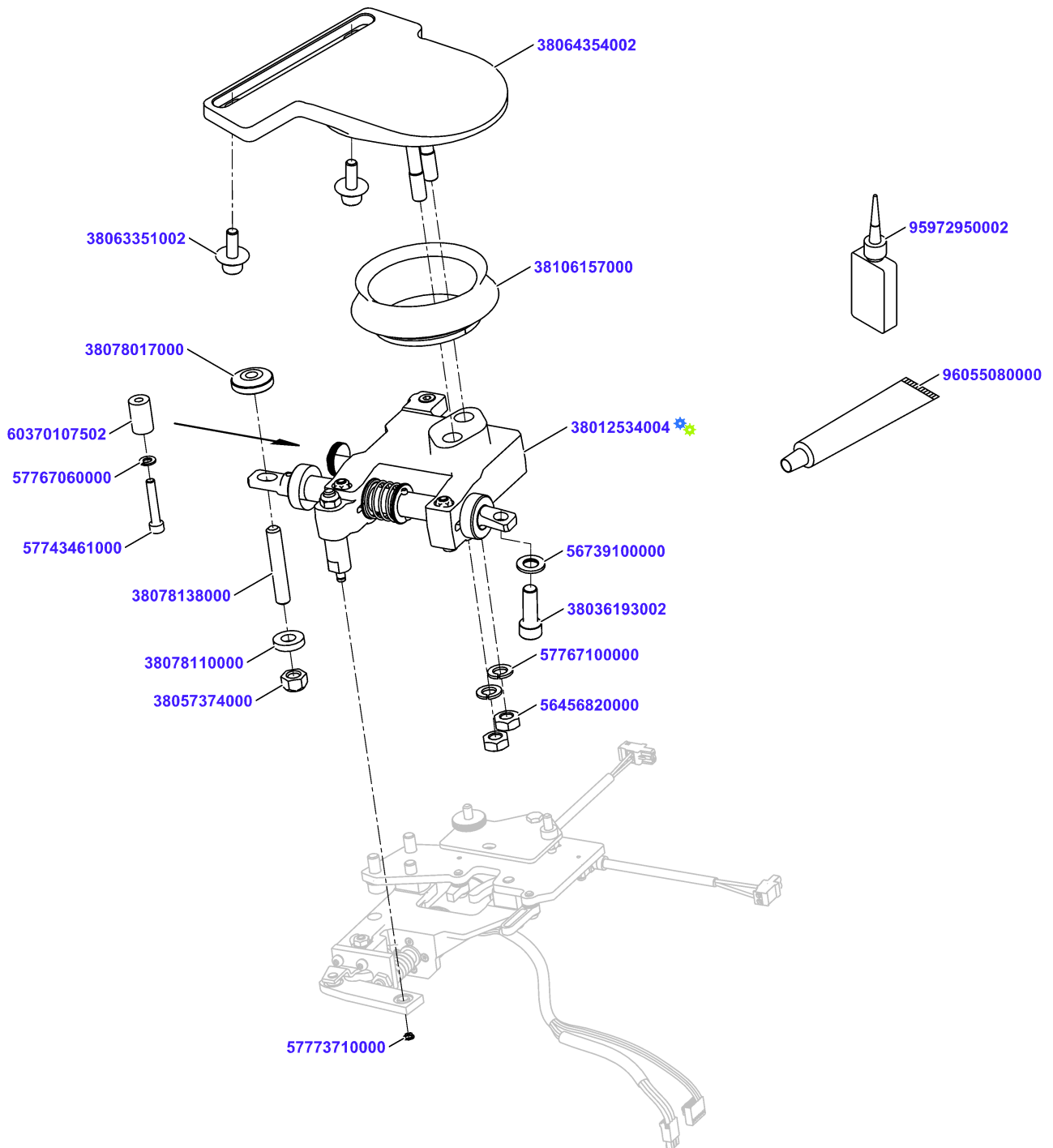


# Gauge plate drive

Material No.	Qty	Material description
<a href="#">38064470008</a>	1	Gauge plate drive VSI cpl

available for order
Wear part
Recomm. sp. part
Metr. relevance

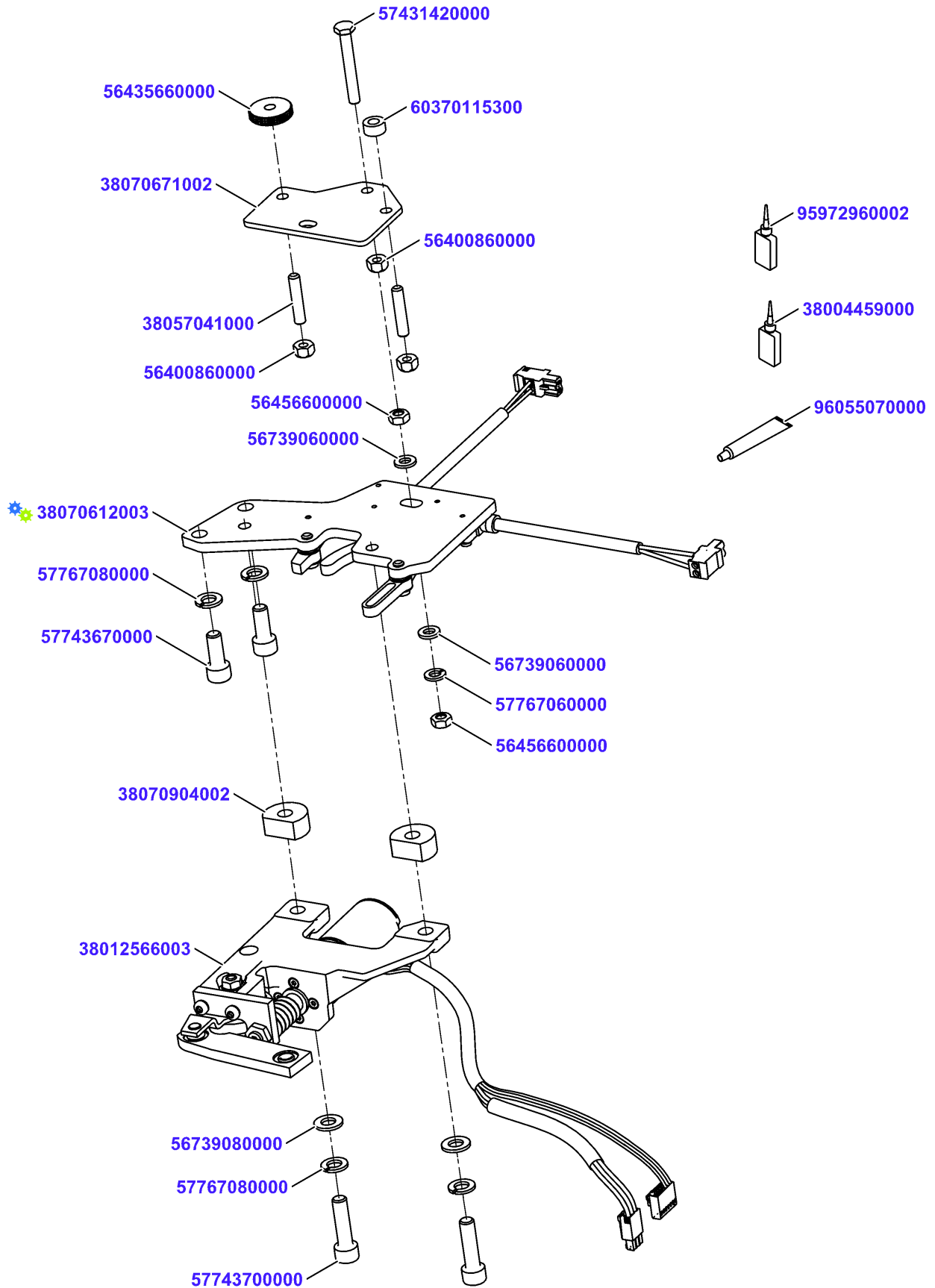
# Gauge plate drive VSI cpl



# Gauge plate drive VSI cpl

Material No.	Qty	Material description	available for order	Wear part	Recomm. sp. part	Metr. relevance
<a href="#">38078138000</a>	1	Set screw ISO4026 M10x60	✓			
<a href="#">38078017000</a>	1	Knurled Nut M10	✓			
<a href="#">60370107502</a>	1	spacer	✓			
<a href="#">57743461000</a>	1	Cylinder screw DIN912 M6x35-A2-70	✓			
<a href="#">57767060000</a>	1	Spring lock washer DIN128-A6-FSt	✓			
<a href="#">38064354002</a>	1	Gauge plate base preass	✓			
<a href="#">38106157000</a>	1	Sealing Gauge Plate with Stiffening Ring	✓		✓	
<a href="#">96055080000</a>	0,001	Kluebersynth UH1 64-62/25kg	✓			
<a href="#">38012534004</a>	1	Bearing bracket cpl	✓			
<a href="#">38078110000</a>	1	Washer	✓			
<a href="#">38057374000</a>	1	Hexagon nut ISO7042-M10-St	✓			
<a href="#">38036193002</a>	1	Cylinder screw DIN912 M10x30-A2-70	✓			
<a href="#">56739100000</a>	1	Washer DIN125-A-10-A2	✓			
<a href="#">95972950002</a>	0,001	Loctite 243 50 ml	✓			
<a href="#">56456820000</a>	2	Hexagon nut DIN934-M10-A2	✓			
<a href="#">56739100000</a>	2	Washer DIN125-A-10-A2	✓			
<a href="#">57767100000</a>	2	Spring lock washer DIN128-A10-FSt	✓			
<a href="#">57767060000</a>	1	Spring lock washer DIN128-A6-FSt	✓			
<a href="#">57773710000</a>	1	Retaining ring DIN471-6x0,7	✓			
<a href="#">38063351002</a>	2	Screw	✓			

# Gauge plate drive VSI cpl



# Gauge plate drive VSI cpl

Material No.	Qty	Material description	available for order	Wear part	Recomm. sp. part	Metr. relevance
<a href="#">95972960002</a>	0,001	Loctite 7649 500ml	✓			
<a href="#">38004459000</a>	0,001	Loctite 648	✓			
<a href="#">56435660000</a>	1	Knurled nut DIN467-M6-A2	✓			
<a href="#">57767060000</a>	1	Spring lock washer DIN128-A6-FSt	✓			
<a href="#">38070671002</a>	1	Support rail	✓			
<a href="#">96055070000</a>	0,001	Grease PARALIQ GA 343	✓			
<a href="#">60370115300</a>	1	Spacer ring	✓			
<a href="#">56400860000</a>	2	Lock nut DIN985-M6-A2	✓			
<a href="#">56400860000</a>	1	Lock nut DIN985-M6-A2	✓			
<a href="#">38070612003</a>	1	Beam preass	✓			
<a href="#">57743670000</a>	2	Cylinder screw DIN912 M8x20-A2-70	✓			
<a href="#">57767080000</a>	2	Spring lock washer DIN128-A8-A2	✓			
<a href="#">56456600000</a>	2	Hexagon nut DIN934-M6-A2	✓			
<a href="#">56739060000</a>	2	Washer DIN125-A-6-A2	✓			
<a href="#">57767060000</a>	1	Spring lock washer DIN128-A6-FSt	✓			
<a href="#">38012566003</a>	1	Motoric Slicing Thickness Adjustment VSI	✓		✓	
<a href="#">38070904002</a>	2	Spacer	✓			
<a href="#">57743700000</a>	2	Cylinder screw DIN912 M8x30-A2-70	✓			
<a href="#">56739080000</a>	2	Washer DIN125-A-8-A2	✓			
<a href="#">57767080000</a>	2	Spring lock washer DIN128-A8-A2	✓			
<a href="#">38057041000</a>	2	Set screw ISO4026 M6x30-A2-70	✓			

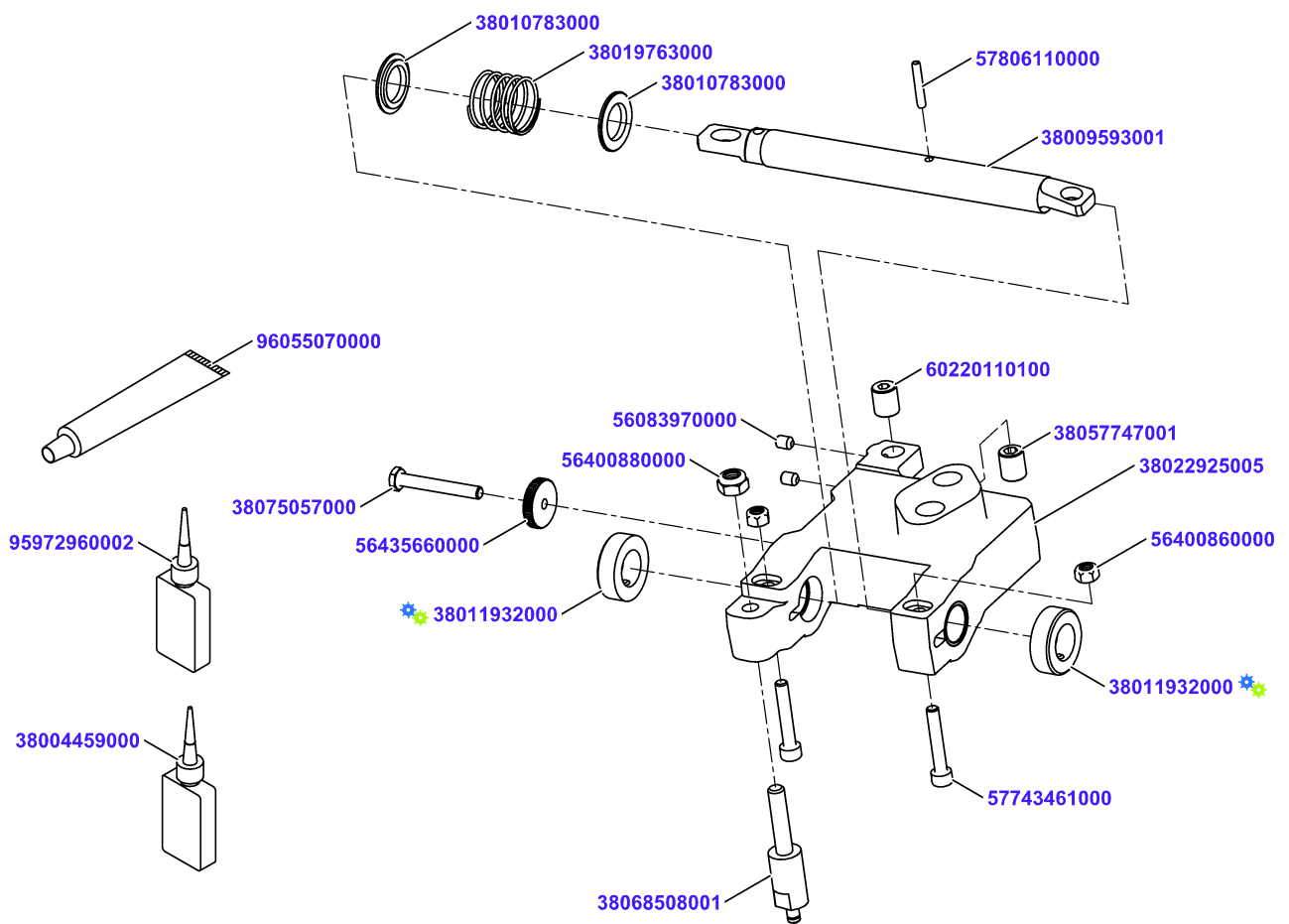
## Gauge plate drive VSI cpl

# Gauge plate drive VSI cpl

Material No.	Qty	Material description
<a href="#">38075057000</a>	1	Hexagon Screw DIN 933 M6x45-A2-70

available for order
Wear part
Recomm. sp. part
Metr. relevance

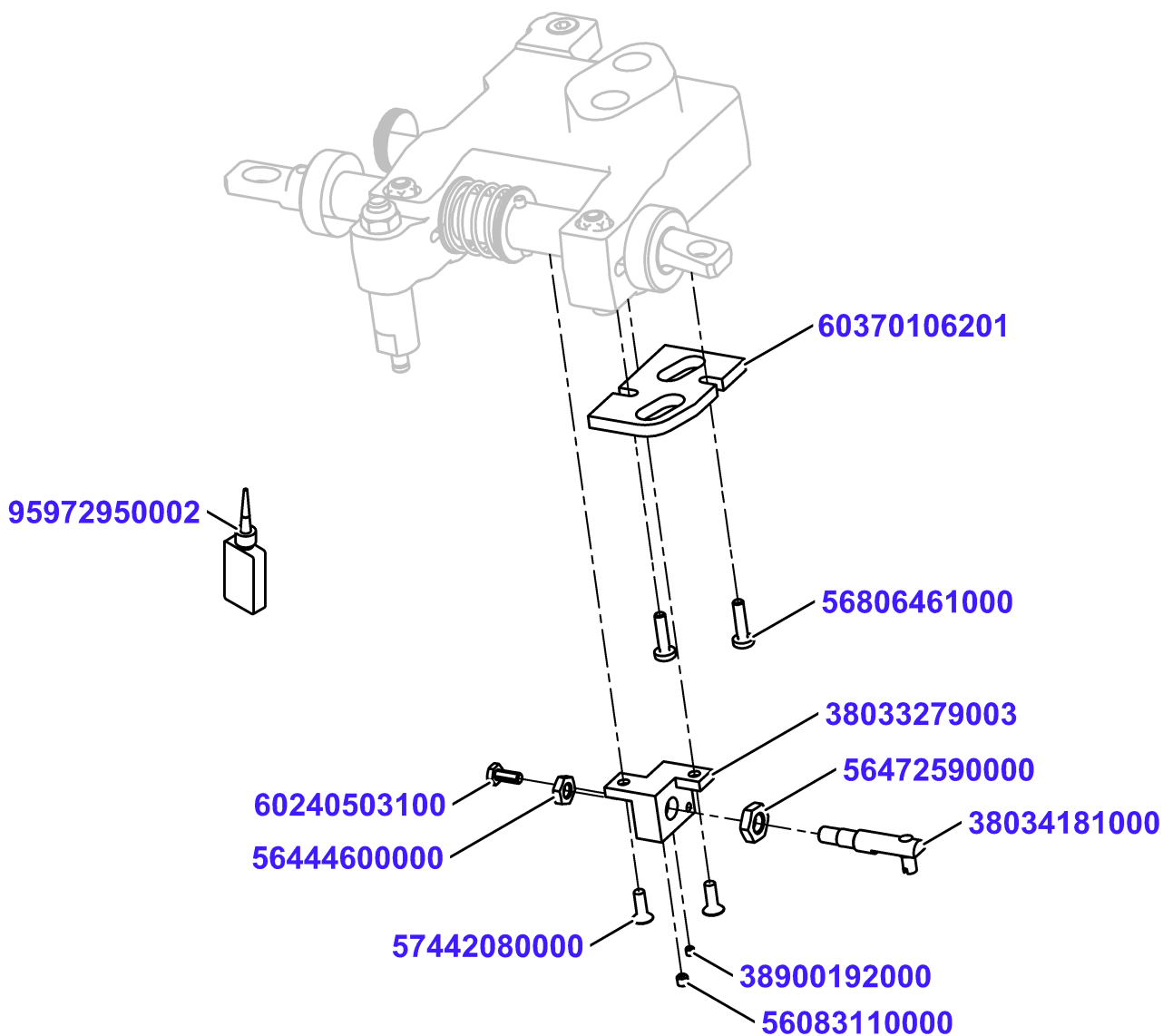
# Bearing bracket cpl



# Bearing bracket cpl

Material No.	Qty	Material description	available for order	Wear part	Recomm. sp. part	Metr. relevance
38022925005	1	Bearing bracket preass	✓			
38009593001	1	Axis	✓			
96055070000	0,001	Grease PARALIQ GA 343	✓			
38011932000	2	adjusting ring 18mm	✓			
38068508001	1	Adaption bolt	✓			
38075057000	1	Hexagon Screw DIN 933 M6x45-A2-70	✓			
56435660000	1	Knurled nut DIN467-M6-A2	✓			
38004459000	0,001	Loctite 648	✓			
95972960002	0,001	Loctite 7649 500ml	✓			
38019763000	1	Comp. spring 28x24,8x68,5x11,65-0,89	✓			
38010783000	2	pressure washer	✓			
57806110000	1	Clamping pin ISO8750-4x24-A2	✓			
56400880000	1	Lock nut DIN985-M8-A2	✓			
56400860000	2	Lock nut DIN985-M6-A2	✓			
57743461000	2	Cylinder screw DIN912 M6x35-A2-70	✓			
96055070000	0,001	Grease PARALIQ GA 343	✓			

# Bearing bracket cpl



## Bearing bracket cpl

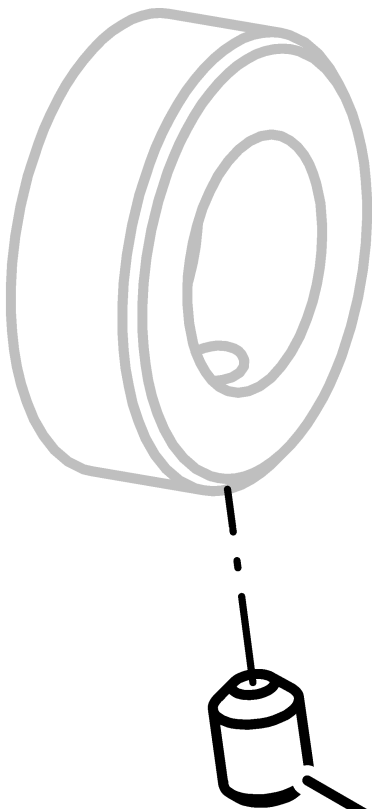
Material No.	Qty	Material description	available for order	Wear part	Recomm. sp. part	Metr. relevance
<a href="#">38033279003</a>	1	Fixing Block				
<a href="#">57442080000</a>	2	Countersunk screw DIN7991 M4x12-A2-70				
<a href="#">95972950002</a>	0,001	Loctite 243 50 ml				
<a href="#">38034181000</a>	1	Driver premounted				
<a href="#">56472590000</a>	1	Hexagon nut DIN439-M8x1-A2				
<a href="#">56444600000</a>	1	Hexagon nut DIN439-M6-A2				
<a href="#">56083110000</a>	1	Set screw ISO4026 M4x4-A2-70				
<a href="#">38900192000</a>	1	Set screw ISO4026 M3x3-A2-70				

## Bearing bracket cpl

# Bearing bracket cpl

Material No.	Qty	Material description	available for order	Wear part	Recomm. sp. part	Metr. relevance
<a href="#">60370106203</a>	1	Supporting plate				
<a href="#">60220110103</a>	1	Threaded Bolt M12x1 x 14				
<a href="#">38057747002</a>	1	Threaded Bolt M12x1x14				
<a href="#">56806460000</a>	2	Oval-head screw DIN7985 M4x16-A2-70				
<a href="#">56081060000</a>	2	Set screw DIN916 M6x8-A2-70				


## adjusting ring 18mm



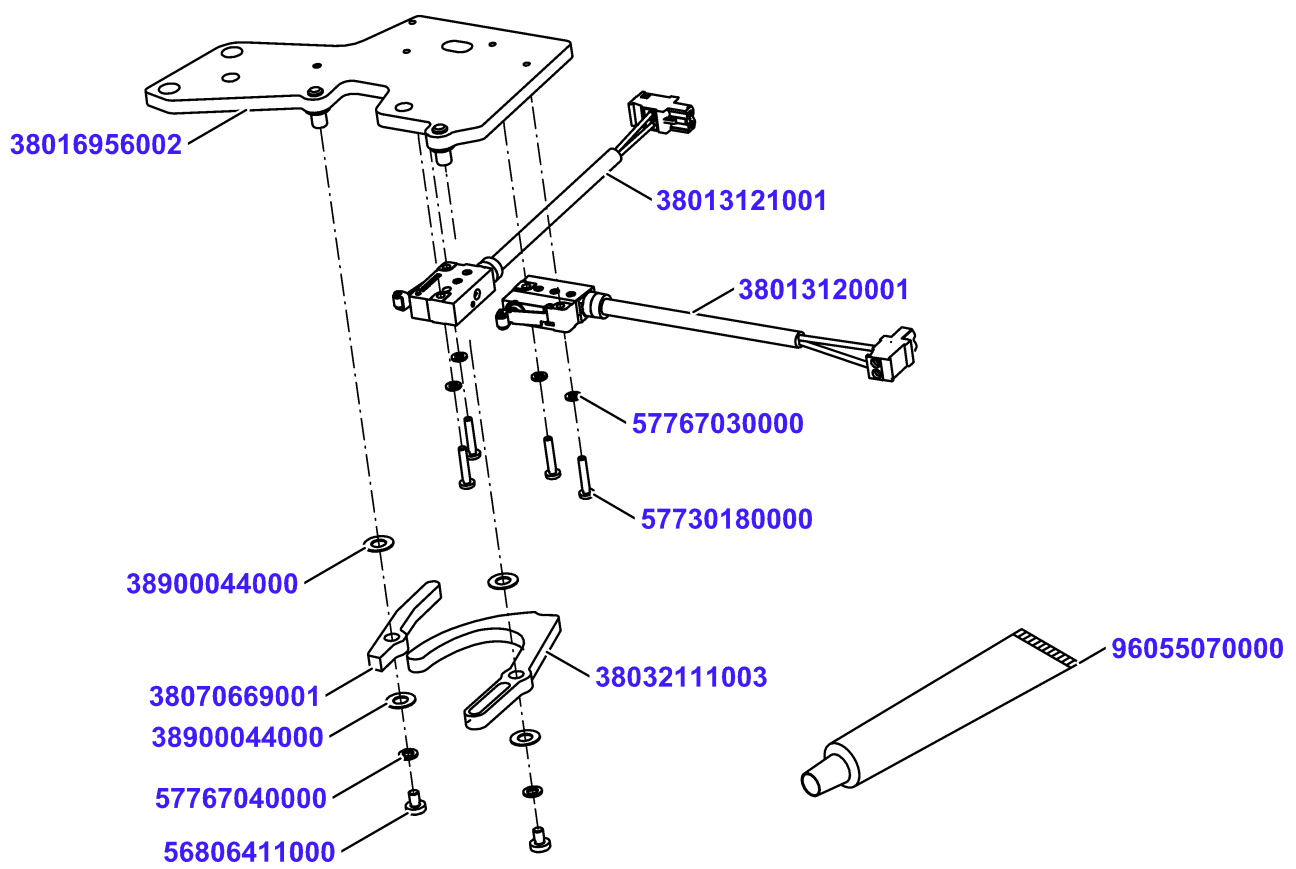
**56081060000**

## adjusting ring 18mm

Material No.	Qty	Material description
<a href="#">56081060000</a>	1	Set screw DIN916 M6x8-A2-70

	available for order
	Wear part
	Recomm. sp. part
	Metr. relevance

# Beam press

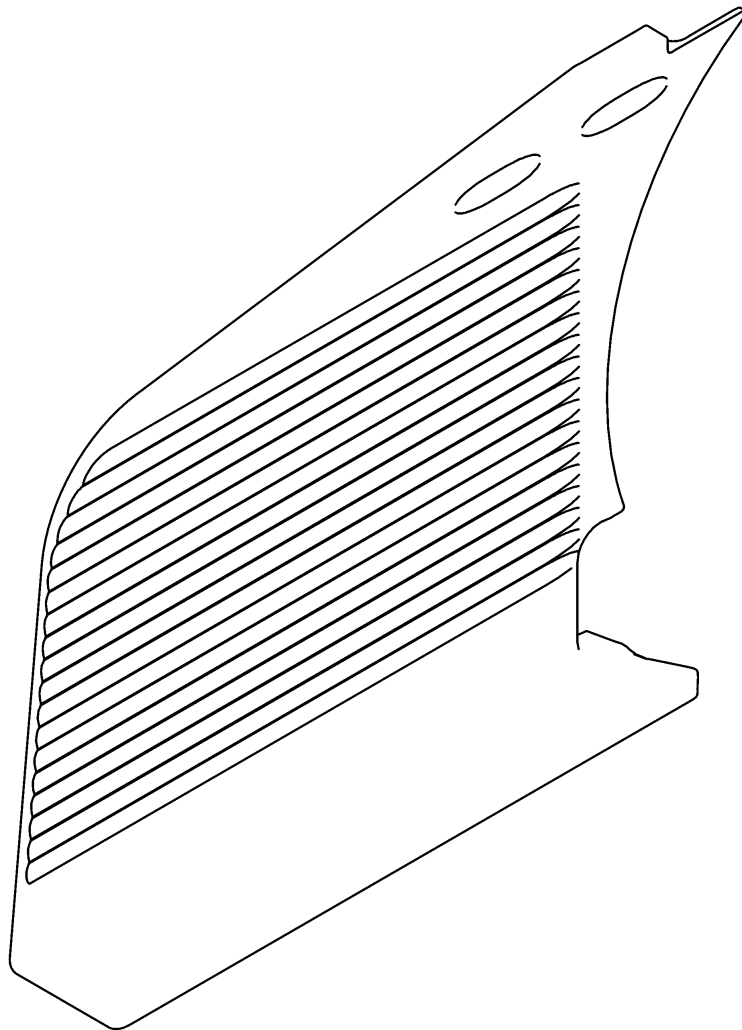


# Beam preass

Material No.	Qty	Material description	available for order	Wear part	Recomm. sp. part	Metr. relevance
<a href="#">38016956002</a>	1	Beam with studs	✓			
<a href="#">96055070000</a>	0,001	Grease PARALIQ GA 343	✓			
<a href="#">38032111003</a>	1	Lever	✓			
<a href="#">56806411000</a>	1	Oval-head screw ISO14583 M4x6-A2-70-T20	✓			
<a href="#">38900044000</a>	2	Shim ring DIN988-6x12x0,5	✓			
<a href="#">57767040000</a>	1	Spring lock washer DIN128-A4-FSt	✓			
<a href="#">38070669001</a>	1	lever	✓			
<a href="#">56806411000</a>	1	Oval-head screw ISO14583 M4x6-A2-70-T20	✓			
<a href="#">38900044000</a>	2	Shim ring DIN988-6x12x0,5	✓			
<a href="#">57767040000</a>	1	Spring lock washer DIN128-A4-FSt	✓			
<a href="#">38013120001</a>	1	switch gauge cleaning assembly	✓		✓	
<a href="#">57730180000</a>	2	Oval-head screw ISO14583 M3x16-A2-70-T10	✓			
<a href="#">57767030000</a>	2	Spring lock washer DIN128-A3-FSt	✓			
<a href="#">38013121001</a>	1	switch gauge sharpen assembly	✓		✓	
<a href="#">57730180000</a>	2	Oval-head screw ISO14583 M3x16-A2-70-T10	✓			
<a href="#">57767030000</a>	2	Spring lock washer DIN128-A3-FSt	✓			

## Gauge plate

**38134061000**



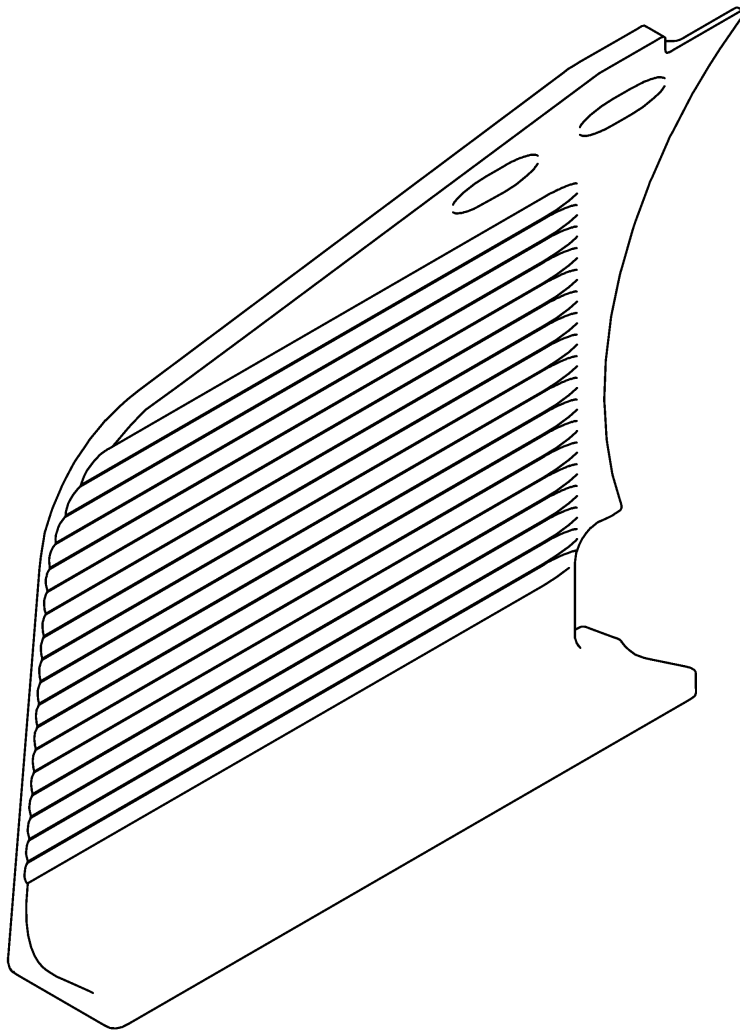
# Gauge plate

available for order
Wear part
Recomm. sp. part
Metr. relevance

Material No.	Qty	Material description
<a href="#">38134061000</a>	1	Gauge plate

## Gauge plate

**38134061002**



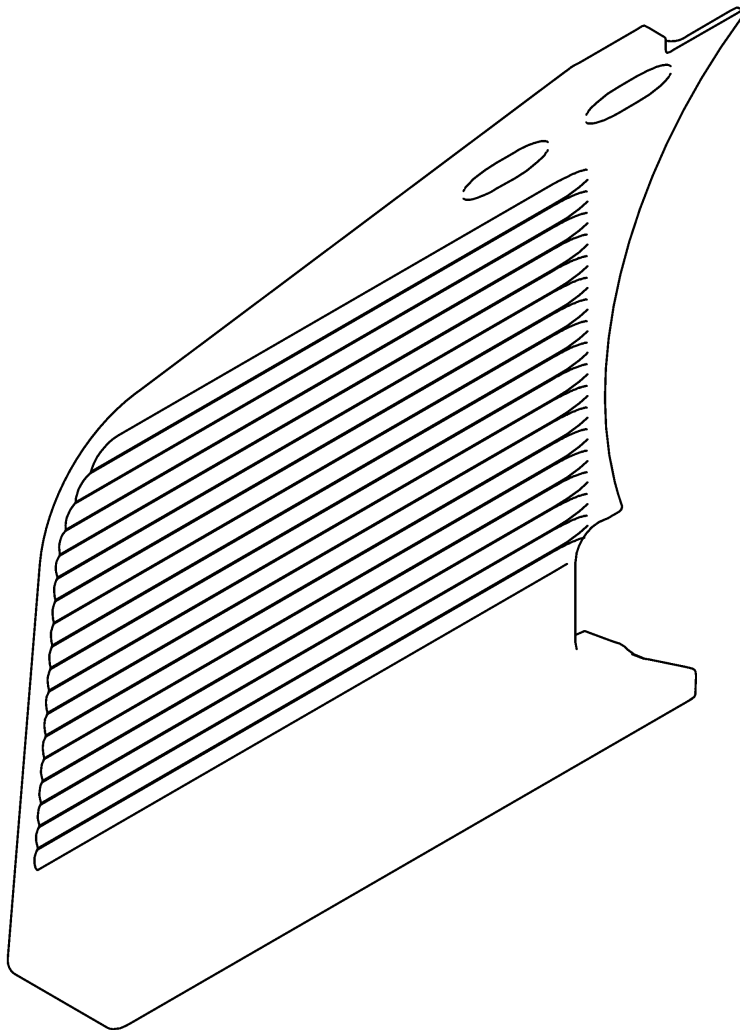
# Gauge plate

available for order
Wear part
Recomm. sp. part
Metr. relevance

Material No.	Qty	Material description
<a href="#">38134061002</a>	1	Gauge plate

## Gauge plate

**38140932000**



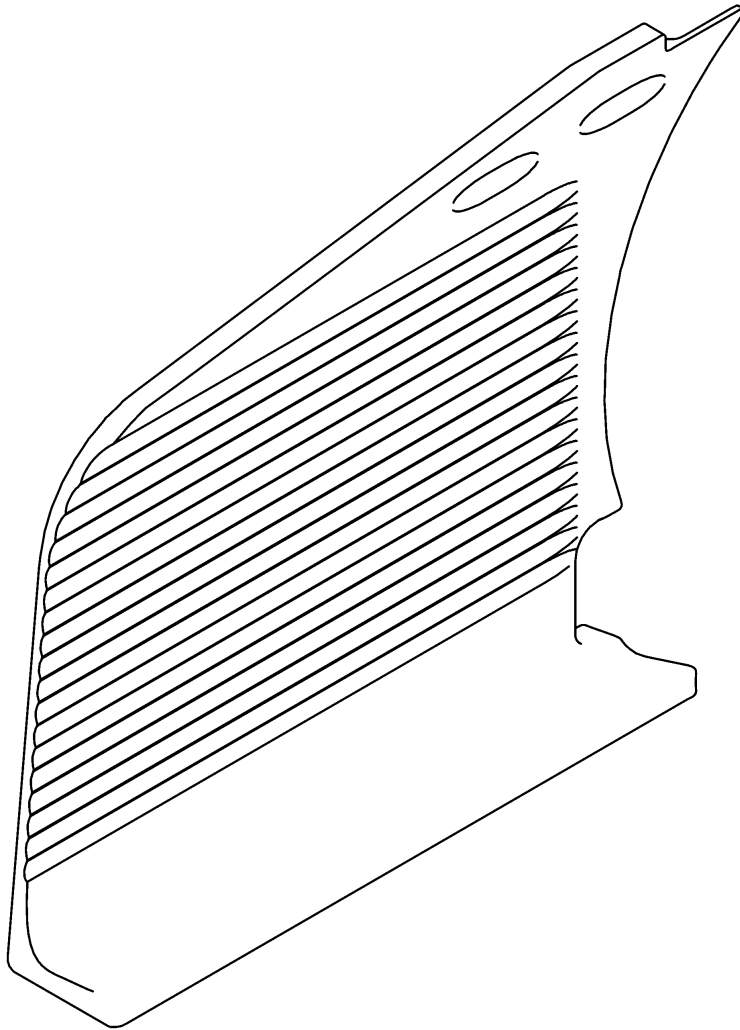
# Gauge plate

available for order
Wear part
Recomm. sp. part
Metr. relevance

Material No.	Qty	Material description
<a href="#">38140932000</a>	1	Gauge plate C


## Gauge plate

**38140932001**

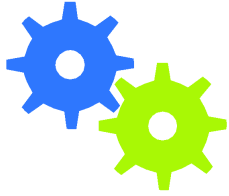


# Gauge plate

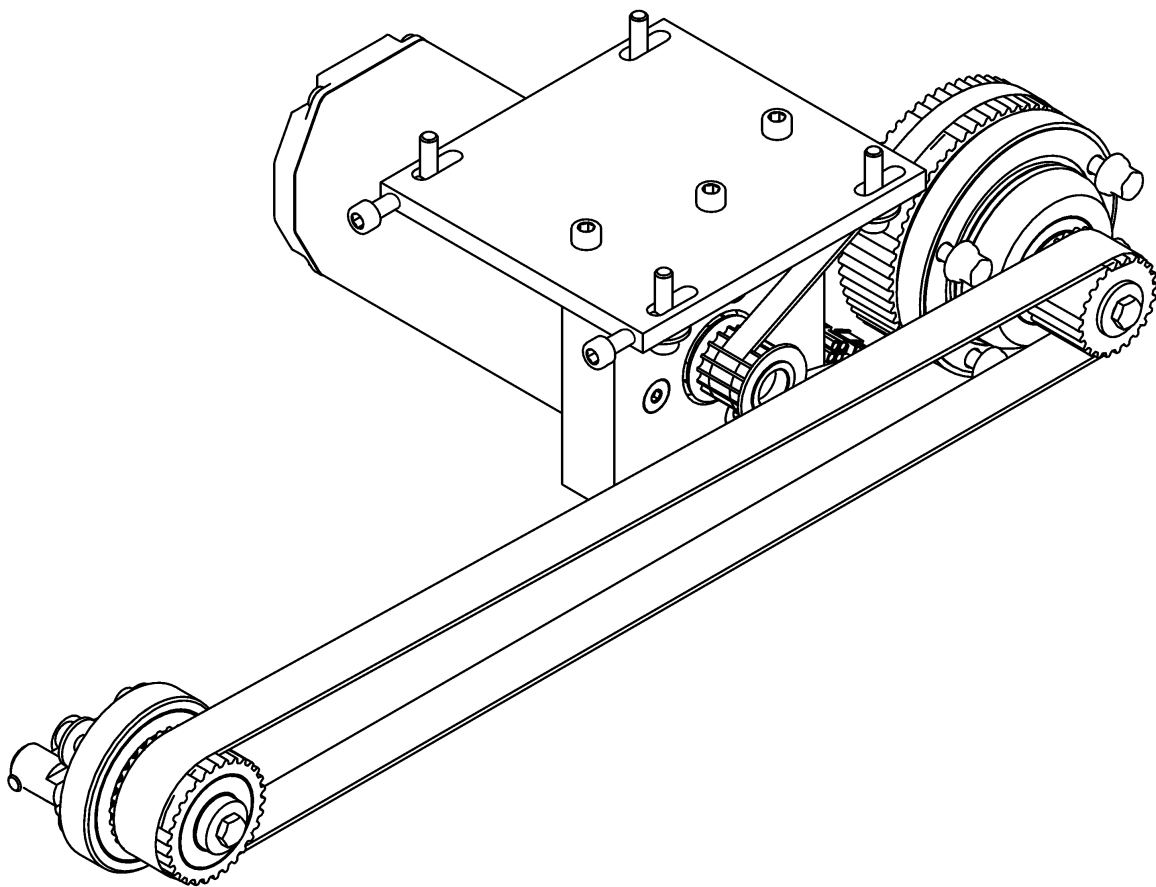
Material No.	Qty	Material description
<a href="#">38140932001</a>	1	Gauge plate C

	available for order
	Wear part
	Recomm. sp. part
	Metr. relevance

# Carriage drive



**38134272000**



# Carriage drive

Material No.	Qty	Material description
<a href="#">38134272000</a>	1	Carriage drive cpl
<a href="#">38134272001</a>	1	Carriage drive VSI cpl.

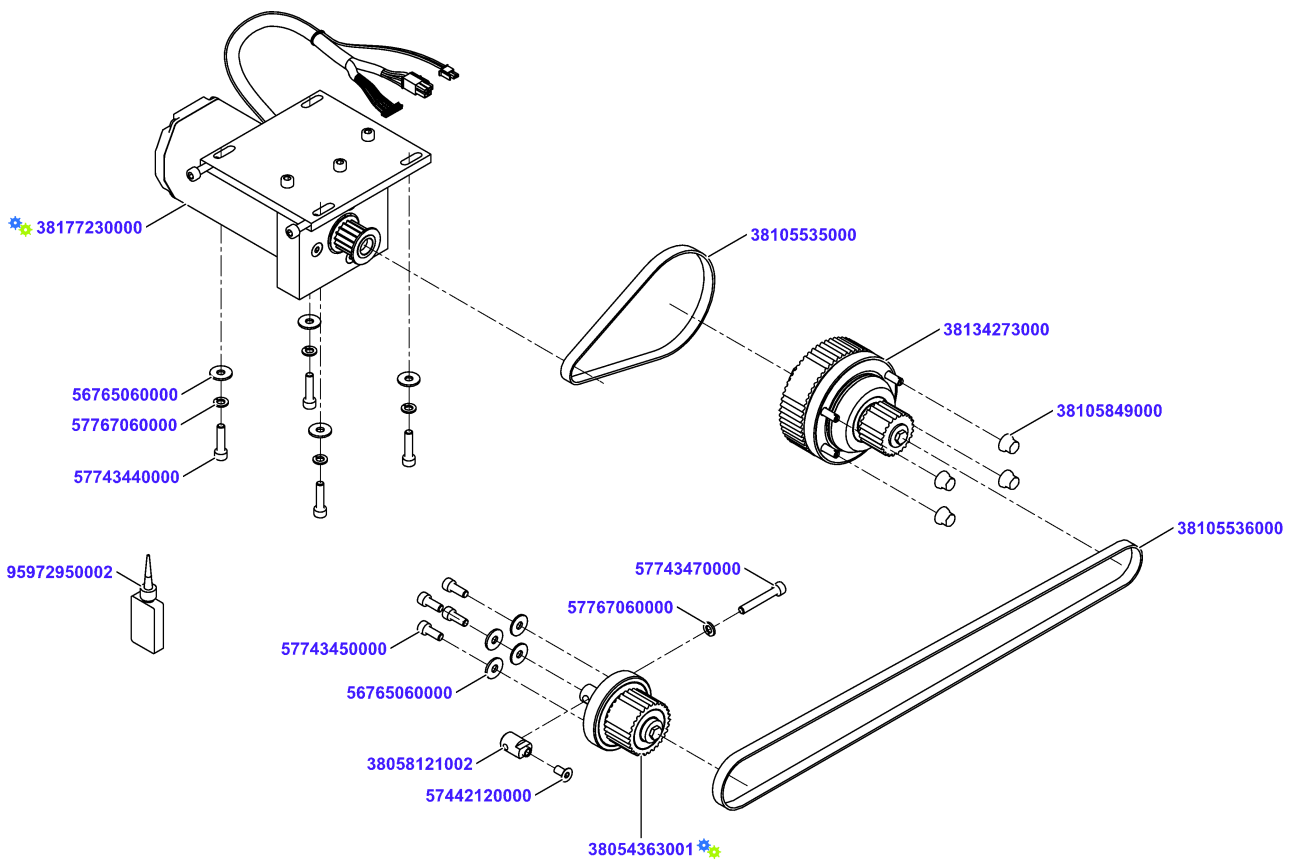
available for order

Wear part

Recomm. sp. part

Metr. relevance

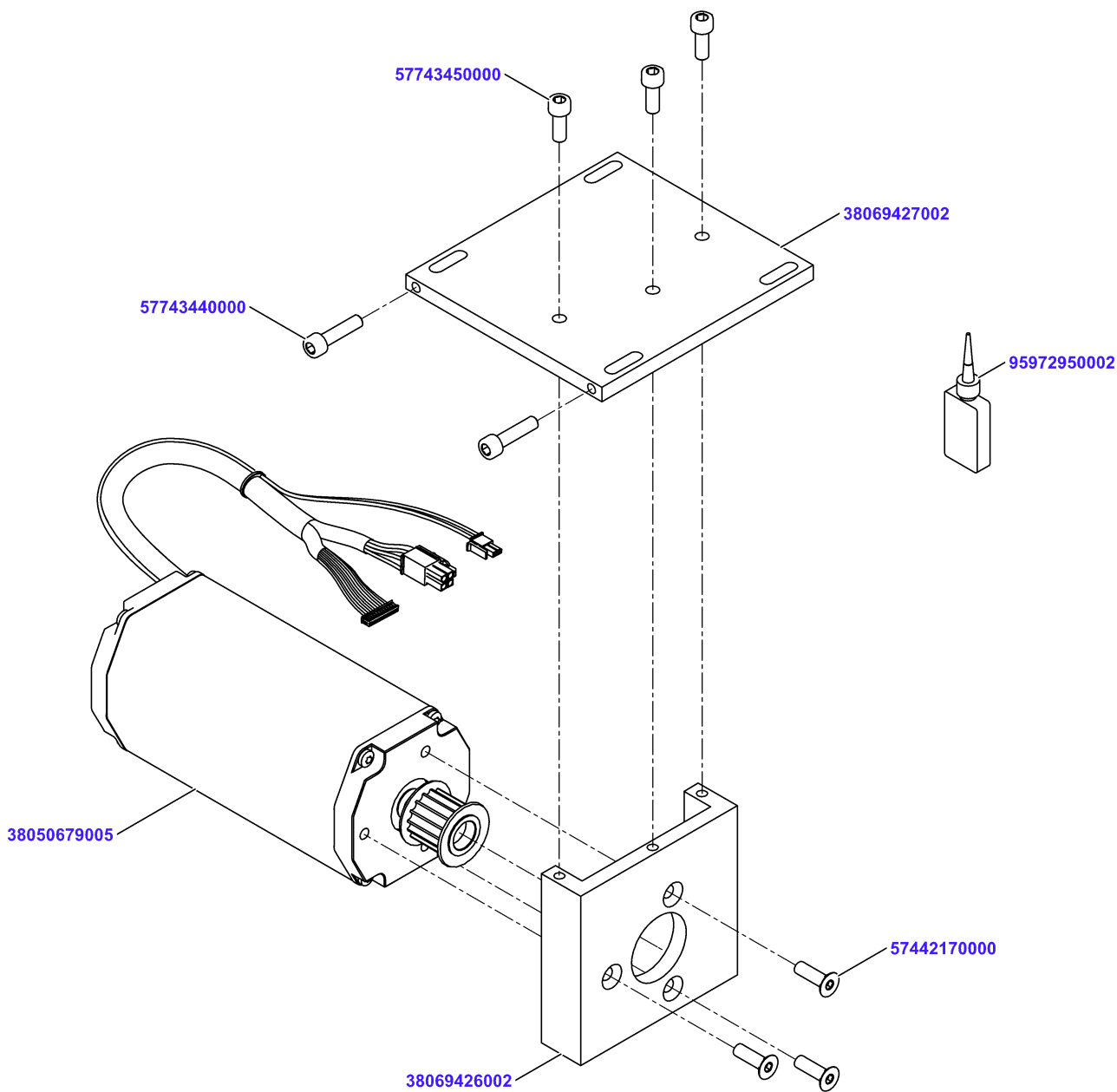
# Carriage drive cpl










## Carriage drive cpl

Material No.	Qty	Material description	available for order	Wear part	Recomm. sp. part	Metr. relevance
<a href="#">57743440000</a>	4	Cylinder screw DIN912 M6x25-A2-70	✓			
<a href="#">57767060000</a>	4	Spring lock washer DIN128-A6-FSt	✓			
<a href="#">56765060000</a>	4	Washer DIN9021-6-A2	✓			
<a href="#">38134273000</a>	1	Bearing housing cpl	✓		✓	
<a href="#">38177230000</a>	1	Carriage drive motor preassy.	✓			
<a href="#">38105849000</a>	4	Cap nut-M6 -1.4404	✓			
<a href="#">38054363001</a>	1	Guide roller cpl	✓		✓	
<a href="#">57743450000</a>	4	Cylinder screw DIN912 M6x16-A2-70	✓			
<a href="#">56765060000</a>	4	Washer DIN9021-6-A2	✓			
<a href="#">38058121002</a>	1	Bolt 15 x 25	✓			
<a href="#">57442120000</a>	1	Countersunk screw DIN7991 M6x12-A2-70	✓			
<a href="#">57743470000</a>	1	Cylinder screw DIN912 M6x40-A2-70	✓			
<a href="#">57767060000</a>	1	Spring lock washer DIN128-A6-FSt	✓			
<a href="#">38105535000</a>	1	Toothed belt 10 5x410	✓	✓	✓	
<a href="#">38023711001</a>	1	Toothed Belt STS 200 HP S5M 1000 NG	✓	✓	✓	

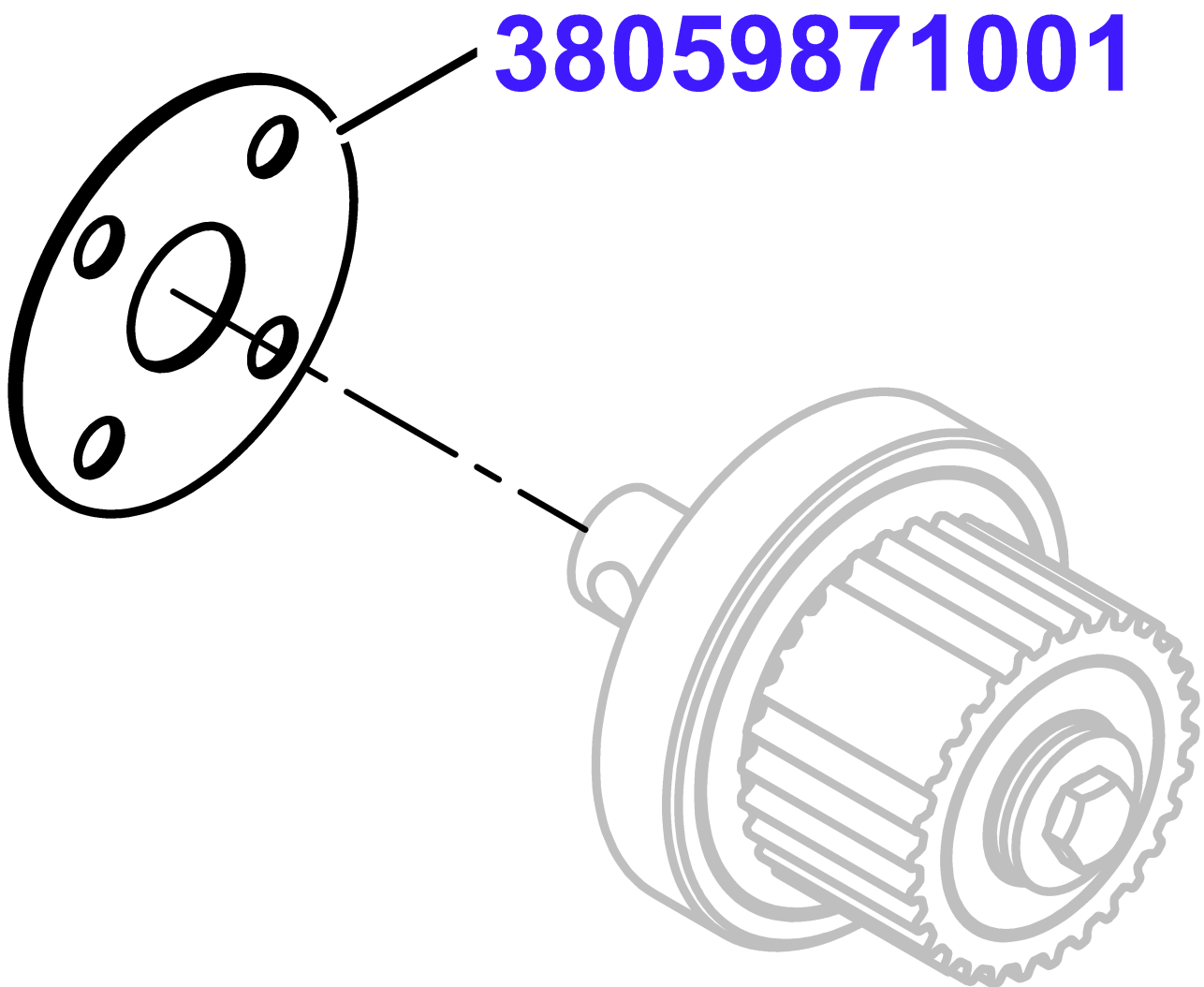
# Carriage drive motor preassy.



## Carriage drive motor preassy.

Material No.	Qty	Material description	available for order	Wear part	Recomm. sp. part	Metr. relevance
<a href="#">38050679005</a>	1	Motor Long Carriage BG75x75				
<a href="#">38069426002</a>	1	flange				
<a href="#">57442170000</a>	3	Countersunk screw DIN7991 M6x20-A2-70				
<a href="#">38069427002</a>	1	Traverse				
<a href="#">57743450000</a>	3	Cylinder screw DIN912 M6x16-A2-70				
<a href="#">95972950002</a>	0,001	Loctite 243 50 ml				
<a href="#">57743440000</a>	2	Cylinder screw DIN912 M6x25-A2-70				

## Guide roller cpl



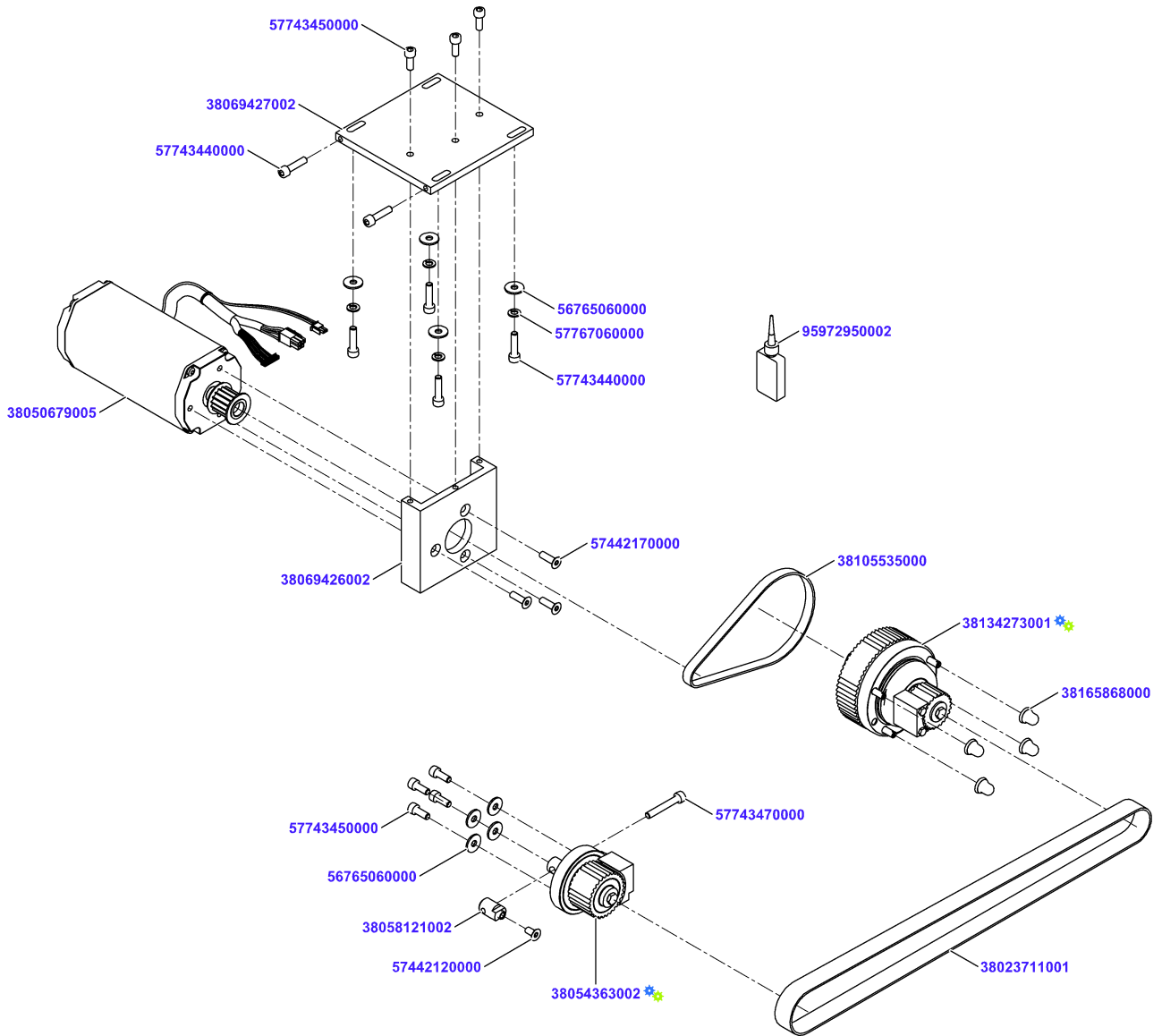
# Guide roller cpl

**Material No.**    **Qty**    **Material description**

38059871001    1    Gasket

available for order
Wear part
Recomm. sp. part
Metr. relevance

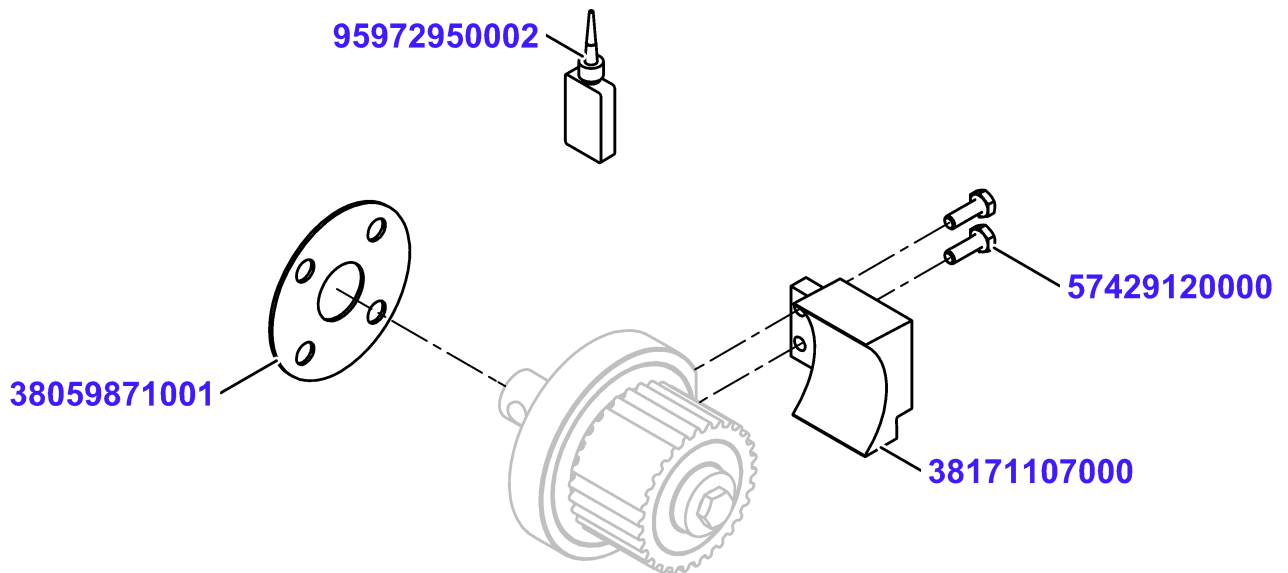
# Carriage drive VSI cpl.







## Carriage drive VSI cpl.

Material No.	Qty	Material description	available for order	Wear part	Recomm. sp. part	Metr. relevance
<a href="#">38050679005</a>	1	Motor Long Carriage BG75x75	✓			
<a href="#">57743450000</a>	3	Cylinder screw DIN912 M6x16-A2-70	✓			
<a href="#">95972950002</a>	0,001	Loctite 243 50 ml	✓			
<a href="#">57442170000</a>	3	Countersunk screw DIN7991 M6x20-A2-70	✓			
<a href="#">38165868000</a>	4	Hygienic Cap Nut M6 with Precote 30-8	✓			
<a href="#">38054363002</a>	1	Guide roller cpl	✓		✓	
<a href="#">38134273001</a>	1	Bearing housing cpl	✓		✓	
<a href="#">57743440000</a>	4	Cylinder screw DIN912 M6x25-A2-70	✓			
<a href="#">57767060000</a>	4	Spring lock washer DIN128-A6-FSt	✓			
<a href="#">56765060000</a>	4	Washer DIN9021-6-A2	✓			
<a href="#">38105535000</a>	1	Toothed belt 10 5x410	✓	✓	✓	
<a href="#">38058121002</a>	1	Bolt 15 x 25	✓			
<a href="#">57442120000</a>	1	Countersunk screw DIN7991 M6x12-A2-70	✓			
<a href="#">57743470000</a>	1	Cylinder screw DIN912 M6x40-A2-70	✓			
<a href="#">95972950002</a>	0,001	Loctite 243 50 ml	✓			
<a href="#">38069426002</a>	1	flange	✓			
<a href="#">38023711001</a>	1	Toothed Belt STS 200 HP S5M 1000 NG	✓	✓	✓	
<a href="#">57743440000</a>	2	Cylinder screw DIN912 M6x25-A2-70	✓			
<a href="#">57743450000</a>	4	Cylinder screw DIN912 M6x16-A2-70	✓			
<a href="#">56765060000</a>	4	Washer DIN9021-6-A2	✓			
<a href="#">38069427002</a>	1	Traverse	✓			

# Guide roller cpl



# Guide roller cpl

Material No.	Qty	Material description	available for order	Wear part	Recomm. sp. part	Metr. relevance
<a href="#">38059871001</a>	1	Gasket				
<a href="#">57429120000</a>	2	Hexagon screw DIN933 M4x12 A-70				
<a href="#">95972950002</a>	1	Loctite 243 50 ml				
<a href="#">38171107000</a>	1	Security block - Guide roller				

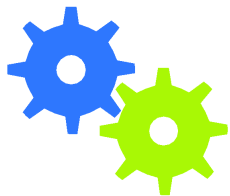
# Bearing housing cpl



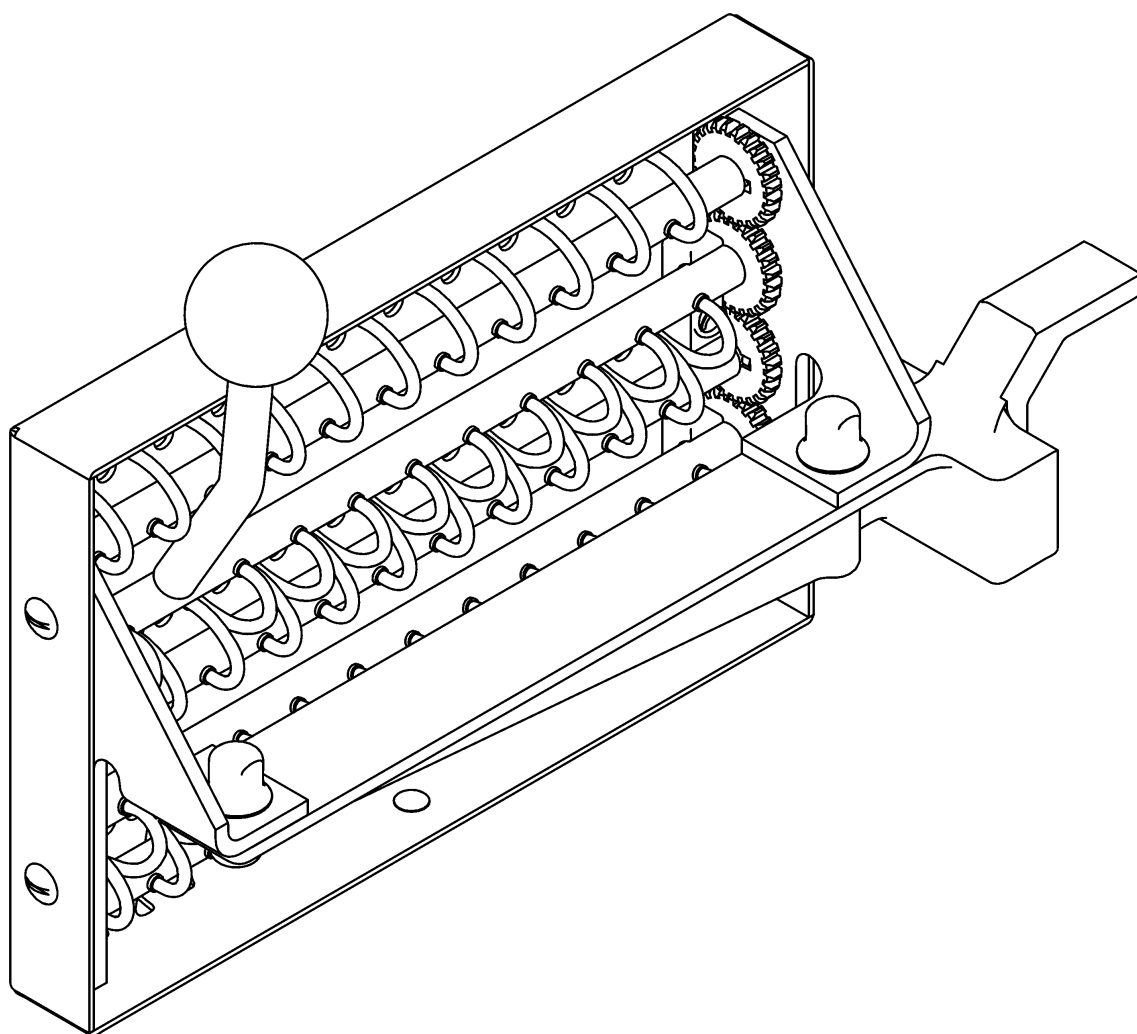
# Bearing housing cpl

Material No.	Qty	Material description	available for order	Wear part	Recomm. sp. part	Metr. relevance
<a href="#">96055080000</a>	0,001	Kluebersynth UH1 64-62/25kg	✓			
<a href="#">57429350000</a>	2	Hexagon screw DIN933 M4x35 A2-70	✓			
<a href="#">95972950002</a>	1	Loctite 243 50 ml	✓			
<a href="#">38171086000</a>	1	Security block - Drive roller	✓			

# Carriage



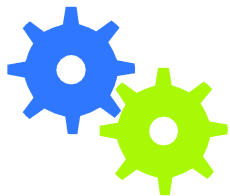
**38083132001**



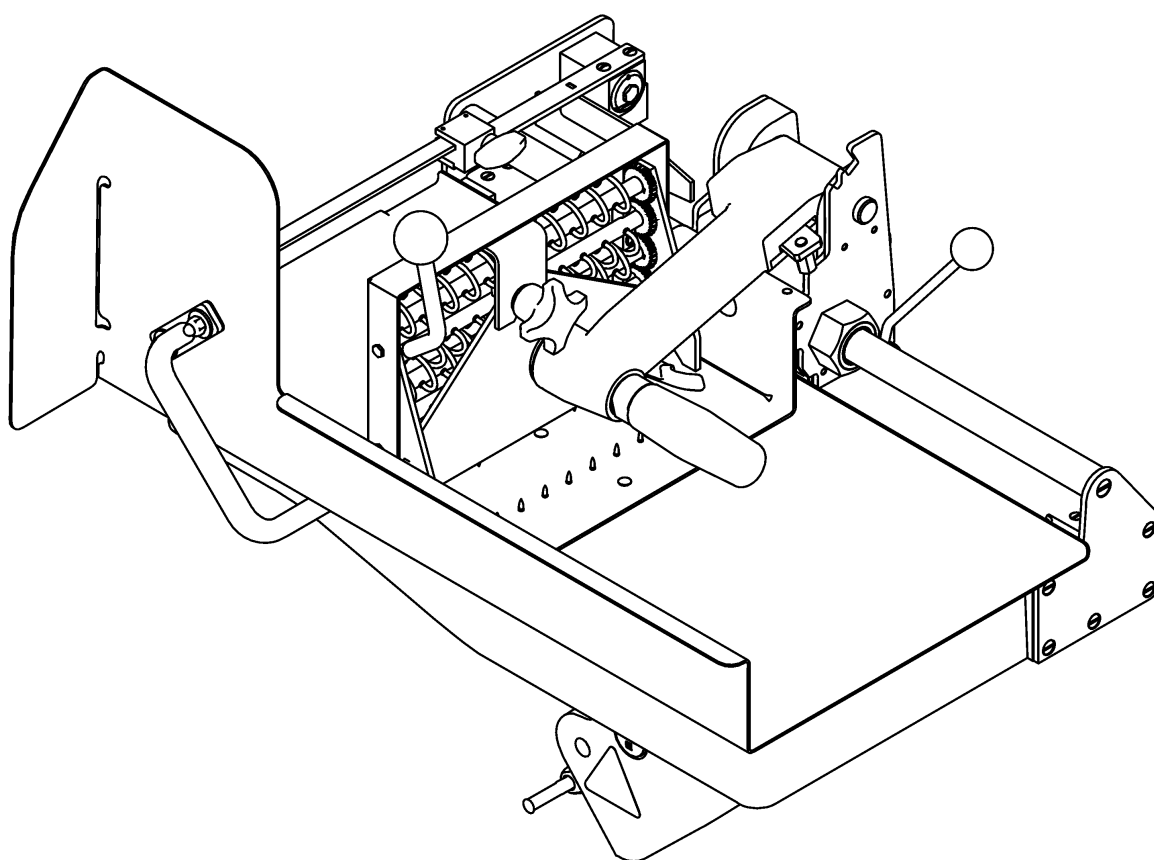
# Carriage

Material No.	Qty	Material description	available for order	Wear part	Recomm. sp. part	Metr. relevance
38083132001	1	Product Holder cpl. VSI				

# Carriage




**38116888001**

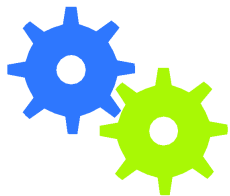


# Carriage

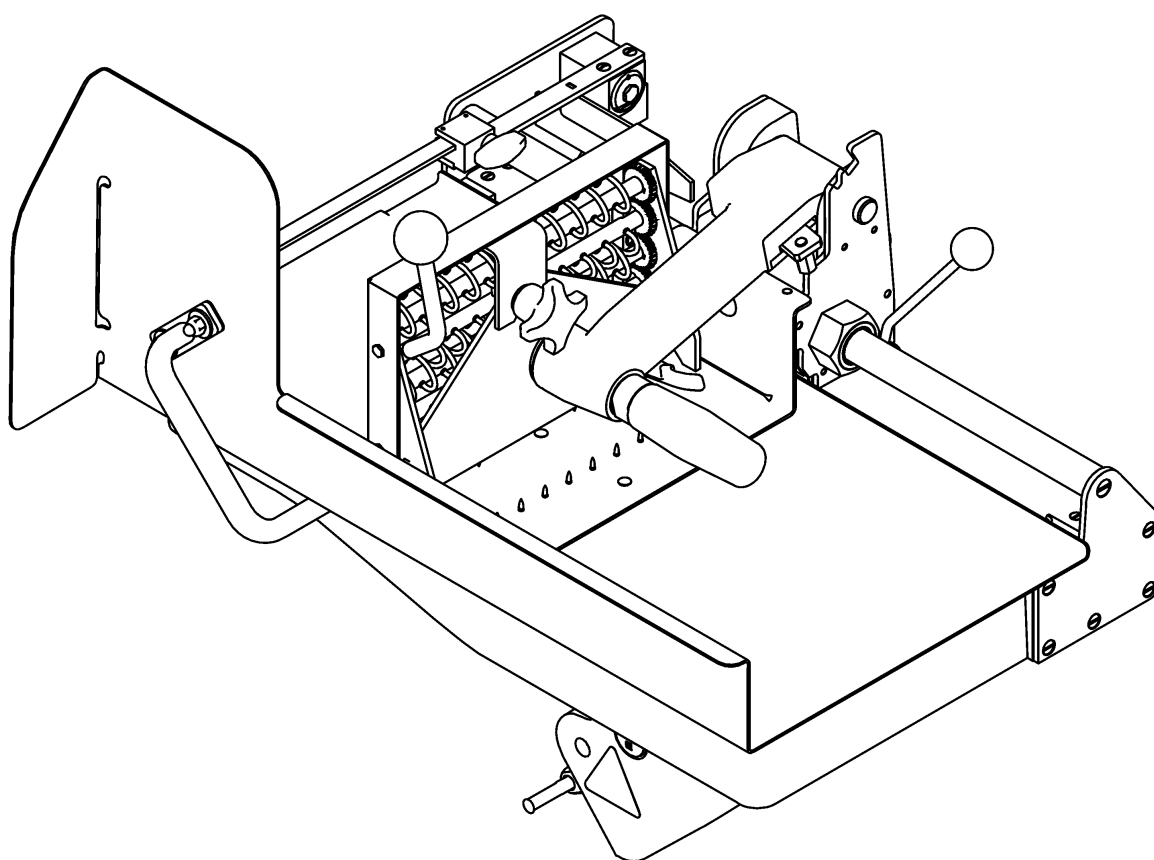
Material No.	Qty	Material description
<a href="#">38116888001</a>	1	Carriage 400 with Peaks

	available for order	Wear part	Recomm. sp. part	Metr. relevance
---	---------------------	-----------	------------------	-----------------

# Carriage




**38116888002**

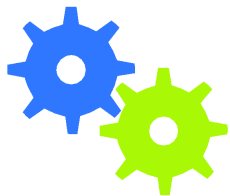


# Carriage

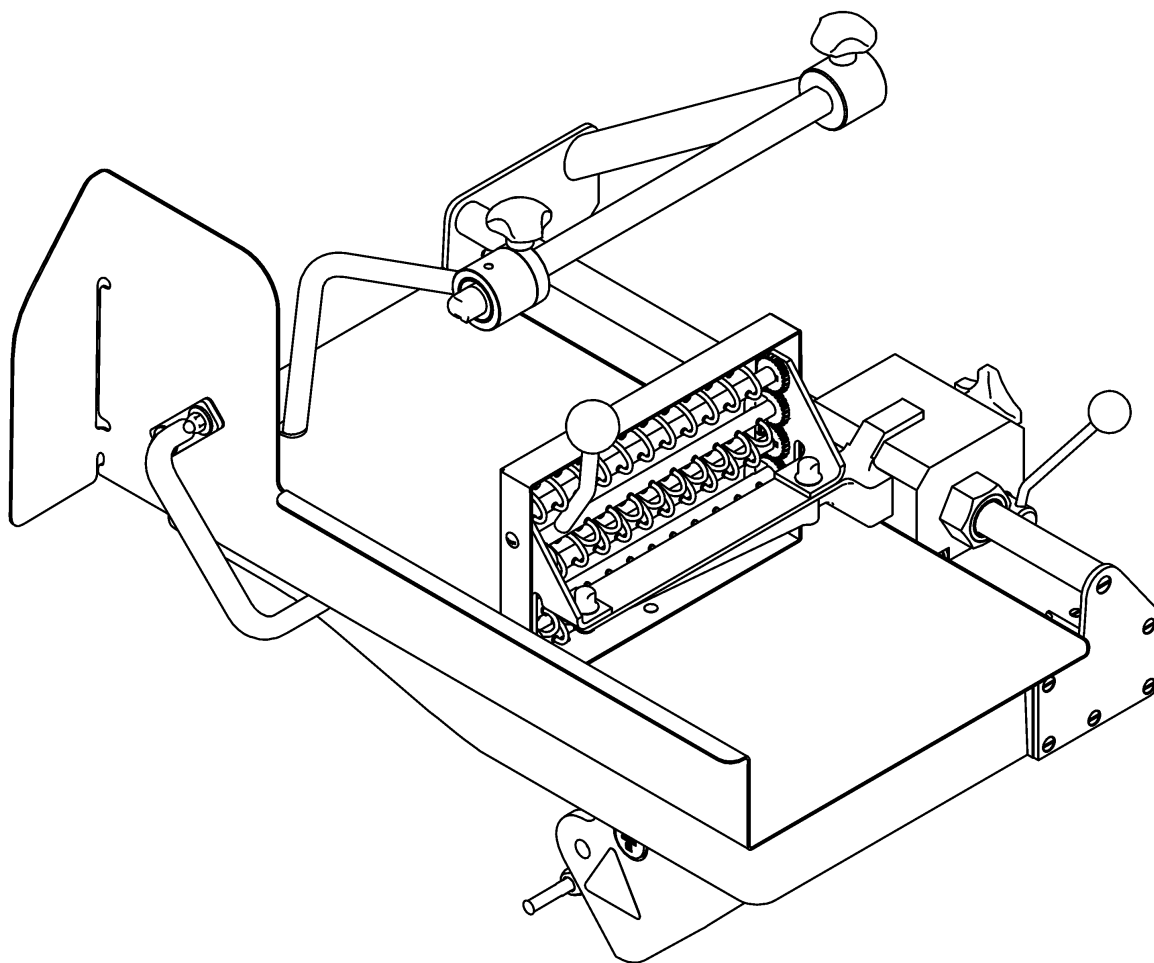
Material No.	Qty	Material description
<a href="#">38116888002</a>	1	Clamping Carriage VSI 400

	available for order	Wear part	Recomm. sp. part	Metr. relevance
---	---------------------	-----------	------------------	-----------------

# Carriage



**38116978001**



# Carriage

Material No.	Qty	Material description
<a href="#">38116978001</a>	1	Carriage 400 NSF

available for order

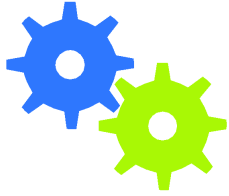
Wear part

Recomm. sp. part

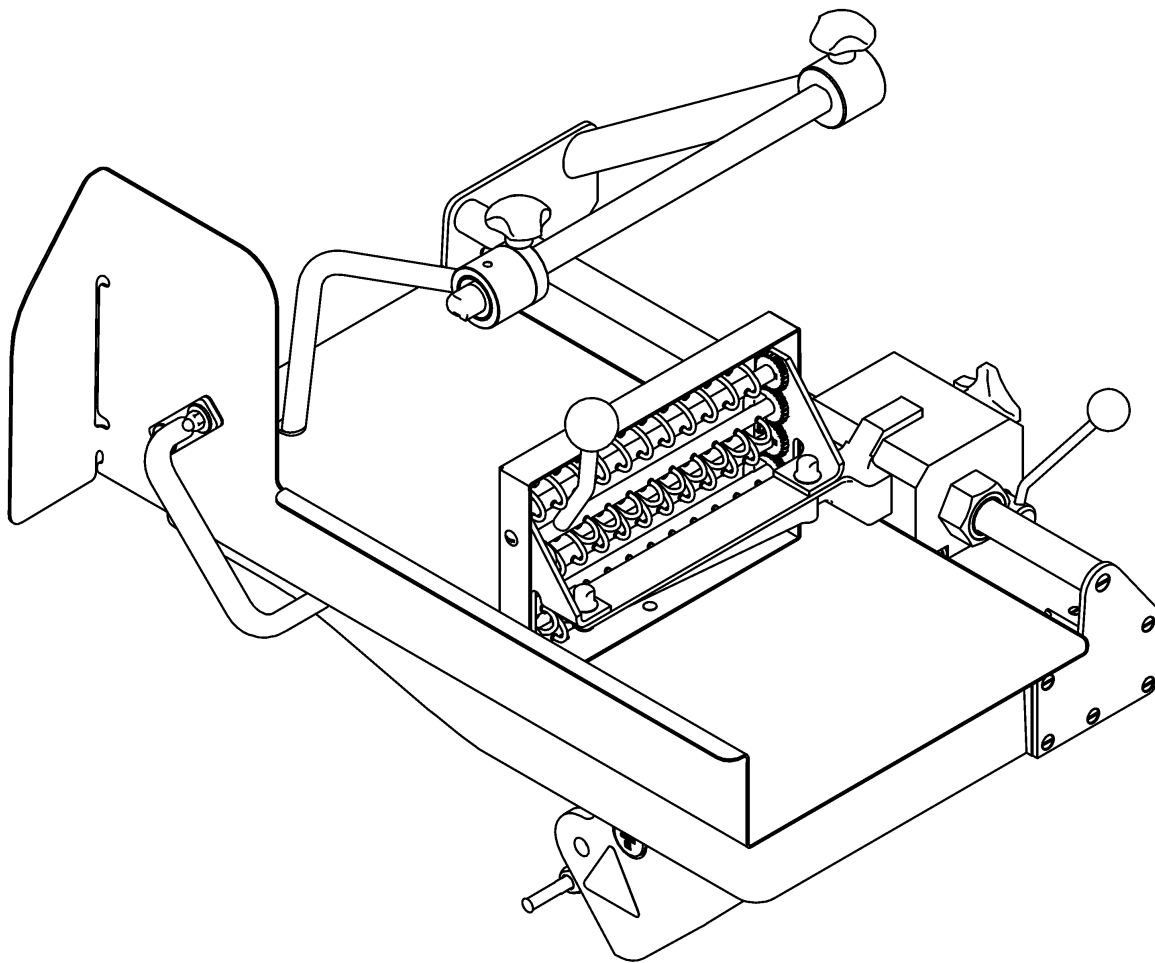
Metr. relevance



# Carriage



**38116978002**



# Carriage

Material No.	Qty	Material description
<a href="#">38116978002</a>	1	Carriage VSI 400 NSF

available for order

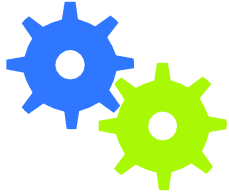
Wear part

Recomm. sp. part

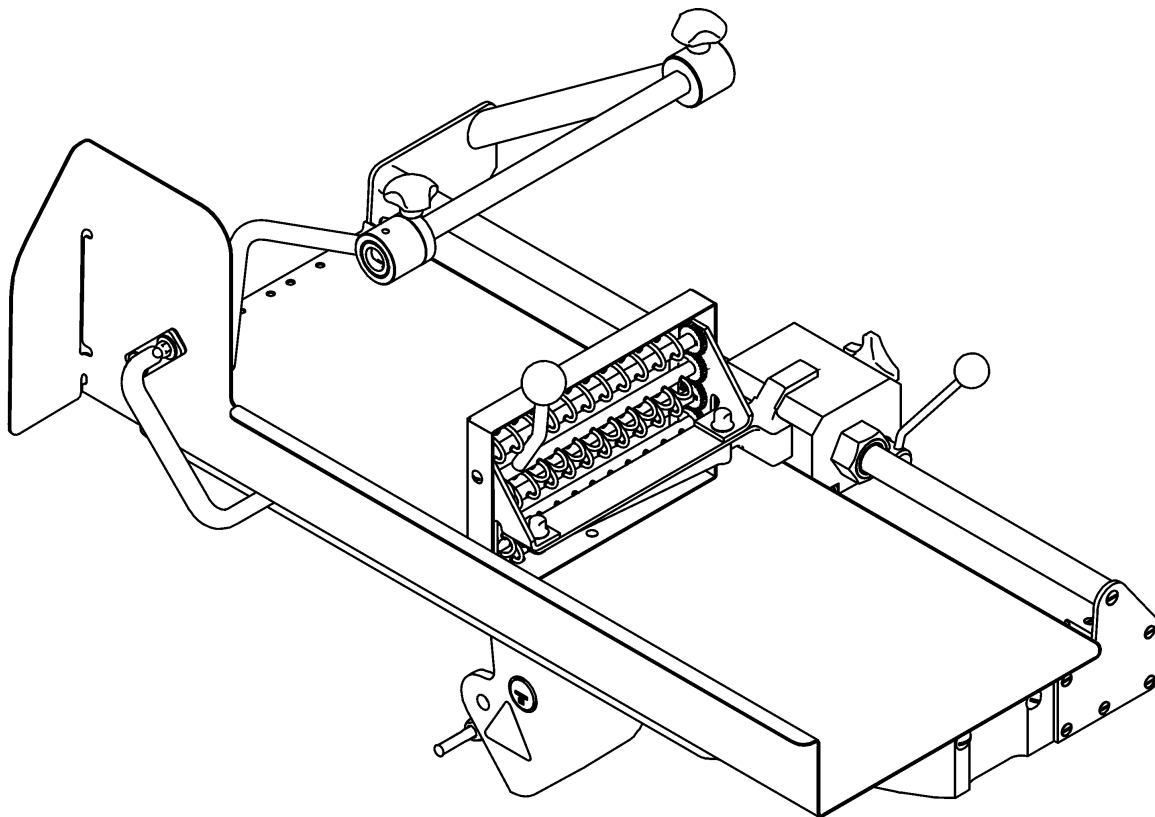
Metr. relevance



# Carriage



**38117002002**



# Carriage

Material No.	Qty	Material description
<a href="#">38117002002</a>	1	Carriage 600 NSF

available for order

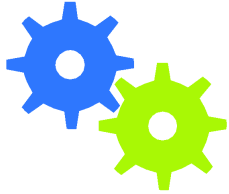
Wear part

Recomm. sp. part

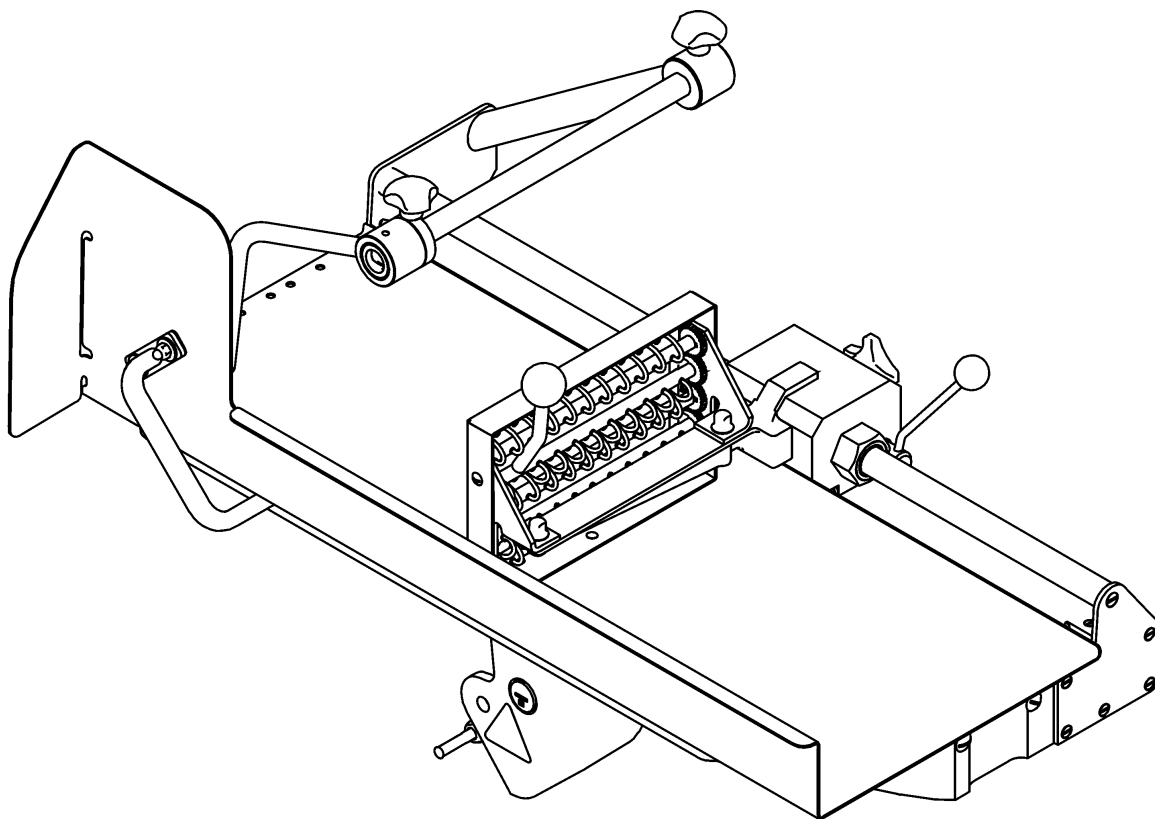
Metr. relevance



# Carriage



**38117002003**



# Carriage

Material No.	Qty	Material description
<a href="#">38117002003</a>	1	Carriage VSI 600 NSF

available for order

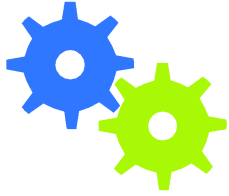
Wear part

Recomm. sp. part

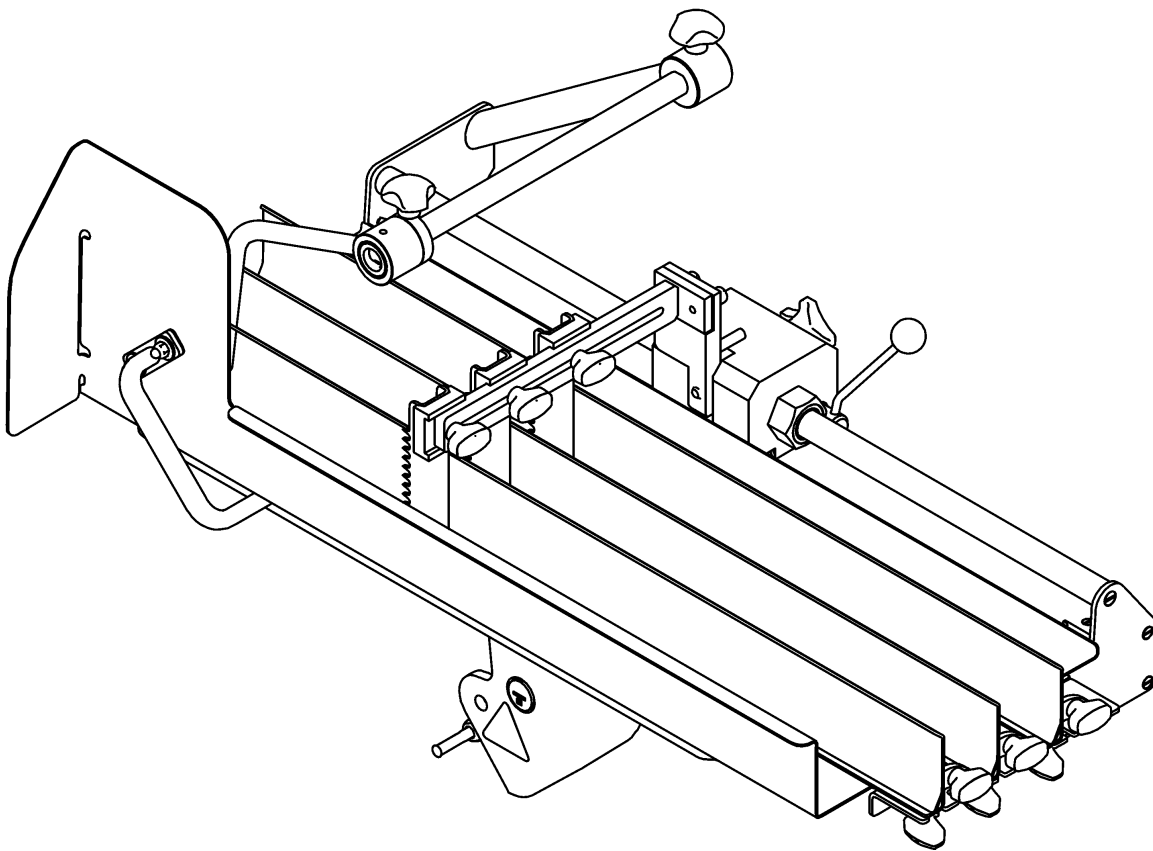
Metr. relevance



# Carriage



**38117005001**

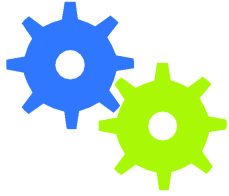


# Carriage

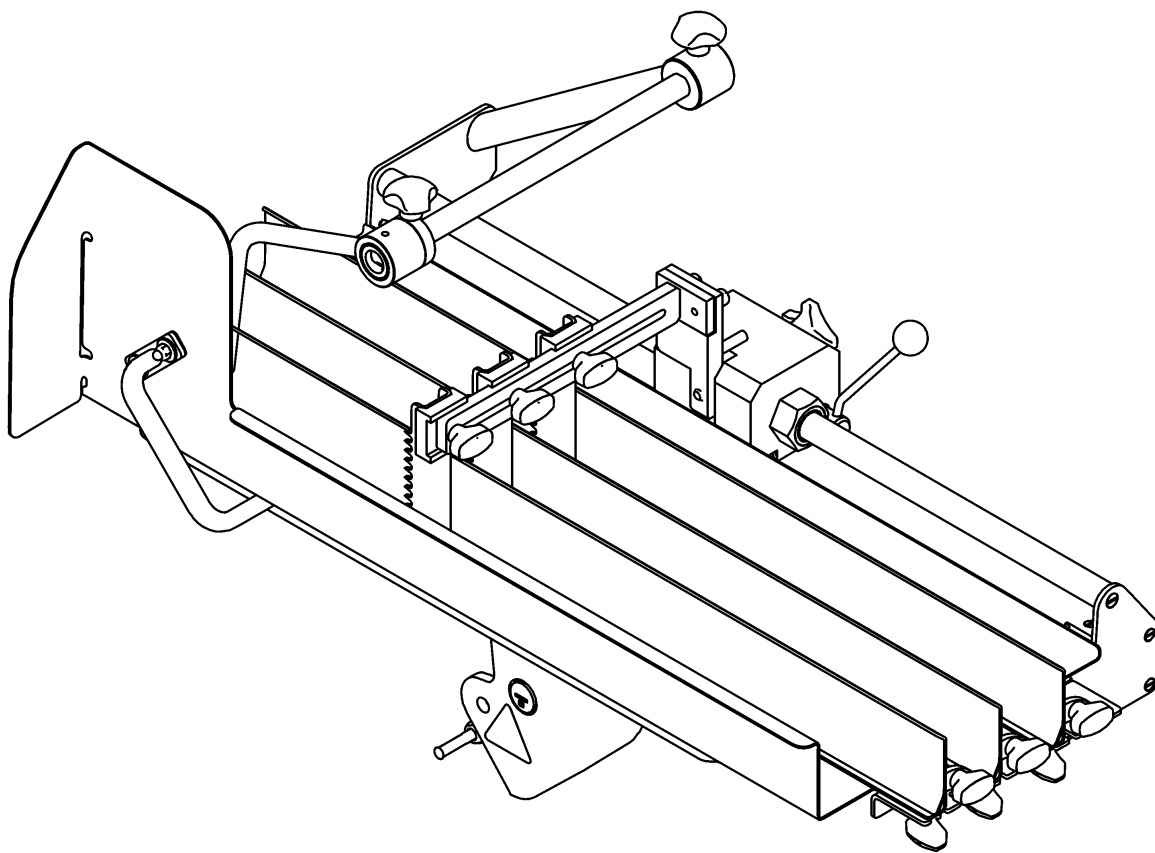
available for order
Wear part
Recomm. sp. part
Metr. relevance

Material No.	Qty	Material description
<a href="#">38117005001</a>	1	Carriage 600 template

# Carriage



**38117005002**

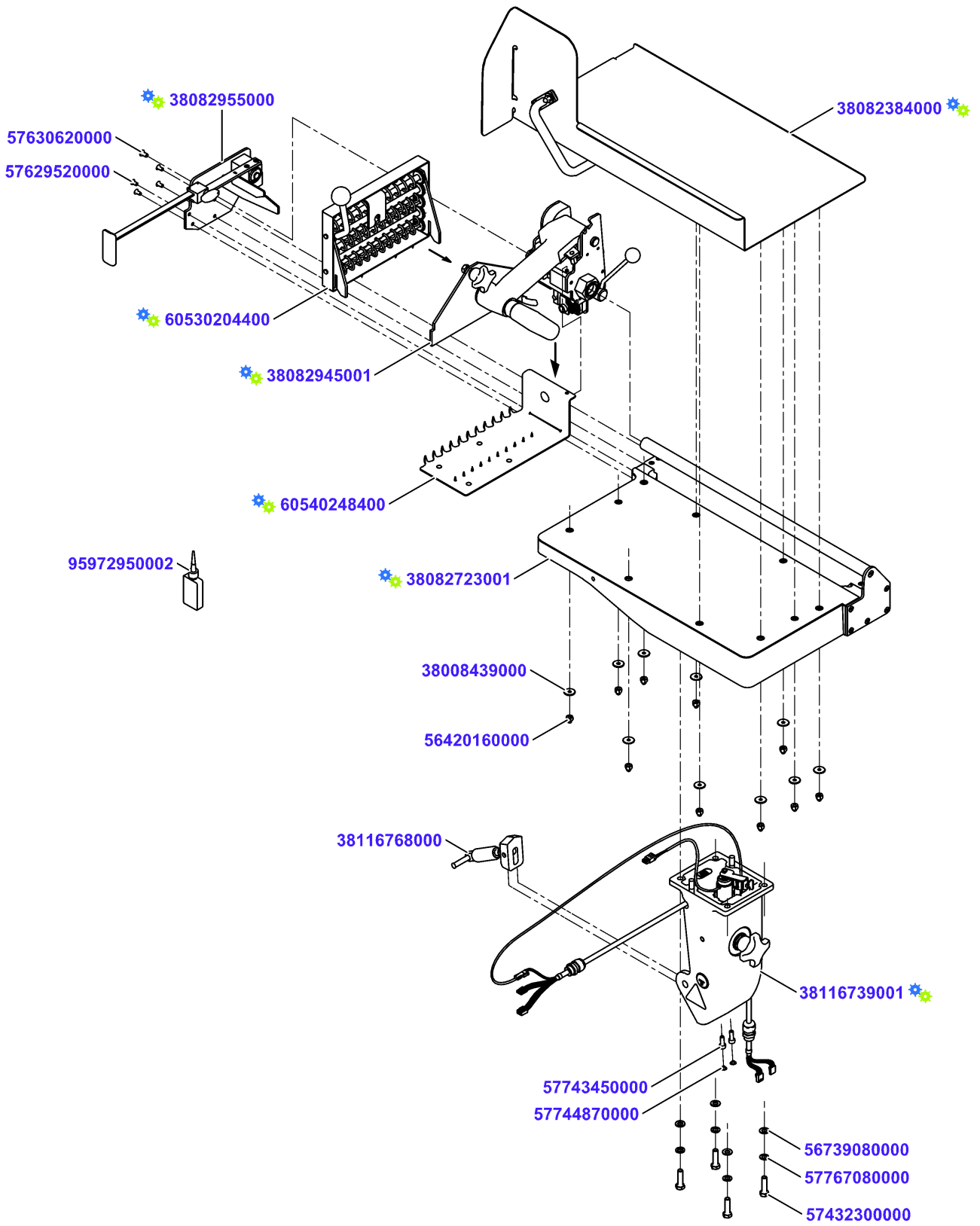


# Carriage

available for order
Wear part
Recomm. sp. part
Metr. relevance

Material No.	Qty	Material description
<a href="#">38117005002</a>	1	Carriage VSI 600 with guide ruler

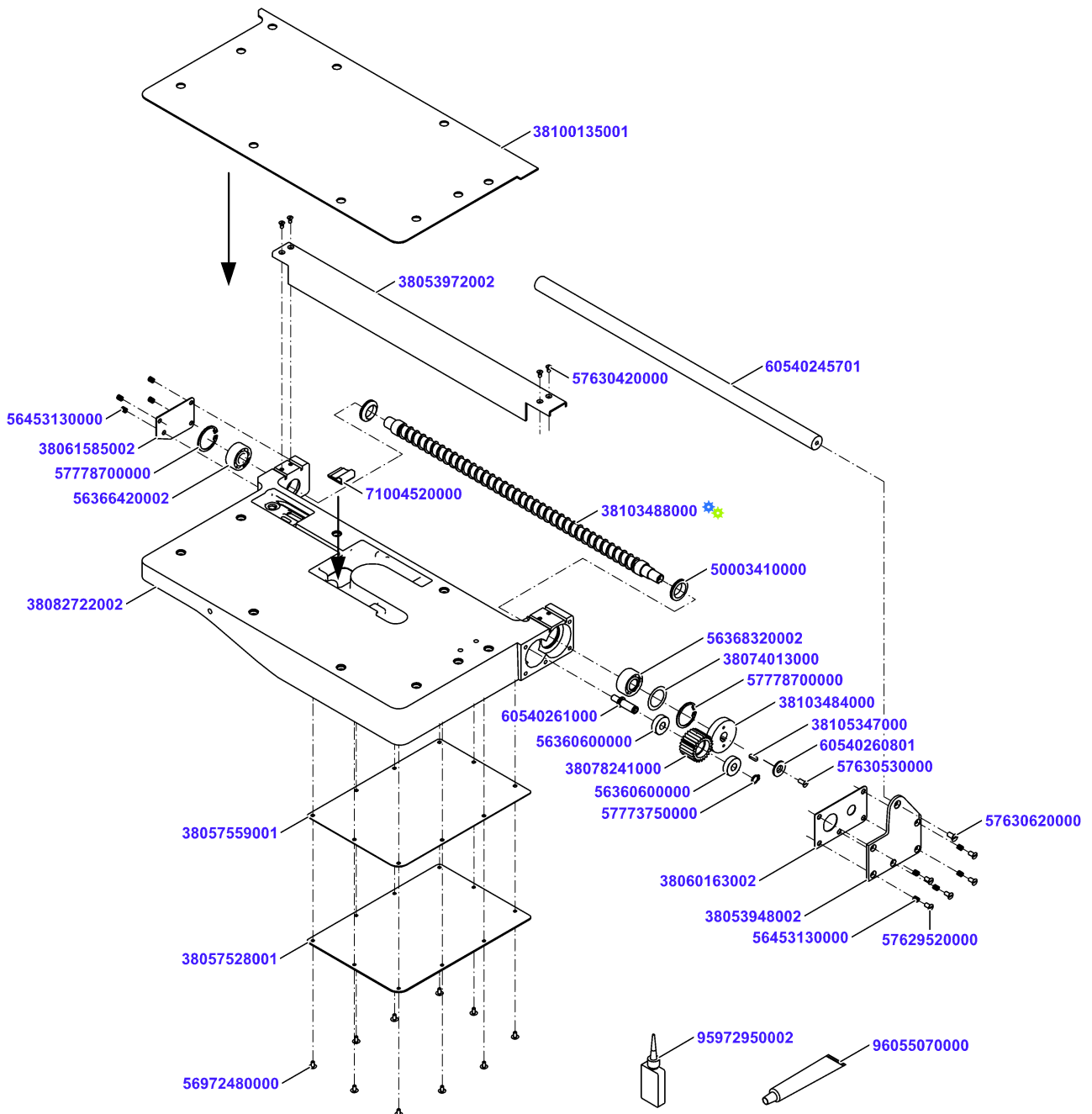
# Carriage 400 with Peaks



# Carriage 400 with Peaks

Material No.	Qty	Material description	available for order	Wear part	Recomm. sp. part	Metr. relevance
38082723001	1	Carriage 400 cpl				
38082384000	1	Carriage Plate 400 preass	✓			
56420160000	10	Cap nut DIN986-M6-A2	✓			
38008439000	10	Sealing washer M6	✓		✓	
38082955000	1	Product Supporter horizontal cpl	✓			
57629520000	4	Countersunk screw DIN963 M5x10-A2-70	✓			
57630620000	1	Countersunk screw DIN963 M6x12-A2-70	✓			
38116739001	1	Carriage Foot low cpl.	✓			
57432300000	4	Hexagon screw DIN933 M8x30 A2-70	✓			
57767080000	4	Spring lock washer DIN128-A8-A2	✓			
56739080000	4	Washer DIN125-A-8-A2	✓			
38116768000	1	Gas pressure spring carriage 400 cpl	✓		✓	
57743450000	2	Cylinder screw DIN912 M6x16-A2-70	✓			
95972950002	0,001	Loctite 243 50 ml	✓			
57744870000	2	Protective plug 10x5,2x3,1-PE	✓		✓	
38082945001	1	Product Holder folding upwards preass.	✓			
60530204400	1	Product holder ass.	✓			
60540248400	1	product supporting plate ass.	✓			

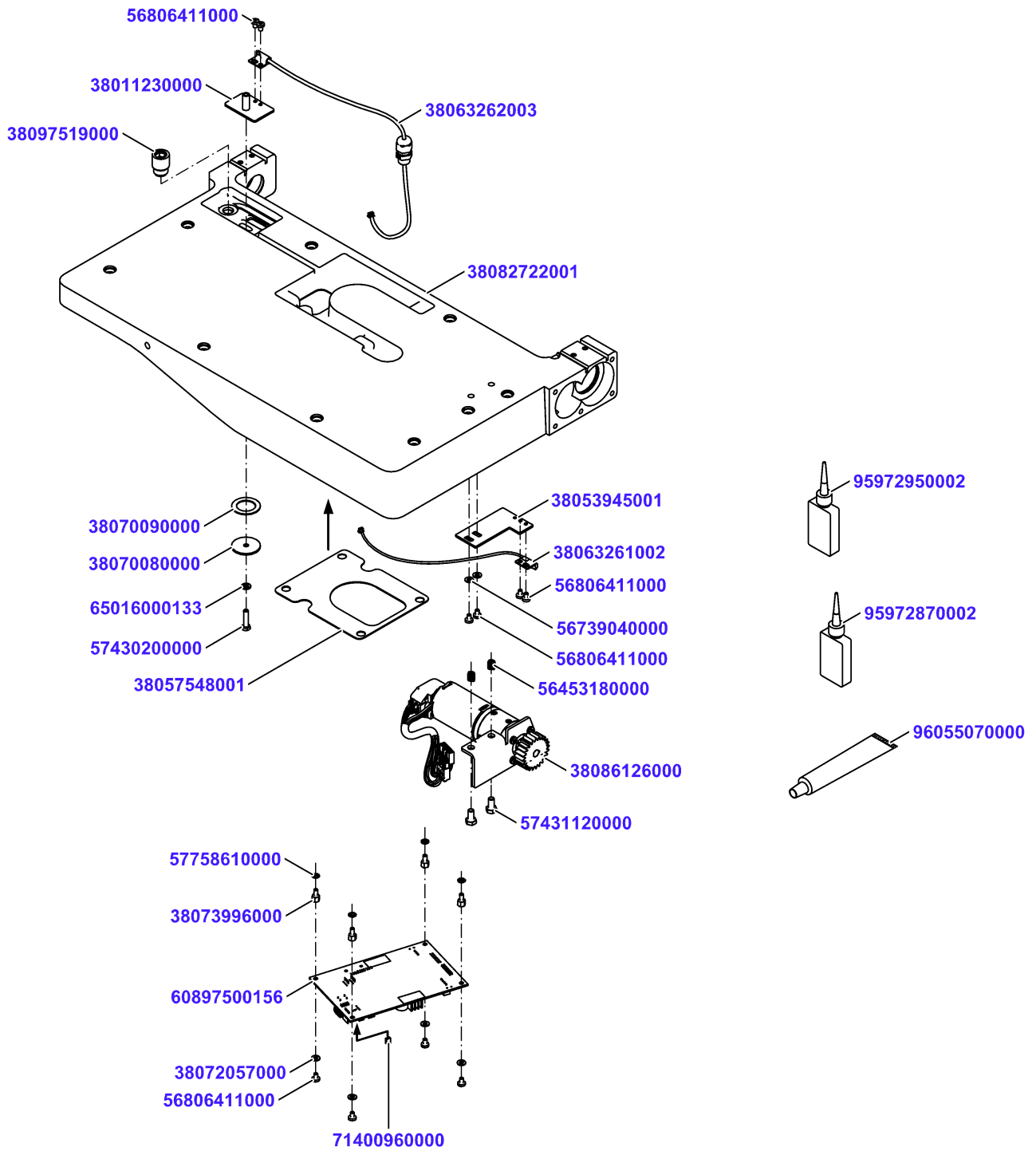
# Carriage 400 cpl



# Carriage 400 cpl

Material No.	Qty	Material description	available for order	Wear part	Recomm. sp. part	Metr. relevance
38082722002	1	Carriage 400 Cast machined	✓			
56453130000	9	Thread insert M5x7,5-A2	✓			
56366420002	1	Self-Aligning Ball Bearing 2202	✓			
57778700000	1	Retaining ring DIN472-35x1,5	✓			
50003410000	1	Wiper ring 30x20x7	✓			
38103488000	1	feed spindle ass.	✓			
50003410000	1	Wiper ring 30x20x7	✓			
56368320002	1	Angular bearing double-row 15x35x15,9	✓			
57778700000	1	Retaining ring DIN472-35x1,5	✓			
38074013000	1	Shim ring DIN988-25x35x0,1	✓			
38103484000	1	Gear Wheel	✓			
96055070000	0,001	Grease PARALIQ GA 343	✓			
38105347000	1	Parallel key DIN6885-A 5x3x14	✓			
60540260801	1	Washer	✓			
57630530000	1	Countersunk screw DIN963 M5x12-A2-70	✓			
95972950002	0,001	Loctite 243 50 ml	✓			
60540261000	1	bolt	✓			
38078241000	1	Gear Wheel	✓			
56360600000	2	Grooved ball bearing DIN625 10x26x8	✓			
57773750000	1	Retaining ring DIN471-10x1	✓			
38053972002	1	Guide Rail 400er	✓			
57630420000	4	Countersunk screw DIN963 M4x8-A2-70	✓			
71004520000	1	Flat Cabel Holder 3484-1000	✓			
38053948002	1	Flange	✓			
38060163002	1	Sealing	✓		✓	
57629520000	5	Countersunk screw DIN963 M5x10-A2-70	✓			
38061585002	1	sealing	✓		✓	
60540245701	1	guide shaft	✓			
57630620000	1	Countersunk screw DIN963 M6x12-A2-70	✓			
38100135001	1	Flat Seal Carriage Plate 400	✓		✓	
38057528001	1	Cover 255,4x177,4x2	✓			
38057559001	1	Seal Cover	✓		✓	
56972480000	10	Mushroom head screw M4x8-A2-70 Tuflok	✓			

# Carriage 400 cpl



# Carriage 400 cpl

Material No.	Qty	Material description	available for order	Wear part	Recomm. sp. part	Metr. relevance
<a href="#">56453180000</a>	2	Threaded insert M6x9	✓			
<a href="#">96055070000</a>	0,001	Grease PARALIQ GA 343	✓			
<a href="#">95972950002</a>	0,001	Loctite 243 50 ml	✓			
<a href="#">38053945001</a>	1	Board	✓			
<a href="#">38063261002</a>	1	Sensor product feeding 1 VSI	✓			
<a href="#">56806411000</a>	4	Oval-head screw ISO14583 M4x6-A2-70-T20	✓			
<a href="#">56739040000</a>	2	Washer DIN125-A 4.3-A2-70	✓			
<a href="#">38011230000</a>	1	Board cpl	✓			
<a href="#">38063262003</a>	1	Sensor product feeding 2 VSI	✓			
<a href="#">56806411000</a>	2	Oval-head screw ISO14583 M4x6-A2-70-T20	✓			
<a href="#">38070080000</a>	1	Washer	✓			
<a href="#">38070090000</a>	1	Sealing	✓		✓	
<a href="#">57430200000</a>	1	Hexagon screw DIN933 M5x20 A2-70	✓			
<a href="#">65016000133</a>	1	Washer 5-PA	✓			
<a href="#">38097519000</a>	1	Sleeve 18 x 10 x 24.25	✓			
<a href="#">95972870002</a>	0,001	Loctite 638	✓			
<a href="#">38086126000</a>	1	Motor Product Feeding BG42x15 cpl	✓			
<a href="#">57431120000</a>	2	Hexagon screw DIN933 M6x12 A2-70	✓			
<a href="#">71400960000</a>	1	Short Circuit Bracket 3131 731000406	✓		✓	
<a href="#">57758610000</a>	4	Toothed washer DIN6797-A 4,3-Fst	✓			
<a href="#">38073996000</a>	4	Distance bolt SW7x6 M4-M4 In-Out	✓			
<a href="#">56806411000</a>	4	Oval-head screw ISO14583 M4x6-A2-70-T20	✓			
<a href="#">38072057000</a>	4	Washer DIN125-A-4-PA6	✓			
<a href="#">38057548001</a>	1	Seal	✓		✓	

## Carriage 400 cpl

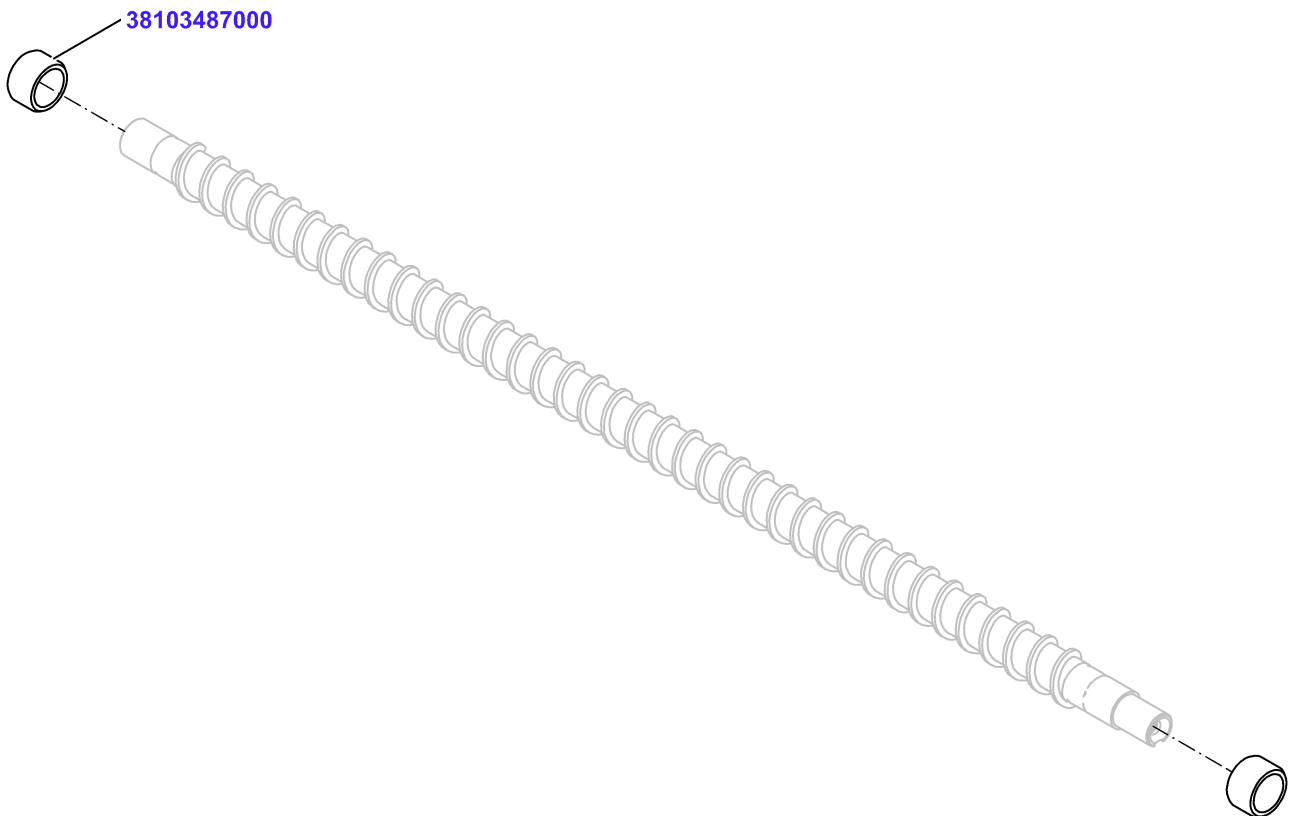
# Carriage 400 cpl

Material No.	Qty	Material description
<a href="#">60897500157</a>	1	PCBAP MC 3ph 2ch lv bus

available for order
Wear part
Recomm. sp. part
Metr. relevance




## feed spindle ass.

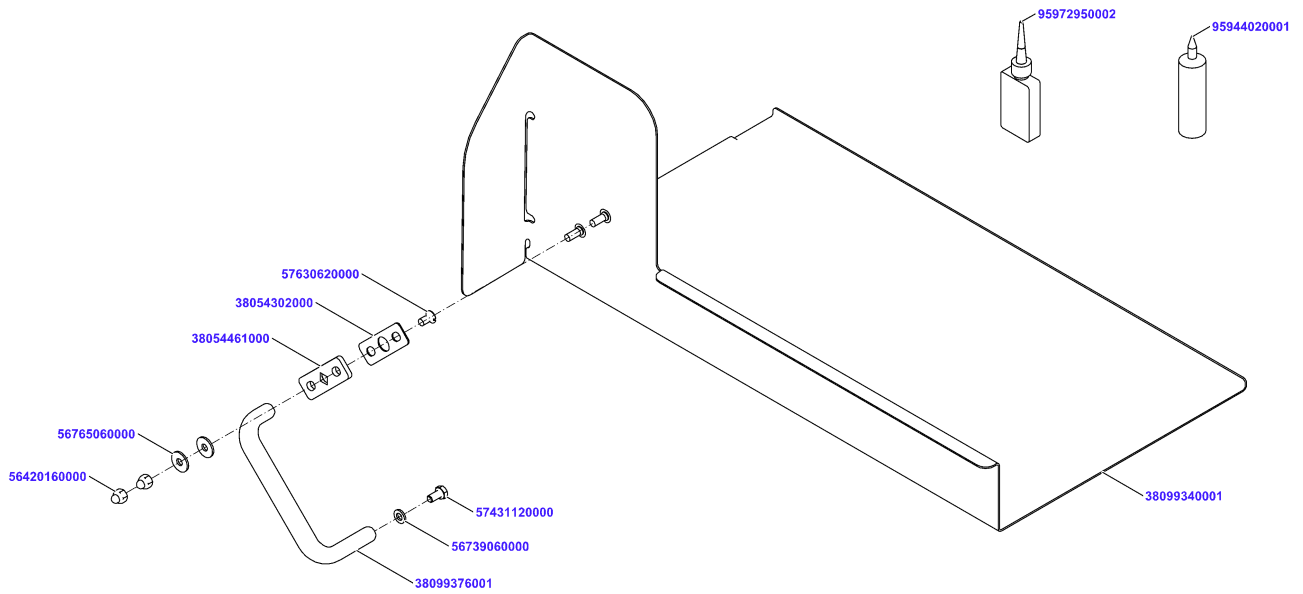


## feed spindle ass.

Material No.	Qty	Material description
38103487000	2	Ring

	available for order
	Wear part
	Recomm. sp. part
	Metr. relevance

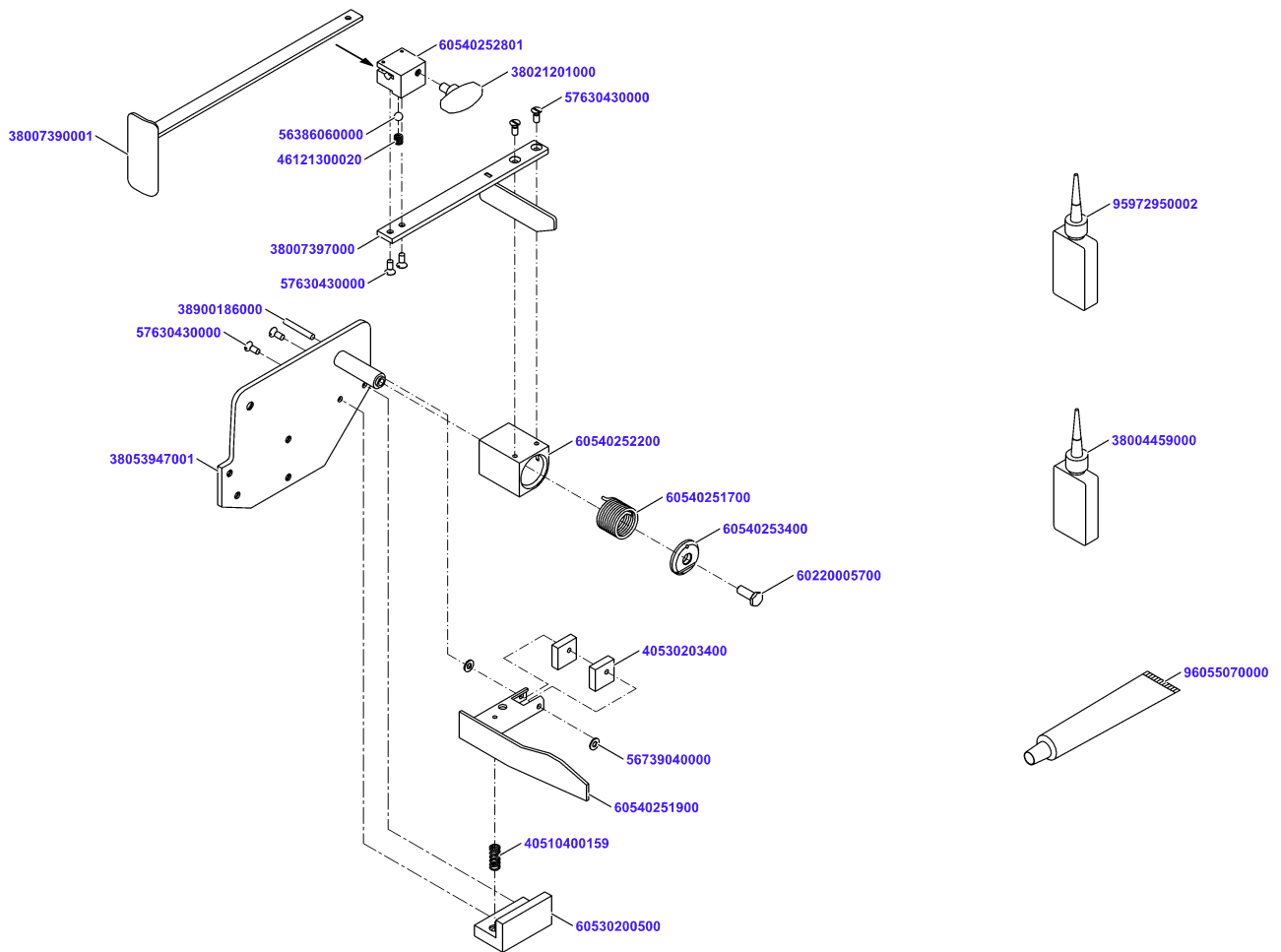
# Carriage Plate 400 preass
























## Carriage Plate 400 preass

Material No.	Qty	Material description	available for order	Wear part	Recomm. sp. part	Metr. relevance
<a href="#">38099340001</a>	1	Carriage Plate welded	✓			
<a href="#">38099376001</a>	1	Handle	✓			
<a href="#">38054461000</a>	1	Plate	✓			
<a href="#">38054302000</a>	1	Gasket	✓		✓	
<a href="#">95944020001</a>	10	Silicone Rubber Elastosil E41 90ml	✓			
<a href="#">57630620000</a>	1	Countersunk screw DIN963 M6x12-A2-70	✓			
<a href="#">95972950002</a>	0,001	Loctite 243 50 ml	✓			
<a href="#">56420160000</a>	2	Cap nut DIN986-M6-A2	✓			
<a href="#">56765060000</a>	2	Washer DIN9021-6-A2	✓			
<a href="#">57431120000</a>	1	Hexagon screw DIN933 M6x12 A2-70	✓			
<a href="#">56739060000</a>	1	Washer DIN125-A-6-A2	✓			

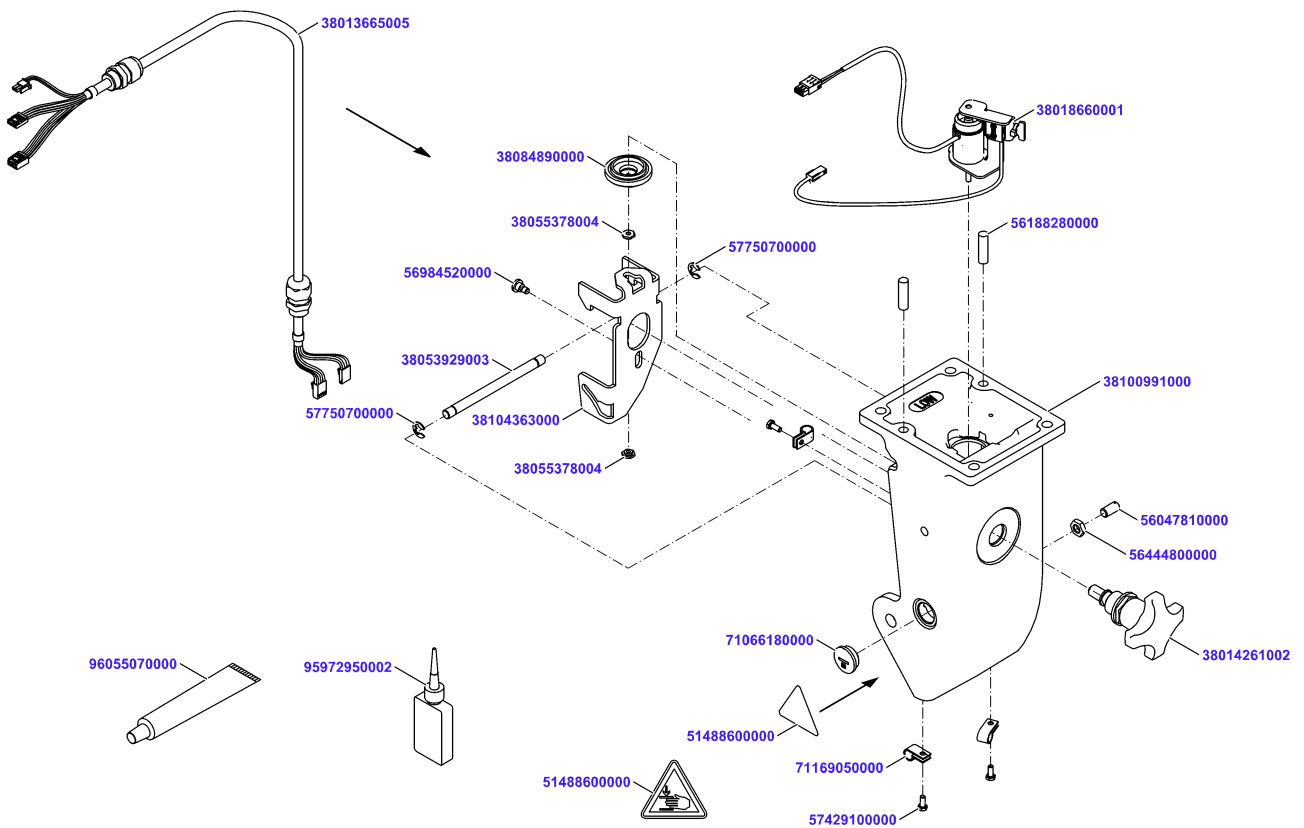
# Product Supporter horizontal cpl



## Product Supporter horizontal cpl

Material No.	Qty	Material description	available for order	Wear part	Recomm. sp. part	Metr. relevance
<a href="#">38053947001</a>	1	Mounting with Shaft				
<a href="#">60540251900</a>	1	Lever welded complete				
<a href="#">40530203400</a>	2	buffer				
<a href="#">38900186000</a>	1	Cylindrical pin DIN7-4m6x28-A2				
<a href="#">56739040000</a>	2	Washer DIN125-A 4.3-A2-70				
<a href="#">40510400159</a>	1	pressure spring				
<a href="#">60530200500</a>	1	supporting angle				
<a href="#">57630430000</a>	6	Countersunk screw DIN963 M4x10-A2-70				
<a href="#">95972950002</a>	0,001	Loctite 243 50 ml				
<a href="#">60540252200</a>	1	hub preass.				
<a href="#">60540251700</a>	1	spring				
<a href="#">96055070000</a>	0,005	Grease PARALIQ GA 343				
<a href="#">60540253400</a>	1	tightening disk				
<a href="#">60220005700</a>	1	hexagon screw oval-head M 6x16				
<a href="#">38004459000</a>	0,001	Loctite 648				
<a href="#">38007397000</a>	1	Cantilever welded				
<a href="#">60540252801</a>	1	take up device preassembled				
<a href="#">56386060000</a>	1	Ball DIN5401 6-1.4034				
<a href="#">46121300020</a>	1	PRESSURE SPRING 6121300020				
<a href="#">38021201000</a>	1	Wing screw M6x10-1.4308				
<a href="#">38007390001</a>	1	Holder welded				

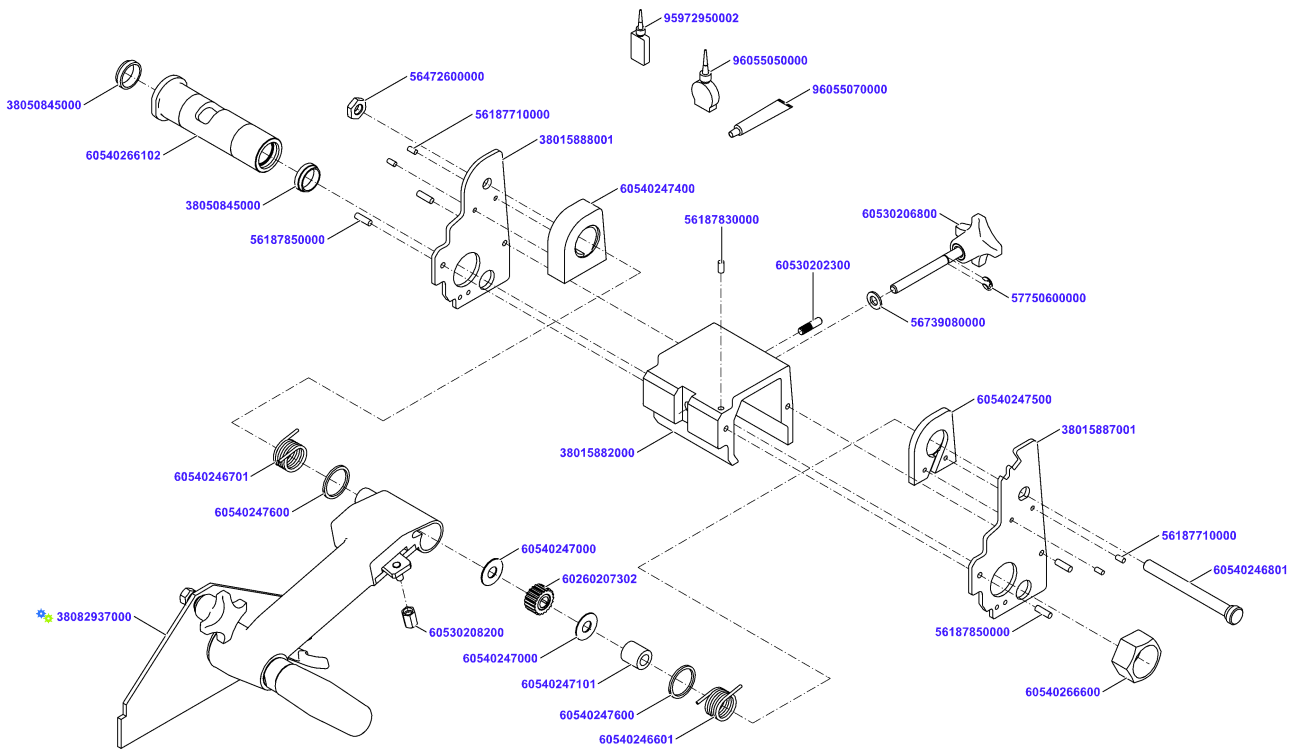
# Carriage Foot low cpl.



## Carriage Foot low cpl.

Material No.	Qty	Material description	available for order	Wear part	Recomm. sp. part	Metr. relevance
<a href="#">38100991000</a>	1	Carriage Foot low hygienic mach	✓			
<a href="#">56188280000</a>	2	Cylindrical pin EN 22338-8m6x28-A2	✓			
<a href="#">56047810000</a>	1	Set screw DIN551 M8x16-PA 66	✓			
<a href="#">56444800000</a>	1	Hexagon nut DIN439-M8-A2	✓			
<a href="#">38018660001</a>	1	Magnet preass	✓	✓		
<a href="#">38084890000</a>	1	Cap preass	✓			
<a href="#">38055378004</a>	2	Hexagon nut	✓			
<a href="#">95972950002</a>	0,001	Loctite 243 50 ml	✓			
<a href="#">38104363000</a>	1	Interlock	✓			
<a href="#">96055070000</a>	0,001	Grease PARALIQ GA 343	✓			
<a href="#">56984520000</a>	1	Pan head screw DIN923 M5x4A2-70	✓			
<a href="#">71066180000</a>	1	Blind plug BLK- M20	✓			
<a href="#">38014261002</a>	1	Handle preass.	✓			
<a href="#">38053929003</a>	1	Stop Bolt	✓			
<a href="#">57750700000</a>	2	Retaining washer DIN6799-7	✓			
<a href="#">71169050000</a>	3	Cable Clamp nylon 7,4mm NK-5N	✓			
<a href="#">38013665005</a>	1	Ka Rd 12x24AWG 0,87m	✓			
<a href="#">57429100000</a>	3	Hexagon screw DIN933 M4x10 A2-70	✓			
<a href="#">51488600000</a>	1	Warning Plate Hand Injury 7.29K	✓			

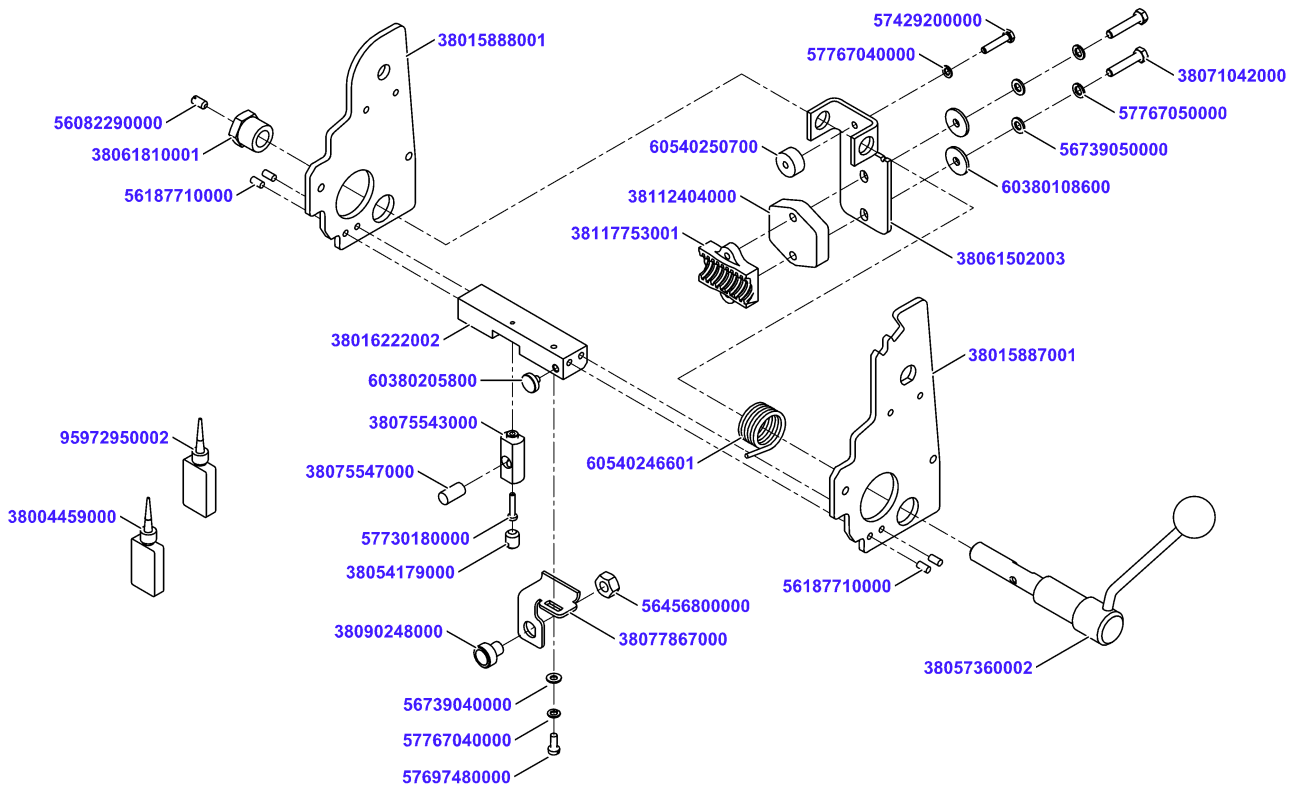
# Product Holder folding upwards preass.



## Product Holder folding upwards preass.

Material No.	Qty	Material description	available for order	Wear part	Recomm. sp. part	Metr. relevance
38015882000	1	Product Holder Guide	✓			
56187830000	1	Cylindrical pin EN 22338-5m6x10-A2	✓			
60530202300	1	PIN	✓			
60530206800	1	locking handle assembled	✓			
56739080000	1	Washer DIN125-A-8-A2	✓			
57750600000	1	Retaining washer DIN6799-6	✓			
38015887001	1	Side Cover left	✓			
38015888001	1	Side Cover right	✓			
60540266102	1	Bushing complete	✓	✓		
38050845000	2	Deflector Ring	✓			
60540266600	1	hex nut	✓			
56187850000	4	Cylindrical pin EN 22338-5m6x16-A2	✓			
60540246601	1	Torsion spring left	✓			
95972950002	0,001	Loctite 243 50 ml	✓			
56187710000	4	Cylindrical pin EN 22338-4m6x8-A2	✓			
38082937000	1	Lever compl for the Product Holder	✓			
60540247000	2	washer	✓			
60540246801	1	Shaft	✓			
56472600000	1	Hexagon nut DIN439-M10x1-A2-70	✓			
60530208200	1	cap nut	✓			
60540246601	1	Torsion spring left	✓			
60540246701	1	Torsion spring right	✓			
60540247101	1	spacer bushing	✓			
60540247400	1	counter bearing	✓			
60540247500	1	counter bearing	✓			
60540247600	2	washer	✓			
60260207302	1	Control Gear	✓			
56187710000	4	Cylindrical pin EN 22338-4m6x8-A2	✓			
96055070000	0,001	Grease PARALIQ GA 343	✓			
96055050000	0,001	Lubricating Oil F.L.5 Oil UH1	✓			

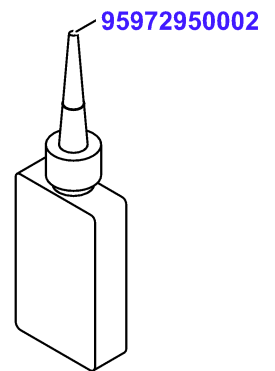
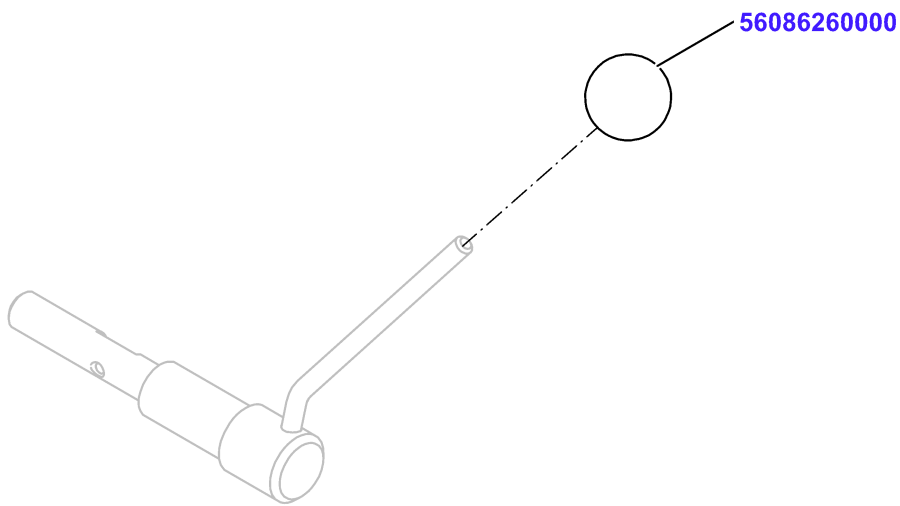
# Product Holder folding upwards preass.



## Product Holder folding upwards preass.

Material No.	Qty	Material description	available for order	Wear part	Recomm. sp. part	Metr. relevance
38015887001	1	Side Cover left				
38015888001	1	Side Cover right				
38057360002	1	Bolt cpl				
38061502003	1	Holder				
60540246601	1	Torsion spring left				
60540250700	1	actuator				
57767040000	1	Spring lock washer DIN128-A4-FSt				
57429200000	1	Hexagon screw DIN933 M4x20 A2-70				
38071042000	2	Hexagon screw DIN933 M5x25 A2-70				
57767050000	2	Spring lock washer DIN128-A5-FSt				
56739050000	2	Washer DIN125-A-5-A2				
60380108600	2	Washer				
38112404000	1	Spacer plate 40x40x10				
38117753001	1	Nut Plate TR20X12P4				
95972950002	0,001	Loctite 243 50 ml				
38061810001	1	Screw Nut				
38004459000	0,001	Loctite 648				
56082290000	1	Set screw DIN438 M5x10-A2-70				
38016222002	1	Bar				
60380205800	1	SLIDE PIN				
56187710000	4	Cylindrical pin EN 22338-4m6x8-A2				
38077867000	1	Magnet Base				
38090248000	1	Magnet Vacodym 370 wz round 10x4 preass				
56456800000	1	Hexagon nut DIN934-M8-A2				
57697480000	1	Cylinder screw DIN84 M4x10-A2-70				
56739040000	1	Washer DIN125-A 4.3-A2-70				
57767040000	1	Spring lock washer DIN128-A4-FSt				
60540246601	1	Torsion spring left				
56187710000	4	Cylindrical pin EN 22338-4m6x8-A2				
38075543000	1	Mounting Pin				
57730180000	1	Oval-head screw ISO14583 M3x16-A2-70-T10				
38075547000	1	Parallel Pin 8x15				
38054179000	1	Set screw DIN438 M8x10-A2-70				

# Bolt cpl

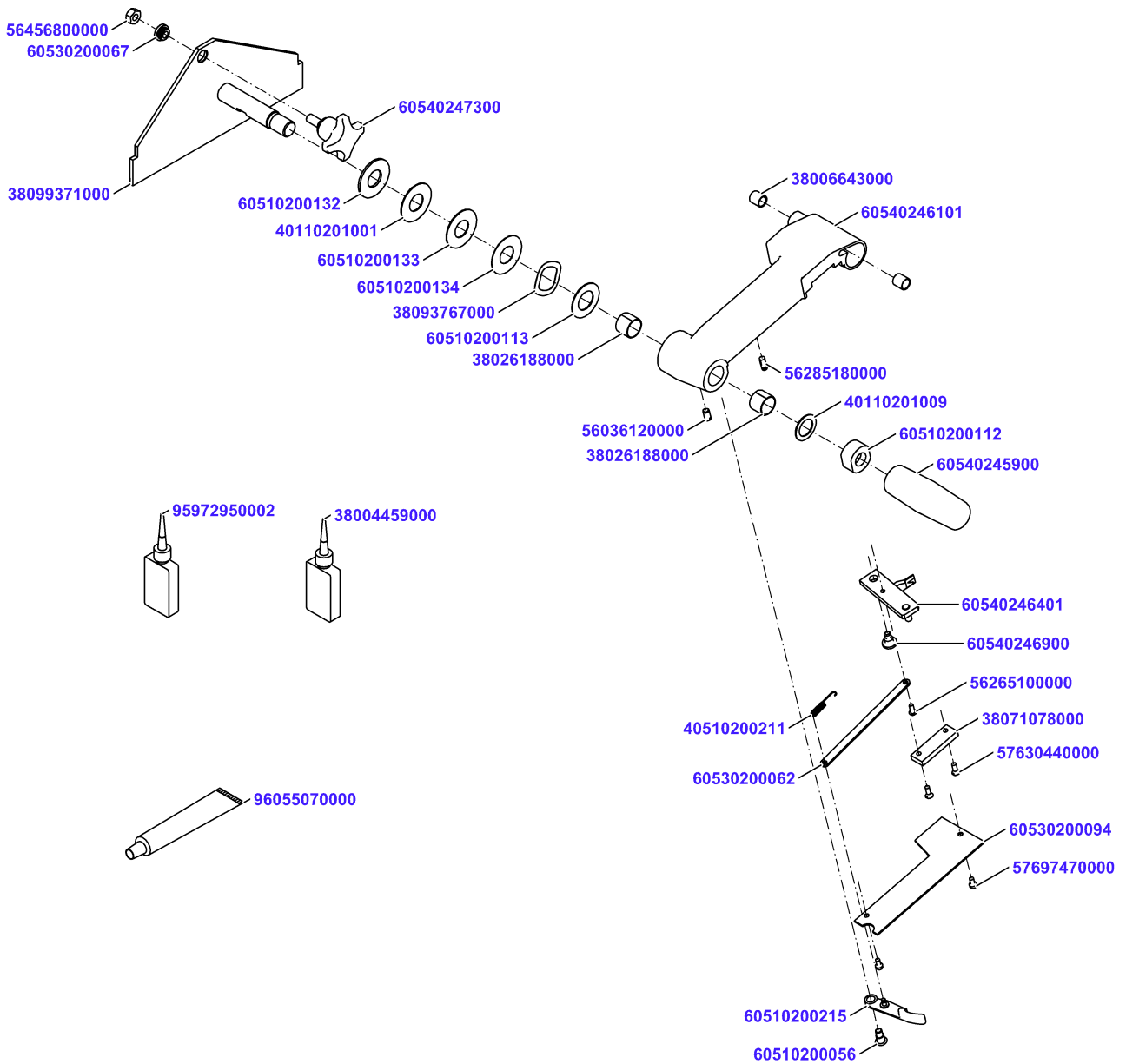


# Bolt cpl

Material No.	Qty	Material description
<a href="#">56086260000</a>	1	Ball knob DIN319 M6x25 I
<a href="#">95972950002</a>	0,001	Loctite 243 50 ml

available for order
Wear part
Recomm. sp. part
Metr. relevance

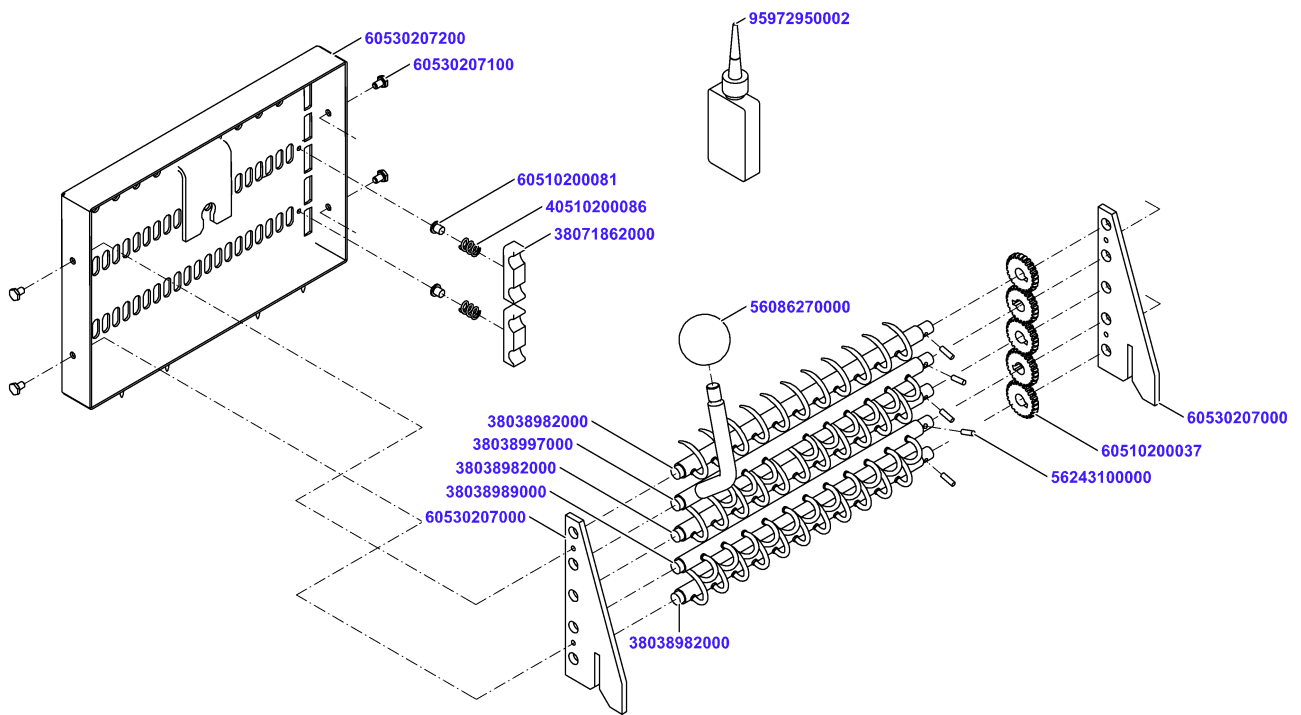
# Lever compl for the Product Holder















## Lever compl for the Product Holder

Material No.	Qty	Material description	available for order	Wear part	Recomm. sp. part	Metr. relevance
38132202000	1	Lever with pin				
96055070000	0,001	Grease PARALIQ GA 343				
56739060000	1	Washer DIN125-A-6-A2				
38026188000	2	Plain bearing 18x20x15				
38006643000	2	Plain bearing 10x12x12				
56285180000	1	Grooved Pin DIN 1469-C5x14-6.8				
40510200211	1	tension spring				
60540246401	1	locking device, welded				
60530200062	1	mounting link				
56265100000	1	Round-Head Nail DIN 1476-4x10-A2-70				
60540246900	1	pan head screw				
60510200056	1	Pan head screw M6x7,1x7				
38071078000	1	bar				
57630440000	2	Countersunk screw DIN963 M4x12-A2-70				
60530200094	1	cover plate				
57697470000	2	Cylinder screw DIN84 M4x8-A2-70				
38099371000	1	Bearing rail preass.				
60530200067	1	collar nut				
60540247300	1	Star knob M8x18,5				
56456800000	1	Hexagon nut DIN934-M8-A2				
60510200113	1	washer 20 (1mm)				
40110201002	1	Washer 40x18,15x1 - POM				
60510200132	1	Washer				
60510200133	1	Washer 1 mm				
40110201009	1	Washer				
60510200134	1	washer 0,5mm				
60510200112	1	lock nut				
60540245900	1	Handhold 91x28 M16x1 - PA6 black				
56036120000	1	Set screw DIN551 M6x12-14H				
96055070000	0,020	Grease PARALIQ GA 343				
38004459000	0,001	Loctite 648				
95972950002	0,001	Loctite 243 50 ml				
38093767000	1	Wave Washer 36x25,2x3				
60540246101	1	lever ass.				

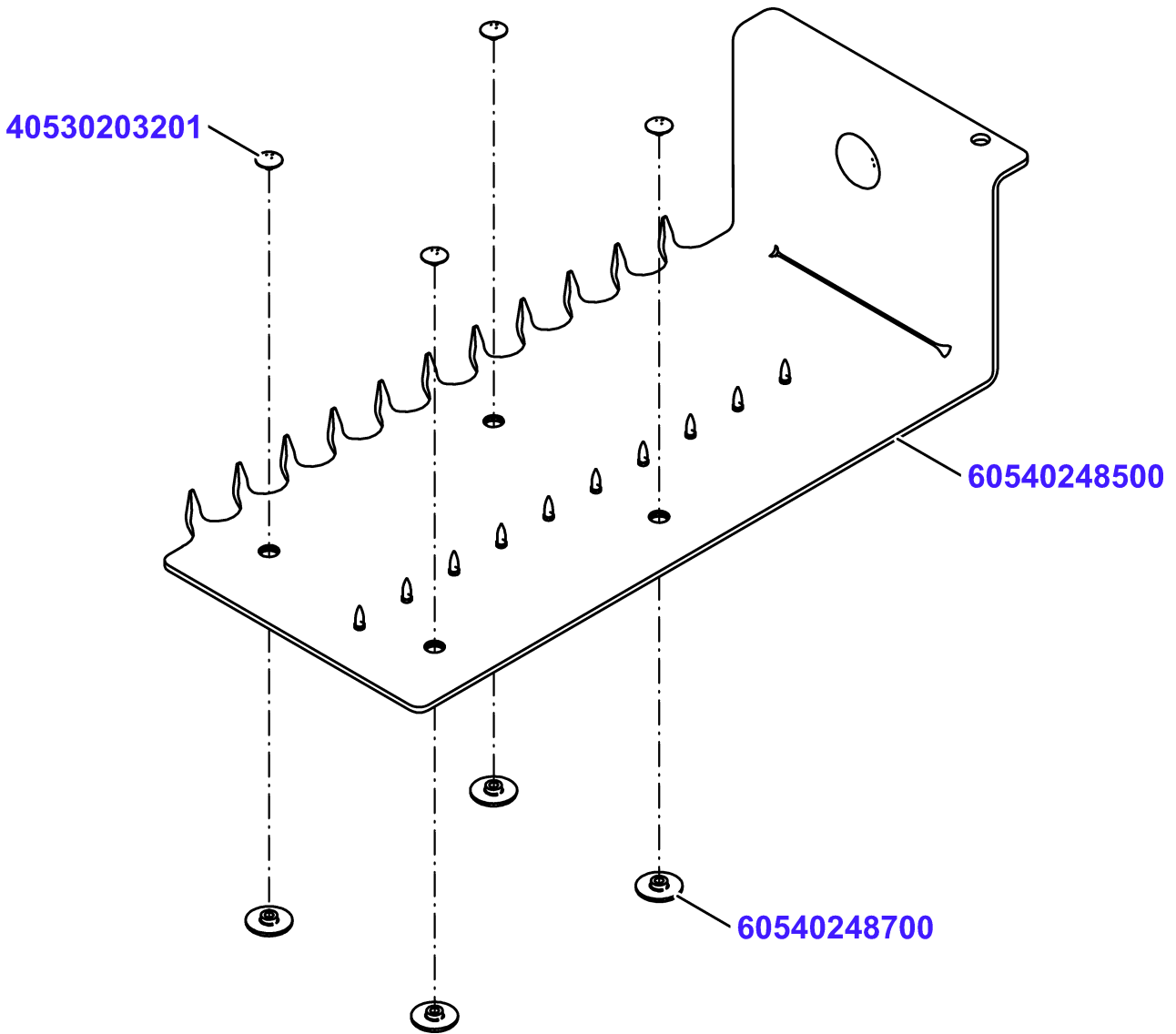
# Product holder ass.



## Product holder ass.

Material No.	Qty	Material description	available for order	Wear part	Recomm. sp. part	Metr. relevance
<a href="#">60530207200</a>	1	product holder housing preass.				
<a href="#">60510200081</a>	2	collar stud				
<a href="#">60530207000</a>	2	side frame				
<a href="#">38038982000</a>	3	Gripper Shaft cpl.				
<a href="#">38038989000</a>	1	Gripper Shaft cpl.				
<a href="#">38038997000</a>	1	Gripper Shaft cpl.				
<a href="#">56086270000</a>	1	Ball knob DIN319 M8x32 I				
<a href="#">56243100000</a>	5	Cylindrical pin EN 22338-3h11x10-A2				
<a href="#">60510200037</a>	5	Pinion				
<a href="#">40510200086</a>	2	Pressure spring				
<a href="#">38071862000</a>	2	brake pad				
<a href="#">60530207100</a>	4	Hexagon Screw M4x6 A2-70 Hygiene				
<a href="#">95972950002</a>	0,001	Loctite 243 50 ml				

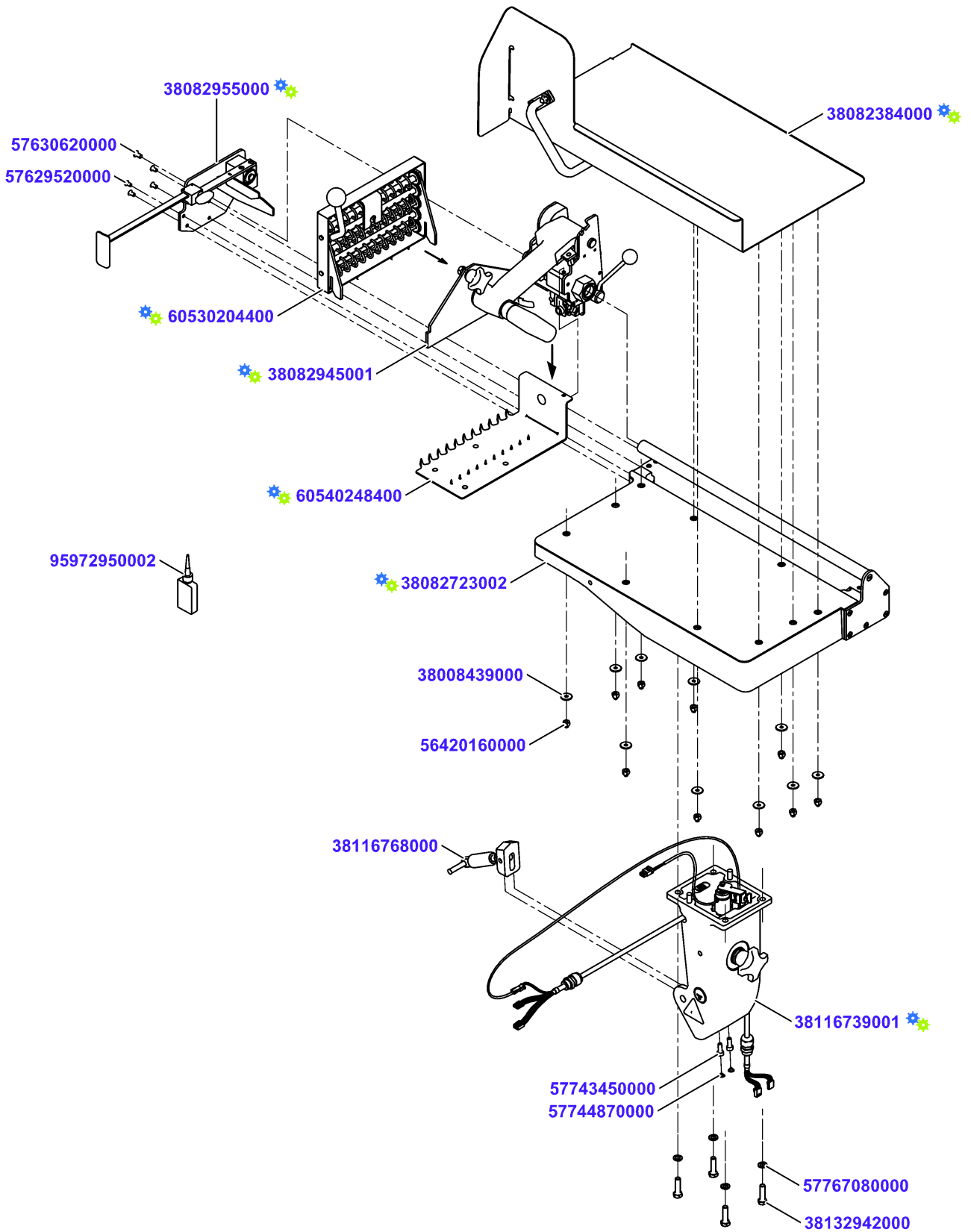
# product supporting plate ass.



# product supporting plate ass.

Material No.	Qty	Material description	available for order	Wear part	Recomm. sp. part	Metr. relevance
<a href="#">60540248500</a>	1	product supporting plate welded	✓			
<a href="#">40530203201</a>	4	push button	✓			
<a href="#">60540248700</a>	4	glide piece	✓			

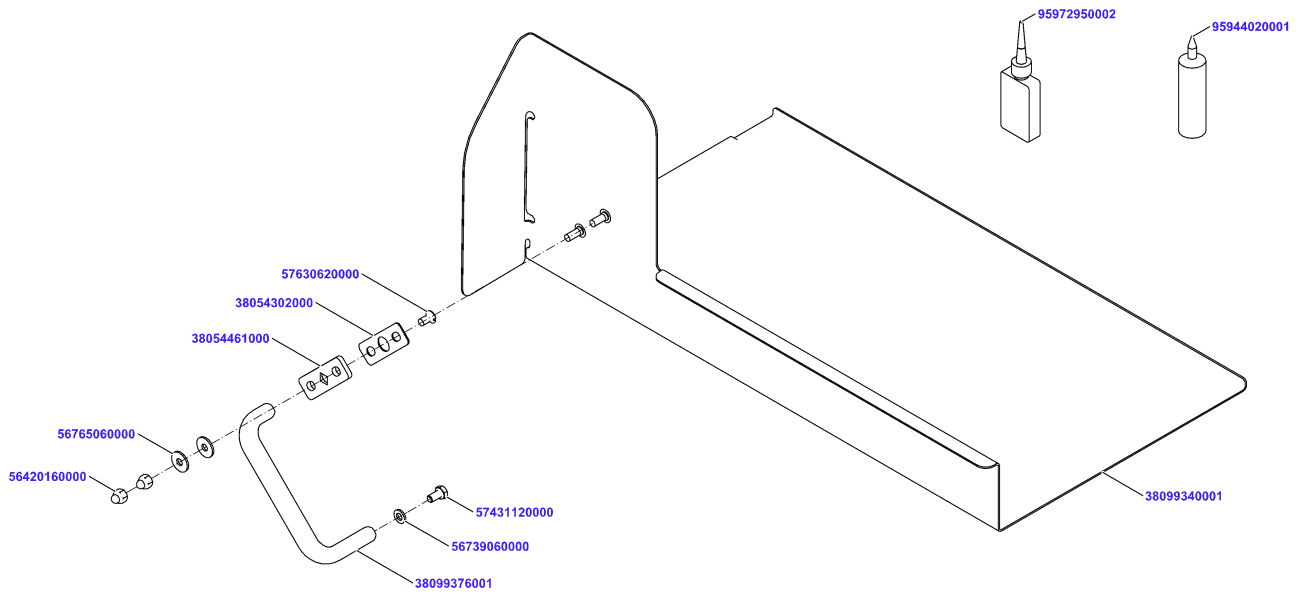
# Clamping Carriage VSI 400



# Clamping Carriage VSI 400

Material No.	Qty	Material description	available for order	Wear part	Recomm. sp. part	Metr. relevance
<a href="#">38082384000</a>	1	Carriage Plate 400 preass	✓			
<a href="#">56420160000</a>	10	Cap nut DIN986-M6-A2	✓			
<a href="#">38008439000</a>	10	Sealing washer M6	✓		✓	
<a href="#">38082723002</a>	1	Carriage 400 premounted	✓			
<a href="#">38082955000</a>	1	Product Supporter horizontal cpl	✓			
<a href="#">57629520000</a>	4	Countersunk screw DIN963 M5x10-A2-70	✓			
<a href="#">57630620000</a>	1	Countersunk screw DIN963 M6x12-A2-70	✓			
<a href="#">38116739001</a>	1	Carriage Foot low cpl.	✓			
<a href="#">38132942000</a>	4	Hexagon screw DIN 933 M8x28 A2-70	✓			
<a href="#">57767080000</a>	4	Spring lock washer DIN128-A8-A2	✓			
<a href="#">38116768000</a>	1	Gas pressure spring carriage 400 cpl	✓		✓	
<a href="#">57743450000</a>	2	Cylinder screw DIN912 M6x16-A2-70	✓			
<a href="#">95972950002</a>	0,001	Loctite 243 50 ml	✓			
<a href="#">57744870000</a>	2	Protective plug 10x5,2x3,1-PE	✓		✓	
<a href="#">38082945001</a>	1	Product Holder folding upwards preass.	✓			
<a href="#">60530204400</a>	1	Product holder ass.	✓			
<a href="#">60540248400</a>	1	product supporting plate ass.	✓			

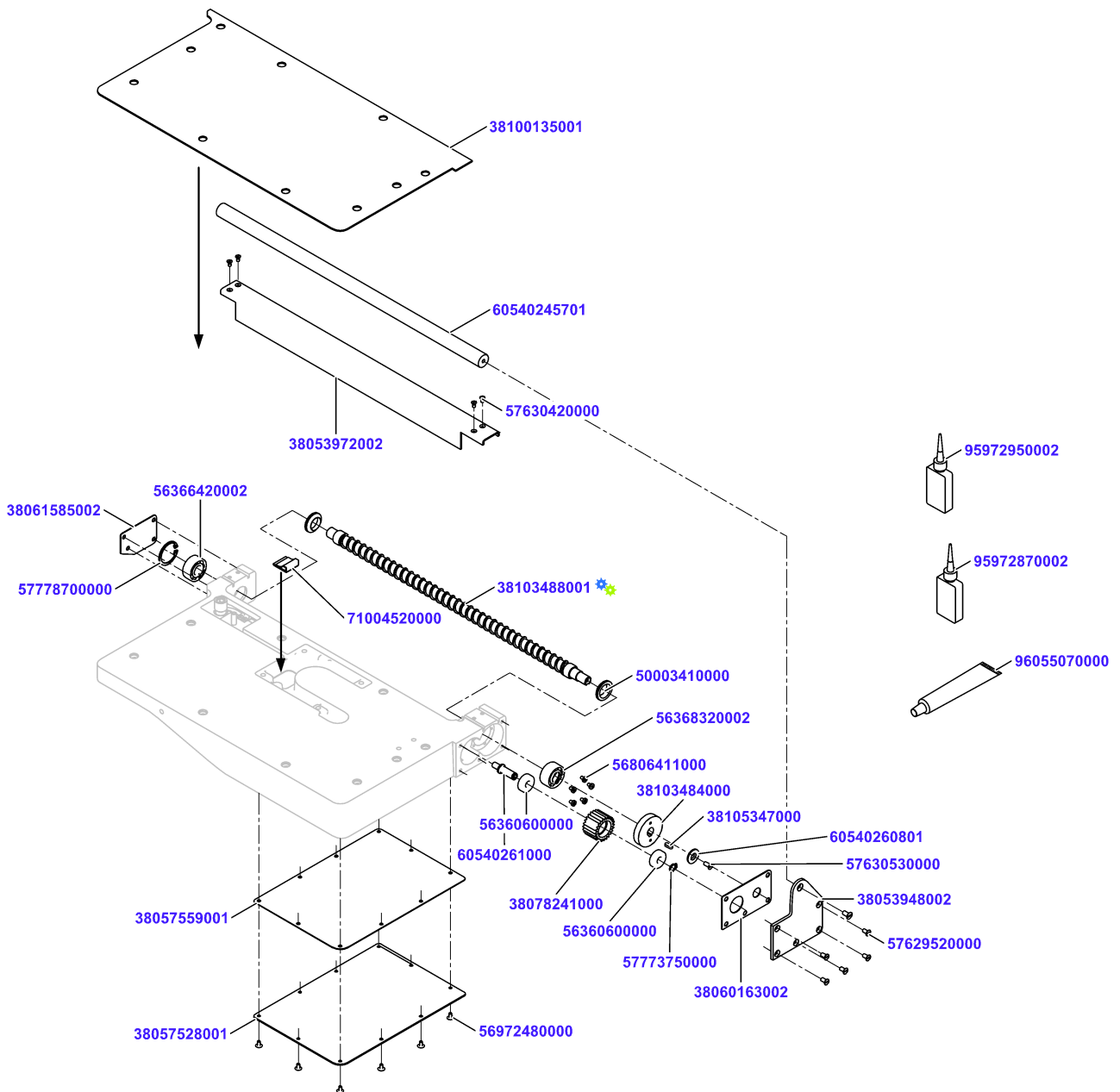
# Carriage Plate 400 preass



## Carriage Plate 400 preass

Material No.	Qty	Material description	available for order	Wear part	Recomm. sp. part	Metr. relevance
<a href="#">38099340001</a>	1	Carriage Plate welded	✓			
<a href="#">38099376001</a>	1	Handle	✓			
<a href="#">38054461000</a>	1	Plate	✓			
<a href="#">38054302000</a>	1	Gasket	✓		✓	
<a href="#">95944020001</a>	10	Silicone Rubber Elastosil E41 90ml	✓			
<a href="#">57630620000</a>	1	Countersunk screw DIN963 M6x12-A2-70	✓			
<a href="#">95972950002</a>	0,001	Loctite 243 50 ml	✓			
<a href="#">56420160000</a>	2	Cap nut DIN986-M6-A2	✓			
<a href="#">56765060000</a>	2	Washer DIN9021-6-A2	✓			
<a href="#">57431120000</a>	1	Hexagon screw DIN933 M6x12 A2-70	✓			
<a href="#">56739060000</a>	1	Washer DIN125-A-6-A2	✓			

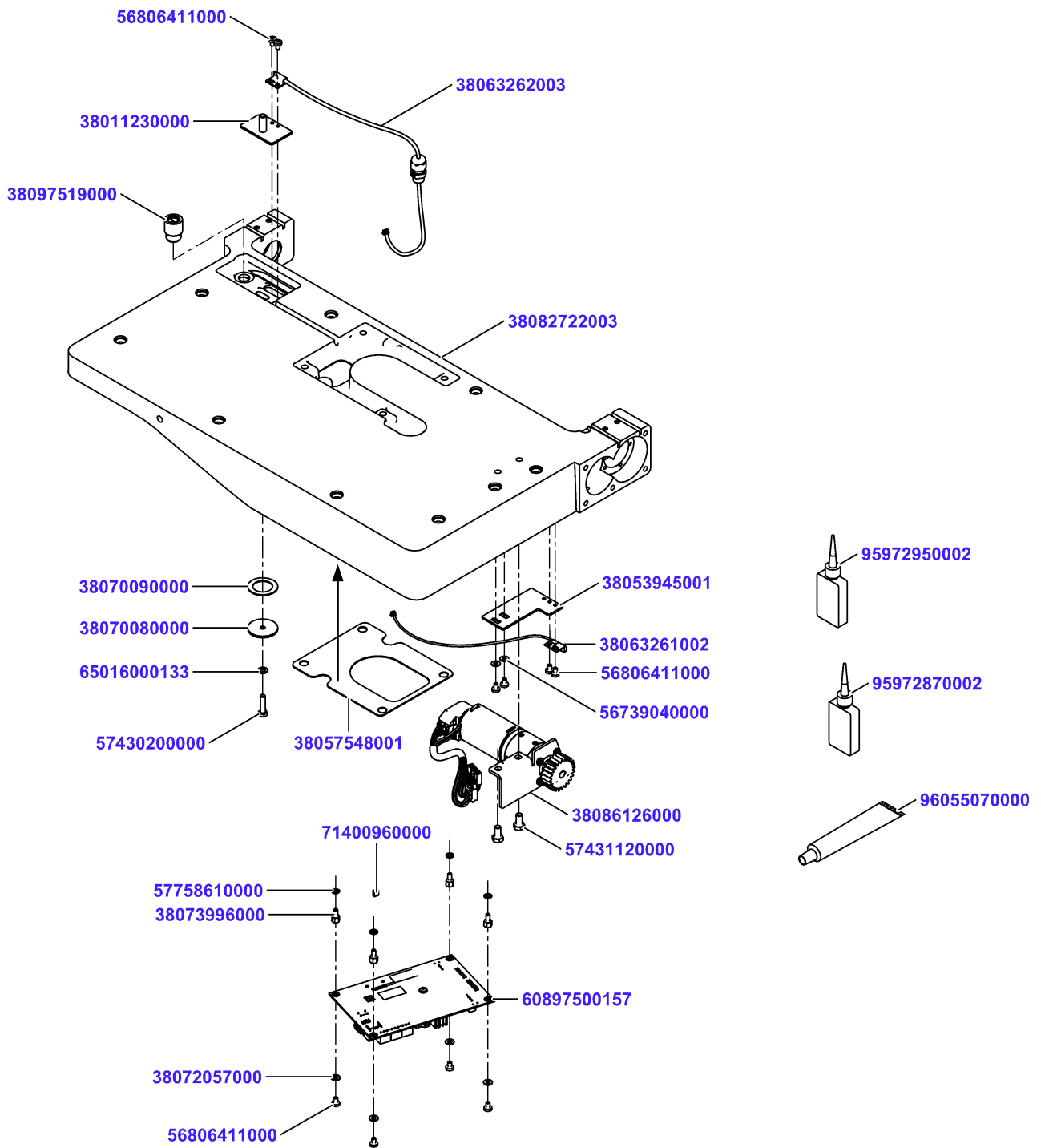
# Carriage 400 premounted



# Carriage 400 premounted

Material No.	Qty	Material description	available for order	Wear part	Recomm. sp. part	Metr. relevance
57778700000	1	Retaining ring DIN472-35x1,5	✓			
38103488001	1	Feedspindle 521xTR20x12 ass.	✓			
56806411000	5	Oval-head screw ISO14583 M4x6-A2-70-T20	✓			
95972950002	0,005	Loctite 243 50 ml	✓			
38103484000	1	Gear Wheel	✓			
38105347000	1	Parallel key DIN6885-A 5x3x14	✓			
60540260801	1	Washer	✓			
57630530000	1	Countersunk screw DIN963 M5x12-A2-70	✓			
95972950002	0,001	Loctite 243 50 ml	✓			
60540261000	1	bolt	✓			
38078241000	1	Gear Wheel	✓			
56360600000	2	Grooved ball bearing DIN625 10x26x8	✓			
57773750000	1	Retaining ring DIN471-10x1	✓			
38053972002	1	Guide Rail 400er	✓			
57630420000	4	Countersunk screw DIN963 M4x8-A2-70	✓			
56806411000	4	Oval-head screw ISO14583 M4x6-A2-70-T20	✓			
56806411000	2	Oval-head screw ISO14583 M4x6-A2-70-T20	✓			
71004520000	1	Flat Cabel Holder 3484-1000	✓			
95972870002	0,001	Loctite 638	✓			
56806411000	4	Oval-head screw ISO14583 M4x6-A2-70-T20	✓			
38053948002	1	Flange	✓			
38060163002	1	Sealing	✓		✓	
57629520000	5	Countersunk screw DIN963 M5x10-A2-70	✓			
38061585002	1	sealing	✓		✓	
60540245701	1	guide shaft	✓			
95972950002	0,001	Loctite 243 50 ml	✓			
38100135001	1	Flat Seal Carriage Plate 400	✓		✓	
38057528001	1	Cover 255,4x177,4x2	✓		✓	
38057559001	1	Seal Cover	✓		✓	
56972480000	10	Mushroom head screw M4x8-A2-70 Tuflok	✓			
50003410000	2	Wiper ring 30x20x7	✓			
56368320002	1	Angular bearing double-row 15x35x15,9	✓			
56366420002	1	Self-Aligning Ball Bearing 2202	✓			

# Carriage 400 premounted










# Carriage 400 premounted

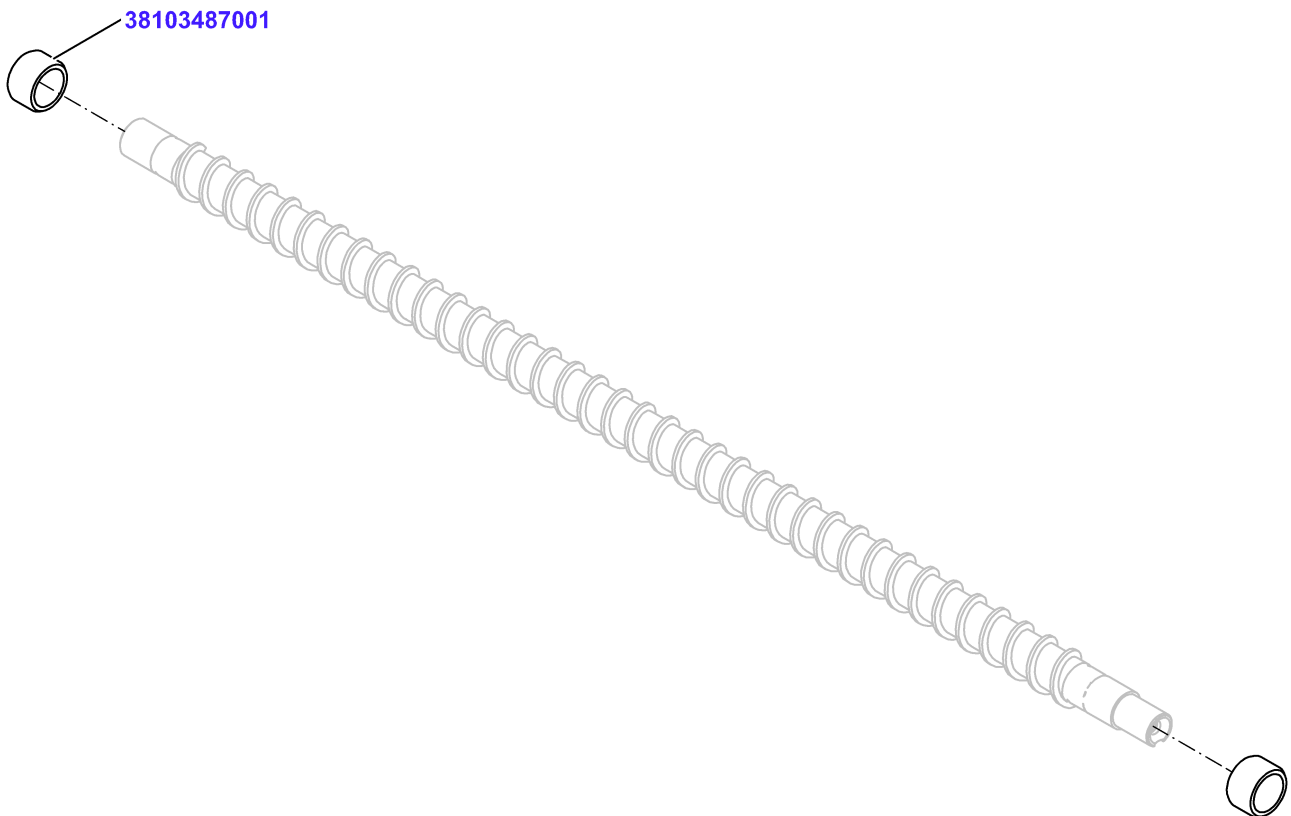
Material No.	Qty	Material description	available for order	Wear part	Recomm. sp. part	Metr. relevance
38082722003	1	Carriage Carrier 400 machined	✓			
56806411000	5	Oval-head screw ISO14583 M4x6-A2-70-T20	✓			
95972950002	0,005	Loctite 243 50 ml	✓			
95972950002	0,001	Loctite 243 50 ml	✓			
38053945001	1	Board	✓			
38063261002	1	Sensor product feeding 1 VSI	✓			
56806411000	4	Oval-head screw ISO14583 M4x6-A2-70-T20	✓			
56739040000	2	Washer DIN125-A 4.3-A2-70	✓			
38011230000	1	Board cpl	✓			
38063262003	1	Sensor product feeding 2 VSI	✓			
56806411000	2	Oval-head screw ISO14583 M4x6-A2-70-T20	✓			
38070080000	1	Washer	✓			
38070090000	1	Sealing	✓		✓	
57430200000	1	Hexagon screw DIN933 M5x20 A2-70	✓			
65016000133	1	Washer 5-PA	✓			
38097519000	1	Sleeve 18 x 10 x 24.25	✓			
95972870002	0,001	Loctite 638	✓			
38086126000	1	Motor Product Feeding BG42x15 cpl	✓			
57431120000	2	Hexagon screw DIN933 M6x12 A2-70	✓			
60897500157	1	PCBAP MC 3ph 2ch lv bus	✓			
71400960000	1	Short Circuit Bracket 3131 731000406	✓		✓	
57758610000	4	Toothed washer DIN6797-A 4,3-Fst	✓			
38073996000	4	Distance bolt SW7x6 M4-M4 In-Out	✓			
56806411000	4	Oval-head screw ISO14583 M4x6-A2-70-T20	✓			
38072057000	4	Washer DIN125-A-4-PA6	✓			
95972950002	0,001	Loctite 243 50 ml	✓			
38057548001	1	Seal	✓		✓	

## **Carriage 400 premounted**

## Carriage 400 premounted

Material No.	Qty	Material description	available for order	Wear part	Recomm. sp. part	Metr. relevance
<a href="#">96055080000</a>	0,001	Kluebersynth UH1 64-62/25kg				
<a href="#">96055080000</a>	0,001	Kluebersynth UH1 64-62/25kg				
<a href="#">96055080000</a>	0,001	Kluebersynth UH1 64-62/25kg				
<a href="#">57630620000</a>	1	Countersunk screw DIN963 M6x12-A2-70				
<a href="#">96055080000</a>	0,001	Kluebersynth UH1 64-62/25kg				
<a href="#">96055080000</a>	0,001	Kluebersynth UH1 64-62/25kg				
<a href="#">96055080000</a>	0,001	Kluebersynth UH1 64-62/25kg				

## Feedspindle 521xTR20x12 ass.



# Feedspindle 521xTR20x12 ass.

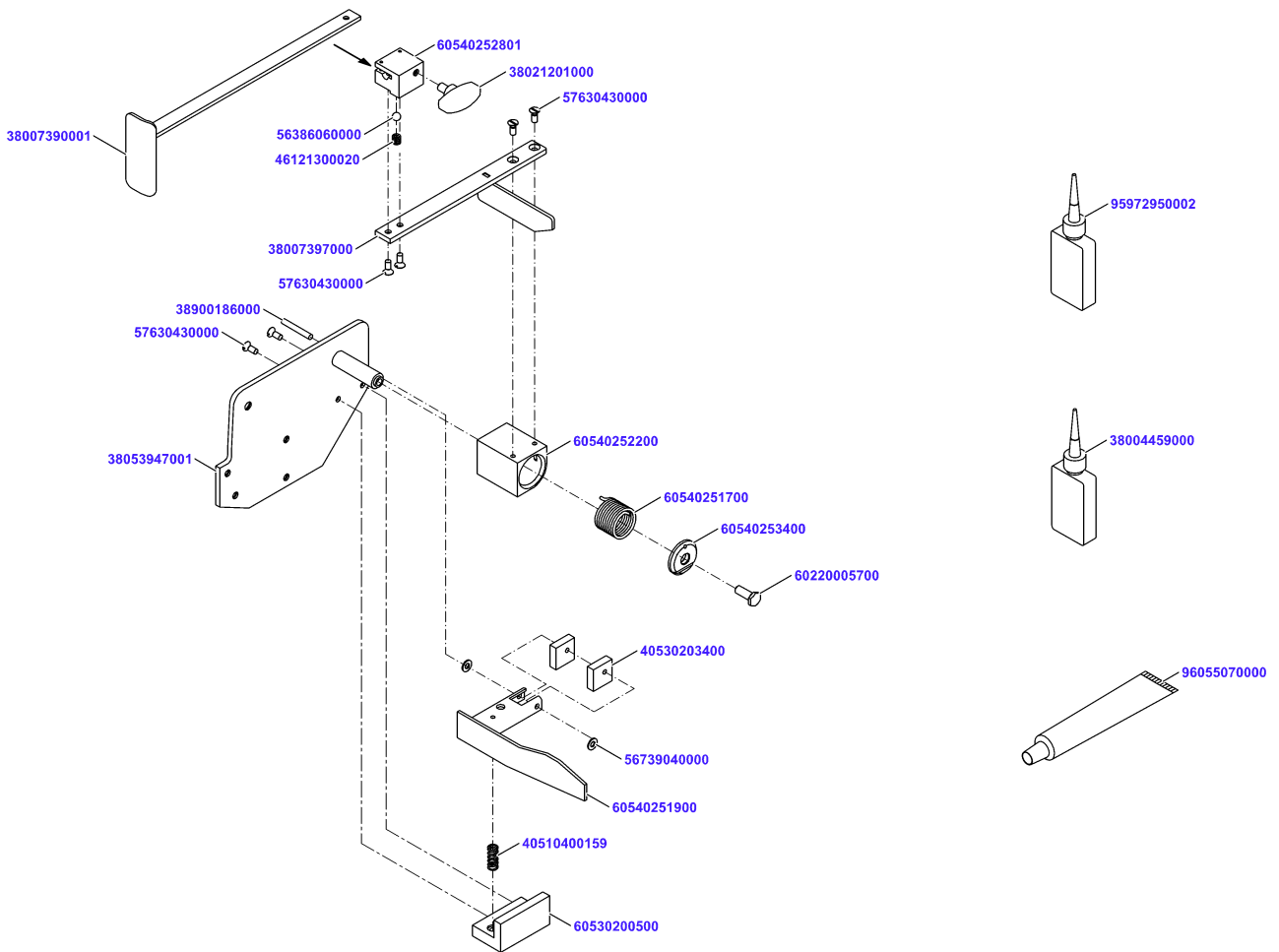
**Material No.**    **Qty**    **Material description**

38103487001    2    Ring 12x20x15H7






















available for order
Wear part
Recomm. sp. part
Metr. relevance



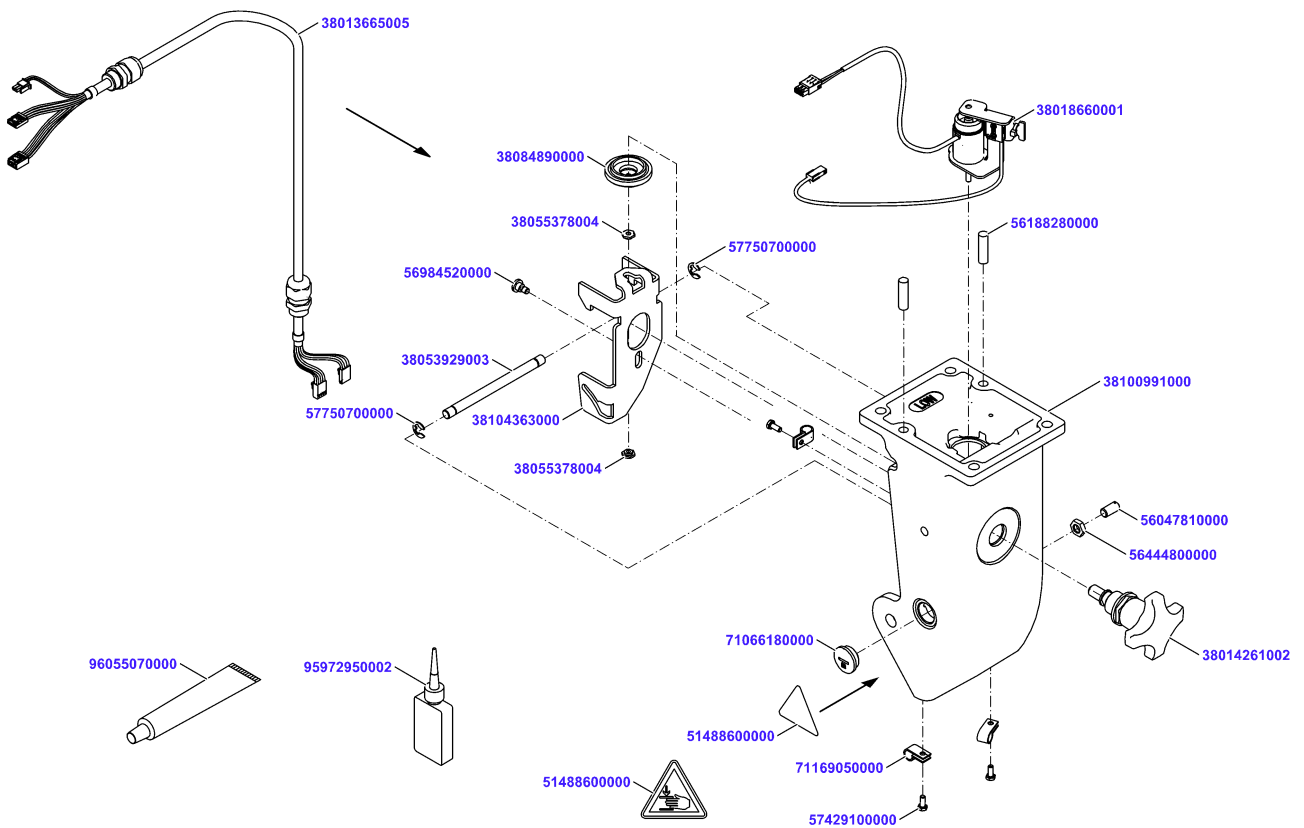
# Product Supporter horizontal cpl



## Product Supporter horizontal cpl

Material No.	Qty	Material description	available for order	Wear part	Recomm. sp. part	Metr. relevance
<a href="#">38053947001</a>	1	Mounting with Shaft				
<a href="#">60540251900</a>	1	Lever welded complete				
<a href="#">40530203400</a>	2	buffer				
<a href="#">38900186000</a>	1	Cylindrical pin DIN7-4m6x28-A2				
<a href="#">56739040000</a>	2	Washer DIN125-A 4.3-A2-70				
<a href="#">40510400159</a>	1	pressure spring				
<a href="#">60530200500</a>	1	supporting angle				
<a href="#">57630430000</a>	6	Countersunk screw DIN963 M4x10-A2-70				
<a href="#">95972950002</a>	0,001	Loctite 243 50 ml				
<a href="#">60540252200</a>	1	hub preass.				
<a href="#">60540251700</a>	1	spring				
<a href="#">96055070000</a>	0,005	Grease PARALIQ GA 343				
<a href="#">60540253400</a>	1	tightening disk				
<a href="#">60220005700</a>	1	hexagon screw oval-head M 6x16				
<a href="#">38004459000</a>	0,001	Loctite 648				
<a href="#">38007397000</a>	1	Cantilever welded				
<a href="#">60540252801</a>	1	take up device preassembled				
<a href="#">56386060000</a>	1	Ball DIN5401 6-1.4034				
<a href="#">46121300020</a>	1	PRESSURE SPRING 6121300020				
<a href="#">38021201000</a>	1	Wing screw M6x10-1.4308				
<a href="#">38007390001</a>	1	Holder welded				

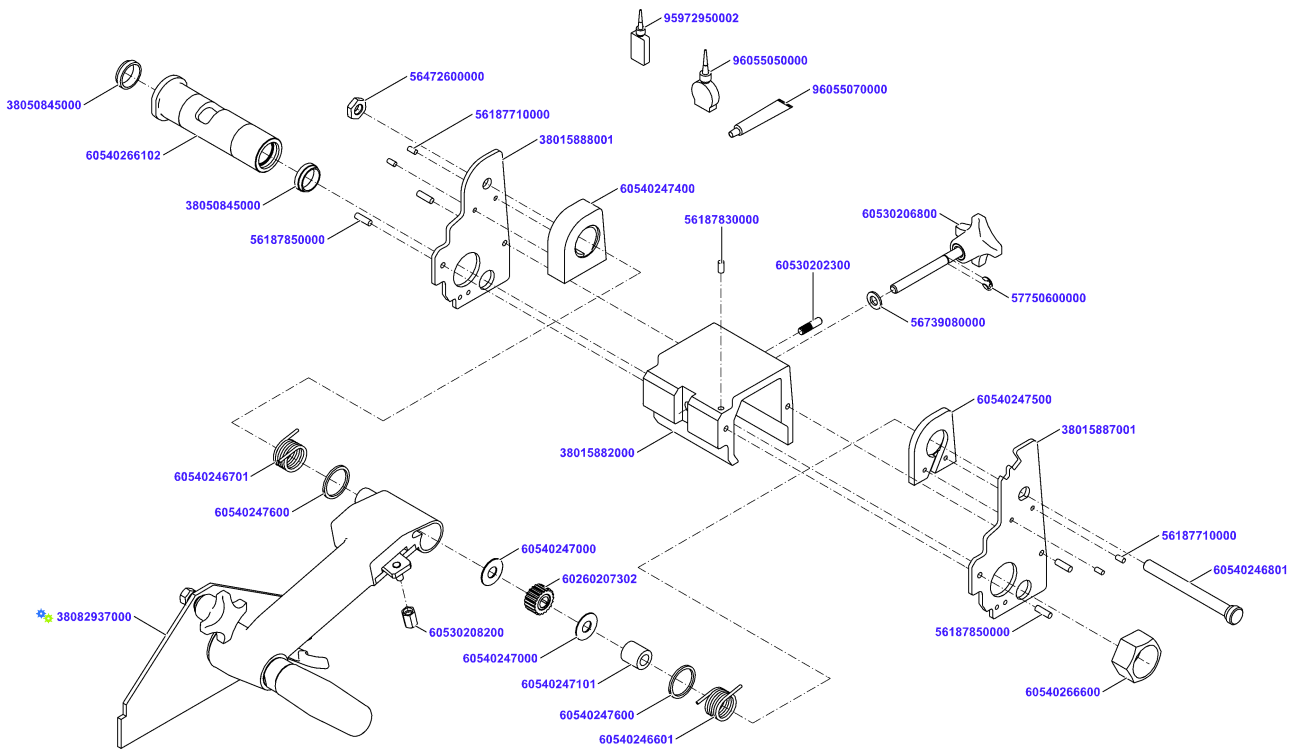
# Carriage Foot low cpl.



# Carriage Foot low cpl.

Material No.	Qty	Material description	available for order	Wear part	Recomm. sp. part	Metr. relevance
<a href="#">38100991000</a>	1	Carriage Foot low hygienic mach	✓			
<a href="#">56188280000</a>	2	Cylindrical pin EN 22338-8m6x28-A2	✓			
<a href="#">56047810000</a>	1	Set screw DIN551 M8x16-PA 66	✓			
<a href="#">56444800000</a>	1	Hexagon nut DIN439-M8-A2	✓			
<a href="#">38018660001</a>	1	Magnet preass	✓	✓		
<a href="#">38084890000</a>	1	Cap preass	✓			
<a href="#">38055378004</a>	2	Hexagon nut	✓			
<a href="#">95972950002</a>	0,001	Loctite 243 50 ml	✓			
<a href="#">38104363000</a>	1	Interlock	✓			
<a href="#">96055070000</a>	0,001	Grease PARALIQ GA 343	✓			
<a href="#">56984520000</a>	1	Pan head screw DIN923 M5x4A2-70	✓			
<a href="#">71066180000</a>	1	Blind plug BLK- M20	✓			
<a href="#">38014261002</a>	1	Handle preass.	✓			
<a href="#">38053929003</a>	1	Stop Bolt	✓			
<a href="#">57750700000</a>	2	Retaining washer DIN6799-7	✓			
<a href="#">71169050000</a>	3	Cable Clamp nylon 7,4mm NK-5N	✓			
<a href="#">38013665005</a>	1	Ka Rd 12x24AWG 0,87m	✓			
<a href="#">57429100000</a>	3	Hexagon screw DIN933 M4x10 A2-70	✓			
<a href="#">51488600000</a>	1	Warning Plate Hand Injury 7.29K	✓			

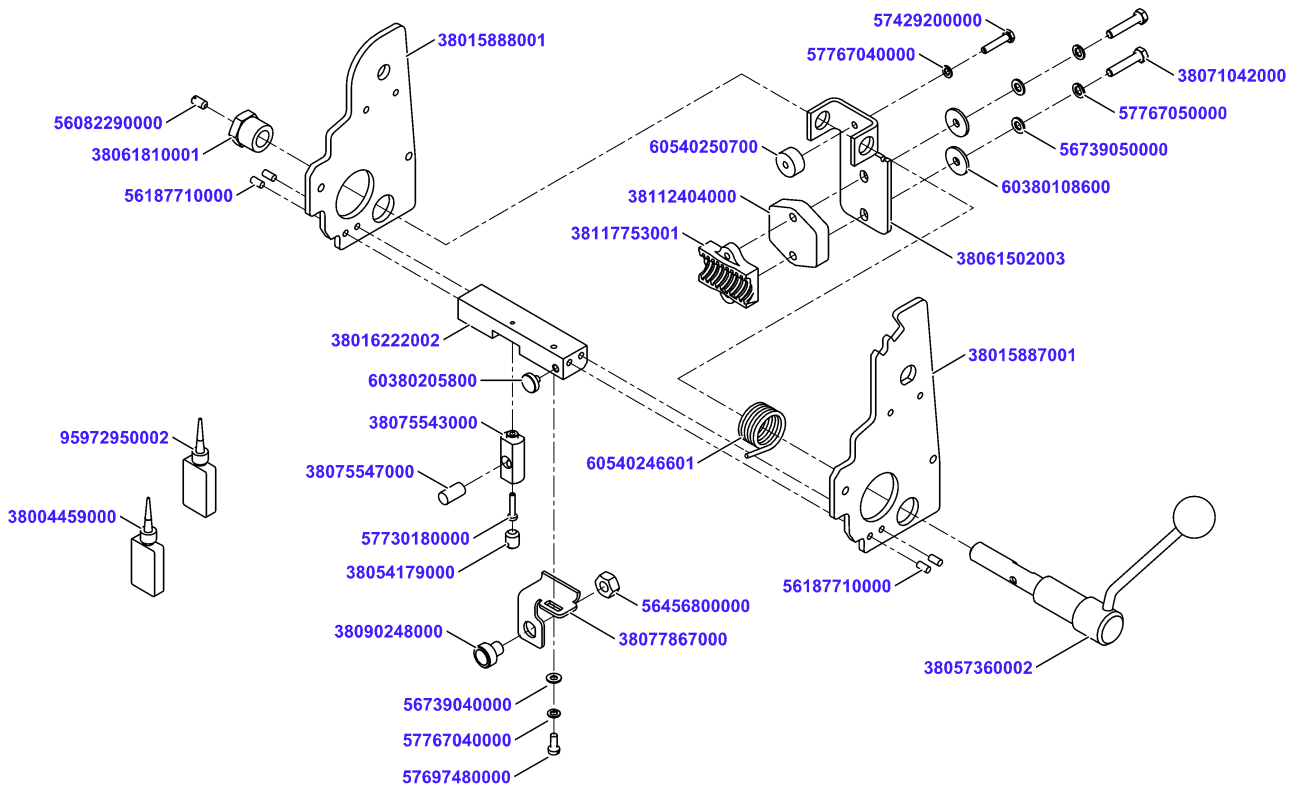
# Product Holder folding upwards preass.



## Product Holder folding upwards preass.

Material No.	Qty	Material description	available for order	Wear part	Recomm. sp. part	Metr. relevance
38015882000	1	Product Holder Guide	✓			
56187830000	1	Cylindrical pin EN 22338-5m6x10-A2	✓			
60530202300	1	PIN	✓			
60530206800	1	locking handle assembled	✓			
56739080000	1	Washer DIN125-A-8-A2	✓			
57750600000	1	Retaining washer DIN6799-6	✓			
38015887001	1	Side Cover left	✓			
38015888001	1	Side Cover right	✓			
60540266102	1	Bushing complete	✓	✓		
38050845000	2	Deflector Ring	✓			
60540266600	1	hex nut	✓			
56187850000	4	Cylindrical pin EN 22338-5m6x16-A2	✓			
60540246601	1	Torsion spring left	✓			
95972950002	0,001	Loctite 243 50 ml	✓			
56187710000	4	Cylindrical pin EN 22338-4m6x8-A2	✓			
38082937000	1	Lever compl for the Product Holder	✓			
60540247000	2	washer	✓			
60540246801	1	Shaft	✓			
56472600000	1	Hexagon nut DIN439-M10x1-A2-70	✓			
60530208200	1	cap nut	✓			
60540246601	1	Torsion spring left	✓			
60540246701	1	Torsion spring right	✓			
60540247101	1	spacer bushing	✓			
60540247400	1	counter bearing	✓			
60540247500	1	counter bearing	✓			
60540247600	2	washer	✓			
60260207302	1	Control Gear	✓			
56187710000	4	Cylindrical pin EN 22338-4m6x8-A2	✓			
96055070000	0,001	Grease PARALIQ GA 343	✓			
96055050000	0,001	Lubricating Oil F.L.5 Oil UH1	✓			

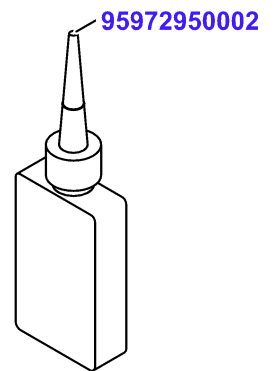
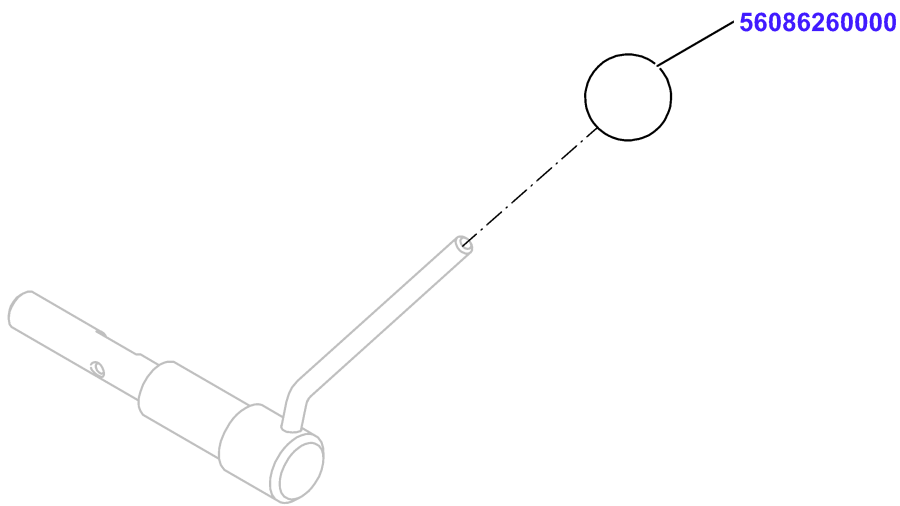
# Product Holder folding upwards preass.



## Product Holder folding upwards preass.

Material No.	Qty	Material description	available for order	Wear part	Recomm. sp. part	Metr. relevance
38015887001	1	Side Cover left	✓			
38015888001	1	Side Cover right	✓			
38057360002	1	Bolt cpl	✓			
38061502003	1	Holder	✓			
60540246601	1	Torsion spring left	✓			
60540250700	1	actuator	✓			
57767040000	1	Spring lock washer DIN128-A4-FSt	✓			
57429200000	1	Hexagon screw DIN933 M4x20 A2-70	✓			
38071042000	2	Hexagon screw DIN933 M5x25 A2-70	✓			
57767050000	2	Spring lock washer DIN128-A5-FSt	✓			
56739050000	2	Washer DIN125-A-5-A2	✓			
60380108600	2	Washer	✓			
38112404000	1	Spacer plate 40x40x10	✓			
38117753001	1	Nut Plate TR20X12P4	✓	✓	✓	
95972950002	0,001	Loctite 243 50 ml	✓			
38061810001	1	Screw Nut	✓			
38004459000	0,001	Loctite 648	✓			
56082290000	1	Set screw DIN438 M5x10-A2-70	✓			
38016222002	1	Bar	✓			
60380205800	1	SLIDE PIN	✓			
56187710000	4	Cylindrical pin EN 22338-4m6x8-A2	✓			
38077867000	1	Magnet Base	✓			
38090248000	1	Magnet Vacodym 370 wz round 10x4 preass	✓		✓	
56456800000	1	Hexagon nut DIN934-M8-A2	✓			
57697480000	1	Cylinder screw DIN84 M4x10-A2-70	✓			
56739040000	1	Washer DIN125-A 4.3-A2-70	✓			
57767040000	1	Spring lock washer DIN128-A4-FSt	✓			
60540246601	1	Torsion spring left	✓			
56187710000	4	Cylindrical pin EN 22338-4m6x8-A2	✓			
38075543000	1	Mounting Pin	✓			
57730180000	1	Oval-head screw ISO14583 M3x16-A2-70-T10	✓			
38075547000	1	Parallel Pin 8x15	✓			
38054179000	1	Set screw DIN438 M8x10-A2-70	✓			

# Bolt cpl

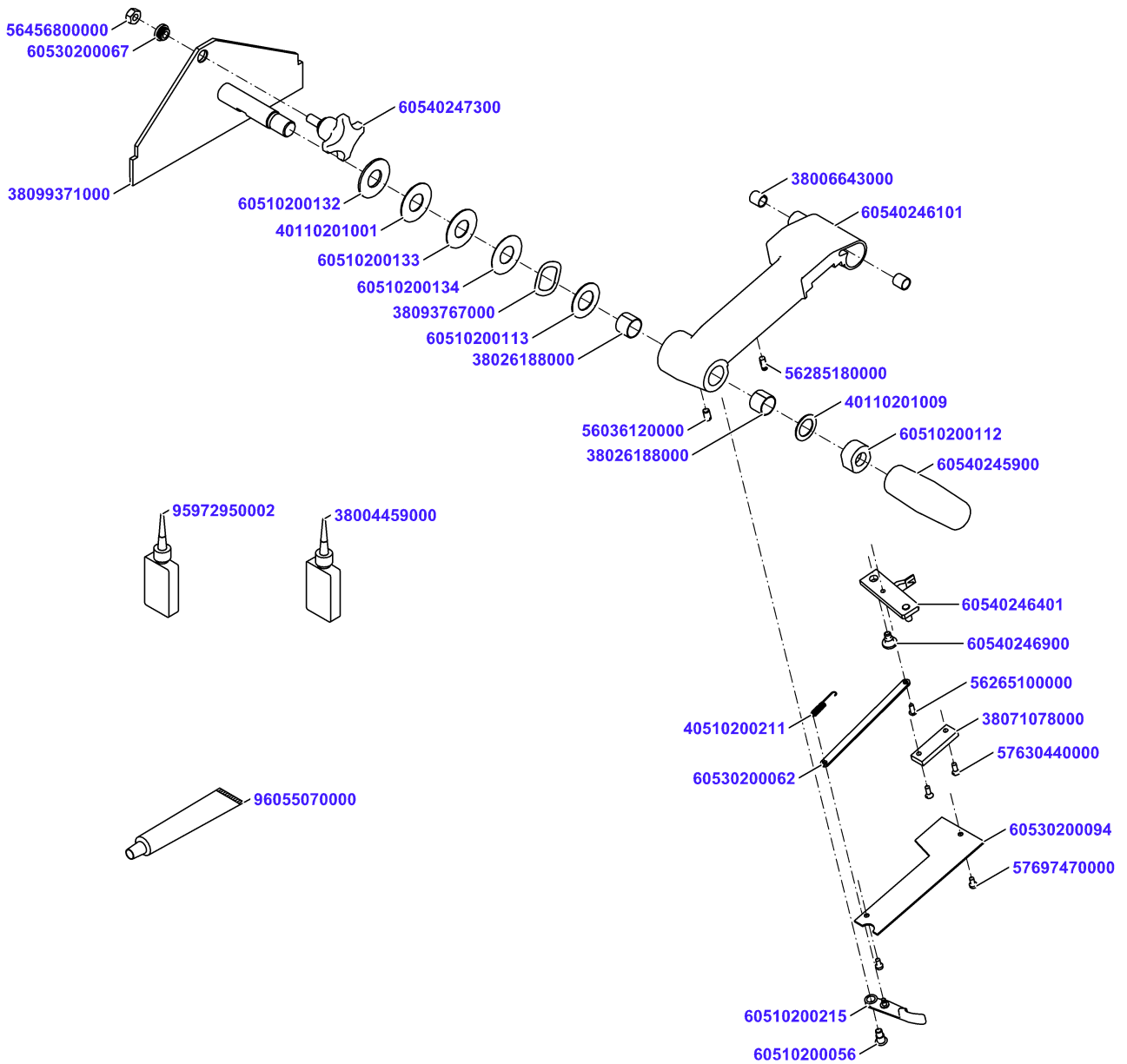


# Bolt cpl

Material No.	Qty	Material description
<a href="#">56086260000</a>	1	Ball knob DIN319 M6x25 I
<a href="#">95972950002</a>	0,001	Loctite 243 50 ml

available for order
Wear part
Recomm. sp. part
Metr. relevance

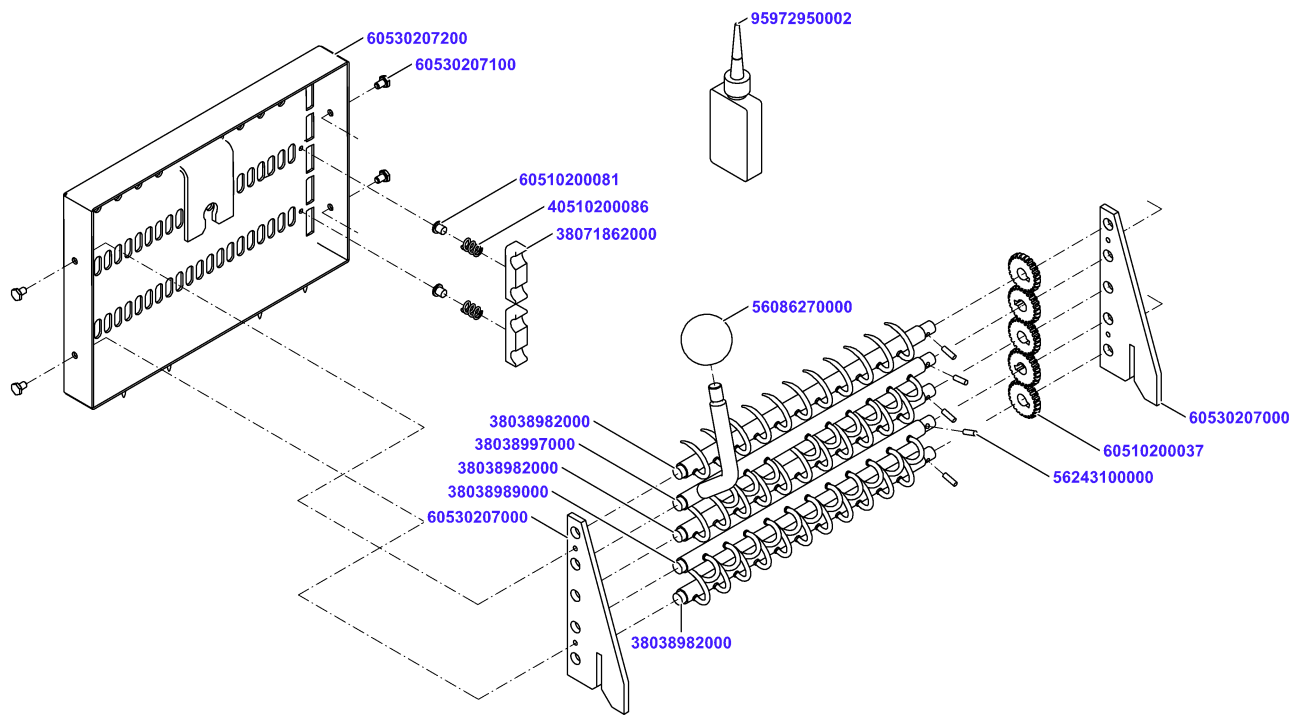
# Lever compl for the Product Holder
















## Lever compl for the Product Holder

Material No.	Qty	Material description	available for order	Wear part	Recomm. sp. part	Metr. relevance
38132202000	1	Lever with pin				
96055070000	0,001	Grease PARALIQ GA 343				
56739060000	1	Washer DIN125-A-6-A2				
38026188000	2	Plain bearing 18x20x15				
38006643000	2	Plain bearing 10x12x12				
56285180000	1	Grooved Pin DIN 1469-C5x14-6.8				
40510200211	1	tension spring				
60540246401	1	locking device, welded				
60530200062	1	mounting link				
56265100000	1	Round-Head Nail DIN 1476-4x10-A2-70				
60540246900	1	pan head screw				
60510200056	1	Pan head screw M6x7,1x7				
38071078000	1	bar				
57630440000	2	Countersunk screw DIN963 M4x12-A2-70				
60530200094	1	cover plate				
57697470000	2	Cylinder screw DIN84 M4x8-A2-70				
38099371000	1	Bearing rail preass.				
60530200067	1	collar nut				
60540247300	1	Star knob M8x18,5				
56456800000	1	Hexagon nut DIN934-M8-A2				
60510200113	1	washer 20 (1mm)				
40110201002	1	Washer 40x18,15x1 - POM				
60510200132	1	Washer				
60510200133	1	Washer 1 mm				
40110201009	1	Washer				
60510200134	1	washer 0,5mm				
60510200112	1	lock nut				
60540245900	1	Handhold 91x28 M16x1 - PA6 black				
56036120000	1	Set screw DIN551 M6x12-14H				
96055070000	0,020	Grease PARALIQ GA 343				
38004459000	0,001	Loctite 648				
95972950002	0,001	Loctite 243 50 ml				
38093767000	1	Wave Washer 36x25,2x3				
60540246101	1	lever ass.				

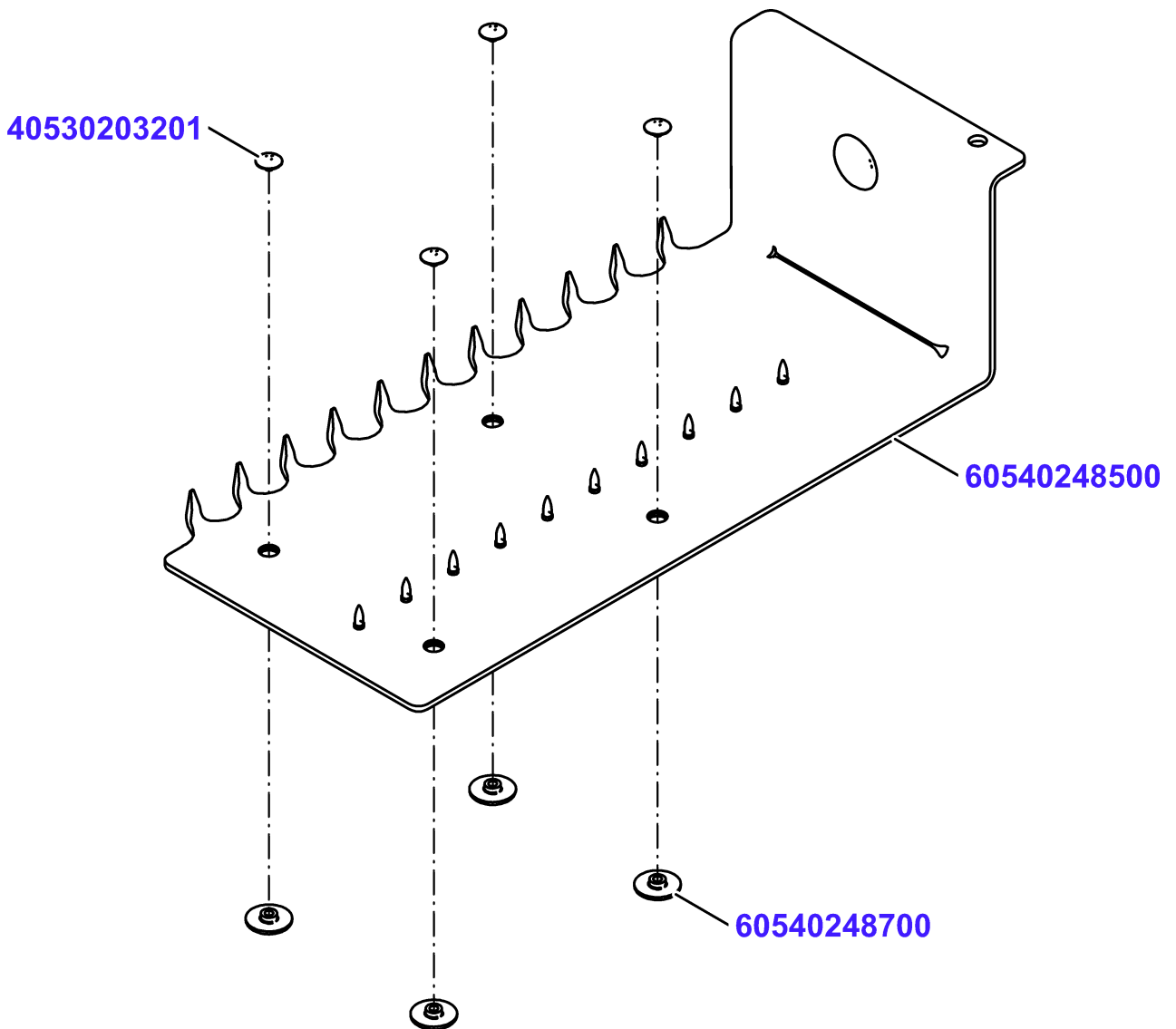
# Product holder ass.



## Product holder ass.

Material No.	Qty	Material description	available for order	Wear part	Recomm. sp. part	Metr. relevance
<a href="#">60530207200</a>	1	product holder housing preass.				
<a href="#">60510200081</a>	2	collar stud				
<a href="#">60530207000</a>	2	side frame				
<a href="#">38038982000</a>	3	Gripper Shaft cpl.				
<a href="#">38038989000</a>	1	Gripper Shaft cpl.				
<a href="#">38038997000</a>	1	Gripper Shaft cpl.				
<a href="#">56086270000</a>	1	Ball knob DIN319 M8x32 I				
<a href="#">56243100000</a>	5	Cylindrical pin EN 22338-3h11x10-A2				
<a href="#">60510200037</a>	5	Pinion				
<a href="#">40510200086</a>	2	Pressure spring				
<a href="#">38071862000</a>	2	brake pad				
<a href="#">60530207100</a>	4	Hexagon Screw M4x6 A2-70 Hygiene				
<a href="#">95972950002</a>	0,001	Loctite 243 50 ml				

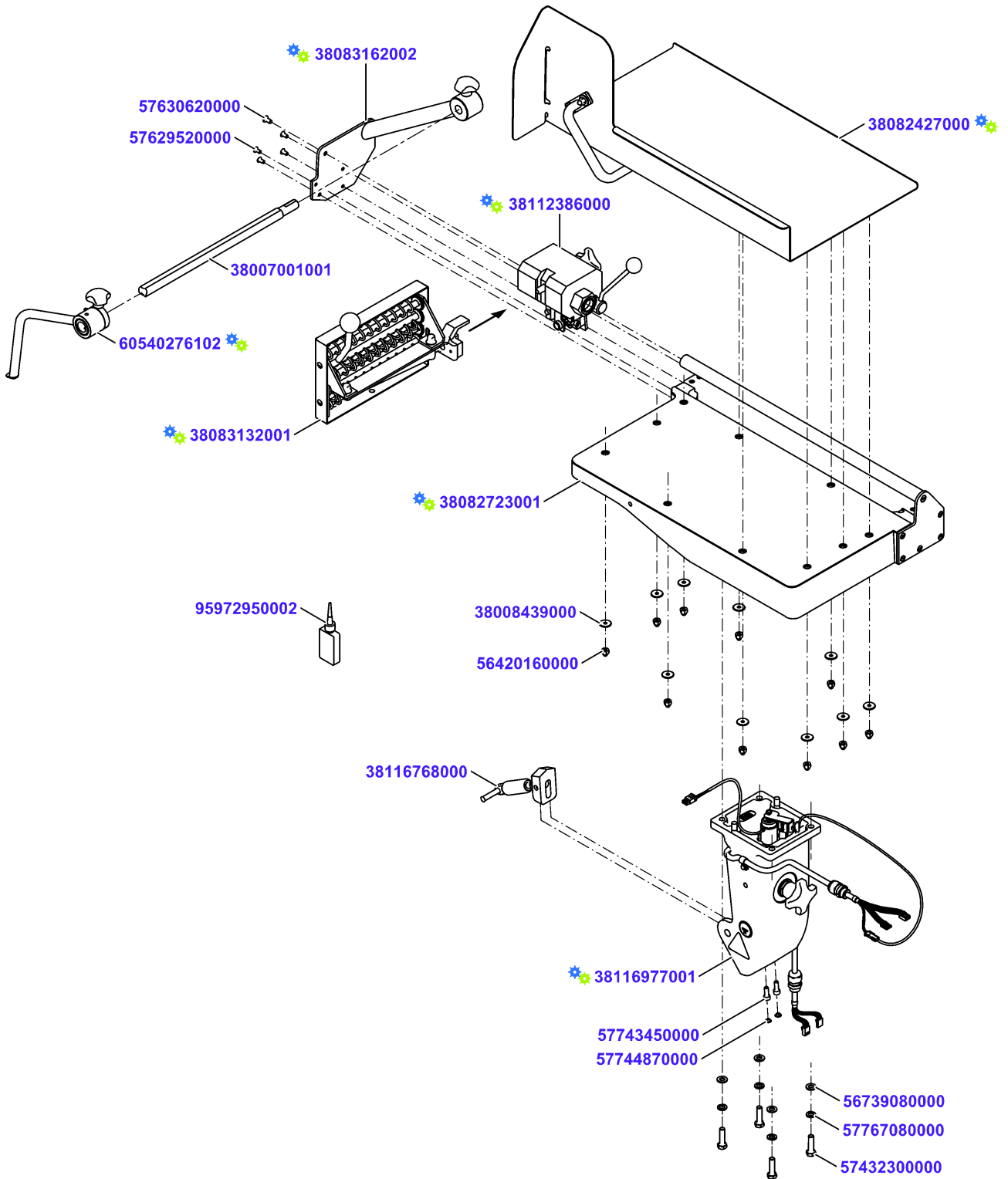
# product supporting plate ass.



## product supporting plate ass.

Material No.	Qty	Material description	available for order	Wear part	Recomm. sp. part	Metr. relevance
<a href="#">60540248500</a>	1	product supporting plate welded				
<a href="#">40530203201</a>	4	push button				
<a href="#">60540248700</a>	4	glide piece				

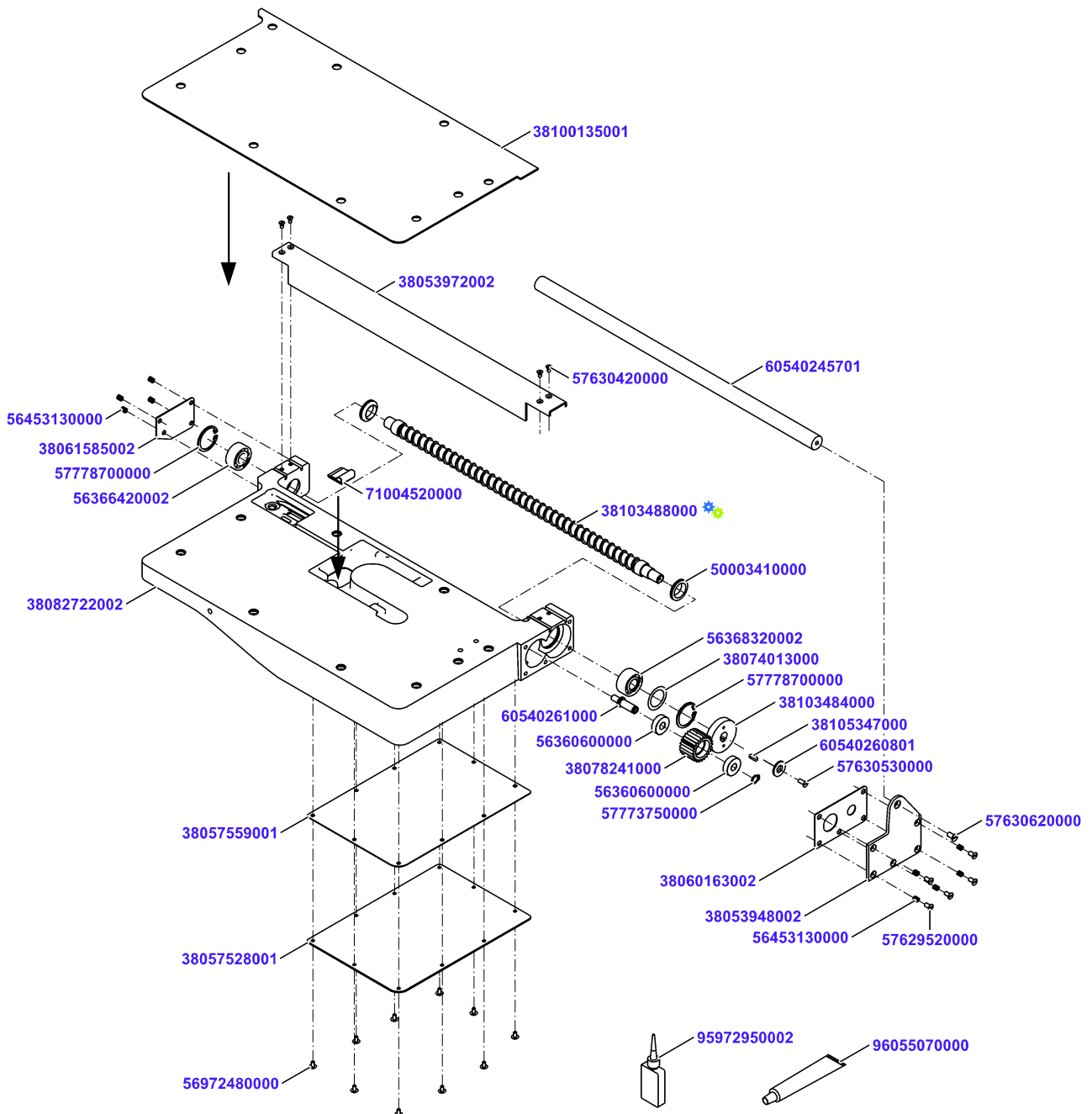
# Carriage 400 NSF



# Carriage 400 NSF

Material No.	Qty	Material description	available for order	Wear part	Recomm. sp. part	Metr. relevance
38082723001	1	Carriage 400 cpl				
38082427000	1	Carriage Plate 400 preass	✓			
56420160000	10	Cap nut DIN986-M6-A2	✓			
38008439000	10	Sealing washer M6	✓		✓	
38083162002	1	Product Supporter top NSF cpl				
57629520000	4	Countersunk screw DIN963 M5x10-A2-70	✓			
57630620000	1	Countersunk screw DIN963 M6x12-A2-70	✓			
38116977001	1	Carriage Foot high cpl.				
57432300000	4	Hexagon screw DIN933 M8x30 A2-70	✓			
57767080000	4	Spring lock washer DIN128-A8-A2	✓			
38116768000	1	Gas pressure spring carriage 400 cpl	✓		✓	
57743450000	2	Cylinder screw DIN912 M6x16-A2-70	✓			
95972950002	0,001	Loctite 243 50 ml	✓			
57744870000	2	Protective plug 10x5,2x3,1-PE	✓		✓	
38083132001	1	Product Holder cpl. VSI				
38112386000	1	Product Holder Guide NSF cpl	✓			
38007001001	1	Axis 18x342	✓			
60540276102	1	Holding Down Device ass.	✓			

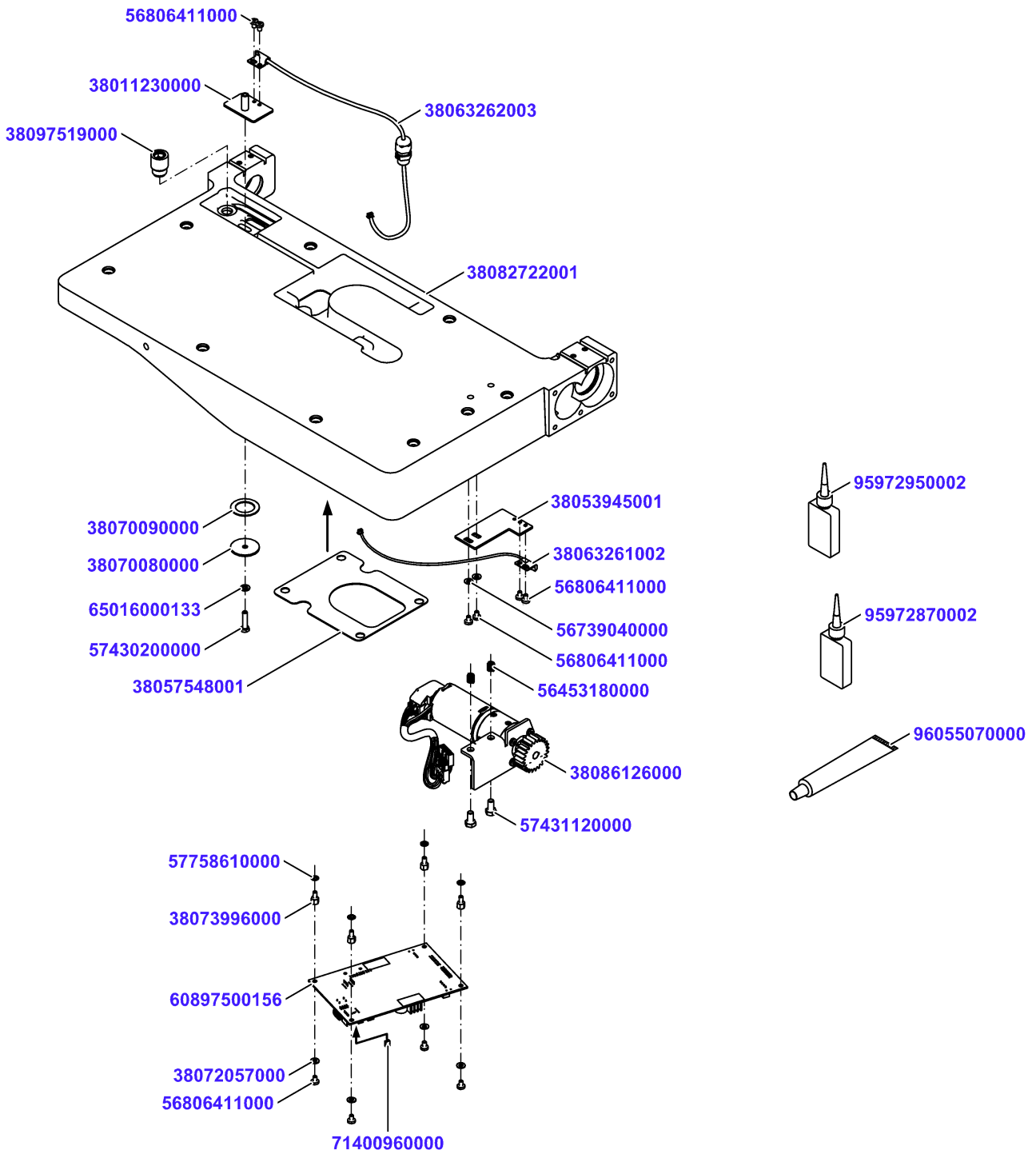
# Carriage 400 cpl



# Carriage 400 cpl

Material No.	Qty	Material description	available for order	Wear part	Recomm. sp. part	Metr. relevance
38082722002	1	Carriage 400 Cast machined	✓			
56453130000	9	Thread insert M5x7,5-A2	✓			
56366420002	1	Self-Aligning Ball Bearing 2202	✓			
57778700000	1	Retaining ring DIN472-35x1,5	✓			
50003410000	1	Wiper ring 30x20x7	✓			
38103488000	1	feed spindle ass.	✓			
50003410000	1	Wiper ring 30x20x7	✓			
56368320002	1	Angular bearing double-row 15x35x15,9	✓			
57778700000	1	Retaining ring DIN472-35x1,5	✓			
38074013000	1	Shim ring DIN988-25x35x0,1	✓			
38103484000	1	Gear Wheel	✓			
96055070000	0,001	Grease PARALIQ GA 343	✓			
38105347000	1	Parallel key DIN6885-A 5x3x14	✓			
60540260801	1	Washer	✓			
57630530000	1	Countersunk screw DIN963 M5x12-A2-70	✓			
95972950002	0,001	Loctite 243 50 ml	✓			
60540261000	1	bolt	✓			
38078241000	1	Gear Wheel	✓			
56360600000	2	Grooved ball bearing DIN625 10x26x8	✓			
57773750000	1	Retaining ring DIN471-10x1	✓			
38053972002	1	Guide Rail 400er	✓			
57630420000	4	Countersunk screw DIN963 M4x8-A2-70	✓			
71004520000	1	Flat Cabel Holder 3484-1000	✓			
38053948002	1	Flange	✓			
38060163002	1	Sealing	✓		✓	
57629520000	5	Countersunk screw DIN963 M5x10-A2-70	✓			
38061585002	1	sealing	✓		✓	
60540245701	1	guide shaft	✓			
57630620000	1	Countersunk screw DIN963 M6x12-A2-70	✓			
38100135001	1	Flat Seal Carriage Plate 400	✓		✓	
38057528001	1	Cover 255,4x177,4x2	✓			
38057559001	1	Seal Cover	✓		✓	
56972480000	10	Mushroom head screw M4x8-A2-70 Tuflok	✓			

# Carriage 400 cpl




# Carriage 400 cpl

Material No.	Qty	Material description	available for order	Wear part	Recomm. sp. part	Metr. relevance
<a href="#">56453180000</a>	2	Threaded insert M6x9	✓			
<a href="#">96055070000</a>	0,001	Grease PARALIQ GA 343	✓			
<a href="#">95972950002</a>	0,001	Loctite 243 50 ml	✓			
<a href="#">38053945001</a>	1	Board	✓			
<a href="#">38063261002</a>	1	Sensor product feeding 1 VSI	✓			
<a href="#">56806411000</a>	4	Oval-head screw ISO14583 M4x6-A2-70-T20	✓			
<a href="#">56739040000</a>	2	Washer DIN125-A 4.3-A2-70	✓			
<a href="#">38011230000</a>	1	Board cpl	✓			
<a href="#">38063262003</a>	1	Sensor product feeding 2 VSI	✓			
<a href="#">56806411000</a>	2	Oval-head screw ISO14583 M4x6-A2-70-T20	✓			
<a href="#">38070080000</a>	1	Washer	✓			
<a href="#">38070090000</a>	1	Sealing	✓		✓	
<a href="#">57430200000</a>	1	Hexagon screw DIN933 M5x20 A2-70	✓			
<a href="#">65016000133</a>	1	Washer 5-PA	✓			
<a href="#">38097519000</a>	1	Sleeve 18 x 10 x 24.25	✓			
<a href="#">95972870002</a>	0,001	Loctite 638	✓			
<a href="#">38086126000</a>	1	Motor Product Feeding BG42x15 cpl	✓			
<a href="#">57431120000</a>	2	Hexagon screw DIN933 M6x12 A2-70	✓			
<a href="#">71400960000</a>	1	Short Circuit Bracket 3131 731000406	✓		✓	
<a href="#">57758610000</a>	4	Toothed washer DIN6797-A 4,3-Fst	✓			
<a href="#">38073996000</a>	4	Distance bolt SW7x6 M4-M4 In-Out	✓			
<a href="#">56806411000</a>	4	Oval-head screw ISO14583 M4x6-A2-70-T20	✓			
<a href="#">38072057000</a>	4	Washer DIN125-A-4-PA6	✓			
<a href="#">38057548001</a>	1	Seal	✓		✓	

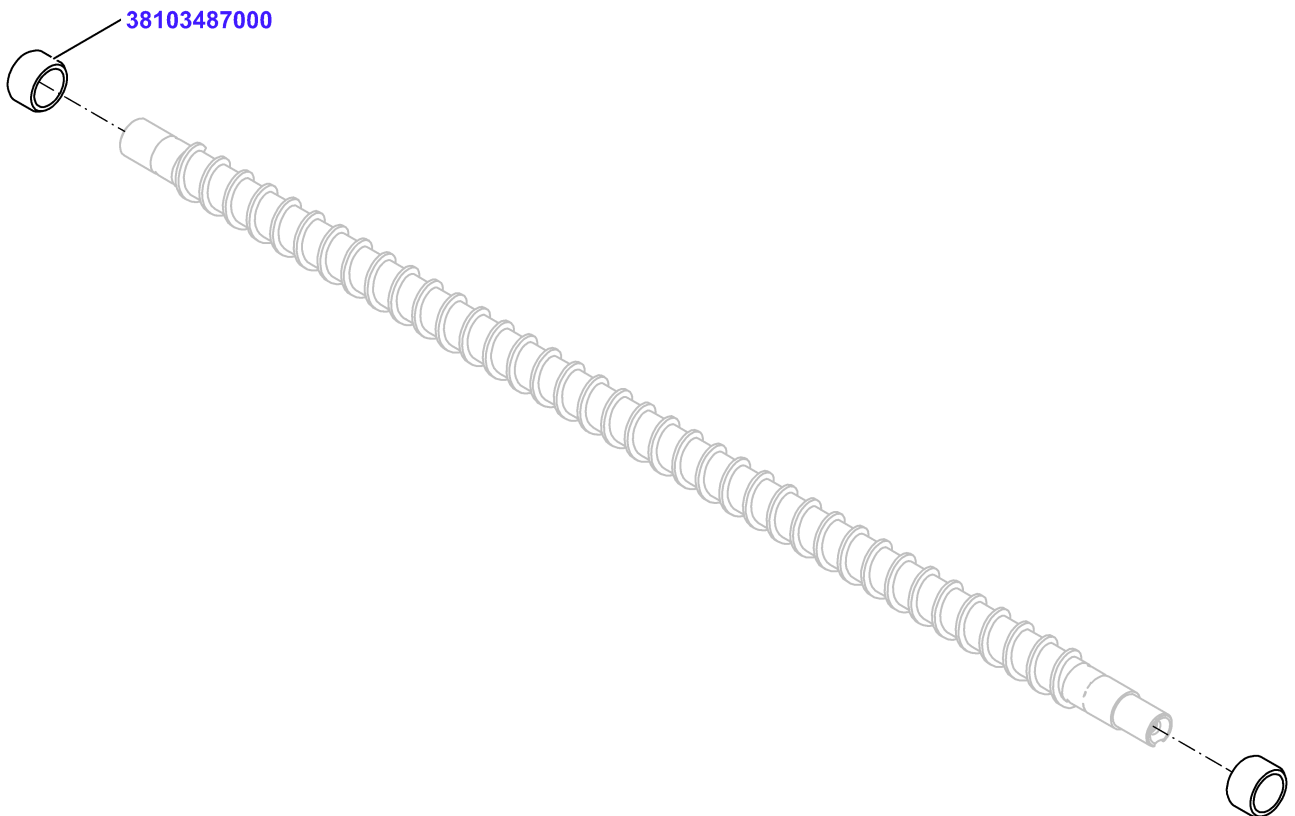
## Carriage 400 cpl

# Carriage 400 cpl

Material No.	Qty	Material description
<a href="#">60897500157</a>	1	PCBAP MC 3ph 2ch lv bus


	available for order
	Wear part
	Recomm. sp. part
	Metr. relevance

## feed spindle ass.

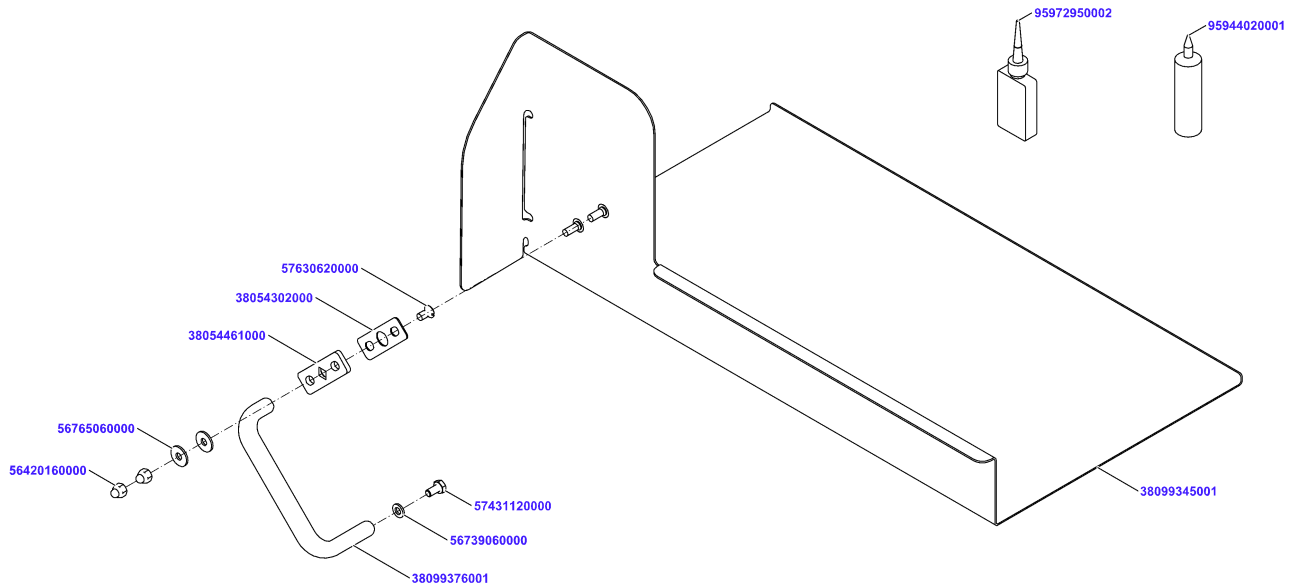


## feed spindle ass.

Material No.	Qty	Material description
38103487000	2	Ring

	available for order
	Wear part
	Recomm. sp. part
	Metr. relevance

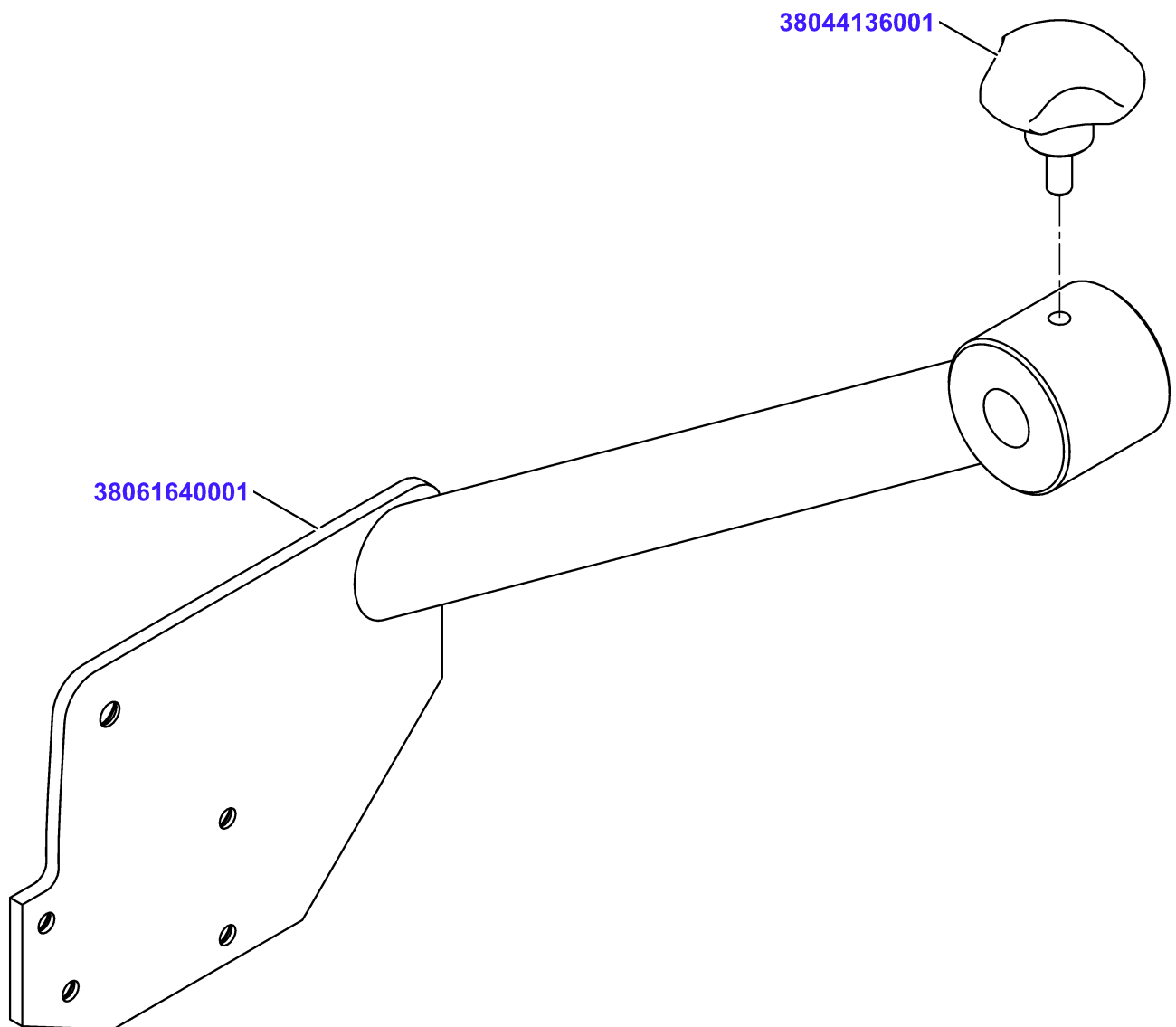
# Carriage Plate 400 preass



# Carriage Plate 400 preass

Material No.	Qty	Material description	available for order	Wear part	Recomm. sp. part	Metr. relevance
<a href="#">38099345001</a>	1	Carriage Plate welded	✓			
<a href="#">38099376001</a>	1	Handle	✓			
<a href="#">38054461000</a>	1	Plate	✓			
<a href="#">38054302000</a>	1	Gasket	✓		✓	
<a href="#">95944020001</a>	10	Silicone Rubber Elastosil E41 90ml	✓			
<a href="#">57630620000</a>	1	Countersunk screw DIN963 M6x12-A2-70	✓			
<a href="#">95972950002</a>	0,001	Loctite 243 50 ml	✓			
<a href="#">56420160000</a>	2	Cap nut DIN986-M6-A2	✓			
<a href="#">56765060000</a>	2	Washer DIN9021-6-A2	✓			
<a href="#">57431120000</a>	1	Hexagon screw DIN933 M6x12 A2-70	✓			
<a href="#">56739060000</a>	1	Washer DIN125-A-6-A2	✓			

# Product Supporter top NSF cpl

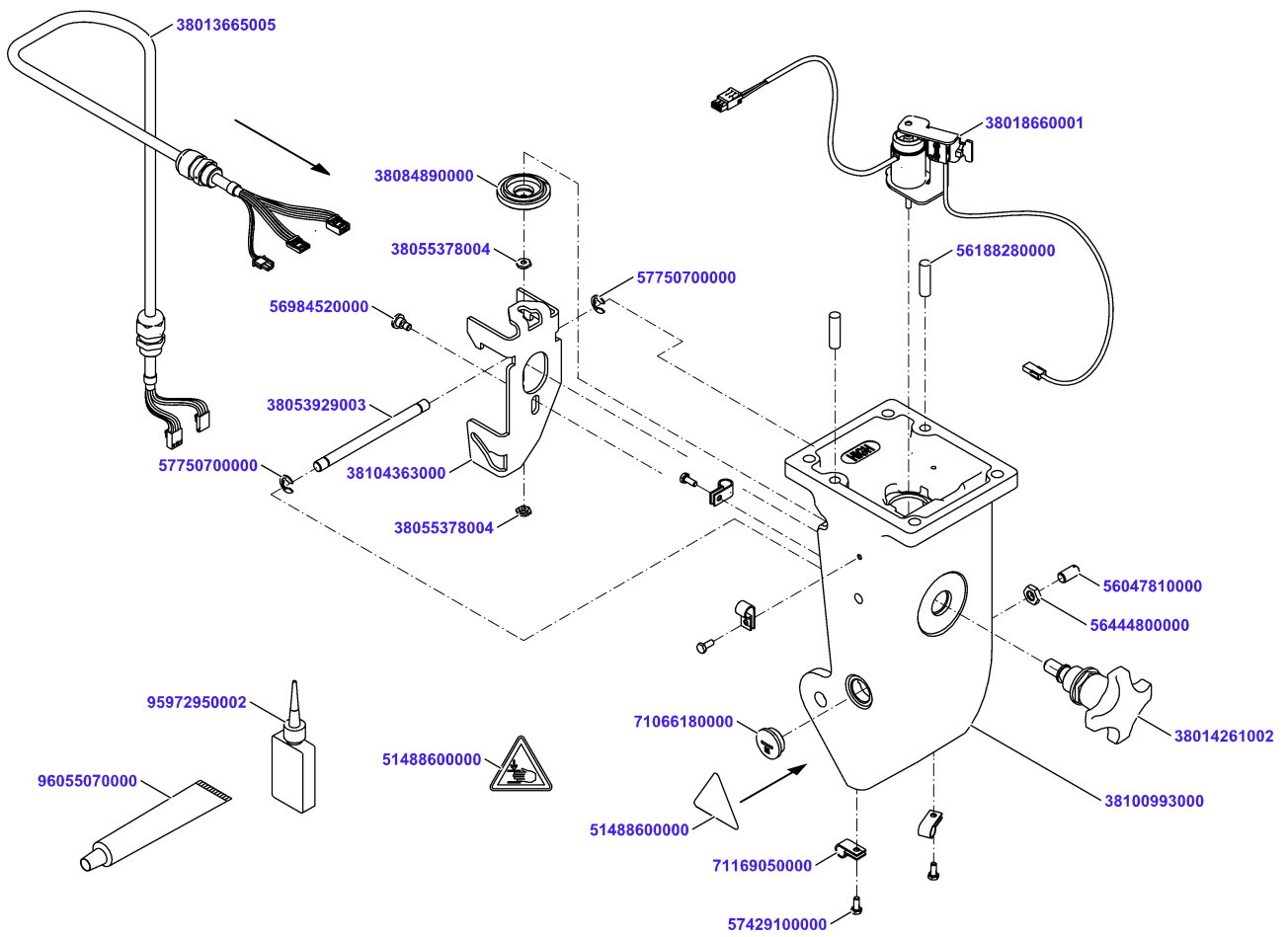


## Product Supporter top NSF cpl

Material No.	Qty	Material description
<a href="#">38061640001</a>	1	Mounting welded
<a href="#">38044136001</a>	1	Handle with screw M6 x 14,75

available for order
Wear part
Recomm. sp. part
Metr. relevance

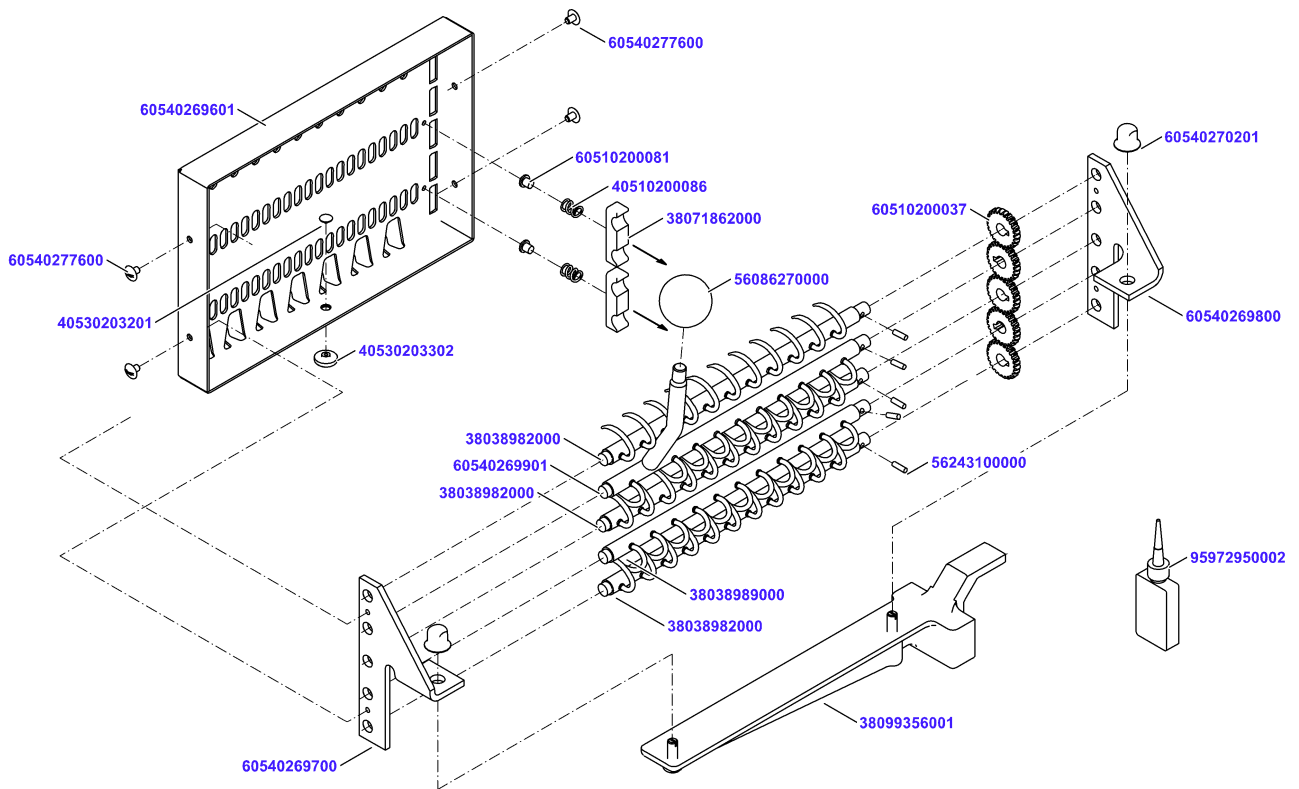
# Carriage Foot high cpl.



# Carriage Foot high cpl.

Material No.	Qty	Material description	available for order	Wear part	Recomm. sp. part	Metr. relevance
<a href="#">38100993000</a>	1	Carriage Foot high hygienic mach	✓			
<a href="#">56188280000</a>	2	Cylindrical pin EN 22338-8m6x28-A2	✓			
<a href="#">56047810000</a>	1	Set screw DIN551 M8x16-PA 66	✓			
<a href="#">56444800000</a>	1	Hexagon nut DIN439-M8-A2	✓			
<a href="#">38018660001</a>	1	Magnet preass	✓	✓		
<a href="#">38084890000</a>	1	Cap preass	✓			
<a href="#">38055378004</a>	2	Hexagon nut	✓			
<a href="#">95972950002</a>	0,001	Loctite 243 50 ml	✓			
<a href="#">38104363000</a>	1	Interlock	✓			
<a href="#">96055070000</a>	0,001	Grease PARALIQ GA 343	✓			
<a href="#">56984520000</a>	1	Pan head screw DIN923 M5x4A2-70	✓			
<a href="#">71066180000</a>	1	Blind plug BLK- M20	✓			
<a href="#">38014261002</a>	1	Handle preass.	✓			
<a href="#">38053929003</a>	1	Stop Bolt	✓			
<a href="#">57750700000</a>	2	Retaining washer DIN6799-7	✓			
<a href="#">71169050000</a>	4	Cable Clamp nylon 7,4mm NK-5N	✓			
<a href="#">38013665005</a>	1	Ka Rd 12x24AWG 0,87m	✓			
<a href="#">57429100000</a>	4	Hexagon screw DIN933 M4x10 A2-70	✓			
<a href="#">51488600000</a>	1	Warning Plate Hand Injury 7.29K	✓			

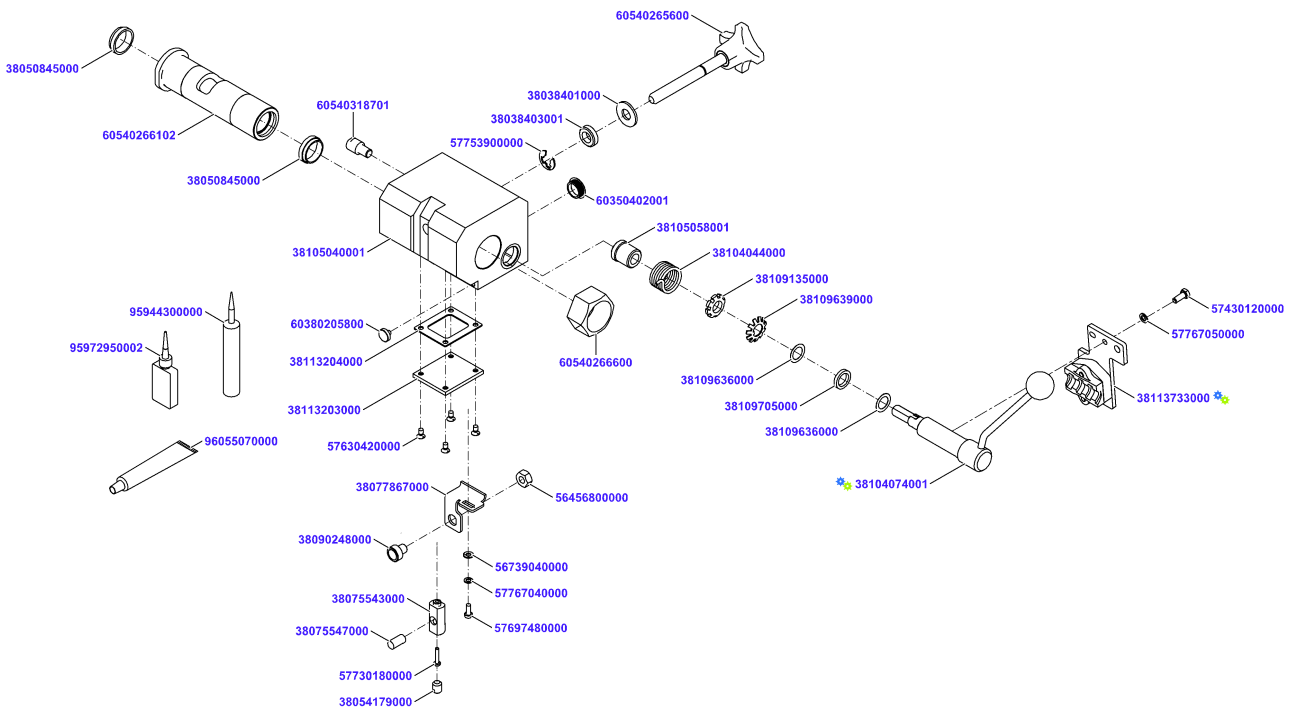
# Product Holder cpl. VSI



## Product Holder cpl. VSI

Material No.	Qty	Material description	available for order	Wear part	Recomm. sp. part	Metr. relevance
60540269601	1	product holder	✓			
60510200081	2	collar stud	✓			
60540269700	1	Side frame left	✓			
60540269800	1	Side frame right	✓			
38038982000	3	Gripper Shaft cpl.	✓			
38038989000	1	Gripper Shaft cpl.	✓			
60540269901	1	Gripper Shaft cpl	✓			
56086270000	1	Ball knob DIN319 M8x32 I	✓			
56243100000	5	Cylindrical pin EN 22338-3h11x10-A2	✓			
60510200037	5	Pinion	✓			
40510200086	2	Pressure spring	✓			
38071862000	2	brake pad	✓			
60540277600	4	self-tapping screw	✓			
38099356001	1	Holder preass.	✓			
60540270201	2	Cap nut M6	✓		✓	
95972950002	0,001	Loctite 243 50 ml	✓			
40530203201	1	push button	✓			
40530203302	1	sliding piece	✓	✓	✓	

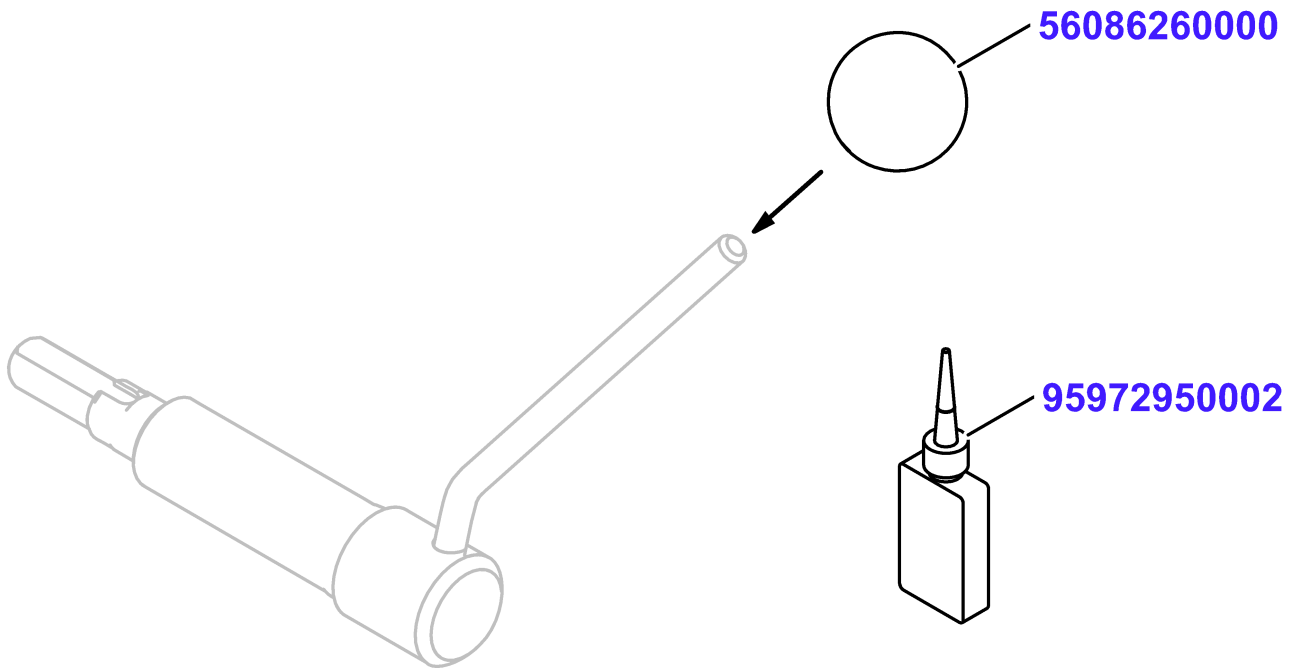
# Product Holder Guide NSF cpl



# Product Holder Guide NSF cpl

Material No.	Qty	Material description	available for order	Wear part	Recomm. sp. part	Metr. relevance
38105040001	1	Product Holder Guide	✓			
60540265600	1	locking lever mount.	✓			
38038401000	1	washer	✓			
38038403001	1	Bushing 19,1x10,7x5	✓			
57753900000	1	Retaining washer DIN6799-9	✓			
60540266102	1	Bushing complete	✓		✓	
38050845000	2	Deflector Ring	✓			
60540266600	1	hex nut	✓			
38109705000	1	Shaft seal 12x18x3	✓			
38109636000	1	Shim ring DIN988-12x18x0,2	✓			
38104074001	1	Bolt NSF cpl	✓			
38109636000	1	Shim ring DIN988-12x18x0,2	✓			
38109639000	1	Safety plate DIN5406-MB1	✓			
38109135000	1	Grooved nut M12 x 0.5	✓			
38105058001	1	Bushing 19,5/18x10,2x21	✓			
38104044000	1	Torsion spring left	✓			
96055070000	0,005	Grease PARALIQ GA 343	✓			
38113733000	1	Holder preassembled	✓			
57767050000	1	Spring lock washer DIN128-A5-FSt	✓			
57430120000	1	Hexagon screw DIN933 M5x12 A2-70	✓			
60350402001	1	Protective plug	✓			
95944300000	0,005	Kitchen silicone ELASTO4710	✓			
38113203000	1	cover	✓			
38113204000	1	Seal 47x40x1	✓			
57630420000	4	Countersunk screw DIN963 M4x8-A2-70	✓			
38077867000	1	Magnet Base	✓			
38090248000	1	Magnet Vacodym 370 wz round 10x4 preass	✓		✓	
56456800000	1	Hexagon nut DIN934-M8-A2	✓			
57697480000	1	Cylinder screw DIN84 M4x10-A2-70	✓			
56739040000	1	Washer DIN125-A 4.3-A2-70	✓			
57767040000	1	Spring lock washer DIN128-A4-FSt	✓			
38075543000	1	Mounting Pin	✓			
57730180000	1	Oval-head screw ISO14583 M3x16-A2-70-T10	✓			
38075547000	1	Parallel Pin 8x15	✓			
38054179000	1	Set screw DIN438 M8x10-A2-70	✓			
60380205800	1	SLIDE PIN	✓			
60540318701	1	stop pin	✓			
95972950002	0,001	Loctite 243 50 ml	✓			

## Bolt NSF cpl

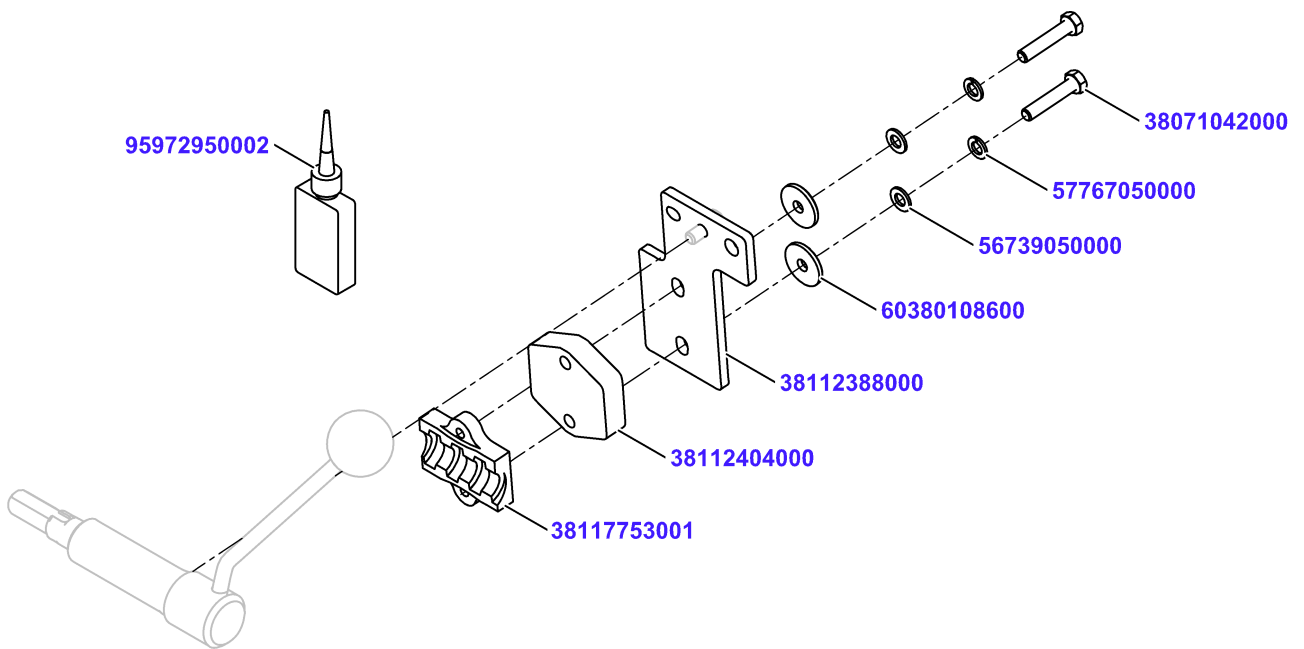


# Bolt NSF cpl

Material No.	Qty	Material description
<a href="#">56086260000</a>	1	Ball knob DIN319 M6x25 I
<a href="#">95972950002</a>	0,001	Loctite 243 50 ml

available for order
Wear part
Recomm. sp. part
Metr. relevance

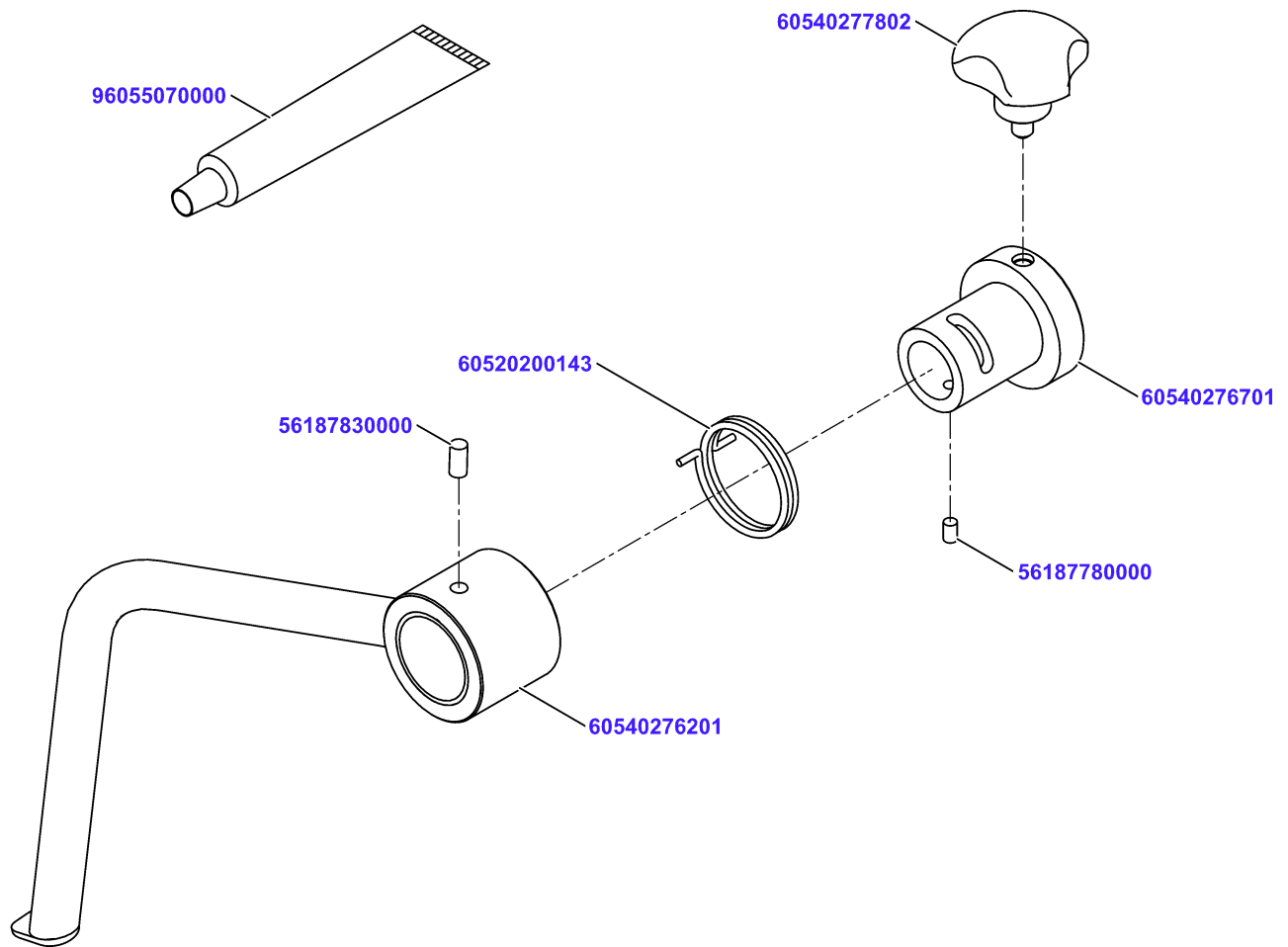
# Holder preassembled










## Holder preassembled

Material No.	Qty	Material description	available for order	Wear part	Recomm. sp. part	Metr. relevance
<a href="#">38112388000</a>	1	Holder	✓			
<a href="#">38112404000</a>	1	Spacer plate 40x40x10	✓			
<a href="#">38117753001</a>	1	Nut Plate TR20X12P4	✓	✓	✓	
<a href="#">38071042000</a>	2	Hexagon screw DIN933 M5x25 A2-70	✓			
<a href="#">60380108600</a>	2	Washer	✓			
<a href="#">56739050000</a>	2	Washer DIN125-A-5-A2	✓			
<a href="#">57767050000</a>	2	Spring lock washer DIN128-A5-FSt	✓			
<a href="#">95972950002</a>	0,001	Loctite 243 50 ml	✓			

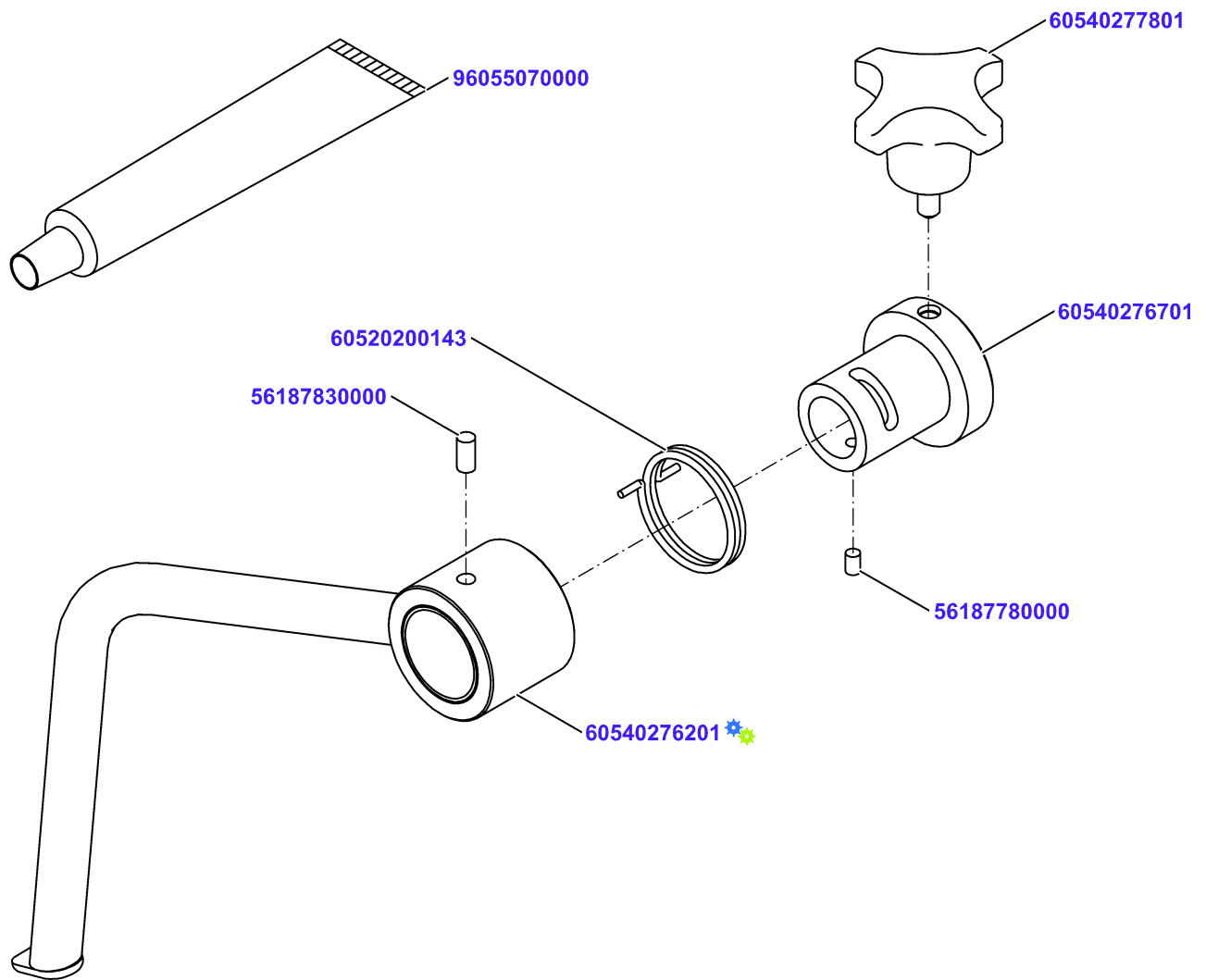
# Holding Down Device ass.



## Holding Down Device ass.

Material No.	Qty	Material description	available for order	Wear part	Recomm. sp. part	Metr. relevance
<a href="#">60540276201</a>	1	Holding Down Device preass.				
<a href="#">56187830000</a>	1	Cylindrical pin EN 22338-5m6x10-A2				
<a href="#">60540276701</a>	1	hub				
<a href="#">60540277802</a>	1	Handle with screw M6 x 13,55				
<a href="#">56187780000</a>	1	Cylindrical pin EN 22338-4m6x6-A2				
<a href="#">60520200143</a>	1	torsion spring				
<a href="#">96055070000</a>	0,005	Grease PARALIQ GA 343				

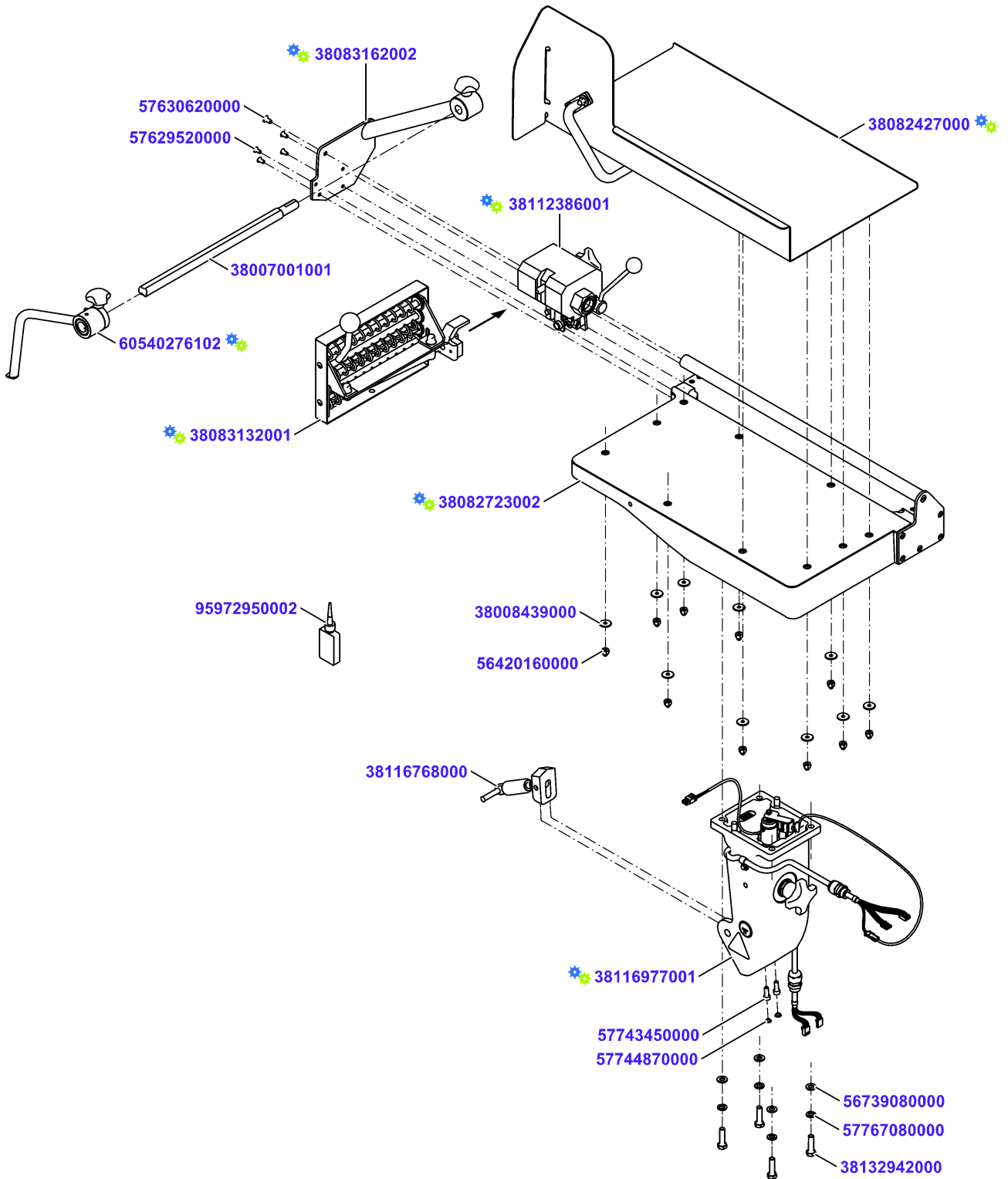
# Holding Down Device ass.



## Holding Down Device ass.

Material No.	Qty	Material description	available for order	Wear part	Recomm. sp. part	Metr. relevance
<a href="#">60540276201</a>	1	Holding Down Device preass.				
<a href="#">56187830000</a>	1	Cylindrical pin EN 22338-5m6x10-A2				
<a href="#">60540276701</a>	1	hub				
<a href="#">56187780000</a>	1	Cylindrical pin EN 22338-4m6x6-A2				
<a href="#">60520200143</a>	1	torsion spring				
<a href="#">96055070000</a>	0,005	Grease PARALIQ GA 343				

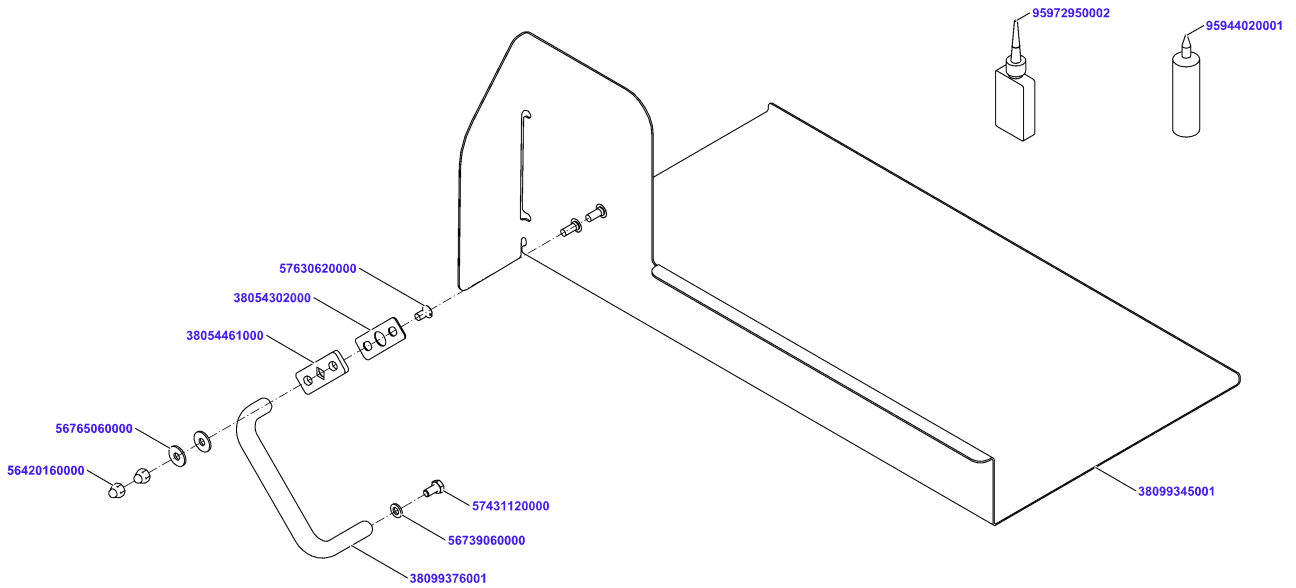
# Carriage VSI 400 NSF



# Carriage VSI 400 NSF

Material No.	Qty	Material description	available for order	Wear part	Recomm. sp. part	Metr. relevance
<a href="#">38082427000</a>	1	Carriage Plate 400 preass	✓			
<a href="#">56420160000</a>	10	Cap nut DIN986-M6-A2	✓			
<a href="#">38008439000</a>	10	Sealing washer M6	✓		✓	
<a href="#">38082723002</a>	1	Carriage 400 premounted				
<a href="#">38083162002</a>	1	Product Supporter top NSF cpl				
<a href="#">57629520000</a>	4	Countersunk screw DIN963 M5x10-A2-70	✓			
<a href="#">57630620000</a>	1	Countersunk screw DIN963 M6x12-A2-70	✓			
<a href="#">38116977001</a>	1	Carriage Foot high cpl.				
<a href="#">38132942000</a>	4	Hexagon screw DIN 933 M8x28 A2-70	✓			
<a href="#">57767080000</a>	4	Spring lock washer DIN128-A8-A2	✓			
<a href="#">38116768000</a>	1	Gas pressure spring carriage 400 cpl	✓		✓	
<a href="#">57743450000</a>	2	Cylinder screw DIN912 M6x16-A2-70	✓			
<a href="#">95972950002</a>	0,001	Loctite 243 50 ml	✓			
<a href="#">57744870000</a>	2	Protective plug 10x5,2x3,1-PE	✓		✓	
<a href="#">38083132001</a>	1	Product Holder cpl. VSI				
<a href="#">38112386001</a>	1	Product Holder Guide NSF cpl	✓			
<a href="#">38007001001</a>	1	Axis 18x342	✓			
<a href="#">60540276102</a>	1	Holding Down Device ass.	✓			

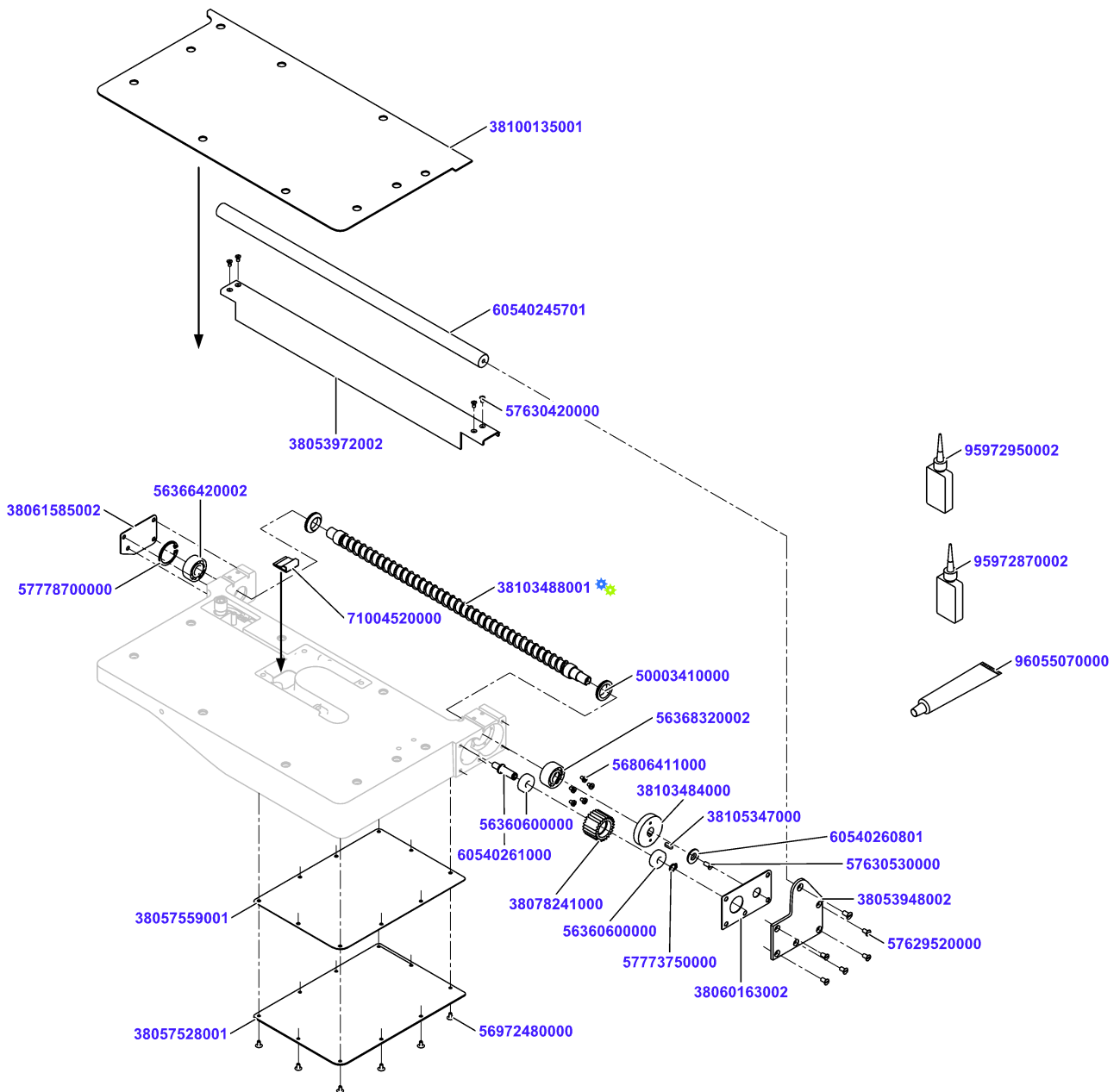
# Carriage Plate 400 preass



# Carriage Plate 400 preass

Material No.	Qty	Material description	available for order	Wear part	Recomm. sp. part	Metr. relevance
<a href="#">38099345001</a>	1	Carriage Plate welded	✓			
<a href="#">38099376001</a>	1	Handle	✓			
<a href="#">38054461000</a>	1	Plate	✓			
<a href="#">38054302000</a>	1	Gasket	✓		✓	
<a href="#">95944020001</a>	10	Silicone Rubber Elastosil E41 90ml	✓			
<a href="#">57630620000</a>	1	Countersunk screw DIN963 M6x12-A2-70	✓			
<a href="#">95972950002</a>	0,001	Loctite 243 50 ml	✓			
<a href="#">56420160000</a>	2	Cap nut DIN986-M6-A2	✓			
<a href="#">56765060000</a>	2	Washer DIN9021-6-A2	✓			
<a href="#">57431120000</a>	1	Hexagon screw DIN933 M6x12 A2-70	✓			
<a href="#">56739060000</a>	1	Washer DIN125-A-6-A2	✓			

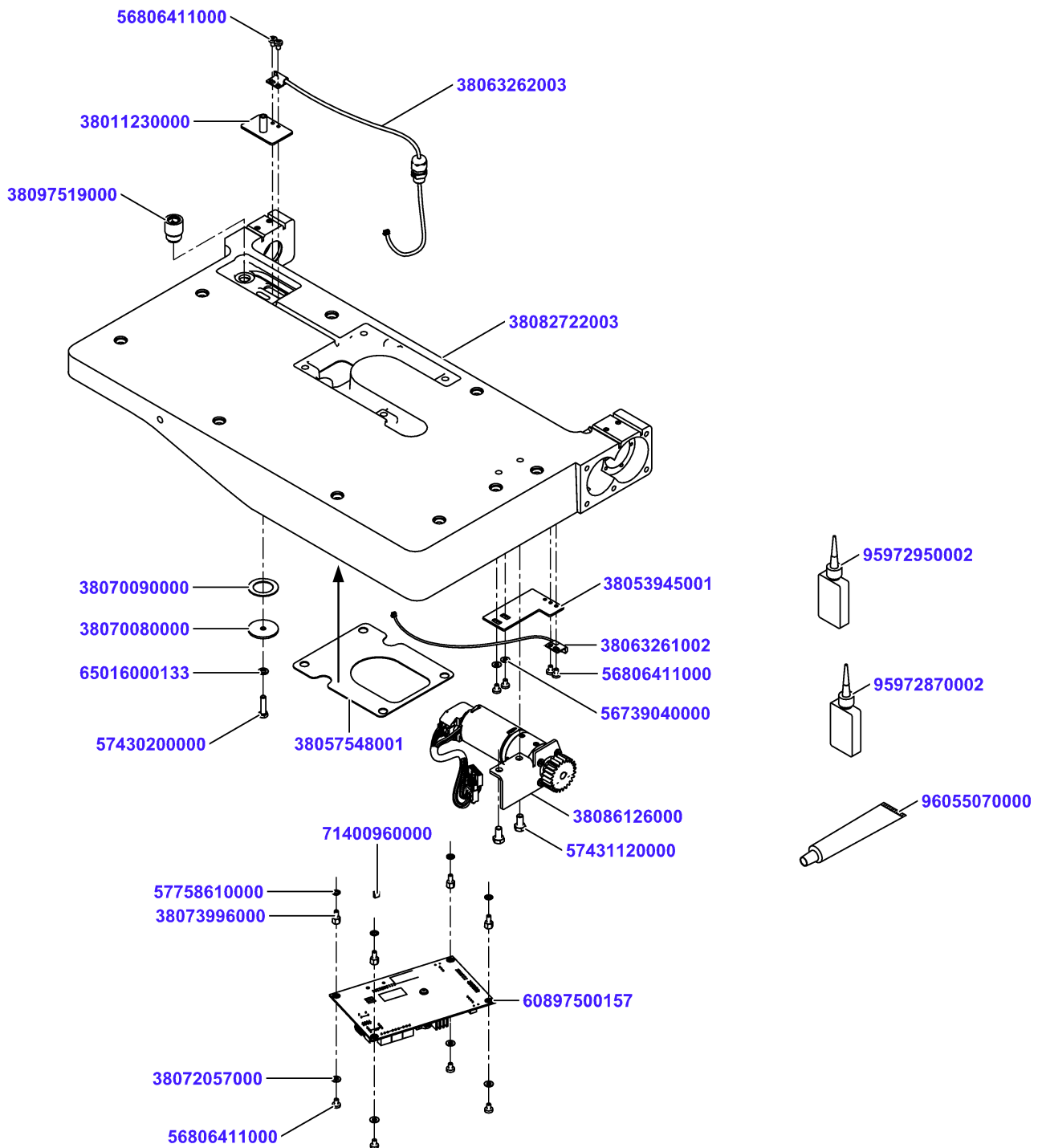
# Carriage 400 premounted



# Carriage 400 premounted

Material No.	Qty	Material description	available for order	Wear part	Recomm. sp. part	Metr. relevance
57778700000	1	Retaining ring DIN472-35x1,5	✓			
38103488001	1	Feedspindle 521xTR20x12 ass.	✓			
56806411000	5	Oval-head screw ISO14583 M4x6-A2-70-T20	✓			
95972950002	0,005	Loctite 243 50 ml	✓			
38103484000	1	Gear Wheel	✓			
38105347000	1	Parallel key DIN6885-A 5x3x14	✓			
60540260801	1	Washer	✓			
57630530000	1	Countersunk screw DIN963 M5x12-A2-70	✓			
95972950002	0,001	Loctite 243 50 ml	✓			
60540261000	1	bolt	✓			
38078241000	1	Gear Wheel	✓			
56360600000	2	Grooved ball bearing DIN625 10x26x8	✓			
57773750000	1	Retaining ring DIN471-10x1	✓			
38053972002	1	Guide Rail 400er	✓			
57630420000	4	Countersunk screw DIN963 M4x8-A2-70	✓			
56806411000	4	Oval-head screw ISO14583 M4x6-A2-70-T20	✓			
56806411000	2	Oval-head screw ISO14583 M4x6-A2-70-T20	✓			
71004520000	1	Flat Cabel Holder 3484-1000	✓			
95972870002	0,001	Loctite 638	✓			
56806411000	4	Oval-head screw ISO14583 M4x6-A2-70-T20	✓			
38053948002	1	Flange	✓			
38060163002	1	Sealing	✓		✓	
57629520000	5	Countersunk screw DIN963 M5x10-A2-70	✓			
38061585002	1	sealing	✓		✓	
60540245701	1	guide shaft	✓			
95972950002	0,001	Loctite 243 50 ml	✓			
38100135001	1	Flat Seal Carriage Plate 400	✓		✓	
38057528001	1	Cover 255,4x177,4x2	✓		✓	
38057559001	1	Seal Cover	✓		✓	
56972480000	10	Mushroom head screw M4x8-A2-70 Tuflok	✓			
50003410000	2	Wiper ring 30x20x7	✓			
56368320002	1	Angular bearing double-row 15x35x15,9	✓			
56366420002	1	Self-Aligning Ball Bearing 2202	✓			

# Carriage 400 premounted










# Carriage 400 premounted

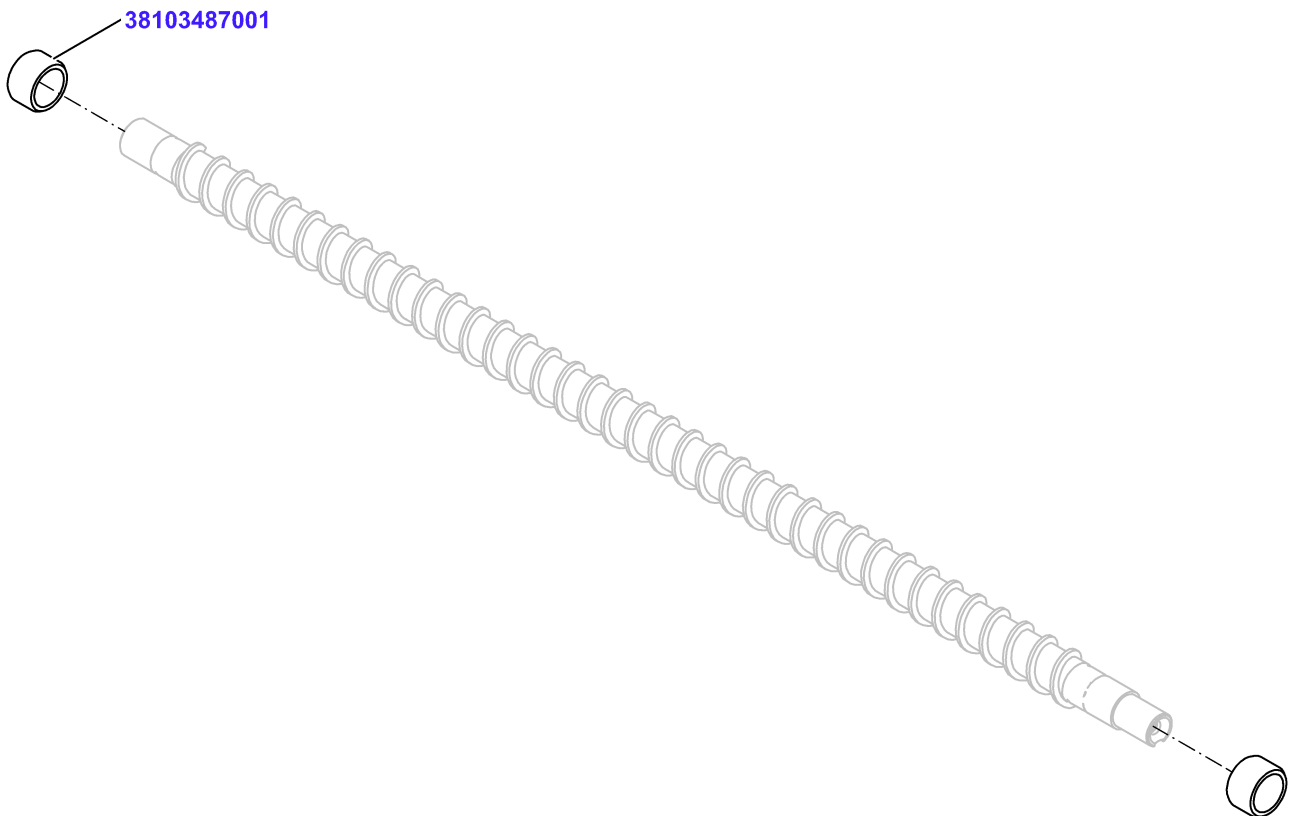
Material No.	Qty	Material description	available for order	Wear part	Recomm. sp. part	Metr. relevance
<a href="#">38082722003</a>	1	Carriage Carrier 400 machined	✓			
<a href="#">56806411000</a>	5	Oval-head screw ISO14583 M4x6-A2-70-T20	✓			
<a href="#">95972950002</a>	0,005	Loctite 243 50 ml	✓			
<a href="#">95972950002</a>	0,001	Loctite 243 50 ml	✓			
<a href="#">38053945001</a>	1	Board	✓			
<a href="#">38063261002</a>	1	Sensor product feeding 1 VSI	✓			
<a href="#">56806411000</a>	4	Oval-head screw ISO14583 M4x6-A2-70-T20	✓			
<a href="#">56739040000</a>	2	Washer DIN125-A 4.3-A2-70	✓			
<a href="#">38011230000</a>	1	Board cpl	✓			
<a href="#">38063262003</a>	1	Sensor product feeding 2 VSI	✓			
<a href="#">56806411000</a>	2	Oval-head screw ISO14583 M4x6-A2-70-T20	✓			
<a href="#">38070080000</a>	1	Washer	✓			
<a href="#">38070090000</a>	1	Sealing	✓		✓	
<a href="#">57430200000</a>	1	Hexagon screw DIN933 M5x20 A2-70	✓			
<a href="#">65016000133</a>	1	Washer 5-PA	✓			
<a href="#">38097519000</a>	1	Sleeve 18 x 10 x 24.25	✓			
<a href="#">95972870002</a>	0,001	Loctite 638	✓			
<a href="#">38086126000</a>	1	Motor Product Feeding BG42x15 cpl	✓			
<a href="#">57431120000</a>	2	Hexagon screw DIN933 M6x12 A2-70	✓			
<a href="#">60897500157</a>	1	PCBAP MC 3ph 2ch lv bus	✓			
<a href="#">71400960000</a>	1	Short Circuit Bracket 3131 731000406	✓		✓	
<a href="#">57758610000</a>	4	Toothed washer DIN6797-A 4,3-Fst	✓			
<a href="#">38073996000</a>	4	Distance bolt SW7x6 M4-M4 In-Out	✓			
<a href="#">56806411000</a>	4	Oval-head screw ISO14583 M4x6-A2-70-T20	✓			
<a href="#">38072057000</a>	4	Washer DIN125-A-4-PA6	✓			
<a href="#">95972950002</a>	0,001	Loctite 243 50 ml	✓			
<a href="#">38057548001</a>	1	Seal	✓		✓	

## **Carriage 400 premounted**

# Carriage 400 premounted

Material No.	Qty	Material description	available for order	Wear part	Recomm. sp. part	Metr. relevance
<a href="#">96055080000</a>	0,001	Kluebersynth UH1 64-62/25kg				
<a href="#">96055080000</a>	0,001	Kluebersynth UH1 64-62/25kg				
<a href="#">96055080000</a>	0,001	Kluebersynth UH1 64-62/25kg				
<a href="#">57630620000</a>	1	Countersunk screw DIN963 M6x12-A2-70				
<a href="#">96055080000</a>	0,001	Kluebersynth UH1 64-62/25kg				
<a href="#">96055080000</a>	0,001	Kluebersynth UH1 64-62/25kg				
<a href="#">96055080000</a>	0,001	Kluebersynth UH1 64-62/25kg				

## Feedspindle 521xTR20x12 ass.



## Feedspindle 521xTR20x12 ass.

Material No.	Qty	Material description
--------------	-----	----------------------

<a href="#">38103487001</a>	2	Ring 12x20x15H7
-----------------------------	---	-----------------

available for order

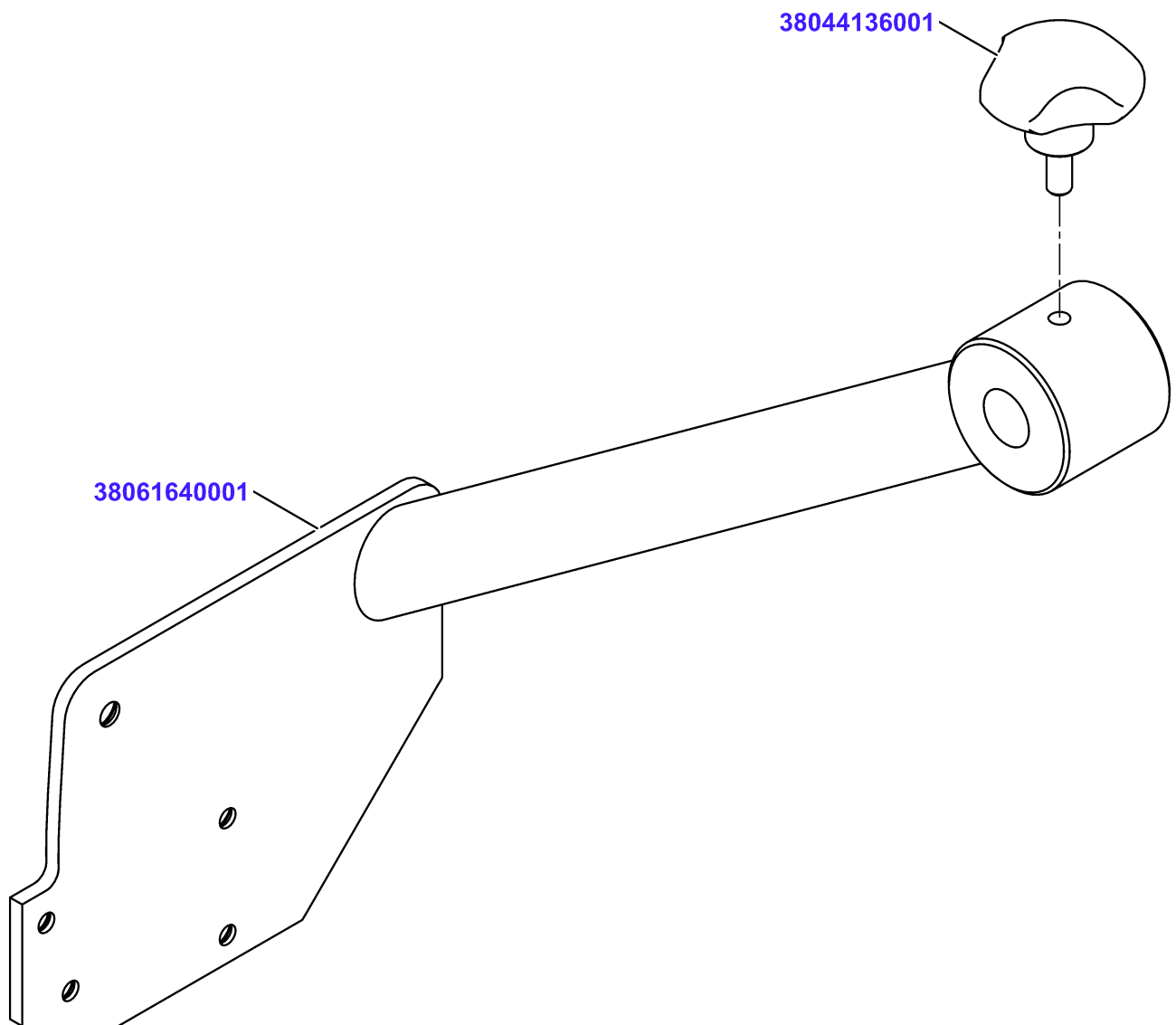
Wear part

Recomm. sp. part

Metr. relevance



## Product Supporter top NSF cpl

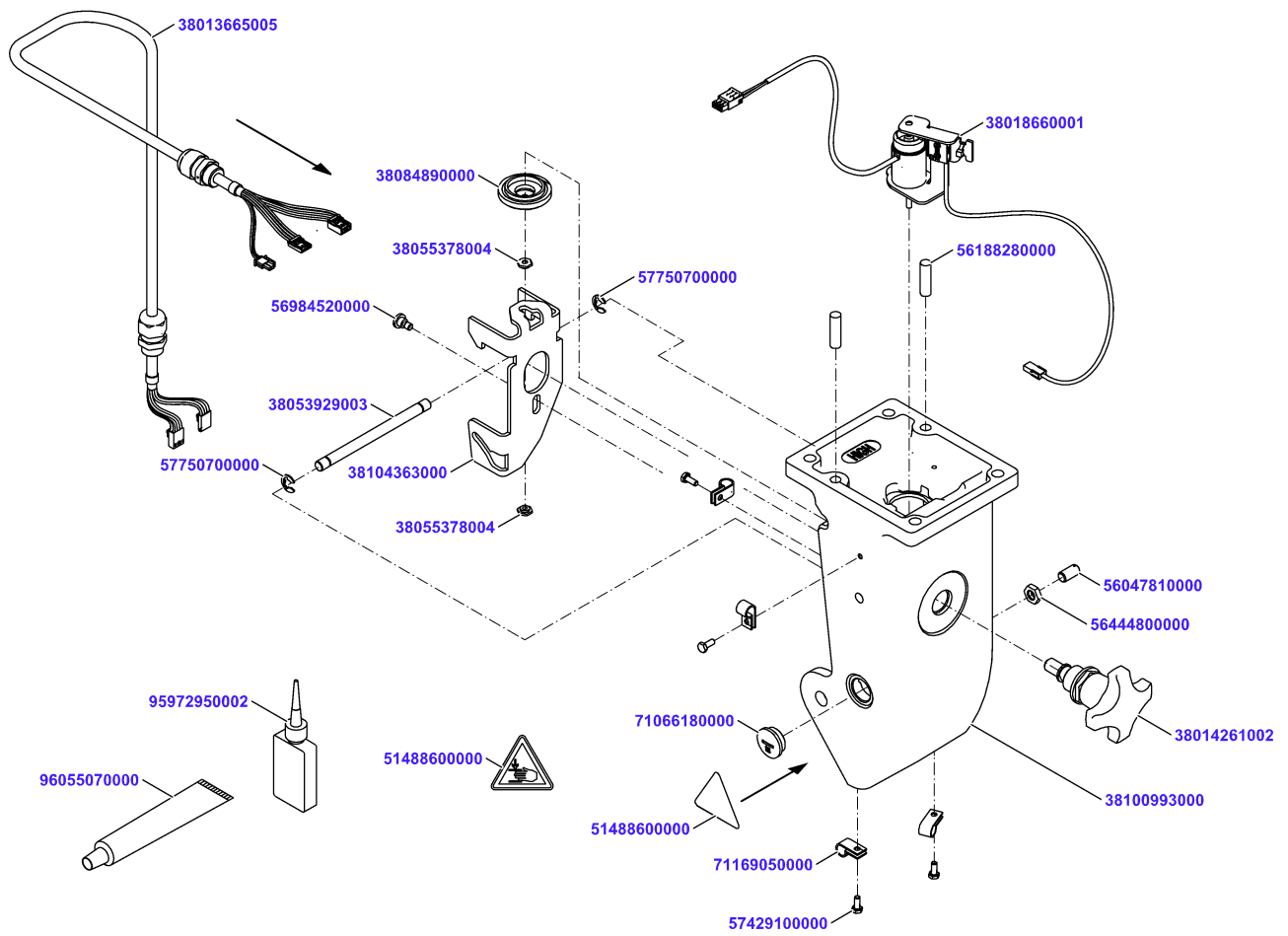


## Product Supporter top NSF cpl

Material No.	Qty	Material description
<a href="#">38061640001</a>	1	Mounting welded
<a href="#">38044136001</a>	1	Handle with screw M6 x 14,75

available for order
Wear part
Recomm. sp. part
Metr. relevance

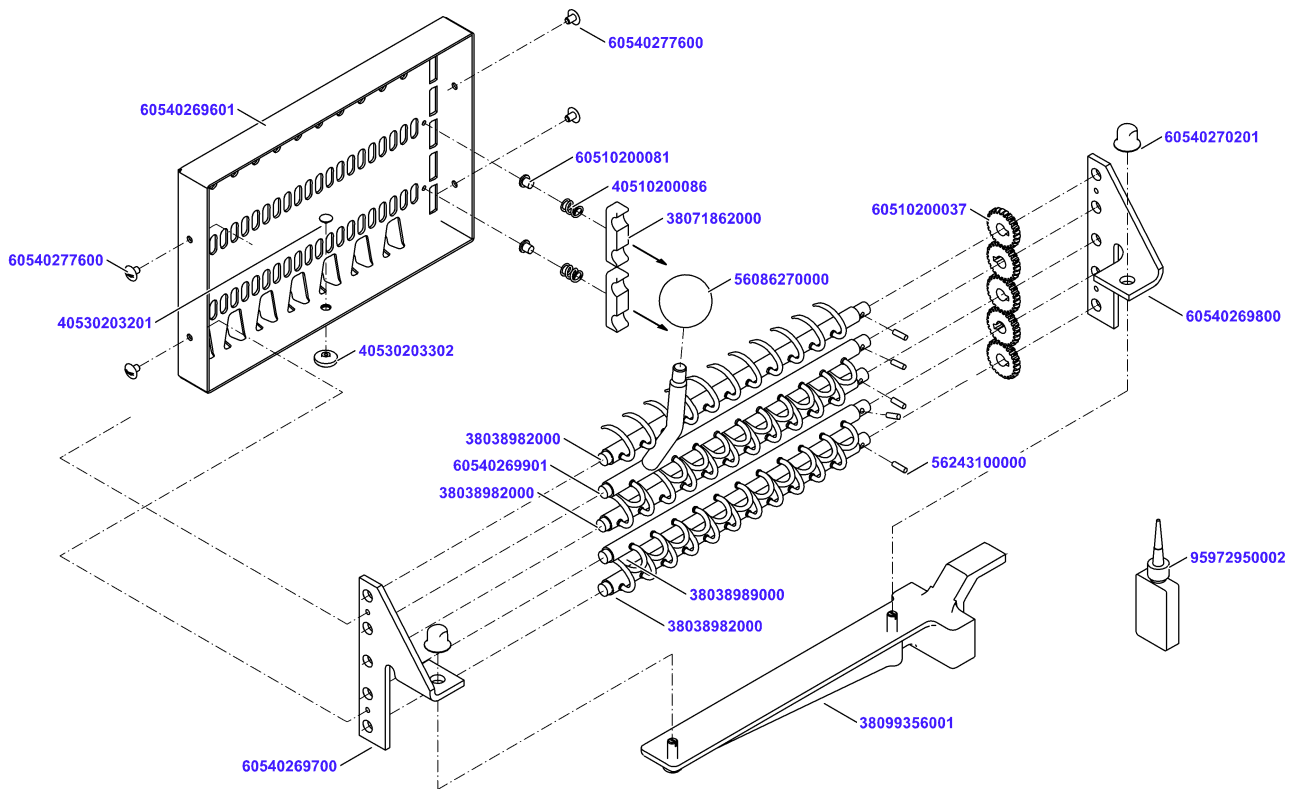
# Carriage Foot high cpl.



# Carriage Foot high cpl.

Material No.	Qty	Material description	available for order	Wear part	Recomm. sp. part	Metr. relevance
<a href="#">38100993000</a>	1	Carriage Foot high hygienic mach	✓			
<a href="#">56188280000</a>	2	Cylindrical pin EN 22338-8m6x28-A2	✓			
<a href="#">56047810000</a>	1	Set screw DIN551 M8x16-PA 66	✓			
<a href="#">56444800000</a>	1	Hexagon nut DIN439-M8-A2	✓			
<a href="#">38018660001</a>	1	Magnet preass	✓	✓		
<a href="#">38084890000</a>	1	Cap preass	✓			
<a href="#">38055378004</a>	2	Hexagon nut	✓			
<a href="#">95972950002</a>	0,001	Loctite 243 50 ml	✓			
<a href="#">38104363000</a>	1	Interlock	✓			
<a href="#">96055070000</a>	0,001	Grease PARALIQ GA 343	✓			
<a href="#">56984520000</a>	1	Pan head screw DIN923 M5x4A2-70	✓			
<a href="#">71066180000</a>	1	Blind plug BLK- M20	✓			
<a href="#">38014261002</a>	1	Handle preass.	✓			
<a href="#">38053929003</a>	1	Stop Bolt	✓			
<a href="#">57750700000</a>	2	Retaining washer DIN6799-7	✓			
<a href="#">71169050000</a>	4	Cable Clamp nylon 7,4mm NK-5N	✓			
<a href="#">38013665005</a>	1	Ka Rd 12x24AWG 0,87m	✓			
<a href="#">57429100000</a>	4	Hexagon screw DIN933 M4x10 A2-70	✓			
<a href="#">51488600000</a>	1	Warning Plate Hand Injury 7.29K	✓			

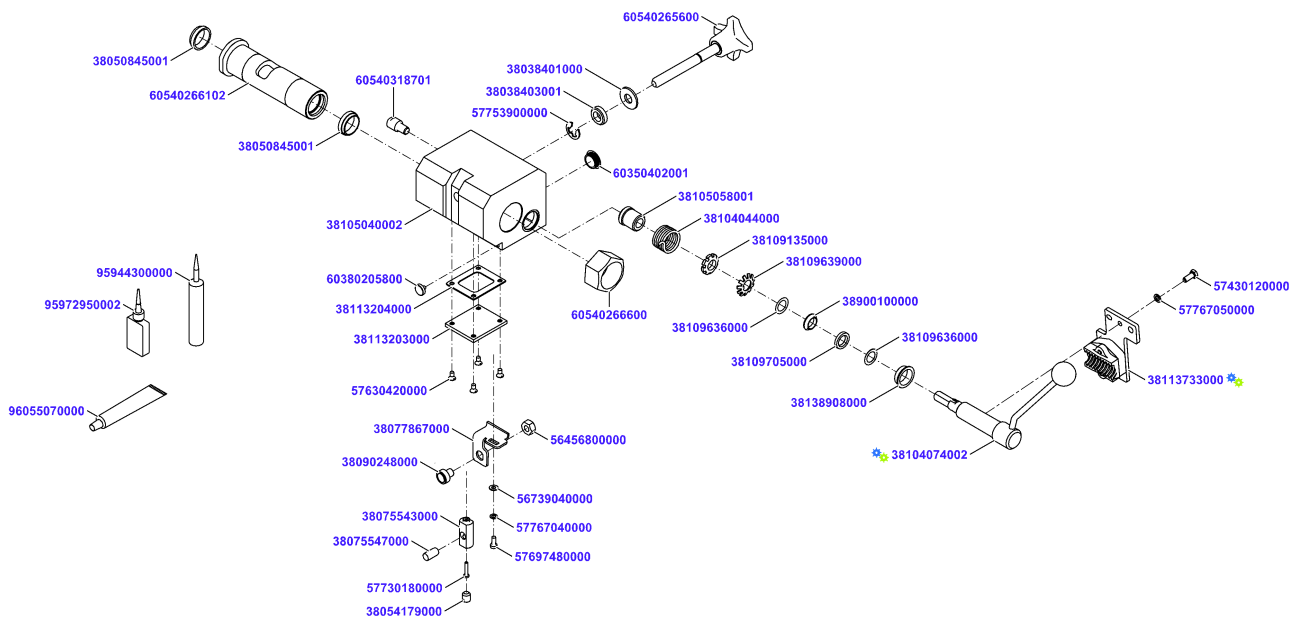
# Product Holder cpl. VSI



## Product Holder cpl. VSI

Material No.	Qty	Material description	available for order	Wear part	Recomm. sp. part	Metr. relevance
60540269601	1	product holder	✓			
60510200081	2	collar stud	✓			
60540269700	1	Side frame left	✓			
60540269800	1	Side frame right	✓			
38038982000	3	Gripper Shaft cpl.	✓			
38038989000	1	Gripper Shaft cpl.	✓			
60540269901	1	Gripper Shaft cpl	✓			
56086270000	1	Ball knob DIN319 M8x32 I	✓			
56243100000	5	Cylindrical pin EN 22338-3h11x10-A2	✓			
60510200037	5	Pinion	✓			
40510200086	2	Pressure spring	✓			
38071862000	2	brake pad	✓			
60540277600	4	self-tapping screw	✓			
38099356001	1	Holder preass.	✓			
60540270201	2	Cap nut M6	✓		✓	
95972950002	0,001	Loctite 243 50 ml	✓			
40530203201	1	push button	✓			
40530203302	1	sliding piece	✓	✓	✓	

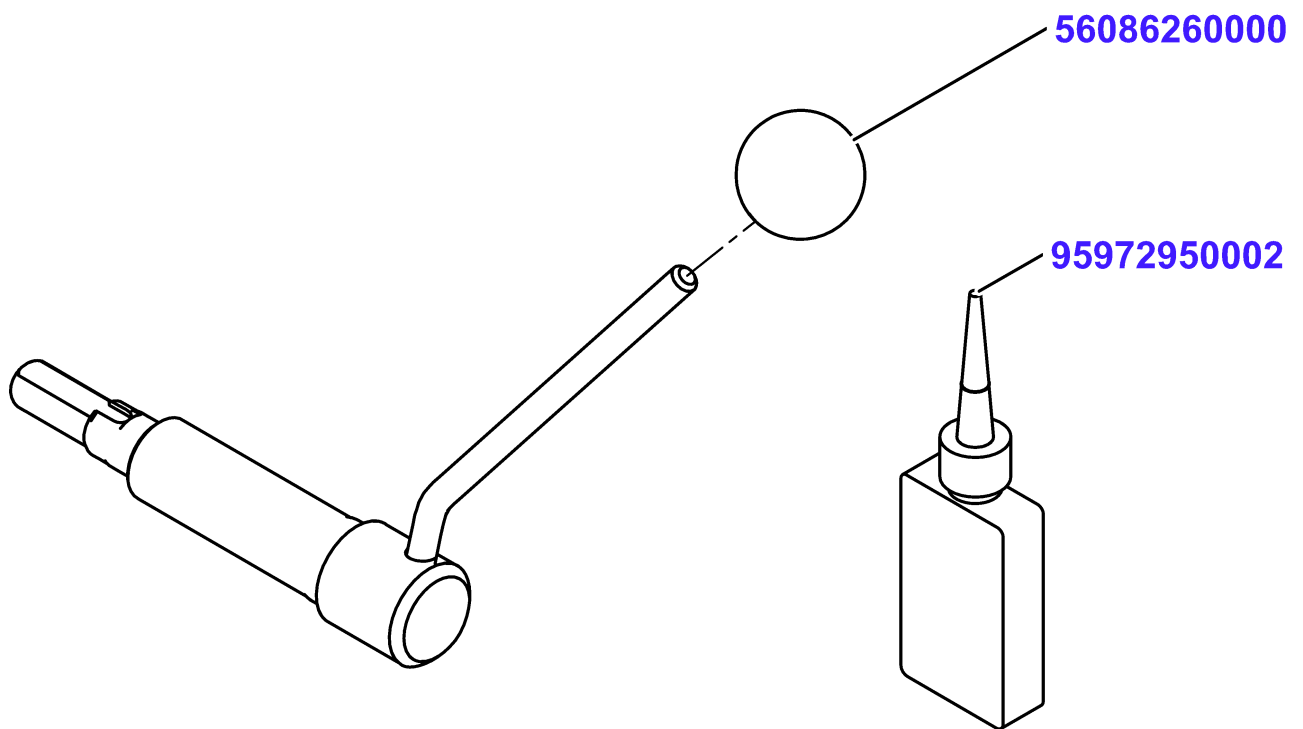
# Product Holder Guide NSF cpl



# Product Holder Guide NSF cpl

Material No.	Qty	Material description	available for order	Wear part	Recomm. sp. part	Metr. relevance
38105040002	1	Product Holder Guide NSF				
60540265600	1	locking lever mount.				
38038401000	1	washer				
38038403001	1	Bushing 19,1x10,7x5				
57753900000	1	Retaining washer DIN6799-9				
60540266102	1	Bushing complete				
38050845001	2	Deflector ring 25x20,2x7				
60540266600	1	hex nut				
38109705000	1	Shaft seal 12x18x3				
38109636000	1	Shim ring DIN988-12x18x0,2				
38104074002	1	Bolt NSF cpl				
38109636000	1	Shim ring DIN988-12x18x0,2				
38109639000	1	Safety plate DIN5406-MB1				
38109135000	1	Grooved nut M12 x 0.5				
38105058001	1	Bushing 19,5/18x10,2x21				
38104044000	1	Torsion spring left				
96055070000	0,005	Grease PARALIQ GA 343				
38113733000	1	Holder preassembled				
57767050000	1	Spring lock washer DIN128-A5-FSt				
57430120000	1	Hexagon screw DIN933 M5x12 A2-70				
60350402001	1	Protective plug				
95944300000	0,005	Kitchen silicone ELASTO4710				
38113203000	1	cover				
38113204000	1	Seal 47x40x1				
57630420000	4	Countersunk screw DIN963 M4x8-A2-70				
38077867000	1	Magnet Base				
38090248000	1	Magnet Vacodym 370 wz round 10x4 preass				
56456800000	1	Hexagon nut DIN934-M8-A2				
57697480000	1	Cylinder screw DIN84 M4x10-A2-70				
56739040000	1	Washer DIN125-A 4.3-A2-70				
57767040000	1	Spring lock washer DIN128-A4-FSt				
38075543000	1	Mounting Pin				
57730180000	1	Oval-head screw ISO14583 M3x16-A2-70-T10				
38075547000	1	Parallel Pin 8x15				
38054179000	1	Set screw DIN438 M8x10-A2-70				
60380205800	1	SLIDE PIN				
60540318701	1	stop pin				
95972950002	0,001	Loctite 243 50 ml				
38900100000	1	Plain bearing w. flange 12x18x14x4				
38138908000	1	Plain bearing w. flange 18x24x20x7				

## Bolt NSF cpl

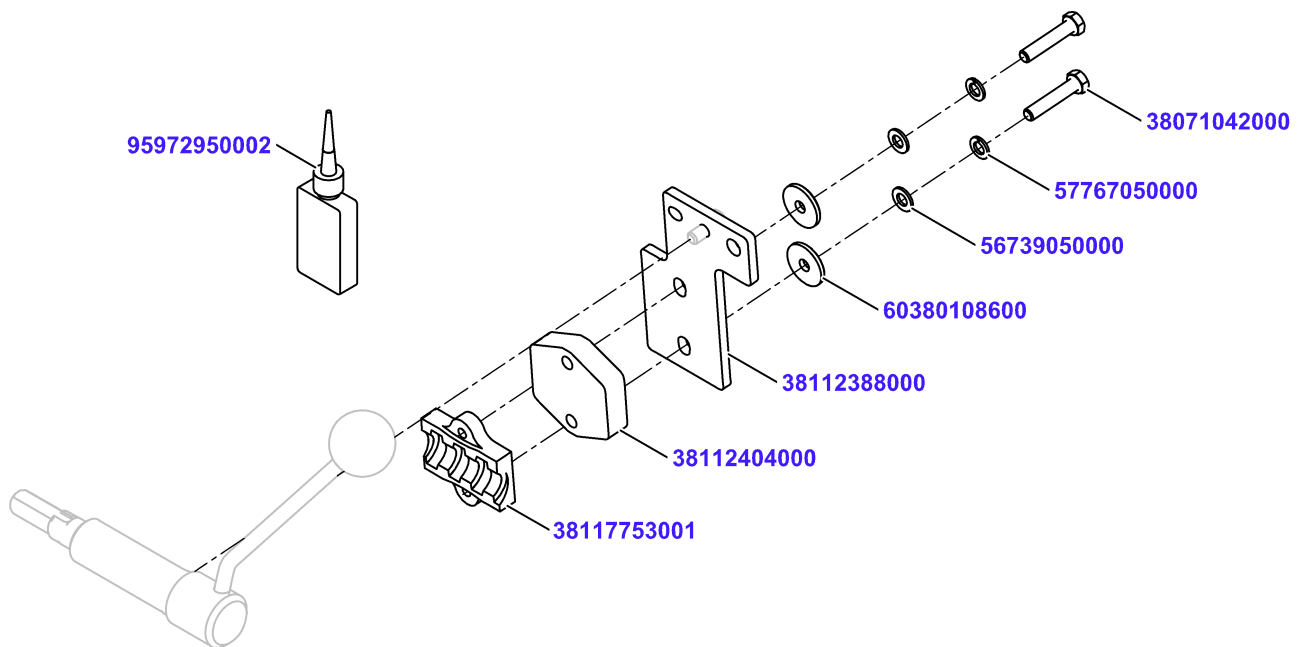


# Bolt NSF cpl

Material No.	Qty	Material description
<a href="#">56086260000</a>	1	Ball knob DIN319 M6x25 I
<a href="#">95972950002</a>	0,001	Loctite 243 50 ml

available for order
Wear part
Recomm. sp. part
Metr. relevance

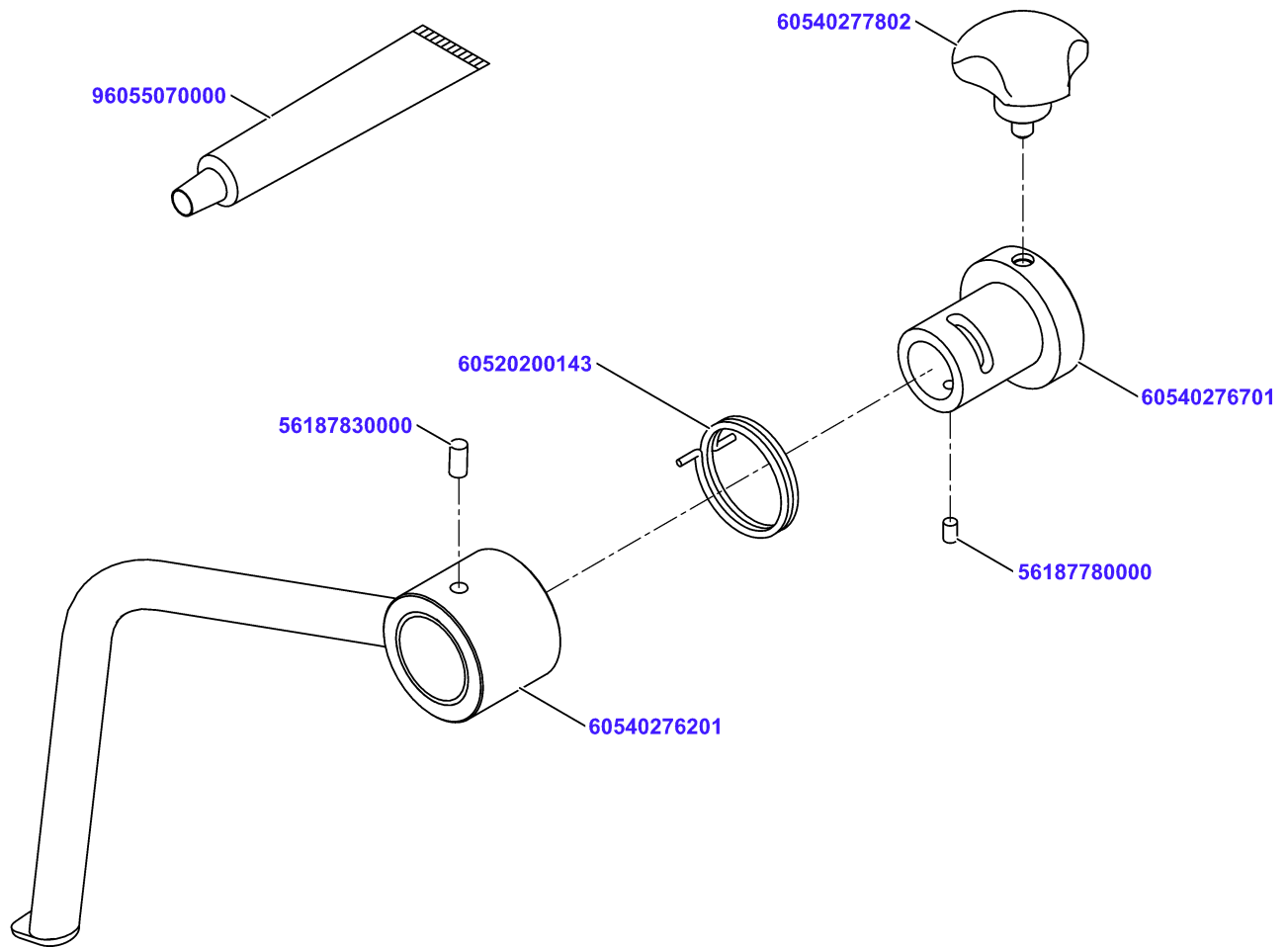
# Holder preassembled



## Holder preassembled

Material No.	Qty	Material description	available for order	Wear part	Recomm. sp. part	Metr. relevance
<a href="#">38112388000</a>	1	Holder	✓			
<a href="#">38112404000</a>	1	Spacer plate 40x40x10	✓			
<a href="#">38117753001</a>	1	Nut Plate TR20X12P4	✓	✓	✓	
<a href="#">38071042000</a>	2	Hexagon screw DIN933 M5x25 A2-70	✓			
<a href="#">60380108600</a>	2	Washer	✓			
<a href="#">56739050000</a>	2	Washer DIN125-A-5-A2	✓			
<a href="#">57767050000</a>	2	Spring lock washer DIN128-A5-FSt	✓			
<a href="#">95972950002</a>	0,001	Loctite 243 50 ml	✓			

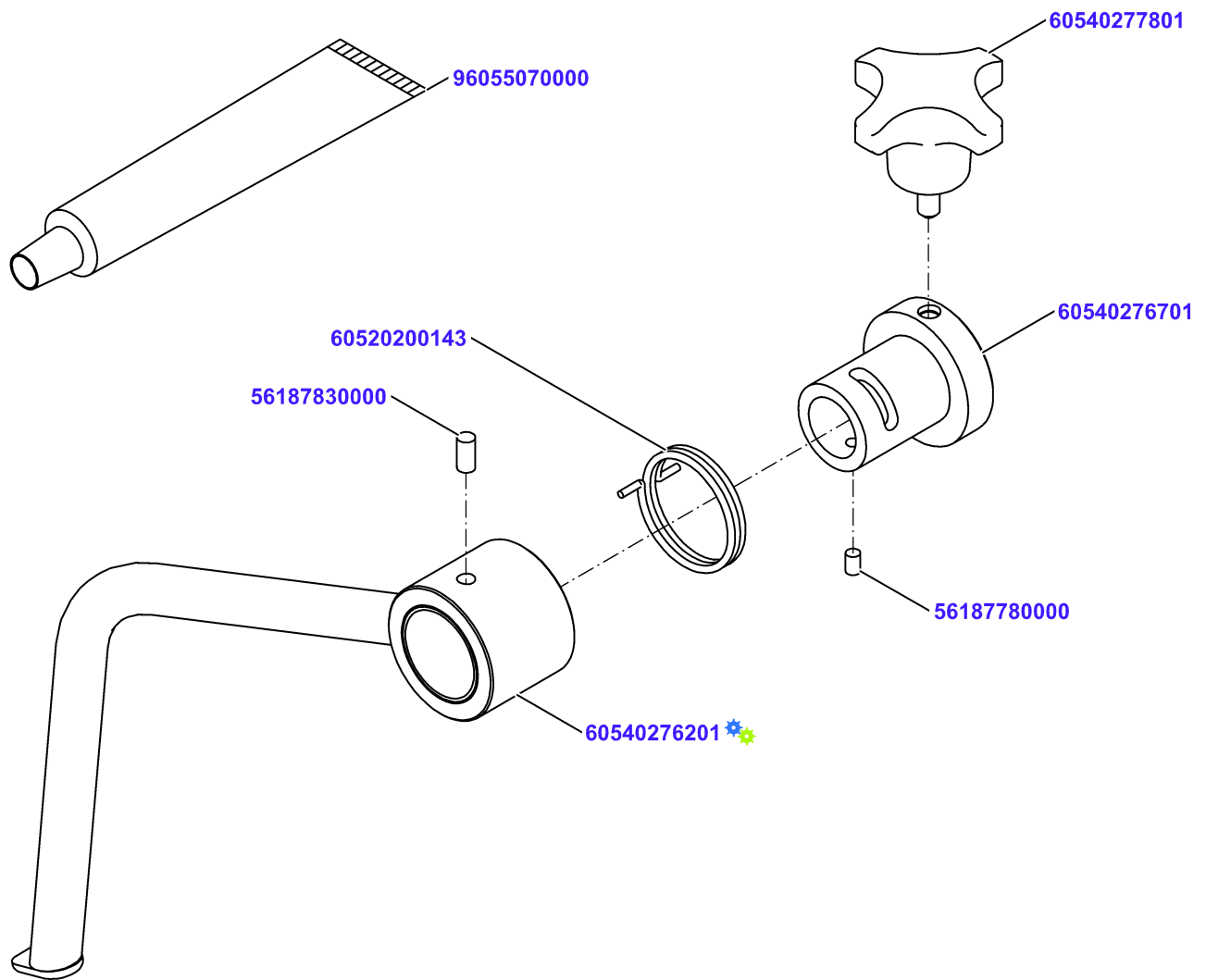
# Holding Down Device ass.



## Holding Down Device ass.

Material No.	Qty	Material description	available for order	Wear part	Recomm. sp. part	Metr. relevance
<a href="#">60540276201</a>	1	Holding Down Device preass.				
<a href="#">56187830000</a>	1	Cylindrical pin EN 22338-5m6x10-A2				
<a href="#">60540276701</a>	1	hub				
<a href="#">60540277802</a>	1	Handle with screw M6 x 13,55				
<a href="#">56187780000</a>	1	Cylindrical pin EN 22338-4m6x6-A2				
<a href="#">60520200143</a>	1	torsion spring				
<a href="#">96055070000</a>	0,005	Grease PARALIQ GA 343				

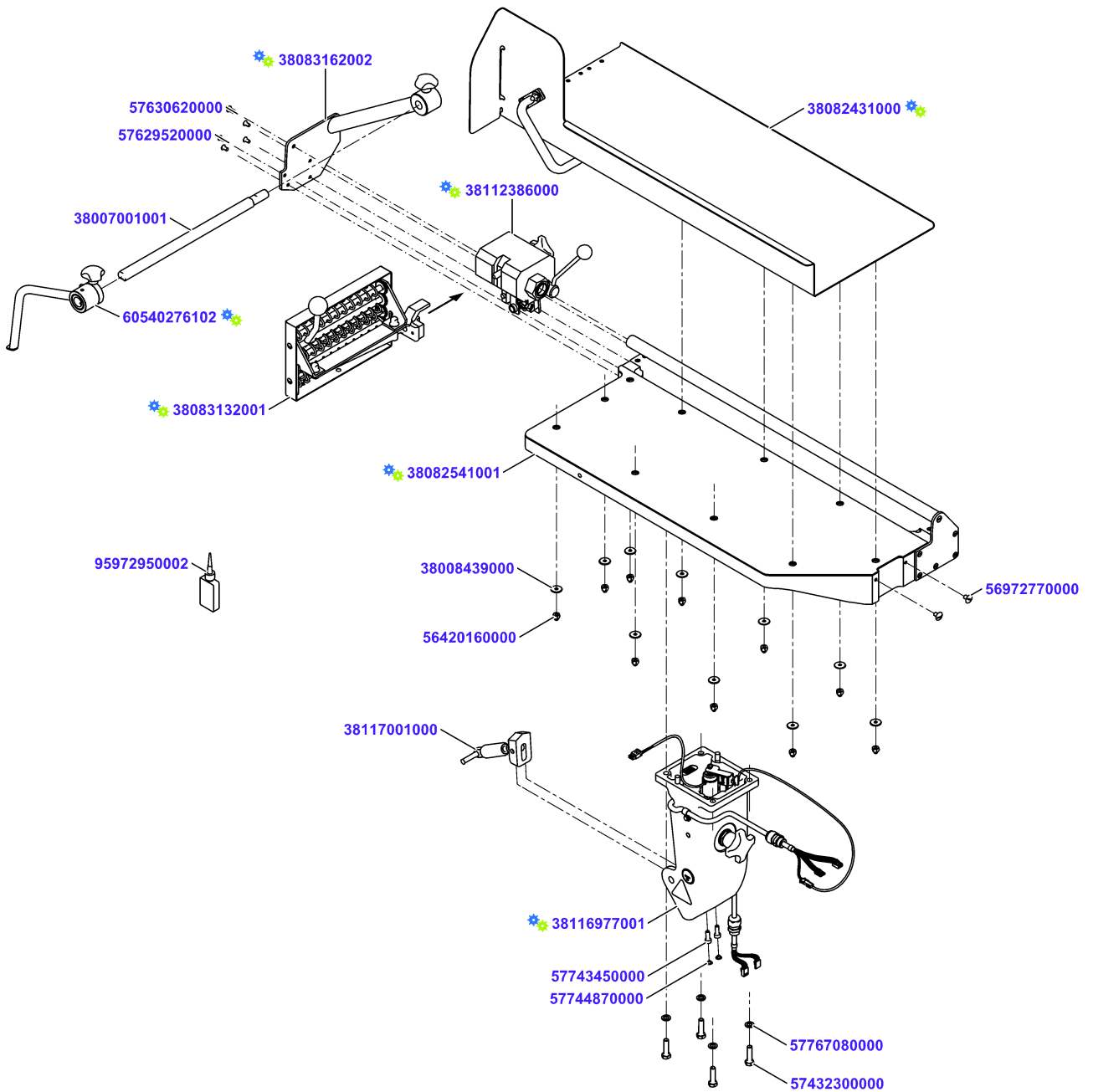
# Holding Down Device ass.



## Holding Down Device ass.

Material No.	Qty	Material description	available for order	Wear part	Recomm. sp. part	Metr. relevance
<a href="#">60540276201</a>	1	Holding Down Device preass.				
<a href="#">56187830000</a>	1	Cylindrical pin EN 22338-5m6x10-A2				
<a href="#">60540276701</a>	1	hub				
<a href="#">56187780000</a>	1	Cylindrical pin EN 22338-4m6x6-A2				
<a href="#">60520200143</a>	1	torsion spring				
<a href="#">96055070000</a>	0,005	Grease PARALIQ GA 343				

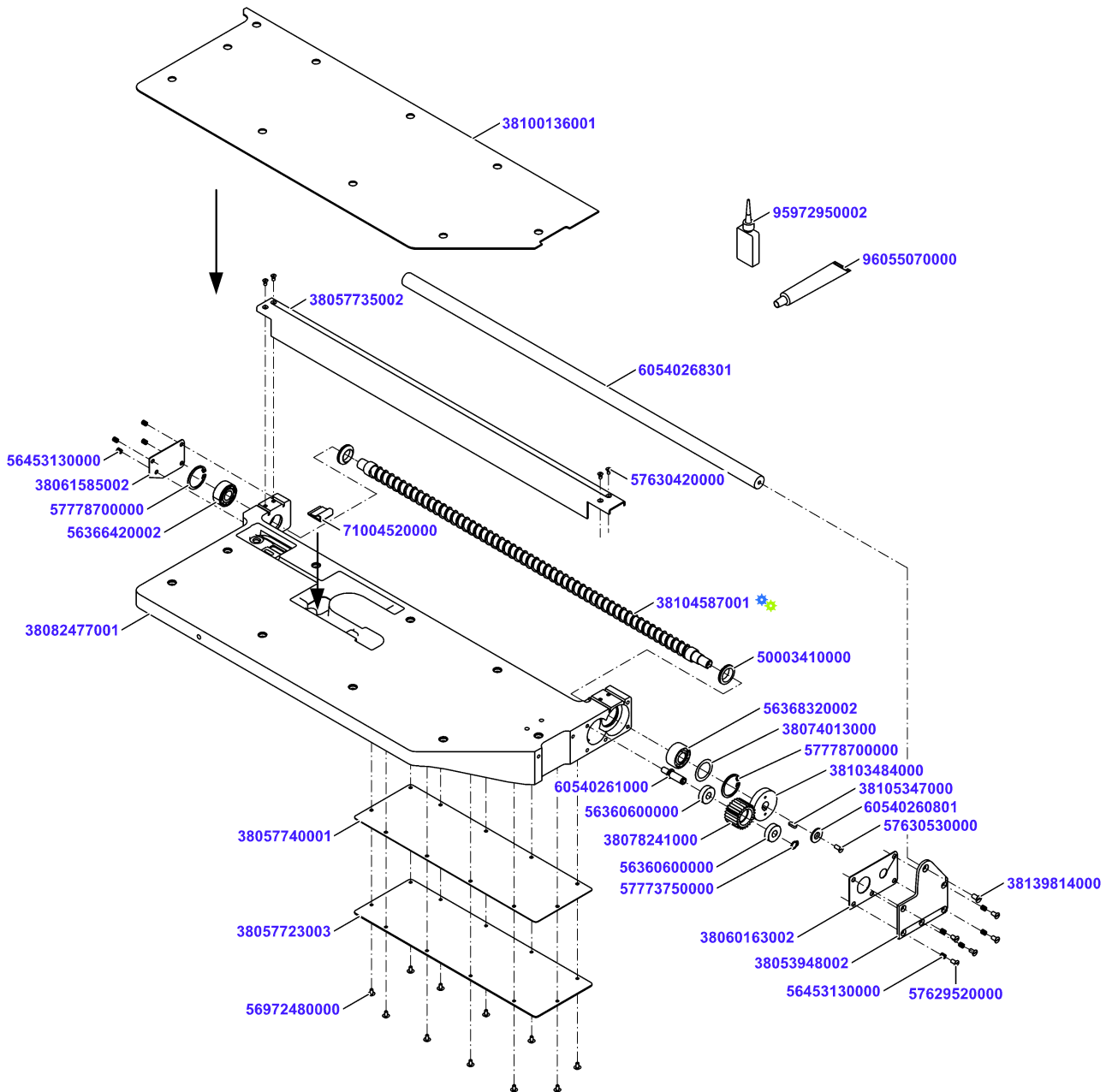
# Carriage 600 NSF



# Carriage 600 NSF

Material No.	Qty	Material description	available for order	Wear part	Recomm. sp. part	Metr. relevance
38082541001	1	Carriage 600 cpl.				
38082431000	1	Carriage Plate Template preass	✓			
56420160000	10	Cap nut DIN986-M6-A2	✓			
38008439000	10	Sealing washer M6	✓		✓	
56972770000	2	Mushroom head screw M6x10-A2-70	✓			
38083162002	1	Product Supporter top NSF cpl				
57629520000	4	Countersunk screw DIN963 M5x10-A2-70	✓			
95972950002	0,001	Loctite 243 50 ml	✓			
57630620000	1	Countersunk screw DIN963 M6x12-A2-70	✓			
38116977001	1	Carriage Foot high cpl.				
57432300000	4	Hexagon screw DIN933 M8x30 A2-70	✓			
57767080000	4	Spring lock washer DIN128-A8-A2	✓			
38117001000	1	Gas pressure spring carriage 600 cpl	✓		✓	
57743450000	2	Cylinder screw DIN912 M6x16-A2-70	✓			
57744870000	2	Protective plug 10x5,2x3,1-PE	✓		✓	
38083132001	1	Product Holder cpl. VSI				
38112386000	1	Product Holder Guide NSF cpl	✓			
38007001001	1	Axis 18x342	✓			
60540276102	1	Holding Down Device ass.	✓			

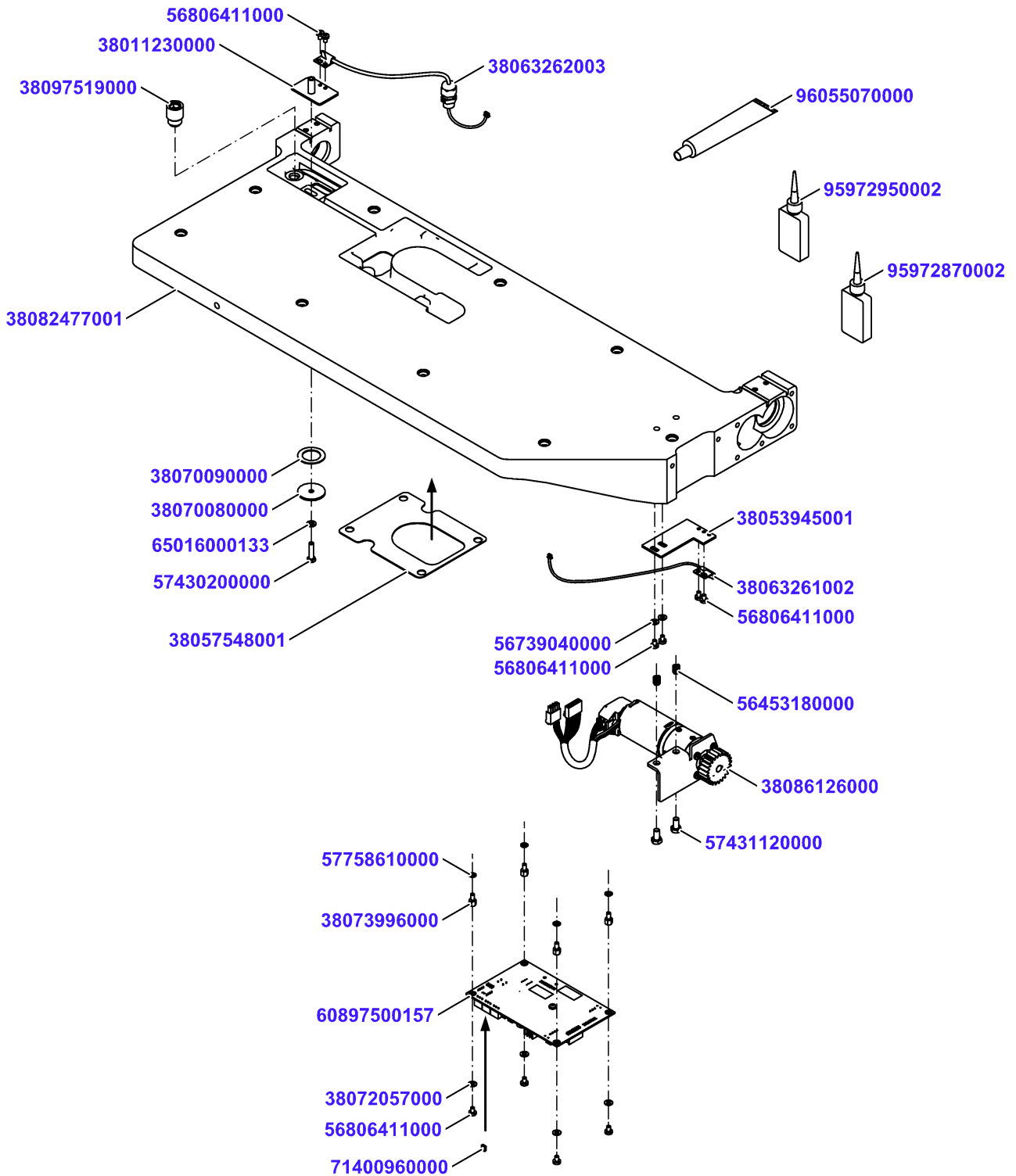
# Carriage 600 cpl.



# Carriage 600 cpl.

Material No.	Qty	Material description	available for order	Wear part	Recomm. sp. part	Metr. relevance
38082477001	1	Carriage 600 cast machined	✓			
56453130000	9	Thread insert M5x7,5-A2	✓			
56366420002	1	Self-Aligning Ball Bearing 2202	✓			
57778700000	1	Retaining ring DIN472-35x1,5	✓			
50003410000	1	Wiper ring 30x20x7	✓			
38104587001	1	Feedspindle 721xTR20X12 ass.	✓			
50003410000	1	Wiper ring 30x20x7	✓			
56368320002	1	Angular bearing double-row 15x35x15,9	✓			
57778700000	1	Retaining ring DIN472-35x1,5	✓			
38074013000	1	Shim ring DIN988-25x35x0,1	✓			
38103484000	1	Gear Wheel	✓			
96055070000	0,001	Grease PARALIQ GA 343	✓			
38105347000	1	Parallel key DIN6885-A 5x3x14	✓			
60540260801	1	Washer	✓			
57630530000	1	Countersunk screw DIN963 M5x12-A2-70	✓			
95972950002	0,001	Loctite 243 50 ml	✓			
60540261000	1	bolt	✓			
38078241000	1	Gear Wheel	✓			
56360600000	2	Grooved ball bearing DIN625 10x26x8	✓			
57773750000	1	Retaining ring DIN471-10x1	✓			
38057735002	1	Guide Rail 600er	✓			
57630420000	4	Countersunk screw DIN963 M4x8-A2-70	✓			
71004520000	1	Flat Cabel Holder 3484-1000	✓			
38053948002	1	Flange	✓			
38060163002	1	Sealing	✓		✓	
57629520000	5	Countersunk screw DIN963 M5x10-A2-70	✓			
38061585002	1	sealing	✓		✓	
60540268301	1	guide shaft	✓			
38139814000	1	Screw DIN963 M6x12-A2 - Precote 80-8	✓		✓	
38100136001	1	Flat Seal Carriage Plate 600	✓		✓	
38057723003	1	Cover 378x119,1x2	✓			
38057740001	1	Seal long	✓		✓	
56972480000	11	Mushroom head screw M4x8-A2-70 Tuflok	✓			

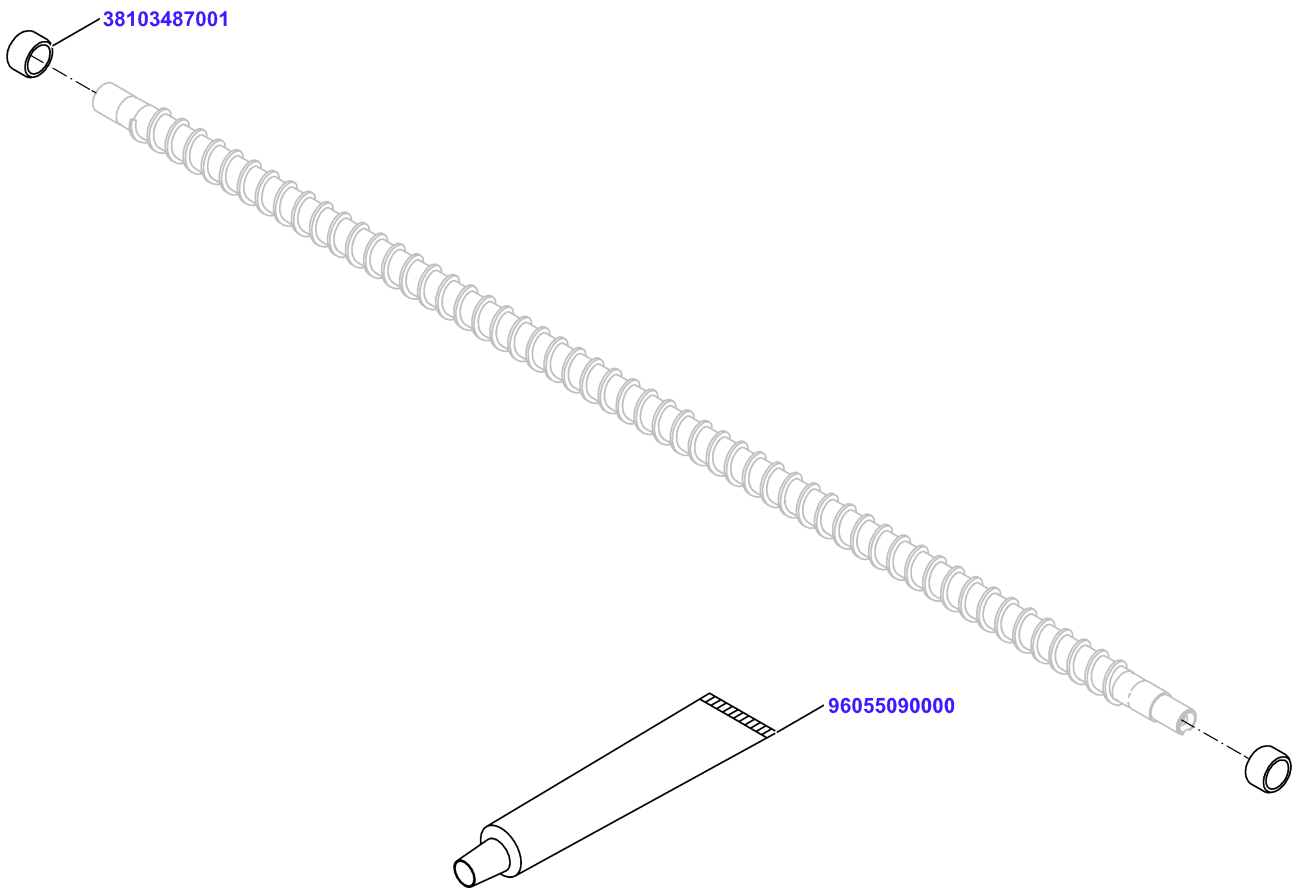
# Carriage 600 cpl.



# Carriage 600 cpl.



Material No.	Qty	Material description	available for order	Wear part	Recomm. sp. part	Metr. relevance
38082477001	1	Carriage 600 cast machined	✓			
56453180000	2	Threaded insert M6x9	✓			
96055070000	0,001	Grease PARALIQ GA 343	✓			
95972950002	0,001	Loctite 243 50 ml	✓			
38053945001	1	Board	✓			
38063261002	1	Sensor product feeding 1 VSI	✓			
56806411000	4	Oval-head screw ISO14583 M4x6-A2-70-T20	✓			
56739040000	2	Washer DIN125-A 4.3-A2-70	✓			
38011230000	1	Board cpl	✓			
38063262003	1	Sensor product feeding 2 VSI	✓			
56806411000	2	Oval-head screw ISO14583 M4x6-A2-70-T20	✓			
38070080000	1	Washer	✓			
38070090000	1	Sealing	✓		✓	
57430200000	1	Hexagon screw DIN933 M5x20 A2-70	✓			
65016000133	1	Washer 5-PA	✓			
38097519000	1	Sleeve 18 x 10 x 24.25	✓			
95972870002	0,001	Loctite 638	✓			
38086126000	1	Motor Product Feeding BG42x15 cpl	✓			
57431120000	2	Hexagon screw DIN933 M6x12 A2-70	✓			
60897500157	1	PCBAP MC 3ph 2ch lv bus	✓			
71400960000	1	Short Circuit Bracket 3131 731000406	✓		✓	
57758610000	4	Toothed washer DIN6797-A 4,3-Fst	✓			
38073996000	4	Distance bolt SW7x6 M4-M4 In-Out	✓			
56806411000	4	Oval-head screw ISO14583 M4x6-A2-70-T20	✓			
38072057000	4	Washer DIN125-A-4-PA6	✓			
38057548001	1	Seal	✓		✓	

## Feedspindle 721xTR20X12 ass.

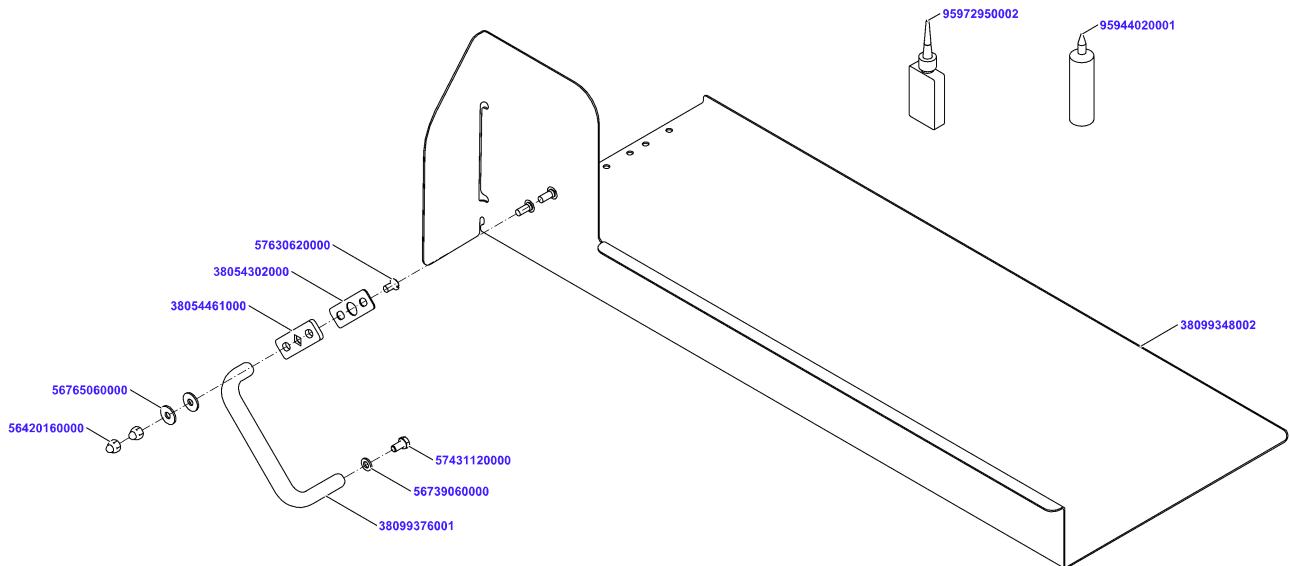


## Feedspindle 721xTR20X12 ass.

Material No.	Qty	Material description
<a href="#">38103487001</a>	2	Ring 12x20x15H7
<a href="#">96055090000</a>	0,002	Assembly-paste Rivolta F.L.A. 100 ml

available for order	Wear part	Recomm. sp. part	Metr. relevance
			
			

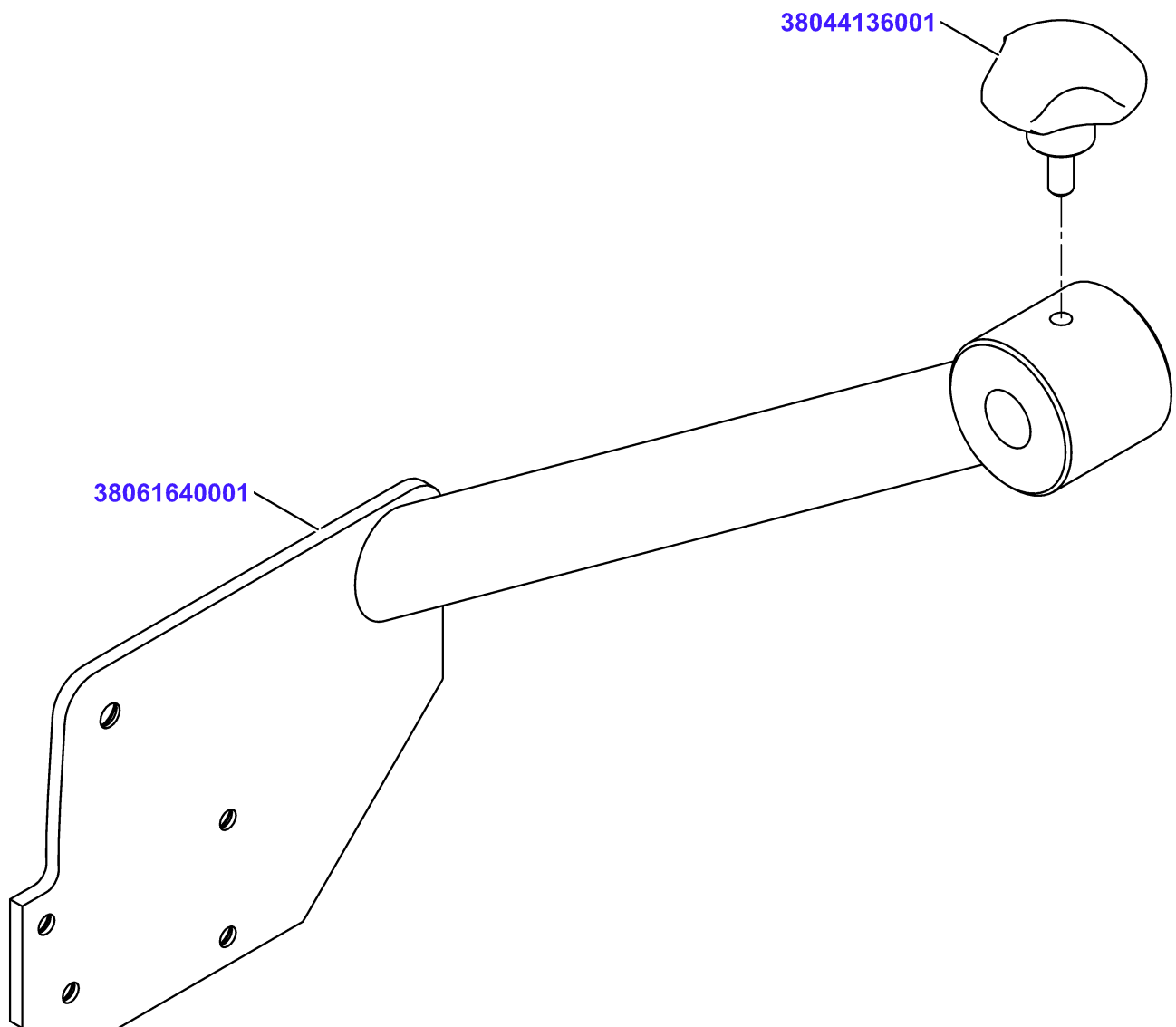
# Carriage Plate Template preass



## Carriage Plate Template preass

Material No.	Qty	Material description	available for order	Wear part	Recomm. sp. part	Metr. relevance
<a href="#">38099348002</a>	1	Carriage Plate welded	✓			
<a href="#">38099376001</a>	1	Handle	✓			
<a href="#">38054461000</a>	1	Plate	✓			
<a href="#">38054302000</a>	1	Gasket	✓		✓	
<a href="#">95944020001</a>	10	Silicone Rubber Elastosil E41 90ml	✓			
<a href="#">57630620000</a>	1	Countersunk screw DIN963 M6x12-A2-70	✓			
<a href="#">95972950002</a>	0,001	Loctite 243 50 ml	✓			
<a href="#">56420160000</a>	2	Cap nut DIN986-M6-A2	✓			
<a href="#">56765060000</a>	2	Washer DIN9021-6-A2	✓			
<a href="#">57431120000</a>	1	Hexagon screw DIN933 M6x12 A2-70	✓			
<a href="#">56739060000</a>	1	Washer DIN125-A-6-A2	✓			

## Product Supporter top NSF cpl

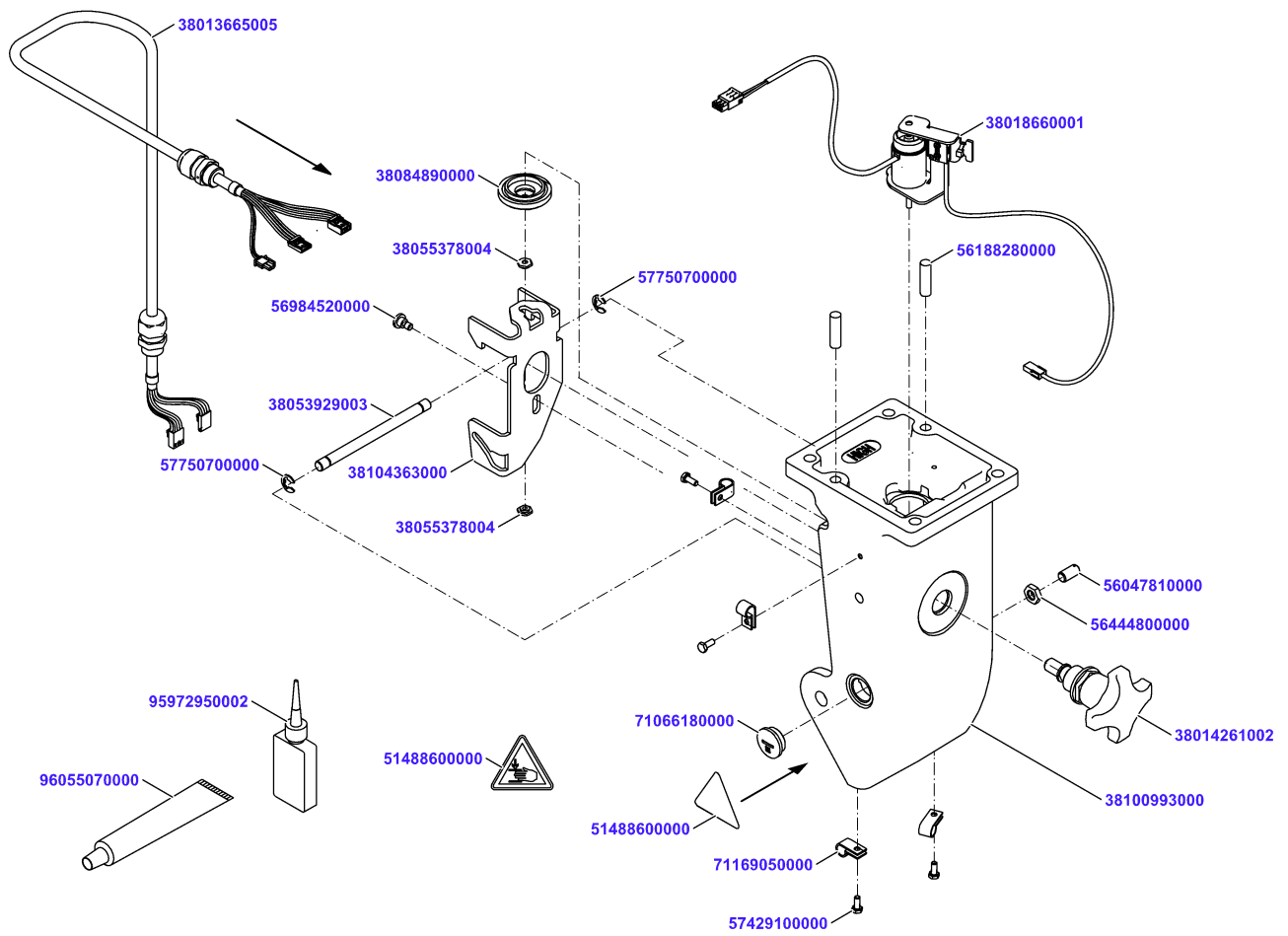


## Product Supporter top NSF cpl

Material No.	Qty	Material description
<a href="#">38061640001</a>	1	Mounting welded
<a href="#">38044136001</a>	1	Handle with screw M6 x 14,75

available for order
Wear part
Recomm. sp. part
Metr. relevance

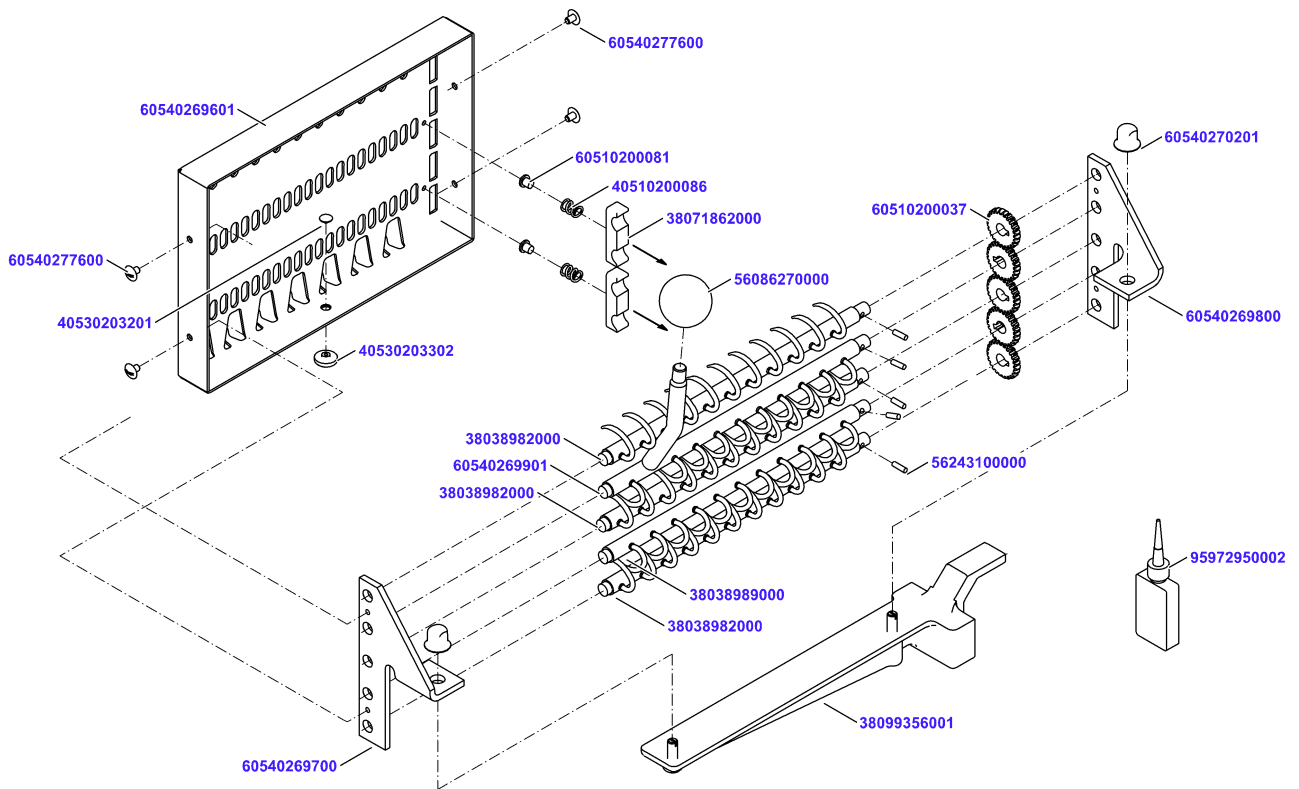
# Carriage Foot high cpl.



# Carriage Foot high cpl.

Material No.	Qty	Material description	available for order	Wear part	Recomm. sp. part	Metr. relevance
<a href="#">38100993000</a>	1	Carriage Foot high hygienic mach	✓			
<a href="#">56188280000</a>	2	Cylindrical pin EN 22338-8m6x28-A2	✓			
<a href="#">56047810000</a>	1	Set screw DIN551 M8x16-PA 66	✓			
<a href="#">56444800000</a>	1	Hexagon nut DIN439-M8-A2	✓			
<a href="#">38018660001</a>	1	Magnet preass	✓	✓	✓	
<a href="#">38084890000</a>	1	Cap preass	✓			
<a href="#">38055378004</a>	2	Hexagon nut	✓			
<a href="#">95972950002</a>	0,001	Loctite 243 50 ml	✓			
<a href="#">38104363000</a>	1	Interlock	✓			
<a href="#">96055070000</a>	0,001	Grease PARALIQ GA 343	✓			
<a href="#">56984520000</a>	1	Pan head screw DIN923 M5x4A2-70	✓			
<a href="#">71066180000</a>	1	Blind plug BLK- M20	✓			
<a href="#">38014261002</a>	1	Handle preass.	✓			
<a href="#">38053929003</a>	1	Stop Bolt	✓			
<a href="#">57750700000</a>	2	Retaining washer DIN6799-7	✓			
<a href="#">71169050000</a>	4	Cable Clamp nylon 7,4mm NK-5N	✓			
<a href="#">38013665005</a>	1	Ka Rd 12x24AWG 0,87m	✓			
<a href="#">57429100000</a>	4	Hexagon screw DIN933 M4x10 A2-70	✓			
<a href="#">51488600000</a>	1	Warning Plate Hand Injury 7.29K	✓			

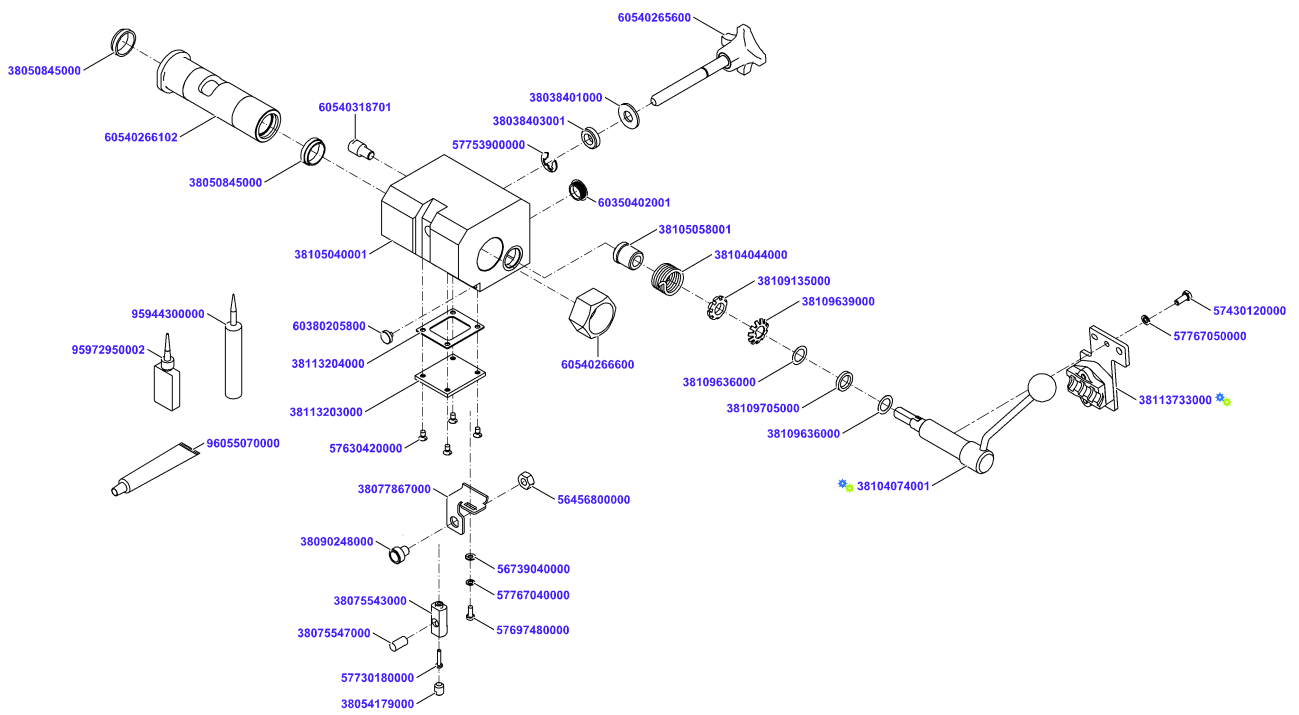
# Product Holder cpl. VSI



## Product Holder cpl. VSI

Material No.	Qty	Material description	available for order	Wear part	Recomm. sp. part	Metr. relevance
60540269601	1	product holder	✓			
60510200081	2	collar stud	✓			
60540269700	1	Side frame left	✓			
60540269800	1	Side frame right	✓			
38038982000	3	Gripper Shaft cpl.	✓			
38038989000	1	Gripper Shaft cpl.	✓			
60540269901	1	Gripper Shaft cpl.	✓			
56086270000	1	Ball knob DIN319 M8x32 I	✓			
56243100000	5	Cylindrical pin EN 22338-3h11x10-A2	✓			
60510200037	5	Pinion	✓			
40510200086	2	Pressure spring	✓			
38071862000	2	brake pad	✓			
60540277600	4	self-tapping screw	✓			
38099356001	1	Holder preass.	✓			
60540270201	2	Cap nut M6	✓		✓	
95972950002	0,001	Loctite 243 50 ml	✓			
40530203201	1	push button	✓			
40530203302	1	sliding piece	✓		✓	

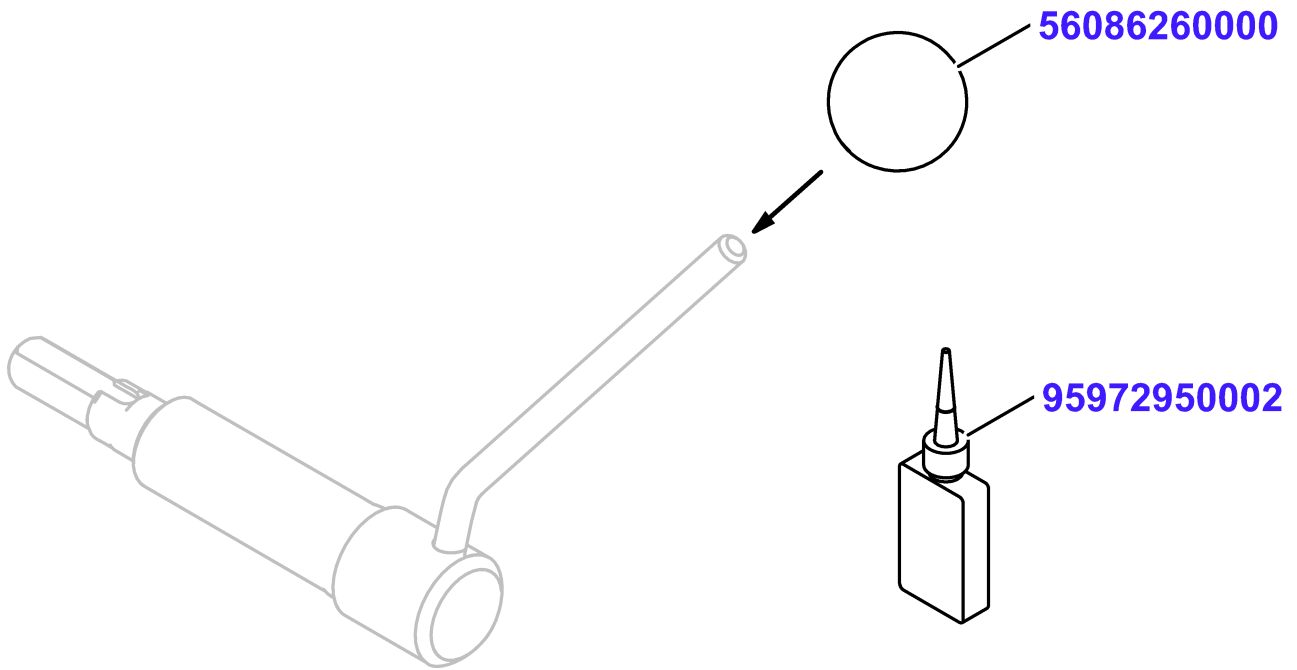
# Product Holder Guide NSF cpl



# Product Holder Guide NSF cpl

Material No.	Qty	Material description	available for order	Wear part	Recomm. sp. part	Metr. relevance
38105040001	1	Product Holder Guide	✓			
60540265600	1	locking lever mount.	✓			
38038401000	1	washer	✓			
38038403001	1	Bushing 19,1x10,7x5	✓			
57753900000	1	Retaining washer DIN6799-9	✓			
60540266102	1	Bushing complete	✓			
38050845000	2	Deflector Ring	✓			
60540266600	1	hex nut	✓			
38109705000	1	Shaft seal 12x18x3	✓			
38109636000	1	Shim ring DIN988-12x18x0,2	✓			
38104074001	1	Bolt NSF cpl	✓			
38109636000	1	Shim ring DIN988-12x18x0,2	✓			
38109639000	1	Safety plate DIN5406-MB1	✓			
38109135000	1	Grooved nut M12 x 0.5	✓			
38105058001	1	Bushing 19,5/18x10,2x21	✓			
38104044000	1	Torsion spring left	✓			
96055070000	0,005	Grease PARALIQ GA 343	✓			
38113733000	1	Holder preassembled	✓			
57767050000	1	Spring lock washer DIN128-A5-FSt	✓			
57430120000	1	Hexagon screw DIN933 M5x12 A2-70	✓			
60350402001	1	Protective plug	✓			
95944300000	0,005	Kitchen silicone ELASTO4710	✓			
38113203000	1	cover	✓			
38113204000	1	Seal 47x40x1	✓			
57630420000	4	Countersunk screw DIN963 M4x8-A2-70	✓			
38077867000	1	Magnet Base	✓			
38090248000	1	Magnet Vacodym 370 wz round 10x4 preass	✓			
56456800000	1	Hexagon nut DIN934-M8-A2	✓			
57697480000	1	Cylinder screw DIN84 M4x10-A2-70	✓			
56739040000	1	Washer DIN125-A 4.3-A2-70	✓			
57767040000	1	Spring lock washer DIN128-A4-FSt	✓			
38075543000	1	Mounting Pin	✓			
57730180000	1	Oval-head screw ISO14583 M3x16-A2-70-T10	✓			
38075547000	1	Parallel Pin 8x15	✓			
38054179000	1	Set screw DIN438 M8x10-A2-70	✓			
60380205800	1	SLIDE PIN	✓			
60540318701	1	stop pin	✓			
95972950002	0,001	Loctite 243 50 ml	✓			

# Bolt NSF cpl

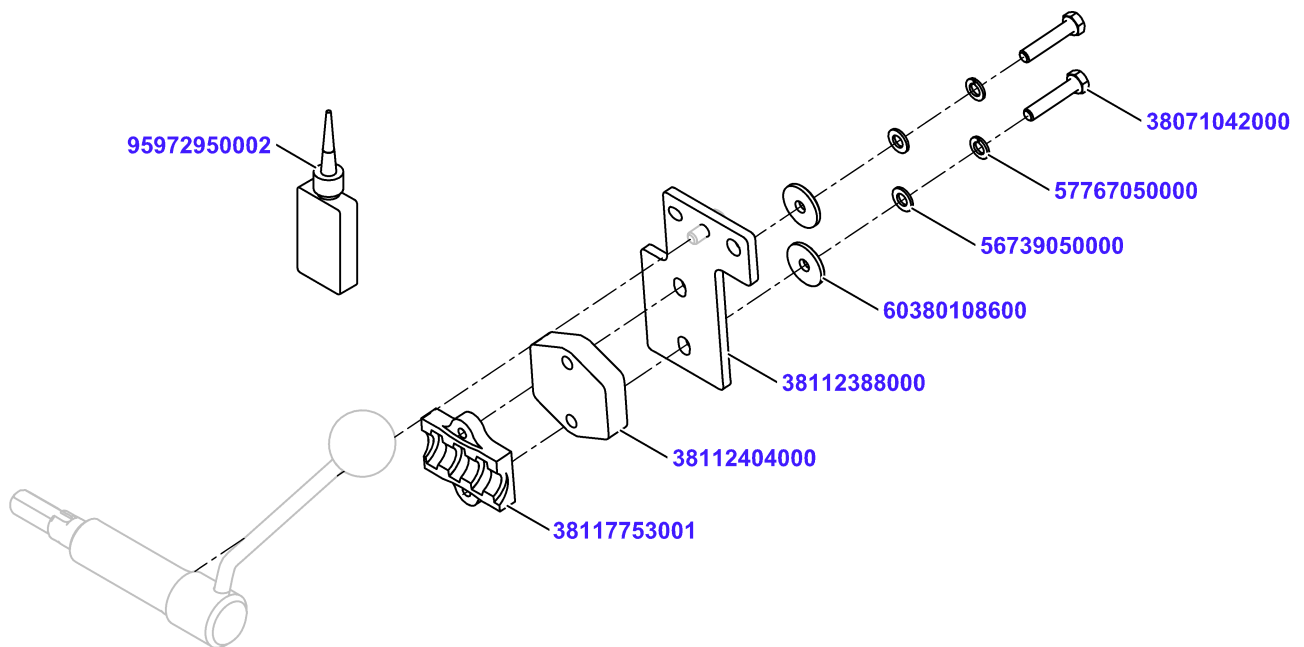


# Bolt NSF cpl

Material No.	Qty	Material description
<a href="#">56086260000</a>	1	Ball knob DIN319 M6x25 I
<a href="#">95972950002</a>	0,001	Loctite 243 50 ml

available for order
Wear part
Recomm. sp. part
Metr. relevance

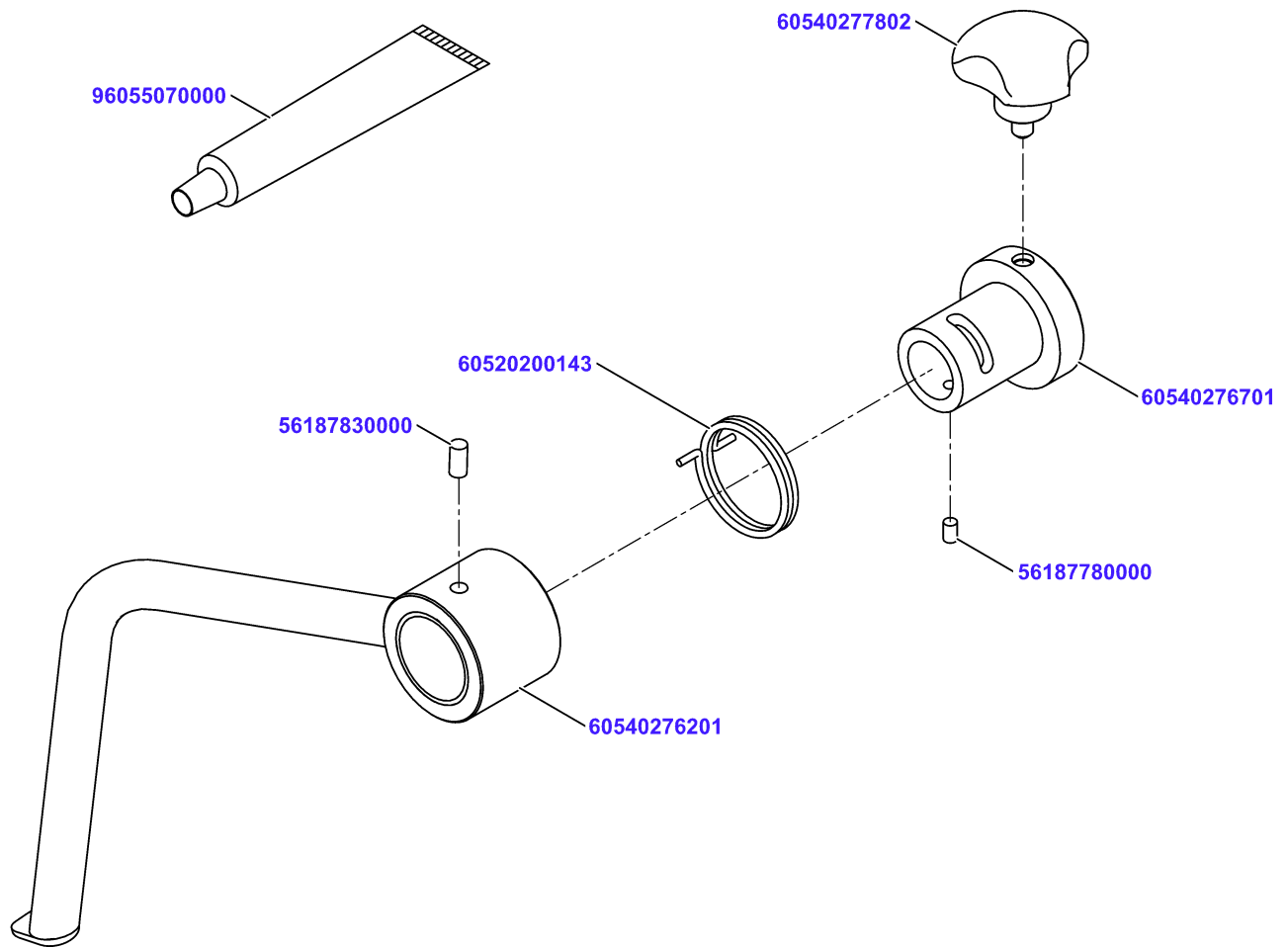
# Holder preassembled



## Holder preassembled

Material No.	Qty	Material description	available for order	Wear part	Recomm. sp. part	Metr. relevance
<a href="#">38112388000</a>	1	Holder	✓			
<a href="#">38112404000</a>	1	Spacer plate 40x40x10	✓			
<a href="#">38117753001</a>	1	Nut Plate TR20X12P4	✓	✓	✓	
<a href="#">38071042000</a>	2	Hexagon screw DIN933 M5x25 A2-70	✓			
<a href="#">60380108600</a>	2	Washer	✓			
<a href="#">56739050000</a>	2	Washer DIN125-A-5-A2	✓			
<a href="#">57767050000</a>	2	Spring lock washer DIN128-A5-FSt	✓			
<a href="#">95972950002</a>	0,001	Loctite 243 50 ml	✓			

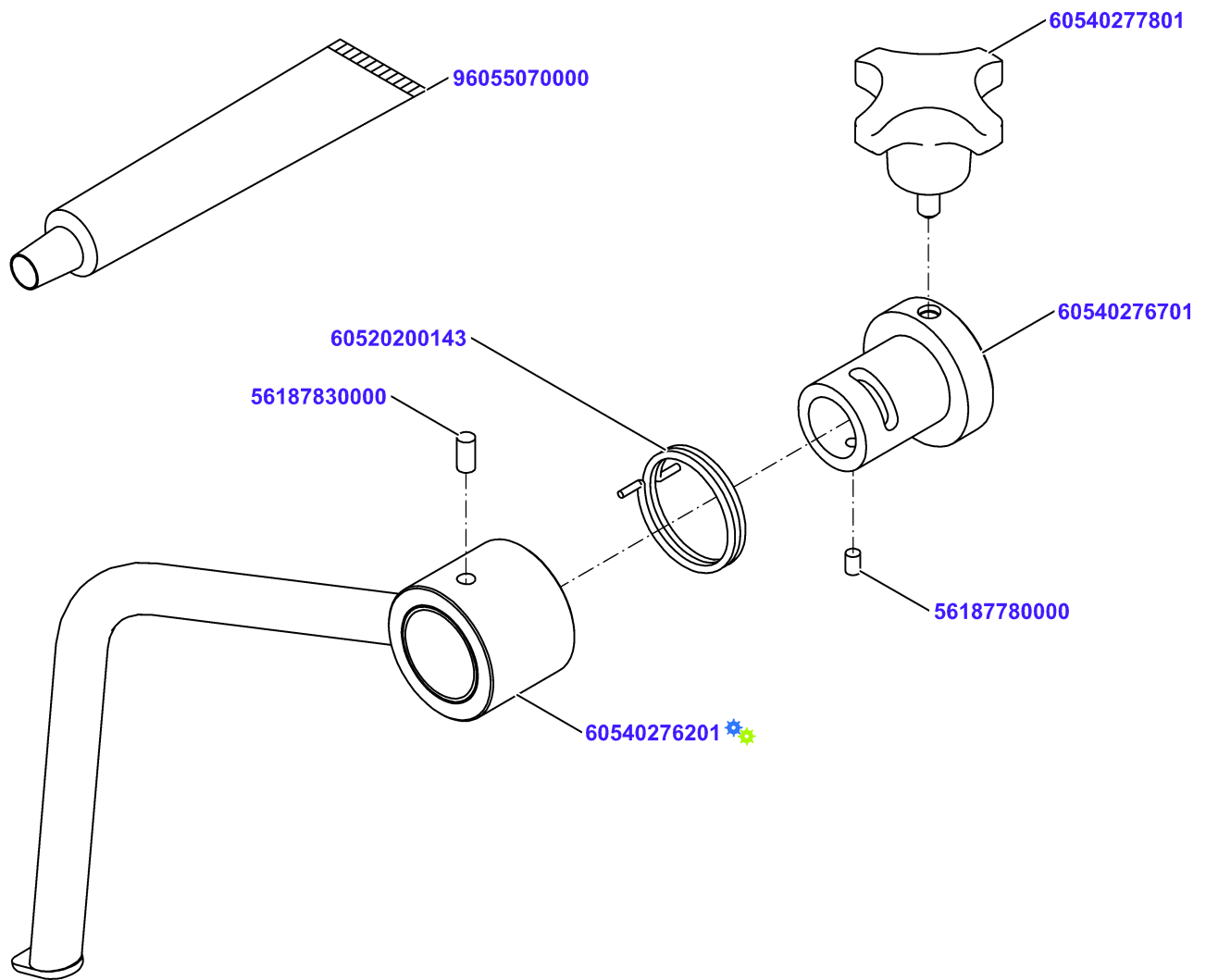
# Holding Down Device ass.









## Holding Down Device ass.

Material No.	Qty	Material description	available for order	Wear part	Recomm. sp. part	Metr. relevance
<a href="#">60540276201</a>	1	Holding Down Device preass.				
<a href="#">56187830000</a>	1	Cylindrical pin EN 22338-5m6x10-A2				
<a href="#">60540276701</a>	1	hub				
<a href="#">60540277802</a>	1	Handle with screw M6 x 13,55				
<a href="#">56187780000</a>	1	Cylindrical pin EN 22338-4m6x6-A2				
<a href="#">60520200143</a>	1	torsion spring				
<a href="#">96055070000</a>	0,005	Grease PARALIQ GA 343				

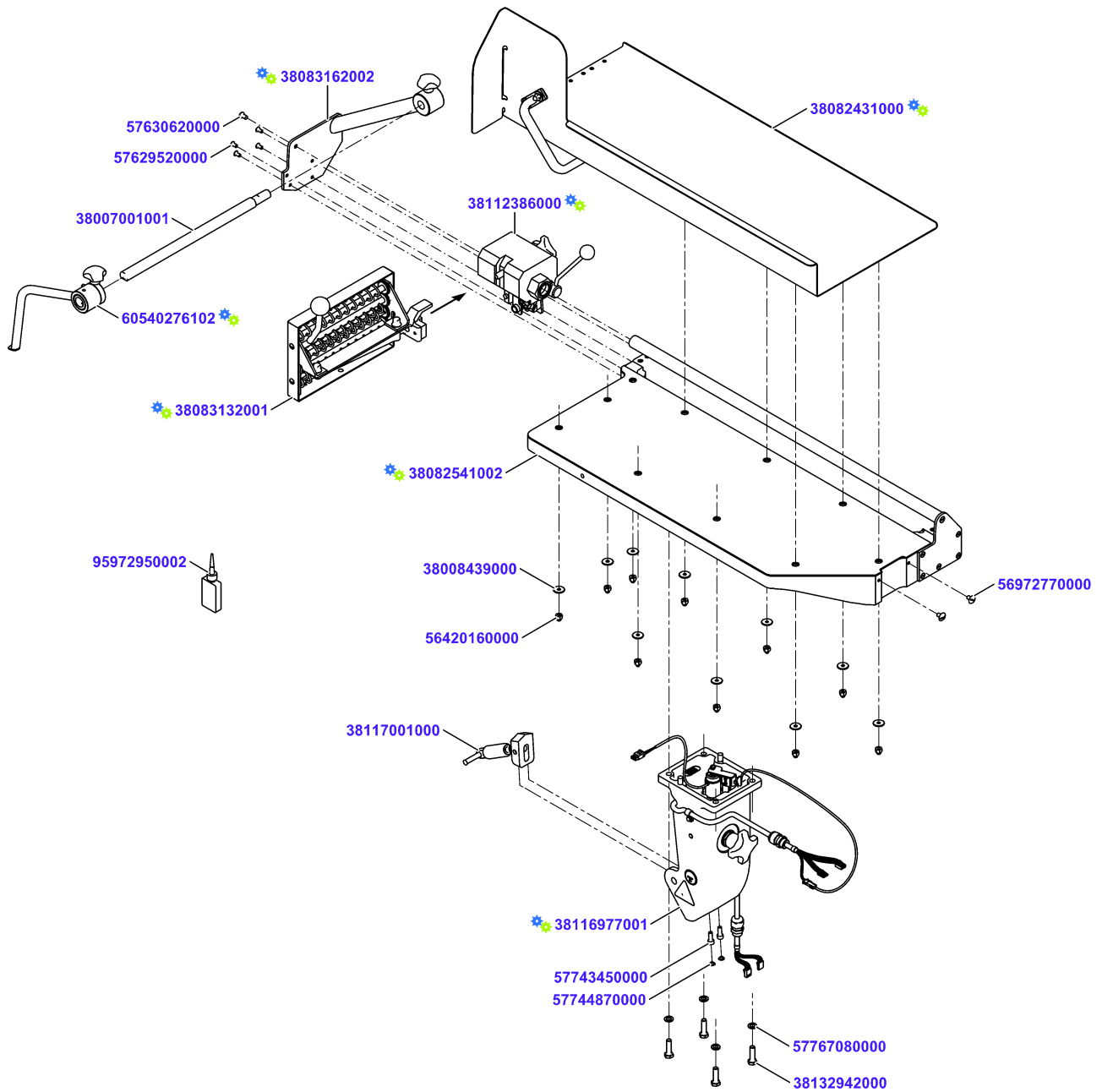
# Holding Down Device ass.



## Holding Down Device ass.

Material No.	Qty	Material description	available for order	Wear part	Recomm. sp. part	Metr. relevance
<a href="#">60540276201</a>	1	Holding Down Device preass.				
<a href="#">56187830000</a>	1	Cylindrical pin EN 22338-5m6x10-A2				
<a href="#">60540276701</a>	1	hub				
<a href="#">56187780000</a>	1	Cylindrical pin EN 22338-4m6x6-A2				
<a href="#">60520200143</a>	1	torsion spring				
<a href="#">96055070000</a>	0,005	Grease PARALIQ GA 343				

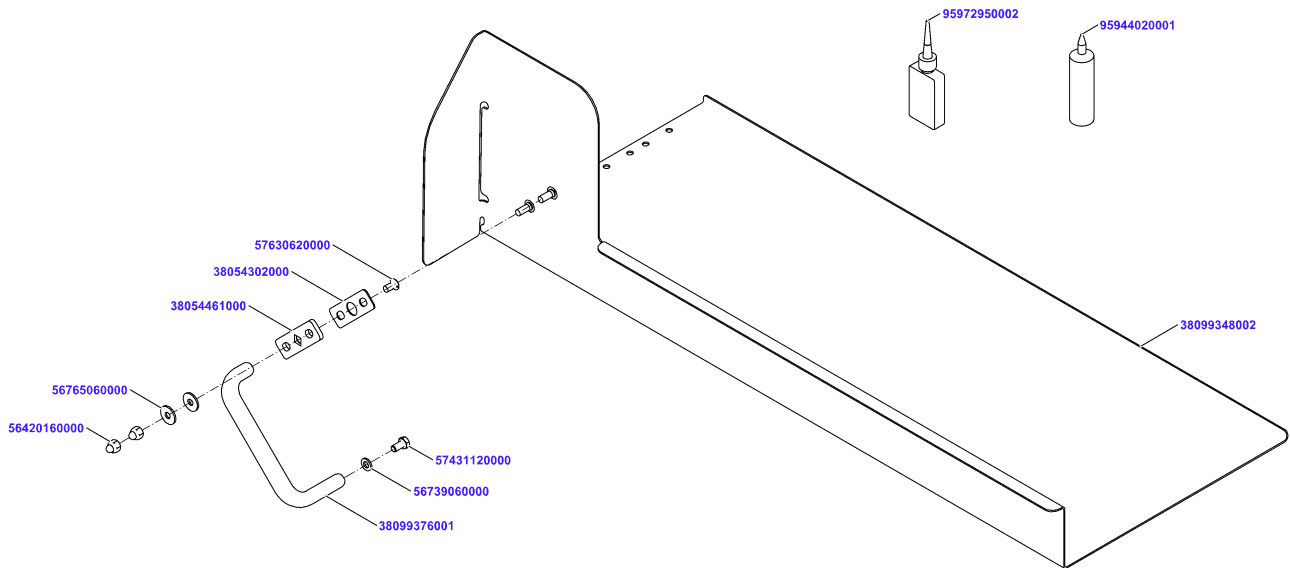
# Carriage VSI 600 NSF



# Carriage VSI 600 NSF

Material No.	Qty	Material description	available for order	Wear part	Recomm. sp. part	Metr. relevance
<a href="#">38082431000</a>	1	Carriage Plate Template preass	✓			
<a href="#">56420160000</a>	10	Cap nut DIN986-M6-A2	✓			
<a href="#">38008439000</a>	10	Sealing washer M6	✓		✓	
<a href="#">56972770000</a>	2	Mushroom head screw M6x10-A2-70	✓			
<a href="#">38082541002</a>	1	Carriage 600 premounted	✓			
<a href="#">38083162002</a>	1	Product Supporter top NSF cpl	✓			
<a href="#">57629520000</a>	4	Countersunk screw DIN963 M5x10-A2-70	✓			
<a href="#">95972950002</a>	0,001	Loctite 243 50 ml	✓			
<a href="#">57630620000</a>	1	Countersunk screw DIN963 M6x12-A2-70	✓			
<a href="#">38116977001</a>	1	Carriage Foot high cpl.	✓			
<a href="#">38132942000</a>	4	Hexagon screw DIN 933 M8x28 A2-70	✓			
<a href="#">57767080000</a>	4	Spring lock washer DIN128-A8-A2	✓			
<a href="#">38117001000</a>	1	Gas pressure spring carriage 600 cpl	✓		✓	
<a href="#">57743450000</a>	2	Cylinder screw DIN912 M6x16-A2-70	✓			
<a href="#">57744870000</a>	2	Protective plug 10x5,2x3,1-PE	✓		✓	
<a href="#">38083132001</a>	1	Product Holder cpl. VSI	✓			
<a href="#">38112386001</a>	1	Product Holder Guide NSF cpl	✓			
<a href="#">38007001001</a>	1	Axis 18x342	✓			
<a href="#">60540276102</a>	1	Holding Down Device ass.	✓			

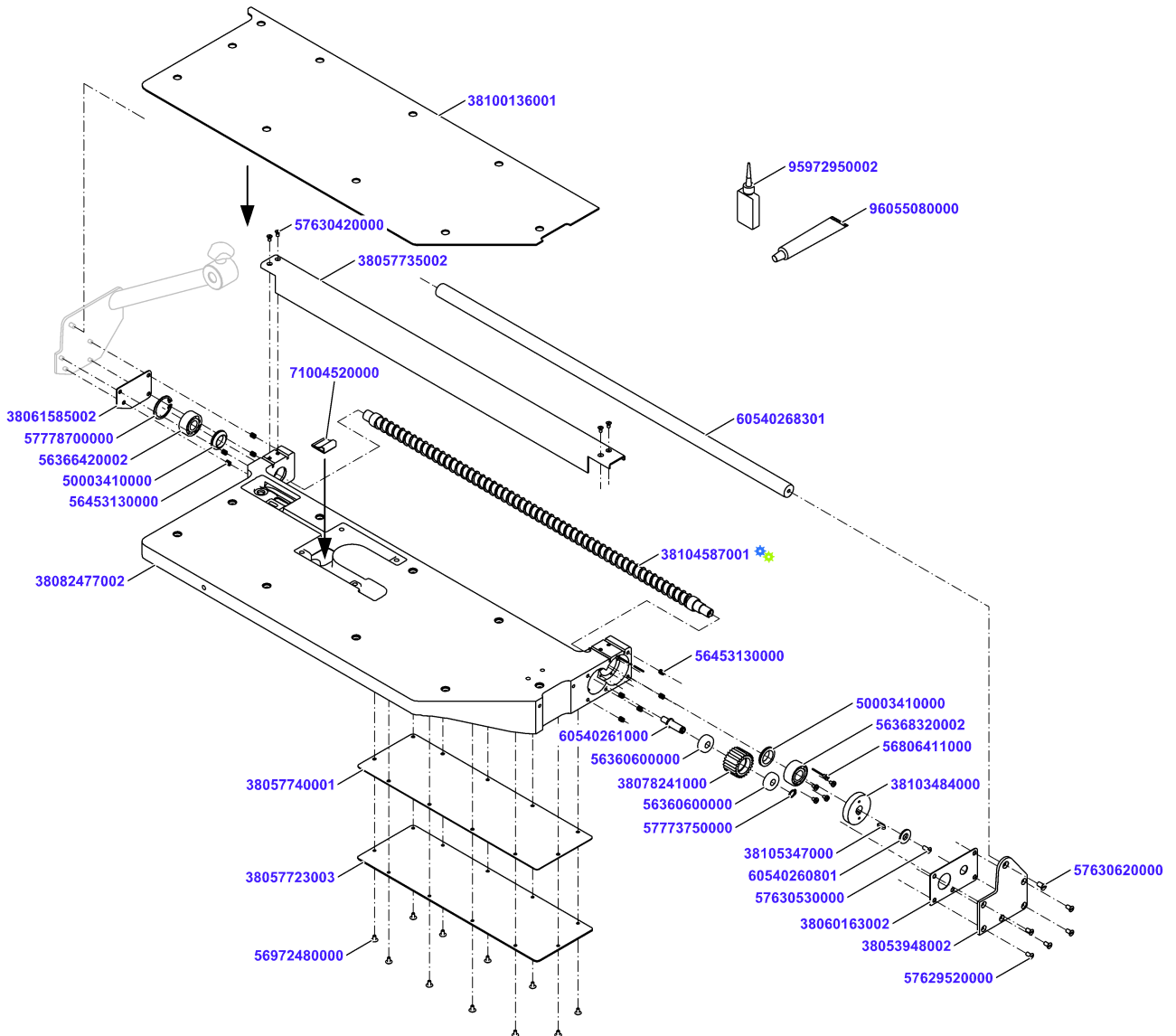
# Carriage Plate Template press



# Carriage Plate Template press

Material No.	Qty	Material description	available for order	Wear part	Recomm. sp. part	Metr. relevance
<a href="#">38099348002</a>	1	Carriage Plate welded	✓			
<a href="#">38099376001</a>	1	Handle	✓			
<a href="#">38054461000</a>	1	Plate	✓			
<a href="#">38054302000</a>	1	Gasket	✓		✓	
<a href="#">95944020001</a>	10	Silicone Rubber Elastosil E41 90ml	✓			
<a href="#">57630620000</a>	1	Countersunk screw DIN963 M6x12-A2-70	✓			
<a href="#">95972950002</a>	0,001	Loctite 243 50 ml	✓			
<a href="#">56420160000</a>	2	Cap nut DIN986-M6-A2	✓			
<a href="#">56765060000</a>	2	Washer DIN9021-6-A2	✓			
<a href="#">57431120000</a>	1	Hexagon screw DIN933 M6x12 A2-70	✓			
<a href="#">56739060000</a>	1	Washer DIN125-A-6-A2	✓			

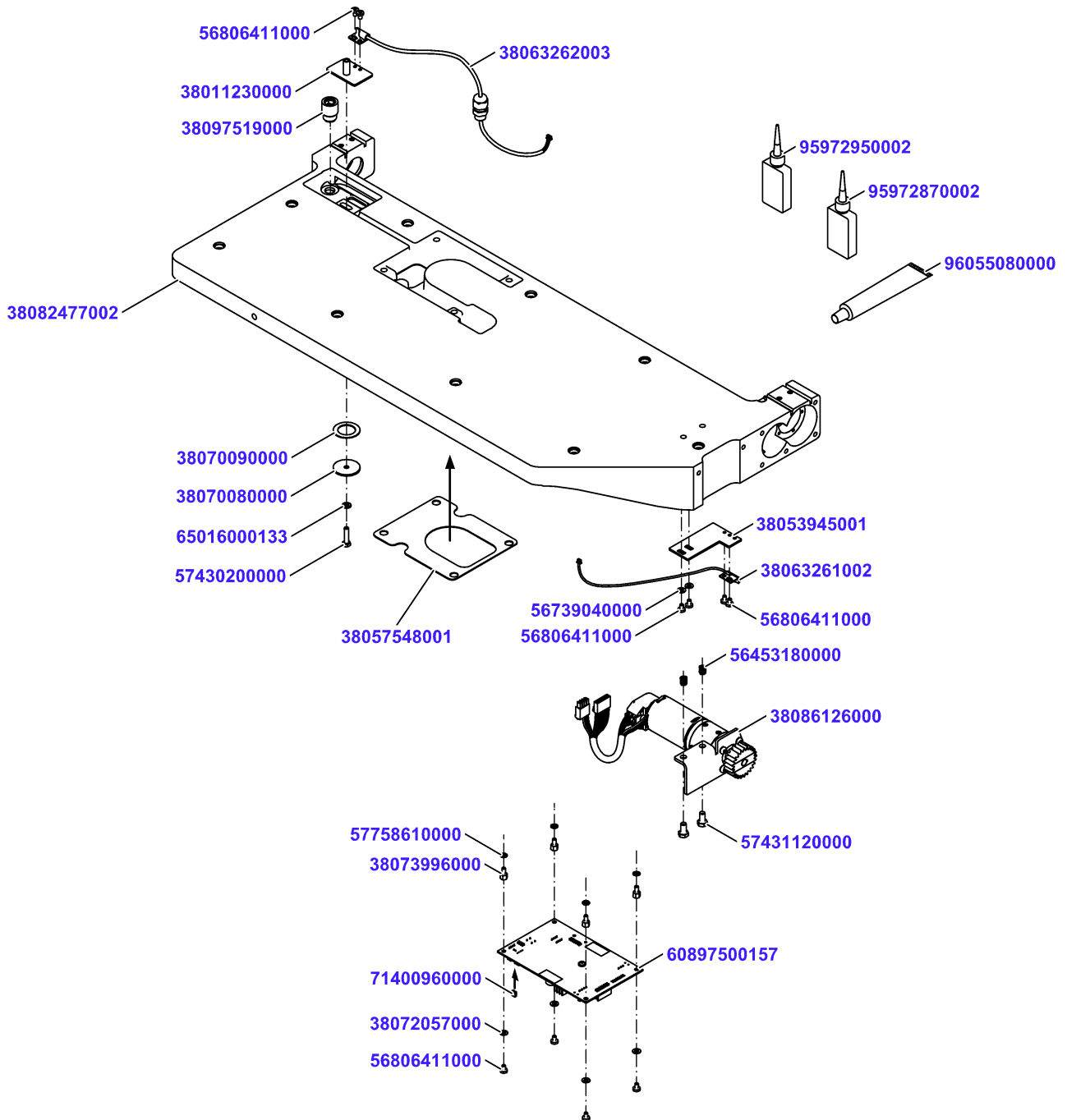
# Carriage 600 premounted



# Carriage 600 premounted

Material No.	Qty	Material description	available for order	Wear part	Recomm. sp. part	Metr. relevance
38082477002	1	Carriage Carrier 600 machined	✓			
56453130000	9	Thread insert M5x7,5-A2	✓			
57778700000	1	Retaining ring DIN472-35x1,5	✓			
38104587001	1	Feedspindle 721xTR20X12 ass.	✓			
96055080000	0,001	Kluebersynth UH1 64-62/25kg	✓			
56806411000	5	Oval-head screw ISO14583 M4x6-A2-70-T20	✓			
95972950002	0,005	Loctite 243 50 ml	✓			
38103484000	1	Gear Wheel	✓			
38105347000	1	Parallel key DIN6885-A 5x3x14	✓			
60540260801	1	Washer	✓			
57630530000	1	Countersunk screw DIN963 M5x12-A2-70	✓			
60540261000	1	bolt	✓			
38078241000	1	Gear Wheel	✓			
56360600000	2	Grooved ball bearing DIN625 10x26x8	✓			
57773750000	1	Retaining ring DIN471-10x1	✓			
38057735002	1	Guide Rail 600er	✓			
57630420000	4	Countersunk screw DIN963 M4x8-A2-70	✓			
56806411000	4	Oval-head screw ISO14583 M4x6-A2-70-T20	✓			
56806411000	2	Oval-head screw ISO14583 M4x6-A2-70-T20	✓			
71004520000	1	Flat Cabel Holder 3484-1000	✓			
56806411000	4	Oval-head screw ISO14583 M4x6-A2-70-T20	✓			
38053948002	1	Flange	✓			
38060163002	1	Sealing	✓		✓	
57629520000	5	Countersunk screw DIN963 M5x10-A2-70	✓			
38061585002	1	sealing	✓		✓	
60540268301	1	guide shaft	✓			
57630620000	1	Countersunk screw DIN963 M6x12-A2-70	✓			
38100136001	1	Flat Seal Carriage Plate 600	✓		✓	
38057723003	1	Cover 378x119,1x2	✓			
38057740001	1	Seal long	✓		✓	
56972480000	11	Mushroom head screw M4x8-A2-70 Tuflok	✓			
50003410000	2	Wiper ring 30x20x7	✓			
56368320002	1	Angular bearing double-row 15x35x15,9	✓			
56366420002	1	Self-Aligning Ball Bearing 2202	✓			

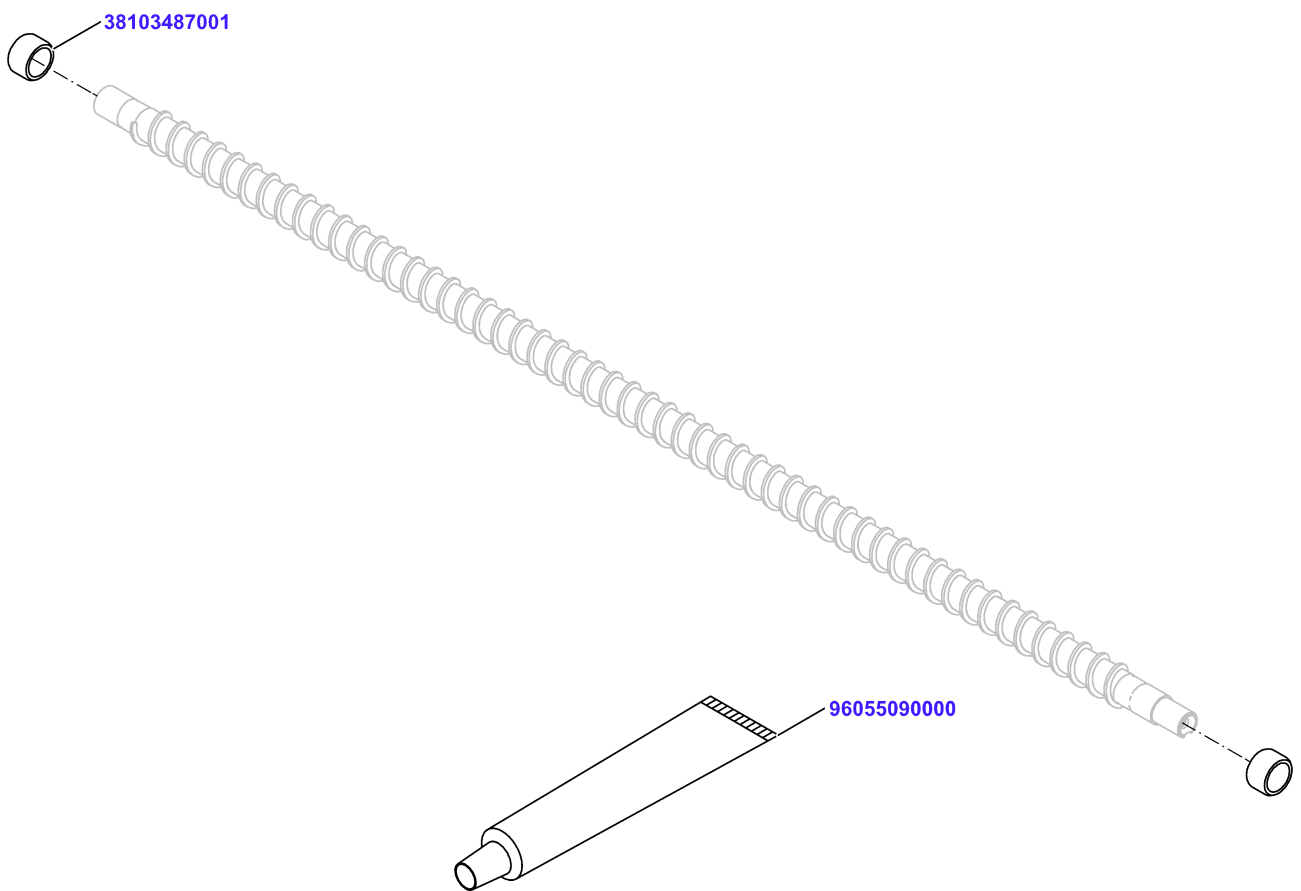
# Carriage 600 premounted



# Carriage 600 premounted

Material No.	Qty	Material description	available for order	Wear part	Recomm. sp. part	Metr. relevance
<a href="#">38082477002</a>	1	Carriage Carrier 600 machined	✓			
<a href="#">56453180000</a>	2	Threaded insert M6x9	✓			
<a href="#">96055080000</a>	0,001	Kluebersynth UH1 64-62/25kg	✓			
<a href="#">56806411000</a>	5	Oval-head screw ISO14583 M4x6-A2-70-T20	✓			
<a href="#">95972950002</a>	0,005	Loctite 243 50 ml	✓			
<a href="#">38053945001</a>	1	Board	✓			
<a href="#">38063261002</a>	1	Sensor product feeding 1 VSI	✓			
<a href="#">56806411000</a>	4	Oval-head screw ISO14583 M4x6-A2-70-T20	✓			
<a href="#">56739040000</a>	2	Washer DIN125-A 4.3-A2-70	✓			
<a href="#">38011230000</a>	1	Board cpl	✓			
<a href="#">38063262003</a>	1	Sensor product feeding 2 VSI	✓			
<a href="#">56806411000</a>	2	Oval-head screw ISO14583 M4x6-A2-70-T20	✓			
<a href="#">38070080000</a>	1	Washer	✓		✓	
<a href="#">38070090000</a>	1	Sealing	✓		✓	
<a href="#">57430200000</a>	1	Hexagon screw DIN933 M5x20 A2-70	✓			
<a href="#">65016000133</a>	1	Washer 5-PA	✓			
<a href="#">38097519000</a>	1	Sleeve 18 x 10 x 24.25	✓			
<a href="#">95972870002</a>	0,001	Loctite 638	✓			
<a href="#">38086126000</a>	1	Motor Product Feeding BG42x15 cpl	✓			
<a href="#">57431120000</a>	2	Hexagon screw DIN933 M6x12 A2-70	✓			
<a href="#">60897500157</a>	1	PCBAP MC 3ph 2ch lv bus	✓			
<a href="#">71400960000</a>	1	Short Circuit Bracket 3131 731000406	✓		✓	
<a href="#">57758610000</a>	4	Toothed washer DIN6797-A 4,3-Fst	✓			
<a href="#">38073996000</a>	4	Distance bolt SW7x6 M4-M4 In-Out	✓			
<a href="#">56806411000</a>	4	Oval-head screw ISO14583 M4x6-A2-70-T20	✓			
<a href="#">38072057000</a>	4	Washer DIN125-A-4-PA6	✓			
<a href="#">38057548001</a>	1	Seal	✓		✓	

## Feedspindle 721xTR20X12 ass.

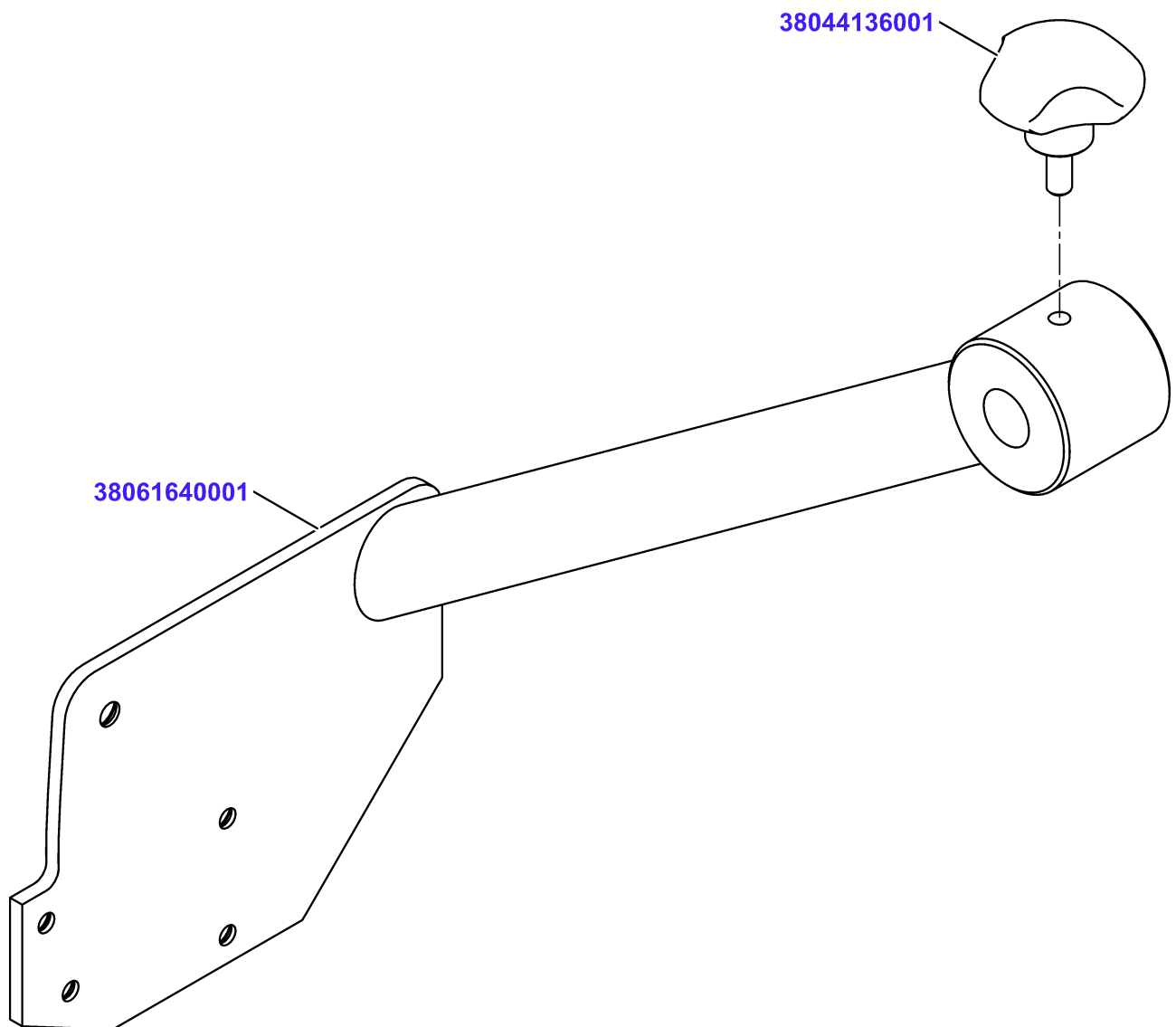


# Feedspindle 721xTR20X12 ass.

Material No.	Qty	Material description
<a href="#">38103487001</a>	2	Ring 12x20x15H7
<a href="#">96055090000</a>	0,002	Assembly-paste Rivolta F.L.A. 100 ml

available for order
Wear part
Recomm. sp. part
Metr. relevance

# Product Supporter top NSF cpl

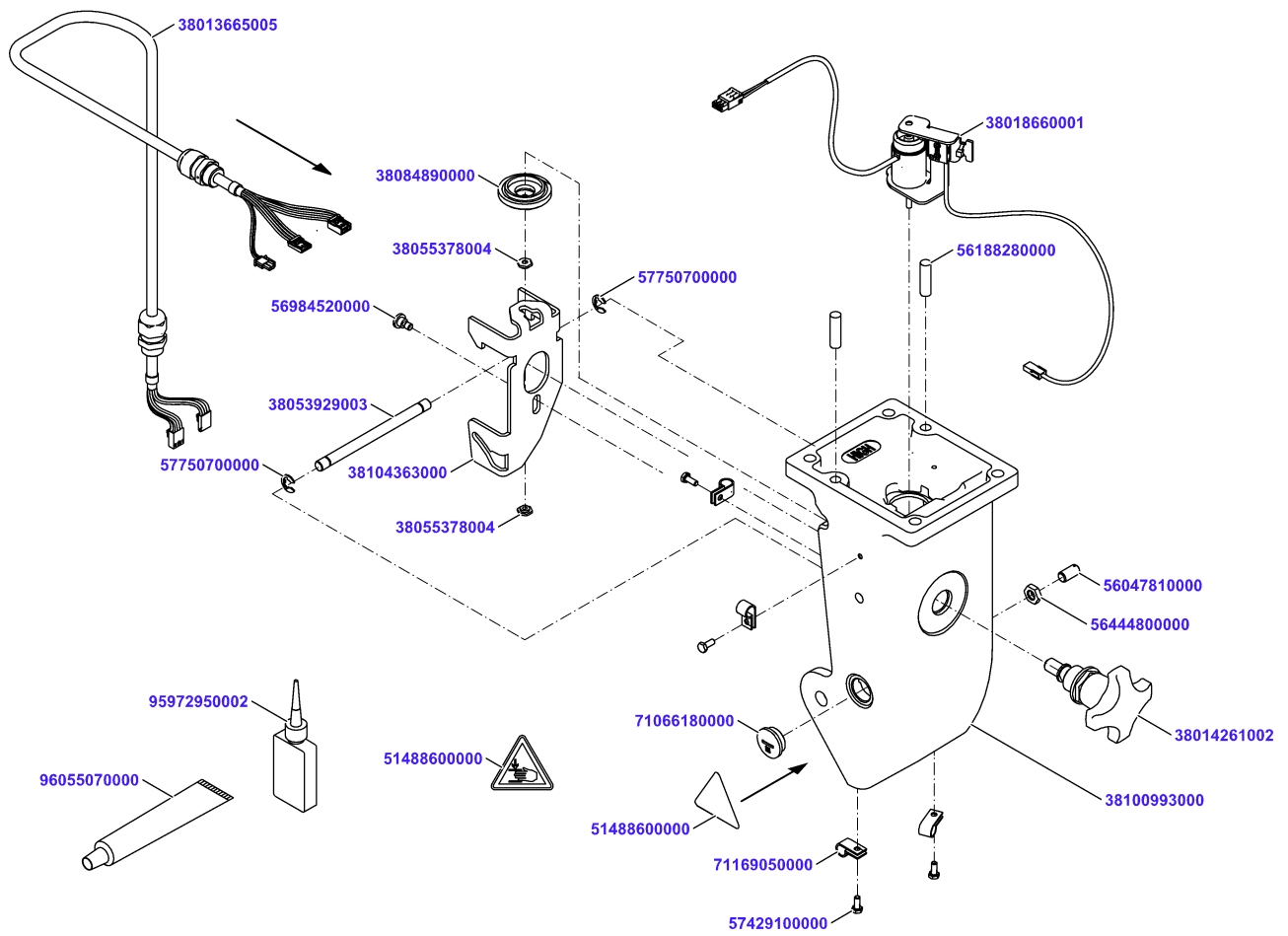


# Product Supporter top NSF cpl

Material No.	Qty	Material description
<a href="#">38061640001</a>	1	Mounting welded
<a href="#">38044136001</a>	1	Handle with screw M6 x 14,75

available for order
Wear part
Recomm. sp. part
Metr. relevance

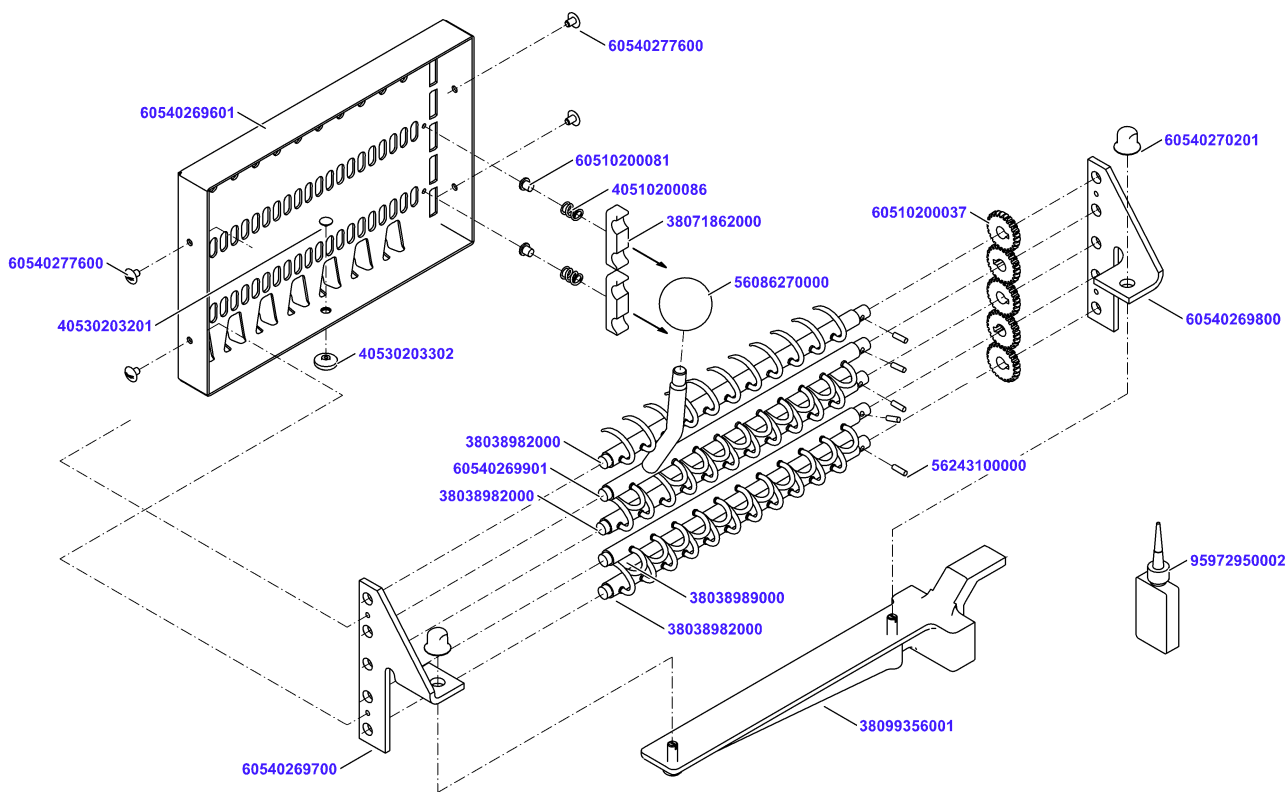
# Carriage Foot high cpl.



## Carriage Foot high cpl.

Material No.	Qty	Material description	available for order	Wear part	Recomm. sp. part	Metr. relevance
<a href="#">38100993000</a>	1	Carriage Foot high hygienic mach	✓			
<a href="#">56188280000</a>	2	Cylindrical pin EN 22338-8m6x28-A2	✓			
<a href="#">56047810000</a>	1	Set screw DIN551 M8x16-PA 66	✓			
<a href="#">56444800000</a>	1	Hexagon nut DIN439-M8-A2	✓			
<a href="#">38018660001</a>	1	Magnet preass	✓	✓		
<a href="#">38084890000</a>	1	Cap preass	✓			
<a href="#">38055378004</a>	2	Hexagon nut	✓			
<a href="#">95972950002</a>	0,001	Loctite 243 50 ml	✓			
<a href="#">38104363000</a>	1	Interlock	✓			
<a href="#">96055070000</a>	0,001	Grease PARALIQ GA 343	✓			
<a href="#">56984520000</a>	1	Pan head screw DIN923 M5x4A2-70	✓			
<a href="#">71066180000</a>	1	Blind plug BLK- M20	✓			
<a href="#">38014261002</a>	1	Handle preass.	✓			
<a href="#">38053929003</a>	1	Stop Bolt	✓			
<a href="#">57750700000</a>	2	Retaining washer DIN6799-7	✓			
<a href="#">71169050000</a>	4	Cable Clamp nylon 7,4mm NK-5N	✓			
<a href="#">38013665005</a>	1	Ka Rd 12x24AWG 0,87m	✓			
<a href="#">57429100000</a>	4	Hexagon screw DIN933 M4x10 A2-70	✓			
<a href="#">51488600000</a>	1	Warning Plate Hand Injury 7.29K	✓			

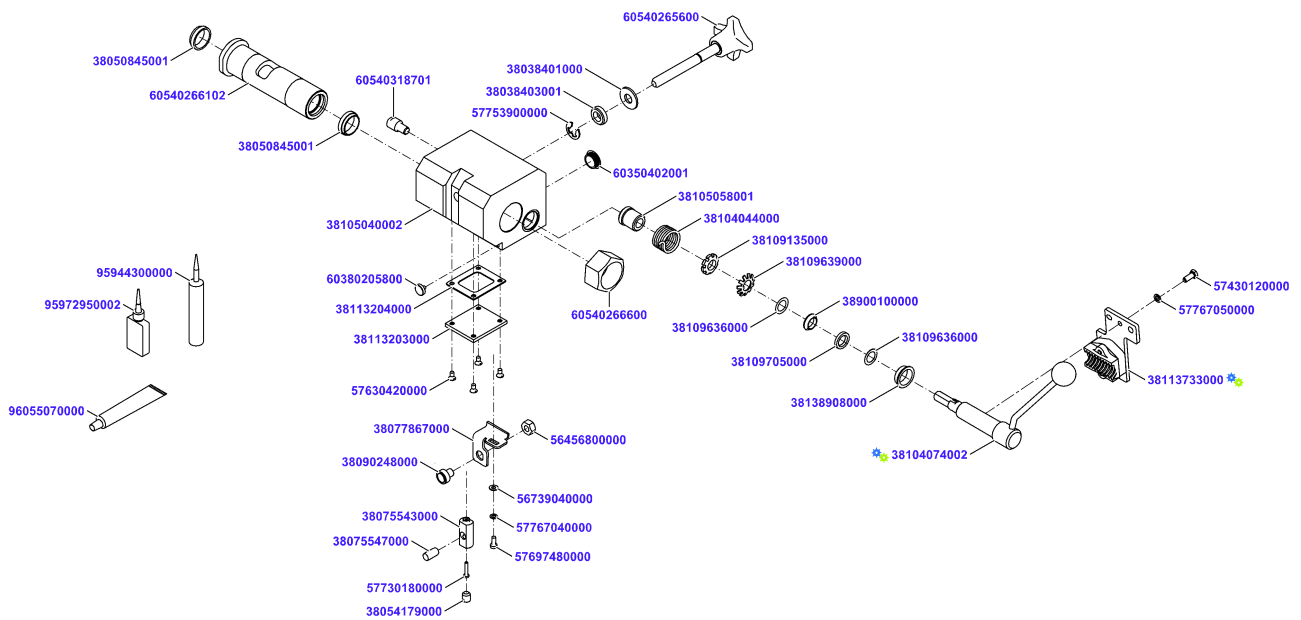
# Product Holder cpl. VSI



## Product Holder cpl. VSI

Material No.	Qty	Material description	available for order	Wear part	Recomm. sp. part	Metr. relevance
60540269601	1	product holder	✓			
60510200081	2	collar stud	✓			
60540269700	1	Side frame left	✓			
60540269800	1	Side frame right	✓			
38038982000	3	Gripper Shaft cpl.	✓			
38038989000	1	Gripper Shaft cpl.	✓			
60540269901	1	Gripper Shaft cpl	✓			
56086270000	1	Ball knob DIN319 M8x32 I	✓			
56243100000	5	Cylindrical pin EN 22338-3h11x10-A2	✓			
60510200037	5	Pinion	✓			
40510200086	2	Pressure spring	✓			
38071862000	2	brake pad	✓			
60540277600	4	self-tapping screw	✓			
38099356001	1	Holder preass.	✓			
60540270201	2	Cap nut M6	✓		✓	
95972950002	0,001	Loctite 243 50 ml	✓			
40530203201	1	push button	✓			
40530203302	1	sliding piece	✓		✓	

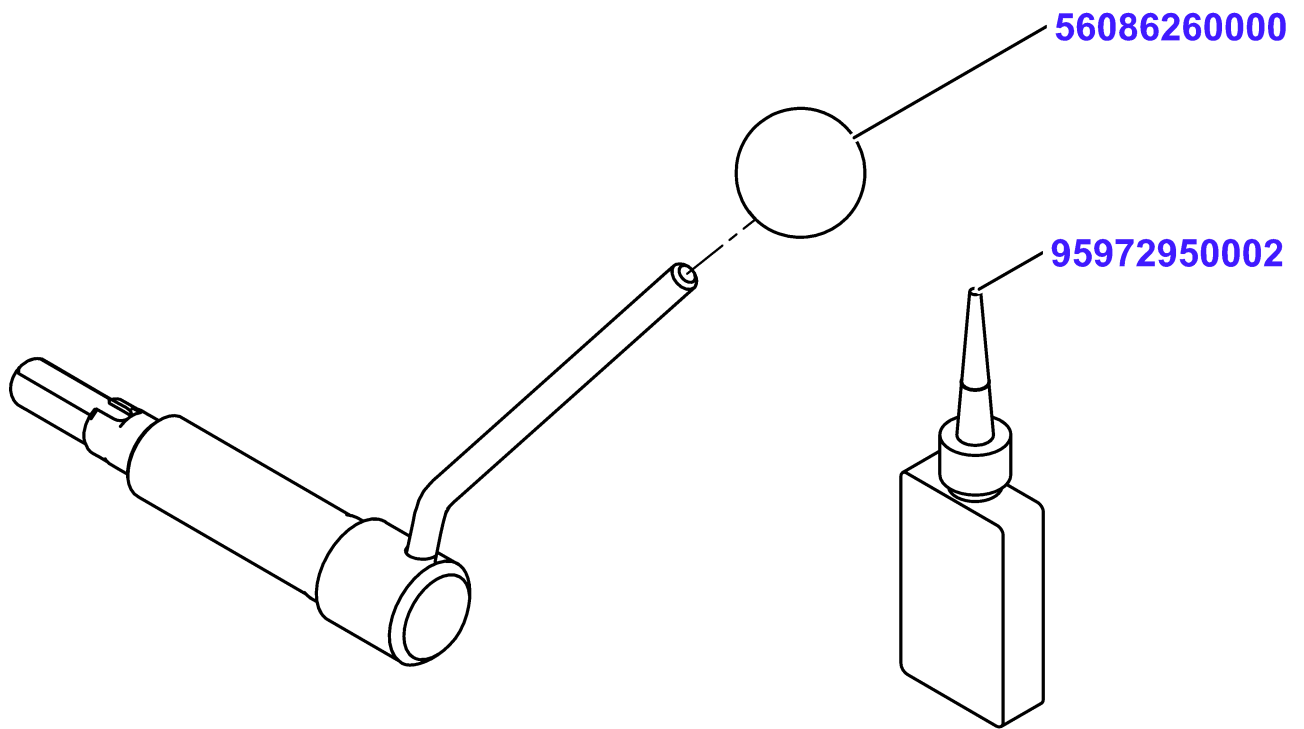
# Product Holder Guide NSF cpl



# Product Holder Guide NSF cpl

Material No.	Qty	Material description	available for order	Wear part	Recomm. sp. part	Metr. relevance
38105040002	1	Product Holder Guide NSF				
60540265600	1	locking lever mount.				
38038401000	1	washer				
38038403001	1	Bushing 19,1x10,7x5				
57753900000	1	Retaining washer DIN6799-9				
60540266102	1	Bushing complete				
38050845001	2	Deflector ring 25x20,2x7				
60540266600	1	hex nut				
38109705000	1	Shaft seal 12x18x3				
38109636000	1	Shim ring DIN988-12x18x0,2				
38104074002	1	Bolt NSF cpl				
38109636000	1	Shim ring DIN988-12x18x0,2				
38109639000	1	Safety plate DIN5406-MB1				
38109135000	1	Grooved nut M12 x 0.5				
38105058001	1	Bushing 19,5/18x10,2x21				
38104044000	1	Torsion spring left				
96055070000	0,005	Grease PARALIQ GA 343				
38113733000	1	Holder preassembled				
57767050000	1	Spring lock washer DIN128-A5-FSt				
57430120000	1	Hexagon screw DIN933 M5x12 A2-70				
60350402001	1	Protective plug				
95944300000	0,005	Kitchen silicone ELASTO4710				
38113203000	1	cover				
38113204000	1	Seal 47x40x1				
57630420000	4	Countersunk screw DIN963 M4x8-A2-70				
38077867000	1	Magnet Base				
38090248000	1	Magnet Vacodym 370 wz round 10x4 preass				
56456800000	1	Hexagon nut DIN934-M8-A2				
57697480000	1	Cylinder screw DIN84 M4x10-A2-70				
56739040000	1	Washer DIN125-A 4.3-A2-70				
57767040000	1	Spring lock washer DIN128-A4-FSt				
38075543000	1	Mounting Pin				
57730180000	1	Oval-head screw ISO14583 M3x16-A2-70-T10				
38075547000	1	Parallel Pin 8x15				
38054179000	1	Set screw DIN438 M8x10-A2-70				
60380205800	1	SLIDE PIN				
60540318701	1	stop pin				
95972950002	0,001	Loctite 243 50 ml				
38900100000	1	Plain bearing w. flange 12x18x14x4				
38138908000	1	Plain bearing w. flange 18x24x20x7				

# Bolt NSF cpl

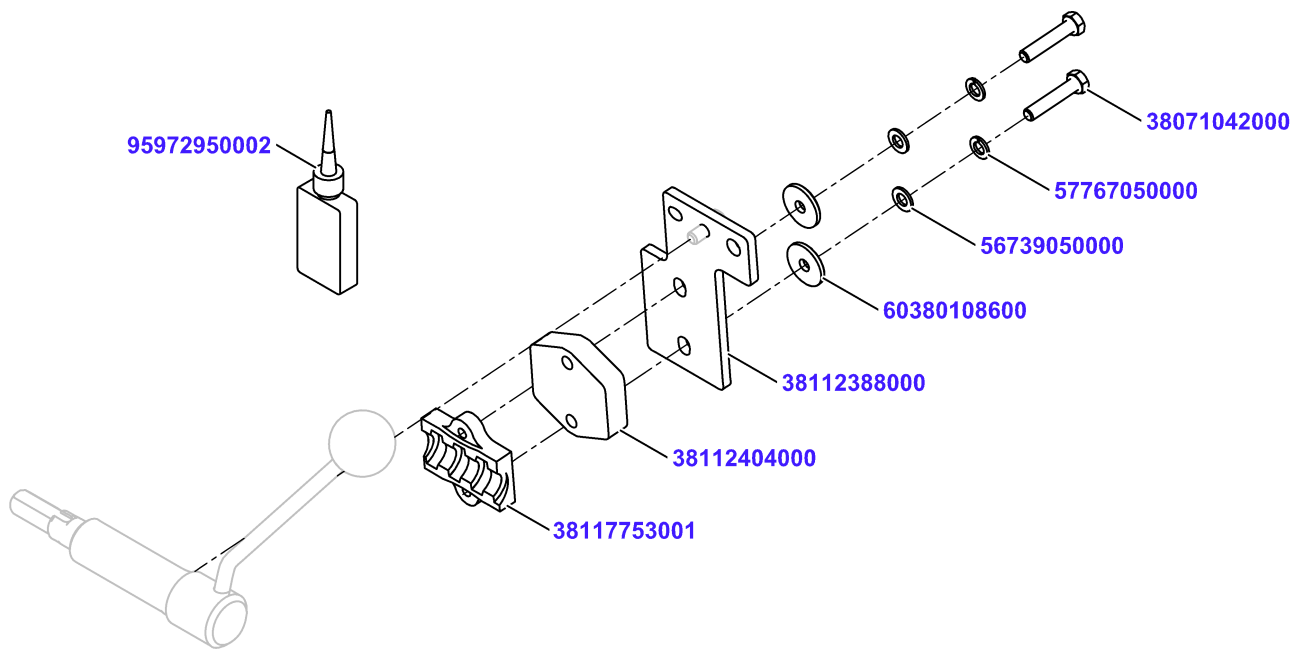


# Bolt NSF cpl

Material No.	Qty	Material description
<a href="#">56086260000</a>	1	Ball knob DIN319 M6x25 I
<a href="#">95972950002</a>	0,001	Loctite 243 50 ml

available for order
Wear part
Recomm. sp. part
Metr. relevance

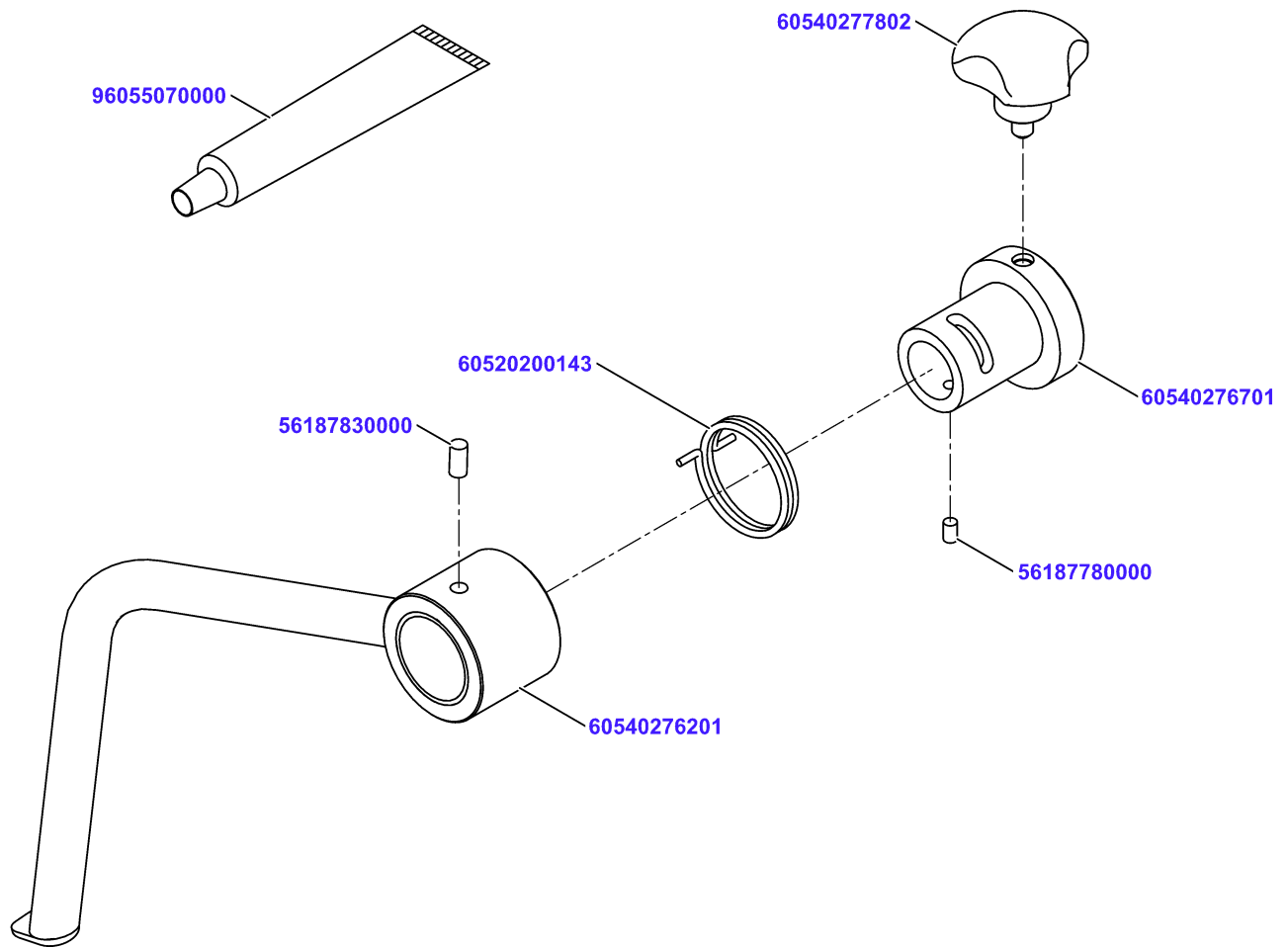
# Holder preassembled



## Holder preassembled

Material No.	Qty	Material description	available for order	Wear part	Recomm. sp. part	Metr. relevance
<a href="#">38112388000</a>	1	Holder				
<a href="#">38112404000</a>	1	Spacer plate 40x40x10				
<a href="#">38117753001</a>	1	Nut Plate TR20X12P4				
<a href="#">38071042000</a>	2	Hexagon screw DIN933 M5x25 A2-70				
<a href="#">60380108600</a>	2	Washer				
<a href="#">56739050000</a>	2	Washer DIN125-A-5-A2				
<a href="#">57767050000</a>	2	Spring lock washer DIN128-A5-FSt				
<a href="#">95972950002</a>	0,001	Loctite 243 50 ml				

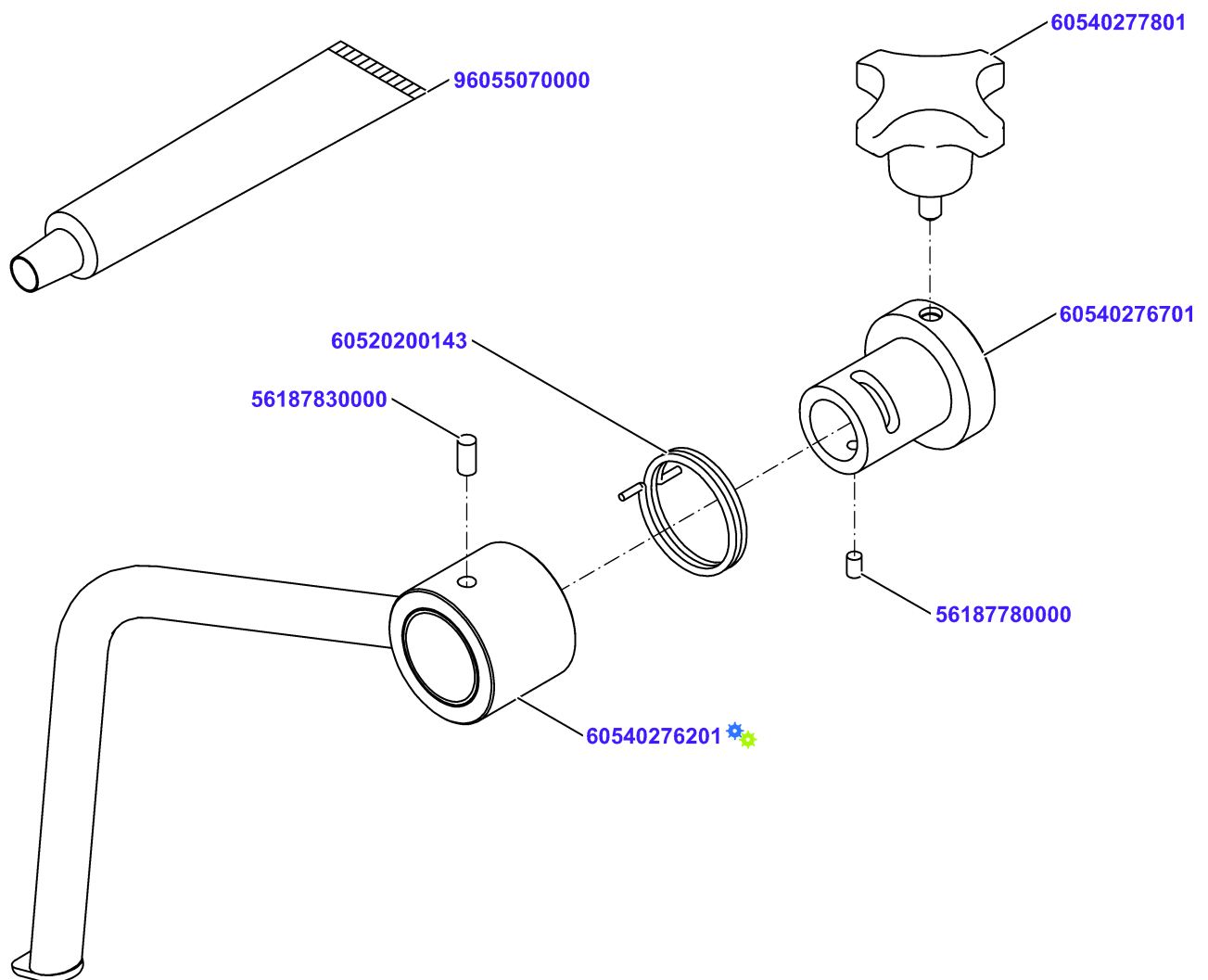
# Holding Down Device ass.



## Holding Down Device ass.

Material No.	Qty	Material description	available for order	Wear part	Recomm. sp. part	Metr. relevance
<a href="#">60540276201</a>	1	Holding Down Device preass.				
<a href="#">56187830000</a>	1	Cylindrical pin EN 22338-5m6x10-A2				
<a href="#">60540276701</a>	1	hub				
<a href="#">60540277802</a>	1	Handle with screw M6 x 13,55				
<a href="#">56187780000</a>	1	Cylindrical pin EN 22338-4m6x6-A2				
<a href="#">60520200143</a>	1	torsion spring				
<a href="#">96055070000</a>	0,005	Grease PARALIQ GA 343				

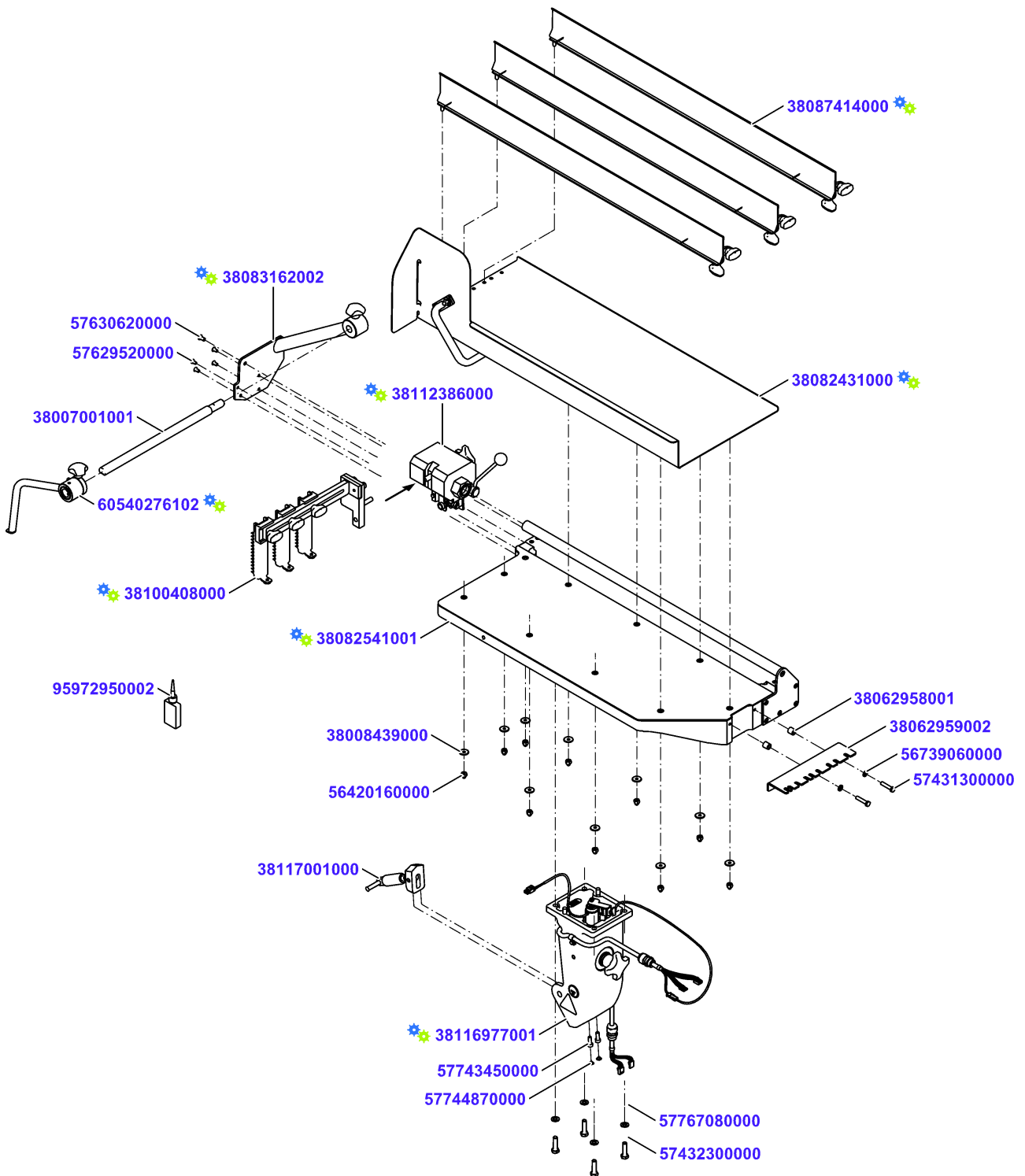
## Holding Down Device ass.



# Holding Down Device ass.

Material No.	Qty	Material description	available for order	Wear part	Recomm. sp. part	Metr. relevance
<a href="#">60540276201</a>	1	Holding Down Device preass.				
<a href="#">56187830000</a>	1	Cylindrical pin EN 22338-5m6x10-A2				
<a href="#">60540276701</a>	1	hub				
<a href="#">56187780000</a>	1	Cylindrical pin EN 22338-4m6x6-A2				
<a href="#">60520200143</a>	1	torsion spring				
<a href="#">96055070000</a>	0,005	Grease PARALIQ GA 343				

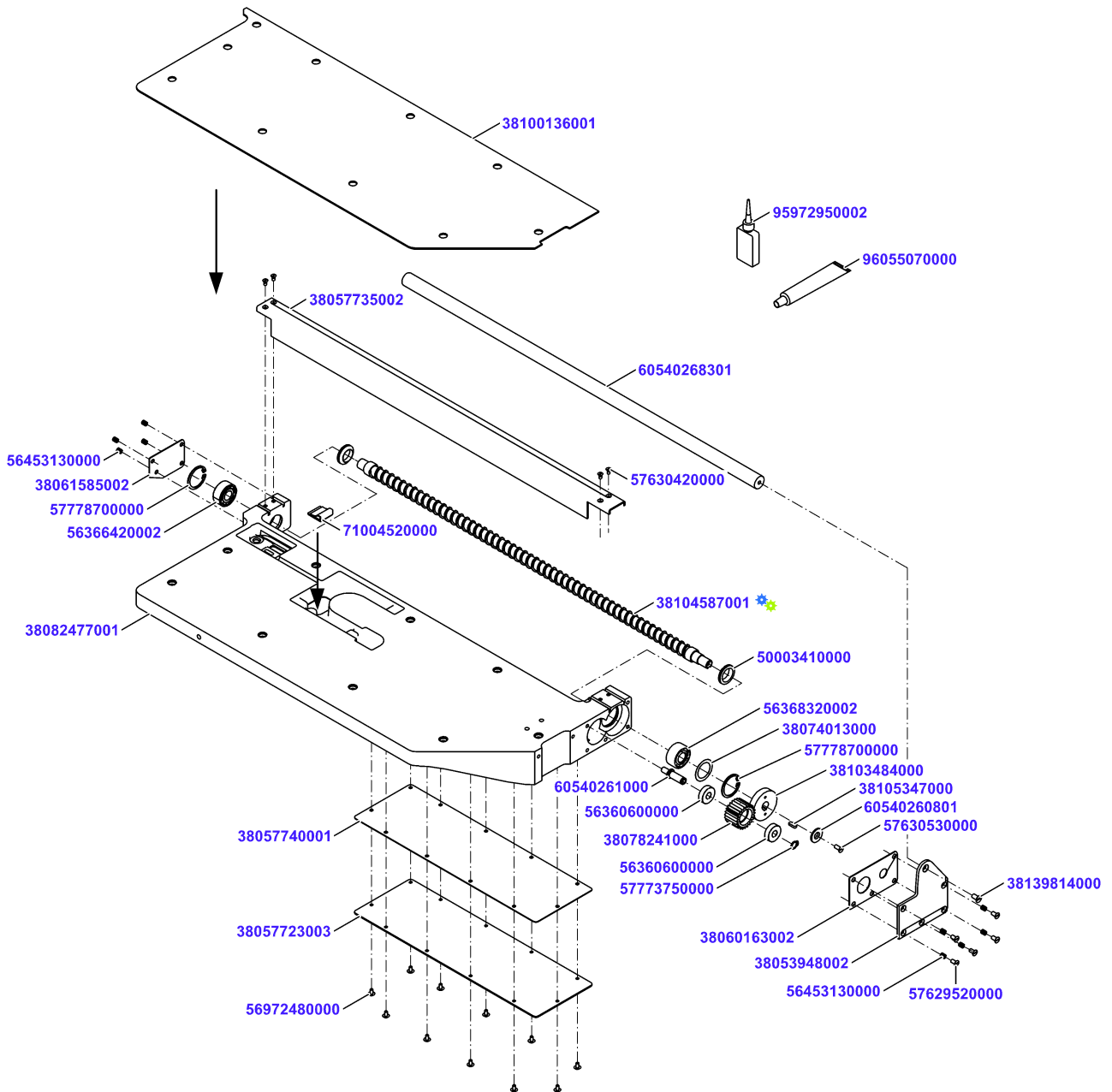
# Carriage 600 template



# Carriage 600 template

Material No.	Qty	Material description	available for order	Wear part	Recomm. sp. part	Metr. relevance
38082541001	1	Carriage 600 cpl.				
38082431000	1	Carriage Plate Template preass	✓			
56420160000	10	Cap nut DIN986-M6-A2	✓			
38008439000	10	Sealing washer M6	✓		✓	
38083162002	1	Product Supporter top NSF cpl				
57629520000	4	Countersunk screw DIN963 M5x10-A2-70	✓			
95972950002	0,001	Loctite 243 50 ml	✓			
57630620000	1	Countersunk screw DIN963 M6x12-A2-70	✓			
38116977001	1	Carriage Foot high cpl.				
57432300000	4	Hexagon screw DIN933 M8x30 A2-70	✓			
57767080000	4	Spring lock washer DIN128-A8-A2	✓			
38117001000	1	Gas pressure spring carriage 600 cpl	✓		✓	
57743450000	2	Cylinder screw DIN912 M6x16-A2-70	✓			
57744870000	2	Protective plug 10x5,2x3,1-PE	✓		✓	
38087414000	3	metal sheet insert cpl mach	✓			
38062959002	1	Angle	✓			
38062958001	2	Spacer	✓			
57431300000	2	Hexagon screw DIN933 M6x30 A2-70	✓			
56739060000	2	Washer DIN125-A-6-A2	✓			
38007001001	1	Axis 18x342	✓			
60540276102	1	Holding Down Device ass.	✓			
38100408000	1	Product Holder cpl. Carriage guide ruler	✓			
38112386000	1	Product Holder Guide NSF cpl	✓			

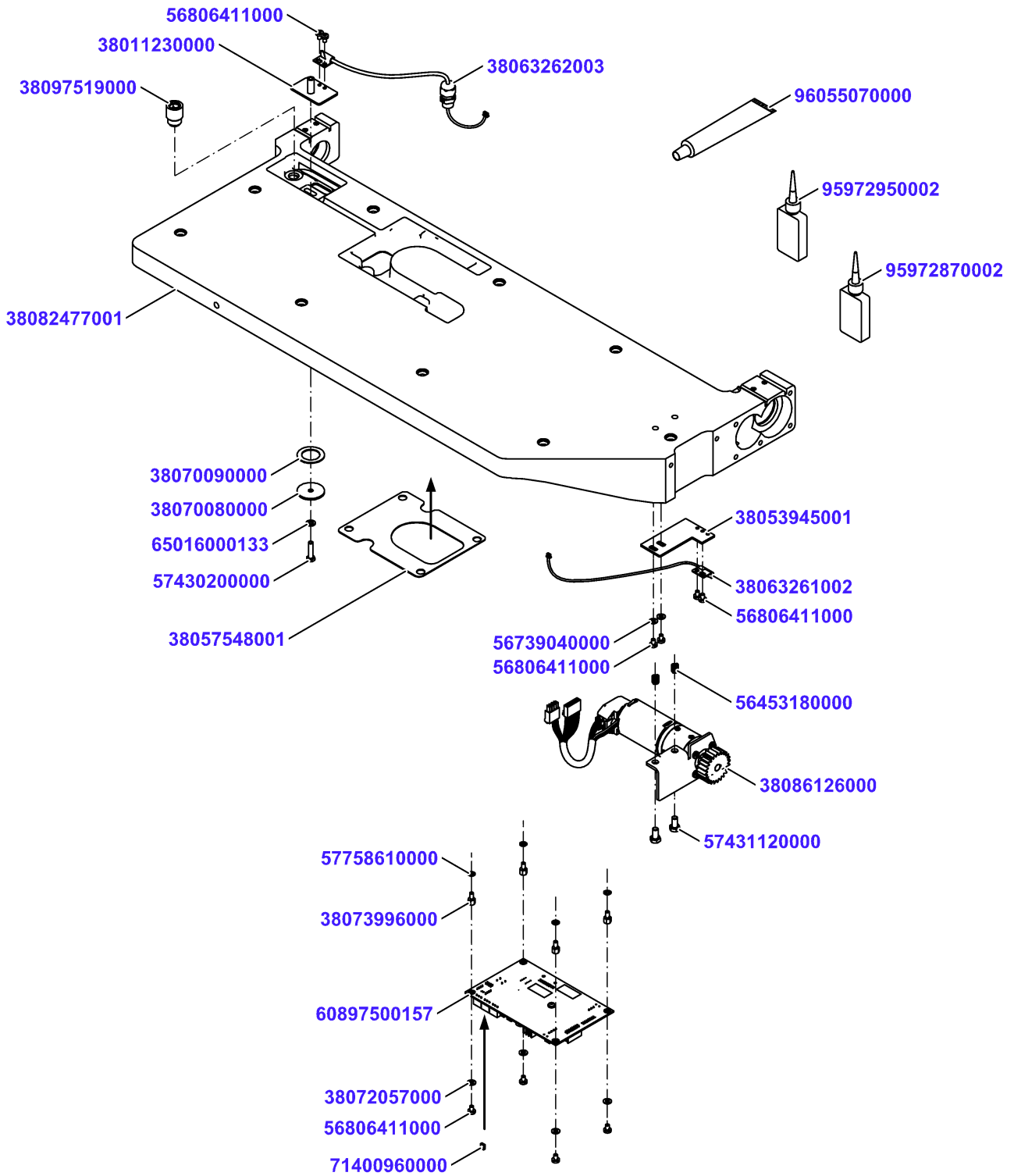
# Carriage 600 cpl.



# Carriage 600 cpl.

Material No.	Qty	Material description	available for order	Wear part	Recomm. sp. part	Metr. relevance
38082477001	1	Carriage 600 cast machined	✓			
56453130000	9	Thread insert M5x7,5-A2	✓			
56366420002	1	Self-Aligning Ball Bearing 2202	✓			
57778700000	1	Retaining ring DIN472-35x1,5	✓			
50003410000	1	Wiper ring 30x20x7	✓			
38104587001	1	Feedspindle 721xTR20X12 ass.	✓			
50003410000	1	Wiper ring 30x20x7	✓			
56368320002	1	Angular bearing double-row 15x35x15,9	✓			
57778700000	1	Retaining ring DIN472-35x1,5	✓			
38074013000	1	Shim ring DIN988-25x35x0,1	✓			
38103484000	1	Gear Wheel	✓			
96055070000	0,001	Grease PARALIQ GA 343	✓			
38105347000	1	Parallel key DIN6885-A 5x3x14	✓			
60540260801	1	Washer	✓			
57630530000	1	Countersunk screw DIN963 M5x12-A2-70	✓			
95972950002	0,001	Loctite 243 50 ml	✓			
60540261000	1	bolt	✓			
38078241000	1	Gear Wheel	✓			
56360600000	2	Grooved ball bearing DIN625 10x26x8	✓			
57773750000	1	Retaining ring DIN471-10x1	✓			
38057735002	1	Guide Rail 600er	✓			
57630420000	4	Countersunk screw DIN963 M4x8-A2-70	✓			
71004520000	1	Flat Cabel Holder 3484-1000	✓			
38053948002	1	Flange	✓			
38060163002	1	Sealing	✓		✓	
57629520000	5	Countersunk screw DIN963 M5x10-A2-70	✓			
38061585002	1	sealing	✓		✓	
60540268301	1	guide shaft	✓			
38139814000	1	Screw DIN963 M6x12-A2 - Precote 80-8	✓		✓	
38100136001	1	Flat Seal Carriage Plate 600	✓		✓	
38057723003	1	Cover 378x119,1x2	✓			
38057740001	1	Seal long	✓		✓	
56972480000	11	Mushroom head screw M4x8-A2-70 Tuflok	✓			

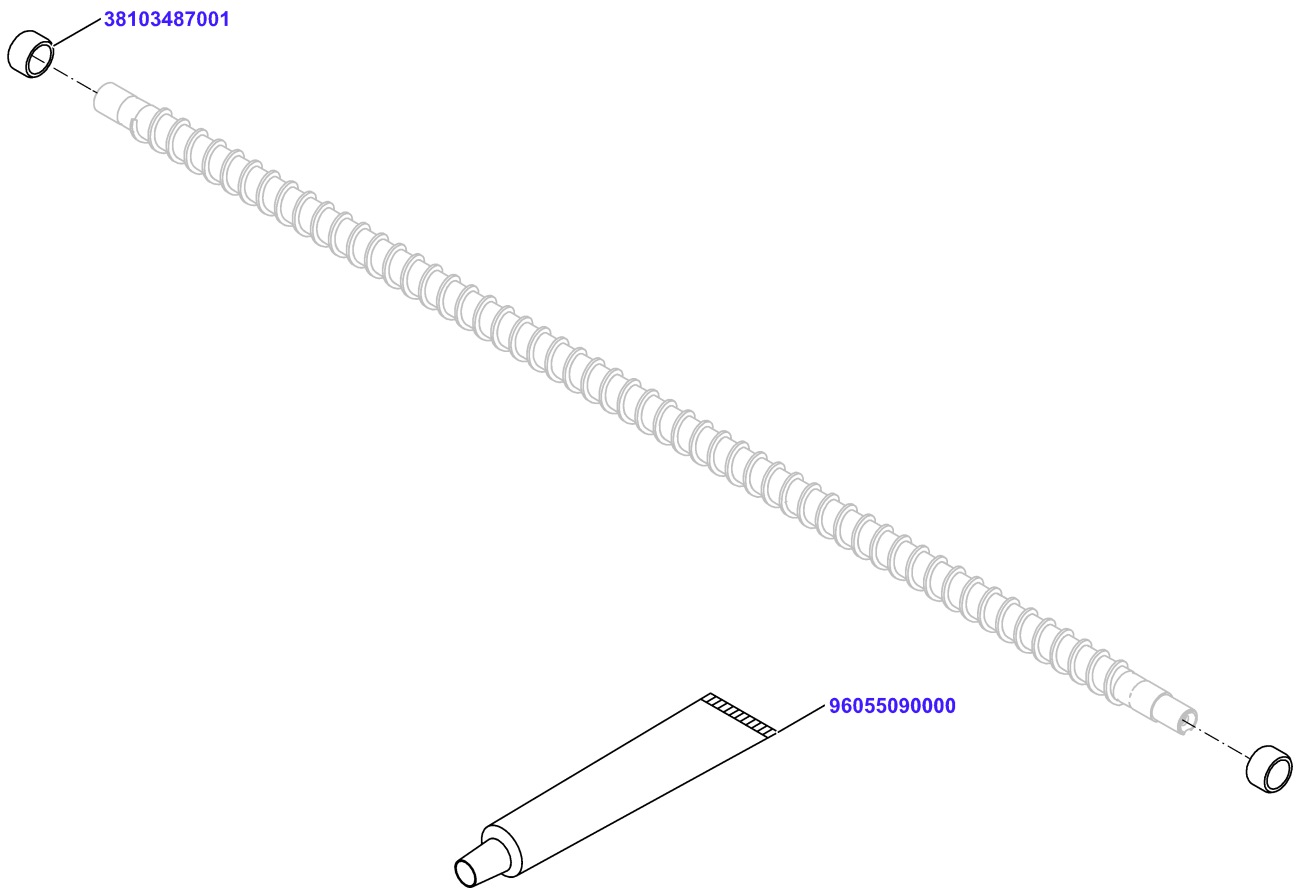
# Carriage 600 cpl.



# Carriage 600 cpl.

Material No.	Qty	Material description	available for order	Wear part	Recomm. sp. part	Metr. relevance
38082477001	1	Carriage 600 cast machined	✓			
56453180000	2	Threaded insert M6x9	✓			
96055070000	0,001	Grease PARALIQ GA 343	✓			
95972950002	0,001	Loctite 243 50 ml	✓			
38053945001	1	Board	✓			
38063261002	1	Sensor product feeding 1 VSI	✓			
56806411000	4	Oval-head screw ISO14583 M4x6-A2-70-T20	✓			
56739040000	2	Washer DIN125-A 4.3-A2-70	✓			
38011230000	1	Board cpl	✓			
38063262003	1	Sensor product feeding 2 VSI	✓			
56806411000	2	Oval-head screw ISO14583 M4x6-A2-70-T20	✓			
38070080000	1	Washer	✓			
38070090000	1	Sealing	✓		✓	
57430200000	1	Hexagon screw DIN933 M5x20 A2-70	✓			
65016000133	1	Washer 5-PA	✓			
38097519000	1	Sleeve 18 x 10 x 24.25	✓			
95972870002	0,001	Loctite 638	✓			
38086126000	1	Motor Product Feeding BG42x15 cpl	✓			
57431120000	2	Hexagon screw DIN933 M6x12 A2-70	✓			
60897500157	1	PCBAP MC 3ph 2ch lv bus	✓			
71400960000	1	Short Circuit Bracket 3131 731000406	✓		✓	
57758610000	4	Toothed washer DIN6797-A 4,3-Fst	✓			
38073996000	4	Distance bolt SW7x6 M4-M4 In-Out	✓			
56806411000	4	Oval-head screw ISO14583 M4x6-A2-70-T20	✓			
38072057000	4	Washer DIN125-A-4-PA6	✓			
38057548001	1	Seal	✓		✓	

## Feedspindle 721xTR20X12 ass.

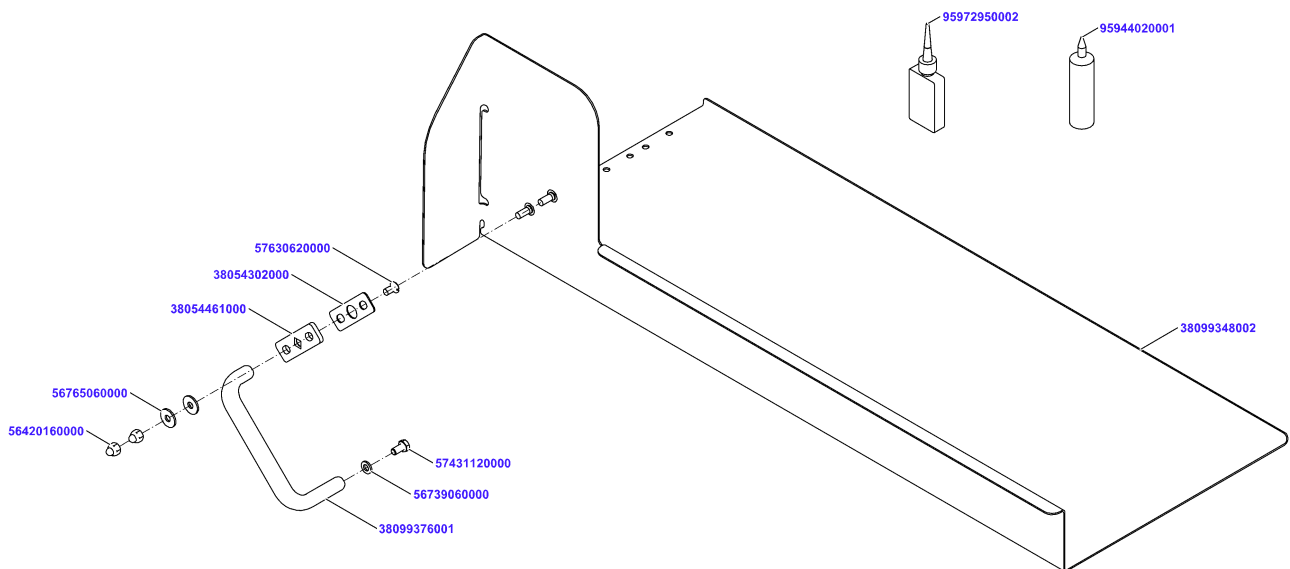


# Feedspindle 721xTR20X12 ass.

Material No.	Qty	Material description
<a href="#">38103487001</a>	2	Ring 12x20x15H7
<a href="#">96055090000</a>	0,002	Assembly-paste Rivolta F.L.A. 100 ml

available for order	Wear part	Recomm. sp. part	Metr. relevance

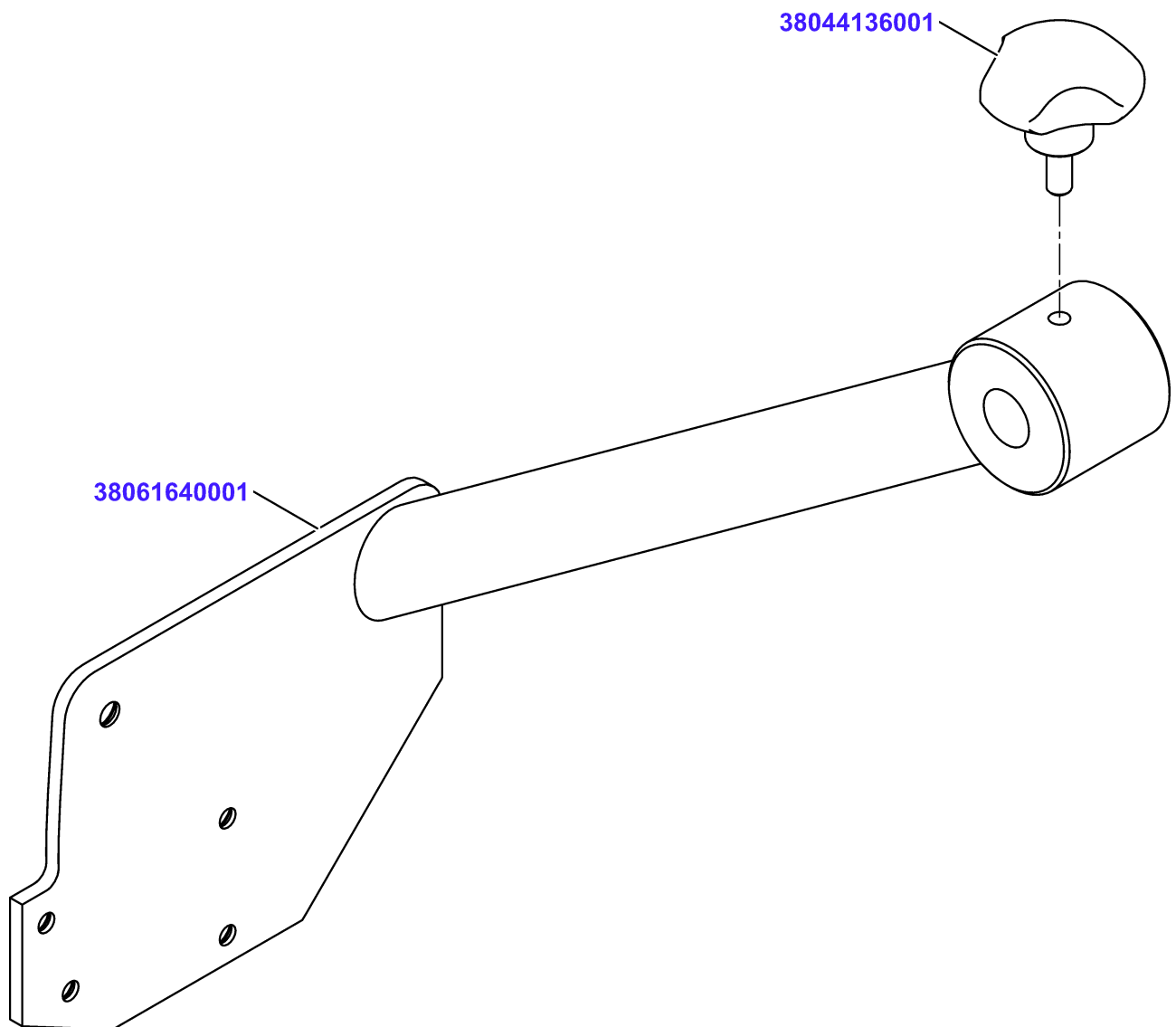
# Carriage Plate Template preass



# Carriage Plate Template preass

Material No.	Qty	Material description	available for order	Wear part	Recomm. sp. part	Metr. relevance
<a href="#">38099348002</a>	1	Carriage Plate welded	✓			
<a href="#">38099376001</a>	1	Handle	✓			
<a href="#">38054461000</a>	1	Plate	✓			
<a href="#">38054302000</a>	1	Gasket	✓		✓	
<a href="#">95944020001</a>	10	Silicone Rubber Elastosil E41 90ml	✓			
<a href="#">57630620000</a>	1	Countersunk screw DIN963 M6x12-A2-70	✓			
<a href="#">95972950002</a>	0,001	Loctite 243 50 ml	✓			
<a href="#">56420160000</a>	2	Cap nut DIN986-M6-A2	✓			
<a href="#">56765060000</a>	2	Washer DIN9021-6-A2	✓			
<a href="#">57431120000</a>	1	Hexagon screw DIN933 M6x12 A2-70	✓			
<a href="#">56739060000</a>	1	Washer DIN125-A-6-A2	✓			

# Product Supporter top NSF cpl

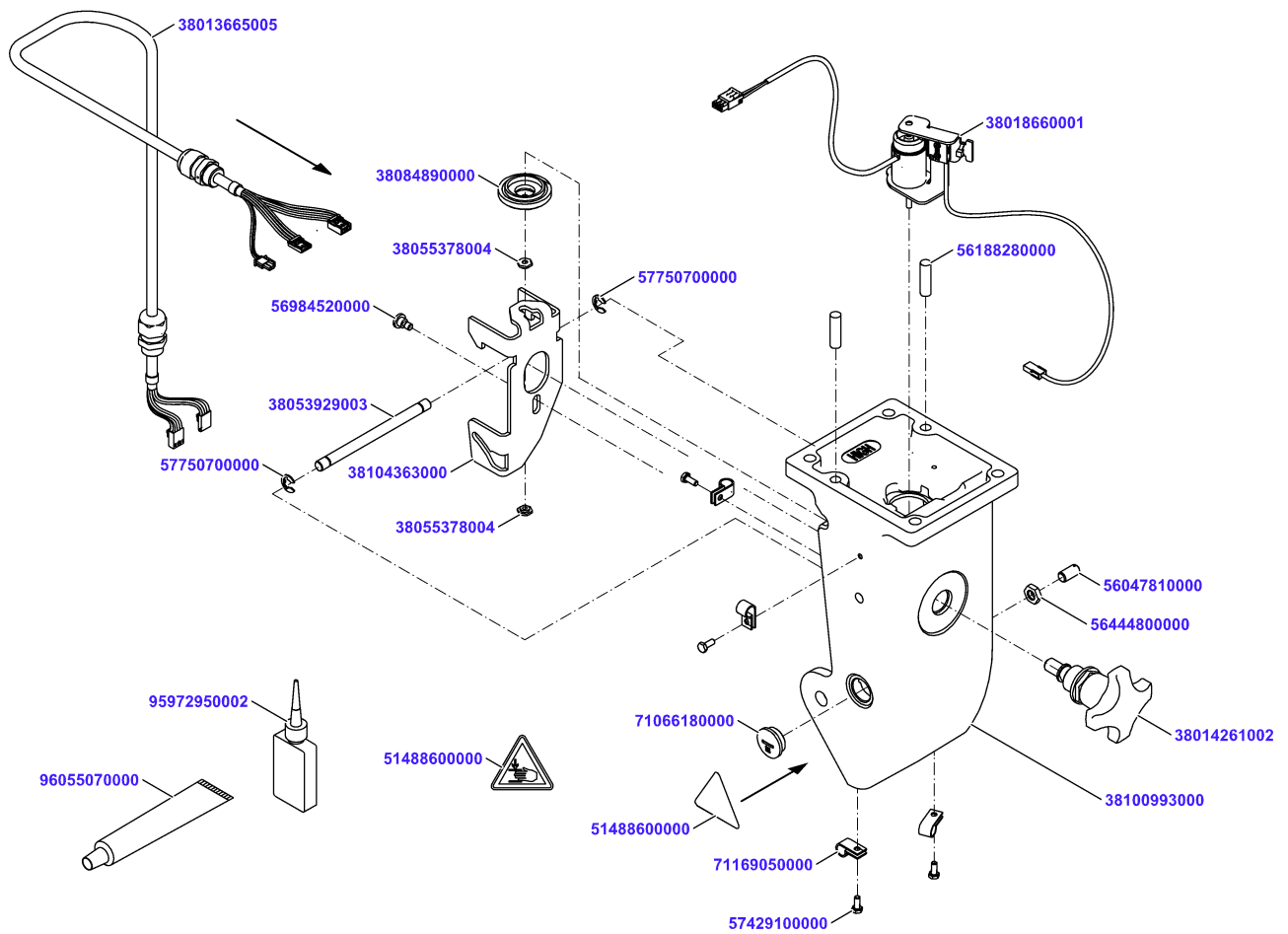


## Product Supporter top NSF cpl

Material No.	Qty	Material description
<a href="#">38061640001</a>	1	Mounting welded
<a href="#">38044136001</a>	1	Handle with screw M6 x 14,75

available for order
Wear part
Recomm. sp. part
Metr. relevance

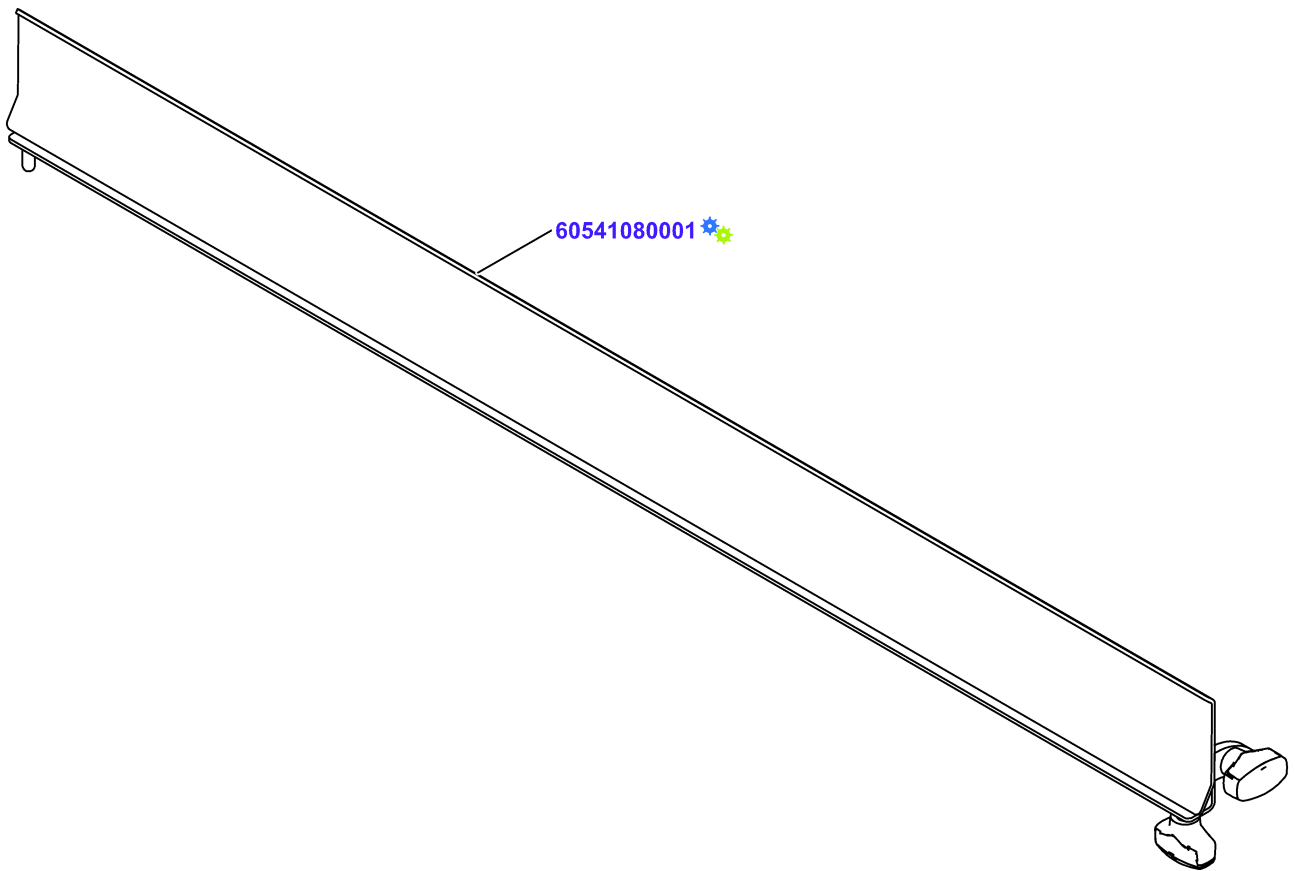
# Carriage Foot high cpl.



# Carriage Foot high cpl.

Material No.	Qty	Material description	available for order	Wear part	Recomm. sp. part	Metr. relevance
<a href="#">38100993000</a>	1	Carriage Foot high hygienic mach	✓			
<a href="#">56188280000</a>	2	Cylindrical pin EN 22338-8m6x28-A2	✓			
<a href="#">56047810000</a>	1	Set screw DIN551 M8x16-PA 66	✓			
<a href="#">56444800000</a>	1	Hexagon nut DIN439-M8-A2	✓			
<a href="#">38018660001</a>	1	Magnet preass	✓	✓		
<a href="#">38084890000</a>	1	Cap preass	✓			
<a href="#">38055378004</a>	2	Hexagon nut	✓			
<a href="#">95972950002</a>	0,001	Loctite 243 50 ml	✓			
<a href="#">38104363000</a>	1	Interlock	✓			
<a href="#">96055070000</a>	0,001	Grease PARALIQ GA 343	✓			
<a href="#">56984520000</a>	1	Pan head screw DIN923 M5x4A2-70	✓			
<a href="#">71066180000</a>	1	Blind plug BLK- M20	✓			
<a href="#">38014261002</a>	1	Handle preass.	✓			
<a href="#">38053929003</a>	1	Stop Bolt	✓			
<a href="#">57750700000</a>	2	Retaining washer DIN6799-7	✓			
<a href="#">71169050000</a>	4	Cable Clamp nylon 7,4mm NK-5N	✓			
<a href="#">38013665005</a>	1	Ka Rd 12x24AWG 0,87m	✓			
<a href="#">57429100000</a>	4	Hexagon screw DIN933 M4x10 A2-70	✓			
<a href="#">51488600000</a>	1	Warning Plate Hand Injury 7.29K	✓			

# metal sheet insert cpl mach

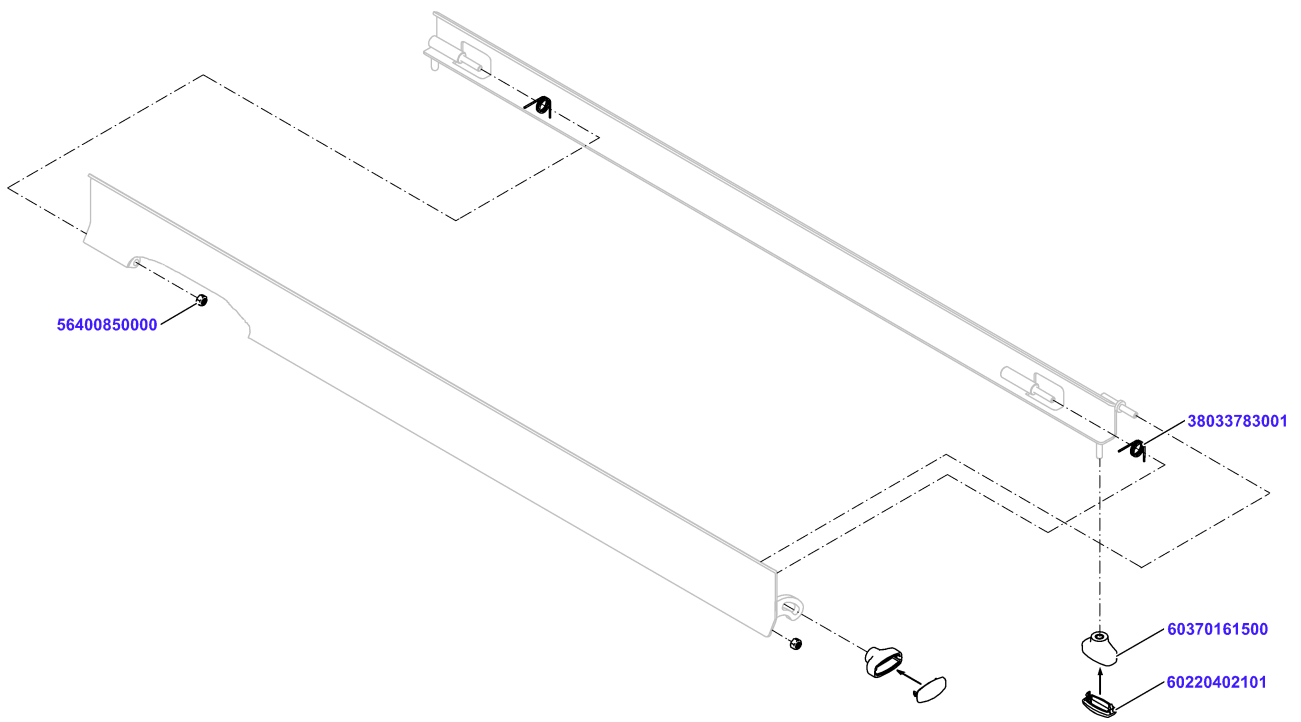


# metal sheet insert cpl mach

Material No.	Qty	Material description
<a href="#">60541080001</a>	1	Metal Sheet Insert cpl.





available for order	Wear part	Recomm. sp. part	Metr. relevance

# Metal Sheet Insert cpl.

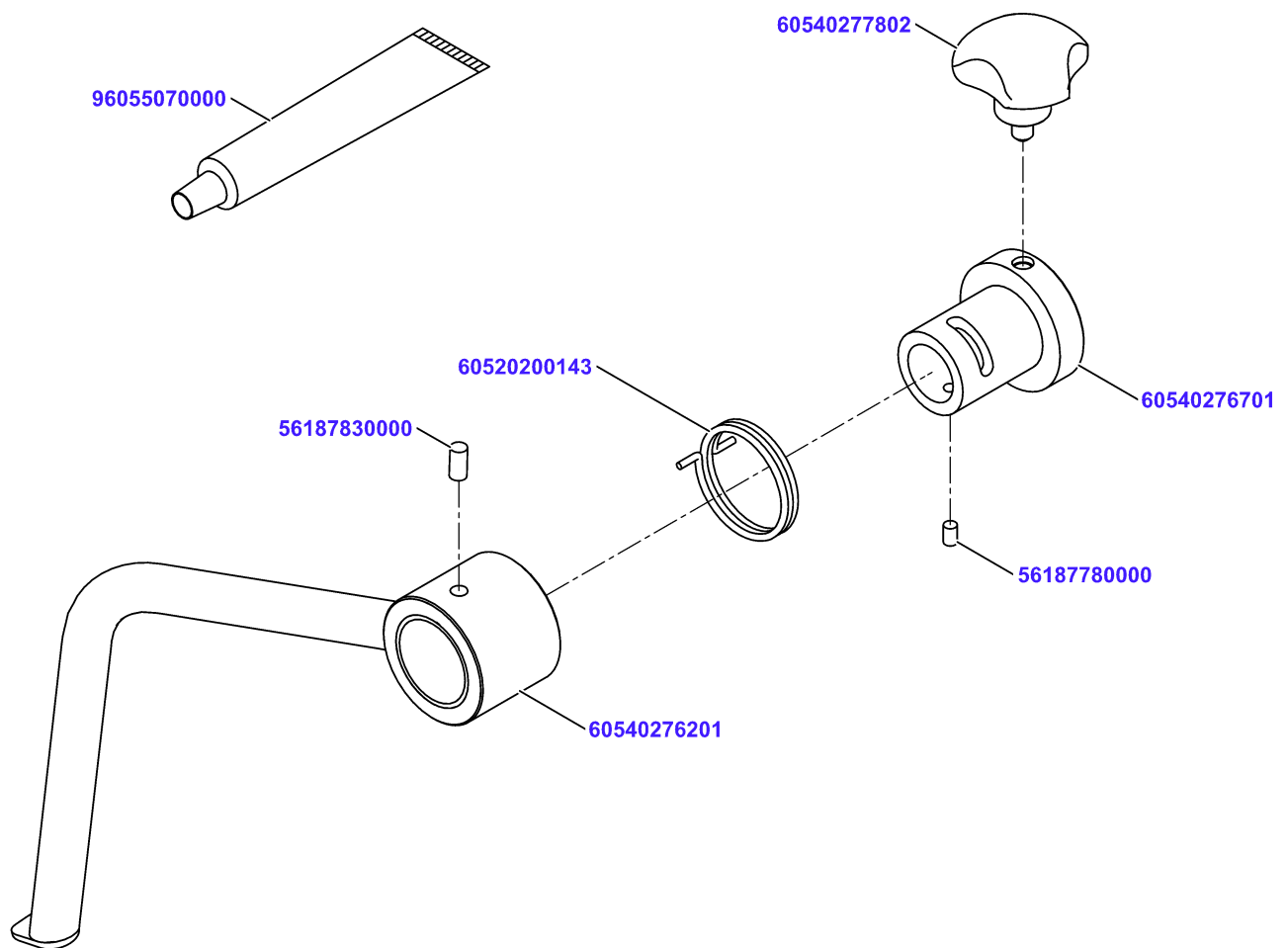


## Metal Sheet Insert cpl.








Material No.	Qty	Material description
<a href="#">56400850000</a>	2	Lock nut DIN985-M5-A2
<a href="#">60370161500</a>	2	Clamp handle small M 5
<a href="#">60220402101</a>	2	cover
<a href="#">38033783001</a>	2	Torsion Spring 13,4x5,1x1,2x15/20

available for order	Wear part	Recomm. sp. part	Metr. relevance
			
			
			
			

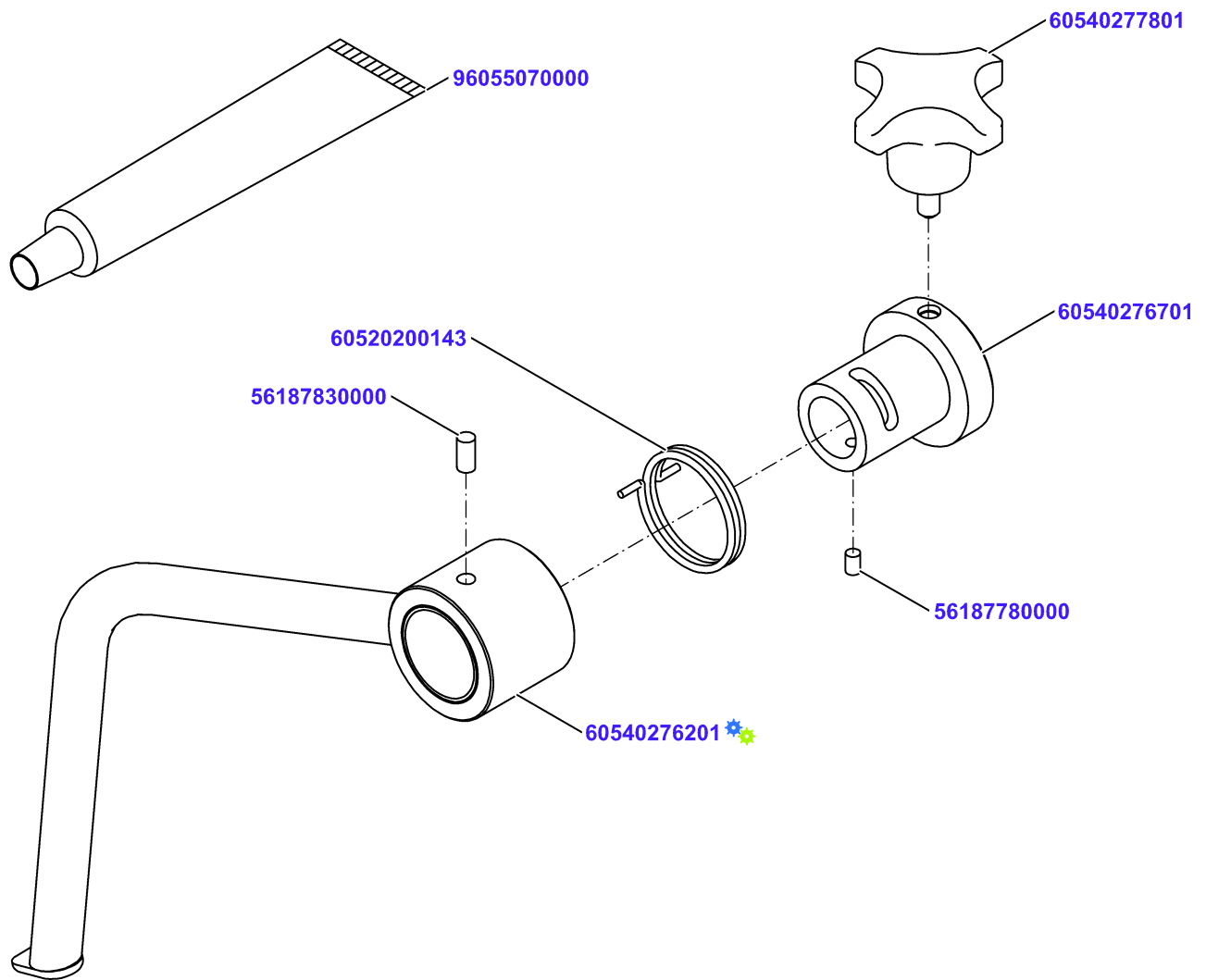
## Holding Down Device ass.



## Holding Down Device ass.

Material No.	Qty	Material description	available for order	Wear part	Recomm. sp. part	Metr. relevance
<a href="#">60540276201</a>	1	Holding Down Device preass.				
<a href="#">56187830000</a>	1	Cylindrical pin EN 22338-5m6x10-A2				
<a href="#">60540276701</a>	1	hub				
<a href="#">60540277802</a>	1	Handle with screw M6 x 13,55				
<a href="#">56187780000</a>	1	Cylindrical pin EN 22338-4m6x6-A2				
<a href="#">60520200143</a>	1	torsion spring				
<a href="#">96055070000</a>	0,005	Grease PARALIQ GA 343				

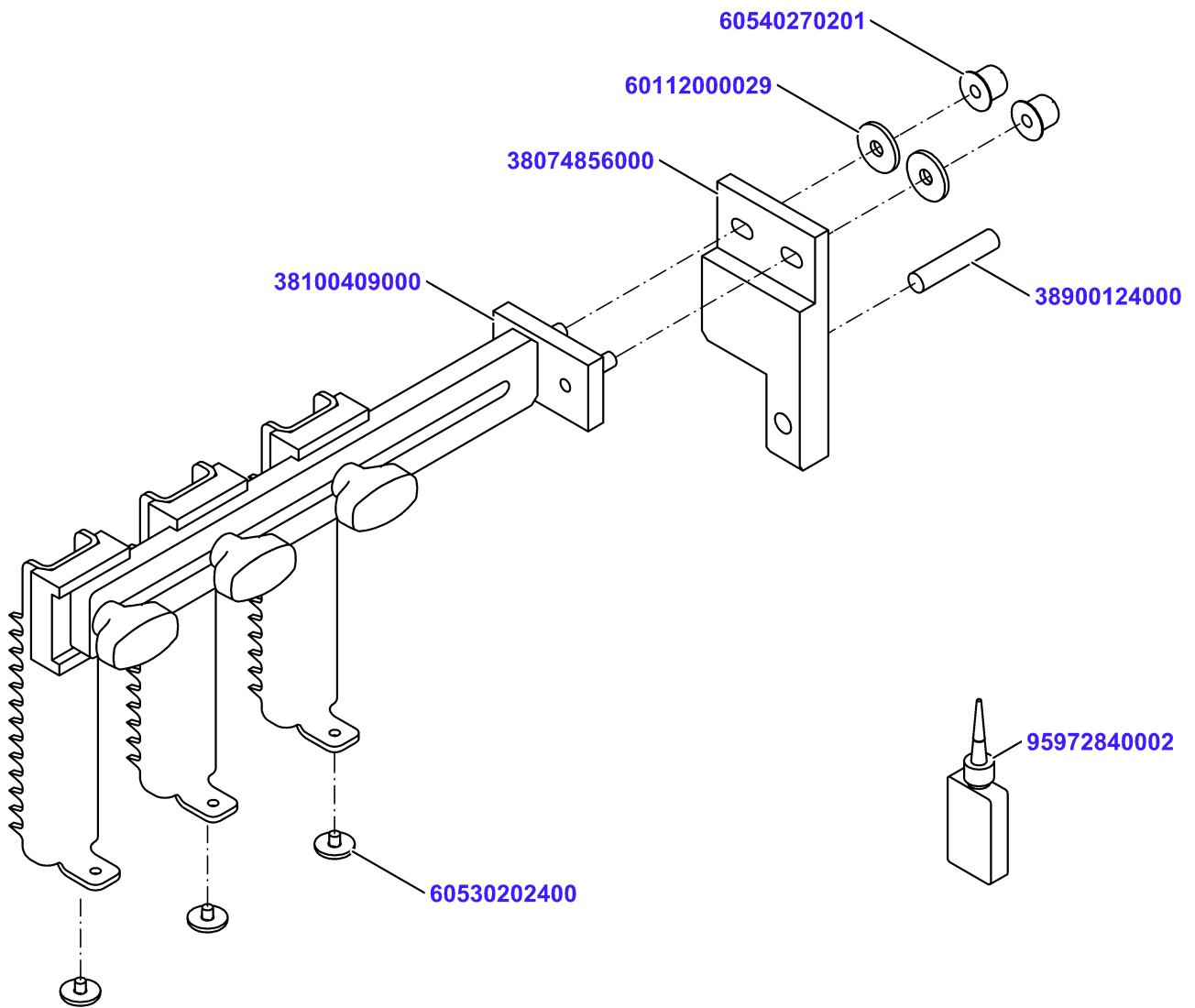
# Holding Down Device ass.



# Holding Down Device ass.

Material No.	Qty	Material description	available for order	Wear part	Recomm. sp. part	Metr. relevance
<a href="#">60540276201</a>	1	Holding Down Device preass.				
<a href="#">56187830000</a>	1	Cylindrical pin EN 22338-5m6x10-A2				
<a href="#">60540276701</a>	1	hub				
<a href="#">56187780000</a>	1	Cylindrical pin EN 22338-4m6x6-A2				
<a href="#">60520200143</a>	1	torsion spring				
<a href="#">96055070000</a>	0,005	Grease PARALIQ GA 343				

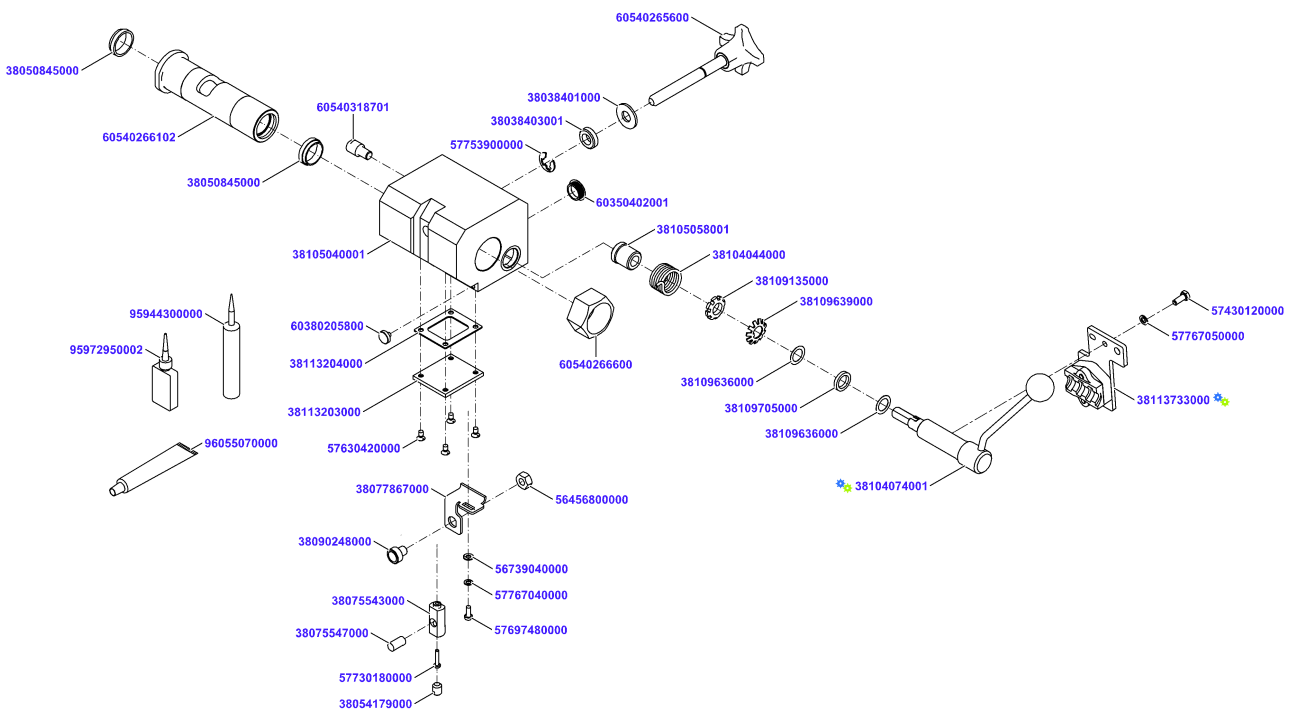
# Product Holder cpl. Carriage guide ruler



## Product Holder cpl. Carriage guide ruler

Material No.	Qty	Material description	available for order	Wear part	Recomm. sp. part	Metr. relevance
<a href="#">38100409000</a>	1	Product Holder with guide feeder	✓			
<a href="#">60530202400</a>	3	slider	✓			
<a href="#">38074856000</a>	1	Feeder Adapter	✓			
<a href="#">60112000029</a>	2	Washer	✓			
<a href="#">60540270201</a>	2	Cap nut M6	✓		✓	
<a href="#">38900124000</a>	1	Cylindrical pin EN 22338-8m6x40-A2	✓			
<a href="#">95972840002</a>	0,001	Loctite 648 10ml.	✓			

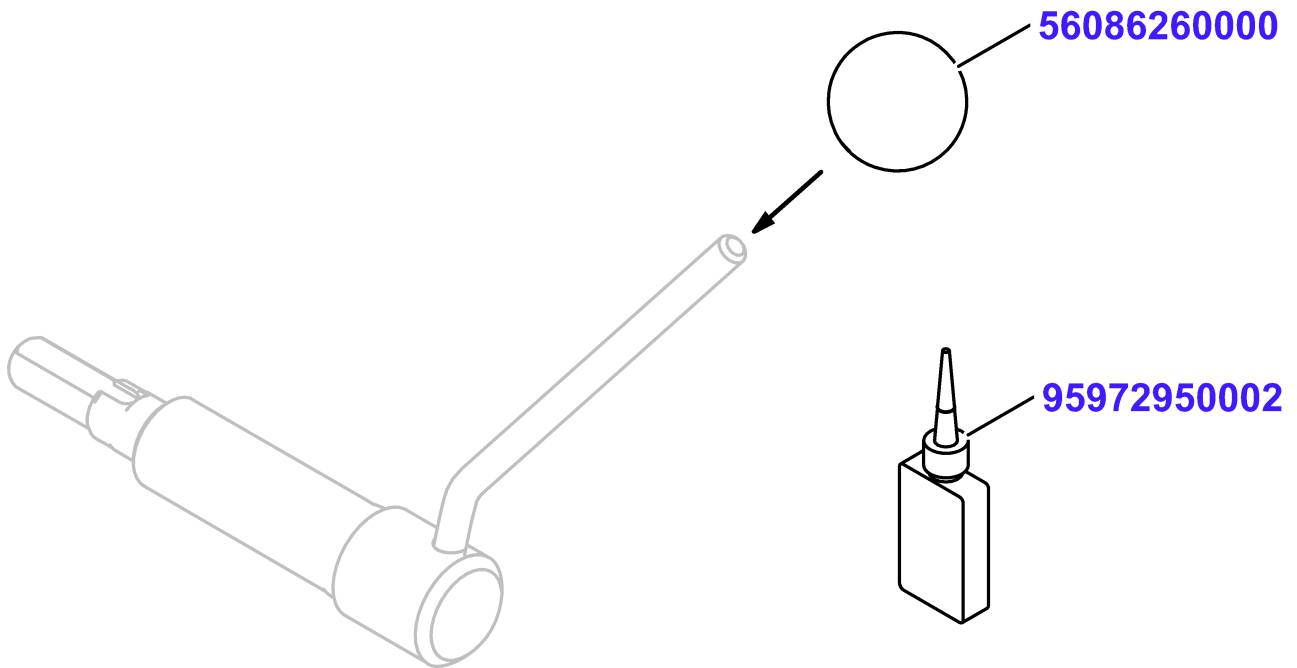
# Product Holder Guide NSF cpl



# Product Holder Guide NSF cpl

Material No.	Qty	Material description	available for order	Wear part	Recomm. sp. part	Metr. relevance
38105040001	1	Product Holder Guide	✓			
60540265600	1	locking lever mount.	✓			
38038401000	1	washer	✓			
38038403001	1	Bushing 19,1x10,7x5	✓			
57753900000	1	Retaining washer DIN6799-9	✓			
60540266102	1	Bushing complete	✓			
38050845000	2	Deflector Ring	✓			
60540266600	1	hex nut	✓			
38109705000	1	Shaft seal 12x18x3	✓			
38109636000	1	Shim ring DIN988-12x18x0,2	✓			
38104074001	1	Bolt NSF cpl	✓			
38109636000	1	Shim ring DIN988-12x18x0,2	✓			
38109639000	1	Safety plate DIN5406-MB1	✓			
38109135000	1	Grooved nut M12 x 0.5	✓			
38105058001	1	Bushing 19,5/18x10,2x21	✓			
38104044000	1	Torsion spring left	✓			
96055070000	0,005	Grease PARALIQ GA 343	✓			
38113733000	1	Holder preassembled	✓			
57767050000	1	Spring lock washer DIN128-A5-FSt	✓			
57430120000	1	Hexagon screw DIN933 M5x12 A2-70	✓			
60350402001	1	Protective plug	✓			
95944300000	0,005	Kitchen silicone ELASTO4710	✓			
38113203000	1	cover	✓			
38113204000	1	Seal 47x40x1	✓			
57630420000	4	Countersunk screw DIN963 M4x8-A2-70	✓			
38077867000	1	Magnet Base	✓			
38090248000	1	Magnet Vacodym 370 wz round 10x4 preass	✓			
56456800000	1	Hexagon nut DIN934-M8-A2	✓			
57697480000	1	Cylinder screw DIN84 M4x10-A2-70	✓			
56739040000	1	Washer DIN125-A 4.3-A2-70	✓			
57767040000	1	Spring lock washer DIN128-A4-FSt	✓			
38075543000	1	Mounting Pin	✓			
57730180000	1	Oval-head screw ISO14583 M3x16-A2-70-T10	✓			
38075547000	1	Parallel Pin 8x15	✓			
38054179000	1	Set screw DIN438 M8x10-A2-70	✓			
60380205800	1	SLIDE PIN	✓			
60540318701	1	stop pin	✓			
95972950002	0,001	Loctite 243 50 ml	✓			

## Bolt NSF cpl

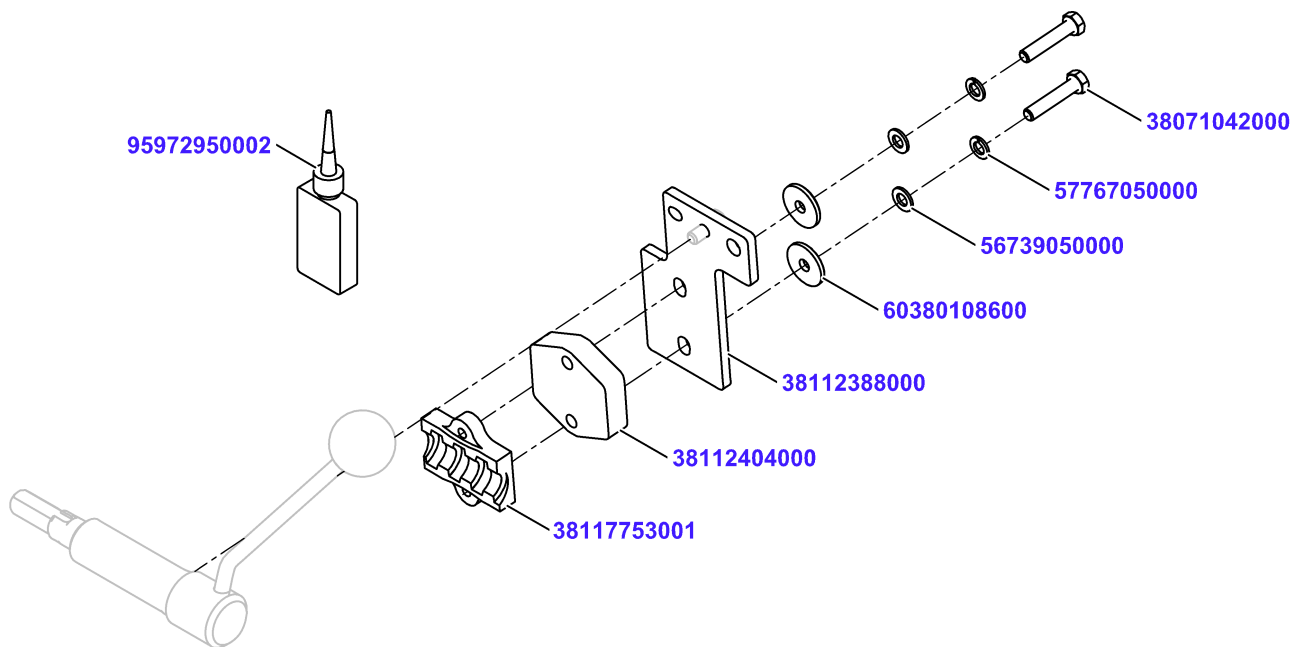


# Bolt NSF cpl

Material No.	Qty	Material description
<a href="#">56086260000</a>	1	Ball knob DIN319 M6x25 I
<a href="#">95972950002</a>	0,001	Loctite 243 50 ml

available for order
Wear part
Recomm. sp. part
Metr. relevance

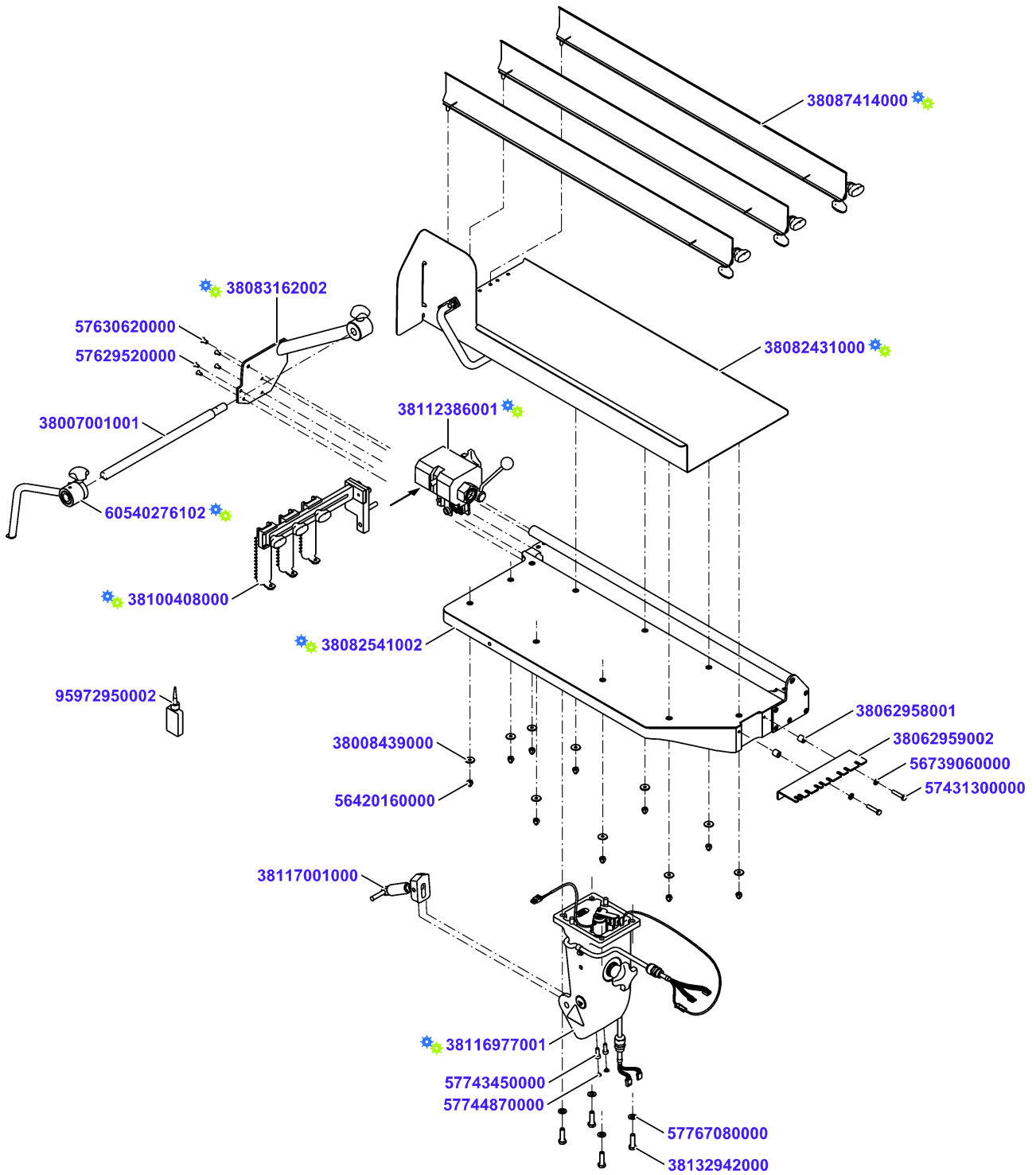
# Holder preassembled



## Holder preassembled

Material No.	Qty	Material description	available for order	Wear part	Recomm. sp. part	Metr. relevance
<a href="#">38112388000</a>	1	Holder	✓			
<a href="#">38112404000</a>	1	Spacer plate 40x40x10	✓			
<a href="#">38117753001</a>	1	Nut Plate TR20X12P4	✓	✓	✓	
<a href="#">38071042000</a>	2	Hexagon screw DIN933 M5x25 A2-70	✓			
<a href="#">60380108600</a>	2	Washer	✓			
<a href="#">56739050000</a>	2	Washer DIN125-A-5-A2	✓			
<a href="#">57767050000</a>	2	Spring lock washer DIN128-A5-FSt	✓			
<a href="#">95972950002</a>	0,001	Loctite 243 50 ml	✓			

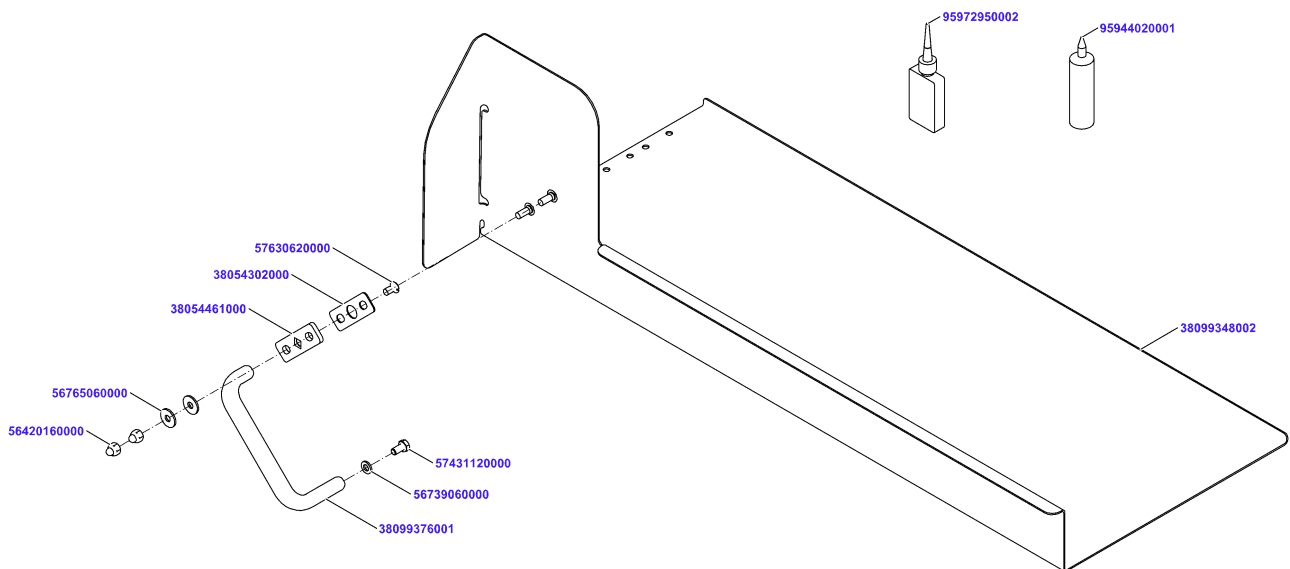
# Carriage VSI 600 with guide ruler



# Carriage VSI 600 with guide ruler

Material No.	Qty	Material description	available for order	Wear part	Recomm. sp. part	Metr. relevance
<a href="#">38082431000</a>	1	Carriage Plate Template preass	✓			
<a href="#">56420160000</a>	10	Cap nut DIN986-M6-A2	✓			
<a href="#">38008439000</a>	10	Sealing washer M6	✓		✓	
<a href="#">38082541002</a>	1	Carriage 600 premounted	✓			
<a href="#">38083162002</a>	1	Product Supporter top NSF cpl	✓			
<a href="#">57629520000</a>	4	Countersunk screw DIN963 M5x10-A2-70	✓			
<a href="#">95972950002</a>	0,001	Loctite 243 50 ml	✓			
<a href="#">57630620000</a>	1	Countersunk screw DIN963 M6x12-A2-70	✓			
<a href="#">38116977001</a>	1	Carriage Foot high cpl.	✓			
<a href="#">38132942000</a>	4	Hexagon screw DIN 933 M8x28 A2-70	✓			
<a href="#">57767080000</a>	4	Spring lock washer DIN128-A8-A2	✓			
<a href="#">38117001000</a>	1	Gas pressure spring carriage 600 cpl	✓		✓	
<a href="#">57743450000</a>	2	Cylinder screw DIN912 M6x16-A2-70	✓		✓	
<a href="#">57744870000</a>	2	Protective plug 10x5,2x3,1-PE	✓		✓	
<a href="#">38087414000</a>	3	metal sheet insert cpl mach	✓			
<a href="#">38062959002</a>	1	Angle	✓			
<a href="#">38062958001</a>	2	Spacer	✓			
<a href="#">57431300000</a>	2	Hexagon screw DIN933 M6x30 A2-70	✓			
<a href="#">56739060000</a>	2	Washer DIN125-A-6-A2	✓			
<a href="#">38007001001</a>	1	Axis 18x342	✓			
<a href="#">60540276102</a>	1	Holding Down Device ass.	✓			
<a href="#">38100408000</a>	1	Product Holder cpl. Carriage guide ruler	✓			
<a href="#">38112386001</a>	1	Product Holder Guide NSF cpl	✓			

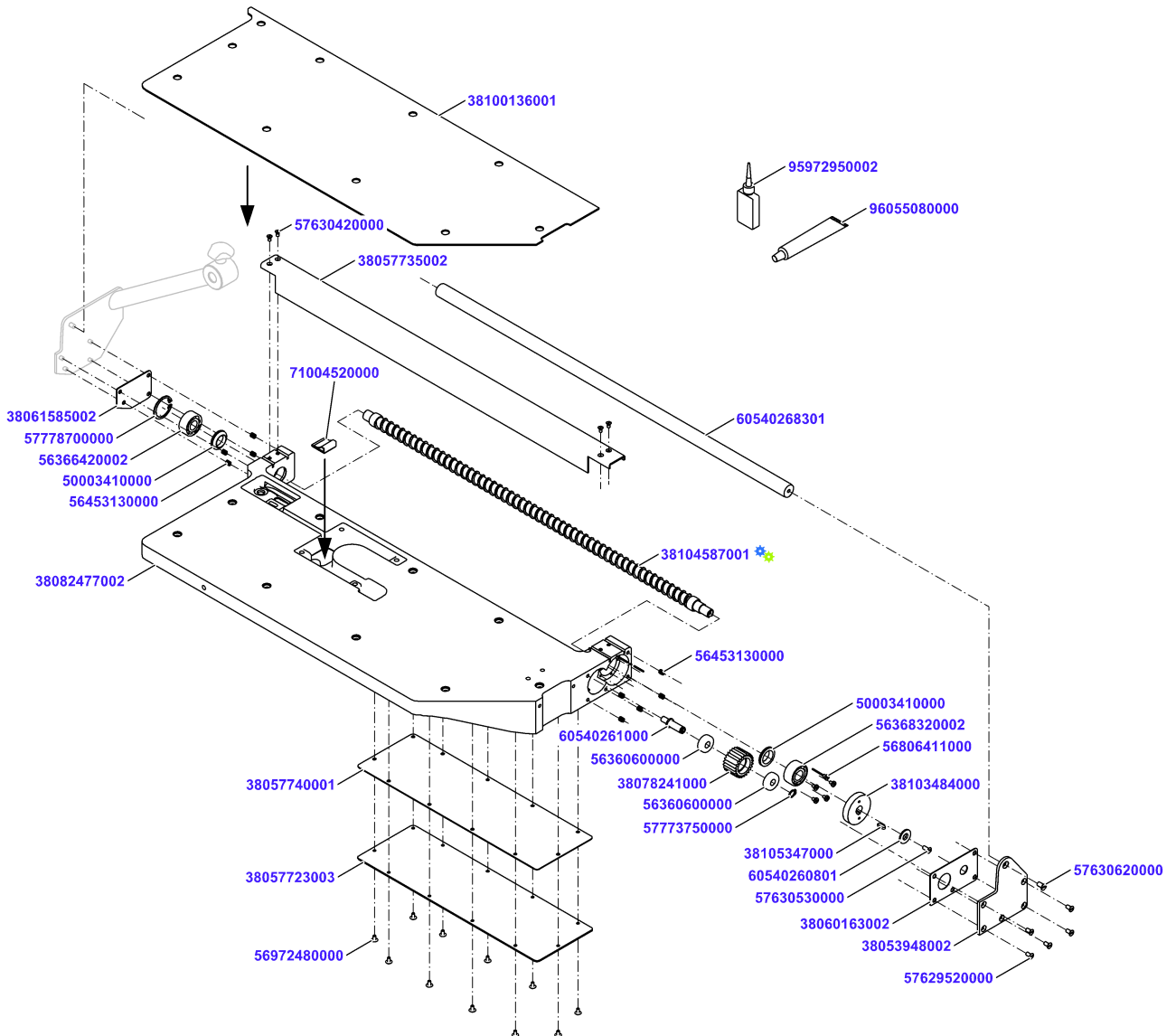
# Carriage Plate Template preass



## Carriage Plate Template press

Material No.	Qty	Material description	available for order	Wear part	Recomm. sp. part	Metr. relevance
<a href="#">38099348002</a>	1	Carriage Plate welded	✓			
<a href="#">38099376001</a>	1	Handle	✓			
<a href="#">38054461000</a>	1	Plate	✓			
<a href="#">38054302000</a>	1	Gasket	✓		✓	
<a href="#">95944020001</a>	10	Silicone Rubber Elastosil E41 90ml	✓			
<a href="#">57630620000</a>	1	Countersunk screw DIN963 M6x12-A2-70	✓			
<a href="#">95972950002</a>	0,001	Loctite 243 50 ml	✓			
<a href="#">56420160000</a>	2	Cap nut DIN986-M6-A2	✓			
<a href="#">56765060000</a>	2	Washer DIN9021-6-A2	✓			
<a href="#">57431120000</a>	1	Hexagon screw DIN933 M6x12 A2-70	✓			
<a href="#">56739060000</a>	1	Washer DIN125-A-6-A2	✓			

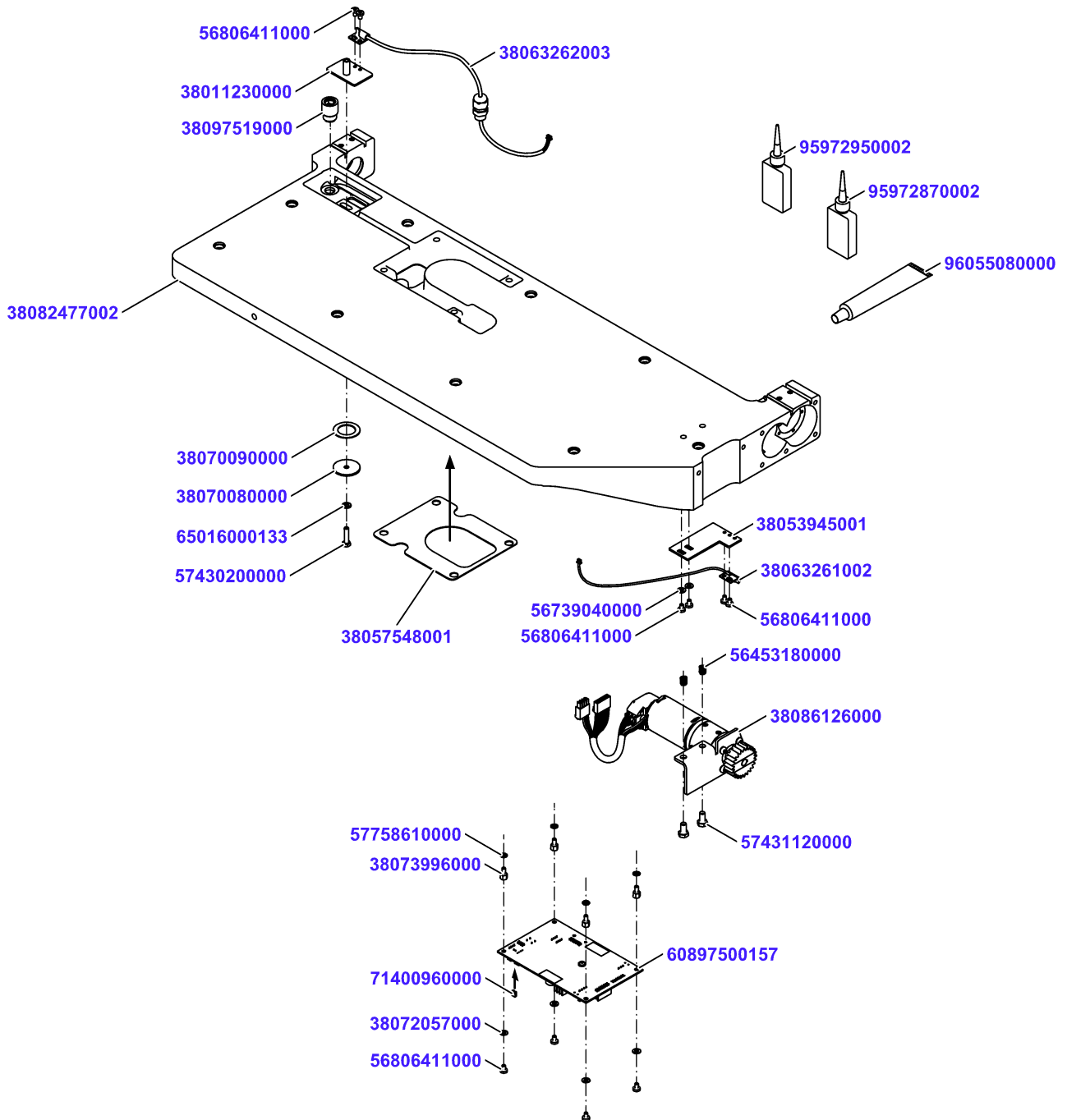
# Carriage 600 premounted



# Carriage 600 premounted

Material No.	Qty	Material description	available for order	Wear part	Recomm. sp. part	Metr. relevance
38082477002	1	Carriage Carrier 600 machined	✓			
56453130000	9	Thread insert M5x7,5-A2	✓			
57778700000	1	Retaining ring DIN472-35x1,5	✓			
38104587001	1	Feedspindle 721xTR20X12 ass.	✓			
96055080000	0,001	Kluebersynth UH1 64-62/25kg	✓			
56806411000	5	Oval-head screw ISO14583 M4x6-A2-70-T20	✓			
95972950002	0,005	Loctite 243 50 ml	✓			
38103484000	1	Gear Wheel	✓			
38105347000	1	Parallel key DIN6885-A 5x3x14	✓			
60540260801	1	Washer	✓			
57630530000	1	Countersunk screw DIN963 M5x12-A2-70	✓			
60540261000	1	bolt	✓			
38078241000	1	Gear Wheel	✓			
56360600000	2	Grooved ball bearing DIN625 10x26x8	✓			
57773750000	1	Retaining ring DIN471-10x1	✓			
38057735002	1	Guide Rail 600er	✓			
57630420000	4	Countersunk screw DIN963 M4x8-A2-70	✓			
56806411000	4	Oval-head screw ISO14583 M4x6-A2-70-T20	✓			
56806411000	2	Oval-head screw ISO14583 M4x6-A2-70-T20	✓			
71004520000	1	Flat Cabel Holder 3484-1000	✓			
56806411000	4	Oval-head screw ISO14583 M4x6-A2-70-T20	✓			
38053948002	1	Flange	✓			
38060163002	1	Sealing	✓		✓	
57629520000	5	Countersunk screw DIN963 M5x10-A2-70	✓			
38061585002	1	sealing	✓		✓	
60540268301	1	guide shaft	✓			
57630620000	1	Countersunk screw DIN963 M6x12-A2-70	✓			
38100136001	1	Flat Seal Carriage Plate 600	✓		✓	
38057723003	1	Cover 378x119,1x2	✓			
38057740001	1	Seal long	✓		✓	
56972480000	11	Mushroom head screw M4x8-A2-70 Tuflok	✓			
50003410000	2	Wiper ring 30x20x7	✓			
56368320002	1	Angular bearing double-row 15x35x15,9	✓			
56366420002	1	Self-Aligning Ball Bearing 2202	✓			

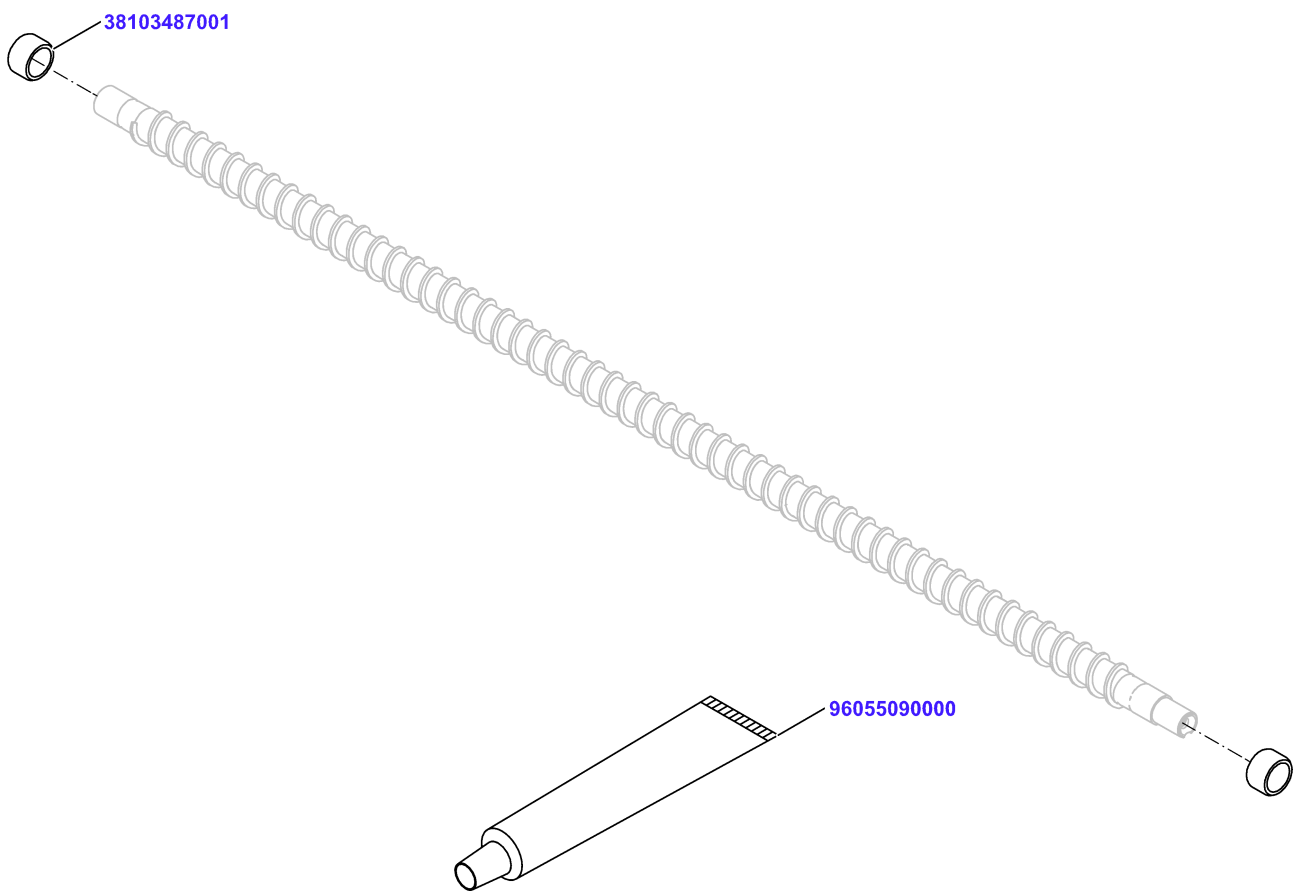
# Carriage 600 premounted



# Carriage 600 premounted



Material No.	Qty	Material description	available for order	Wear part	Recomm. sp. part	Metr. relevance
<a href="#">38082477002</a>	1	Carriage Carrier 600 machined	✓			
<a href="#">56453180000</a>	2	Threaded insert M6x9	✓			
<a href="#">96055080000</a>	0,001	Kluebersynth UH1 64-62/25kg	✓			
<a href="#">56806411000</a>	5	Oval-head screw ISO14583 M4x6-A2-70-T20	✓			
<a href="#">95972950002</a>	0,005	Loctite 243 50 ml	✓			
<a href="#">38053945001</a>	1	Board	✓			
<a href="#">38063261002</a>	1	Sensor product feeding 1 VSI	✓			
<a href="#">56806411000</a>	4	Oval-head screw ISO14583 M4x6-A2-70-T20	✓			
<a href="#">56739040000</a>	2	Washer DIN125-A 4.3-A2-70	✓			
<a href="#">38011230000</a>	1	Board cpl	✓			
<a href="#">38063262003</a>	1	Sensor product feeding 2 VSI	✓			
<a href="#">56806411000</a>	2	Oval-head screw ISO14583 M4x6-A2-70-T20	✓			
<a href="#">38070080000</a>	1	Washer	✓		✓	
<a href="#">38070090000</a>	1	Sealing	✓		✓	
<a href="#">57430200000</a>	1	Hexagon screw DIN933 M5x20 A2-70	✓			
<a href="#">65016000133</a>	1	Washer 5-PA	✓			
<a href="#">38097519000</a>	1	Sleeve 18 x 10 x 24.25	✓			
<a href="#">95972870002</a>	0,001	Loctite 638	✓			
<a href="#">38086126000</a>	1	Motor Product Feeding BG42x15 cpl	✓			
<a href="#">57431120000</a>	2	Hexagon screw DIN933 M6x12 A2-70	✓			
<a href="#">60897500157</a>	1	PCBAP MC 3ph 2ch lv bus	✓			
<a href="#">71400960000</a>	1	Short Circuit Bracket 3131 731000406	✓		✓	
<a href="#">57758610000</a>	4	Toothed washer DIN6797-A 4,3-Fst	✓			
<a href="#">38073996000</a>	4	Distance bolt SW7x6 M4-M4 In-Out	✓			
<a href="#">56806411000</a>	4	Oval-head screw ISO14583 M4x6-A2-70-T20	✓			
<a href="#">38072057000</a>	4	Washer DIN125-A-4-PA6	✓			
<a href="#">38057548001</a>	1	Seal	✓		✓	

## Feedspindle 721xTR20X12 ass.

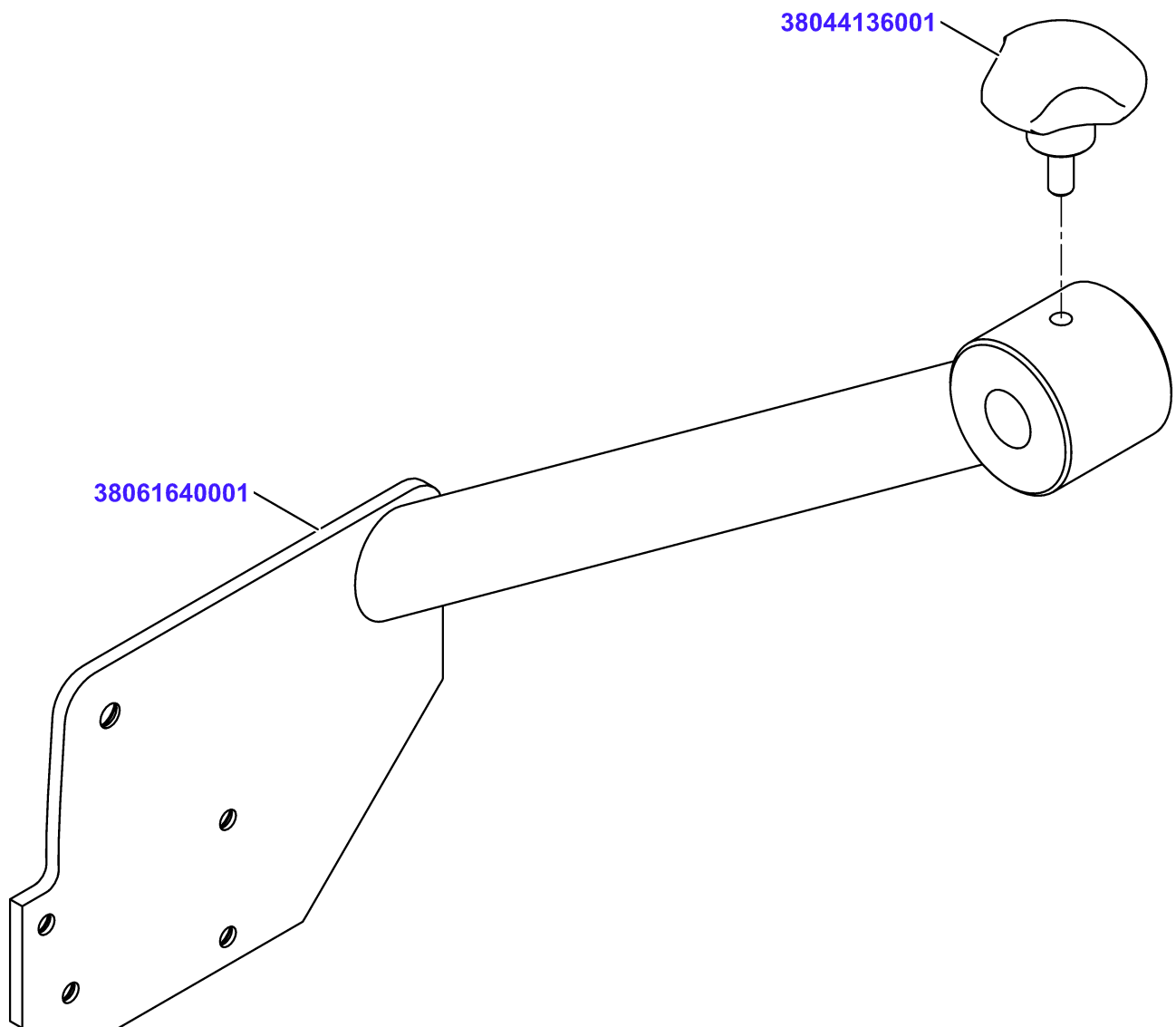


## Feedspindle 721xTR20X12 ass.

Material No.	Qty	Material description
<a href="#">38103487001</a>	2	Ring 12x20x15H7
<a href="#">96055090000</a>	0,002	Assembly-paste Rivolta F.L.A. 100 ml

available for order	Wear part	Recomm. sp. part	Metr. relevance
			
			

## Product Supporter top NSF cpl

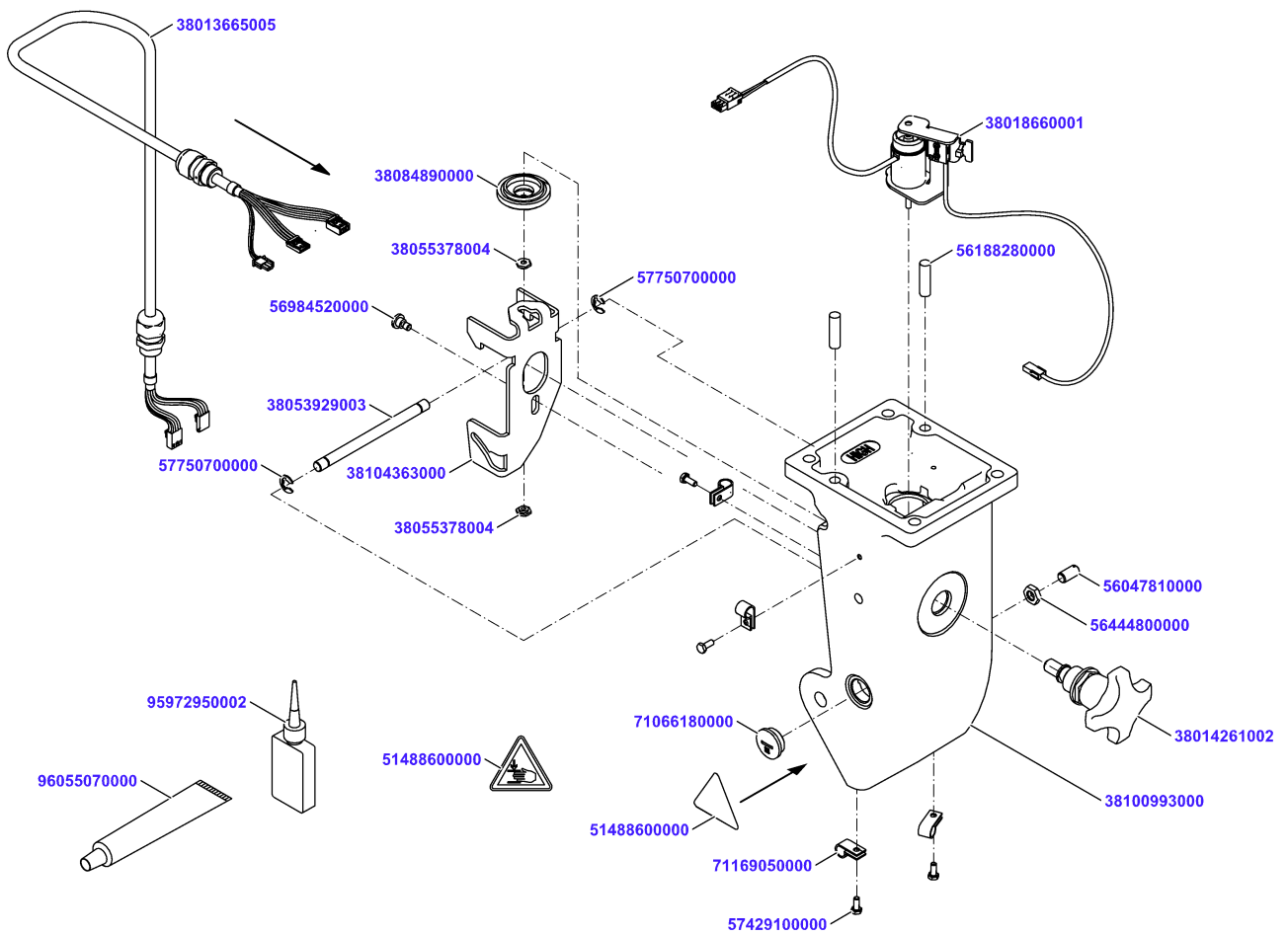


# Product Supporter top NSF cpl

Material No.	Qty	Material description
<a href="#">38061640001</a>	1	Mounting welded
<a href="#">38044136001</a>	1	Handle with screw M6 x 14,75

available for order
Wear part
Recomm. sp. part
Metr. relevance

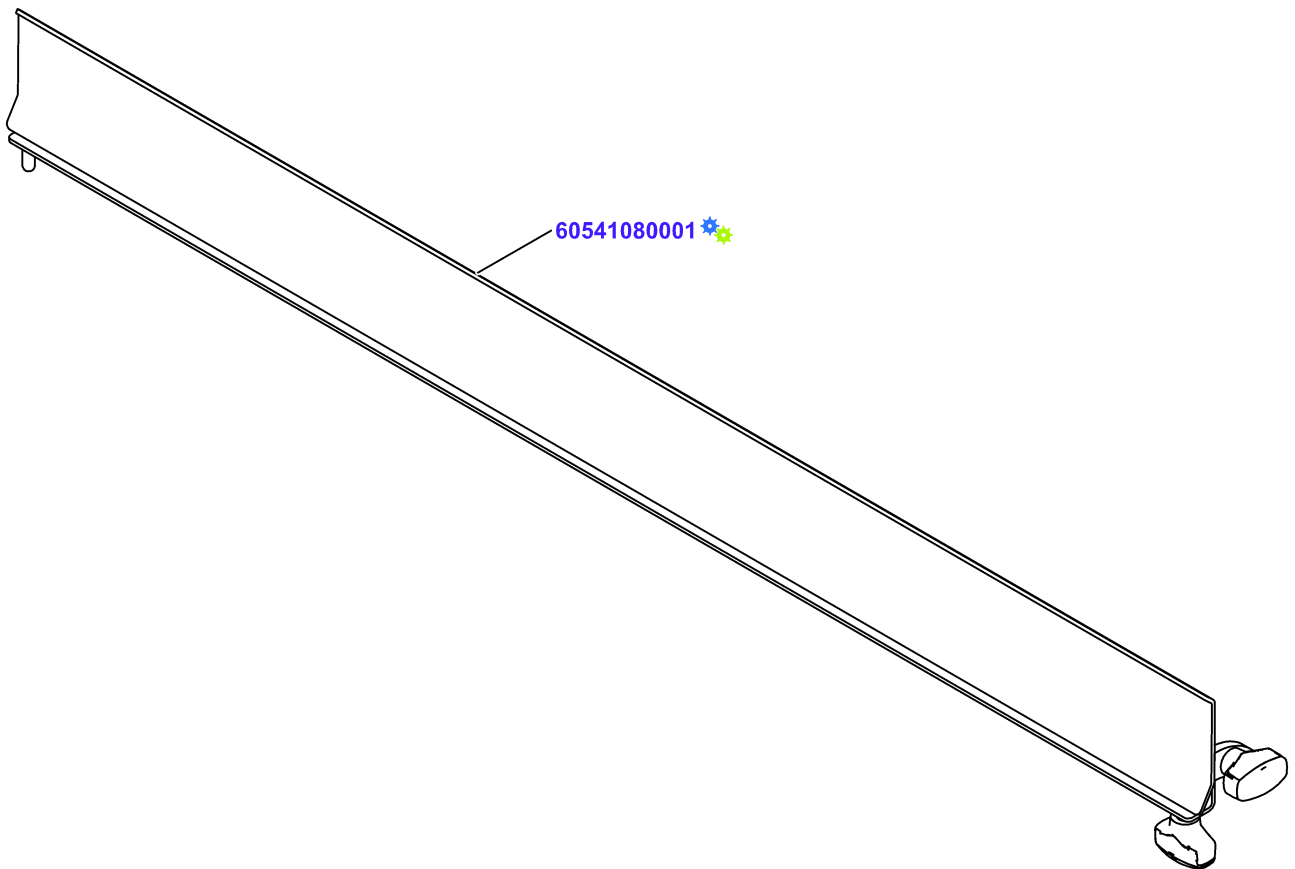
# Carriage Foot high cpl.



# Carriage Foot high cpl.

Material No.	Qty	Material description	available for order	Wear part	Recomm. sp. part	Metr. relevance
<a href="#">38100993000</a>	1	Carriage Foot high hygienic mach	✓			
<a href="#">56188280000</a>	2	Cylindrical pin EN 22338-8m6x28-A2	✓			
<a href="#">56047810000</a>	1	Set screw DIN551 M8x16-PA 66	✓			
<a href="#">56444800000</a>	1	Hexagon nut DIN439-M8-A2	✓			
<a href="#">38018660001</a>	1	Magnet preass	✓	✓		
<a href="#">38084890000</a>	1	Cap preass	✓			
<a href="#">38055378004</a>	2	Hexagon nut	✓			
<a href="#">95972950002</a>	0,001	Loctite 243 50 ml	✓			
<a href="#">38104363000</a>	1	Interlock	✓			
<a href="#">96055070000</a>	0,001	Grease PARALIQ GA 343	✓			
<a href="#">56984520000</a>	1	Pan head screw DIN923 M5x4A2-70	✓			
<a href="#">71066180000</a>	1	Blind plug BLK- M20	✓			
<a href="#">38014261002</a>	1	Handle preass.	✓			
<a href="#">38053929003</a>	1	Stop Bolt	✓			
<a href="#">57750700000</a>	2	Retaining washer DIN6799-7	✓			
<a href="#">71169050000</a>	4	Cable Clamp nylon 7,4mm NK-5N	✓			
<a href="#">38013665005</a>	1	Ka Rd 12x24AWG 0,87m	✓			
<a href="#">57429100000</a>	4	Hexagon screw DIN933 M4x10 A2-70	✓			
<a href="#">51488600000</a>	1	Warning Plate Hand Injury 7.29K	✓			

## metal sheet insert cpl mach



# metal sheet insert cpl mach

Material No.	Qty	Material description
<a href="#">60541080001</a>	1	Metal Sheet Insert cpl.

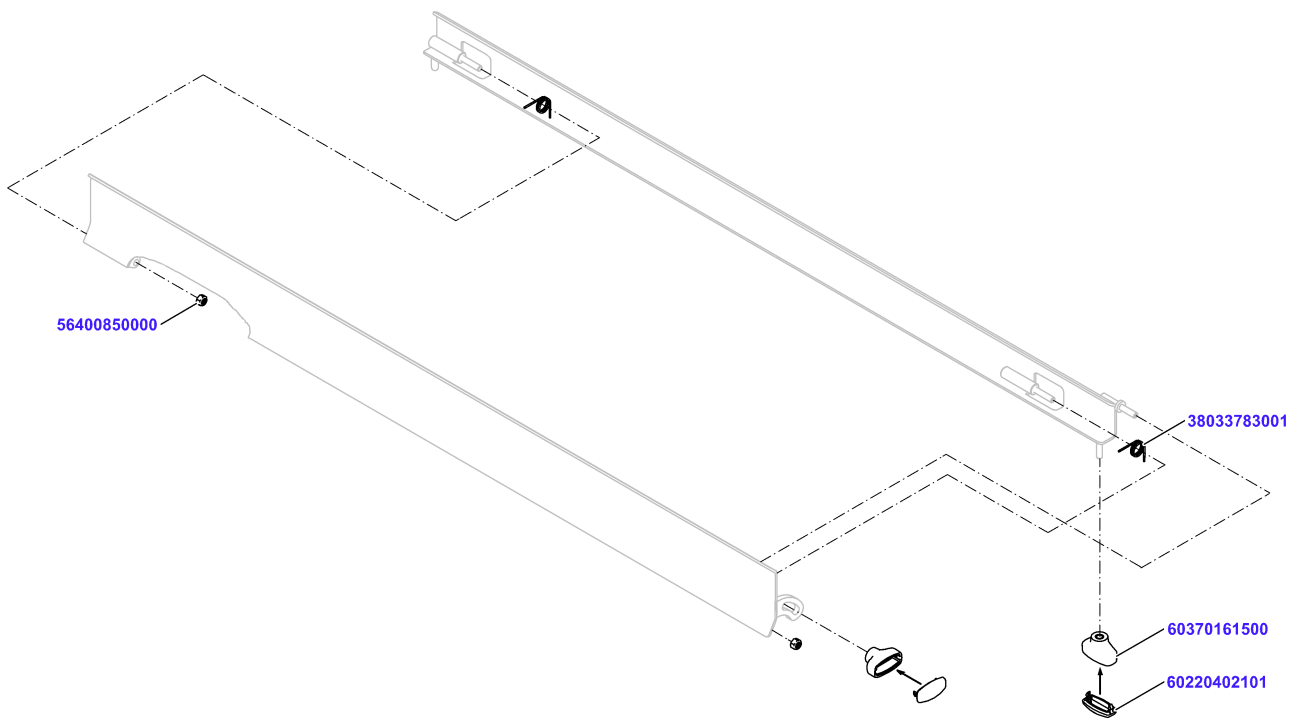
available for order

Wear part

Recomm. sp. part





Metr. relevance

# Metal Sheet Insert cpl.

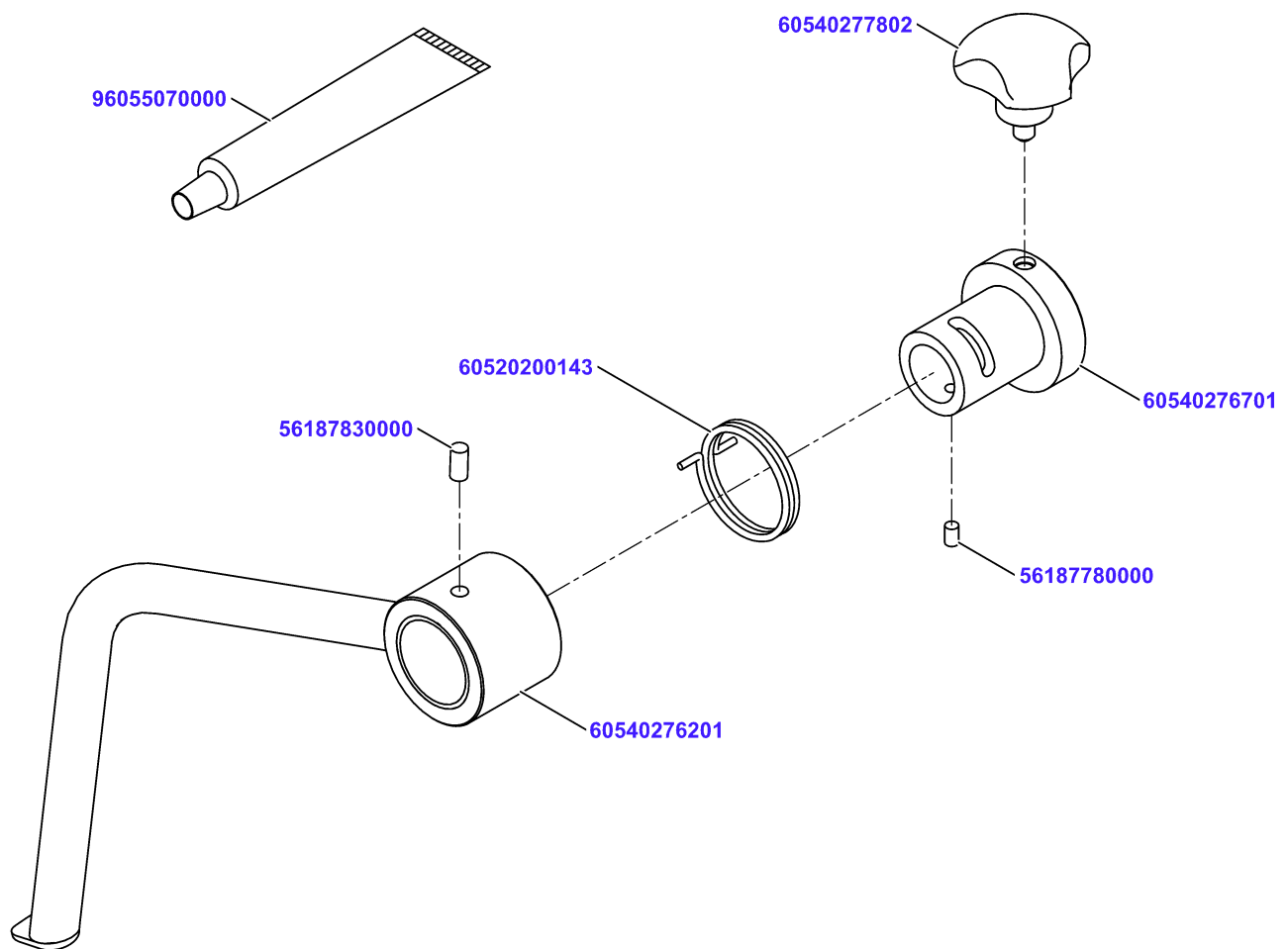


## Metal Sheet Insert cpl.

Material No.	Qty	Material description
<a href="#">56400850000</a>	2	Lock nut DIN985-M5-A2
<a href="#">60370161500</a>	2	Clamp handle small M 5
<a href="#">60220402101</a>	2	cover
<a href="#">38033783001</a>	2	Torsion Spring 13,4x5,1x1,2x15/20

available for order	Wear part	Recomm. sp. part	Metr. relevance
			
			
			
			

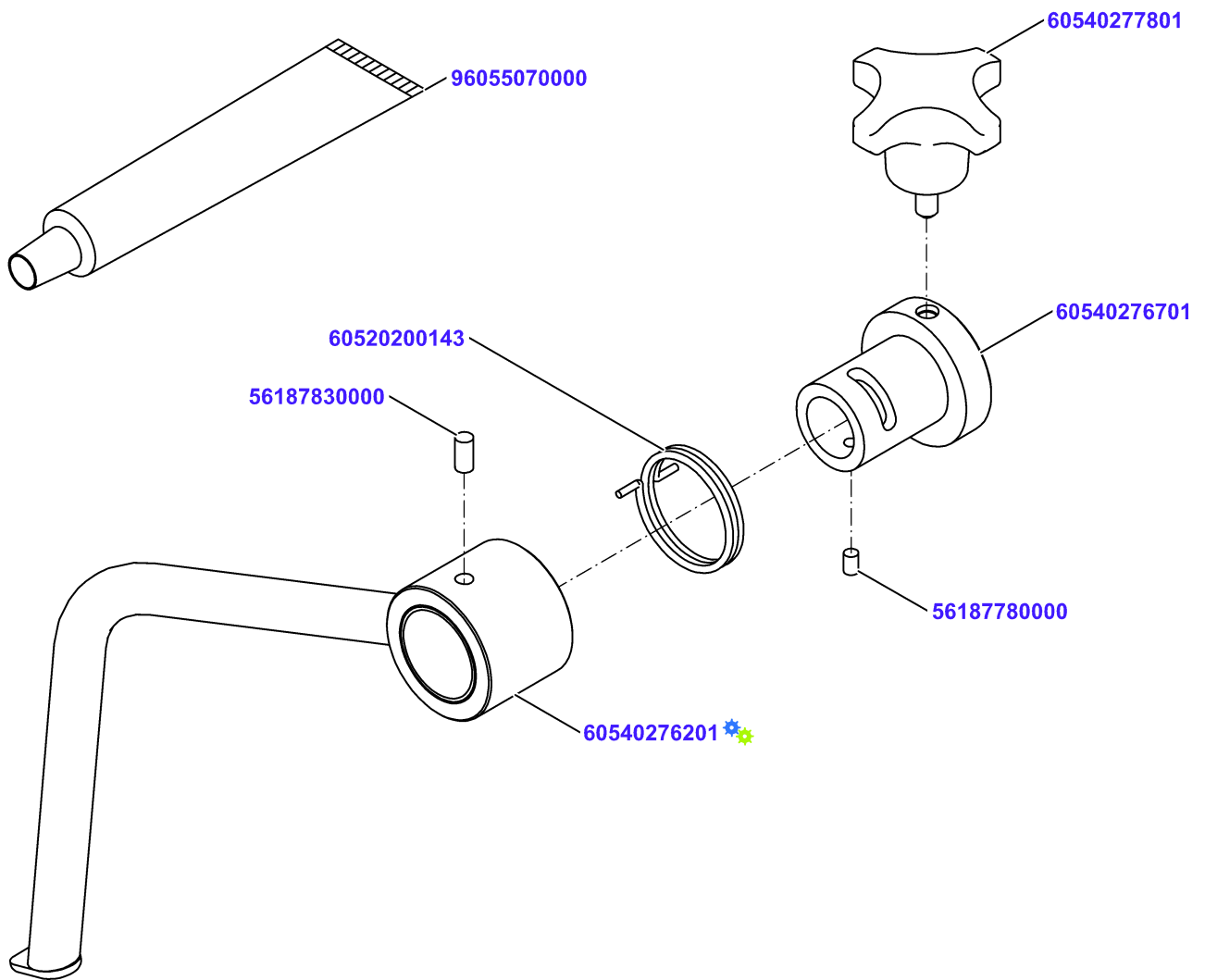
## Holding Down Device ass.



# Holding Down Device ass.

Material No.	Qty	Material description	available for order	Wear part	Recomm. sp. part	Metr. relevance
<a href="#">60540276201</a>	1	Holding Down Device preass.				
<a href="#">56187830000</a>	1	Cylindrical pin EN 22338-5m6x10-A2				
<a href="#">60540276701</a>	1	hub				
<a href="#">60540277802</a>	1	Handle with screw M6 x 13,55				
<a href="#">56187780000</a>	1	Cylindrical pin EN 22338-4m6x6-A2				
<a href="#">60520200143</a>	1	torsion spring				
<a href="#">96055070000</a>	0,005	Grease PARALIQ GA 343				

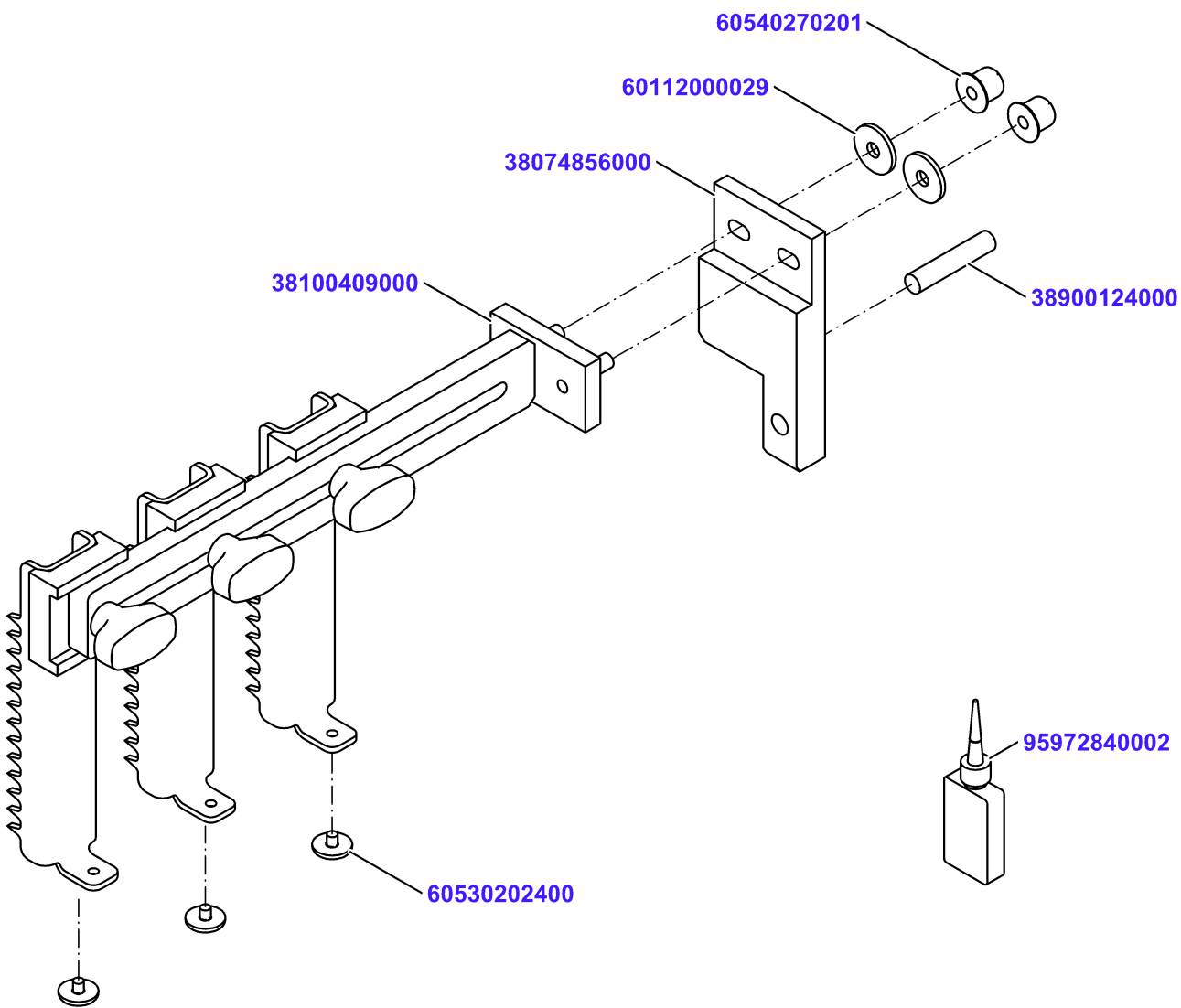
# Holding Down Device ass.



## Holding Down Device ass.

Material No.	Qty	Material description	available for order	Wear part	Recomm. sp. part	Metr. relevance
<a href="#">60540276201</a>	1	Holding Down Device preass.				
<a href="#">56187830000</a>	1	Cylindrical pin EN 22338-5m6x10-A2				
<a href="#">60540276701</a>	1	hub				
<a href="#">56187780000</a>	1	Cylindrical pin EN 22338-4m6x6-A2				
<a href="#">60520200143</a>	1	torsion spring				
<a href="#">96055070000</a>	0,005	Grease PARALIQ GA 343				

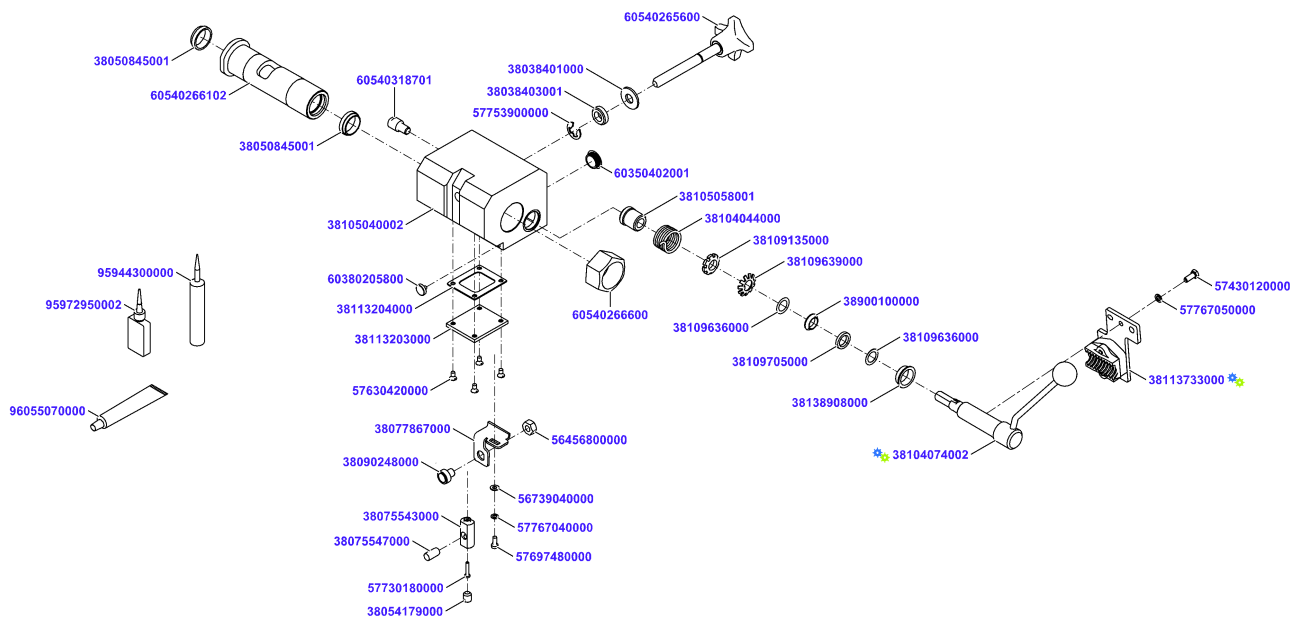
# Product Holder cpl. Carriage guide ruler



## Product Holder cpl. Carriage guide ruler

Material No.	Qty	Material description	available for order	Wear part	Recomm. sp. part	Metr. relevance
<a href="#">38100409000</a>	1	Product Holder with guide feeder	✓			
<a href="#">60530202400</a>	3	slider	✓			
<a href="#">38074856000</a>	1	Feeder Adapter	✓			
<a href="#">60112000029</a>	2	Washer	✓			
<a href="#">60540270201</a>	2	Cap nut M6	✓		✓	
<a href="#">38900124000</a>	1	Cylindrical pin EN 22338-8m6x40-A2	✓			
<a href="#">95972840002</a>	0,001	Loctite 648 10ml.	✓			

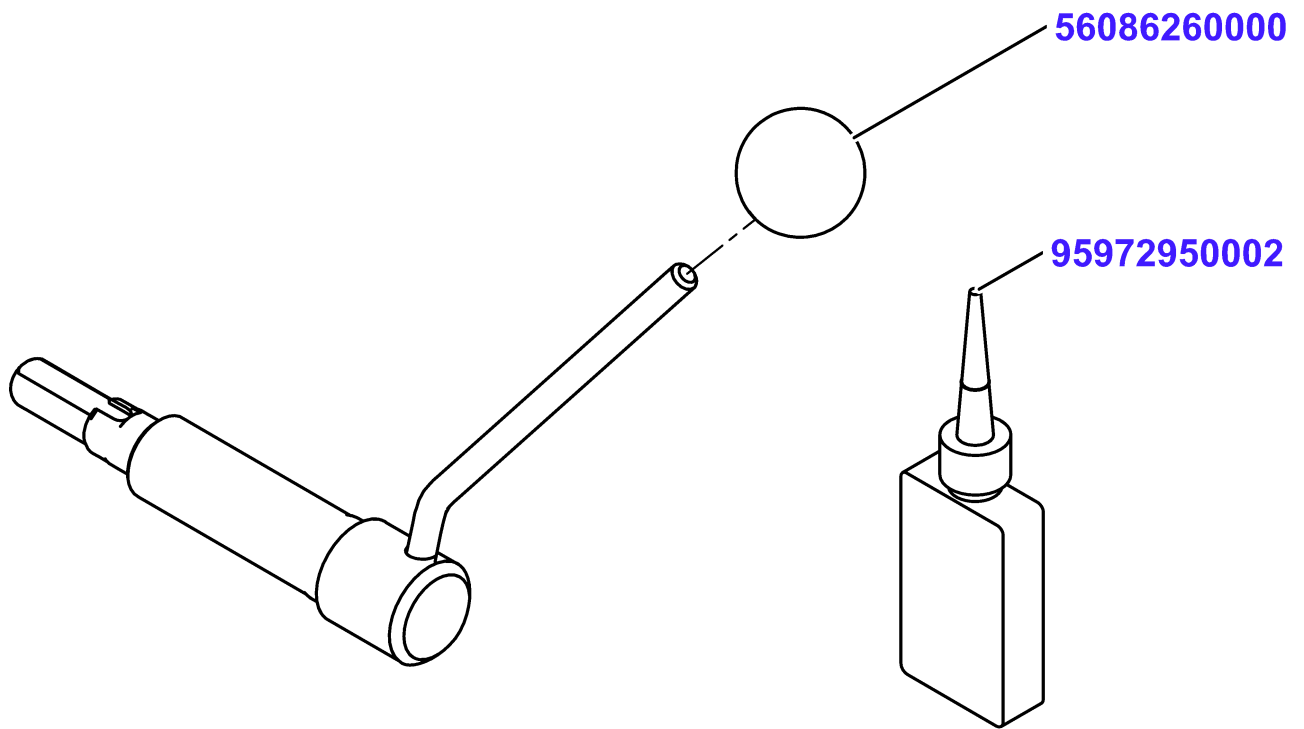
# Product Holder Guide NSF cpl



# Product Holder Guide NSF cpl

Material No.	Qty	Material description	available for order	Wear part	Recomm. sp. part	Metr. relevance
38105040002	1	Product Holder Guide NSF				
60540265600	1	locking lever mount.				
38038401000	1	washer				
38038403001	1	Bushing 19,1x10,7x5				
57753900000	1	Retaining washer DIN6799-9				
60540266102	1	Bushing complete				
38050845001	2	Deflector ring 25x20,2x7				
60540266600	1	hex nut				
38109705000	1	Shaft seal 12x18x3				
38109636000	1	Shim ring DIN988-12x18x0,2				
38104074002	1	Bolt NSF cpl				
38109636000	1	Shim ring DIN988-12x18x0,2				
38109639000	1	Safety plate DIN5406-MB1				
38109135000	1	Grooved nut M12 x 0.5				
38105058001	1	Bushing 19,5/18x10,2x21				
38104044000	1	Torsion spring left				
96055070000	0,005	Grease PARALIQ GA 343				
38113733000	1	Holder preassembled				
57767050000	1	Spring lock washer DIN128-A5-FSt				
57430120000	1	Hexagon screw DIN933 M5x12 A2-70				
60350402001	1	Protective plug				
95944300000	0,005	Kitchen silicone ELASTO4710				
38113203000	1	cover				
38113204000	1	Seal 47x40x1				
57630420000	4	Countersunk screw DIN963 M4x8-A2-70				
38077867000	1	Magnet Base				
38090248000	1	Magnet Vacodym 370 wz round 10x4 preass				
56456800000	1	Hexagon nut DIN934-M8-A2				
57697480000	1	Cylinder screw DIN84 M4x10-A2-70				
56739040000	1	Washer DIN125-A 4.3-A2-70				
57767040000	1	Spring lock washer DIN128-A4-FSt				
38075543000	1	Mounting Pin				
57730180000	1	Oval-head screw ISO14583 M3x16-A2-70-T10				
38075547000	1	Parallel Pin 8x15				
38054179000	1	Set screw DIN438 M8x10-A2-70				
60380205800	1	SLIDE PIN				
60540318701	1	stop pin				
95972950002	0,001	Loctite 243 50 ml				
38900100000	1	Plain bearing w. flange 12x18x14x4				
38138908000	1	Plain bearing w. flange 18x24x20x7				

# Bolt NSF cpl

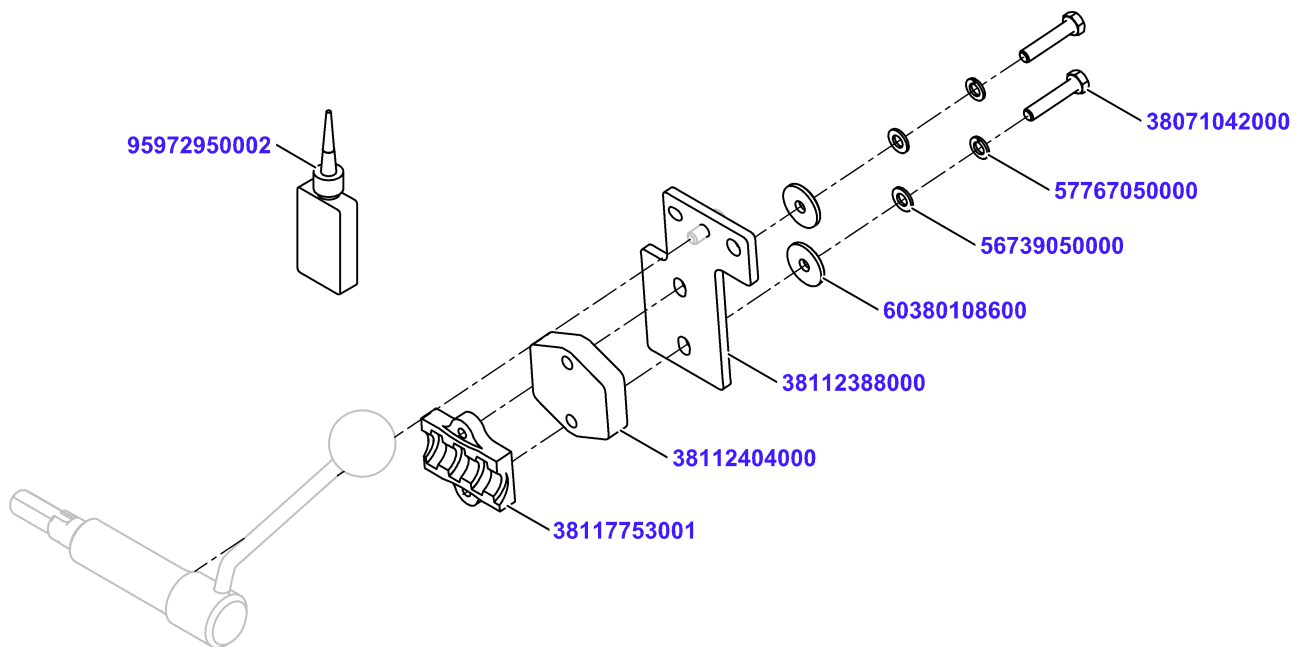


# Bolt NSF cpl

Material No.	Qty	Material description
<a href="#">56086260000</a>	1	Ball knob DIN319 M6x25 I
<a href="#">95972950002</a>	0,001	Loctite 243 50 ml

available for order
Wear part
Recomm. sp. part
Metr. relevance

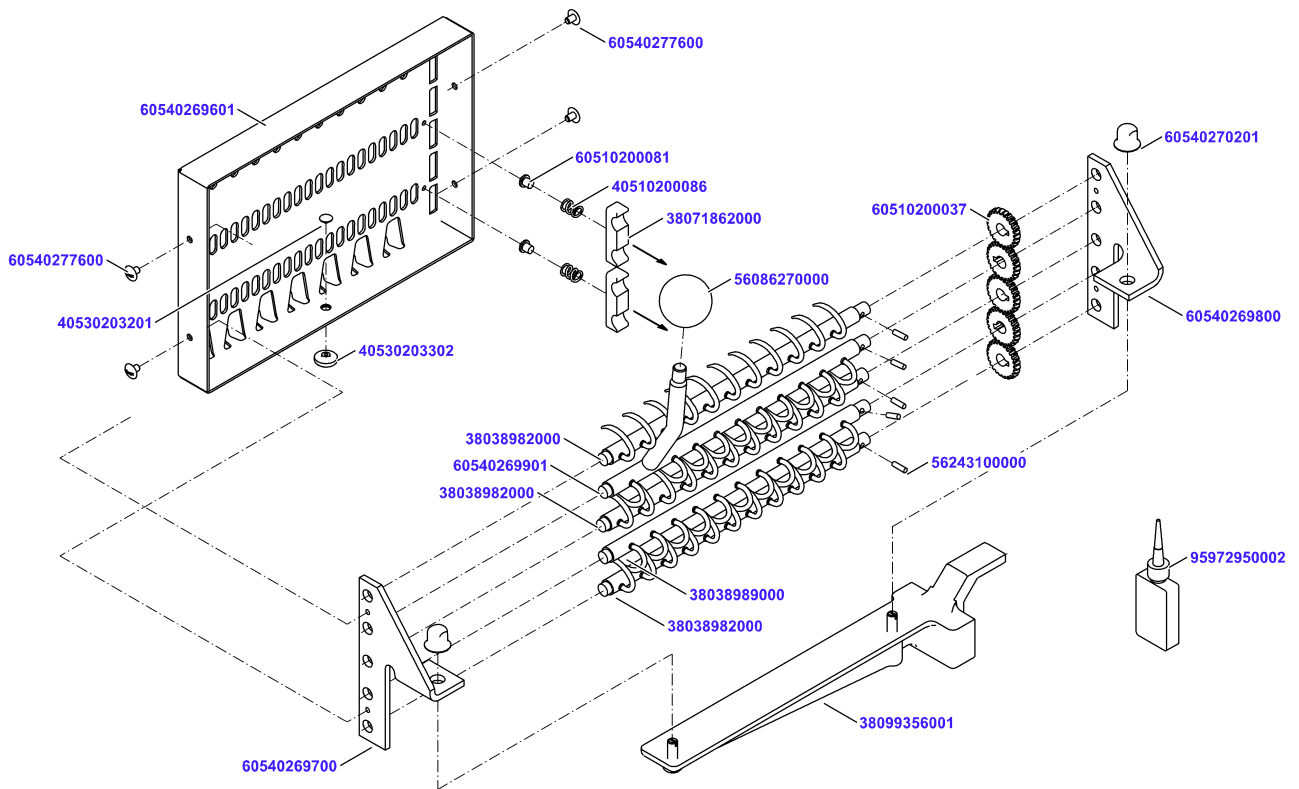
# Holder preassembled



## Holder preassembled

Material No.	Qty	Material description	available for order	Wear part	Recomm. sp. part	Metr. relevance
<a href="#">38112388000</a>	1	Holder	✓			
<a href="#">38112404000</a>	1	Spacer plate 40x40x10	✓			
<a href="#">38117753001</a>	1	Nut Plate TR20X12P4	✓		✓	
<a href="#">38071042000</a>	2	Hexagon screw DIN933 M5x25 A2-70	✓			
<a href="#">60380108600</a>	2	Washer	✓			
<a href="#">56739050000</a>	2	Washer DIN125-A-5-A2	✓			
<a href="#">57767050000</a>	2	Spring lock washer DIN128-A5-FSt	✓			
<a href="#">95972950002</a>	0,001	Loctite 243 50 ml	✓			

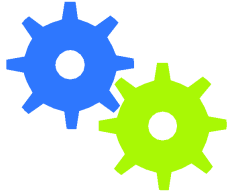
# Product Holder cpl. VSI



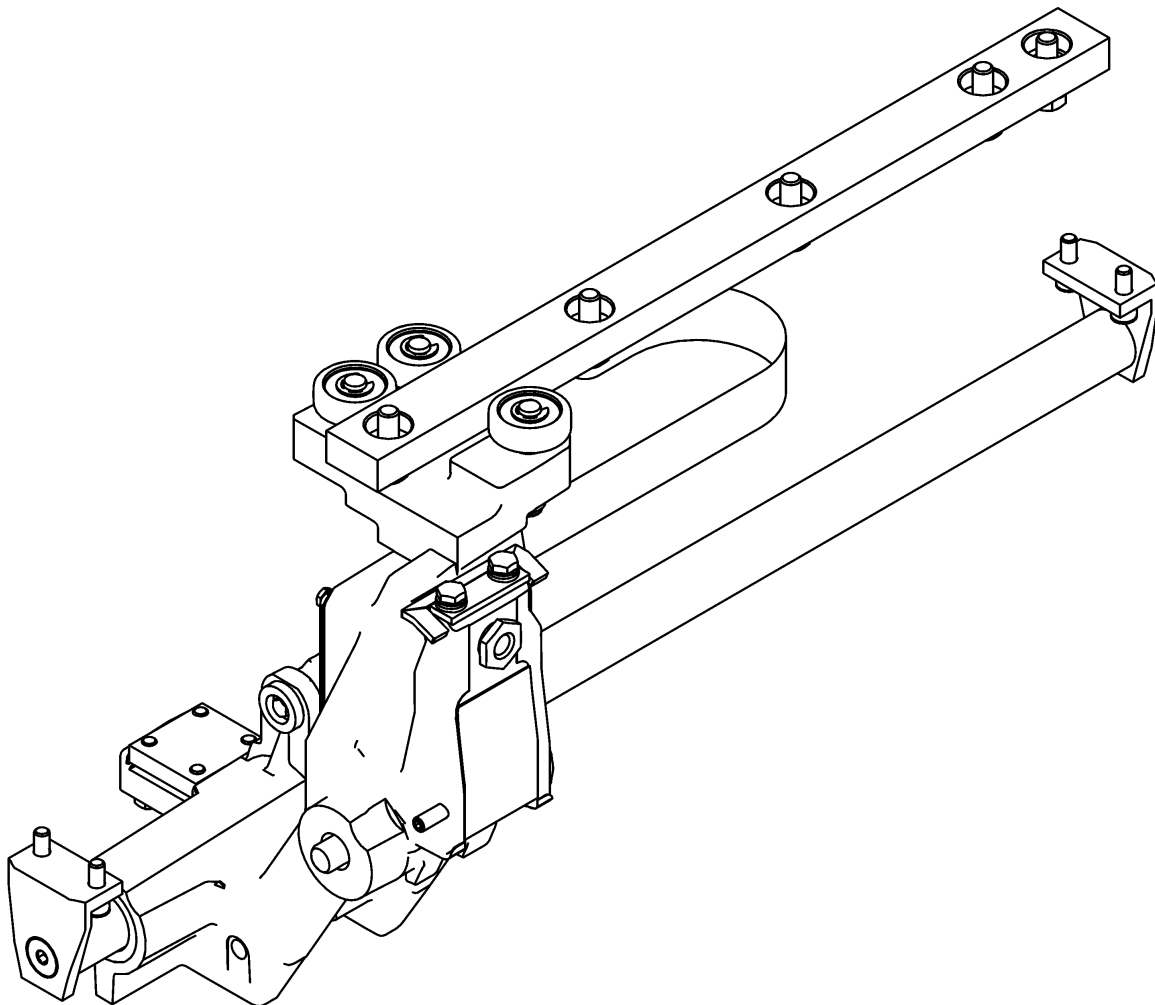
## Product Holder cpl. VSI

Material No.	Qty	Material description	available for order	Wear part	Recomm. sp. part	Metr. relevance
60540269601	1	product holder	✓			
60510200081	2	collar stud	✓			
60540269700	1	Side frame left	✓			
60540269800	1	Side frame right	✓			
38038982000	3	Gripper Shaft cpl.	✓			
38038989000	1	Gripper Shaft cpl.	✓			
60540269901	1	Gripper Shaft cpl	✓			
56086270000	1	Ball knob DIN319 M8x32 I	✓			
56243100000	5	Cylindrical pin EN 22338-3h11x10-A2	✓			
60510200037	5	Pinion	✓			
40510200086	2	Pressure spring	✓			
38071862000	2	brake pad	✓			
60540277600	4	self-tapping screw	✓			
38099356001	1	Holder preass.	✓			
60540270201	2	Cap nut M6	✓		✓	
95972950002	0,001	Loctite 243 50 ml	✓			
40530203201	1	push button	✓			
40530203302	1	sliding piece	✓	✓	✓	

## Carriage guide



**38134310000**



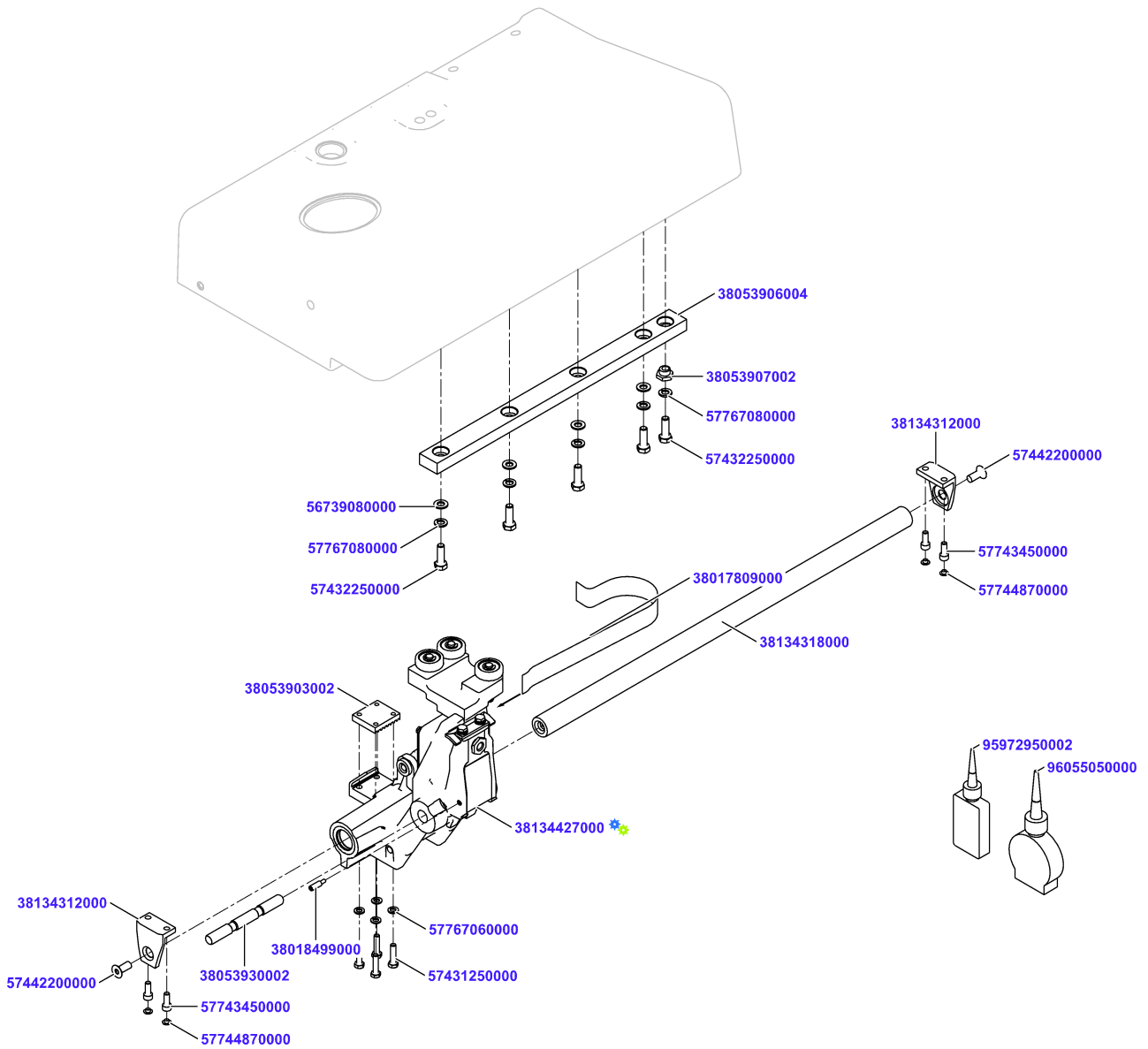
# Carriage guide

**Material No.**    **Qty**    **Material description**

[38134310000](#)    1    Carriage guide cpl.

available for order
Wear part
Recomm. sp. part
Metr. relevance

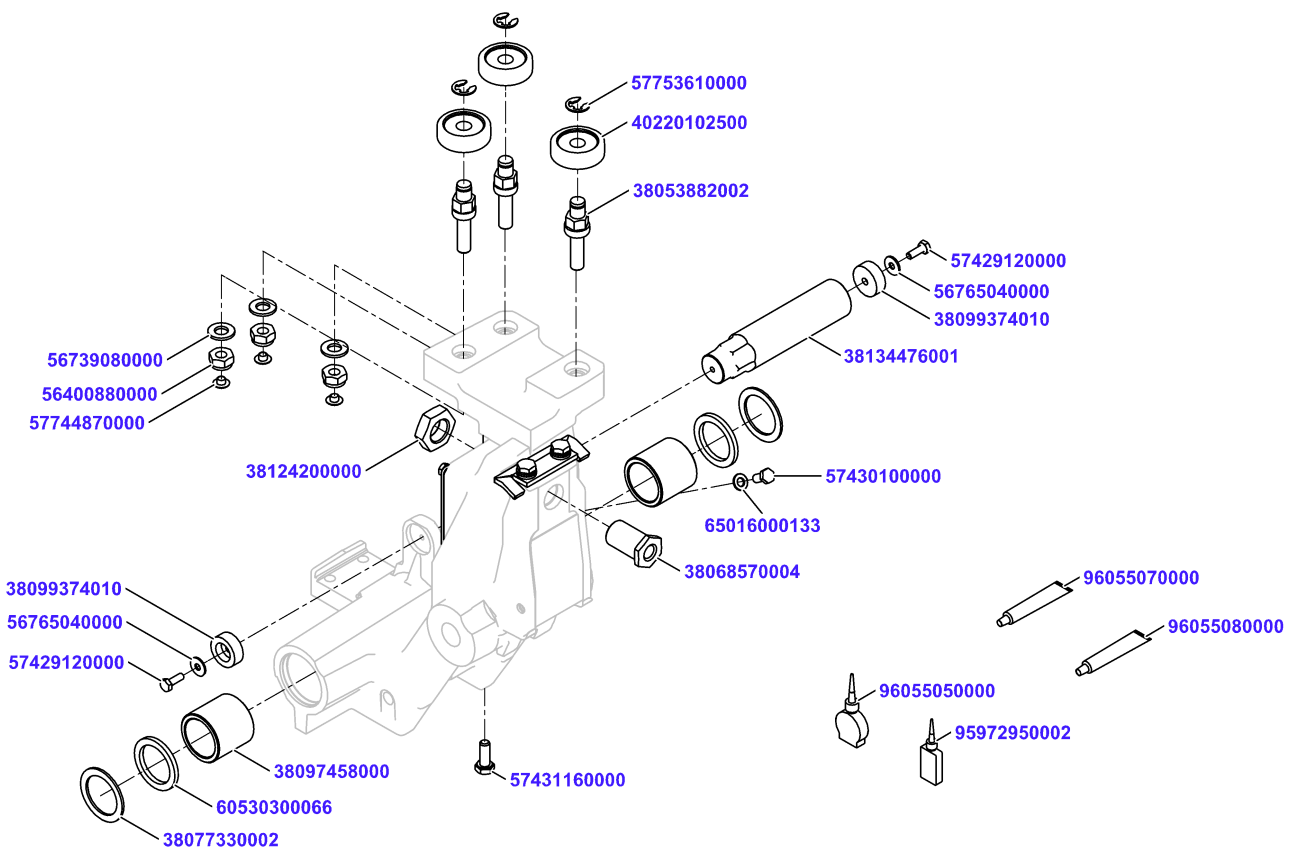
# Carriage guide cpl.



# Carriage guide cpl.

Material No.	Qty	Material description	available for order	Wear part	Recomm. sp. part	Metr. relevance
<a href="#">38053906004</a>	1	Guide rail 28 x 15 x 400	✓			
<a href="#">57432250000</a>	4	Hexagon screw DIN933 M8x25 A2-70	✓			
<a href="#">56739080000</a>	4	Washer DIN125-A-8-A2	✓			
<a href="#">57767080000</a>	4	Spring lock washer DIN128-A8-A2	✓			
<a href="#">38053907002</a>	1	eccentric	✓			
<a href="#">57432250000</a>	1	Hexagon screw DIN933 M8x25 A2-70	✓			
<a href="#">57767080000</a>	1	Spring lock washer DIN128-A8-A2	✓			
<a href="#">38134427000</a>	1	Carriage guide preass.	✓		✓	
<a href="#">38134318000</a>	1	Carriage shaft 25x585,5	✓			
<a href="#">38134312000</a>	2	Bearing block	✓			
<a href="#">57442200000</a>	2	Countersunk screw DIN7991 M8x20-A2-70	✓			
<a href="#">95972950002</a>	0,001	Loctite 243 50 ml	✓			
<a href="#">57743450000</a>	4	Cylinder screw DIN912 M6x16-A2-70	✓			
<a href="#">95972950002</a>	0,001	Loctite 243 50 ml	✓			
<a href="#">57744870000</a>	4	Protective plug 10x5,2x3,1-PE	✓		✓	
<a href="#">96055050000</a>	0,001	Lubricating Oil F.L.5 Oil UH1	✓			
<a href="#">38053903002</a>	1	Clamping Plug	✓			
<a href="#">57431250000</a>	4	Hexagon screw DIN933 M6x25 A2-70	✓			
<a href="#">57767060000</a>	4	Spring lock washer DIN128-A6-FSt	✓			
<a href="#">38053930002</a>	1	Shaft 12f7 x 115	✓			
<a href="#">95972950002</a>	0,001	Loctite 243 50 ml	✓			
<a href="#">38018499000</a>	1	Thread Bolt	✓			
<a href="#">95972950002</a>	0,001	Loctite 243 50 ml	✓			
<a href="#">38017809000</a>	1	Flexcable FFC 20pol 342mm	✓		✓	

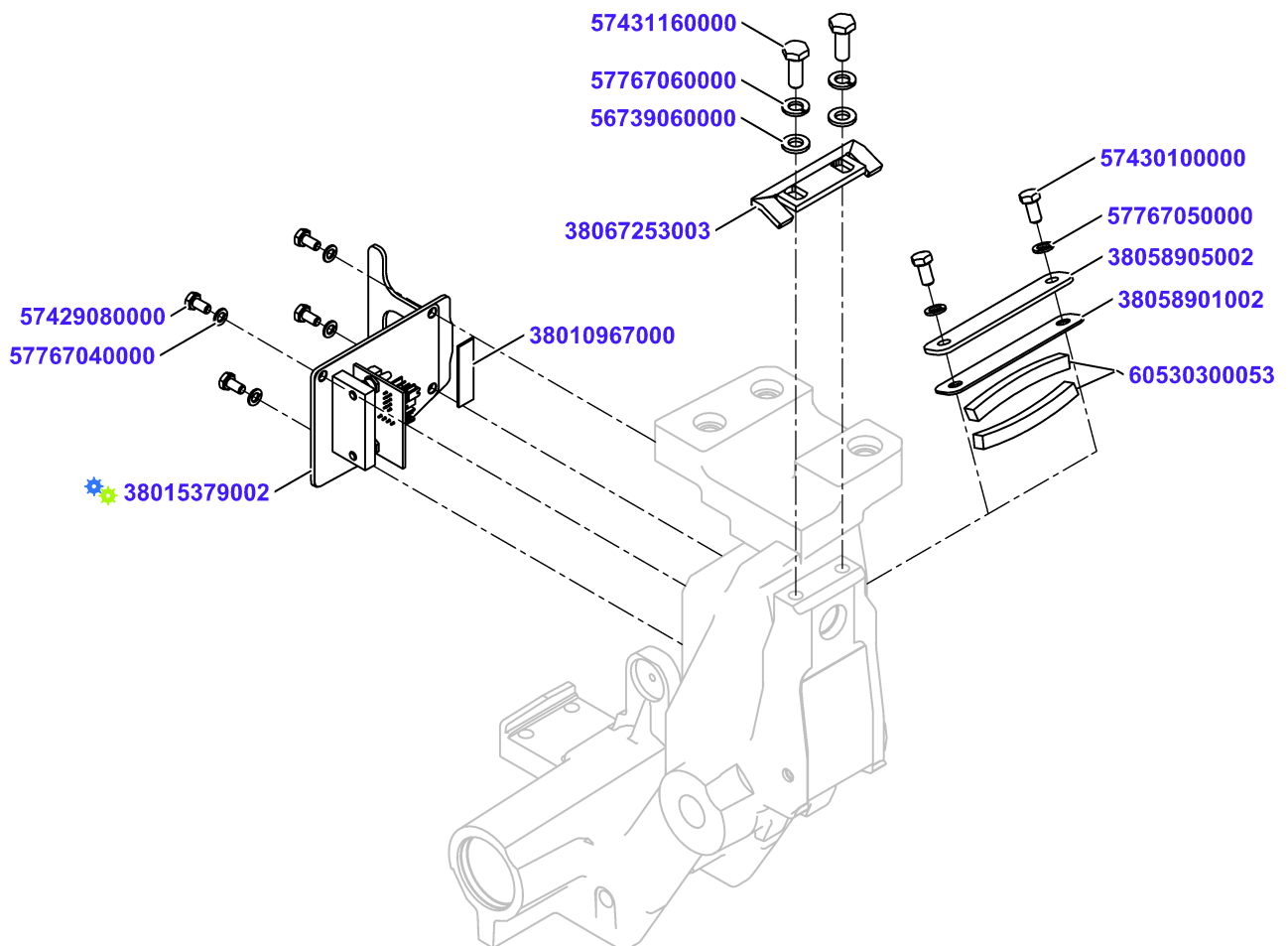
# Carriage guide preass.



# Carriage guide press.

Material No.	Qty	Material description	available for order	Wear part	Recomm. sp. part	Metr. relevance
38097458000	2	Plain bearing 25x32x30	✓			
60530300066	2	felt ring	✓			
96055050000	0,001	Lubricating Oil F.L.5 Oil UH1	✓			
38077330002	2	Cover disk 35f8x26x1,5	✓			
38053882002	1	Eccentric Bolt 15f8 x 48	✓			
56739080000	3	Washer DIN125-A-8-A2	✓			
56400880000	3	Lock nut DIN985-M8-A2	✓			
95972950002	0,001	Loctite 243 50 ml	✓			
57744870000	3	Protective plug 10x5,2x3,1-PE	✓		✓	
40220102500	3	roller	✓	✓		
96055080000	0,001	Kluebersynth UH1 64-62/25kg	✓			
57753610000	3	Retaining washer DIN6799-7	✓			
57431160000	2	Hexagon screw DIN933 M6x16 A2-70	✓			
96055070000	0,001	Grease PARALIQ GA 343	✓			
38068570004	1	Hexagon Screw M16xM10x30	✓			
38124200000	1	Hexagon nut DIN 439 B M16x1.5-A2	✓			
96055050000	0,001	Lubricating Oil F.L.5 Oil UH1	✓			
57430100000	3	Hexagon screw DIN933 M5x10 A2-70	✓			
65016000133	1	Washer 5-PA	✓			
96055050000	0,001	Lubricating Oil F.L.5 Oil UH1	✓			
38099374010	2	Rubber Buffer	✓			
57429120000	1	Hexagon screw DIN933 M4x12 A-70	✓			
56765040000	1	Washer DIN9021-4-A2	✓			
95972950002	0,001	Loctite 243 50 ml	✓			
57429120000	1	Hexagon screw DIN933 M4x12 A-70	✓			
56765040000	1	Washer DIN9021-4-A2	✓			
95972950002	0,001	Loctite 243 50 ml	✓			
38134476001	1	Distance bolt	✓			
57431160000	1	Hexagon screw DIN933 M6x16 A2-70	✓			
95972950002	0,001	Loctite 243 50 ml	✓			

# Carriage guide preass.



## Carriage guide preass.

Material No.	Qty	Material description	available for order	Wear part	Recomm. sp. part	Metr. relevance
<a href="#">38015379002</a>	1	Cover preass.	✓			
<a href="#">38010967000</a>	1	Sealing	✓		✓	
<a href="#">57429080000</a>	4	Hexagon screw DIN933 M4x8 A2-70	✓			
<a href="#">57767040000</a>	4	Spring lock washer DIN128-A4-FSt	✓			
<a href="#">38067253003</a>	1	Stop	✓			
<a href="#">57431160000</a>	2	Hexagon screw DIN933 M6x16 A2-70	✓			
<a href="#">56739060000</a>	2	Washer DIN125-A-6-A2	✓			
<a href="#">57767060000</a>	2	Spring lock washer DIN128-A6-FSt	✓			
<a href="#">60530300053</a>	2	lubricating felt	✓			
<a href="#">38058901002</a>	1	Sealing	✓		✓	
<a href="#">38058905002</a>	1	Cover	✓			
<a href="#">57430100000</a>	3	Hexagon screw DIN933 M5x10 A2-70	✓			
<a href="#">57767050000</a>	2	Spring lock washer DIN128-A5-FSt	✓			
<a href="#">57431160000</a>	1	Hexagon screw DIN933 M6x16 A2-70	✓			

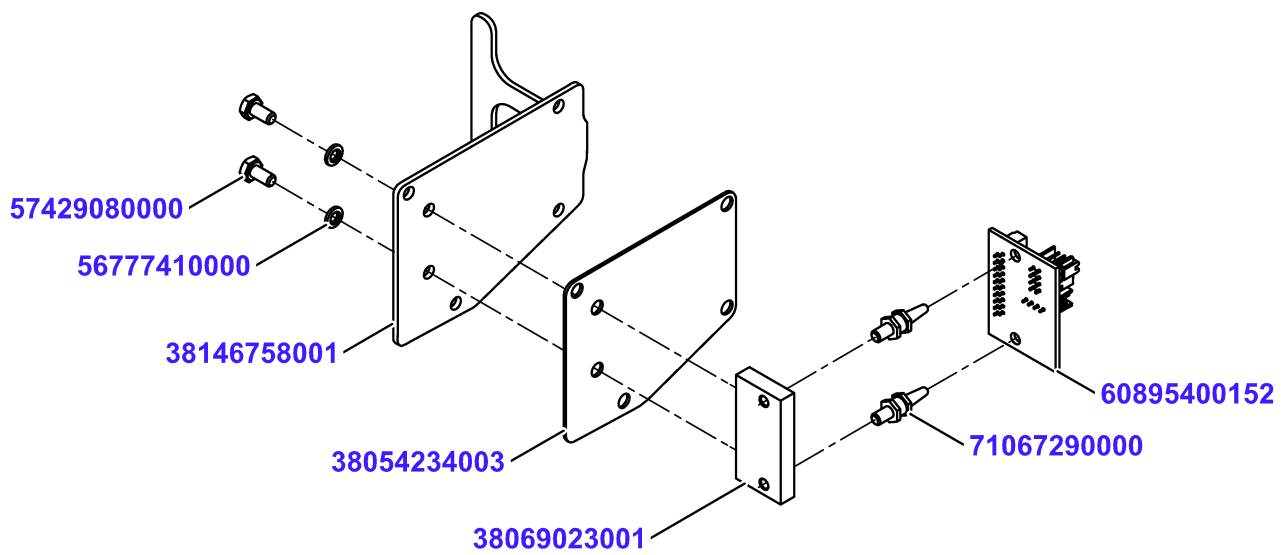
## **Carriage guide preass.**

# Carriage guide preass.

Material No.	Qty	Material description
<a href="#">38053881002</a>	2	Bolt 14f8 x 48

	available for order	Wear part	Recomm. sp. part	Metr. relevance
---	---------------------	-----------	------------------	-----------------

## Cover preass.

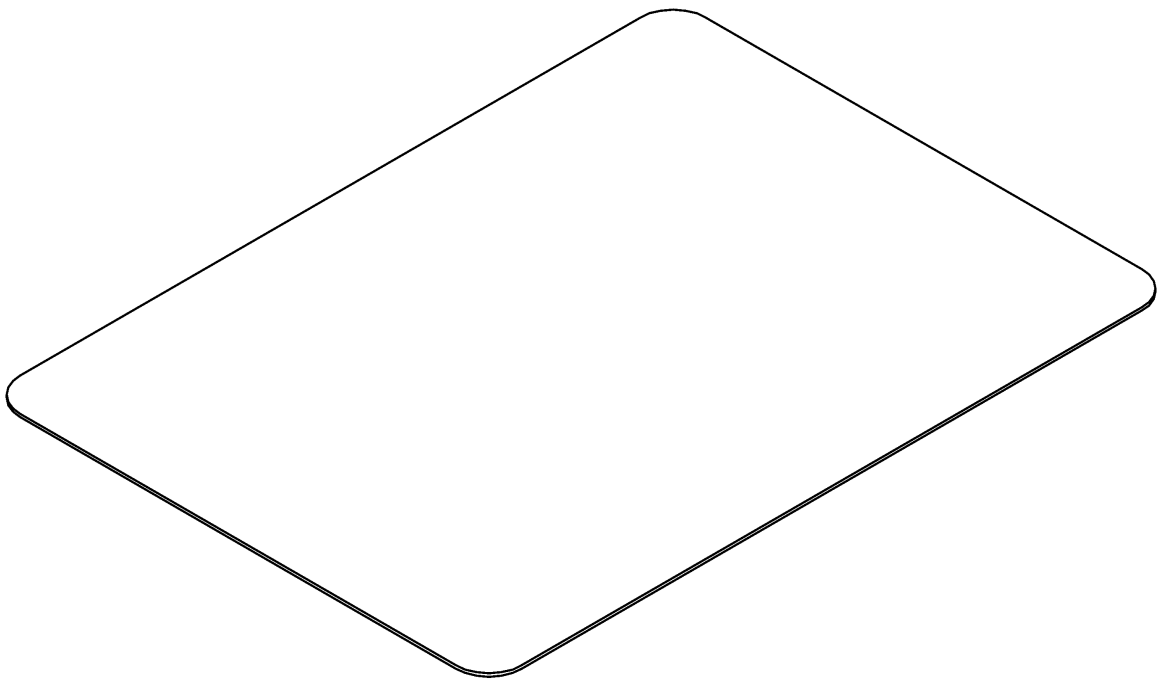


## Cover preass.


Material No.	Qty	Material description	available for order	Wear part	Recomm. sp. part	Metr. relevance
<a href="#">38146758001</a>	1	Cover bracket	✓			
<a href="#">38054234003</a>	1	Sealing	✓		✓	
<a href="#">38069023001</a>	1	Holding Block	✓			
<a href="#">57429080000</a>	2	Hexagon screw DIN933 M4x8 A2-70	✓			
<a href="#">56777410000</a>	2	Screw seal M4	✓		✓	
<a href="#">71067290000</a>	2	Spacer 6.4 LPR 8520-M4	✓			
<a href="#">60895400152</a>	1	PCBA Intermediate Board 1	✓			

# Table

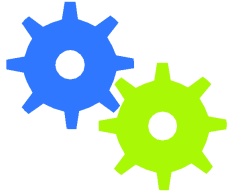
**60540400900**



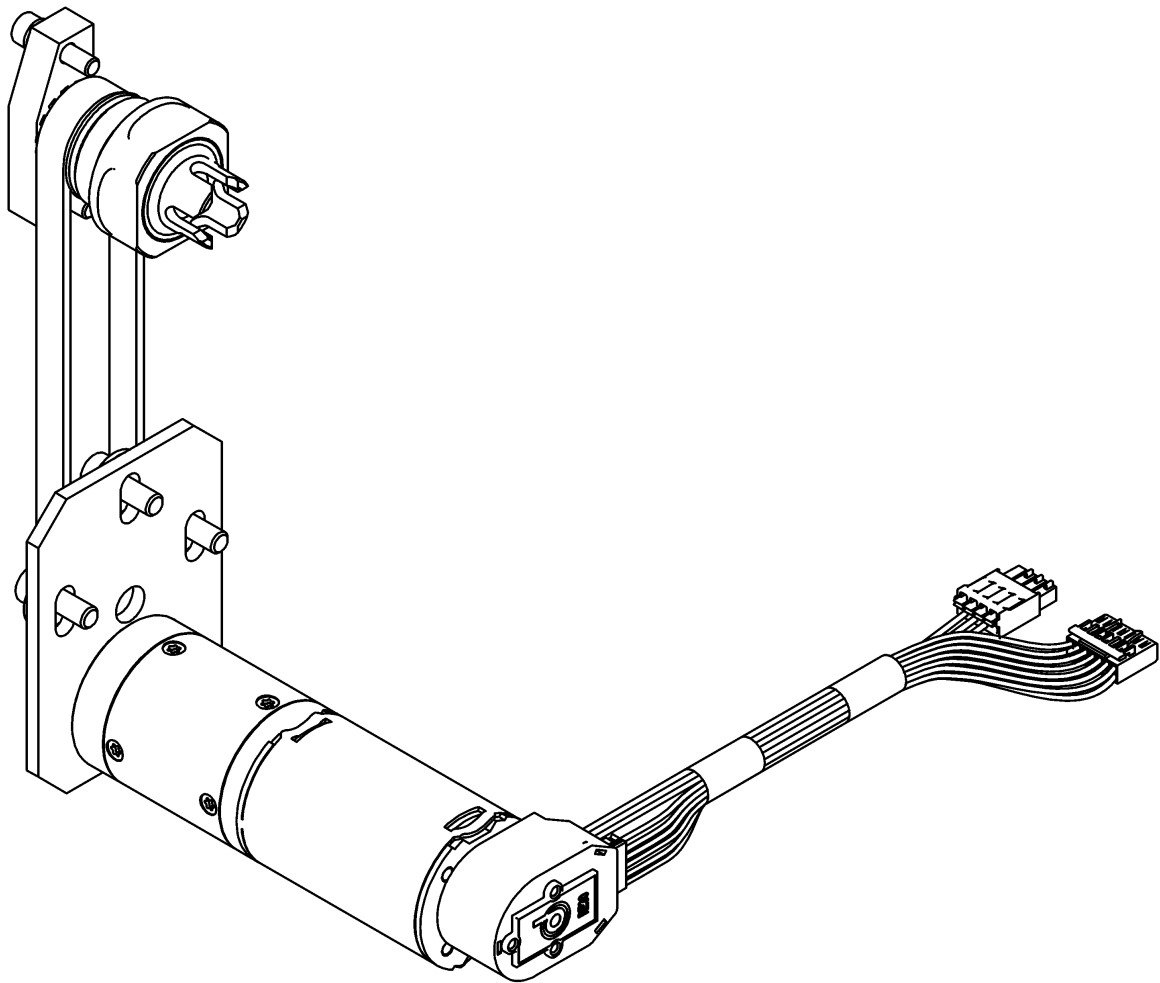
# Table

Material No.	Qty	Material description	available for order	Wear part	Recomm. sp. part	Metr. relevance
60540400900	1	Depositing plate				

## Conveyor belt drive



**38055775001**

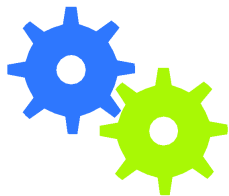


# Conveyor belt drive

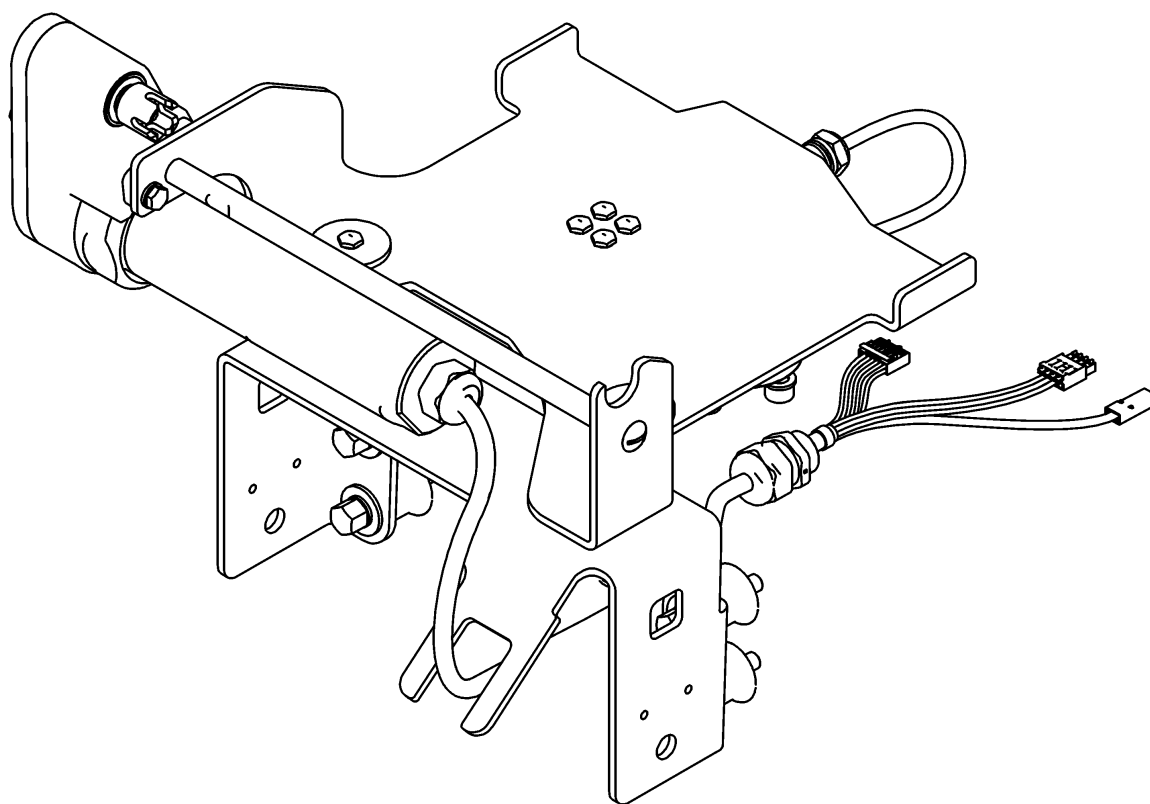
Material No.	Qty	Material description
<a href="#">38055775001</a>	1	Conveyor Drive internal cpl.

available for order
Wear part
Recomm. sp. part
Metr. relevance

## Conveyor belt drive



**38058899005**

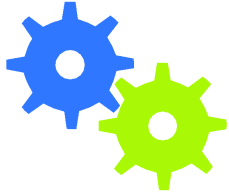


**from device-no. 11432705**

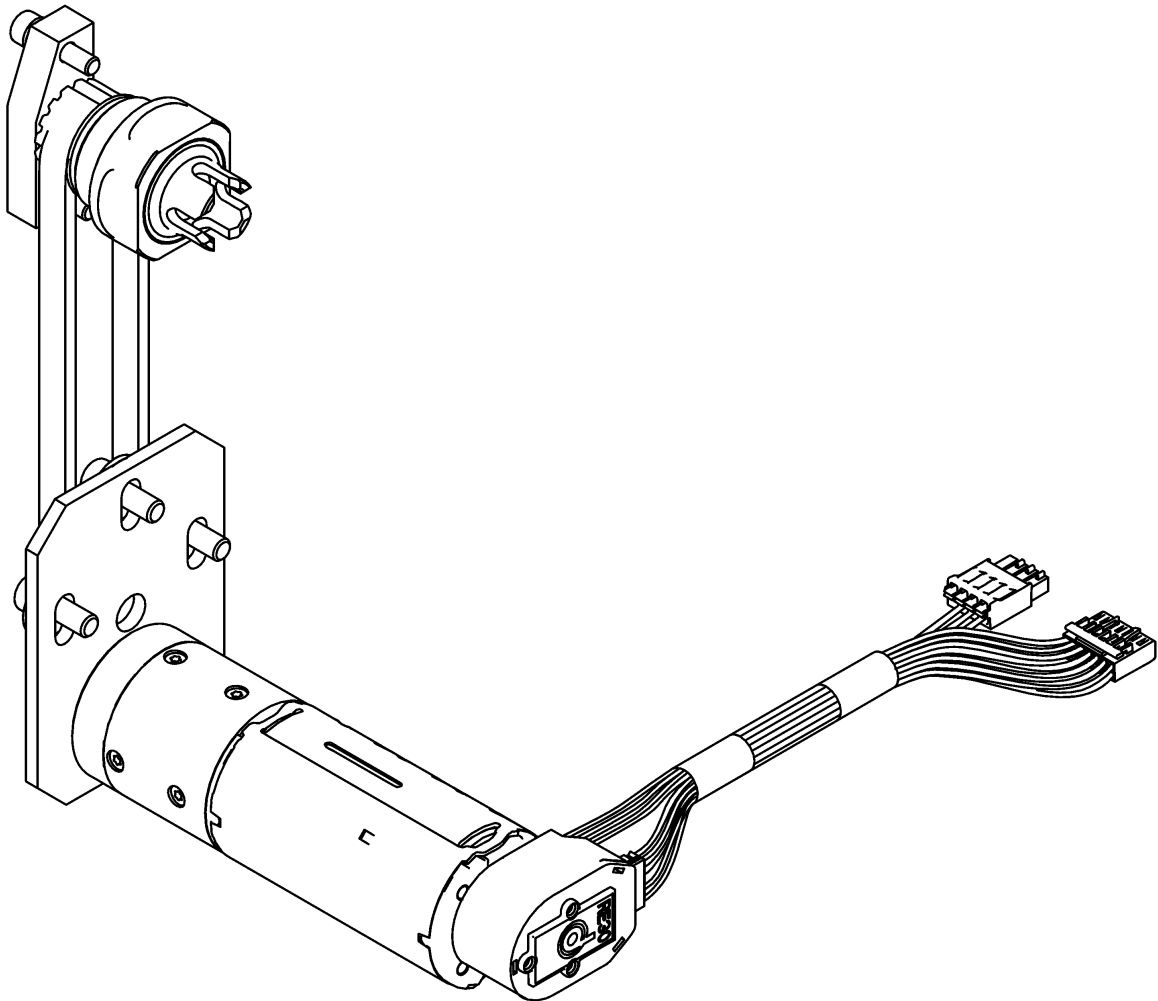
# Conveyor belt drive

Material No.	Qty	Material description	available for order	Wear part	Recomm. sp. part	Metr. relevance
<a href="#">38058899005</a>	1	Mounting Conveyor Scale cpl				

## Conveyor belt drive



**3811280000**

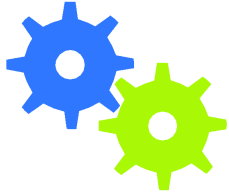


# Conveyor belt drive

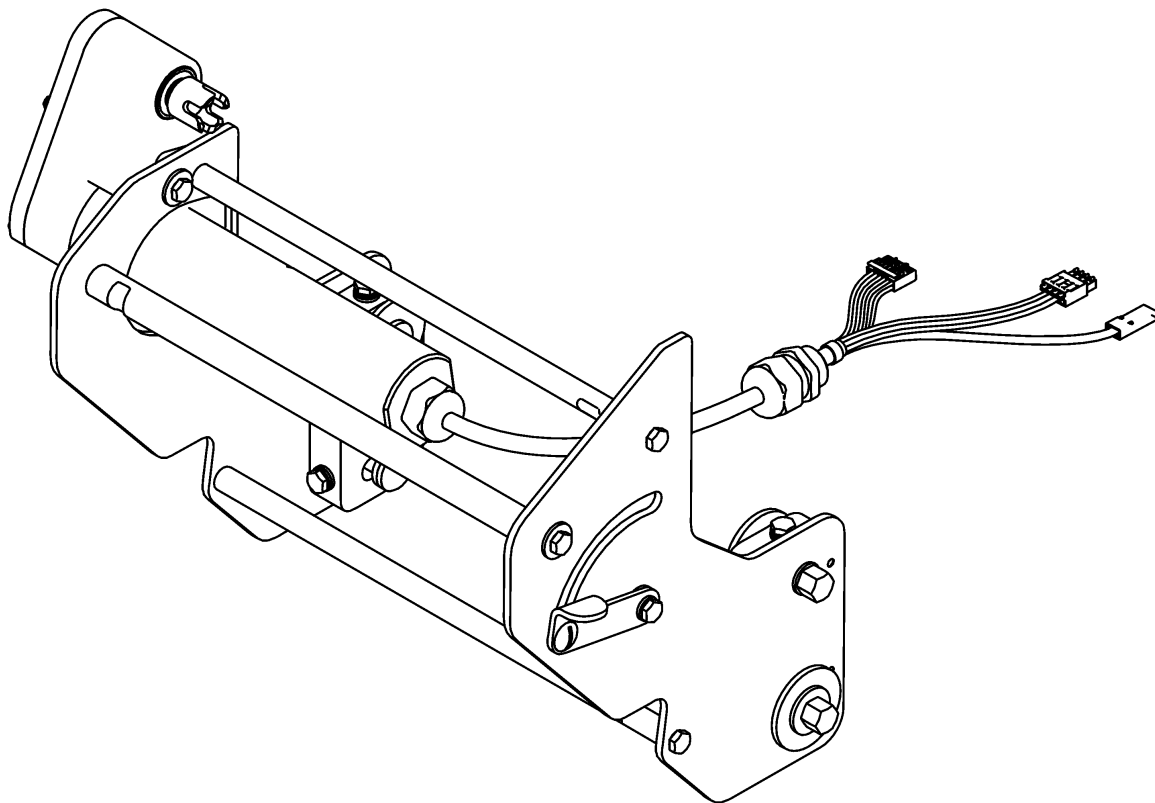
Material No.	Qty	Material description
<a href="#">38112800000</a>	1	Conveyor Drive internal 3,5Nm cpl

available for order
Wear part
Recomm. sp. part
Metr. relevance

## Conveyor belt drive



**38116663000**



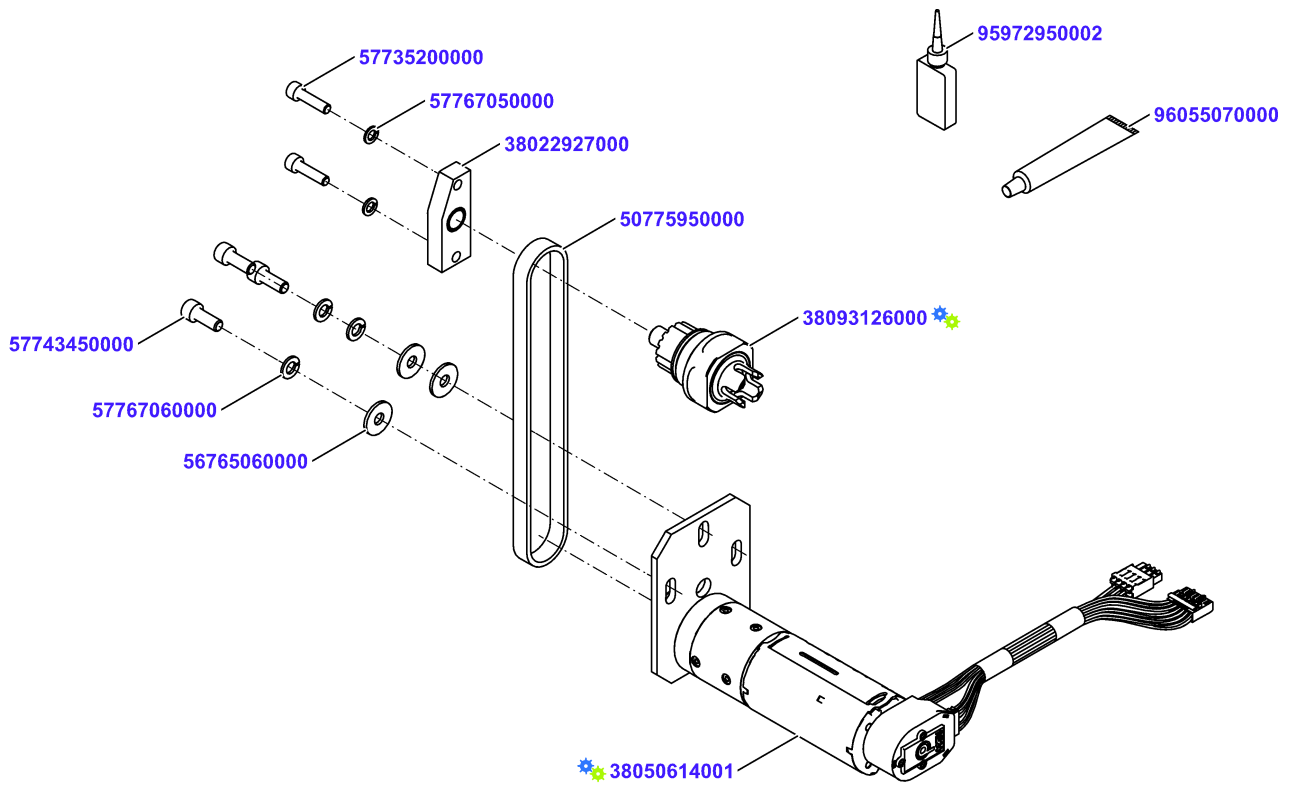
**as from 11724277**

# Conveyor belt drive

Material No.	Qty	Material description
<a href="#">38116663000</a>	1	Mounting Conveyor cpl

available for order
Wear part
Recomm. sp. part
Metr. relevance

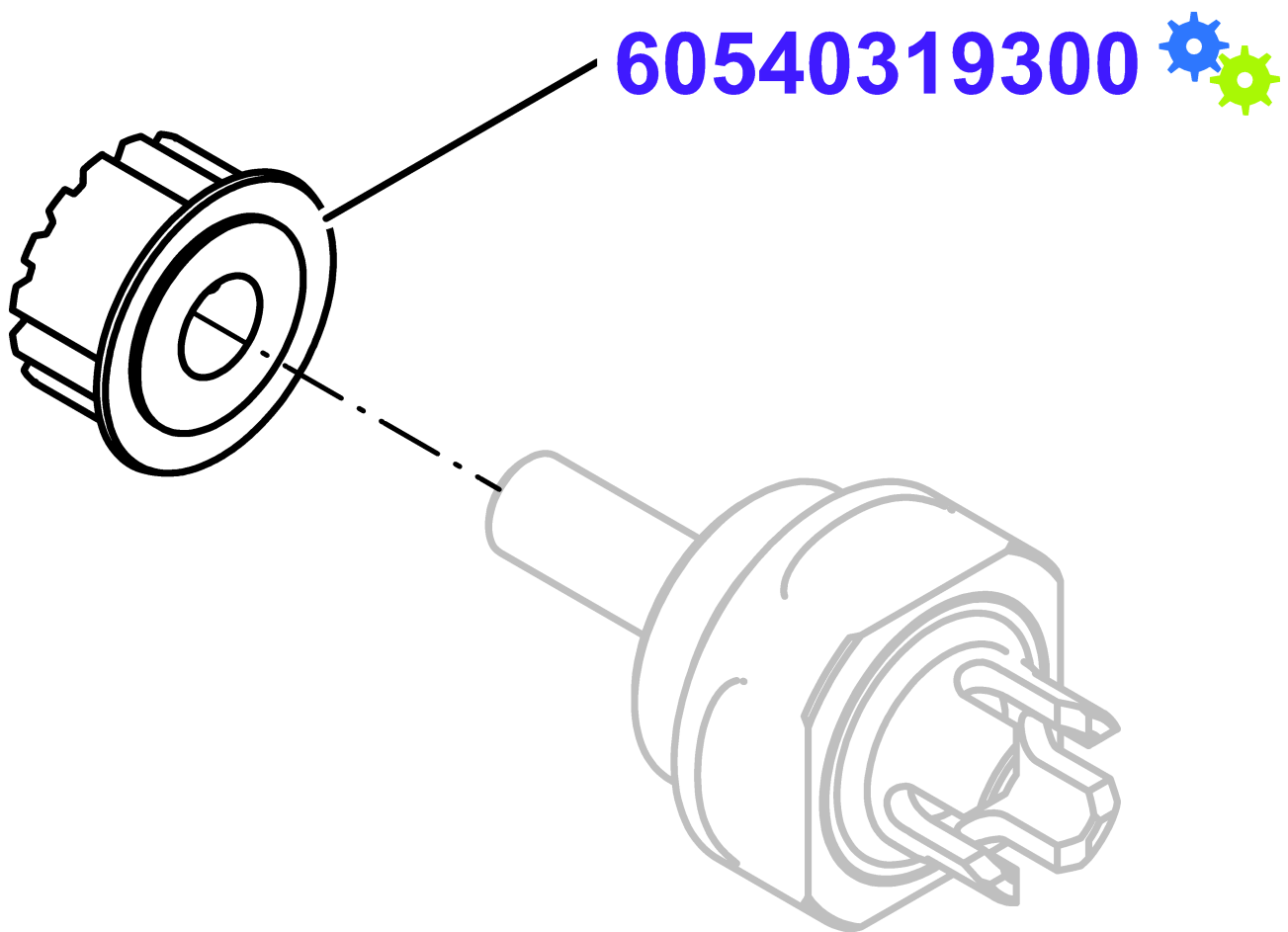
# Conveyor Drive internal cpl.



## Conveyor Drive internal cpl.

Material No.	Qty	Material description	available for order	Wear part	Recomm. sp. part	Metr. relevance
<a href="#">38093126000</a>	1	Bushing preass with Belt Pulley	✓		✓	
<a href="#">95972950002</a>	0,001	Loctite 243 50 ml	✓			
<a href="#">50775950000</a>	1	Toothed Belt 160XL-037	✓	✓	✓	
<a href="#">38022927000</a>	1	Supporting Plate preass	✓			
<a href="#">96055070000</a>	0,001	Grease PARALIQ GA 343	✓			
<a href="#">57735200000</a>	2	Cylinder screw DIN912 M5x20-8.8	✓			
<a href="#">57767050000</a>	2	Spring lock washer DIN128-A5-FSt	✓			
<a href="#">38050614001</a>	1	Motor Plate cpl	✓			
<a href="#">57743450000</a>	3	Cylinder screw DIN912 M6x16-A2-70	✓			
<a href="#">56765060000</a>	3	Washer DIN9021-6-A2	✓			
<a href="#">57767060000</a>	3	Spring lock washer DIN128-A6-FSt	✓			

# Bushing preass with Belt Pulley



## Bushing preass with Belt Pulley

Material No.	Qty	Material description
<a href="#">60540319300</a>	1	toothed belt pulley compl.

available for order

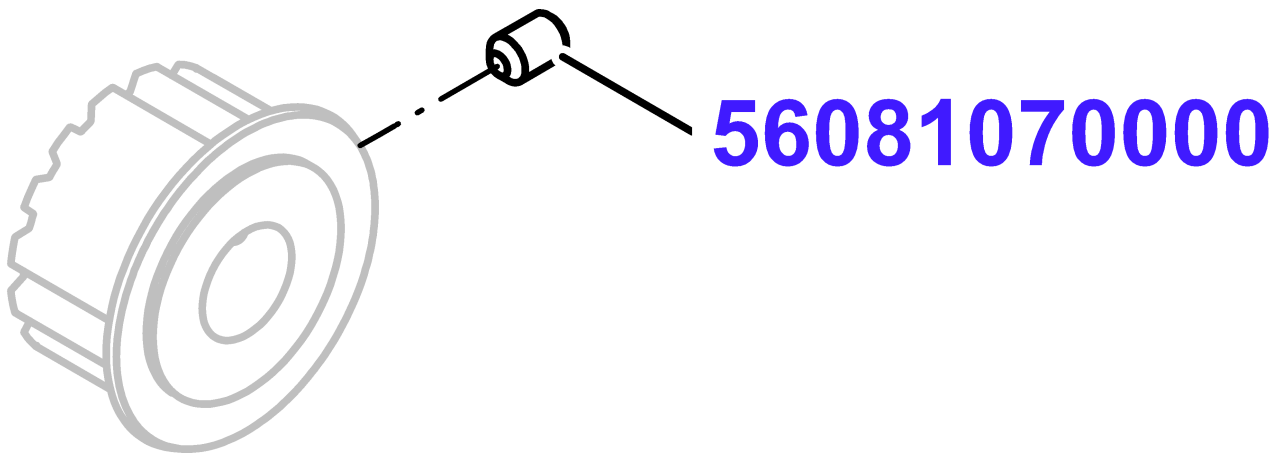
Wear part

Recomm. sp. part

Metr. relevance



## toothed belt pulley compl.



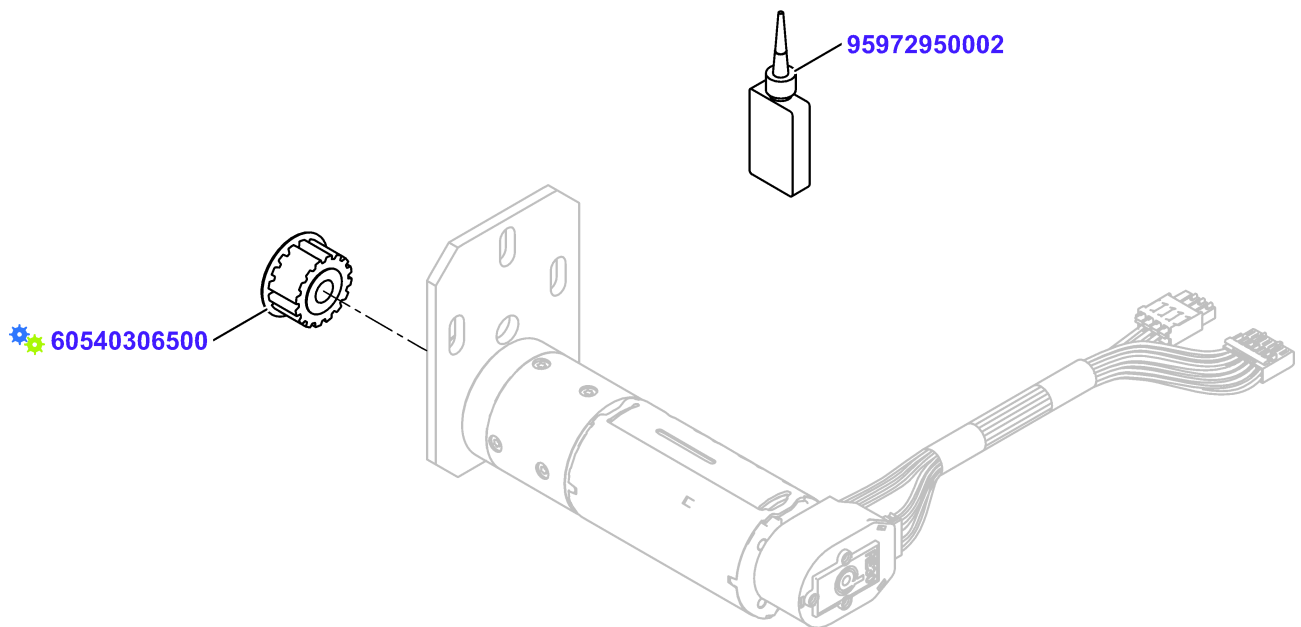
# toothed belt pulley compl.

Material No.	Qty	Material description
<a href="#">56081070000</a>	1	Set screw DIN916 M4x6-A2-70

available for order
Wear part
Recomm. sp. part
Metr. relevance



# Motor Plate cpl

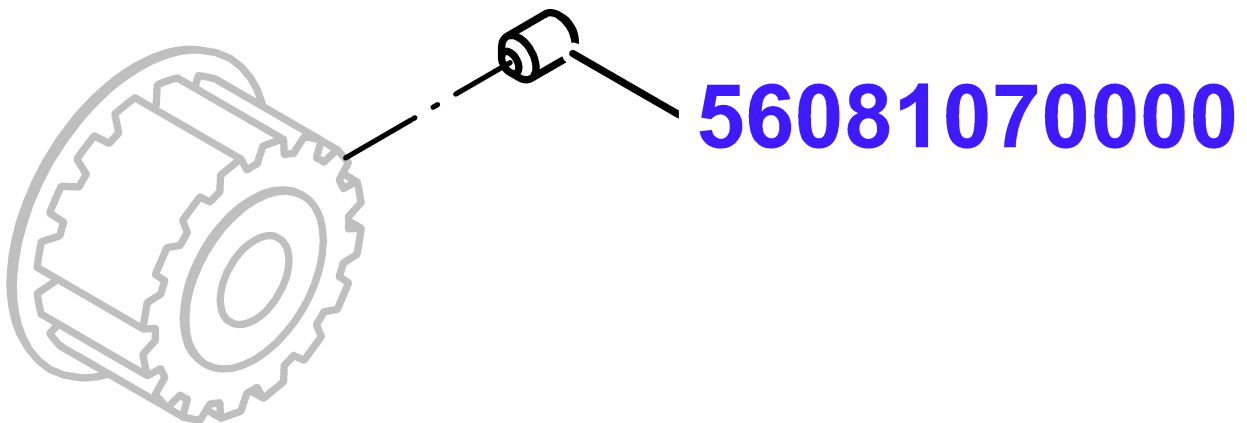


# Motor Plate cpl

Material No.	Qty	Material description
<a href="#">60540306500</a>	1	toothed belt pulley compl.
<a href="#">95972950002</a>	0,001	Loctite 243 50 ml

available for order
Wear part
Recomm. sp. part
Metr. relevance

## toothed belt pulley compl.



## toothed belt pulley compl.

Material No.	Qty	Material description
<a href="#">56081070000</a>	1	Set screw DIN916 M4x6-A2-70

available for order

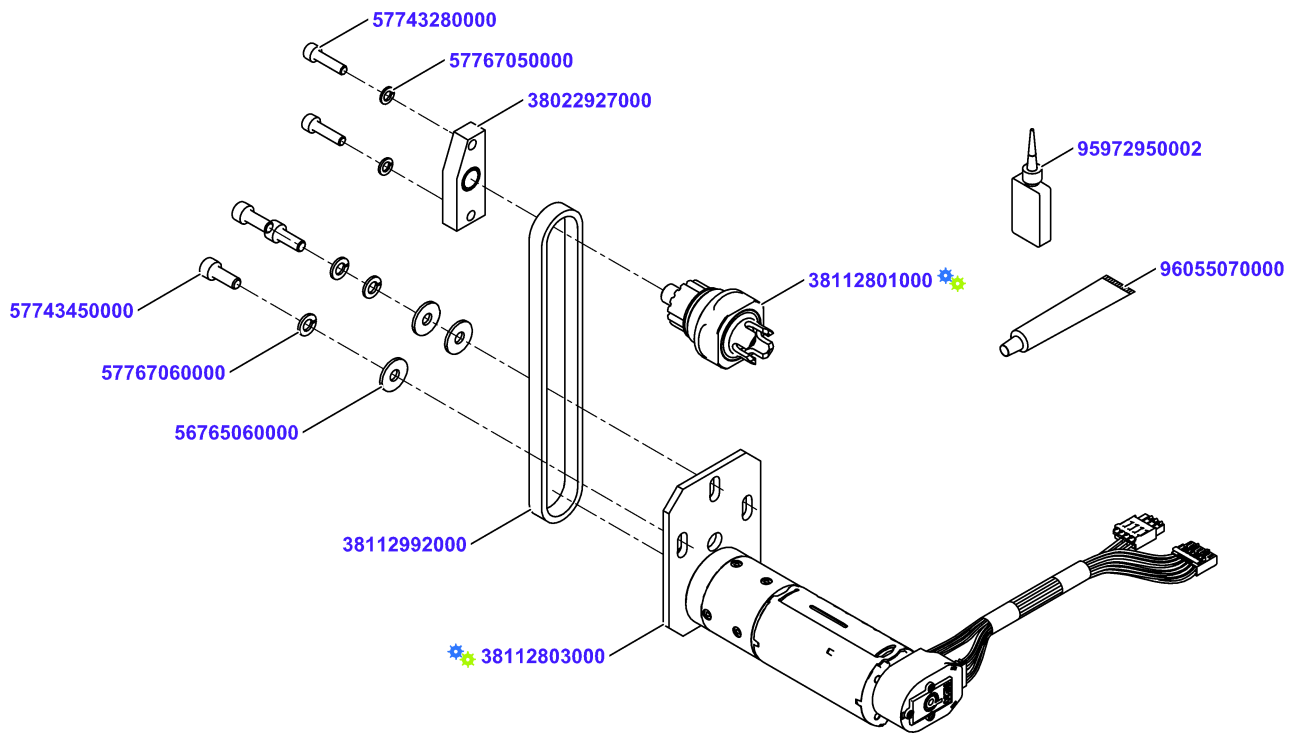
Wear part

Recomm. sp. part

Metr. relevance



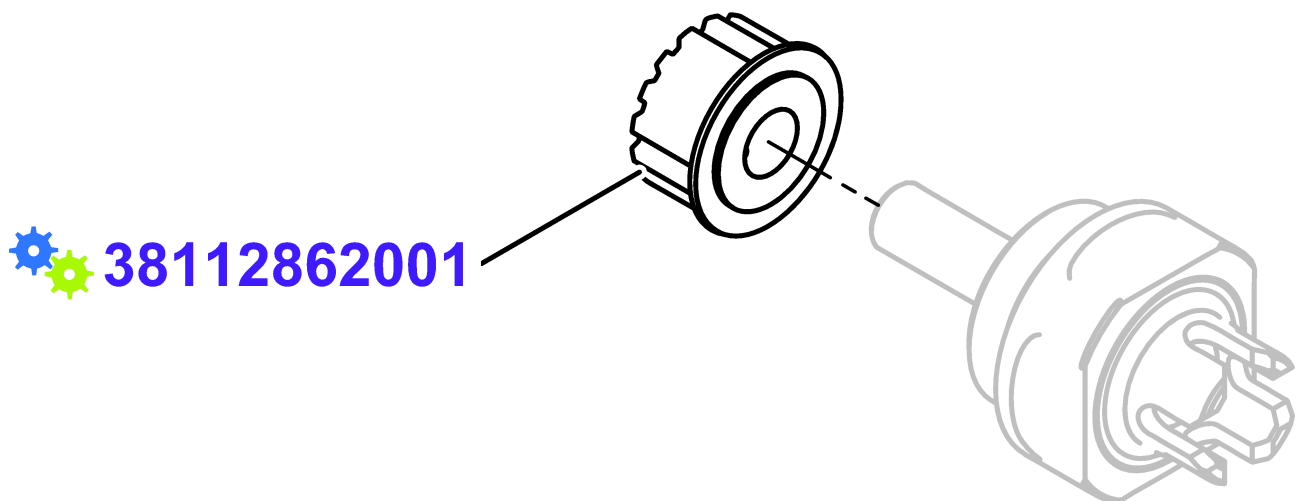
# Conveyor Drive internal 3,5Nm cpl



## Conveyor Drive internal 3,5Nm cpl

Material No.	Qty	Material description	available for order	Wear part	Recomm. sp. part	Metr. relevance
<a href="#">38112801000</a>	1	Drive shaft with Belt Pulley S5M	✓		✓	
<a href="#">95972950002</a>	0,001	Loctite 243 50 ml	✓			
<a href="#">38022927000</a>	1	Supporting Plate preass	✓			
<a href="#">96055070000</a>	0,001	Grease PARALIQ GA 343	✓			
<a href="#">38112992000</a>	1	Toothed belt 9 S5M5x400	✓			
<a href="#">38112803000</a>	1	Motor Plate 3,5 Nm cpl	✓			
<a href="#">57743450000</a>	3	Cylinder screw DIN912 M6x16-A2-70	✓			
<a href="#">56765060000</a>	3	Washer DIN9021-6-A2	✓			
<a href="#">57767060000</a>	3	Spring lock washer DIN128-A6-FSt	✓			
<a href="#">57743280000</a>	2	Cylinder screw DIN912 M5x20-A2-70	✓			
<a href="#">57767050000</a>	2	Spring lock washer DIN128-A5-FSt	✓			

## Drive shaft with Belt Pulley S5M

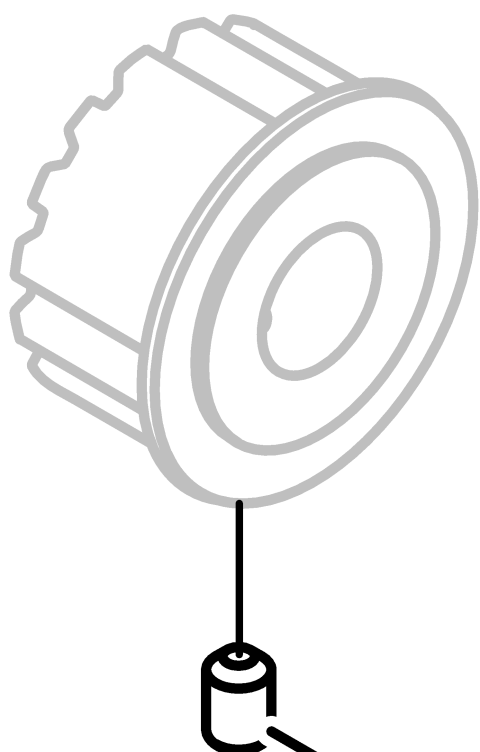


## Drive shaft with Belt Pulley S5M

available for order
Wear part
Recomm. sp. part
Metr. relevance

Material No.	Qty	Material description
<a href="#">38112862001</a>	1	Toothed belt pulley S5M Z16 10H7

# Toothed belt pulley S5M Z16 10H7



**56081070000**

# Toothed belt pulley S5M Z16 10H7

Material No.	Qty	Material description
<a href="#">56081070000</a>	1	Set screw DIN916 M4x6-A2-70

available for order

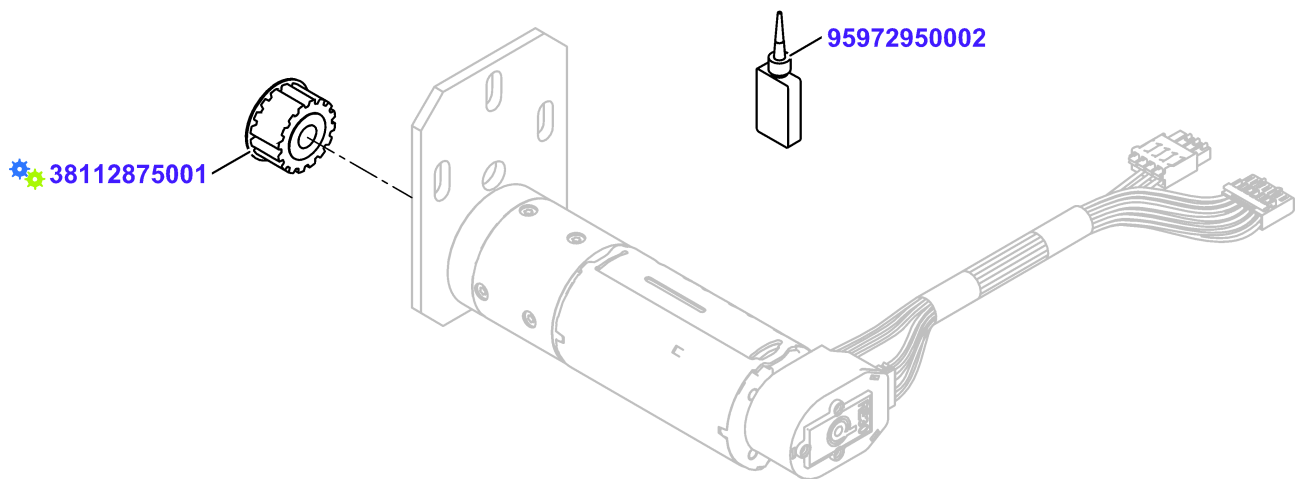
Wear part

Recomm. sp. part

Metr. relevance



## Motor Plate 3,5 Nm cpl

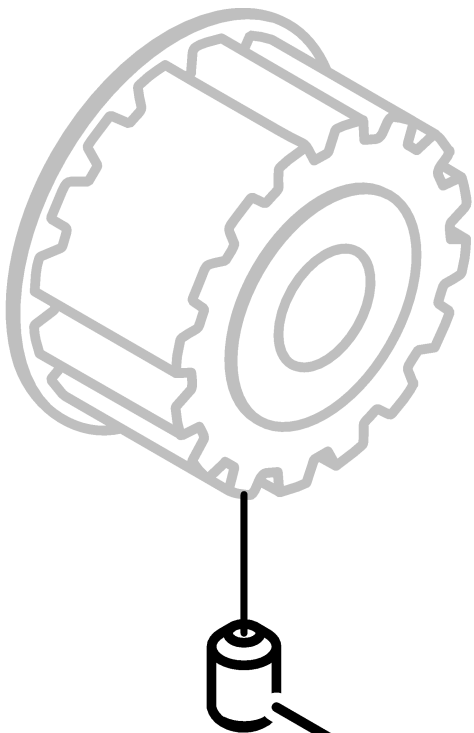


# Motor Plate 3,5 Nm cpl

Material No.	Qty	Material description
<a href="#">38112875001</a>	1	Toothed belt pulley S5M Z16 8G7
<a href="#">95972950002</a>	0,001	Loctite 243 50 ml

available for order
Wear part
Recomm. sp. part
Metr. relevance

## Toothed belt pulley S5M Z16 8G7



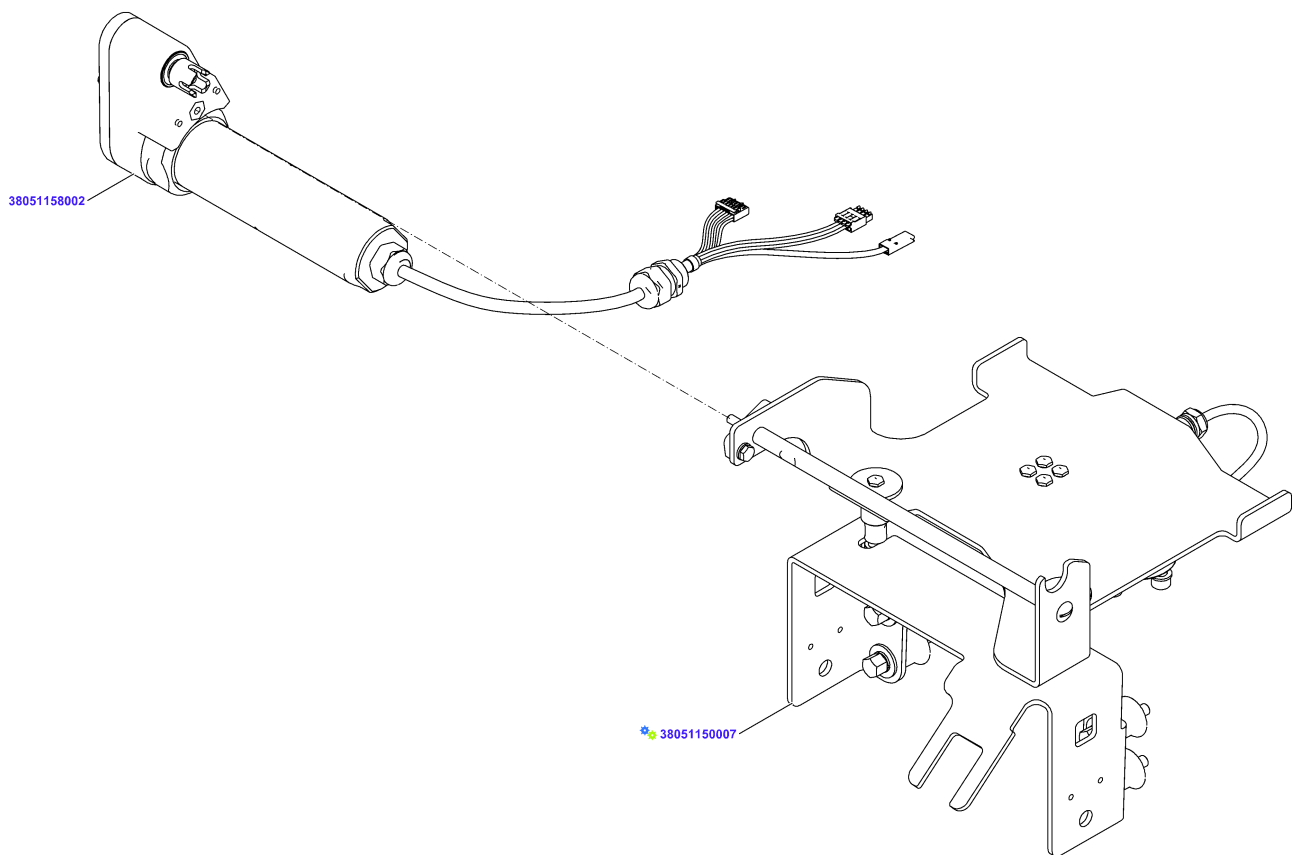
**56081070000**

# Toothed belt pulley S5M Z16 8G7

Material No.	Qty	Material description
<a href="#">56081070000</a>	1	Set screw DIN916 M4x6-A2-70

available for order
Wear part
Recomm. sp. part
Metr. relevance

# Mounting Conveyor Scale cpl

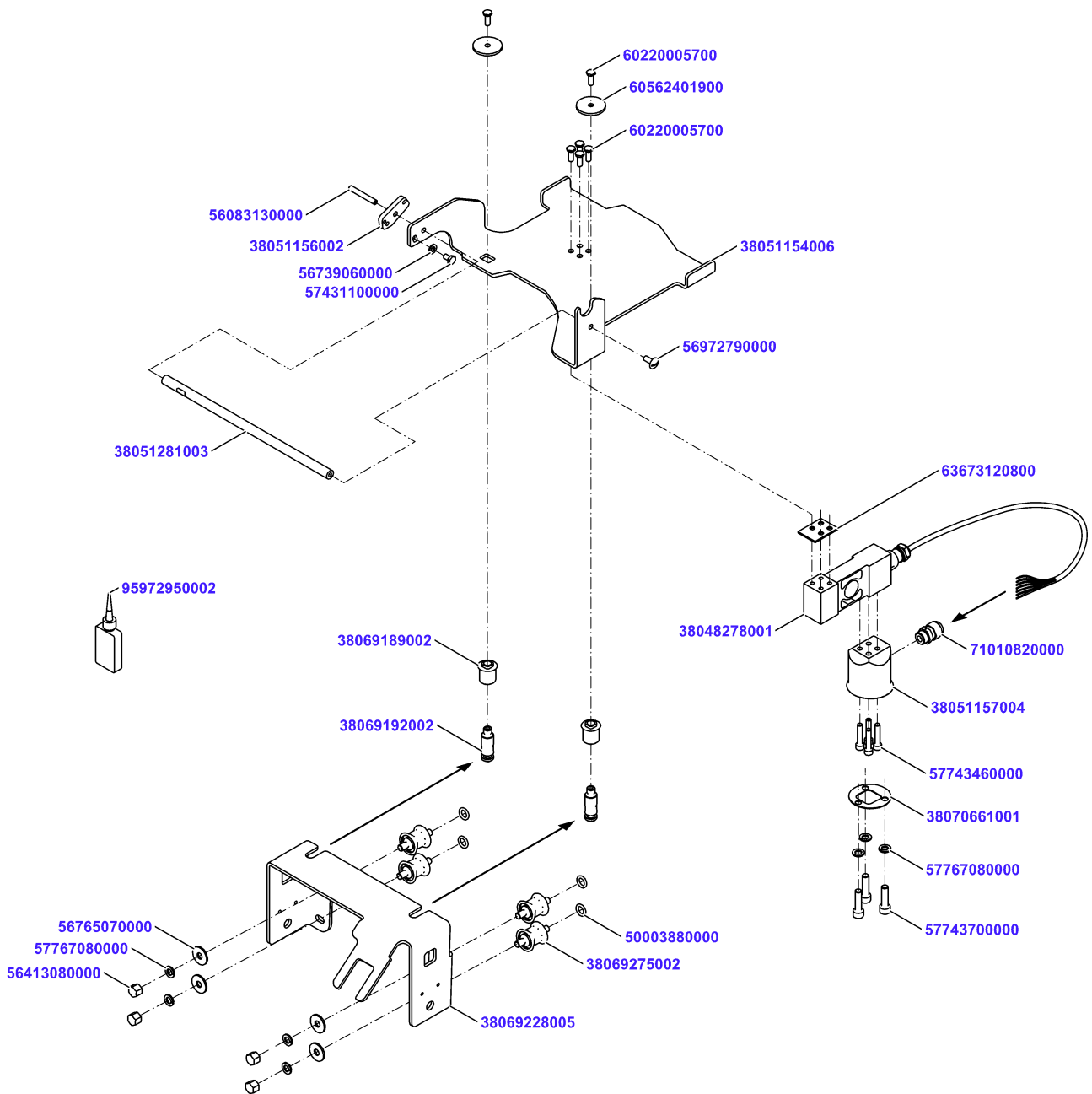


# Mounting Conveyor Scale cpl

Material No.	Qty	Material description
38051150007	1	Conveyor Scale prem
38051158002	1	Drive Part cpl

available for order
Wear part
Recomm. sp. part
Metr. relevance

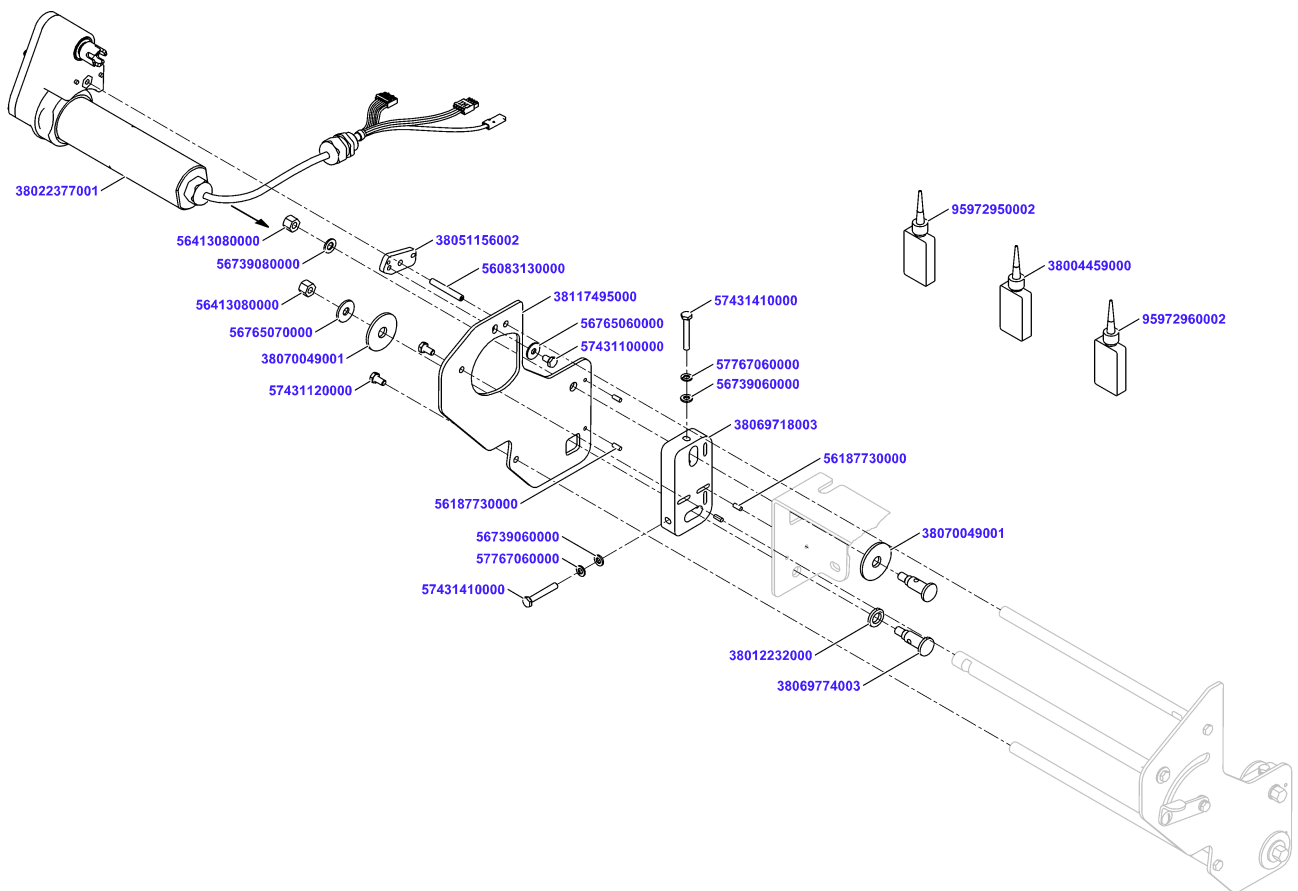
# Conveyor Scale prem



# Conveyor Scale prem

Material No.	Qty	Material description	available for order	Wear part	Recomm. sp. part	Metr. relevance
38048278001	1	weighing cell with cable 1,30m	✓		✓	
71010820000	1	Cable Gland M16 UL 53111010	✓			
38051157004	1	Distance	✓			
38070661001	1	Sealing	✓		✓	
57743460000	4	Cylinder screw DIN912 M6x30-A2-70	✓			
95972950002	5	Loctite 243 50 ml	✓			
38051154006	1	Carrier Sheet Metal	✓			
63673120800	1	SPACER BOTTOM/TOP	✓			
60220005700	6	hexagon screw oval-head M 6x16	✓			
38051281003	1	Axis	✓			
56083130000	1	Set screw ISO4026 M6x45-A2-70	✓			
38051156002	1	Spacer	✓			
57431100000	1	Hexagon screw DIN933 M6x10 A2-70	✓			
56739060000	1	Washer DIN125-A-6-A2	✓			
56972790000	1	Mushroom head screw M6x16-A2-70	✓			
38069189002	2	Bushing	✓			
38069192002	2	Bolt	✓			
60562401900	2	Washer 36x6,5x3	✓			
57743700000	3	Cylinder screw DIN912 M8x30-A2-70	✓			
57767080000	3	Spring lock washer DIN128-A8-A2	✓			
38069228005	1	Mounting Plate	✓			
38069275002	4	Distance M8	✓			
50003880000	4	O-ring 16x3 EPDM	✓			
56413080000	4	Cap nut DIN917-M8-A2	✓			
56765070000	4	Washer DIN 9021-8-A2	✓			
57767080000	4	Spring lock washer DIN128-A8-A2	✓			

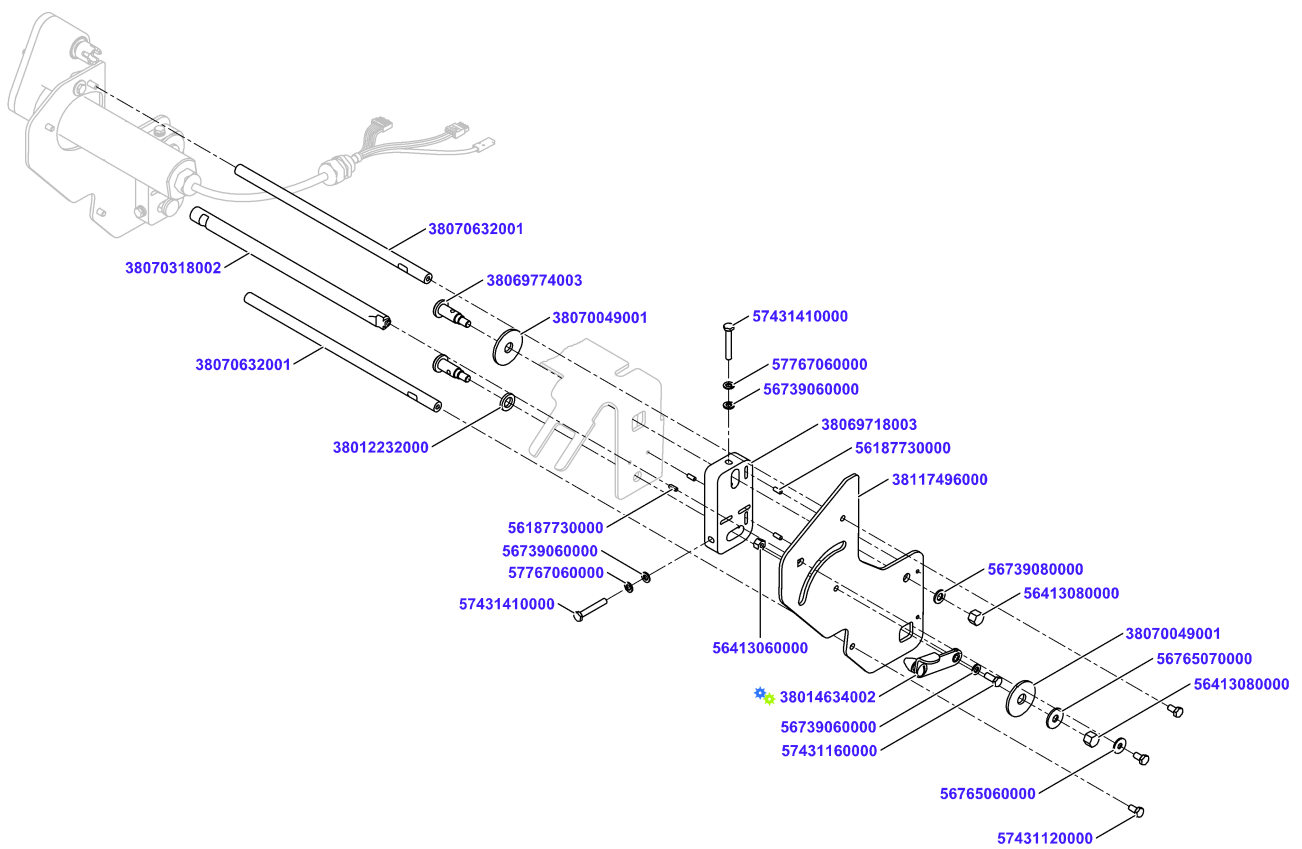
# Mounting Conveyor cpl



# Mounting Conveyor cpl

Material No.	Qty	Material description	available for order	Wear part	Recomm. sp. part	Metr. relevance
38117495000	1	Mounting 246 x 219 x 4	✓			
56187730000	4	Cylindrical pin EN 22338-4m6x10-A2	✓			
38004459000	0,001	Loctite 648	✓			
95972960002	0,001	Loctite 7649 500ml	✓			
38069718003	2	Plate 107x54x20	✓			
57431410000	4	Hexagon screw DIN933 M6x40 A2-70	✓			
56739060000	4	Washer DIN125-A-6-A2	✓			
38069774003	4	Bolt	✓			
38070049001	2	Washer	✓			
38012232000	2	Washer	✓			
56413080000	4	Cap nut DIN917-M8-A2	✓			
95972950002	0,001	Loctite 243 50 ml	✓			
56739080000	2	Washer DIN125-A-8-A2	✓			
38070049001	2	Washer	✓			
38022377001	1	Drive Part cpl	✓			
56083130000	1	Set screw ISO4026 M6x45-A2-70	✓			
38051156002	1	Spacer	✓			
57431100000	1	Hexagon screw DIN933 M6x10 A2-70	✓			
56765060000	1	Washer DIN9021-6-A2	✓			
57431120000	2	Hexagon screw DIN933 M6x12 A2-70	✓			
57431120000	1	Hexagon screw DIN933 M6x12 A2-70	✓			
57431120000	2	Hexagon screw DIN933 M6x12 A2-70	✓			
56765060000	1	Washer DIN9021-6-A2	✓			
56187730000	4	Cylindrical pin EN 22338-4m6x10-A2	✓			
57767060000	4	Spring lock washer DIN128-A6-FSt	✓			
56765070000	2	Washer DIN 9021-8-A2	✓			
56739060000	1	Washer DIN125-A-6-A2	✓			

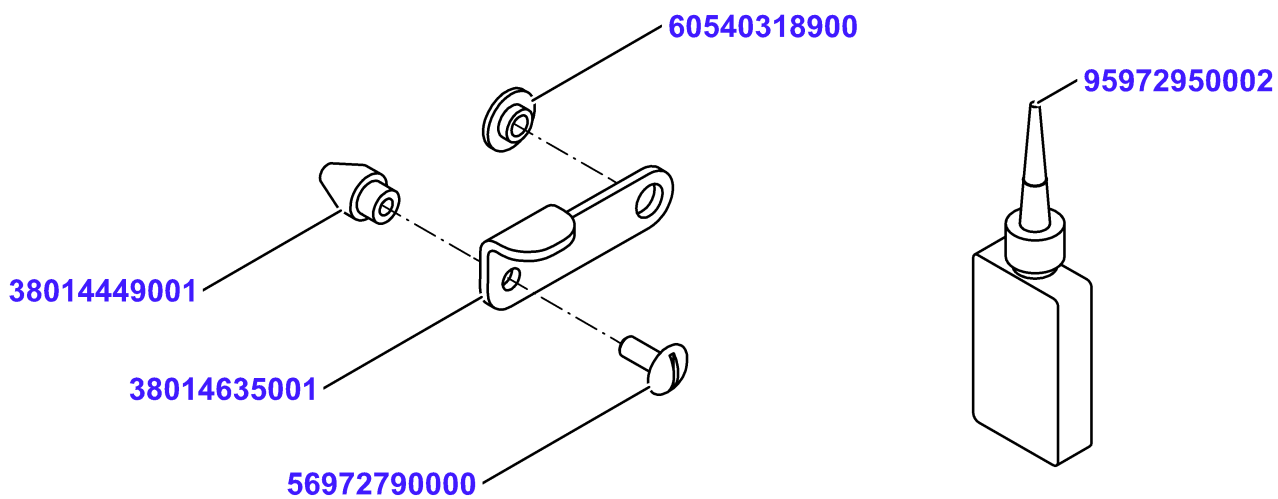
# Mounting Conveyor cpl



# Mounting Conveyor cpl

Material No.	Qty	Material description	available for order	Wear part	Recomm. sp. part	Metr. relevance
38117496000	1	Mounting 275,6 x 219 x 4	✓			
56187730000	4	Cylindrical pin EN 22338-4m6x10-A2	✓			
38069718003	2	Plate 107x54x20	✓			
57431410000	4	Hexagon screw DIN933 M6x40 A2-70	✓			
56739060000	4	Washer DIN125-A-6-A2	✓			
38069774003	4	Bolt	✓			
38070049001	2	Washer	✓			
38012232000	2	Washer	✓			
56413080000	4	Cap nut DIN917-M8-A2	✓			
56739080000	2	Washer DIN125-A-8-A2	✓			
38070049001	2	Washer	✓			
56765060000	1	Washer DIN9021-6-A2	✓			
38070632001	2	Axis	✓			
57431120000	2	Hexagon screw DIN933 M6x12 A2-70	✓			
38014634002	1	Lock cpl	✓			
57431120000	1	Hexagon screw DIN933 M6x12 A2-70	✓			
38070318002	1	Locking axle 16x295	✓			
57431120000	2	Hexagon screw DIN933 M6x12 A2-70	✓			
56765060000	1	Washer DIN9021-6-A2	✓			
56187730000	4	Cylindrical pin EN 22338-4m6x10-A2	✓			
57767060000	4	Spring lock washer DIN128-A6-FSt	✓			
56765070000	2	Washer DIN 9021-8-A2	✓			
57431160000	1	Hexagon screw DIN933 M6x16 A2-70	✓			
56739060000	1	Washer DIN125-A-6-A2	✓			
56413060000	1	Cap nut DIN917-M6-A2	✓			

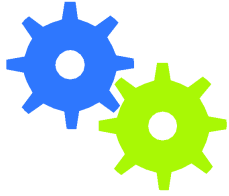
# Lock cpl



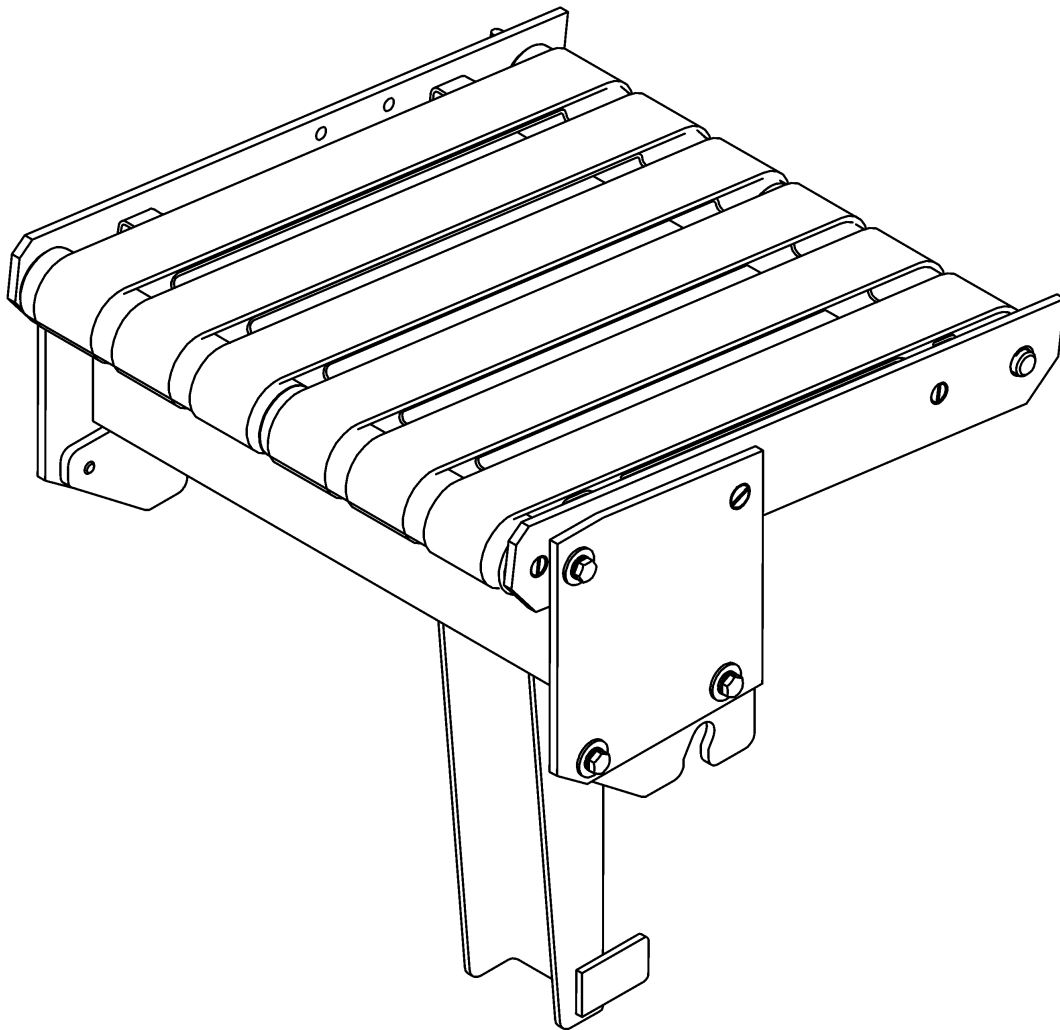
# Lock cpl

Material No.	Qty	Material description	available for order	Wear part	Recomm. sp. part	Metr. relevance
<a href="#">38014635001</a>	1	Fastener				
<a href="#">38014449001</a>	1	Lock				
<a href="#">56972790000</a>	1	Mushroom head screw M6x16-A2-70				
<a href="#">95972950002</a>	0,001	Loctite 243 50 ml				
<a href="#">60540318900</a>	1	bushing				

# Conveyor belts



**38054394001**



# Conveyor belts

Material No.	Qty	Material description
<a href="#">38054394001</a>	1	Conveyor Belt 256mm Flat Belt 30mm cpl

available for order

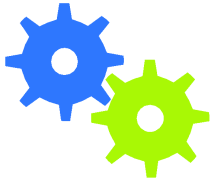
Wear part

Recomm. sp. part

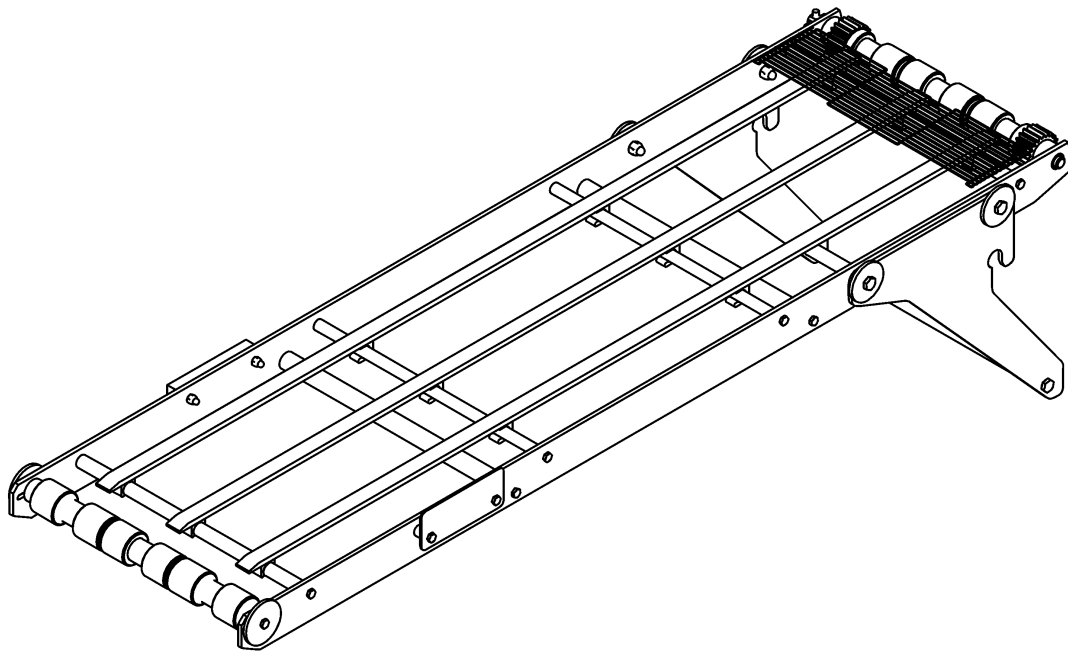
Metr. relevance



# Conveyor belts



**38116503000**



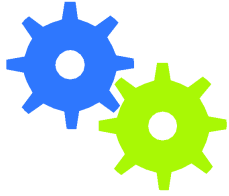
# Conveyor belts

Material No.	Qty	Material description
<a href="#">38116503000</a>	1	Conveyor Belt 910 mm cpl

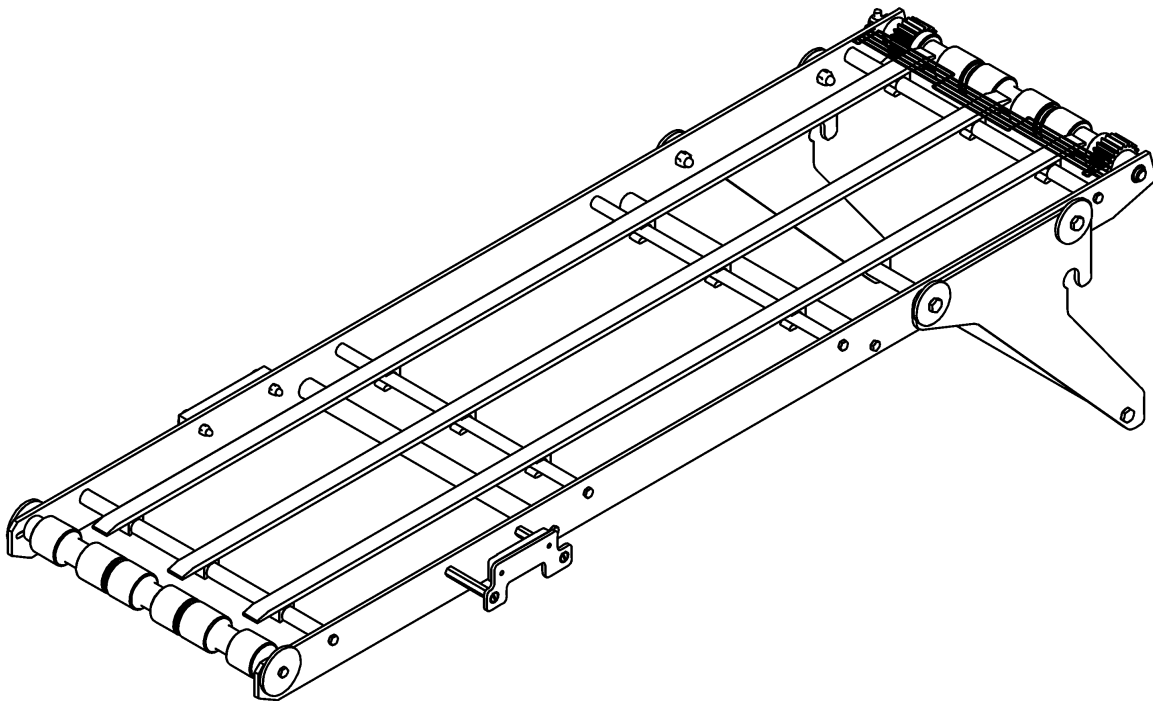
available for order
Wear part
Recomm. sp. part
Metr. relevance



## Conveyor belts



**38116503005**

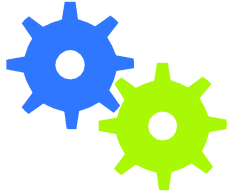


# Conveyor belts

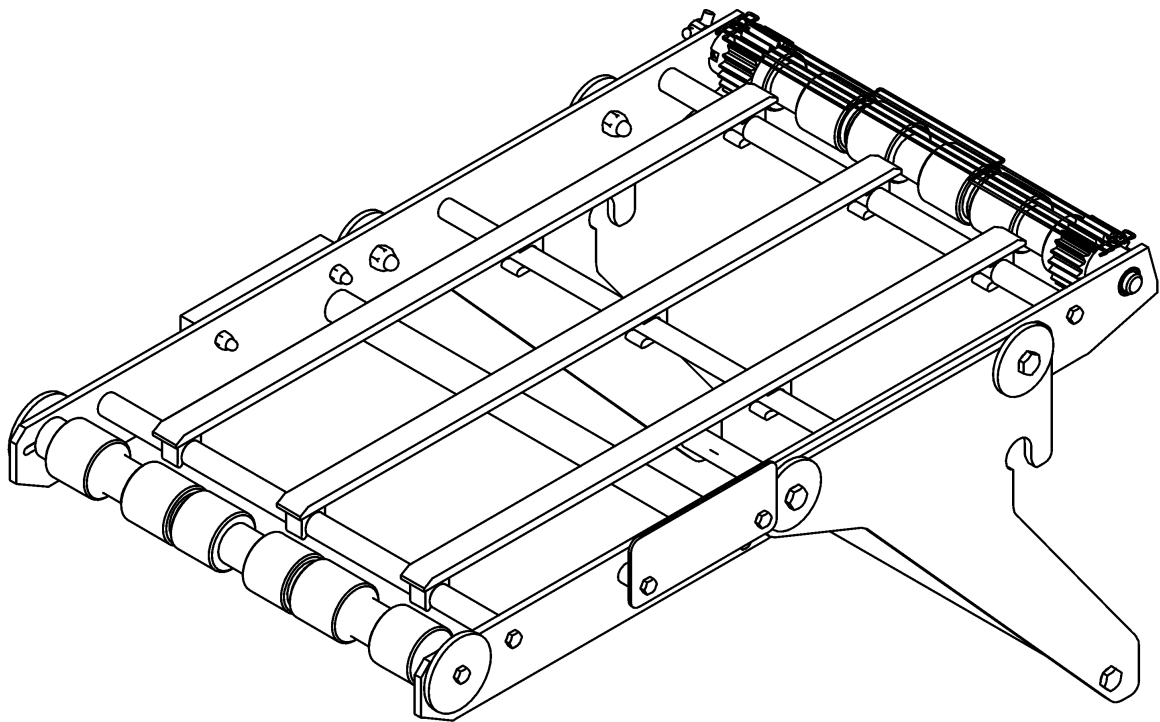
available for order
Wear part
Recomm. sp. part
Metr. relevance

Material No.	Qty	Material description
<a href="#">38116503005</a>	1	Conveyor Belt 910 mm cpl.

# Conveyor belts



**38116704000**

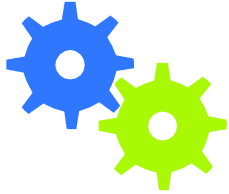


# Conveyor belts

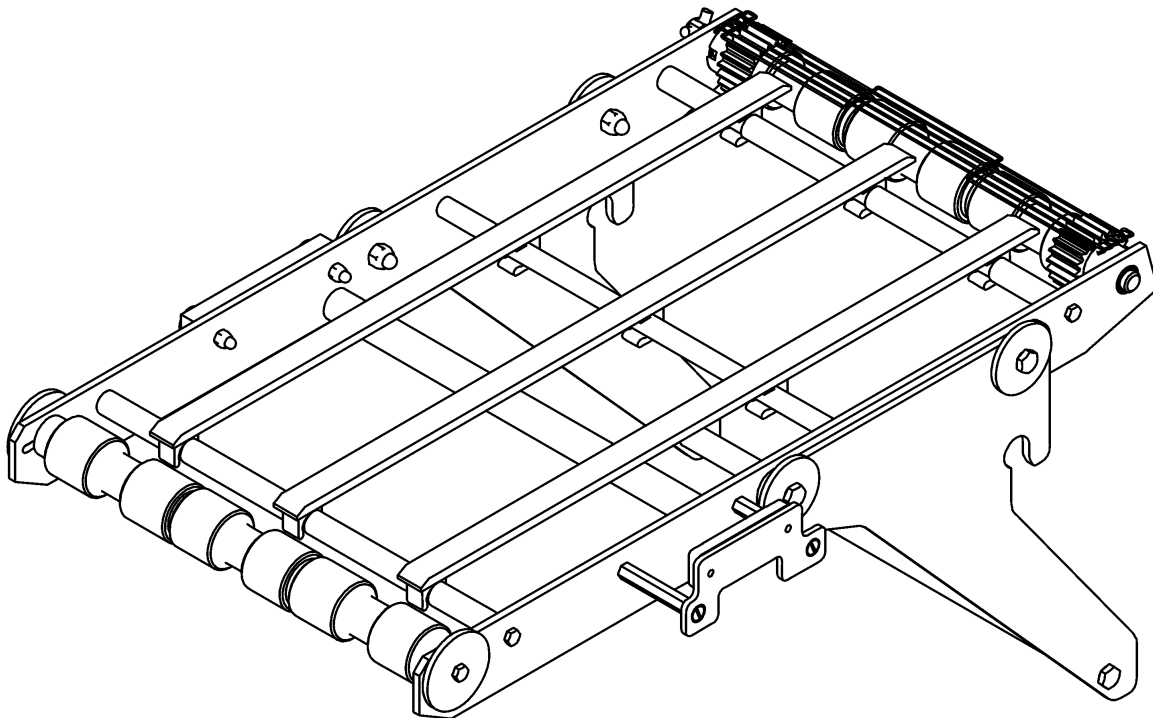
available for order
Wear part
Recomm. sp. part
Metr. relevance

Material No.	Qty	Material description
<a href="#">38116704000</a>	1	Conveyor belt 475 mm cpl

## Conveyor belts



**38116704005**



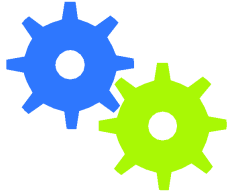
# Conveyor belts

Material No.	Qty	Material description
<a href="#">38116704005</a>	1	Conveyor Belt 475 mm cpl.

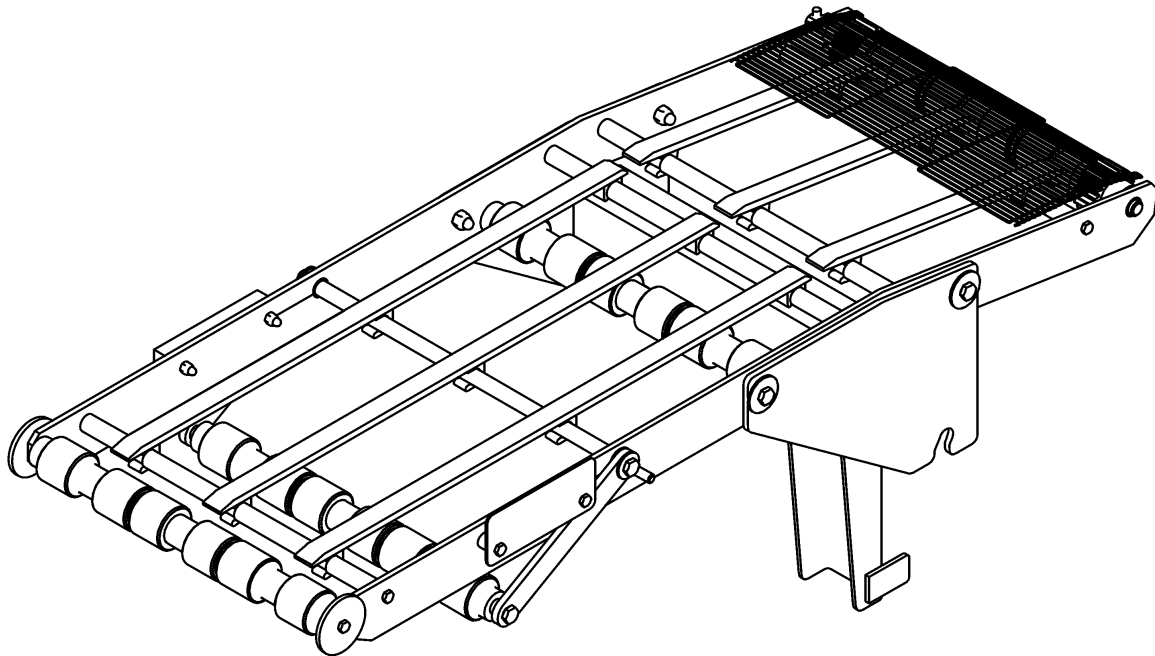
available for order
Wear part
Recomm. sp. part
Metr. relevance



# Conveyor belts



**38117157000**



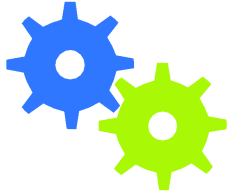
# Conveyor belts

Material No.	Qty	Material description
<a href="#">38117157000</a>	1	Conveyor Belt 720 mm cpl.

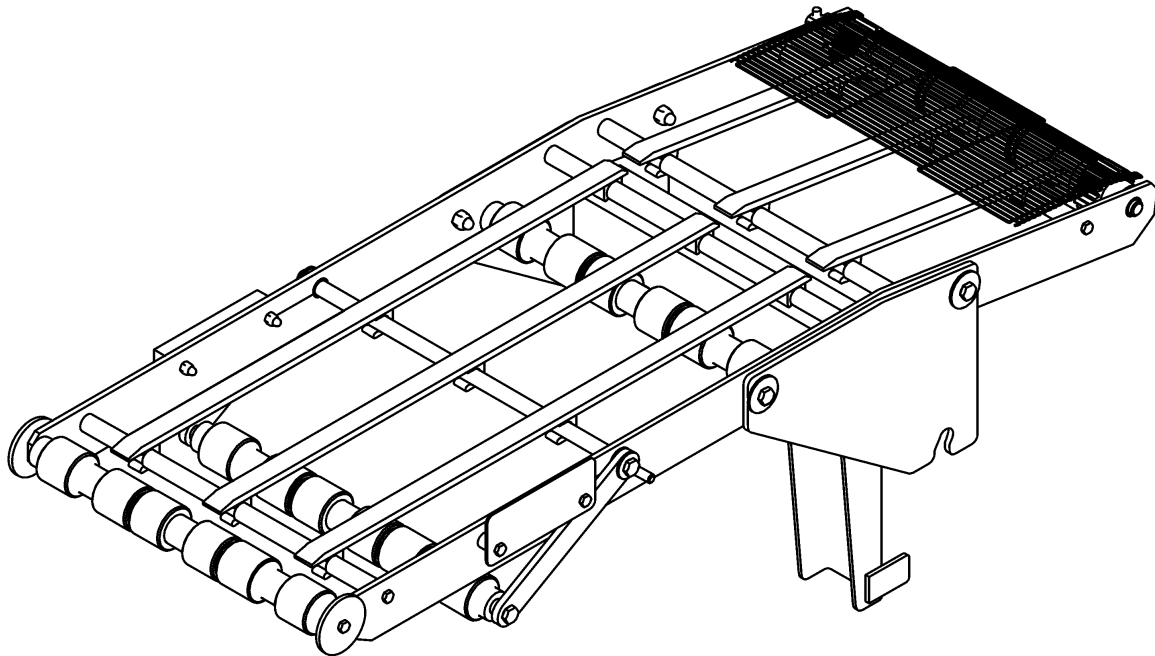
available for order
Wear part
Recomm. sp. part
Metr. relevance



# Conveyor belts



**38117157001**



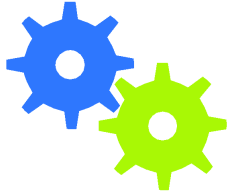
# Conveyor belts

Material No.	Qty	Material description
<a href="#">38117157001</a>	1	Conveyor Belt 720 mm cpl.

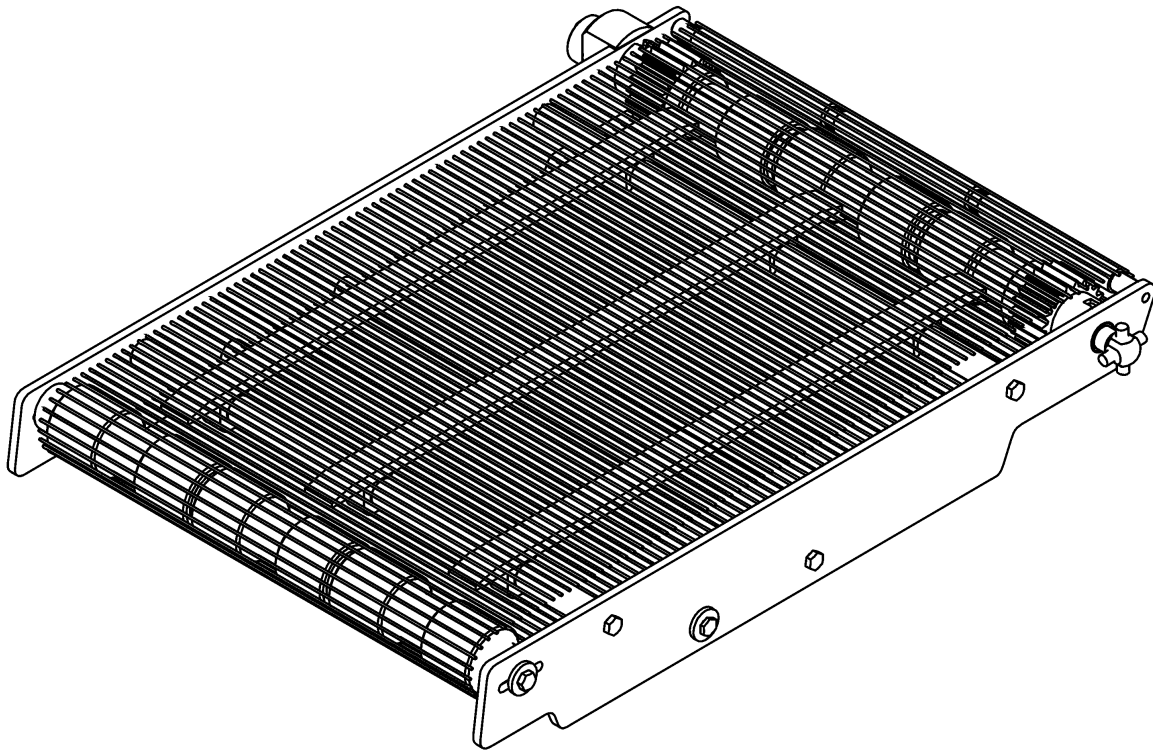
available for order
Wear part
Recomm. sp. part
Metr. relevance



## Conveyor belts



**38118261000**



# Conveyor belts

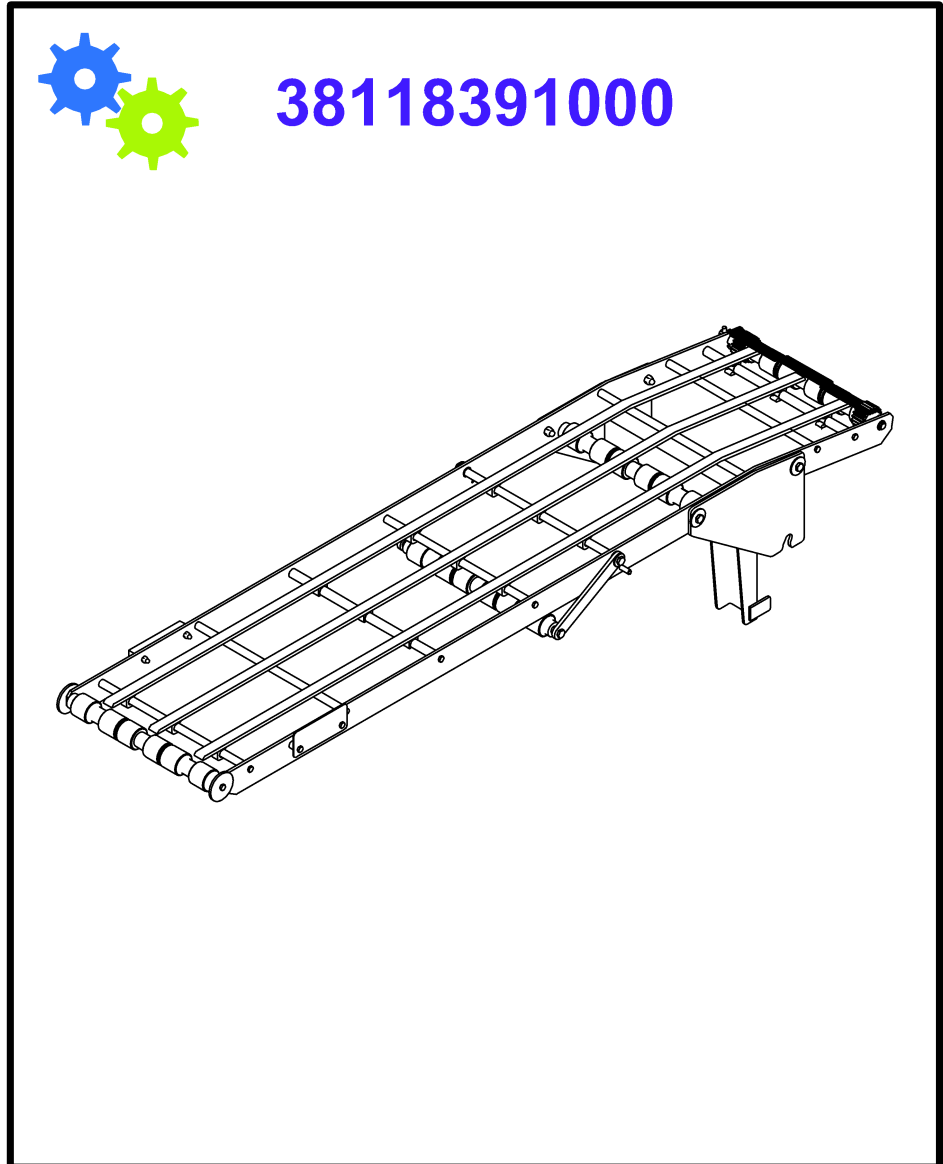
Material No.	Qty	Material description
<a href="#">38118261000</a>	1	Conveyor Belt 325 mm cpl.

available for order
Wear part
Recomm. sp. part
Metr. relevance



# Conveyor belts

1



# Conveyor belts

Material No.	Qty	Material description
<a href="#">38118391000</a>	1	Conveyor Belt 1165 mm cpl.

available for order

Wear part

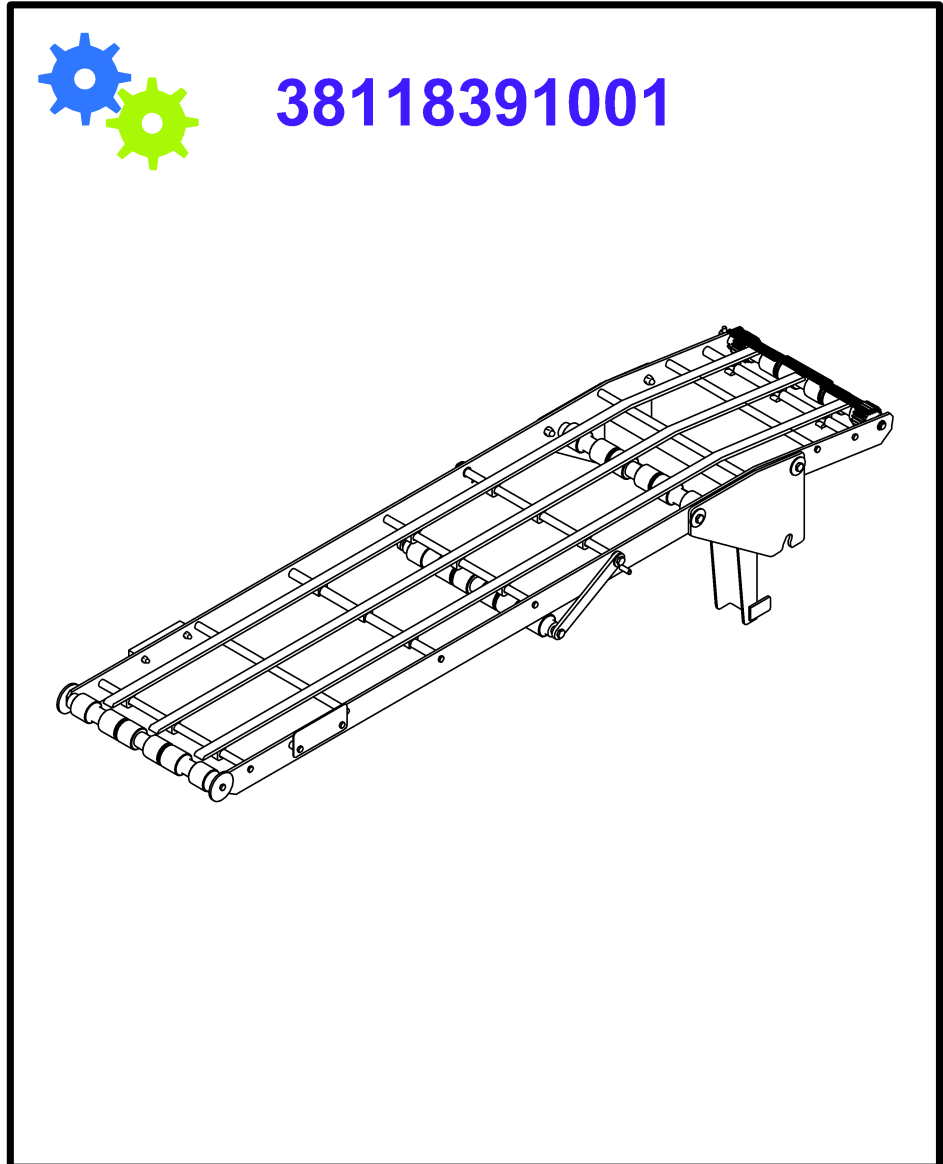
Recomm. sp. part

Metr. relevance



# Conveyor belts

1

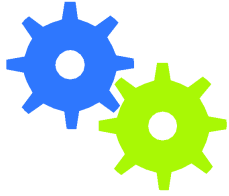


# Conveyor belts

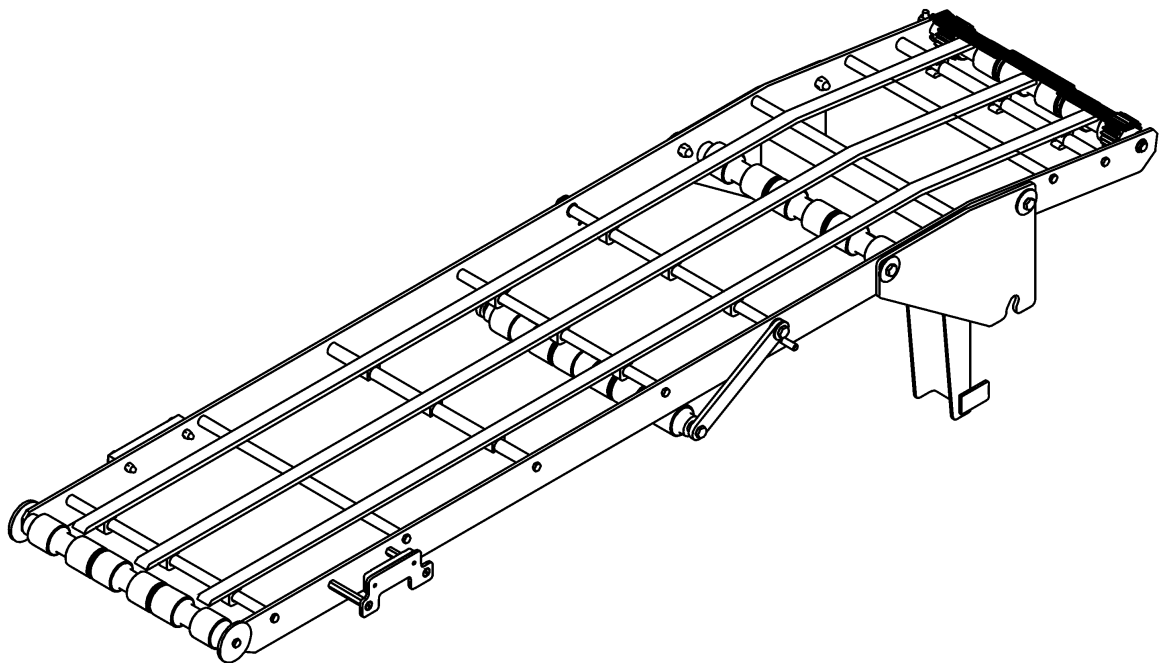
available for order
Wear part
Recomm. sp. part
Metr. relevance

Material No.	Qty	Material description
<a href="#">38118391001</a>	1	Conveyor Belt 1165 mm cpl.

# Conveyor belts



**38118391005**



# Conveyor belts

Material No.	Qty	Material description
<a href="#">38118391005</a>	1	Conveyor Belt 1165 mm cpl.

available for order

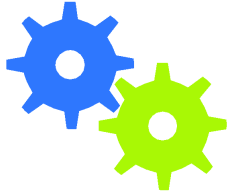
Wear part

Recomm. sp. part

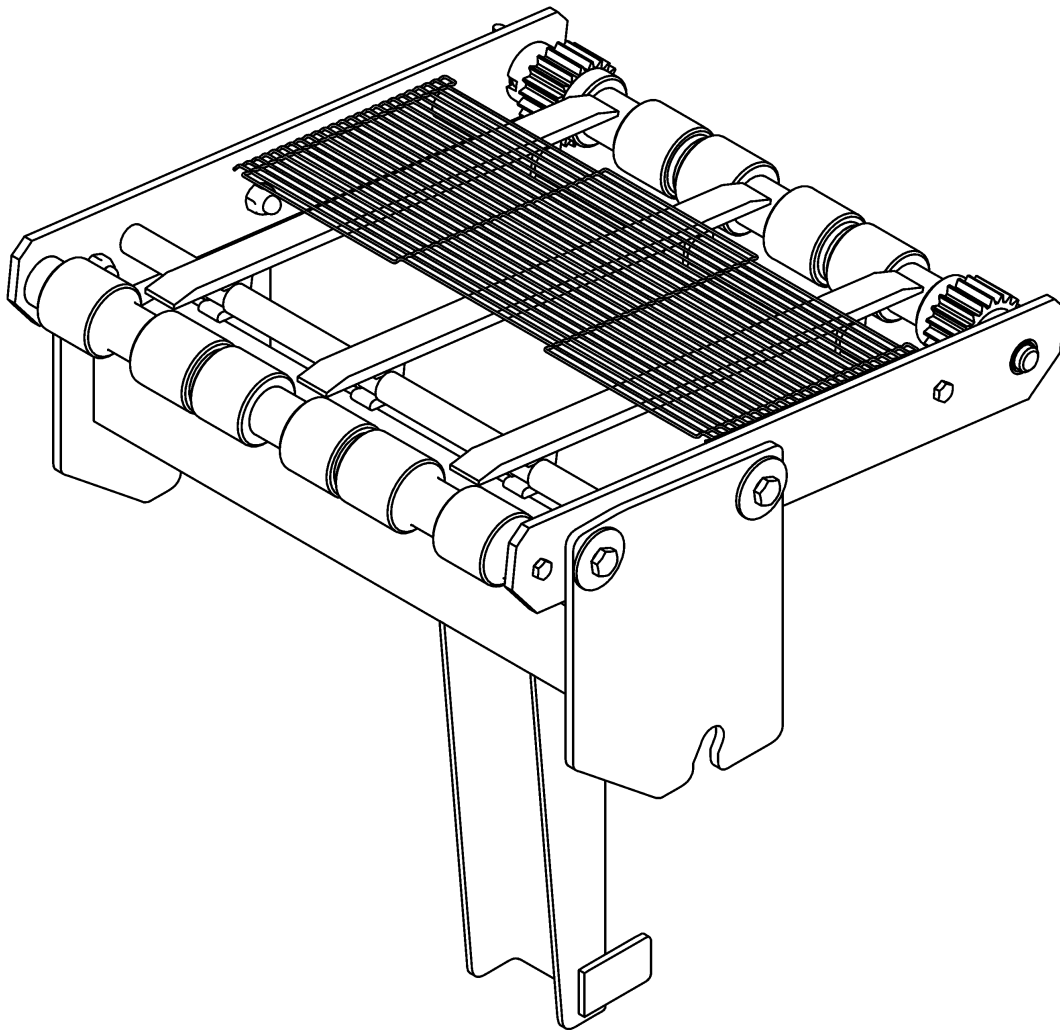
Metr. relevance



# Conveyor belts



**38118536000**



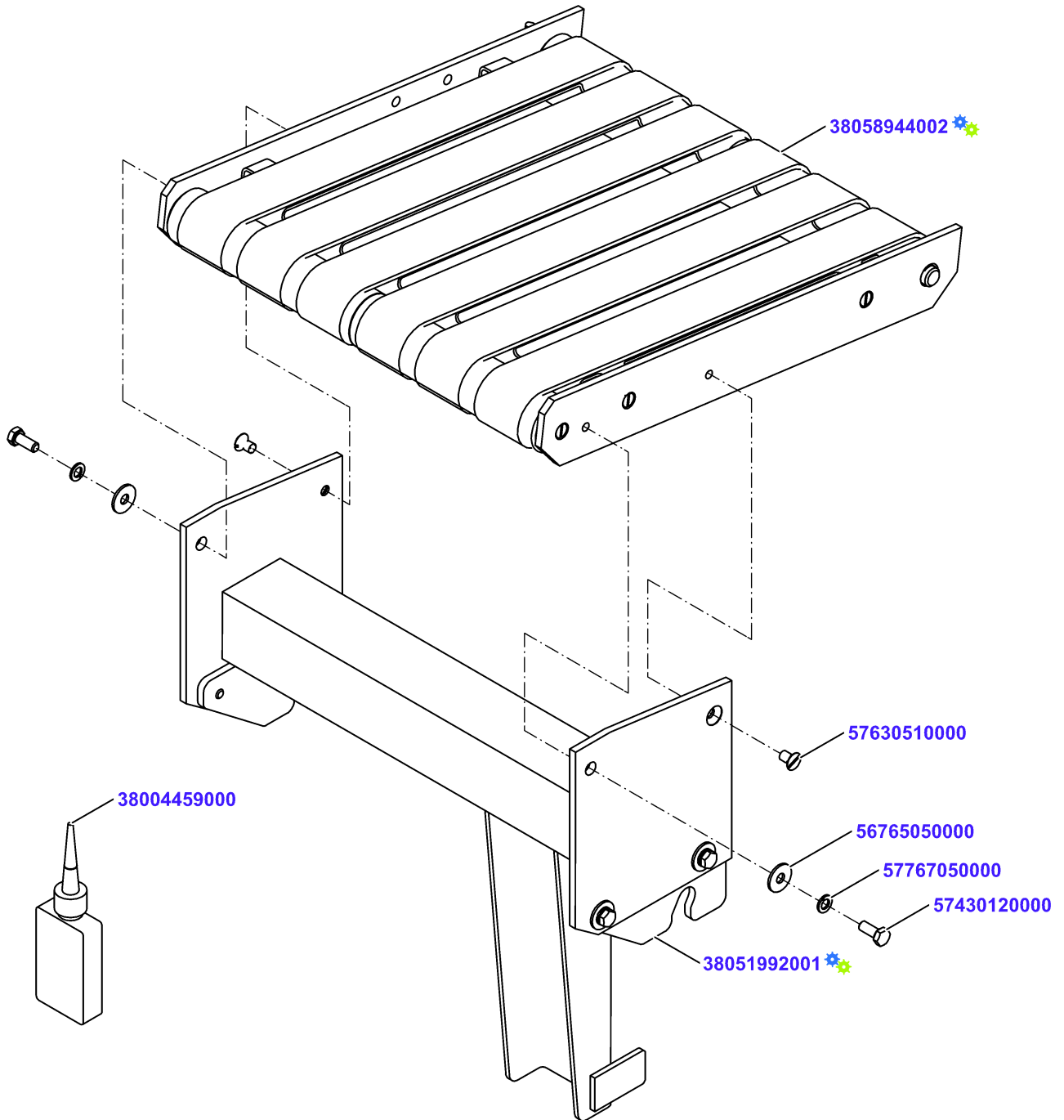
# Conveyor belts

Material No.	Qty	Material description
<a href="#">38118536000</a>	1	Conveyor Belt 256 mm cpl.

available for order
Wear part
Recomm. sp. part
Metr. relevance



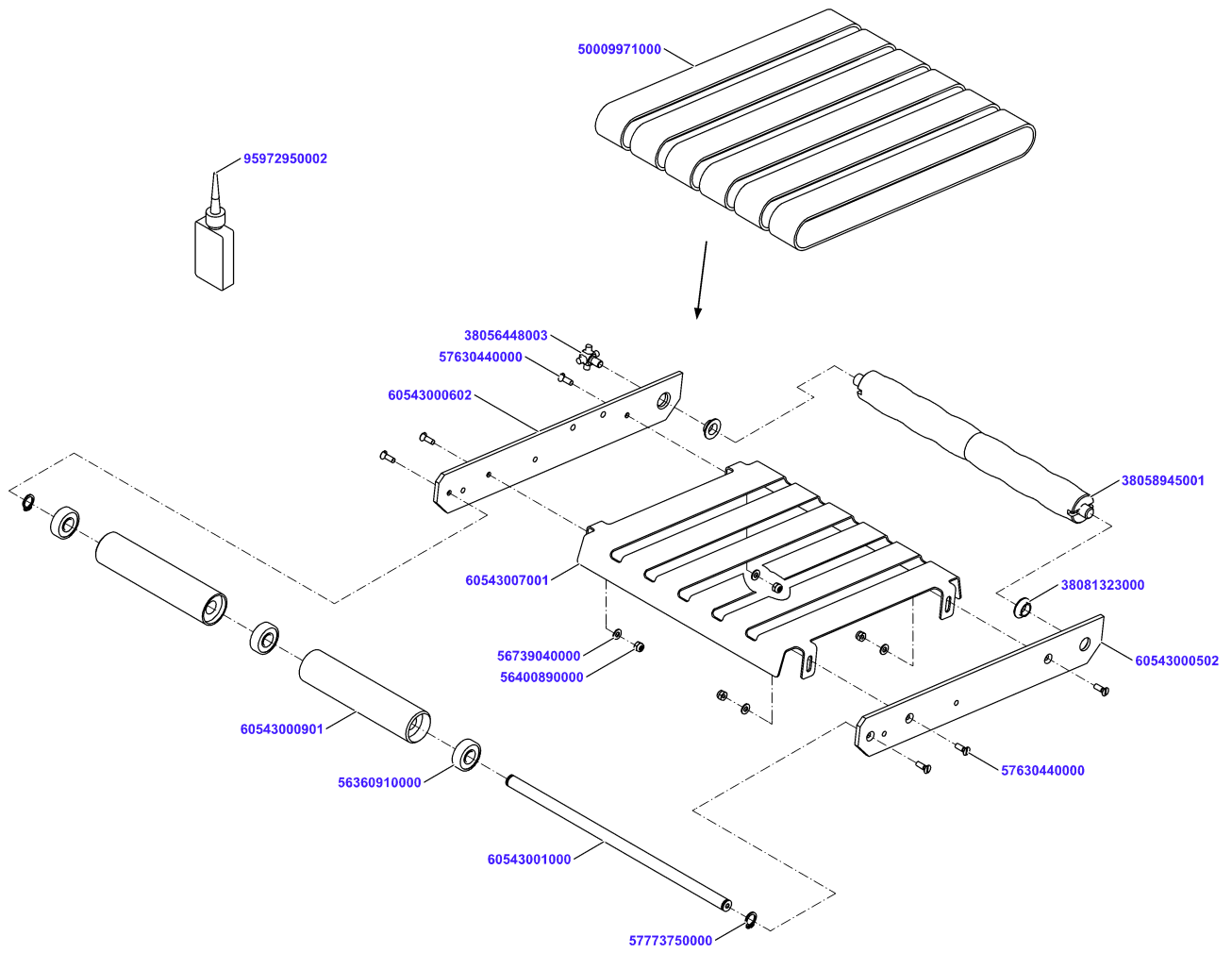
# Conveyor Belt 256mm Flat Belt 30mm cpl



# Conveyor Belt 256mm Flat Belt 30mm cpl

Material No.	Qty	Material description	available for order	Wear part	Recomm. sp. part	Metr. relevance
<a href="#">38058944002</a>	1	Conveyor Belt cpl				
<a href="#">38051992001</a>	1	Traverse cpl				
<a href="#">57430120000</a>	2	Hexagon screw DIN933 M5x12 A2-70	✓			
<a href="#">57767050000</a>	2	Spring lock washer DIN128-A5-FSt	✓			
<a href="#">56765050000</a>	2	Washer DIN9021-5-A2	✓			
<a href="#">57630510000</a>	2	Countersunk screw DIN963 M5x8-A2-70	✓			
<a href="#">38004459000</a>	0,001	Loctite 648	✓			

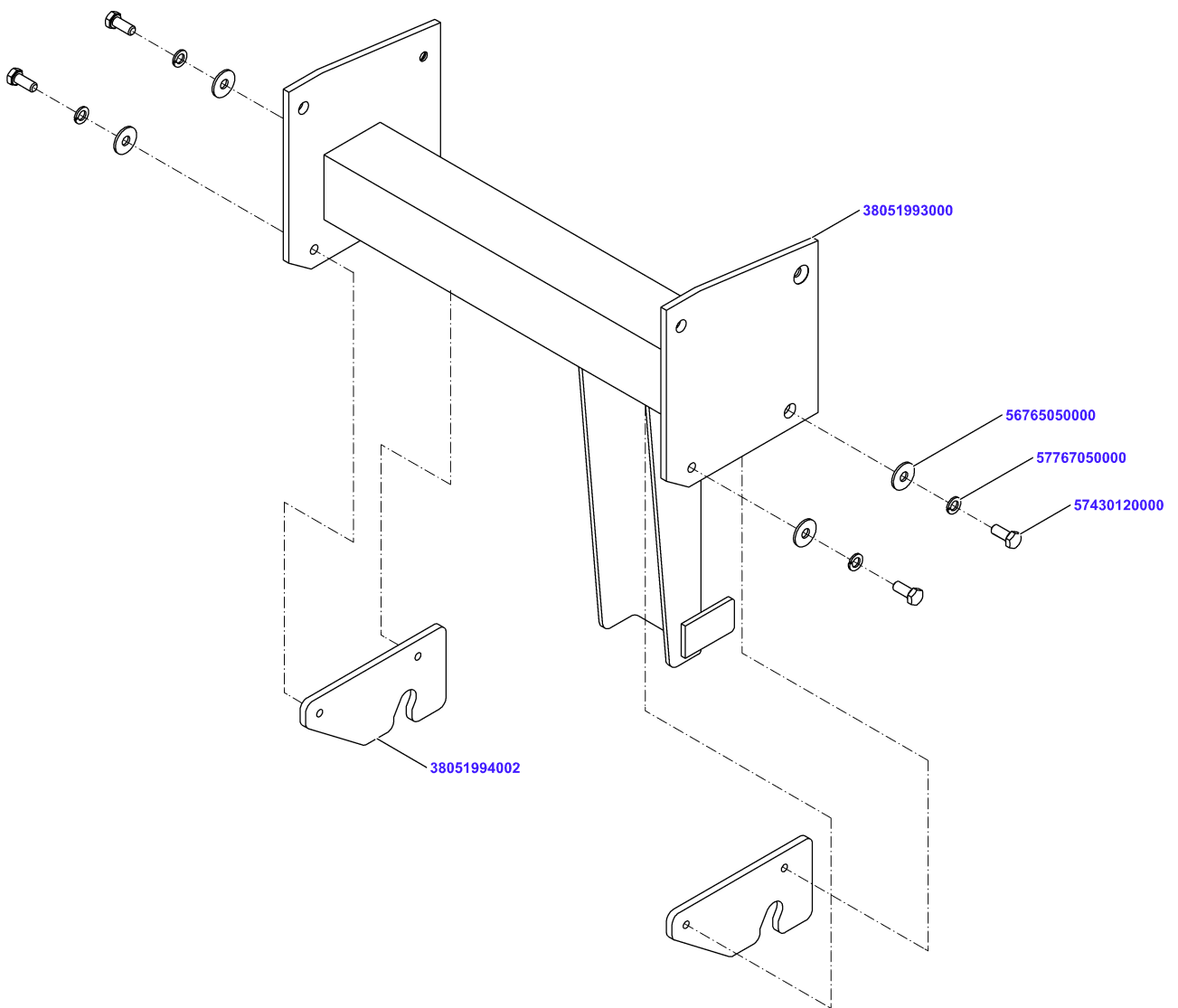
# Conveyor Belt cpl



# Conveyor Belt cpl

Material No.	Qty	Material description	available for order	Wear part	Recomm. sp. part	Metr. relevance
<a href="#">60543000602</a>	1	Side plate, LH	✓			
<a href="#">60543000502</a>	1	Side plate, RH	✓			
<a href="#">38081323000</a>	2	Sleeve Bearing 1012-5	✓	✓	✓	
<a href="#">38058945001</a>	1	Drive Roller preass	✓			
<a href="#">38056448003</a>	1	Coupling Element	✓	✓	✓	
<a href="#">95972950002</a>	0,001	Loctite 243 50 ml	✓			
<a href="#">60543001000</a>	1	shaft	✓			
<a href="#">60543000901</a>	2	guide roller	✓			
<a href="#">56360910000</a>	3	Grooved ball bearing DIN625 10x26x8	✓			
<a href="#">57773750000</a>	2	Retaining ring DIN471-10x1	✓			
<a href="#">57630440000</a>	2	Countersunk screw DIN963 M4x12-A2-70	✓			
<a href="#">60543007001</a>	1	conveyer guiding unit	✓			
<a href="#">57630440000</a>	4	Countersunk screw DIN963 M4x12-A2-70	✓			
<a href="#">56400890000</a>	4	Lock nut DIN985-M4-A2	✓			
<a href="#">56739040000</a>	4	Washer DIN125-A 4.3-A2-70	✓			
<a href="#">50009971000</a>	6	conveyor belt	✓	✓	✓	

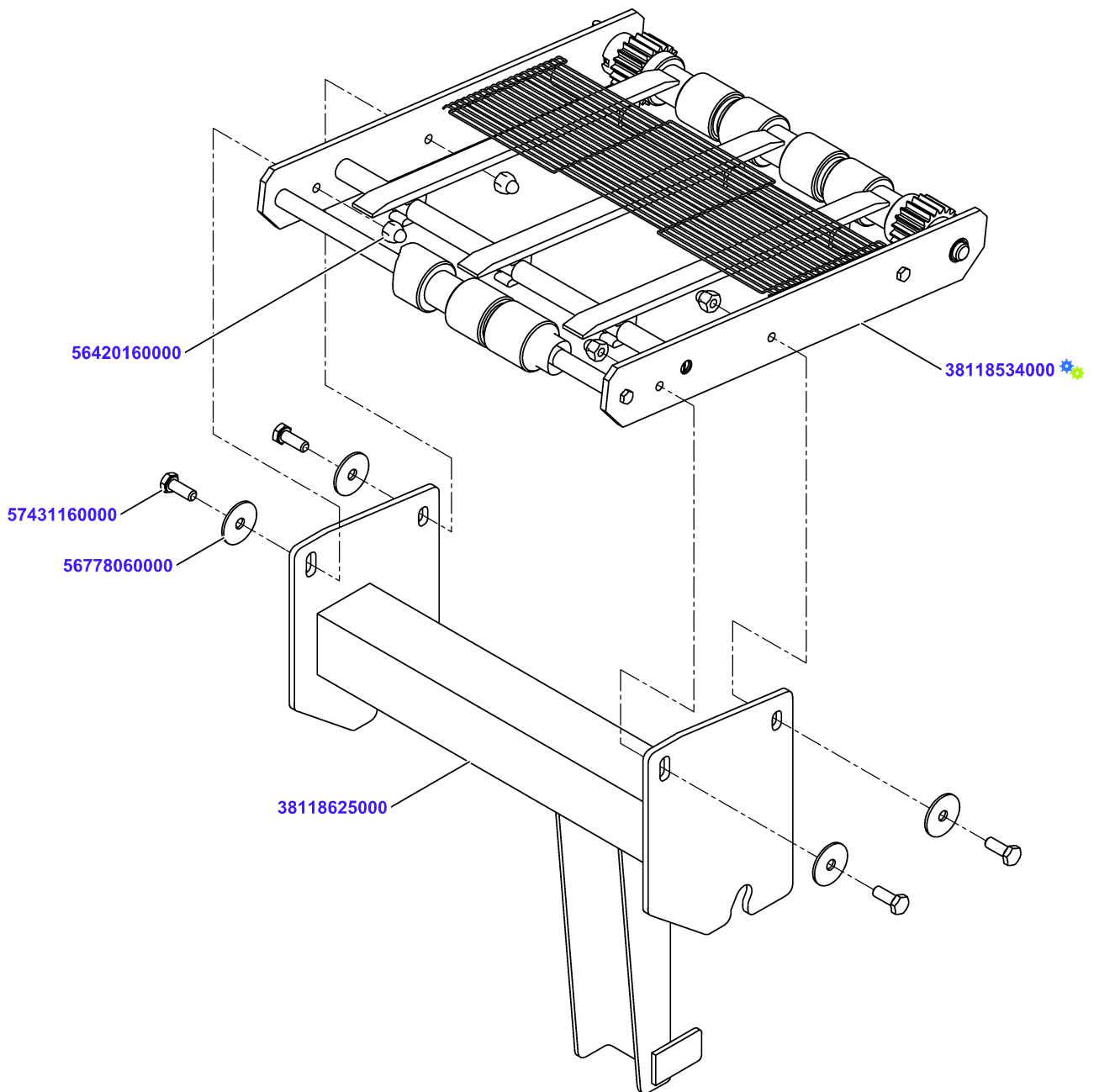
# Traverse cpl



# Traverse cpl

Material No.	Qty	Material description	available for order	Wear part	Recomm. sp. part	Metr. relevance
<a href="#">38051993000</a>	1	Traverse welded				
<a href="#">38051994002</a>	2	Shackle				
<a href="#">57430120000</a>	4	Hexagon screw DIN933 M5x12 A2-70				
<a href="#">56765050000</a>	4	Washer DIN9021-5-A2				
<a href="#">57767050000</a>	4	Spring lock washer DIN128-A5-FSt				

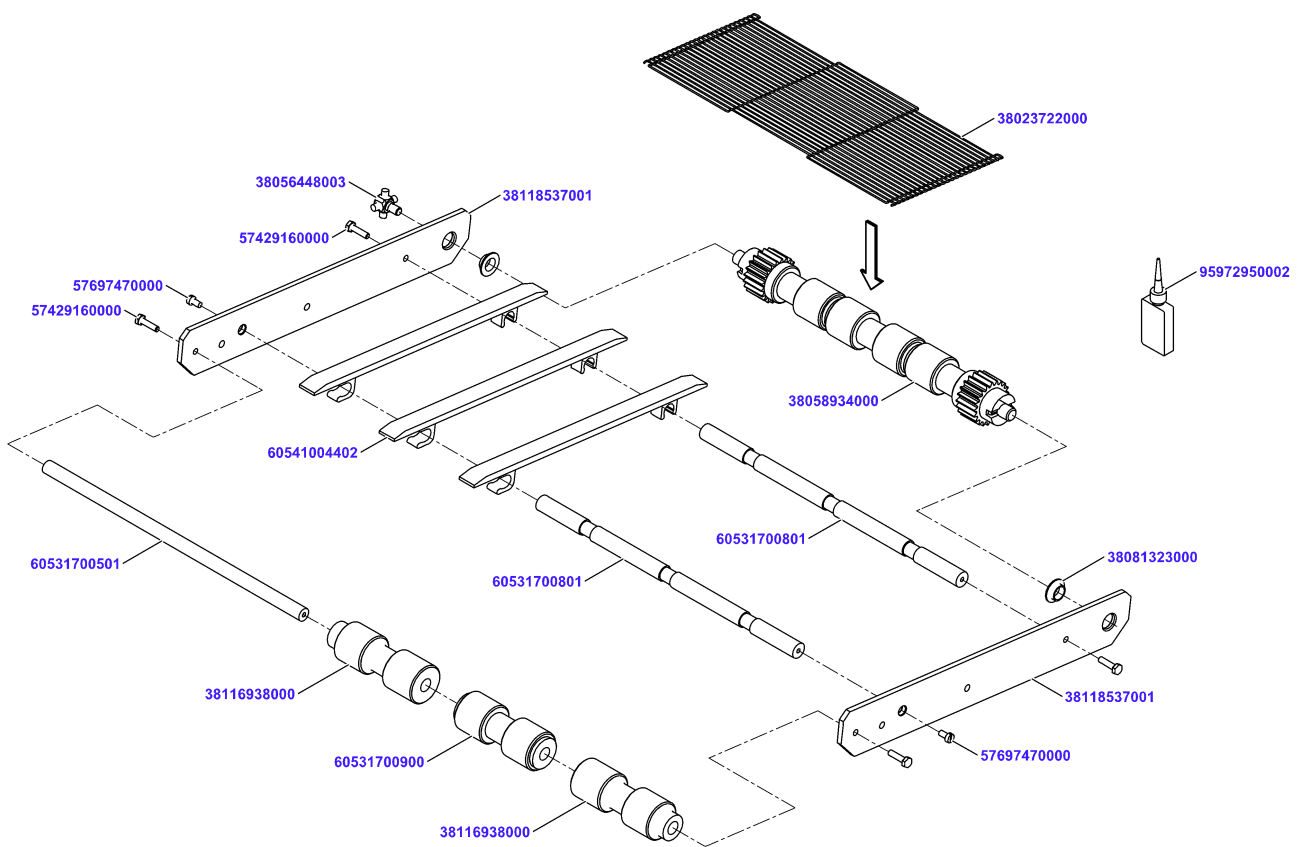
# Conveyor Belt 256 mm cpl.



## Conveyor Belt 256 mm cpl.

Material No.	Qty	Material description	available for order	Wear part	Recomm. sp. part	Metr. relevance
<a href="#">38118534000</a>	1	Conveyor Belt 256 mm pre.				
<a href="#">38118625000</a>	1	Traverse welded 110 x 265	✓			
<a href="#">56778060000</a>	4	Washer 6-A2	✓			
<a href="#">57431160000</a>	4	Hexagon screw DIN933 M6x16 A2-70	✓			
<a href="#">56420160000</a>	4	Cap nut DIN986-M6-A2	✓			

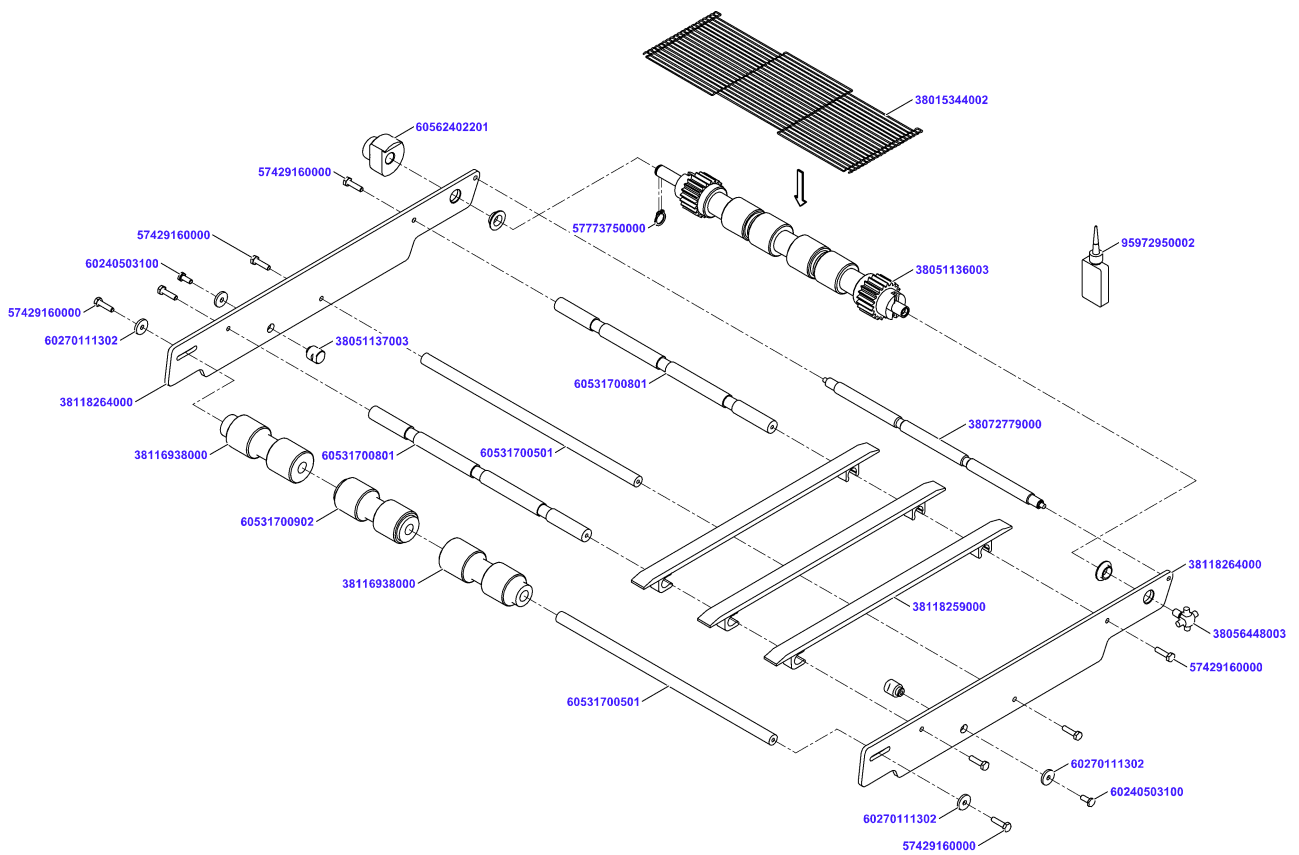
# Conveyor Belt 256 mm pre.



## Conveyor Belt 256 mm pre.

Material No.	Qty	Material description	available for order	Wear part	Recomm. sp. part	Metr. relevance
<a href="#">38118537001</a>	2	Side Part 290 x 40 x 4				
<a href="#">38081323000</a>	2	Sleeve Bearing 1012-5				
<a href="#">38058934000</a>	1	Drive Roller preass				
<a href="#">38056448003</a>	1	Coupling Element				
<a href="#">95972950002</a>	0,001	Loctite 243 50 ml				
<a href="#">60531700801</a>	2	Fixing Axle 12 x 257				
<a href="#">57429160000</a>	2	Hexagon screw DIN933 M4x16 A2-70				
<a href="#">57697470000</a>	2	Cylinder screw DIN84 M4x8-A2-70				
<a href="#">60531700501</a>	1	Axle 10 x 257				
<a href="#">60531700900</a>	1	PULLEY				
<a href="#">38116938000</a>	2	Bushing 30 x 10,15 x 88,6				
<a href="#">57429160000</a>	2	Hexagon screw DIN933 M4x16 A2-70				
<a href="#">60541004402</a>	3	Ledge preassembled 15x235				
<a href="#">38023722000</a>	1	Netting Ribbon				

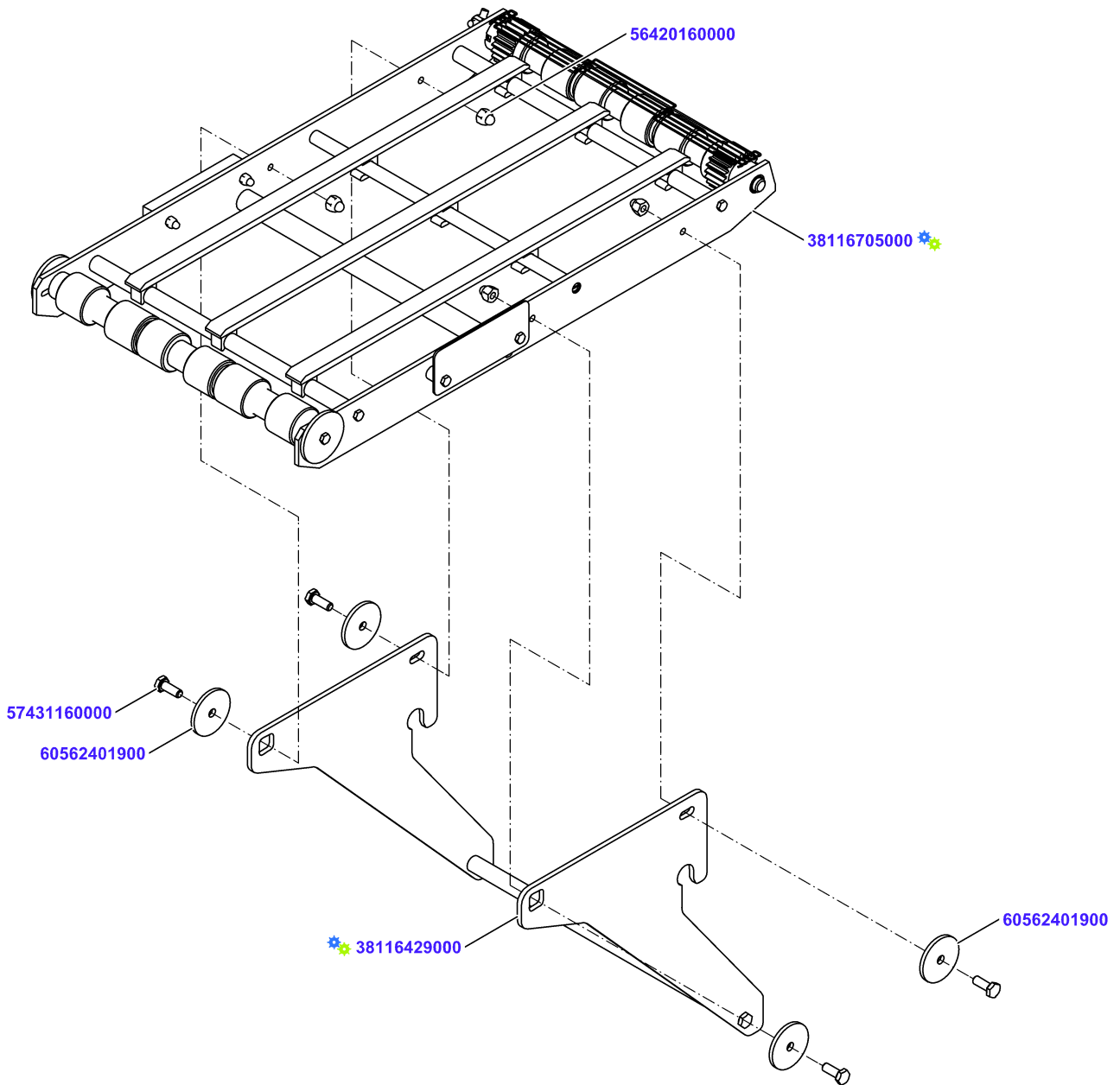
# Conveyor Belt 325 mm cpl.



# Conveyor Belt 325 mm cpl.

Material No.	Qty	Material description	available for order	Wear part	Recomm. sp. part	Metr. relevance
<a href="#">38118264000</a>	2	Side Part 375 x 50 x 4	✓			
<a href="#">38051136003</a>	1	Drive Shaft preass	✓			
<a href="#">38056448003</a>	1	Coupling Element	✓		✓	
<a href="#">95972950002</a>	0,001	Loctite 243 50 ml	✓			
<a href="#">38118259000</a>	3	Ledge preassembled 284 x 15 x 5	✓			
<a href="#">60531700801</a>	2	Fixing Axle 12 x 257	✓			
<a href="#">38072779000</a>	1	Pulley cpl	✓			
<a href="#">57429160000</a>	4	Hexagon screw DIN933 M4x16 A2-70	✓			
<a href="#">60531700501</a>	1	Axle 10 x 257	✓			
<a href="#">38116938000</a>	2	Bushing 30 x 10,15 x 88,6	✓			
<a href="#">60531700902</a>	1	Roller	✓			
<a href="#">57429160000</a>	2	Hexagon screw DIN933 M4x16 A2-70	✓			
<a href="#">60270111302</a>	2	Washer	✓			
<a href="#">38051137003</a>	2	Bolt	✓			
<a href="#">60240503100</a>	2	Hexagon screw DIN 933 M4x10-A2-70	✓			
<a href="#">60270111302</a>	2	Washer	✓			
<a href="#">60531700501</a>	1	Axle 10 x 257	✓			
<a href="#">57429160000</a>	2	Hexagon screw DIN933 M4x16 A2-70	✓			
<a href="#">57773750000</a>	1	Retaining ring DIN471-10x1	✓			
<a href="#">60562402201</a>	1	roller	✓			
<a href="#">38015344002</a>	1	Netting Ribbon	✓		✓	
<a href="#">38081323000</a>	2	Sleeve Bearing 1012-5	✓		✓	

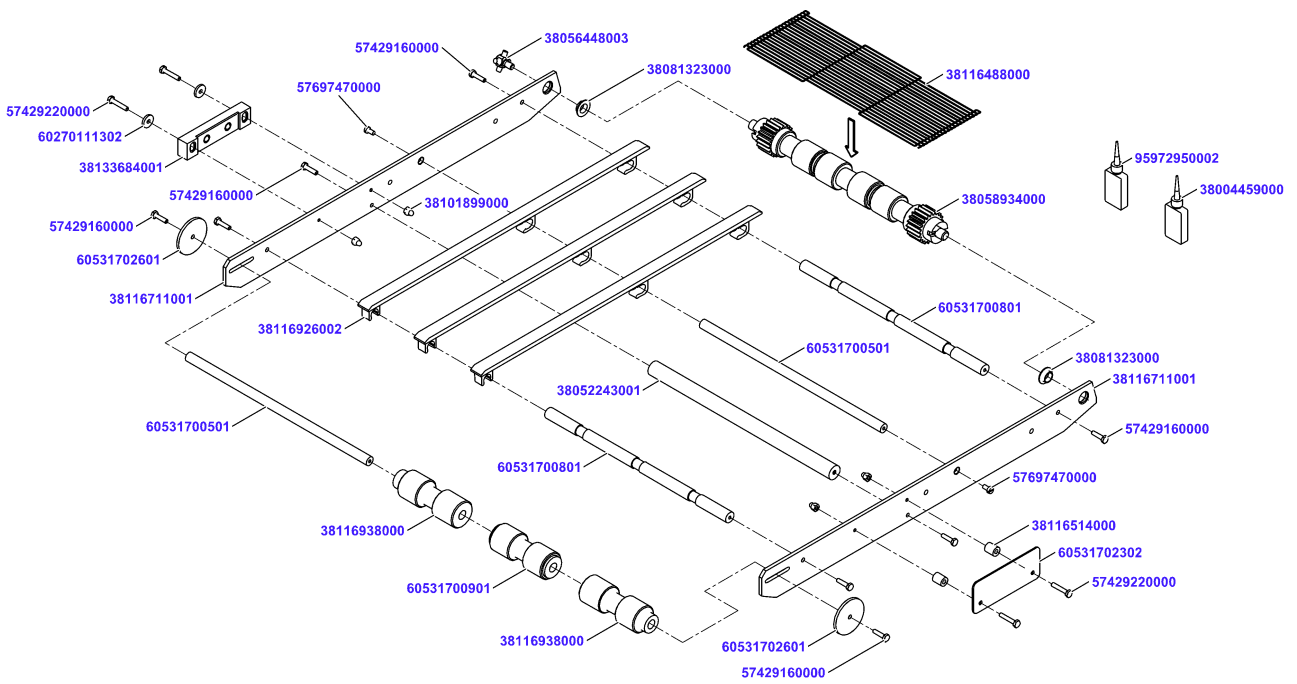
# Conveyor belt 475 mm cpl



# Conveyor belt 475 mm cpl

Material No.	Qty	Material description	available for order	Wear part	Recomm. sp. part	Metr. relevance
<a href="#">38116705000</a>	1	Conveyor Belt 475 mm prem.				
<a href="#">38116429000</a>	1	Conveyor Mounting cpl				
<a href="#">60562401900</a>	2	Washer 36x6,5x3	✓			
<a href="#">60562401900</a>	2	Washer 36x6,5x3	✓			
<a href="#">57431160000</a>	4	Hexagon screw DIN933 M6x16 A2-70	✓			
<a href="#">56420160000</a>	4	Cap nut DIN986-M6-A2	✓			

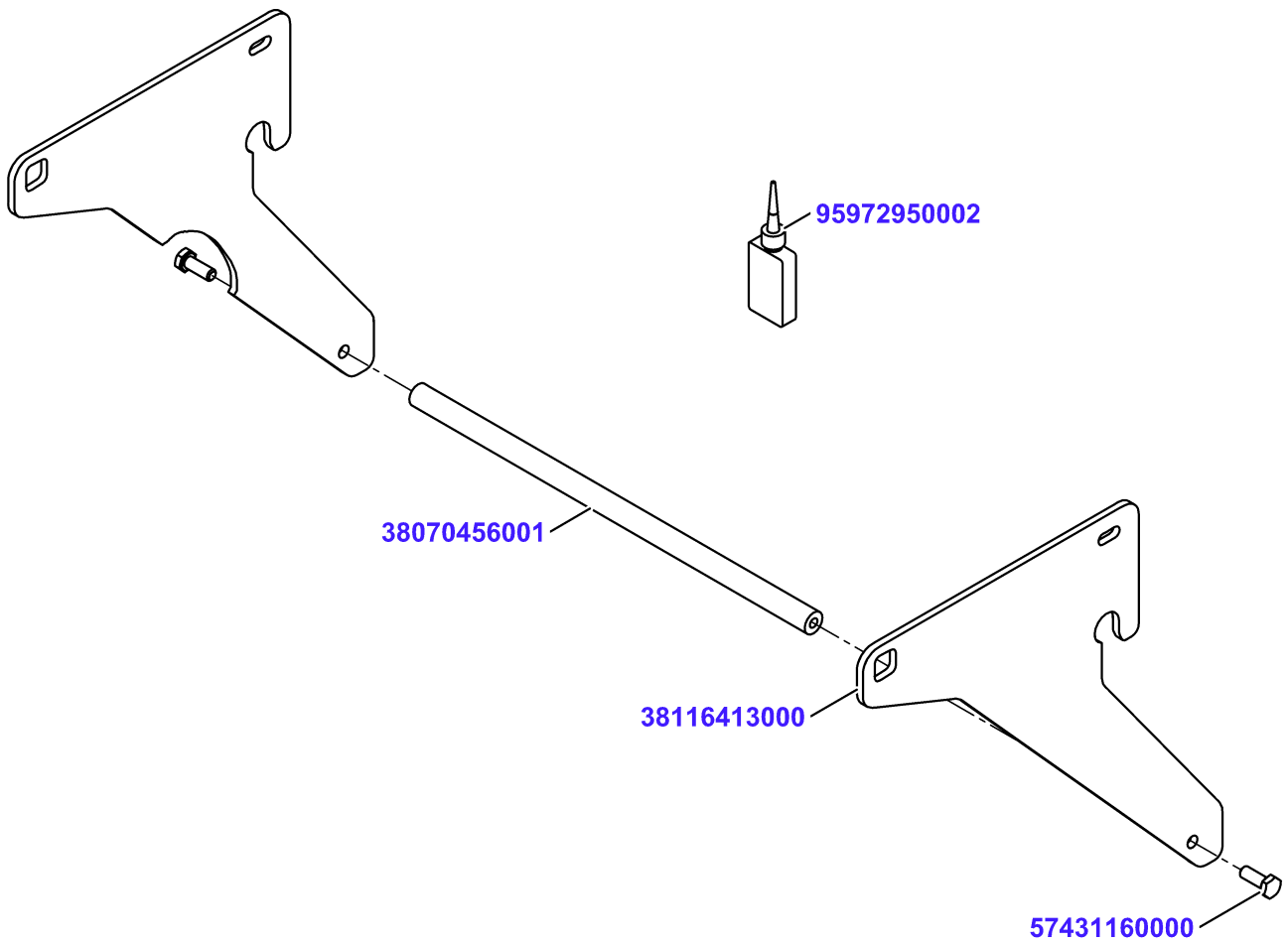
# Conveyor Belt 475 mm prem.



# Conveyor Belt 475 mm prem.

Material No.	Qty	Material description	available for order	Wear part	Recomm. sp. part	Metr. relevance
38056448003	1	Coupling Element	✓	✓	✓	
95972950002	0,001	Loctite 243 50 ml	✓			
38116711001	2	Side Part 475 x 40 x 4	✓			
38058934000	1	Drive Roller preass	✓			
38081323000	2	Sleeve Bearing 1012-5	✓	✓	✓	
38116938000	2	Bushing 30 x 10,15 x 88,6	✓			
60531700901	1	Roller	✓			
60531700501	1	Axle 10 x 257	✓			
60531700501	1	Axle 10 x 257	✓			
60531700801	2	Fixing Axle 12 x 257	✓			
38116926002	3	Ledge preassembled 15 x 387,5	✓			
57697470000	2	Cylinder screw DIN84 M4x8-A2-70	✓			
38004459000	0,002	Loctite 648	✓			
57429160000	6	Hexagon screw DIN933 M4x16 A2-70	✓			
38133684001	1	Plug-in support mounted	✓			
57429220000	2	Hexagon screw DIN933 M4x22 A2-70	✓			
60270111302	2	Washer	✓			
38101899000	4	Cap nut DIN986-M4-A2	✓			
57429220000	2	Hexagon screw DIN933 M4x22 A2-70	✓			
38116514000	2	Spacer Sleeve 4,5 x 10 x 12	✓			
60531702302	1	Mirror V2A 94x38x1,5	✓			
38052243001	1	Sliding Bolt mount.	✓			
57429160000	2	Hexagon screw DIN933 M4x16 A2-70	✓			
60531702601	2	Washer 40x4,5x3	✓			
38116488000	1	Netting Ribbon 950 mm	✓			





# Conveyor Mounting cpl



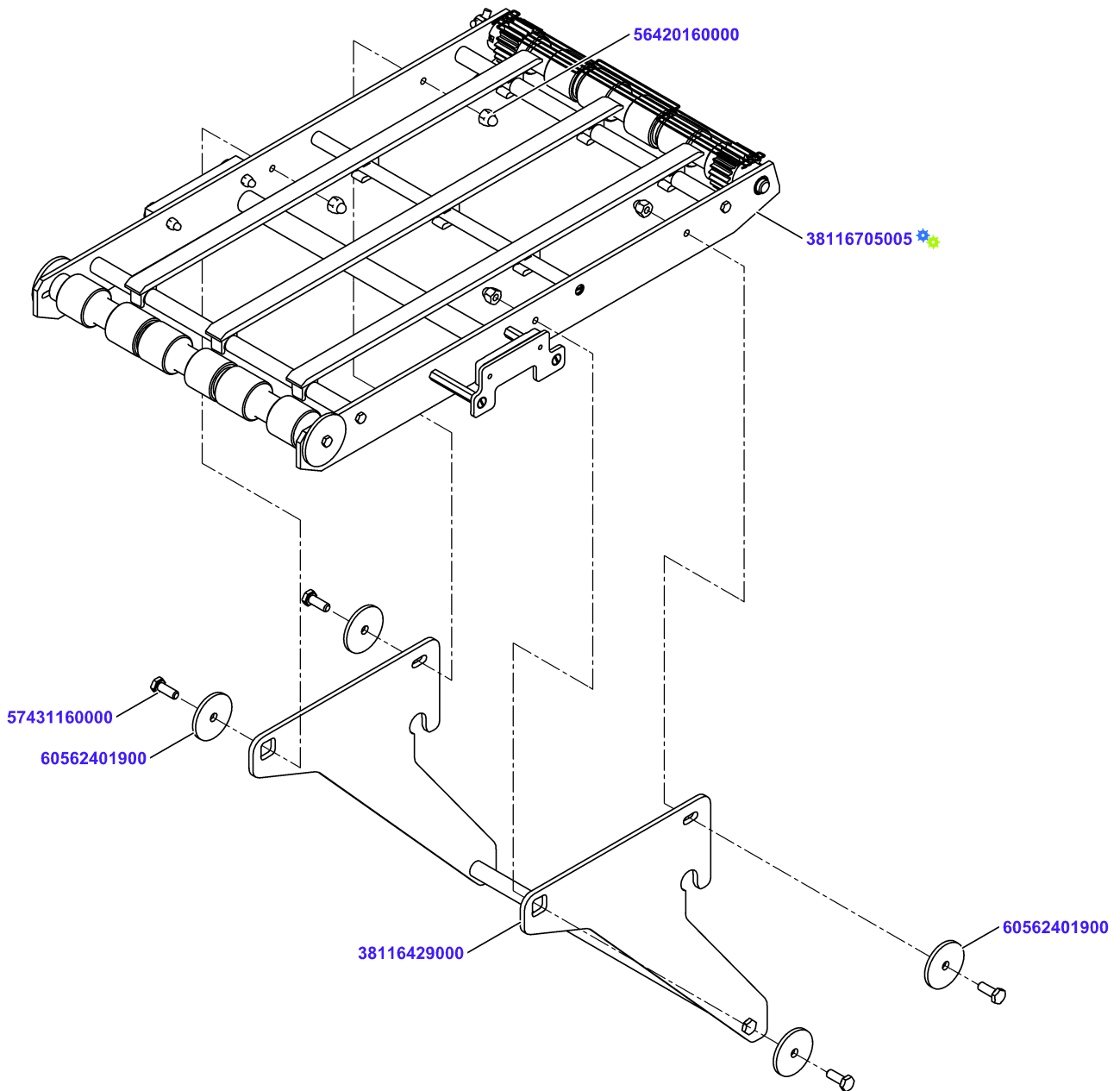
# Conveyor Mounting cpl

Material No.	Qty	Material description
--------------	-----	----------------------

<a href="#">38116413000</a>	2	Plate 236 x 241 x 4
<a href="#">38070456001</a>	1	Axis 265x12
<a href="#">57431160000</a>	2	Hexagon screw DIN933 M6x16 A2-70
<a href="#">95972950002</a>	0,002	Loctite 243 50 ml

available for order	Wear part	Recomm. sp. part	Metr. relevance
			
			
			
			

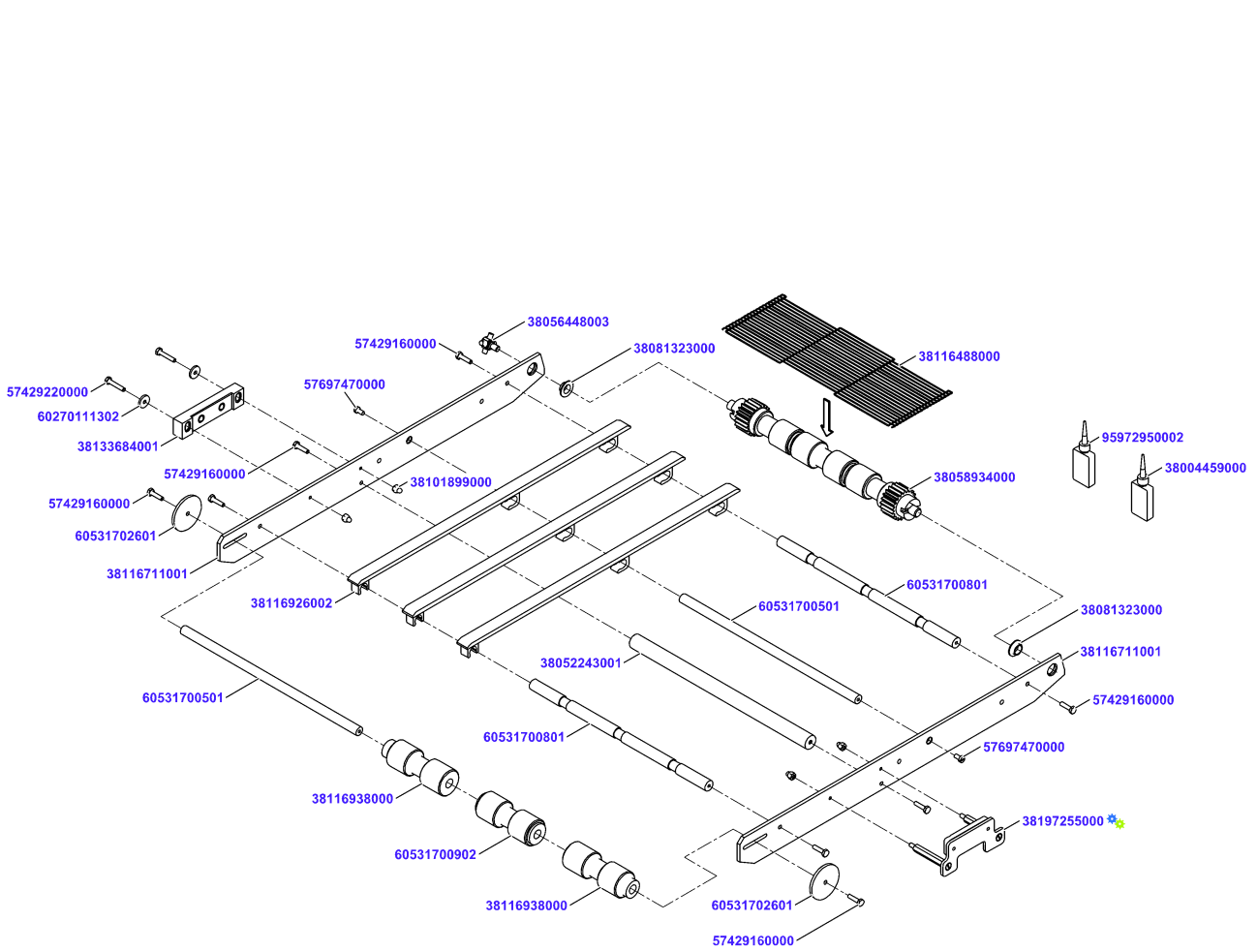
# Conveyor Belt 475 mm cpl.



## Conveyor Belt 475 mm cpl.

Material No.	Qty	Material description	available for order	Wear part	Recomm. sp. part	Metr. relevance
<a href="#">38116705005</a>	1	Conveyor Belt 475 mm prem.				
<a href="#">38116429000</a>	1	Conveyor Mounting cpl				
<a href="#">60562401900</a>	4	Washer 36x6,5x3	✓			
<a href="#">57431160000</a>	4	Hexagon screw DIN933 M6x16 A2-70	✓			
<a href="#">56420160000</a>	4	Cap nut DIN986-M6-A2	✓			

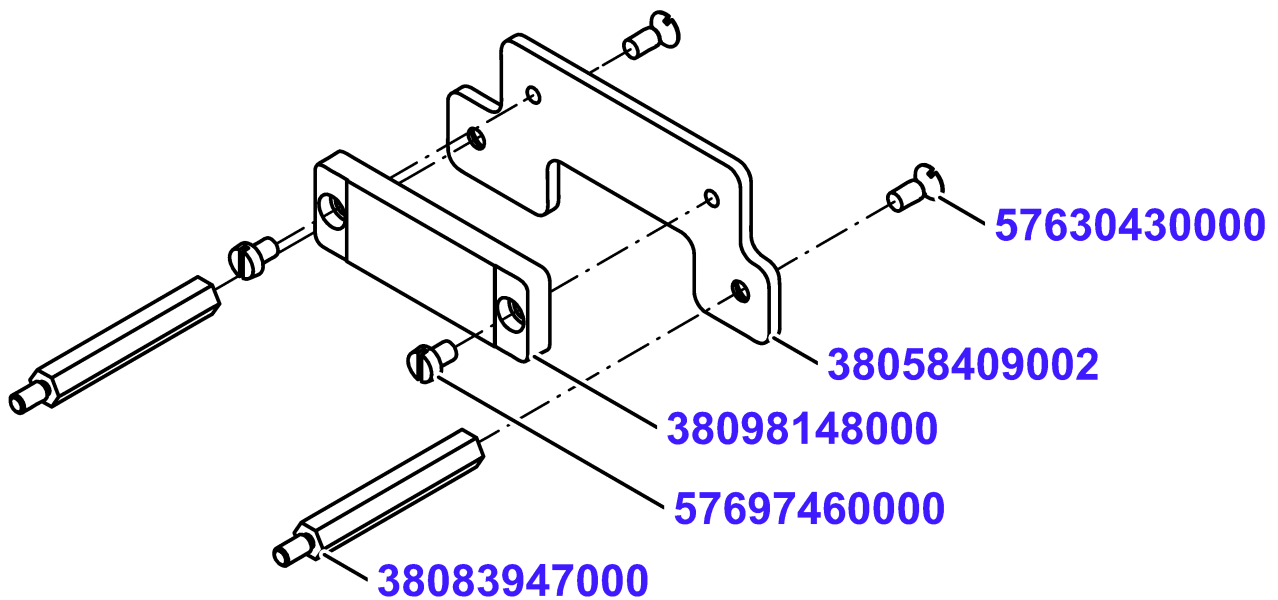
# Conveyor Belt 475 mm prem.



# Conveyor Belt 475 mm prem.

Material No.	Qty	Material description	available for order	Wear part	Recomm. sp. part	Metr. relevance
<a href="#">38056448003</a>	1	Coupling Element	✓	✓	✓	
<a href="#">95972950002</a>	0,001	Loctite 243 50 ml	✓			
<a href="#">38116711001</a>	2	Side Part 475 x 40 x 4	✓			
<a href="#">38058934000</a>	1	Drive Roller preass	✓			
<a href="#">38081323000</a>	2	Sleeve Bearing 1012-5	✓	✓	✓	
<a href="#">38116938000</a>	2	Bushing 30 x 10,15 x 88,6	✓			
<a href="#">60531700902</a>	1	Roller	✓			
<a href="#">60531700501</a>	1	Axle 10 x 257	✓			
<a href="#">60531700501</a>	1	Axle 10 x 257	✓			
<a href="#">60531700801</a>	2	Fixing Axle 12 x 257	✓			
<a href="#">38116926002</a>	3	Ledge preassembled 15 x 387,5	✓			
<a href="#">57697470000</a>	2	Cylinder screw DIN84 M4x8-A2-70	✓			
<a href="#">38004459000</a>	0,002	Loctite 648	✓			
<a href="#">57429160000</a>	6	Hexagon screw DIN933 M4x16 A2-70	✓			
<a href="#">38133684001</a>	1	Plug-in support mounted	✓			
<a href="#">57429220000</a>	2	Hexagon screw DIN933 M4x22 A2-70	✓			
<a href="#">60270111302</a>	2	Washer	✓			
<a href="#">38101899000</a>	4	Cap nut DIN986-M4-A2	✓			
<a href="#">38052243001</a>	1	Sliding Bolt mount.	✓			
<a href="#">57429160000</a>	2	Hexagon screw DIN933 M4x16 A2-70	✓			
<a href="#">60531702601</a>	2	Washer 40x4,5x3	✓			
<a href="#">38116488000</a>	1	Netting Ribbon 950 mm	✓			
<a href="#">38197255000</a>	1	Microtriple-Reflector 20x40 pre mounted	✓			

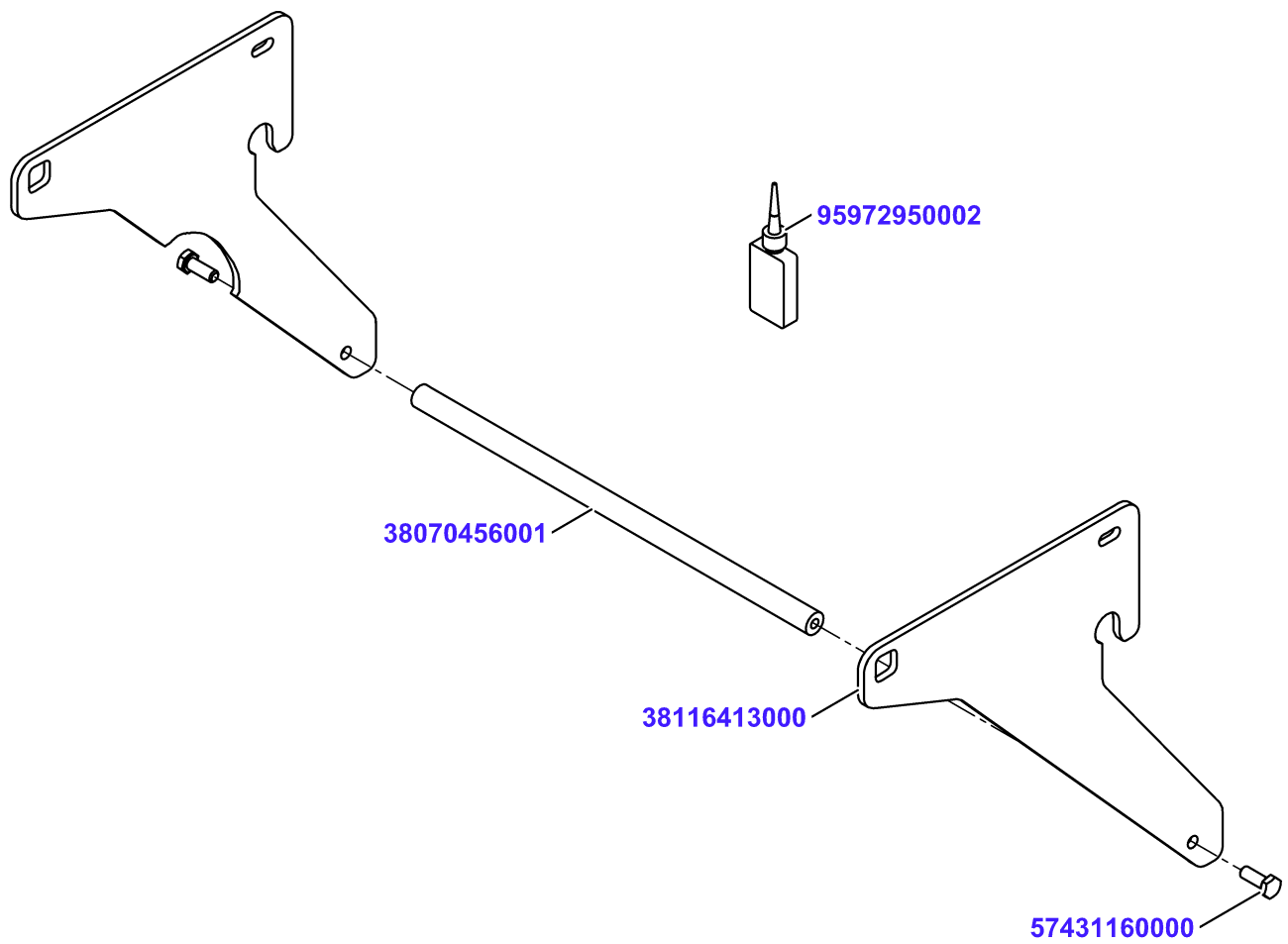
## Microtriple-Reflector 20x40 pre mounted



## Microtriple-Reflector 20x40 pre mounted

Material No.	Qty	Material description	available for order	Wear part	Recomm. sp. part	Metr. relevance
<a href="#">38098148000</a>	1	Microtriple-Reflector 20x40	✓			
<a href="#">38058409002</a>	1	Sheet 90x38,5x3	✓			
<a href="#">57697460000</a>	2	Cylinder screw DIN84 M4x6-A2-70	✓			
<a href="#">57630430000</a>	2	Countersunk screw DIN963 M4x10-A2-70	✓			
<a href="#">95972950002</a>	0,002	Loctite 243 50 ml	✓			
<a href="#">38083947000</a>	2	Distance bolt SW7x45 M4-M4 In-Out	✓			

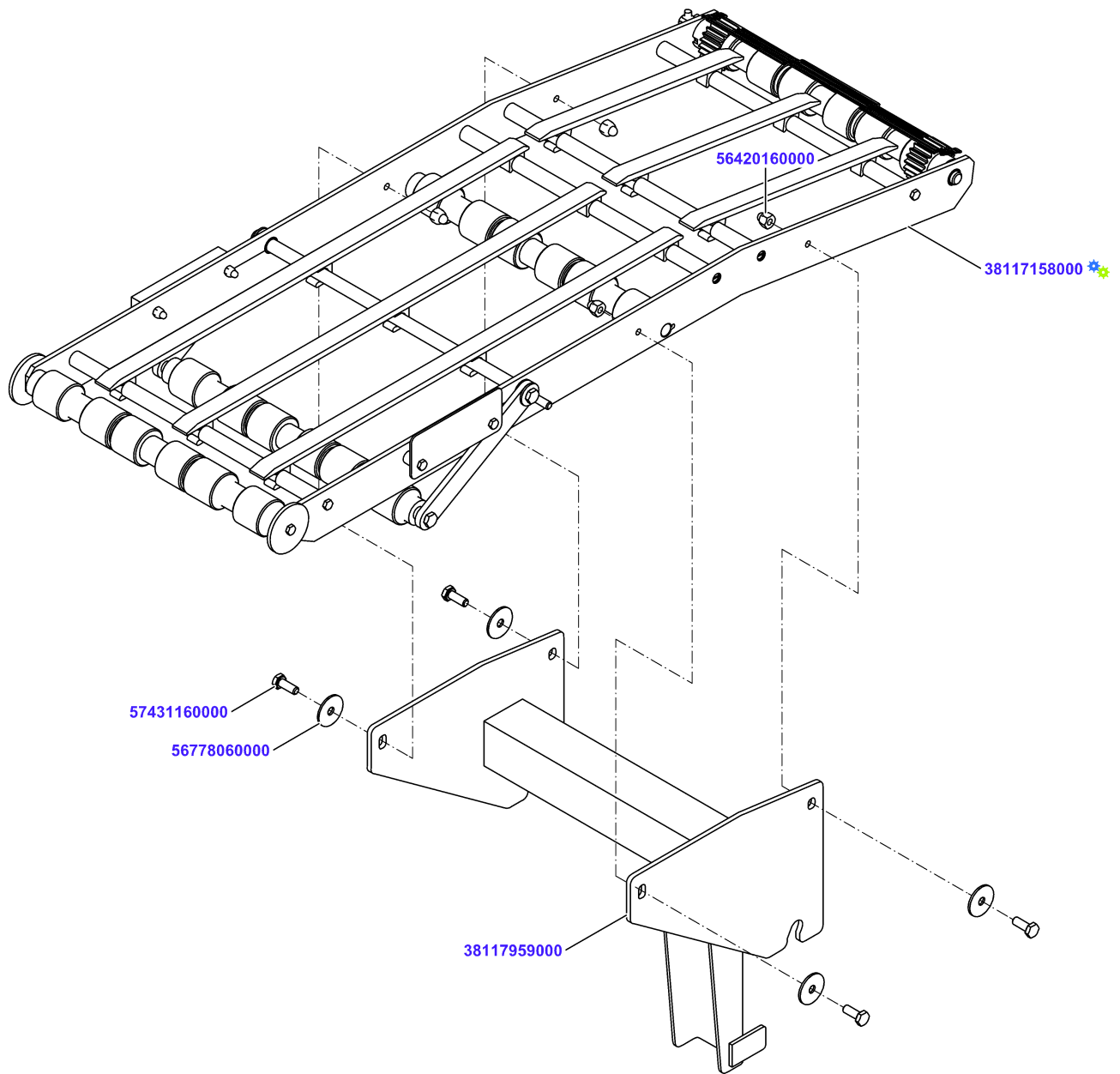
# Conveyor Mounting cpl



# Conveyor Mounting cpl

Material No.	Qty	Material description	available for order	Wear part	Recomm. sp. part	Metr. relevance
<a href="#">38116413000</a>	2	Plate 236 x 241 x 4	✓			
<a href="#">38070456001</a>	1	Axis 265x12	✓			
<a href="#">57431160000</a>	2	Hexagon screw DIN933 M6x16 A2-70	✓			
<a href="#">95972950002</a>	0,002	Loctite 243 50 ml	✓			

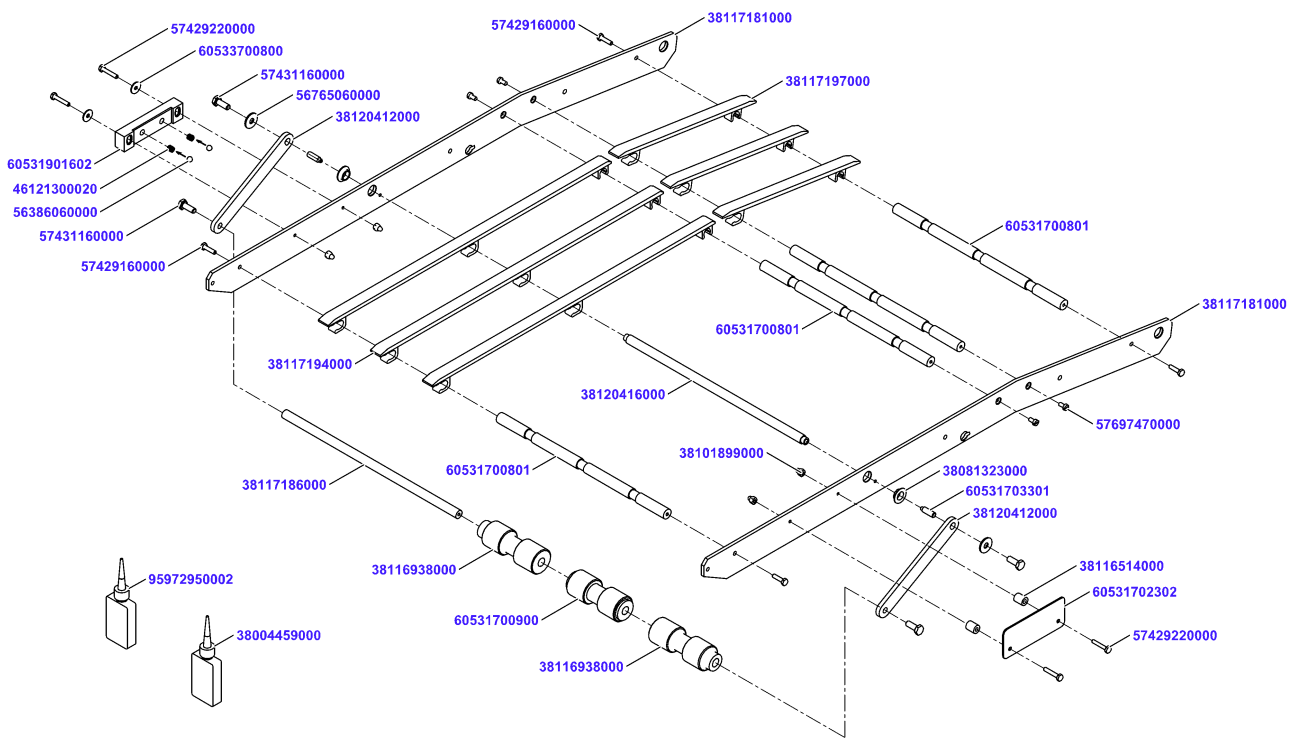
# Conveyor Belt 720 mm cpl.



# Conveyor Belt 720 mm cpl.

Material No.	Qty	Material description	available for order	Wear part	Recomm. sp. part	Metr. relevance
<a href="#">38117158000</a>	1	Conveyor Belt 720 mm prem.	✓			
<a href="#">38117959000</a>	1	Traverse welded 200 x 265	✓			
<a href="#">57431160000</a>	4	Hexagon screw DIN933 M6x16 A2-70	✓			
<a href="#">56778060000</a>	4	Washer 6-A2	✓			
<a href="#">56420160000</a>	4	Cap nut DIN986-M6-A2	✓			

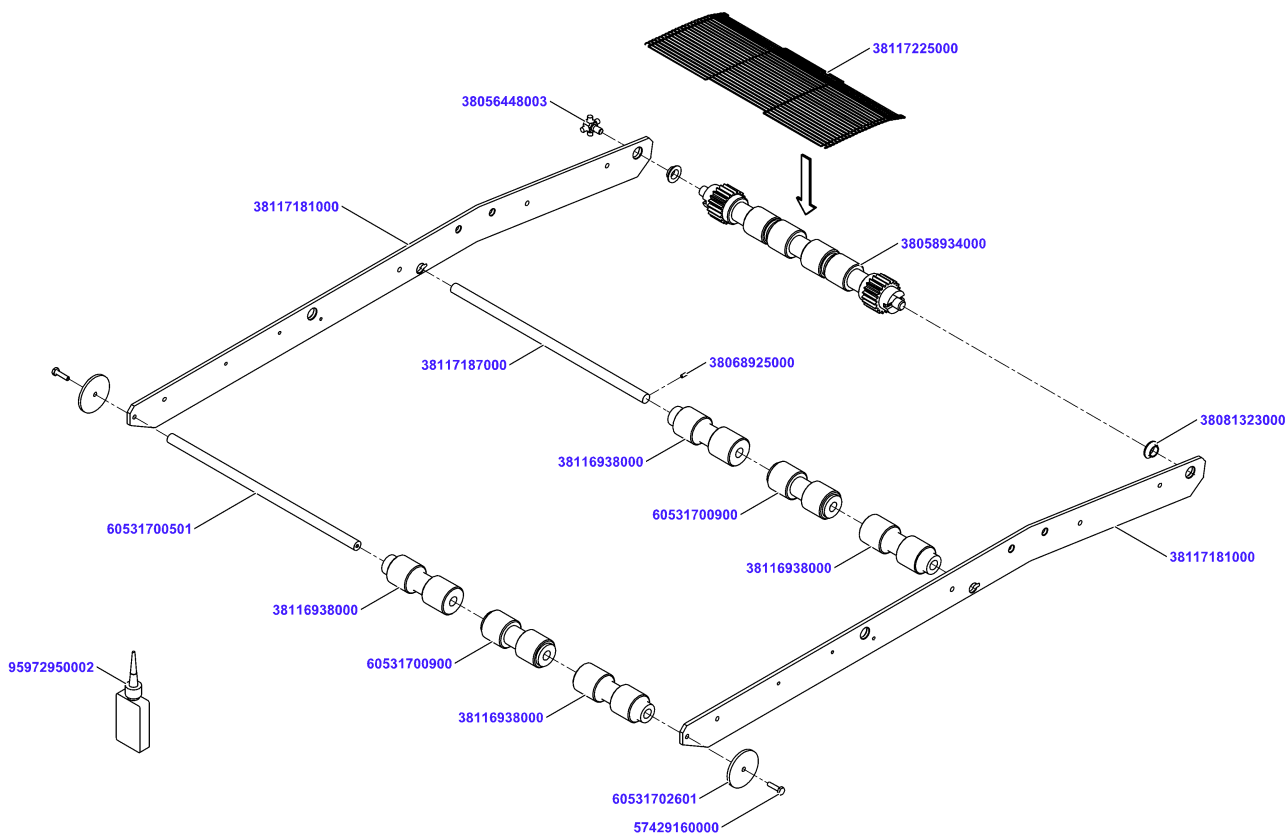
# Conveyor Belt 720 mm prem.



# Conveyor Belt 720 mm prem.

Material No.	Qty	Material description	available for order	Wear part	Recomm. sp. part	Metr. relevance
95972950002	0,001	Loctite 243 50 ml	✓			
38117181000	2	Side Part 720 x 73 x 4	✓			
38081323000	4	Sleeve Bearing 1012-5	✓	✓	✓	
60531700801	4	Fixing Axle 12 x 257	✓			
38117197000	3	Ledge preassembled 214 x 15 x 5	✓			
38117194000	3	Ledge preassembled 435 x 15 x 5	✓			
38116938000	6	Bushing 30 x 10,15 x 88,6	✓			
60531700900	3	PULLEY	✓			
38117186000	1	Axis 10 x 267,4	✓			
38120412000	2	Sheet adapter tensioning roller 138x18x5	✓			
60531703301	2	Bolt 6x4x20	✓			
57429160000	6	Hexagon screw DIN933 M4x16 A2-70	✓			
57431160000	4	Hexagon screw DIN933 M6x16 A2-70	✓			
60531702302	1	Mirror V2A 94x38x1,5	✓			
57429220000	2	Hexagon screw DIN933 M4x22 A2-70	✓			
38116514000	2	Spacer Sleeve 4,5 x 10 x 12	✓			
60531901602	1	Plug-in support	✓			
56386060000	2	Ball DIN5401 6-1.4034	✓			
46121300020	2	PRESSURE SPRING 6121300020	✓			
60533700800	2	cover plate 10	✓			
57429220000	2	Hexagon screw DIN933 M4x22 A2-70	✓			
38101899000	4	Cap nut DIN986-M4-A2	✓			
57697470000	4	Cylinder screw DIN84 M4x8-A2-70	✓			
38004459000	0,001	Loctite 648	✓			
56765060000	2	Washer DIN9021-6-A2	✓			
38120416000	1	Axis 10 x 277	✓			

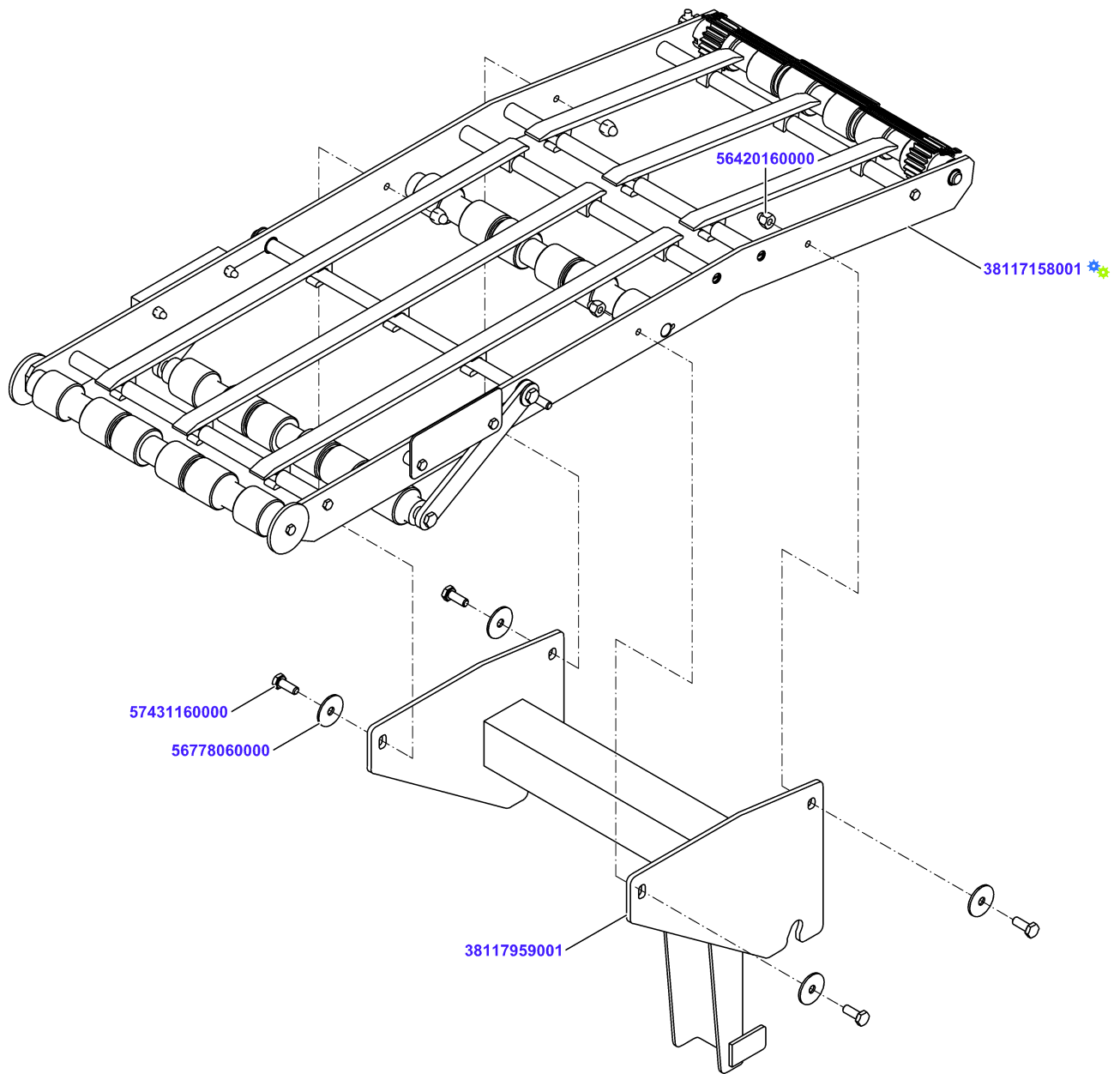
# Conveyor Belt 720 mm prem.



## Conveyor Belt 720 mm prem.

Material No.	Qty	Material description	available for order	Wear part	Recomm. sp. part	Metr. relevance
<a href="#">38056448003</a>	1	Coupling Element	✓	✓	✓	
<a href="#">95972950002</a>	0,001	Loctite 243 50 ml	✓			
<a href="#">38058934000</a>	1	Drive Roller preass	✓			
<a href="#">38117181000</a>	2	Side Part 720 x 73 x 4	✓			
<a href="#">38081323000</a>	4	Sleeve Bearing 1012-5	✓	✓	✓	
<a href="#">38116938000</a>	6	Bushing 30 x 10,15 x 88,6	✓			
<a href="#">60531700900</a>	3	PULLEY	✓			
<a href="#">60531700501</a>	1	Axle 10 x 257	✓			
<a href="#">38117187000</a>	1	Axis 10 x 264	✓			
<a href="#">38068925000</a>	1	Cylindrical pin EN 22338-3m6x6-A2	✓			
<a href="#">60531702601</a>	2	Washer 40x4,5x3	✓			
<a href="#">57429160000</a>	6	Hexagon screw DIN933 M4x16 A2-70	✓			
<a href="#">38117225000</a>	1	Netting Ribbon 1512 mm	✓	✓	✓	

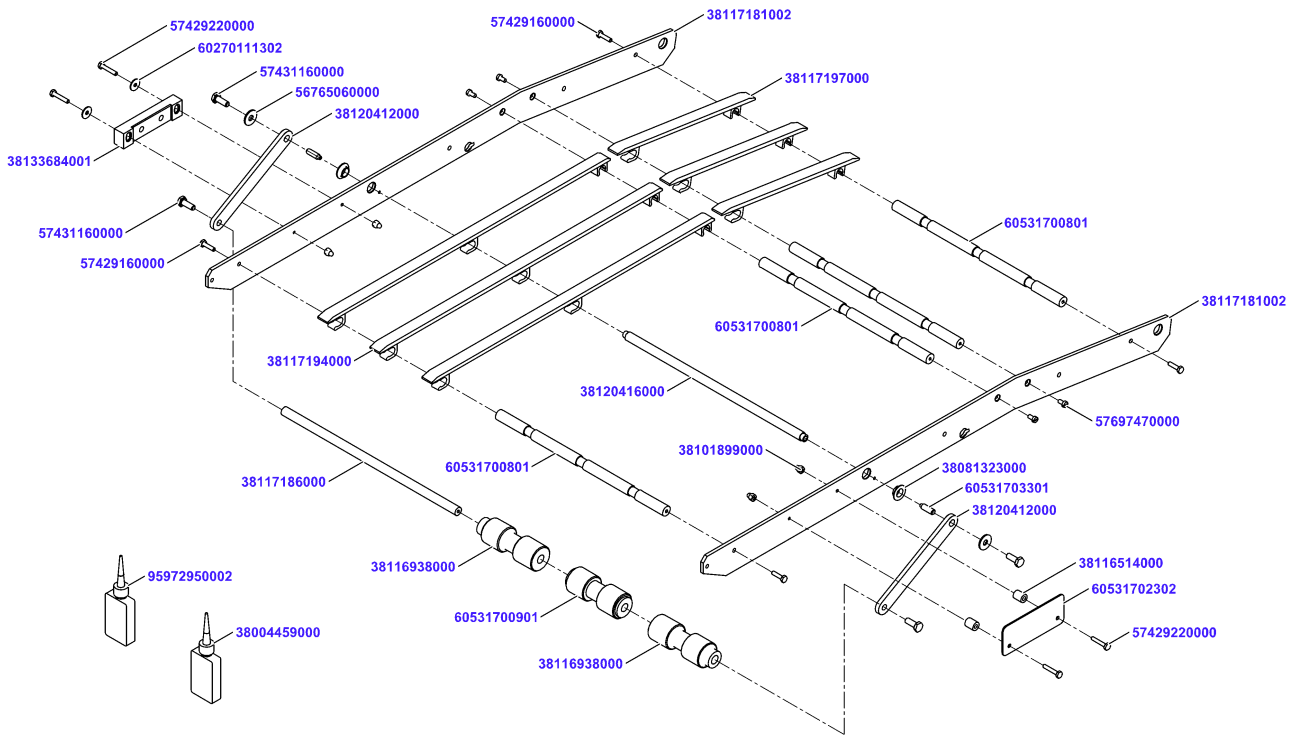
# Conveyor Belt 720 mm cpl.



# Conveyor Belt 720 mm cpl.

Material No.	Qty	Material description	available for order	Wear part	Recomm. sp. part	Metr. relevance
<a href="#">38117158001</a>	1	Conveyor Belt 720 mm pre.	✓			
<a href="#">38117959001</a>	1	Traverse welded 200 x 265	✓			
<a href="#">57431160000</a>	4	Hexagon screw DIN933 M6x16 A2-70	✓			
<a href="#">56778060000</a>	4	Washer 6-A2	✓			
<a href="#">56420160000</a>	4	Cap nut DIN986-M6-A2	✓			

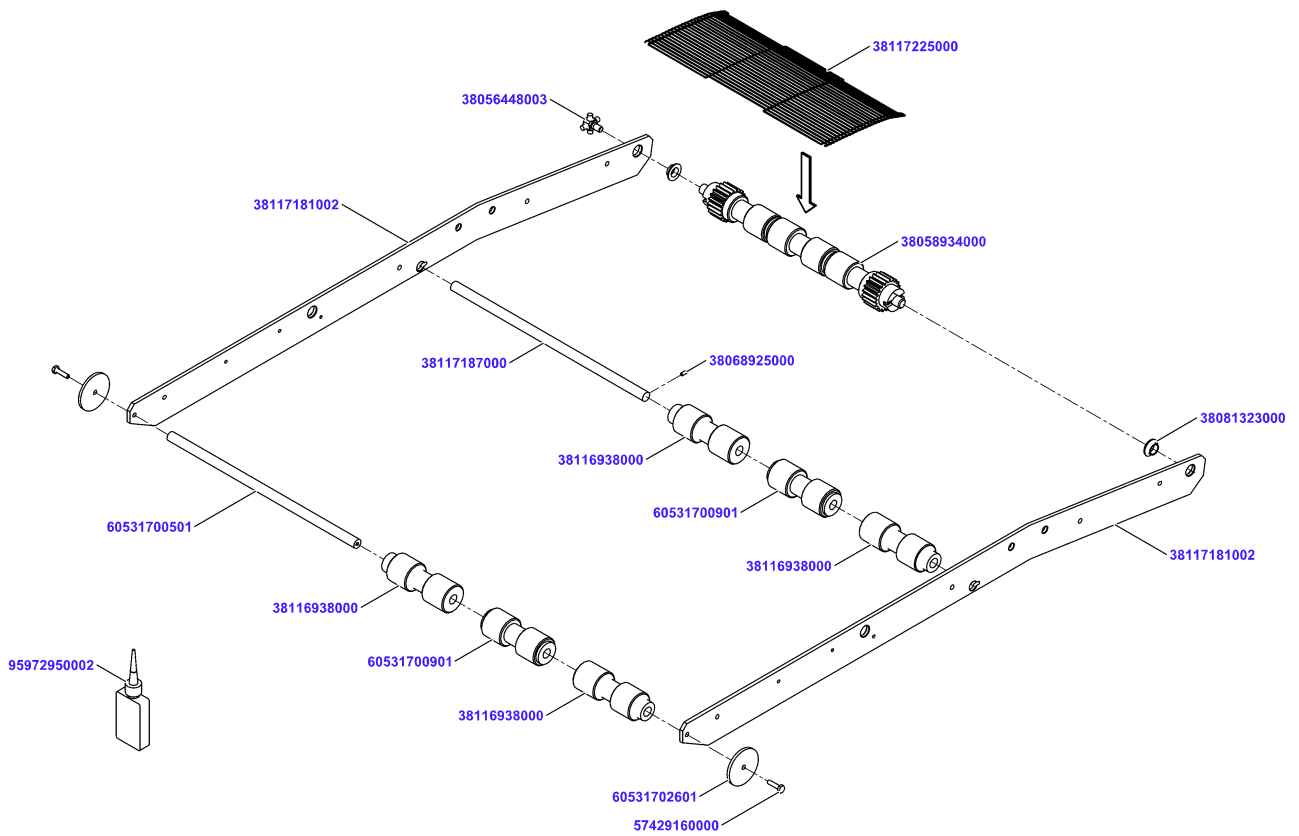
# Conveyor Belt 720 mm pre.



# Conveyor Belt 720 mm pre.

Material No.	Qty	Material description	available for order	Wear part	Recomm. sp. part	Metr. relevance
95972950002	0,001	Loctite 243 50 ml	✓			
38117181002	2	Side Part 720 x 73 x 4	✓			
38081323000	4	Sleeve Bearing 1012-5	✓	✓	✓	
60531700801	4	Fixing Axle 12 x 257	✓			
38117197000	3	Ledge preassembled 214 x 15 x 5	✓			
38117194000	3	Ledge preassembled 435 x 15 x 5	✓			
38116938000	6	Bushing 30 x 10,15 x 88,6	✓			
60531700901	3	Roller	✓			
38117186000	1	Axis 10 x 267,4	✓			
38120412000	2	Sheet adapter tensioning roller 138x18x5	✓			
60531703301	2	Bolt 6x4x20	✓			
95972950002	0,002	Loctite 243 50 ml	✓			
95972950002	0,001	Loctite 243 50 ml	✓			
57429160000	6	Hexagon screw DIN933 M4x16 A2-70	✓			
95972950002	0,006	Loctite 243 50 ml	✓			
57431160000	4	Hexagon screw DIN933 M6x16 A2-70	✓			
95972950002	0,004	Loctite 243 50 ml	✓			
60531702302	1	Mirror V2A 94x38x1,5	✓			
57429220000	2	Hexagon screw DIN933 M4x22 A2-70	✓			
38116514000	2	Spacer Sleeve 4,5 x 10 x 12	✓			
38133684001	1	Plug-in support mounted	✓			
60270111302	2	Washer	✓			
57429220000	2	Hexagon screw DIN933 M4x22 A2-70	✓			
38101899000	4	Cap nut DIN986-M4-A2	✓			
57697470000	4	Cylinder screw DIN84 M4x8-A2-70	✓			
38004459000	0,004	Loctite 648	✓			
56765060000	2	Washer DIN9021-6-A2	✓			
38120416000	1	Axis 10 x 277	✓			

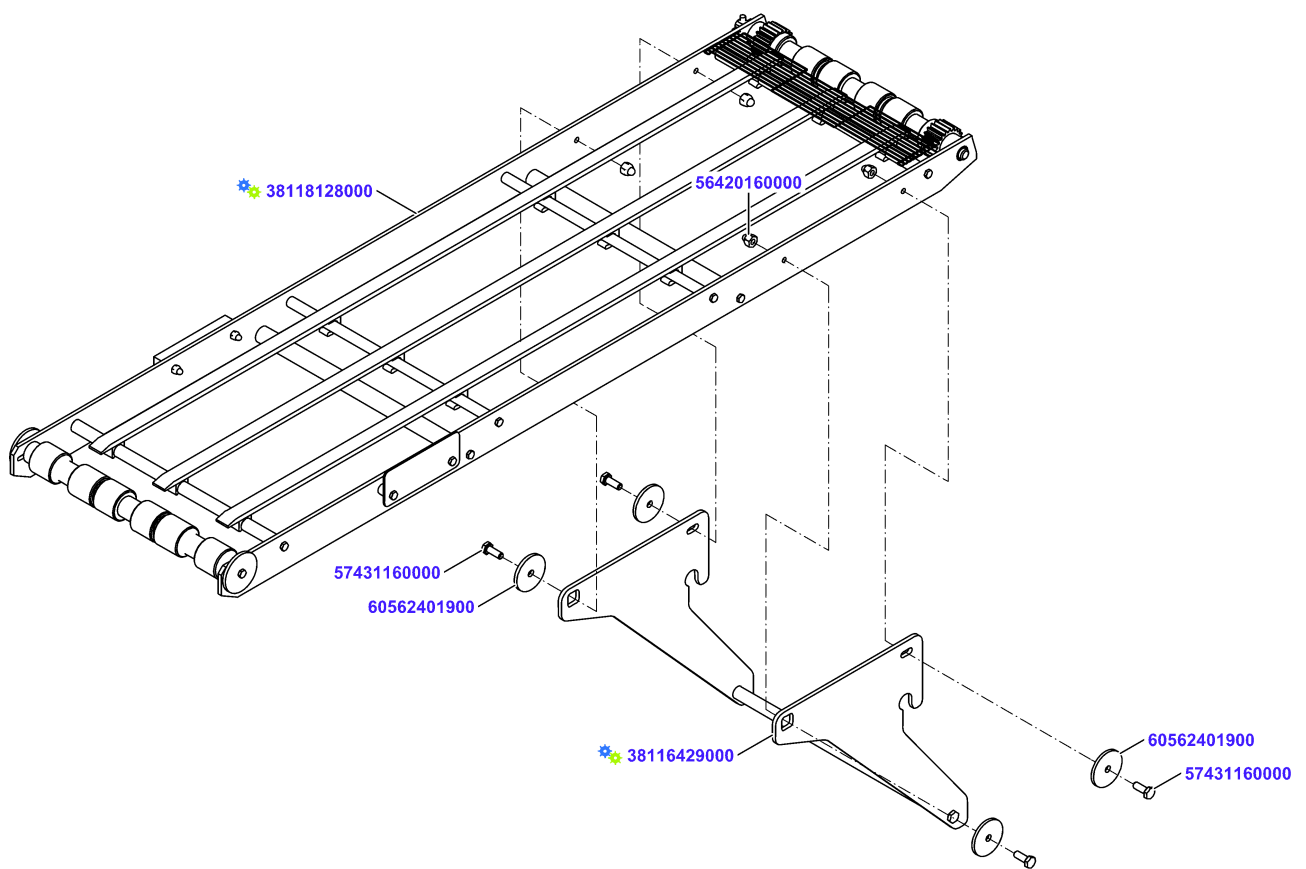
# Conveyor Belt 720 mm pre.



## Conveyor Belt 720 mm pre.

Material No.	Qty	Material description	available for order	Wear part	Recomm. sp. part	Metr. relevance
<a href="#">38056448003</a>	1	Coupling Element	✓	✓	✓	
<a href="#">95972950002</a>	0,001	Loctite 243 50 ml	✓			
<a href="#">38058934000</a>	1	Drive Roller preass	✓			
<a href="#">38117181002</a>	2	Side Part 720 x 73 x 4	✓			
<a href="#">38081323000</a>	4	Sleeve Bearing 1012-5	✓	✓	✓	
<a href="#">38116938000</a>	6	Bushing 30 x 10,15 x 88,6	✓			
<a href="#">60531700901</a>	3	Roller	✓			
<a href="#">60531700501</a>	1	Axle 10 x 257	✓			
<a href="#">95972950002</a>	0,002	Loctite 243 50 ml	✓			
<a href="#">38117187000</a>	1	Axis 10 x 264	✓			
<a href="#">38068925000</a>	1	Cylindrical pin EN 22338-3m6x6-A2	✓			
<a href="#">95972950002</a>	0,001	Loctite 243 50 ml	✓			
<a href="#">60531702601</a>	2	Washer 40x4,5x3	✓			
<a href="#">57429160000</a>	6	Hexagon screw DIN933 M4x16 A2-70	✓			
<a href="#">95972950002</a>	0,006	Loctite 243 50 ml	✓			
<a href="#">95972950002</a>	0,004	Loctite 243 50 ml	✓			
<a href="#">38117225000</a>	1	Netting Ribbon 1512 mm	✓	✓	✓	

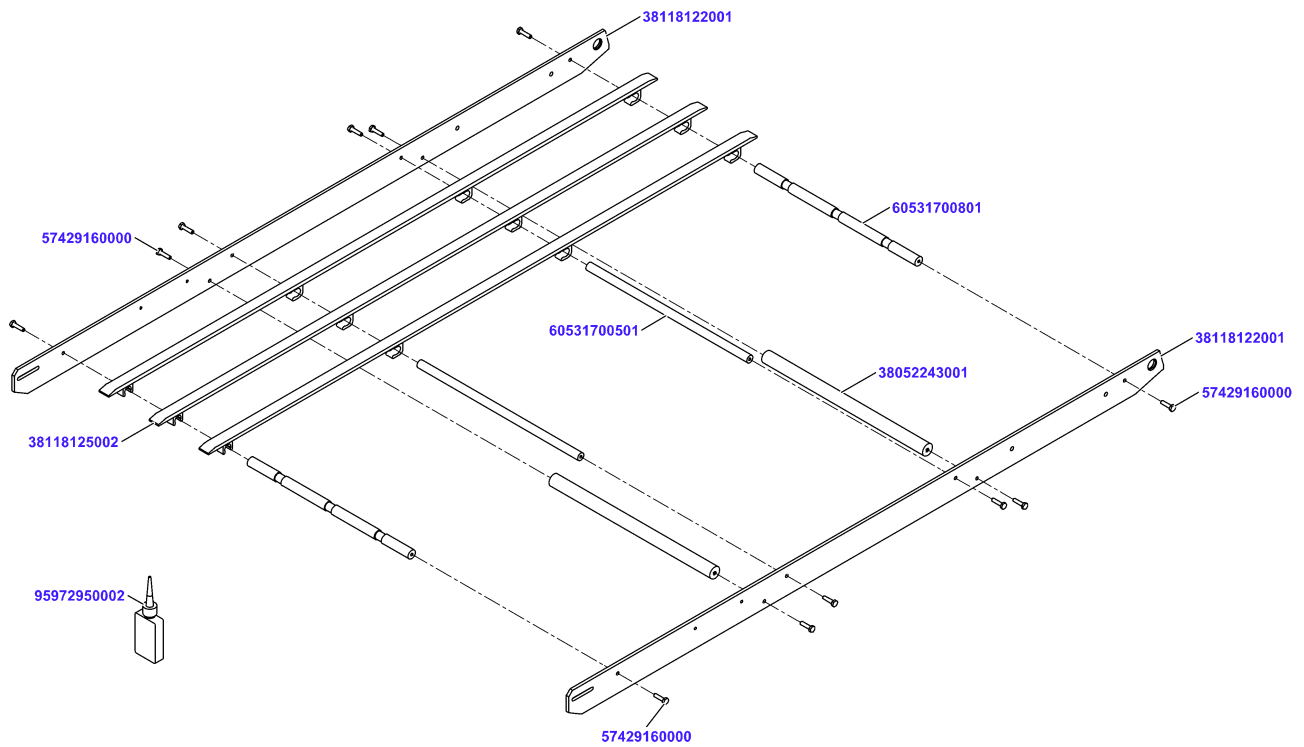
# Conveyor Belt 910 mm cpl













# Conveyor Belt 910 mm cpl

Material No.	Qty	Material description	available for order	Wear part	Recomm. sp. part	Metr. relevance
<a href="#">38118128000</a>	1	Conveyor Belt 910 mm prem.				
<a href="#">38116429000</a>	1	Conveyor Mounting cpl				
<a href="#">57431160000</a>	4	Hexagon screw DIN933 M6x16 A2-70	✓			
<a href="#">60562401900</a>	4	Washer 36x6,5x3	✓			
<a href="#">56420160000</a>	4	Cap nut DIN986-M6-A2	✓			

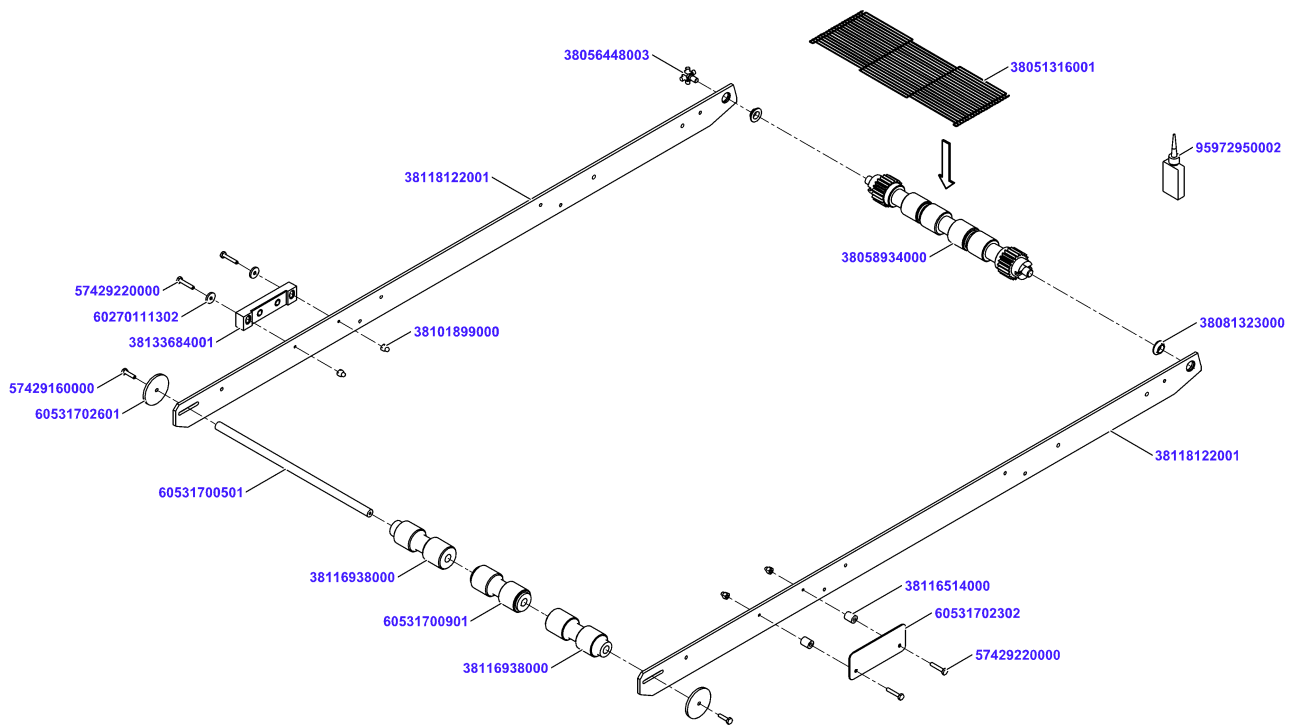
# Conveyor Belt 910 mm prem.



## Conveyor Belt 910 mm prem.

Material No.	Qty	Material description	available for order	Wear part	Recomm. sp. part	Metr. relevance
<a href="#">38118122001</a>	2	Side Part 950 x 40 x 4				
<a href="#">95972950002</a>	0,001	Loctite 243 50 ml				
<a href="#">60531700801</a>	2	Fixing Axle 12 x 257				
<a href="#">60531700501</a>	2	Axle 10 x 257				
<a href="#">57429160000</a>	8	Hexagon screw DIN933 M4x16 A2-70				
<a href="#">38118125002</a>	3	Ledge preassembled 877 x 15 x 5				
<a href="#">60531700501</a>	1	Axle 10 x 257				
<a href="#">57429160000</a>	2	Hexagon screw DIN933 M4x16 A2-70				
<a href="#">38052243001</a>	2	Sliding Bolt mount.				
<a href="#">57429160000</a>	4	Hexagon screw DIN933 M4x16 A2-70				

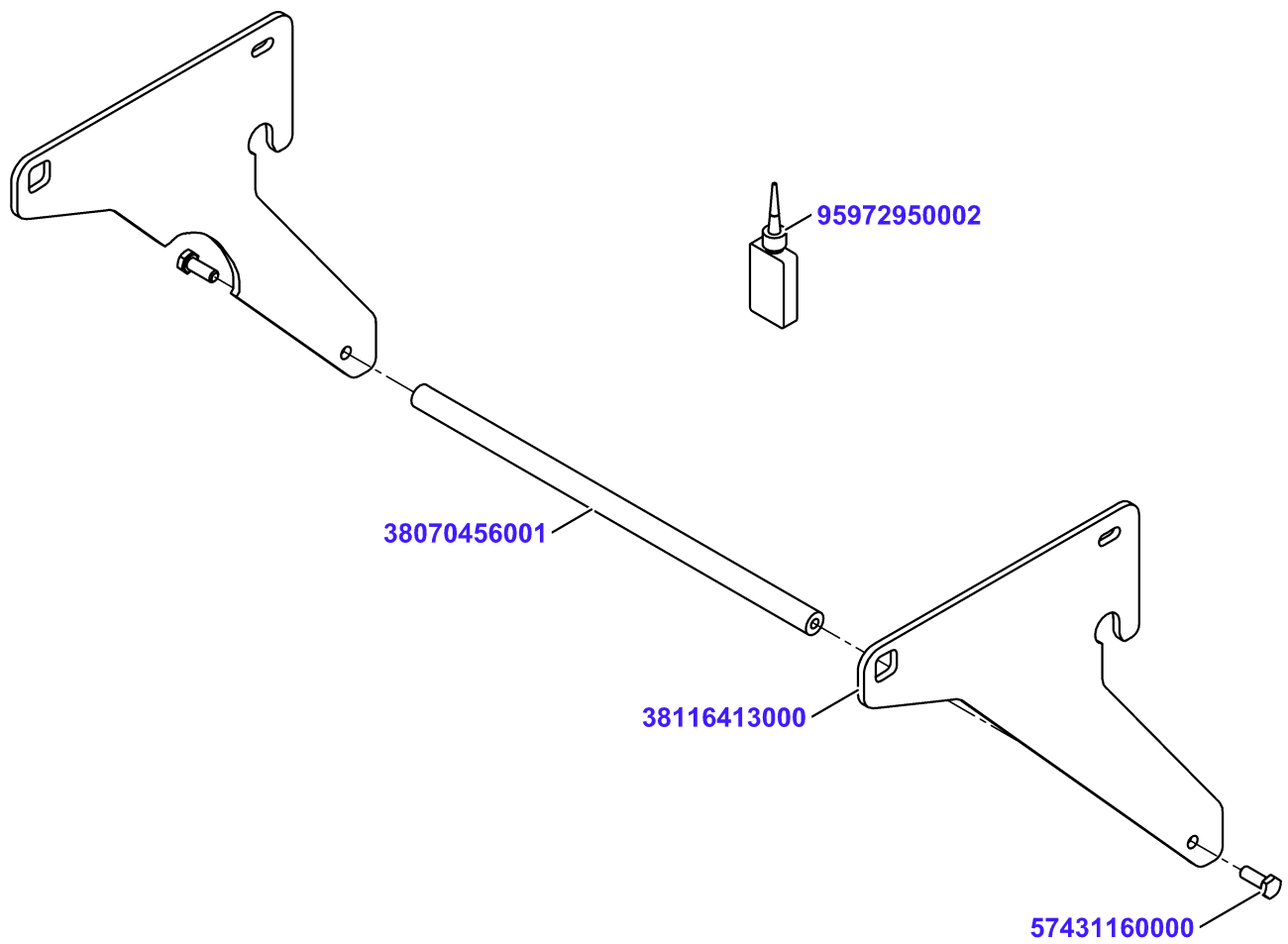
# Conveyor Belt 910 mm prem.



# Conveyor Belt 910 mm prem.

Material No.	Qty	Material description	available for order	Wear part	Recomm. sp. part	Metr. relevance
<a href="#">38118122001</a>	2	Side Part 950 x 40 x 4	✓	✓		
<a href="#">38081323000</a>	2	Sleeve Bearing 1012-5	✓	✓	✓	
<a href="#">38058934000</a>	1	Drive Roller preass	✓	✓		
<a href="#">38056448003</a>	1	Coupling Element	✓	✓	✓	
<a href="#">95972950002</a>	0,001	Loctite 243 50 ml	✓	✓		
<a href="#">60531700501</a>	2	Axle 10 x 257	✓	✓		
<a href="#">57429160000</a>	8	Hexagon screw DIN933 M4x16 A2-70	✓	✓		
<a href="#">60531700501</a>	1	Axle 10 x 257	✓	✓		
<a href="#">38116938000</a>	2	Bushing 30 x 10,15 x 88,6	✓	✓		
<a href="#">60531700901</a>	1	Roller	✓	✓		
<a href="#">57429160000</a>	2	Hexagon screw DIN933 M4x16 A2-70	✓	✓		
<a href="#">60531702601</a>	2	Washer 40x4,5x3	✓	✓		
<a href="#">57429160000</a>	4	Hexagon screw DIN933 M4x16 A2-70	✓	✓		
<a href="#">38133684001</a>	1	Plug-in support mounted	✓	✓		
<a href="#">57429220000</a>	2	Hexagon screw DIN933 M4x22 A2-70	✓	✓		
<a href="#">60270111302</a>	2	Washer	✓	✓		
<a href="#">38101899000</a>	2	Cap nut DIN986-M4-A2	✓	✓		
<a href="#">60531702302</a>	1	Mirror V2A 94x38x1,5	✓	✓		
<a href="#">57429220000</a>	2	Hexagon screw DIN933 M4x22 A2-70	✓	✓		
<a href="#">38116514000</a>	2	Spacer Sleeve 4,5 x 10 x 12	✓	✓		
<a href="#">38101899000</a>	2	Cap nut DIN986-M4-A2	✓	✓		
<a href="#">38051316001</a>	1	Netting Ribbon	✓	✓	✓	

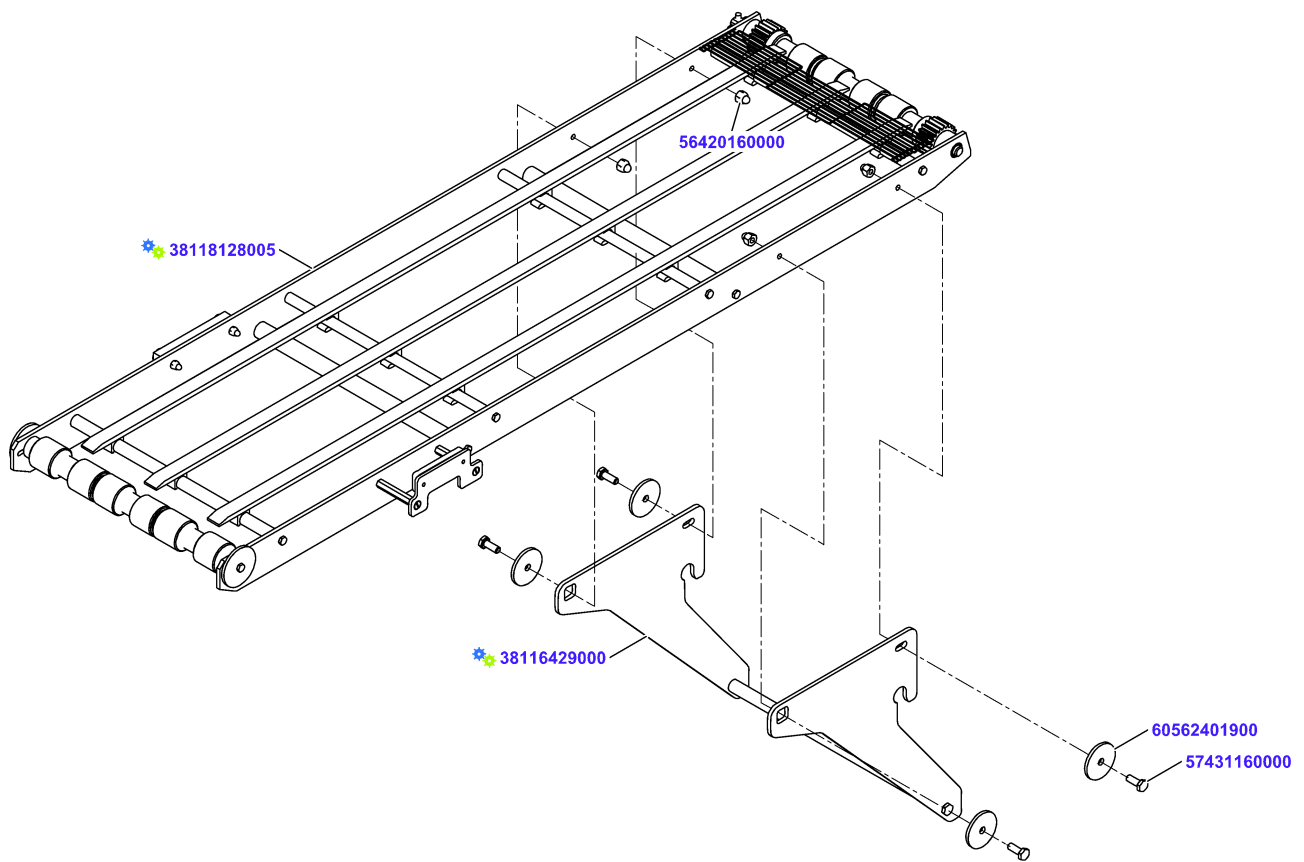
# Conveyor Mounting cpl



# Conveyor Mounting cpl

Material No.	Qty	Material description	available for order	Wear part	Recomm. sp. part	Metr. relevance
<a href="#">38116413000</a>	2	Plate 236 x 241 x 4	✓			
<a href="#">38070456001</a>	1	Axis 265x12	✓			
<a href="#">57431160000</a>	2	Hexagon screw DIN933 M6x16 A2-70	✓			
<a href="#">95972950002</a>	0,002	Loctite 243 50 ml	✓			

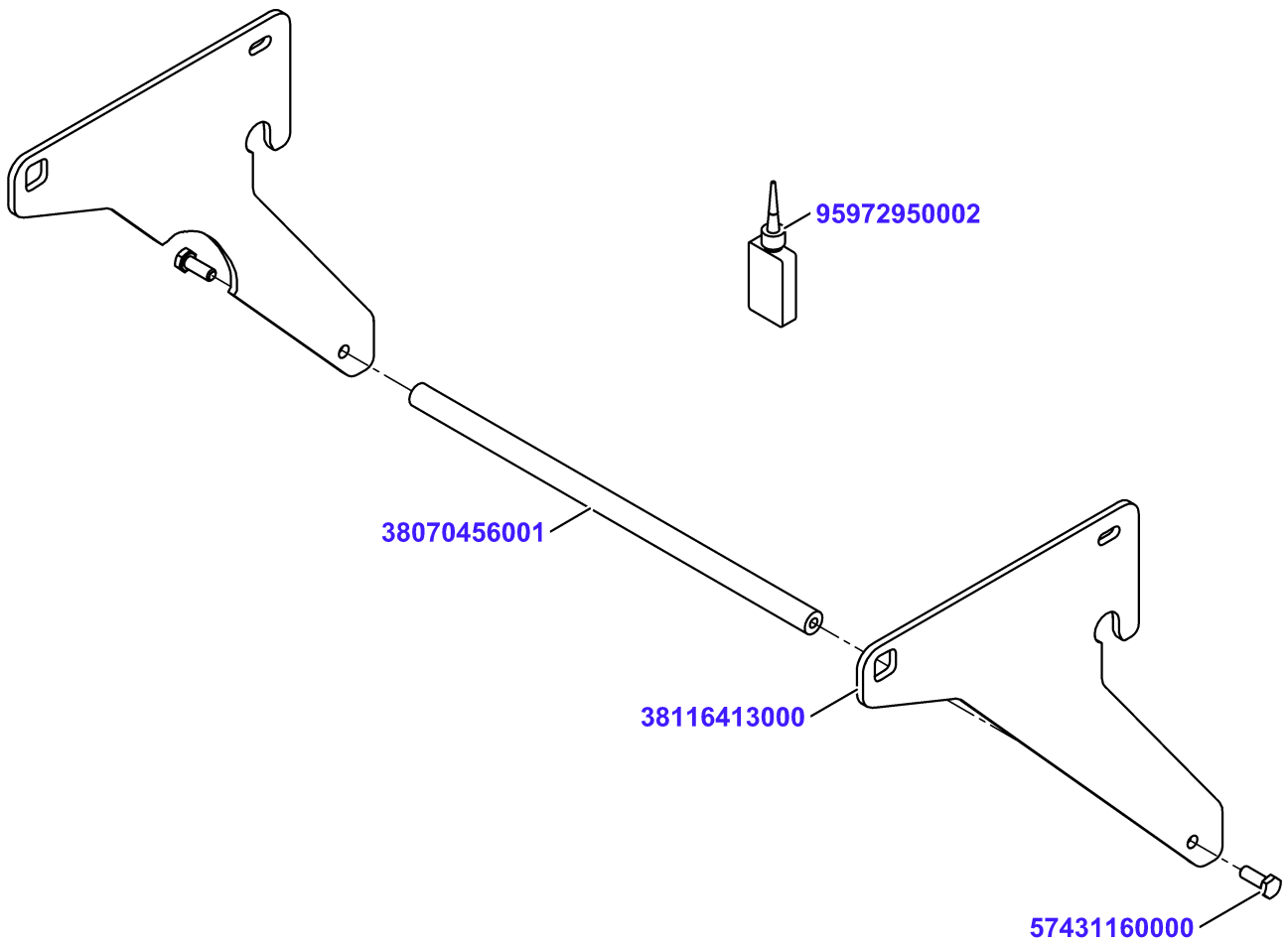
# Conveyor Belt 910 mm cpl.







## Conveyor Belt 910 mm cpl.

Material No.	Qty	Material description	available for order	Wear part	Recomm. sp. part	Metr. relevance
<a href="#">38116429000</a>	1	Conveyor Mounting cpl				
<a href="#">38118128005</a>	1	Conveyor Belt 910 mm prem.				
<a href="#">57431160000</a>	4	Hexagon screw DIN933 M6x16 A2-70	✓			
<a href="#">60562401900</a>	4	Washer 36x6,5x3	✓			
<a href="#">56420160000</a>	4	Cap nut DIN986-M6-A2	✓			

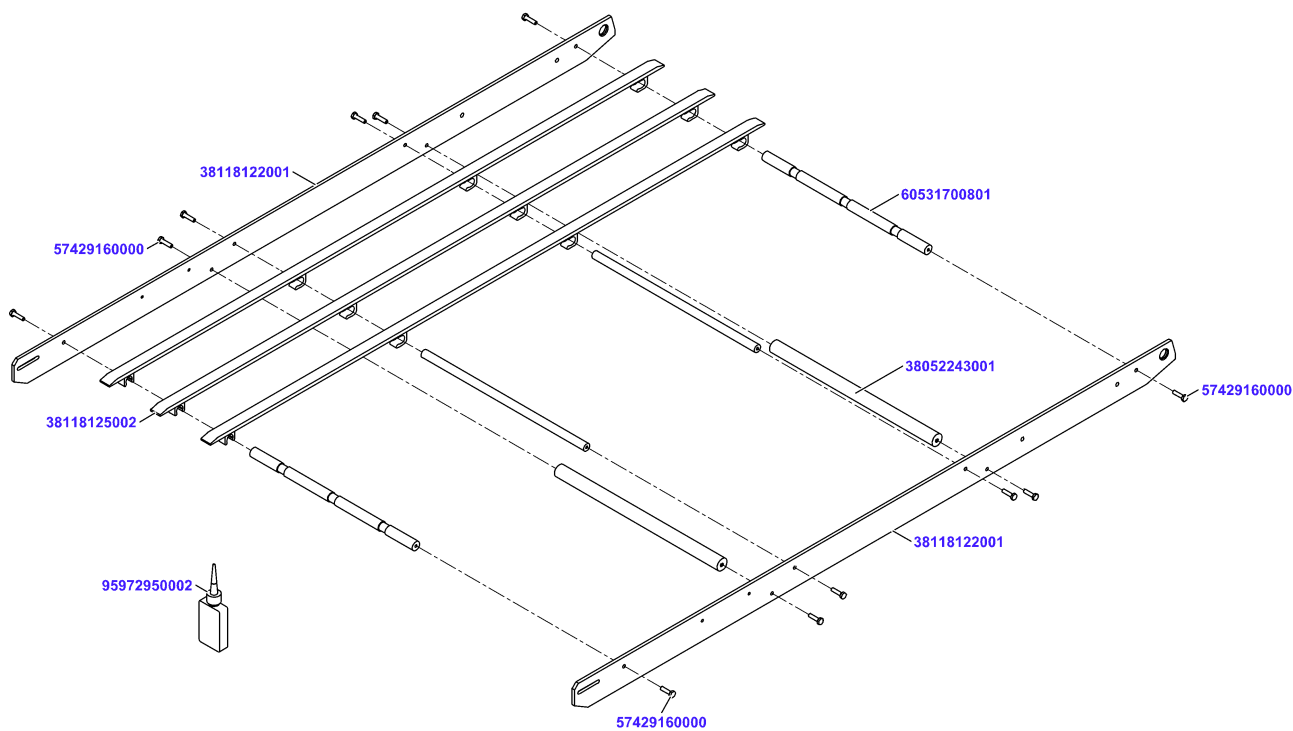
# Conveyor Mounting cpl



# Conveyor Mounting cpl

Material No.	Qty	Material description	available for order	Wear part	Recomm. sp. part	Metr. relevance
<a href="#">38116413000</a>	2	Plate 236 x 241 x 4				
<a href="#">38070456001</a>	1	Axis 265x12				
<a href="#">57431160000</a>	2	Hexagon screw DIN933 M6x16 A2-70				
<a href="#">95972950002</a>	0,002	Loctite 243 50 ml				

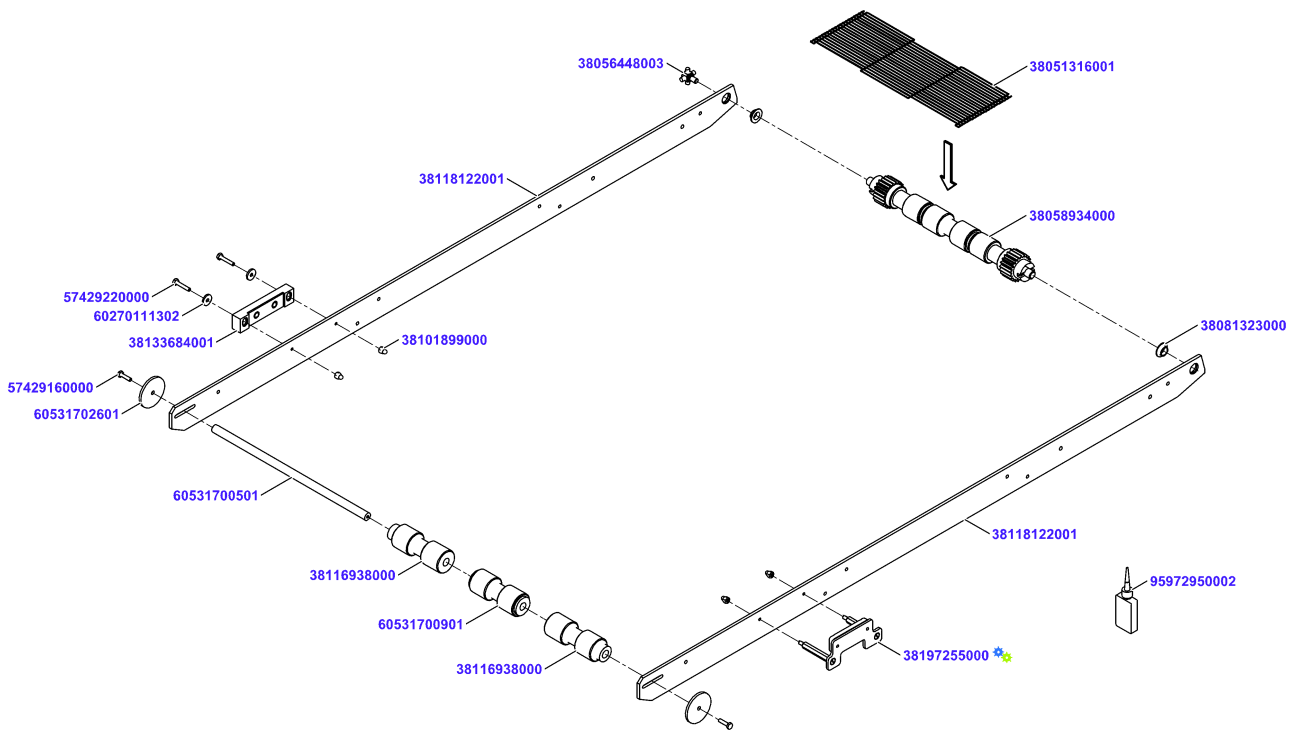
# Conveyor Belt 910 mm prem.



## Conveyor Belt 910 mm prem.

Material No.	Qty	Material description	available for order	Wear part	Recomm. sp. part	Metr. relevance
<a href="#">60531700801</a>	2	Fixing Axle 12 x 257				
<a href="#">38118125002</a>	3	Ledge preassembled 877 x 15 x 5				
<a href="#">38052243001</a>	2	Sliding Bolt mount.				
<a href="#">95972950002</a>	0,001	Loctite 243 50 ml				
<a href="#">38118122001</a>	2	Side Part 950 x 40 x 4				
<a href="#">57429160000</a>	8	Hexagon screw DIN933 M4x16 A2-70				
<a href="#">57429160000</a>	2	Hexagon screw DIN933 M4x16 A2-70				
<a href="#">57429160000</a>	4	Hexagon screw DIN933 M4x16 A2-70				

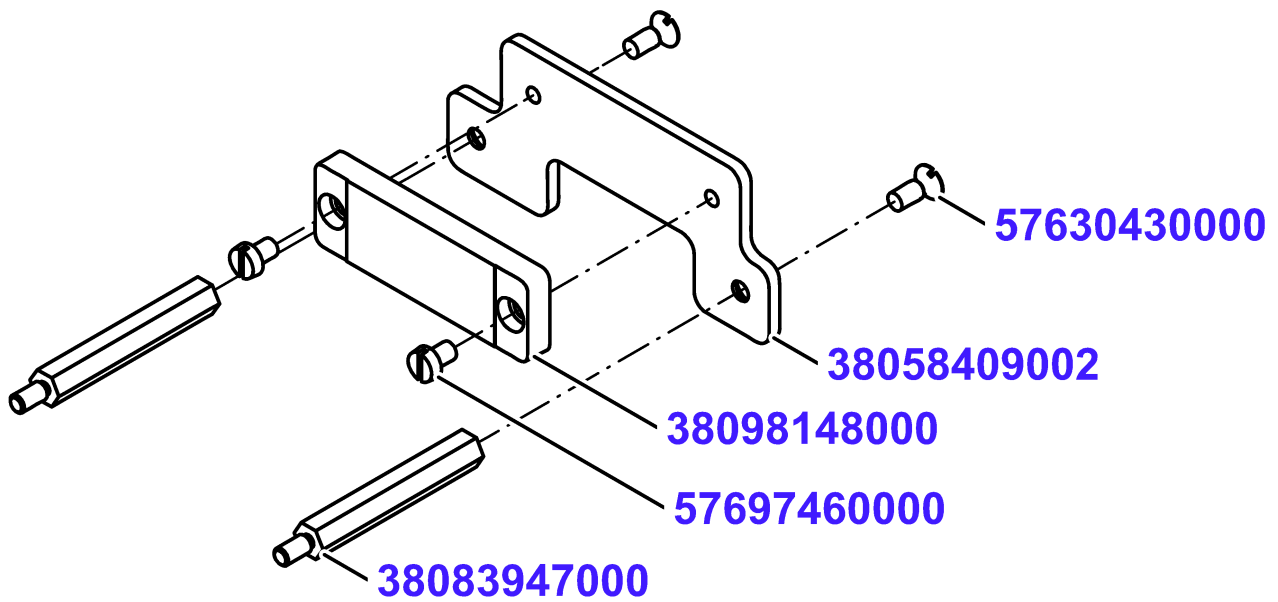
# Conveyor Belt 910 mm prem.









# Conveyor Belt 910 mm prem.

Material No.	Qty	Material description	available for order	Wear part	Recomm. sp. part	Metr. relevance
60531700501	1	Axle 10 x 257	✓			
38133684001	1	Plug-in support mounted	✓			
57429220000	2	Hexagon screw DIN933 M4x22 A2-70	✓			
60270111302	2	Washer	✓			
38101899000	2	Cap nut DIN986-M4-A2	✓			
38101899000	2	Cap nut DIN986-M4-A2	✓			
38081323000	2	Sleeve Bearing 1012-5	✓	✓	✓	
38058934000	1	Drive Roller preass	✓			
38056448003	1	Coupling Element	✓	✓	✓	
95972950002	0,001	Loctite 243 50 ml	✓			
38051316001	1	Netting Ribbon	✓	✓	✓	
38197255000	1	Microtriple-Reflector 20x40 pre mounted	✓			
38118122001	2	Side Part 950 x 40 x 4	✓			
60531700501	2	Axle 10 x 257	✓			
57429160000	8	Hexagon screw DIN933 M4x16 A2-70	✓			
38116938000	2	Bushing 30 x 10,15 x 88,6	✓			
60531700901	1	Roller	✓			
57429160000	2	Hexagon screw DIN933 M4x16 A2-70	✓			
60531702601	2	Washer 40x4,5x3	✓			
57429160000	4	Hexagon screw DIN933 M4x16 A2-70	✓			

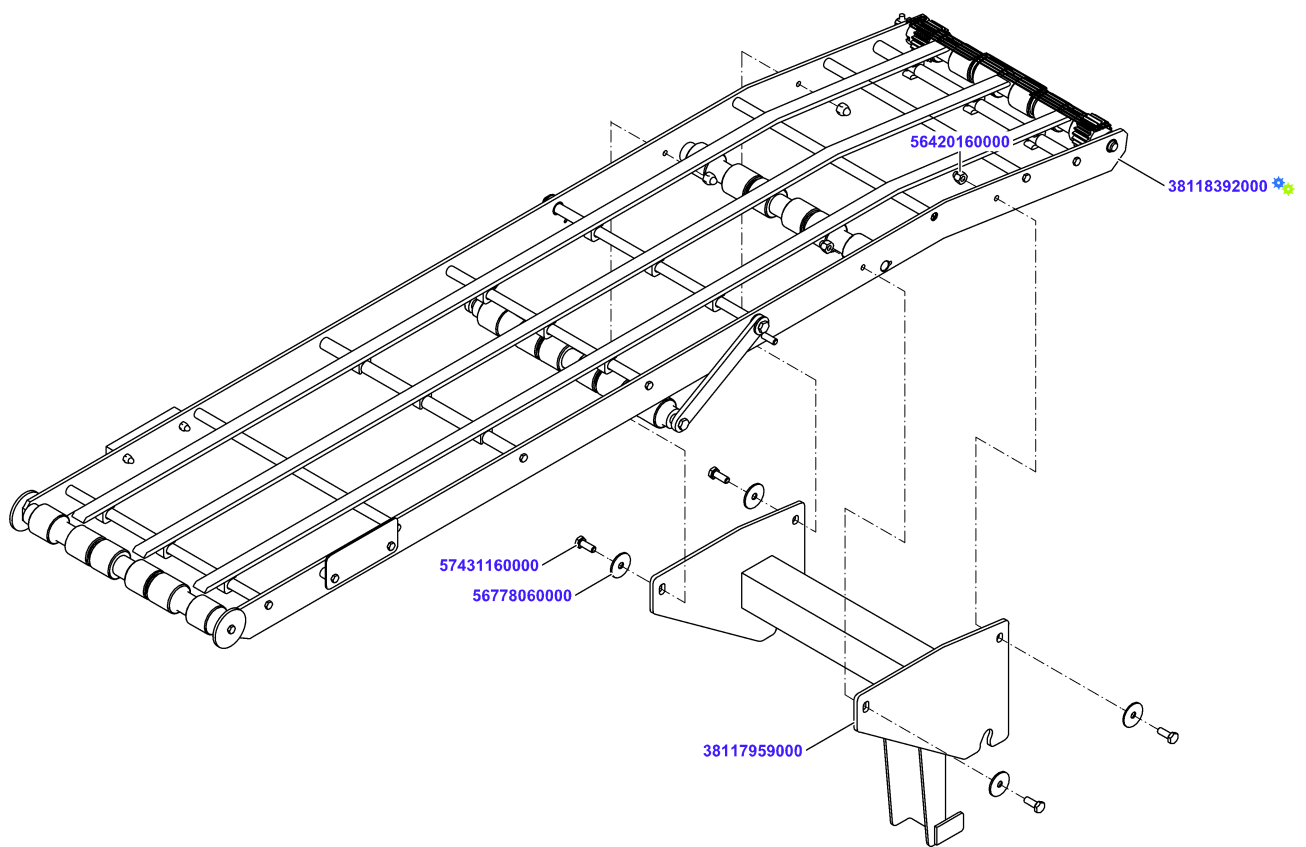
# Microtriple-Reflector 20x40 pre mounted



## Microtriple-Reflector 20x40 pre mounted

Material No.	Qty	Material description	available for order	Wear part	Recomm. sp. part	Metr. relevance
<a href="#">38098148000</a>	1	Microtriple-Reflector 20x40				
<a href="#">38058409002</a>	1	Sheet 90x38,5x3				
<a href="#">57697460000</a>	2	Cylinder screw DIN84 M4x6-A2-70				
<a href="#">57630430000</a>	2	Countersunk screw DIN963 M4x10-A2-70				
<a href="#">95972950002</a>	0,002	Loctite 243 50 ml				
<a href="#">38083947000</a>	2	Distance bolt SW7x45 M4-M4 In-Out				

# Conveyor Belt 1165 mm cpl.



# Conveyor Belt 1165 mm cpl.

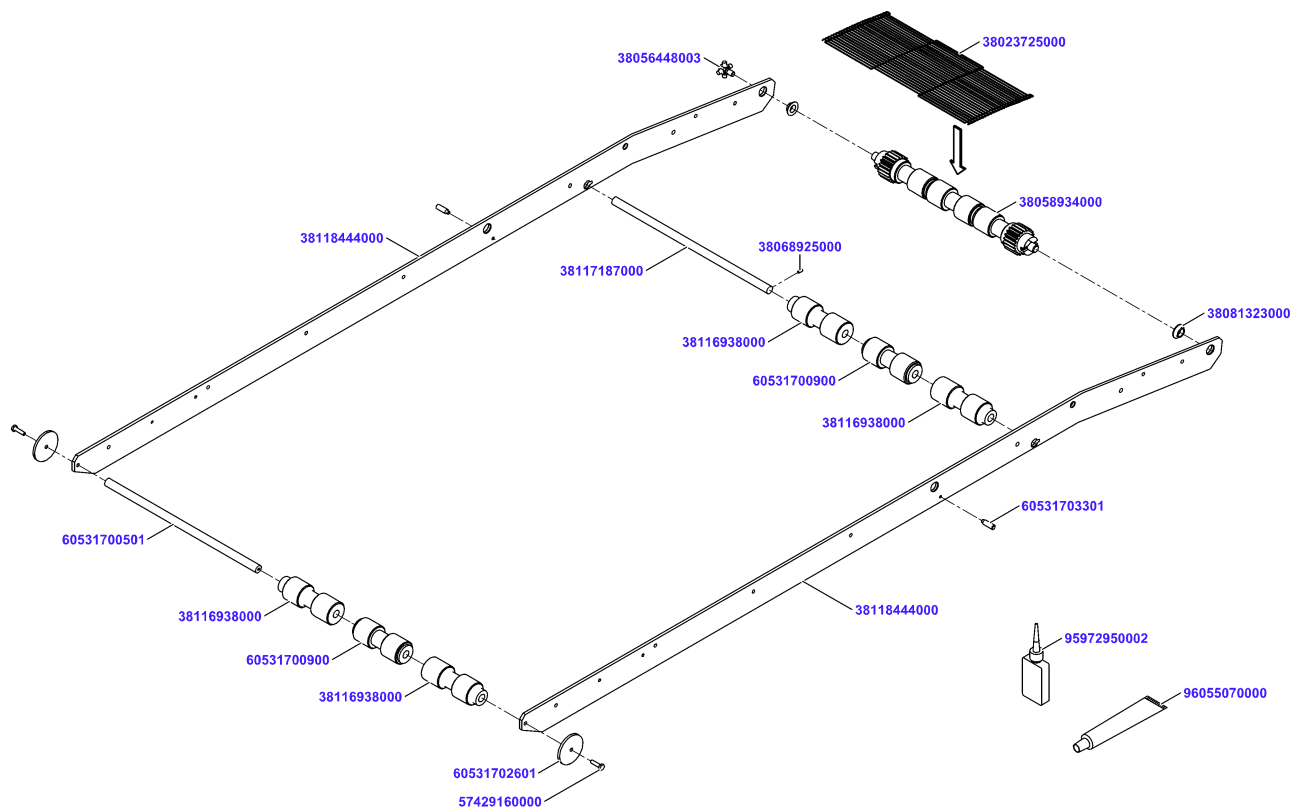
Material No.	Qty	Material description	available for order	Wear part	Recomm. sp. part	Metr. relevance
<a href="#">38118392000</a>	1	Conveyor Belt 1165 mm prem.				
<a href="#">38117959000</a>	1	Traverse welded 200 x 265	✓			
<a href="#">57431160000</a>	4	Hexagon screw DIN933 M6x16 A2-70	✓			
<a href="#">56778060000</a>	4	Washer 6-A2	✓			
<a href="#">56420160000</a>	4	Cap nut DIN986-M6-A2	✓			



# Conveyor Belt 1165 mm prem.

Material No.	Qty	Material description	available for order	Wear part	Recomm. sp. part	Metr. relevance
<a href="#">38118444000</a>	2	Side Part 1192 x 40 x 4	✓			
<a href="#">38081323000</a>	2	Sleeve Bearing 1012-5	✓	✓	✓	
<a href="#">95972950002</a>	0,001	Loctite 243 50 ml	✓			
<a href="#">60531700801</a>	2	Fixing Axle 12 x 257	✓			
<a href="#">57429160000</a>	4	Hexagon screw DIN933 M4x16 A2-70	✓			
<a href="#">60531700501</a>	1	Axle 10 x 257	✓			
<a href="#">60531700900</a>	1	PULLEY	✓			
<a href="#">38116938000</a>	2	Bushing 30 x 10,15 x 88,6	✓			
<a href="#">57429160000</a>	2	Hexagon screw DIN933 M4x16 A2-70	✓			
<a href="#">60531700501</a>	5	Axle 10 x 257	✓			
<a href="#">38120416000</a>	1	Axis 10 x 277	✓			
<a href="#">57429160000</a>	8	Hexagon screw DIN933 M4x16 A2-70	✓			
<a href="#">57431160000</a>	2	Hexagon screw DIN933 M6x16 A2-70	✓			
<a href="#">38081323000</a>	2	Sleeve Bearing 1012-5	✓	✓	✓	
<a href="#">56765060000</a>	2	Washer DIN9021-6-A2	✓			
<a href="#">57697470000</a>	2	Cylinder screw DIN84 M4x8-A2-70	✓			
<a href="#">38120412000</a>	2	Sheet adapter tensioning roller 138x18x5	✓			
<a href="#">60531700900</a>	1	PULLEY	✓			
<a href="#">38116938000</a>	2	Bushing 30 x 10,15 x 88,6	✓			
<a href="#">38117186000</a>	1	Axis 10 x 267,4	✓			
<a href="#">57431160000</a>	2	Hexagon screw DIN933 M6x16 A2-70	✓			
<a href="#">95972950002</a>	0,001	Loctite 243 50 ml	✓			
<a href="#">60531700900</a>	1	PULLEY	✓			
<a href="#">38116938000</a>	2	Bushing 30 x 10,15 x 88,6	✓			
<a href="#">60541003003</a>	3	Ledge Preassembled 15x1145	✓			
<a href="#">60531901602</a>	1	Plug-in support	✓			
<a href="#">57429220000</a>	2	Hexagon screw DIN933 M4x22 A2-70	✓			
<a href="#">60533700800</a>	2	cover plate 10	✓			
<a href="#">38101899000</a>	2	Cap nut DIN986-M4-A2	✓			
<a href="#">60531702302</a>	1	Mirror V2A 94x38x1,5	✓			
<a href="#">56386060000</a>	2	Ball DIN5401 6-1.4034	✓			
<a href="#">46121300020</a>	2	PRESSURE SPRING 6121300020	✓			
<a href="#">38116514000</a>	2	Spacer Sleeve 4,5 x 10 x 12	✓			
<a href="#">57429220000</a>	2	Hexagon screw DIN933 M4x22 A2-70	✓			
<a href="#">38101899000</a>	2	Cap nut DIN986-M4-A2	✓			

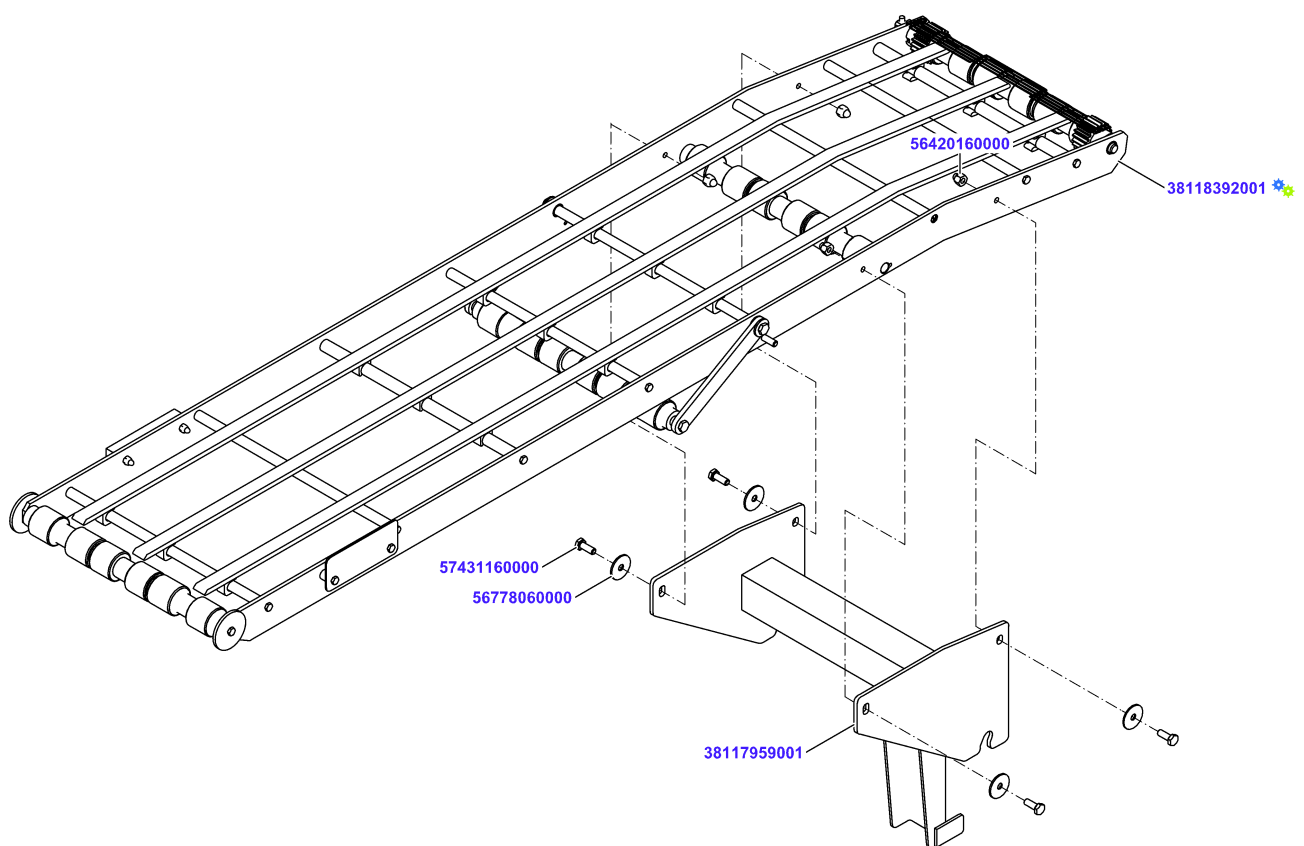
# Conveyor Belt 1165 mm prem.



# Conveyor Belt 1165 mm prem.

Material No.	Qty	Material description	available for order	Wear part	Recomm. sp. part	Metr. relevance
38118444000	2	Side Part 1192 x 40 x 4	✓			
38081323000	2	Sleeve Bearing 1012-5	✓		✓	
38058934000	1	Drive Roller preass	✓			
38056448003	1	Coupling Element	✓		✓	
95972950002	0,001	Loctite 243 50 ml	✓			
57429160000	4	Hexagon screw DIN933 M4x16 A2-70	✓			
60531700501	1	Axle 10 x 257	✓			
60531700900	1	PULLEY	✓			
38116938000	2	Bushing 30 x 10,15 x 88,6	✓			
57429160000	2	Hexagon screw DIN933 M4x16 A2-70	✓			
60531702601	2	Washer 40x4,5x3	✓			
60531700501	5	Axle 10 x 257	✓			
57429160000	8	Hexagon screw DIN933 M4x16 A2-70	✓			
38081323000	2	Sleeve Bearing 1012-5	✓		✓	
60531700900	1	PULLEY	✓			
38116938000	2	Bushing 30 x 10,15 x 88,6	✓			
60531703301	2	Bolt 6x4x20	✓			
38117187000	1	Axis 10 x 264	✓			
38068925000	1	Cylindrical pin EN 22338-3m6x6-A2	✓			
95972950002	0,001	Loctite 243 50 ml	✓			
60531700900	1	PULLEY	✓			
38116938000	2	Bushing 30 x 10,15 x 88,6	✓			
38023725000	1	Netting Ribbon	✓		✓	
96055070000	0,001	Grease PARALIQ GA 343	✓			

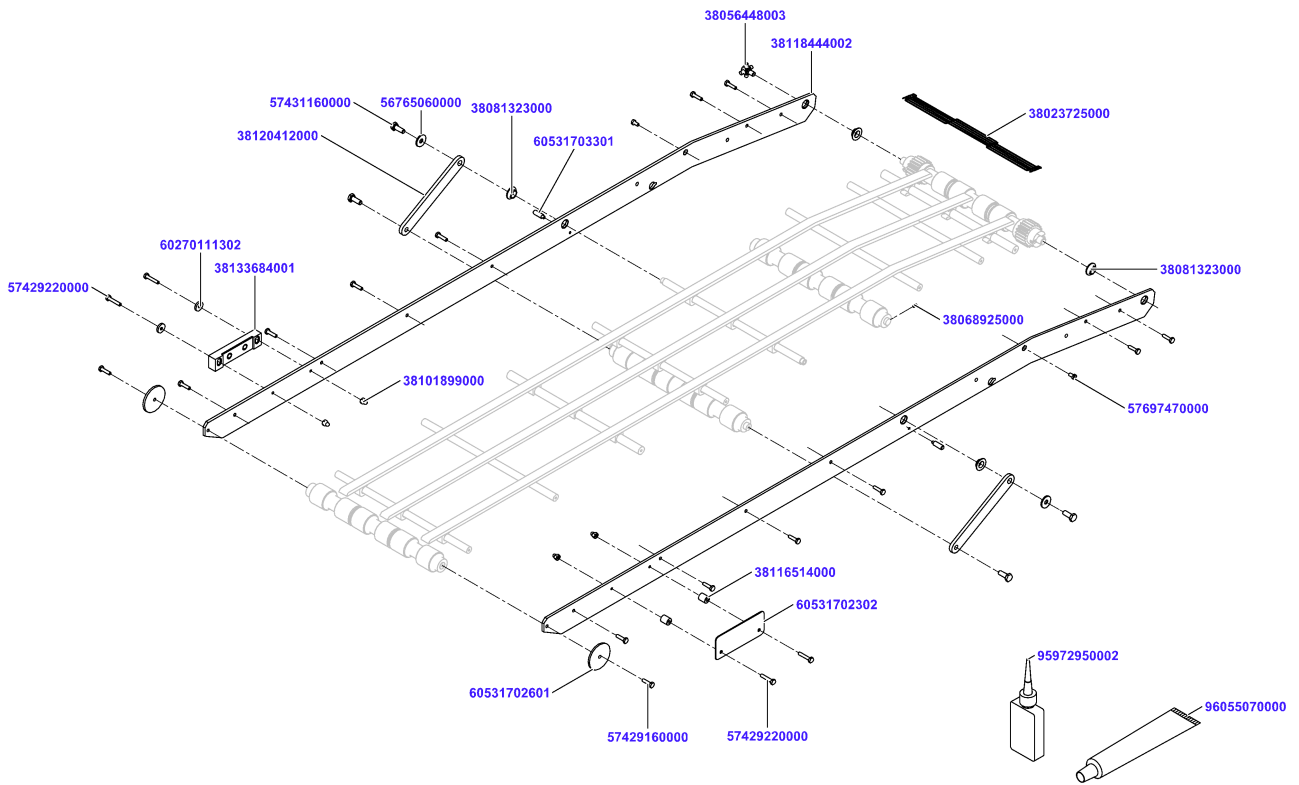
# Conveyor Belt 1165 mm cpl.



# Conveyor Belt 1165 mm cpl.

Material No.	Qty	Material description	available for order	Wear part	Recomm. sp. part	Metr. relevance
<a href="#">38118392001</a>	1	Conveyor Belt 1165 mm pre.				
<a href="#">38117959001</a>	1	Traverse welded 200 x 265	✓			
<a href="#">57431160000</a>	4	Hexagon screw DIN933 M6x16 A2-70	✓			
<a href="#">56778060000</a>	4	Washer 6-A2	✓			
<a href="#">56420160000</a>	4	Cap nut DIN986-M6-A2	✓			

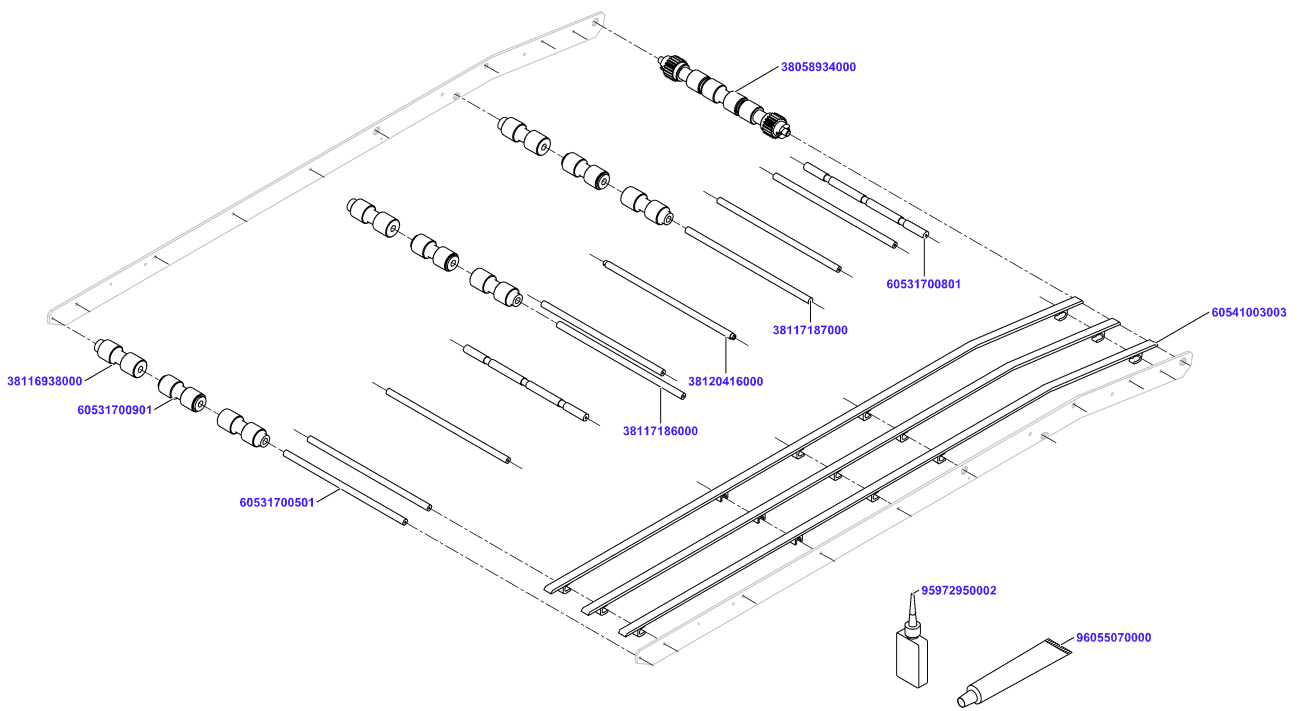
# Conveyor Belt 1165 mm pre.



# Conveyor Belt 1165 mm pre.

Material No.	Qty	Material description	available for order	Wear part	Recomm. sp. part	Metr. relevance
<a href="#">38118444002</a>	2	Side Part 1192 x 40 x 4	✓			
<a href="#">38081323000</a>	2	Sleeve Bearing 1012-5	✓	✓		
<a href="#">38056448003</a>	1	Coupling Element	✓	✓		
<a href="#">95972950002</a>	0,001	Loctite 243 50 ml	✓			
<a href="#">57429160000</a>	4	Hexagon screw DIN933 M4x16 A2-70	✓			
<a href="#">57429160000</a>	2	Hexagon screw DIN933 M4x16 A2-70	✓			
<a href="#">60531702601</a>	2	Washer 40x4,5x3	✓			
<a href="#">57429160000</a>	8	Hexagon screw DIN933 M4x16 A2-70	✓			
<a href="#">38081323000</a>	2	Sleeve Bearing 1012-5	✓	✓		
<a href="#">56765060000</a>	2	Washer DIN9021-6-A2	✓			
<a href="#">57697470000</a>	2	Cylinder screw DIN84 M4x8-A2-70	✓			
<a href="#">38120412000</a>	2	Sheet adapter tensioning roller 138x18x5	✓			
<a href="#">57431160000</a>	2	Hexagon screw DIN933 M6x16 A2-70	✓			
<a href="#">60531703301</a>	2	Bolt 6x4x20	✓			
<a href="#">38068925000</a>	1	Cylindrical pin EN 22338-3m6x6-A2	✓			
<a href="#">95972950002</a>	0,001	Loctite 243 50 ml	✓			
<a href="#">38023725000</a>	1	Netting Ribbon	✓	✓		
<a href="#">38133684001</a>	1	Plug-in support mounted	✓			
<a href="#">96055070000</a>	0,001	Grease PARALIQ GA 343	✓			
<a href="#">57429220000</a>	2	Hexagon screw DIN933 M4x22 A2-70	✓			
<a href="#">60270111302</a>	2	Washer	✓			
<a href="#">38101899000</a>	2	Cap nut DIN986-M4-A2	✓			
<a href="#">60531702302</a>	1	Mirror V2A 94x38x1,5	✓			
<a href="#">38116514000</a>	2	Spacer Sleeve 4,5 x 10 x 12	✓			
<a href="#">57429220000</a>	2	Hexagon screw DIN933 M4x22 A2-70	✓			
<a href="#">38101899000</a>	2	Cap nut DIN986-M4-A2	✓			
<a href="#">57431160000</a>	2	Hexagon screw DIN933 M6x16 A2-70	✓			
<a href="#">95972950002</a>	0,002	Loctite 243 50 ml	✓			

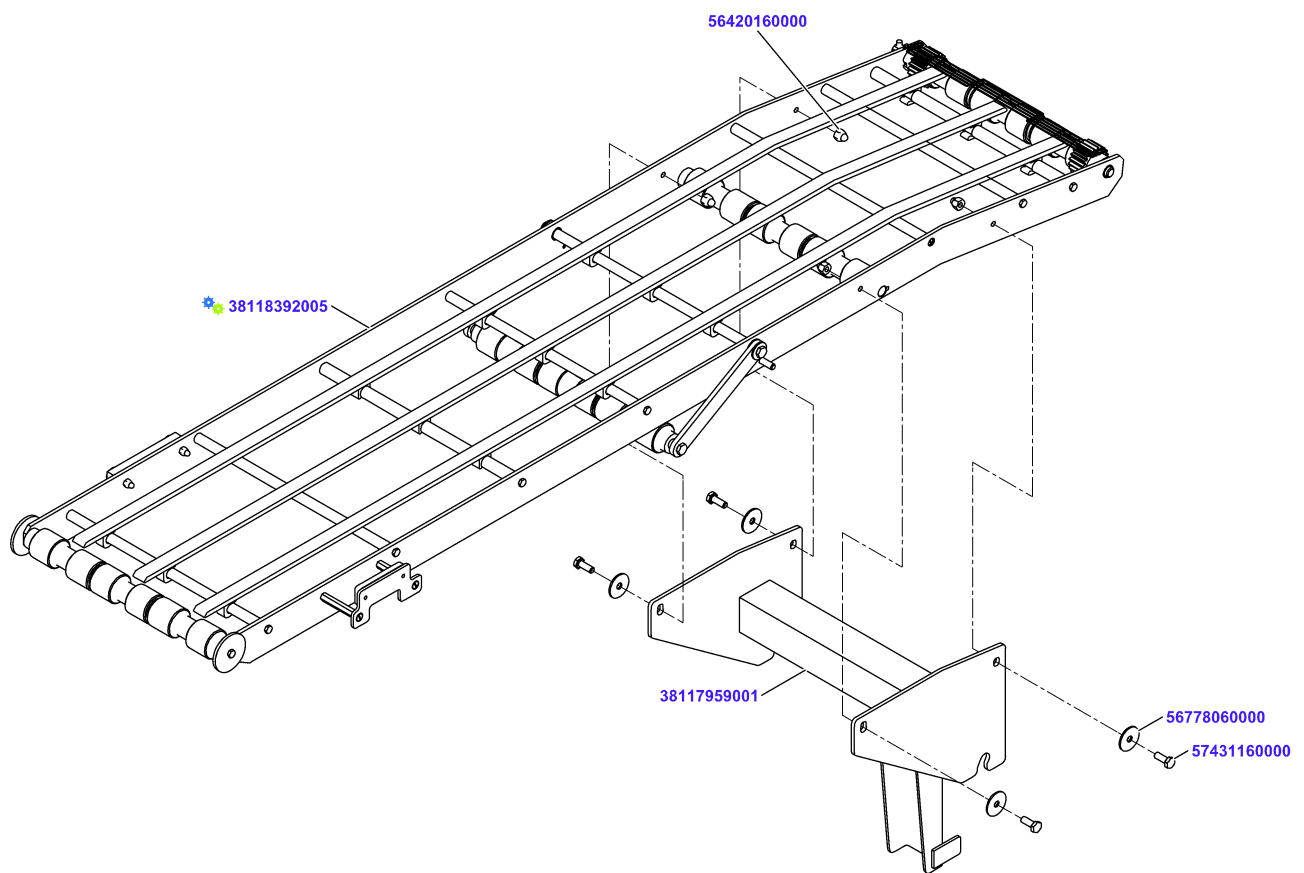
# Conveyor Belt 1165 mm pre.







# Conveyor Belt 1165 mm pre.

Material No.	Qty	Material description	available for order	Wear part	Recomm. sp. part	Metr. relevance
38058934000	1	Drive Roller preass	✓			
95972950002	0,001	Loctite 243 50 ml	✓			
60531700801	2	Fixing Axle 12 x 257	✓			
60531700501	1	Axle 10 x 257	✓			
60531700901	1	Roller	✓			
38116938000	2	Bushing 30 x 10,15 x 88,6	✓			
60531700501	5	Axle 10 x 257	✓			
38120416000	1	Axis 10 x 277	✓			
60531700901	1	Roller	✓			
38116938000	2	Bushing 30 x 10,15 x 88,6	✓			
38117186000	1	Axis 10 x 267,4	✓			
38117187000	1	Axis 10 x 264	✓			
95972950002	0,001	Loctite 243 50 ml	✓			
60531700901	1	Roller	✓			
38116938000	2	Bushing 30 x 10,15 x 88,6	✓			
60541003003	3	Ledge Preassembled 15x1145	✓			
96055070000	0,001	Grease PARALIQ GA 343	✓			
95972950002	0,002	Loctite 243 50 ml	✓			

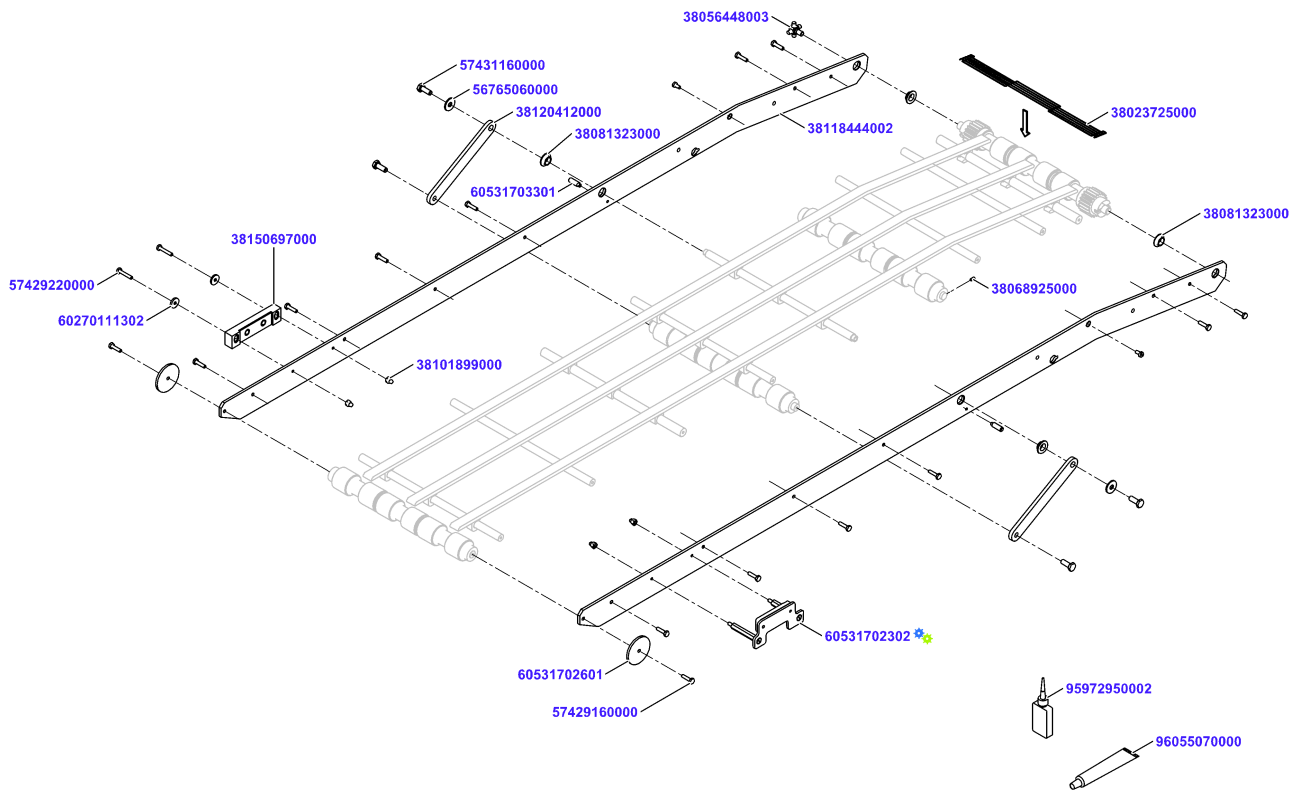
# Conveyor Belt 1165 mm cpl.



# Conveyor Belt 1165 mm cpl.

Material No.	Qty	Material description	available for order	Wear part	Recomm. sp. part	Metr. relevance
<a href="#">38117959001</a>	1	Traverse welded 200 x 265				
<a href="#">57431160000</a>	4	Hexagon screw DIN933 M6x16 A2-70				
<a href="#">56778060000</a>	4	Washer 6-A2				
<a href="#">56420160000</a>	4	Cap nut DIN986-M6-A2				
<a href="#">38118392005</a>	1	Conveyor Belt 1165 mm prem.				

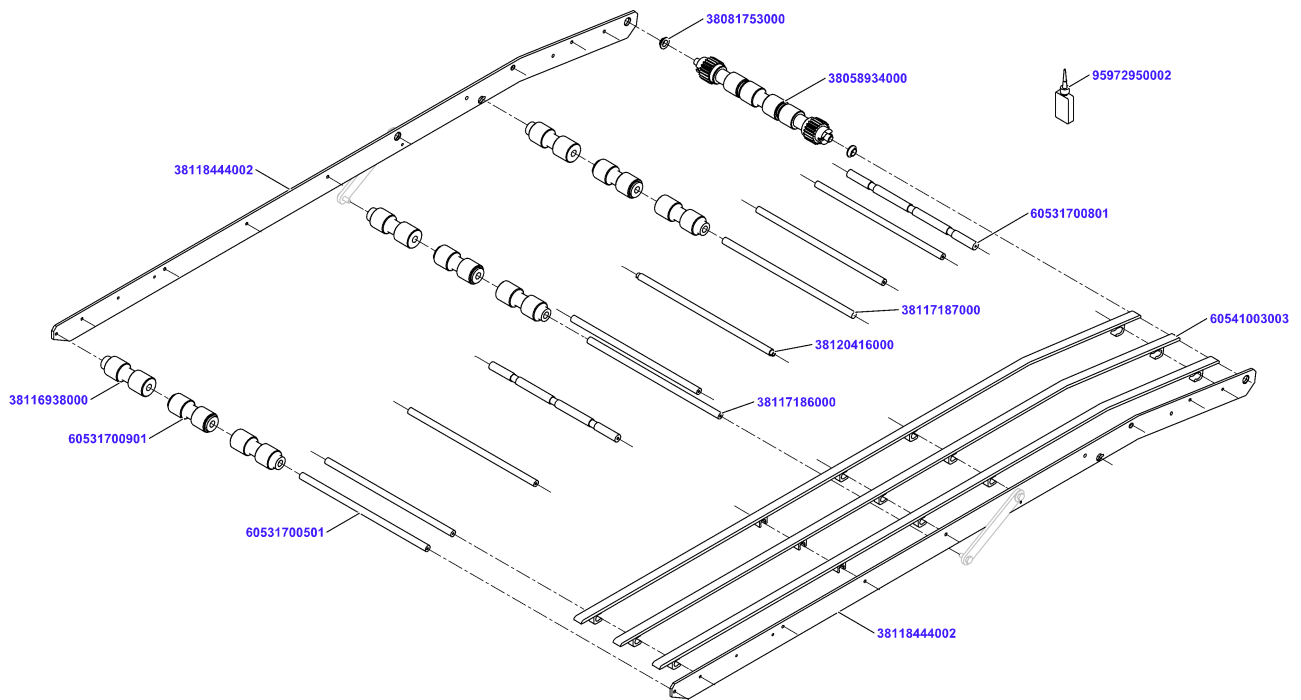
# Conveyor Belt 1165 mm prem.















# Conveyor Belt 1165 mm prem.

Material No.	Qty	Material description	available for order	Wear part	Recomm. sp. part	Metr. relevance
<a href="#">60270111302</a>	2	Washer				
<a href="#">38120412000</a>	2	Sheet adapter tensioning roller 138x18x5				
<a href="#">60531703301</a>	2	Bolt 6x4x20				
<a href="#">38023725000</a>	1	Netting Ribbon				
<a href="#">60531702601</a>	2	Washer 40x4,5x3				
<a href="#">57431160000</a>	4	Hexagon screw DIN933 M6x16 A2-70				
<a href="#">95972950002</a>	0,002	Loctite 243 50 ml				
<a href="#">38101899000</a>	4	Cap nut DIN986-M4-A2				
<a href="#">57429160000</a>	14	Hexagon screw DIN933 M4x16 A2-70				
<a href="#">57429220000</a>	2	Hexagon screw DIN933 M4x22 A2-70				
<a href="#">95972950002</a>	0,002	Loctite 243 50 ml				
<a href="#">96055070000</a>	0,001	Grease PARALIQ GA 343				
<a href="#">38068925000</a>	1	Cylindrical pin EN 22338-3m6x6-A2				
<a href="#">38118444002</a>	2	Side Part 1192 x 40 x 4				
<a href="#">56765060000</a>	2	Washer DIN9021-6-A2				
<a href="#">38081323000</a>	4	Sleeve Bearing 1012-5				
<a href="#">38056448003</a>	1	Coupling Element				

# Conveyor Belt 1165 mm prem.






## Conveyor Belt 1165 mm prem.

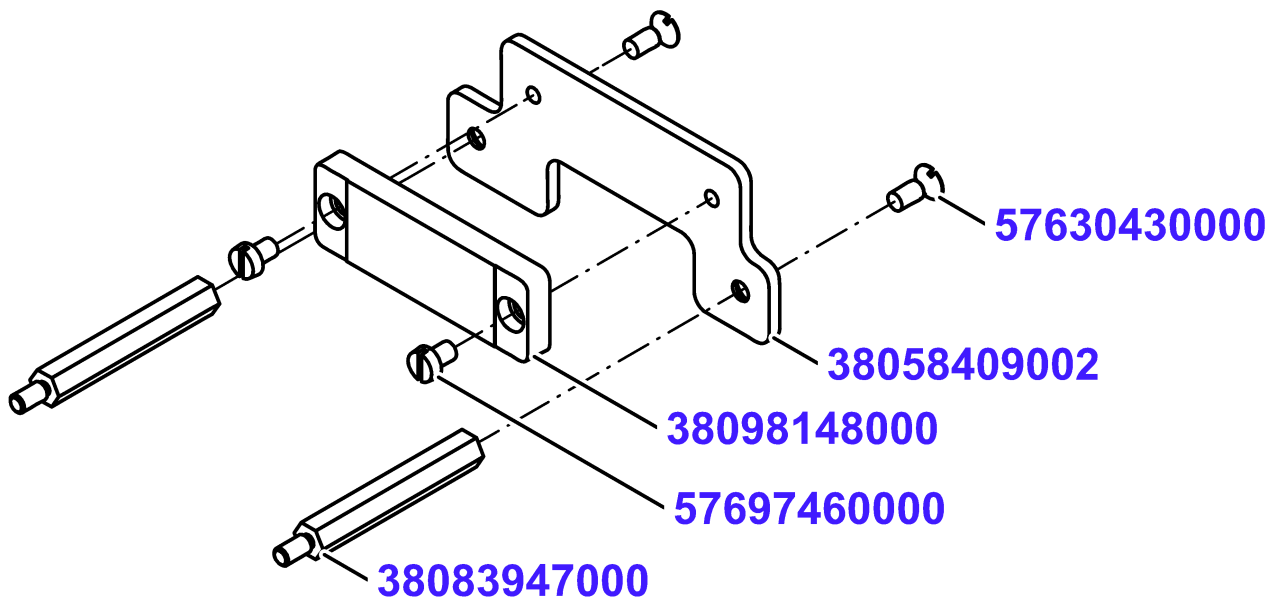
Material No.	Qty	Material description	available for order	Wear part	Recomm. sp. part	Metr. relevance
<a href="#">38058934000</a>	1	Drive Roller preass				
<a href="#">60531700801</a>	2	Fixing Axle 12 x 257				
<a href="#">60531700501</a>	6	Axle 10 x 257				
<a href="#">38117186000</a>	1	Axis 10 x 267,4				
<a href="#">38117187000</a>	1	Axis 10 x 264				
<a href="#">60541003003</a>	3	Ledge Preassembled 15x1145				
<a href="#">95972950002</a>	0,002	Loctite 243 50 ml				
<a href="#">95972950002</a>	0,002	Loctite 243 50 ml				
<a href="#">38118444002</a>	2	Side Part 1192 x 40 x 4				
<a href="#">60531700901</a>	3	Roller				
<a href="#">38116938000</a>	6	Bushing 30 x 10,15 x 88,6				
<a href="#">38120416000</a>	1	Axis 10 x 277				

## **Conveyor Belt 1165 mm prem.**

## Conveyor Belt 1165 mm prem.

Material No.	Qty	Material description	available for order	Wear part	Recomm. sp. part	Metr. relevance
<a href="#">38133684001</a>	1	Plug-in support mounted				
<a href="#">38197255000</a>	1	Microtriple-Reflector 20x40 pre mounted				
<a href="#">57697470000</a>	2	Cylinder screw DIN84 M4x8-A2-70				

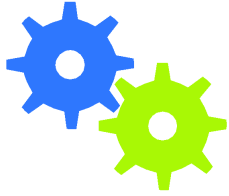
## Microtriple-Reflector 20x40 pre mounted



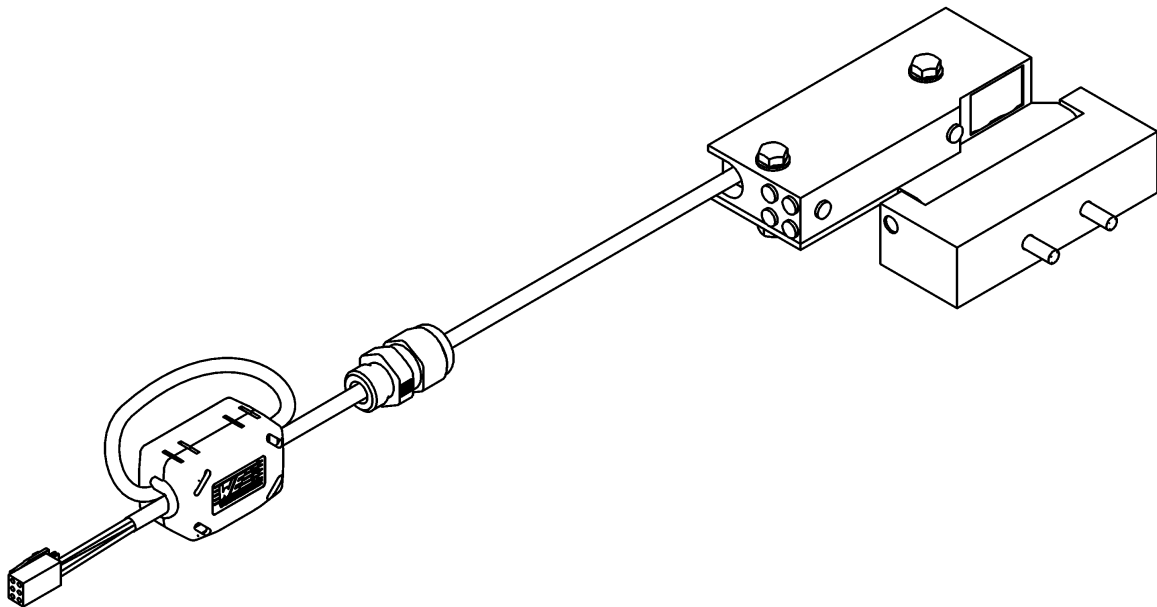
## Microtriple-Reflector 20x40 pre mounted

Material No.	Qty	Material description	available for order	Wear part	Recomm. sp. part	Metr. relevance
<a href="#">38098148000</a>	1	Microtriple-Reflector 20x40	✓			
<a href="#">38058409002</a>	1	Sheet 90x38,5x3	✓			
<a href="#">57697460000</a>	2	Cylinder screw DIN84 M4x6-A2-70	✓			
<a href="#">57630430000</a>	2	Countersunk screw DIN963 M4x10-A2-70	✓			
<a href="#">95972950002</a>	0,002	Loctite 243 50 ml	✓			
<a href="#">38083947000</a>	2	Distance bolt SW7x45 M4-M4 In-Out	✓			

## Light barrier/light button



**38058941000**

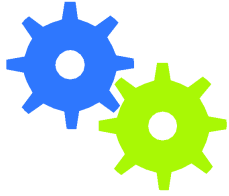


# Light barrier/light button

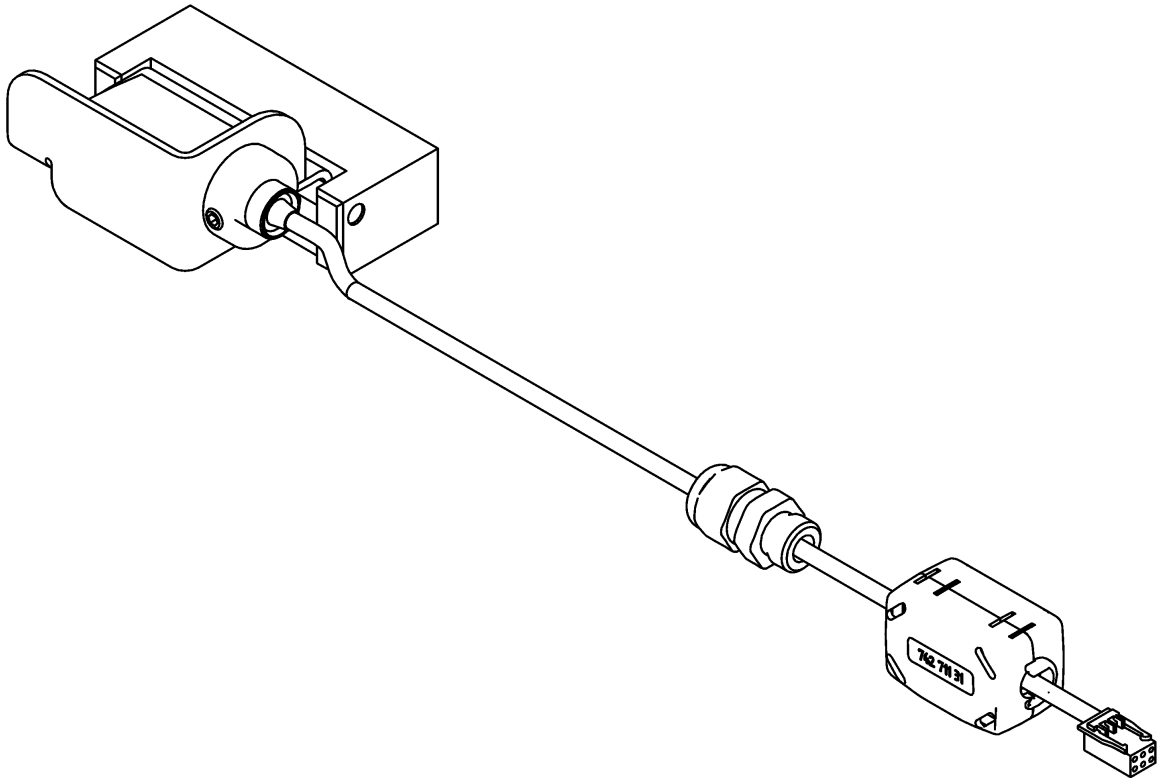
Material No.	Qty	Material description
<a href="#">38058941000</a>	1	Light Barrier with Holder cpl

available for order
Wear part
Recomm. sp. part
Metr. relevance

## Light barrier/light button



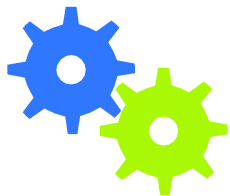
**38058941001**



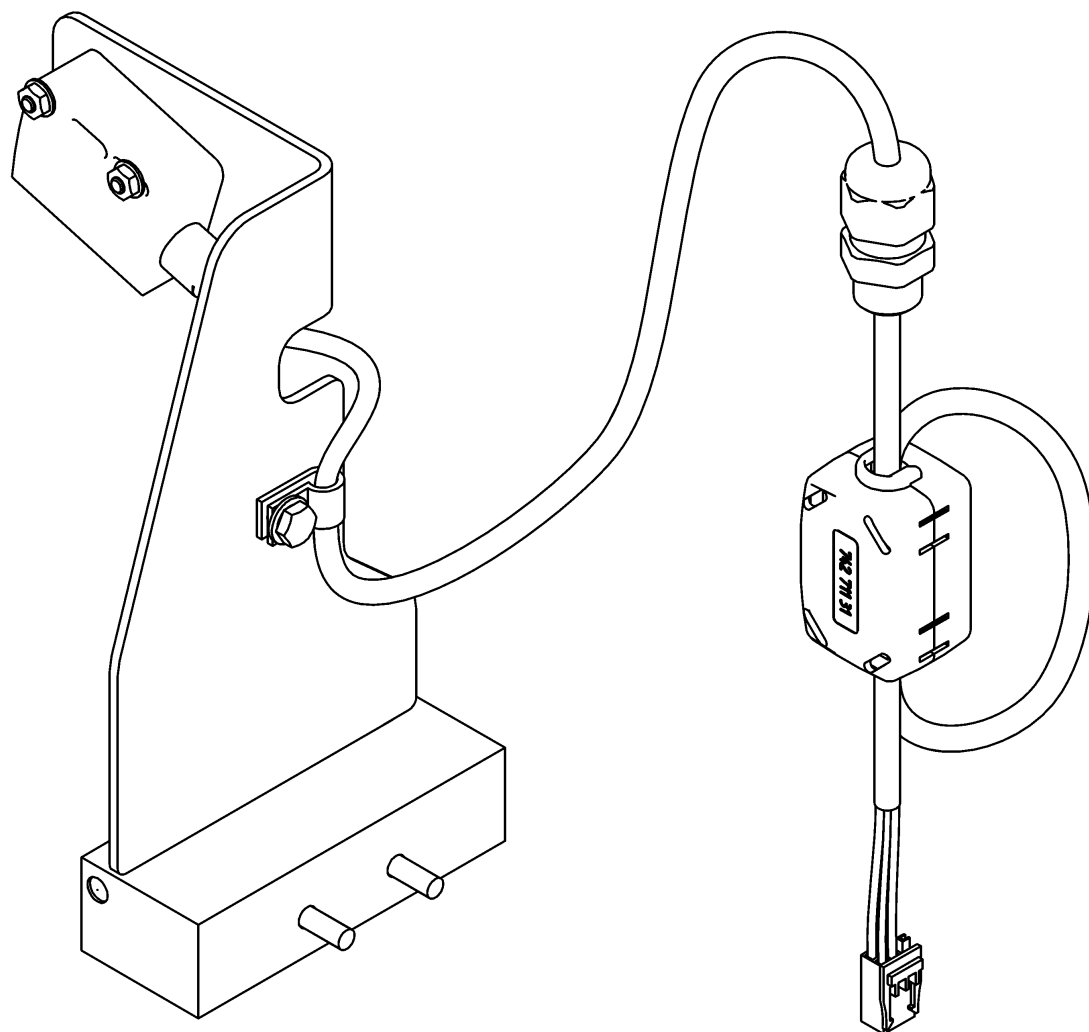
# Light barrier/light button

Material No.	Qty	Material description	available for order	Wear part	Recomm. sp. part	Metr. relevance
<a href="#">38058941001</a>	1	Laser Light Barrier with Holder cpl				

# Light barrier/light button



**38064093000**



# Light barrier/light button

Material No.	Qty	Material description
<a href="#">38064093000</a>	1	Light Sensor with Holder cpl

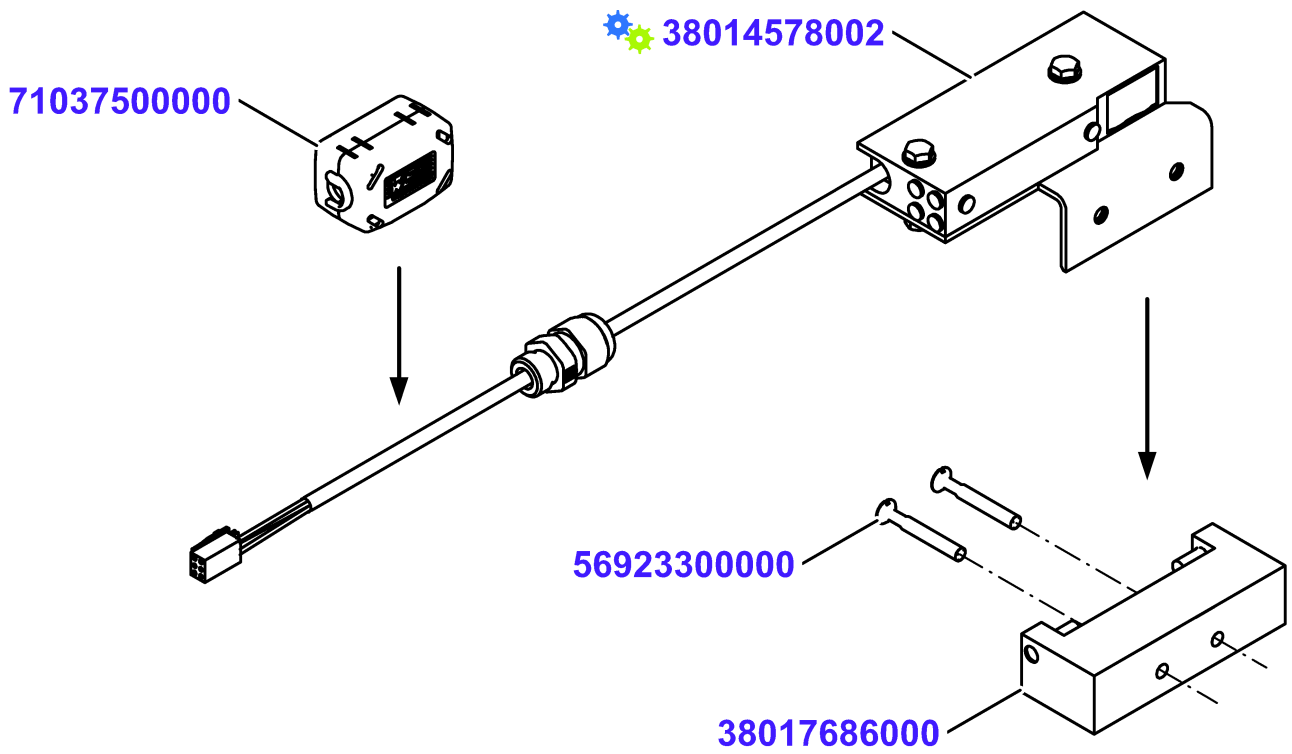
available for order

Wear part

Recomm. sp. part

Metr. relevance

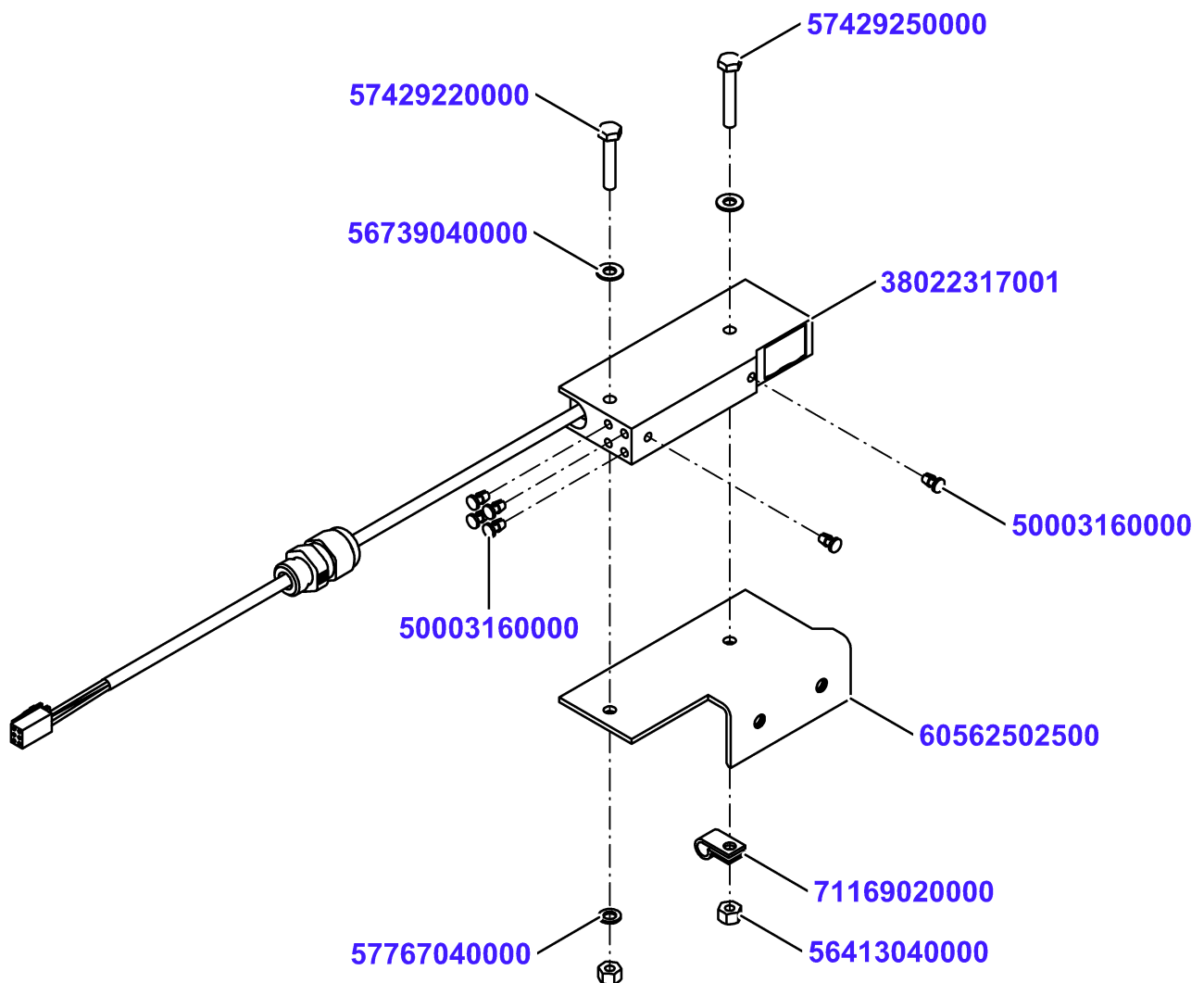
# Light Barrier with Holder cpl



# Light Barrier with Holder cpl

Material No.	Qty	Material description	available for order	Wear part	Recomm. sp. part	Metr. relevance
<a href="#">38014578002</a>	1	Light Barrier RK72/2 cpl. - AL Abgeküнди	✓			
<a href="#">38017686000</a>	1	Holder Light Barrier preass	✓			
<a href="#">56923300000</a>	2	Counter Sunk Screw DIN 964-M4x30-A2-70	✓			
<a href="#">71037500000</a>	1	Ferrit Sleeve 74271131	✓			

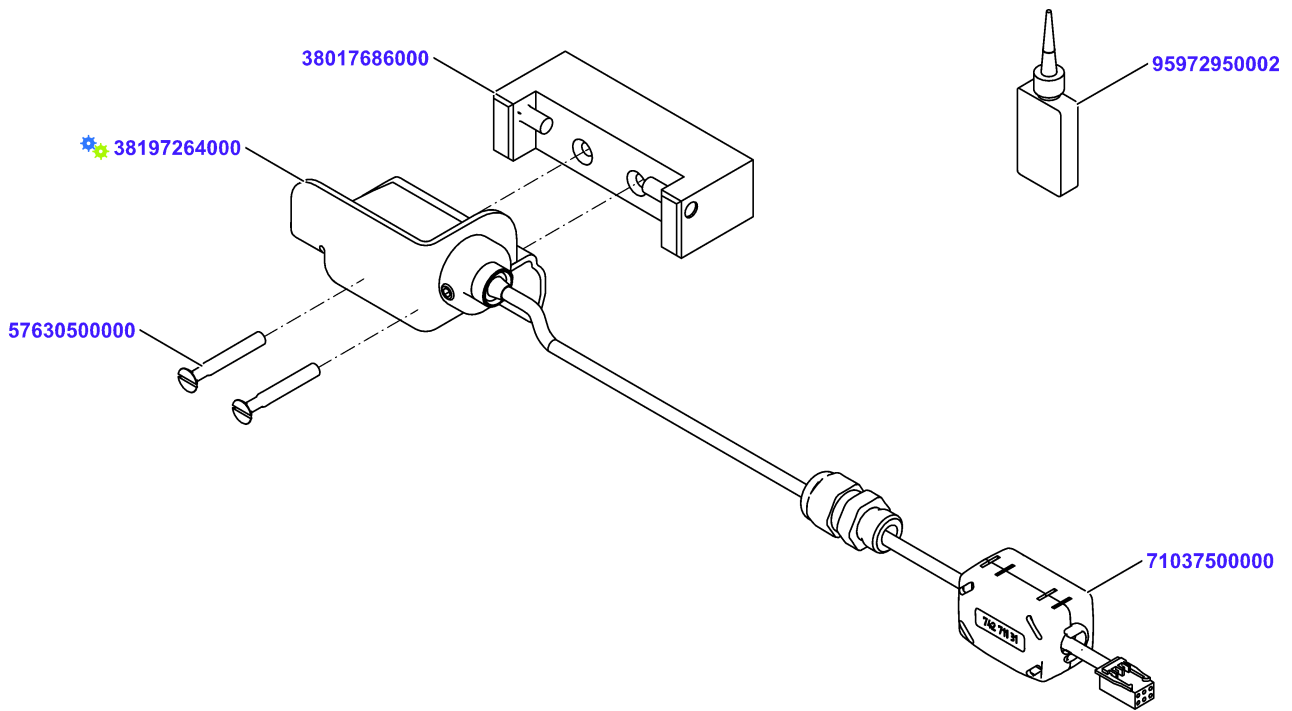
# Light Barrier RK72/2 cpl. - AL Abgeküнди



## Light Barrier RK72/2 cpl. - AL Abgeküнди

Material No.	Qty	Material description	available for order	Wear part	Recomm. sp. part	Metr. relevance
<a href="#">38022317001</a>	1	light barrier RK72/2	✓		✓	
<a href="#">60562502500</a>	1	light barr. holder for 7103789	✓			
<a href="#">57429220000</a>	1	Hexagon screw DIN933 M4x22 A2-70	✓			
<a href="#">57429250000</a>	1	Hexagon screw DIN933 M4x25 A2-70	✓			
<a href="#">56739040000</a>	2	Washer DIN125-A 4.3-A2-70	✓			
<a href="#">57767040000</a>	1	Spring lock washer DIN128-A4-FSt	✓			
<a href="#">56413040000</a>	2	Cap nut DIN917 -M4-A2	✓			
<a href="#">71169020000</a>	1	Nylon-Clip 2N	✓			
<a href="#">50003160000</a>	6	Protective plug 5x3x5,8	✓			

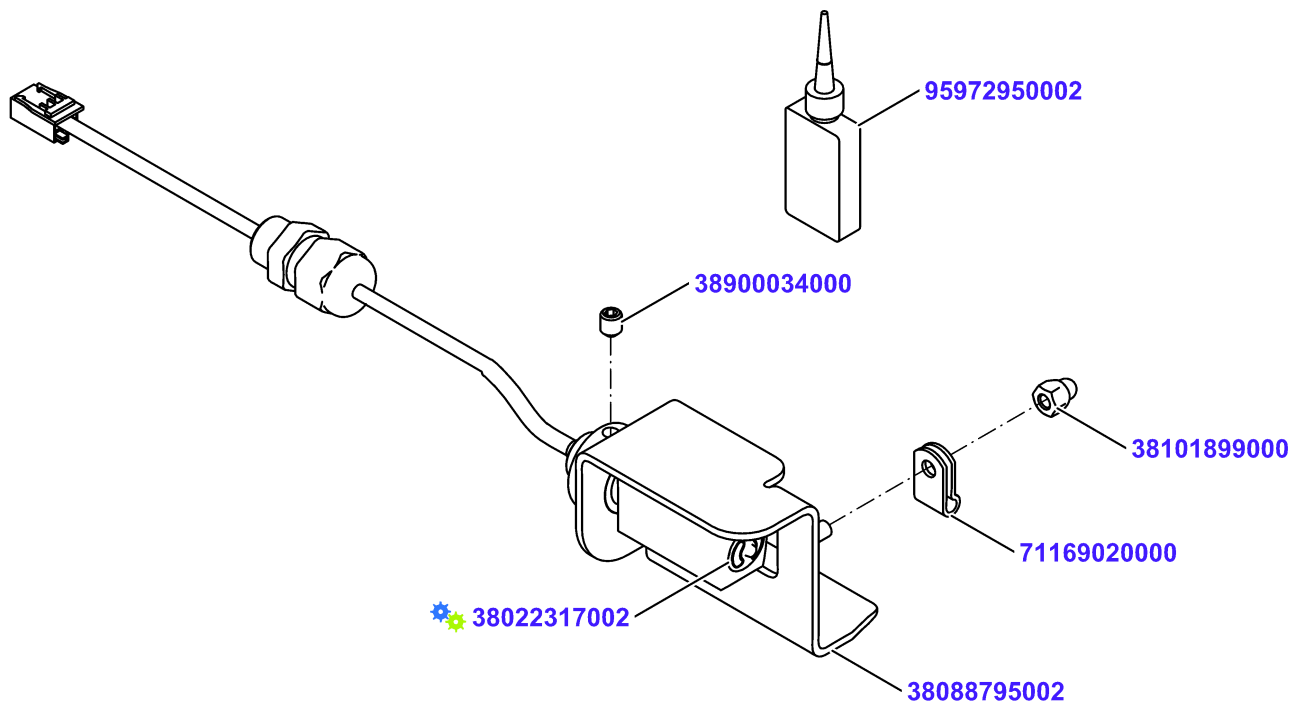
# Laser Light Barrier with Holder cpl



## Laser Light Barrier with Holder cpl

Material No.	Qty	Material description	available for order	Wear part	Recomm. sp. part	Metr. relevance
<a href="#">38197264000</a>	1	Light barrier compl. Cabel 1450 mm				
<a href="#">71037500000</a>	1	Ferrit Sleeve 74271131				
<a href="#">38017686000</a>	1	Holder Light Barrier preass				
<a href="#">57630500000</a>	2	Countersunk screw DIN963 M4x30-A2-70				
<a href="#">95972950002</a>	0,002	Loctite 243 50 ml				

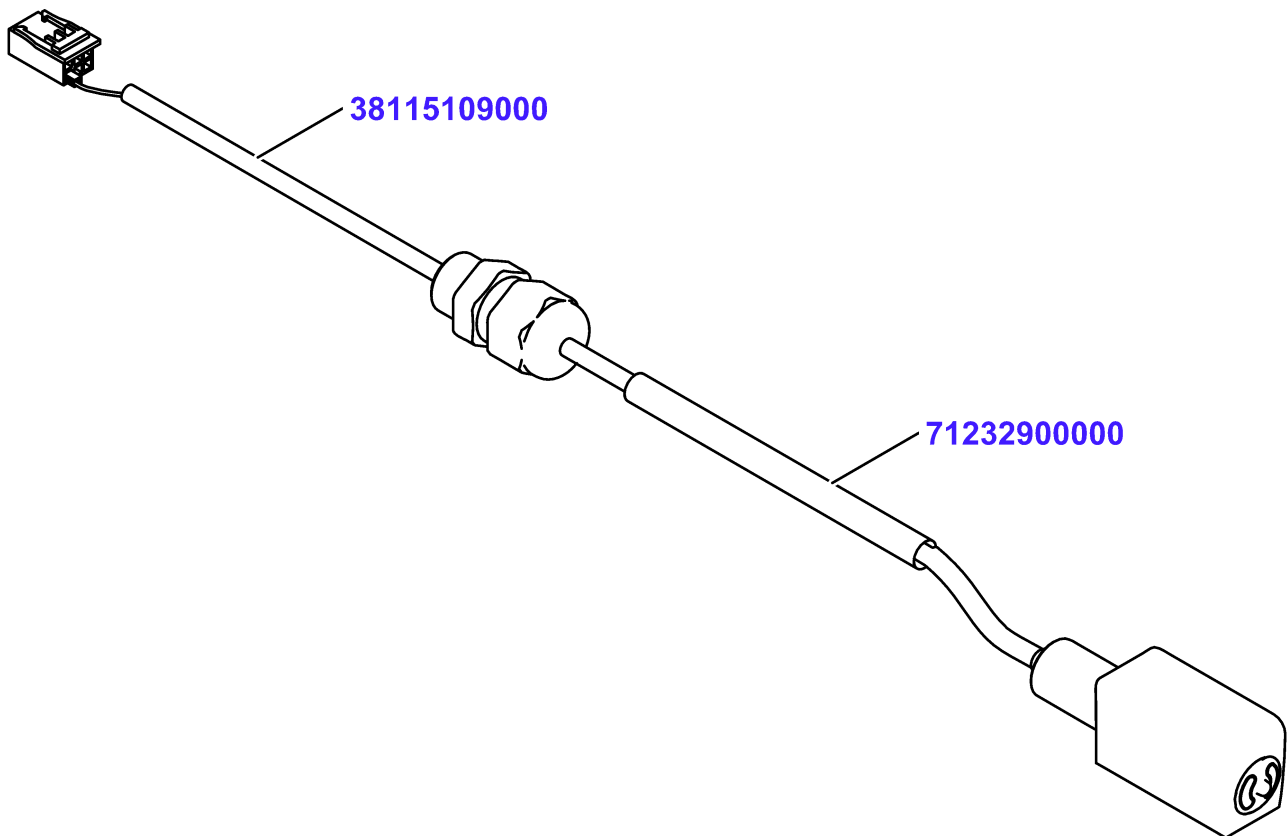
## Light barrier compl. Cabel 1450 mm



## Light barrier compl. Cabel 1450 mm

Material No.	Qty	Material description	available for order	Wear part	Recomm. sp. part	Metr. relevance
<a href="#">38088795002</a>	1	Fastener welded for light barrier				
<a href="#">38101899000</a>	1	Cap nut DIN986-M4-A2				
<a href="#">71169020000</a>	1	Nylon-Clip 2N				
<a href="#">38900034000</a>	2	Set screw DIN916 M5x6-A2-50				
<a href="#">95972950002</a>	0,002	Loctite 243 50 ml				
<a href="#">38022317002</a>	1	Light barrier Niro assembled VSI				

## Light barrier Niro assembled VSI

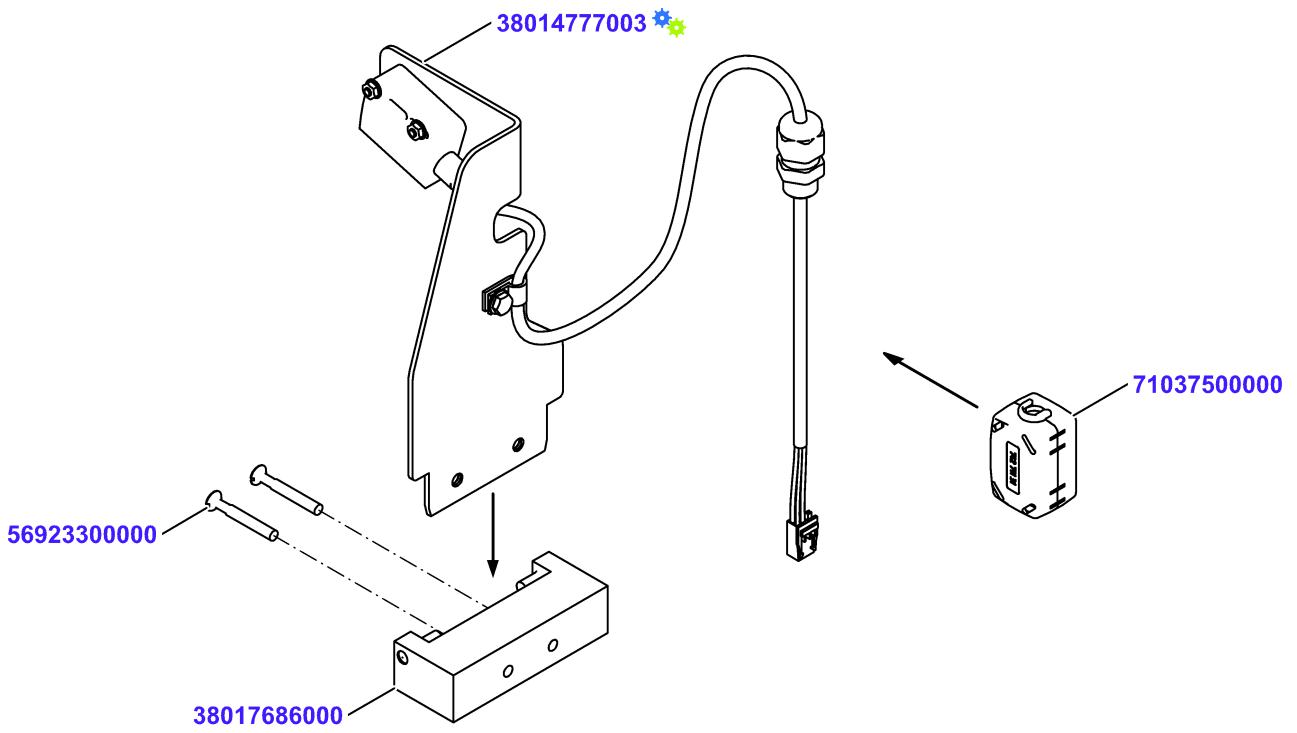


## Light barrier Niro assembled VSI

Material No.	Qty	Material description
<a href="#">38115109000</a>	0,030	Stranded Wire UL 1007/1569 AWG22 WH
<a href="#">71232900000</a>	0,015	Shrink Sleeve UL GR 3.2

available for order
Wear part
Recomm. sp. part
Metr. relevance

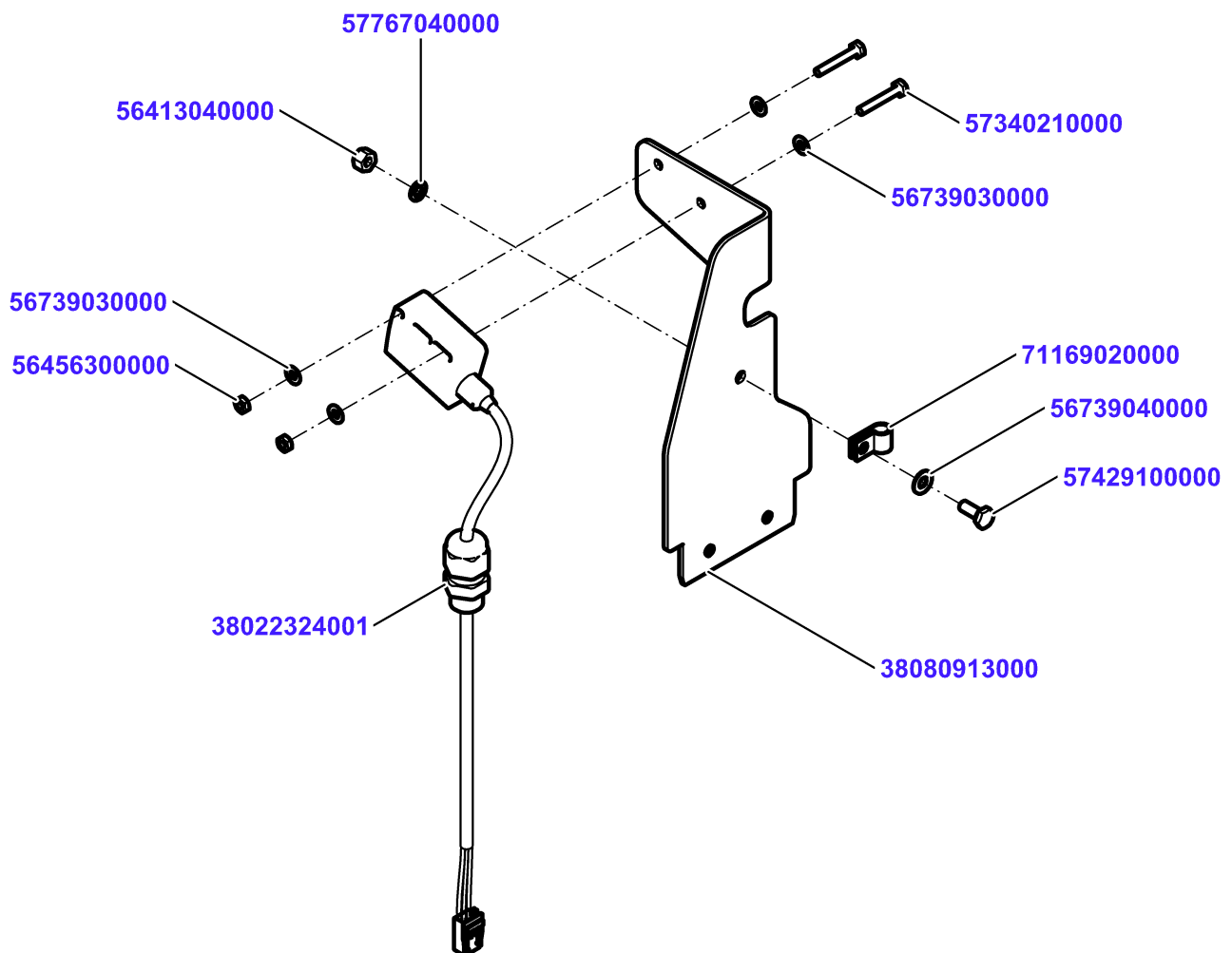
# Light Sensor with Holder cpl



## Light Sensor with Holder cpl

Material No.	Qty	Material description	available for order	Wear part	Recomm. sp. part	Metr. relevance
<a href="#">38014777003</a>	1	Light Sensor HRTR 55/22-XL 1,8m cpl.				
<a href="#">38017686000</a>	1	Holder Light Barrier preass				
<a href="#">56923300000</a>	2	Counter Sunk Screw DIN 964-M4x30-A2-70				
<a href="#">71037500000</a>	1	Ferrit Sleeve 74271131				

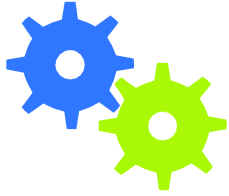
## Light Sensor HRTR 55/22-XL 1,8m cpl.



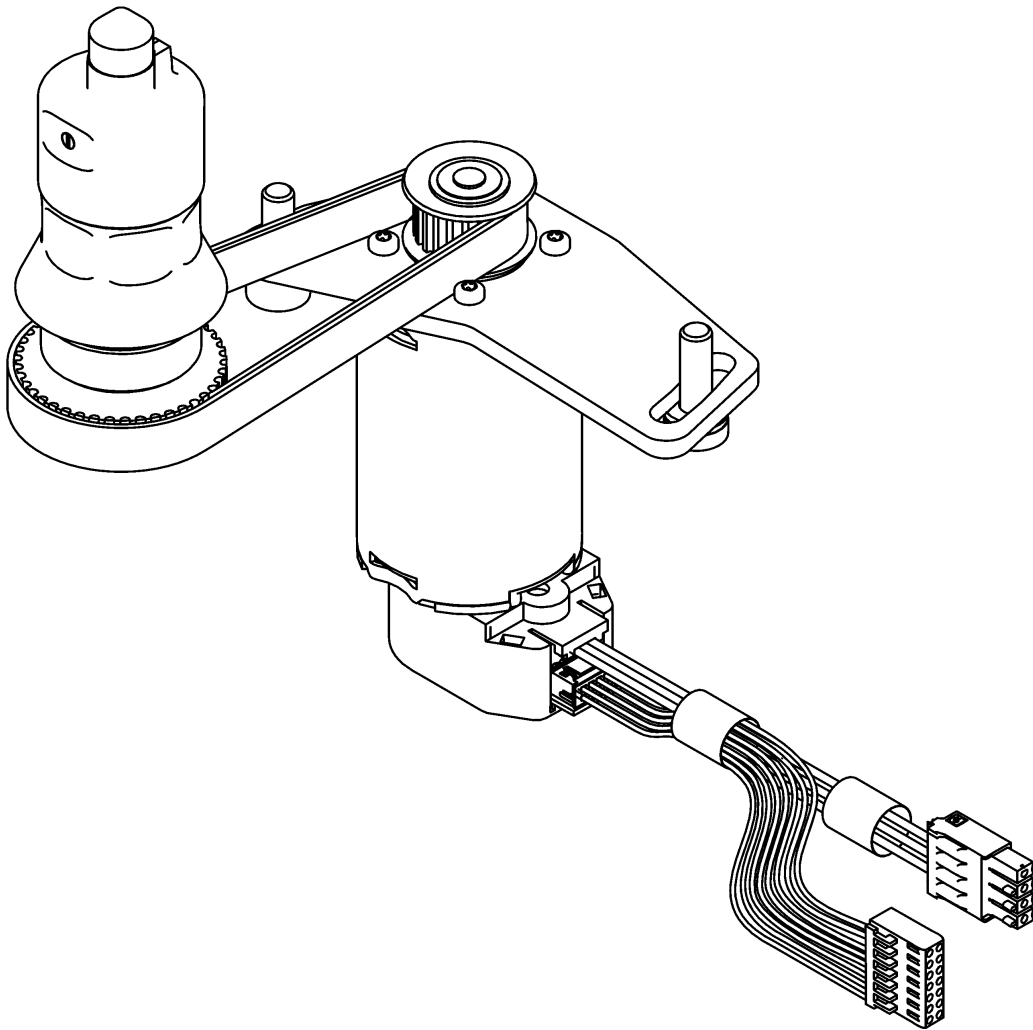
## Light Sensor HRTR 55/22-XL 1,8m cpl.

Material No.	Qty	Material description	available for order	Wear part	Recomm. sp. part	Metr. relevance
<a href="#">38022324001</a>	1	light sensor HRTR 55/22-XL 1,8m	✓		✓	
<a href="#">38080913000</a>	1	Fastener	✓			
<a href="#">57340210000</a>	2	Hexagon screw DIN933 M3x20 A2-70	✓			
<a href="#">56739030000</a>	4	Washer DIN125-A-3-A2	✓			
<a href="#">56456300000</a>	2	Hexagon nut DIN934-M3-A2	✓			
<a href="#">71169020000</a>	1	Nylon-Clip 2N	✓			
<a href="#">57429100000</a>	1	Hexagon screw DIN933 M4x10 A2-70	✓			
<a href="#">56739040000</a>	1	Washer DIN125-A 4.3-A2-70	✓			
<a href="#">57767040000</a>	1	Spring lock washer DIN128-A4-FSt	✓			
<a href="#">56413040000</a>	1	Cap nut DIN917 -M4-A2	✓			

# Chain frame drive



**38140345000**



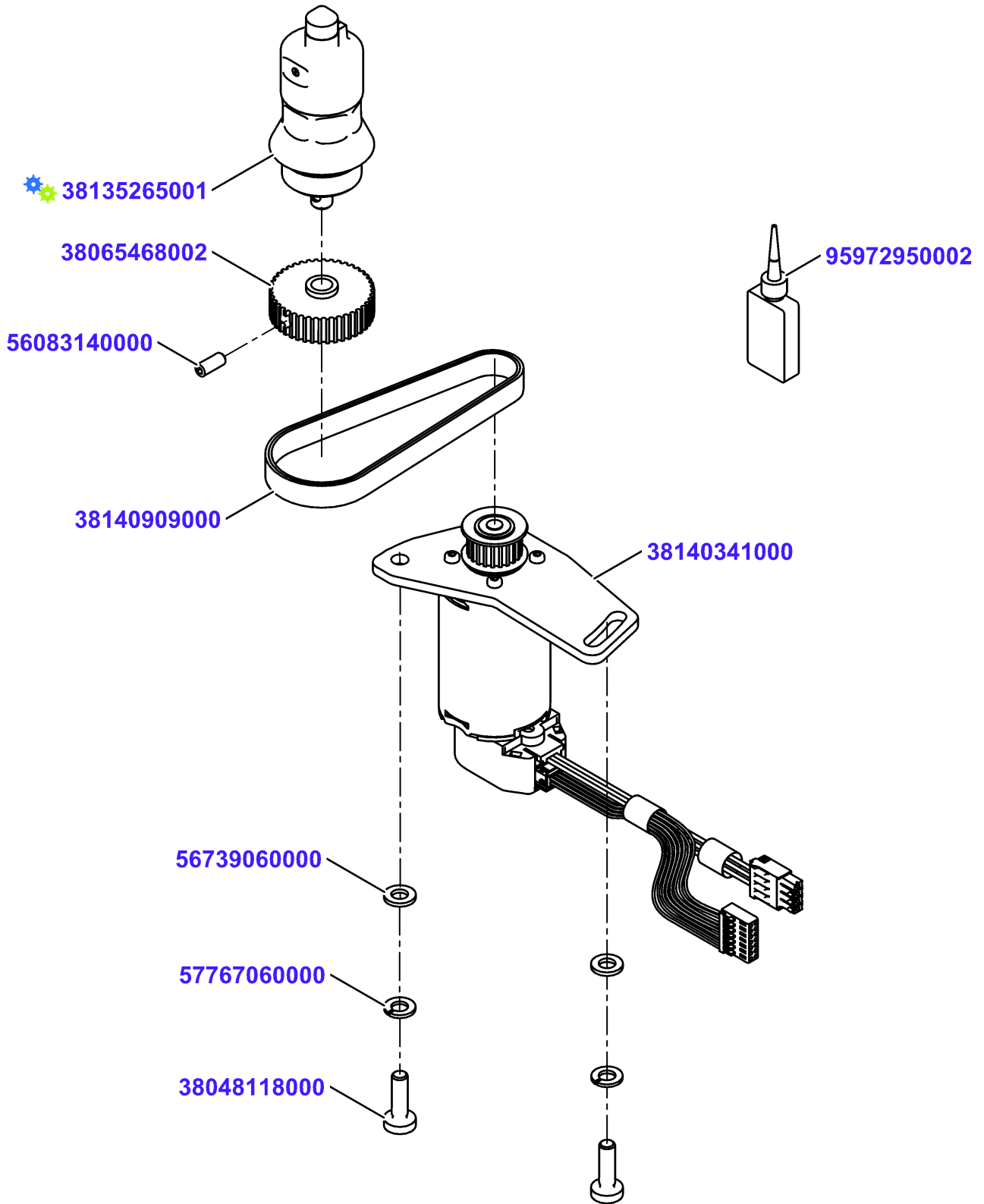
# Chain frame drive

**Material No.**    **Qty**    **Material description**

[38140345000](#)    1    Drive Chainframe cpl

available for order
Wear part
Recomm. sp. part
Metr. relevance

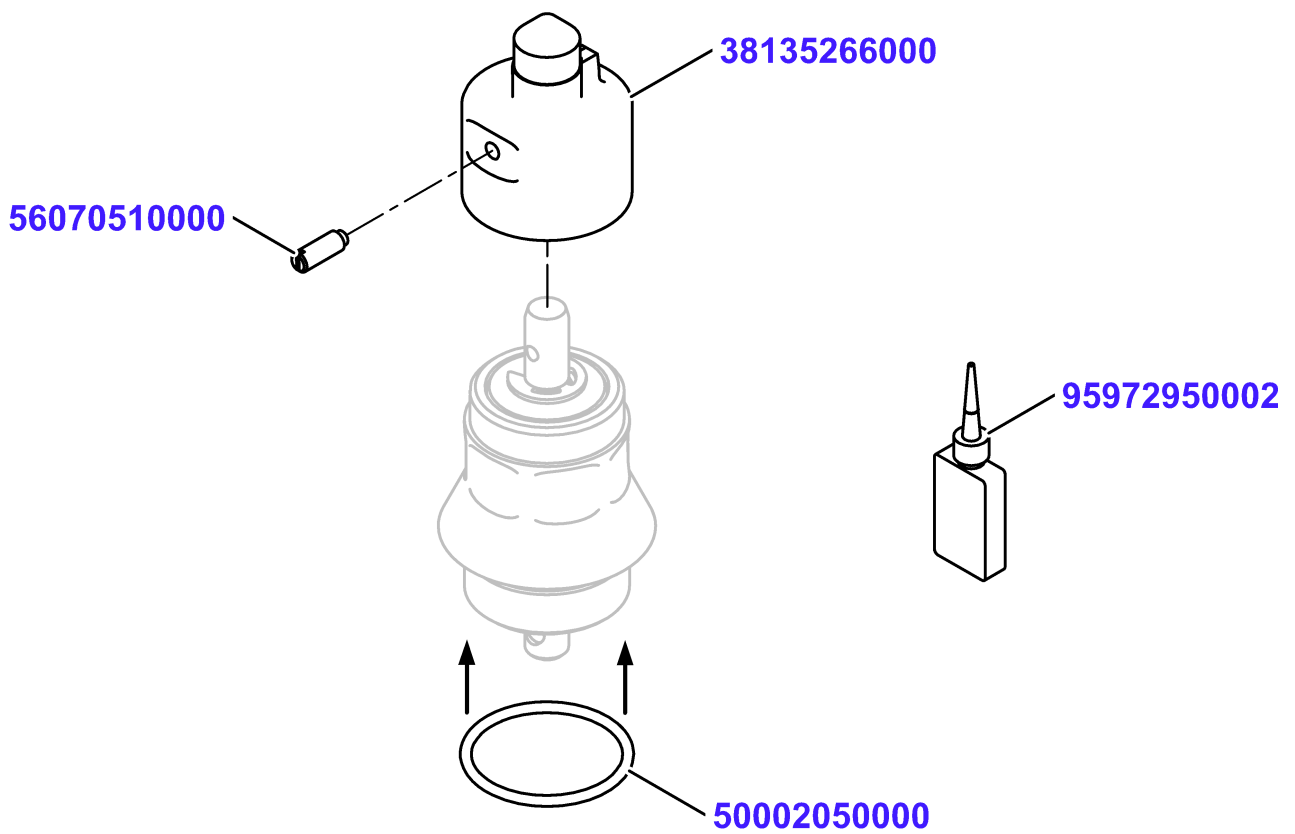
# Drive Chainframe cpl



## Drive Chainframe cpl

Material No.	Qty	Material description	available for order	Wear part	Recomm. sp. part	Metr. relevance
<a href="#">38140341000</a>	1	Chaindrive preass				
<a href="#">38048118000</a>	2	Oval-head screw ISO14583 M6x20-A2-70-T30				
<a href="#">56739060000</a>	2	Washer DIN125-A-6-A2				
<a href="#">57767060000</a>	2	Spring lock washer DIN128-A6-FSt				
<a href="#">38140909000</a>	1	Toothed belt 9 HTD3x267				
<a href="#">38135265001</a>	1	Chain Drive Shaft cpl				
<a href="#">95972950002</a>	0,001	Loctite 243 50 ml				
<a href="#">56083140000</a>	1	Set screw ISO4026 M5x12-A2-70				
<a href="#">38065468002</a>	1	Belt Pulley Z 42 HTD 3M				

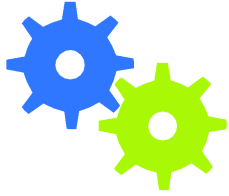
# Chain Drive Shaft cpl



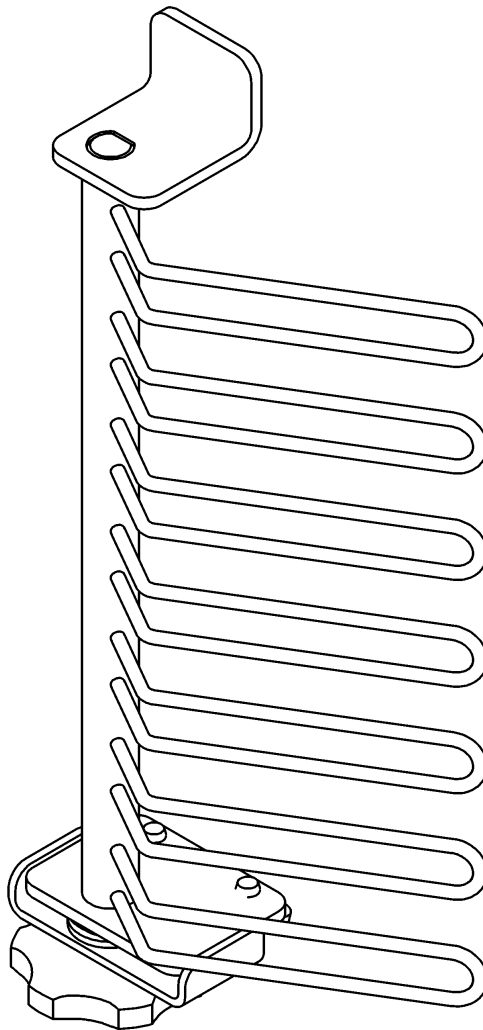
# Chain Drive Shaft cpl

Material No.	Qty	Material description	available for order	Wear part	Recomm. sp. part	Metr. relevance
<a href="#">50002050000</a>	1	O-ring DIN3771 27,5x2 NBR				
<a href="#">38135266000</a>	1	Driving Pin				
<a href="#">56070510000</a>	1	Set screw DIN926 M4x10-A2-70				
<a href="#">95972950002</a>	0,001	Loctite 243 50 ml				

## Chain frame + shaving deflector



**38080991001**



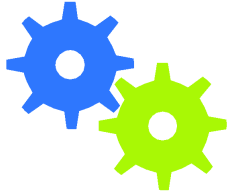
# Chain frame + shaving deflector

**Material No.**    **Qty**    **Material description**

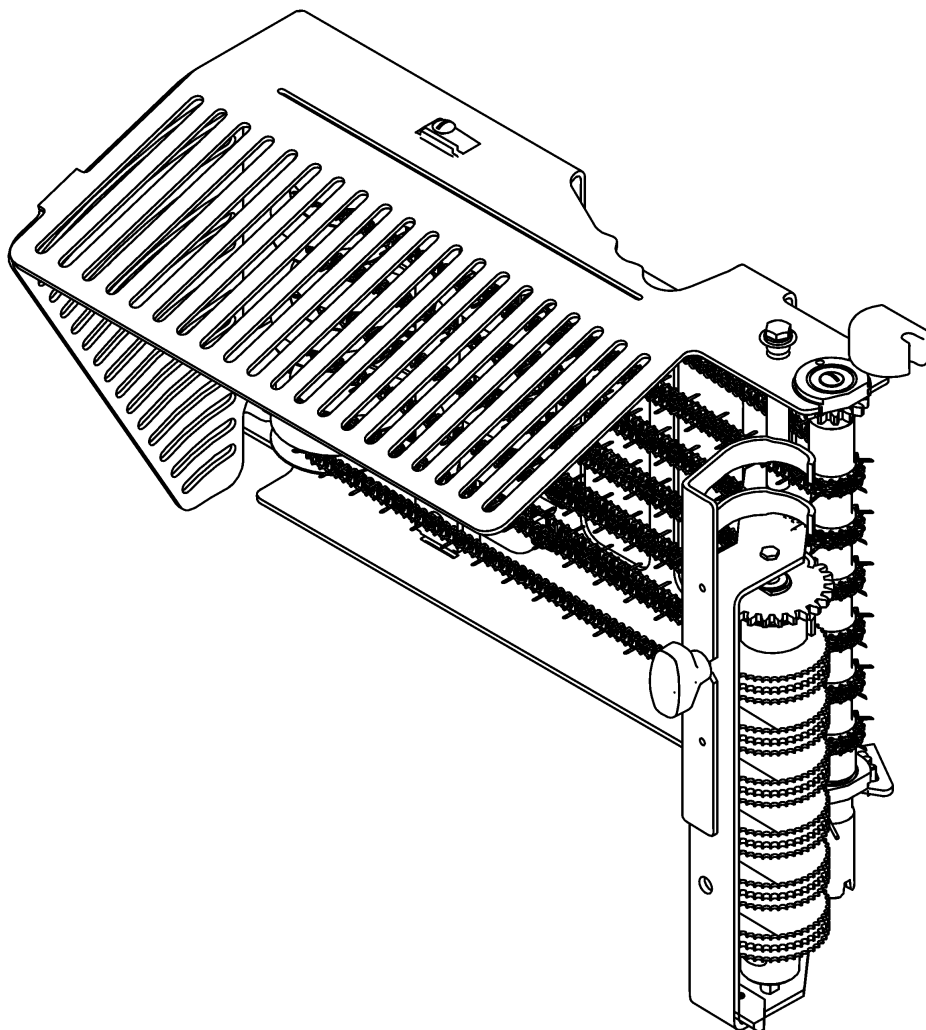
[38080991001](#)    1    Shaving Deflector

available for order
Wear part
Recomm. sp. part
Metr. relevance

## Chain frame + shaving deflector



**38138652000**

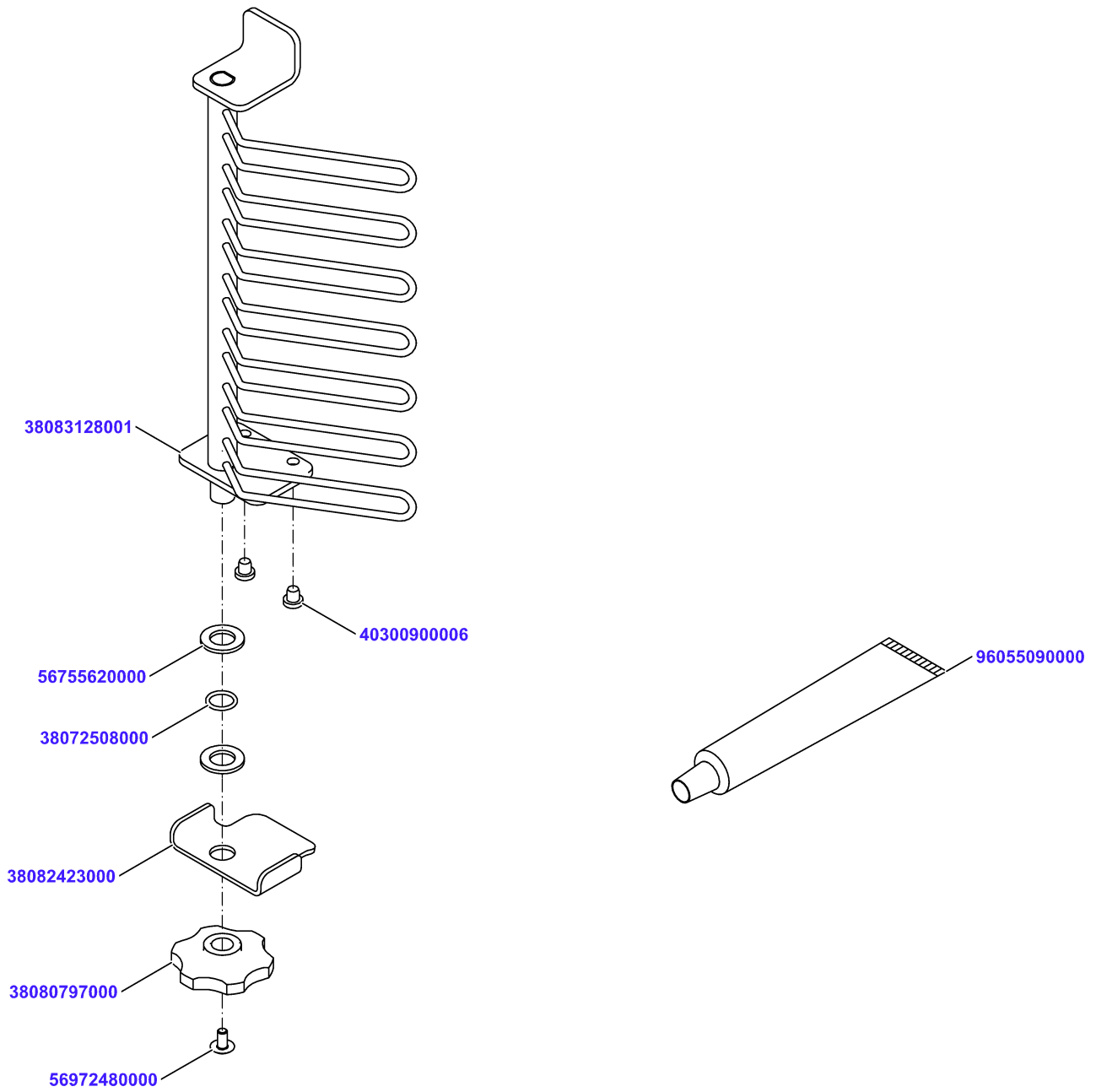


# Chain frame + shaving deflector

Material No.	Qty	Material description
<a href="#">38138652000</a>	1	Chainframe stainless steel cpl. VSI

available for order
Wear part
Recomm. sp. part
Metr. relevance

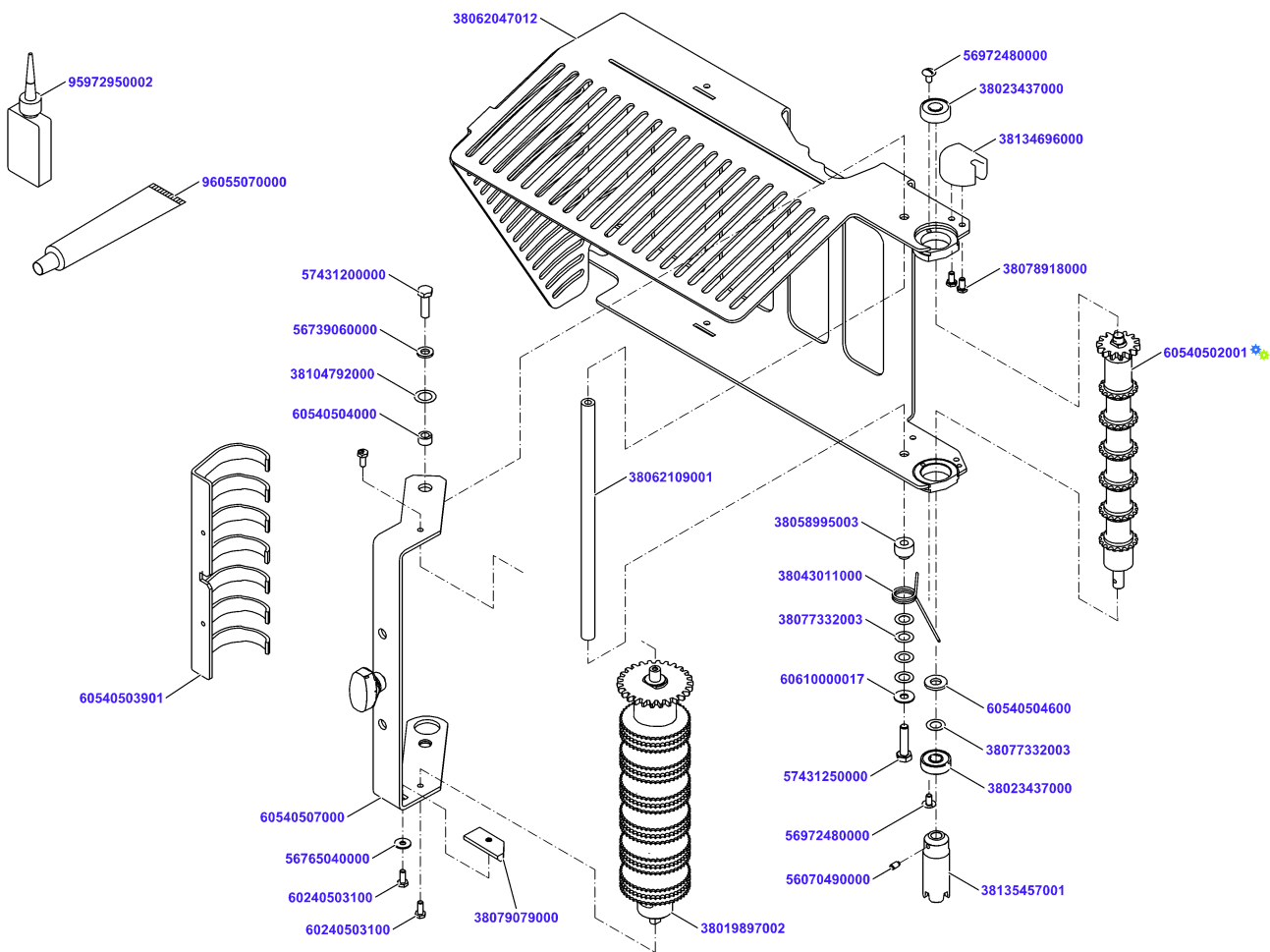
# Shaving Deflector



# Shaving Deflector

Material No.	Qty	Material description	available for order	Wear part	Recomm. sp. part	Metr. relevance
<a href="#">38083128001</a>	1	Shaft preassembled				
<a href="#">40300900006</a>	2	slide pin				
<a href="#">38082423000</a>	1	Clamping plate				
<a href="#">38072508000</a>	1	O-ring 10x1,5 NBR				
<a href="#">56755620000</a>	2	Washer DIN433-10-PA66				
<a href="#">38080797000</a>	1	Star Knob				
<a href="#">96055090000</a>	0,001	Assembly-paste Rivolta F.L.A. 100 ml				
<a href="#">56972480000</a>	1	Mushroom head screw M4x8-A2-70 Tuflok				

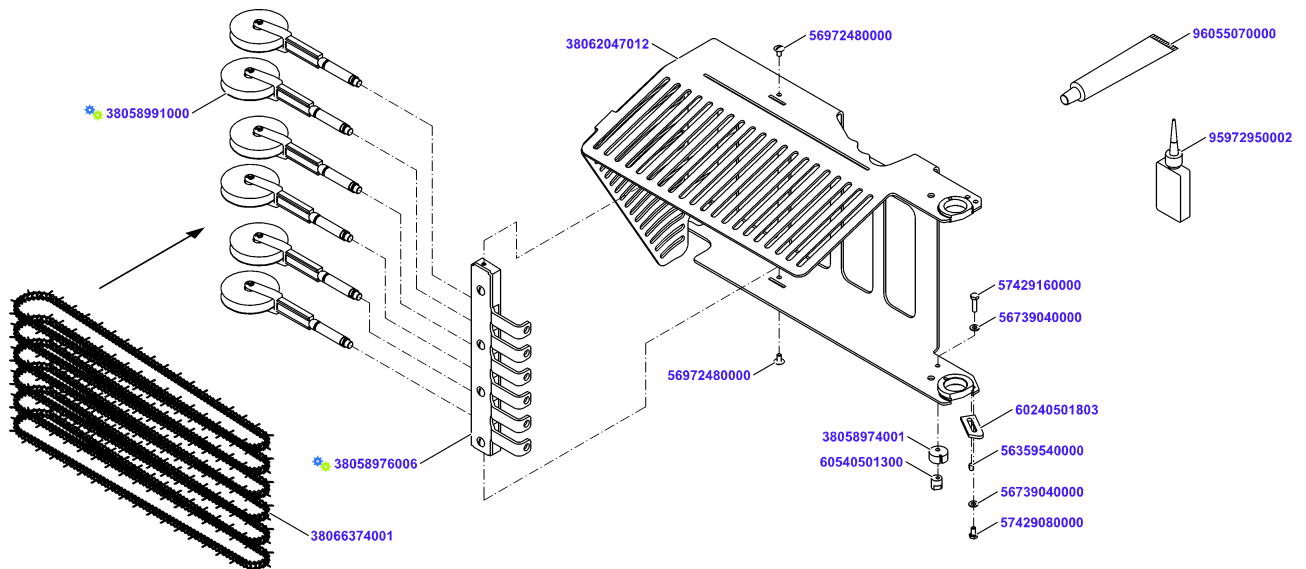
# Chainframe stainless steel cpl. VSI



# Chainframe stainless steel cpl. VSI

Material No.	Qty	Material description	available for order	Wear part	Recomm. sp. part	Metr. relevance
38062047012	1	Frame cpl. VSI	✓			
38023437000	2	Grooved Ball Bearing 608 2RSVA with Barr	✓			
95972950002	0,001	Loctite 243 50 ml	✓			
56972480000	2	Mushroom head screw M4x8-A2-70 Tuflok	✓			
60540502001	1	Plastic roller wheel cpl.	✓			
60540504600	1	cover plate	✓			
38077332003	1	Thrusted washer 13,8x8,2x0,18	✓			
56972480000	2	Mushroom head screw M4x8-A2-70 Tuflok	✓			
38135457001	1	Cam Sleeve preass.	✓		✓	
56070490000	1	Set screw DIN926 M4x6-A2-70	✓			
96055070000	0,001	Grease PARALIQ GA 343	✓			
38019897002	1	Plastic roller cpl	✓			
60540507000	1	bracket cpl.	✓			
60240503100	2	Hexagon screw DIN 933 M4x10-A2-70	✓			
38062109001	1	Distance Piece	✓			
60540504000	1	sleeve	✓			
38104792000	1	Shim ring DIN988-10x16x0,1	✓			
56739060000	1	Washer DIN125-A-6-A2	✓			
57431200000	1	Hexagon screw DIN933 M6x20 A2-70	✓			
38058995003	1	Bushing	✓			
38043011000	1	Torsion Spring	✓			
38077332003	4	Thrusted washer 13,8x8,2x0,18	✓			
60610000017	1	washer	✓			
57431250000	1	Hexagon screw DIN933 M6x25 A2-70	✓			
38079079000	1	Driver	✓			
60240503100	1	Hexagon screw DIN 933 M4x10-A2-70	✓			
56765040000	1	Washer DIN9021-4-A2	✓			
60540503901	1	guide cam	✓			
38134696000	1	Fixation 35x15	✓			
38078918000	2	Hexagon Screw M4x8 A2-70 rounded head	✓			

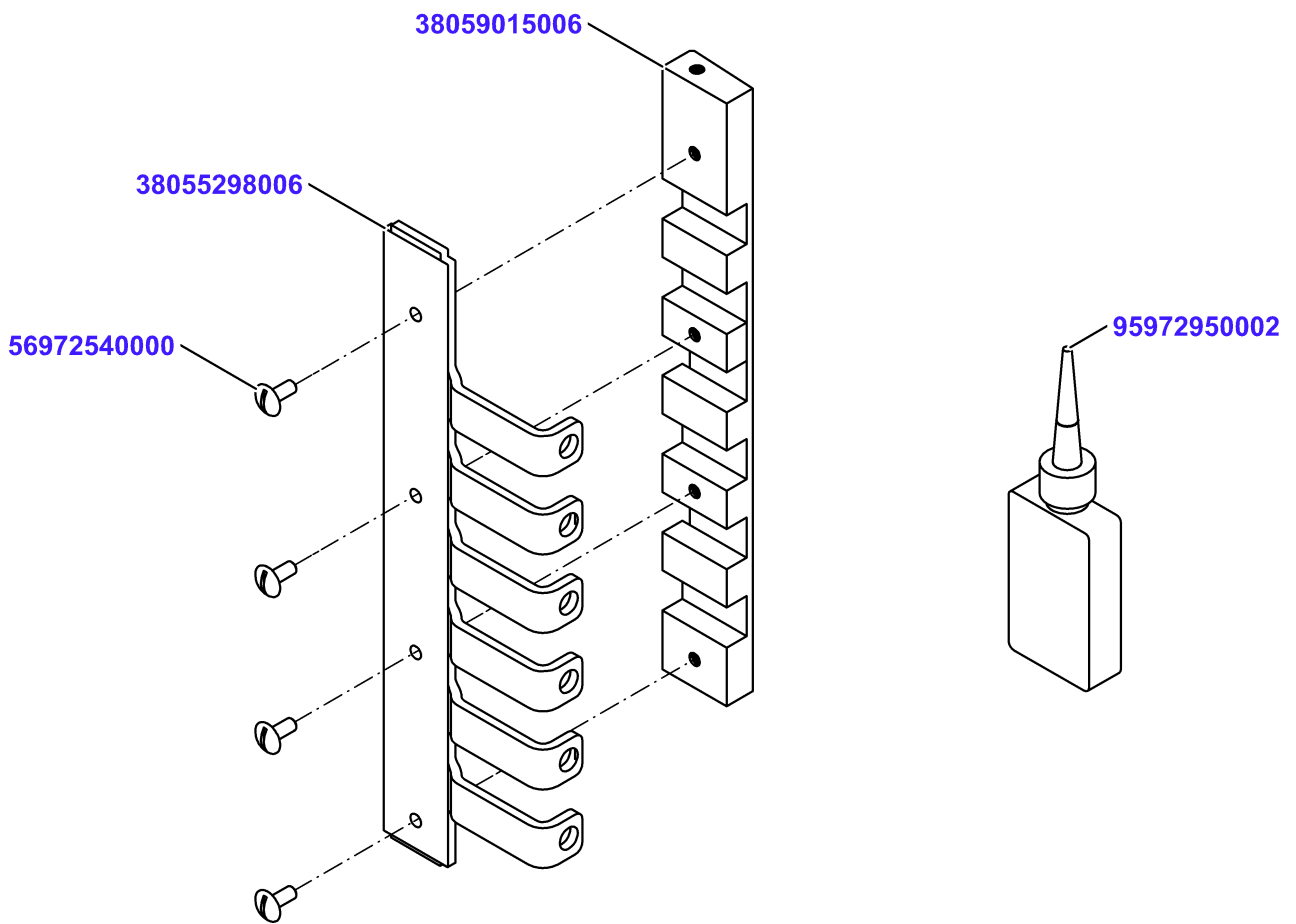
# Chainframe stainless steel cpl. VSI







## Chainframe stainless steel cpl. VSI

Material No.	Qty	Material description	available for order	Wear part	Recomm. sp. part	Metr. relevance
<a href="#">38062047012</a>	1	Frame cpl. VSI	✓			
<a href="#">38058974001</a>	1	Tappet	✓			
<a href="#">60540501300</a>	1	stop	✓			
<a href="#">57429160000</a>	1	Hexagon screw DIN933 M4x16 A2-70	✓			
<a href="#">56739040000</a>	1	Washer DIN125-A 4.3-A2-70	✓			
<a href="#">95972950002</a>	0,001	Loctite 243 50 ml	✓			
<a href="#">38058976006</a>	1	Slider Mounting cpl	✓			
<a href="#">56972480000</a>	2	Mushroom head screw M4x8-A2-70 Tuflok	✓			
<a href="#">56972480000</a>	2	Mushroom head screw M4x8-A2-70 Tuflok	✓			
<a href="#">38058991000</a>	6	Slider cpl	✓			
<a href="#">96055070000</a>	0,001	Grease PARALIQ GA 343	✓			
<a href="#">38066374001</a>	6	Chain	✓	✓	✓	
<a href="#">60240501803</a>	1	Driver 35x14x3	✓			
<a href="#">56359540000</a>	1	Grooved Pin DIN 1473-4x6-A2-70	✓			
<a href="#">57429080000</a>	1	Hexagon screw DIN933 M4x8 A2-70	✓			
<a href="#">56739040000</a>	1	Washer DIN125-A 4.3-A2-70	✓			

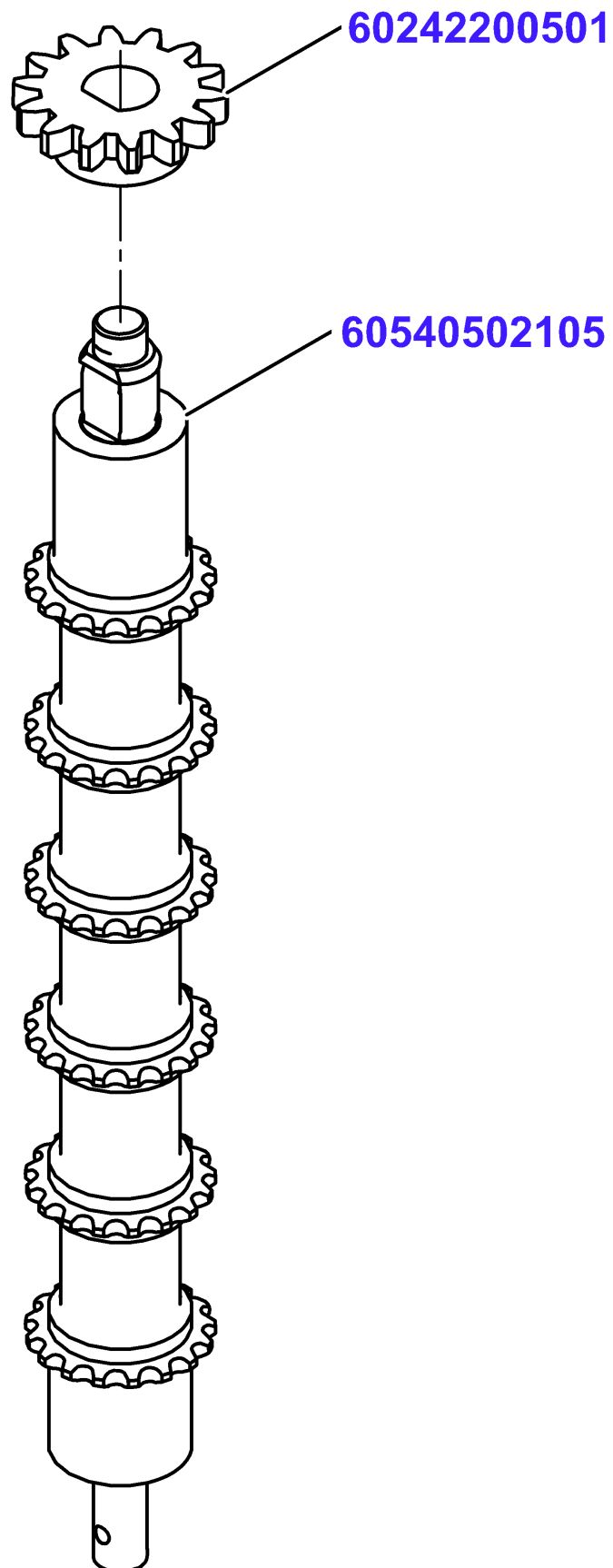
# Slider Mounting cpl



# Slider Mounting cpl

Material No.	Qty	Material description	available for order	Wear part	Recomm. sp. part	Metr. relevance
<a href="#">38059015006</a>	1	Slider Mounting				
<a href="#">38055298006</a>	1	Plate				
<a href="#">56972540000</a>	4	Mushroom head screw M4x10-A2-70				
<a href="#">95972950002</a>	0,001	Loctite 243 50 ml				

## Plastic roller wheel cpl.

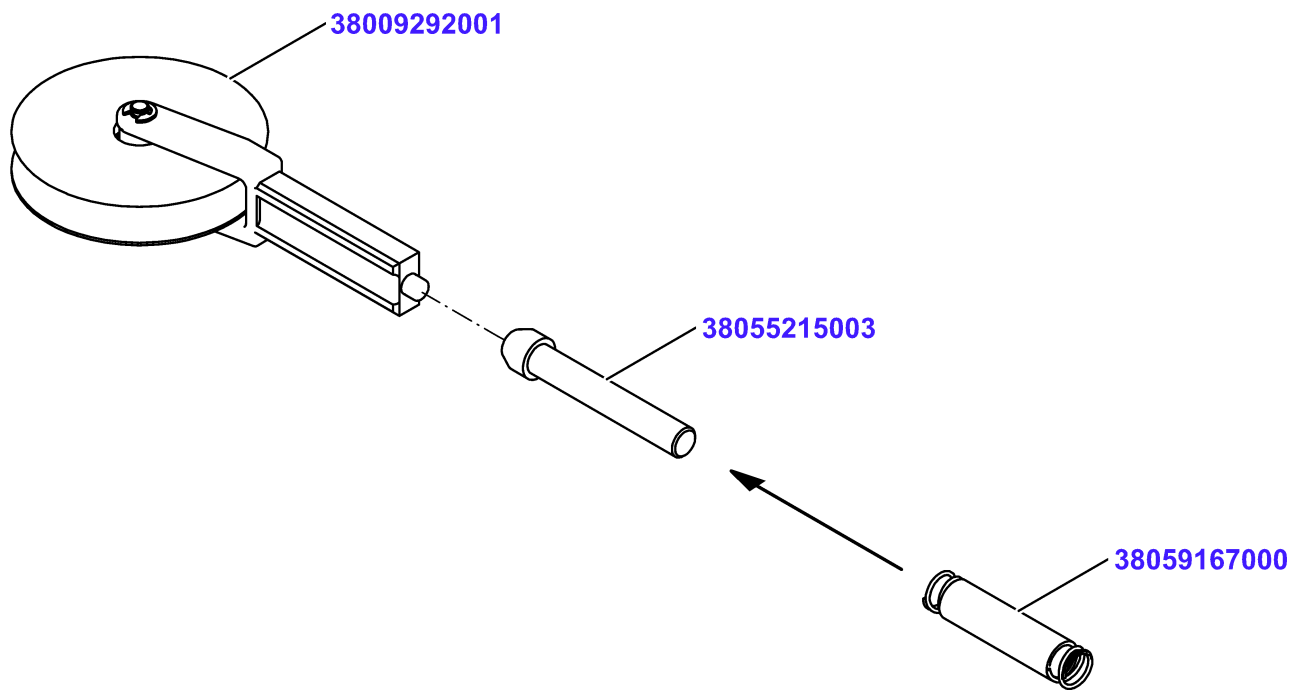


## Plastic roller wheel cpl.

Material No.	Qty	Material description
<a href="#">60540502105</a>	1	Drive roller chain frame
<a href="#">60242200501</a>	1	gear wheel for drive roller

available for order
Wear part
Recomm. sp. part
Metr. relevance

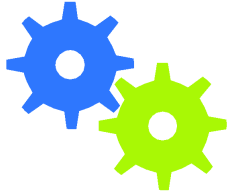
# Slider cpl



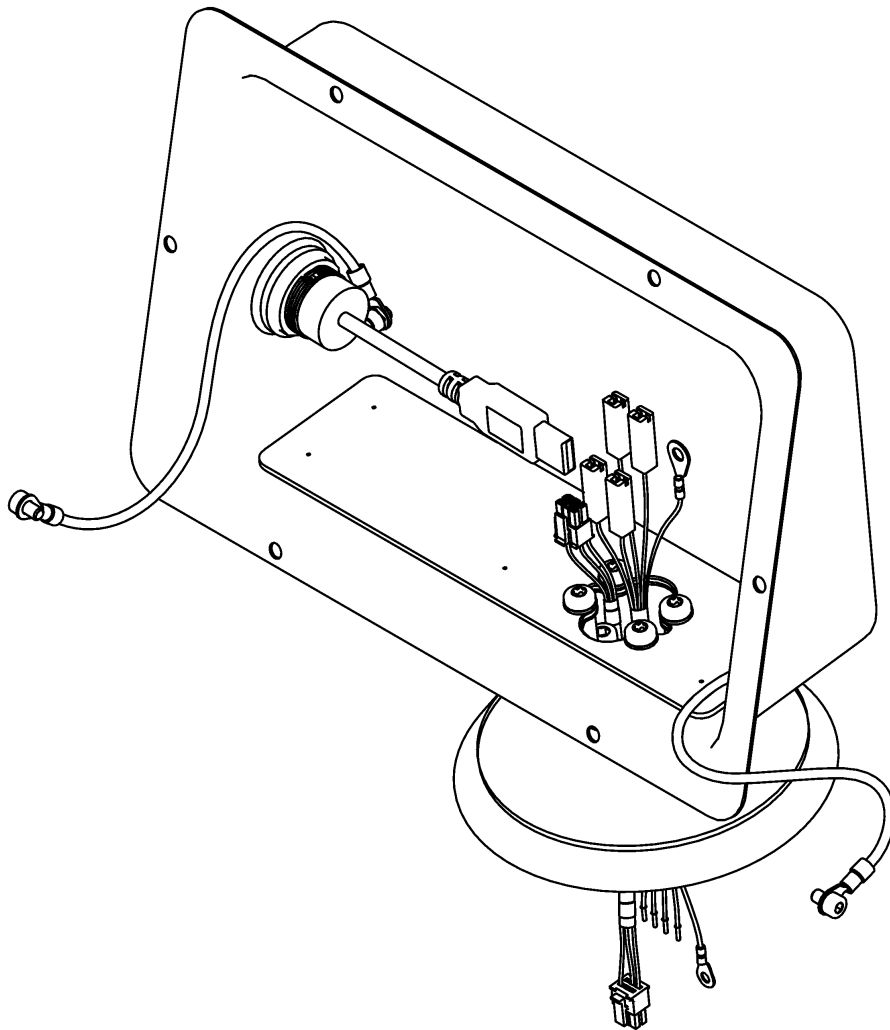
# Slider cpl

Material No.	Qty	Material description	available for order	Wear part	Recomm. sp. part	Metr. relevance
<a href="#">38009292001</a>	1	Slider prem				
<a href="#">38055215003</a>	1	Bolt				
<a href="#">38059167000</a>	1	Comp. spring 9,5x7,7x43x13,49-0,86				

# Terminal



**38057764007**

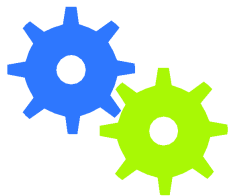


# Terminal

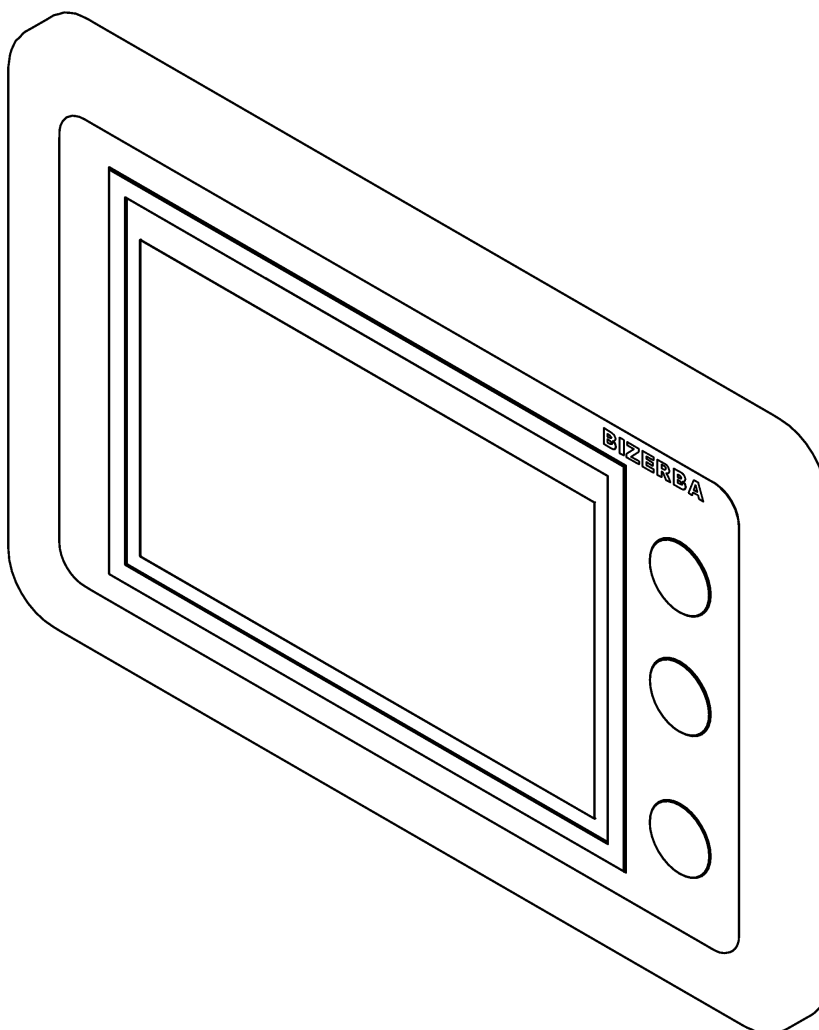
Material No.	Qty	Material description
<a href="#">38057764007</a>	1	Terminal Mounting Kit top cpl.

available for order
Wear part
Recomm. sp. part
Metr. relevance

# Terminal



**38057765005**

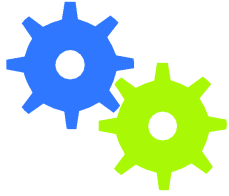


**up to 11993764**

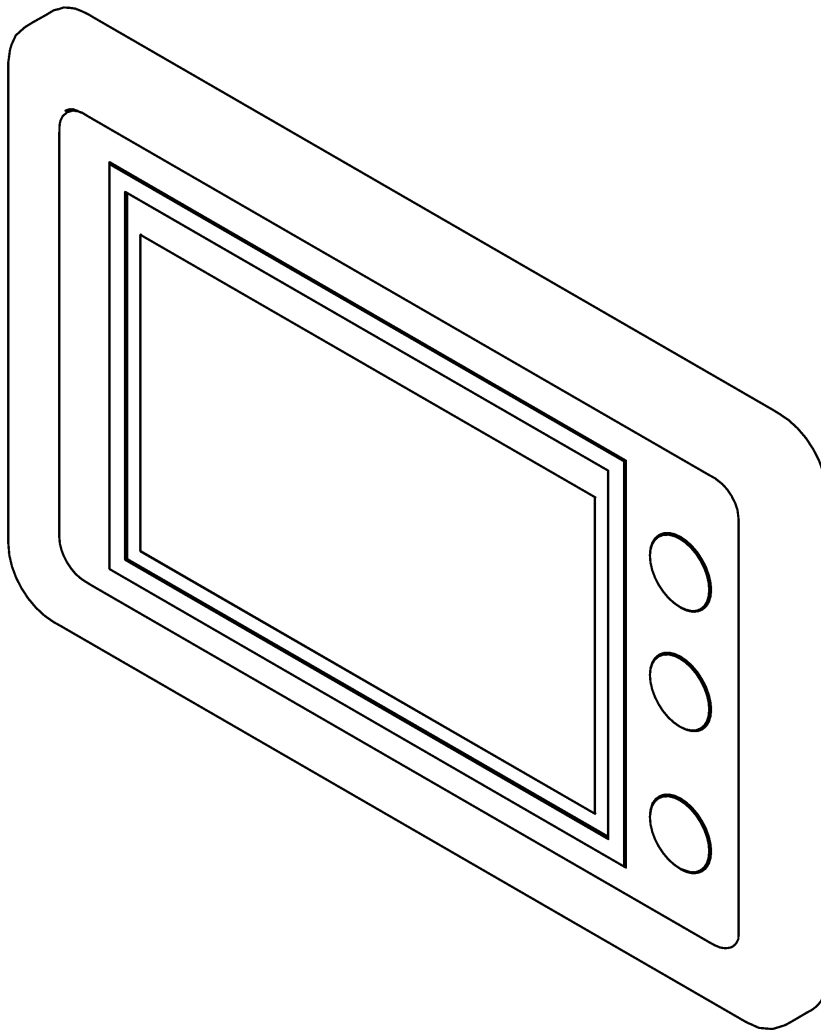
# Terminal

Material No.	Qty	Material description	available for order	Wear part	Recomm. sp. part	Metr. relevance
38057765005	1	Terminal Front cpl.				

# Terminal



**38057765006**

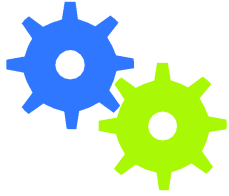


**from 11993765**

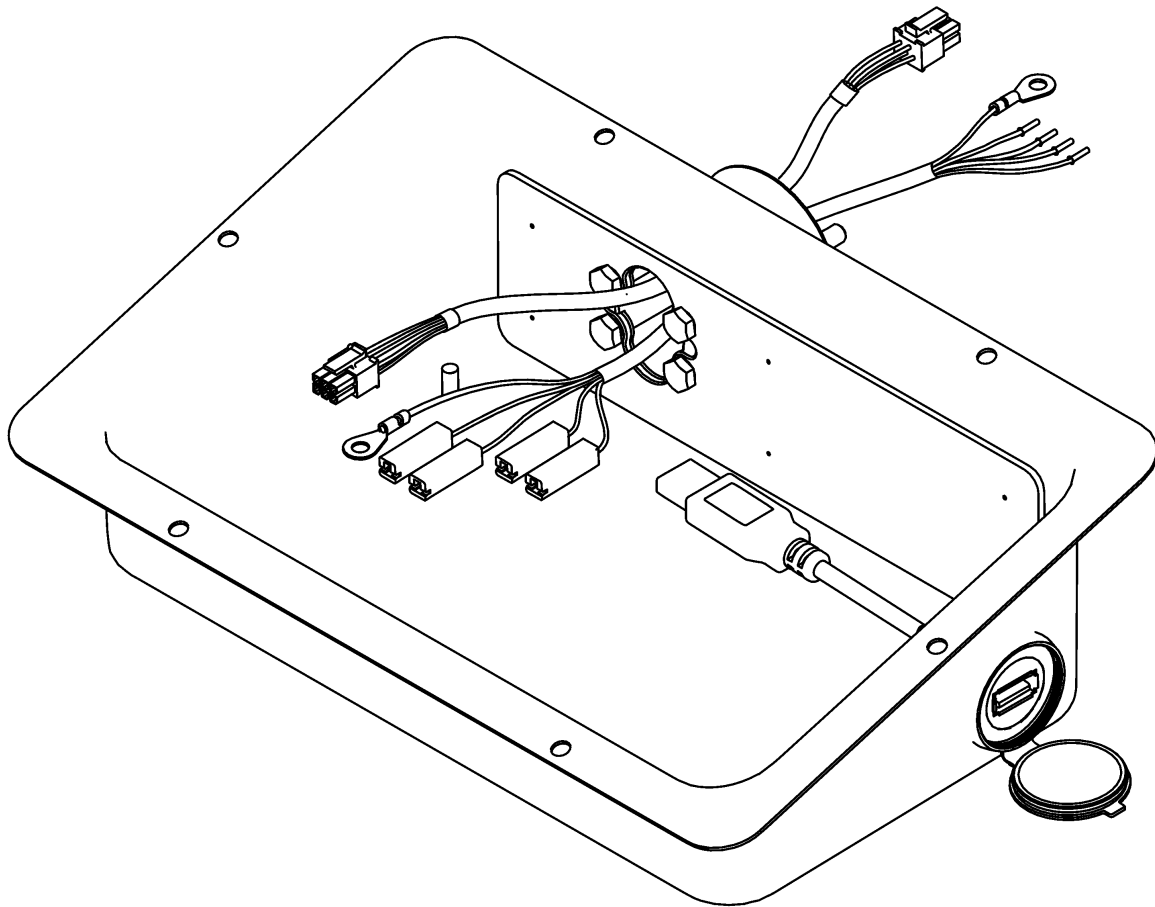
# Terminal

Material No.	Qty	Material description	available for order	Wear part	Recomm. sp. part	Metr. relevance
38057765006	1	Terminal Front cpl. VSI				

# Terminal



**38057769005**

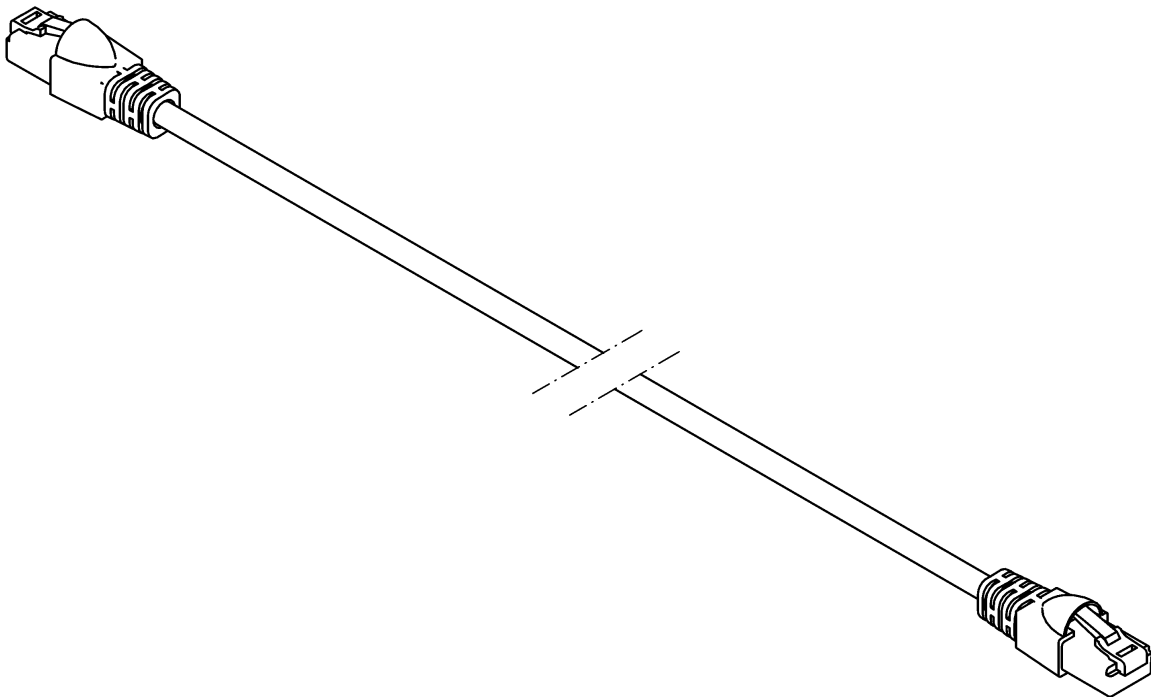


# Terminal


Material No.	Qty	Material description	available for order	Wear part	Recomm. sp. part	Metr. relevance
<a href="#">38057769005</a>	1	Terminal Mounting Kit bottom cpl				

## Terminal

**38067150000**

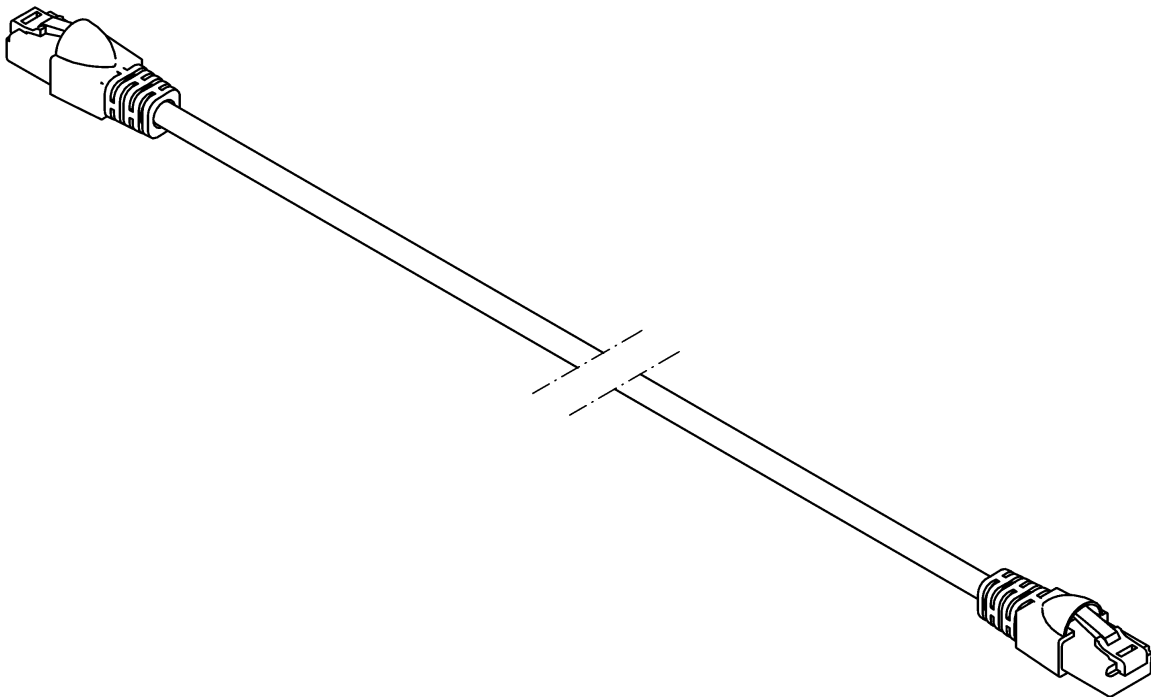


# Terminal


Material No.	Qty	Material description	available for order	Wear part	Recomm. sp. part	Metr. relevance
38067150000	1	Patchcable 3,0m CAT6a AWG27 halogen-free				

## Terminal

**38067162000**

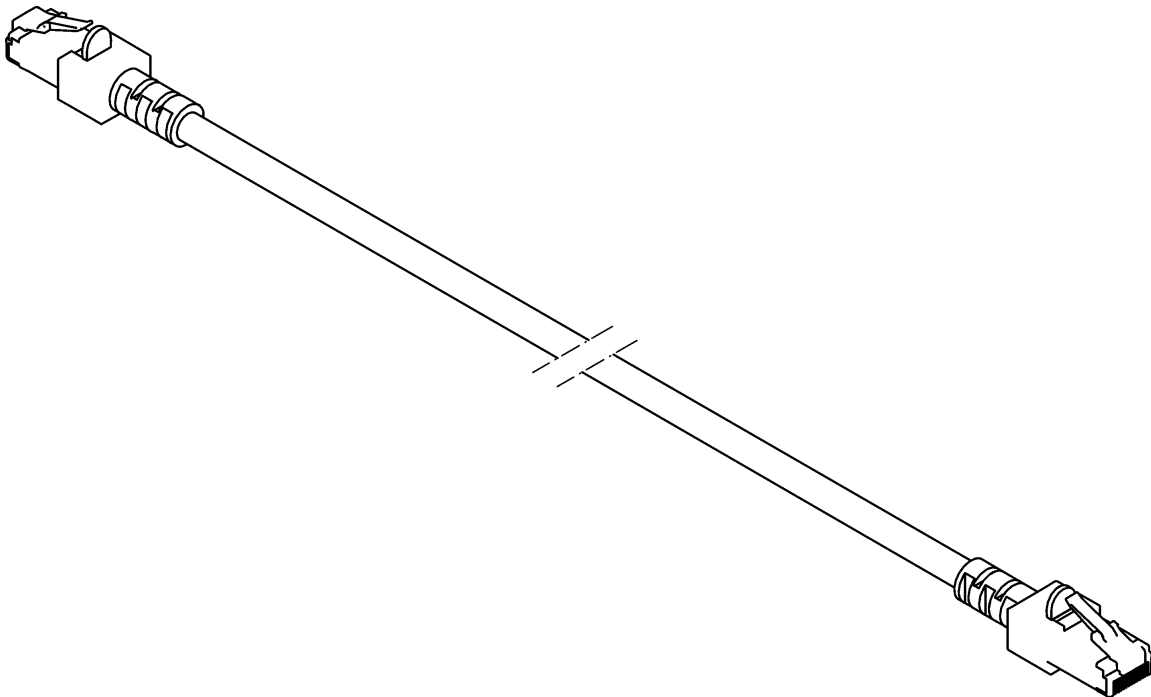


# Terminal

Material No.	Qty	Material description	available for order	Wear part	Recomm. sp. part	Metr. relevance
<a href="#">38067162000</a>	1	Patchcable 5,0m CAT6a AWG27 halogen-free				


## Terminal

**71473870000**

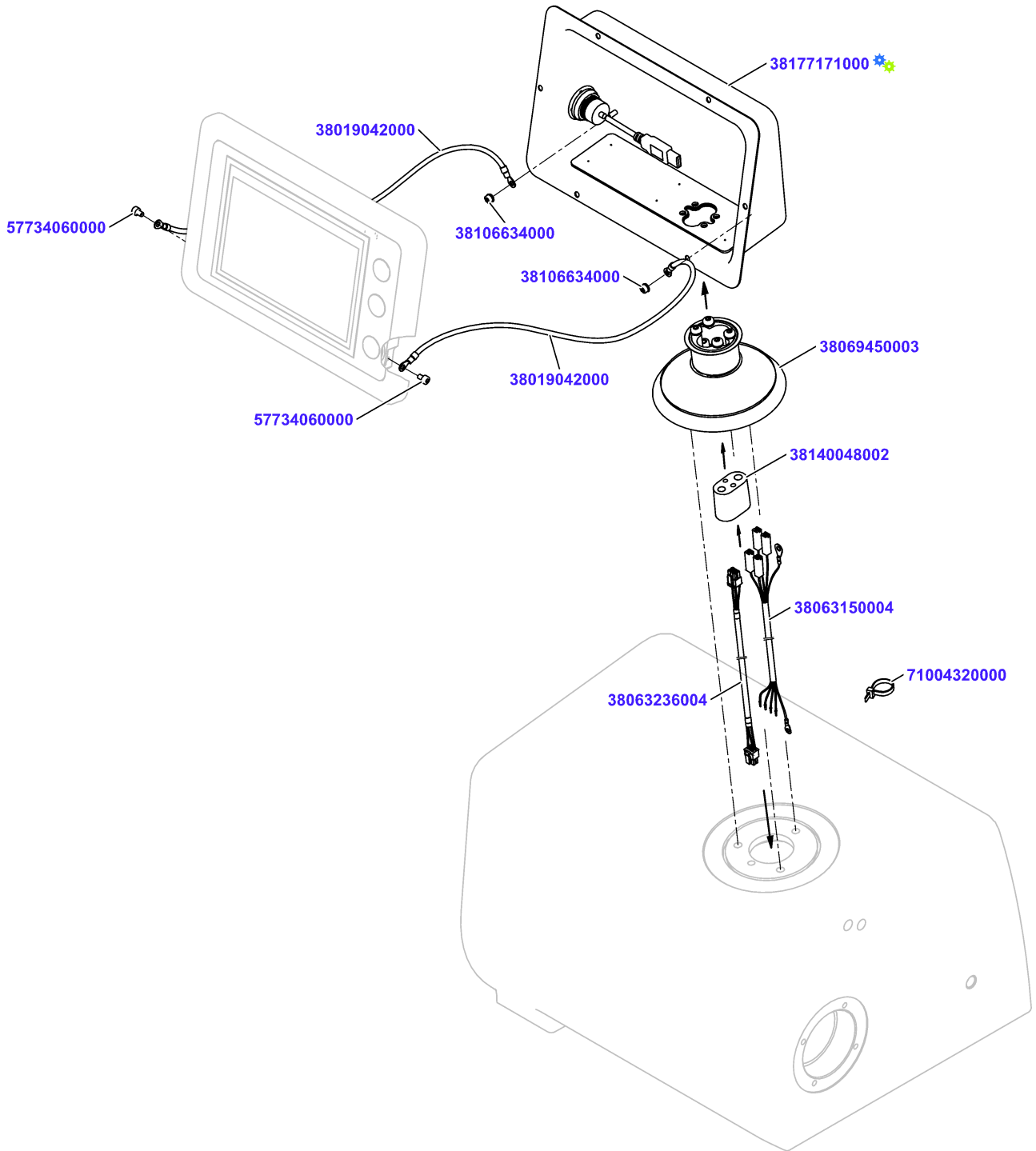


# Terminal

Material No.	Qty	Material description
<a href="#">71473870000</a>	1	Patch Cable 2M CAT5E 26AWG

	available for order
	Wear part
	Recomm. sp. part
	Metr. relevance

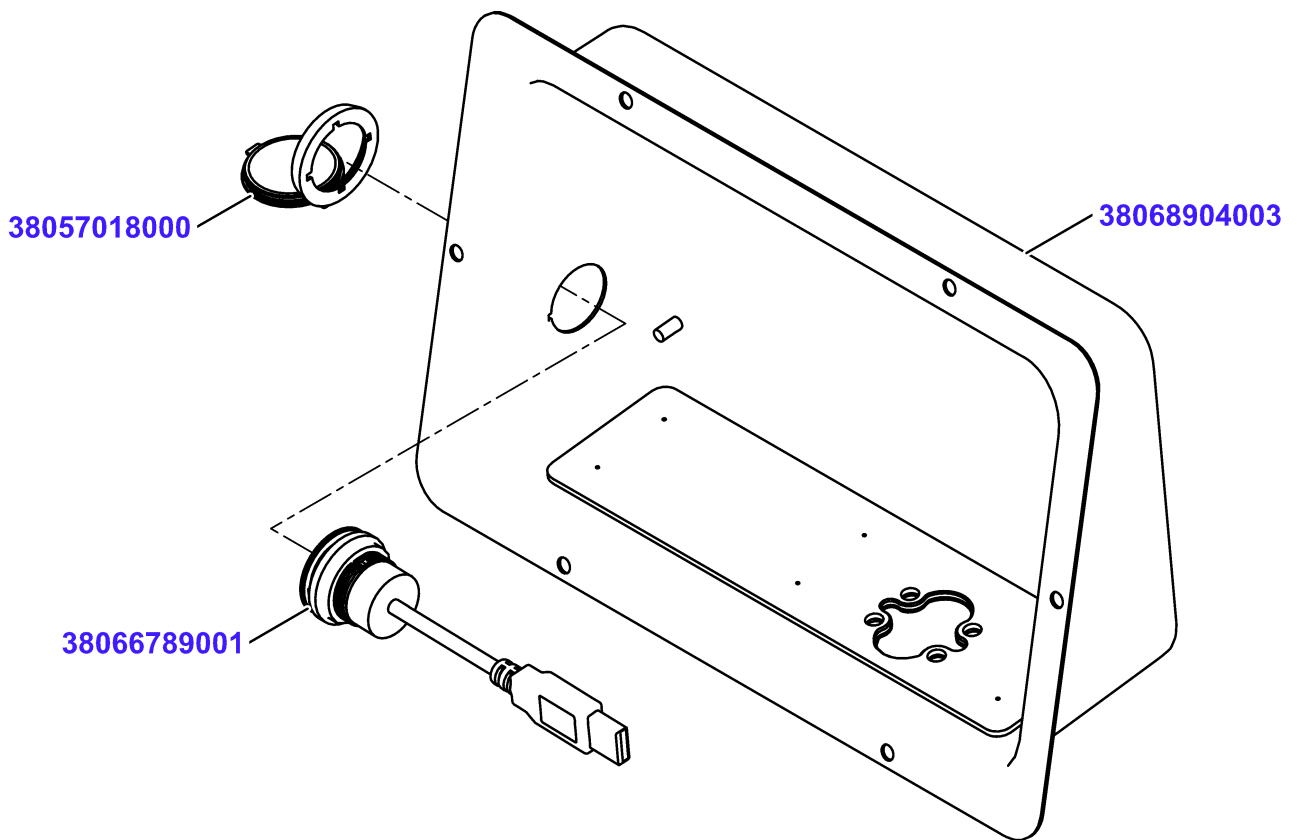
# Terminal Mounting Kit top cpl.






## Terminal Mounting Kit top cpl.

Material No.	Qty	Material description	available for order	Wear part	Recomm. sp. part	Metr. relevance
<a href="#">38177171000</a>	1	Terminal Mounting Kit top preassy.				
<a href="#">38069450003</a>	1	Mounting Kit top cpl	✓			
<a href="#">57734060000</a>	2	Cylinder screw DIN912 M4x6-8.8	✓			
<a href="#">38106634000</a>	2	Lock nut ISO10511-M4-A4	✓			
<a href="#">38063236004</a>	1	Ka Rd 3x2x0,25 1,35m	✓			
<a href="#">38063150004</a>	1	Ka Rd 5G0,5 1,65m	✓			
<a href="#">71004320000</a>	1	Cable Tie T40R	✓			
<a href="#">38140048002</a>	1	Plug for 18x33	✓	✓		
<a href="#">38019042000</a>	2	Ka Li BK 0,200m	✓			

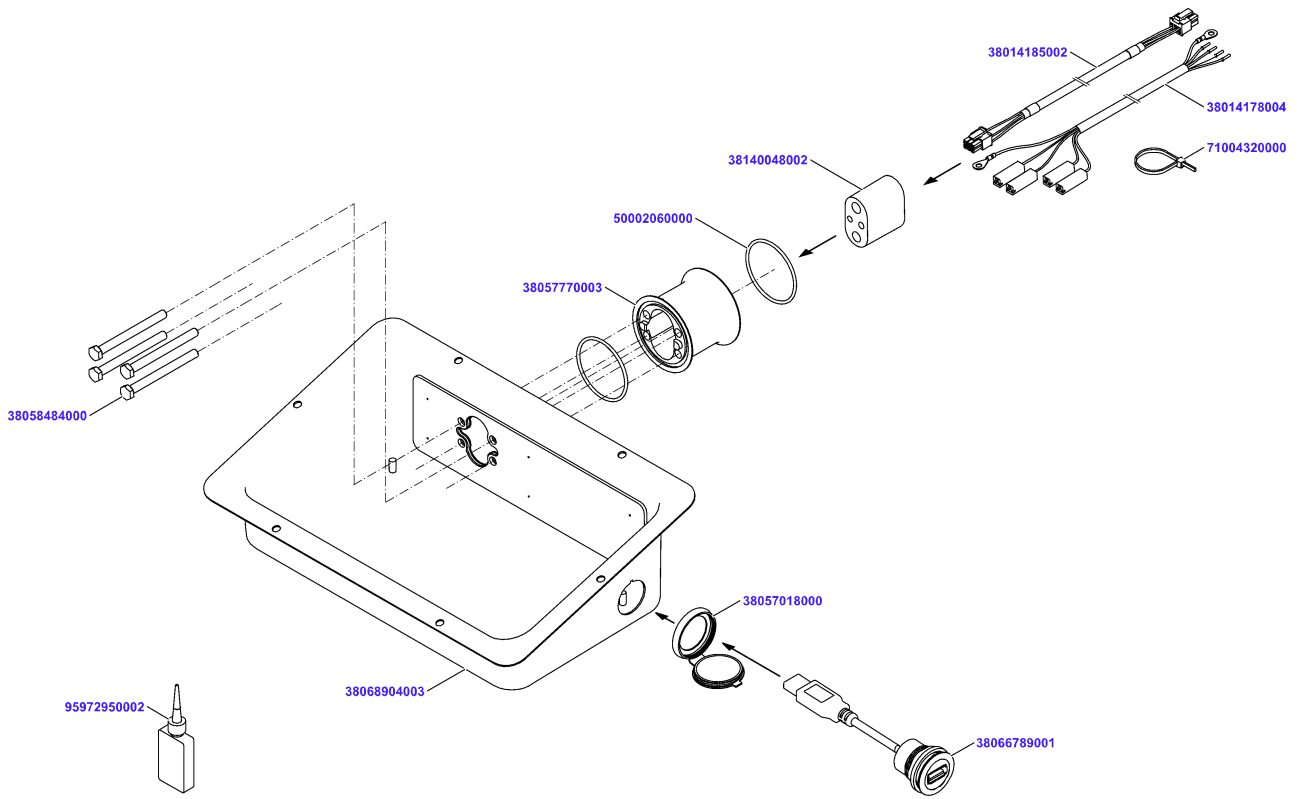
# Terminal Mounting Kit top preassy.



## Terminal Mounting Kit top preassy.

Material No.	Qty	Material description	available for order	Wear part	Recomm. sp. part	Metr. relevance
<a href="#">38068904003</a>	1	Housing, display 260,4 x 161,3 x 80,3				
<a href="#">38066789001</a>	1	USB-Socket RRJ USB 0.28m				
<a href="#">38057018000</a>	1	Protective cap AK22RRSW				

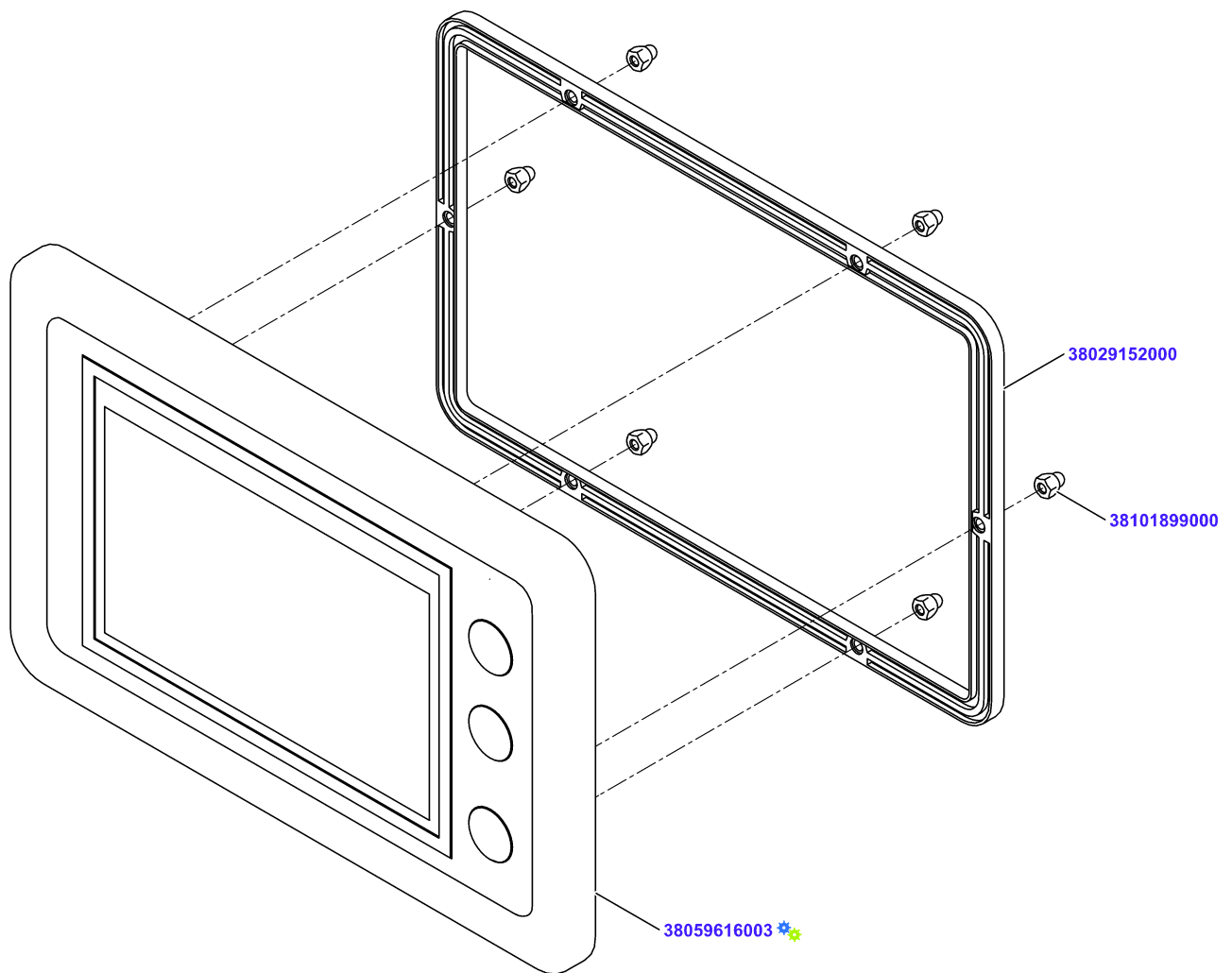
# Terminal Mounting Kit bottom cpl



## Terminal Mounting Kit bottom cpl

Material No.	Qty	Material description	available for order	Wear part	Recomm. sp. part	Metr. relevance
<a href="#">38068904003</a>	1	Housing, display 260,4 x 161,3 x 80,3	✓			
<a href="#">38057770003</a>	1	Distance Piece	✓			
<a href="#">50002060000</a>	2	O-ring DIN3771 37,82x1,78 NBR	✓			
<a href="#">38058484000</a>	4	Hexagon screw DIN933 M5x55 A2-70	✓			
<a href="#">95972950002</a>	0,001	Loctite 243 50 ml	✓			
<a href="#">38066789001</a>	1	USB-Socket RRJ USB 0.28m	✓			
<a href="#">38014185002</a>	1	Ka Rd 3x2x0,25 0,97m	✓			
<a href="#">38057018000</a>	1	Protective cap AK22RRSW	✓			
<a href="#">38014178004</a>	1	Ka Rd 5G0,5 1,25m	✓			
<a href="#">71004320000</a>	1	Cable Tie T40R	✓			
<a href="#">38140048002</a>	1	Plug for 18x33	✓			

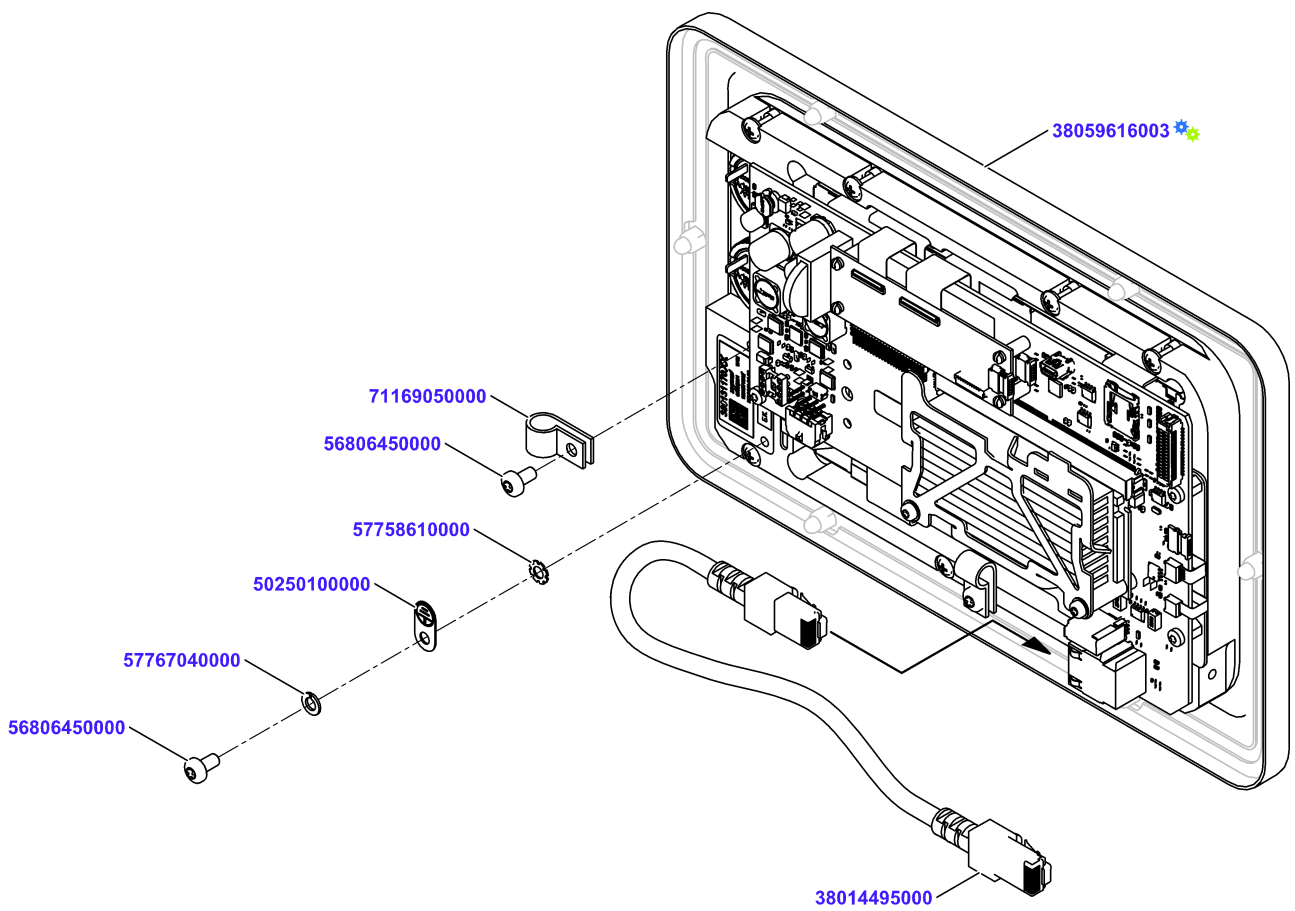
# Terminal Front cpl.



## Terminal Front cpl.

Material No.	Qty	Material description	available for order	Wear part	Recomm. sp. part	Metr. relevance
<a href="#">38059616003</a>	1	Terminal Front and CPU	✓			
<a href="#">38029152000</a>	1	seal CT501	✓		✓	
<a href="#">38101899000</a>	6	Cap nut DIN986-M4-A2	✓			

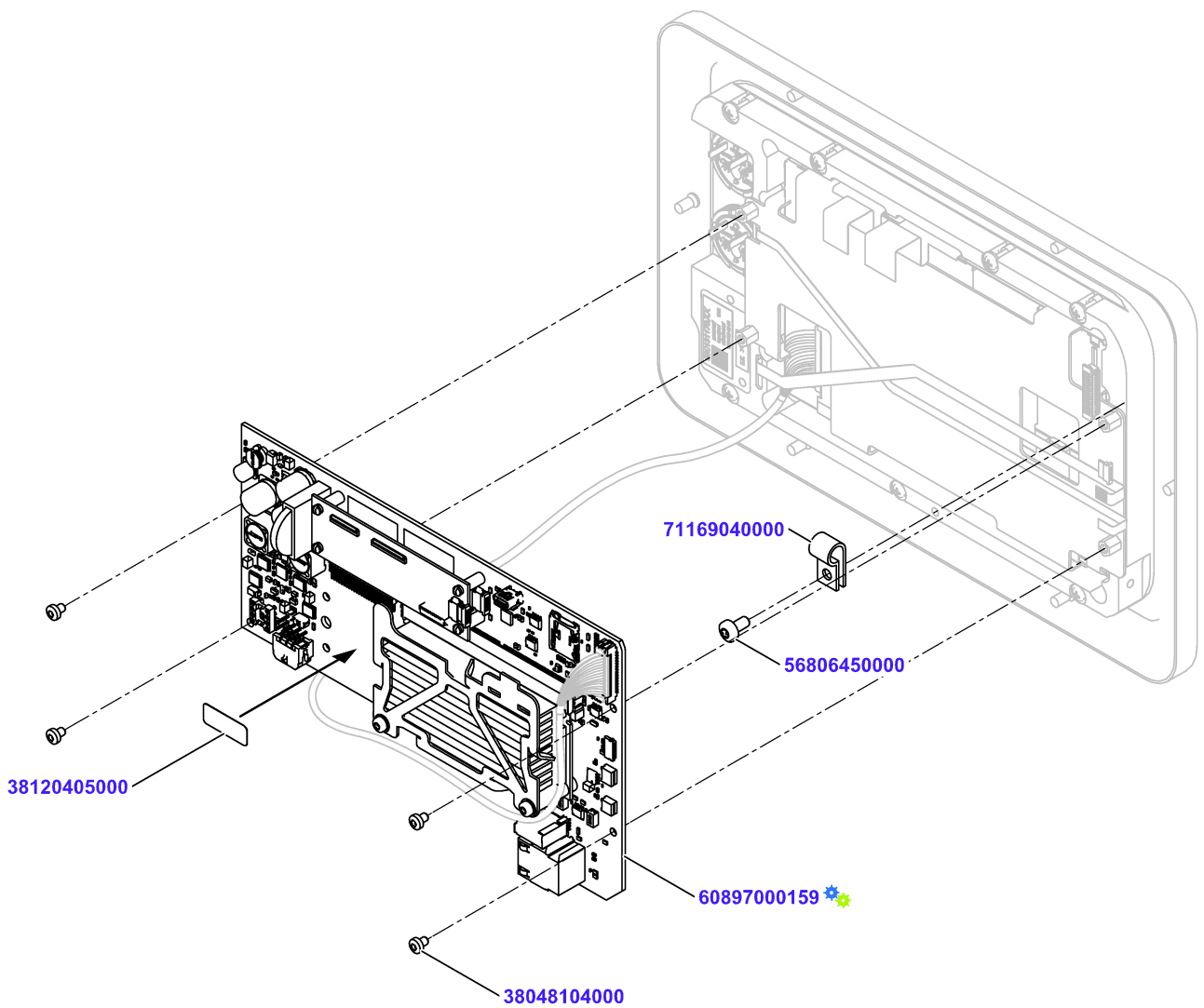
# Terminal Front cpl.



## Terminal Front cpl.

Material No.	Qty	Material description	available for order	Wear part	Recomm. sp. part	Metr. relevance
<a href="#">38059616003</a>	1	Terminal Front and CPU				
<a href="#">71169050000</a>	1	Cable Clamp nylon 7,4mm NK-5N				
<a href="#">56806450000</a>	1	Oval-head screw ISO14583 M4x8-A2-70-T20				
<a href="#">50250100000</a>	1	Grounding Plate 9x17/4.3 D				
<a href="#">56806450000</a>	1	Oval-head screw ISO14583 M4x8-A2-70-T20				
<a href="#">57767040000</a>	1	Spring lock washer DIN128-A4-FSt				
<a href="#">57758610000</a>	1	Toothed washer DIN6797-A 4,3-Fst				
<a href="#">38014495000</a>	1	Patchcable Cat 5e U-UTP UL 1,5m				

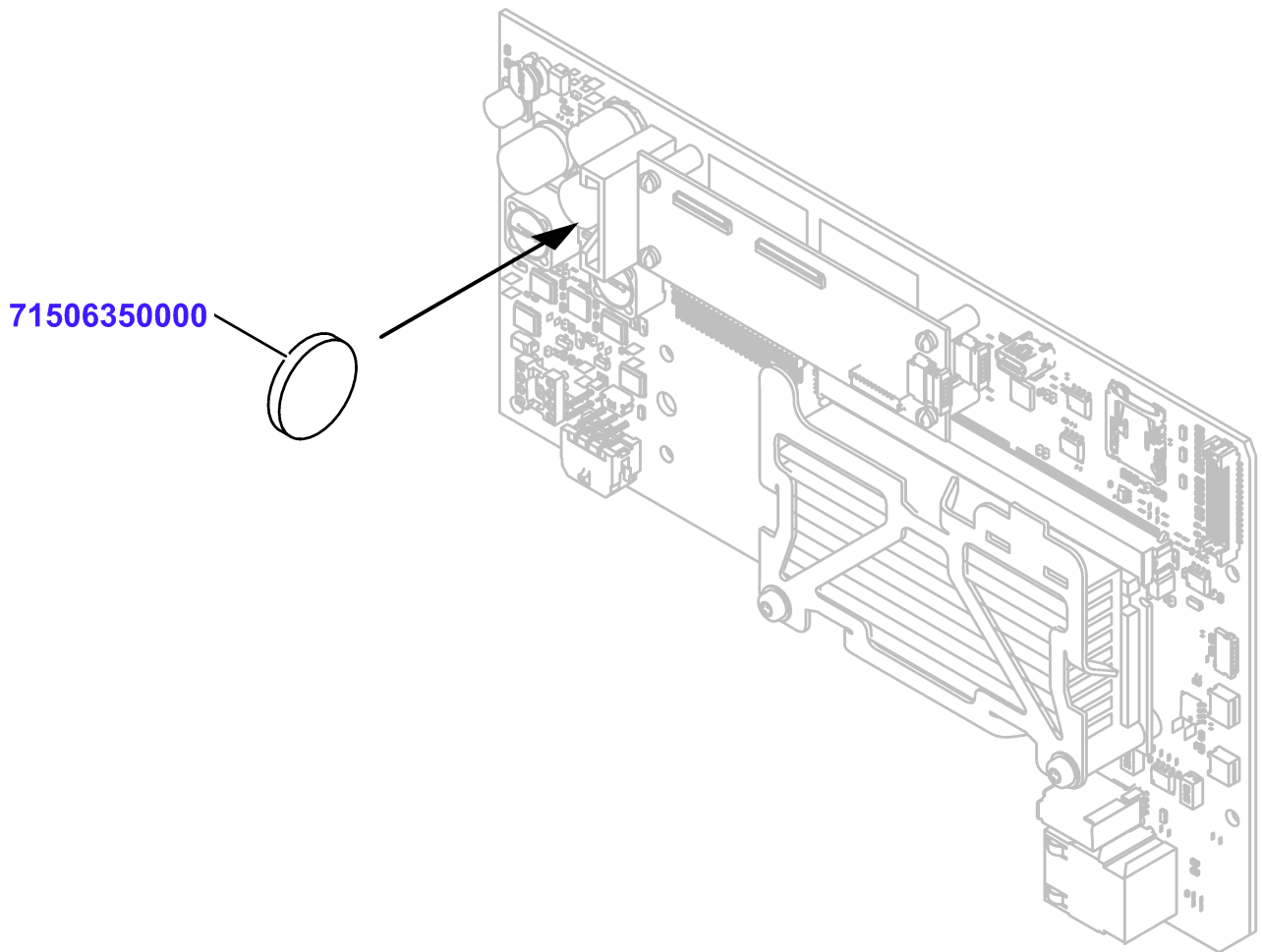
# Terminal Front and CPU



## Terminal Front and CPU

Material No.	Qty	Material description	available for order	Wear part	Recomm. sp. part	Metr. relevance
<a href="#">60897000159</a>	1	Apalis carrierboard + iMX6 1GB Quad				
<a href="#">38120405000</a>	1	Label Softw. License Win Compact 2013 GE	✓			
<a href="#">38048104000</a>	4	Oval-head screw ISO14583 M3x4-A2-70-T10	✓			
<a href="#">56806450000</a>	1	Oval-head screw ISO14583 M4x8-A2-70-T20	✓			
<a href="#">71169040000</a>	1	Nylon-Clips NK-4N	✓			

# Apalis carrierboard + iMX6 1GB Quad

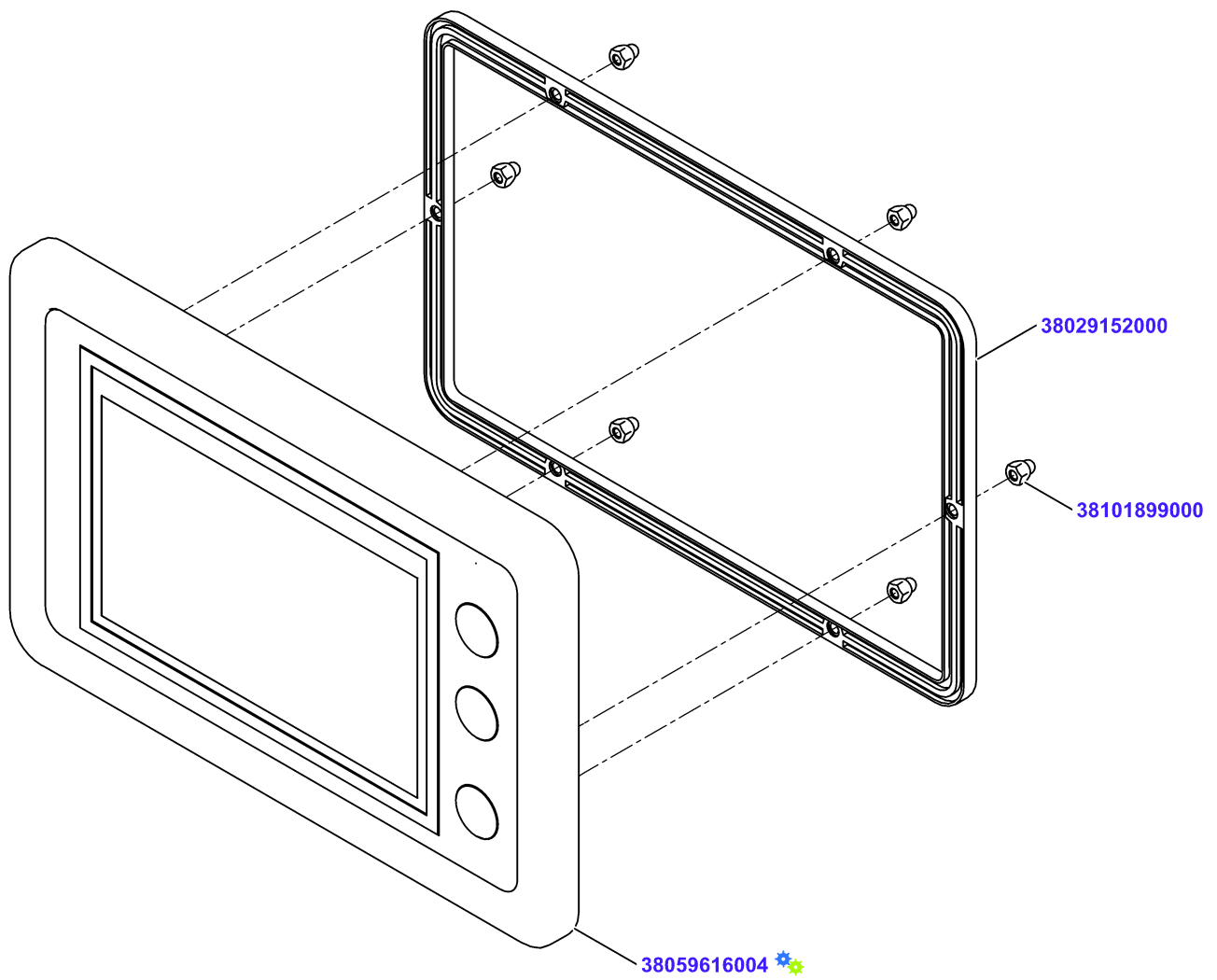


# Apalis carrierboard + iMX6 1GB Quad

Material No.	Qty	Material description
<a href="#">71506350000</a>	1	Battery Lithium Cell CR2032 UL


available for order	Wear part	Recomm. sp. part	Metr. relevance

# Terminal Front cpl. VSI

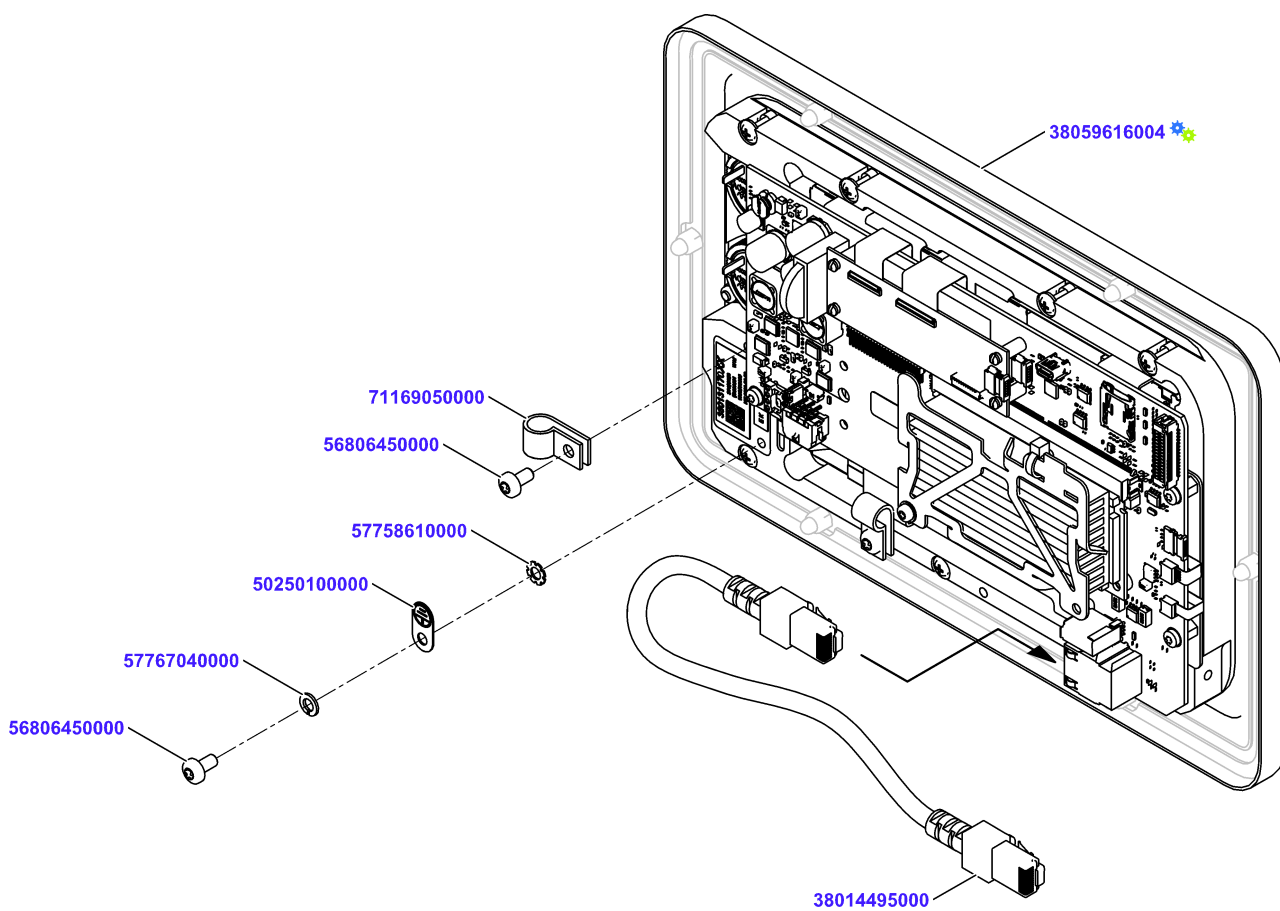


# Terminal Front cpl. VSI

Material No.	Qty	Material description
<a href="#">38059616004</a>	1	Terminal Front and CPU VSI


	available for order
	Wear part
	Recomm. sp. part
	Metr. relevance

# Terminal Front cpl. VSI

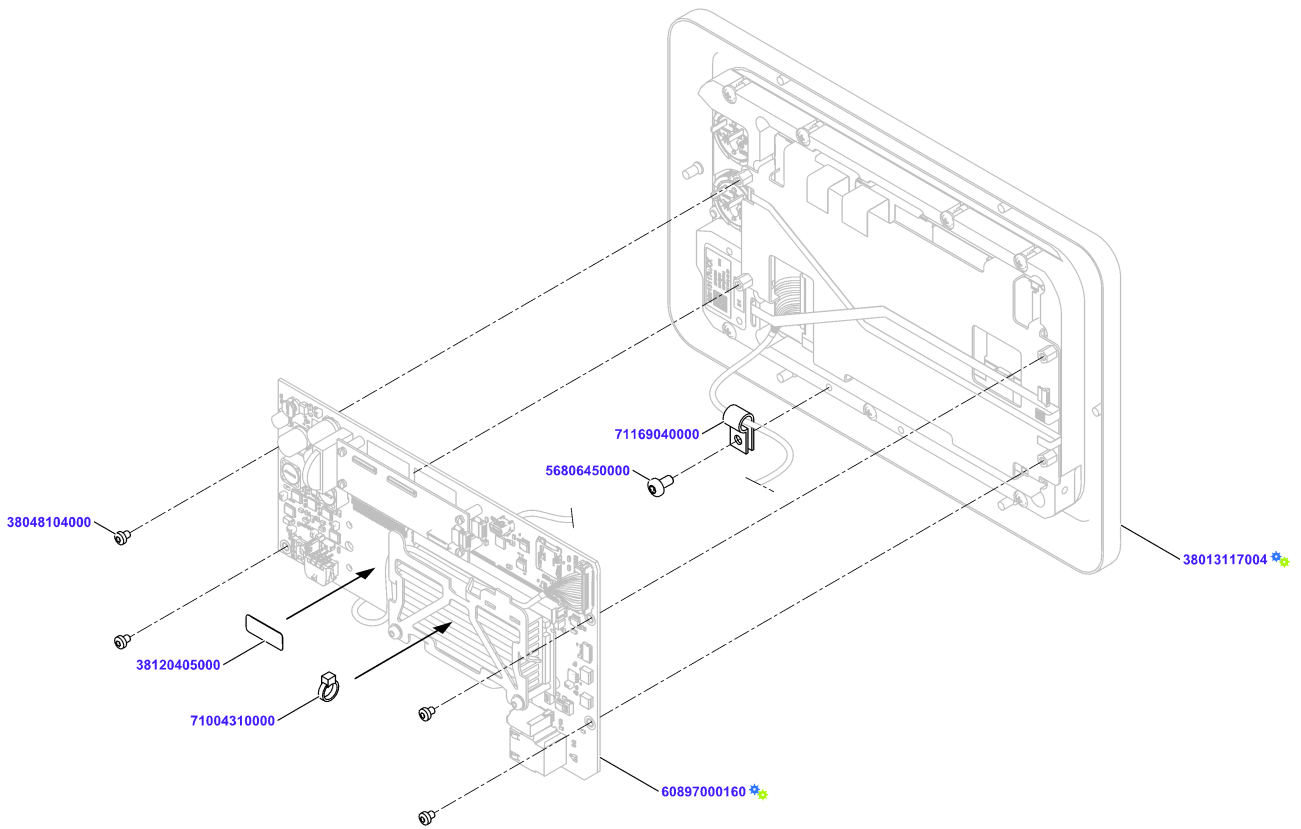


# Terminal Front cpl. VSI

Material No.	Qty	Material description
<a href="#">38059616004</a>	1	Terminal Front and CPU VSI

	available for order
	Wear part
	Recomm. sp. part
	Metr. relevance

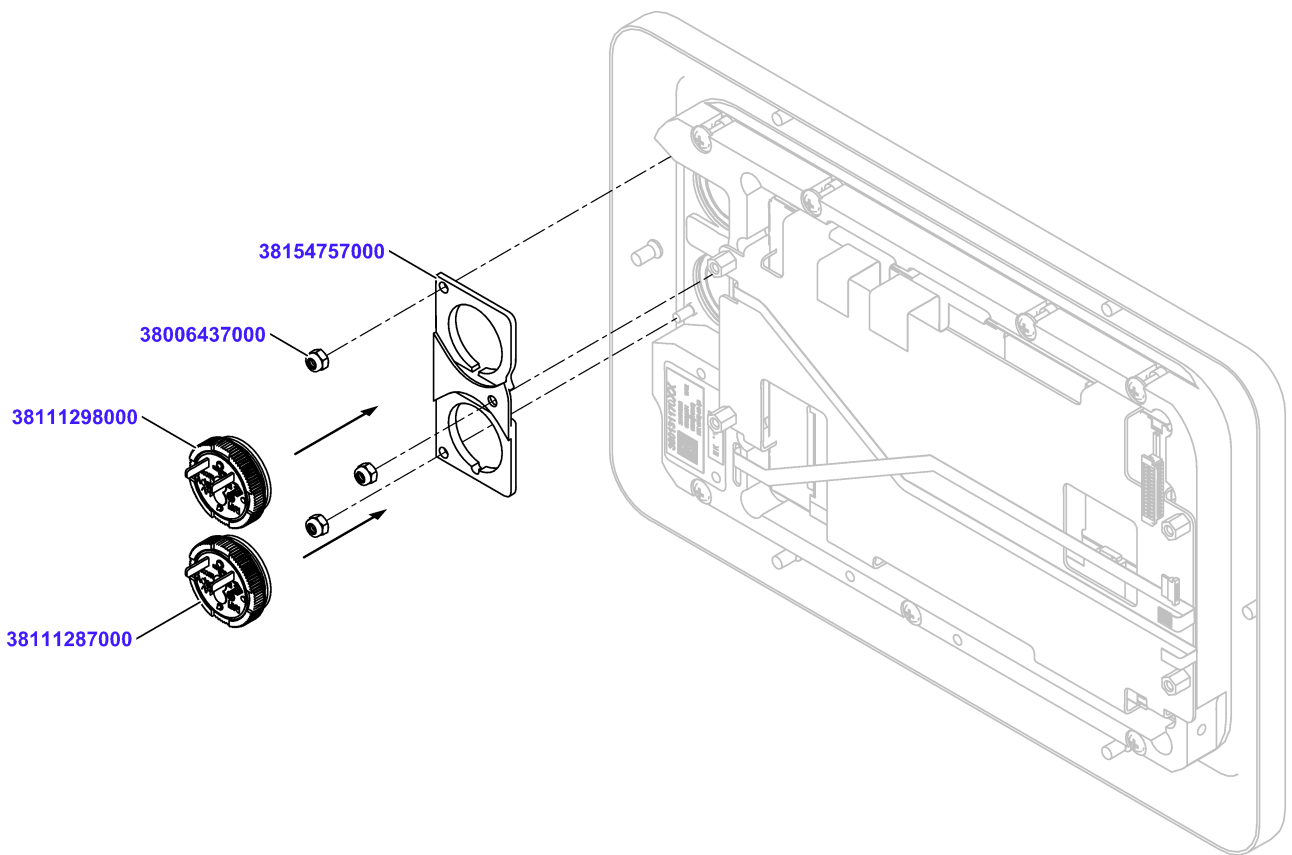
# Terminal Front and CPU VSI



## Terminal Front and CPU VSI





Material No.	Qty	Material description	available for order	Wear part	Recomm. sp. part	Metr. relevance
<a href="#">38013117004</a>	1	Terminal Front preassembled VSI				
<a href="#">60897000160</a>	1	Apalis carrierboard + iMX6 1GB Quad				
<a href="#">38120405000</a>	1	Label Softw. License Win Compact 2013 GE	✓			
<a href="#">38048104000</a>	4	Oval-head screw ISO14583 M3x4-A2-70-T10	✓			
<a href="#">71004310000</a>	1	Cabel Tie T18R	✓			
<a href="#">71169040000</a>	1	Nylon-Clips NK-4N	✓			
<a href="#">56806450000</a>	1	Oval-head screw ISO14583 M4x8-A2-70-T20	✓			

# Terminal Front preassembled VSI

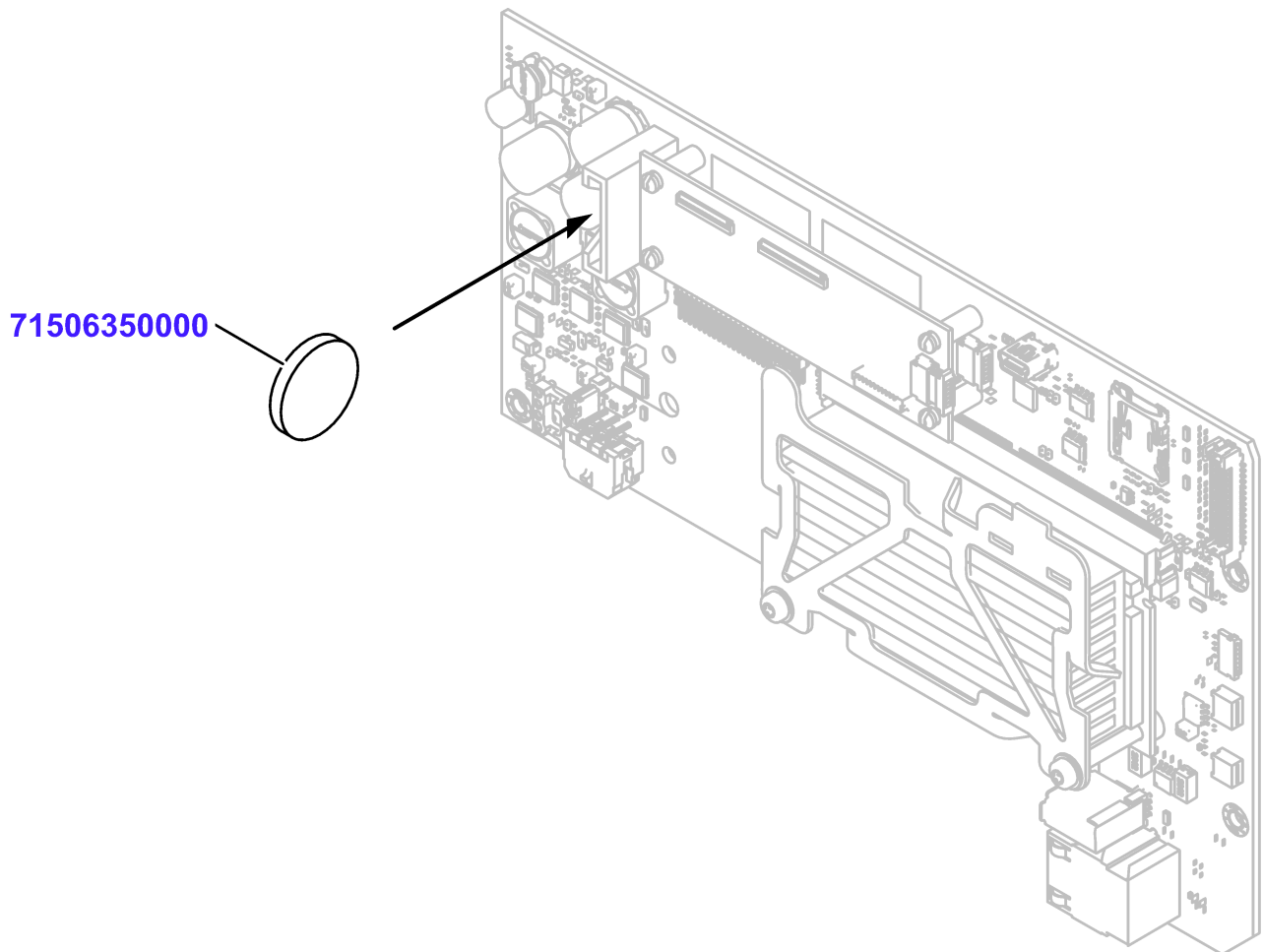


## Terminal Front preassembled VSI

Material No.	Qty	Material description
<a href="#">38111287000</a>	1	Push button "Off"
<a href="#">38111298000</a>	1	Push button "On"
<a href="#">38006437000</a>	3	Lock nut DIN985-M3-A2
<a href="#">38154757000</a>	1	Pad HT 4344-101-00

available for order	Wear part	Recomm. sp. part	Metr. relevance
			
			
			
			

## Apalis carrierboard + iMX6 1GB Quad

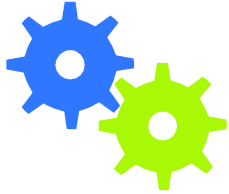


# Apalis carrierboard + iMX6 1GB Quad

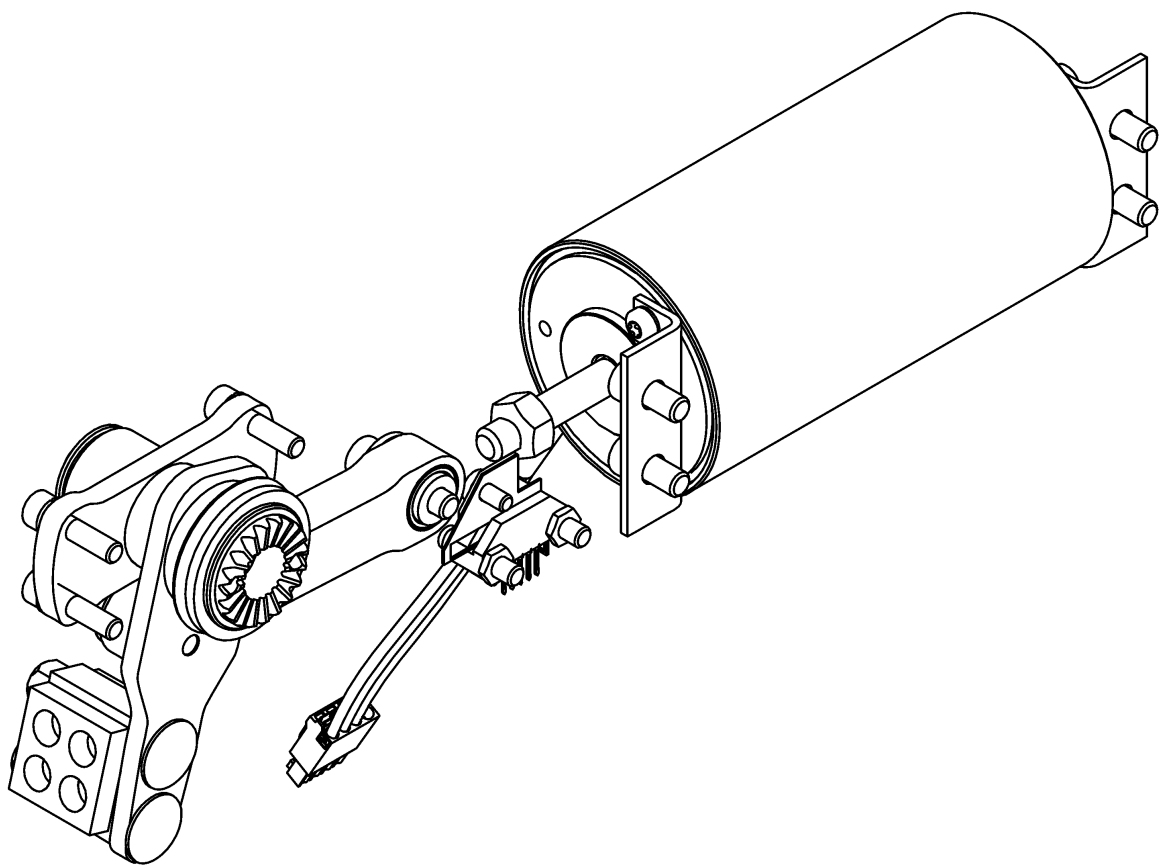
Material No.	Qty	Material description
<a href="#">71506350000</a>	1	Battery Lithium Cell CR2032 UL

available for order	Wear part	Recomm. sp. part	Metr. relevance

## Drive depositing arm



**38064681005**



**as from 11697371**

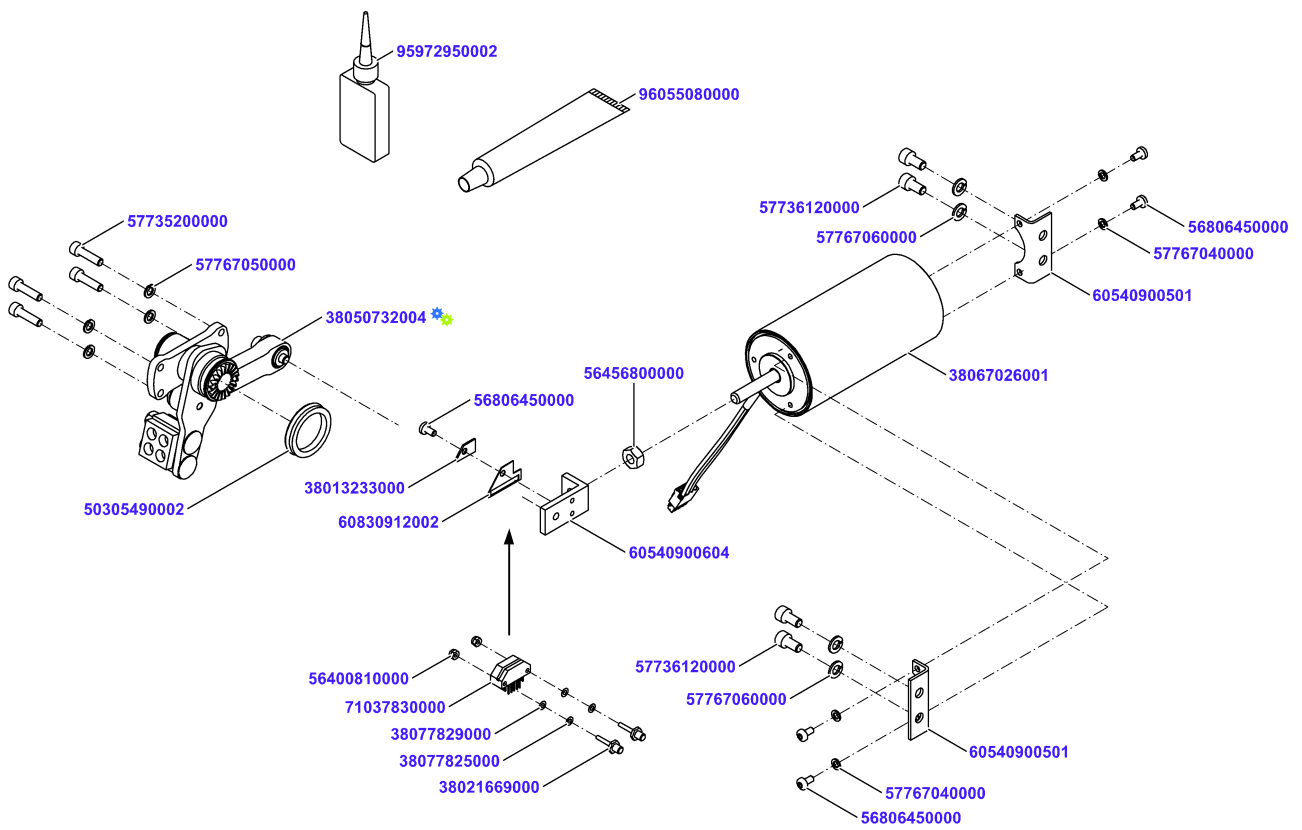
# Drive depositing arm

**Material No.**    **Qty**    **Material description**

[38064681005](#)    1    Depositing Drive cpl

available for order
Wear part
Recomm. sp. part
Metr. relevance

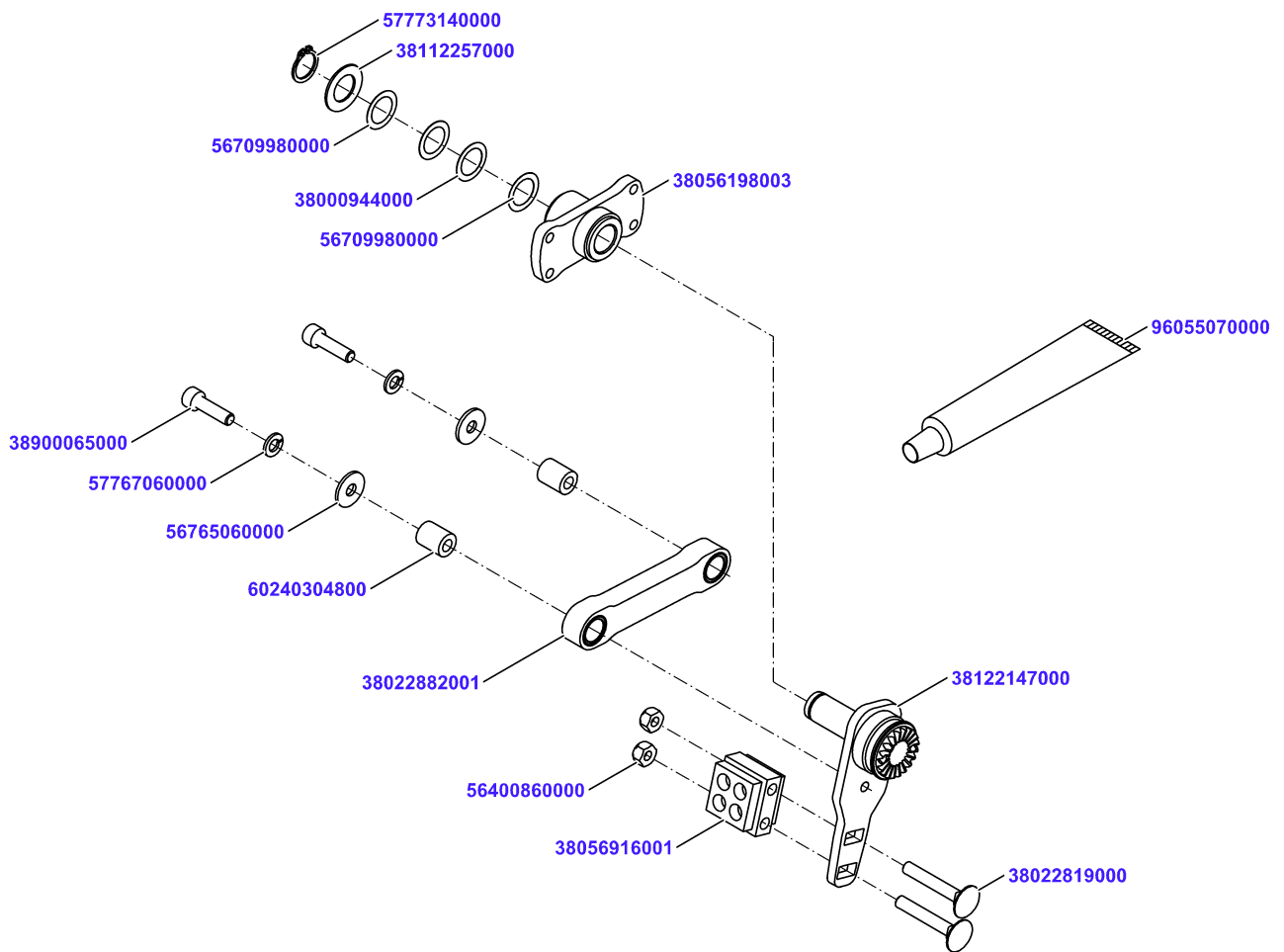
# Depositing Drive cpl



# Depositing Drive cpl

Material No.	Qty	Material description	available for order	Wear part	Recomm. sp. part	Metr. relevance
38067026001	1	Depositing Magnet	✓			
60540900501	2	holding bracket	✓			
56806450000	4	Oval-head screw ISO14583 M4x8-A2-70-T20	✓			
57767040000	4	Spring lock washer DIN128-A4-FSt	✓			
57736120000	4	Cylinder screw DIN912 M6x12-8.8	✓			
57767060000	4	Spring lock washer DIN128-A6-FSt	✓			
56456800000	1	Hexagon nut DIN934-M8-A2	✓			
60540900604	1	Angle	✓			
38050732004	1	Depositing Arm Lever cpl.	✓			
57735200000	4	Cylinder screw DIN912 M5x20-8.8	✓			
57767050000	4	Spring lock washer DIN128-A5-FSt	✓			
71037830000	1	Linear Increment Encoder HEDS 9200-300	✓		✓	
38021669000	2	Threaded flange bolt	✓			
95972950002	0,001	Loctite 243 50 ml	✓			
56400810000	2	Lock nut DIN985-M2,5-St	✓			
38077829000	2	Shim ring DIN988-3x6x0,1	✓			
38077825000	2	Shim ring DIN988-3x6x0,2	✓			
60830912002	1	Codestrip 4x26	✓		✓	
56806450000	1	Oval-head screw ISO14583 M4x8-A2-70-T20	✓			
38013233000	1	Support	✓			
50305490002	1	V-Sealing Ring 25x33x7,5 coated	✓			
96055080000	0,001	Kluebersynth UH1 64-62/25kg	✓			

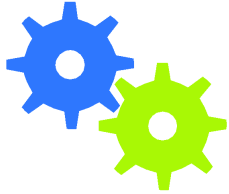
# Depositing Arm Lever cpl.



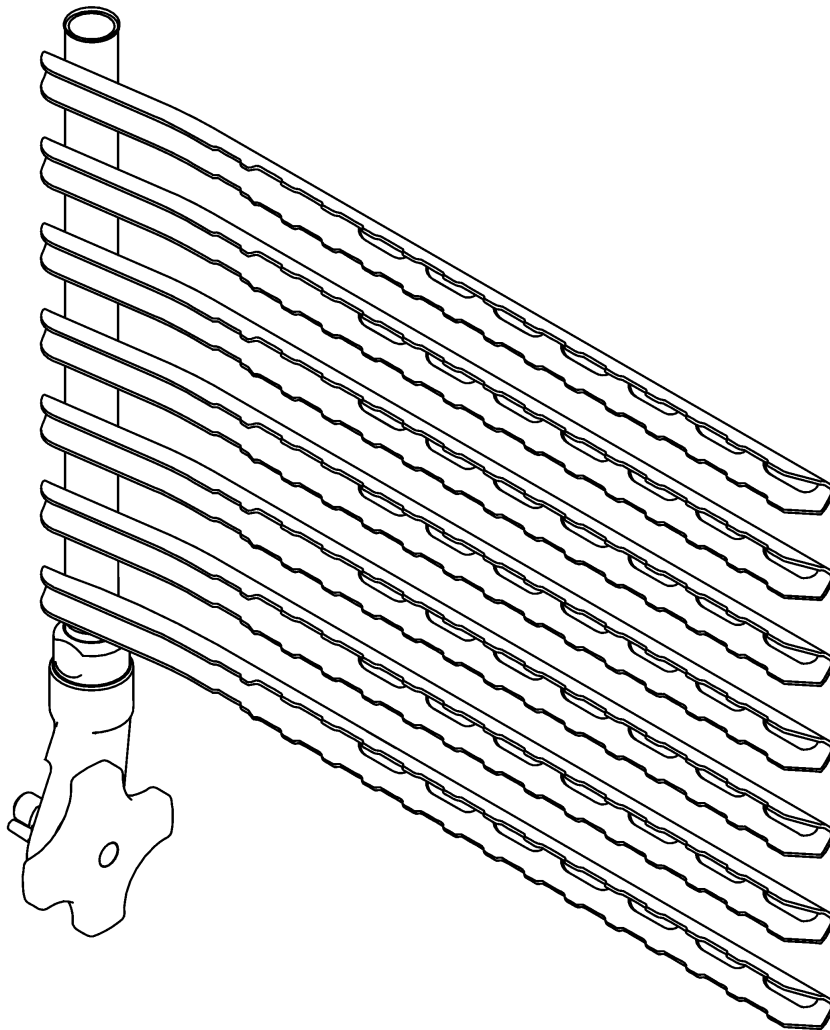
## Depositing Arm Lever cpl.

Material No.	Qty	Material description	available for order	Wear part	Recomm. sp. part	Metr. relevance
<a href="#">38122147000</a>	1	Depositing Arm Lever soldered	✓			
<a href="#">38056198003</a>	1	Bearing Bushing preass	✓	✓	✓	
<a href="#">96055070000</a>	0,001	Grease PARALIQ GA 343	✓			
<a href="#">57773140000</a>	1	Retaining ring DIN471-14x1	✓			
<a href="#">56709980000</a>	2	Shim ring DIN988-14x20x0,1	✓			
<a href="#">38000944000</a>	2	Shim ring DIN988-14x20x0,15	✓			
<a href="#">38112257000</a>	1	Washer 14.15x24x1	✓			
<a href="#">38056916001</a>	1	stop cpl	✓	✓	✓	
<a href="#">38022819000</a>	2	Mushroom head bolt DIN603 M6x40-A2-70	✓			
<a href="#">56400860000</a>	2	Lock nut DIN985-M6-A2	✓			
<a href="#">38022882001</a>	1	Connecting Rod preass	✓	✓	✓	
<a href="#">60240304800</a>	2	Bushing 6,2 x 12f7 x 15	✓	✓	✓	
<a href="#">38900065000</a>	2	Cylinder screw DIN912 M6x22-A2-70	✓			
<a href="#">57767060000</a>	2	Spring lock washer DIN128-A6-FSt	✓			
<a href="#">56765060000</a>	2	Washer DIN9021-6-A2	✓			

## Depositing arm




**38056697005**



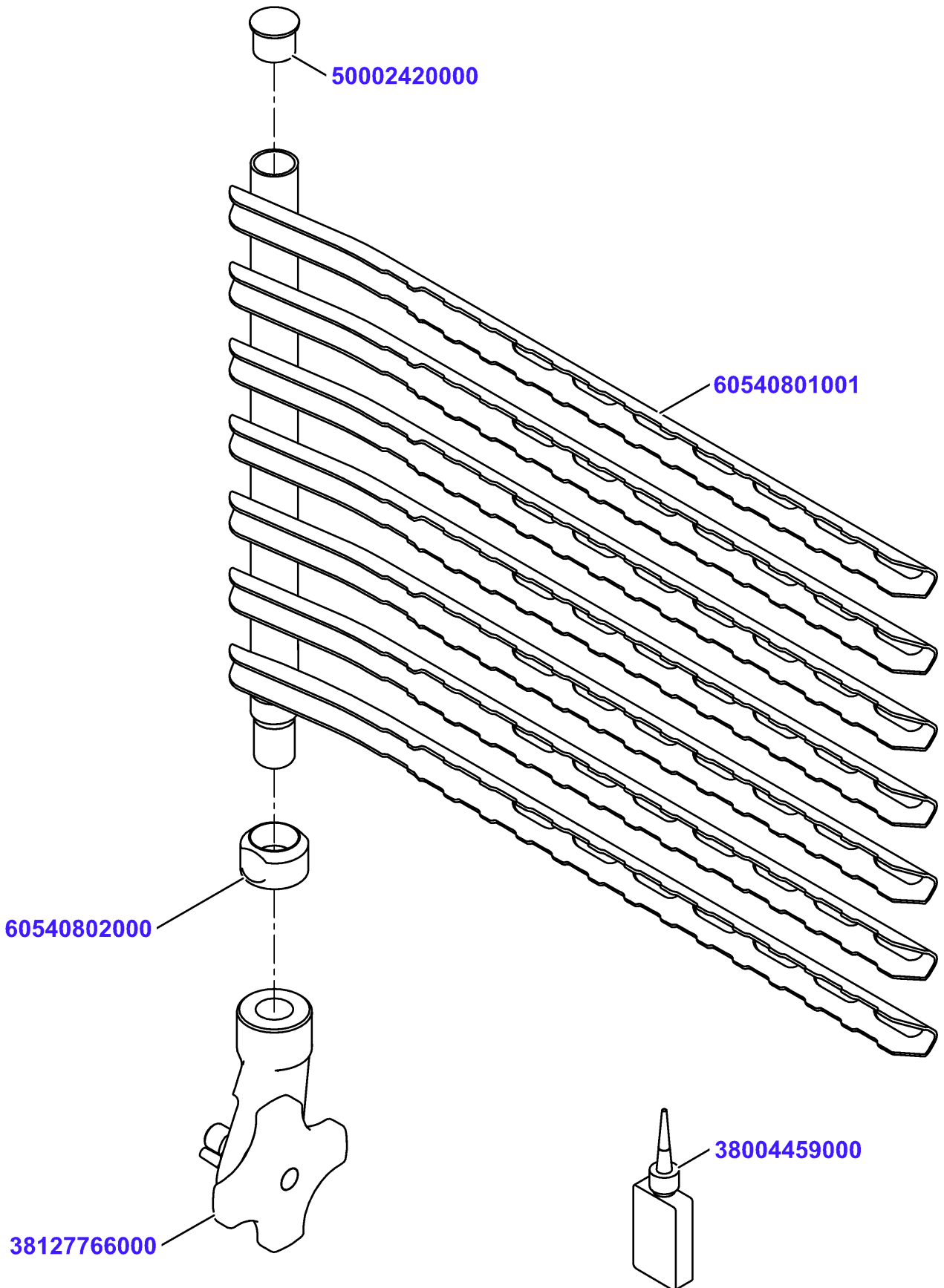
**as from 11697371**

# Depositing arm






Material No.	Qty	Material description
<a href="#">38056697005</a>	1	Depositing arm cpl

	available for order	Wear part	Recomm. sp. part	Metr. relevance
---	---------------------	-----------	------------------	-----------------

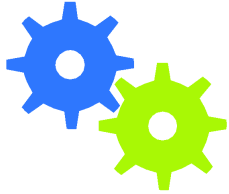
# Depositing arm cpl



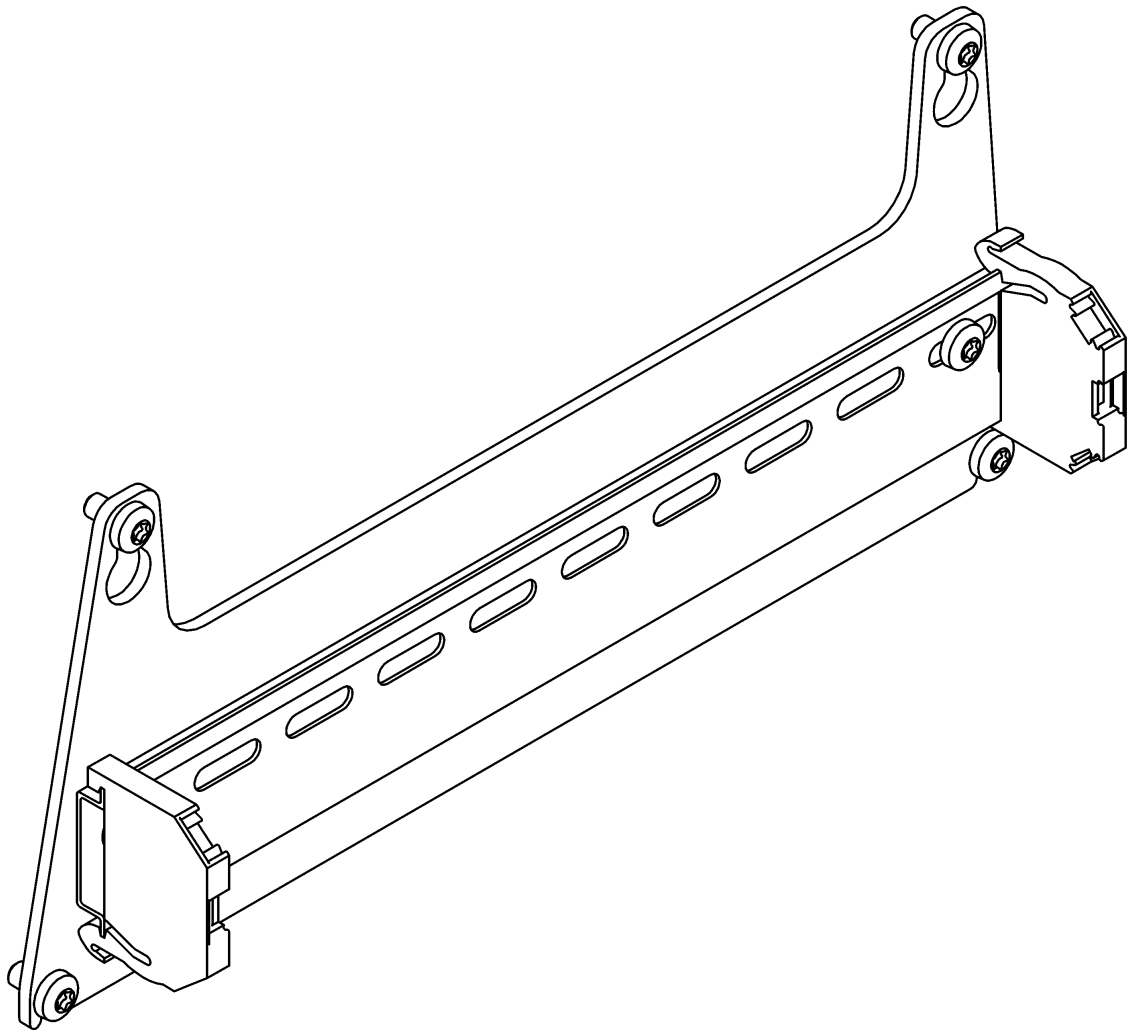
# Depositing arm cpl

Material No.	Qty	Material description	available for order	Wear part	Recomm. sp. part	Metr. relevance
<a href="#">38127766000</a>	1	Depositing Angle cpl.				
<a href="#">60540801001</a>	1	depositing arm standard welded				
<a href="#">50002420000</a>	1	Protective plug 14,5x12,4x9,5-PE				
<a href="#">60540802000</a>	1	locknut				
<a href="#">38004459000</a>	0,001	Loctite 648				

# Elektronics



**38008889001**



# Elektronics

**Material No.**    **Qty**    **Material description**

[38008889001](#)    1    Mounting Plate cpl

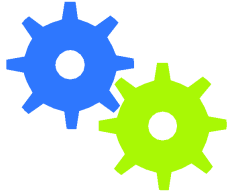
available for order

Wear part

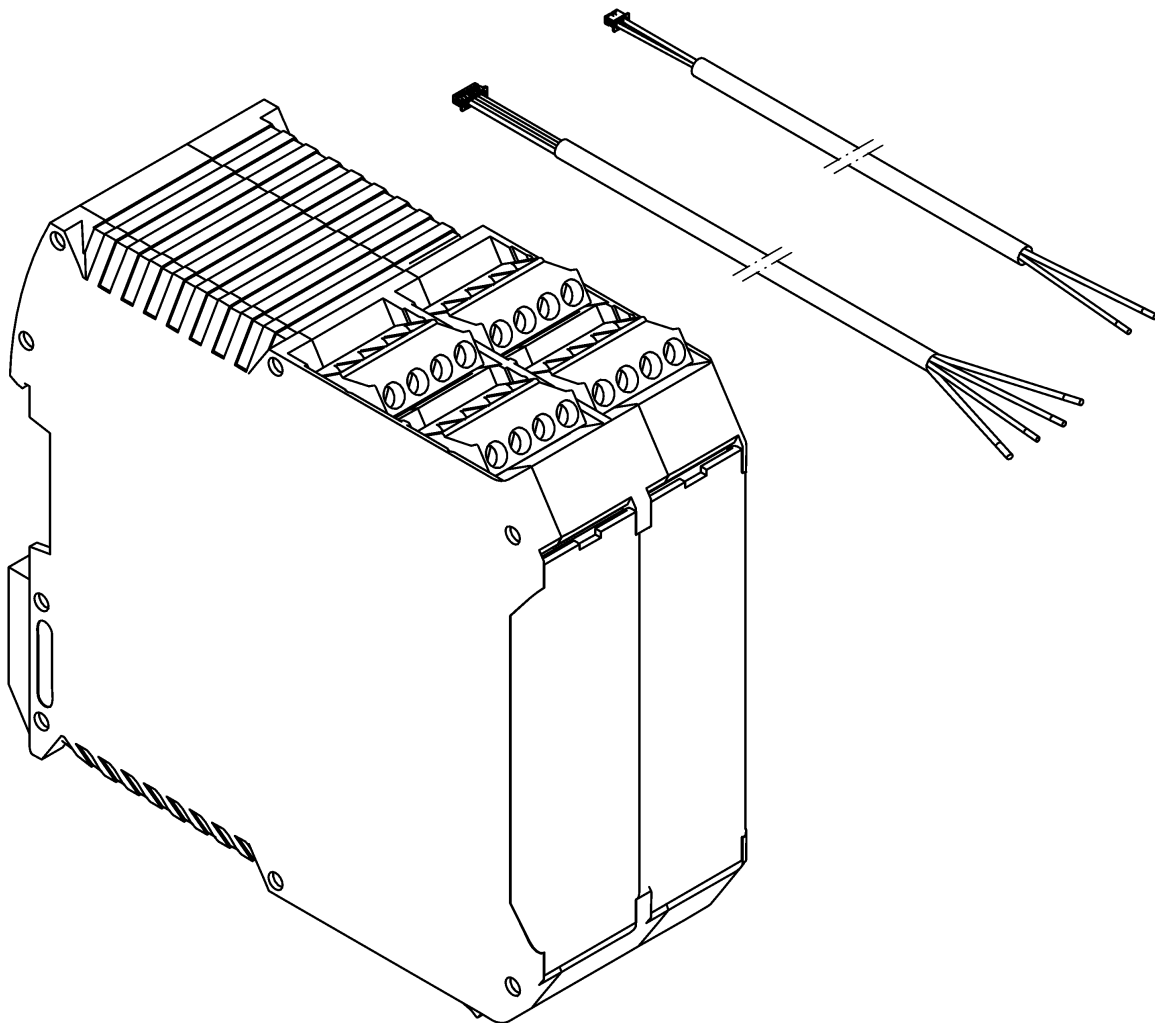
Recomm. sp. part

Metr. relevance

# Elektronics



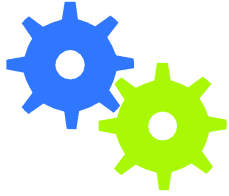
## 38023910001



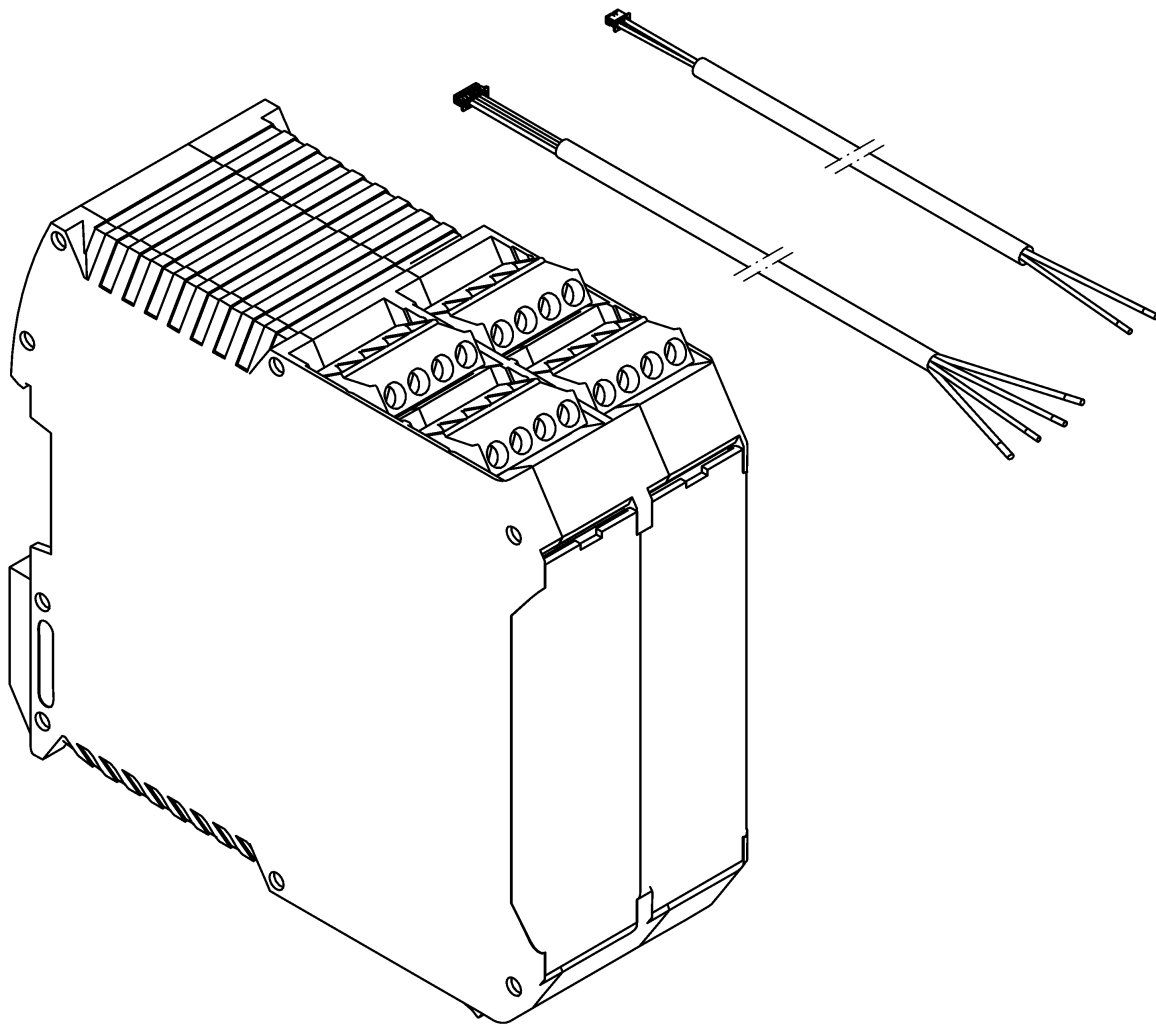
# Elektronics

Material No.	Qty	Material description	available for order	Wear part	Recomm. sp. part	Metr. relevance
<a href="#">38023910001</a>	1	Option Scale Terminal bottom cpl				

# Elektronics



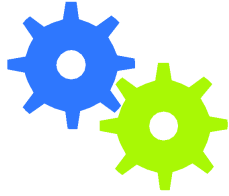
# 38023910002



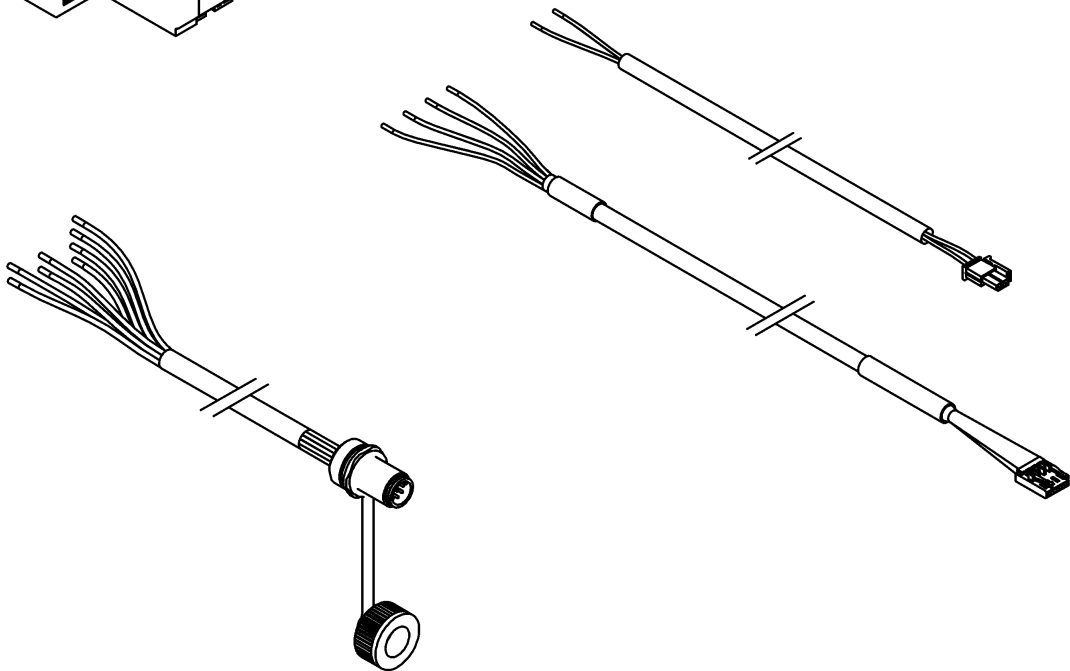
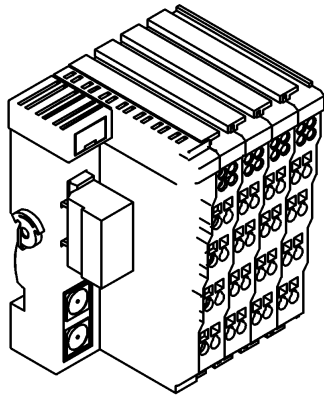
# Elektronics

Material No.	Qty	Material description	available for order	Wear part	Recomm. sp. part	Metr. relevance
<a href="#">38023910002</a>	1	Option Scale Terminal bottom cpl				

# Elektronics



**38079967000**



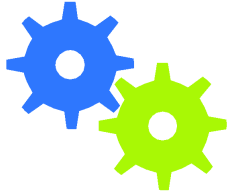
# Elektronics

**Material No.**    **Qty**    **Material description**

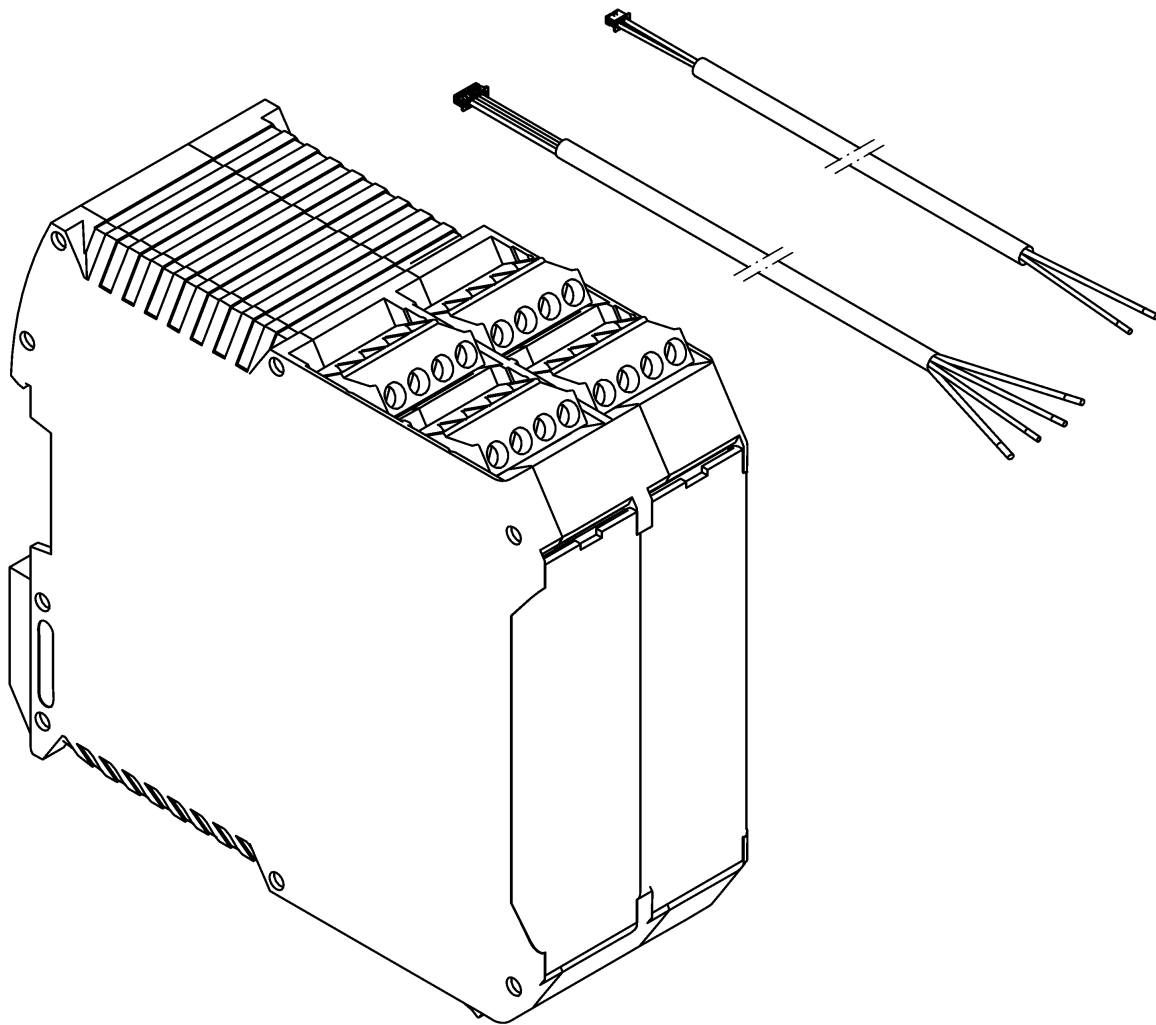
[38079967000](#)    1    Option I/O-Module

available for order
Wear part
Recomm. sp. part
Metr. relevance

# Elektronics



**38084720001**



# Elektronics

Material No.	Qty	Material description
<a href="#">38084720001</a>	1	Option Scale Terminal top cpl

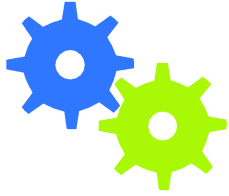
available for order

Wear part

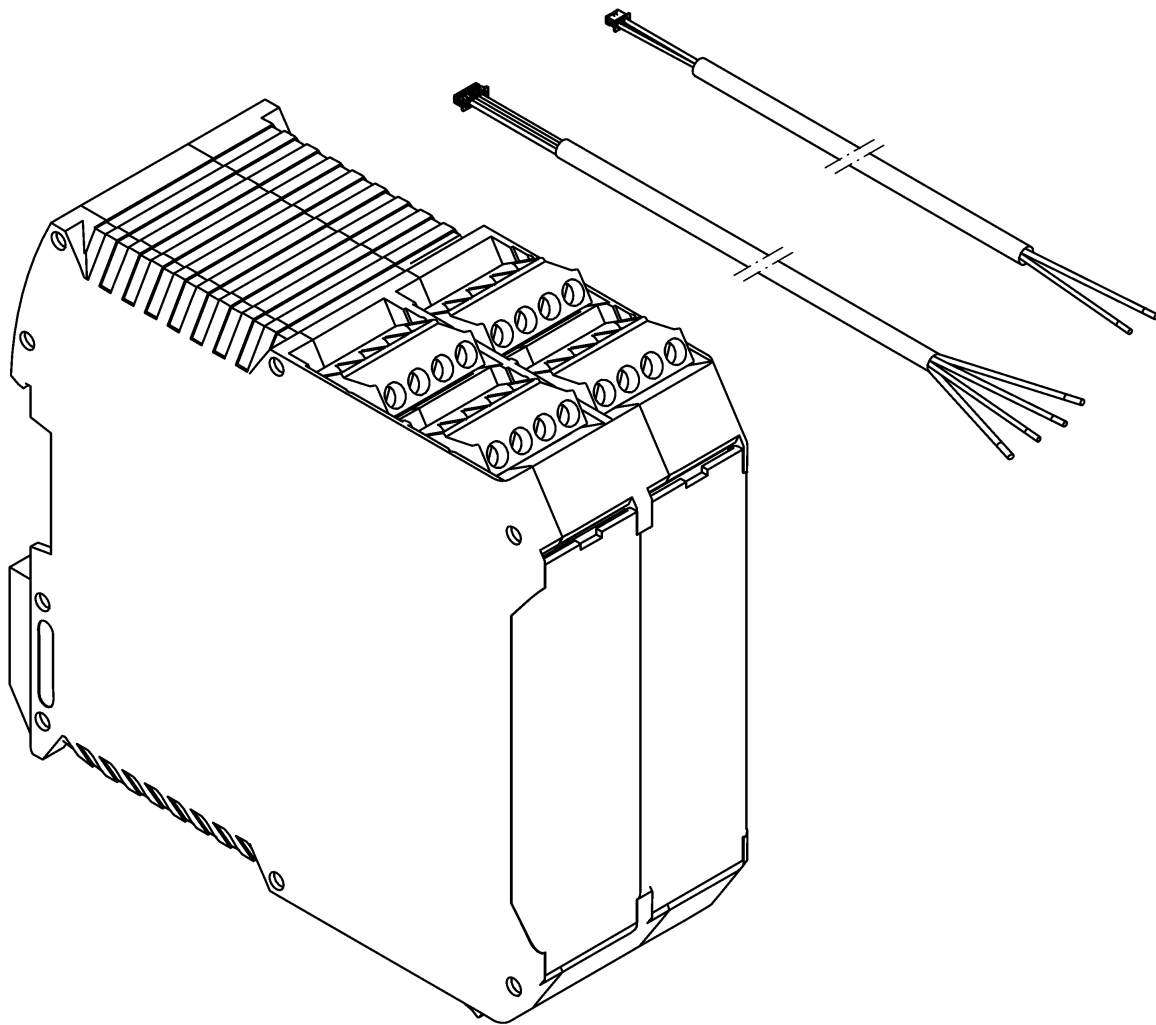
Recomm. sp. part

Metr. relevance

# Elektronics



# 38084720002



# Elektronics

Material No.	Qty	Material description
<a href="#">38084720002</a>	1	Option Scale Terminal top cpl

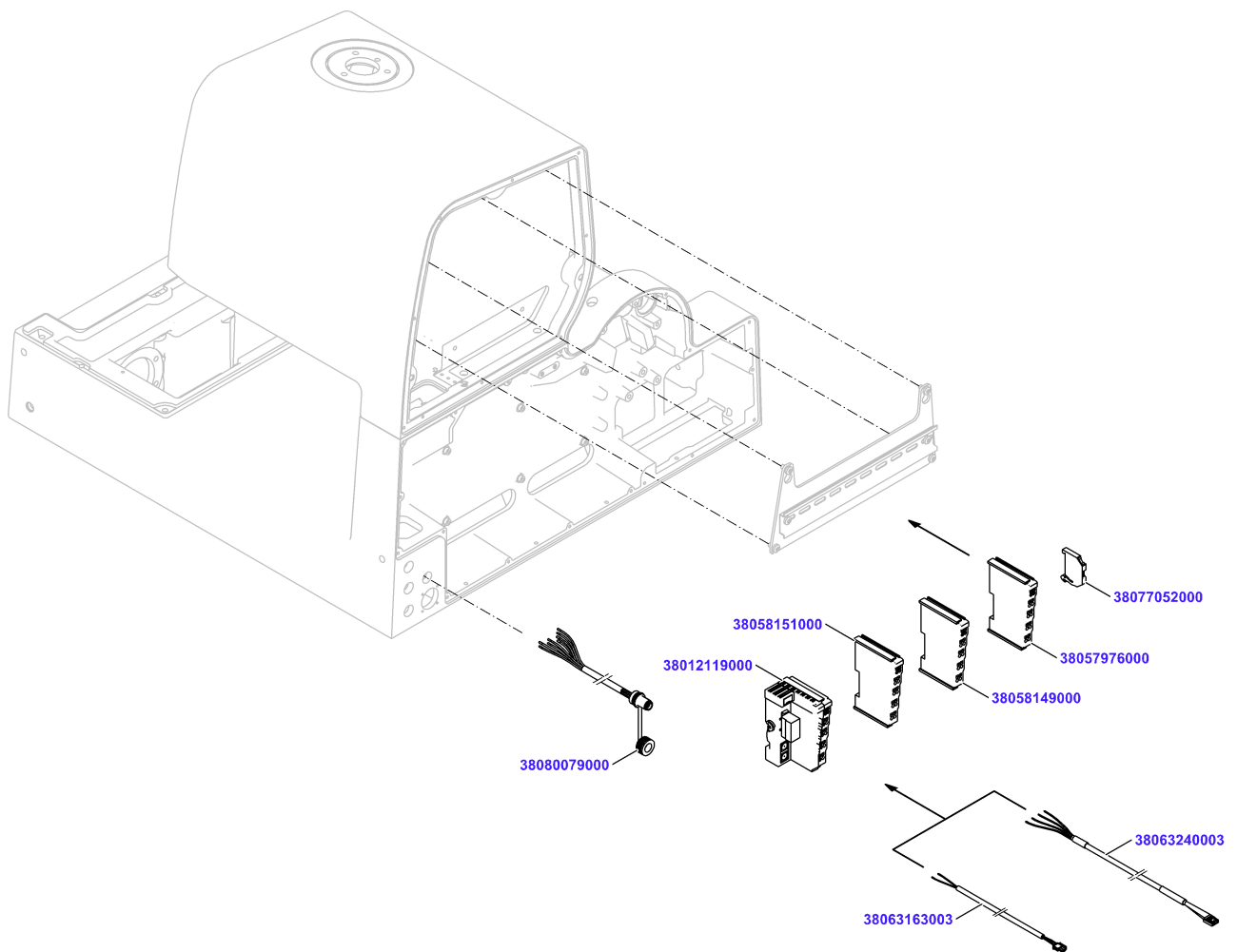
available for order

Wear part

Recomm. sp. part

Metr. relevance

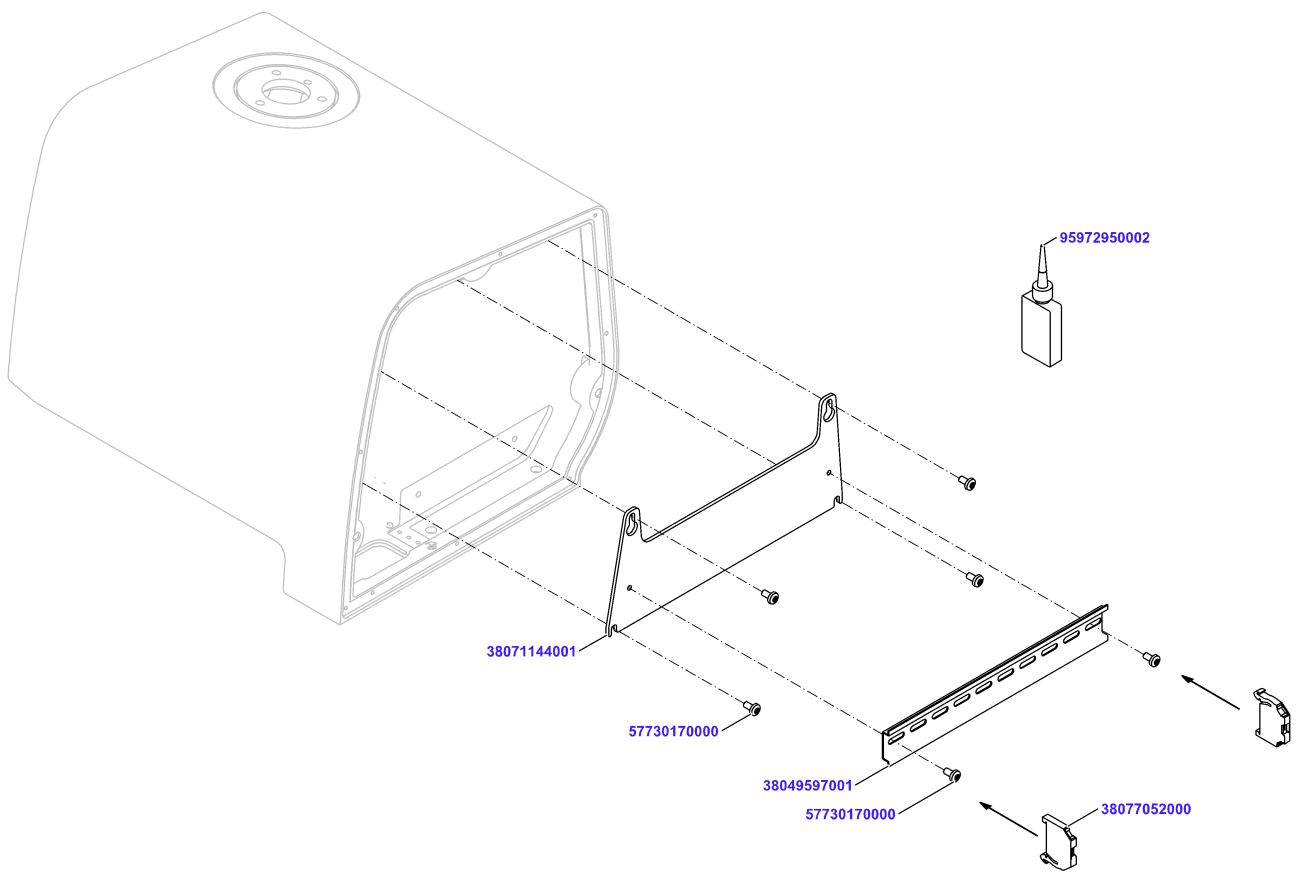
# Option I/O-Module



## Option I/O-Module

Material No.	Qty	Material description	available for order	Wear part	Recomm. sp. part	Metr. relevance
<a href="#">38012119000</a>	1	CANopen-Compact-Bus-Coupler BK5150	✓		✓	
<a href="#">38058151000</a>	1	2-Channel Digital Input Terminals 24VDC	✓		✓	
<a href="#">38058149000</a>	1	2-Channel Digital Output Terminal 24VDC	✓		✓	
<a href="#">38057976000</a>	1	K-Bus Termination Fitting KL9010	✓		✓	
<a href="#">38077052000</a>	1	Screwless End Clamp	✓			
<a href="#">38063240003</a>	1	Ka Rd 2x2x24AWG 0,15m	✓			
<a href="#">38063163003</a>	1	Ka Rd 4x0,14 1,30m	✓			
<a href="#">38080079000</a>	1	I/O M12 Connector	✓			

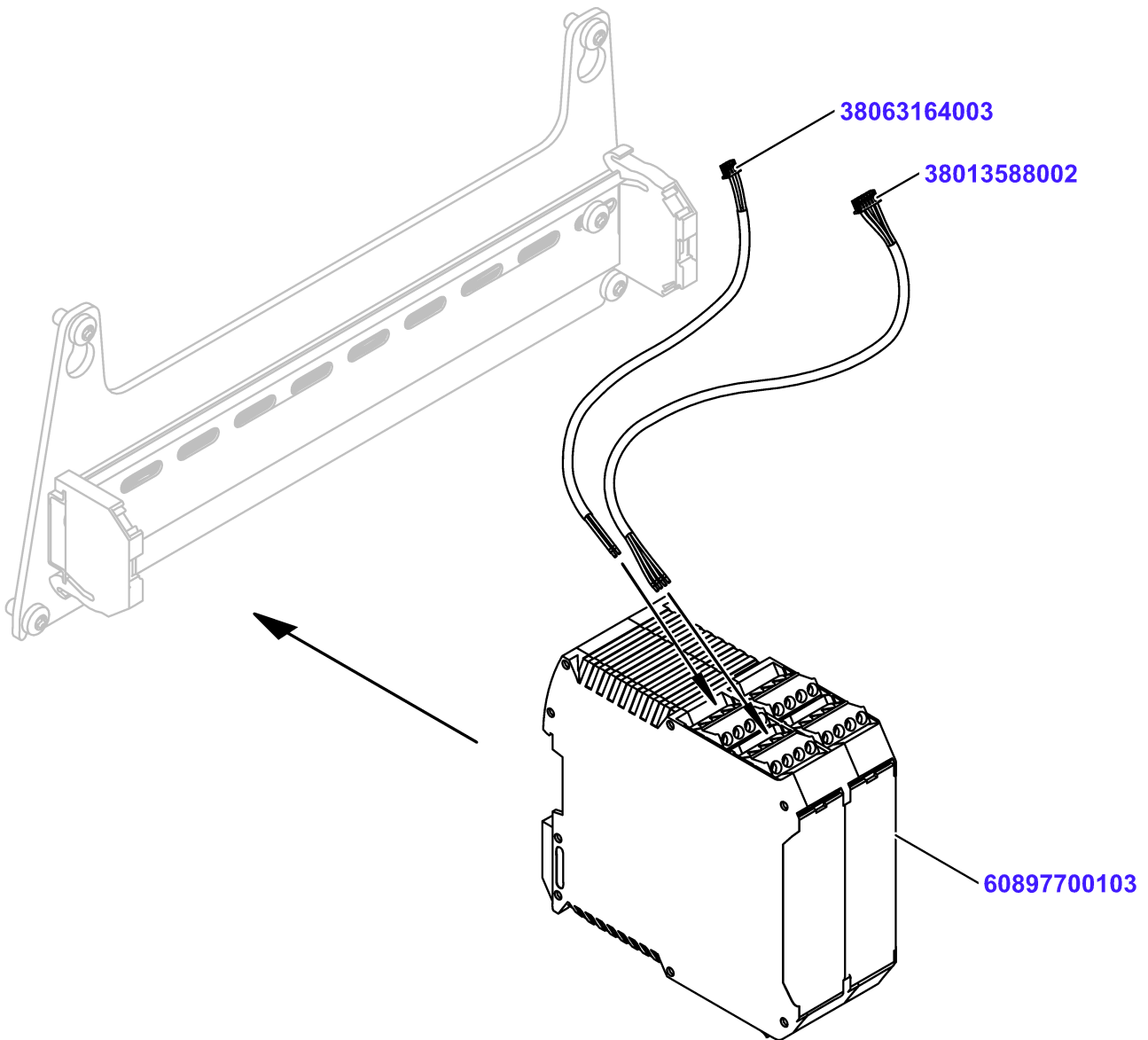
# Mounting Plate cpl



# Mounting Plate cpl

Material No.	Qty	Material description	available for order	Wear part	Recomm. sp. part	Metr. relevance
<a href="#">38071144001</a>	1	Mounting Plate				
<a href="#">38049597001</a>	1	Top Hat Rail L250				
<a href="#">57730170000</a>	2	Oval-head screw ISO14583 M5x10-A2-70-T25				
<a href="#">95972950002</a>	0,001	Loctite 243 50 ml				
<a href="#">38077052000</a>	2	Screwless End Clamp				
<a href="#">57730170000</a>	4	Oval-head screw ISO14583 M5x10-A2-70-T25				

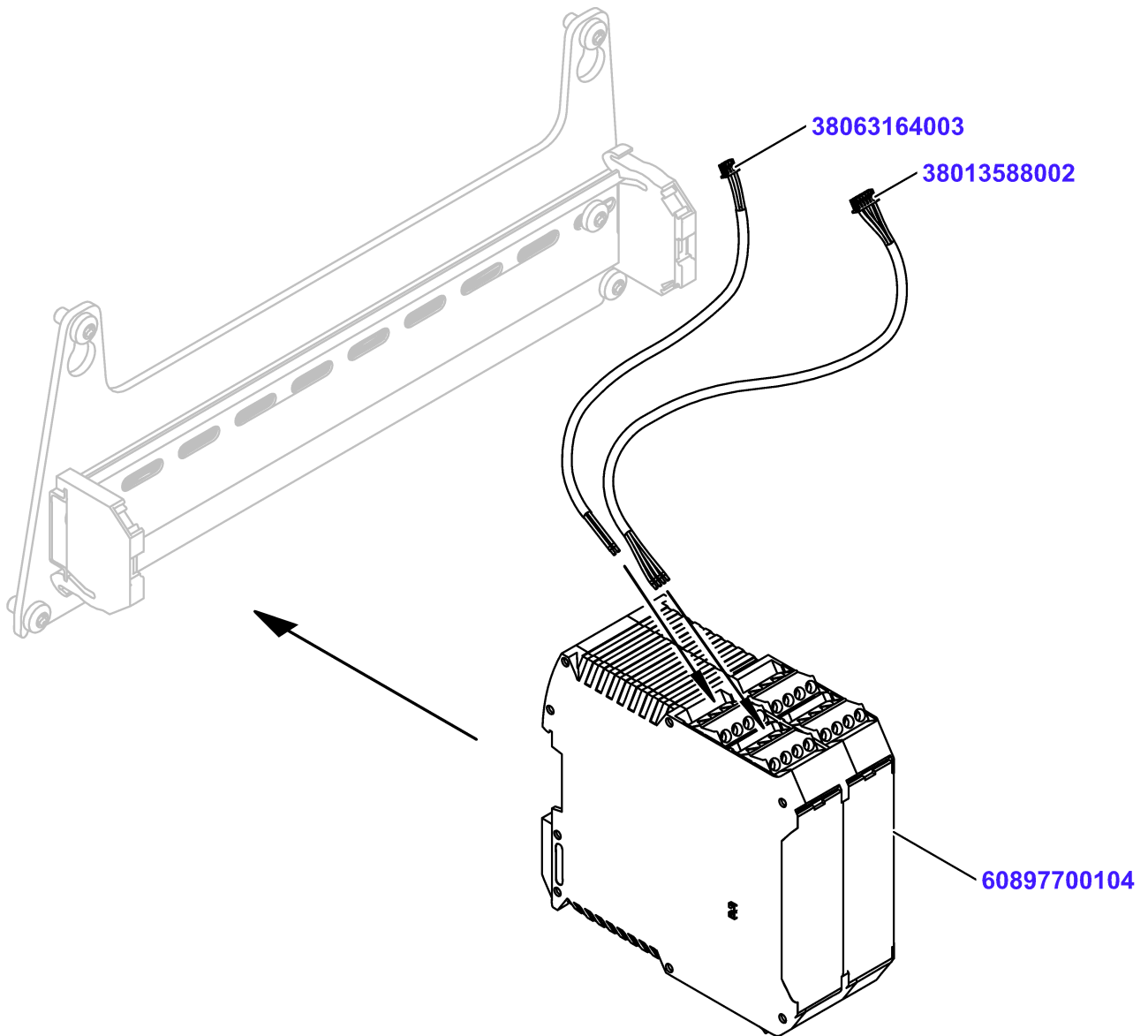
# Option Scale Terminal bottom cpl



# Option Scale Terminal bottom cpl

Material No.	Qty	Material description	available for order	Wear part	Recomm. sp. part	Metr. relevance
<a href="#">60897700103</a>	1	Weighing module Food	✓			
<a href="#">38063164003</a>	1	Ka Rd 4x0,14 1,15m	✓			
<a href="#">38013588002</a>	1	Ka Rd 4x0,14qmm 1,65m	✓			

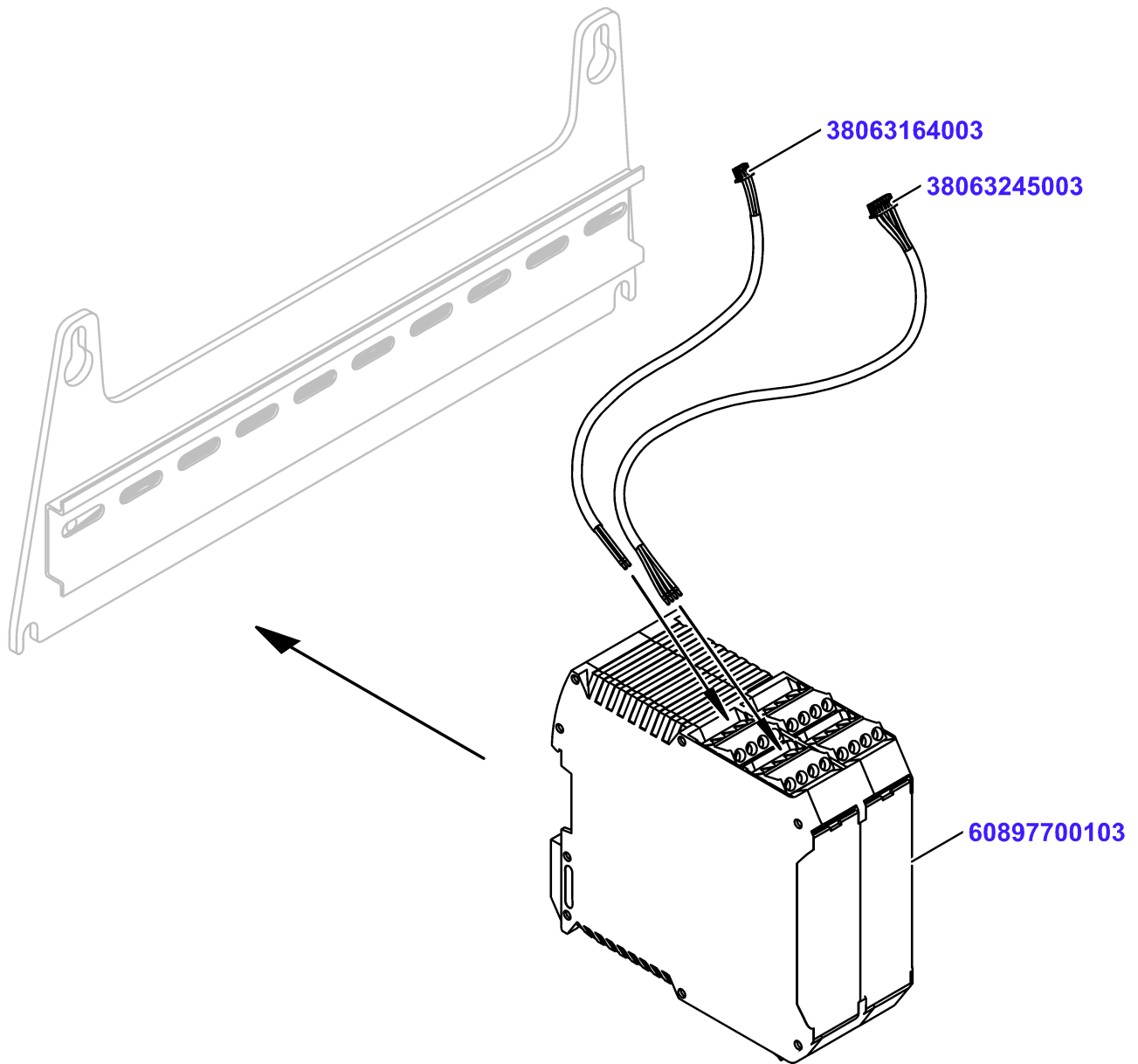
# Option Scale Terminal bottom cpl



## Option Scale Terminal bottom cpl

Material No.	Qty	Material description	available for order	Wear part	Recomm. sp. part	Metr. relevance
<a href="#">60897700104</a>	1	Weighing module Food				
<a href="#">38063164003</a>	1	Ka Rd 4x0,14 1,15m				
<a href="#">38013588002</a>	1	Ka Rd 4x0,14qmm 1,65m				

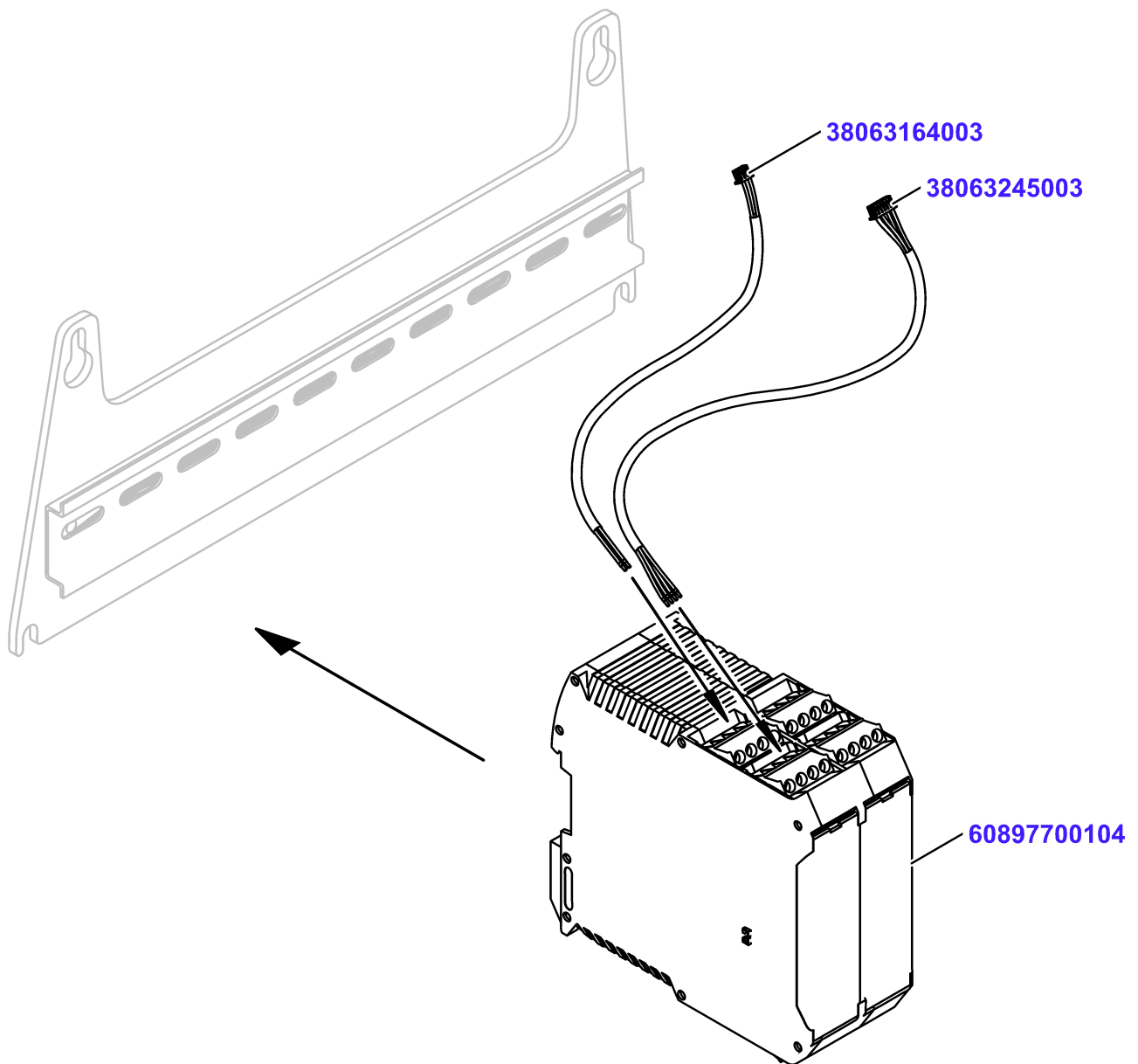
# Option Scale Terminal top cpl



# Option Scale Terminal top cpl

Material No.	Qty	Material description	available for order	Wear part	Recomm. sp. part	Metr. relevance
<a href="#">60897700103</a>	1	Weighing module Food	✓			
<a href="#">38063164003</a>	1	Ka Rd 4x0,14 1,15m	✓			
<a href="#">38063245003</a>	1	Ka Rd 4x0,14qmm 0,70m	✓			

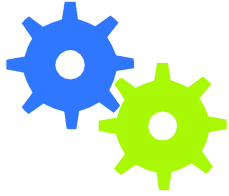
## Option Scale Terminal top cpl



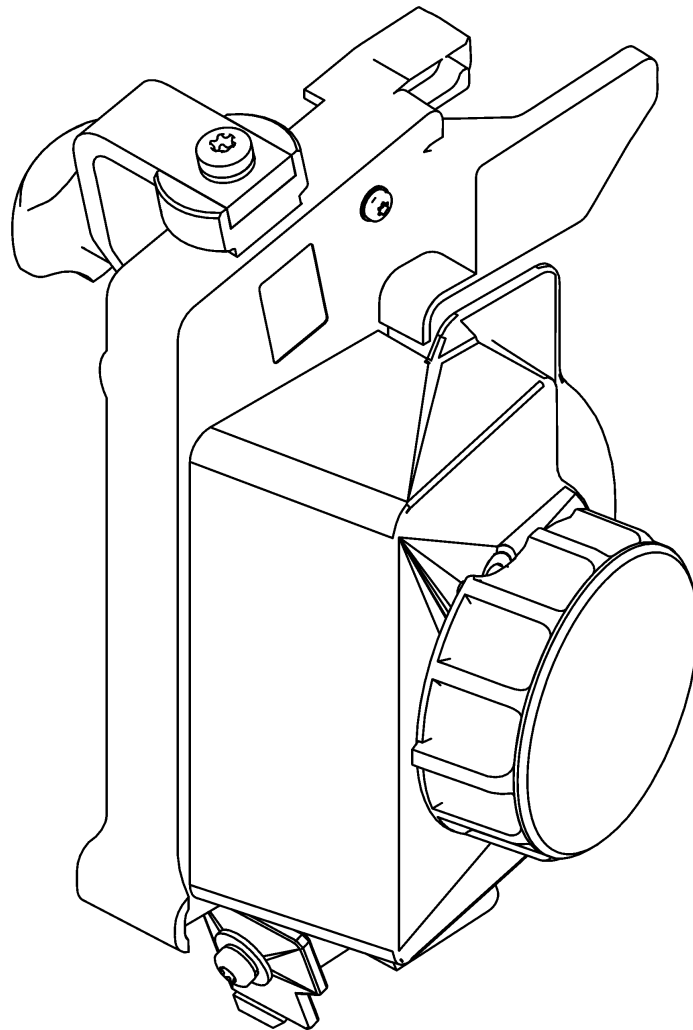
# Option Scale Terminal top cpl

Material No.	Qty	Material description	available for order	Wear part	Recomm. sp. part	Metr. relevance
<a href="#">60897700104</a>	1	Weighing module Food				
<a href="#">38063164003</a>	1	Ka Rd 4x0,14 1,15m				
<a href="#">38063245003</a>	1	Ka Rd 4x0,14qmm 0,70m				

## grinding device



**38132268000**

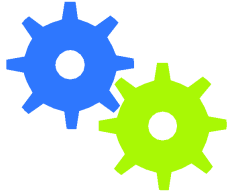


# grinding device

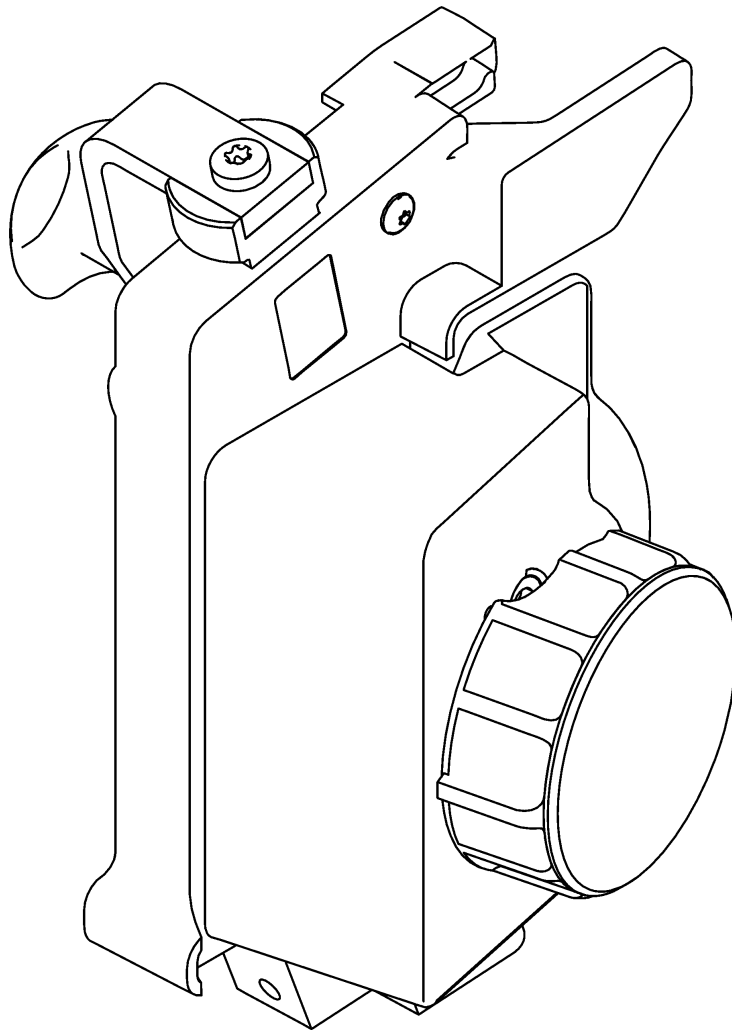
Material No.	Qty	Material description
<a href="#">38132268000</a>	1	Grinder VSI F 330 cpl.

available for order	Wear part	Recomm. sp. part	Metr. relevance

## grinding device



**38132268001**



# grinding device

Material No.	Qty	Material description
<a href="#">38132268001</a>	1	Grinder VSI 330 cpl.

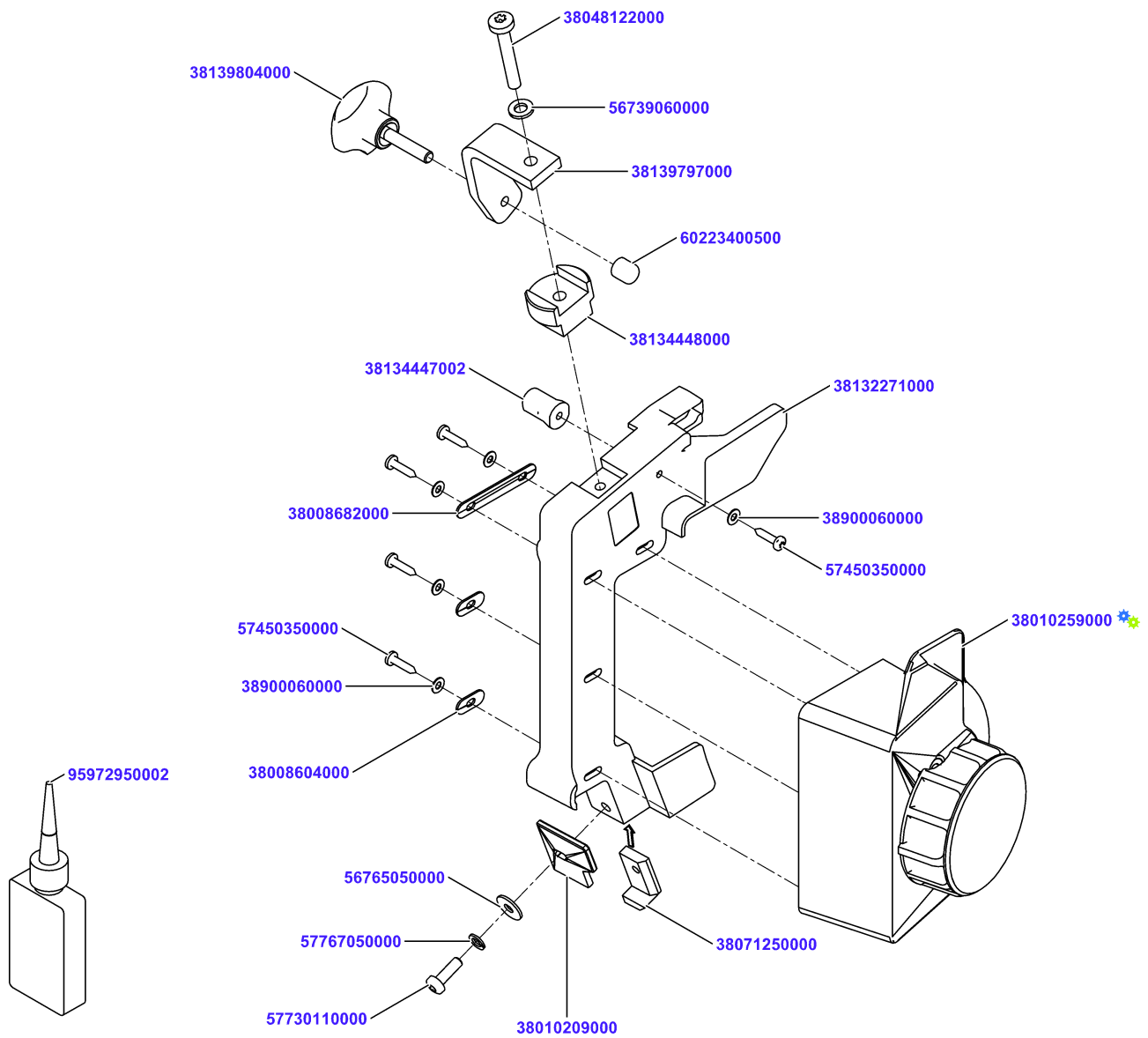
available for order

Wear part






















Recomm. sp. part

Metr. relevance

# Grinder VSI F 330 cpl.



## Grinder VSI F 330 cpl.

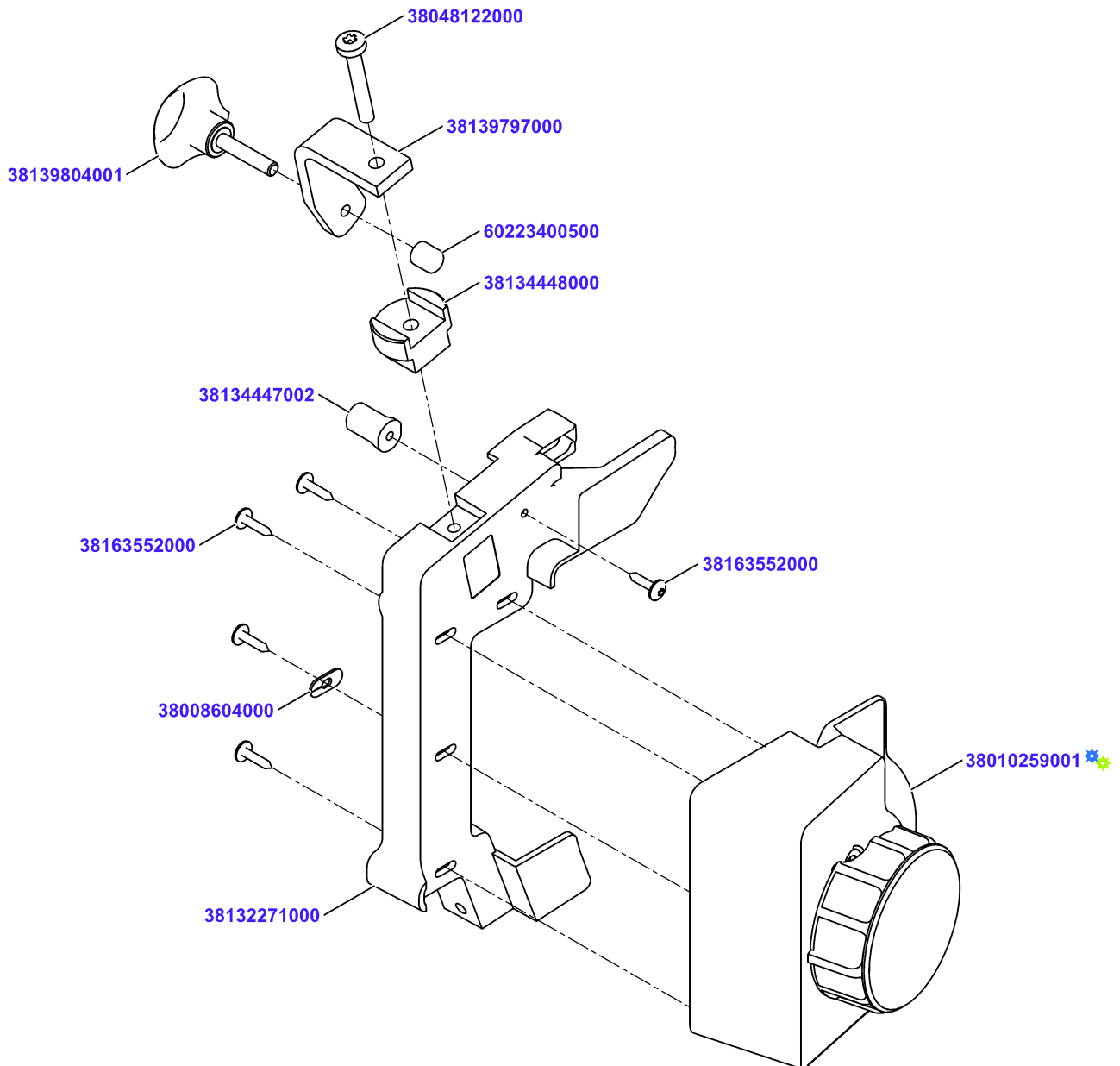
Material No.	Qty	Material description	available for order	Wear part	Recomm. sp. part	Metr. relevance
<a href="#">38010259000</a>	1	UVV Sharpener preass. GSP				
<a href="#">38132271000</a>	1	Adapter Grinder VSI 330				
<a href="#">38134447002</a>	1	Adapter fixing				
<a href="#">57450350000</a>	1	Self-tap screw ISO7049-C3,5x16 A2-50-T15				
<a href="#">38900060000</a>	1	Washer DIN125-A-3,5-A2				
<a href="#">38008604000</a>	2	Cover disc 18x8				
<a href="#">38008682000</a>	1	cover disc long				
<a href="#">57450350000</a>	4	Self-tap screw ISO7049-C3,5x16 A2-50-T15				
<a href="#">38900060000</a>	4	Washer DIN125-A-3,5-A2				
<a href="#">38139797000</a>	1	Clamp piece				
<a href="#">38134448000</a>	1	Adapter clamping				
<a href="#">38048122000</a>	1	Oval-head screw ISO14583 M6x40-A2-70-T30				
<a href="#">56739060000</a>	1	Washer DIN125-A-6-A2				
<a href="#">95972950002</a>	0,001	Loctite 243 50 ml				
<a href="#">38139804000</a>	1	Steel star handle, cpl.				
<a href="#">60223400500</a>	1	Cap M6x10				
<a href="#">38010209000</a>	1	Stop - Verwendung entfallen				
<a href="#">38071250000</a>	1	Nut				
<a href="#">57730110000</a>	1	Oval-head screw ISO14583 M5x16-A2-70-T25				
<a href="#">56765050000</a>	1	Washer DIN9021-5-A2				
<a href="#">57767050000</a>	1	Spring lock washer DIN128-A5-FSt				













# UVV Sharpener preass. GSP

Material No.	Qty	Material description	available for order	Wear part	Recomm. sp. part	Metr. relevance
38010548000	1	Housing	✓			
60220600500	1	Shaft 12x58	✓			
38010980000	1	pressure spring	✓			
56755650000	1	Washer DIN433-6-A2	✓			
57753400000	1	Retaining washer DIN6799-4	✓			
38009954000	1	bearing bolt	✓			
38009906000	1	handwheel	✓			
38900056000	1	Oval-head screw DIN7985 M6x30-A2-70	✓			
56739060000	1	Washer DIN125-A-6-A2	✓			
60220602600	1	Spacer sleeve 10x6,1x5,5	✓			
60220600700	1	Shaft 12x54,5	✓			
38010995001	1	pressure spring	✓			
60270202801	1	Washer	✓			
40220601100	1	Locking washer 11x5,4x1,5	✓			
57753400000	1	Retaining washer DIN6799-4	✓			
38010816000	2	Flat spring 29,5x10x0,6	✓			
60220600900	1	Cover 71x5.5	✓			
38132485000	2	Washer 6,3x12x0,5	✓			
60223401001	1	Sharpening disc	✓	✓		
60223401101	1	Honing Disc	✓	✓		
38010304000	2	Washer	✓			
56739060000	2	Washer DIN125-A-6-A2	✓			
38012558000	2	Hexagon nut DIN439-M6-A2	✓			
96055070000	0,001	Grease PARALIQ GA 343	✓			

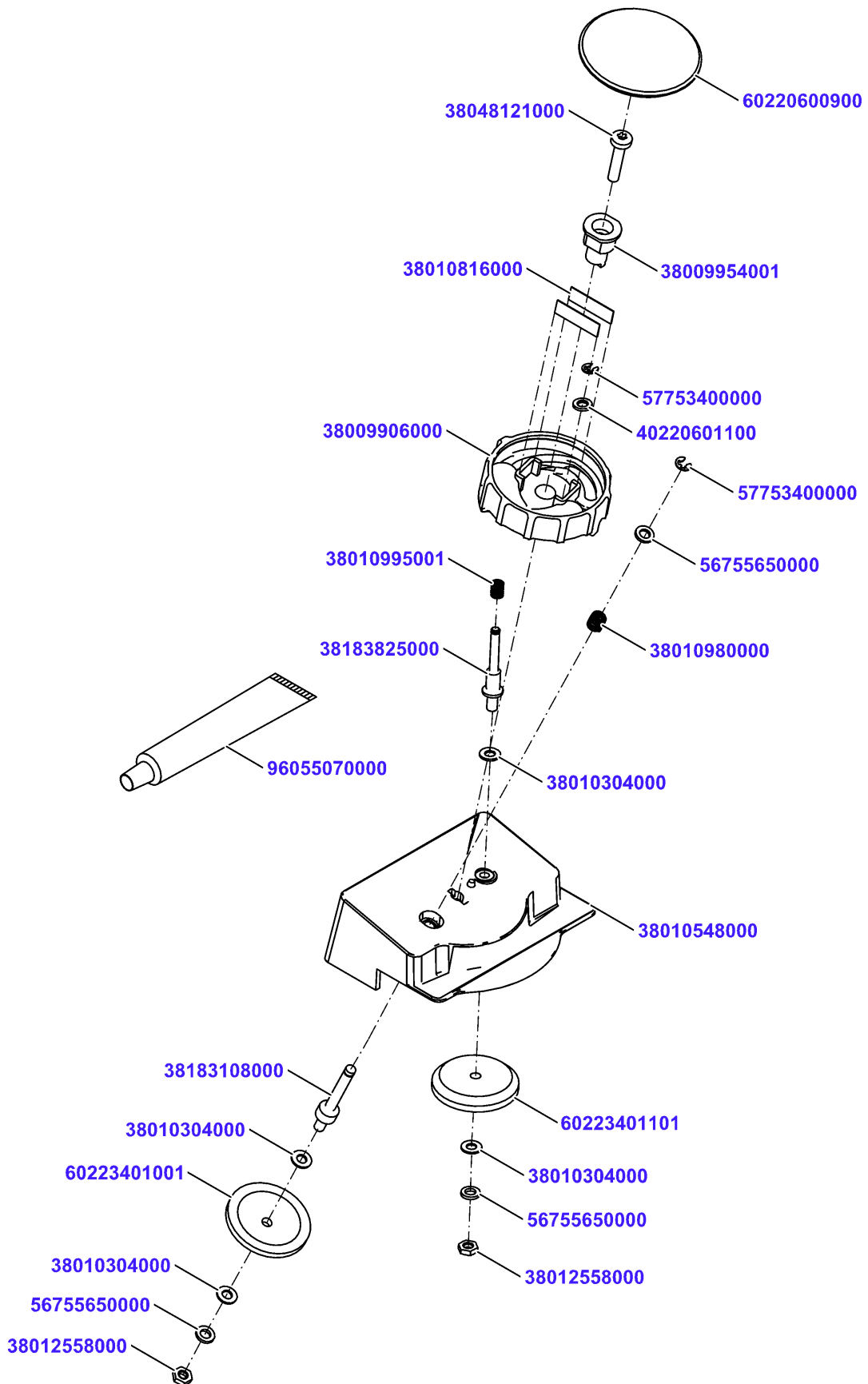
# Grinder VSI 330 cpl.



## Grinder VSI 330 cpl.

Material No.	Qty	Material description	available for order	Wear part	Recomm. sp. part	Metr. relevance
<a href="#">38010259001</a>	1	Sharpener preassembled UVV VSP/GSP/VSI				
<a href="#">38132271000</a>	1	Adapter Grinder VSI 330				
<a href="#">38134447002</a>	1	Adapter fixing				
<a href="#">38008604000</a>	1	Cover disc 18x8				
<a href="#">38163552000</a>	5	Screw simil. DIN 968 A2 C3,5 x 16 TX15				
<a href="#">38139797000</a>	1	Clamp piece				
<a href="#">38134448000</a>	1	Adapter clamping				
<a href="#">38048122000</a>	1	Oval-head screw ISO14583 M6x40-A2-70-T30				
<a href="#">38139804001</a>	1	Star knob GN 5342 M6 E				
<a href="#">60223400500</a>	1	Cap M6x10				

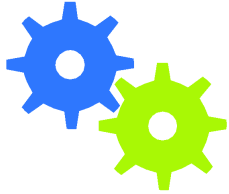
# Sharpener preassembled UVV VSP/GSP/VS1



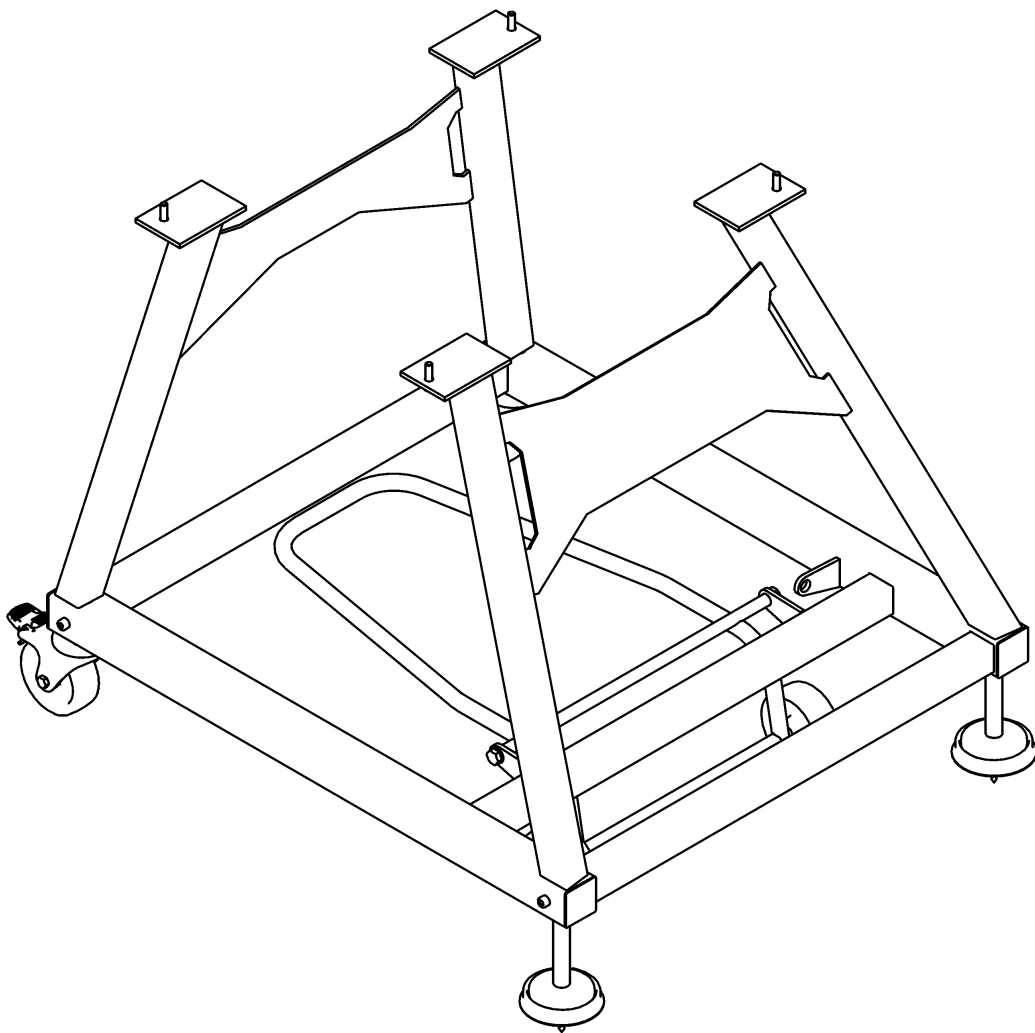
## Sharpener preassembled UVV VSP/GSP/VSI

Material No.	Qty	Material description	available for order	Wear part	Recomm. sp. part	Metr. relevance
38010548000	1	Housing	✓			
38183108000	1	Shaft 12x59,5	✓			
38010980000	1	pressure spring	✓			
56755650000	1	Washer DIN433-6-A2	✓			
38009954001	1	Bearing bolt KU - 22x27,7	✓			
38009906000	1	handwheel	✓			
38048121000	1	Oval-head screw ISO14583 M6x30-A2-70-T30	✓			
38183825000	1	Shaft 12x56	✓			
38010995001	1	pressure spring	✓			
40220601100	1	Locking washer 11x5,4x1,5	✓			
57753400000	2	Retaining washer DIN6799-4	✓			
38010816000	2	Flat spring 29,5x10x0,6	✓			
60220600900	1	Cover 71x5.5	✓			
38010304000	2	Washer	✓			
60223401001	1	Sharpening disc	✓	✓		
60223401101	1	Honing Disc	✓	✓		
38010304000	2	Washer	✓			
56755650000	2	Washer DIN433-6-A2	✓			
38012558000	2	Hexagon nut DIN439-M6-A2	✓			
96055070000	0,005	Grease PARALIQ GA 343	✓			

# Bench



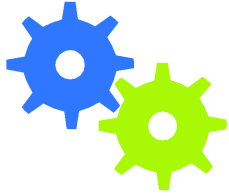
**38003999001**



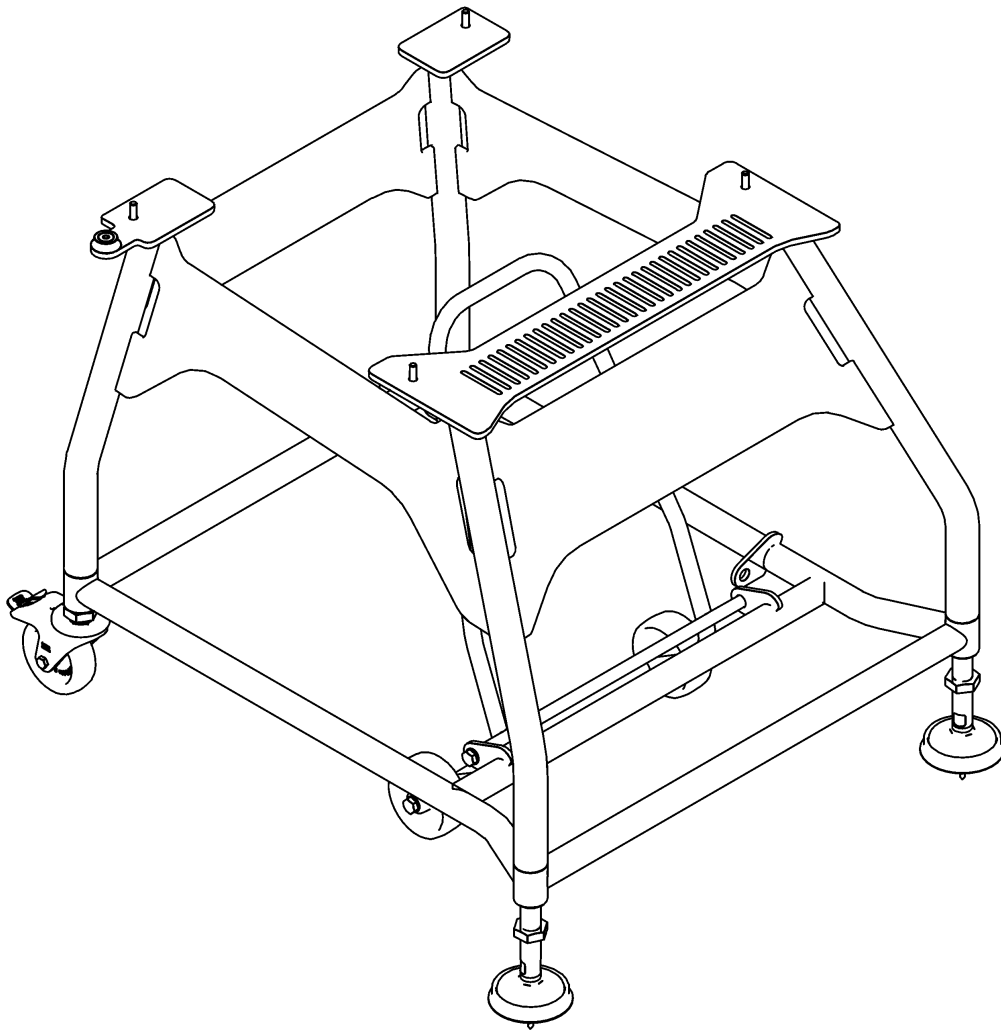
# Bench

Material No.	Qty	Material description	available for order	Wear part	Recomm. sp. part	Metr. relevance
38003999001	1	Stand mobile VSI cpl				

# Bench



**38082643004**



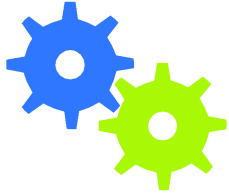
# Bench

available for order
Wear part
Recomm. sp. part
Metr. relevance

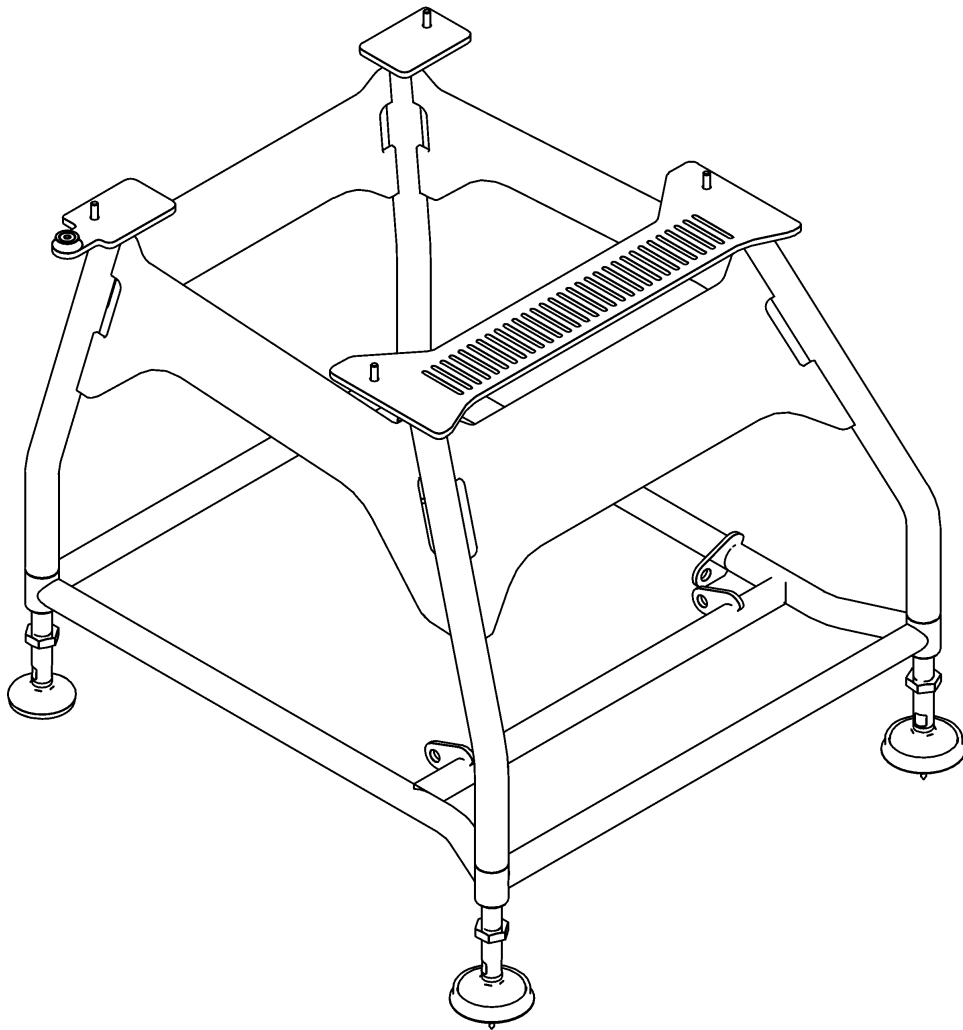
Material No.	Qty	Material description
--------------	-----	----------------------

<a href="#">38082643004</a>	1	Stand mobile cpl
-----------------------------	---	------------------

# Bench



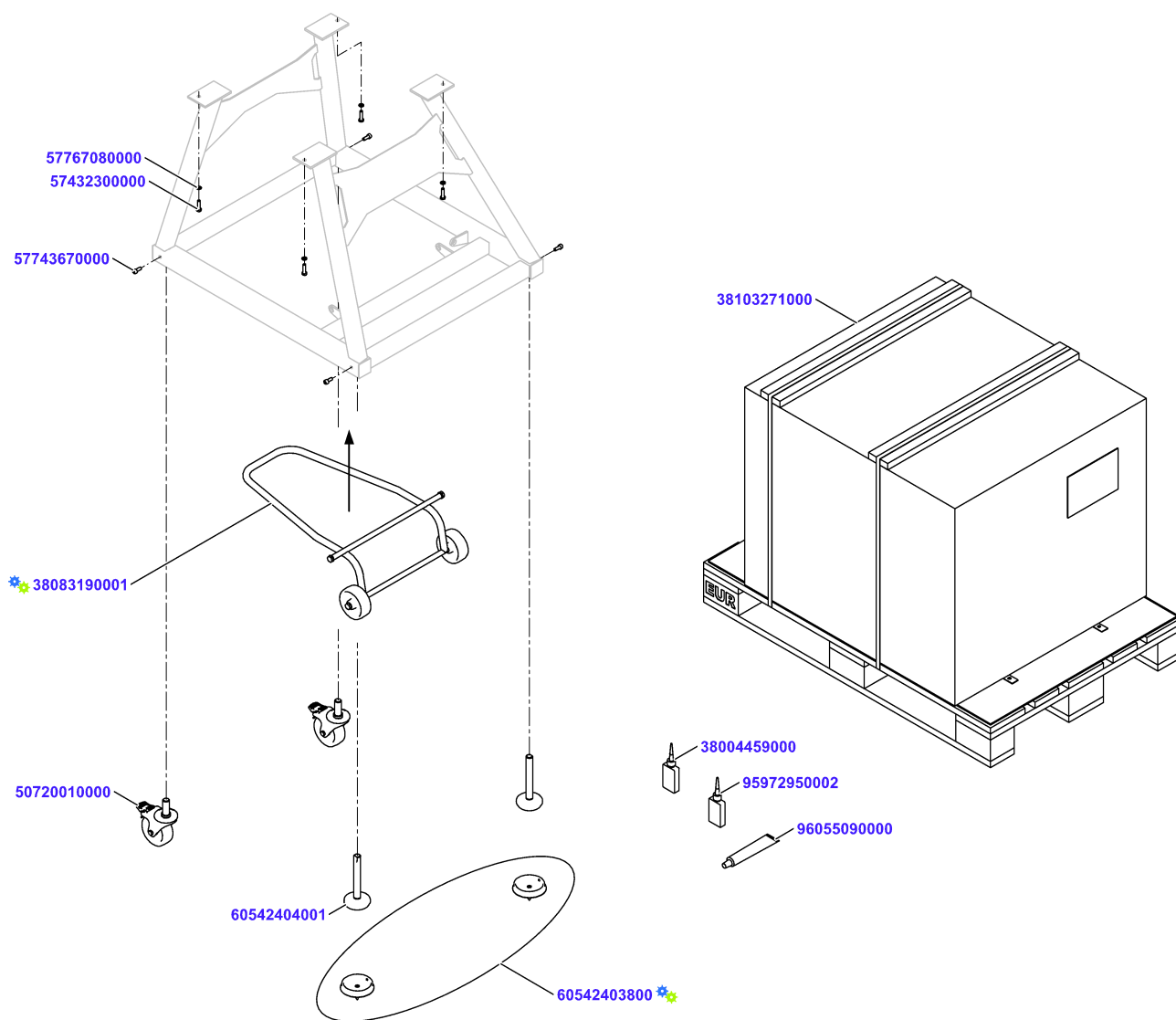
**38083207002**



# Bench

Material No.	Qty	Material description	available for order	Wear part	Recomm. sp. part	Metr. relevance
38083207002	1	Stand stationary cpl				

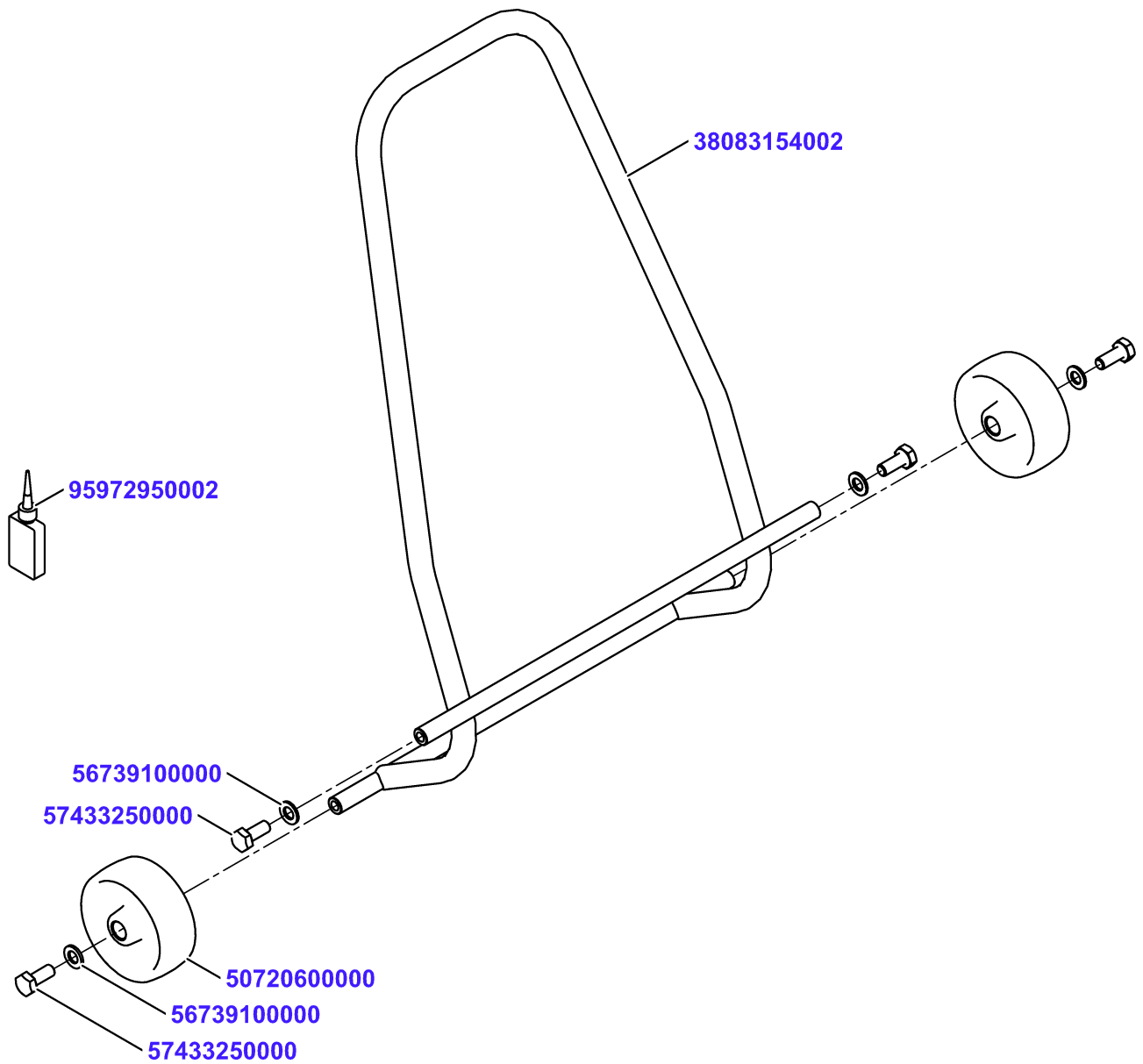
# Stand mobile VSI cpl










## Stand mobile VSI cpl

Material No.	Qty	Material description	available for order	Wear part	Recomm. sp. part	Metr. relevance
<a href="#">60542404001</a>	2	Supporting Foot 173 x 20	✓			
<a href="#">57743670000</a>	4	Cylinder screw DIN912 M8x20-A2-70	✓			
<a href="#">50720010000</a>	2	Castor With Pivot LEXZ-POT H 100 G-FI-WE	✓			
<a href="#">38083190001</a>	1	Lever cpl.	✓			
<a href="#">57432300000</a>	4	Hexagon screw DIN933 M8x30 A2-70	✓			
<a href="#">96055090000</a>	0,001	Assembly-paste Rivolta F.L.A. 100 ml	✓			
<a href="#">57767080000</a>	4	Spring lock washer DIN128-A8-A2	✓			
<a href="#">60542403800</a>	1	ACCESSORY KIT FOR BENCH FIXATION	✓			
<a href="#">38103271000</a>	1	Packaging Stand mobile VSI cpl	✓			

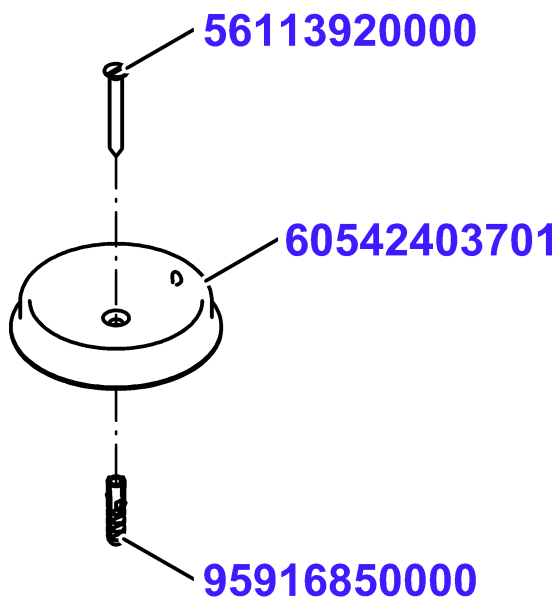
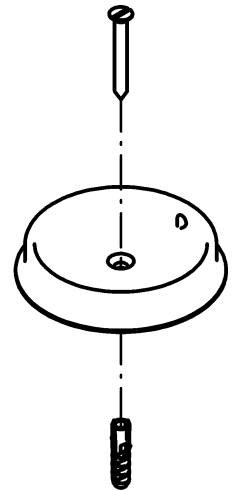
# Lever cpl.



# Lever cpl.

Material No.	Qty	Material description	available for order	Wear part	Recomm. sp. part	Metr. relevance
<a href="#">38083154002</a>	1	Lever				
<a href="#">50720600000</a>	2	Wheel 100x15x37-160				
<a href="#">56739100000</a>	2	Washer DIN125-A-10-A2				
<a href="#">57433250000</a>	2	Hexagon screw DIN933 M10x25 A2-70				
<a href="#">56739100000</a>	2	Washer DIN125-A-10-A2				
<a href="#">57433250000</a>	2	Hexagon screw DIN933 M10x25 A2-70				
<a href="#">95972950002</a>	0,001	Loctite 243 50 ml				

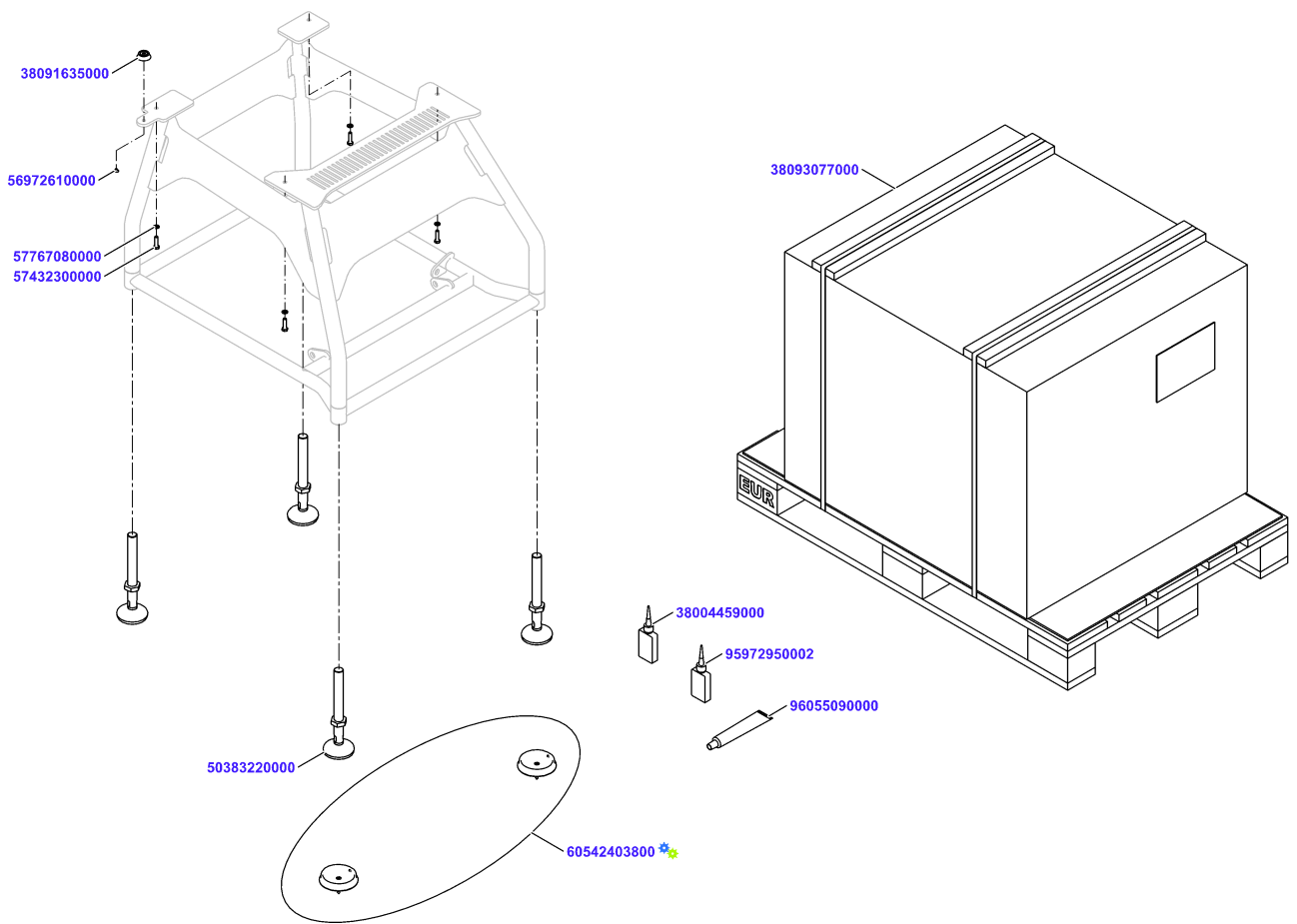
# ACCESSORY KIT FOR BENCH FIXATION















# ACCESSORY KIT FOR BENCH FIXATION

Material No.	Qty	Material description	available for order	Wear part	Recomm. sp. part	Metr. relevance
<a href="#">60542403701</a>	2	mounting	✓			
<a href="#">95916850000</a>	2	Dowel 6x10x35	✓			
<a href="#">56113920000</a>	2	Wood screw DIN97-6x50-4.6	✓			

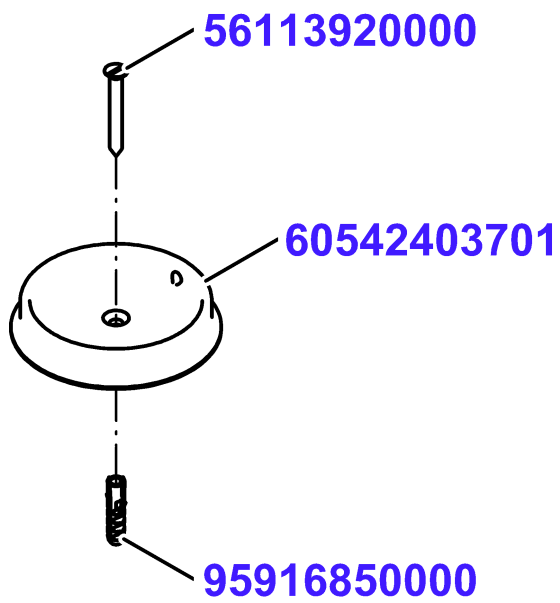
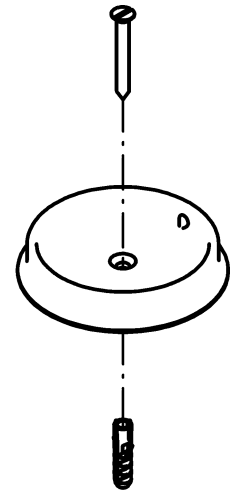
# Stand stationary cpl






## Stand stationary cpl

Material No.	Qty	Material description	available for order	Wear part	Recomm. sp. part	Metr. relevance
<a href="#">38082662004</a>	1	Stand welded				
<a href="#">38080235000</a>	4	Thread Bushing M30 x 40 x M24				
<a href="#">38004459000</a>	0,004	Loctite 648				
<a href="#">50383220000</a>	4	Pivot foot 80x254-M24x222-10°				
<a href="#">96055090000</a>	0,004	Assembly-paste Rivolta F.L.A. 100 ml				
<a href="#">57432300000</a>	4	Hexagon screw DIN933 M8x30 A2-70				
<a href="#">57767080000</a>	4	Spring lock washer DIN128-A8-A2				
<a href="#">38091635000</a>	1	Spirit Level preass				
<a href="#">56972610000</a>	1	Mushroom head screw M5x6-A2-70				
<a href="#">95972950002</a>	0,001	Loctite 243 50 ml				
<a href="#">60542403800</a>	1	ACCESSORY KIT FOR BENCH FIXATION				
<a href="#">38093077000</a>	1	Packaging Stand stationary VSI cpl				

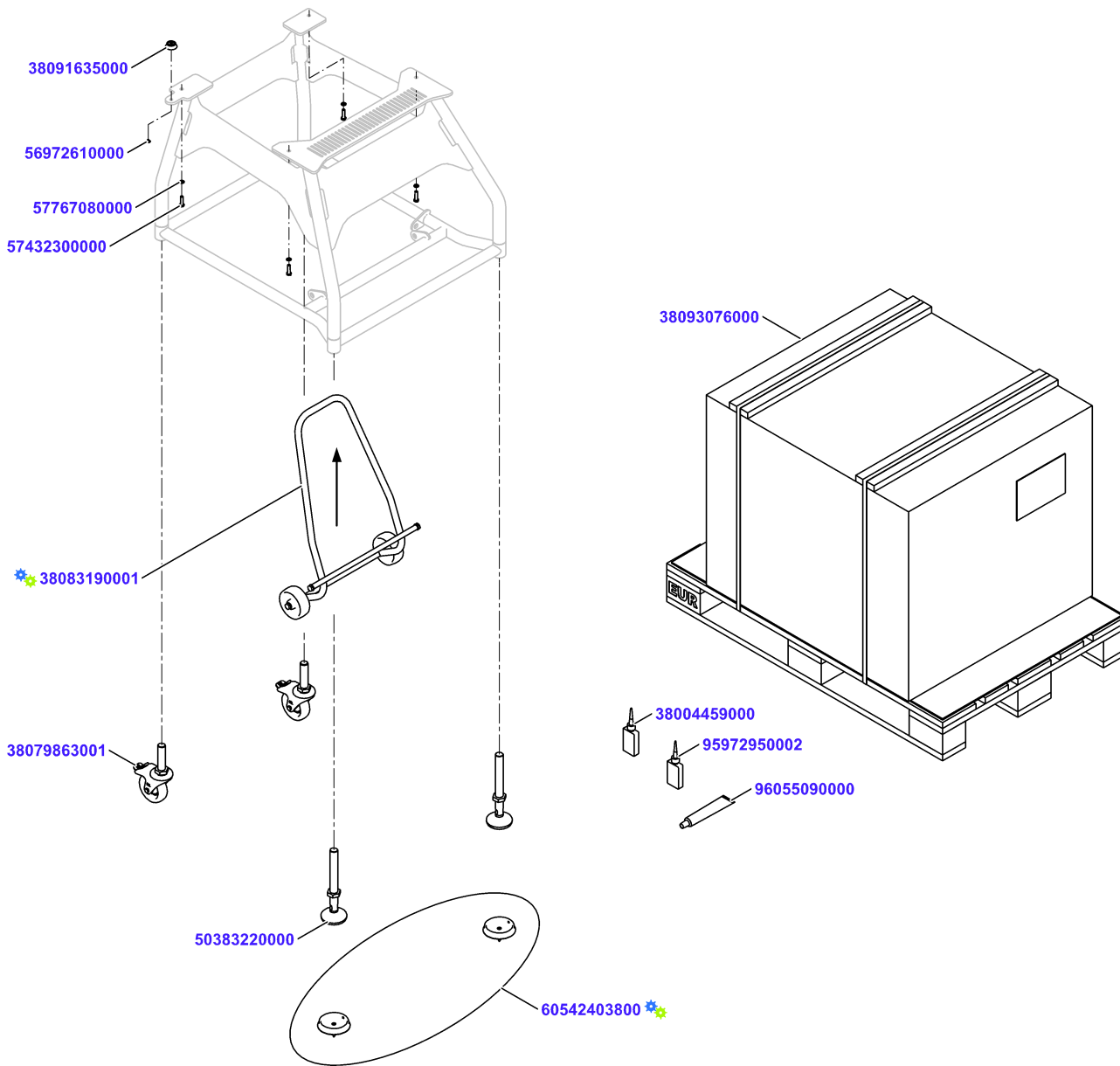
# ACCESSORY KIT FOR BENCH FIXATION

















# ACCESSORY KIT FOR BENCH FIXATION

Material No.	Qty	Material description	available for order	Wear part	Recomm. sp. part	Metr. relevance
<a href="#">60542403701</a>	2	mounting				
<a href="#">95916850000</a>	2	Dowel 6x10x35				
<a href="#">56113920000</a>	2	Wood screw DIN97-6x50-4.6				

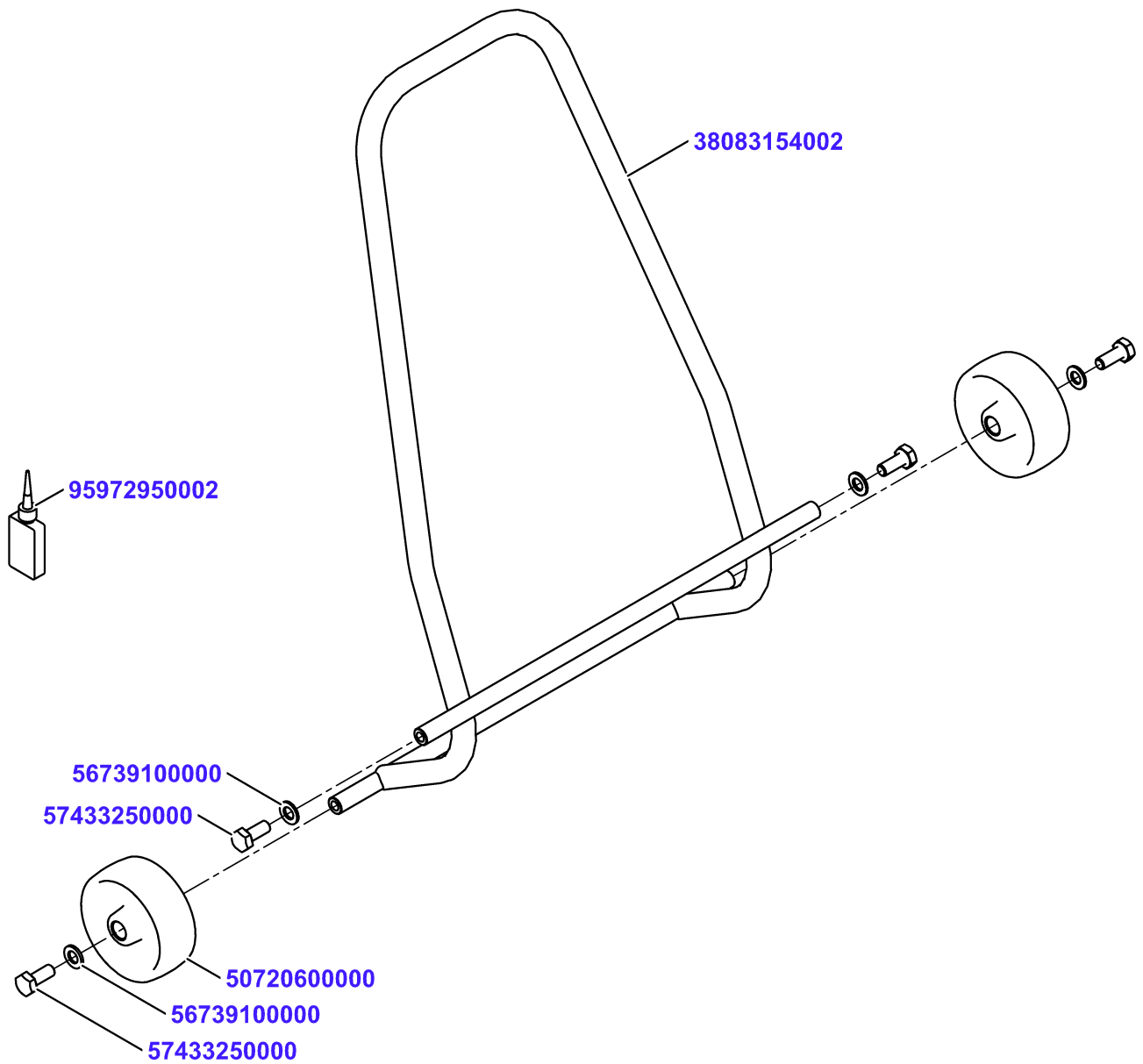
# Stand mobile cpl










# Stand mobile cpl

Material No.	Qty	Material description	available for order	Wear part	Recomm. sp. part	Metr. relevance
<a href="#">38082662004</a>	1	Stand welded				
<a href="#">38080235000</a>	4	Thread Bushing M30 x 40 x M24				
<a href="#">38004459000</a>	0,004	Loctite 648				
<a href="#">50383220000</a>	2	Pivot foot 80x254-M24x222-10°				
<a href="#">96055090000</a>	0,002	Assembly-paste Rivolta F.L.A. 100 ml				
<a href="#">38079863001</a>	2	Castor cpl				
<a href="#">38083190001</a>	1	Lever cpl.				
<a href="#">57432300000</a>	4	Hexagon screw DIN933 M8x30 A2-70				
<a href="#">57767080000</a>	4	Spring lock washer DIN128-A8-A2				
<a href="#">38091635000</a>	1	Spirit Level preass				
<a href="#">56972610000</a>	1	Mushroom head screw M5x6-A2-70				
<a href="#">95972950002</a>	0,001	Loctite 243 50 ml				
<a href="#">60542403800</a>	1	ACCESSORY KIT FOR BENCH FIXATION				
<a href="#">38093076000</a>	1	Packaging Stand mobile VSI cpl				

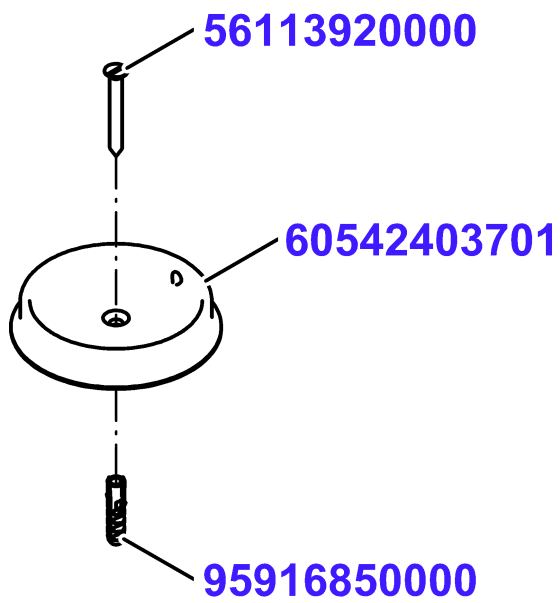
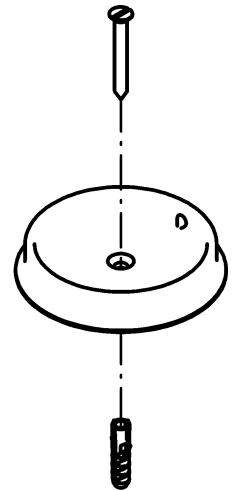
# Lever cpl.






# Lever cpl.

Material No.	Qty	Material description	available for order	Wear part	Recomm. sp. part	Metr. relevance
<a href="#">38083154002</a>	1	Lever				
<a href="#">50720600000</a>	2	Wheel 100x15x37-160				
<a href="#">56739100000</a>	2	Washer DIN125-A-10-A2				
<a href="#">57433250000</a>	2	Hexagon screw DIN933 M10x25 A2-70				
<a href="#">56739100000</a>	2	Washer DIN125-A-10-A2				
<a href="#">57433250000</a>	2	Hexagon screw DIN933 M10x25 A2-70				
<a href="#">95972950002</a>	0,001	Loctite 243 50 ml				

# ACCESSORY KIT FOR BENCH FIXATION

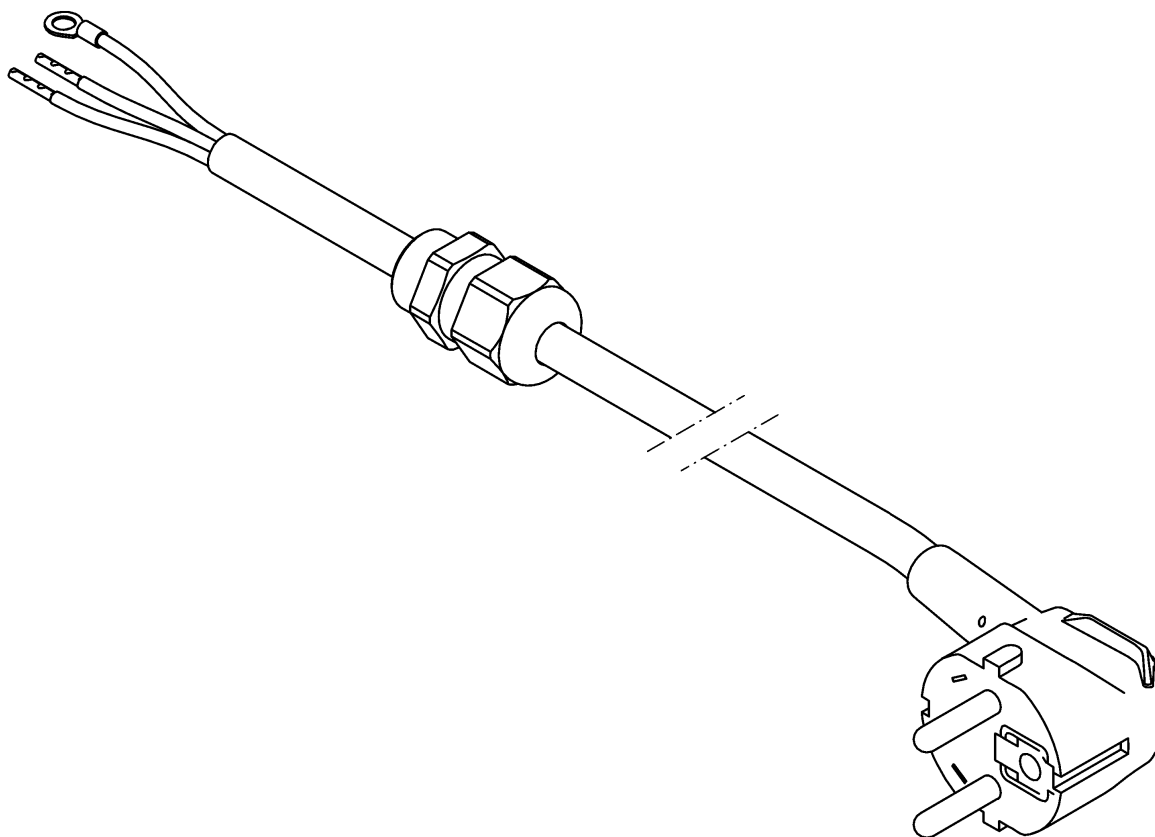


# ACCESSORY KIT FOR BENCH FIXATION


Material No.	Qty	Material description	available for order	Wear part	Recomm. sp. part	Metr. relevance
<a href="#">60542403701</a>	2	mounting				
<a href="#">95916850000</a>	2	Dowel 6x10x35				
<a href="#">56113920000</a>	2	Wood screw DIN97-6x50-4.6				

## Power connections

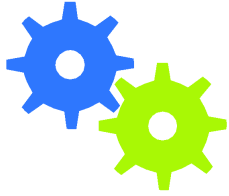
**38084852000**



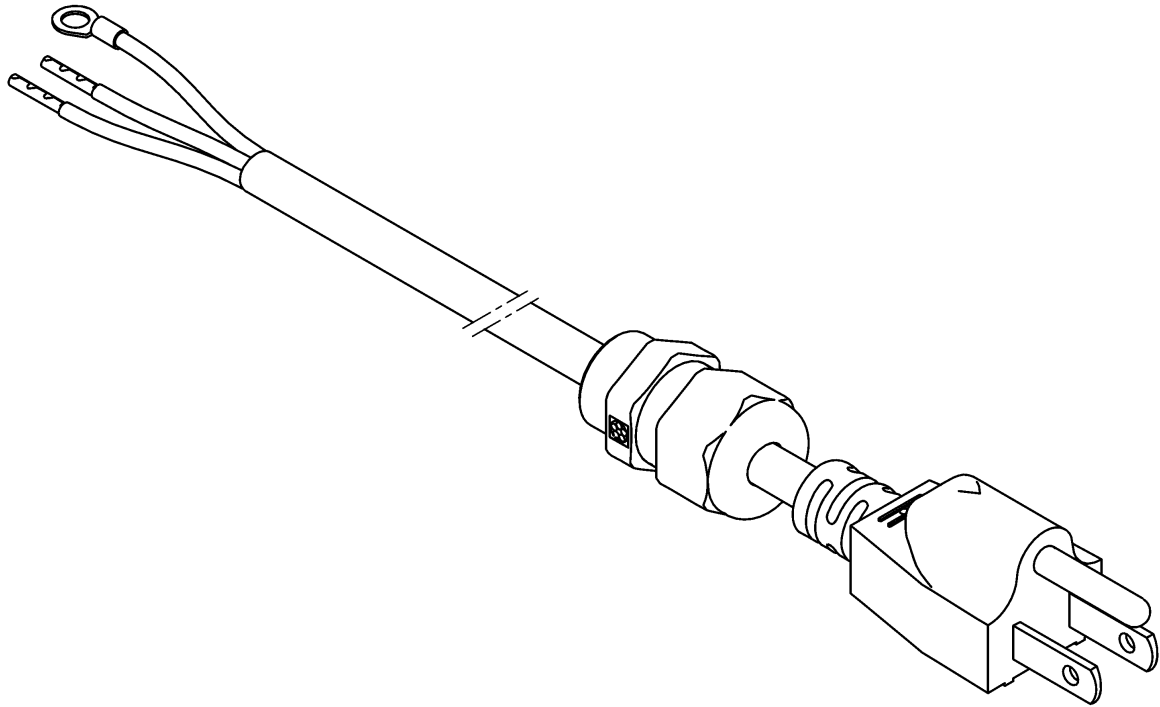
# Power connections

Material No.	Qty	Material description	available for order	Wear part	Recomm. sp. part	Metr. relevance
<a href="#">38084852000</a>	1	Power Connection Cable AC EURO L2,5m cpl				

# Power connections



**38084853001**

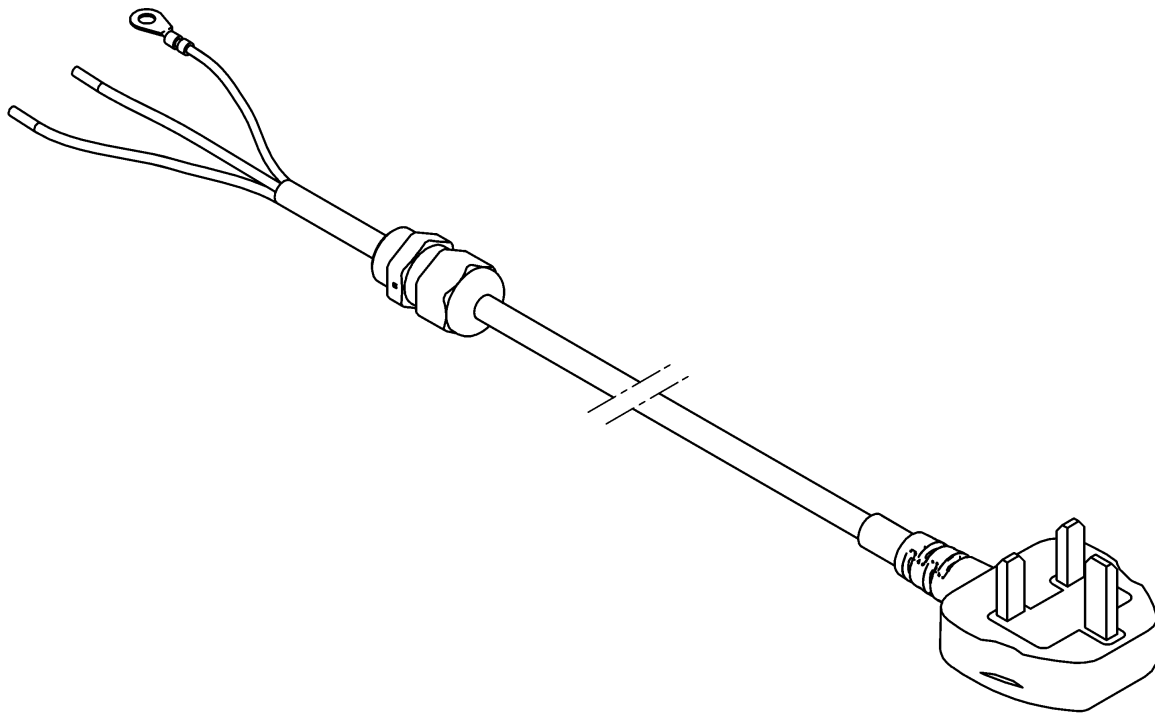


# Power connections

Material No.	Qty	Material description	available for order	Wear part	Recomm. sp. part	Metr. relevance
<a href="#">38084853001</a>	1	Power Connection Cable USA CAN cpl.				


## Power connections

**38091889000**



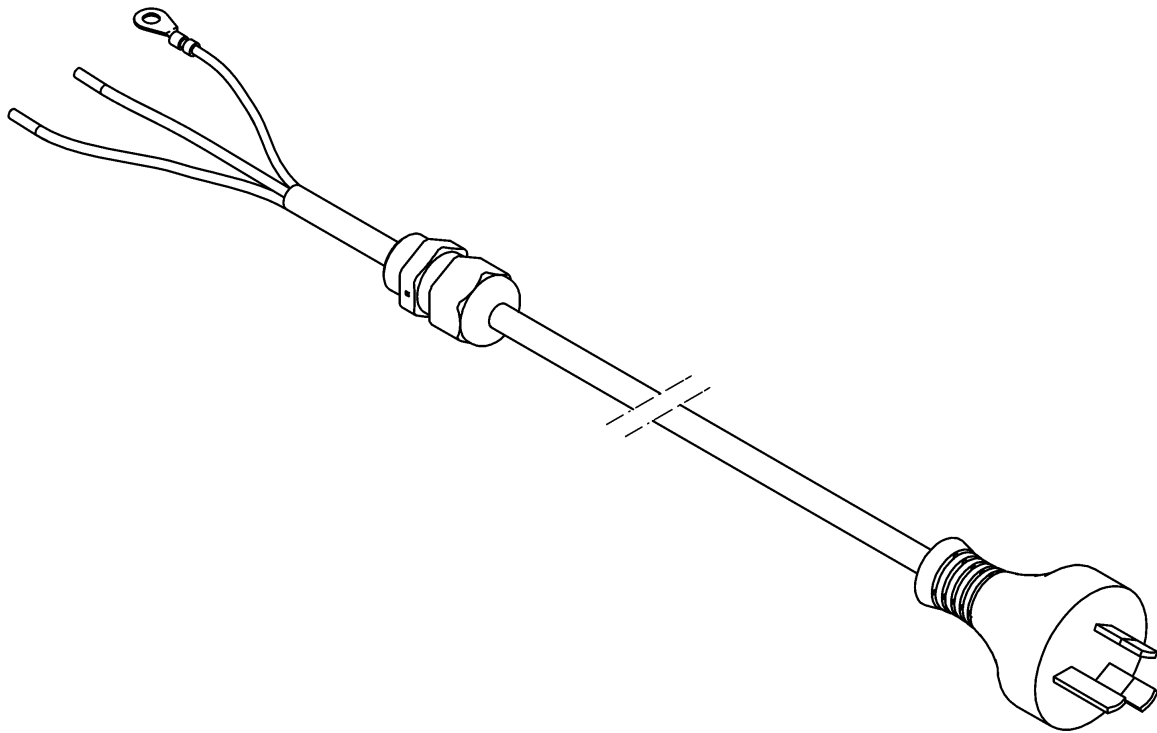
# Power connections

Material No.	Qty	Material description
<a href="#">38091889000</a>	1	Power Connection Cable UK cpl.

	available for order	Wear part	Recomm. sp. part	Metr. relevance
---	---------------------	-----------	------------------	-----------------

## Power connections

**38091890000**



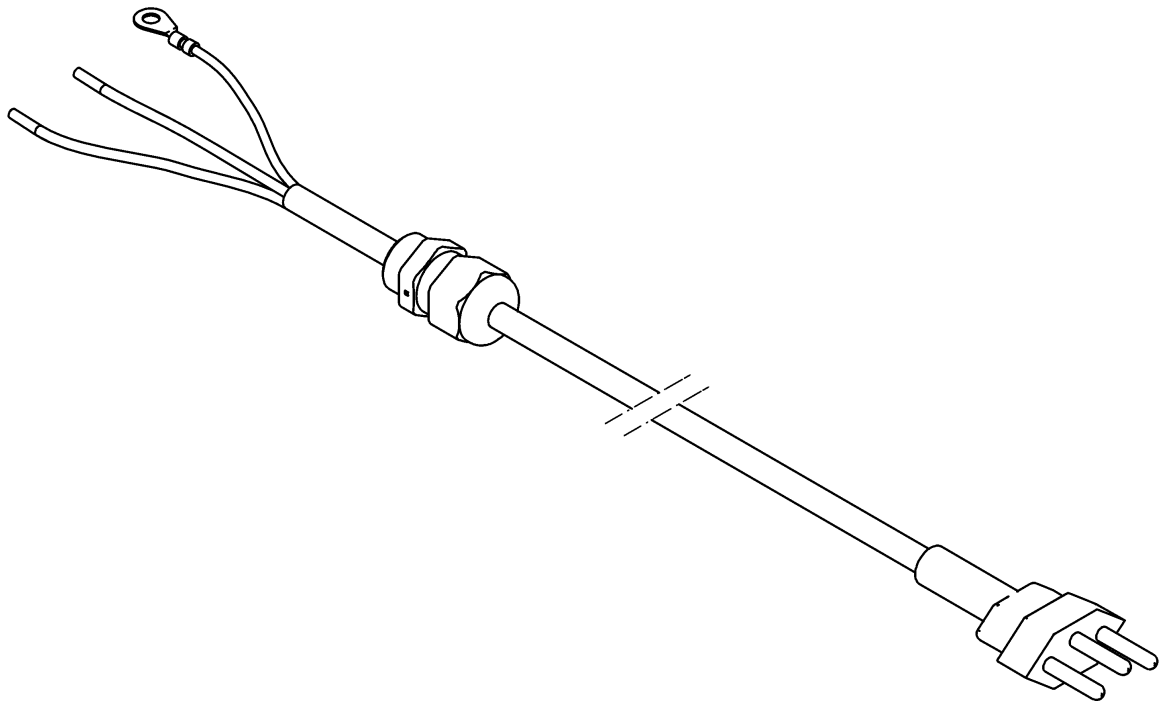
# Power connections

available for order
Wear part
Recomm. sp. part
Metr. relevance

Material No.	Qty	Material description
<a href="#">38091890000</a>	1	Power Connection Cable AU cpl.

## Power connections

**38091891000**



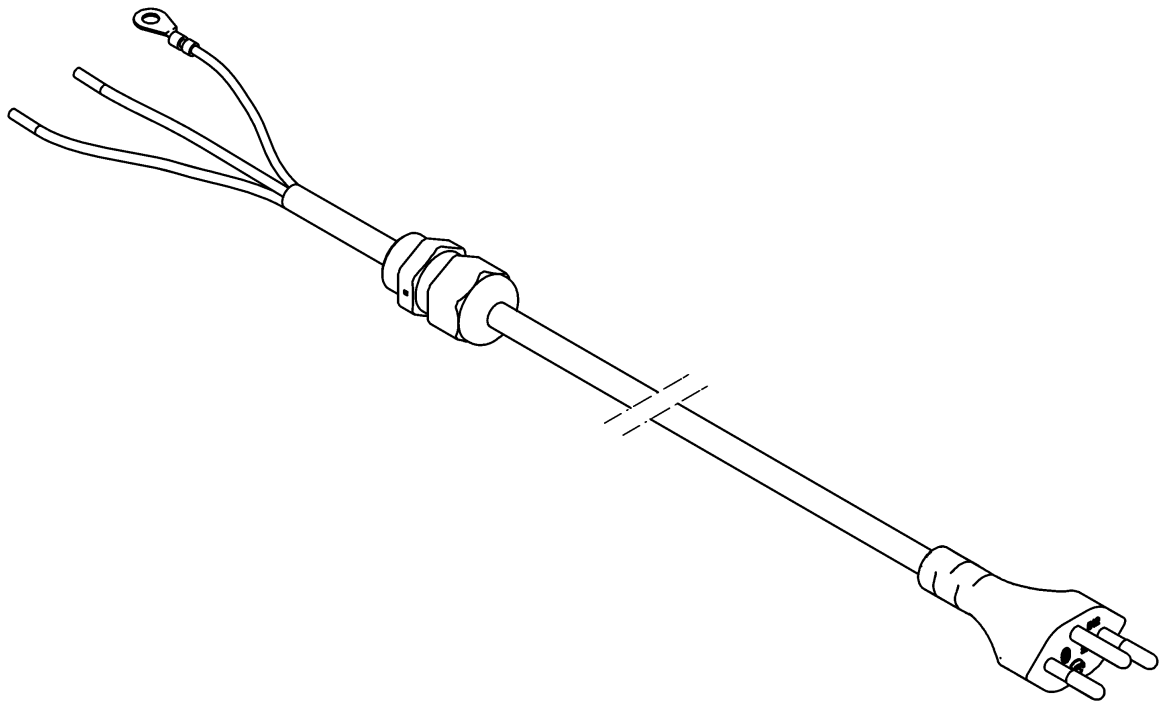
# Power connections

available for order
Wear part
Recomm. sp. part
Metr. relevance

Material No.	Qty	Material description
<a href="#">38091891000</a>	1	Power Connection Cable BR cpl.

## Power connections

**38098326000**



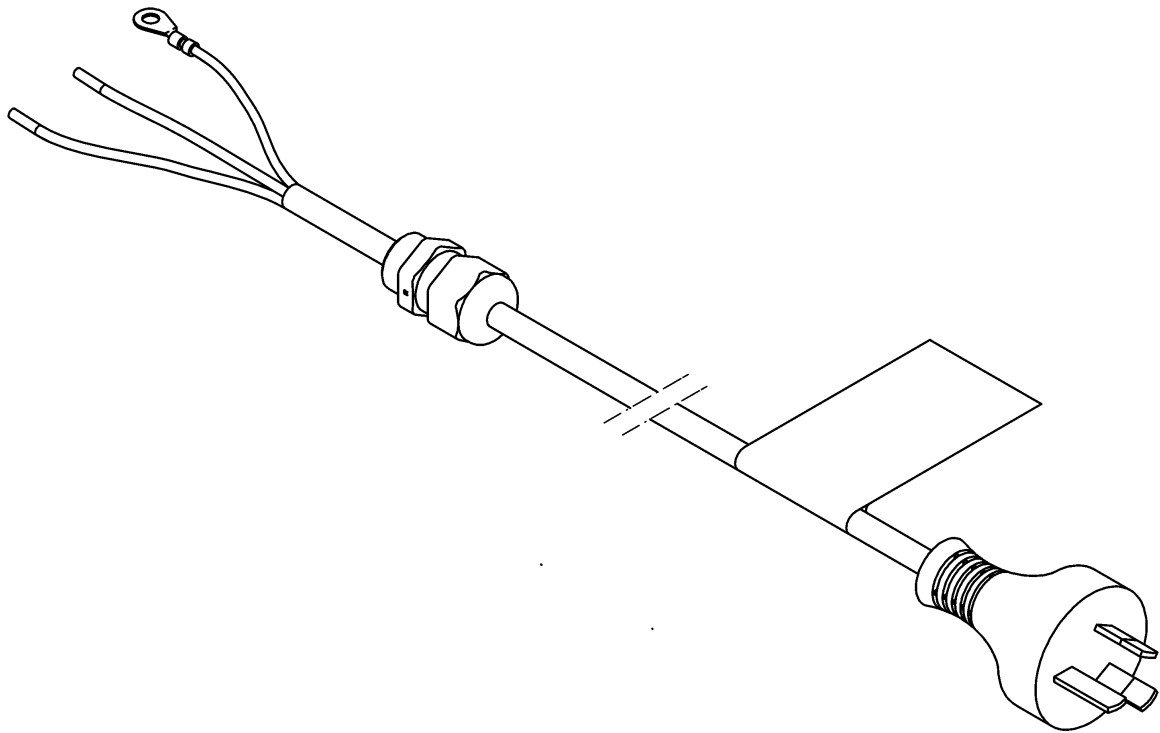
# Power connections

Material No.	Qty	Material description
<a href="#">38098326000</a>	1	Power Connection Cable CH cpl.

	available for order	Wear part	Recomm. sp. part	Metr. relevance
---	---------------------	-----------	------------------	-----------------

## Power connections

**38098327000**



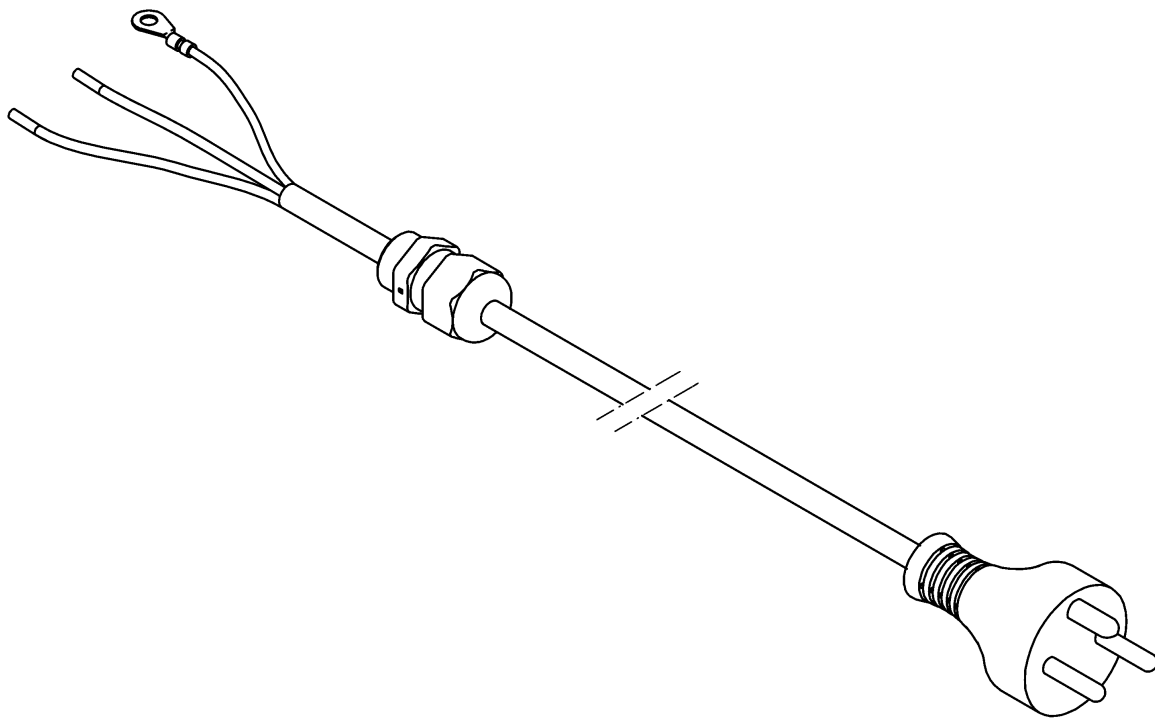
# Power connections

available for order
Wear part
Recomm. sp. part
Metr. relevance

Material No.	Qty	Material description
<a href="#">38098327000</a>	1	Power Connection Cable AR cpl.

## Power connections

**38106851000**

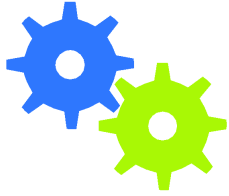


# Power connections

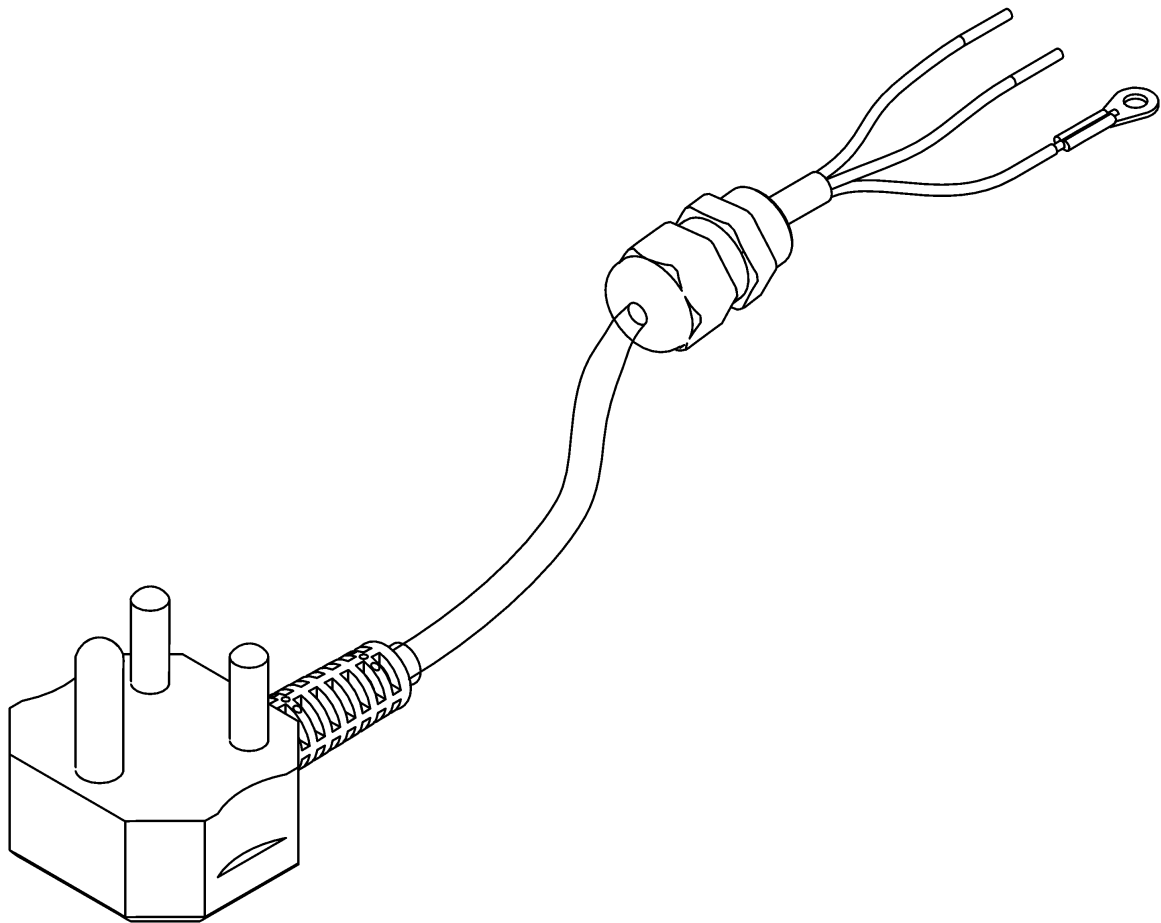
available for order
Wear part
Recomm. sp. part
Metr. relevance

Material No.	Qty	Material description
<a href="#">38106851000</a>	1	Power Connection Cable DK cpl

# Power connections



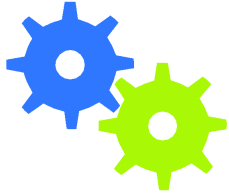
**38151086000**



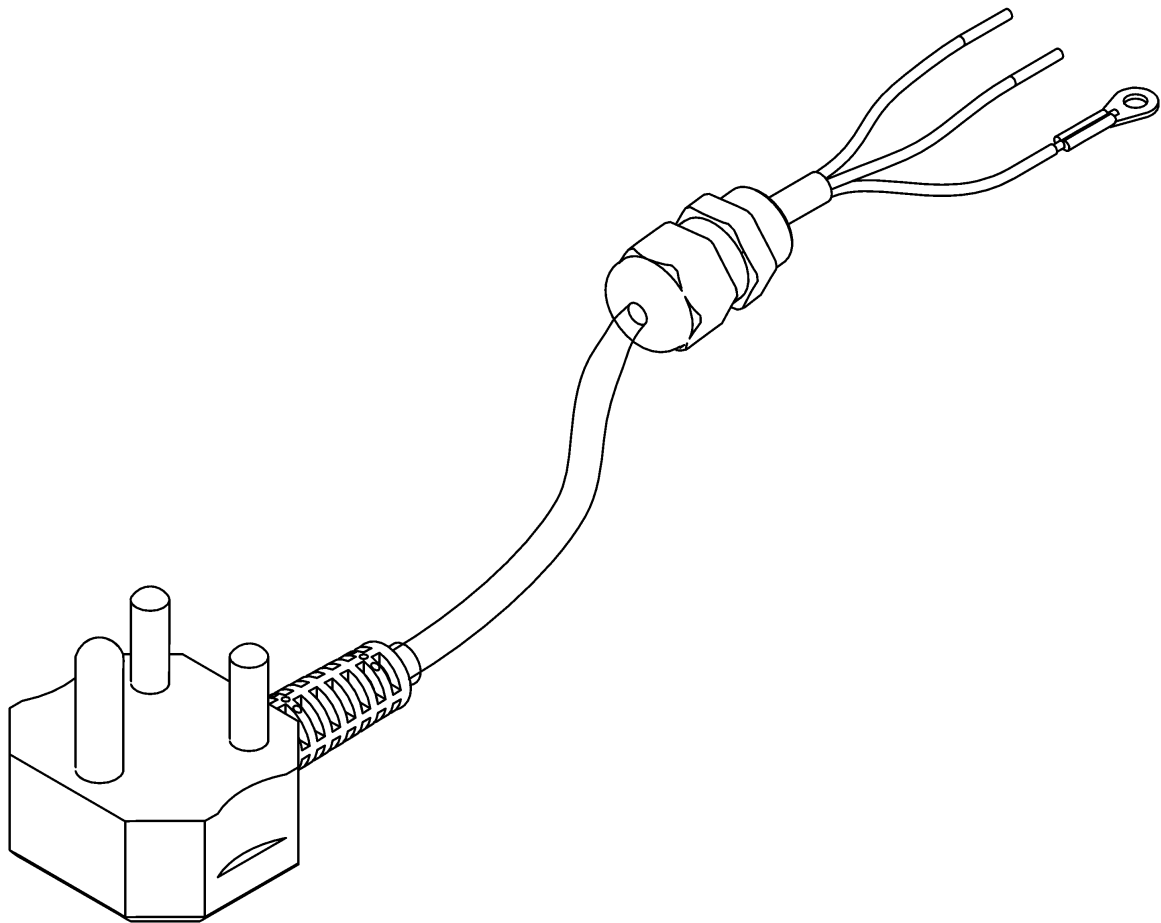
# Power connections

Material No.	Qty	Material description	available for order	Wear part	Recomm. sp. part	Metr. relevance
38151086000	1	Power Connection Cable IN cpl.				

# Power connections



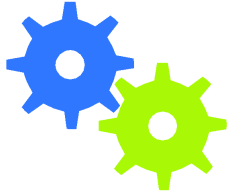
**38152676000**



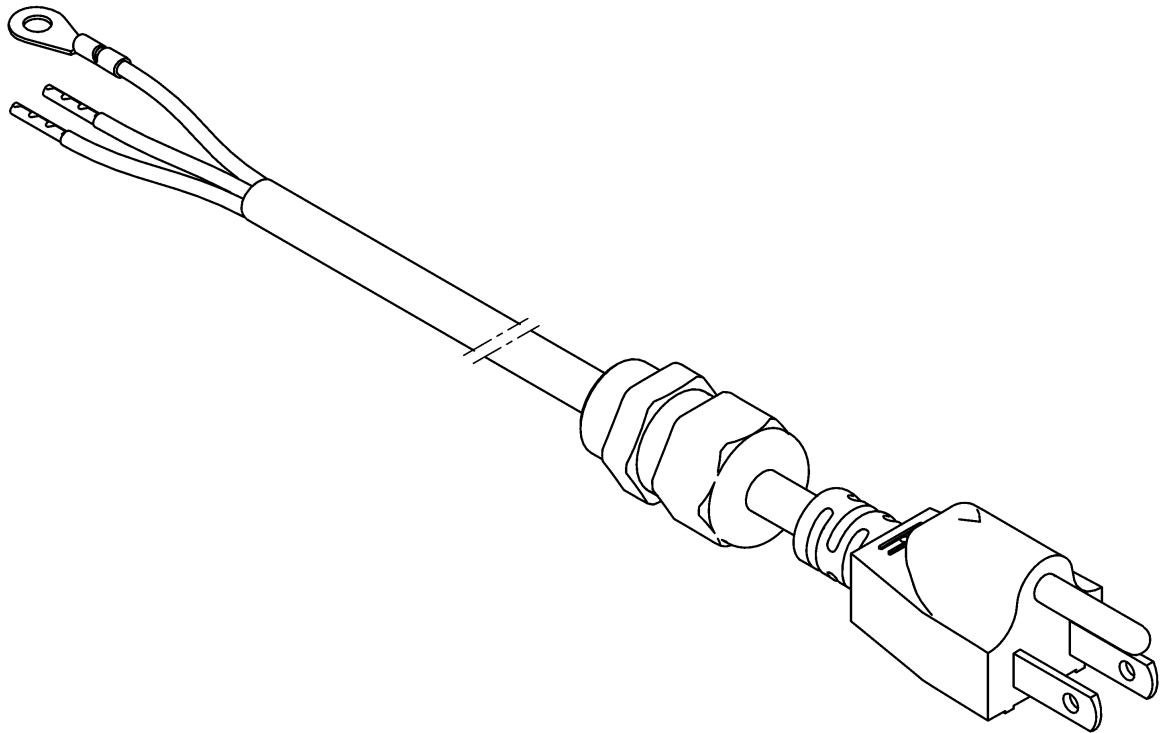
# Power connections

Material No.	Qty	Material description	available for order	Wear part	Recomm. sp. part	Metr. relevance
<a href="#">38152676000</a>	1	Power Connection Cable ZA cpl. Type M				

# Power connections



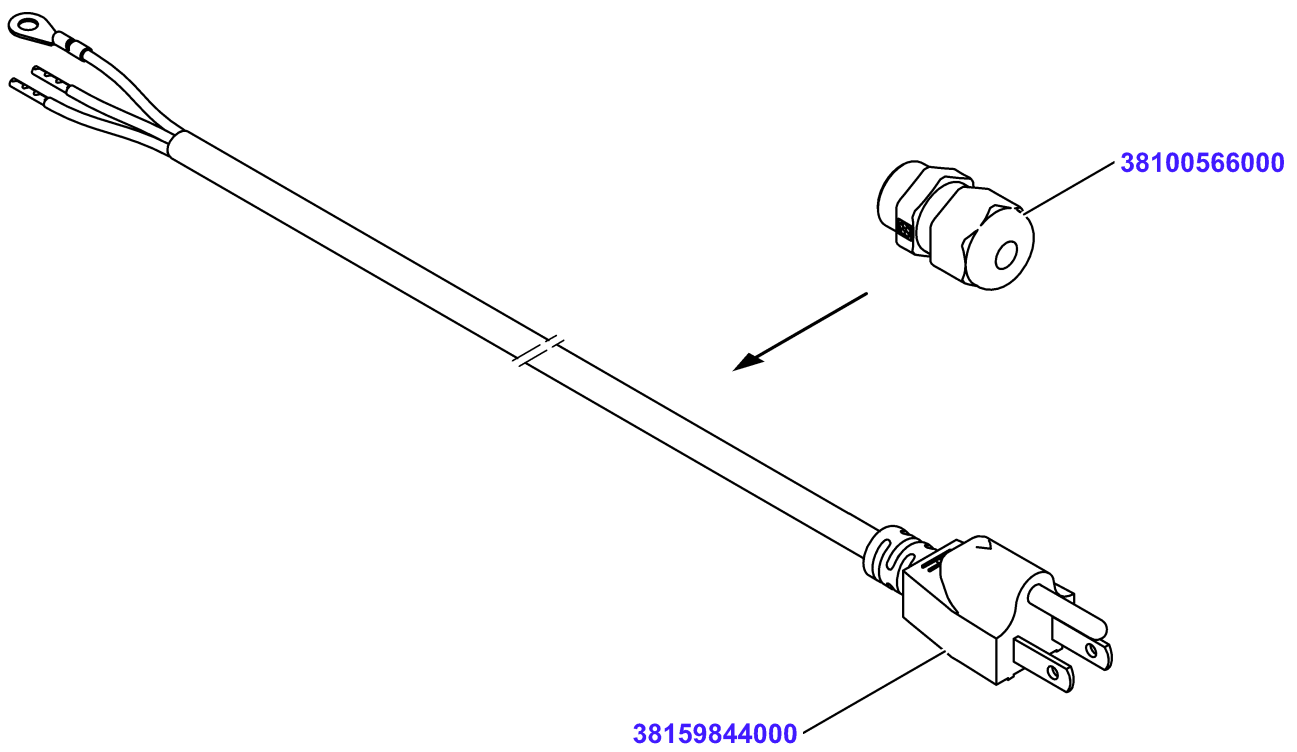
**38177210000**



# Power connections

Material No.	Qty	Material description	available for order	Wear part	Recomm. sp. part	Metr. relevance
<a href="#">38177210000</a>	1	PowerCable USA CAN cpl high-strength VSI				

# Power Connection Cable USA CAN cpl.

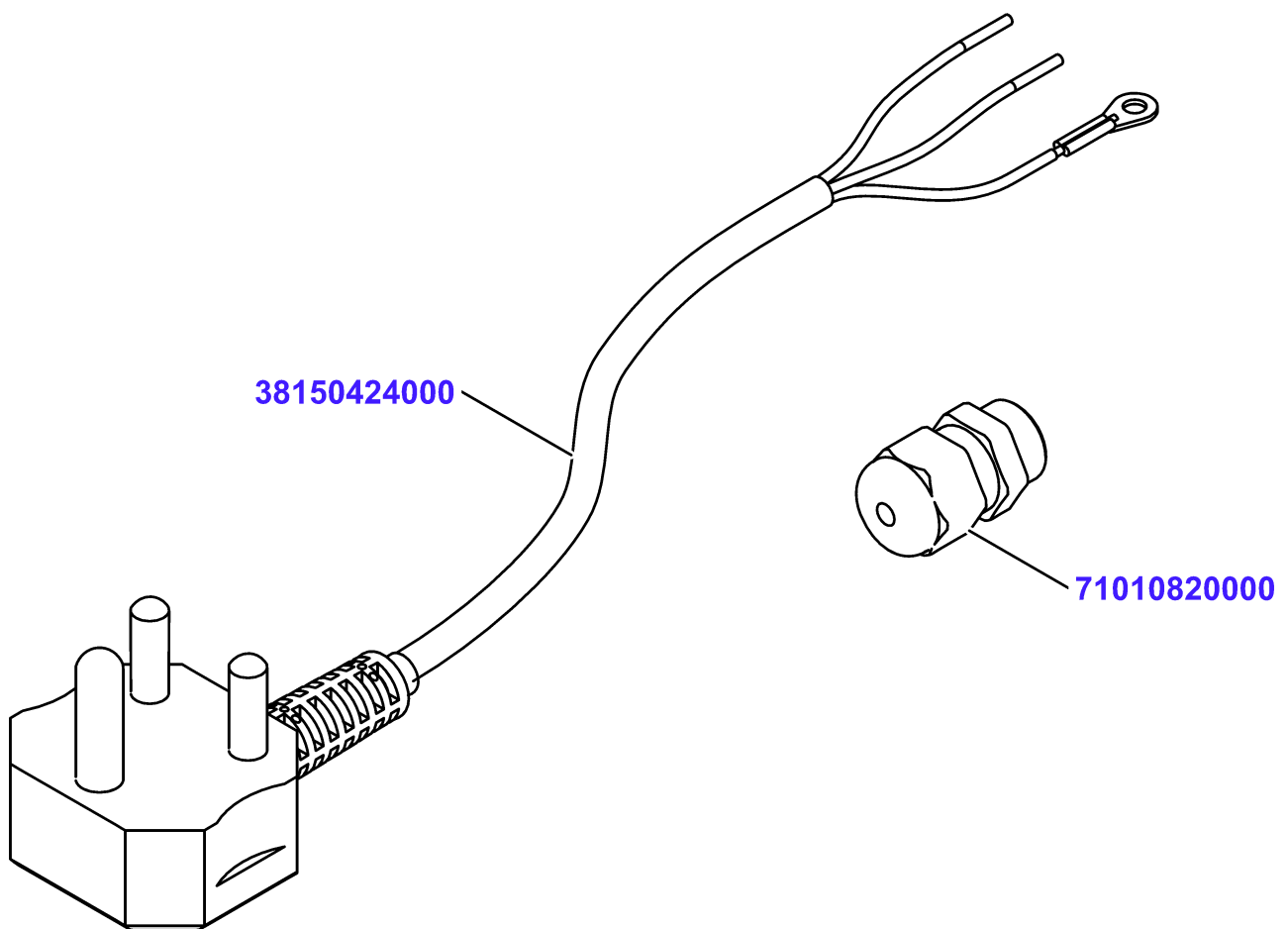


## Power Connection Cable USA CAN cpl.

Material No.	Qty	Material description
<a href="#">38159844000</a>	1	Power Cable Plugtype B 3xAWG18 BK 2,5m
<a href="#">38100566000</a>	1	Cable gland Skintop ST-M M16x1,5 black

available for order
Wear part
Recomm. sp. part
Metr. relevance

## Power Connection Cable ZA cpl. Type M

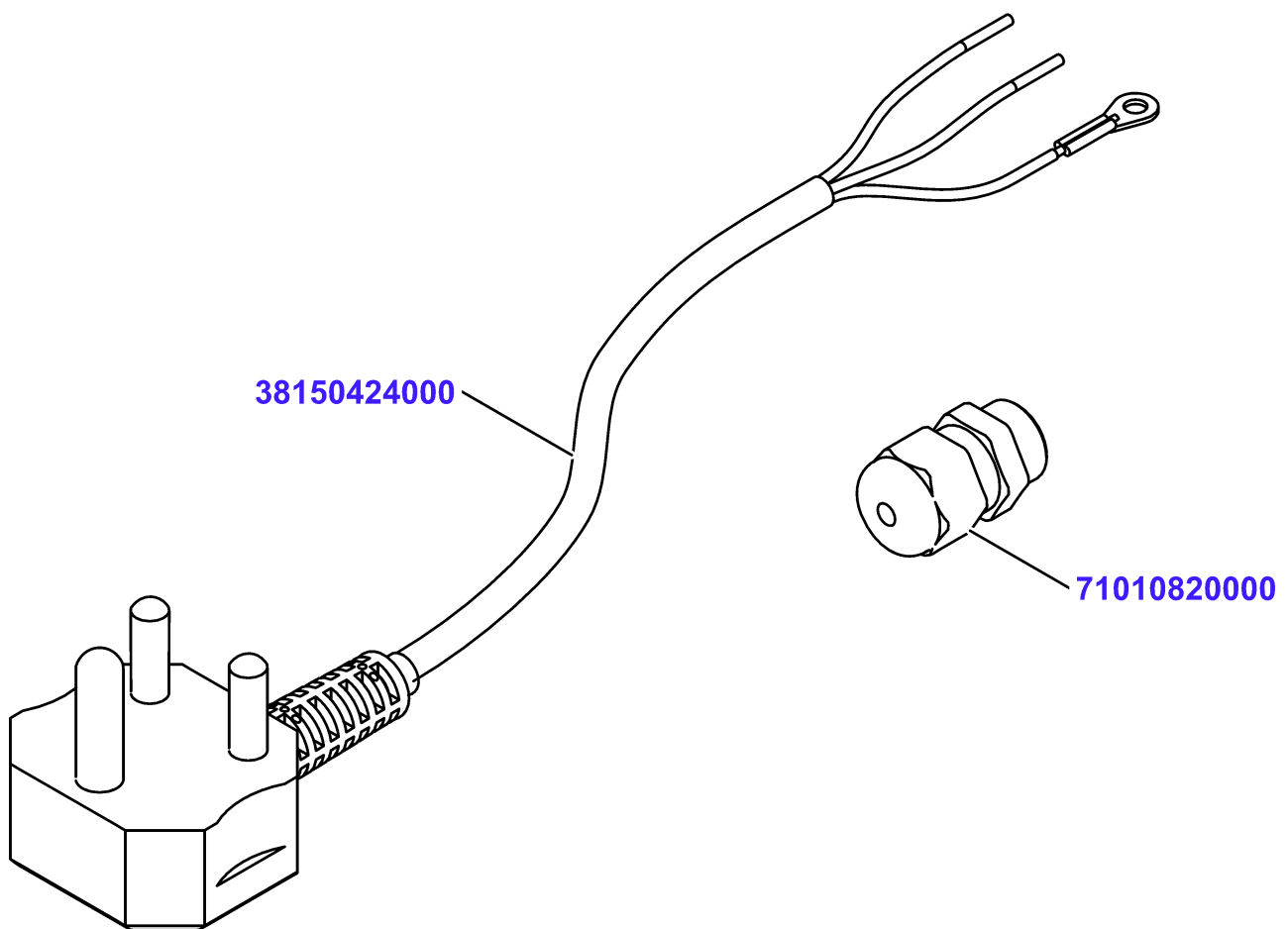


# Power Connection Cable ZA cpl. Type M

Material No.	Qty	Material description
<a href="#">38150424000</a>	1	Ca Rd 3G1,00 2,5m Typ M
<a href="#">71010820000</a>	1	Cable Gland M16 UL 53111010

available for order	Wear part	Recomm. sp. part	Metr. relevance

# Power Connection Cable IN cpl.

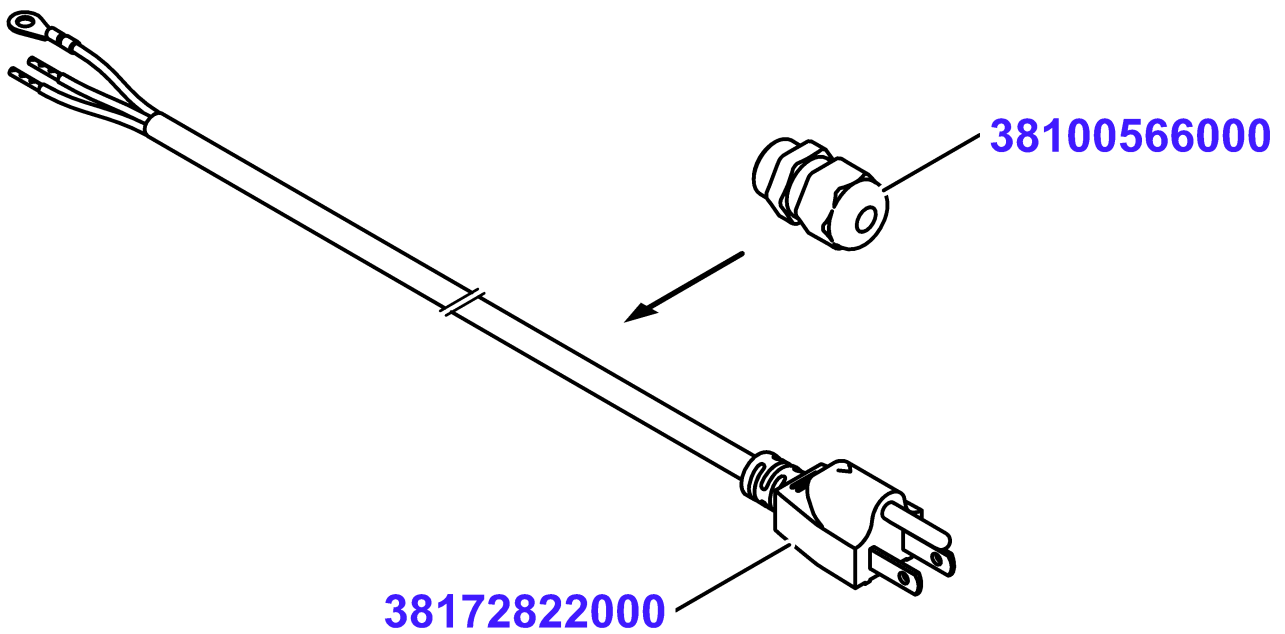


## Power Connection Cable IN cpl.

Material No.	Qty	Material description
<a href="#">38150424000</a>	1	Ca Rd 3G1,00 2,5m Typ M
<a href="#">71010820000</a>	1	Cable Gland M16 UL 53111010

available for order
Wear part
Recomm. sp. part
Metr. relevance

# PowerCable USA CAN cpl high-strength VSI



# PowerCable USA CAN cpl high-strength VSI

Material No.	Qty	Material description
<a href="#">38172822000</a>	1	Power Cable Plugtype B 3xAWG18 YE 2,5m
<a href="#">38100566000</a>	1	Cable gland Skintop ST-M M16x1,5 black

available for order	Wear part	Recomm. sp. part	Metr. relevance

# Identification plates

**38086202002**

<b>BIZERBA</b>	VSI330 XXX
XXX	
Nr./No. XXX	XXX
XXX	
Bizerba SE & Co.KG Wilhelm-Kraut-Str.65 72336 Balingen Germany	
XXX	XXX

# Identification plates

**Material No.**    **Qty**    **Material description**

[38086202002](#)    1    Name Plate VSI

available for order
Wear part
Recomm. sp. part
Metr. relevance

## Identification plates

# 38100642003

**BIZERBA** \_\_\_\_\_ XXXXXX

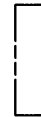
Fatiador \_\_\_\_\_ Ano X-XXXX \_\_\_\_\_

Nr. / No. XXXXXXXX \_\_\_\_\_ IPx5

X XX XXXXXXXXXXXX XX XXXXXX \_\_\_\_\_

-----

**Bizerba SE & Co.KG**  
**Wilhelm-Kraut-Str.65**  
**72336 Balingen**  
**FABRICADO NA ALEMANHA**



Bizerba do Brasil Ltda.

Alameda Caiapós 717-Tamboré

06460-110 Barueri-SP

Brasil

CNPJ 04.409.332/0001-85

Número registro no CREA-SP: 2038471

Peso da máquina 137kg

Capacidade carregamento máximo 20,0 kg

# Identification plates


**Material No.**    **Qty**    **Material description**

available for order
Wear part
Recomm. sp. part
Metr. relevance

## Identification plates

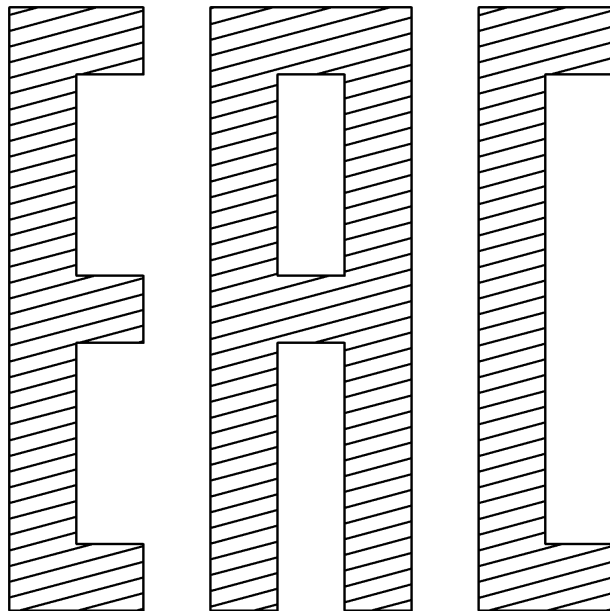
# Identification plates

Material No.	Qty	Material description
<a href="#">38100643003</a>	2	Nameplate VSI F T BRA

	available for order	Wear part	Recomm. sp. part	Metr. relevance
---	---------------------	-----------	------------------	-----------------

# Plates

**38014393000**



# Plates

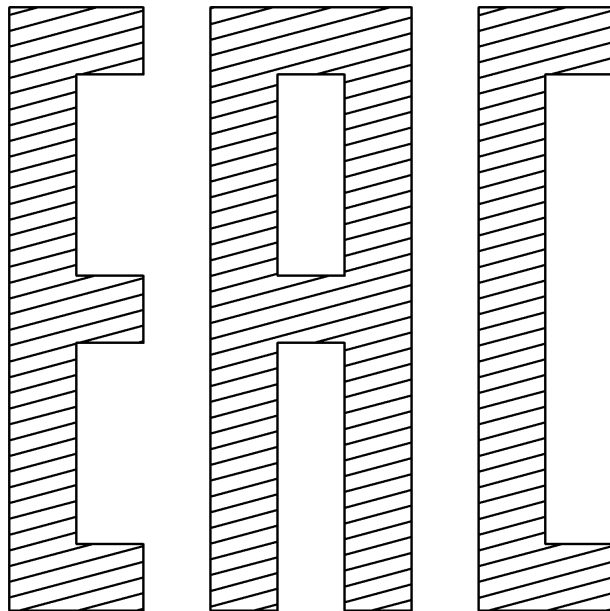
**Material No.**    **Qty**    **Material description**

38014393000    1    EAC mark

available for order
Wear part
Recomm. sp. part
Metr. relevance

# Plates

**38014393001**



# Plates

**Material No.**    **Qty**    **Material description**

[38014393001](#)    1    Plate EAC mark

available for order
Wear part
Recomm. sp. part
Metr. relevance


# Plates

**38014989000**



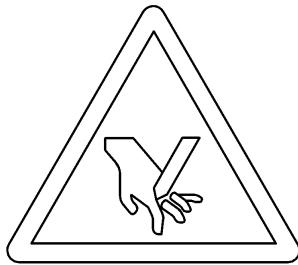
# Plates

Material No.	Qty	Material description
<a href="#">38014989000</a>	1	Sticker "See instruction manual"

	available for order	Wear part	Recomm. sp. part	Metr. relevance
---	---------------------	-----------	------------------	-----------------

# Plates

## 38017656000



### ⚠ WARNING

Authorized personnel only  
 Read operating instructions  
 to avoid serious injuries  
 Moving parts can  
 crush and cut  
 Disconnect from supply  
 circuit before cleaning  
 or servicing

### ⚠ AVERTISSEMENT / CUIDADO

Personnel autorisé seulement  
 Lire le mode d'emploi afin  
 d'éviter des blessures graves  
 Les mécanismes en mouvement  
 peuvent écraser et couper  
 Débrancher du secteur  
 avant d'effectuer le  
 nettoyage ou l'entretien

Solo personal autorizado  
 Lea cuidadosamente las instrucc  
 de manejo para evitar serios da  
 Las partes móviles pueden  
 machucar y cortar  
 Desconecte la fuente de energ  
 eléctrica antes de realizar la  
 limpieza o trabajos de servicio

# Plates

Material No.	Qty	Material description
<a href="#">38017656000</a>	1	Warning plate

available for order

Wear part

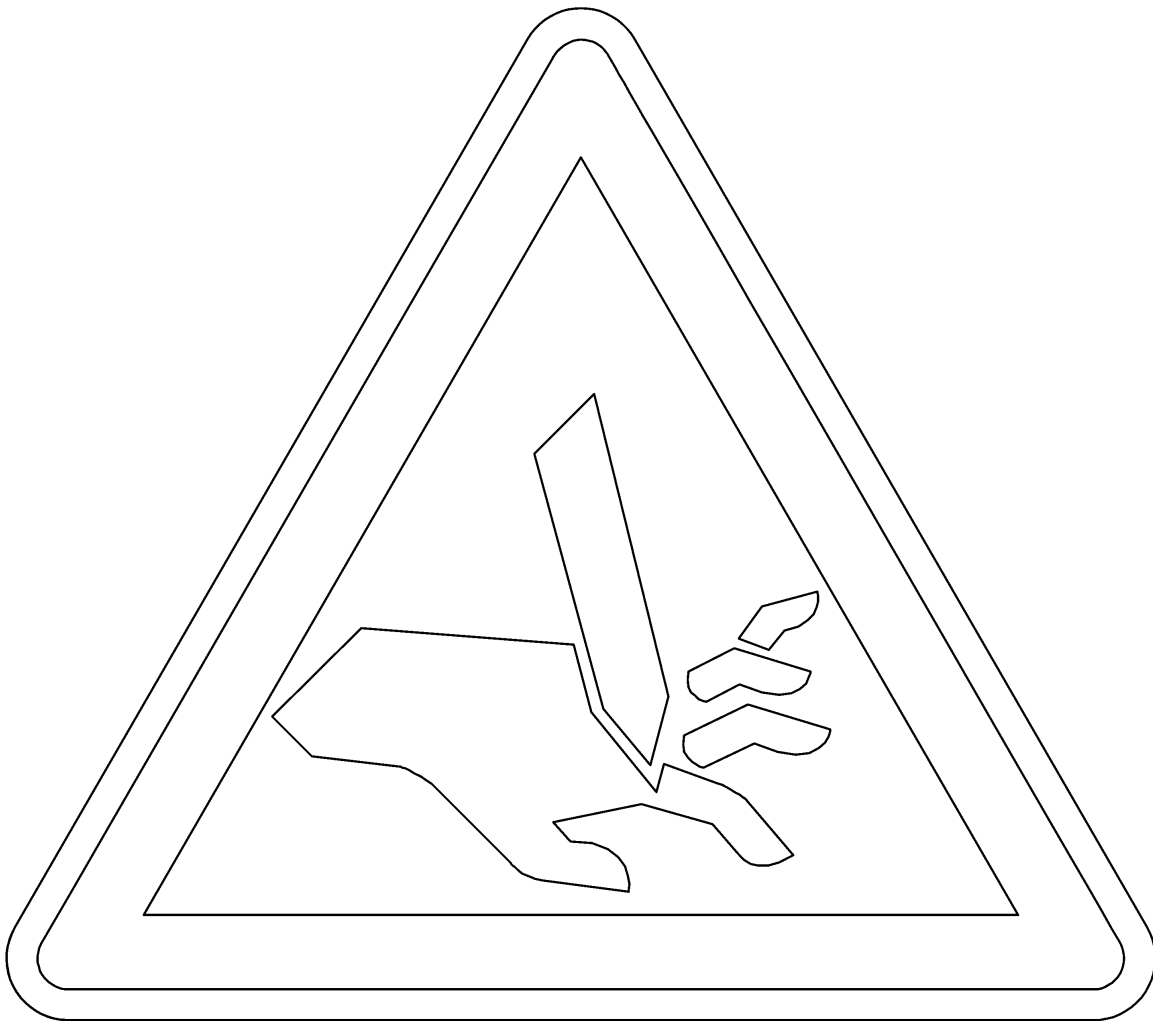
Recomm. sp. part

Metr. relevance




# Plates

**38074016000**



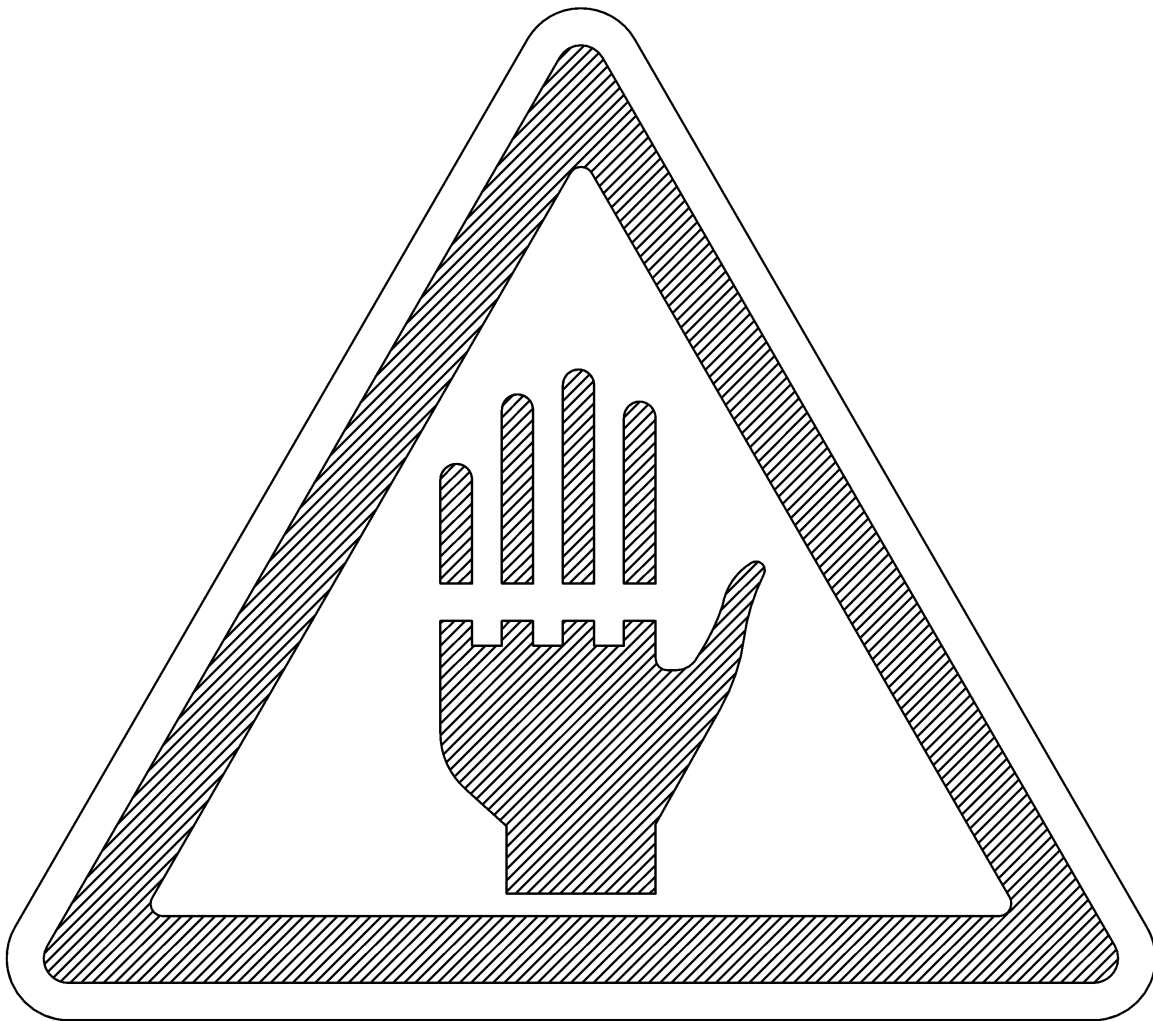
# Plates

Material No.	Qty	Material description
<a href="#">38074016000</a>	1	Warning Label Danger of Cuts SL50mm

	available for order
	Wear part
	Recomm. sp. part
	Metr. relevance


# Plates

**38075271000**



# Plates

Material No.	Qty	Material description
<a href="#">38075271000</a>	1	guide sign risk to cut BRA


	available for order	Wear part	Recomm. sp. part	Metr. relevance
---	---------------------	-----------	------------------	-----------------

# Plates

**38079377000**



# Plates

Material No.	Qty	Material description	available for order	Wear part	Recomm. sp. part	Metr. relevance
<a href="#">38079377000</a>	1	Warning Label max Product weight				

# Plates

**38100974000**



# Plates

Material No.	Qty	Material description	available for order	Wear part	Recomm. sp. part	Metr. relevance
<a href="#">38100974000</a>	1	GS-Label Dim.2 NV 18011 / VSI				

## Plates

**38155536000**

38155536000

**Made in Germany**

# Plates

Material No.	Qty	Material description
<a href="#">38155536000</a>	1	Plate Made in Germany 60x10

available for order

Wear part

Recomm. sp. part

Metr. relevance




# Plates

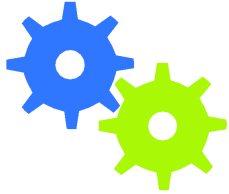
**38175831000**



# Plates

Material No.	Qty	Material description	available for order	Wear part	Recomm. sp. part	Metr. relevance
38175831000	1	GS-Label Dim.2 NV 21123 /VSI F, VSI F T				

## Plates



**38178095000**


d=

1g

Max

2kg

# Plates

Material No.	Qty	Material description	available for order	Wear part	Recomm. sp. part	Metr. relevance
38178095000	1	Sticker identification scale 1g 2kg				

# Plates

**51488600000**

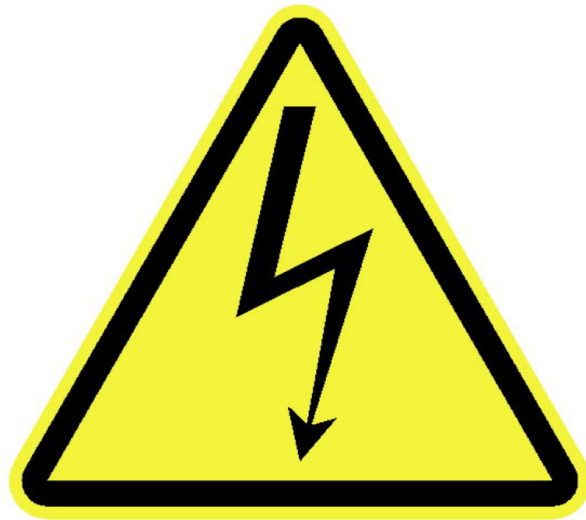


# Plates


Material No.	Qty	Material description	available for order	Wear part	Recomm. sp. part	Metr. relevance
<a href="#">51488600000</a>	1	Warning Plate Hand Injury 7.29K				

# Plates

**51977600000**



# Plates

Material No.	Qty	Material description	available for order	Wear part	Recomm. sp. part	Metr. relevance
<a href="#">51977600000</a>	1	Warning plate with danger arrow 50				

## Plates


**60804801200**

### SHARPEN AND LUBE DAILY

1. clean and dry blade
2. set sharpener to 1 for 30 seconds
3. then position 2 for 3 seconds

damage from neglect not covered under warranty

# Plates


Material No.	Qty	Material description	available for order	Wear part	Recomm. sp. part	Metr. relevance
60804801200	1	Reference plate "Sharpen and lube daily"				

## Plates

**94009990000**

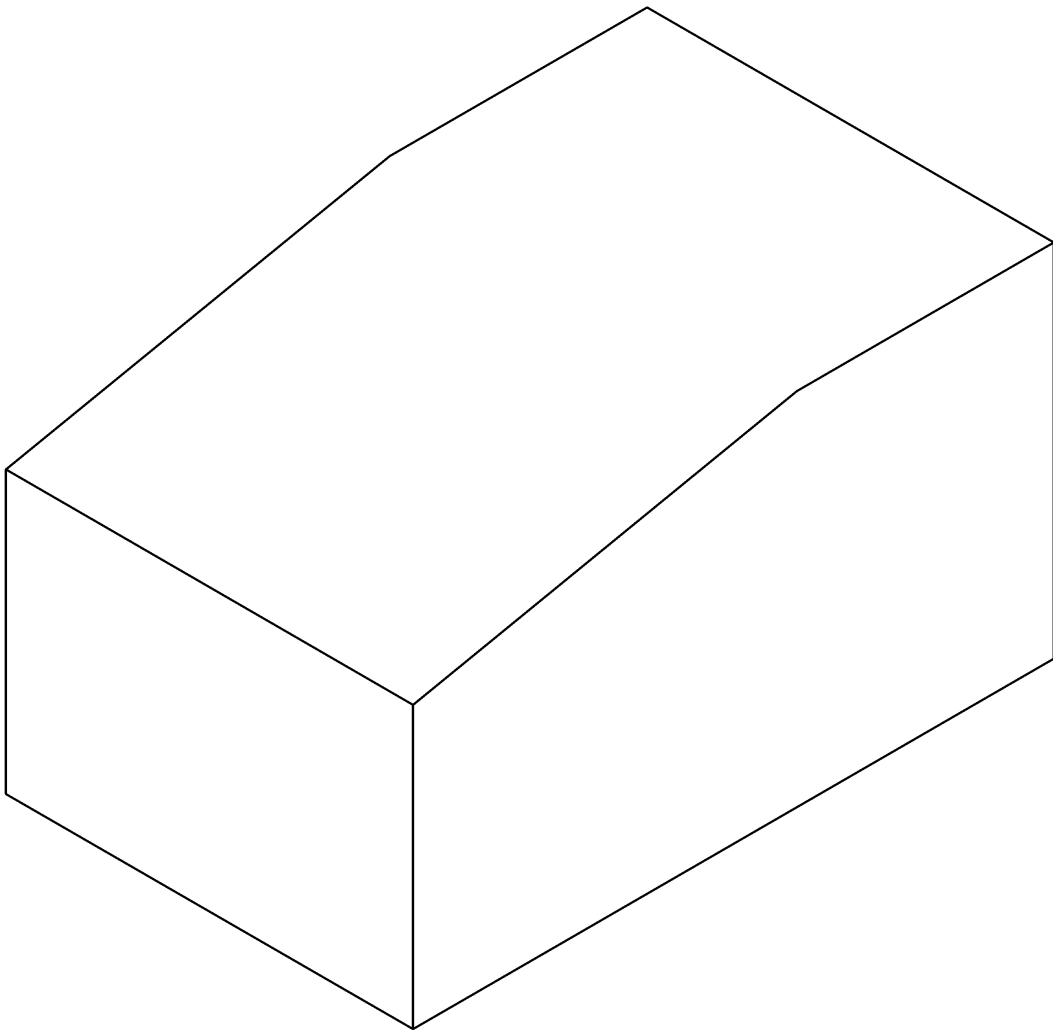
 **Bizerba Hotline**  
T 07433 12-1300

# Plates

Material No.	Qty	Material description	available for order	Wear part	Recomm. sp. part	Metr. relevance
<a href="#">94009990000</a>	1	Machine sticker Hotline 1020 (70x30)				


## Accessories

**38083015000**

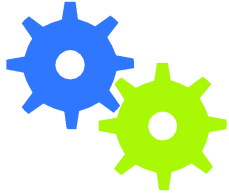


# Accessories

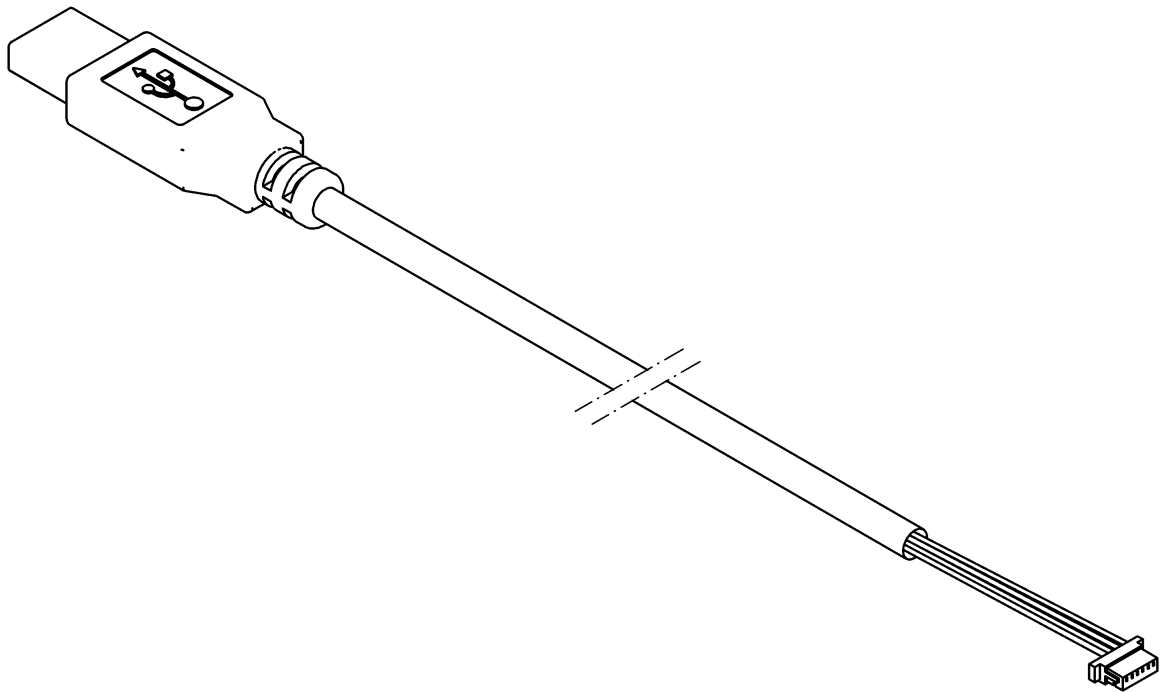
Material No.	Qty	Material description
<a href="#">38083015000</a>	1	Protective Hood VSI

	available for order	Wear part	Recomm. sp. part	Metr. relevance
---	---------------------	-----------	------------------	-----------------

# Accessories



**38086259000**

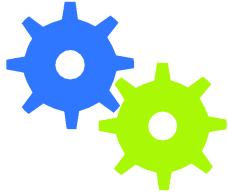


# Accessories

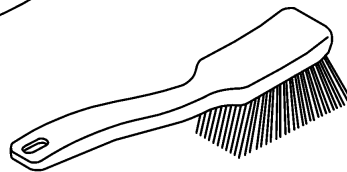
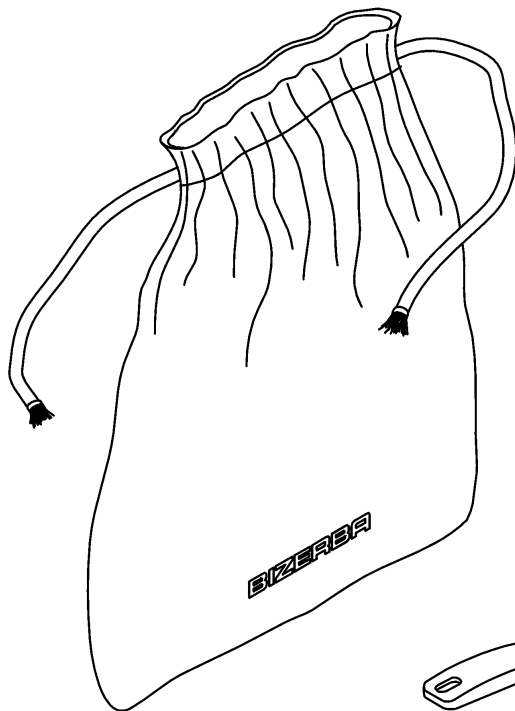
Material No.	Qty	Material description
<a href="#">38086259000</a>	1	VSI calibration touch controller

available for order
Wear part
Recomm. sp. part
Metr. relevance


# Accessories



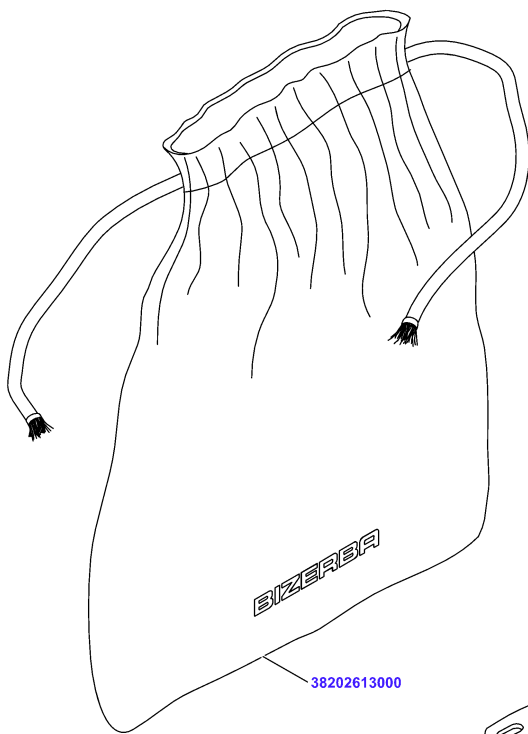
## 38201391000



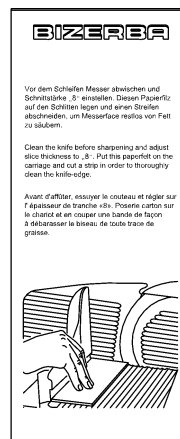
# Accessories

Material No.	Qty	Material description	available for order	Wear part	Recomm. sp. part	Metr. relevance
38201391000	1	Accessories Kit for automatic Slicer				

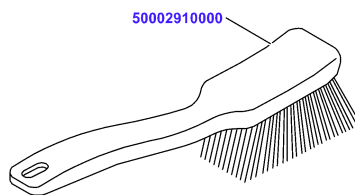
# Accessories Kit for automatic Slicer



38202613000



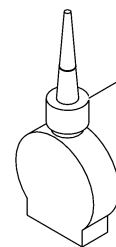
60220007500



50002910000



40950000176

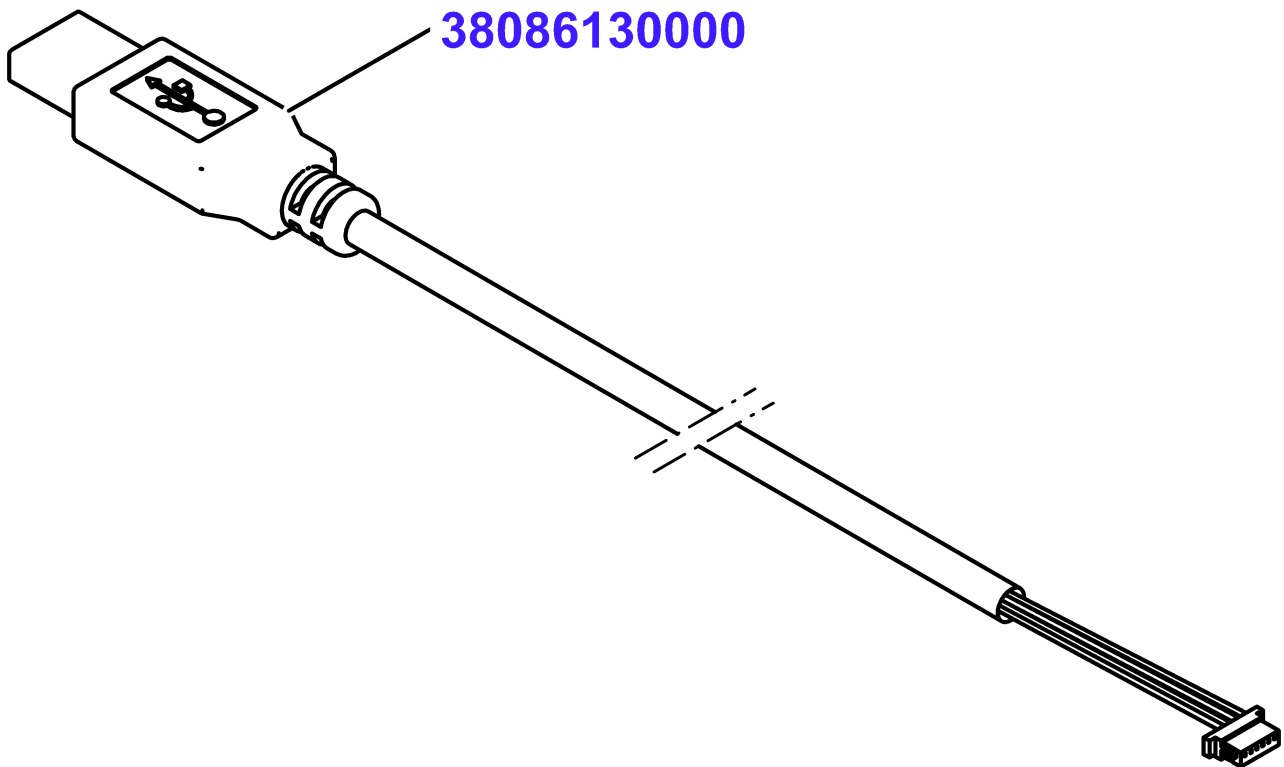


95900601030

## Accessories Kit for automatic Slicer

Material No.	Qty	Material description	available for order	Wear part	Recomm. sp. part	Metr. relevance
<a href="#">38202613000</a>	1	Cloth bag with plastic mesh "Bizerba"				
<a href="#">95900601030</a>	1	Machinery oil H1 30ml				
<a href="#">40950000176</a>	1	Brush 160x16				
<a href="#">60220007500</a>	1	Paper Felt				
<a href="#">50002910000</a>	1	Hand Brush 6-Row 110X290X30				

## VSI calibration touch controller



# VSI calibration touch controller

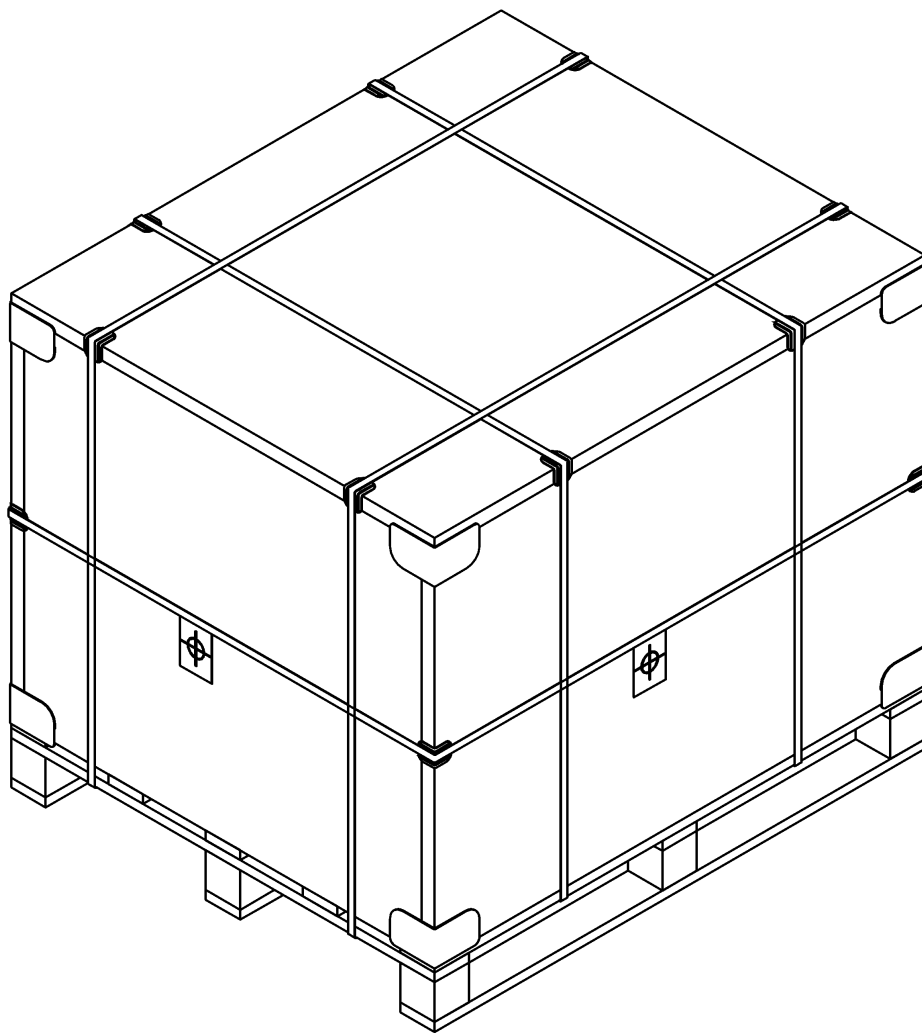
Material No.	Qty	Material description
<a href="#">38086130000</a>	1	Ka Rd 4xAWG28 0,25m

available for order
Wear part
Recomm. sp. part
Metr. relevance



## Packaging

**38019528002**



# Packaging

Material No.	Qty	Material description
<a href="#">38019528002</a>	1	Packing VSI short

available for order

Wear part

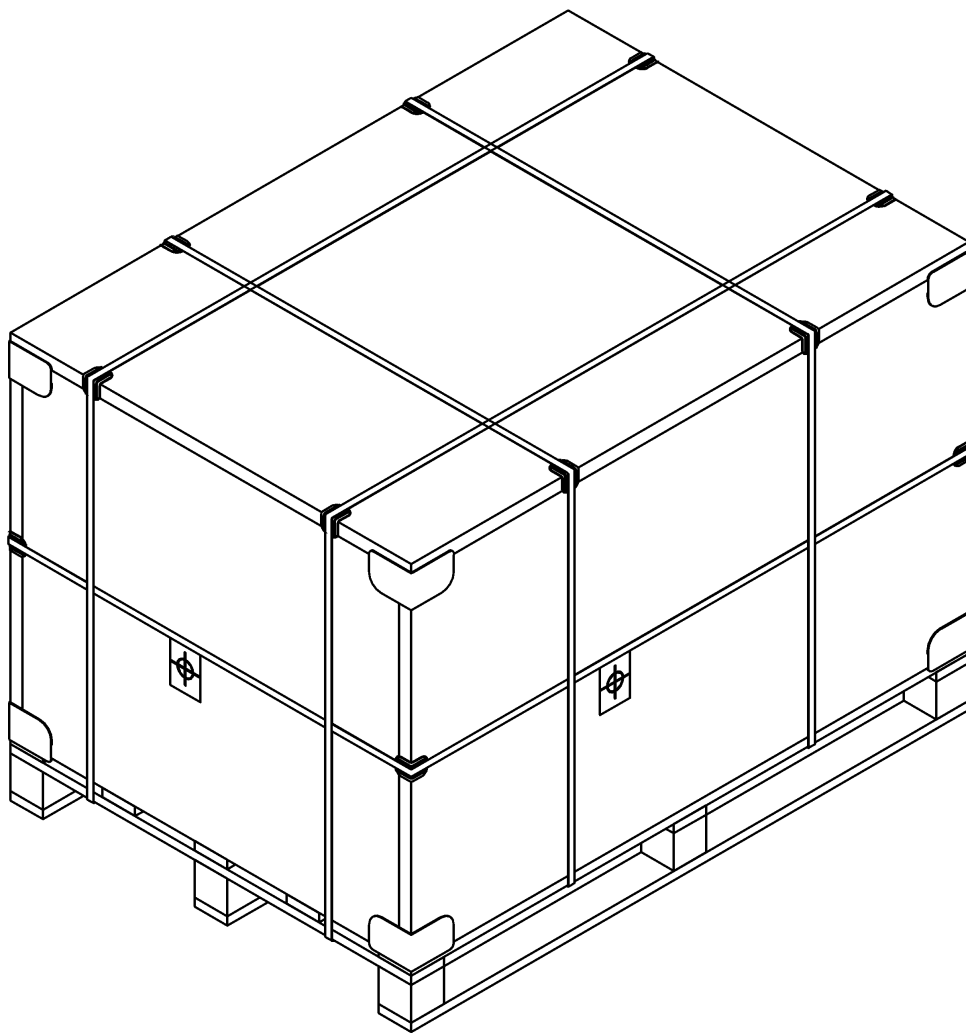
Recomm. sp. part

Metr. relevance



## Packaging

**38019533002**



# Packaging

Material No.	Qty	Material description
<a href="#">38019533002</a>	1	Packing VSI long

available for order

Wear part

Recomm. sp. part

Metr. relevance



# Index

Material No.	Material description	Page
38000471000	Cover Motor Tower	69, 93, 119, 143
38000944000	Shim ring DIN988-14x20x0,15	785
38001641000	Ka Li BK 1qmm 0,080m	13
38002106000	Shoring bolt	195
38003999001	Stand mobile VSI cpl	827
38004459000	Loctite 648	59, 109, 257, 259, 261, 267, 271, 333, 339, 343, 361, 367, 371, 593, 623, 637, 643, 651, 657, 789, 839, 843
38006437000	Lock nut DIN985-M3-A2	777
38006643000	Plain bearing 10x12x12	343, 371
38007001001	Axis 18x342	377, 405, 433, 459, 485, 515
38007390001	Holder welded	333, 361
38007397000	Cantilever welded	333, 361
<a href="#">38007856003</a>	Latch 17x50,5x30,4	247, 249
38007880000	washer	247, 249
38007909001	Fixing bolt	257
38008010001	Plate 41x26x8	189
38008439000	Sealing washer M6	321, 349, 377, 405, 433, 459, 485, 515
38008604000	Cover disc 18x8	819, 823
38008682000	cover disc long	819
38008889001	Mounting Plate cpl	791
38009292001	Slider prem	741
38009448003	Distance Bolt 10/12x65,5 M12x1-M5	255
38009593001	Axis	271
38009906000	handwheel	821, 825
38009954000	bearing bolt	821
38009954001	Bearing bolt KU - 22x27,7	825
38010120001	Counterbearing	161
38010209000	Stop - Verwendung entfallen	819
38010259000	UVV Sharpener preass. GSP	819
38010259001	Sharpener preassembled UVV VSP/GSP/VS1	823
38010304000	Washer	821, 825
38010548000	Housing	821, 825
38010783000	pressure washer	271
38010816000	Flat spring 29,5x10x0,6	821, 825
38010967000	Sealing	61, 85, 111, 135, 553
38010980000	pressure spring	821, 825
38010995001	pressure spring	821, 825
38011230000	Board cpl	325, 355, 381, 411, 437, 465, 489, 521
38011932000	adjusting ring 18mm	271
38011966001	Distance bolt 10x60 M6-M6 In-Out	53, 79, 103, 129
38012119000	CANopen-Compact-Bus-Coupler BK5150	803
38012232000	Washer	593, 595
38012534004	Bearing bracket cpl	265
38012558000	Hexagon nut DIN439-M6-A2	821, 825
38012566003	Motric Slicing Thickness Adjustment VSI	267

# Index

Material No.	Material description	Page
38013117004	Terminal Front preassembled VSI	775
38013120001	switch gauge cleaning assembly	279
38013121001	switch gauge sharpen assembly	279
38013233000	Support	783
38013588002	Ka Rd 4x0,14qmm 1,65m	807, 809
38013665005	Ka Rd 12x24AWG 0,87m	335, 363, 391, 419, 445, 471, 497, 527
38014178004	Ka Rd 5G0,5 1,25m	761
38014185002	Ka Rd 3x2x0,25 0,97m	761
38014190000	Retaining washer S6-A2	63, 87, 113, 137
38014261002	Handle preass.	335, 363, 391, 419, 445, 471, 497, 527
38014393000	EAC mark	885
38014393001	Plate EAC mark	887
38014449001	Lock	597
38014495000	Patchcable Cat 5e U-UTP UL 1,5m	765
38014578002	Light Barrier RK72/2 cpl. - AL Abgeküнди	707
38014634002	Lock cpl	595
38014635001	Fastener	597
38014777003	Light Sensor HRTR 55/22-XL 1,8m cpl.	717
38014989000	Sticker "See instruction manual"	889
38015344002	Netting Ribbon	633
38015379002	Cover preass.	553
38015882000	Product Holder Guide	337, 365
38015887001	Side Cover left	337, 339, 365, 367
38015888001	Side Cover right	337, 339, 365, 367
38016222002	Bar	339, 367
38016484000	Cradle Clip C3	13, 53, 79, 103, 129, 165
38016488000	Retaining Ring R3	13, 53, 79, 103, 129, 165
38016956002	Beam with studs	279
38017656000	Warning plate	891
38017686000	Holder Light Barrier preass	707, 711, 717
38017809000	Flexcable FFC 20pol 342mm	549
38018276000	Shim ring DIN988-30x42x0,2	193
38018499000	Thread Bolt	549
38018660001	Magnet preass	335, 363, 391, 419, 445, 471, 497, 527
38019042000	Ka Li BK 0,200m	757
38019528002	Packing VSI short	925
38019533002	Packing VSI long	927
38019687000	Location bolt HD 16x10,9 K	257
38019763000	Comp. spring 28x24,8x68,5x11,65-0,89	271
38019897002	Plastic roller cpl	733
38020950000	Mushroom head screw M6x25-A2-70	155
38021201000	Wing screw M6x10-1.4308	333, 361
38021669000	Threaded flange bolt	783
38022317001	light barrier RK72/2	709
38022317002	Light barrier Niro assembled VSI	713
38022324001	light sensor HRTR 55/22-XL 1,8m	719

# Index

Material No.	Material description	Page
38022377001	Drive Part cpl	593
38022819000	Mushroom head bolt DIN603 M6x40-A2-70	785
38022882001	Connecting Rod preass	785
38022925005	Bearing bracket preass	271
38022927000	Supporting Plate preass	569, 579
38023437000	Grooved Ball Bearing 608 2RSVA with Barr	733
38023683000	Thermal Pad 38x52x0,2 pink	15
38023711001	Toothed Belt STS 200 HP S5M 1000 NG	291, 297
38023722000	Netting Ribbon	631
38023725000	Netting Ribbon	683, 687, 693
38023910001	Option Scale Terminal bottom cpl	793
38023910002	Option Scale Terminal bottom cpl	795
38025716000	stop pin	235, 239
38025717003	Blade Removing Bolt preassembled	235, 239
38026188000	Plain bearing 18x20x15	343, 371
38028810000	adjusting bolt	261
38029152000	seal CT501	763
38029603000	Protective plug 7x3,2x1,3-PE	159, 167
38030419000	thrust washer	63, 87, 113, 137
38031197001	Thread Bolt M4	51, 65, 67, 77, 89, 91, 101, 115, 117, 127, 139, 141
38032111003	Lever	279
38033279003	Fixing Block	273
38033783001	Torsion Spring 13,4x5,1x1,2x15/20	501, 531
38034181000	Driver premounted	273
38036025000	Motor VS 12 DRS 100V/50HZ thermal prot.	197
38036193002	Cylinder screw DIN912 M10x30-A2-70	265
38038401000	washer	395, 423, 449, 475, 509, 539
38038403001	Bushing 19,1x10,7x5	395, 423, 449, 475, 509, 539
38038982000	Gripper Shaft cpl.	345, 373, 393, 421, 447, 473, 545
38038989000	Gripper Shaft cpl.	345, 373, 393, 421, 447, 473, 545
38038997000	Gripper Shaft cpl.	345, 373
38043011000	Torsion Spring	733
38044136001	Handle with screw M6 x 14,75	389, 417, 443, 469, 495, 525
38044231000	Protection Cap Flangehousing	53, 79, 103, 129
38045862000	Toothed washer DIN6797-A 6,4-A2	65, 67, 89, 91, 115, 117, 139, 141
38047246000	Protective plug 15x8x6,9-PE	157, 187, 189
38048104000	Oval-head screw ISO14583 M3x4-A2-70-T10	767, 775
38048118000	Oval-head screw ISO14583 M6x20-A2-70-T30	723
38048121000	Oval-head screw ISO14583 M6x30-A2-70-T30	825
38048122000	Oval-head screw ISO14583 M6x40-A2-70-T30	819, 823
38048278001	weighing cell with cable 1,30m	591
38049335000	Thermal Pad	15
38049597001	Top Hat Rail L250	805
38050013007	Bearing Pedestal	197
38050314000	Support motortower cpl	49, 75, 99, 125

# Index

Material No.	Material description	Page
38050614001	Motor Plate cpl	569
38050679005	Motor Long Carriage BG75x75	293, 297
38050732004	Depositing Arm Lever cpl.	783
38050845000	Deflector Ring	337, 365, 395, 449, 509
38050845001	Deflector ring 25x20,2x7	423, 475, 539
38051136003	Drive Shaft preass	633
38051137003	Bolt	633
38051150007	Conveyor Scale prem	589
38051154006	Carrier Sheet Metal	591
38051156002	Spacer	591, 593
38051157004	Distance	591
38051158002	Drive Part cpl	589
38051281003	Axis	591
38051316001	Netting Ribbon	665, 675
38051992001	Traverse cpl	623
38051993000	Traverse welded	627
38051994002	Shackle	627
38052106002	Shaft	159, 167
38052243001	Sliding Bolt mount.	637, 643, 663, 673
38053881002	Bolt 14f8 x 48	555
38053882002	Eccentric Bolt 15f8 x 48	551
38053903002	Clamping Plug	549
38053906004	Guide rail 28 x 15 x 400	549
38053907002	eccentric	549
38053929003	Stop Bolt	335, 363, 391, 419, 445, 471, 497, 527
38053930002	Shaft 12f7 x 115	549
38053945001	Board	325, 355, 381, 411, 437, 465, 489, 521
38053947001	Mounting with Shaft	333, 361
38053948002	Flange	323, 353, 379, 409, 435, 463, 487, 519
38053972002	Guide Rail 400er	323, 353, 379, 409
38054087002	Mounting Bracket	63, 87, 113, 137
38054089002	cover inside	61, 85, 111, 135
38054098002	Seal	61, 85, 111, 135
38054179000	Set screw DIN438 M8x10-A2-70	339, 367, 395, 423, 449, 475, 509, 539
38054234003	Sealing	557
38054302000	Gasket	331, 351, 387, 407, 441, 461, 493, 517
38054363001	Guide roller cpl	291
38054363002	Guide roller cpl	297
38054394001	Conveyor Belt 256mm Flat Belt 30mm cpl	599
38054461000	Plate	331, 351, 387, 407, 441, 461, 493, 517
38055215003	Bolt	741
38055298006	Plate	737
38055378004	Hexagon nut	335, 363, 391, 419, 445, 471, 497, 527

# Index

Material No.	Material description	Page
38055775001	Conveyor Drive internal cpl.	561
38056198003	Bearing Bushing preass	785
38056448003	Coupling Element	625, 631, 633, 637, 643, 653, 659, 665, 675, 683, 687, 693
38056697005	Depositing arm cpl	787
38056916001	stop cpl	785
38057018000	Protective cap AK22RRSW	759, 761
38057041000	Set screw ISO4026 M6x30-A2-70	267
38057360002	Bolt cpl	339, 367
38057374000	Hexagon nut ISO7042-M10-St	265
38057528001	Cover 255,4x177,4x2	323, 353, 379, 409
38057548001	Seal	325, 355, 381, 411, 437, 465, 489, 521
38057559001	Seal Cover	323, 353, 379, 409
38057598000	Ka Li GN/YE AWG18 0,22m	51, 77, 101, 127
38057643002	Plate	187, 189
38057723003	Cover 378x119,1x2	435, 463, 487, 519
38057735002	Guide Rail 600er	435, 463, 487, 519
38057740001	Seal long	435, 463, 487, 519
38057747002	Threaded Bolt M12x1x14	275
38057764007	Terminal Mounting Kit top cpl.	743
38057765005	Terminal Front cpl.	745
38057765006	Terminal Front cpl. VSI	747
38057769005	Terminal Mounting Kit bottom cpl	749
38057770003	Distance Piece	761
38057976000	K-Bus Termination Fitting KL9010	803
38058121002	Bolt 15 x 25	291, 297
38058149000	2-Channel Digital Output Terminal 24VDC	803
38058151000	2-Channel Digital Input Terminals 24VDC	803
38058289002	Sealing	55, 81, 105, 131
38058409002	Sheet 90x38,5x3	645, 677, 699
38058484000	Hexagon screw DIN933 M5x55 A2-70	761
38058899005	Mounting Conveyor Scale cpl	563
38058901002	Sealing	553
38058905002	Cover	553
38058934000	Drive Roller preass	631, 637, 643, 653, 659, 665, 675, 683, 689, 695
38058941000	Light Barrier with Holder cpl	701
38058941001	Laser Light Barrier with Holder cpl	703
38058944002	Conveyor Belt cpl	623
38058945001	Drive Roller preass	625
38058974001	Tappet	735
38058976006	Slider Mounting cpl	735
38058991000	Slider cpl	735
38058995003	Bushing	733
38059010003	Catching Bolt	53, 79, 103, 129
38059015006	Slider Mounting	737
38059167000	Comp. spring 9,5x7,7x43x13,49-0,86	741
38059616003	Terminal Front and CPU	763, 765

# Index

Material No.	Material description	Page
38059616004	Terminal Front and CPU VSI	771, 773
38059871001	Gasket	295, 299
38060032001	Sealing	57, 83, 107, 133
38060110003	Setup preass.	177
38060116002	Cover Drivehousing prem	51, 77, 101, 127
38060163002	Sealing	323, 353, 379, 409, 435, 463, 487, 519
38060260002	Frame with Installation Bars	183
38060298004	Cover 472x557	185
38060313005	Cover prem.	183
38060321002	Sealing	185
38060561000	Screw seal M6	177
38061363001	Cover Motor Tower prem	65, 67, 89, 91, 115, 117, 139, 141
38061364002	Sealing	69, 93, 119, 143
38061502003	Holder	339, 367
38061585002	sealing	323, 353, 379, 409, 435, 463, 487, 519
38061617001	Sealing	161
38061640001	Mounting welded	389, 417, 443, 469, 495, 525
38061810001	Screw Nut	339, 367
38062047012	Frame cpl. VSI	733, 735
38062109001	Distance Piece	733
38062958001	Spacer	485, 515
38062959002	Angle	485, 515
38063150004	Ka Rd 5G0,5 1,65m	757
38063163003	Ka Rd 4x0,14 1,30m	803
38063164003	Ka Rd 4x0,14 1,15m	807, 809, 811, 813
38063176002	Ka Rd 4x0,14 0,66m	73, 97, 123, 147
38063180003	Ka Rd 4x0,14 1,05m	73, 97, 123, 147
38063189004	Ca Rd 2x0,75 0,29m	73, 97, 123, 147
38063227003	Ka Rd 8x2x0,14 0,50m	73, 97, 123, 147
38063233002	Ka Rd 2x0,75 0,77m	73, 97, 123, 147
38063236004	Ka Rd 3x2x0,25 1,35m	757
38063237004	Ka Rd 2x2x24AWG 0,87m	73, 97, 123, 147
38063238003	Ka Rd 2x2x24AWG 0,29m	73, 97, 123, 147
38063240003	Ka Rd 2x2x24AWG 0,15m	803
38063245003	Ka Rd 4x0,14qmm 0,70m	811, 813
38063248003	Ka Rd 2x0,34 1,05m	73, 97, 123, 147
38063249007	Ka Rd 2x2xAWG26 0,38m	73, 97, 123, 147
38063261002	Sensor product feeding 1 VSI	325, 355, 381, 411, 437, 465, 489, 521
38063262003	Sensor product feeding 2 VSI	325, 355, 381, 411, 437, 465, 489, 521
38063351002	Screw	265
38064093000	Light Sensor with Holder cpl	705
38064354002	Gauge plate base preass	265
38064470008	Gauge plate drive VSI cpl	263
38064488002	Connector ribbon cable	61, 85, 111, 135

# Index

Material No.	Material description	Page
38064575002	Carry Handles Set VSI	23
38064629002	Motor cpl	193
38064681005	Depositing Drive cpl	781
38065411000	Clamp cpl	197
38065468002	Belt Pulley Z 42 HTD 3M	723
38066055001	tube	63, 87, 113, 137
38066374001	Chain	735
38066532000	Cable set standard	49, 75, 99, 125
38066789001	USB-Socket RRJ USB 0.28m	759, 761
38066866001	Tappet	193
38067026001	Depositing Magnet	783
38067150000	Patchcable 3,0m CAT6a AWG27 halogen-free	751
38067162000	Patchcable 5,0m CAT6a AWG27 halogen-free	753
38067253003	Stop	553
38067775000	Blade 330 C Slayer	199
38067777001	Blade 330 C Slayer Service	201
38067989000	O-ring 58,42x2,62 NBR	195
38068508001	Adaption bolt	271
38068570004	Hexagon Screw M16xM10x30	551
38068904003	Housing, display 260,4 x 161,3 x 80,3	759, 761
38068925000	Cylindrical pin EN 22338-3m6x6-A2	653, 659, 683, 687, 693
38069023001	Holding Block	557
38069189002	Bushing	591
38069192002	Bolt	591
38069228005	Mounting Plate	591
38069275002	Distance M8	591
38069426002	flange	293, 297
38069427002	Traverse	293, 297
38069450003	Mounting Kit top cpl	757
38069718003	Plate 107x54x20	593, 595
38069774003	Bolt	593, 595
38070049001	Washer	593, 595
38070066001	Cover	53, 79, 103, 129
38070080000	Washer	325, 355, 381, 411, 437, 465, 489, 521
38070090000	Sealing	325, 355, 381, 411, 437, 465, 489, 521
38070318002	Locking axle 16x295	595
38070456001	Axis 265x12	639, 647, 667, 671
38070559002	Handle preass	163
38070606000	Cover prem	53, 79, 103, 129
38070612003	Beam preass	267
38070632001	Axis	595
38070661001	Sealing	591
38070669001	lever	279
38070671002	Support rail	267
38070904002	Spacer	267
38071042000	Hexagon screw DIN933 M5x25 A2-70	339, 367, 399, 427, 453, 479, 513, 543

# Index

Material No.	Material description	Page
38071078000	bar	343, 371
38071104001	Bottom Plate with Installation Bars	179
38071144001	Mounting Plate	805
38071145001	Protection Plate	65, 67, 89, 91, 115, 117, 139, 141
38071250000	Nut	819
38071339002	Handle long preass	163
38071862000	brake pad	345, 373, 393, 421, 447, 473, 545
38072057000	Washer DIN125-A-4-PA6	325, 355, 381, 411, 437, 465, 489, 521
38072286002	Sealing	179, 183
38072508000	O-ring 10x1,5 NBR	731
38072779000	Pulley cpl	633
38073996000	Distance bolt SW7x6 M4-M4 In-Out	325, 355, 381, 411, 437, 465, 489, 521
38074013000	Shim ring DIN988-25x35x0,1	323, 379, 435, 487
38074016000	Warning Label Danger of Cuts SL50mm	893
38074804001	Ca Rd 2x0,75qmm 0,45m	13
38074856000	Feeder Adapter	507, 537
38075057000	Hexagon Screw DIN 933 M6x45-A2-70	63, 87, 113, 137, 269, 271
38075271000	guide sign risk to cut BRA	895
38075543000	Mounting Pin	339, 367, 395, 423, 449, 475, 509, 539
38075547000	Parallel Pin 8x15	339, 367, 395, 423, 449, 475, 509, 539
38077052000	Screwless End Clamp	803, 805
38077279000	Disk	255
38077330002	Cover disk 35f8x26x1,5	551
38077332003	Thrusted washer 13,8x8,2x0,18	255, 733
38077348000	Disk	255
38077825000	Shim ring DIN988-3x6x0,2	783
38077829000	Shim ring DIN988-3x6x0,1	783
38077837000	Brake Pulley	255
38077867000	Magnet Base	339, 367, 395, 423, 449, 475, 509, 539
38078017000	Knurled Nut M10	265
38078110000	Washer	265
38078138000	Set screw ISO4026 M10x60	265
38078241000	Gear Wheel	323, 353, 379, 409, 435, 463, 487, 519
38078918000	Hexagon Screw M4x8 A2-70 rounded head	733
38079006000	Screw Plug Motor cpl	25
38079007000	Screw Plug Light Barrier cpl	27
38079008001	Screw Plug Machine Housing cpl	29
38079016000	Screw Plug Drive Housing cpl	31
38079079000	Driver	733
38079377000	Warning Label max Product weight	897
38079863001	Castor cpl	843
38079967000	Option I/O-Module	797

# Index

Material No.	Material description	Page
38080079000	I/O M12 Connector	803
38080235000	Thread Bushing M30 x 40 x M24	839, 843
38080336000	Blade 330 Cr Chiaravalli Service	203
38080797000	Star Knob	731
38080913000	Fastener	719
38080991001	Shaving Deflector	727
38081323000	Sleeve Bearing 1012-5	625, 631, 633, 637, 643, 651, 653, 657, 659, 665, 675, 681, 683, 687, 693
38082171000	Fastening Clip 3mm closed metal	51, 77, 101, 127
38082384000	Carriage Plate 400 preass	321, 349
38082423000	Clamping plate	731
38082427000	Carriage Plate 400 preass	377, 405
38082431000	Carriage Plate Template preass	433, 459, 485, 515
38082477001	Carriage 600 cast machined	435, 437, 487, 489
38082477002	Carriage Carrier 600 machined	463, 465, 519, 521
38082541001	Carriage 600 cpl.	433, 485
38082541002	Carriage 600 premounted	459, 515
38082643004	Stand mobile cpl	829
38082662004	Stand welded	839, 843
38082722002	Carriage 400 Cast machined	323, 379
38082722003	Carriage Carrier 400 machined	355, 411
38082723001	Carriage 400 cpl	321, 377
38082723002	Carriage 400 premounted	349, 405
38082937000	Lever compl for the Product Holder	337, 365
38082945001	Product Holder folding upwards preass.	321, 349
38082955000	Product Supporter horizontal cpl	321, 349
38083015000	Protective Hood VSI	915
38083128001	Shaft preassembled	731
38083132001	Product Holder cpl. VSI	303, 377, 405, 433, 459
38083154002	Lever	835, 845
38083162002	Product Supporter top NSF cpl	377, 405, 433, 459, 485, 515
38083190001	Lever cpl.	833, 843
38083207002	Stand stationary cpl	831
38083256000	Protective plug 17,1x16,2x8-PE	255
38083947000	Distance bolt SW7x45 M4-M4 In-Out	13, 645, 677, 699
38084720001	Option Scale Terminal top cpl	799
38084720002	Option Scale Terminal top cpl	801
38084852000	Power Connection Cable AC EURO L2,5m cpl	849
38084853001	Power Connection Cable USA CAN cpl.	851
38084890000	Cap preass	335, 363, 391, 419, 445, 471, 497, 527
38086126000	Motor Product Feeding BG42x15 cpl	325, 355, 381, 411, 437, 465, 489, 521
38086130000	Ka Rd 4xAWG28 0,25m	923
38086177000	Covering Cap Set Carry Handles	33
38086202002	Name Plate VSI	879
38086259000	VSI calibration touch controller	917
38087414000	metal sheet insert cpl mach	485, 515

# Index

Material No.	Material description	Page
38087470000	Ka Li GN/YE AWG18 0,5m	177, 181
38087604000	Connector Metal Bayonett RJ45 Ethernet	53, 79, 103, 129
38088223000	Fastening Socket 9mm	65, 67, 89, 91, 115, 117, 139, 141
38088795002	Fastener welded for light barrier	713
38090248000	Magnet Vacodym 370 wz round 10x4 preass	339, 367, 395, 423, 449, 475, 509, 539
38091635000	Spirit Level preass	839, 843
38091889000	Power Connection Cable UK cpl.	853
38091890000	Power Connection Cable AU cpl.	855
38091891000	Power Connection Cable BR cpl.	857
38092188000	Blade 330 Groove Cr G&B - Service	205
38093076000	Packaging Stand mobile VSI cpl	843
38093077000	Packaging Stand stationary VSI cpl	839
38093126000	Bushing preass with Belt Pulley	569
38093767000	Wave Washer 36x25,2x3	343, 371
38095246000	Cable Fixing cpl.	35
38097458000	Plain bearing 25x32x30	551
38097519000	Sleeve 18 x 10 x 24.25	325, 355, 381, 411, 437, 465, 489, 521
38098148000	Microtriple-Reflector 20x40	645, 677, 699
38098326000	Power Connection Cable CH cpl.	859
38098327000	Power Connection Cable AR cpl.	861
38099340001	Carriage Plate welded	331, 351
38099345001	Carriage Plate welded	387, 407
38099348002	Carriage Plate welded	441, 461, 493, 517
38099356001	Holder preass.	393, 421, 447, 473, 545
38099371000	Bearing rail preass.	343, 371
38099374010	Rubber Buffer	551
38099376001	Handle	331, 351, 387, 407, 441, 461, 493, 517
38100135001	Flat Seal Carriage Plate 400	323, 353, 379, 409
38100136001	Flat Seal Carriage Plate 600	435, 463, 487, 519
38100408000	Product Holder cpl. Carriage guide ruler	485, 515
38100409000	Product Holder with guide feeder	507, 537
38100566000	Cable gland Skintop ST-M M16x1,5 black	871, 877
38100643003	Nameplate VSI F T BRA	883
38100974000	GS-Label Dim.2 NV 18011 / VSI	899
38100991000	Carriage Foot low hygienic mach	335, 363
38100993000	Carriage Foot high hygienic mach	391, 419, 445, 471, 497, 527
38101899000	Cap nut DIN986-M4-A2	235, 239, 637, 643, 651, 657, 665, 675, 681, 687, 693, 713, 763
38103271000	Packaging Stand mobile VSI cpl	833
38103321003	Blade Removal Device preassembled	231, 237
38103323001	Safety Disk 331,5x3	235, 239
38103348003	Blade removal device 330 V2A	233
38103372001	Cover	241
38103484000	Gear Wheel	323, 353, 379, 409, 435, 463, 487, 519

# Index

Material No.	Material description	Page
38103487000	Ring	329, 385
38103487001	Ring 12x20x15H7	359, 415, 439, 467, 491, 523
38103488000	feed spindle ass.	323, 379
38103488001	Feedspindle 521xTR20x12 ass.	353, 409
38104044000	Torsion spring left	395, 423, 449, 475, 509, 539
38104074001	Bolt NSF cpl	395, 449, 509
38104074002	Bolt NSF cpl	423, 475, 539
38104363000	Interlock	335, 363, 391, 419, 445, 471, 497, 527
38104587001	Feedspindle 721xTR20x12 ass.	435, 463, 487, 519
38104792000	Shim ring DIN988-10x16x0,1	733
38105040001	Product Holder Guide	395, 449, 509
38105040002	Product Holder Guide NSF	423, 475, 539
38105058001	Bushing 19,5/18x10,2x21	395, 423, 449, 475, 509, 539
38105330003	Ring plate	235, 239
38105347000	Parallel key DIN6885-A 5x3x14	323, 353, 379, 409, 435, 463, 487, 519
38105535000	Toothed belt 10 5x410	291, 297
38105667001	Blade 330 1.4034 HCov 2M6 Slayer	207
38105849000	Cap nut-M6 -1.4404	291
38106157000	Sealing Gauge Plate with Stiffening Ring	265
38106534000	Seal ring 18x14x2	257
38106634000	Lock nut ISO10511-M4-A4	247, 249, 757
38106851000	Power Connection Cable DK cpl	863
38106901000	Cover preassembled	237
38106905000	Centering Pin	241
38106967000	Distance Plate	235, 239
38107971000	Blade 330 Cr HCov 2M6 Chiaravalli	209
38107980000	Blade 330 HCov 2M6 Slayer Service	211
38109135000	Grooved nut M12 x 0.5	395, 423, 449, 475, 509, 539
38109636000	Shim ring DIN988-12x18x0,2	395, 423, 449, 475, 509, 539
38109639000	Safety plate DIN5406-MB1	395, 423, 449, 475, 509, 539
38109705000	Shaft seal 12x18x3	395, 423, 449, 475, 509, 539
38110921001	Blade Bearing one-piece cpl.	193
38111007000	Blade Drive one-piece VSI cpl.	191
38111119000	Blade 330 1.4034 HCov 2M6 Slayer Service	213
38111166000	Blade 330 1.4034 HCov Slayer	215
38111167000	Blade 330 1.4034 HCov Slayer Service	217
38111287000	Push button "Off"	777
38111298000	Push button "On"	777
38112254002	Setup w. Service Cover preass.	181
38112257000	Washer 14.15x24x1	785
38112386000	Product Holder Guide NSF cpl	377, 433, 485
38112386001	Product Holder Guide NSF cpl	405, 459, 515
38112388000	Holder	399, 427, 453, 479, 513, 543
38112404000	Spacer plate 40x40x10	339, 367, 399, 427, 453, 479, 513, 543
38112800000	Conveyor Drive internal 3,5Nm cpl	565
38112801000	Drive shaft with Belt Pulley S5M	579

# Index

Material No.	Material description	Page
38112803000	Motor Plate 3,5 Nm cpl	579
38112862001	Toothed belt pulley S5M Z16 10H7	581
38112875001	Toothed belt pulley S5M Z16 8G7	585
38112992000	Toothed belt 9 S5M5x400	579
38113203000	cover	395, 423, 449, 475, 509, 539
38113204000	Seal 47x40x1	395, 423, 449, 475, 509, 539
38113733000	Holder preassembled	395, 423, 449, 475, 509, 539
38115109000	Stranded Wire UL 1007/1569 AWG22 WH	715
38116413000	Plate 236 x 241 x 4	639, 647, 667, 671
38116429000	Conveyor Mounting cpl	635, 641, 661, 669
38116488000	Netting Ribbon 950 mm	637, 643
38116503000	Conveyor Belt 910 mm cpl	601
38116503005	Conveyor Belt 910 mm cpl.	603
38116514000	Spacer Sleeve 4,5 x 10 x 12	637, 651, 657, 665, 681, 687
38116663000	Mounting Conveyor cpl	567
38116704000	Conveyor belt 475 mm cpl	605
38116704005	Conveyor Belt 475 mm cpl.	607
38116705000	Conveyor Belt 475 mm prem.	635
38116705005	Conveyor Belt 475 mm prem.	641
38116711001	Side Part 475 x 40 x 4	637, 643
38116739001	Carriage Foot low cpl.	321, 349
38116768000	Gas pressure spring carriage 400 cpl	321, 349, 377, 405
38116888001	Carriage 400 with Peaks	305
38116888002	Clamping Carriage VSI 400	307
38116926002	Ledge preassembled 15 x 387,5	637, 643
38116938000	Bushing 30 x 10,15 x 88,6	631, 633, 637, 643, 651, 653, 657, 659, 665, 675, 681, 683, 689, 695
38116977001	Carriage Foot high cpl.	377, 405, 433, 459, 485, 515
38116978001	Carriage 400 NSF	309
38116978002	Carriage VSI 400 NSF	311
38117001000	Gas pressure spring carriage 600 cpl	433, 459, 485, 515
38117002002	Carriage 600 NSF	313
38117002003	Carriage VSI 600 NSF	315
38117005001	Carriage 600 template	317
38117005002	Carriage VSI 600 with guide ruler	319
38117157000	Conveyor Belt 720 mm cpl.	609
38117157001	Conveyor Belt 720 mm cpl.	611
38117158000	Conveyor Belt 720 mm prem.	649
38117158001	Conveyor Belt 720 mm pre.	655
38117181000	Side Part 720 x 73 x 4	651, 653
38117181002	Side Part 720 x 73 x 4	657, 659
38117186000	Axis 10 x 267,4	651, 657, 681, 689, 695
38117187000	Axis 10 x 264	653, 659, 683, 689, 695
38117194000	Ledge preassembled 435 x 15 x 5	651, 657
38117197000	Ledge preassembled 214 x 15 x 5	651, 657
38117225000	Netting Ribbon 1512 mm	653, 659
38117495000	Mounting 246 x 219 x 4	593

# Index

Material No.	Material description	Page
38117496000	Mounting 275,6 x 219 x 4	595
38117753001	Nut Plate TR20X12P4	339, 367, 399, 427, 453, 479, 513, 543
38117813000	Sheet Steel Angle 20x11,5x28x3	59, 109
38117826000	Threaded bolt DIN 913-M8x80-A2	193
38117959000	Traverse welded 200 x 265	649, 679
38117959001	Traverse welded 200 x 265	655, 685, 691
38118039000	Dummy plug hygienic BL-M M16x1,5 V4A	65, 67, 115, 117
38118122001	Side Part 950 x 40 x 4	663, 665, 673, 675
38118125002	Ledge preassembled 877 x 15 x 5	663, 673
38118128000	Conveyor Belt 910 mm prem.	661
38118128005	Conveyor Belt 910 mm prem.	669
38118259000	Ledge preassembled 284 x 15 x 5	633
38118261000	Conveyor Belt 325 mm cpl.	613
38118264000	Side Part 375 x 50 x 4	633
38118391000	Conveyor Belt 1165 mm cpl.	615
38118391001	Conveyor Belt 1165 mm cpl.	617
38118391005	Conveyor Belt 1165 mm cpl.	619
38118392000	Conveyor Belt 1165 mm prem.	679
38118392001	Conveyor Belt 1165 mm pre.	685
38118392005	Conveyor Belt 1165 mm prem.	691
38118444000	Side Part 1192 x 40 x 4	681, 683
38118444002	Side Part 1192 x 40 x 4	687, 693, 695
38118534000	Conveyor Belt 256 mm pre.	629
38118536000	Conveyor Belt 256 mm cpl.	621
38118537001	Side Part 290 x 40 x 4	631
38118625000	Traverse welded 110 x 265	629
38120349001	Sealing Cover 49 x 21	59, 109
38120405000	Label Softw. License Win Compact 2013 GE	767, 775
38120412000	Sheet adapter tensioning roller 138x18x5	651, 657, 681, 687, 693
38120416000	Axis 10 x 277	651, 657, 681, 689, 695
38120555001	Sealing Cover Compl.	51, 101
38122147000	Depositing Arm Lever soldered	785
38124200000	Hexagon nut DIN 439 B M16x1.5-A2	551
38127766000	Depositing Angle cpl.	789
38128953000	Plate 91x80x12x2	21
38129020000	Power Contactor preass.	13
38132202000	Lever with pin	343, 371
38132246000	Product supporter	259
38132247000	Product supporter cpl	257
38132268000	Grinder VSI F 330 cpl.	815
<a href="#">38132268001</a>	Grinder VSI 330 cpl.	817
38132271000	Adapter Grinder VSI 330	819, 823
38132485000	Washer 6,3x12x0,5	821
38132942000	Hexagon screw DIN 933 M8x28 A2-70	349, 405, 459, 515
38133055001	Blade Guard Ring preass	255
38133194000	Blade Guard Ring cpl	251
38133418001	Adjusting sleeve	257

# Index

Material No.	Material description	Page
38133684001	Plug-in support mounted	637, 643, 657, 665, 675, 687, 697
38134061000	Gauge plate	281
38134061002	Gauge plate	283
38134272000	Carriage drive cpl	289
38134272001	Carriage drive VSI cpl.	289
38134273000	Bearing housing cpl	291
38134273001	Bearing housing cpl	297
38134310000	Carriage guide cpl.	547
38134312000	Bearing block	549
38134318000	Carriage shaft 25x585,5	549
38134427000	Carriage guide preass.	549
38134447002	Adapter fixing	819, 823
38134448000	Adapter clamping	819, 823
38134476001	Distance bolt	551
38134696000	Fixation 35x15	733
38134745000	Mounting preass	257
38134781000	Deflector preass	253
38134782001	Deflector 330 machined	261
38135265001	Chain Drive Shaft cpl	723
38135266000	Driving Pin	725
38135457001	Cam Sleeve preass.	733
38138313001	Locking bolt	257
38138315000	Blade Guard Ring	257
38138652000	Chainframe stainless steel cpl. VSI	729
38138908000	Plain bearing w. flange 18x24x20x7	423, 475, 539
38139178000	Blade Cover preass	247
38139179000	Blade cover cpl.	243
38139207001	Housing Ti Dt	37
38139208001	Housing Ti Db	39
38139209001	Housing Te W Dt	41
38139210001	Housing Te W Db	43
38139231000	Motor Tower Db cpl	75, 125
38139233000	Motor Tower Dt cpl	49, 99
38139797000	Clamp piece	819, 823
38139804000	Steel star handle, cpl.	819
38139804001	Star knob GN 5342 M6 E	823
38139814000	Screw DIN963 M6x12-A2 - Precote 80-8	237, 435, 487
38140048002	Plug for 18x33	757, 761
38140148000	Blade 330 Cr 2M6 Slayer Service	219
38140323001	Drive Housing Ti Dt cpl	49
38140324001	Drive Housing Ti Db cpl	75
38140325001	Drive Housing Te W Dt cpl	99
38140326001	Drive Housing Te W Db cpl	125
38140340001	Machine Housing cpl.	49, 75, 99, 125
38140341000	Chaindrive preass	723
38140345000	Drive Chainframe cpl	721
38140909000	Toothed belt 9 HTD3x267	723

# Index

Material No.	Material description	Page
38140910000	Blade cover cpl. C	245
38140911000	Blade Cover preass C	249
38140919000	Seal ring 14x8x5.1	257
38140932000	Gauge plate C	285
38140932001	Gauge plate C	287
38144362000	Plate Kit T	169
38144363000	Plate Kit T light	171
38144367000	Set up VSI cpl.	173
38144368000	Setup VSI w. Service Cover cpl	175
38145487000	Fixing axis scale cpl.	45
38145488000	Fixing Axis cpl.	47
38145491000	Shaft Bearing	159, 167
38146758001	Cover bracket	557
38147263000	Contactora 100-250 AC/DC 4 kW	21
38150424000	Ca Rd 3G1,00 2,5m Typ M	873, 875
38151086000	Power Connection Cable IN cpl.	865
38152676000	Power Connection Cable ZA cpl. Type M	867
38154757000	Pad HT 4344-101-00	777
38155536000	Plate Made in Germany 60x10	901
38159844000	Power Cable Plugtype B 3xAWG18 BK 2,5m	871
38163552000	Screw simil. DIN 968 A2 C3,5 x 16 TX15	823
38165868000	Hygienic Cap Nut M6 with Precote 30-8	61, 85, 111, 135, 297
38169040000	Power Supply 100-240V cpl	11
38169094000	Prog.+Power Supply 100-240V+Wärmepad	13
38170551000	Blade 330 Cr HCov Slayer	221
38170552000	Blade 330 Cr HCov Slayer Service	223
38171086000	Security block - Drive roller	301
38171107000	Security block - Guide roller	299
<a href="#">38172822000</a>	Power Cable Plugtype B 3xAWG18 YE 2,5m	877
38175831000	GS-Label Dim.2 NV 21123 /VSI F, VSI F T	903
38177171000	Terminal Mounting Kit top preassy.	757
38177210000	PowerCable USA CAN cpl high-strength VSI	869
38177230000	Carriage drive motor preassy.	291
38177239000	Counterbearing preassy.	159
38178095000	Sticker identification scale 1g 2kg	905
38183108000	Shaft 12x59,5	825
38183825000	Shaft 12x56	825
38197255000	Microtriple-Reflector 20x40 pre mounted	643, 675, 697
38197264000	Light barrier compl. Cabel 1450 mm	711
38201391000	Accessories Kit for automatic Slicer	919
38202613000	Cloth bag with plastic mesh "Bizerba"	921
38900034000	Set screw DIN916 M5x6-A2-50	713
38900044000	Shim ring DIN988-6x12x0,5	279
38900056000	Oval-head screw DIN7985 M6x30-A2-70	821
38900060000	Washer DIN125-A-3,5-A2	819
38900065000	Cylinder screw DIN912 M6x22-A2-70	785
38900100000	Plain bearing w. flange 12x18x14x4	423, 475, 539
38900124000	Cylindrical pin EN 22338-8m6x40-A2	507, 537

# Index

Material No.	Material description	Page
38900186000	Cylindrical pin DIN7-4m6x28-A2	333, 361
38900192000	Set screw ISO4026 M3x3-A2-70	273
40110201002	Washer 40x18,15x1 - POM	343, 371
40110201009	Washer	343, 371
40220000202	Plug Black 16x6,5x12,2 Knurled	247, 249
40220102500	roller	551
40220601100	Locking washer 11x5,4x1,5	821, 825
40223507600	Blade 330 Cr HCov G&B	225
40300900006	slide pin	731
40510200086	Pressure spring	345, 373, 393, 421, 447, 473, 545
40510200211	tension spring	343, 371
40510400159	pressure spring	333, 361
40530203201	push button	347, 375, 393, 421, 447, 473, 545
40530203302	sliding piece	393, 421, 447, 473, 545
40530203400	buffer	333, 361
40950000176	Brush 160x16	921
46121300020	PRESSURE SPRING 6121300020	333, 361, 651, 681
50001990000	O-ring DIN3771 10x2 NBR	159, 167
50002050000	O-ring DIN3771 27,5x2 NBR	725
50002060000	O-ring DIN3771 37,82x1,78 NBR	59, 109, 761
50002420000	Protective plug 14,5x12,4x9,5-PE	789
50002910000	Hand Brush 6-Row 110X290X30	921
50003040000	Protective plug 11x5x6-PE	261
50003160000	Protective plug 5x3x5,8	709
50003410000	Wiper ring 30x20x7	323, 353, 379, 409, 435, 463, 487, 519
50003640000	O-ring DIN3771 6x1,5 NBR	153, 155, 181
50003880000	O-ring 16x3 EPDM	591
50005040000	Plain bearing w. flange 6x12x8x4	197
50009771000	V-ribbed belt 10 PJ 457	193
50009971000	conveyor belt	625
50010310000	Bizerba Lettering L255 H30	71, 95, 121, 145
50250100000	Grounding Plate 9x17/4.3 D	61, 85, 111, 135, 179, 185, 765
50281130000	Disc spring 12x4,2x0,5	159, 167
50305490002	V-Sealing Ring 25x33x7,5 coated	783
50373961000	Disc magnet 10x6	257
50383220000	Pivot foot 80x254-M24x222-10°	839, 843
50720010000	Castor With Pivot LEXZ-POT H 100 G-FI-WE	833
50720600000	Wheel 100x15x37-160	835, 845
50775950000	Toothed Belt 160XL-037	569
50828480000	Protective Plug 11.12249 PE-LD	255
51488600000	Warning Plate Hand Injury 7.29K	335, 363, 391, 419, 445, 471, 497, 527, 907
51977600000	Warning plate with danger arrow 50	65, 67, 89, 91, 115, 117, 139, 141, 909
56036120000	Set screw DIN551 M6x12-14H	343, 371

# Index

Material No.	Material description	Page
56047810000	Set screw DIN551 M8x16-PA 66	335, 363, 391, 419, 445, 471, 497, 527
56070490000	Set screw DIN926 M4x6-A2-70	733
56070510000	Set screw DIN926 M4x10-A2-70	725
56081060000	Set screw DIN916 M6x8-A2-70	275, 277
56081070000	Set screw DIN916 M4x6-A2-70	573, 577, 583, 587
56082150000	Set screw DIN438 M4x5-A2-70	161
56082290000	Set screw DIN438 M5x10-A2-70	339, 367
56083110000	Set screw ISO4026 M4x4-A2-70	273
56083130000	Set screw ISO4026 M6x45-A2-70	591, 593
56083140000	Set screw ISO4026 M5x12-A2-70	723
56083980000	Set screw DIN916 M6x12-A2-70	257
56086260000	Ball knob DIN319 M6x25 I	341, 369, 397, 425, 451, 477, 511, 541
56086270000	Ball knob DIN319 M8x32 I	345, 373, 393, 421, 447, 473, 545
56113920000	Wood screw DIN97-6x50-4.6	837, 841, 847
56164130000	Cylindrical pin EN 22338-4m6x12-A2	187
56187710000	Cylindrical pin EN 22338-4m6x8-A2	337, 339, 365, 367
56187730000	Cylindrical pin EN 22338-4m6x10-A2	593, 595
56187780000	Cylindrical pin EN 22338-4m6x6-A2	401, 403, 429, 431, 455, 457, 481, 483, 503, 505, 533, 535
56187830000	Cylindrical pin EN 22338-5m6x10-A2	337, 365, 401, 403, 429, 431, 455, 457, 481, 483, 503, 505, 533, 535
56187850000	Cylindrical pin EN 22338-5m6x16-A2	337, 365
56188280000	Cylindrical pin EN 22338-8m6x28-A2	335, 363, 391, 419, 445, 471, 497, 527
56243100000	Cylindrical pin EN 22338-3h11x10-A2	345, 373, 393, 421, 447, 473, 545
56265100000	Round-Head Nail DIN 1476-4x10-A2-70	343, 371
56285180000	Grooved Pin DIN 1469-C5x14-6.8	343, 371
56359540000	Grooved Pin DIN 1473-4x6-A2-70	735
56360600000	Grooved ball bearing DIN625 10x26x8	323, 353, 379, 409, 435, 463, 487, 519
56360910000	Grooved ball bearing DIN625 10x26x8	625
56366420002	Self-Aligning Ball Bearing 2202	323, 353, 379, 409, 435, 463, 487, 519
56368320002	Angular bearing double-row 15x35x15,9	323, 353, 379, 409, 435, 463, 487, 519
<a href="#">56386060000</a>	Ball DIN5401 6-1.4034	333, 361, 651, 681
56400810000	Lock nut DIN985-M2,5-St	783
56400850000	Lock nut DIN985-M5-A2	501, 531
56400860000	Lock nut DIN985-M6-A2	197, 255, 267, 271, 785
56400880000	Lock nut DIN985-M8-A2	193, 271, 551
56400890000	Lock nut DIN985-M4-A2	625
56413040000	Cap nut DIN917 -M4-A2	709, 719
56413060000	Cap nut DIN917-M6-A2	595
56413080000	Cap nut DIN917-M8-A2	591, 593, 595
56420160000	Cap nut DIN986-M6-A2	241, 321, 331, 349, 351, 377, 387, 405, 407, 433, 441, 459

# Index

Material No.	Material description	Page
56420160000	Cap nut DIN986-M6-A2	461, 485, 493, 515, 517, 629, 635, 641, 649, 655, 661, 669, 679, 685, 691
56435660000	Knurled nut DIN467-M6-A2	267, 271
56444600000	Hexagon nut DIN439-M6-A2	63, 87, 113, 137, 153, 235, 239, 273
56444800000	Hexagon nut DIN439-M8-A2	335, 363, 391, 419, 445, 471, 497, 527
56453130000	Thread insert M5x7,5-A2	323, 379, 435, 463, 487, 519
56453180000	Threaded insert M6x9	325, 381, 437, 465, 489, 521
56453260000	Threaded insert M10x10	53, 79, 103, 129
56455430000	Hexagon nut DIN934-M4-PA 66	63, 87, 113, 137
56456300000	Hexagon nut DIN934-M3-A2	719
56456400000	Hexagon nut DIN934-M4-A2	21, 179, 185
56456600000	Hexagon nut DIN934-M6-A2	155, 235, 239, 267
56456800000	Hexagon nut DIN934-M8-A2	339, 343, 367, 371, 395, 423, 449, 475, 509, 539, 783
56456820000	Hexagon nut DIN934-M10-A2	265
56472220000	Hexagon nut DIN439-M12x1-A2	255
56472590000	Hexagon nut DIN439-M8x1-A2	273
56472600000	Hexagon nut DIN439-M10x1-A2-70	337, 365
56709980000	Shim ring DIN988-14x20x0,1	785
56739030000	Washer DIN125-A-3-A2	719
56739040000	Washer DIN125-A 4.3-A2-70	51, 61, 65, 67, 77, 85, 89, 91, 101, 111, 115, 117, 127, 135, 139, 141, 179, 185, 255, 325, 333, 339, 355, 361, 367, 381, 395, 411, 423, 437, 449, 465, 475, 489, 509, 521, 539, 625, 709, 719, 735
56739050000	Washer DIN125-A-5-A2	339, 367, 399, 427, 453, 479, 513, 543
56739060000	Washer DIN125-A-6-A2	193, 197, 255, 267, 331, 343, 351, 371, 387, 407, 441, 461, 485, 493, 515, 517, 553, 591, 593, 595, 723, 733, 819, 821
56739080000	Washer DIN125-A-8-A2	49, 75, 99, 125, 193, 267, 321, 337, 365, 549, 551, 593, 595
56739100000	Washer DIN125-A-10-A2	265, 835, 845
56739130000	Washer DIN125-A-12-A2	255
56755620000	Washer DIN433-10-PA66	731
56755650000	Washer DIN433-6-A2	821, 825
56765040000	Washer DIN9021-4-A2	247, 249, 551, 733
56765050000	Washer DIN9021-5-A2	13, 623, 627, 819
56765060000	Washer DIN9021-6-A2	161, 291, 297, 331, 351, 387, 407, 441, 461, 493, 517, 569, 579, 593, 595, 651, 657, 681, 687, 693, 785
56765070000	Washer DIN 9021-8-A2	591, 593, 595
56767060000	Washer DIN7349-6-St	255
56777410000	Screw seal M4	179, 185, 557

# Index

Material No.	Material description	Page
56778060000	Washer 6-A2	629, 649, 655, 679, 685, 691
56805541000	Oval-head screw ISO14583 M5x8-A2-70-T25	61, 85, 111, 135
56806411000	Oval-head screw ISO14583 M4x6-A2-70-T20	279, 325, 353, 355, 381, 409, 411, 437, 463, 465, 489, 519, 521
56806450000	Oval-head screw ISO14583 M4x8-A2-70-T20	13, 51, 53, 65, 67, 77, 79, 89, 91, 101, 103, 115, 117, 127, 129, 139, 141, 765, 767, 775, 783
56806460000	Oval-head screw DIN7985 M4x16-A2-70	275
56806540000	Oval-head screw DIN7985 M5x12-A2-70	177, 181
56923300000	Counter Sunk Screw DIN 964-M4x30-A2-70	707, 717
56972480000	Mushroom head screw M4x8-A2-70 Tuflok	53, 79, 103, 129, 323, 353, 379, 409, 435, 463, 487, 519, 731, 733, 735
56972500000	Mushroom head screw M4x12-A2-70	51, 65, 67, 77, 89, 91, 101, 115, 117, 127, 139, 141, 235, 239
56972540000	Mushroom head screw M4x10-A2-70	235, 239, 737
56972610000	Mushroom head screw M5x6-A2-70	839, 843
56972770000	Mushroom head screw M6x10-A2-70	153, 177, 181, 433, 459
56972790000	Mushroom head screw M6x16-A2-70	591, 597
56984520000	Pan head screw DIN923 M5x4A2-70	335, 363, 391, 419, 445, 471, 497, 527
57340210000	Hexagon screw DIN933 M3x20 A2-70	719
57429080000	Hexagon screw DIN933 M4x8 A2-70	53, 79, 103, 129, 553, 557, 735
57429100000	Hexagon screw DIN933 M4x10 A2-70	335, 363, 391, 419, 445, 471, 497, 527, 719
57429120000	Hexagon screw DIN933 M4x12 A-70	299, 551
57429160000	Hexagon screw DIN933 M4x16 A2-70	179, 185, 631, 633, 637, 643, 651, 653, 657, 659, 663, 665, 673, 675, 681, 683, 687, 693, 735
57429200000	Hexagon screw DIN933 M4x20 A2-70	339, 367
57429220000	Hexagon screw DIN933 M4x22 A2-70	637, 643, 651, 657, 665, 675, 681, 687, 693, 709
57429250000	Hexagon screw DIN933 M4x25 A2-70	709
57429350000	Hexagon screw DIN933 M4x35 A2-70	301
57430100000	Hexagon screw DIN933 M5x10 A2-70	183, 551, 553
57430120000	Hexagon screw DIN933 M5x12 A2-70	257, 395, 423, 449, 475, 509, 539, 623, 627
57430200000	Hexagon screw DIN933 M5x20 A2-70	325, 355, 381, 411, 437, 465, 489, 521
57431100000	Hexagon screw DIN933 M6x10 A2-70	591, 593
57431120000	Hexagon screw DIN933 M6x12 A2-70	325, 331, 351, 355, 381, 387, 407, 411, 437, 441, 461, 465, 489, 493, 517, 521, 593, 595
57431160000	Hexagon screw DIN933 M6x16 A2-70	161, 551, 553, 595, 629, 635, 639, 641, 647, 649, 651, 655, 657, 661, 667, 669, 671, 679, 681, 685, 687, 691, 693
57431200000	Hexagon screw DIN933 M6x20 A2-70	733

# Index

Material No.	Material description	Page
57431250000	Hexagon screw DIN933 M6x25 A2-70	549, 733
57431300000	Hexagon screw DIN933 M6x30 A2-70	485, 515
57431410000	Hexagon screw DIN933 M6x40 A2-70	593, 595
57432250000	Hexagon screw DIN933 M8x25 A2-70	549
57432300000	Hexagon screw DIN933 M8x30 A2-70	321, 377, 433, 485, 833, 839, 843
57433250000	Hexagon screw DIN933 M10x25 A2-70	835, 845
57442080000	Countersunk screw DIN7991 M4x12-A2-70	273
57442120000	Countersunk screw DIN7991 M6x12-A2-70	291, 297
57442170000	Countersunk screw DIN7991 M6x20-A2-70	187, 189, 293, 297
57442200000	Countersunk screw DIN7991 M8x20-A2-70	549
57450020000	Countersunk screw DIN965 M4x12-A2-70-T20	21
57450350000	Self-tap screw ISO7049-C3,5x16 A2-50-T15	819
57451370000	Oval-head screw ISO14583 M4x12-A2-70-T20	51, 65, 67, 77, 89, 91, 101, 115, 117, 127, 139, 141
57629520000	Countersunk screw DIN963 M5x10-A2-70	321, 323, 349, 353, 377, 379, 405, 409, 433, 435, 459, 463, 485, 487, 515, 519
57630420000	Countersunk screw DIN963 M4x8-A2-70	323, 353, 379, 395, 409, 423, 435, 449, 463, 475, 487, 509, 519, 539
57630430000	Countersunk screw DIN963 M4x10-A2-70	235, 239, 333, 361, 645, 677, 699
57630440000	Countersunk screw DIN963 M4x12-A2-70	343, 371, 625
57630500000	Countersunk screw DIN963 M4x30-A2-70	711
57630510000	Countersunk screw DIN963 M5x8-A2-70	623
57630530000	Countersunk screw DIN963 M5x12-A2-70	247, 249, 323, 353, 379, 409, 435, 463, 487, 519
57630620000	Countersunk screw DIN963 M6x12-A2-70	193, 321, 323, 331, 349, 351, 357, 377, 379, 387, 405, 407, 413, 433, 441, 459, 461, 463, 485, 493, 515, 517, 519
57697070000	Cylinder screw DIN84 M3x8-A2-70	53, 79, 103, 129
57697460000	Cylinder screw DIN84 M4x6-A2-70	645, 677, 699
57697470000	Cylinder screw DIN84 M4x8-A2-70	343, 371, 631, 637, 643, 651, 657, 681, 687, 697
57697480000	Cylinder screw DIN84 M4x10-A2-70	339, 367, 395, 423, 449, 475, 509, 539
57730070000	Oval-head screw ISO14583 M4x10-A2-70-T20	51, 61, 77, 85, 101, 111, 127, 135
57730110000	Oval-head screw ISO14583 M5x16-A2-70-T25	819
57730170000	Oval-head screw ISO14583 M5x10-A2-70-T25	13, 165, 805
57730180000	Oval-head screw ISO14583 M3x16-A2-70-T10	279, 339, 367, 395, 423, 449, 475, 509, 539
57732650000	Cylinder screw DIN84 M4x16	63, 87, 113, 137
57734060000	Cylinder screw DIN912 M4x6-8.8	757
57735200000	Cylinder screw DIN912 M5x20-8.8	569, 783
57736120000	Cylinder screw DIN912 M6x12-8.8	783
57743020000	Cylinder screw DIN912 M4x8-A2-70	65, 67, 89, 91, 115, 117, 139, 141
57743040000	Cylinder screw DIN912 M4x12-A2-70	255

# Index

Material No.	Material description	Page
57743280000	Cylinder screw DIN912 M5x20-A2-70	255, 257, 579
57743430000	Cylinder screw DIN 912-M6x20-A2-70	49, 75, 99, 125, 159
57743440000	Cylinder screw DIN912 M6x25-A2-70	59, 109, 291, 293, 297
57743450000	Cylinder screw DIN912 M6x16-A2-70	65, 67, 89, 91, 115, 117, 139, 141, 159, 167, 291, 293, 297, 321, 349, 377, 405, 433, 459, 485, 515, 549, 569, 579
57743460000	Cylinder screw DIN912 M6x30-A2-70	159, 167, 193, 591
57743461000	Cylinder screw DIN912 M6x35-A2-70	255, 265, 271
57743470000	Cylinder screw DIN912 M6x40-A2-70	291, 297
57743490000	Cylinder screw DIN912 M6x50-A2-70	197
57743540000	Cylinder screw DIN912 M6x80-A2-70	197
57743670000	Cylinder screw DIN912 M8x20-A2-70	49, 75, 99, 125, 267, 833
57743680000	Cylinder screw DIN912 M8x25-A2-70	193
57743700000	Cylinder screw DIN912 M8x30-A2-70	267, 591
57744870000	Protective plug 10x5,2x3,1-PE	49, 75, 99, 125, 321, 349, 377, 405, 433, 459, 485, 515, 549, 551
57747389000	Cylinder screw DIN7984 M8x20-A2-70	187, 189
57750600000	Retaining washer DIN6799-6	337, 365
57750700000	Retaining washer DIN6799-7	335, 363, 391, 419, 445, 471, 497, 527
57753400000	Retaining washer DIN6799-4	821, 825
57753610000	Retaining washer DIN6799-7	551
57753900000	Retaining washer DIN6799-9	395, 423, 449, 475, 509, 539
57758610000	Toothed washer DIN6797-A 4,3-Fst	51, 61, 65, 67, 77, 85, 89, 91, 101, 111, 115, 117, 127, 135, 139, 141, 179, 185, 325, 355, 381, 411, 437, 465, 489, 521, 765
57767030000	Spring lock washer DIN128-A3-FSt	279
57767040000	Spring lock washer DIN128-A4-FSt	51, 61, 65, 67, 77, 85, 89, 91, 101, 111, 115, 117, 127, 135, 139, 141, 179, 185, 279, 339, 367, 395, 423, 449, 475, 509, 539, 553, 709, 719, 765, 783
57767050000	Spring lock washer DIN128-A5-FSt	255, 257, 339, 367, 395, 399, 423, 427, 449, 453, 475, 479, 509, 513, 539, 543, 553, 569, 579, 623, 627, 783, 819
57767060000	Spring lock washer DIN128-A6-FSt	49, 75, 99, 125, 159, 193, 241, 255, 265, 267, 291, 297, 549, 553, 569, 579, 593, 595, 723, 783, 785
57767080000	Spring lock washer DIN128-A8-A2	193, 267, 321, 349, 377, 405, 433, 459, 485, 515, 549, 591, 833, 839, 843
57767100000	Spring lock washer DIN128-A10-FSt	265
57773140000	Retaining ring DIN471-14x1	785
57773710000	Retaining ring DIN471-6x0,7	265
57773750000	Retaining ring DIN471-10x1	323, 353, 379, 409, 435, 463, 487, 519, 625, 633
57778700000	Retaining ring DIN472-35x1,5	323, 353, 379, 409, 435, 463

# Index

Material No.	Material description	Page
57778700000	Retaining ring DIN472-35x1,5	487, 519
57806110000	Clamping pin ISO8750-4x24-A2	271
57920010000	Adjusting Ring DIN 705-A12-A1/M6x6 A2-70	159, 167
60112000029	Washer	507, 537
60220005700	hexagon screw oval-head M 6x16	333, 361, 591
60220007500	Paper Felt	921
60220110103	Threaded Bolt M12x1 x 14	275
60220402101	cover	501, 531
60220600500	Shaft 12x58	821
60220600700	Shaft 12x54,5	821
60220600900	Cover 71x5.5	821, 825
60220602600	Spacer sleeve 10x6,1x5,5	821
60223400500	Cap M6x10	819, 823
60223401001	Sharpening disc	821, 825
60223401101	Honing Disc	821, 825
60223505802	Bearing Bolt	261
60223506302	cover 11x0,5	257
60240304800	Bushing 6,2 x 12f7 x 15	785
60240501803	Driver 35x14x3	735
60240503100	Hexagon screw DIN 933 M4x10-A2-70	633, 733
60242200501	gear wheel for drive roller	739
60260207302	Control Gear	337, 365
60260310002	Sheet strap 60x10x1,5	51, 77, 101, 127
60270103500	pin	257
60270111302	Washer	255, 633, 637, 643, 657, 665, 675, 687, 693
60270202801	Washer	821
60274601001	Bolt PA - 4,1x4,5	257
60350402001	Protective plug	395, 423, 449, 475, 509, 539
60370103901	Spacer ring 19mm	193
60370104101	Belt pulley PolyV 98,4	193
60370104212	Sealing ring blade 108x84x40	195
<a href="#">60370104302</a>	Hexagon nut M25x1,5 SW30	193
60370104911	Sealing	255
60370106203	Supporting plate	275
60370107502	spacer	265
60370115300	Spacer ring	267
60370161500	Clamp handle small M 5	501, 531
60380108600	Washer	339, 367, 399, 427, 453, 479, 513, 543
60380205800	SLIDE PIN	339, 367, 395, 423, 449, 475, 509, 539
60510200037	Pinion	345, 373, 393, 421, 447, 473, 545
60510200056	Pan head screw M6x7,1x7	343, 371
60510200081	collar stud	345, 373, 393, 421, 447, 473, 545
60510200112	lock nut	343, 371
60510200113	washer 20 (1mm)	343, 371

# Index

Material No.	Material description	Page
60510200132	Washer	343, 371
60510200133	Washer 1 mm	343, 371
60510200134	washer 0,5mm	343, 371
60520200143	torsion spring	401, 403, 429, 431, 455, 457, 481, 483, 503, 505, 533, 535
60530101500	Blade 330 Cr Slayer	227
60530106000	Blade 330 Cr 2xM6 G&B	229
60530200062	mounting link	343, 371
60530200067	collar nut	343, 371
60530200094	cover plate	343, 371
60530200500	supporting angle	333, 361
60530202300	PIN	337, 365
60530202400	slider	507, 537
60530204400	Product holder ass.	321, 349
60530206800	locking handle assembled	337, 365
60530207000	side frame	345, 373
60530207100	Hexagon Screw M4x6 A2-70 Hygiene	345, 373
60530207200	product holder housing preass.	345, 373
60530208200	cap nut	337, 365
60530300053	lubricating felt	553
60530300066	felt ring	551
60531700501	Axle 10 x 257	631, 633, 637, 643, 653, 659, 663, 665, 675, 681, 683, 689, 695
60531700801	Fixing Axle 12 x 257	631, 633, 637, 643, 651, 657, 663, 673, 681, 689, 695
60531700900	PULLEY	631, 651, 653, 681, 683
60531700901	Roller	637, 657, 659, 665, 675, 689, 695
60531700902	Roller	633, 643
60531702302	Mirror V2A 94x38x1,5	637, 651, 657, 665, 681, 687
60531702601	Washer 40x4,5x3	637, 643, 653, 659, 665, 675, 683, 687, 693
60531703301	Bolt 6x4x20	651, 657, 683, 687, 693
60531901602	Plug-in support	651, 681
60533700800	cover plate 10	651, 681
60540101700	nut	259
60540101800	Cover	259
60540245701	guide shaft	323, 353, 379, 409
60540245900	Handhold 91x28 M16x1 - PA6 black	343, 371
60540246101	lever ass.	343, 371
60540246401	locking device, welded	343, 371
60540246601	Torsion spring left	337, 339, 365, 367
60540246701	Torsion spring right	337, 365
60540246801	Shaft	337, 365
60540246900	pan head screw	343, 371
60540247000	washer	337, 365
60540247101	spacer bushing	337, 365
60540247300	Star knob M8x18,5	343, 371

# Index

Material No.	Material description	Page
60540247400	counter bearing	337, 365
60540247500	counter bearing	337, 365
60540247600	washer	337, 365
60540248400	product supporting plate ass.	321, 349
60540248500	product supporting plate welded	347, 375
60540248700	glide piece	347, 375
60540250700	actuator	339, 367
60540251700	spring	333, 361
60540251900	Lever welded complete	333, 361
60540252200	hub preass.	333, 361
60540252801	take up device preassembled	333, 361
60540253400	tightening disk	333, 361
60540260801	Washer	323, 353, 379, 409, 435, 463, 487, 519
60540261000	bolt	323, 353, 379, 409, 435, 463, 487, 519
60540265600	locking lever mount.	395, 423, 449, 475, 509, 539
60540266102	Bushing complete	337, 365, 395, 423, 449, 475, 509, 539
60540266600	hex nut	337, 365, 395, 423, 449, 475, 509, 539
60540268301	guide shaft	435, 463, 487, 519
60540269601	product holder	393, 421, 447, 473, 545
60540269700	Side frame left	393, 421, 447, 473, 545
60540269800	Side frame right	393, 421, 447, 473, 545
60540269901	Gripper Shaft cpl	393, 421, 447, 473, 545
60540270201	Cap nut M6	393, 421, 447, 473, 507, 537, 545
60540276102	Holding Down Device ass.	377, 405, 433, 459, 485, 515
60540276201	Holding Down Device preass.	401, 403, 429, 431, 455, 457, 481, 483, 503, 505, 533, 535
60540276701	hub	401, 403, 429, 431, 455, 457, 481, 483, 503, 505, 533, 535
60540277600	self-tapping screw	393, 421, 447, 473, 545
60540277802	Handle with screw M6 x 13,55	401, 429, 455, 481, 503, 533
60540306500	toothed belt pulley compl.	575
60540318701	stop pin	161, 395, 423, 449, 475, 509, 539
60540318800	catch	161
60540318900	bushing	161, 597
60540319300	toothed belt pulley compl.	571
60540400900	Depositing plate	559
60540501300	stop	735
60540502001	Plastic roller wheel cpl.	733
60540502105	Drive roller chain frame	739
60540503901	guide cam	733
60540504000	sleeve	733
60540504600	cover plate	733
60540507000	bracket cpl.	733
60540801001	depositing arm standard welded	789

# Index

Material No.	Material description	Page
60540802000	locknut	789
60540900501	holding bracket	783
60540900604	Angle	783
60541003003	Ledge Preassembled 15x1145	681, 689, 695
60541004402	Ledge preassembled 15x235	631
60541080001	Metal Sheet Insert cpl.	499, 529
60542403701	mounting	837, 841, 847
60542403800	ACCESSORY KIT FOR BENCH FIXATION	833, 839, 843
60542404001	Supporting Foot 173 x 20	833
60543000502	Side plate, RH	625
60543000602	Side plate, LH	625
60543000901	guide roller	625
60543001000	shaft	625
60543007001	conveyer guiding unit	625
60562401900	Washer 36x6,5x3	591, 635, 641, 661, 669
60562402201	roller	633
60562502500	light barr. holder for 7103789	709
60610000017	washer	733
60800108401	Bracket handle 100 x 32 x 10	247
60800114700	set screw	255
60800116900	Bizerba character font	61, 85, 111, 135
60800198400	Bracket handle C 100 x 32 x 10	249
60804801200	Reference plate "Sharpen and lube daily"	911
60810107611	Sealing	255
60830912002	Codestrip 4x26	783
60895100160	PCBA PowerSupply VSI	17
60895400152	PCBA Intermediate Board 1	557
60895600150	PCBA Intermediate Board 2	63, 87, 113, 137
60897000159	Apalis carrierboard + iMX6 1GB Quad	767
60897000160	Apalis carrierboard + iMX6 1GB Quad	775
60897100160	PCBAP Power Supply VSI	15
60897200155	PCBAP MC 3ph 6ch lv bus	51, 77, 101, 127
60897300157	PCBAP MC 3ph 2ch hv bus	65, 89, 115, 139
60897500157	PCBAP MC 3ph 2ch lv bus	327, 355, 383, 411, 437, 465, 489, 521
60897700103	Weighing module Food	807, 811
60897700104	Weighing module Food	809, 813
63673120800	SPACER BOTTOM/TOP	591
65016000132	Washer DIN125-A-8-PA6	235, 239
65016000133	Washer 5-PA	325, 355, 381, 411, 437, 465, 489, 521, 551
71004310000	Cabel Tie T18R	775
71004320000	Cable Tie T40R	65, 67, 89, 91, 115, 117, 139, 141, 757, 761
71004520000	Flat Cabel Holder 3484-1000	323, 353, 379, 409, 435, 463, 487, 519
71010820000	Cable Gland M16 UL 53111010	591, 873, 875
71037500000	Ferrit Sleeve 74271131	707, 711, 717
71037830000	Linear Increment Encoder HEDS 9200-300	783

# Index

Material No.	Material description	Page
71066170000	Blind plug BLK- M16	53, 79, 103, 129
71066180000	Blind plug BLK- M20	335, 363, 391, 419, 445, 471, 497, 527
71066320000	Plug round M12x1,5	151
71066410000	Plug Round M20x1.5	149
71067290000	Spacer 6.4 LPR 8520-M4	557
71080560000	Flat Plug 6.3 DIN4634	179, 185
71169020000	Nylon-Clip 2N	709, 713, 719
71169040000	Nylon-Clips NK-4N	767, 775
71169050000	Cable Clamp nylon 7,4mm NK-5N	335, 363, 391, 419, 445, 471, 497, 527, 765
71169100000	Cable Clamp nylon 14mm NK-10N	51, 77, 101, 127
71232900000	Shrink Sleeve UL GR 3.2	715
71400960000	Short Circuit Bracket 3131 731000406	325, 355, 381, 411, 437, 465, 489, 521
71451870000	FUSE 8,0T UL 215008.P	19
71473870000	Patch Cable 2M CAT5E 26AWG	755
71506350000	Battery Lithium Cell CR2032 UL	769, 779
94009990000	Machine sticker Hotline 1020 (70x30)	913
95900601030	Machinery oil H1 30ml	921
95916850000	Dowel 6x10x35	837, 841, 847
95944020001	Silicone Rubber Elastosil E41 90ml	331, 351, 387, 407, 441, 461, 493, 517
95944300000	Kitchen silicone ELASTO4710	395, 423, 449, 475, 509, 539
95972840002	Loctite 648 10ml.	235, 239, 507, 537
95972870002	Loctite 638	187, 257, 325, 353, 355, 381, 409, 411, 437, 465, 489, 521
95972950002	Loctite 243 50 ml	13, 49, 53, 65, 67, 75, 79, 89, 91, 99, 103, 115, 117, 125, 129, 139, 141, 161, 165, 183, 187, 189, 193, 247, 249, 255, 257, 261, 265, 273, 293, 297, 299, 301, 321, 323, 325, 331, 333, 335, 337, 339, 341, 343, 345, 349, 351, 353, 355, 361, 363, 365, 367, 369, 371, 373, 377, 379, 381, 387, 391, 393, 395, 397, 399, 405, 407, 409, 411, 419, 421, 423, 425, 427, 433, 435, 437, 441, 445, 447, 449, 451, 453, 459, 461, 463, 465, 471, 473, 475, 477, 479, 485, 487, 489, 493, 497, 509, 511, 513, 515, 517, 519, 521, 527, 539, 541, 543, 545, 549, 551, 569, 575, 579, 585, 591, 593, 597, 625, 631, 633, 637, 639, 643, 645, 647, 651, 653, 657, 659, 663, 665, 667, 671, 673, 675, 677, 681, 683, 687, 689, 693, 695, 699, 711, 713, 723, 725, 733, 735, 737, 761, 783, 805, 819, 835, 839, 843, 845
95972960002	Loctite 7649 500ml	187, 255, 257, 261, 267, 271

# Index

Material No.	Material description	Page
95972960002	Loctite 7649 500ml	593
96055050000	Lubricating Oil F.L.5 Oil UH1	337, 365, 549, 551
96055070000	Grease PARALIQ GA 343	267, 271, 279, 323, 325, 333, 335, 337, 343, 361, 363, 365, 371, 379, 381, 391, 395, 401, 403, 419, 423, 429, 431, 435, 437, 445, 449, 455, 457, 471, 475, 481, 483, 487, 489, 497, 503, 505, 509, 527, 533, 535, 539, 551, 569, 579, 683, 687, 689, 693, 733, 735, 785, 821, 825
96055080000	Kluebersynth UH1 64-62/25kg	195, 257, 265, 301, 357, 413, 463, 465, 519, 521, 551, 783
96055090000	Assembly-paste Rivolta F.L.A. 100 ml	439, 467, 491, 523, 731, 833, 839, 843