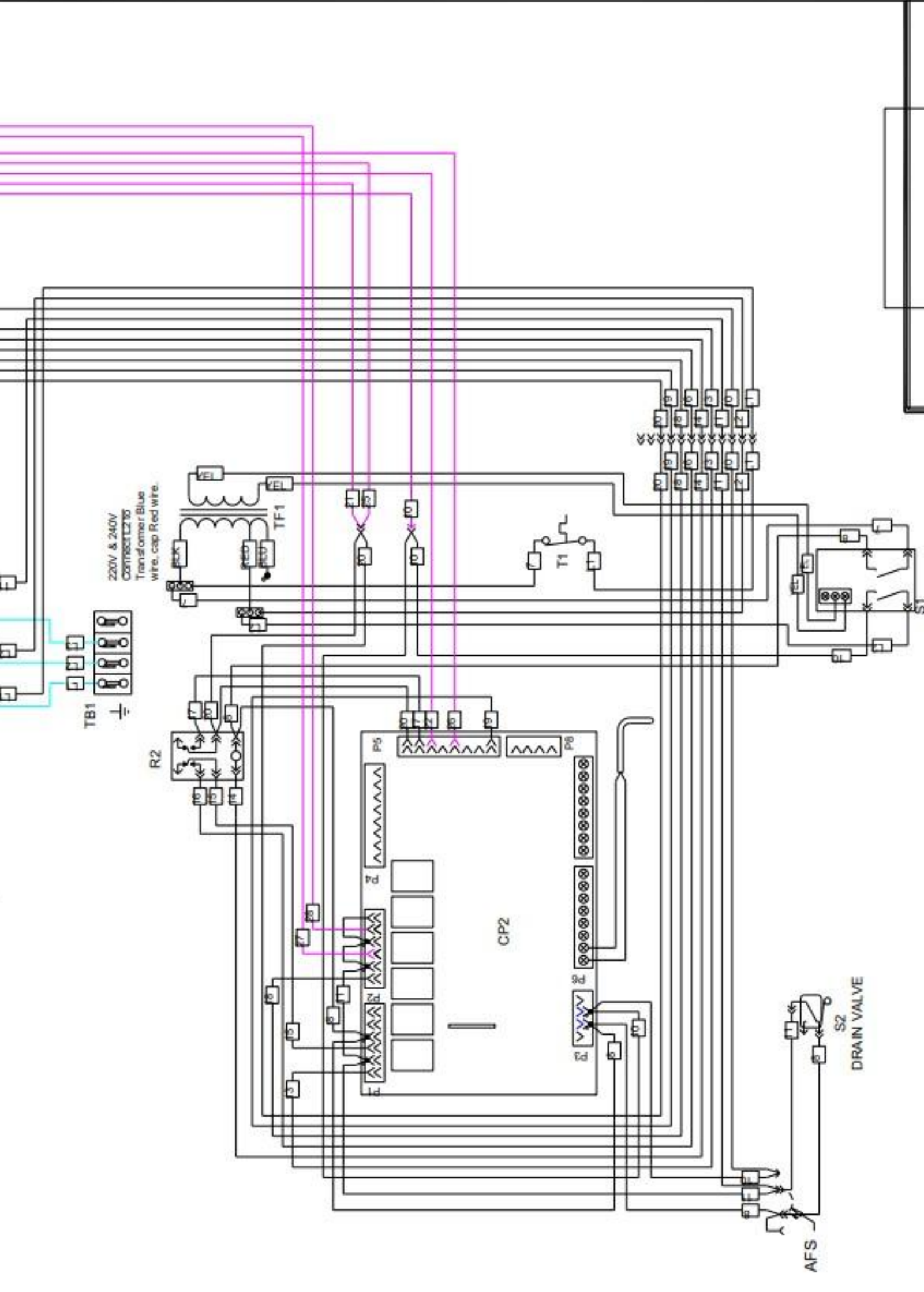
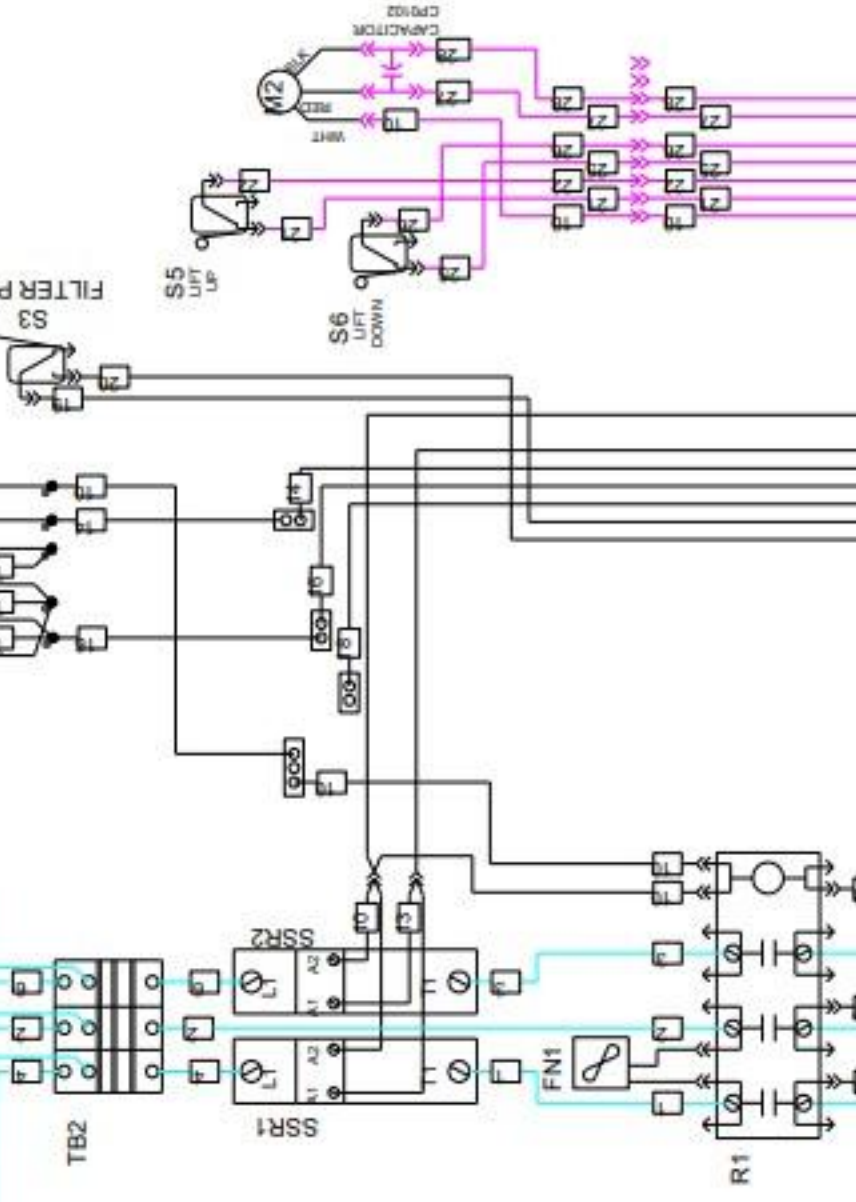
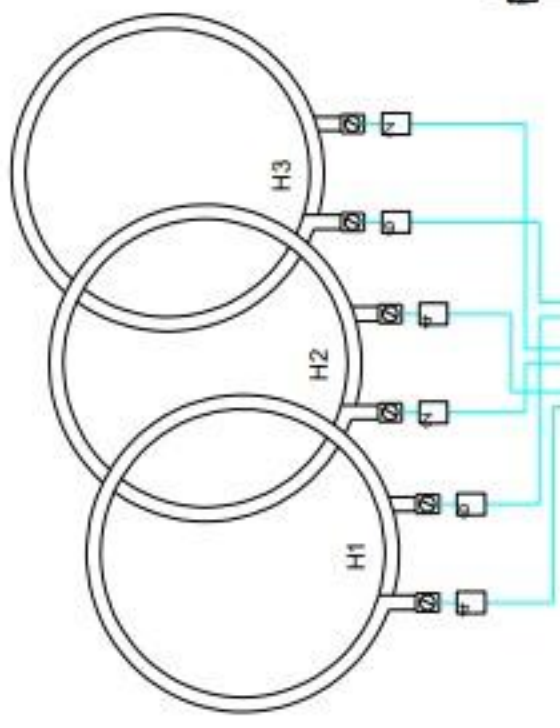
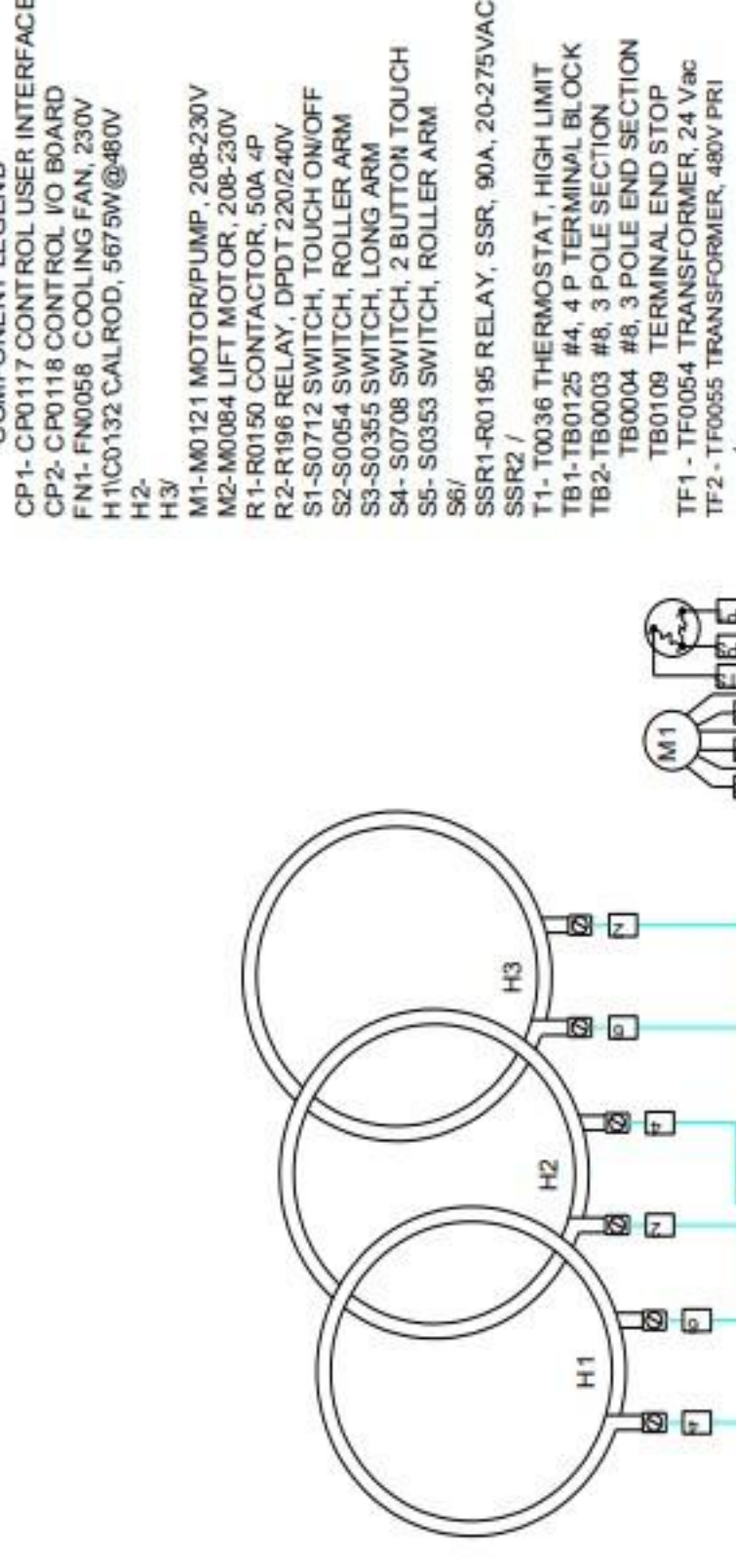
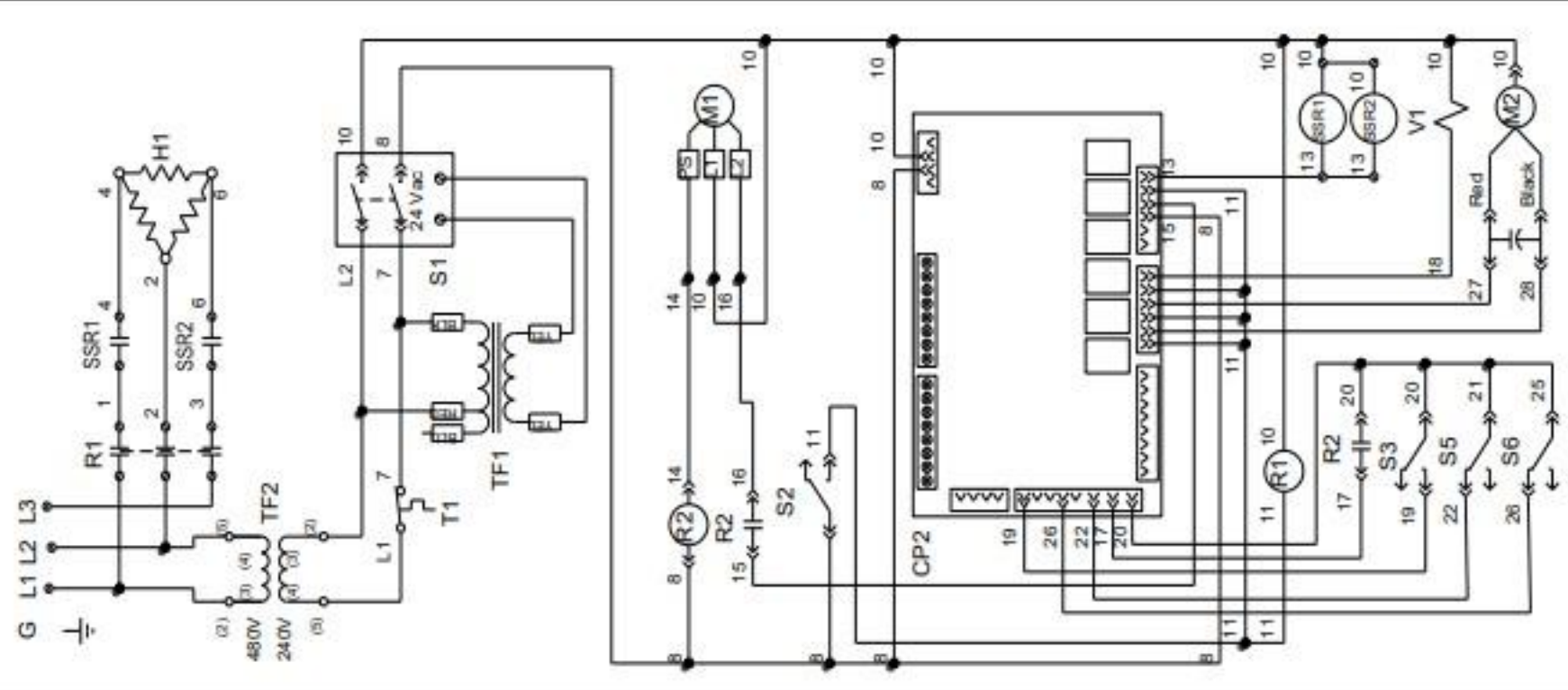


- COMPONENT LEGEND**
- CP1- CP0117 CONTROL USER INTERFACE
 - CP2- CP0118 CONTROL I/O BOARD
 - FN1- FN0058 COOLING FAN, 230V
 - H1C0030 CAL ROD, 5675W@208V
 - H2-C0031 CAL ROD, 5675W@230V H3/
 - M1-M0121 MOTOR/PUMP, 208-230V
 - M2-M0084 LIFT MOTOR, 208-230V
 - R1-R0150 CONTACTOR, 50A 4P
 - R2-R196 RELAY, DPDT 220/240V
 - S1-S0712 SWITCH, TOUCH ON/OFF
 - S2-S0054 SWITCH, ROLLER ARM
 - S3-S0355 SWITCH, LONG ARM
 - S4- S0708 SWITCH, 2 BUTTON TOUCH
 - S5- S0353 SWITCH, ROLLER ARM
 - S6/
 - SSR1-R0195 RELAY, SSR, 90A, 20-27 5VAC
 - SSR2 /
 - T1- T0036 THERMOSTAT, HIGH LIMIT
 - TB1-TB0125 #4, 4 P TERMINAL BLOCK
 - TB2-TB0003 #8, 3 POLE SECTION
 - TB0004 #8, 3 POLE END SECTION
 - TB0109 TERMINAL END STOP
 - TF1 - TF0054 TRANSFORMER, 24 Vac

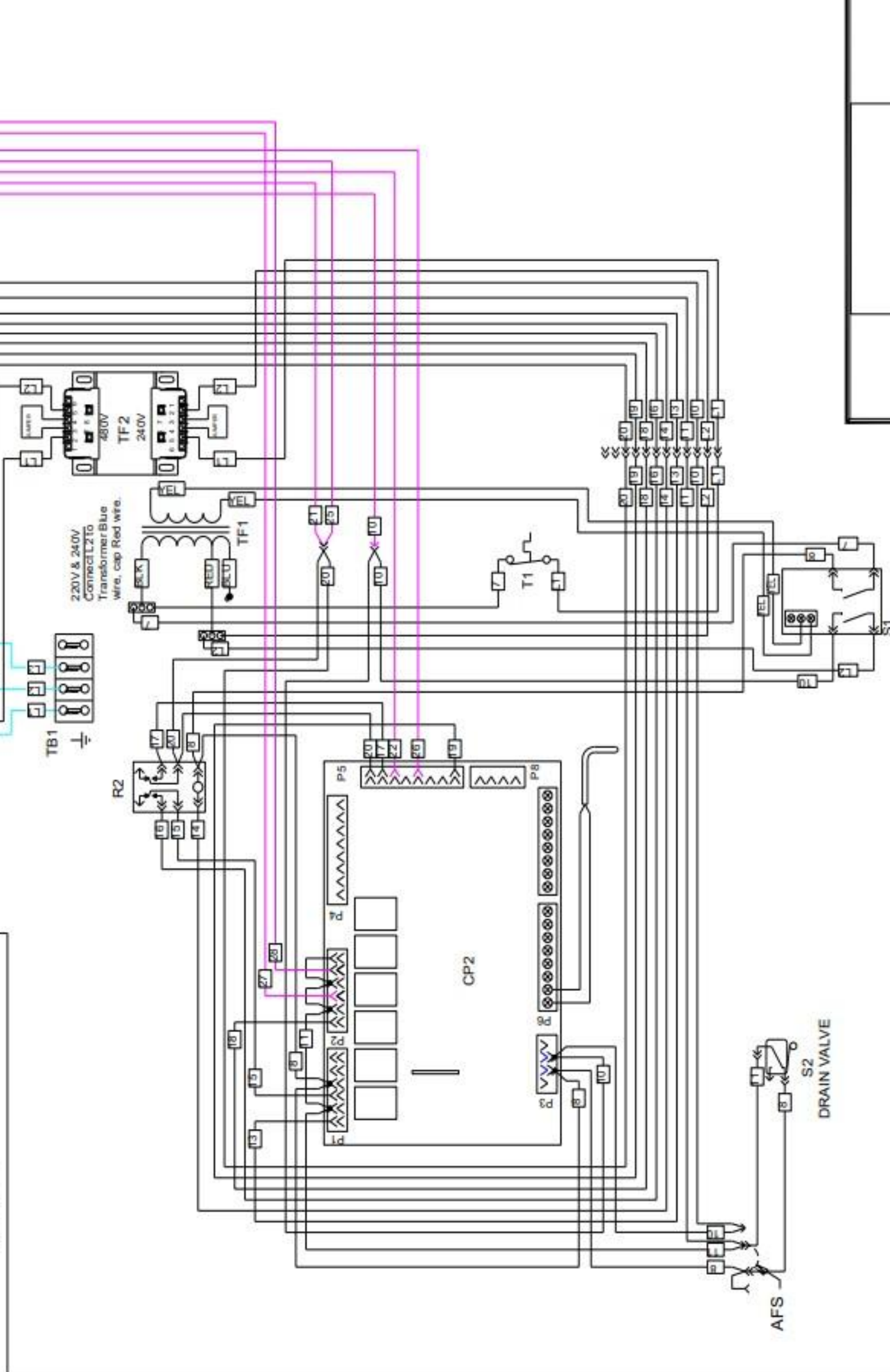


Model	BLF-TC	VOLTAGE	208	AMPS	47.3	KILOWATTS	17.0	BREAKER SIZE	60
PHASE	3	NO. of WIRES	3 + Gnd		37.5		14.3		50
Drawn By	TAH	Date	11/09/2017		41.0		17.0		50
Drawing Number									SB16096600

THE COMBINATION OF FACTS, DATA, DESIGN ELEMENTS, ENGINEERING DATA, MANUFACTURING DATA AND ASSEMBLY DATA WHICH MAY BE CONTAINED IN THIS DRAWING ARE OF A PROPRIETARY NATURE TO BKL. THESE MATERIALS ARE NOT TO BE USED OR COPIED WITHOUT PRIOR WRITTEN PERMISSION FROM ST. ANGELO, CSO. ALL RIGHTS ARE RESERVED.



- COMPONENT LEGEND
- CP1- CP0117 CONTROL USER INTERFACE
 - CP2- CP0118 CONTROL I/O BOARD
 - FN1- FN0058 COOLING FAN, 230V
 - H1- CO132 CAL ROD, 5675W@480V
 - H2-
 - H3-
 - M1- M0121 MOTOR/PUMP, 208-230V
 - M2- M0084 LIFT MOTOR, 208-230V
 - R1- R0150 CONTACTOR, 50A 4P
 - R2- R196 RELAY, DPDT 220/240V
 - S1- S0712 SWITCH, TOUCH ON/OFF
 - S2- S0054 SWITCH, ROLLER ARM
 - S3- S0355 SWITCH, LONG ARM
 - S4- S0708 SWITCH, 2 BUTTON TOUCH
 - S5- S0353 SWITCH, ROLLER ARM
 - S6-
 - SSR1- R0195 RELAY, SSR, 90A, 20-275VAC
 - SSR2 /
 - T1- T0036 THERMOSTAT, HIGH LIMIT
 - TB1- TB0125 #4, 4 P TERMINAL BLOCK
 - TB2- TB0003 #8, 3 POLE SECTION
 - TB0004 #8, 3 POLE SECTION
 - TB0109 TERMINAL END STOP
 - TF1 - TF0054 TRANSFORMER, 24 Vac
 - TF2 - TF0055 TRANSFORMER, 480V PR1



Model	BLF-TC	VOLTAGE	480	KILLOWATTS	17.0	BREAKER SIZE	
PHASE	3	AMPS	20.5				
NO. of WIRES	3 + Gnd						
Drawn By	JDS	Date	04/26/18				
							Drawing Number
							SB16096700

THE COMBINATION OF FACTS, DATA, DESIGN ELEMENTS, ENGINEERING DATA, MANUFACTURING DATA AND ASSEMBLY DATA WHICH MAY BE CONTAINED IN THIS DRAWING ARE OF A PROPRIETARY NATURE TO BKL. THESE MATERIALS ARE NOT TO BE USED OR COPIED WITHOUT PRIOR WRITTEN PERMISSION FROM STANDEX CSG. ALL RIGHTS ARE RESERVED.