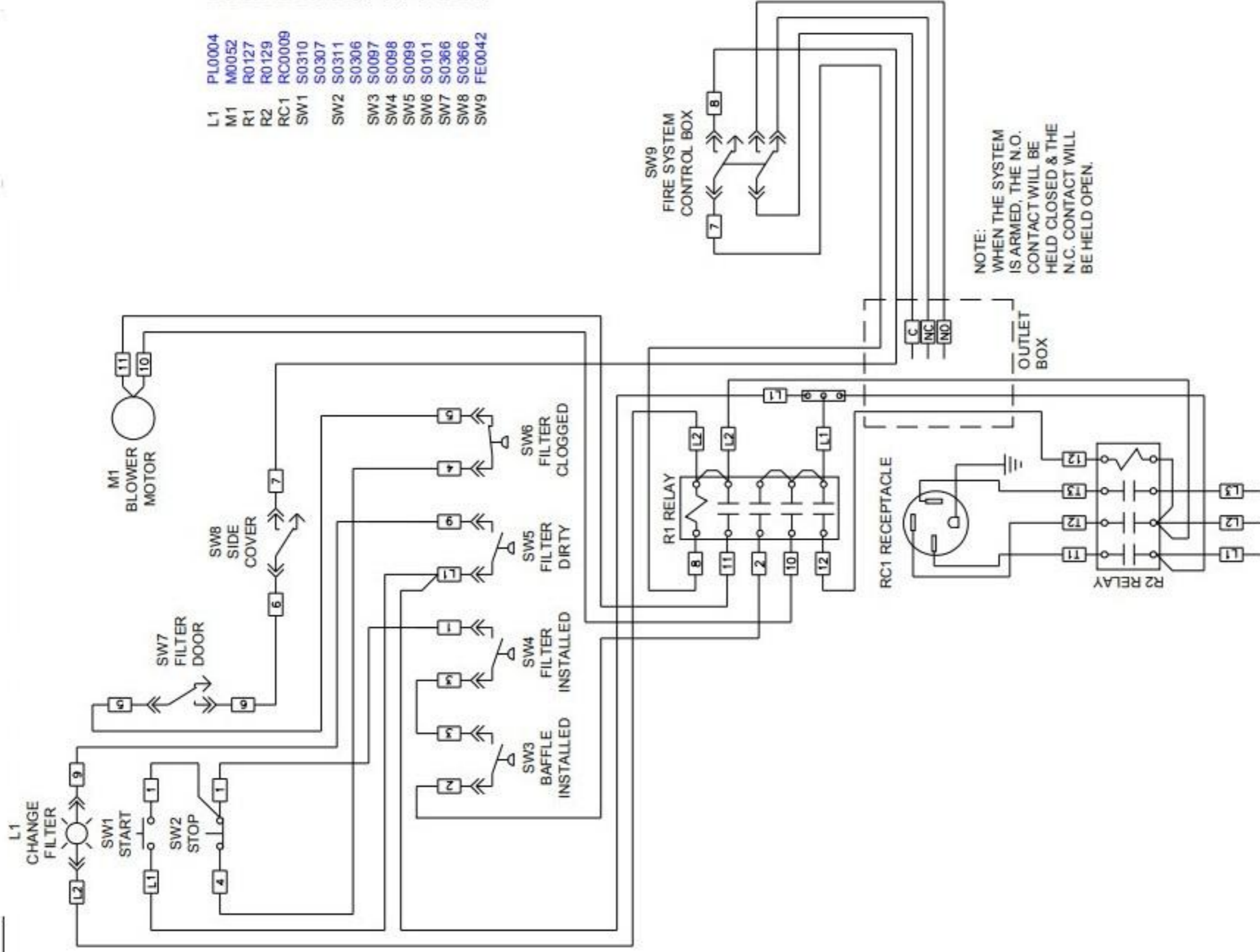
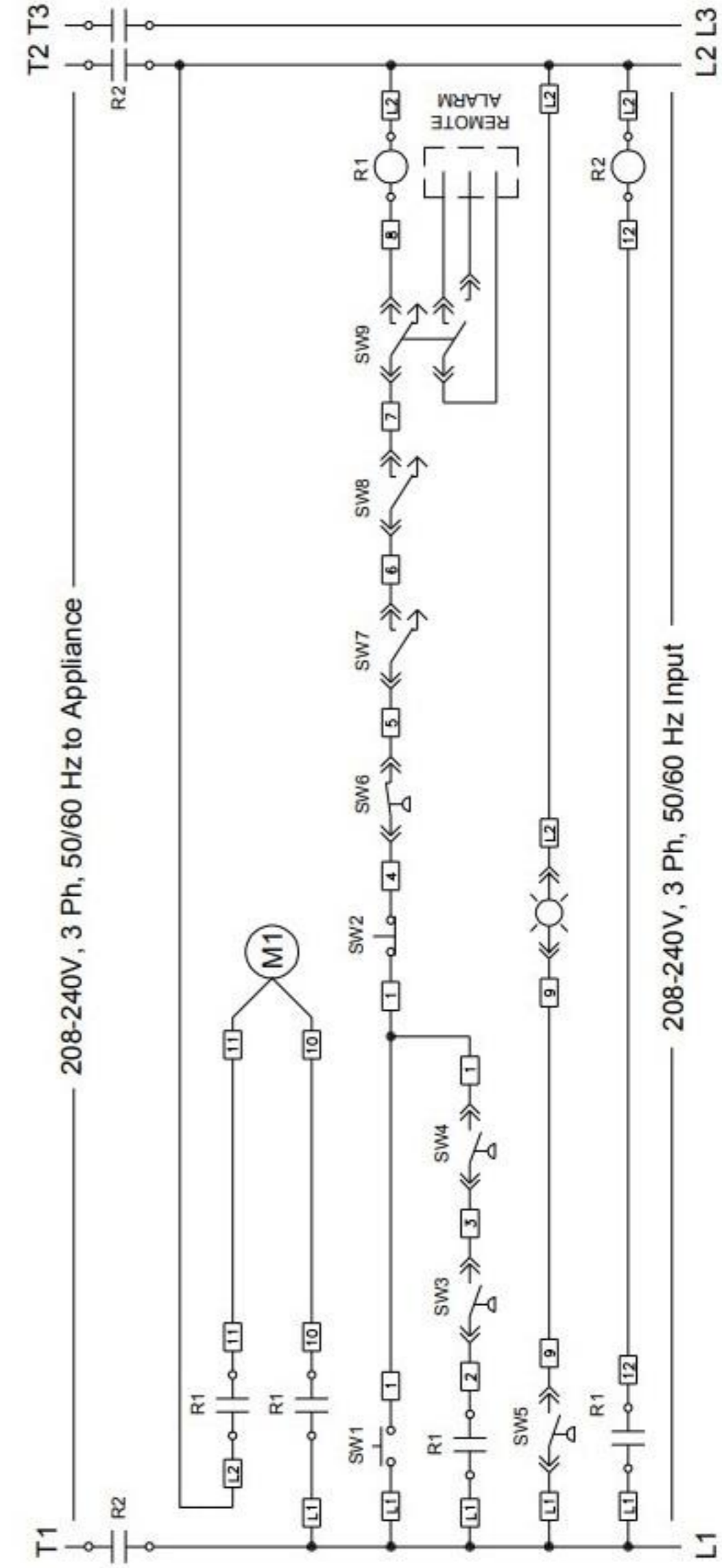


- L1 PL0004
- M1 M0052
- R1 R0127
- R2 R0129
- RC1 RC0009
- SW1 S0310
- SW2 S0307
- SW3 S0311
- SW4 S0306
- SW5 S0097
- SW6 S0098
- SW7 S0099
- SW8 S0101
- SW9 S0366
- SW9 FE0042

- PILOT LIGHT, 250V ROUND
- MOTOR, 1/2 HP DBL SHAFT
- RELAY, 4P, 25A, 240V
- RELAY, 3P, 60A, 240V
- RECEPTACLE, NEMA 15-60
- PUSH BUTTON OPERATOR, GRN
- CONTACT BLOCK, N.O.
- PUSH BUTTON OPERATOR, RED
- CONTACT BLOCK, N.C.
- VACUUM SWITCH, 0.14" WC
- VACUUM SWITCH, 1.00" WC
- VACUUM SWITCH, 1.80" WC
- VACUUM SWITCH, 1.97" WC
- PLUNGER SWITCH, SPDT
- PLUNGER SWITCH, SPDT
- SWITCH KIT, CONTROL BOX



NOTE:
 WHEN THE SYSTEM
 IS ARMED, THE N.O.
 CONTACT WILL BE
 HELD CLOSED & THE
 N.C. CONTACT WILL
 BE HELD OPEN.



208-240V, 3 Ph, 50/60 Hz to Appliance

208-240V, 3 Ph, 50/60 Hz Input