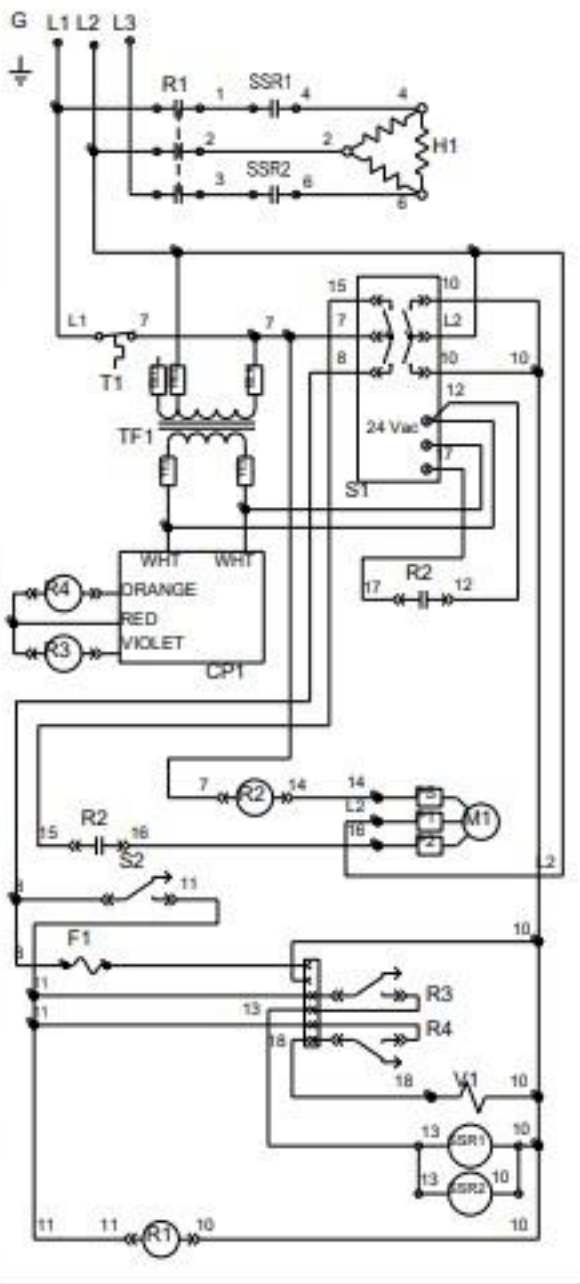


Model	VOLTAGE	AMPS	KILLOWATTS	BREAKER SIZE
FKM-FC	208	47.3	17.0	60
PHASE	NO. of WIRES			
3	3 + Gnd	220	37.5	50
Drawn By	Date			
TAH	11/09/2017	240	41.0	50

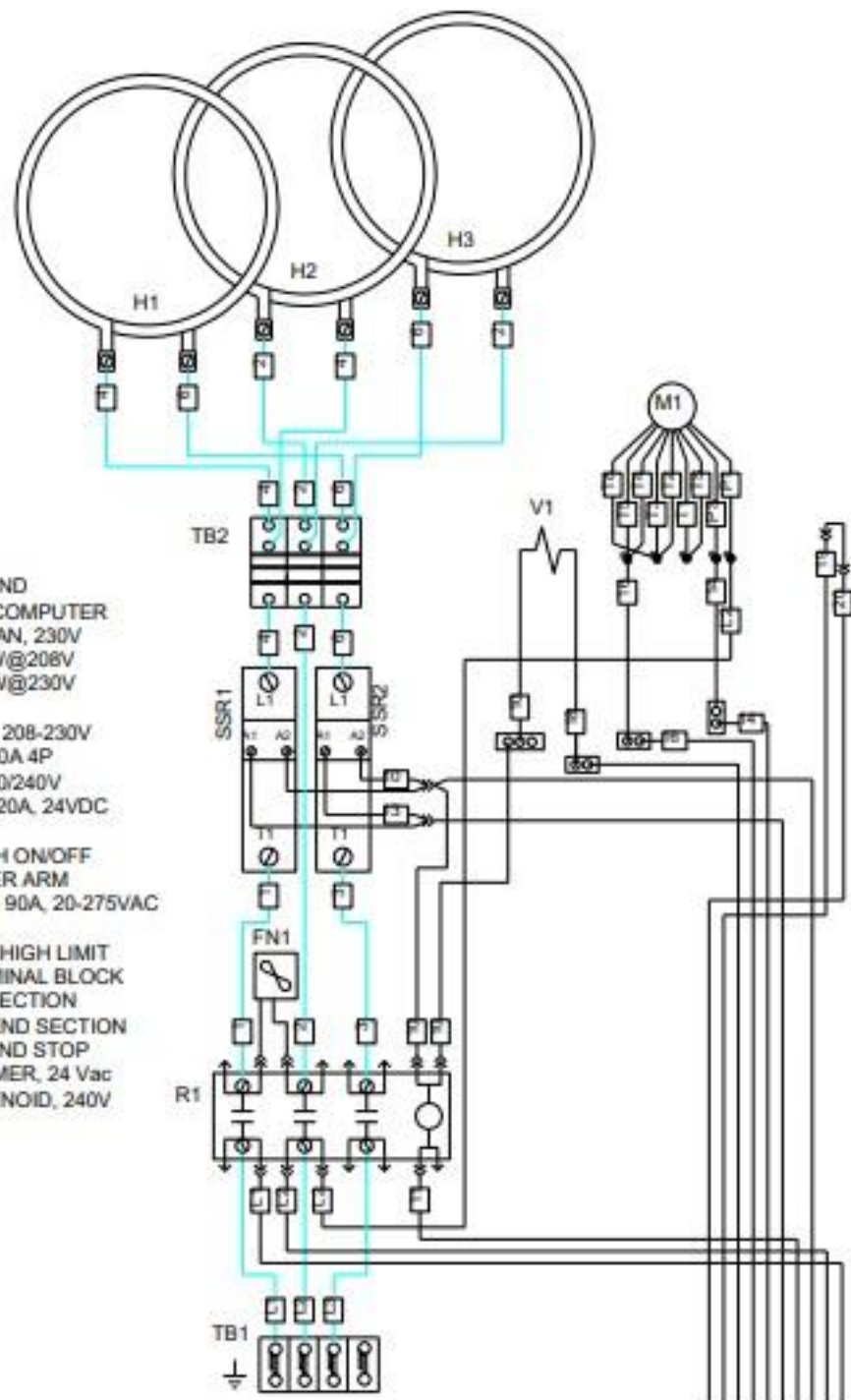
THE COMBINATION OF FACTS, DATA, DESIGN ELEMENTS, ENGINEERING DATA, MANUFACTURING DATA AND ASSEMBLY DATA WHICH MAY BE CONTAINED IN THIS DRAWING ARE OF A PROPRIETARY NATURE TO BKI. THESE MATERIALS ARE NOT TO BE USED OR COPIED WITHOUT PRIOR WRITTEN PERMISSION FROM STANDEX CSG. ALL RIGHTS ARE RESERVED.

Drawing Number **SB19196800**

LADDER DIAGRAM



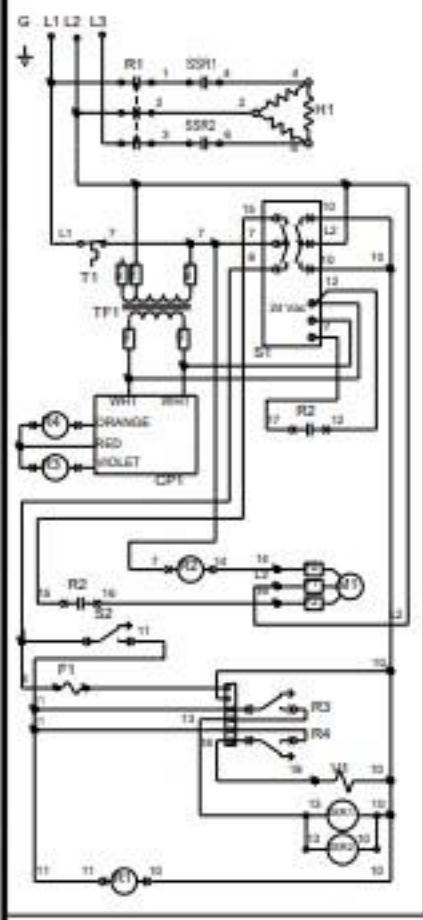
REV	ECO	DESCRIPTION	DATE
01	18-090	PRODUCTION RELEASE	07/20/18



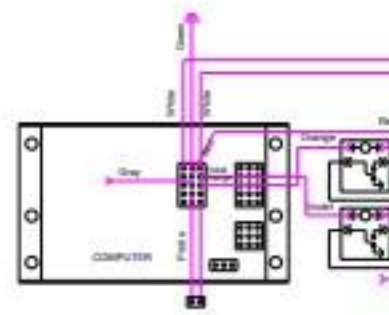
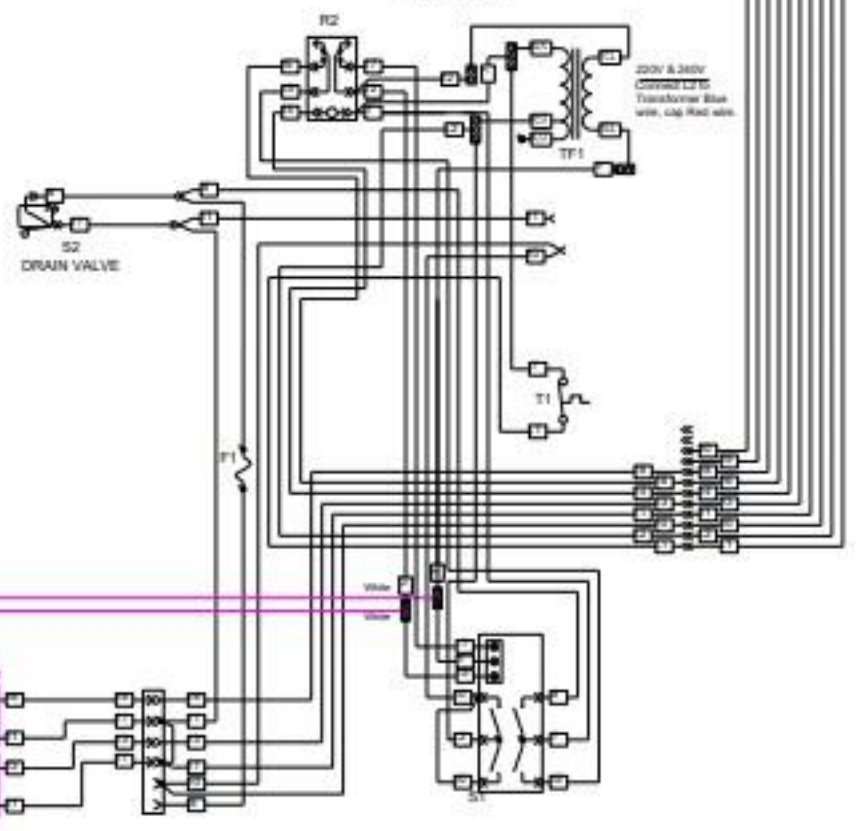
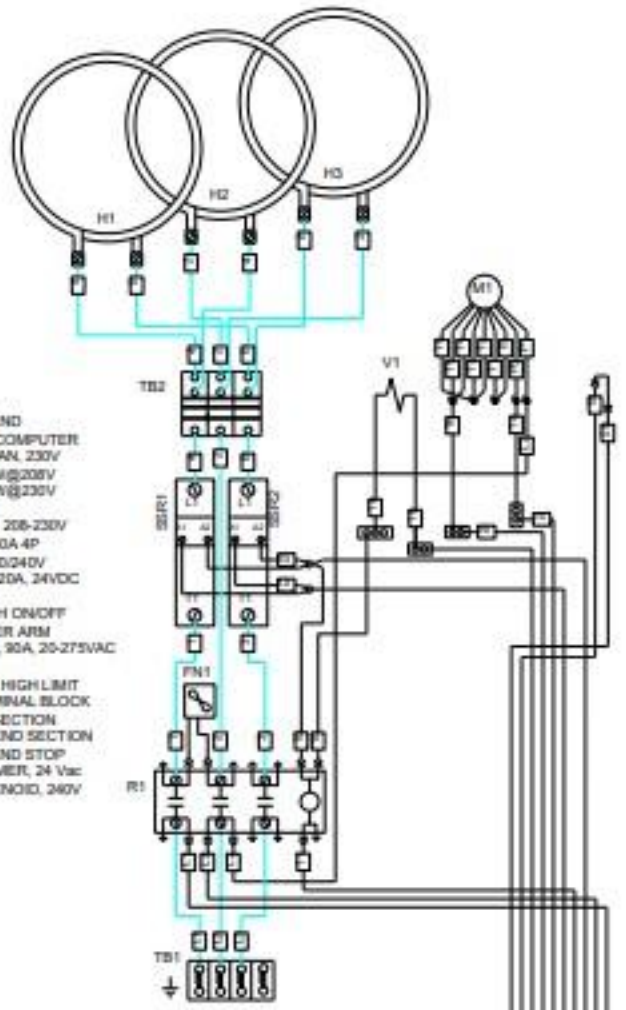
- COMPONENT LEGEND
- CP1- CP0039 CONTROL COMPUTER
 - FN1- FN0058 COOLING FAN, 230V
 - H1- H1C0030 CALROD, 5675W@208V
 - H2- H2C0031 CALROD, 5675W@230V
 - H3/
 - M1- M0121 MOTOR/PUMP, 208-230V
 - R1- R0150 CONTACTOR, 50A 4P
 - R2- R196 RELAY, DPDT 220/240V
 - R3- R0174 RELAY, SPDT, 20A, 24VDC
 - R4/
 - S1- S0712 SWITCH, TOUCH ON/OFF
 - S2- S0054 SWITCH, ROLLER ARM
 - SSR1- R0195 RELAY, SSR, 90A, 20-275VAC
 - SSR2 /
 - T1- T0036 THERMOSTAT, HIGH LIMIT
 - TB1- TB0125 #4, 4 P TERMINAL BLOCK
 - TB2- TB0003 #8, 3 POLE SECTION
 - TB0004 #8, 3 POLE END SECTION
 - TB0109 TERMINAL END STOP
 - TF1 - TF0054 TRANSFORMER, 24 Vac
 - V1- SV0001 VALVE, SOLENOID, 240V

REV	ECO	DESCRIPTION	DATE
01	18-090	PRODUCTION RELEASE	07/20/18

LADDER DIAGRAM



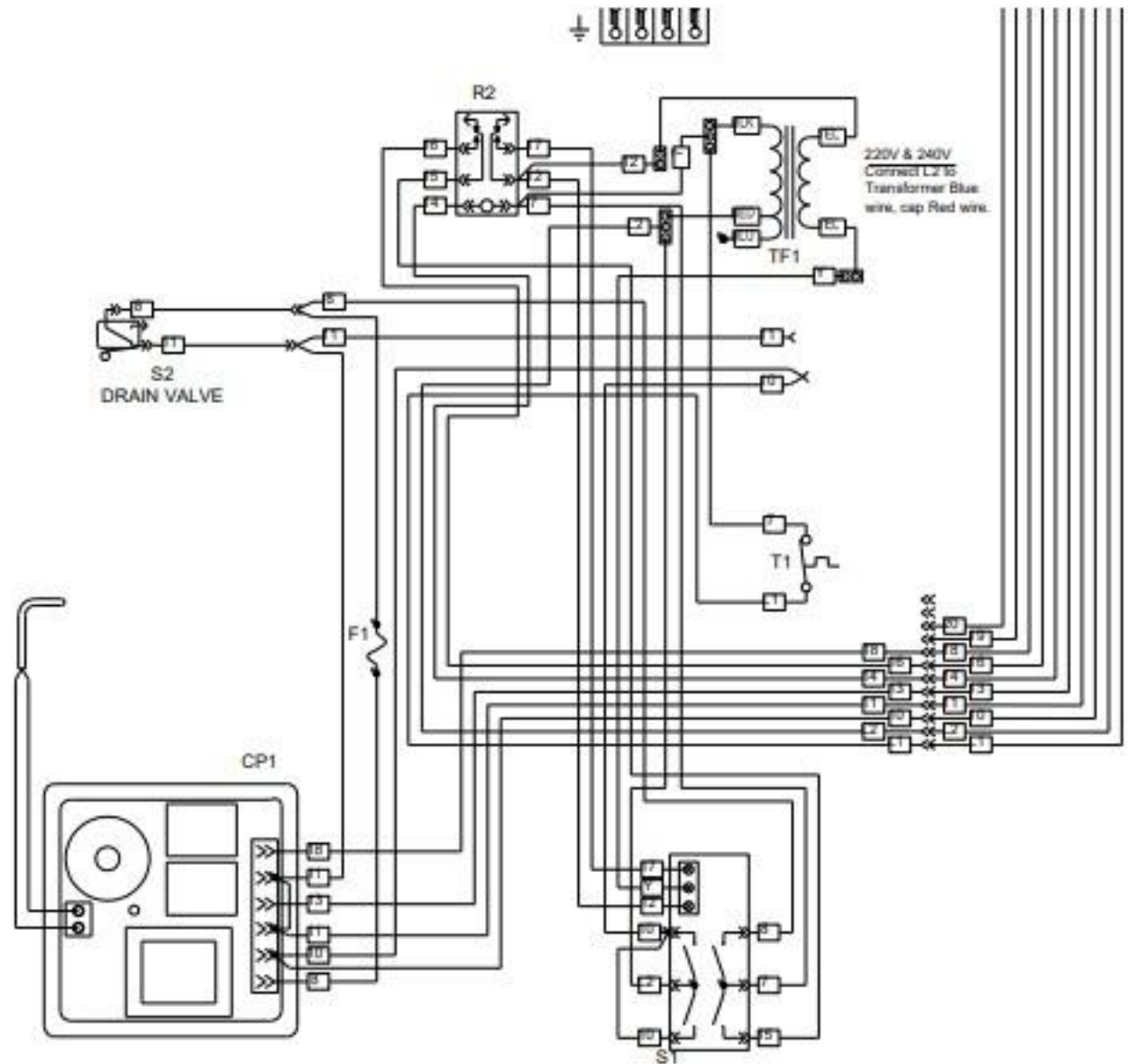
- COMPONENT LEGEND**
- CP1- CP0039 CONTROL, COMPUTER
 - FN1- FN0058 COOLING FAN, 230V
 - H1C0030 CALROD, 5675W@230V
 - H2-C0031 CALROD, 5675W@230V
 - H3
 - M1-M0121 MOTORPUMP, 208-230V
 - R1-R0150 CONTACTOR, 50A 4P
 - R2-R196 RELAY, DPDT 220/240V
 - R3-R0174 RELAY, SPDT, 20A, 24VDC
 - R4
 - S1-S0712 SWITCH, TOUCH ON/OFF
 - S2-S0054 SWITCH, ROLLER ARM
 - SSR1-R0195 RELAY, SSR, 30A, 20-275VAC
 - SSR2 /
 - T1- T0036 THERMOSTAT, HIGH LIMIT
 - TB1-TB0125 4x4 4 P TERMINAL BLOCK
 - TB2-TB0303 6x6 3 POLE SECTION
 - TB0004 6x6 3 POLE END SECTION
 - TB0109 TERMINAL END STOP
 - TF1 - TF0054 TRANSFORMER, 24 Vac
 - V1-SV0001 VALVE, SOLENOID, 240V



Model	VOLTAGE	AMPS	KILLOWATTS	BREAKER SIZE
FKM-FC	208	47.3	17.0	60
PHASE	NO. OF WIRES			
3	3 + Gnd	220	37.5	50
Drawn By	Date			
TAH	11/09/2017	240	41.0	50

THE COMBINATION OF FACTS, DATA, DESIGN ELEMENTS, ENGINEERING DATA, MANUFACTURING DATA AND ASSEMBLY DATA WHICH MAY BE CONTAINED IN THIS DRAWING ARE OF A PROPRIETARY NATURE TO THE WRITER. THESE MATERIALS ARE NOT TO BE USED OR COPIED WITHOUT PRIOR WRITTEN PERMISSION FROM 3TRONEX CORP. ALL RIGHTS ARE RESERVED.

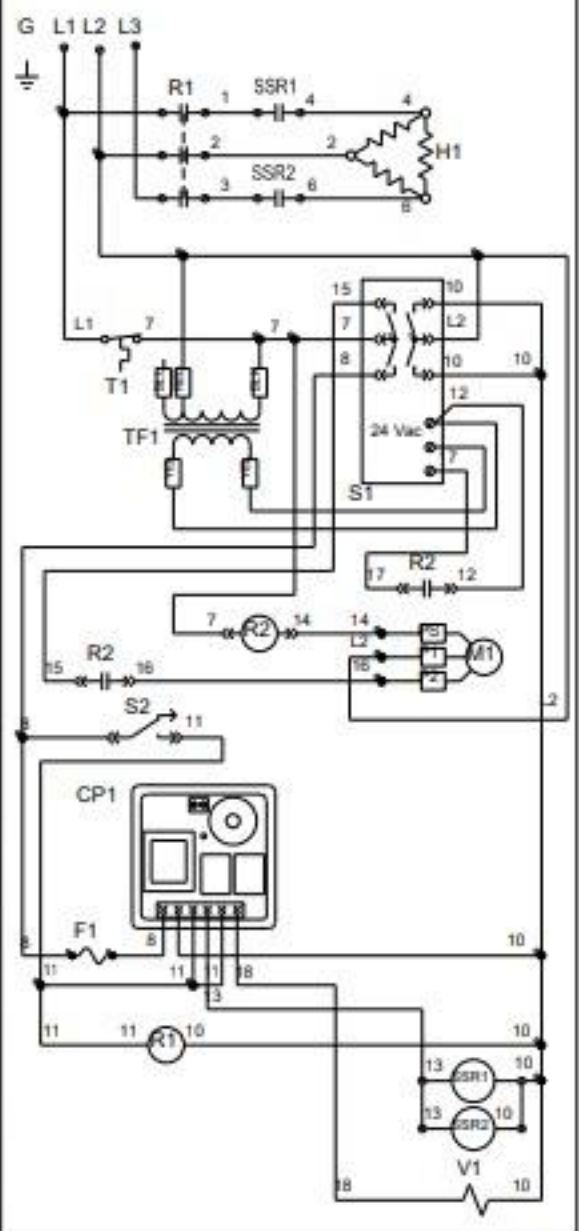
Drawing Number **SB19196800**



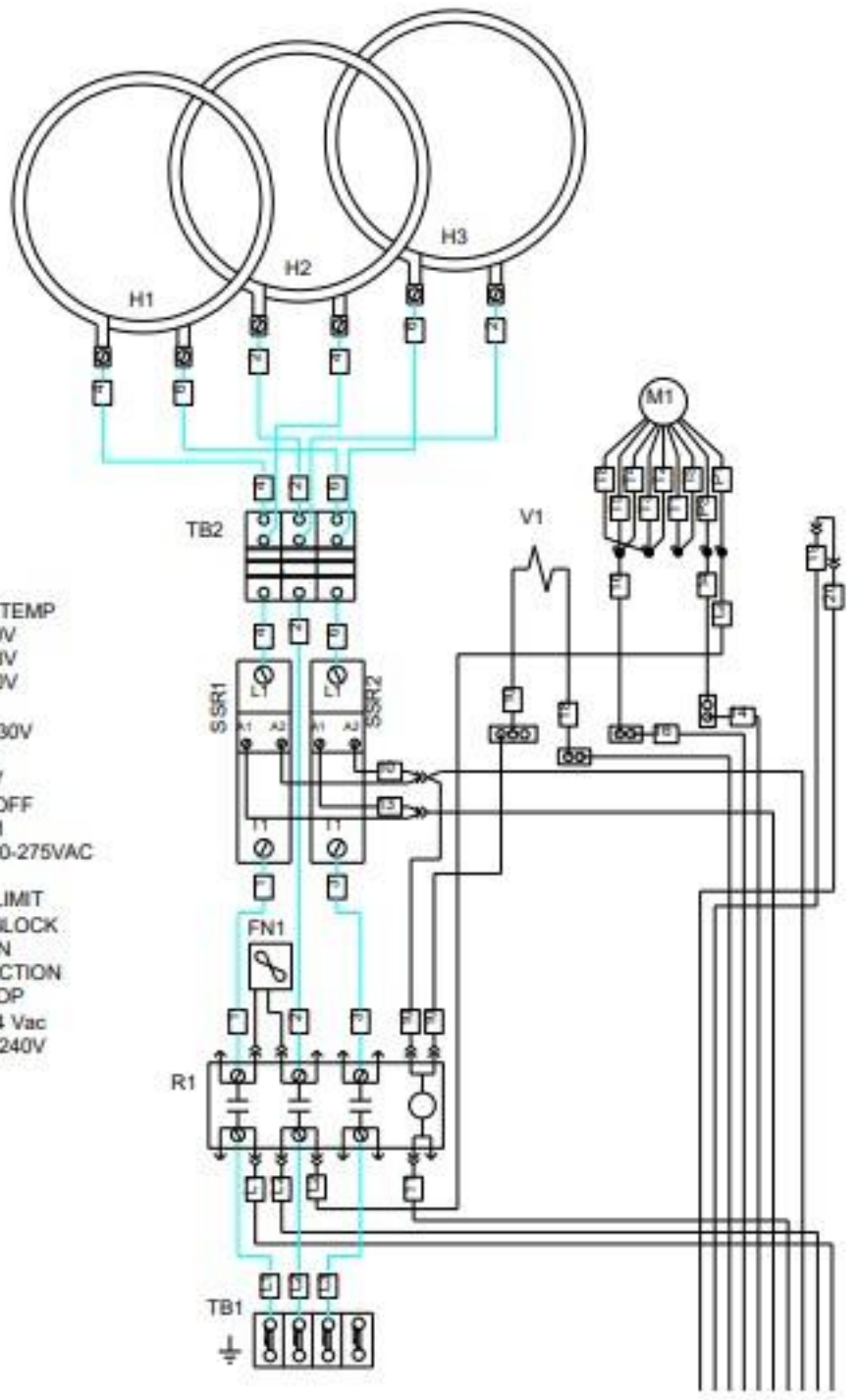
Model FKM-F		VOLTAGE 208	AMPS 47.3	KILLOWATTS 17.0	BREAKER SIZE 60	THE COMBINATION OF FACTS, DATA, DESIGN ELEMENTS, ENGINEERING DATA, MANUFACTURING DATA AND ASSEMBLY DATA WHICH MAY BE CONTAINED IN THIS DRAWING ARE OF A PROPRIETARY NATURE TO SKI. THESE MATERIALS ARE NOT TO BE USED OR COPIED WITHOUT PRIOR WRITTEN PERMISSION FROM STANDEX.CSG. ALL RIGHTS ARE RESERVED. Drawing Number SB19196500
PHASE 3	NO. of WIRES 3 + Gnd	220	37.5	14.3	50	
Drawn By TAH	Date 11/09/2017	240	41.0	17.0	50	

REV	ECO	DESCRIPTION	DATE
01	18-090	PRODUCTION RELEASE	07/20/18

LADDER DIAGRAM



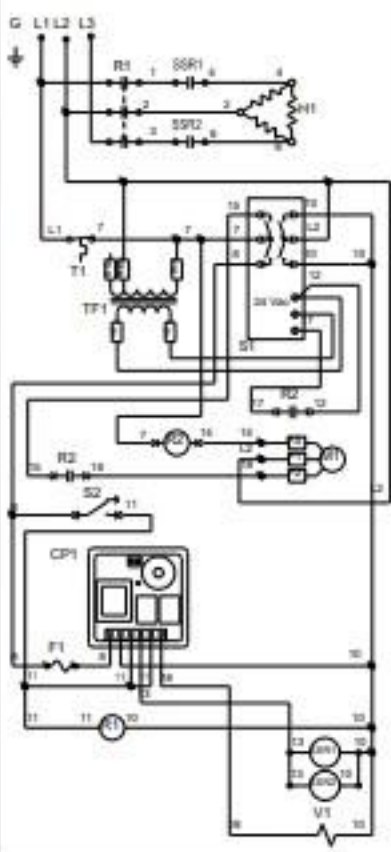
- COMPONENT LEGEND**
- F1- FU010UK FUSE, 500 mA
 - CP1- CP0086 CONTROL, TIME & TEMP
 - FN1- FN0058 COOLING FAN, 230V
 - H1/H2/H3- C0030/C0031 CALROD, 5675W@208V/230V
 - M1-M0121 MOTOR/PUMP, 208-230V
 - R1-R0150 CONTACTOR, 50A 4P
 - R2-R196 RELAY, DPDT 220/240V
 - S1-S0712 SWITCH, TOUCH ON/OFF
 - S2-S0054 SWITCH, ROLLER ARM
 - SSR1-R0195 RELAY, SSR, 90A, 20-275VAC
 - SSR2 /
 - T1- T0036 THERMOSTAT, HIGH LIMIT
 - TB1-TB0125 #4, 4 P TERMINAL BLOCK
 - TB2-TB0003 #8, 3 POLE SECTION
 - TB0004 #8, 3 POLE END SECTION
 - TB0109 TERMINAL END STOP
 - TF1 - TF0054 TRANSFORMER, 24 Vac
 - V1- SV0001 VALVE, SOLENOID, 240V



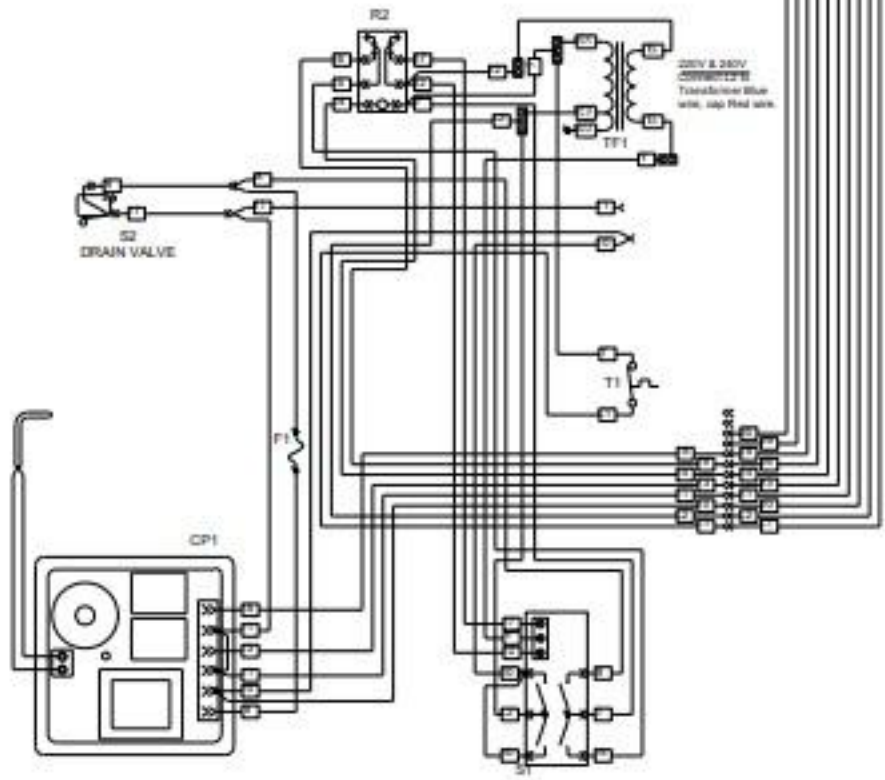
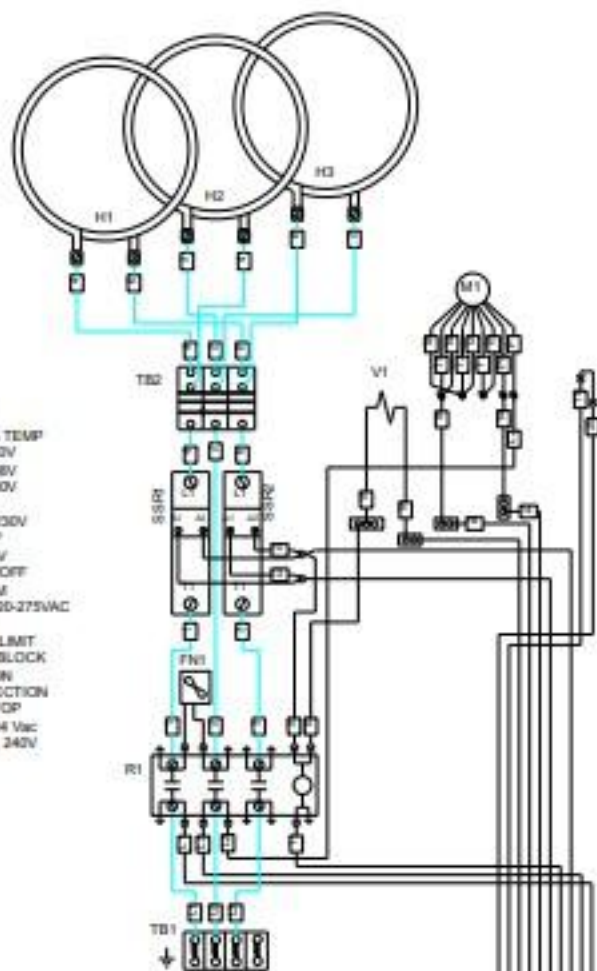
Wiring Diagrams

REV	ECO	DESCRIPTION	DATE
01	18-090	PRODUCTION RELEASE	07/20/18

LADDER DIAGRAM



- COMPONENT LEGEND
- F1- FJ010UK FUSE, 500 mA
 - CP1- CP0005 CONTROL, TIME & TEMP
 - FN1- FN0058 COOLING FAN, 230V
 - H1/H2/H3 CAL.ROD, 5675W@208V
 - H2-C0031 CAL.ROD, 5675W@230V
 - H3
 - M1-M0121 MOTOR/PUMP, 208-230V
 - R1-R0150 CONTACTOR, 50A 4P
 - R2-R196 RELAY, DPOT 220/240V
 - S1-S0712 SWITCH, TOUCH ON/OFF
 - S2-S0054 SWITCH, ROLLER ARM
 - SSR1-R0195 RELAY, SSR, 90A, 20-275VAC
 - SSR2 /
 - T1-T0036 THERMOSTAT, HIGH LIMIT
 - TB1-TB0125 4H, 4 P TERMINAL BLOCK
 - TB2-TB0003 4E, 3 PLE SECTION
 - TB0004 4E, 3 PLE END SECTION
 - TB0100 TERMINAL END STOP
 - TF1 - TF0054 TRANSFORMER, 24 Vac
 - V1-SV0001 VALVE, SOLENOID, 240V



Model	VOLTAGE	AMPS	KELLOWATTS	BREAKER SIZE	
FKM-F	208	47.3	17.0	60	
PHASE	NO. of WIRES				
3	3 + Gnd	220	37.5	14.3	50
Drawn By	Date				
TAH	11/09/2017	240	41.0	17.0	50

THE COMBINATION OF FACTS, DATA, DESIGN ELEMENTS, ENGINEERING DATA, MANUFACTURING DATA AND ASSEMBLY DATA WHICH MAY BE CONTAINED IN THIS DRAWING ARE OF A PROPRIETARY NATURE TO BQ. THESE MATERIALS ARE NOT TO BE LOANED OR COPIED WITHOUT PRIOR WRITTEN PERMISSION FROM STANDEX CORP. ALL RIGHTS ARE RESERVED.

Drawing Number **SB19196500**