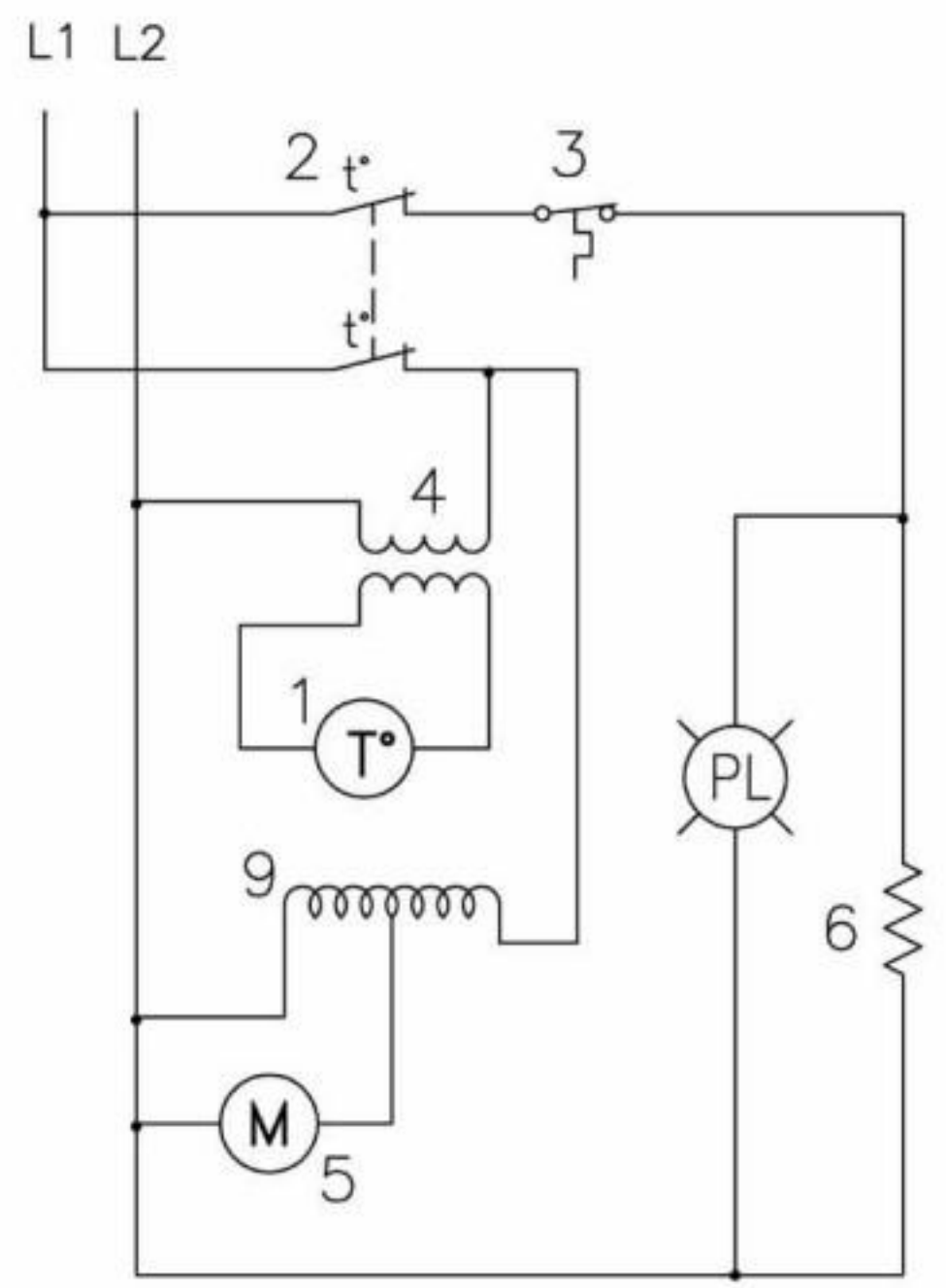
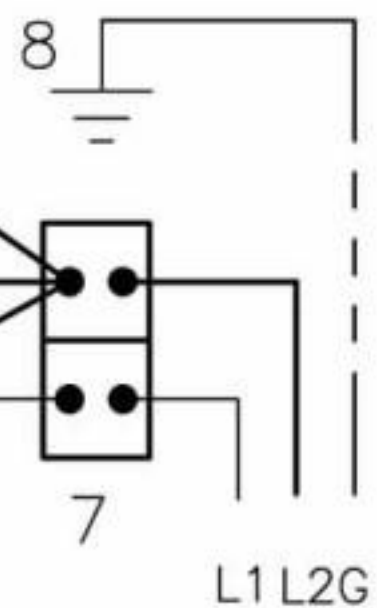


- 1- DIGITAL THERMOMETER 240V #TG0026
- 2- THERMOSTAT 250° #T0031
- 3- HI-LIMIT #T0057
- 4- TRANSFORMER 220/6V (INCLUDED W/ TG0026)
- 5- BLOWER MOTOR 115V #M0030
- 6- CALROD 240V, 1700W #C0316
- 7- TERMINAL BLOCK #TB0025-2
- 8- TERMINAL LUG #F0011
- 9- TRANSFORMER 230/115V, 50 VA #TF0035

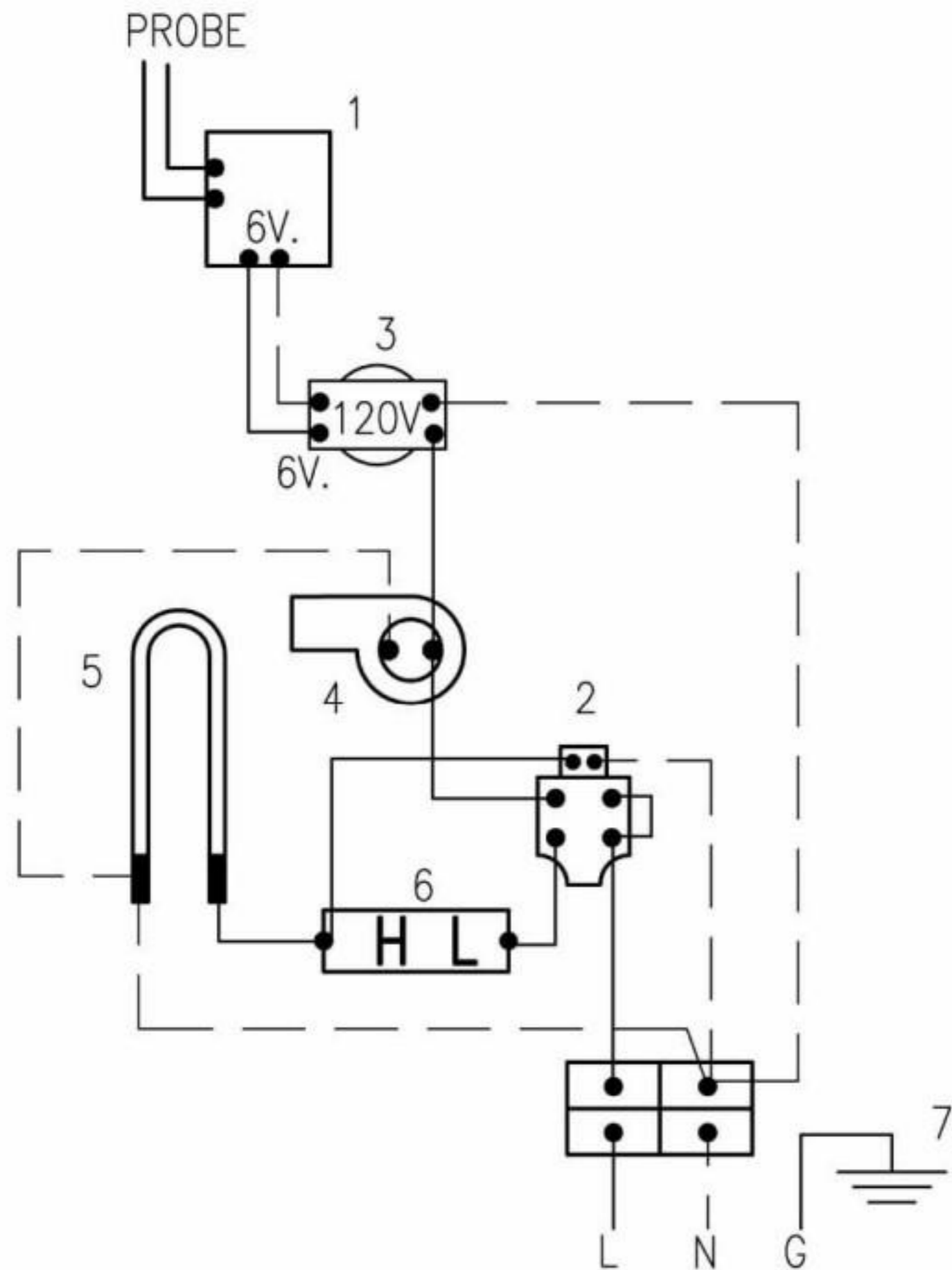
NOTE:  
VOLTAGE BETWEEN L1-L2 TO BE NO MORE THAN 240V



- - - - - GREEN (GND)  
 ———— BLACK (L1)  
 ———— RED (L2)  
 - · - · - · YELLOW



DOMESTIC

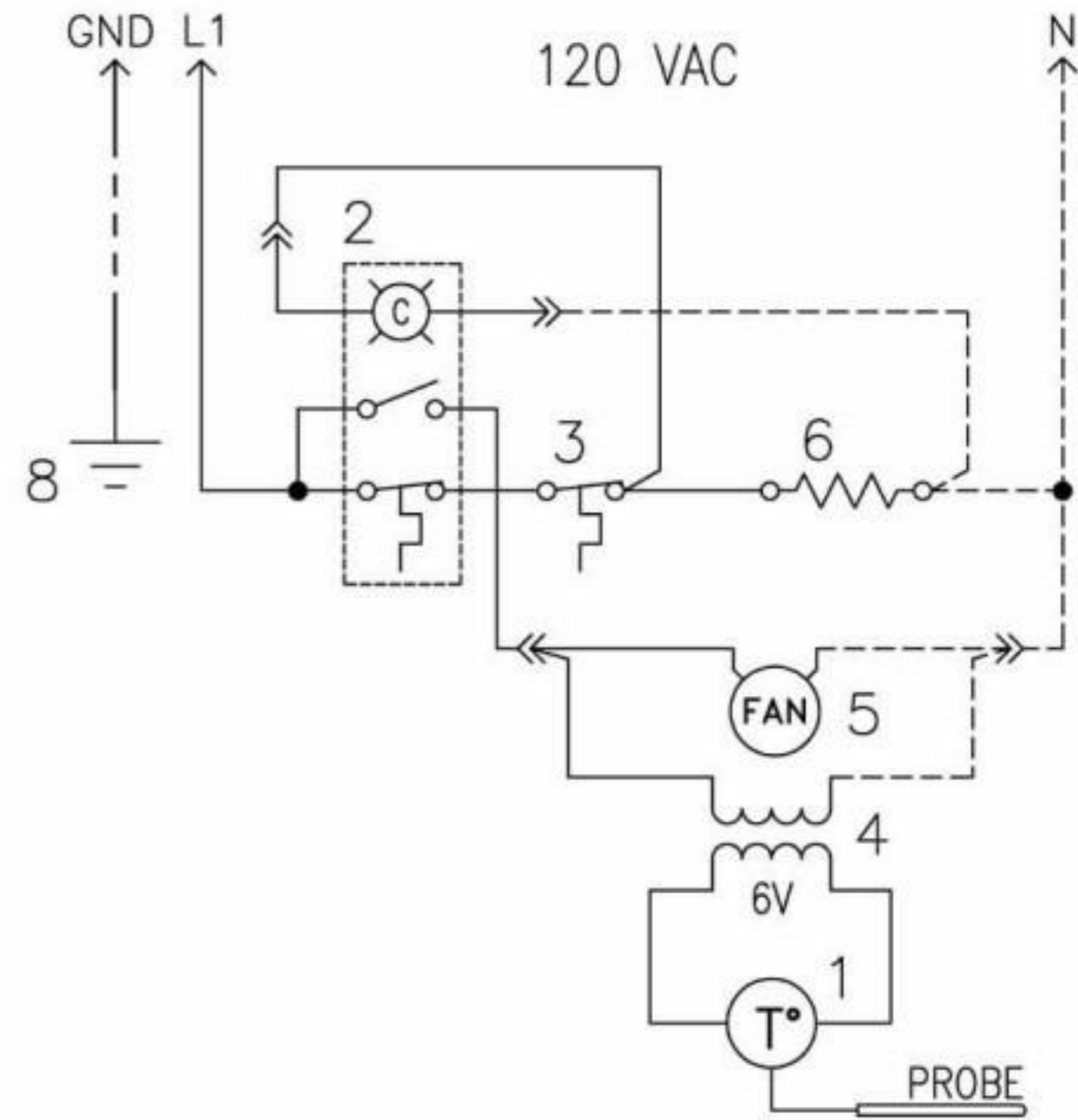
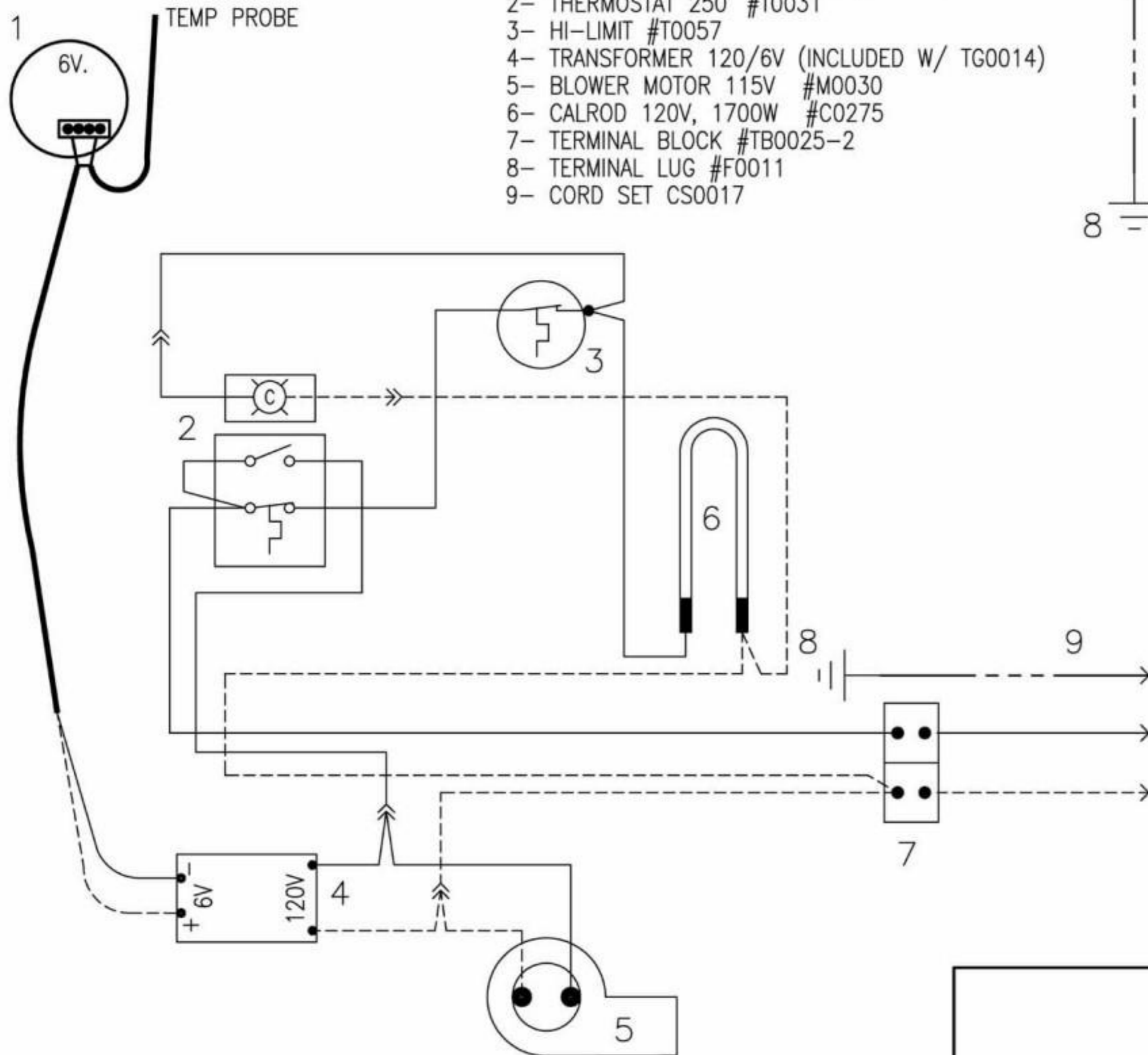


- 1- DIGITAL THERMOMETER #TG0014
- 2- THERMOSTAT 250° #T0031
- 3- TRANSFORMER 120/6V. (INCLUDED W/TG0014)
- 4- BLOWER MOTOR 115V. #M0030
- 5- CALROD 120V. 1700W. #C0275
- 6- HI LIMIT #T0057



TITLE WIRING DIAGRAM-120 V.  
HHC

- 1- DIGITAL THERMOMETER 120V #TG0014
- 2- THERMOSTAT 250° #T0031
- 3- HI-LIMIT #T0057
- 4- TRANSFORMER 120/6V (INCLUDED W/ TG0014)
- 5- BLOWER MOTOR 115V #M0030
- 6- CALROD 120V, 1700W #C0275
- 7- TERMINAL BLOCK #TB0025-2
- 8- TERMINAL LUG #F0011
- 9- CORD SET CS0017



- - - - - GREEN (GND)  
 \_\_\_\_\_ BLACK (L1)  
 - - - - - WHITE (N)



REV. No.

TYPE | SIZE

DRAWING No.

S A 380900