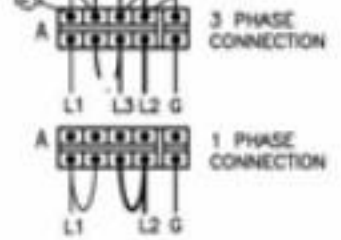
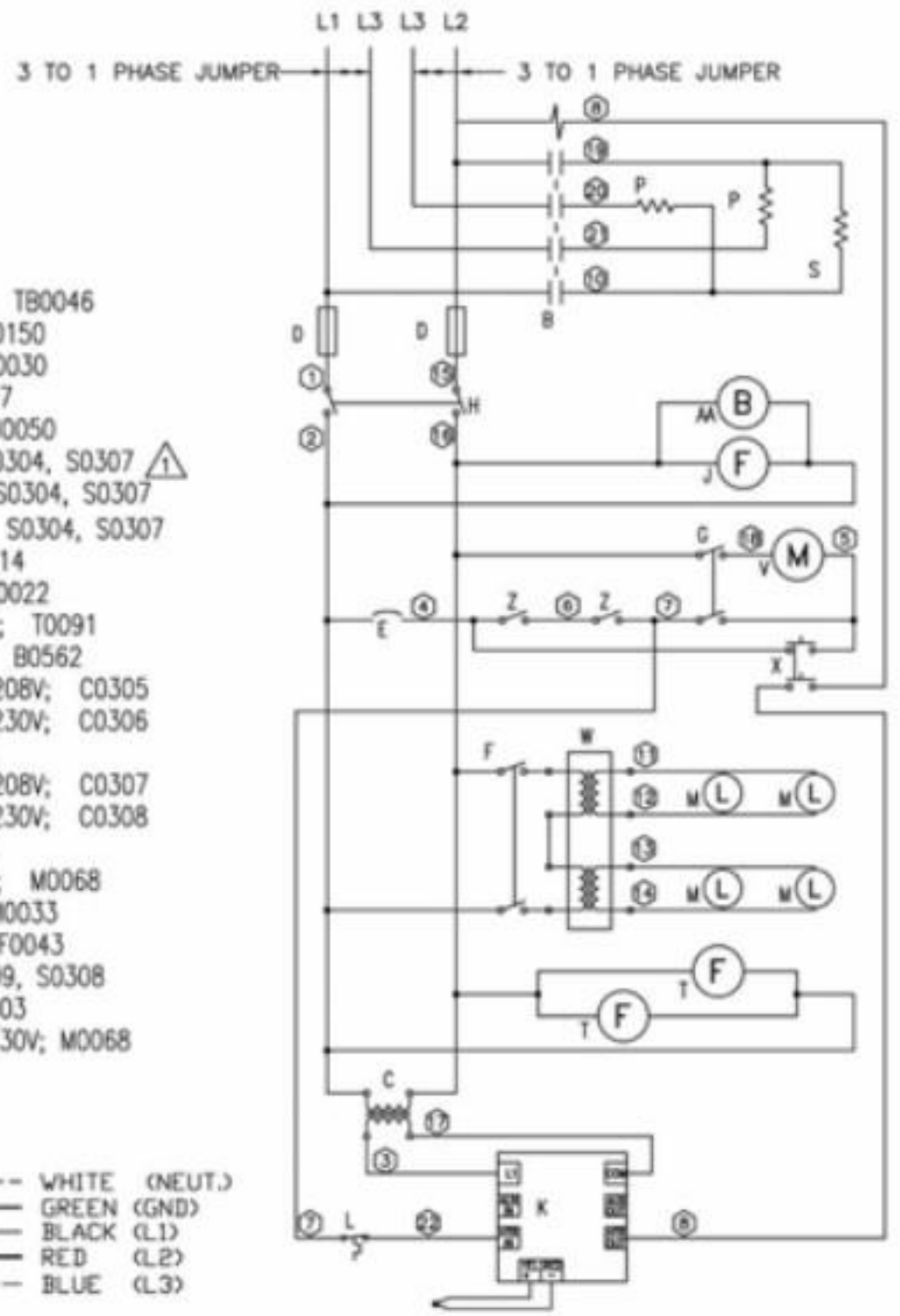


- A- TERMINAL BLOCK; TB0046
- B- 4 POLE RELAY; R0150
- C- TRANSFORMER; TF0030
- D- FUSE, 15A; F0097
- E- BREAKER, 3A; CB0050
- F- LIGHT SWITCH; S0304, S0307 ⚠
- G- MOTOR SWITCH; S0304, S0307
- H- ON/OFF SWITCH; S0304, S0307
- J- FAN, 230V; FN0014
- K- CONTROLLER; CP0022
- L- HIGH LIMIT SWITCH; T0091
- M- LAMP, 12V, 20W; B0562
- P- CALROD, 3900W, 208V; C0305  
CALROD, 3900W, 230V; C0306  
4246.5W @ 240V
- S- CALROD, 2200W, 208V; C0307  
CALROD, 2200W, 230V; C0308  
2395.5W @ 240V
- T- FAN MOTOR, 230V; M0068
- V- ROTOR MOTOR; M0033
- W- TRANSFORMER; TF0043
- X- JOG SWITCH; S0309, S0308
- Z- MICROSWITCH; S0003
- AA-BLOWER MOTOR, 230V; M0068



- WHITE (NEUT.)
- GREEN (GND)
- ===== BLACK (L1)
- ===== RED (L2)
- BLUE (L3)

TO BE USED WITH EB105913



APPROVED BY ADM	DATE 4/23/98	MODEL No. (MSR) 105	VOLTAGE 240	PHASE 1 OR 3	No. OF WIRES 2 OR 3	AMPS. 48.2 OR 30.7	KILOWATTS 11.5	BREAKER SIZE 60 OR 35
APPROVED BY ADM	DATE 4/23/98	MODEL No. (MSR) 105	VOLTAGE 208	PHASE 1 OR 3	No. OF WIRES 2 OR 3	AMPS. 51.3 OR 32.5	KILOWATTS 10.6	BREAKER SIZE 60 OR 40

1 of 1

REV. No. #00-288 ADM ⚠ TYPE SIZE DRAWING No. S, B, 105912