



30 Pine Street • New Rochelle • New York • 10801

914 / 576 - 0200

914 / 576 - 0605

1 - 800 - 431 - 2745

www.bakerspride.com

fax

US & Canada

web address

# DS-805/GS-805

*Gas Deck Oven*

## PARTS LIST



Model Number: **DS-805**  **GS-805**

Serial Number: \_\_\_\_\_

**Type of Gas**

Natural  L.P.  Other

# DS-805/GS-805

Gas Deck Oven

30 Pine Street • New Rochelle • New York • 10801

914 / 576 - 0200

914 / 576 - 0605 fax

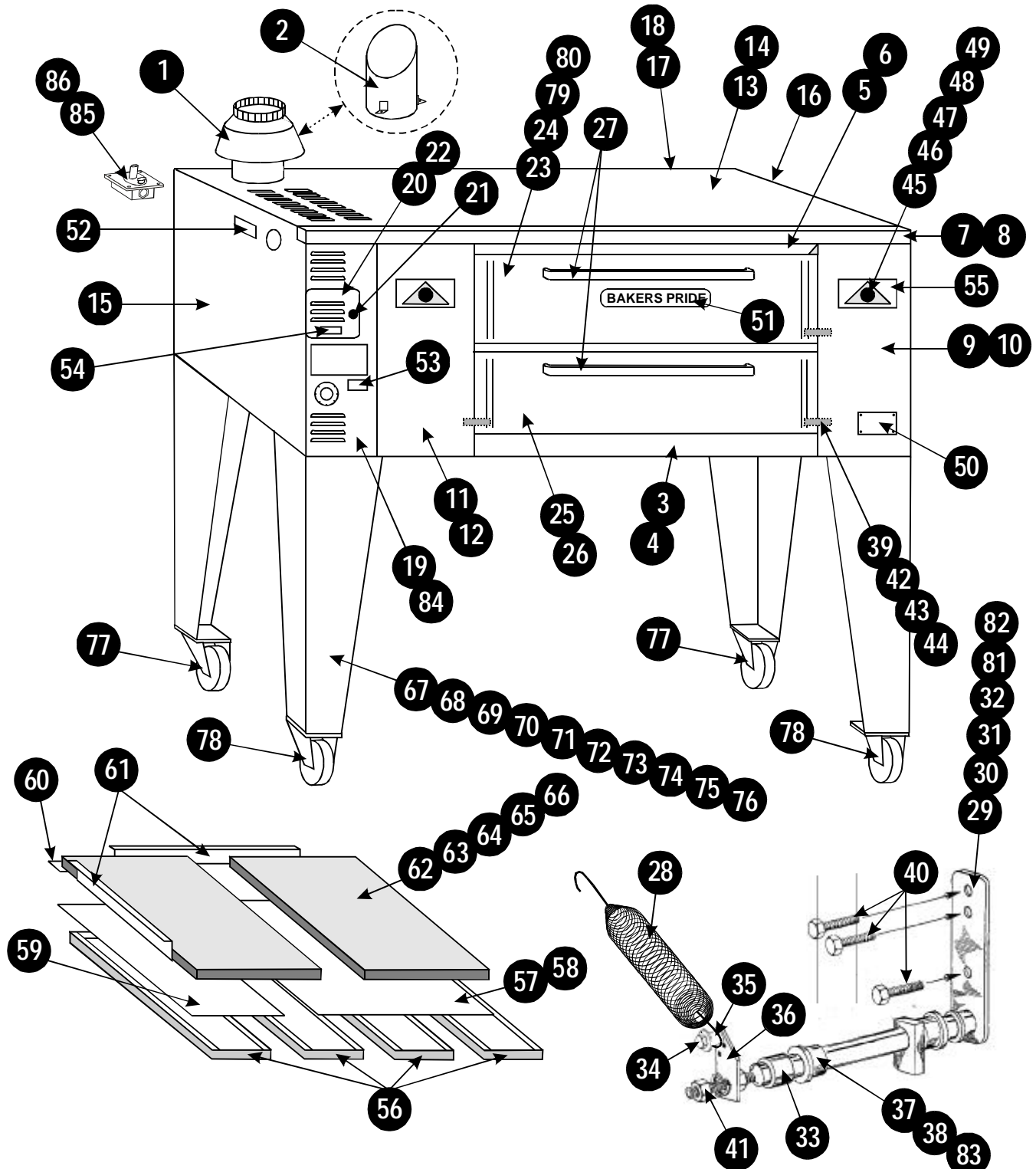
1 - 800 - 431 - 2745 US & Canada

www.bakerspride.com web address



Figure A

## Exterior / Decks / Doors



Item	Part #	Description	Item	Part #	Description
<b>Exterior / Decks / Door</b>					
1	R3002Y	Flue Diverter, Direct Vent	41	Q2401A	Nut, Door Rod (9/16-18)
2	R3115Y	Flue Diverter, Collection Hood	42	S3009X	Pin, Door, Right Side (9/16"-18 x 3")
3	A3019X	Bottom Apron, S/S, DS	43	S3138X	Sleeve Assy, Door Pin
4	A3020X	Bottom Apron, S/S, GS	44	Q3023X	Spacer Kit, Door Pin
5	A3017X	Top Apron, S/S, DS	45	S3012X	Push-Pull Rod
6	A3018X	Top Apron, S/S, GS	46	S1005X	Knob, Push-Pull, 3/8"-16
7	A3016X	Top Trim, S/S, DS	47	Q2217A	Bolt, Push-Pull Rod (1)
8	A3015X	Top Trim, S/S, GS	48	Q2306A	Nut, Push-Pull Rod (2)
9	A3010X	Front Panel, Right, S/S, DS	49	Q3009A	Flat Washer, Push-Pull Rod (2)
10	A3011X	Front Panel, Right, S/S, GS	50	U1041A	Plate, Minimum Clearance
11	A3007X	Front Panel, Left, S/S, DS	51	U1043X	Bakers Pride Logo, (13 3/4")
12	A3008X	Front Panel, Left, S/S, GS	52	U1210A	Label, Warning
13	A3023U	Outer Top, S/S, DS	53	U1230A	Label, Inst. Under Vent Hood
14	A3025U	Outer Top, S/S, GS	54	U1240A	Label, Unit For Use Only With.....
15	A3037U	Outer Side, Left, S/S, DS, GS	55	U1224A	Plate, Push-Pull
16	A3039K	Outer Side, Right, S/S, DS, GS	56	A3140X	Hearth Frame Assy, 12" (4) DS, (3)GS
17	A3029U	Outer Back Assy, S/S, DS	57	A3184A	Hearth Liner Sheet, 25" x 36" (1) DS
18	A3031U	Outer Back Assy, S/S, GS	58	A3185A	Hearth Liner Sheet, 23" x 36" (1) DS, GS
19	A3183U	Control Panel Assy, S/S, DS, GS	59	A3186A	Hearth Liner Sheet, 13" x 36" (1) GS
20	A4129U	Combination Valve Door Assy, S/S	60	A4140Z	Shim, Hearth (each)
21	S1153X	Knob	61	K1099K	Wedge, Hearth, 30" (2)
22	S3203X	Latch Assy, Magnetic	62	T1102Y	Hearth Baking Deck, 24x36x1 1/2 (ea) DS
23	A3002W	Door Assy, Top, DS	63	T1107X	Hearth Baking Deck, 24x36x1 1/2 (Set/2) DS
24	A3003W	Door Assy, Top, GS	64	T1101Y	Hearth Baking Deck, 18x36x1 1/2 (ea) GS
25	A3004T	Door Assy, Bottom, DS	65	T1109X	Hearth Baking Deck, 18x36x1 1/2 (Set/2) GS
26	S3005X	Door Assy, Bottom, GS	66	T1008A	Hearth Fire Brick, 12x12x1 1/2 (ea)
27	S1002X	Handle w/2 Screws, Both Doors (17 1/2")	67	S1018Y	Legs, 12" (Set/4, w/Bolts)
28	S3004X	Spring, Top Door, 13/16" x 6 3/4"	68	S1018T	Leg, 12" (ea)
29	S3013W	Door Rod Assy, Left Side (3/4") DS	69	S1003Y	Legs, 16" (Set/4, w/Bolts)
30	S3013X	Door Rod w/Arm, Left Side (3/4") DS	70	S1003X	Leg, 16" (ea)
31	S3014W	Door Rod Assy, Left Side (3/4") GS	71	S1004Y	Legs, 30" (Set/4, w/Bolts)
32	S3014X	Door Rod w/Arm, Left Side (3/4") GS	72	S1004X	Leg, 30" (ea)
33	S3063X	Spacer Bushing, Door Rod	73	Q2102A	Bolt, Leg, 1/2-13 x 1 (ea)
34	Q2301X	Shoulder Bolt, 3/8-16 x 1"	74	S1076X	S/S Leg Wrap, 12" (Set/2)
35	S3007X	Teflon Bushing Assy	75	S1077X	S/S Leg Wrap, 16" (Set/2)
36	S3056X	Lever, Door Spring (3 1/2")	76	S1078X	S/S Leg Wrap, 30" (Set/2)
37	S3135X	Bushing w/Insert, Door Rod (3/4")	77	S1022X	Caster, No Lock (ea)
38	S3133X	Insert Only (Duralon)	78	S1023X	Caster, w/Lock (ea)
39	S3008X	Bushing, Door Pin (3)	N/S	M1002X	Automatic Oven Starter (7 Day Timer)
40	Q2303X	Bolt, Door Rod, 3/8-16 (5)	N/S	S3016X	Counter Weight Assy, Bottom Door

**Older Models**

79	A3166X	Door Assy, Top, Counterweight, DS, O/S	83	S3008X	Bushing, 9/16" (Door Rod O/S)
80	A3165X	Door Assy, Top, Counterweight, GS, O/S	84	A3014X	Control Panel Assy, FMEA
81	S3069X	Door Rod, Top w/Counterweight, DS, O/S	85	M1008X	Pressure Reg, Nat, 5"WC
82	S3070X	Door Rod, Top w/Counterweight, GS, O/S	86	M1009X	Pressure Reg, LP, 10"WC

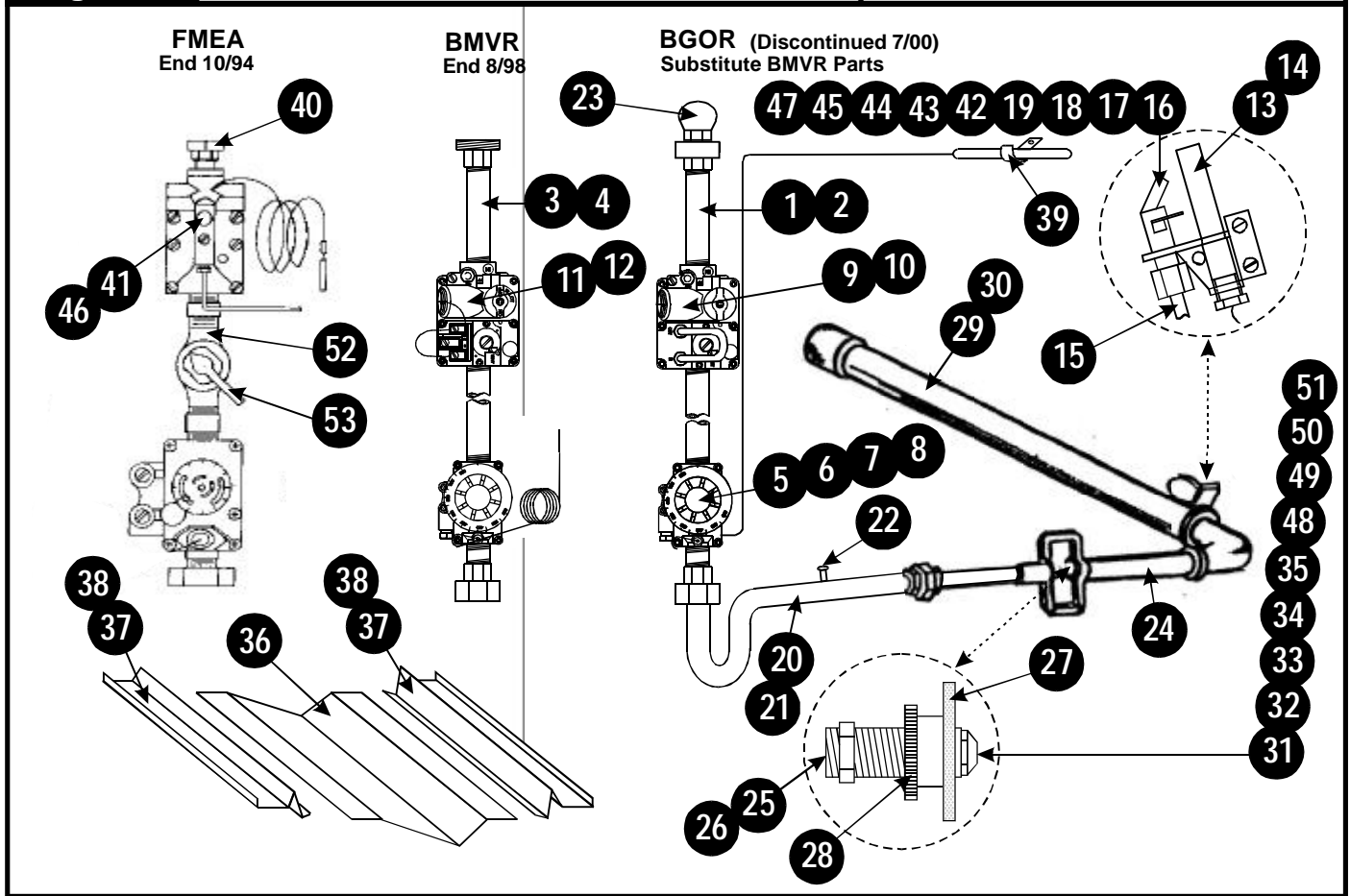
Qty	<b>BGOR Conversion Kit (LP to Nat)</b>		Qty	<b>BGOR Conversion Kit (Nat to LP)</b>	
1	R3118X	Orifice, Nat, #21 Drill, DS	1	R3131X	Orifice,LP #41 Drill, DS
1	R3117X	Orifice, Nat, #25 Drill, GS	1	R3129X	Orifice,LP #43 Drill, GS
1	M1297X	BGOR Valve Kit, Nat	1	M1221X	BGOR Valve Kit, LP
1	M1244X	Orifice, Pilot, Nat, 2 CHA-1 (.018")	1	M1245X	Orifice, Pilot, LP, 2 CHA-1 (.010")

Qty	<b>BMVR Conversion Kit (LP to Nat)</b>		Qty	<b>BMVR Conversion Kit (Nat to LP)</b>	
1	R3118X	Orifice, Nat, #21 Drill, DS	1	R3131X	Orifice,LP #41 Drill, DS
1	R3117X	Orifice, Nat, #25 Drill, GS	1	R3129X	Orifice,LP #43 Drill, GS
1	M1260X	BMVR Valve Kit, Nat	1	M1221X	BMVR Valve Kit, LP
1	M1244X	Orifice, Pilot, Nat, 2 CHA-1 (.018")	1	M1245X	Orifice, Pilot, LP, 2 CHA-1 (.010")

Qty	<b>FMEA Conversion Kit (LP to Nat)</b>		Qty	<b>FMEA Conversion Kit (Nat to LP)</b>	
1	R3009X	Orifice, Nat, #28 Drill, DS	1	R3131X	Orifice,LP #41 Drill, DS
1	R3054X	Orifice, Nat, #30 Drill, GS	1	R3058X	Orifice,LP #44 Drill, GS
1	M1008X	Pressure Regulator, 5"WC	1	M1009X	Pressure Reg, LP, 10"WC
1	M1056X	Orifice, Pilot, Nat, (.018")	1	M1057X	Pilot Orifice, LP (.010")

**Figure B**

**Controls / Interior Components**



Item	Part #	Description	Item	Part #	Description
1	* M1302P	Control Assy, Nat (w/BGOR Valve) DS,GS	21	R1001P	Manifold Assy, GS
2	* M1303P	Control Assy, LP (w/BGOR Valve) DS, GS	22	N3068P	Pressure Tap Nozzle Assy
3	M1283P	Control Assy, Nat (End 8/98, SN11852) BMVR, DS	23	R1061P	Gas Inlet Assy
4	M1286P	Control Assy, LP (End 8/98, SN2962) BMVR, GS	24	L5001X	Inspirator #3
5	M1005X	Thermostat, Gas, FDTH (650F)	25	R3007X	Spud Assy #3
6	S1056X	Knob, Thermostat, 650F	26	R3004A	Spud Holder #3
7	M1390X	Thermostat, High Heat, Elec (Opt.)	27	R3005A	Adjusting Disc, #3
8	S1207X	Knob, Thermostat, High Heat (1-10)	28	R3006A	Locking Disc, #3
9	* R3152X	Valve, Nat, BGOR	29	L5006P	Burner w/Cap & Elbow, DS, GS
10	* R3154X	Valve, LP, BGOR	30	L5006X	Burner, Complete, DS, GS
11	R3104X	Valve, BMVR, Nat (End 8/98, SN11852)	31	R3131X	Orifice, LP, #41 Drill, DS
12	R3124X	Valve, BMVR, LP (End 8/98, SN2962)	32	R3129X	Orifice, LP, #43 Drill, GS
13	M1296X	Thermocouple, T46 (72")	33	R3118X	Orifice, Nat, #21 Drill, DS
14	M1265X	Thermopile (End 8/98, SN11852-DS, SN2962-GS)	34	R3117X	Orifice, Nat, #25 Drill, GS
15	R3035X	Pilot Tubing, S/S, 3/16" x 60"	35	R3008X	Orifice, Blank - Not drilled
16	M1220X	Pilot Burner, Natural, w/Ftgs, 2 CHA-1	36	A3079X	Flame Diverter, Slide Out, DS,GS
17	M1222X	Pilot Burner, LP, w/Fittings, 2 CHA-1	37	A3081X	Flame Diverter, Side (2) DS
18	M1244X	Orifice, Pilot, Nat, 2 CHA-1 (.018")	38	A3082X	Flame Diverter, Side (2) GS
19	M1245X	Orifice, Pilot, LP, 2 CHA-1 (.010")	39	Q4021X	Capillary Clip (2)
20	R1002P	Manifold Assy, DS			

**\*Discontinued 7/00.** Substitute BMVR parts listed above. ALWAYS INCLUDE #M1265X Thermopile.

**Older Models**

40	M1065X	Control Assy, (w/FMEA Valve) DS, GS	47	K1374X	Pilot Burner Conversion Adaptor, #54 to #11E
41	M1004X	Valve, FMEA (Thermocouple Included)	48	R3009X	Orifice, Nat #28 Drill (5"WC) DS
42	M1054X	Pilot Burner, Nat, w/Fittings, #11E (FMEA)	49	R3054X	Orifice, Nat, #30 Drill (5"WC) GS
43	M1055X	Pilot Burner, LP, w/Fittings, #11E (FMEA)	50	R3131X	Orifice, LP, #41 Drill LP (10"WC) DS
44	M1056X	Pilot Orifice, Nat (.018") Used w/FMEA Valve	51	R3058X	Orifice, LP, #44 Drill LP (10"WC) GS
45	M1057X	Pilot Orifice, LP (.010") Used w/FMEA Valve	52	R3001X	1/2" Gas Valve w/Handle
46	M1003X	Valve, FMDA (For Auto Oven Starter)	53	S1001T	Handle, 1/2" Gas Valve