



OPERATION MANUAL  
SUPERDECK SERIES GAS DECK OVENS  
**SERIES: Y600 & Y800**



**BUILT BY CRAFTSMEN. TESTED BY TIME®.**



## FLOOR MODEL GAS DECK OVEN OPERATION MANUAL

### FLOOR MODEL GAS DECK OVENS

**Series:**

**Y600 and Y800**

All gas operated Bakers Pride® deck ovens are intended for use with the type of gas specified on the rating plate and for installation will be in accordance with National Fuel Gas Code ANSI Z223.1 (latest edition).

Please retain this manual for future references.

#### **⚠ WARNING**

**FOR YOUR SAFETY:** Do not store or use gasoline or other flammable vapors or liquids in the vicinity of this or any other appliance.

#### **⚠ WARNING**

**IMPORTANT INSTRUCTIONS:** After the gas supply has been connected to your unit, it is extremely important to check piping for possible leaks. To do this, use soap and water solution or solutions that are expressly made for this purpose. **DO NOT USE** matches, candles, flames, or other sources of ignition since these methods are extremely dangerous. Post in a prominent location instructions to be followed in the event you smell gas. Obtain these instructions from your local gas supplier.

#### **NOTICE**

Only Pizza or Bread can have direct contact with Fibrament decks. All other food products must be placed in a pan or container to avoid direct contact with ceramic decks.

#### **⚠ CAUTION**

Improper installation, adjustment, alteration, service or maintenance can cause property damage, injury or death. Read the installation, operating and maintenance instructions thoroughly before installing or servicing this equipment.

#### **NOTICE**

Instructions to be followed in the event the user smells gas must be posted in a prominent location in the kitchen area. This information shall be obtained from the local gas supplier.

#### **⚠ WARNING**

California Residents Only

**WARNING:** This product can expose you to chemicals including chromium which is known to the State of California to cause cancer and birth defects or other reproductive harm. For more information go to [www.P65Warnings.ca.gov](http://www.P65Warnings.ca.gov).

This equipment is design engineered for commercial use only.

**BAKERS PRIDE OVEN COMPANY, LLC.**

1307 N. Watters Rd., Suite 180  
Allen, TX 75013

Phone: 800.527.2100 | Fax: 914.576.0605 | [www.bakerspride.com](http://www.bakerspride.com)

P/N U4282A REV B 03/2021



# FLOOR MODEL GAS DECK OVEN OPERATION MANUAL

## TABLE OF CONTENTS

<b>INSTALLATION INSTRUCTIONS</b>	<b>2</b>	<b>OPERATING INSTRUCTIONS</b>	<b>8</b>
<b>RECEIVING</b>	<b>2</b>	<b>LIGHTING PROCEDURE</b>	<b>8</b>
<b>CLEARANCES</b>	<b>2</b>	<b>BREAKING IN</b>	<b>8</b>
<b>ASSEMBLING THE STAND</b>	<b>3</b>	<b>BAKING</b>	<b>8</b>
<b>INSTALLATION WITH CASTERS</b>	<b>4</b>	<b>RECOMMENDED OPERATING PROCEDURE</b>	<b>8</b>
<b>PIZZA DECKS</b>	<b>4</b>	<b>HELPFUL HINTS</b>	<b>9</b>
<b>(A) THREE DECK INSTALLATION</b>	<b>4</b>	<b>CLEANING AND MAINTENANCE</b>	<b>9</b>
<b>(B) FIVE DECK INSTALLATION</b>	<b>4</b>	<b>OVEN EXTERIOR</b>	<b>9</b>
<b>GAS AND ELECTRIC CONNECTIONS</b>	<b>5</b>	<b>CONTROL PANEL</b>	<b>9</b>
<b>FLUE CONNECTION-VENTILATION</b>	<b>6</b>	<b>FLUE VENT</b>	<b>10</b>
<b>(A) UNDER VENTILATION HOOD</b>	<b>6</b>	<b>OVEN INTERIOR</b>	<b>10</b>
<b>(B) DIRECT VENTING</b>	<b>6</b>	<b>(A) BAKING CHAMBER</b>	<b>10</b>
<b>MAIN BURNER SAFETY PILOT OPERATION</b>	<b>6</b>	<b>(B) BAKING DECKS</b>	<b>10</b>
<b>(A) PILOT BURNER LIGHTING PROCEDURE</b>	<b>7</b>	<b>(C) BURNER COMPARTMENT</b>	<b>10</b>
<b>(B) PILOT BURNER FLAME ADJUSTMENTS</b>	<b>7</b>	<b>TROUBLESHOOTING CHART</b>	<b>11</b>
<b>BURNER OPERATION</b>	<b>7</b>	<b>EXPLODED VIEWS &amp; PARTS LISTS</b>	<b>12</b>
<b>(A) MAIN BURNER</b>	<b>7</b>	<b>WIRING DIAGRAMS</b>	<b>16</b>
<b>(B) AERATION &amp; BY-PASS FLAME ADJUSTMENT</b>	<b>7</b>	<b>WARRANTY</b>	<b>17</b>
<b>THERMOSTAT CALIBRATION</b>	<b>7</b>		
<b>FLAME DIVERTERS</b>	<b>7</b>		

EN 437 Gas Cat.	Gas and Supply Pressures	Designated European Market = ◆															
		A T	B E	D K	F I	F R	G R	D E	I E	I T	L U	N L	P T	E S	S E	G B	
I2H	G20 @ 20mbar	◆		◆	◆				◆	◆			◆	◆	◆	◆	
I2L	G25 @ 25mbar											◆					
I2E	G20 @ 20mbar							◆			◆						
I2E+	G20/25 @ 20/25mbar		◆			◆											

For North America:	
TYPE OF GAS	MANIFOLD PRESSURE
Natural	3.5" Water Column
LP	10" Water Column

Models Covered:					
MODEL	BTU/HR	KW	MODEL	BTU/HR	KW
Y-600	120,000	35.15			
Y-800	120,000	35.15			

LP Gas models are not available for European Community Countries.

## INSTALLATION INSTRUCTIONS

### Receiving:

Read the notice on the outside carton regarding damage in transit. Damage discovered after opening crate(s)/ carton(s) is 'CONCEALED DAMAGE' and the carrier must be notified immediately to send an inspector and also to furnish forms for the consignee's claim.

When the oven arrives, it should consist of:

- a) A crate or carton containing your new oven.
- b) A carton containing 4 legs with mounting hardware.
- c) A strapped skid containing baking decks.

Place the oven and parts as close as possible to the area of final installation before uncrating.

### ⚠ WARNING

In MASSACHUSETTS: All gas products must be installed by a "Massachusetts" licensed plumber or gas fitter. Ventilation hoods must be installed in accordance with NFPA-96, current edition, with interlocks as described in that standard.

### ⚠ WARNING

Installation must conform with local codes and/or with the latest edition of the ANS Z-223.1 National Fuel Gas Code in USA (CAN/CGA-B 149.1 or 2 Installation Code in Canada).

### ⚠ WARNING

This appliance must be installed by a competent person in accordance with the rules in force. In the U.K. Corgi registered installers (including the regions of British Gas) undertake to work to safe and satisfactory standards. This appliance must be installed in accordance with the current Gas Safety (Installation and Use) Regulations and the relevant Building Regulations/IEE Regulations. Detailed recommendations are contained in the British Standard Codes Of Practice BS 6172, BS 5440:Part 2 and BS 6891.

### Clearances:

	Combustible Construction	Non-Combustible Construction
Minimum Clearance from: Left Side	3" (75mm)	0"
Minimum Clearance from: Right Side	1" (25mm)	2"
Minimum Clearance from: Rear	3" (75mm)	2" (51mm)

### Set Up:

The oven must be installed in a well-ventilated area.

Your oven is packed standing on its back. Leave it on its back while unpacking. The skid may be left under the oven for convenience in further handling. Unpack carefully to avoid damage to the oven. If concealed damage is found, follow the instructions detailed in Receiving Section.

Keep the area around the oven free and clear of combustible materials. Do not store any materials on top of or under any oven. The provision of an adequate air supply to your oven for ventilation and proper gas combustion is essential. As a minimum, observe the clearances detailed in Section 2. Provide adequate ventilation and make up air in accordance with local codes.

Fit the flue diverter supplied (See Fig.1) into the hole located at top rear of the oven and secure with screws for installing the oven under a ventilation hood. For Direct Venting, Optional Draft Hood (Fig. 2) must be placed into the hole. Direct Venting not available for European Community Countries. Local inspectors and ventilation specialists should be consulted to make sure that the installation of the hood conforms to the local codes and requirements (See Fig. 3). In UK ventilation requirements as detailed in BS 5440 should be followed.

Access to the bottom front door and left side control panel is for day to day operation of the oven and for servicing. Make these areas are kept unobstructed for easy access.

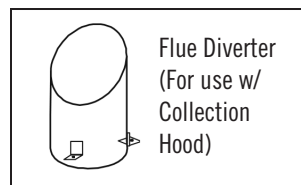


Figure 1



Figure 2

## INSTALLATION INSTRUCTIONS

### Assembling The Stand:

Legs are shipped in a separate carton complete with mounting bolts.

- a) Bolt four legs to the four of the stand using the supplied 3/8-16 x 3/4 bolts, flat washers, and lock washers. (See Fig. 4).
- b) Bolt side braces and rear brace to legs using supplied 3/8-16 x 3/4 bolts, lock washer, and flat washer. (See Fig. 5).
- c) Using proper lifting equipment, lower the oven from its back to its bottom. Lift the unit and set on stand. (See Fig.6).
- d) Move the oven to its final location keeping the minimum clearances from the back of the oven to the wall. This clearance is necessary for safe operation and to provide proper air-flow to the burner chamber.

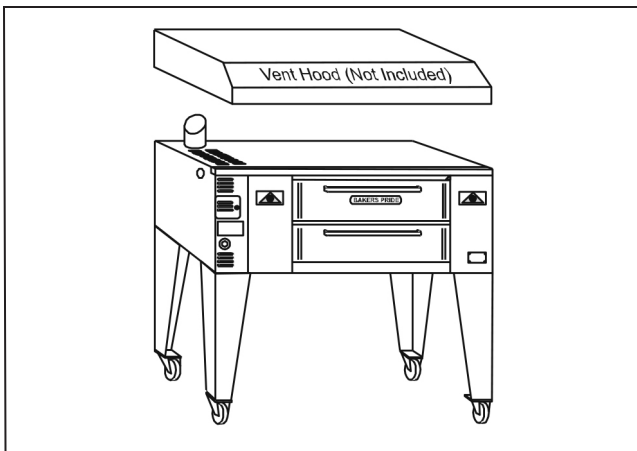


Figure 3

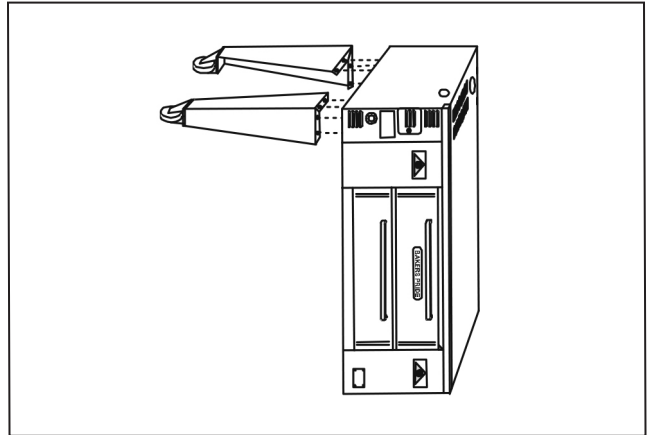


Figure 4

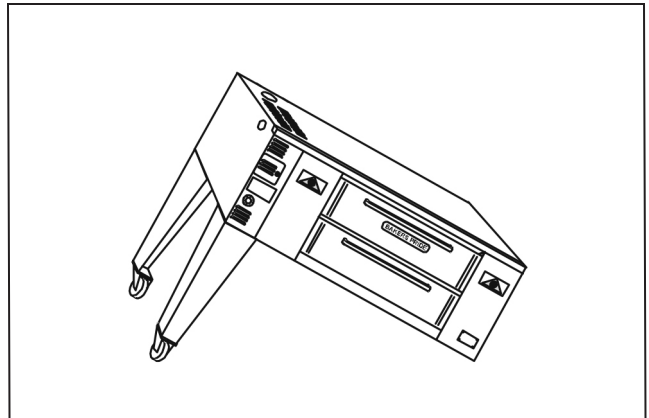


Figure 5

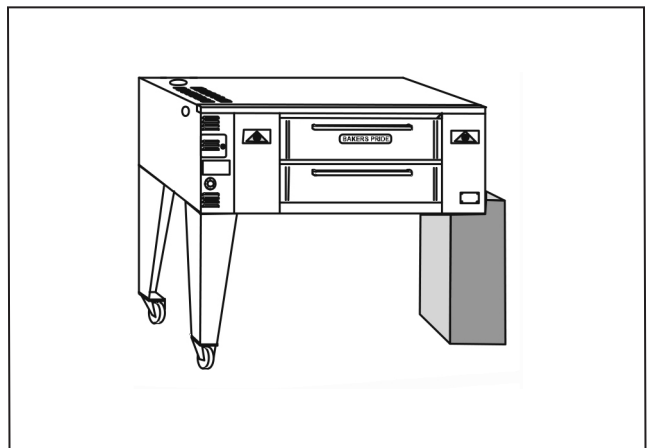


Figure 6

## INSTALLATION INSTRUCTIONS

### Installation With Casters (Optional):

Four Casters (two with wheel brakes) and the mounting hardware is packed and included in the shipment if ordered. Install casters with wheel brakes on the front of the unit.

### NOTICE

Installation should be made with a connector that complies with the latest edition of the Standard for Connectors for Movable Gas Appliances ANSI Z21.69 in the USA (CAN CGA-6.16 in Canada) and a quick disconnect device that complies with the latest edition of the Standard for Quick Disconnect Devices for use with gas fuel ANSI Z21.41 in the USA (CAN CGA 1-6.9 in Canada) and adequate means must be provided to limit the movement of the appliance without depending on the connector and any quick disconnect device or its associated piping.

The restraint should be attached to the rear legs of the oven on which casters are mounted. If disconnection of the restraint is necessary to move the oven for servicing needs, the restraint should be reconnected after the appliance has been returned to its originally installed position.

### Pizza Deck:

- Remove all packing material, samples, shims, etc. from the baking chamber leaving the two metal hearth liner sheets on the baking chamber floor. Make sure that the two metal hearth liner sheets cover the entire bottom of the chamber.
- Depending on the model, three or five slabs of the Pizza Deck are provided with the oven. This material is heavy, and fragile, and should be handled carefully.

### ⚠ WARNING

DO NOT install the baking stones until you have read the pre-drying instructions. Failure to pre-dry the stones can result in severe damage to your oven and void the manufacturer's warranty.

### A. Three Deck Installation:

- Slide one deck into the baking chamber and push it as far as possible to one side.
- Slide the second deck into the baking chamber on the side opposite to the first deck.
- Slide the third deck into the center section.
- Use metal shims to level the decks.
- Use wedges in the back and on the sides of the deck if the decks are loose. The three decks should be tight against each other with no gap between them (See Fig. 7).
- Put the hearth trim in place between the deck and the door.

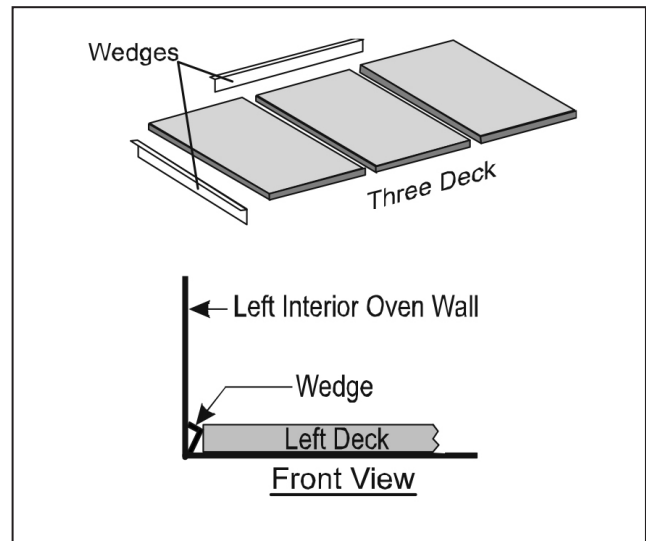


Figure 7

### B. Five Deck Installation:

- Slide one deck into the baking chamber and push it as far as possible to one side.
- Slide the second deck into the baking chamber on the side opposite to the first deck.
- Slide the third and the fourth decks in the same as the first two decks.
- Slide the fifth deck into the center section.

## INSTALLATION INSTRUCTIONS

- (e) To minimize warpage and extend the life of the Fibrament Stones, they must be pre-dried before use.
- (1) KEEP THE OVEN DOOR CLOSED DURING THE ENTIRE PRE-DRYING PROCESS.
  - (2) Let the baking stones adjust to room temperature before beginning.
  - (3) Preheat the stones with the pilot burner on for 1 hour.
  - (4) Increase the temperature to below 300°F to maintain a flame height of less than a 1/4"). Maintain this setting for 3 hours
  - (5) After 3 hours increase temperature to 300°F for 1 hour, then 400°F for 1 hour, and then 500°F for 1 hour.
  - (6) DO NOT ALTER THIS PROCESS, failure to properly pre dry stones can cause warping, cracking, or shattering with explosive force.
- (f) Use metal shims as needed to level the decks.
- (g) Use wedges in the back and on the sides of the deck if the slabs are loose. The five decks should be tight against each other with no gap between them (See Fig. 8).
- (h) Put the hearth trim in place between the deck and the door.

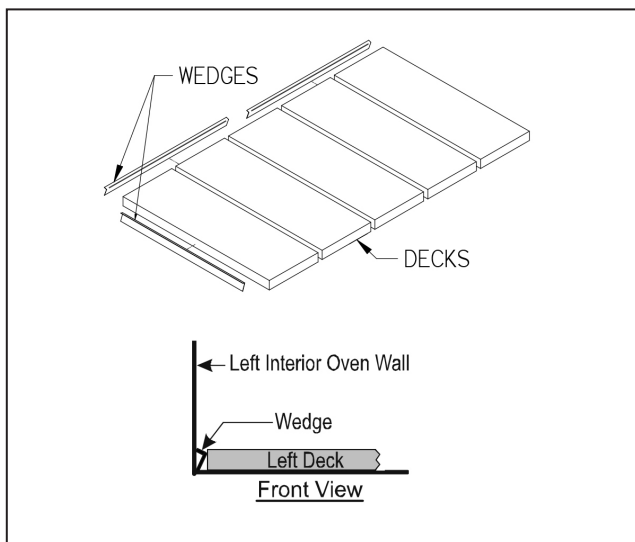


Figure 8

### NOTICE

If the side wedges are pushed in too tight, the heat controls, operated by the black knobs, located on the front of the oven, will not slide freely.

### Gas and Electric Connections:

Propane gas units are not available in the European Community Countries.

- (a) The appliance when installed must be electrically grounded in accordance with local codes and/or the latest edition of the National Electric Code ANSI/NFPA 70 in USA (Canadian Electric Code CSAC22.2 in Canada).
- (b) In Europe, appliance must be connected by an earthing cable to all other units in the complete installation and thence to an independent earth connection in compliance with EN 60335-1 and/or local codes.
- (c) The ovens should not be installed on the same line with space heaters, boilers or other gas equipment with high intermittent demand.
- (d) Use a pipe joint compound that is resistant to the action of liquefied petroleum gases when making gas connections.
- (e) For Propane gas, use at least 1/2" (13 mm) pipe or tubing with a 5/8" (16 mm) inside diameter. For Natural gas, use 3/4" (19 mm) pipe.
- (f) The appliance must be isolated from the gas supply piping system by closing its manual shut-off valve during any pressure testing of the gas supply piping system at **test** pressures equal to or less than 1/2 psig (3.45kpa).
- (g) The appliance and its shut-off valve must be disconnected from the gas supply piping system during any pressure testing of that system at pressures in excess of 1/2" psig (3.45kpa).

## INSTALLATION INSTRUCTIONS

- (h) The gas pressure regulator is part of the combination valve and is adjusted to yield a pressure of 3.5" water column (9mbar) for Natural Gas. If the oven is ordered for use on Propane Gas, the pressure regulator in the combination valve is preset at the factory to yield a pressure of 10" water column (25 mbar). Units for use on Propane Gas are not available for European Community Countries.
- (i) A separate shut-off valve for each oven must be provided. It should be as close as possible to the place where the gas supply line goes into the oven. It must be located such that it is easily accessible.
- (j) When stacking with another oven, two shut-off valves, one for each of the two ovens, must be provided.

### **⚠ WARNING**

After the Gas Supply has been connected, it is extremely important to check all the piping for leaks. Use a soap and water solution or a product expressly made for this purpose. Do not use Matches, Candles or a flame etc to check leaks since these methods are extremely dangerous.

#### **Flue Connection - Ventilation:**

##### **(A) Installation Under Ventilation Hood (Standard):**

If the oven is installed under a collection hood, use the flue diverter (Fig. 1) supplied. Local inspectors and ventilation and environmental specialists should be consulted so that the design and the installation of the hood conforms to the local/ municipal codes (see Fig. 3).

##### **(B) Direct Venting (Optional) Not Available For European Community Countries:**

If direct venting, it is necessary to install a draft hood (Fig. 2). The flue pipe from the draft hood must not run downwards at any point from the oven to the final outlet. It should always slant slightly upwards. For best results it should rise straight up.

### **NOTICE**

Do not put a damper in the flue and do not connect a blower directly to the flue.

If the flue runs directly to the free air outside the building, use a wind deflector or a UL listed vent cap at the end of the flue pipe. Termination of the vent must be at least 2 feet above the highest part of the roof within 10 feet (Ref: American Gas Association Catalog No.Xh0474).

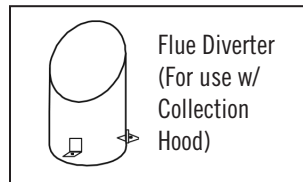


Figure 1



Figure 2

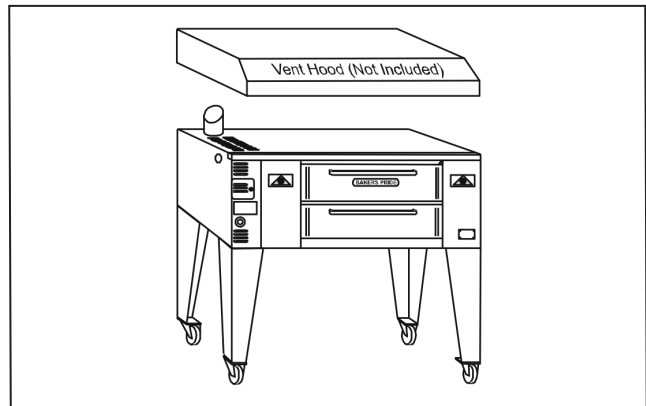


Figure 3

#### **Main Burner Safety Pilot Operation:**

The purpose of the safety pilot system is to lock the gas supply to the main burner at the safety valve, if for any reason the pilot burner is not lit. Oven should be re-lighted by following the steps given below. However, in normal service, the pilot flame stays lit indefinitely, day and night or weekends. This prolongs the life of the safety valve.

The safety pilot valve is in effect a two-stage control. After initial lighting, the pilot burner stays on without the gas cock dial being held pressed in. After 1-2 minutes, the valve opens fully to let the gas flow past the safety pilot valve into the burner system.

## INSTALLATION INSTRUCTIONS

### Pilot Burner Lighting Procedure:

- (a) Turn the red handle on gas shut off valve to 'OFF' (horizontal) position.
- (b) Wait for five minutes to allow gas, which may have accumulated in the burner compartment, to escape.
- (c) Depress "RED" button on pilot safety valve and light Pilot Burner. Hold in pressed position for about 1/2 minute (30 seconds), and release the "RED" button. The Pilot Burner should now remain lit.

If Pilot Burner fails to ignite or does not remain lit, repeat the steps (a) through (c).

### Pilot Burner Flame Adjustment:

It is important to have the correct Pilot Burner Flame size as shown in Fig. 10. If necessary, adjust the Pilot Burner Flame by turning Pilot Adjust Screw (See Fig. 11) clockwise to reduce or counterclockwise to increase.

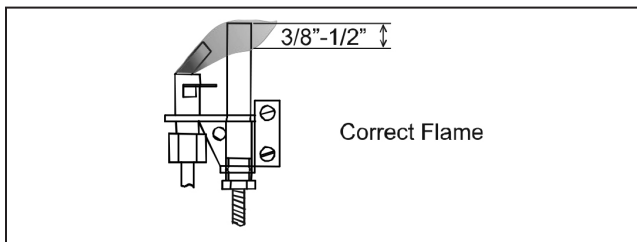


Figure 10

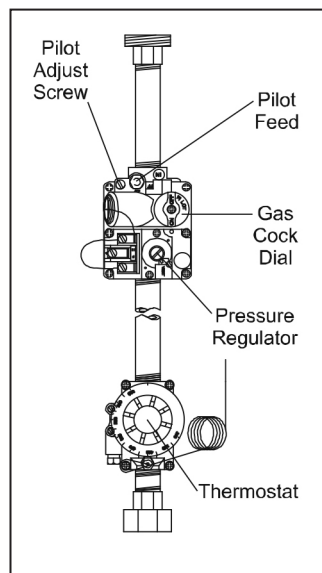


Figure 11

### Burner Operation:

#### (A) Main Burner:

After the pilot burner is ignited, when heat is desired, turn gas cock dial to 'ON'() position and set the thermostat dial to the desired temperature. The oven burner flame should always have a blue appearance. That indicates a good mixture of gas and air. When using LP gas, the flame will have a blueyellow appearance.

Should the Burner fail to light, check to see if there is a problem with the gas supply. If there are other appliances on the same line, shut them off temporarily and see if the burner comes back on, or it fluctuates as other gas appliances are turned on and off. That would indicate overloading of the gas supply lines or a faulty gas pressure regulator. Contact an authorized Service Agency or your local Gas Supply Company.

#### (B) Aeration And By-Pass Flame Adjustment:

Flame and air mixer adjustments and the By-Pass Flame adjustment for the Main Burner are done at the factory. These adjustments are sealed before the oven leaves the factory. **Contact an authorized Service Agency if you need help.**

### Thermostat Calibration:

No attempt should be made to calibrate the thermostat because it is accurately calibrated and sealed by the manufacturer. **Contact an authorized Service Agency if you need help.**

### Flame Diverters:

Flame diverters distribute the heat evenly below the baking deck. They must be in good condition and properly placed above the burners in the burner chamber in order to be effective. Damaged or improperly installed flame diverters adversely affect the oven performance. Make sure that the 'V' shaped diverters are pushed all the way to the back of the oven as far as they will go. Check them periodically and replace them as necessary.



## OPERATING INSTRUCTIONS

### NOTICE

Only Pizza and Bread Products can have direct contact with Fibrament Decks. All other food products must be placed in a pan or containers to avoid direct contact with Fibrament Decks.

### ⚠ WARNING

If gas odor is detected at any time, immediately shut-off the gas supply valve for the oven. Do not permit any open flames in the area of the oven. Immediately contact an authorized Service Agency or your local Gas Supply Company.

### ⚠ CAUTION

Initial heating of the oven must be done in a well ventilated area as it may generate smoke or fumes. Over exposure to smoke or fumes may cause nausea or dizziness.

#### Lighting Procedure:

- (a) Light the Main Burner following the instructions in Lighting Section of the Installation Instructions.
- (b) Keep the Push/Pull Slides fully open.

#### Breaking In:

It is important to break-in, to dry out the deck and the insulation, before baking in a new oven:

- (a) Set the thermostat at least 50°F (10°C) lower than your baking temperature.
- (b) Pre-heat the oven for 1 to 3 hours before use.
- (c) After pre-heating, raise the temperature to your baking temperature.
- (d) Experiment baking until you get the feel of the oven and the speed of the bake.

#### Baking:

Pizza can be baked on the deck, on a screen or in a pan. When you determine the combination of ingredients and temperature that gives the right bake for your crust, sauce, and cheese combination, and your customer's taste, mark and keep it.

Deck baking refers to baking Pizza directly on the deck. Generally it is a thin product that requires temperature of at least 550°F (290°C).

Screen baking refers to baking Pizza on a screen. The screen lifts the Pizza off the deck. The screen may be removed near the end of the bake time to give the bottom of the Pizza crispier crust and a darker color. Bake temperatures range from 500°F (260°C) to 550°F (290°C).

Pan baking refers to baking Pizza in pans. Crusts can be thick or thin and toppings range from light to heavy. Baking temperatures for pan baking range from 450°F (235°C) to 500°F (260°C).

#### Recommended Operating Procedure:

It is very important that at the end of day's operation, the gas cock dial of the Main Burner is turned to the pilot position, leaving only the pilot burner 'ON' overnight. Keep the Pizza Push/Pull slides fully open.

#### Pre-heating:

- (a) Turn the gas cock dial of the main burner to the 'ON' position.
- (b) Preheat the oven for 1 to 3 hours at 50°F (10°C) lower than your baking temperature, with Push/Pull Slides fully open.

#### Baking:

- (a) After pre-heating, raise the thermostat setting to your baking temperature.
- (b) Check the bottom color of the Pie and close the push/pull slides partially (halfway) after the 4th or 5th bake to maintain the desired color.

When slow or idling, open the push/pull slides fully and set the thermostat at least 50°F (10°C) lower than your baking temperature.



## OPERATING INSTRUCTIONS

### Helpful Hints:

- (a) An instructions plate is attached behind the damper knobs indicating how to set the oven for more top or bottom heat. Opening the dampers allow more heat to enter the baking chamber from the combustion/burner compartment. Closing the dampers keep more heat in the combustion/burner compartment to keep the baking deck hotter.
- (b) If the oven is up to Pizza baking temperature and has not been used for a while, there is a tendency for the baking deck to get hotter. In this condition, when you put in one Pizza, **TURN THE THERMOSTAT UP**, so that the main burner flame is burning at its fullest, providing the extra heat needed to balance the bottom heat. The thermostat should be turned down back to the normal setting as soon as you have baked the Pizza.
- (c) Frequently scrape and brush off decks to remove burnt residue which can cause an 'off' flavor and bake times to increase.
- (d) Heavily topped Pizza or Pan Pizza requires lower bake temperatures and longer bake times as compared to a regular thin Pizza with light toppings.
- (e) Bubbles in fresh dough indicate under proofed or cold product. Allow the dough balls to proof to double in size and warm temperature before baking.
- (f) Any type of Pan or Screen may be used in this oven. When choosing pans, be sure to pick a pan which is closest in height of your product. Dark color pans and screens transfer heat better than light colored aluminum pans or screens. They must be seasoned before use.

## CLEANING AND MAINTENANCE

This appliance must be serviced by an Authorized Service Technician only. Disconnect the power supply before cleaning or servicing the oven.

Regular and thorough cleaning will help to keep the ovens operating properly. If service is required, contact an Authorized Service Agency, your dealer or the factory to obtain a qualified technician for the required maintenance/service.

### Oven Exterior:

- (a) Deposits of baked-on splatter and grease, or discoloration may be removed with the stainless steel cleaner or by using any commercial cleaner recommended for stainless steel. **RINSE WELL**
- (b) A thin coat of light oil will add to the appearance of the oven.

### **NOTICE**

Apply stainless steel cleanser only when the oven is cold. Always rub with the grains and apply very light pressure.

### Painted Surfaces:

- (a) Washing with mild soap and water solution is adequate to keep the painted surfaces clean.
- (b) Apply a thin coat of oil to protect and enhance the finish.

### Control Panel:

Every six months (more frequently if the oven is used heavily) the bottom door spring mechanism and all moving parts must be inspected for wear.

### **NOTICE**

Do not apply grease to spring lever shoulder bolt, spring roller or the door rod and the door pin. They have a self-lubricating insert that will be damaged if lubricated.



---

## CLEANING AND MAINTENANCE

### **Flue Vent:**

Ventilation system must be inspected every six months and maintained clean and free of obstructions.

### **Oven Interior:**

Clean the oven interior only when the oven is cold. Use only the detergent solutions and cleaners that meet the national and / or local codes.

### **(A) Baking Chamber:**

Clean the ceiling and the walls of the baking chamber with a mild soap and water solution. Do not use oven cleaners, caustic solutions or mechanical means as they will damage the interior aluminized surface.

### **(B) Baking Decks:**

The baking decks are heavy and fragile. They should be handled carefully. The baking decks should be cleaned by using a long-handled scraper and stiff wire brush. At the end of each day, turn the thermostat up to its maximum setting and let the oven sit at that temperature for at least 1/2 hour. This will burn off the food spilled onto the baking decks during day's production and turn it into ash. This ash can be brushed off the next day before turning the oven on. The baking decks should be scraped and brushed during the day also to help keep them clean. To remove excessive crumbs or carbon, the baking decks and the oven cavity may be vacuumed when the oven is cold. Do not use water or other liquids on the baking decks as that may cause them to crack. After long use, heavily soiled baking decks may be cleaned by turning over after scraping down and brushing off. This will burn off the heavily soiled side of the baking decks. This procedure may be repeated as needed.

### **(C) Burner Compartment:**

Vacuum out any carbon, crumbs or residue in the burner compartment and all around the doors. The holes and louvers on the outer surfaces of the oven must be kept free of obstructions to allow free movement of air into the controls and for proper combustion. The burner ports and crossover holes should be kept free of carbon and other deposits.



## FLOOR MODEL GAS DECK OVEN OPERATION MANUAL

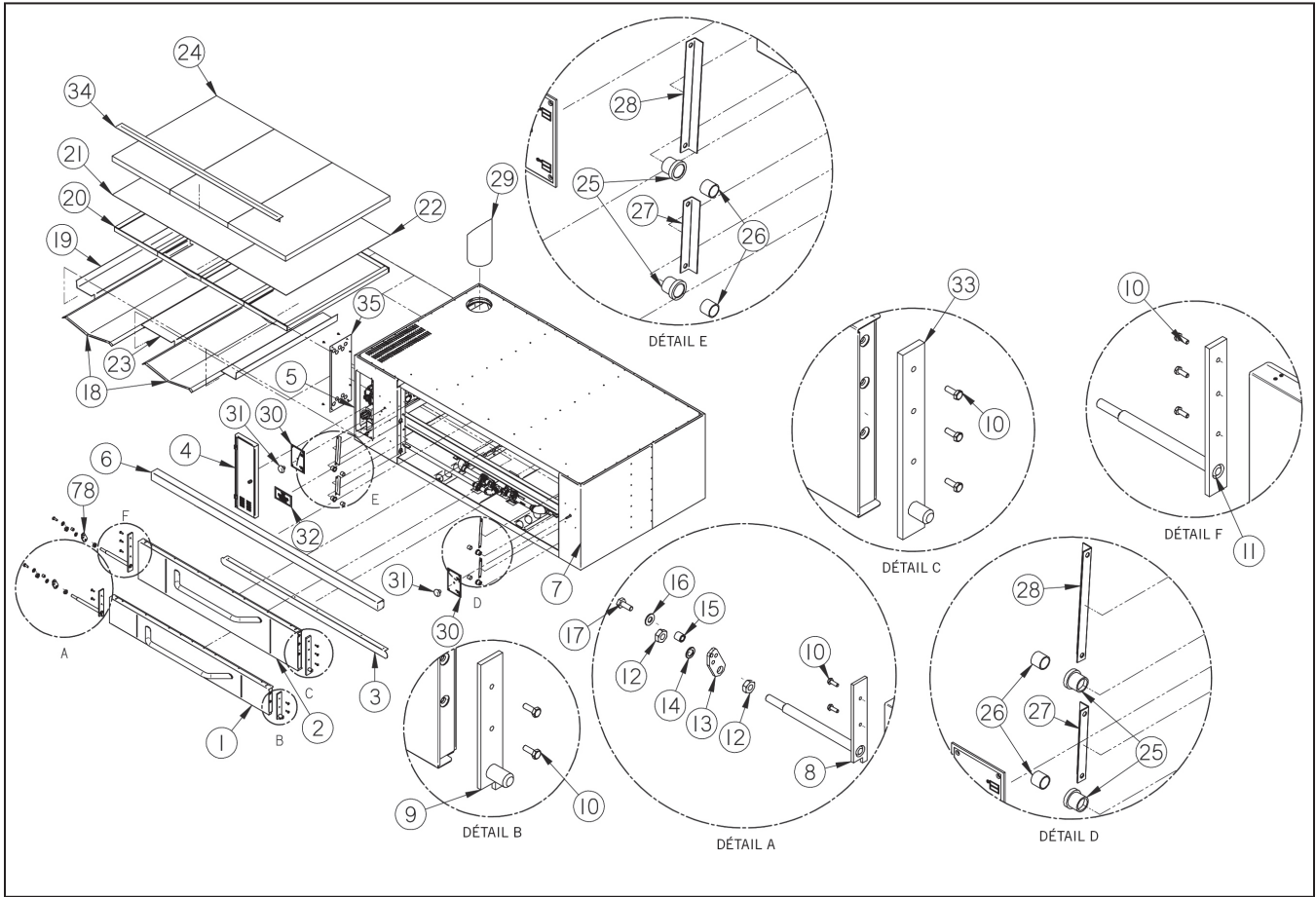
### CLEANING AND MAINTENANCE

#### Troubleshooting Chart

PROBLEM	PROBABLE CAUSE	REMEDY
No Pilot Light	Gas valve feeding oven may be in the closed position	Turn gas valve on. Relight pilot.
Main Burner(s) do not light	Gas valve feeding oven may be in the closed position	Turn gas valve on. Relight pilot.
	Thermopile may not be positioned in pilot flame.	Ensure that the tip of thermopile is in pilot flame.
	Thermopile may be defective	Call local authorized Bakers Pride Service Agent.
Oven too Hot	Thermostat set too high.	Lower the thermostat setting and see if flame reduces in size. Allow several hours for heat to regulate.
	Thermostat may be defective	Call local authorized Bakers Pride Service Agent.
Bottom of pies are undercooked	If the same area of the deck is used repeatedly, the deck temperature in that area will be reduced.	Rotate pies to unused areas of the bake deck that are hotter and will cook the bottoms faster.
	Micro slides are open too much.	Close micro-slides (pull out) until desired combination is reached. This will help decrease top heat
Bottom of pies burn before toppings are cooked	Deck temperature too hot - especially during slow periods.	Reduce thermostat setting by 50° - 75° below normal bake temperature. When decks cool begin cooking and immediately increase the thermostat setting by 50° - 75°.
	Micro slides are closed too much	Open micro slides (push-in) to increase top heat.
	Oven was left "ON" overnight	Oven must be turned to "Pilot" position overnight. It should not be left on a high temperature setting.
	Exhaust fan too powerful.	Reduce fan speed.
Pies cook Unevenly	Area's adjacent to oven walls are generally hotter.	Rotate pies (180°), once during each bake or keep to the center of oven.
Oven does not turn On or Off on time. (Ovens equipped w/auto oven starter only)	Power cord not plugged in.	Plug unit in.
	Electrical outlet fuse/circuit breaker is tripped.	Replace fuse or reset circuit breaker.
	Timer incorrectly set.	Reset Timer.
Unit takes too long to reach temp.	Gas volume or gas pressure may be inadequate.	Contact gas supplier.
		Call local authorized Bakers Pride Service Agent.

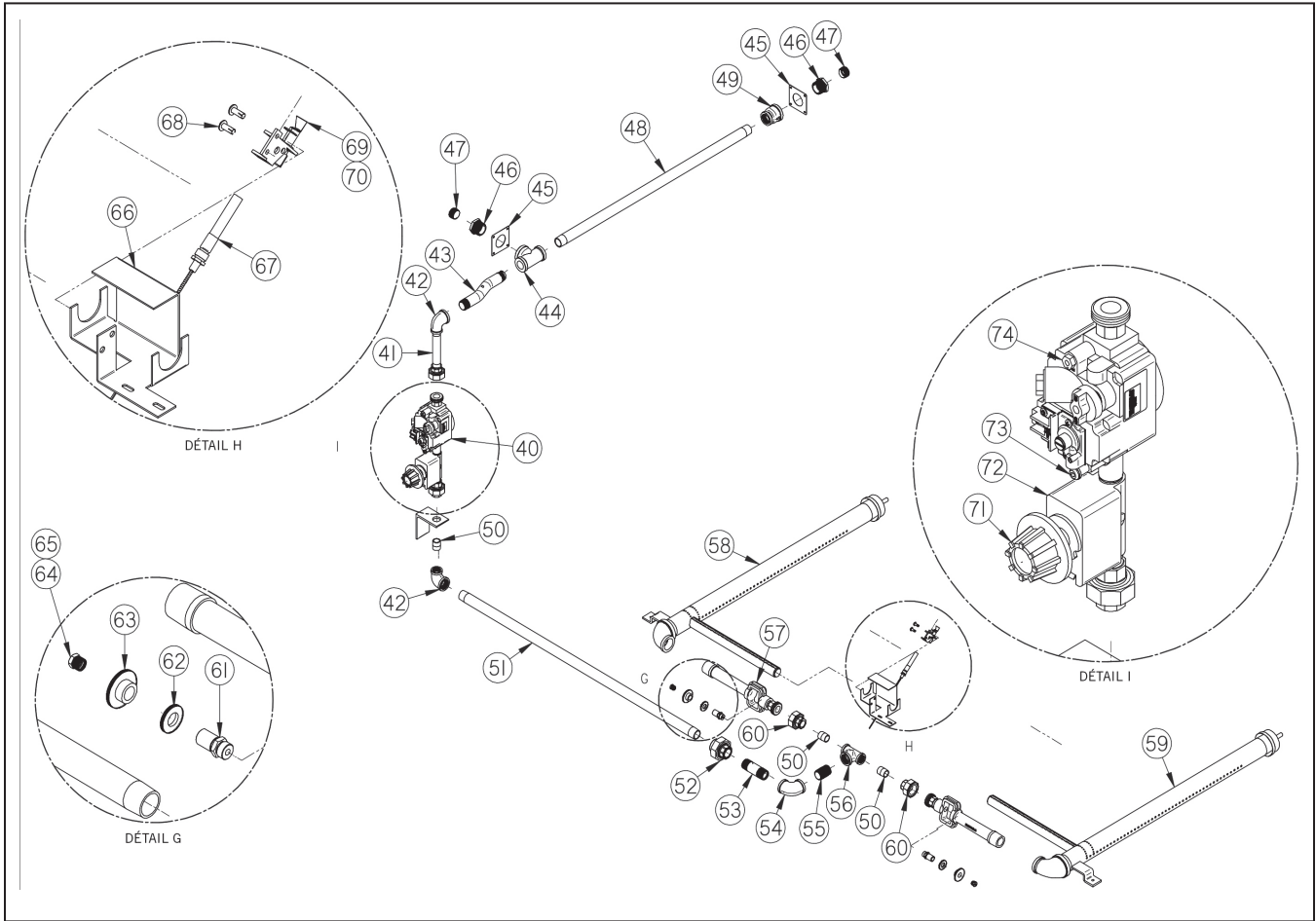
**EXPLODED VIEWS & PARTS LISTS**

**Exploded View – Y600/Y800**



**EXPLODED VIEWS & PARTS LISTS**

**Exploded View – Y600/Y800 Controls/Burners**





FLOOR MODEL GAS DECK OVEN OPERATION MANUAL

EXPLODED VIEWS & PARTS LISTS

Parts List – Y600

ITEM	PART #	QTY	DESCRIPTION
1	21910330	1	ASSY, BOTTOM DOOR Y600/800
2	21910331	1	ASSY, TOP DOOR Y600/800
3	A8057K	1	BOTTOM TRIM
4	A4980T	1	CONTROL PANEL SLEEVE, SS
5	21910188	1	PANEL, FRONT CONTROL SIDE
6	A8056K	1	TOP TRIM
7	21910189	1	PANEL, FRONT RT SIDE
8	21910332	1	WELDMENT, LOWER DOOR ARM LT
9	21910316	1	WELDMENT, LOWER DOOR ARM RT
10	Q2025A	10	BOLT, 1/4-20 X 3/4 HEX HD ZINC
11	21910310	1	WELDMENT, TOP DOOR ARM LEFT
12	Q2401A	2	NUT, HEX 9/16-18
13	S3276A	1	DOOR SPRING ARM, 2.78" BOTTOM
14	Q3007A	1	WASHER, 9/16 SPLIT LOCK
15	S3007A	2	BUSHING ASSY, PTFE 5/63 X .56
16	Q3010A	4	WASHER, 3/8-7/16 X 1" X 5/64 FLAT
17	Q2301A	1	BOLT, 3/8-16 X 9/32 X 1 SHOULDER
18	A3079K	2	FLAME DIVERTER SLIDE (35")
19	A8035K	2	HANGER, FLAME DIVIDER
20	A8030T	4	FRAME ASM, HEARTH SUPPORT
21	A4132Z	1	HEARTH LINER SHEET, 36 X 39.25
22	A4133Z	1	HEARTH LINER SHEET, 36 X 20.75
23	A8036K	1	HANGER, FLAME DIVIDER CENTER
24	T1381A	3	STONE HEARTH, AWMCO 36" X 20" X 2"
25	S3134A	5	BUSHING, .81/.88 ID X 1 X 1.25 OD
26	S3133A	5	SLEEVE, DURALON .75 ID X .88 OD
27	A8017K	2	ANGLE, DOOR JAM BOTTOM
28	A8016K	2	ANGLE, DOOR JAM
29	R3115A	1	FLUE DEFLECTER
30	U1356A	2	PUSH-PULL PLATE
31	S1005A	2	KNOB, PUSH-PULL 3/8-16 BLK
32	8808902	1	NAMEPLATE, BAKERS PRIDE, DECK OVENS
33	21910312	1	WELDMENT, TOP DOOR ARM RIGHT
34	A8061K	1	COVER, HEARTH TRIM
35	A8082K	1	COVER FRONT LEFT ACCESS DOOR
36	S1004Y*	1	LEG, 30" [SET OF 4]
37	S1120Y*	1	LEG & CASTER 30" [SET OF 4]
38	S1003Y*	1	LEG, 16" [SET OF 4]
39	S1119Y*	1	LEG & CASTER 16" [SET OF 4]
40	M1242P	1	CONTROL ASSY, Y600
41	N5014A	1	NIPPLE, 1/2" X 5", BLK PIPE
42	N3021A	2	REDUCING ELBOW, 3/4" X 1/2" 90° BLKSTL

ITEM	PART #	QTY	DESCRIPTION
43	N5232A	1	NIPPLE, 3/4" X 6-3/4" BLK PIPE, 3/4 OFFSET
44	N3002A	1	TEE, 3/4" X 3/4" X 1", BLK PIPE REDUCING
45	K1332B	2	BACK COVER PATCH, SS
46	N3008A	2	BUSHING, 1" X 3/4" REDUCING, BLK PIPE
47	N3022A	2	PLUG, 3/4" STEEL PIPE, W/1/2" SQ RECESS
48	N5217P	1	NIPPLE, 3/4" X 27-3/4", BLK PIPE
49	N3007A	1	COUPLING, 1"X3/4" REDUCING, BLK PIPE
50	N5009A	6	NIPPLE, 1/2" X 15/16", BLK PIPE
51	N 5231P	1	NIPPLE, 3/4" X 34-1/4", BLK PIPE
52	00235	2	3/4" BLK STL UNION
53	N5218A	1	NIPPLE, 3/4" X 3" BLK STL
54	N3004A	1	ELBOW, 3/4" 90° BLK STL
55	N5213A	1	NIPPLE, 3/4" X 1-1/2" BLK STL
56	N3012A	1	REDUCING TEE, 1/2" X 1/2" X 3/4" BLK STL
57	L5001A	2	INSPIRATOR, #3 BLK
58	L5121T	1	BURNER ASSY, LH
59	L5122T	1	BURNER ASSY, RH
60	N3009A	4	1/2" BLK STL UNION
61	R3004A	2	SPUD HOLDER #3
62	R3006A	2	LOCKING DISK, SPUD
63	R3005A	2	ADJUSTING DISK #3 SPUD
64	R3117P	2	ORIFICE, #25 NAT, #3 SPUD
65	R3129P*	2	ORIFICE, #43 LP, #3 SPUD
66	A4143K	1	PILOT MOUNTING BRACKET
67	M1265A	1	THERMOPILE, Q313
68	Q1401A	2	SCREW, 10-32 X 1/2" PAN HD
69	M1220A	1	PILOT BURNER NAT
70	M1245A	*1	PILOT BURNER LP
71	S1056A	1	KNOB, THERMOSTAT, 650 "F", GAS BLACK
72	M1005A	1	THERMOSTAT, 650°F, FDTH
73	N3068P	1	PRESSURE TAP ASSY
74	M1242P	1	CONTROL ASSY BMVR NAT
75	M1248P*	1	CONTROL ASSY BMVR LP
76	A8006K*	1	BRICK LINED SUPPORT BRACE
77	T1375A*	7	BAKING DECK, CERAMIC
78	S3275A	1	DOOR SPRING ARM, 2.78"

\* INDICATES NOT SHOWN



FLOOR MODEL GAS DECK OVEN OPERATION MANUAL

CLEANING AND MAINTENANCE

Parts List – Y800

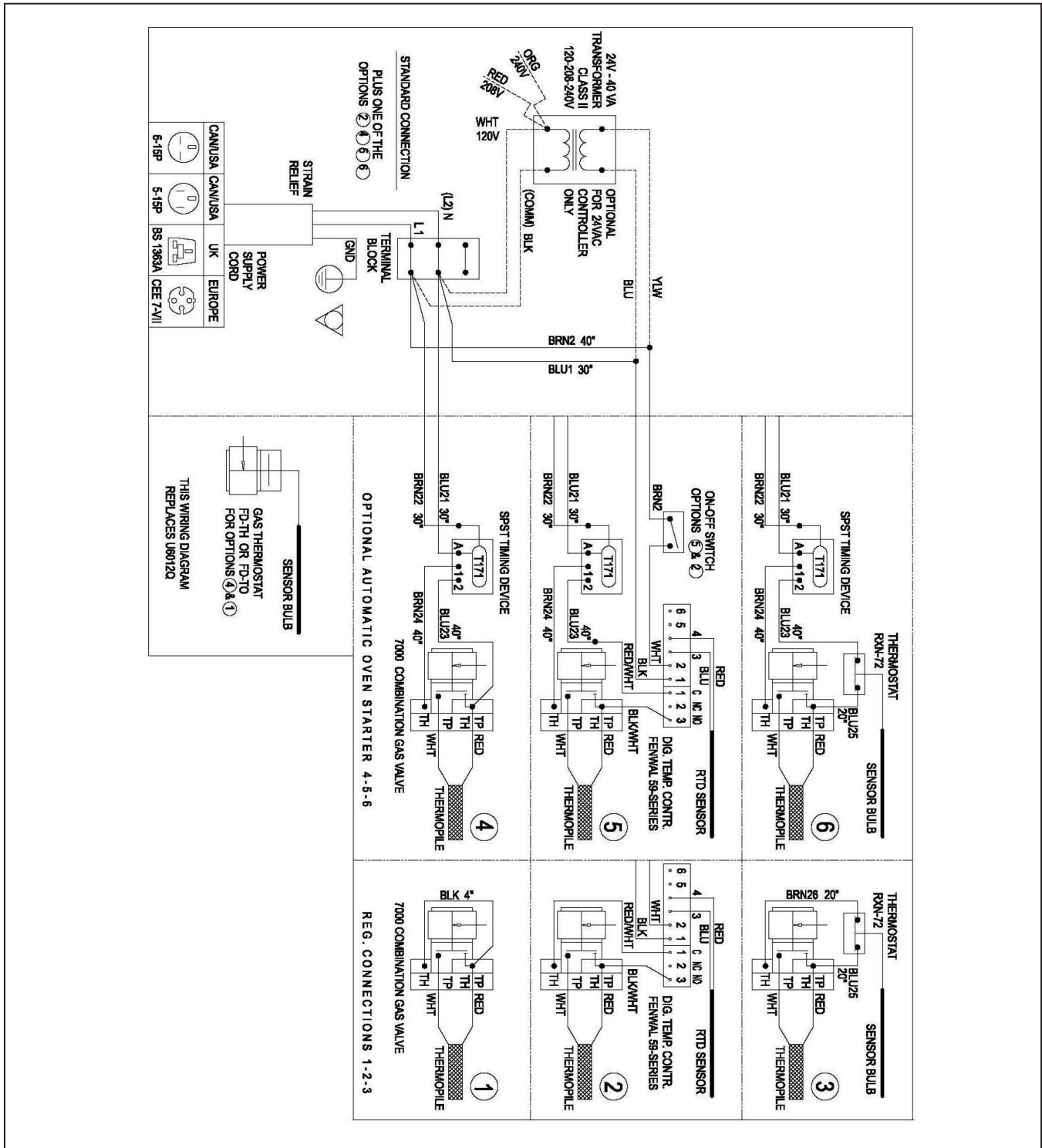
ITEM	PART #	QTY	DESCRIPTION
1	21910330	1	ASSY, BOTTOM DOOR Y600/800
2	21910331	1	ASSY, TOP DOOR Y600/800
3	A8057K	1	BOTTOM TRIM
4	A4980T	1	CONTROL PANEL SLEEVE, SS
5	21910288	1	PANEL, FRONT CONTROL SIDE
6	A8056K	1	TOP TRIM
7	21910289	1	PANEL, FRONT RT SIDE
8	21910332	1	WELDMENT, LOWER DOOR ARM LT
9	21910316	1	WELDMENT, LOWER DOOR ARM RT
10	Q2025A	10	BOLT, 1/4-20 X 3/4 HEX HD ZINC
11	21910310	1	WELDMENT, TOP DOOR ARM LEFT
12	Q2401A	2	NUT, HEX 9/16-18
13	S3276A	1	DOOR SPRING ARM, 2.78" BOTTOM
14	Q3007A	1	WASHER, 9/16 SPLIT LOCK
15	S3007A	2	BUSHING ASSY, PTFE .5/163 X .56
16	Q3010A	4	WASHER, 3/8-7/16 X 1" X 5/64 FLAT
17	Q2301A	1	BOLT, 3/8-16 X 9/32 X 1 SHOULDER
18	A3079K	2	FLAME DIVERTER SLIDE (35")
19	A8035K	2	HANGER, FLAME DIVIDER
20	A8030T	4	FRAME ASM, HEARTH SUPPORT
21	A4132Z	1	HEARTH LINER SHEET, 36 X 39.25
22	A4133Z	1	HEARTH LINER SHEET, 36 X 20.75
23	A8036K	1	HANGER, FLAME DIVIDER CENTER
24	T1381A	3	STONE HEARTH, AWMCO 36" X 20" X 2"
25	S3134A	5	BUSHING, .81/.88 ID X 1 X 1.25 OD
26	S3133A	5	SLEEVE, DURALON .75 ID X .88 OD
27	A8017K	2	ANGLE, DOOR JAM BOTTOM
28	A8016K	2	ANGLE, DOOR JAM
29	R3115A	1	FLUE DEFLECTER
30	U1356A	2	PUSH-PULL PLATE
31	S1005A	2	KNOB, PUSH-PULL 3/8-16 BLK
32	8808902	1	NAMEPLATE, BAKERS PRIDE, DECK OVENS
33	21910312	1	WELDMENT, TOP DOOR ARM RIGHT
34	A8061K	1	COVER, HEARTH TRIM
35	A8082K	1	COVER FRONT LEFT ACCESS DOOR
36	S1004Y*	1	LEG, 30" [SET OF 4]
37	S1120Y*	1	LEG & CASTER 30" [SET OF 4]
38	S1003Y*	1	LEG, 16" [SET OF 4]
39	S1119Y*	1	LEG & CASTER 16" [SET OF 4]
40	M1242P	1	CONTROL ASSY, Y600
41	N5014A	1	NIPPLE, 1/2" X 5", BLK PIPE
42	N3021A	2	REDUCING ELBOW, 3/4" X 1/2" 90° BLKSTL

ITEM	PART #	QTY	DESCRIPTION
43	N5232A	1	NIPPLE, 3/4" X 6-3/4" BLK PIPE, 3/4 OFFSET
44	N3002A	1	TEE, 3/4" X 3/4" X 1", BLK PIPE REDUCING
45	K1332B	2	BACK COVER PATCH, SS [
46	N3008A	2	BUSHING, 1" X 3/4" REDUCING, BLK PIPE
47	N3022A	2	PLUG, 3/4" STEEL PIPE, W/1/2" SQ RECESS
48	N5252A	1	NIPPLE, 3/4" X 36", BLK PIPE
49	N3007A	1	COUPLING, 1/3X3/4" REDUCING, BLK PIPE
50	N5009A	6	NIPPLE, 1/2" X 15/16", BLK PIPE
51	N5220P	1	NIPPLE, 3/4" X 37-1/4", BLK PIPE
52	300235	2	3/4" BLK STL UNION
53	N5218A	1	NIPPLE, 3/4" X 3" BLK STL
54	N3004A	1	ELBOW, 3/4" 90° BLK STL
55	N5213A	1	NIPPLE, 3/4" X 1-1/2" BLK STL
56	N3012A	1	REDUCING TEE, 1/2" X 1/2" X 3/4" BLK STL
57	L5001A	2	INSPIRATOR, #3 BLK
58	L5124T	1	BURNER ASSY, LH
59	L5125T	1	BURNER ASSY, RH
60	N3009A	4	1/2" BLK STL UNION
61	R3004A	2	SPUD HOLDER #3
62	R3006A	2	LOCKING DISK, SPUD
63	R3005A	2	ADJUSTING DISK #3 SPUD
64	R3117P	2	ORIFICE, #25 NAT, #3 SPUD
65	R3129P*	2	ORIFICE, #43 LP, #3 SPUD
66	A4143K	1	PILOT MOUNTING BRACKET
67	M1265A	1	THERMOPILE, Q313
68	Q1401A	2	SCREW, 10-32 X 1/2" PAN HD
69	M1220A	1	PILOT BURNER NAT
70	M1245A	* 1	PILOT BURNER LP
71	S1056A	1	KNOB, THERMOSTAT, 650 "F", GAS BLACK
72	M1005A	1	THERMOSTAT, 650°F, FDTH
73	N3068P	1	PRESSURE TAP ASSY
74	M1242P	1	CONTROL ASSY BMVR NAT
75	M1248P*	1	CONTROL ASSY BMVR LP
76	A8006K*	1	BRICK LINED SUPPORT BRACE
77	T1375A*	8	BAKING DECK, CERAMIC
78	S3275A	1	DOOR SPRING ARM, 2.78"

\* INDICATES NOT SHOWN

# WIRING DIAGRAM

## Wiring Diagram – Gas Oven Series – 120V, 208, OR 230V, 1PH –Auto Starter Option





## CONVEYOR OVEN SERVICE MANUAL

---

### BAKERS PRIDE LIMITED WARRANTY

<b>WHAT IS COVERED</b>	<p>This warranty covers defects in material and workmanship under normal use, and applies only to the original purchaser providing that:</p> <ul style="list-style-type: none"><li>• The equipment has not been accidentally or intentionally damaged, altered or misused;</li><li>• The equipment is properly installed, adjusted, operated and maintained in accordance with National and local codes and in accordance with the installation instruction provided with the product;</li><li>• The serial number rating plate affixed to the equipment has not been defaced or removed.</li></ul>
<b>WHO IS COVERED</b>	<p>This warranty is extended to the original purchaser and applies only to equipment purchased for use in the U.S.A.</p>
<b>COVERAGE PERIOD</b>	<p>Cyclone Convection Ovens: BCO Models: One (1) Year limited parts and labor; (1) Year limited door warranty. GDCO Models: Two (2) Year limited parts and labor; (2) Year limited door warranty. CO11 Models: Two (2) Year limited parts and labor; (5) Year limited door warranty. All Other Products: One (1) Year limited parts and labor. Warranty period begins the date of dealer invoice to customer or ninety (90) days after shipment date from Bakers Pride - whichever comes first.</p>
<b>WARRANTY</b>	<p>This warranty covers on-site labor, parts and reasonable travel time and travel expenses of the authorized service</p>
<b>COVERAGE</b>	<p>Representative up to (100) miles, round trip, and (2) hours travel time. The purchaser, however, shall be responsible for all expenses related to travel, including time, mileage and shipping expenses on smaller counter models that may be carried into a Factory Authorized Service Center, including the following models: PX-14, PX-16, P18, P22S, P24S, PD-4, PDC, WS Series and BK-18.</p>
<b>EXCEPTIONS</b>	<p>All removable parts in Bakers Pride® cooking equipment, including but not limited to: Burners, Grates, Radiants, Stones and Valves, are covered for a period of SIX MONTHS. All Ceramic Baking Decks are covered for a period of THREE MONTHS. The installation of these replacement decks is the responsibility of the purchaser. The extended Cyclone door warranty years 3 through 5 is a parts only warranty and does not include labor, travel, mileage or any other charges.</p>
<b>EXCLUSIONS</b>	<ul style="list-style-type: none"><li>• Negligence or acts of God,</li><li>• Failures caused by erratic voltages or gas supplies,</li><li>• Thermostat calibrations after (30) days from equipment installation date,</li><li>• Unauthorized repair by anyone other than a Bakers Pride Factory Authorized Service Center,</li><li>• Air and Gas adjustments,</li><li>• Damage in shipment,</li><li>• Light bulbs,</li><li>• Alteration, misuse or improper installation,</li><li>• Glass doors and door adjustments,</li><li>• Thermostats and safety valves with broken capillary tubes,</li><li>• Fuses,</li><li>• Char-broiler work decks and cutting boards,</li><li>• Tightening of conveyor chains,</li><li>• Adjustments to burner flames and cleaning of pilot burners,</li><li>• Tightening of screws or fasteners,</li><li>• Accessories — spatulas, forks, steak turners, grate lifters, oven brushes, scrapers, peels. etc.,</li><li>• Freight — other than normal UPS charges,</li><li>• Ordinary wear and tear.</li></ul>
<b>INSTALLATION</b>	<p>Leveling and installation of decks as well as proper installation and check out of all new equipment —per appropriate installation and use materials — is the responsibility of the dealer or installer, not the manufacturer.</p>
<b>REPLACEMENT PARTS</b>	<p>Bakers Pride genuine Factory OEM parts receive a (90) day materials warranty effective from the date of installation by a Bakers Pride Factory Authorized Service Center.</p>

This Warranty is in lieu of all other warranties, expressed or implied, and all other obligations or liabilities on the manufacturer's part. Bakers Pride shall in no event be liable for any special, indirect or consequential damages, or in any event for damages in excess of the purchase price of the unit. The repair or replacement of proven defective parts shall constitute a fulfillment of all obligations under the terms of this warranty.







1307 N. Watters Rd, Ste. 180 Allen, Texas 75013

Phone 800.527.2100 | Fax 914.576.0605 | [bakerspride.com](http://bakerspride.com)

Be sure to keep up with new product  
announcements and events on social media!





OPÉRATION MANUELLE  
FOUR À SOLES AU GAZ SÉRIES SUPERDECK  
**SÉRIES : Y600 & Y800**



**BUILT BY CRAFTSMEN. TESTED BY TIME®.**



## MODÈLE DE PLANCHER GAZ FOUR À SOLES OPÉRATION MANUELLE

### MODÈLE DE PLANCHER GAZ FOUR À SOLES

Séries :  
Y600 et Y800

Tous les fours à soles Bakers Price® fonctionnant au gaz sont destinés à être utilisés avec le type de gaz spécifié sur la plaque signalétique et à être installés selon à la norme ANSI Z223.1 du National Fuel Gas Code (dernière édition).

Veuillez conserver ce manuel pour toute référence ultérieure.

#### ⚠ AVERTISSEMENT

**POUR VOTRE SÉCURITÉ :** Pour votre sécurité, ne stockez pas et n'utilisez pas d'essence ou d'autres vapeurs ou liquides inflammables à proximité de cet appareil ou de tout autre appareil.

#### ⚠ AVERTISSEMENT

**INSTRUCTIONS IMPORTANTES :** Une fois que l'alimentation en gaz a été connectée à votre unité, il est extrêmement important de vérifier la tuyauterie pour détecter des fuites potentielles. Pour ce faire, utilisez une solution de savon et d'eau ou des solutions expressément conçues à cette fin.  
**NE PAS UTILISER** d'allumettes, de bougies, de flammes ou d'autres sources d'inflammation, car ces méthodes sont extrêmement dangereuses. Afficher dans un endroit bien en vue les instructions à suivre en cas d'odeur de gaz. Obtenez ces instructions auprès de votre fournisseur de gaz local.

#### AVIS

Seuls les Pizzas ou Pains peuvent avoir un contact direct avec les soles en Fibrament. Tous les autres produits alimentaires doivent être placés dans un poêlon ou un contenant pour éviter tout contact direct avec les soles en céramique.

#### ⚠ MISE EN GARDE

Une installation, un fonctionnement, un service ou un entretien inadéquats peuvent causer des dommages matériels, des blessures ou la mort. Lisez attentivement les instructions d'installation, d'utilisation et d'entretien avant d'installer ou d'entretenir cet équipement.

#### AVIS

Les instructions à suivre si l'utilisateur sent du gaz doivent être affichées à un endroit bien en vue dans la cuisine. Ces informations doivent être obtenues auprès du fournisseur de gaz local.

#### ⚠ AVERTISSEMENT

Résidents de Californie uniquement  
**AVERTISSEMENT :** Ce produit peut vous exposer à des produits chimiques, y compris le chrome, qui est connu dans l'État de Californie pour causer des cancers et des malformations congénitales ou d'autres dommages à la reproduction. Pour plus d'informations, consultez le site [www.P65Warnings.ca.gov](http://www.P65Warnings.ca.gov).

Cet équipement est destiné à un usage commercial uniquement.

**BAKERS PRIDE OVEN COMPANY, LLC.**

1307 N. route Watters., Suite 180  
Allen, TX 75013

Téléphone : 800-527-2100 | Télécopieur : 914.576.0605 | [www.bakerspride.com](http://www.bakerspride.com)

P/N U4282A RÉV. B 03/2021

**TABLE DES MATIÈRES**

<b>INSTRUCTIONS INSTALLATION</b>	<b>2</b>	<b>INSTRUCTIONS D'UTILISATION</b>	<b>8</b>
<b>RÉCEPTION</b>	<b>2</b>	<b>PROCÉDURE D'ALLUMAGE</b>	<b>8</b>
<b>DÉGAGEMENTS</b>	<b>2</b>	<b>ÉTRENNER</b>	<b>8</b>
<b>ASSEMBLER LE SUPPORT</b>	<b>3</b>	<b>CUISSON</b>	<b>8</b>
<b>INSTALLATION AVEC ROULETTES</b>	<b>4</b>	<b>PROCÉDURE D'UTILISATION RECOMMANDÉE</b>	<b>8</b>
<b>SOLES PIZZA</b>	<b>4</b>	<b>INDICES UTILES</b>	<b>9</b>
<b>(A) INSTALLATION TROIS SOLES</b>	<b>4</b>	<b>NETTOYAGE ET ENTRETIEN</b>	<b>9</b>
<b>(B) INSTALLATION CINQ SOLES</b>	<b>4</b>	<b>EXTÉRIEUR FOUR</b>	<b>9</b>
<b>CONNEXION AU GAZ ET ÉLECTRIQUES</b>	<b>5</b>	<b>PANNEAU DE COMMANDE</b>	<b>9</b>
<b>RACCORD DE CONDUIT- VENTILATION</b>	<b>6</b>	<b>CONDUIT DE FUMÉE</b>	<b>10</b>
<b>(A) SOUS LA HOTTE DE VENTILATION</b>	<b>6</b>	<b>INTÉRIEUR FOUR</b>	<b>10</b>
<b>(B) VENTILATION DIRECTE</b>	<b>6</b>	<b>(A) CHAMBRE DE CUISSON</b>	<b>10</b>
<b>BRÔLEUR PRINCIPAL FONCTIONNEMENT DU PILOTE DE SÉCURITÉ</b>	<b>6</b>	<b>(B) SOLES DE CUISSON</b>	<b>10</b>
<b>(A) PROCÉDURE D'ALLUMAGE DU PILOTE DU BRÔLEUR</b>	<b>7</b>	<b>(C) COMPARTIMENT DU BRÔLEUR</b>	<b>10</b>
<b>(B) BRÔLEUR PILOTE AJUSTEMENT DE FLAMME</b>	<b>7</b>	<b>TABLEAU DE DÉPANNAGE</b>	<b>11</b>
<b>OPÉRATION BRÔLEUR</b>	<b>7</b>	<b>VUES ÉCLATÉES ET LISTES DES PIÈCES</b>	<b>12</b>
<b>(A) BRÔLEUR PRINCIPAL</b>	<b>7</b>	<b>SCHÉMAS DE CÂBLAGE</b>	<b>16</b>
<b>(B) AÉRATION &amp; DÉVIATION AJUSTEMENT DE FLAMME</b>	<b>7</b>	<b>GARANTIE</b>	<b>17</b>
<b>CALIBRATION DE THERMOSTAT</b>	<b>7</b>		
<b>DÉVIATEURS DE FLAMME</b>	<b>7</b>		

EN 437 Gaz Cat.	Gaz et Alimentation Pressions	Marché européen désigné = ◆															
		A T	B E	D K	F I	F R	G R	D E	I E	I T	L U	N L	P T	E S	S E	G B	
I2H	G20 @ 20mbar	◆		◆	◆				◆	◆			◆	◆	◆	◆	
I2L	G25 @ 25mbar											◆					
I2E	G20 @ 20mbar							◆			◆						
I2E+	G20/25 @ 20/25mbar		◆			◆											

Pour l'Amérique du Nord :	
TYPE DE GAZ	PRESSION D'ADMISSION
Naturel	Colonne d'eau 3,5 po
LP	Colonne d'eau 10 po

Modèles couverts :					
MODÈLE	BTU/HR	KW	MODÈLE	BTU/HR	KW
Y-600	120.000	35,15			
Y-800	120.000	35,15			

Les modèles de gaz LP ne sont pas disponibles pour les pays de la Communauté européenne.

## INSTRUCTIONS INSTALLATION

### Réception :

Lisez l'avis sur le carton extérieur concernant les dommages en transit. Les dommages découverts après l'ouverture d'une caisse ou d'un carton sont des « DOMMAGES CACHÉS » et le transporteur doit être avisé immédiatement afin d'envoyer un inspecteur et de fournir les formulaires nécessaires pour la réclamation du destinataire.

Lorsque le four arrive, il doit être composé de :

- Une caisse ou un carton contenant votre nouveau four.
- Carton contenant 4 pieds avec matériel de montage.
- Une palette à courroie contenant des soles de four.

Placer le four et les pièces le plus près possible de la zone d'installation finale avant de le déballer.

### ⚠ WARNING

Au MASSACHUSETTS : Tous les produits de gaz doivent être installés par un plombier ou un installateur de gaz autorisé du Massachusetts. Les hottes de ventilation doivent être installées conformément à la norme NFPA-96, édition actuelle, avec les dispositifs de verrouillage décrits dans cette norme.

### ⚠ WARNING

L'installation doit être conforme aux codes locaux et/ou la dernière édition du ANS Z-223.1 National Fuel Gas Code au USA (CAN/CGA-B149.1 ou 2 Installation Code au Canada).

### ⚠ WARNING

Cet appareil doit être installé par une personne compétente conformément aux règles en vigueur. Au Royaume-Uni, les installateurs agréés par Corgi (y compris les régions de British Gas) s'engagent à travailler selon des normes sûres et satisfaisantes. Cet appareil doit être installé conformément au Règlement sur la sécurité des gaz (installation et utilisation) en vigueur et au Règlement sur les bâtiments/Règlements IEE en vigueur. Des recommandations détaillées figurent dans les British Standard Codes of Practice BS 6172, BS 5440 : 2e Partie et BS 6891.

### Dégagements :

	Construction combustible	Construction non-combustible
Dégagement minimum de : Côté gauche	75 mm (3 po)	0 mm (0 po)
Dégagement minimum de : Côté droit	25 mm (1 po)	51 mm (2 po)
Dégagement minimum de : Arrière	75 mm (3 po)	51 mm (2 po)

### Configurer :

Le four doit être installé dans un endroit bien ventilé.

Votre four est emballé debout sur son dos. Laissez-le sur son dos lors du déballage. La palette peut être laissée sous le four pour faciliter la manipulation ultérieure. Déballer soigneusement pour éviter d'endommager le four. Si des dommages cachés sont trouvés, suivez les instructions détaillées dans la section Réception.

Garder la zone autour du four libre et exempte de matières combustibles. Ne pas stocker de matériaux sur le dessus ou sous un four. La fourniture d'une alimentation en air adéquate à votre four pour la ventilation et la combustion appropriée des gaz est essentielle. Au minimum, respectez les dégagements détaillés dans la Section 2. Assurer une ventilation adéquate et préparer l'air conformément aux codes locaux.

Insérer le déviateur de conduit fourni (voir Fig. 1) en haut, près de l'arrière gauche du four, et fixez-le à l'aide de vis afin d'installer le four sous une hotte de ventilation. Pour la Ventilation directe, le Coupe-tirage optionnel (Fig. 2) doit être placé dans le trou. Ventilation directe n'est pas disponible pour les pays de la Communauté européenne. Des inspecteurs locaux et des spécialistes de la ventilation devraient être consultés pour s'assurer que l'installation de la hotte est conforme aux codes et aux exigences locaux (voir Fig. 3). Au Royaume-Uni, les exigences de ventilation détaillées dans la norme BS 5440 doivent être respectées.

L'accès à la porte avant inférieure et au panneau de commande latéral gauche sert au fonctionnement quotidien du four et à l'entretien. Assurez-vous que ces zones sont dégagées pour un accès facile.

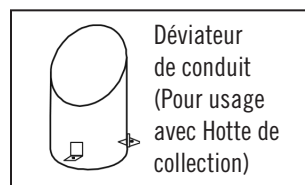


Figure 1

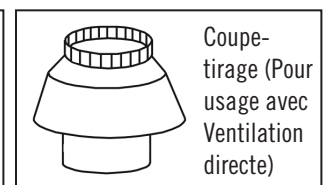


Figure 2

## INSTRUCTIONS INSTALLATION

### Assembler le Support :

Les pieds sont livrés dans un carton séparé avec des boulons de montage.

- a) Boulonner quatre pieds aux quatre pieds du stand à l'aide des boulons 3/8-16 x 3/4 fournis, des rondelles plates et des rondelles de blocage. (Voir Fig. 4).
- b) Boulonner les renforts latéraux et les renforts arrières à l'aide des boulons 3/8-16 x 3/4 fournis, rondelle plate et rondelle de blocage. (Voir Fig. 5).
- c) À l'aide de l'équipement de levage approprié, abaisser le four de son arrière à son dessous. Levez l'unité et placez sur le stand. (Voir Fig. 6).
- d) Déplacer le four jusqu'à son emplacement final en maintenant les dégagements minimums entre l'arrière du four et le mur. Ce dégagement est nécessaire pour un fonctionnement en toute sécurité et pour fournir un débit d'air approprié à la chambre de combustion.



Figure 3

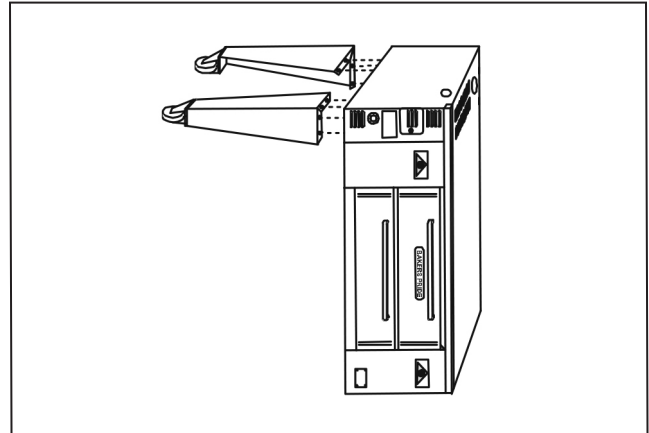


Figure 4

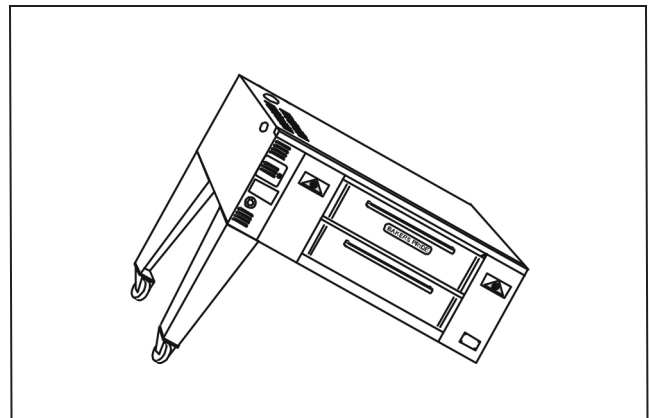


Figure 5

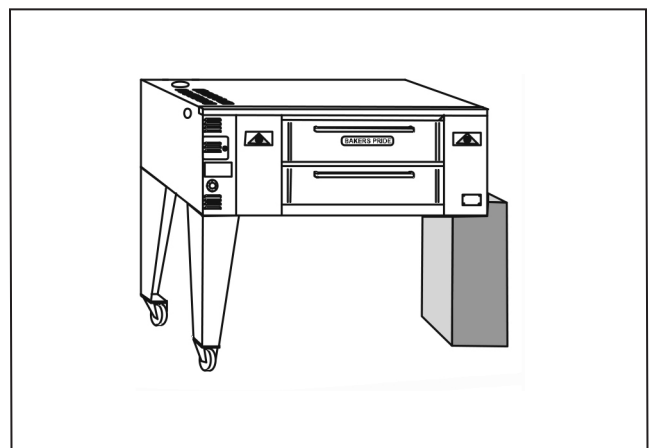


Figure 6

## INSTRUCTIONS INSTALLATION

### Installation avec roulettes (optionnel) :

Quatre roulettes (deux avec freins de roue) et le matériel de montage est emballé et inclus avec l'envoi si commandé. Installer des roulettes avec des freins de roue à l'avant de l'unité.

### NOTICE

L'installation doit être effectuée avec un connecteur conforme à la dernière édition de la Standard for Connectors for Movable Gas Appliances ANSI Z21.69 au USA (CAN CGA-6.16, au Canada) et un dispositif de déconnexion rapide pour utilisation conforme à la dernière édition du Standard Quick Disconnect Devices pour usage avec le carburant à gaz ANSI Z21.41 au USA (CAN CGA 1-6.9 au Canada) et des moyens adéquats doivent être prévus pour limiter le mouvement de l'appareil sans dépendre du connecteur et de tout dispositif de déconnexion rapide ou de sa tuyauterie associée.

Le dispositif de retenue doit être fixé aux pattes arrière du four sur lequel les roulettes sont montées. Si la déconnexion du dispositif de retenue est nécessaire pour déplacer le four pour des besoins d'entretien, le dispositif de retenue doit être reconnecté une fois que l'appareil a été remis en place.

### Soles de Pizza :

- Retirer tout le matériel d'emballage, les échantillons, les cales, etc. de la chambre de cuisson en laissant les deux feuilles de revêtement de foyer métalliques sur le sol de la chambre de cuisson. Assurez-vous que les deux feuilles de revêtement de foyer métalliques couvrent la totalité du fond de la chambre.
- Selon le modèle, trois ou cinq plaques du Pizza Deck sont fournies avec le four. Ce matériel est lourd, fragile, et devrait être manipulé avec soin.

### ⚠ WARNING

N'INSTALLEZ PAS les pierres de cuissons avant d'avoir lu les instructions de pré-séchage. Le défaut de pré-sécher les pierres peut causer des dommages sévères à votre four et annuler la garantie du fabricant.

### A. Installation trois soles :

- Glissez une sole dans la chambre de cuisson et poussez-la le plus loin possible d'un côté.
- Glissez la seconde sole dans la chambre de cuisson du côté opposé de la première sole.
- Insérez la troisième sole dans la section du milieu.
- Utiliser des cales métalliques pour niveler les soles.
- Utiliser des cales à l'arrière et sur le côté de la sole si les soles sont lâches. Les trois soles devraient être serrées les unes contre les autres sans aucun espace entre elles (voir Fig. 7).
- Mettre le revêtement du foyer en place entre la sole et la porte.

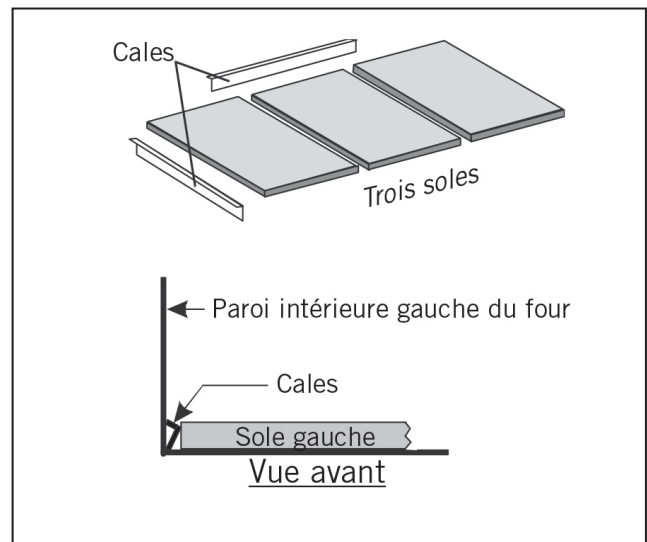


Figure 7

### B. Installation cinq soles :

- Glissez une sole dans la chambre de cuisson et poussez-la le plus loin possible d'un côté.
- Glissez la seconde sole dans la chambre de cuisson du côté opposé de la première sole.
- Glissez les deuxième et troisième soles dans le même sens que les deux premières soles.
- Glissez la 5e sole dans la section du milieu.

## INSTRUCTIONS INSTALLATION

- (e) Pour minimiser la déformation et prolonger la durée de vie des pierres Fibrament, elles doivent être pré-séchées avant utilisation.
- (1) GARDEZ LA PORTE DU FOUR FERMÉE PENDANT LA TOTALITÉ DU PROCESSUS DE PRÉ-SÉCHAGE.
  - (2) Laissez les pierres de cuisson s'ajuster à la température de la pièce avant de commencer.
  - (3) Pré-chauffer les pierres avec le brûleur pilote en l'allumant pendant 1 heure.
  - (4) Augmenter la température à moins de 148 °C (300 °F) pour maintenir une hauteur de flamme inférieure à 1/4 po). Maintenir ce réglage pendant 3 heures.
  - (5) Après 3 heures augmentez la température à 148 °C (300 °F) pendant 1 heure, ensuite 204 °C (400 °F) pendant 1 heure, et ensuite 260 °C (500 °F) pendant 1 heure.
  - (6) NE MODIFIEZ PAS CE PROCESSUS, le défaut de pré-sécher correctement les pierres peut causer le gachissement, la fissuration, ou l'éclatement avec une force explosive.
- (f) Utiliser des cales métalliques au besoin pour niveler les soles.
- (g) Utiliser des cales à l'arrière et sur les côtés des soles si les soles sont lâches. Les cinq soles devraient être serrées les unes contre les autres sans aucun espace entre elles (voir Fig. 8).
- (h) Mettre la garniture du foyer en place entre la sole et la porte.

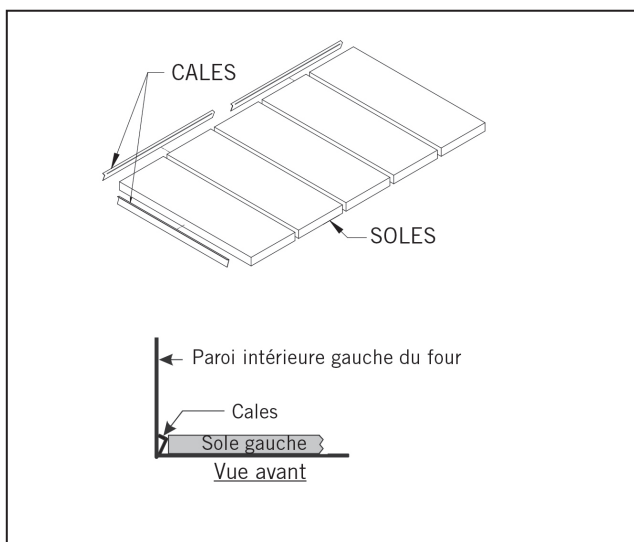


Figure 8

### AVIS

Si les cales latérales sont trop serrées, les commandes de chaleur sélectionnées par les boutons noirs, situés à l'avant du four, ne glisseront pas librement.

### Connexion au gaz et électriques :

Les unités de gaz au propane ne sont pas disponibles pour les pays de la Communauté européenne.

- (a) L'appareil, une fois installé, doit être mis à la terre électriquement conformément aux codes locaux et/ou à la dernière édition du Code national de l'électricité ANSI/NFPA 70 aux États-Unis (Code canadien de l'électricité CSAC22.2 au Canada).
- (b) En Europe, l'appareil doit être relié par un câble de mise à la terre à toutes les autres unités dans l'installation complète et donc à une connexion à terre indépendante conformément à la norme EN 60335-1 et/ou aux codes locaux.
- (c) Les fours ne devraient pas être installés sur la même ligne que les appareils de chauffage des locaux, les chaudières ou tout autre équipement à gaz à forte demande intermittente.
- (d) Utilisez un composé de joint de tuyauterie qui résiste à l'action des gaz de pétrole liquéfiés lors des connexions de gaz.
- (e) Pour le gaz propane, utiliser un tuyau ou un tube d'au moins 13 mm (1/2 po) d'un diamètre de 16 mm (5/8 po). Pour le Gaz naturel, utiliser un tuyau 19 mm (3/4 po).
- (f) L'appareil doit être isolé de la tuyauterie d'alimentation en gaz en fermant sa vanne d'arrêt manuelle pendant tout essai de pression de la tuyauterie d'alimentation en gaz à des pressions d'essai égales ou inférieures à 3,45 kpa (1/2 psig).
- (g) L'appareil et sa vanne d'arrêt doivent être débranchés de la tuyauterie d'alimentation en gaz pendant tout essai de pression de ce système qui atteste des pressions supérieures à 3,45 kpa (1/2 po psig).

## INSTRUCTIONS INSTALLATION

- (h) Le régulateur de pression de gaz fait partie de la soupape combinée et est réglé de façon à produire une pression de 3,5 po de colonne d'eau (9 mbar) pour le Gaz naturel. Si le four est commandé pour usage avec Gaz propane, le régulateur de pression dans la soupape combinée est préréglée à l'usine pour produite une pression de 10 po de colonne d'eau (25 mbar). Unités pour usage avec Gaz propane ne sont pas disponibles pour les pays de la Communauté européenne.
- (i) Une vanne d'arrêt séparée doit être fournie pour chaque four. Elle devrait être aussi prêt que possible de l'endroit où la ligne d'alimentation en gaz entre dans le four. Elle doit être située de façon à être facilement accessible.
- (j) Lors de l'empilage avec un autre four, deux vannes d'arrêt, une pour chacun des deux fours, doivent être fournies.

### ⚠ AVERTISSEMENT

Une fois l'alimentation en gaz connectée, il est extrêmement important de vérifier la présence de fuites dans toute la tuyauterie. Utilisez une solution de savon et d'eau ou un produit spécialement conçu à cette fin. N'utilisez pas d'allumettes, de bougies, ou de flamme, etc pour vérifier les fuites, car ces méthodes sont extrêmement dangereuses.

#### Connexion de conduit- Ventilation :

##### (A) Installation sous Hotte de ventilation (Standard) :

Si le four est installé sous une hotte de collection, utilisez le déviateur de conduit (Fig. 1) fourni. Les inspecteurs locaux et les spécialistes de la ventilation et de l'environnement devraient être consultés afin que la conception et l'installation de la hotte soient conformes aux codes locaux/ municipal (voir Fig. 3).

##### (B) Ventilation directe (Optionnelle) n'est pas disponible pour les pays de la Communauté européenne :

En cas de ventilation direct, il est nécessaire d'installer un coupe-tirage (Fig. 2). Le conduit du tuyau du coupe-tirage ne doit pas s'écouler vers le bas à aucun point entre le four et la sortie finale. Il devrait toujours être légèrement incliné vers le haut. Pour de meilleurs résultats, il devrait se diriger directement vers le haut.

### AVIS

Ne pas mettre d'amortisseur dans le conduit et ne pas connecter un ventilateur directement au conduit.

Si le conduit se dirige directement vers l'air libre à l'extérieur du bâtiment, utilisez un déflecteur de vent ou un chapeau d'évent listé UL au bout d'un tuyau de conduit. La terminaison du conduit de ventilation doit être au moins 2 pieds au-dessus de la partie la plus élevée du toit à moins de 10 pieds (Réf : La American Gas Association No. de catalogue XH0474).

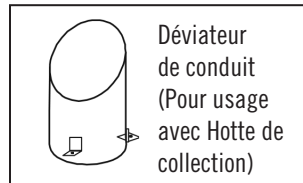


Figure 1

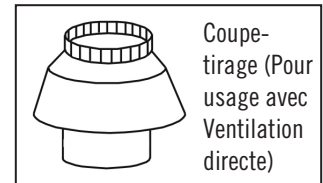


Figure 2

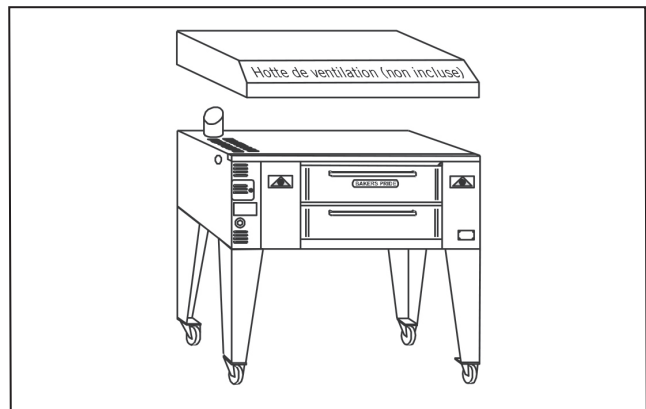


Figure 3

#### Brûleur principal Fonctionnement du pilote de sécurité :

L'objectif du système du pilote de sécurité est de verrouiller l'alimentation en gaz du brûleur principal au niveau de la soupape de sécurité, si, pour une raison quelconque, le brûleur pilote n'est pas allumé. Le four doit être rallumé en suivant les étapes ci-dessous. Par contre, en service normal, la flamme du pilote reste allumée indéfiniment, jour et nuit ou les fins de semaine. Ceci prolonge la durée de vie de la soupape de sécurité.

La soupape pilote de sécurité est en fait une commande en deux étapes. Après l'allumage initial, le brûleur pilote reste allumé sans que le cadran du robinet de gaz ne soit enfoncé. Après 1-2 minutes, la vanne s'ouvre complètement pour laisser le gaz circuler au de-là de la soupape pilote de sécurité dans le système de brûleur.

## INSTRUCTIONS INSTALLATION

### Brûleur pilote procédure d'allumage :

- Mettre la poignée rouge de la vanne d'arrêt de gaz en position «ARRÊT» (horizontale).
- Attendez cinq minutes pour laisser s'échapper le gaz, qui peut s'être accumulé dans le compartiment du brûleur.
- Dé-appuyez le bouton "ROUGE" de la soupape de sécurité pilote et allumez le Brûleur pilote. Maintenez la position enfoncée pendant environ 1/2 minute (30 secondes) puis relâchez le bouton « ROUGE ». Le Brûleur pilote devrait maintenant rester allumé.

Si Brûleur pilote ne s'allume pas ou ne reste pas allumé, répéter les étapes (a) à (c).

### Brûleur pilote ajustement de flamme :

Il est important d'avoir la bonne taille de flamme du Brûleur pilote, comme indiqué sur la Fig. 10. Si nécessaire, régler la flamme du brûleur pilote en tournant la Vis d'ajustement pilote (Voir Fig. 11) dans le sens d'une montre pour réduire ou inversement pour augmenter.

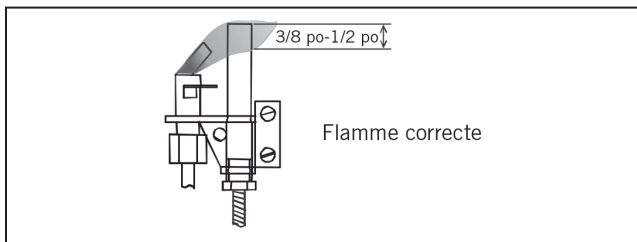


Figure 10

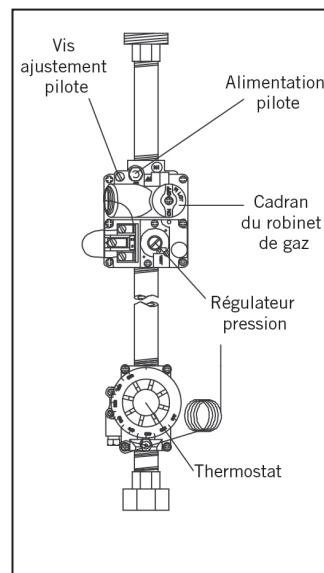


Figure 11

### Fonctionnement du brûleur :

#### (A) Brûleur principal :

Une fois que le brûleur pilote est allumé, lorsque la chaleur désirée est atteinte, tourner le cadran du robinet de gaz à la position « MARCHE » ( ) et régler le cadran du thermostat à la température désirée. La flamme du brûleur devrait toujours avoir une apparence bleue. Cela indique un bon mélange de gaz et d'air. En cas d'utilisation de gaz propane, la flamme aura une apparence bleu-jaune.

Si le brûleur ne s'allume pas, vérifier s'il y a un problème avec l'alimentation en gaz. S'il y a d'autres appareils allumés au même moment, éteignez-les temporairement et vérifiez si le brûleur s'allume ou s'il fluctue lorsque d'autres appareils à gaz sont allumés et éteints. Cela indiquerait une surcharge des conduites d'alimentation en gaz ou un régulateur de pression de gaz défectueux. Communiquez avec une agence de service agréée ou votre Gas Supply Company local.

#### (B) Aération & Ajustement de déviation de flamme :

Les réglages de la flamme et du mélangeur d'air et l'ajustement de dérivation de flamme pour le Brûleur principal sont complétés à l'usine. Ces réglages sont scellés avant que le four ne quitte l'usine. **Communiquez avec une Agence de service autorisée si vous avez besoin d'aide.**

#### Calibration Thermostat :

Il ne faut pas tenter de calibrer le thermostat, car il est calibré et scellé avec précision par le fabricant. **Communiquez avec une Agence de service autorisée si vous avez besoin d'aide.**

#### Déviateurs de flamme :

Les Déviateurs de flamme distribuent la chaleur uniformément dessous le plateau de cuisson. Ils doivent être en bon état et bien placés au dessus des brûleurs dans la chambre du brûleur pour être efficaces. Les déviateurs de flamme endommagés ou mal installés nuisent au rendement du four. Assurez-vous que les déviateurs en forme de « V » sont poussés le plus loin possible vers l'arrière du four. Vérifiez-les périodiquement et remplacez-les lorsque nécessaire.

## INSTRUCTIONS D'UTILISATION

### AVIS

Seuls la Pizza et les Pains peuvent avoir un contact direct avec les soles Fibrament. Tous les autres produits alimentaires doivent être placés dans un poêlon ou un contenant pour éviter tout contact direct avec les soles Fibrament.

### ⚠ AVERTISSEMENT

Si une odeur de gaz est détectée à tout moment, fermer immédiatement la vanne d'alimentation en gaz du four. Ne pas laisser de flammes nues dans la zone du four. Communiquez immédiatement avec une Agence de service agréée ou votre Gas Supply Company local.

### ⚠ MISE EN GARDE

Le chauffage initial de l'appareil peut générer de la fumée ou des émanations et doit être effectué dans un endroit bien ventilé. Une surexposition à la fumée ou aux émanations peut provoquer des nausées ou des vertiges.

#### Procédure d'allumage :

- Allumer le brûleur principal en suivant les instructions dans la section Éclairage des Instructions d'installation.
- Garder les glissières Pression/Traction complètement ouvertes.

#### Étrenner :

Il est important d'étrenner, de sécher la sole et l'insolation, avant de cuire dans un nouveau four :

- Régler le thermostat à au moins 10 °C (50 °F) de moins que la température de cuisson.
- Pré-chauffer le four pendant 1 à 3 heures avant utilisation.
- Après avoir préchauffé, élevez la température à votre température de cuisson.
- Expérimentez la cuisson jusqu'à ce que vous développiez une habitude au four et à sa vitesse de cuisson.

#### Cuisson :

La pizza peut être cuite sur la sole, sur un écran ou dans un poêlon. Lorsque vous trouvez la combinaison d'ingrédients et la température qui donne la bonne cuisson à votre croûte, sauce, et fromage, et le goût de votre client, notez et gardez.

Cuisson sur soles fait référence à la cuisson de la Pizza directement sur la sole. C'est généralement un produit mince qui requiert une température d'au moins 290 °C (550 °F).

Cuisson sur écran réfère à cuire une Pizza sur un écran. L'écran soulève la Pizza de sur la sole. L'écran peut être retiré vers la fin du temps de cuisson pour permettre au dessous de la pizza d'avoir une croûte plus croustillante et foncée. Températures de cuisson de 260 °C (500 °F) à 290 °C (550 °F).

Cuisson sur poêlon réfère à cuire une Pizza dans un poêlon. Les croûtes peuvent être épaisses ou minces et les garnitures vont de légères à lourdes. Les températures de cuisson des poêlons varient de 235 °C (450 °F) à 260 °C (500 °F).

#### Procédure d'utilisation recommandée :

Il est très important qu'à la fin de la journée de fonctionnement, le cadran du robinet de gaz du brûleur principal soit tourné à la position de pilote, laissant seulement le brûleur pilote « MARCHE » pendant la nuit. Garder les glissières de Pizza Pression/Traction complètement ouvertes.

#### Préchauffer :

- Tourner le cadran du robinet de gaz du brûleur principal à la position « MARCHE ».
- Préchauffer le four pendant 1 à 3 heures à une température inférieure de 10 °C (50 °F) à la température de cuisson, avec les glissières Pression/Traction complètement ouvertes.

#### Cuisson :

- Après le préchauffage, augmentez le réglage du thermostat à votre température de cuisson.
- Vérifiez la couleur du fond de la Tarte et fermez partiellement les glissières pression/traction (à mi-chemin) après la 4ème ou 5ème cuisson pour maintenir la couleur désirée.

Au ralenti ou immobile, ouvrez complètement les glissières de pression/traction et réglez le thermostat à au moins 10 °C (50 °F) en dessous de votre température de cuisson.

## INSTRUCTIONS D'UTILISATION

### Indices utiles :

- (a) Une plaque d'instructions est fixée derrière les boutons du clapet indiquant comment régler le four pour plus de chaleur en haut ou en bas. L'ouverture des clapets permet à plus de chaleur d'entrer dans la chambre de cuisson à partir du compartiment de combustion/brûleur. La fermeture des clapets permet de garder plus de chaleur dans le compartiment à combustion/brûleur pour garder le plateau de cuisson plus chaud.
- (b) Si le four est à la température de cuisson de Pizza et n'a pas été utilisé pendant un certain temps, il y a une tendance pour la plaque de cuisson de devenir plus chaude. Dans cet état, lorsque vous mettez une pizza, **ALLUMEZ LE THERMOSTAT D'AVANTAGE**, de sorte que la flamme du brûleur principal brûle à son maximum, fournissant la chaleur supplémentaire nécessaire pour équilibrer la chaleur du bas. Le thermostat devrait être retourné au réglage normal aussitôt que la Pizza est cuite.
- (c) Racler et brosser fréquemment les plaques de cuisson pour éliminer les résidus brûlés, ce qui peut faire augmenter le goût et le temps de cuisson.
- (d) Une Pizza ou une Pan Pizza fortement garnie nécessite des températures de cuisson plus basses et des temps de cuisson plus longs par rapport à une pizza mince ordinaire avec des garnitures légères.
- (e) Les bulles dans la pâte fraîche indiquent un produit sous-trempé ou froid. Laisser lever les boules de pâte pour doubler de volume et réchauffer la température avant la cuisson.
- (f) N'importe quel type de Poêlon ou Écran peut être utilisé dans ce four. Lorsque vous choisissez un poêlon, assurez-vous de choisir un poêlon qui se rapproche le plus de la hauteur de votre produit. Les poêlons et les écrans de couleur foncée transfèrent mieux la chaleur que les poêlons ou les écrans en aluminium de couleur claire. Ils doivent être assaisonnés avant usage.

## NETTOYAGE ET ENTRETIEN

Cet appareil doit être entretenu par un technicien de maintenance agréé uniquement. Débrancher l'alimentation électrique avant de nettoyer ou d'entretenir le four.

Un nettoyage régulier et minutieux aidera à maintenir le bon fonctionnement des fours. Si le service est requis, communiquez avec une agence de service agréée, votre concessionnaire ou l'usine pour obtenir un technicien qualifié pour l'entretien ou le service requis.

### Extérieur Four :

- (a) Les dépôts d'éclaboussures et de graisse cuites ou la décoloration peuvent être éliminés avec le nettoyant en acier inoxydable ou à l'aide de tout nettoyant commercial recommandé pour l'acier inoxydable. BIEN RINCER.
- (b) Une fine couche d'huile légère ajoutera à l'apparence du four.

### AVIS

Appliquer le nettoyant en acier inoxydable seulement lorsque le four est froid. Frottez toujours avec les grains et appliquez une pression très légère.

### Surfaces peintes :

- (a) Le lavage à l'eau et au savon doux est suffisant pour garder les surfaces peintes propres.
- (b) Appliquer une fine couche d'huile pour protéger et améliorer la finition.

### Panneau de commande :

Tous les six mois (plus fréquemment si le four est fortement utilisé), le mécanisme du ressort de la porte inférieure et toutes les pièces mobiles doivent être inspectés pour en vérifier l'usure.

### AVIS

Ne pas appliquer de graisse sur le boulon d'épaule du levier à ressort, le rouleau à ressort ou la tige de porte et la goupille de porte. Ils ont un insert autolubrifiant qui sera endommagé s'il est lubrifié.

---

## **NETTOYAGE ET ENTRETIEN**

### **Conduit d'évacuation :**

Le système de ventilation doit être inspecté tous les six mois et maintenu propre et exempt d'obstructions.

### **Intérieur Four :**

Nettoyer l'intérieur du four seulement lorsque le four est froid. Utilisez uniquement les solutions de détergent et les nettoyeurs qui respectent les codes nationaux et/ou locaux.

#### **(a) Chambre de cuisson :**

Nettoyer le plafond et les parois de la chambre de cuisson avec une solution de savon doux et d'eau. Ne pas utiliser de nettoyeurs de four, de solutions caustiques ou de moyens mécaniques car ils endommageront la surface intérieure aluminisée.

#### **(b) Soles de cuisson :**

Les soles de cuisson sont lourdes et fragiles. Ils devraient être manipulés avec soin. Les soles de cuisson doivent être nettoyées à l'aide d'un grattoir à long manche et d'une brosse métallique rigide. À la fin de chaque journée, tournez le thermostat jusqu'à son réglage maximal et laissez le four reposer à cette température pendant au moins 1/2 heure. Cela brûlera la nourriture déversée sur les soles de cuisson pendant la journée de production et la transformera en cendres. Ces cendres peuvent être brossées le lendemain avant d'allumer le four. Les soles de cuisson devraient être grattés et brossés pendant la journée également pour aider à les garder propres. Pour éliminer les miettes excessives ou le carbone, l'aspirateur peut être utilisé sur les soles de cuisson et la cavité du four lorsque le four est froid. N'utilisez pas d'eau ou d'autres liquides sur les soles de cuisson, car cela pourrait les faire craquer. Après une longue utilisation, les soles de cuisson fortement souillées peuvent être nettoyés en les retournant après les avoir grattés et brossés. Cela brûlera le côté fortement souillé des soles de cuisson. Cette procédure peut être répétée au besoin.

#### **(C) Compartiment du brûleur :**

Aspirer le carbone, les miettes ou les résidus dans le compartiment du brûleur et tout autour des portes, au besoin. Les trous et les persiennes sur les surfaces extérieures du four doivent être maintenus exempt d'obstructions afin de permettre la libre circulation de l'air dans les commandes et pour une combustion appropriée. Les orifices du brûleur et les trous de croisement doivent être exempts de carbone et d'autres dépôts.

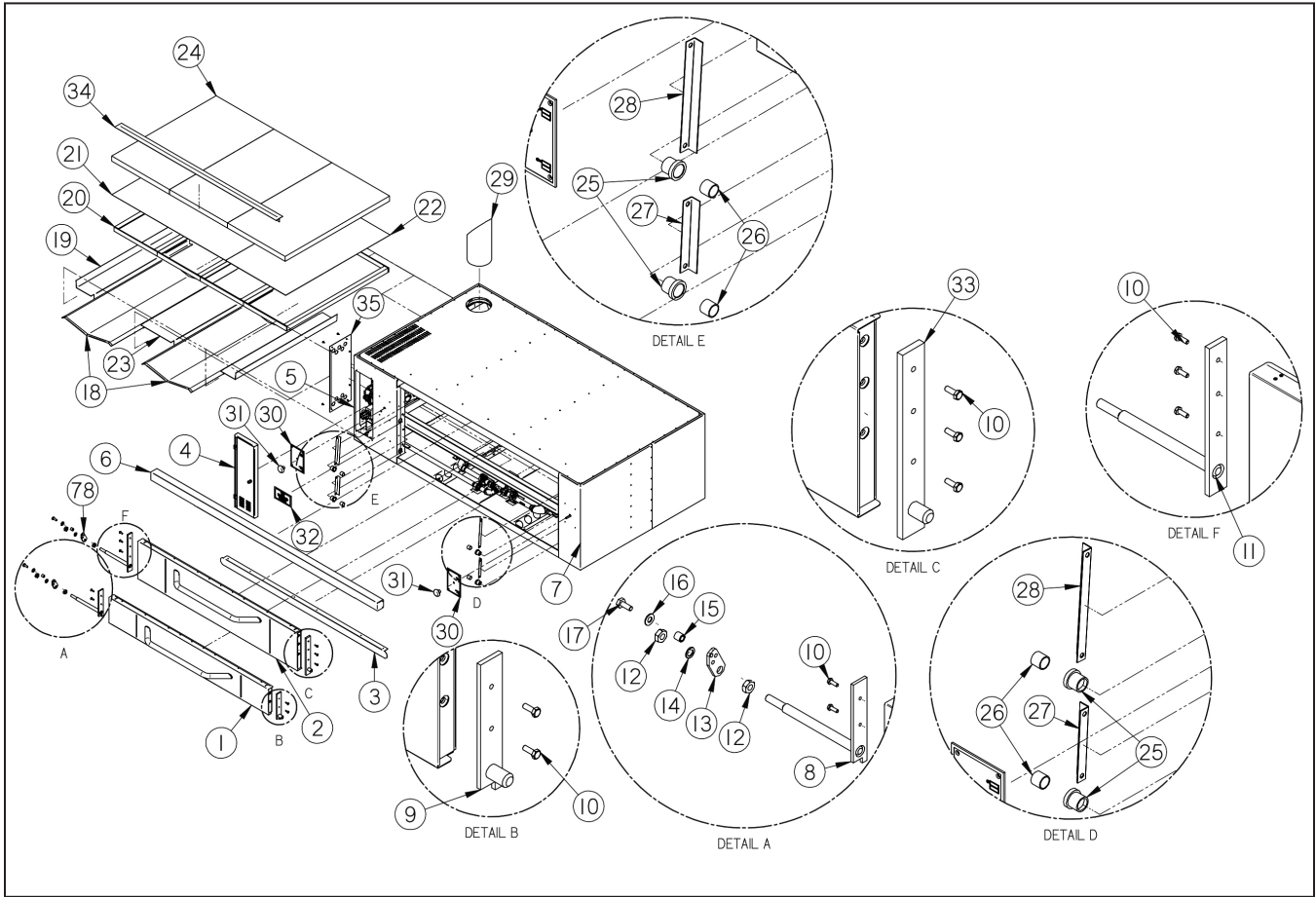
## NETTOYAGE ET ENTRETIEN

**Tableau de dépannage**

PROBLÈME	CAUSE PROBABLE	REMÈDE
AUCUNE FLAMME PILOTE	Le four d'alimentation de la vanne à gaz peut être en position fermée.	Allumer la vanne à gaz. Rallumer pilote.
Brûleur(s) principal n'allume(nt) pas	Le four d'alimentation de la vanne à gaz peut être en position fermée.	Allumer la vanne à gaz. Rallumer pilote.
	La thermopile peut ne pas être positionnée dans la flamme pilote.	Assurez-vous que l'extrémité de la thermopile est en flamme pilote.
	La thermopile peut être défectueuse.	Appelez l'agent local autorisé du Bakers Pride Service.
Four trop chaud	Thermostat réglé trop haut.	Abaisser le réglage du thermostat et voir si la flamme diminue. Laisser reposer plusieurs heures pour que la chaleur se régularise.
	Le thermostat peut être défectueux	Appelez l'agent local autorisé du Bakers Pride Service.
Le dessous des tartes manquent de cuisson	Si la même zone du plateau est utilisée de façon répétée, la température du plateau dans cette zone sera réduite.	Faire tourner les tartes dans les zones inutilisées de la plaque de cuisson qui sont plus chaudes et feront cuire les fonds plus rapidement.
	Les micro glissières sont trop ouvertes.	Fermez les micro glissières (tirer pour sortir) jusqu'à ce que la combinaison désirée soit atteinte. Cela aidera à réduire la chaleur du haut.
Le dessous des tartes brûle avant que les garnitures soient cuites	Température de plateau trop élevée - surtout pendant les périodes lentes.	Réduire le réglage du thermostat de 50° à 75° sous la température normale de cuisson. Lorsque les soles sont refroidies, commencer à cuire et augmenter immédiatement le réglage du thermostat de 50° à 75°.
	Les micro glissières sont trop fermées.	Ouvrez micro glissières (pousser) pour augmenter la chaleur du haut.
	Le four a été laissé « MARCHE » pendant la nuit.	Le four doit être tourné en position « pilote » pendant la nuit. Il ne doit pas être laissé à une température élevée.
	Ventilateur d'échappement trop puissant.	Réduire la vitesse du ventilateur.
Tartes cuitent inégalement	Les zones adjacentes aux parois du four sont généralement plus chaudes.	Faire tourner les tartes (180°), une fois pendant chaque cuisson ou les garder au centre du four.
Le four ne s'allume et ne s'éteint pas à temps. (Fours équipés d'un démarreur de four automatique seulement)	Câble d'alimentation non branché.	Brancher l'unité.
	Le fusible/disjoncteur de la prise électrique est déclenché.	Remplacer le fusible ou réinitialiser le disjoncteur.
	Minuteur mal réglé.	Réinitialiser le minuteur.
Unité prend trop de temps à atteindre temp.	Volume ou pression de gaz peut être inadéquate.	Contactez fournisseur de gaz.
		Appelez l'agent local autorisé du Bakers Pride Service.

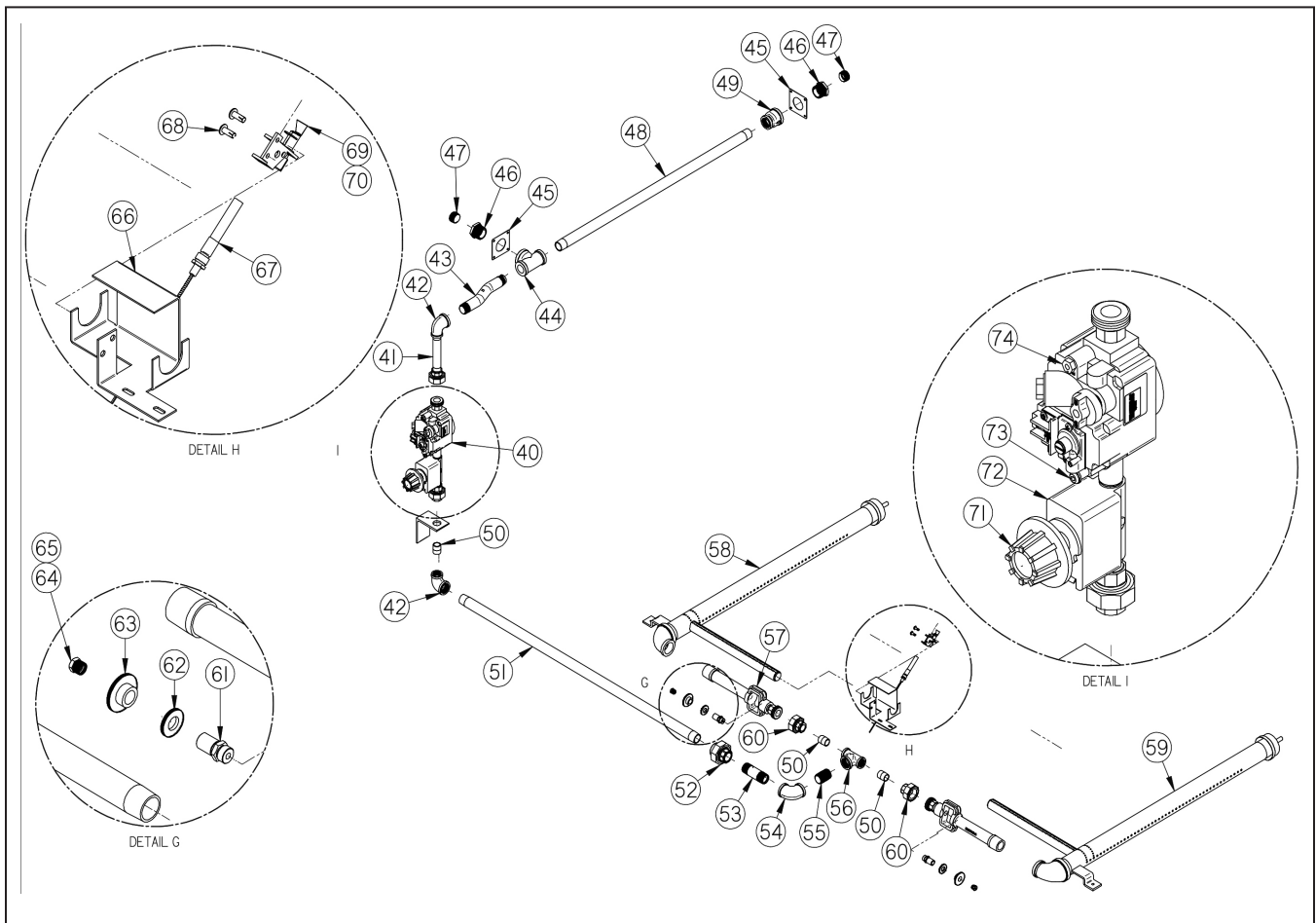
VUES ÉCLATÉES ET LISTES DES PIÈCES

Vue éclatée - Y600/Y800



## VUES ÉCLATÉES ET LISTES DES PIÈCES

### Vue éclatée - Y600/Y800 Contrôles/Brûleurs



**VUES ÉCLATÉES ET LISTES DES PIÈCES**
**Liste Pièces - Y600**

ÉLÉMENT	# PIÈCE	QTÉ	DESCRIPTION
1	21910330	1	ASSY, PORTE BAS Y600/800
2	21910331	1	ASSY, PORTE HAUT Y600/800
3	A8057K	1	GARNITURE BAS
4	A4980T	1	MANCHON PANNEAU DE COMMANDE, SS
5	21910188	1	PANNEAU, DEVANT CÔTÉ CONTRÔLE
6	A8056K	1	GARNITURE HAUT
7	21910189	1	PANNEAU, DEVANT CÔTÉ DROIT
8	21910332	1	SOUDURE, PORTE BAS BRAS GE
9	21910316	1	SOUDURE, PORTE BAS BRAS DT
10	Q2025A	10	VERROUILLER, 1/4-20 X 3/4 HEX HD ZINC
11	21910310	1	SOUDURE, PORTE HAUT BRAS GAUCHE
12	Q2401A	2	ÉCROU, HEXA, 9/16-18
13	S3276A	1	PORTE BRAS RESSORT, 2,78 PO BAS
14	Q3007A	1	LAVEUSE, 9/16 VERROUILLAGE SÉPARATION
15	S3007A	2	DOUILLE ASSY, PTFE 5/0,63 X 0,56
16	Q3010A	4	LAVEUSE, 3/8-7/16 X 1 PO X 5/64 PLAT
17	Q2301A	1	VERROUILLER, 3/8-16 X 9/32 X 1 ÉPAULE
18	A3079K	2	GLISSIÈRE DÉVIATEUR FLAMME (35 PO)
19	A8035K	2	CINTRE, DIVISEUR FLAMME
20	A8030T	4	CADRE ASM, SUPPORT FOYER
21	A4132Z	1	FEUILLE DE REVÊTEMENT DE FOYER, 36 X 39,25
22	A4133Z	1	FEUILLE DE REVÊTEMENT DE FOYER, 36 X 20 X 20,75
23	A8036K	1	CINTRE, DIVISEUR FLAMME MILIEU
24	T1381A	3	FOYER PIERRE, AWMCO 36 PO X 20 PO X 2 PO
25	S3134A	5	DOUILLE, 81/0,88 D. INT. X 1 X 1,25 D. EXT.
26	S3133A	5	MANCHON, DURALON 0,75 D. INT. X 0,88 D. EXT.
27	A8017K	2	ANGLE, PORTE COINCÉE BAS
28	A8016K	2	ANGLE, PORTE COINCÉE
29	R3115A	1	DÉFLECTEUR CONDUIT
30	U1356A	2	PLAQUE POUSSER-TIRER
31	S1005A	2	BOUTON, PRESSION-TRACTION 3/8-16 NOIR
32	8808902	1	PLAQUE SIGNALÉTIQUE, BAKERS PRIDE, FOURS À SOLES
33	21910312	1	SOUDURE, PORTE HAUT BRAS DROIT
34	A8061K	1	COUVERTURE, REVÊTEMENT FOYER
35	A8082K	1	COUVERTURE AVANT PORTE ACCÈS GAUCHE
36	S1004Y*	1	PIED, 30 PO [ENSEMBLE DE 4]
37	S1120Y*	1	PIED & ROULETTE 30 PO [ENSEMBLE DE 4]
38	S1003Y*	1	PIED, 16 PO [ENSEMBLE DE 4]
39	S1119Y*	1	PIED & ROULETTE 16 PO [ENSEMBLE DE 4]
40	M1242P	1	CONTRÔLE ASSY, Y600
41	N5014A	1	MAMELON, 1/2 PO X 5 PO, TUYAU NOIR
42	N3021A	2	RÉDUCTION COUDE, 3/4 PO X 1/2 PO 90° NOIRSTL

ÉLÉMENT	# PIÈCE	QTÉ	DESCRIPTION
43	N5232A	1	MAMELON, 3/4 PO X 6-3/4 PO, TUYAU NOIR, 3/4 COMPENSÉ
44	N3002A	1	TEE, 3/4 PO X 3/4 PO X 1 PO, TUYAU NOIR RÉDUCTION
45	K1332B	2	PATCH DE COUVERTURE ARRIÈRE, SS
46	N3008A	2	DOUILLE, 1 PO X 3/4 PO RÉDUCTION, TUYAU NOIR
47	N3022A	2	BOUCHON, 3/4 PO TUYAU ACIER, W/1/2 PO RENFORCEMENT CARRÉ
48	N5217P	1	MAMELON, 3/4 PO X 27-3/4 PO, TUYAU NOIR
49	N3007A	1	COUPLAGE, 1 PO X 3/4 PO RÉDUCTION, TUYAU NOIR
50	N5009A	6	MAMELON, 1/2 PO X 15/16 PO, TUYAU NOIR
51	N 5231P	1	MAMELON, 3/4 PO X 34-1/4 PO, TUYAU NOIR
52	00235	2	3/4 PO UNION NOIRE STL
53	N5218A	1	MAMELON, 3/4 PO X 3 PO, TUYAU NOIR
54	N3004A	1	COUDE, 3/4 PO 90 ° NOIR STL
55	N5213A	1	MAMELON, 3/4 PO X 1-1/2 PO, TUYAU NOIR
56	N3012A	1	RÉDUCTION TEE, 1/2 PO X 1/2 PO X 3/4 PO, TUYAU NOIR
57	L5001A	2	INSPIRATEUR, #3 NOIR
58	L5121T	1	BRÛLEUR ASSY, GH
59	L5122T	1	BRÛLEUR ASSY, RH
60	N3009A	4	1/2 PO UNION NOIRE STL
61	R3004A	2	PORTE-SPUD #3
62	R3006A	2	DISQUE DE VERROUILLAGE, SPUD
63	R3005A	2	DISQUE D'AJUSTEMENT SPUD #3
64	R3117P	2	ORIFICE, #25 NAT, #3 SPUD
65	R3129P*	2	ORIFICE, #43 NAT, #3 SPUD
66	A4143K	1	SUPPORT DE MONTAGE PILOTE
67	M1265A	1	THERMOPILE, Q313
68	Q1401A	2	VIS, 10-32 X 1/2 PO PAN HD
69	M1220A	1	BRÛLEUR PILOTE NAT
70	M1245A	*1	BRÛLEUR PILOTE LP
71	S1056A	1	BOUTON, THERMOSTAT, 650 "F", GAZ NOIR
72	M1005A	1	THERMOSTAT, 650 °F, FDTH
73	N3068P	1	PRISE DE PRESSION ASSY
74	M1242P	1	CONTRÔLE ASSY BMVR NAT
75	M1248P*	1	CONTRÔLE ASSY BMVR LP
76	A8006K*	1	ENTRETOISE DE SUPPORT DOUBLÉE DE BRIQUE
77	T1375A*	7	PLATEAU DE CUISSON, CÉRAMIQUE
78	S3275A	1	PORTE BRAS RESSORT, 2,78 PO

\* INDICATEURS PAS ILLUSTRÉS

**NETTOYAGE ET ENTRETIEN**
**Liste Pièces - Y800**

ÉLÉMENT	# PIÈCE	QTÉ	DESCRIPTION
1	21910330	1	ASSY, PORTE BAS Y600/800
2	21910331	1	ASSY, PORTE HAUT Y600/800
3	A8057K	1	GARNITURE BAS
4	A4980T	1	MANCHON PANNEAU DE COMMANDE, SS
5	21910288	1	PANNEAU, DEVANT CÔTÉ CONTRÔLE
6	A8056K	1	GARNITURE HAUT
7	21910289	1	PANNEAU, DEVANT CÔTÉ DROIT
8	21910332	1	SOUDURE, PORTE BAS BRAS GE
9	21910316	1	SOUDURE, PORTE BAS BRAS DT
10	Q2025A	10	VERROUILLER, 1/4-20 X 3/4 HEX HD ZINC
11	21910310	1	SOUDURE, PORTE HAUT BRAS GAUCHE
12	Q2401A	2	ÉCROU, HEXA, 9/16-18
13	S3276A	1	PORTE BRAS RESSORT, 2,78 PO BAS
14	Q3007A	1	LAVEUSE, 9/16 VERROUILLAGE SÉPARATION
15	S3007A	2	DOUILLE ASSY, PTFE 0,5/0,63 X 0,56
16	Q3010A	4	LAVEUSE, 3/8-7/16 X 1 PO X 5/64 PLAT
17	Q2301A	1	VERROUILLER, 3/8-16 X 9/32 X 1 ÉPAULE
18	A3079K	2	GLISSIÈRE DÉVIATEUR FLAMME (35 PO)
19	A8035K	2	CINTRE, DIVISEUR FLAMME
20	A8030T	4	CADRE ASM, SUPPORT FOYER
21	A4132Z	1	FEUILLE DE REVÊTEMENT DE FOYER, 36 X 39,25
22	A4133Z	1	FEUILLE DE REVÊTEMENT DE FOYER, 36 X 20 X 20,75
23	A8036K	1	CINTRE, DIVISEUR FLAMME MILIEU
24	T1381A	3	FOYER PIERRE, AWMCO 36 PO X 20 PO X 2 PO
25	S3134A	5	DOUILLE, 81/0,88 D. INT. X 1 X 1,25 D. EXT.
26	S3133A	5	MANCHON, DURALON 0,75 D. INT. X 0,88 D. EXT.
27	A8017K	2	ANGLE, PORTE COINCÉE BAS
28	A8016K	2	ANGLE, PORTE COINCÉE
29	R3115A	1	DÉFLECTEUR CONDUIT
30	U1356A	2	PLAQUE POUSSER-TIRER
31	S1005A	2	BOUTON, PRESSION-TRACTION 3/8-16 NOIR
32	8808902	1	PLAQUE SIGNALÉTIQUE, BAKERS PRIDE, FOURS À SOLES
33	21910312	1	SOUDURE, PORTE HAUT BRAS DROIT
34	A8061K	1	COUVERTURE, REVÊTEMENT FOYER
35	A8082K	1	COUVERTURE AVANT PORTE ACCÈS GAUCHE
36	S1004Y*	1	PIED, 30 PO [ENSEMBLE DE 4]
37	S1120Y*	1	PIED & ROULETTE 30 PO [ENSEMBLE DE 4]
38	S1003Y*	1	PIED, 16 PO [ENSEMBLE DE 4]
39	S1119Y*	1	PIED & ROULETTE 16 PO [ENSEMBLE DE 4]
40	M1242P	1	CONTRÔLE ASSY, Y600
41	N5014A	1	MAMELON, 1/2 PO X 5 PO, TUYAU NOIR
42	N3021A	2	RÉDUCTION COUDE, 3/4 PO X 1/2 PO 90° NOIRSTL

ÉLÉMENT	# PIÈCE	QTÉ	DESCRIPTION
43	N5232A	1	MAMELON, 3/4 PO X 6-3/4 PO, TUYAU NOIR, 3/4 COMPENSÉ
44	N3002A	1	TEE, 3/4 PO X 3/4 PO X 1 PO, TUYAU NOIR RÉDUCTION
45	K1332B	2	PATCH CAPOT ARRIÈRE, SS [
46	N3008A	2	DOUILLE, 1 PO X 3/4 PO RÉDUCTION, TUYAU NOIR
47	N3022A	2	BOUCHON, 3/4 PO TUYAU ACIER, W/1/2 PO RENFORCEMENT CARRÉ
48	N5252A	1	MAMELON, 3/4 PO X 36 PO, TUYAU NOIR
49	N3007A	1	COUPLAGE, 1 PO X 3/4 PO RÉDUCTION, TUYAU NOIR
50	N5009A	6	MAMELON, 1/2 PO X 15/16 PO, TUYAU NOIR
51	N5220P	1	MAMELON, 3/4 PO X 37-1/4 PO, TUYAU NOIR
52	300235	2	3/4 PO UNION NOIRE STL
53	N5218A	1	MAMELON, 3/4 PO X 3 PO, TUYAU NOIR
54	N3004A	1	COUDE, 3/4 PO 90° NOIR STL
55	N5213A	1	MAMELON, 3/4 PO X 1-1/2 PO, TUYAU NOIR
56	N3012A	1	RÉDUCTION TEE, 1/2 PO X 1/2 PO X 3/4 PO, TUYAU NOIR
57	L5001A	2	INSPIRATEUR, #3 NOIR
58	L5124T	1	BRÛLEUR ASSY, GH
59	L5125T	1	BRÛLEUR ASSY, RH
60	N3009A	4	1/2 PO UNION NOIRE STL
61	R3004A	2	PORTE-SPUD #3
62	R3006A	2	DISQUE DE VERROUILLAGE, SPUD
63	R3005A	2	DISQUE D'AJUSTEMENT SPUD #3
64	R3117P	2	ORIFICE, #25 NAT, #3 SPUD
65	R3129P*	2	ORIFICE, #43 NAT, #3 SPUD
66	A4143K	1	SUPPORT DE MONTAGE PILOTE
67	M1265A	1	THERMOPILE, Q313
68	Q1401A	2	VIS, 10-32 X 1/2 PO PAN HD
69	M1220A	1	BRÛLEUR PILOTE NAT
70	M1245A	* 1	BRÛLEUR PILOTE LP
71	S1056A	1	BOUTON, THERMOSTAT, 650 "F", GAZ NOIR
72	M1005A	1	THERMOSTAT, 650 °F, FDTH
73	N3068P	1	PRISE DE PRESSION ASSY
74	M1242P	1	CONTRÔLE ASSY BMVR NAT
75	M1248P*	1	CONTRÔLE ASSY BMVR LP
76	A8006K*	1	ENTRETOISE DE SUPPORT DOUBLÉE DE BRIQUE
77	T1375A*	8	PLATEAU DE CUISSON, CÉRAMIQUE
78	S3275A	1	PORTE BRAS RESSORT, 2,78 PO

\* INDICATEURS PAS ILLUSTRÉS





## MODÈLE DE PLANCHER GAZ FOUR À SOLES OPÉRATION MANUELLE

### BAKERS PRIDE GARANTIE LIMITÉE

#### CE QUI EST COUVERT

Cette garantie couvre les défauts de matériaux et de fabrication dans le cadre d'une utilisation normale, et s'applique uniquement à l'acheteur initial, à condition que :

- L'équipement n'a pas été accidentellement ou intentionnellement endommagé, altéré ou mal utilisé;
- L'équipement est correctement installé, réglé, utilisé et entretenu conformément aux Codes nationaux et locaux et conformément aux instructions d'installation fournies avec le produit;
- La plaque signalétique du numéro de série apposée sur l'équipement n'a pas été altérée ni retirée.

#### QUI EST COUVERT

Cette garantie est étendue à l'acheteur initial et ne s'applique qu'à l'équipement acheté pour utilisation aux États-Unis.

#### DURÉE DE LA COUVERTURE

Fours à convection Cyclone : Modèles BCO : Garantie limitée de un (1) an sur les pièces et sur la main-d'œuvre; (1) an garantie porte.

Modèles GDCO : Garantie limitée de deux (2) ans sur les pièces et sur la main-d'œuvre; (2) ans garantie de porte limitée.

Modèles CO11 : Garantie limitée de deux (2) ans sur les pièces et sur la main-d'œuvre; (5) ans garantie limitée porte.

Tous les autres produits : Garantie limitée de un (1) an sur les pièces et sur la main-d'œuvre. La période de garantie commence à la date de la facture du concessionnaire au client ou quatre-vingt-dix (90) jours après la date d'expédition de Bakers Pride, selon la première éventualité.

#### GARANTIE

Cette garantie couvre la main-d'œuvre, les pièces, le temps et les frais de déplacement raisonnables du service autorisé.

#### COUVERTURE

Représentant jusqu'à (100) milles, aller-retour et (2) heures de trajet. L'acheteur est toutefois responsable de toutes les dépenses liées aux déplacements, y compris le temps, le kilométrage et les frais d'expédition pour les petits modèles comptoirs qui peuvent être transportés dans un Centre de service autorisé en usine, y compris les modèles suivants : PX-14, PX-16, P18, P22S, P24S, PD-4, PDC, Séries WS et BK-18.

#### EXCEPTIONS

Toutes les pièces amovibles de l'équipement de cuisson Bakers Pride®, y compris mais sans s'y limiter : Les Brûleurs, Grilles, Radiants, Pierres et Vannes, sont couverts pour une période de SIX MOIS. Toutes les soles de cuisson en céramique sont garanties pour une période de TROIS MOIS. L'installation de ces soles de remplacement est la responsabilité de l'acheteur. La garantie prolongée de la porte Cyclone couvre seulement les pièces durant les années 3 et 5 de la garantie et n'inclut pas la main-d'œuvre, les déplacements, le kilométrage ou tout autre frais.

#### EXCLUSIONS

- Négligence ou actes de Dieu,
- Défaillances causées par des tensions erratiques ou des approvisionnements en gaz,
- Calibration de thermostat plus de (30) jours après la date d'installation,
- Réparation non autorisée par toute personne autre qu'un centre de service autorisé de Bakers Pride Factory,
- Ajustements d'air et de gaz,
- Dommage au cours de l'expédition,
- Ampoules,
- Modification, mauvaise utilisation ou mauvaise installation,
- Portes vitrées et ajustements de porte,
- Thermostats et soupapes de sécurité avec tubes capillaires brisés,
- Fusibles,
- Soles de travail pour griller et planches à découper,
- Serrage des chaînes de convoyage,
- Ajustements aux flammes de brûleurs et nettoyage des brûleurs pilotes,
- Serrage des vis ou des fixations,
- Accessoires — spatules, fourchettes, tourniquets à steaks, élévateurs de grilles, brosses à fours, grattoirs, pelures, etc,
- Fret — autres que les frais normaux d'UPS,
- Usure ordinaire.

#### INSTALLATION

Le nivellement et l'installation des soles, ainsi que l'installation appropriée et la vérification de tous les nouveaux équipements — selon l'installation et l'utilisation appropriées des matériaux — relèvent de la responsabilité du concessionnaire ou de l'installateur, et non du fabricant.

#### PIÈCES DE REMPLACEMENT

Les pièces d'origine OEM d'usine de Bakers Pride bénéficient d'une garantie de (90) jours sur les matériaux à compter de la date d'installation par un centre de service agréé de Bakers Pride Factory.

La présente garantie remplace toute autre garantie, expresse ou implicite, et toute autre obligation ou responsabilité de la part du fabricant. Bakers Pride ne sera en aucun cas responsable des dommages spéciaux, indirects ou consécutifs, ni des dommages excédant le prix d'achat de l'unité. La réparation ou le remplacement de pièces prouvées défectueuses constitue un accomplissement de toutes les obligations aux termes de la présente garantie.

Formulaire #U4177A 1/07







1307 route N. Watters, Suite. 180 Allen, Texas 75013  
Téléphone 800.527.2100 | Télécopieur 914.576.0605 | [bakerspride.com](http://bakerspride.com)

Assurez-vous de suivre les annonces de nouveaux produits et d'événements sur les médias sociaux!

