



1060 SERIES PIZZA OVENS REPLACEMENT PARTS LIST



EFFECTIVE AUGUST 12, 2020

Superseding All Previous Parts Lists.

The Company reserves the right to make substitution in the event that items specified are not available.

ERRORS: Descriptive and/or typographic errors are subject to correction.

BLODGETT OVEN COMPANY

42 Allen Martin Drive, Essex Junction, VT 05452 USA Telephone: (802) 658-6600 Fax: (802) 860-3732
www.blodgett.com

P/N 54117 Rev K

IMPORTANT: When ordering parts, please provide the model, gas type and serial number of the oven. The identification plate is located on the left side of the combustion compartment and, also, above the control panel under the ledge.

ASAP Distributor Required Stocking Parts
 ◆ Doors Are Not Returnable
 * Item Is Too Large For UPS

BURNER & PIPING ASSY. PARTS

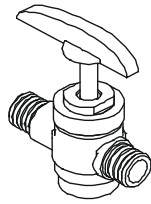
Ref. No.	Part No.	Description
8	7942	Steel Tube Burners (Set of 2) (Before 7/86)
	33294	Steel Tube Burners (Set of 2) (After 7/86)
	16361	Air Shutter Only
	3001	Locknut for Air Shutter
	8717	Orifice, Main Burner (Set of 2) (Specify Model & Gas Type)
	4872	Manifold Plug 1/8"
	34960	Manifold Assy. (w/flex hose)
	34958	Flexible Hose w/fittings (for Manifold)
	17649	Thru Pipe
	3807	Union 1/2"
	1949	Nipple 1/2" x 1-3/16"
4	<input checked="" type="checkbox"/> 11529	Thermostat, FDH w/ Knob (300°- 650°)
	10392	Dial/Knob, Thermostat FDH
2	<input checked="" type="checkbox"/> 7854	Gas Valve w/ Handle
	<input checked="" type="checkbox"/> 7855	Handle, Gas Valve
	52302	Upgrade safety valve kit (see note)
NOTE: Needed for any oven manufactured between 3/61 and 2/16/12. This upgrade kit is only needed once per oven.		
	55127	TS11 Safety valve for ovens manufactured after 2/16/12 with 1/4" pilot tube
	100653	TS11 Thermocouple for ovens manufactured after 1/18/09
	58509	Pilot Assy, Natural for ovens manufactured after 2/16/12 with 1/4" pilot tube
	58509	Pilot Assy, LP for ovens manufactured after 2/16/12 with 1/4" pilot tube
	8708	Tubing, Pilot Burner, 3/16" O.D.
	57102	Tubing, Pilot, 1/4" O.D.
	1979	Nipple 1/2" x 1-1/2"
7	4589	Pressure Regulator, Natural
	10441	Pressure Regulator, LP
	<input checked="" type="checkbox"/> 5386	Orifice, Pilot, Natural (.018) (Before 1/25/09)
	<input checked="" type="checkbox"/> 5387	Orifice, Pilot, LP (.010) (Before 1/25/09)
	55245	Pilot Assy, Natural or LP after 1/18/09, before 2/16/12 (splice kit)

BAKING COMPARTMENT COMPONENTS

Ref. No.	Part No.	Description
*	59084	Ultra Rokite Deck (3 Piece) Consists of (2) 59085 & (1) 59086
NOTE: Cordierite is not to be used with Rokite. Cordierite Decks are no longer available, please order Ultra Rokite replacements.		
	17960	Steel Shelf (3 Piece)
	3655	Flue Plate, LH
	3656	Flue Plate, RH
	23234	Flue Back & Side, LH Adjustable
	23235	Flue Back & Side, RH Adjustable
5	17612	Baking Door Seal (Crumb Catcher)
	17964	Thermostat Bulb Guard (Before 11/09/09)
	53114	Thermostat Bulb Guard (After 11/09/09)

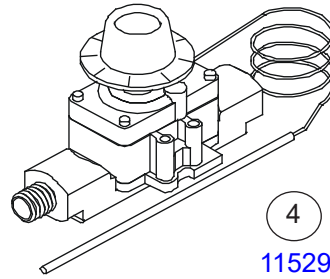
BURNER COMPARTMENT COMPONENTS

Ref. No.	Part No.	Description
	<input checked="" type="checkbox"/> 23107	Deflector Assy. (3 Piece)
9	23106	Deflector, Side Panel (Each)
10	<input checked="" type="checkbox"/> 5593	Deflector, Center Panel
NOTE: Two piece deflectors are no longer available.		
	20726	Pilot Shield, S/S
	17966	Manifold Shield Assy. (2 Piece) (Before 8/86)
	19144	Manifold Shield Assy. (3 Piece) (After 7/86)
	18655	Manifold Shield, Center
	20725	Burner Divider
	8352	Insulation Cover, RH (Before 8/86)
	8351	Insulation Cover, LH (Before 8/86)
	23118	Insulation Cover, RH (After 7/86)
	23119	Insulation Cover, LH (After 7/86)



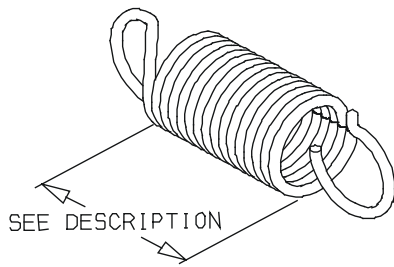
7854

2



4

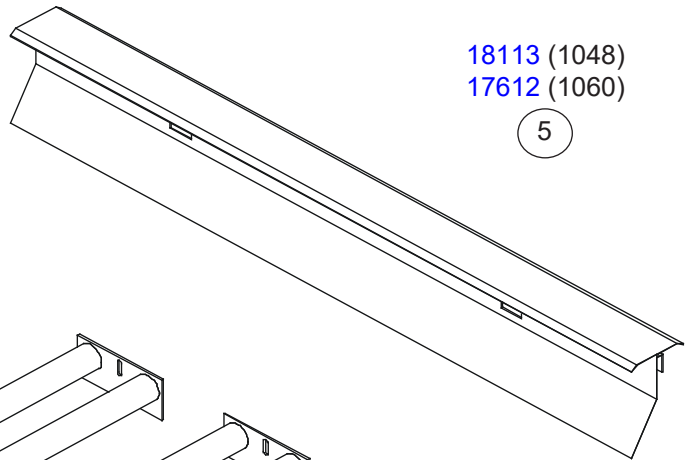
11529



SEE DESCRIPTION

6

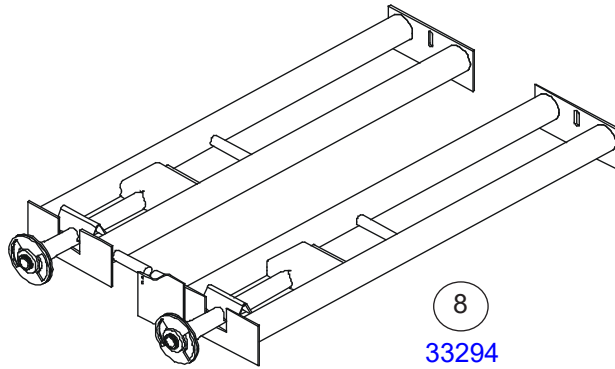
17712
17713
19780



18113 (1048)

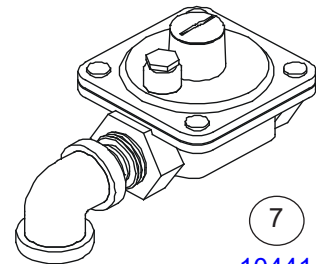
17612 (1060)

5



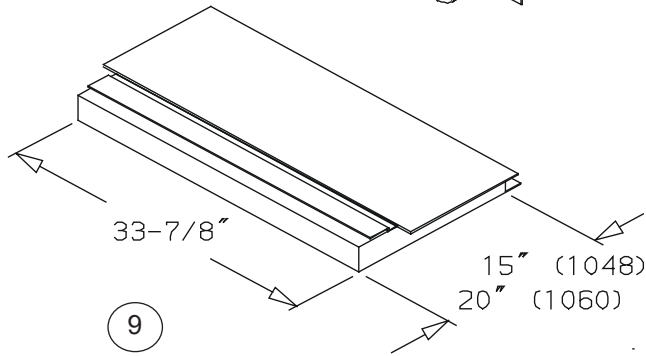
8

33294



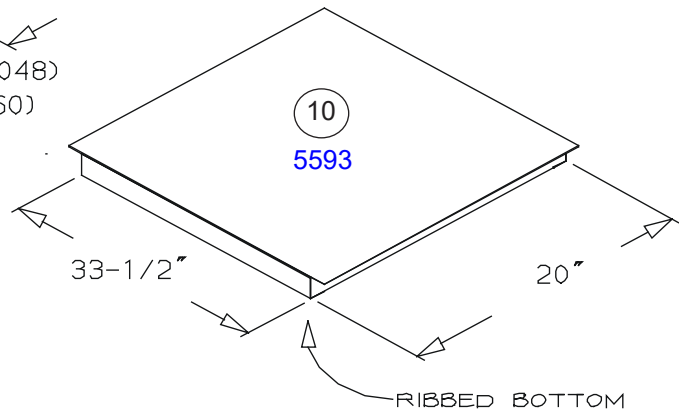
7

10441
4589



9

23106



10

5593

RIBBED BOTTOM

DOOR COMPONENTS

Ref. No.	Part No.	Description
◆	19147	Burner Door Assy. (Complete w/ Handle, Support Arms & Hinge Pin) (After 7/86)
	8336	Handle, Burner Door, 12-5/8"
	8337	Support Arm, Burner Door
	7873	Hinge Pin, Burner Door
*◆	59780	Baking Door Assy. (Complete w/ Handle, Support Arms & Hinge Pin)
	17963	Handle, Baking Door, 42"
	8342	Support Arm, Baking Door, LH (Before 2-14-2018)
	8343	Support Arm, Baking Door, RH (Before 2-14-2018)
	59774	Support Arm, Baking Door RH (After 2-14-2018)
	59775	Support Arm, Baking Door LH (After 2-14-2018)
	59795	Support Arm Pin (After 2-14-2018)
	18383	Hinge Assy, Door Link (Before 2-14-2018)
	21433	Hinge Pin, Baking Door, RH
	3840	Retainer Ring, Baking Door
	5878	Spirol Pin
	11694	Washers, Door (Flat) (Set of 10)
	17715	Washer, Curved Spring
	17970	Holder Assy. w/ Pins, Spring
6	☑ 17712	Spring, Main 8" (Larger)
6	☑ 17713	Spring, Helper 6" (Smaller) (Before 3/1/2011)
6	☑ 19780	Spring, Helper 6" (smaller) (After 3/1/2011)
	17575	Seal, Door Opening Top, S/S (welded)
	17591	Coupling, Door Spring
	17623	Bearing, Cylindrical
	17624	Bearing, Flanged Door
	59781	Arm Replacement Kit

EXTERIOR COMPONENTS

Ref. No.	Part No.	Description
*	17651	Crown Assy, S/S (Trim at top of oven)
*	19107	Stacking Crown, S/S (w/ Bottom Air Intake) (Before 8/86 and After 4/89)
*	18827	Stacking Crown, S/S (w/ Front Air Intake) (Between 8/86 and 4/89)
	8349	Flue Connector
	31689	Draft Diverter, Canopy Venting, S/S
	8348	Draft Hood, Direct Venting (10" Dia.)
	17830	Legs, 12" S/S w/ Bolts (Set of 4)
	18693	Legs, 19" S/S w/ Bolts (Set of 4)
	17831	Legs, 32" S/S w/ Bolts (Set of 4)
	7847	Bolts, Legs (Set of 8)
	30822	Legs w/ Casters, 7" Black w/ Bolts (Set of 4)
	31588	Legs w/ Casters, 12" Black w/ Bolts (Set of 4)
	30823	Legs w/ Casters, 19" Black w/ Bolts (Set of 4)

30824	Legs w/ Casters, 27" Black w/ Bolts (Set of 4)
37008	Access Panel, LH (After 7/86)
18112	Control Cover Panel (7/86 - 1/25/09)
52096	Control Cover (After 1/25/09)
37007	Side Cover (to access springs)
8350	Louver Box
11255	Nameplate, Blodgett 12-3/4"

EXCLUSIVE TO EXPORT (CE and NON CE)

Ref. No.	Part No.	Description
	9635	Dial/Knob, Thermostat FDH (°C) 350° CE & NON CE
	11529	Thermostat CE & NON CE
	10387	Manual Gas Valve CE
	R0364	Knob, "Square D" (for gas valve) CE
	34067	Safety Lighting Pilot Valve CE
	R0364	Knob, "Square D" (for CE safety valve) CE
	3835	Thermocouple CE & NON CE
	8708	Pilot Tubing CE & NON CE
	18419	Manifold Assy NON CE
	17642	Manifold Shield LH & RH NON CE
	17963	Baking Door Handle NON CE

EXCLUSIVE TO CE (MANUFACTURED AFTER JANUARY 2019)

Ref. No.	Part No.	Description
	72443	Thermostat, CE
	10387	Gas Valve, Manual
	100558	Safety Valve, Pilot, CE
	100141	Control Cover, CE 1048/1060
	71728	Coupling, 1/2"
	55404	Adapter, TS 1K Valve, 1/2"
	100609	stack Assembly 1048/1060
	34077	Manifold Assembly, CE