

HOODINI^{*}**

**BLCT-6E-H AND BLCT-10E-H
HOODINI MINI COMBI OVEN
REPLACEMENT PARTS LIST**

EFFECTIVE APRIL 24, 2023

Superseding All Previous Parts Lists.

The Company reserves the right to make substitution in the event that items specified are not available.

ERRORS: Descriptive and/or typographic errors are subject to correction.

BLODGETT OVEN COMPANY

42 Allen Martin Drive, Essex Junction, Vermont 05452 USA Telephone: (802) 658-6600 Fax: (802) 860-3732
www.blodgett.com

P/N 61938 Rev U

SERIAL NUMBER LOCATION / KEY:

IMPORTANT: When ordering parts, please provide the model, gas type and serial number of the oven. The identification plate is located on the back of the oven.

SERIAL NUMBER IDENTIFICATION CODE:

DW = BLCT-6E-H

DX = BLCT-10E-H

SERIAL NUMBER EXAMPLES

011916DW001

01/19/16 = DATE

DW = LETTER CODE FOR HOODINI COMBI OVENS

001 = FACTORY SEQUENCE

GENERATIONAL IDENTIFICATION

GEN 1 = OVENS MANUFACTURED PRIOR TO MAY 2018

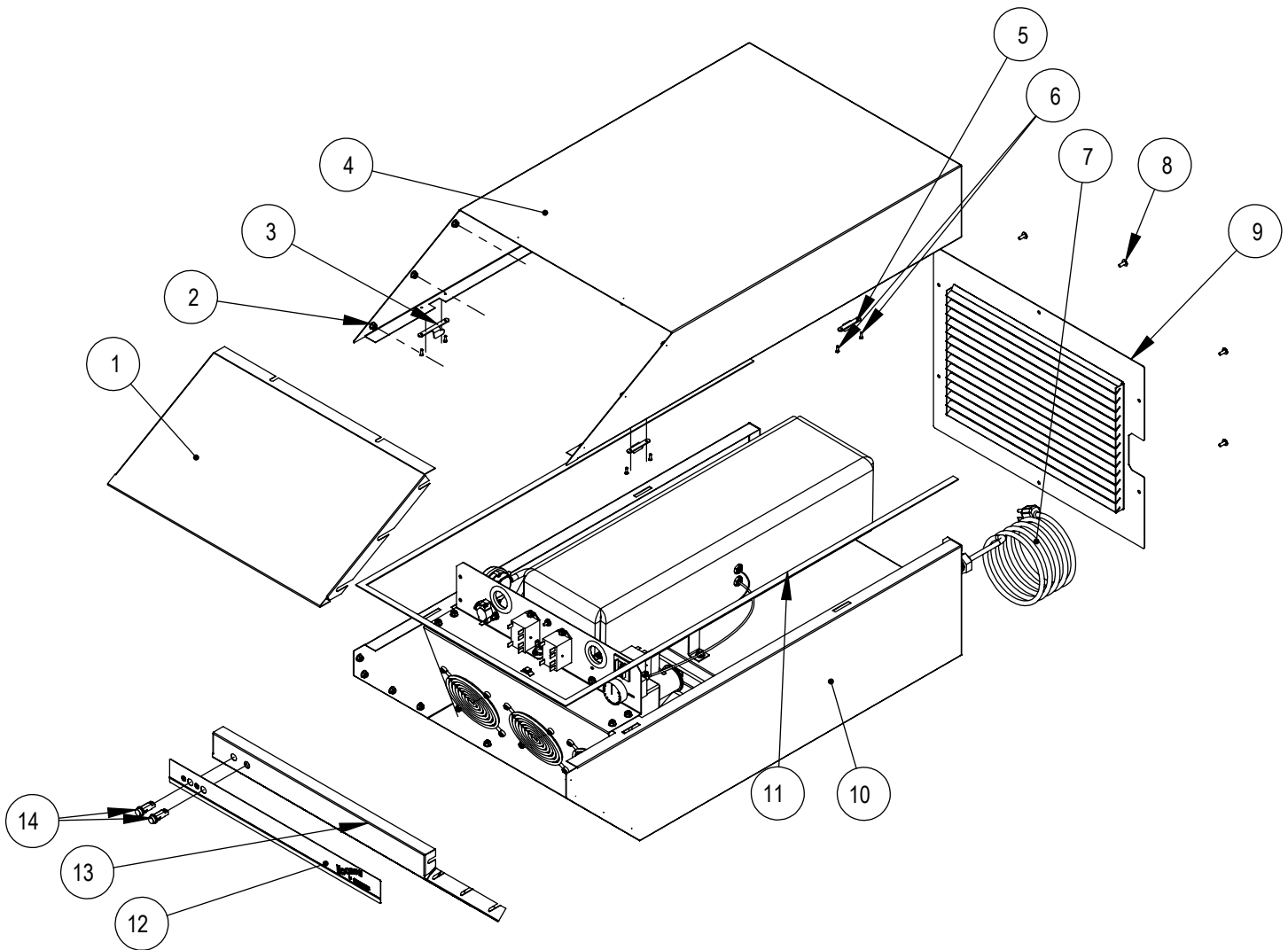
GEN 2 = OVENS MANUFACTURED AFTER MAY 2018

TABLE OF CONTENTS

EXTERIOR COMPONENTS	4
EXTERNAL DRAIN BOX.....	6
HOODINI ELECTRICAL PANEL.....	8
HOODINI CATALYTIC DUCT ASSEMBLY	10
HOODINI CATALYTIC CONDENSER ASSEMBLY	11
HOODINI CONTROL PANEL ASSEMBLY	13

EXTERIOR COMPONENTS

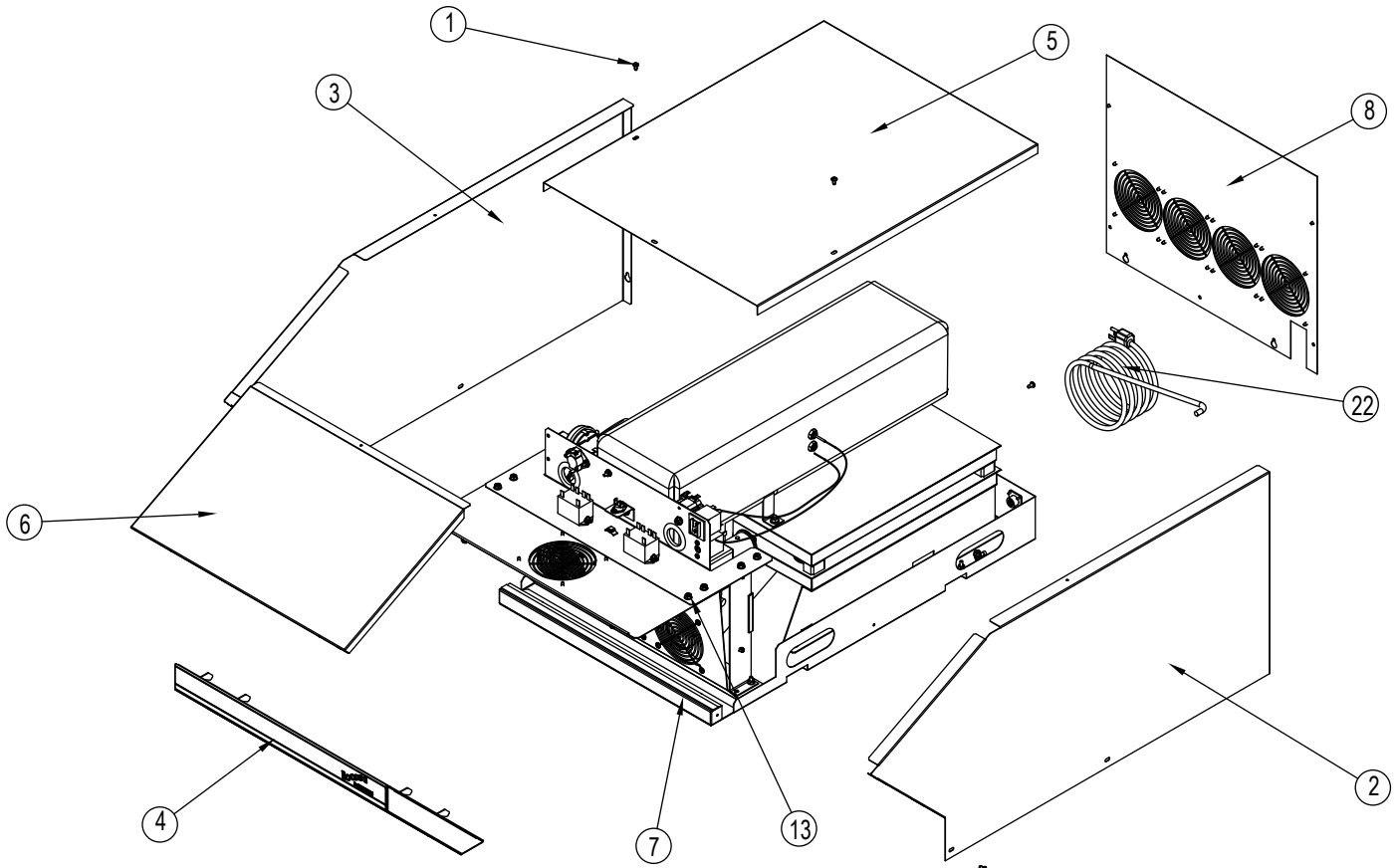
GEN 1 - OVENS MANUFACTURED PRIOR TO MAY 2018



Ref. No.	Part No.	Description	Ref. No.	Part No.	Description
1	61805	TOP, FRONT FACE	11	61715	GASKET TAPE, SILICONE, 1/16 X 1/2
2	M3950	#10-24 HEX FLANGED NUT	12	61737	DECAL, HOODINI
3	61646	LOCKING TAB, LEFT	13	61802	ASSEMBLY, FRONT GRILL
4	61639	TOP, HOOD ASSY	14	18266	INDICATOR LIGHT, BLUE, 120V
5	61647	LOCKING TAB, RIGHT	14	18267	INDICATOR LIGHT, BLUE, 208-240V
6	R1278	RIVET, POP, 1/8 X 1/4			
7	61717	CORDSET, 14/3, 15A, 120"			
8	16384	10-24 X .500 TRUSS HEAD MACH SCREW			
9	61643	BACK, VENT ASSEMBLY			
10	61625	BASE, VENT ASSEMBLY			

EXTERIOR COMPONENTS

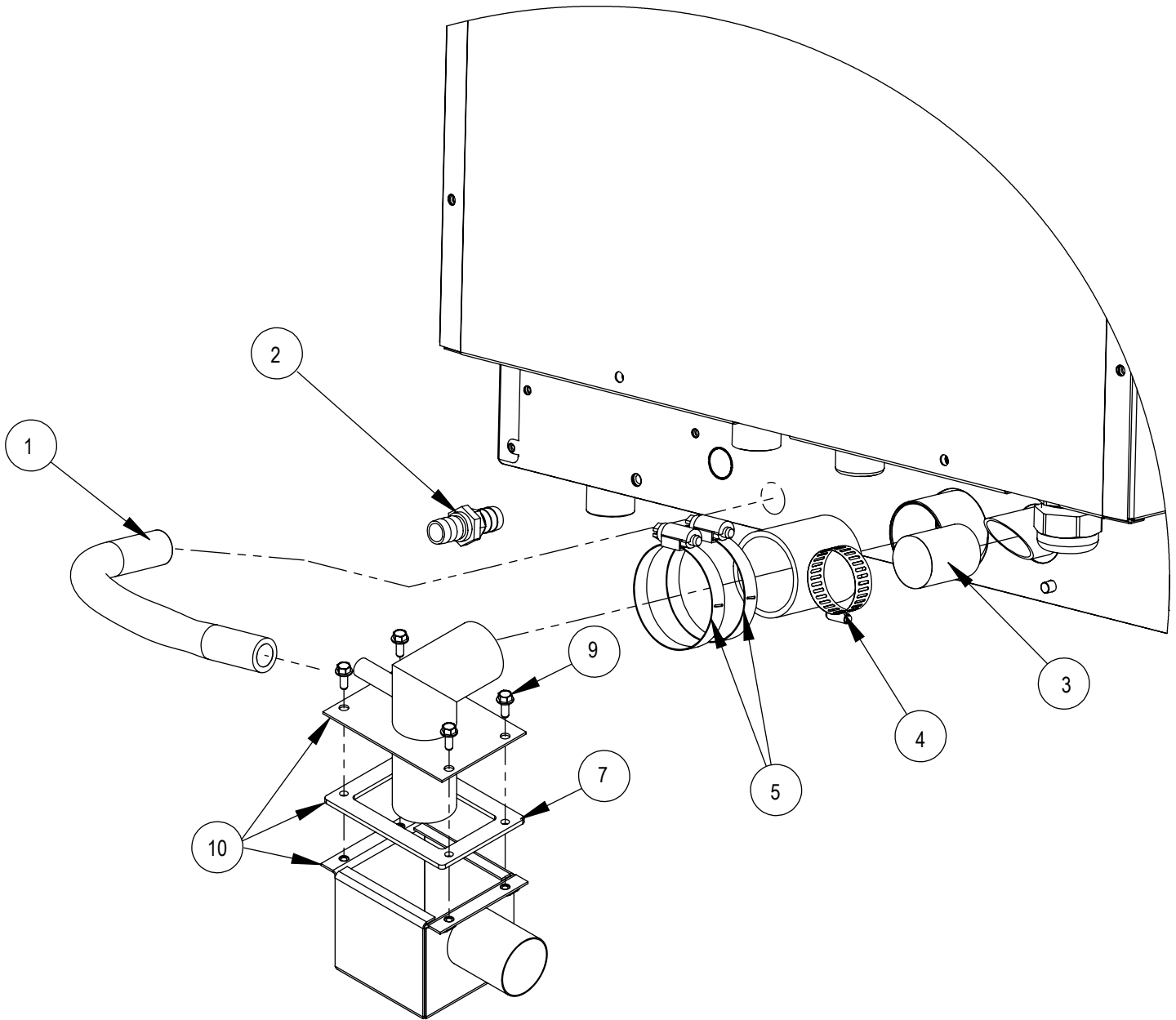
GEN 2 - OVENS MANUFACTURED AFTER MAY 2018



Ref. No.	Part No.	Description	Ref. No.	Part No.	Description
1	4812	SCREW, MACH, #10 x 3/8	10	38840	SCREW, MACH, 4-40 X 3/8, SS PAN HD
2	62616	SIDE, RH, MINI HOODINI	13	M3950	#10-24 HEX FLANGED NUT
3	62617	SIDE, LH, MINI HOODINI	15	50106	PUSH WING MOUNT
4	62618	GRILL, FULL ASSY, MINI HOODINI	22	61717	CORDSET, 14/3, 15A, 120"
5	62621	TOP, BODY, MINI HOODINI			
6	62624	FRONT, TOP, MINI HOODINI			
7	62733	FRONT LIP, MINI HOODINI			
8	62629	ASSY, BODY BACK, MINI HOODINI			

EXTERNAL DRAIN BOX

FOR OVENS MANUFACTURED BEFORE 8/1/2018

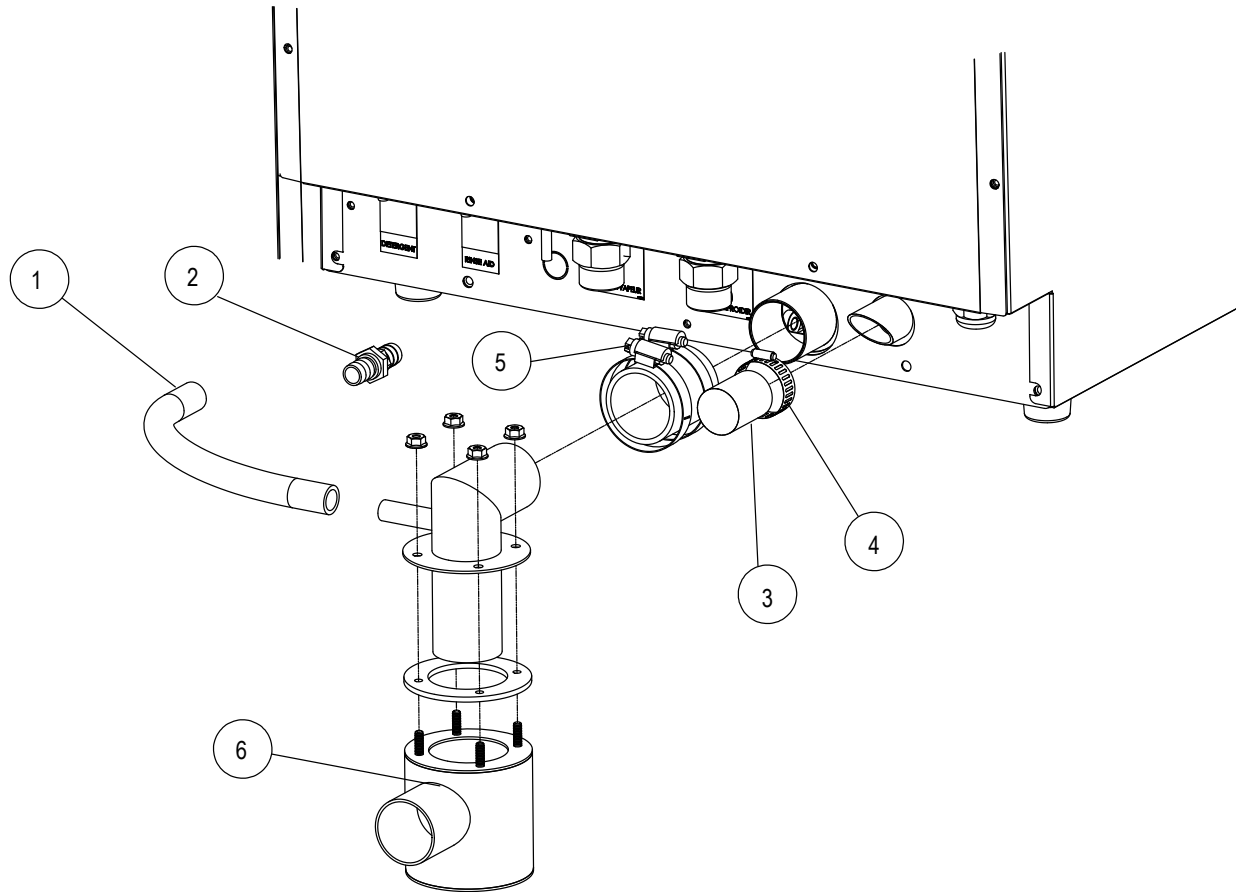


Ref. No.	Part No.	Description
1	R2813	HOSE, 1/2 I.D.
2	61760	FITTING, BULKHEAD, 1/2 HOSE
3	61758	CAP, Ø 1.00 X 1.50
4	R0254	CLAMP, HOSE 3/4" - 1 1/2"
5	R0082	CLAMP, HOSE 1 5/16" - 2 1/4"

Ref. No.	Part No.	Description
7	61994	GASKET, DRAIN BOX (AFTER 8/16/16 AND BEFORE 11/26/18)
	59197	GASKET, DRAIN BOX (BEFORE 8/16/16)
9	57725	SCREW, #10-24 x 1/2" SERRATED HEX FLANGE S/S (BEFORE 11/26/18)
10	61655	BOX ASSY, TRAP

EXTERNAL DRAIN BOX

FOR OVENS MANUFACTURED AFTER 8/1/2018

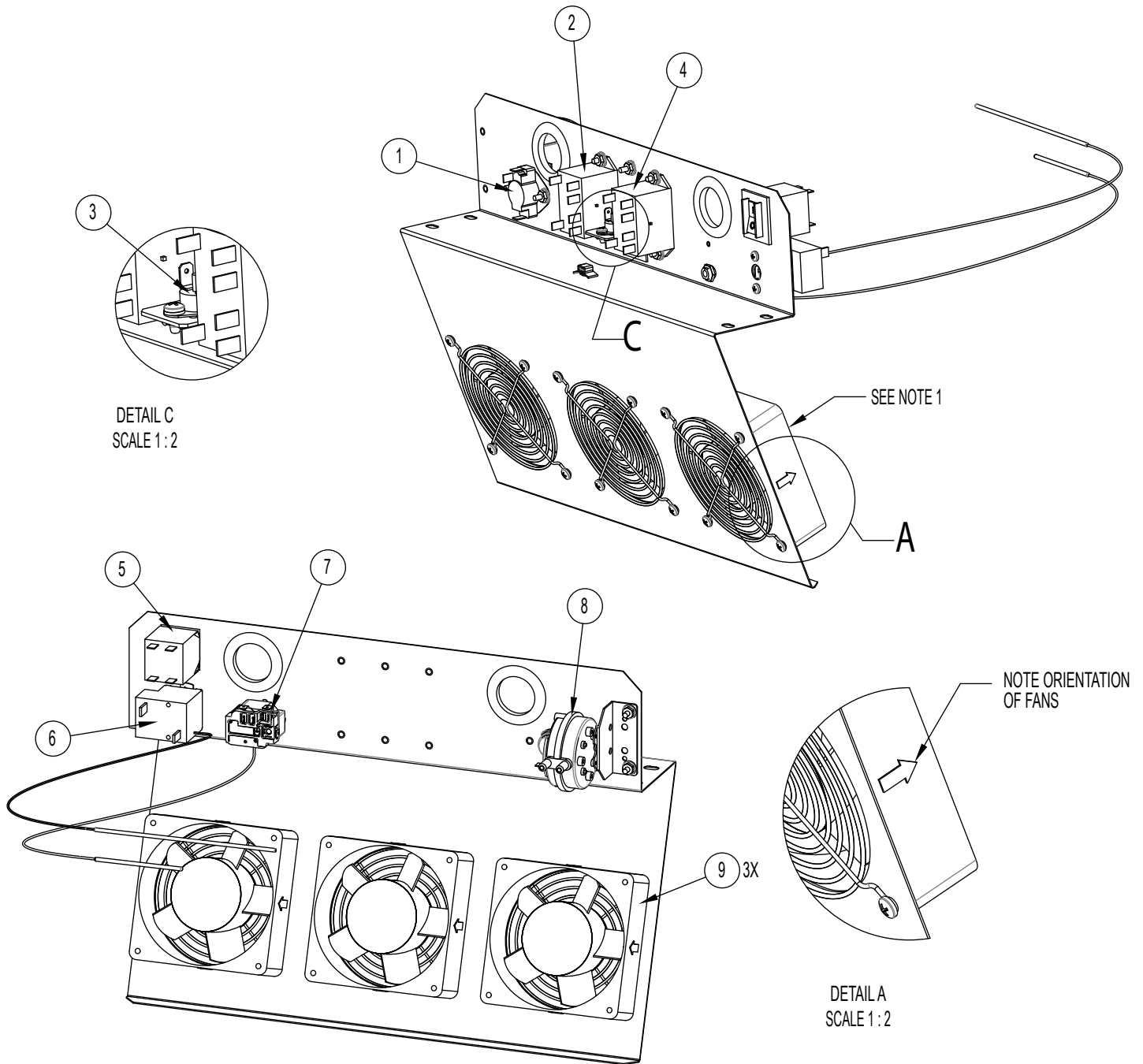


<u>Ref. No.</u>	<u>Part No.</u>	<u>Description</u>
1	R2813	HOSE, 1/2 I.D.
2	61760	FITTING, BULKHEAD, 1/2 HOSE
3	61758	CAP, Ø 1.00 X 1.50
4	R0254	CLAMP, HOSE 3/4" - 1 1/2"
5	R0082	CLAMP, HOSE 1 5/16" - 2 1/4"

<u>Ref. No.</u>	<u>Part No.</u>	<u>Description</u>
6	61956	DRAIN TRAP ASSEMBLY

HOODINI ELECTRICAL PANEL

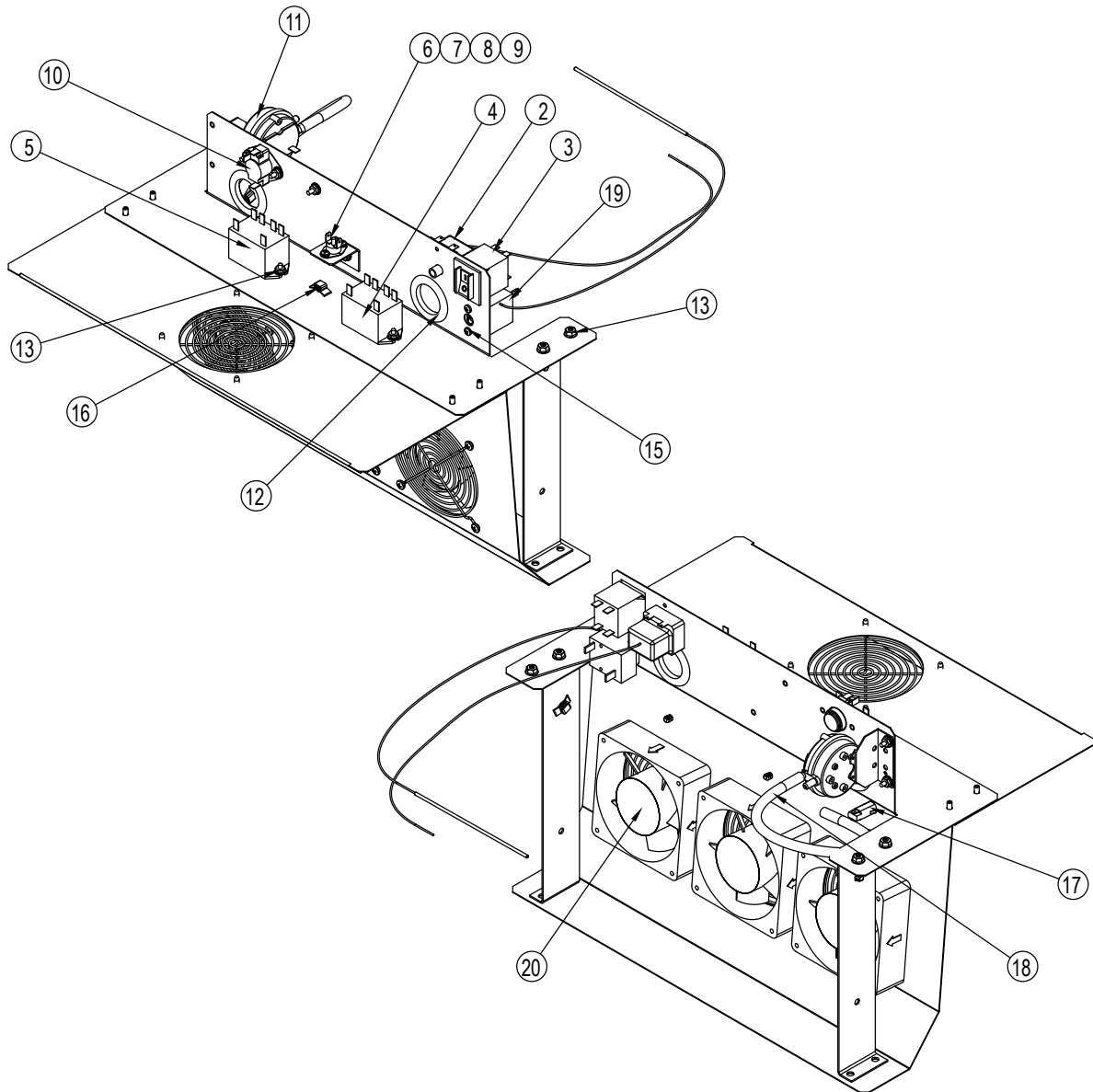
GEN 1 - OVENS MANUFACTURED PRIOR TO MAY 2018



Ref. No.	Part No.	Description	Ref. No.	Part No.	Description
1	36755	SWITCH, THERMAL, SPDT	6	59369	THERMOSTAT, CAPILLARY (140-752F)
2	37058	RELAY, DPST 25A 24V	7	58025	THERMOSTAT, HIGH LIMIT SPST NC
3	56760	THERMAL SWITCH, MANUAL RESET	8	54802	PRESSURE SWITCH
4	36603	RELAY, DPST 25A 120V	9	22301	AXIAL FAN, 4", 120V
4	59383	RELAY, DPST 30A, 240V	9	M0570	AXIAL FAN, 4", 208-240V
5	39688	CIRCUIT BREAKER, 20A			

HOODINI ELECTRICAL PANEL

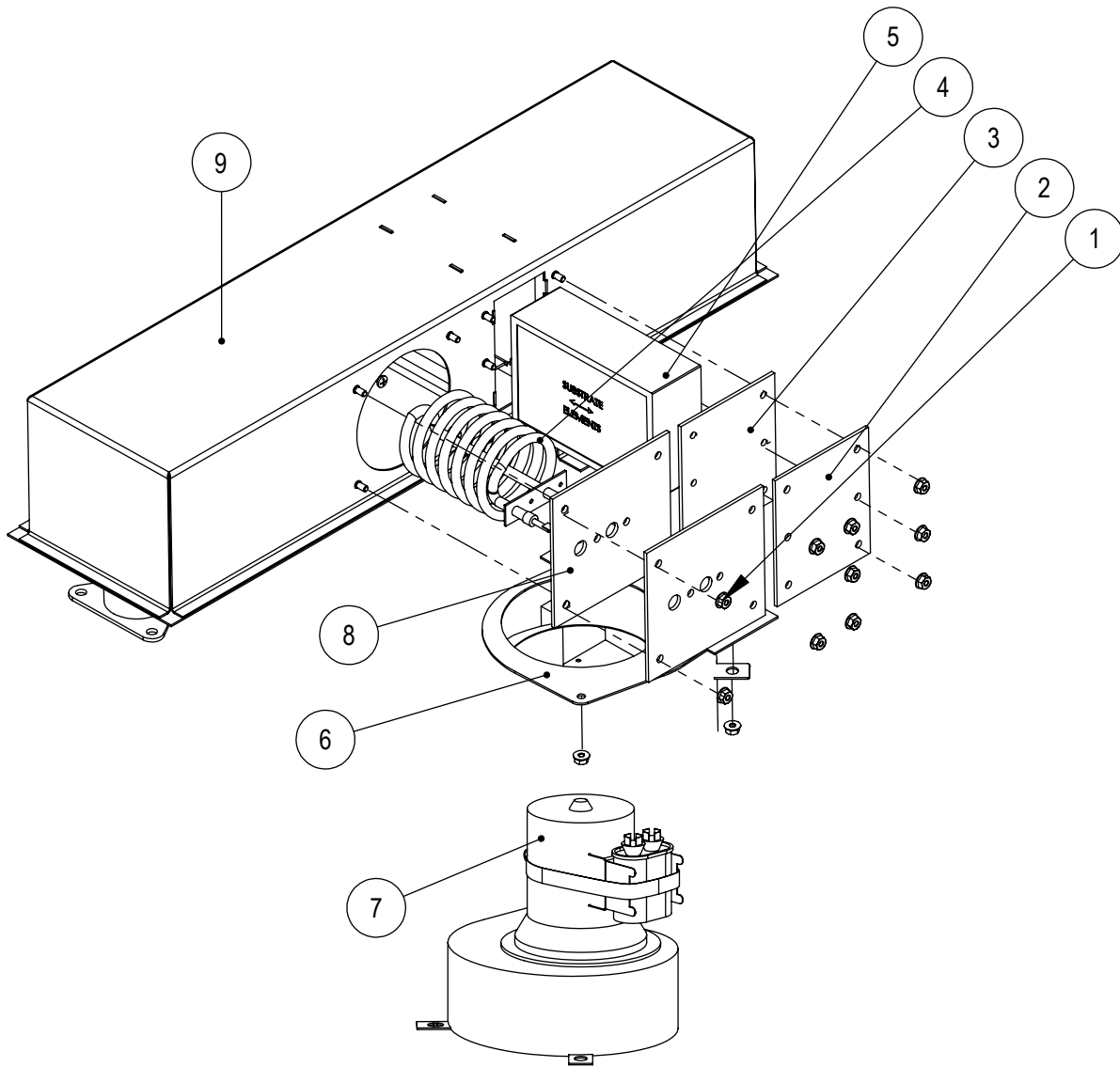
GEN 2 - OVENS MANUFACTURED AFTER MAY 2018



Ref. No.	Part No.	Description
2	58025	THERMOSTAT, HIGH LIMIT SPST NC
3	39688	CIRCUIT BREAKER, 20A
4	36603	RELAY, DPST, 25A 120V
4	59383	RELAY, DPST, 30A, 240V
5	37058	RELAY, DPST, 25A 24V
6	56760	THERMAL SWITCH, MANUAL RESET
7	62730	BRACKET, THERMAL SWITCH
8	20785	SCREW, TAP, 8-32 x 3/8, PH PAN HEAD
9	1296	WASHER, LOCK
10	36755	SWITCH, THERMAL SPDT
11	54802	PRESSURE SWITCH

Ref. No.	Part No.	Description
12	R1273	GROMMET, 1" ID
13	52378	NUT, 8-32, FLANGED
15	R0024	SCREW, M4 X 0.7 X .5
16	50106	PUSH WING MOUNT
17	18266	INDICATOR LIGHT, BLUE, 120V
17	18267	INDICATOR LIGHT, ROUND, BLUE, 250V
18	M9705	TUBING, SILICONE (BY THE INCH)
19	59369	THERMOSTAT, CAPILARY
20	M2212	AXIAL FAN, 4", 230V
20	22301	AXIAL FAN, 4", 120V

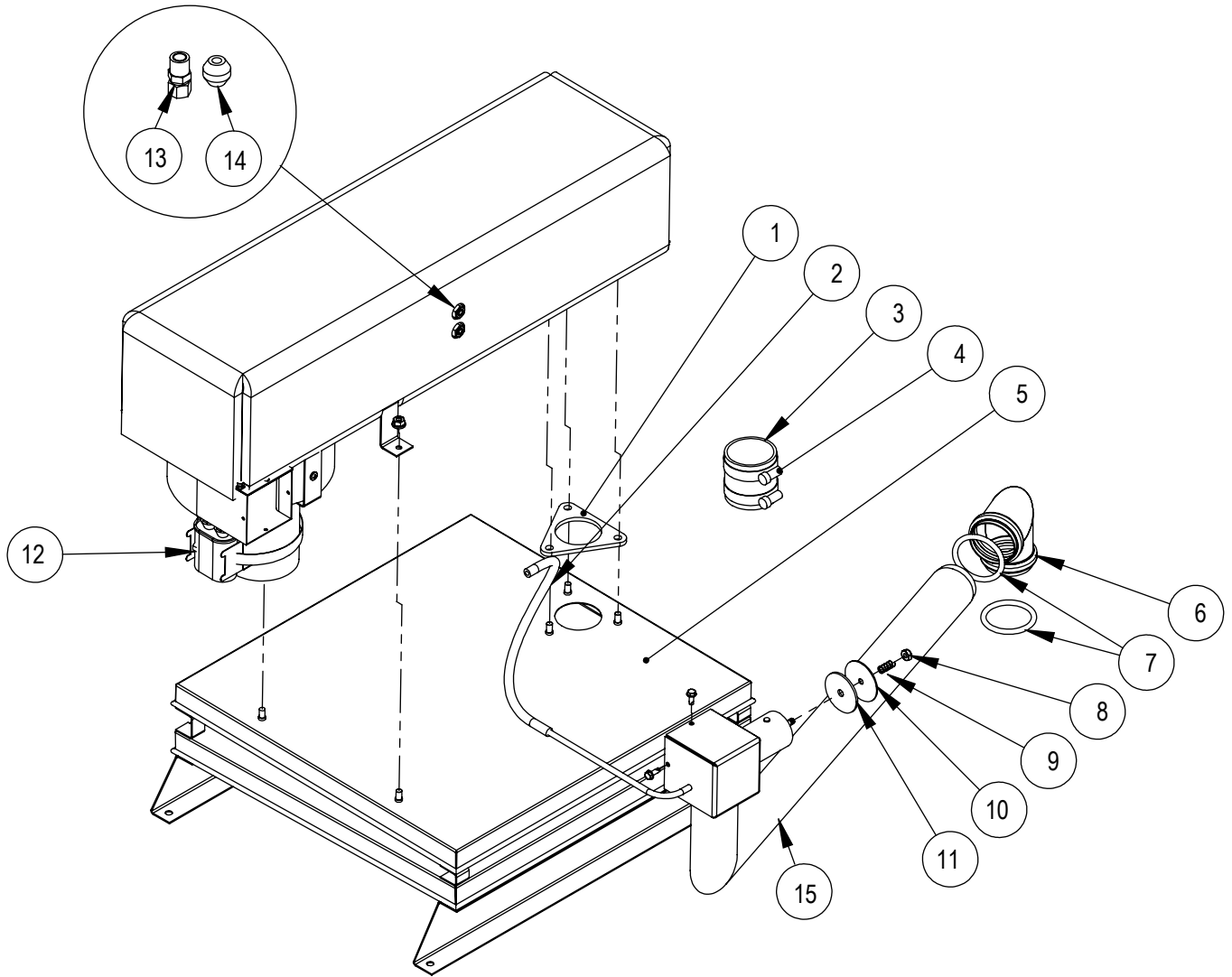
HOODINI CATALYTIC DUCT ASSEMBLY



<u>Ref. No.</u>	<u>Part No.</u>	<u>Description</u>	<u>Ref. No.</u>	<u>Part No.</u>	<u>Description</u>
1	M3950	#10-24 HEX FLANGED NUT		101560	BLOWER ASSY, 208-240V
2	62230	CATALYTIC COVER PLATE	8	58599	ELEMENT GASKET
3	62231	GASKET, CATALYST	9	61631	CATALYTIC DUCT ASSEMBLY
4	62341	KIT, HEATER, HELICAL, 1400W, 120V W/ ¼" QC TERMINATION		61736	INSULATION, CATALYTIC DUCT ASSEMBLY
4	63230	KIT, HEATER HELICAL 1400W, 208-240V			
5	62233	CATALYTIC CONVERTER, BLC6E W/ GASKET			
6	54835	GASKET, DRAFT INDUCER BLOWER			
7	101559	BLOWER ASSY, 120V			

HOODINI CATALYTIC CONDENSER ASSEMBLY

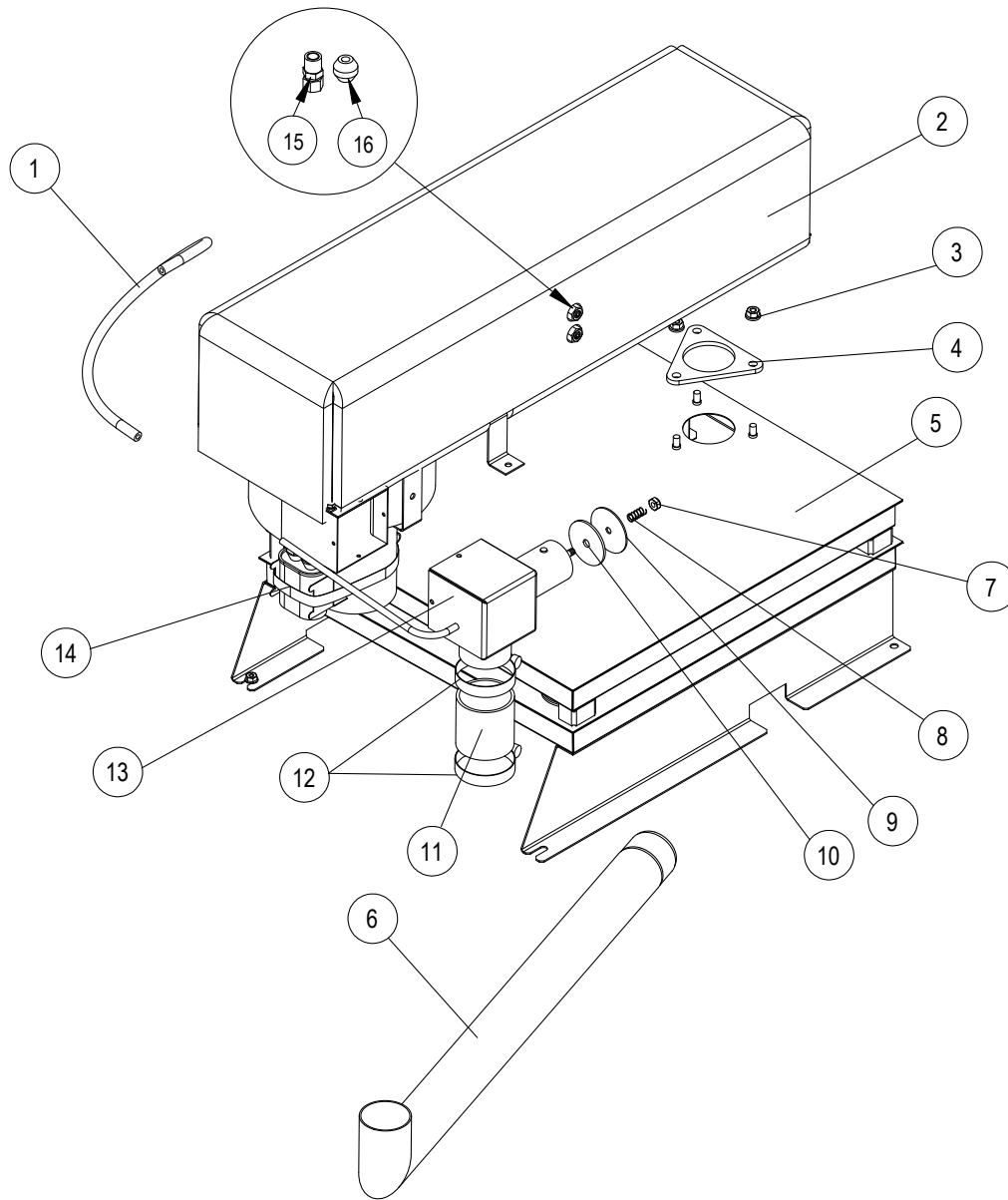
GEN 1 - OVENS MANUFACTURED PRIOR TO MAY 2018



Ref. No.	Part No.	Description	Ref. No.	Part No.	Description
1	R10252	GASKET, OUTLET PLATE	9	R7575	SPRING, 5/16" X 1"
2	M9705	TUBING, SILICONE	10	R7570	DIAPHRAGM, PRESSURE RELIEF
3	52648	TUBING, 2.00" I.D. SILICONE	11	R2657	GASKET, STEAM OUTLET
4	R2207	CLAMP, HOSE STN. STL., 7/8" TO 2-3/4"	12	38610	CAPACITOR, ELECTROLYTIC, 5MFD
5	61955	CONDENSER ASSEMBLY	13	38844	BRASS FITTING
6	61352	ELBOW	14	38846	SLEEVE
7	60103	O-RING	15	61635	TUBE, CATALYTIC RETURN
8	R7732	NUT, 1/4-20 THIN W/NYLON INSERT			

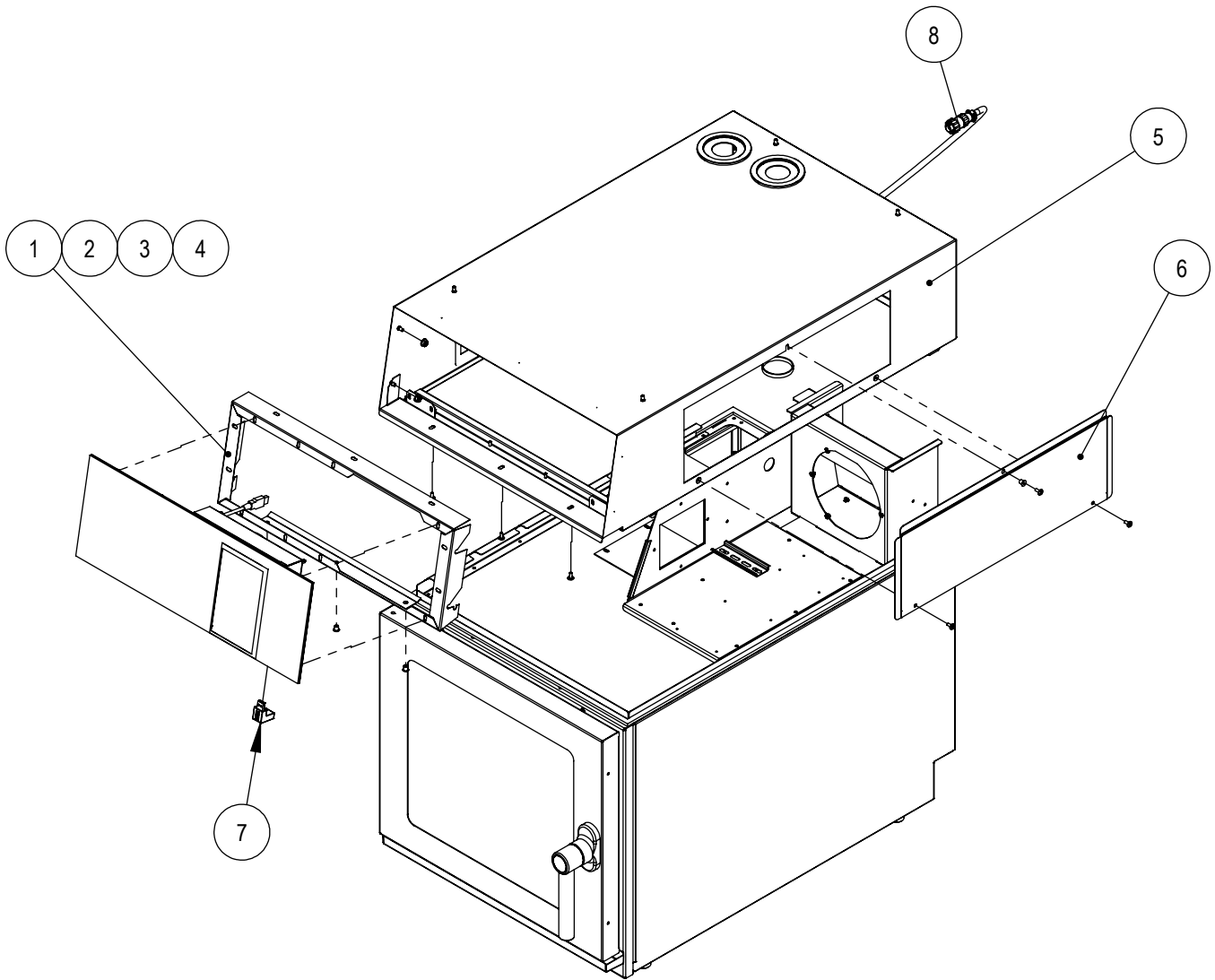
HOODINI CATALYTIC CONDENSER ASSEMBLY

GEN 2 - OVENS MANUFACTURED AFTER MAY 2018



Ref. No.	Part No.	Description	Ref. No.	Part No.	Description
1	M9705	TUBING, SILICONE	9	R7570	DIAPHRAGM, PRESSURE RELIEF
2	62731	ASSY, CAT & RETURN BOX	10	R2657	GASKET, STEAM OUTLET
3	R8216	NUT, 1/4-20 SERRATED FLANGE HEX	11	52648	TUBING, 2.00" I.D. SILICONE
4	R10252	GASKET, OUTLET PLATE	12	R2207	CLAMP, HOSE STN. STL., 7/8" TO 2-3/4"
5	62732	ASSY, CONDENSER WITH STUDS	13	62631	BLOWER RETURN DUCT, UNIVERSAL
6	62630	TUBE, CATALYTIC RETURN	14	38610	CAPACITOR, ELECTROLYTIC, 5MFD
7	R7732	NUT, 1/4-20 THIN W/NYLON INSERT	15	38844	BRASS FITTING
8	R7575	SPRING, 5/16" X 1"	16	38846	SLEEVE

HOODINI CONTROL PANEL ASSEMBLY



Ref. No.	Part No.	Description
1	61791	BRACKET, CONTROL PANEL, LEFT (BEFORE 5-15-16)
2	61790	BRACKET, CONTROL PANEL, TOP (BEFORE 5-15-16)
3	61788	BRACKET, CONTROL PANEL, RIGHT (BEFORE 5-15-16)
4	61789	BRACKET, CONTROL PANEL, BOTTOM (BEFORE 5-15-16)

Ref. No.	Part No.	Description
5	61786	ASSEMBLY, TOP (BEFORE 5-15-16)
5	62387	ASSEMBLY, TOP (AFTER 5-15-16)
6	61787	ACCESS DOOR (BEFORE 5-15-16)
6	61967	ACCESS DOOR (AFTER 5-15-16)
7	61808	USB, RIGHT ANGLE (BEFORE 5-15-16)
8	61740	CABLE ASSY