



HV-100G & HV-100G-AB HYDROVECTION OVENS REPLACEMENT PARTS LIST

HV-100G

SERIAL LETTER CODE "KJ" (*manufactured on or before 1/25/2017*)

See pages 4 - 15

HV-100G-AB

SERIAL LETTER CODE "KI" (*manufactured after 1/25/2017*)

See pages 16 - 27

EFFECTIVE APRIL 1, 2025

Superseding All Previous Parts Lists.

The Company reserves the right to make substitution in the event that items specified are not available.

ERRORS: Descriptive and/or typographic errors are subject to correction.

BLODGETT OVEN COMPANY

42 Allen Martin Drive, Essex Junction, Vermont 05452 USA Telephone: (802) 658-6600 Fax: (802) 860-3732
www.blodgett.com

P/N 54812 Rev AZ

SERIAL NUMBER LOCATION / KEY:

IMPORTANT: When ordering parts, please provide the model, gas type and serial number of the oven. The identification plate is located on the back of the oven.

SERIAL NUMBER IDENTIFICATION CODE:

KJ = HV-100G HYDROVECTION OVEN

KI = HV-100G-AB HYDROVECTION OVEN

SERIAL NUMBER EXAMPLES

080111KJ001

08/01/11 = DATE

KJ = LETTER CODE FOR HV-100G

001 = FACTORY SEQUENCE

TO OBTAIN LITERATURE:

Email: literature@blodgett.com

or visit

www.blodgett.com

TABLE OF CONTENTS

HV-100G OVENS - SERIAL LETTER CODE "KJ"

MANUAL CONTROLS	5
MENUSELECT CONTROLS	6
SMART TOUCH CONTROL	7
DOORS	8
INTERIOR COMPONENTS.....	10
VENT COMPONENTS.....	11
MOTOR.....	12
EXTERIOR COMPONENTS	13
ELECTRICAL & GAS COMPONENTS	14
ELECTRICAL & GAS COMPONENTS	15

HV-100G-AB OVENS - SERIAL LETTER CODE "KI"

SMARTTOUCH CONTROL.....	17
SMARTTOUCH 2 CONTROL.....	18
ONE TOUCH CONTROLS	19
MANUAL CONTROL.....	20
PROGRAMMABLE MANUAL CONTROL.....	21
DOORS	22
INTERIOR COMPONENTS.....	23
REAR COMPONENTS	24
MOTOR ASSEMBLY	25
ELECTRICAL COMPONENTS	26
EXTERIOR COMPONENTS	27
BURNER ASSEMBLY	28

HV-100G & HV-100G-AB OVENS

ACCESSORIES	30
-------------------	----

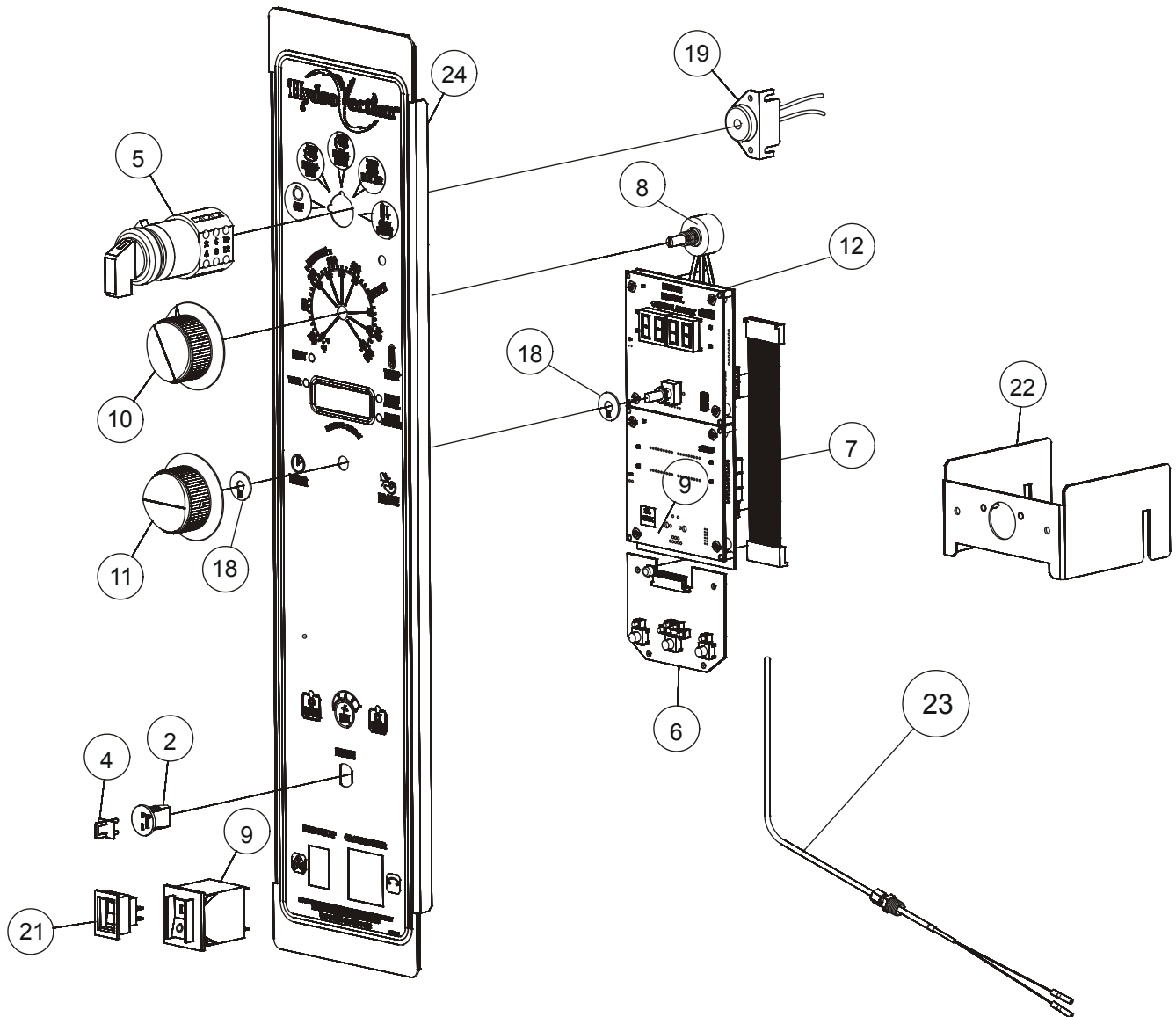
HV-100G OVENS

SERIAL LETTER CODE "KJ"

(All Full Size Hydrovection ovens manufactured on or before 1/25/2017)

MANUAL CONTROLS

FOR HV-100G OVENS (MANUFACTURED ON OR BEFORE 1/25/2017)

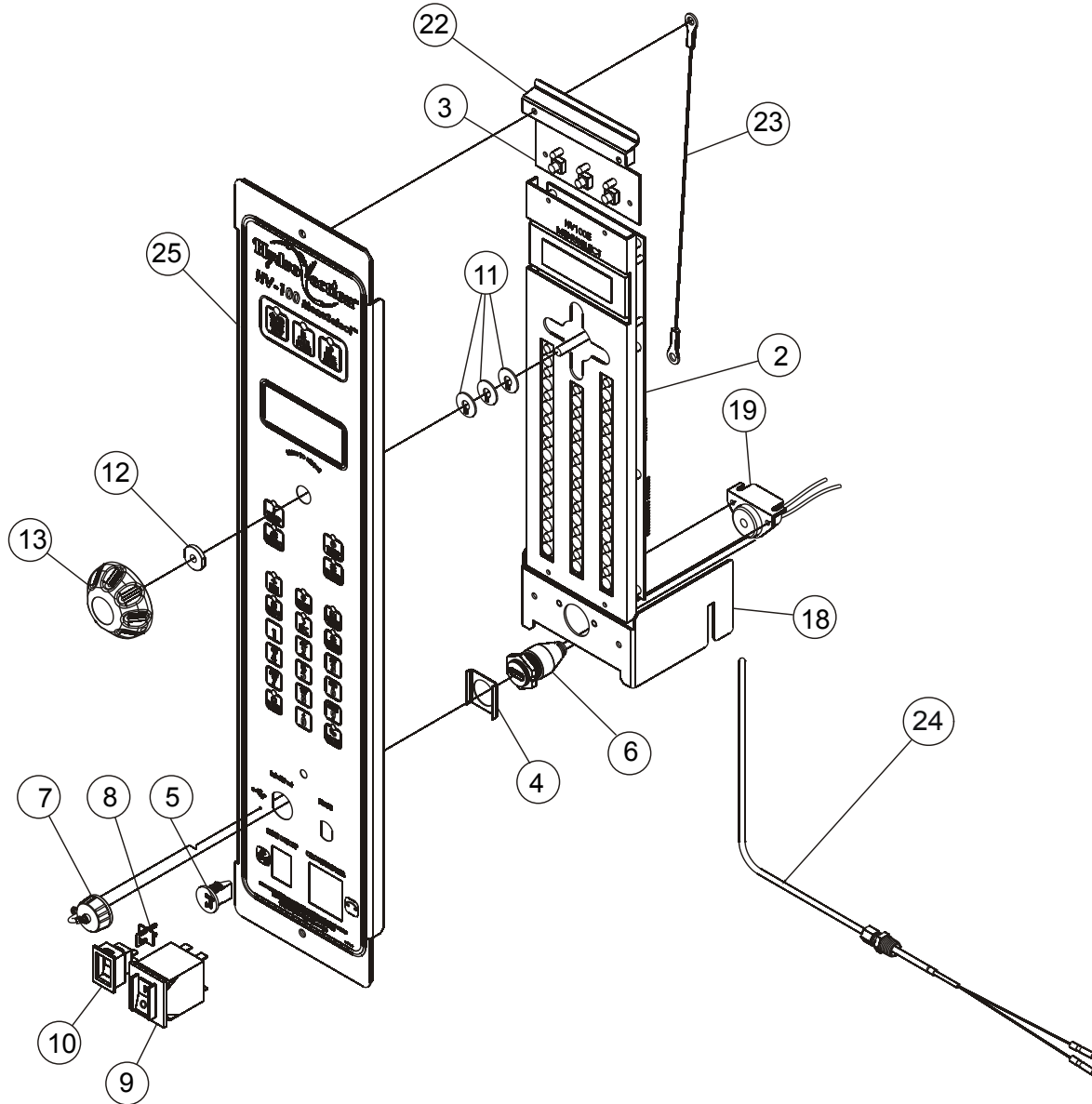


For HV-100G Ovens (Serial Letter Code KJ)

Ref. No.	Part No.	Description	Ref. No.	Part No.	Description
2	39781	MEAT PROBE JACK	18	54340	SPACER, ENCODER SUPPORT (SET OF 2)
4	39782	MEAT PROBE JACK PLUG	19	53759	BUZZER, REMOTE
5	52466	ROTARY SWITCH, 5-POSITION	21	36376	SWITCH, GAS, ON/OFF
6	53157	BOARD, 3 BUTTON HYDRO MANUAL	22	54942	BRACKET, HANGING CONTROL
7	53344	HARNESS, MANUAL CONTROL CONNECTOR	23	53007	CAVITY PROBE
8	18234	POTENTIOMETER		54075	COMMUNICATION CABLE
9	39688	CIRCUIT BREAKER, 20A		52806	DEFLECTOR, CONTROL PANEL DRIP
10	36616	KNOB, W/ARROW		20043	CABLE, STRAIN RELIEF
11	36617	KNOB, W/O ARROW	24	58541	PANEL & DECAL
12	54932	PROGRAMMED, HV100 MANUAL, G.M.			

MENUSELECT CONTROLS

FOR HV-100G OVENS (MANUFACTURED ON OR BEFORE 1/25/2017)

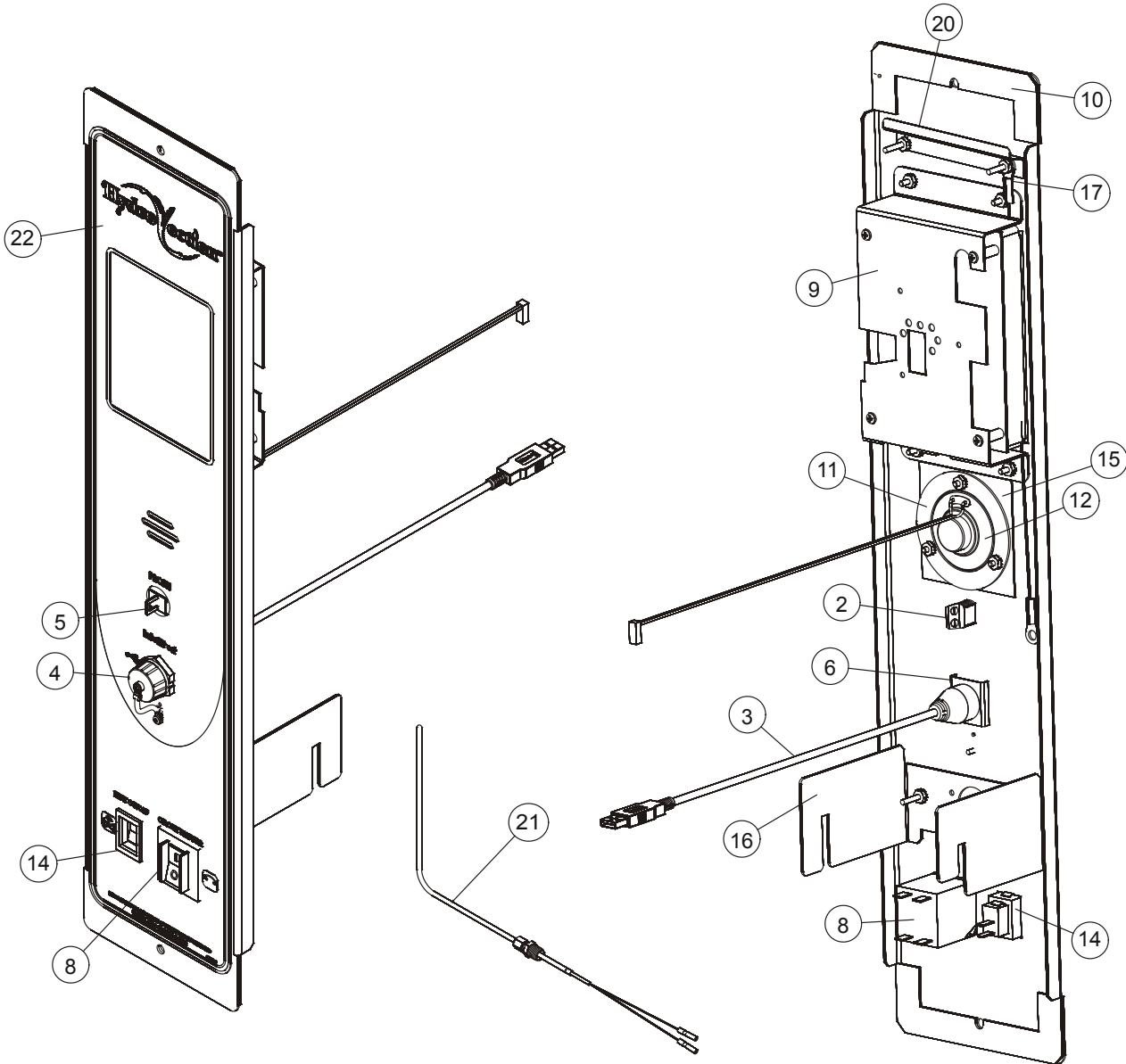


For HV-100G Ovens (Serial Letter Code KJ)

Ref. No.	Part No.	Description	Ref. No.	Part No.	Description
2	54937	PROGRAMMED CONTROL, HV100 MENUSELECT	12	54341	SLEEVE, ENCODER SUPPORT
3	39122	BOARD, 3 BUTTON PCB	13	51372	KNOB
4	52600	SPACER, USB PORT	18	54631	BRACKET, HANGING CONTROL
5	39781	MEAT PROBE JACK	19	53759	BUZZER, REMOTE
6	52647	USB CABLE, 1 METER		52806	DEFLECTOR, CONTROL PANEL DRIP
7	52161	COVER, USB	23	20043	CABLE, STRAIN RELIEF
8	39782	MEAT PROBE JACK PLUG	24	53007	CAVITY PROBE
9	39688	CIRCUIT BREAKER, 20A		54073	COMMUNICATIONS CABLE
10	36376	SWITCH, GAS, ON/OFF		52926	FLASHDRIVE, USB
11	54340	SPACER, ENCODER SUPPORT	25	58542	PANEL & DECAL

SMART TOUCH CONTROL

FOR HV-100G OVENS (MANUFACTURED ON OR BEFORE 1/25/2017)



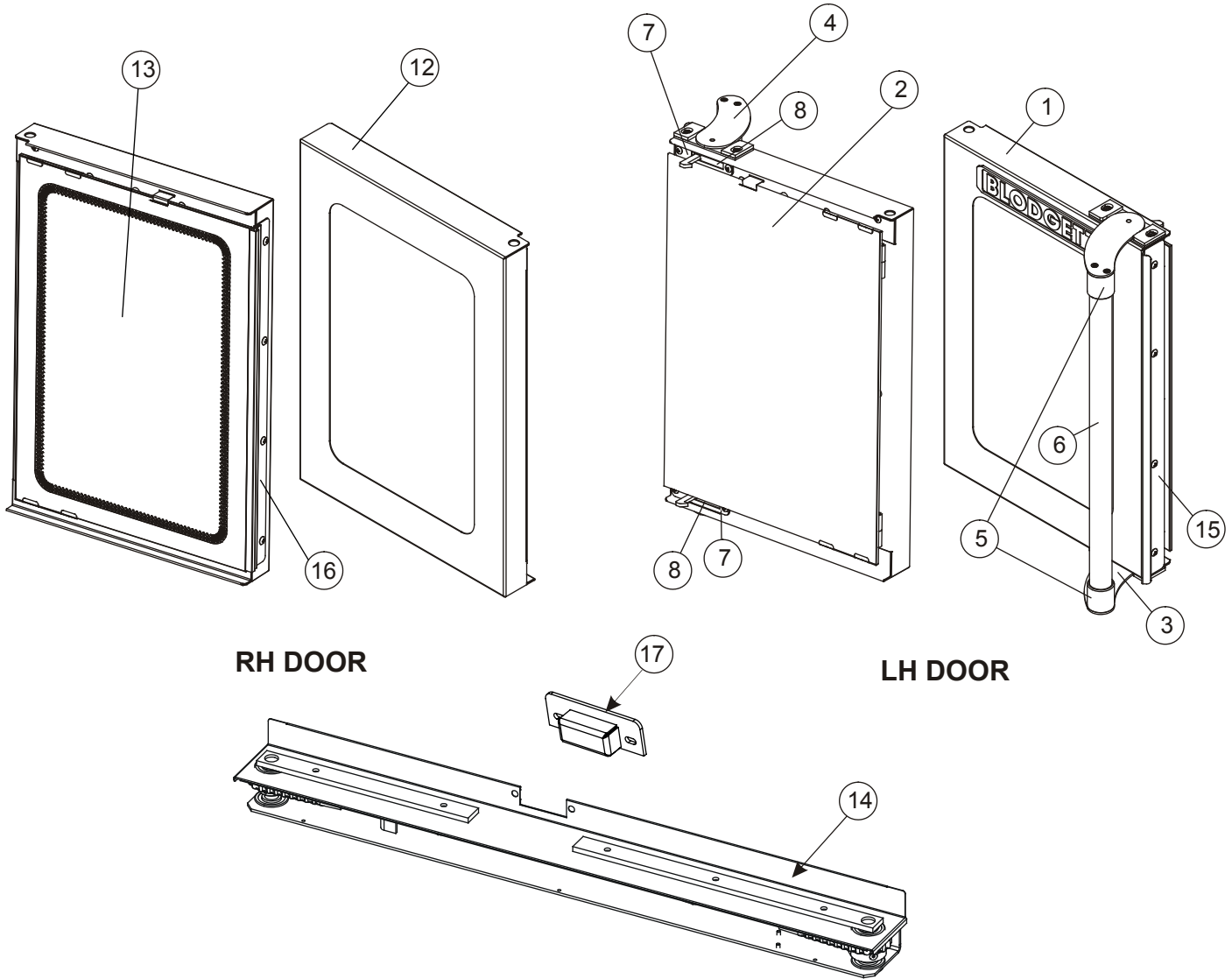
For HV-100G Ovens (Serial Letter Code KJ)

Ref. No.	Part No.	Description	Ref. No.	Part No.	Description
2	39781	MEAT PROBE JACK	11	59616	SPEAKER RETAINER
3	52160	USB CABLE	12	59777	SPEAKER KIT, W/RETAINER
4	52161	COVER, USB	14	36376	SWITCH, GAS, ON/OFF
5	39782	MEAT PROBE JACK PLUG	15	54440	SPEAKER COVER
6	52600	SPACER, USB PORT	16	54631	BRACKET, HANGING CONTROL
8	39688	CIRCUIT BREAKER, 20A	17	20043	CABLE, STRAIN RELIEF
9	101914	SMART TOUCH 2 CONTROL PANEL UPGRADE, GENERAL MARKET	20	52806	DEFLECTOR, CONTROL PANEL DRIP
9	101848	SMART TOUCH 2 CONTROL PANEL UPGRADE, DUNKIN DONUTS	21	53007	CAVITY PROBE
10	R4872	GASKET, CONTROL PANEL, BY THE INCH		54330	COMMUNICATIONS CABLE
			22	58038	PANEL & DECAL ASSY., SMART TOUCH

DOORS

STAINLESS STEEL

FOR HV-100G OVENS (MANUFACTURED ON OR BEFORE 1/25/2017)



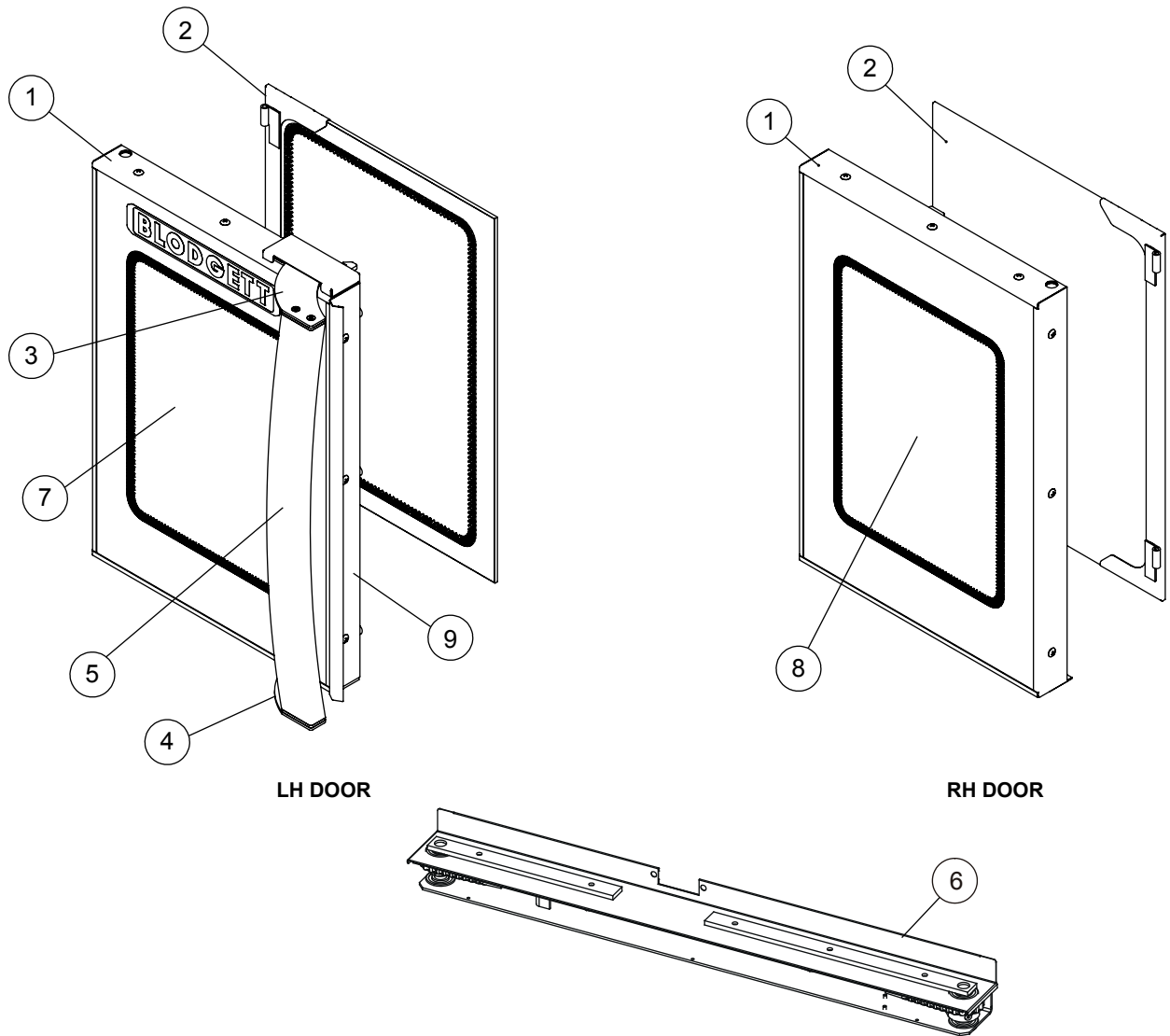
For HV-100G Ovens (Serial Letter Code KJ)

Ref. No.	Part No.	Description	Ref. No.	Part No.	Description
1	56762	ASSEMBLY, LH OUTER DOOR	13	51556	ASSEMBLY, RH INNER DOOR GLASS
2	51534	ASSEMBLY, LH INNER DOOR GLASS	14	57953	DOOR TURNBUCKLE ASSEMBLY
3	57016	ASSY, LATCH RH		52514	DOOR SWITCH ASSEMBLY
4	57015	ASSY, LATCH LH	15	51450	LH DOOR CENTER CHANNEL
5	50213	END CAP, HANDLE	16	51610	RH DOOR CENTER GASKET
6	51542	ASSEMBLY, DOOR HANDLE		51631	RUBBER BUMPER (PUSH IN STYLE)
7	51539	PLATE, LATCH COVER (QTY 2)		60185	BUMPER (SCREW IN STYLE)
8	51668	GASKET, DOOR LATCH (QTY 2)	17	51488	LATCH CATCH ASSEMBLY
12	56766	ASSEMBLY, RH OUTER DOOR			

DOORS

BLACK GLASS

FOR HV-100G OVENS (MANUFACTURED ON OR BEFORE 1/25/2017)



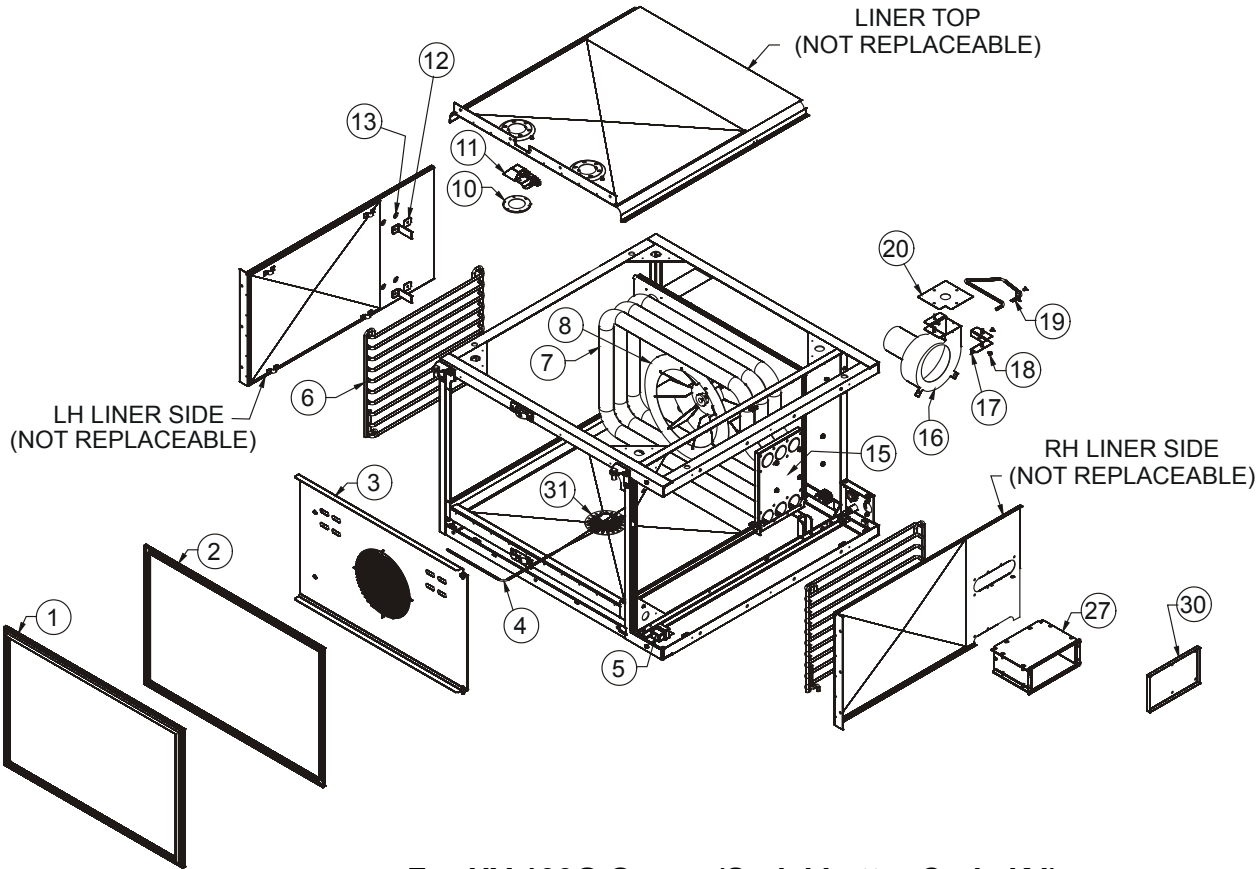
For HV-100G Ovens (Serial Letter Code KJ)

Ref. No.	Part No.	Description
1	55528	LH OUTER DOOR (COMPLETE AS SHOWN)
1	55542	RH OUT DOOR (COMPLETE AS SHOWN)
2	51534	LH INNER GLASS
	51556	RH INNER GLASS
3	58939	LATCH ASSY, RECT, TOP
4	58938	LATCH ASSY, RECT, BOTTOM
5	55608	DOOR HANDLE

Ref. No.	Part No.	Description
6	57953	DOOR TURNBUCKLE
	52514	DOOR SWITCH
7	55531	LH FRONT GLASS
8	55532	RH FRONT GLASS
9	55533	CENTER TRIM
	51610	CENTER DOOR GASKET
	60185	BUMPER (SCREW IN STYLE)
	51519	CLIP, DOOR GLASS

INTERIOR COMPONENTS

FOR HV-100G OVENS (MANUFACTURED ON OR BEFORE 1/25/2017)

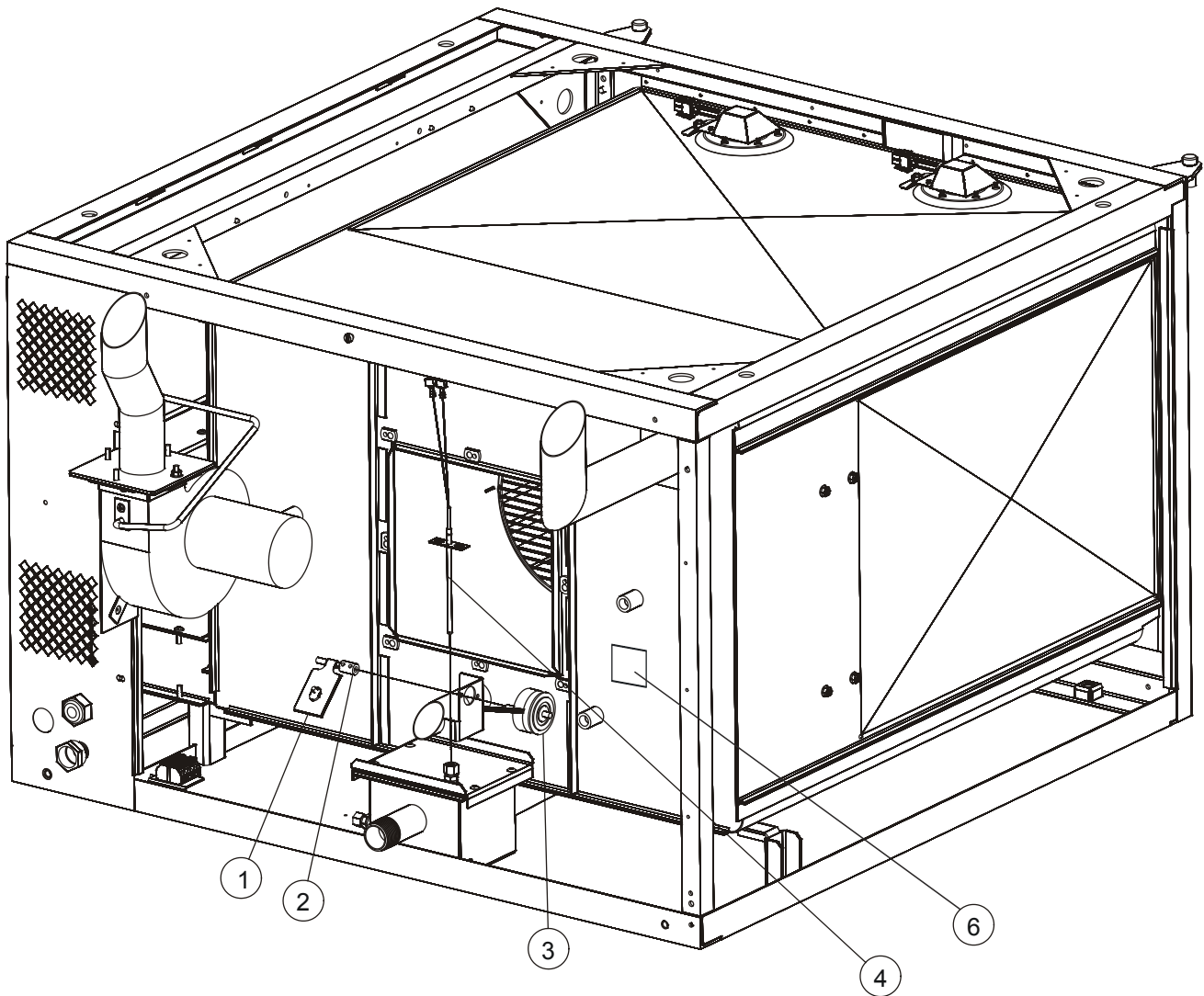


For HV-100G Ovens (Serial Letter Code KJ)

Ref. No.	Part No.	Description	Ref. No.	Part No.	Description
1	52716	PERIMETER GASKET		59712	BLOWER MOTOR & GASKETS, 240V
2	54770	ASSY, GASKET CHANNEL	17	54405	DRAFT INDUCER ADAPTER BEFORE 5-22-12
3	54860	BAFFLE - BEFORE 8-22-12	17	55776	DRAFT INDUCER ADAPTER AFTER 5-22-12
3	55970	BAFFLE - AFTER 8-22-12 AND BEFORE 11/12/13	19	54447	TUBE, PRESSURE SWITCH BEFORE 5-22-12
	55877	BAFFLE AFTER 11/11/13	19	55772	TUBE, PRESSURE SWITCH AFTER 5-22-12
	58568	SCREWS FOR BAFFLE	20	54406	RESTRICTOR PLATE, HV100G-NATGAS BEFORE 5-22-12
4	53007	CAVITY TEMPERATURE PROBE AND FITTING KIT	20	55742	RESTRICTOR PLATE, HV100G-NATGAS AFTER 5-22-12
5	36441	HIGH LIMIT THERMOSTAT	27	54164	BURNER BOX ASSEMBLY (HV100G)
6	54856	SIDE RACK SUPPORT (SET OF 2)	30	54404	DRAFT INDUCER BOX COVER
	59046	WIRE RACK	32	50506	DRAIN STRAINER
7	54791	HEAT EXCHANGER ASSY, HV100G		53101	HALOGEN BULB, 12V 20W GY6 .35"
8	55303	BLOWER WHEEL AND KEY		58996	FRONT CAVITY VENT GASKET
10	53081	LIGHT GLASS ASSEMBLY, CIRCULAR		58568	1/4-20 X 1/2" S/S SERRATED FLANGE SCREW
11	53194	LAMP HOUSING ASSEMBLY		57617	THREADED COUPLING 1/4-20" X 1"
12	54151	BAFFLE, STOP BRACKET (HV100G), BEFORE 11/12/13			
13	R9648	WASHER, 1/4 X 5/8, BEFORE 11/12/13			
15	54634	GASKET, HEAT EXCHANGER			
16	55603	BLOWER MOTOR & GASKETS, 120 VOLT			

VENT COMPONENTS

FOR HV-100G OVENS (MANUFACTURED ON OR BEFORE 1/25/2017)

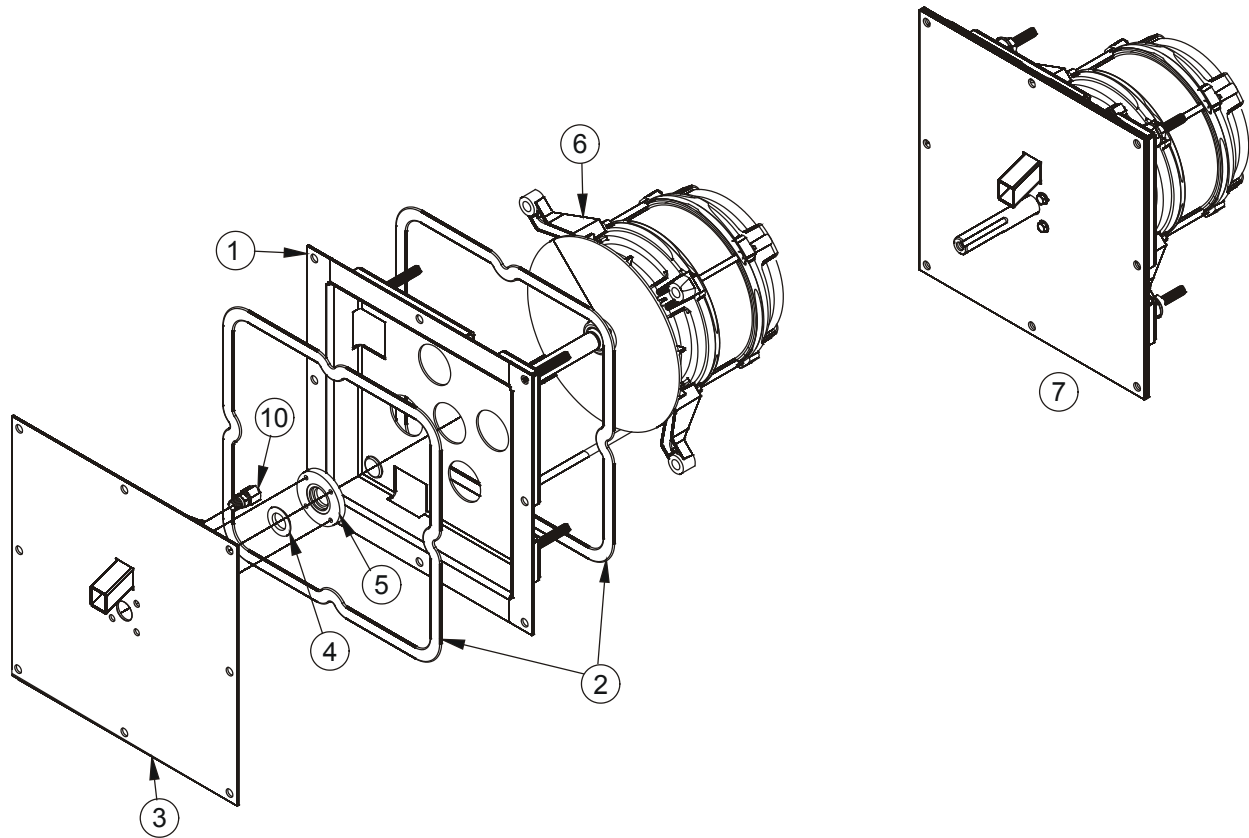


For HV-100G Ovens (Serial Letter Code KJ)

<u>Ref. No.</u>	<u>Part No.</u>	<u>Description</u>	<u>Ref. No.</u>	<u>Part No.</u>	<u>Description</u>
1	50204	VENT LID ASSEMBLY, BEFORE 9/19/2011	3	53008	CAVITY VENT SOLENOID
2	39329	SHAFT COUPLING, BEFORE 9/19/2011	4	36720	QUENCH PROBE
	55024	VENT LID W/COUPLING, AFTER 9/19/2011	6	58992	GASKET & COVER

MOTOR

FOR HV-100G OVENS (MANUFACTURED ON OR BEFORE 1/25/2017)

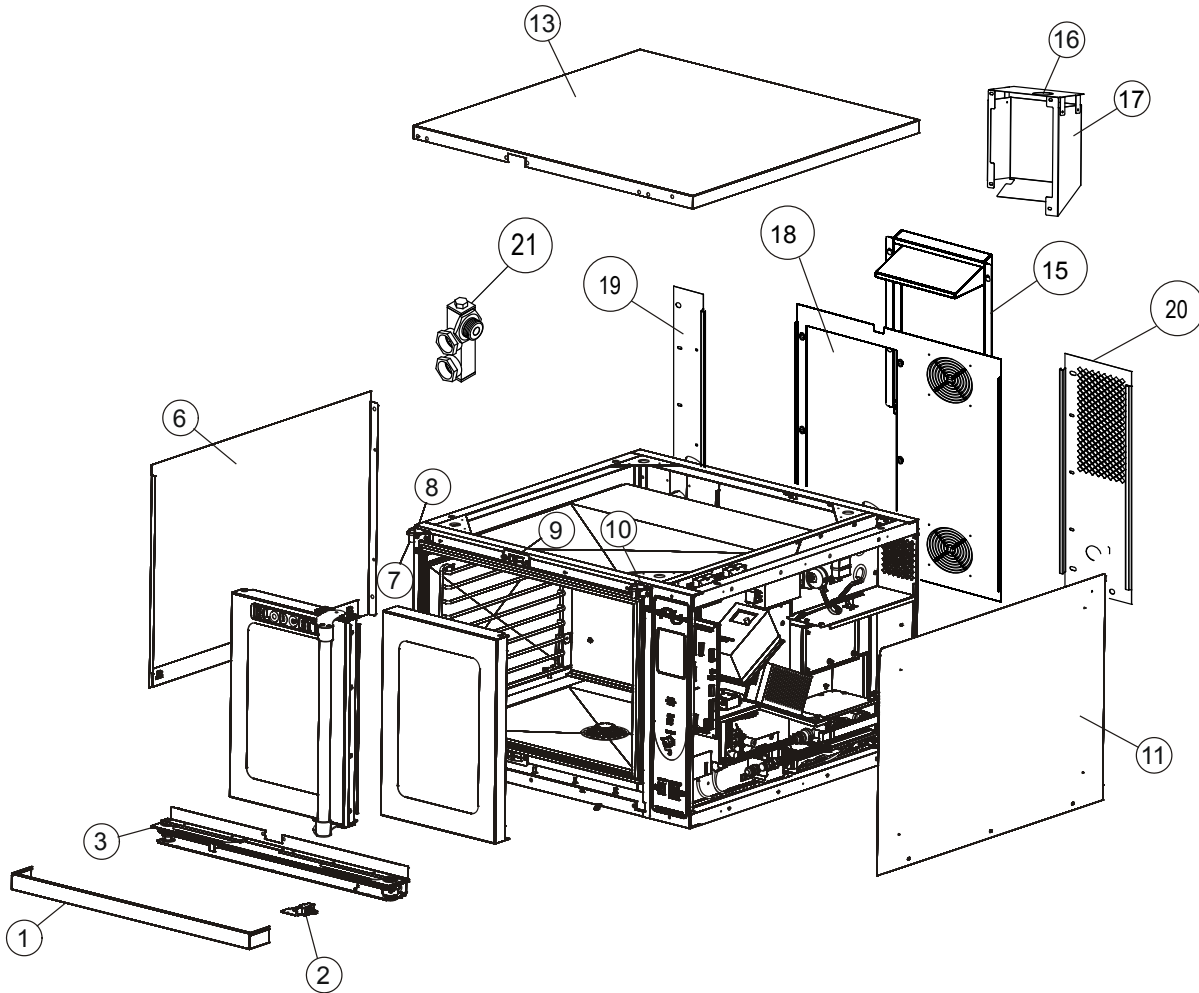


For HV-100G Ovens (Serial Letter Code KJ)

<u>Ref. No.</u>	<u>Part No.</u>	<u>Description</u>	<u>Ref. No.</u>	<u>Part No.</u>	<u>Description</u>
1	54294	MOTOR MOUNT ASSEMBLY	5	R8955	SEAL RETAINER
2	56956	MOTOR MOUNT GASKET	6	59909	MOTOR AND KEY, 120V
3	54296	ASSY, COVER PLATE, WATER INJECTION MANIFOLD		55301	MOTOR AND KEY, 208/240V
4	R4244	SHAFT SEAL	7	54293	COMPLETE MOTOR ASSY
			10	M0959	FITTING, COMPRESSION, STRAIGHT

EXTERIOR COMPONENTS

FOR HV-100G OVENS (MANUFACTURED ON OR BEFORE 1/25/2017)

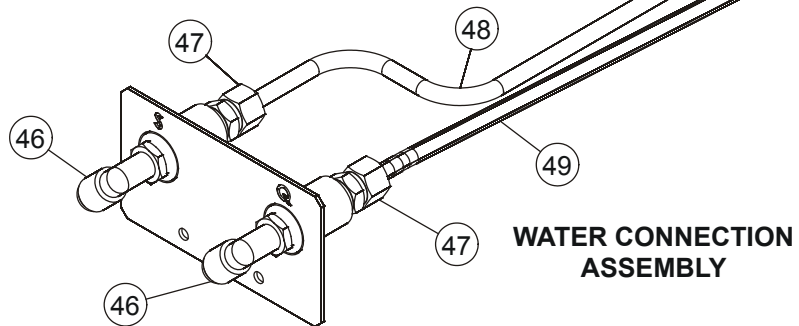
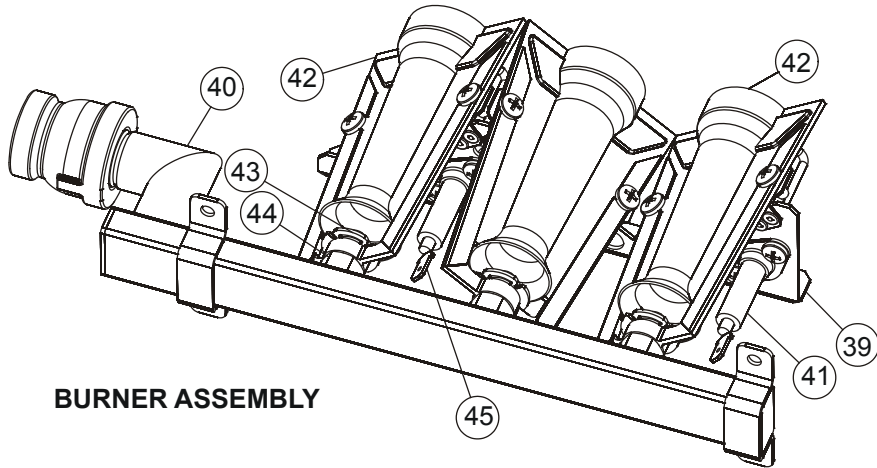
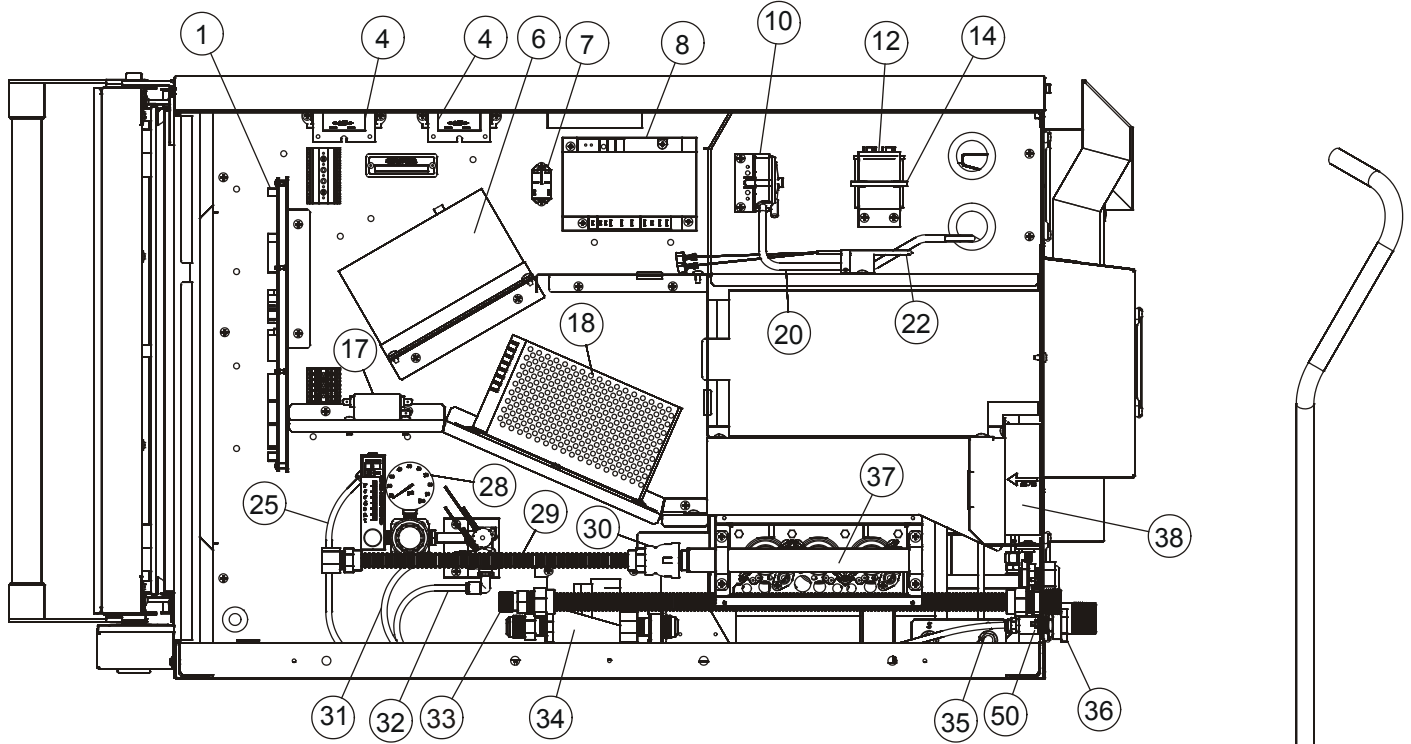


For HV-100G Ovens (Serial Letter Code KJ)

Ref. No.	Part No.	Description	Ref. No.	Part No.	Description
1	51698	FRONT TRIM	16	55735	DRAFT INDUCER BLOWER COVER - AFTER 5-22-12
2	52514	DOOR SWITCH ASSEMBLY	17	55068	DRAFT INDUCER COVER TOP - BEFORE 5-22-12
3	57953	TURNBUCKLE ASSEMBLY	17	55736	DRAFT INDUCER COVER TOP - AFTER 5-22-12
6	52479	LH BODYSIDE		M9616	AXIAL FAN, DRAFT INDUCER MOTOR - AFTER 5-22-12
7	51591	HINGE PIN (LEFT AND RIGHT)	18	54419	CENTER BODYBACK - BEFORE 5-4-2015
8	51081	LH HINGE		58333	CENTER BODYBACK - AFTER 5-4-2015
9	57889	DOOR CATCH (TOP AND BOTTOM)	19	54427	RH BODYBACK - BEFORE 5-4-2015
10	51082	RH HINGE		58331	RH BODYBACK - AFTER 5-4-2015
11	51105	RH BODYSIDE	20	54413	LH BODYBACK - BEFORE 5-4-2015
13	51253	BODYTOP		58334	LH BODYBACK - AFTER 5-4-2015
15	57103	BODYBACK, ACCESS PANEL - BEFORE 5-4-2015	21	54715	WATER MANIFOLD ASSEMBLY
	58597	BODYBACK, ACCESS PANEL - AFTER 5-4-2015			
16	55067	DRAFT INDUCER BLOWER COVER - BEFORE 5-22-12			

ELECTRICAL & GAS COMPONENTS

FOR HV-100G OVENS (MANUFACTURED ON OR BEFORE 1/25/2017)



ELECTRICAL & GAS COMPONENTS

FOR HV-100G OVENS (MANUFACTURED ON OR BEFORE 1/25/2017)

For HV-100G Ovens (Serial Letter Code KJ)

<u>Ref. No.</u>	<u>Part No.</u>	<u>Description</u>	<u>Ref. No.</u>	<u>Part No.</u>	<u>Description</u>
1	53206	INTERFACE BOARD, (TOUCH SCREEN), BEFORE 11/8/13	36	R9580	FITTING, 1/4 NPT TO TO GHT BRASS
	57727	INTERFACE BOARD, (TOUCH SCREEN), AFTER 11/8/13		50261	HOSE FILTER
	54380	INTERFACE BOARD (MENSELECT, MANUAL)	37	54453	BURNER ASSEMBLY, NATURAL GAS
4	38303	TRANSFORMER, 40VA 120-240P/24S		54645	BURNER ASSEMBLY PROPANE GAS
6	58475	PROG. INVERTER ASSEMBLY, 120V	38	54393	COOLING FAN ASSEMBLY
	58476	PROG. INVERTER ASSEMBLY, 120V, DUNKIN DONUTS	39	54454	BURNER SUPPORT
	54666	PROG. INVERTER, 208/240 VOLT	40	54173	BURNER MANIFOLD
	57681	PROG. INVERTER, 208/240V, DUNKIN DONUTS	41	38517	ELECTRODE, 90 DEG, SPARK
7	56738	RELAY, SPST 24 VDC (IQ2)	42	54638	INSHOT BURNER
8	54388	CONTROL, IGNITION, FENWAL HV100G	43	38964	RING, RETAINING 1/2" POODLE
	54503	IGNITION WIRE	44	54175	ORIFICE, .082" (NATURAL GAS)
10	M9422	SWITCH, PRESSURE ONLY DOM/CE		54640	ORIFICE, .063" (PROPANE)
12	38610	CAPACITOR, ELECTROLYTIC 5MFD	45	38517	FLAME SENSOR
14	11502	TIE, WIRE 3/16 X 14" MAX		57796	KIT, LP TO NATURAL CONVERSION
17	53902	FILTER, EMI		100063	KIT, NATURAL TO LP CONVERSION
18	52946	POWER SUPPLY, 24VDC	46	51617	ELBOW, 1/4" PTC X 1/4" NPT SWI
	M3166	POWER SUPPLY FUSE	47	38844	FITTING, 1/4 NPT X 1/4 COMP
20	M9705	TUBING, POLYURETHANE (BY THE INCH, 36" TOTAL PRESSURE)	48	52955	TUBE, FLEX 1/4" OD X 30"
21	33088	CLIP, BULB THERMISTER	49	52956	TUBE, FLEX 1/4" OD X 12"
22	51516	PROBE, 3/16" DIA. RTD			
25	52353	RED TUBING, 1/4" OD POLYURETHANE (BY THE INCH)			
28	58533	ASSY, WATER DISTRIBUTION			
	58350	FLOW VALVE - AFTER 5-15-2015			
29	33249	HOSE, FLEX 1/2" GAS			
30	16118	COUPLING, REDUCER			
31	52352	GREEN TUBING, 1/4" OD POLYURETHANE (BY THE INCH)			
32	52351	BLUE TUBING, 1/4" OD POLYURETHANE (BY THE INCH)			
33	36229	GAS ADAPTER ASSEMBLY DFG100			
34	38742	GAS VALVE ASY, DIRECT SPARK NATURAL GAS			
	38743	GAS VALVE ASY, DIRECT SPARK PROPANE			
35	54637	WATER CONNECTION ASSEMBLY			

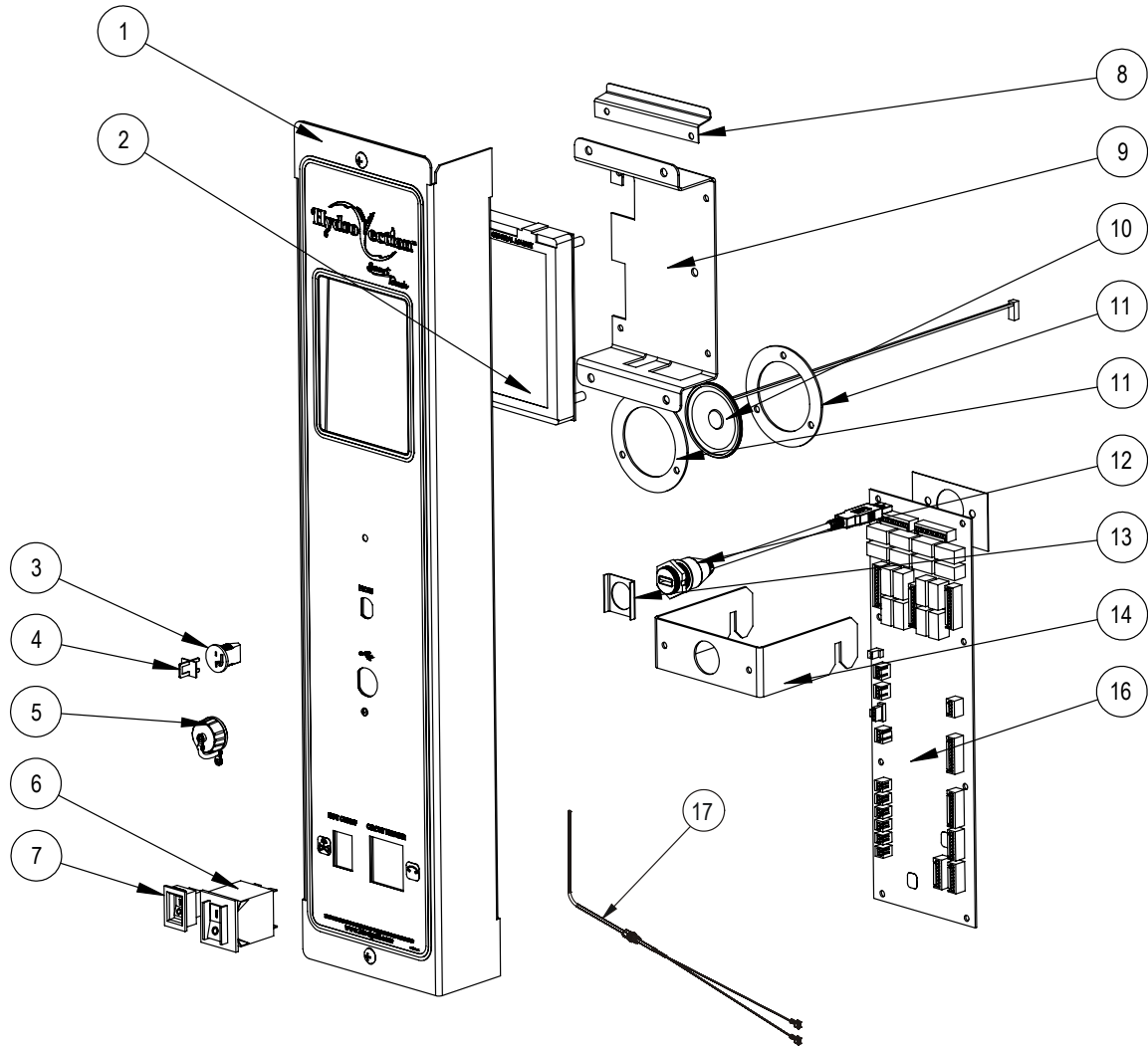
HV-100G-AB OVENS

SERIAL LETTER CODE "KI"

(All Full Size Hydrovection ovens manufactured after 1/25/2017)

SMARTTOUCH CONTROL

FOR HV-100G-AB OVENS (MANUFACTURED AFTER 1/25/2017 AND BEFORE 8/1/2017 FOR GENERAL MARKET OR AFTER 1/25/2017 AND BEFORE 9/1/2018 FOR DUNKIN DONUTS)

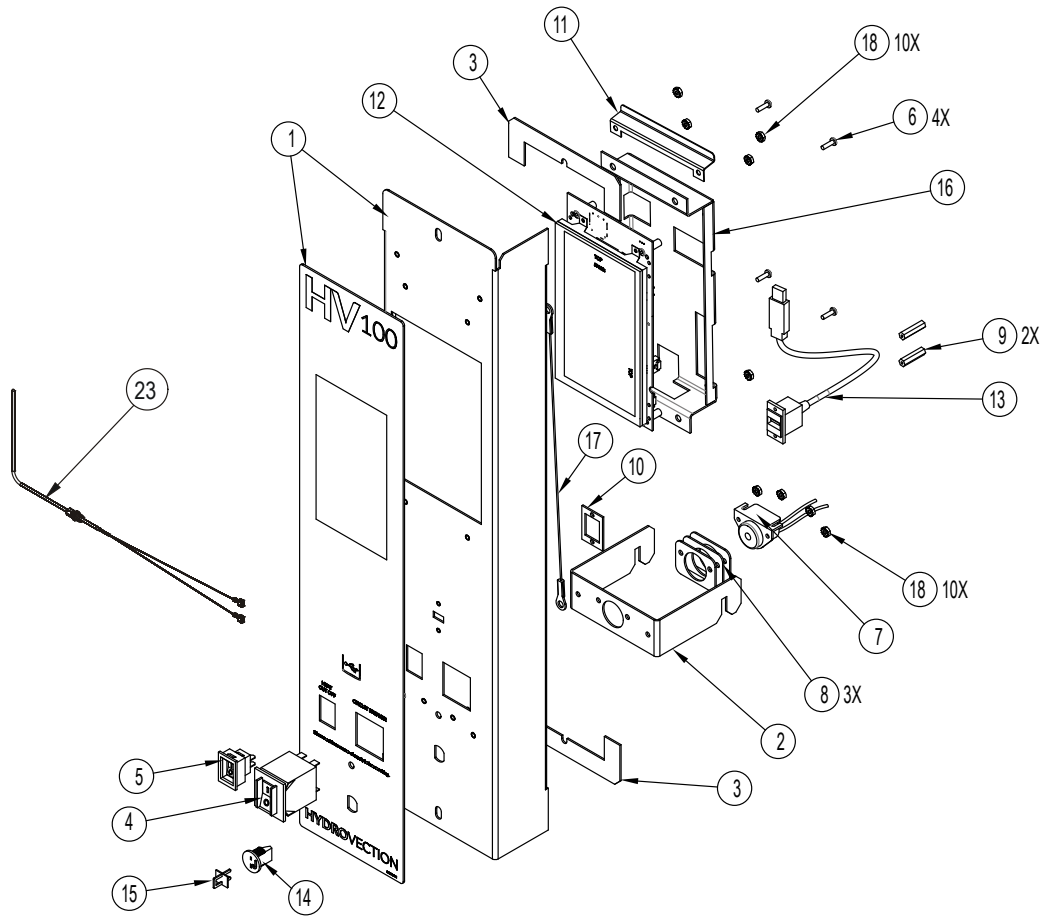


For HV-100G-AB Ovens (Serial Letter Code KI)

<u>Ref. No.</u>	<u>Part No.</u>	<u>Description</u>	<u>Ref. No.</u>	<u>Part No.</u>	<u>Description</u>
1	59205	PANEL & DECAL	12	52160	USB CABLE
2	59713	UPGRADE KIT, SMARTTOUCH TO SMARTTOUCH 2 DUNKIN'	13	52600	SPACER, USB PORT
3	39781	MEAT PROBE JACK	14	58918	BRACKET, HANGING, HV100
4	39782	MEAT PROBE JACK PLUG	15	54330	COMMUNICATION CABLE, HV100 TS
5	52161	COVER, USB	16	57727	RELAY BOARD, TOUCH SCREEN
6	39688	CIRCUIT BREAKER, 20A	17	53007	CAVITY PROBE
7	36376	SWITCH, GAS, ON/OFF			
8	52806	DEFLECTOR			
9	53986	TOUCH SCREEN FRAME			
10	59777	SPEAKER KIT, W/RETAINERS			
11	59616	SPEAKER RETAINER			

SMARTTOUCH 2 CONTROL

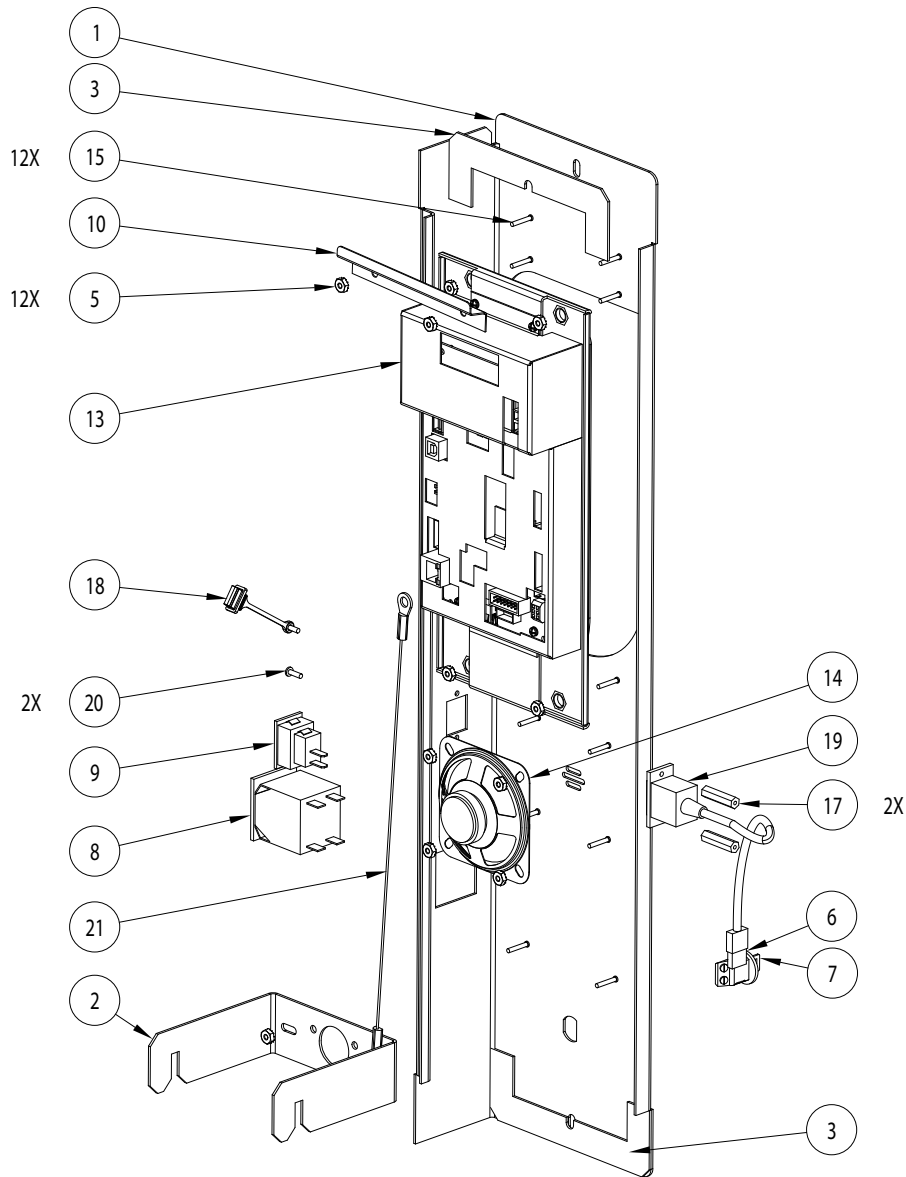
FOR HV-100G-AB OVENS (MANUFACTURED AFTER 8/1/2017
OR AFTER 9/1/2018 FOR DUNKIN DONUTS)



For HV-100G-AB Ovens (Serial Letter Code KI)

Ref. No.	Part No.	Description	Ref. No.	Part No.	Description
1	59855	PANEL & DECAL ASSY	14	39781	MEAT PROBE JACK
2	58918	HANGING BRACKET	15	39782	MEAT PROBE JACK PLUG
3	R4872	GASKET, TILT PANEL, BY THE INCH	16	59348	TOUCH SCREEN BRACKET
4	39688	CIRCUIT BREAKER, 20A	17	20043	12" STRAIN RELIEF
5	36376	GAS ON/OFF SWITCH	18	M3367	NUT, 6-32 KEPS
6	34478	SCREW, 6-32 X 0.5 SELF TAPPING	19	59032	HARNES, HV FRONT LINE (NOT SHOWN)
7	53759	BUZZER	20	54330	COM CABLE, 20", TOUCHSCREEN (NOT SHOWN)
8	53921	BUZZER SPACER	21	59542	HARNES, BEEPER, ADDER (NOT SHOWN)
9	59434	STANDOFF #4-40 X1"	22	59029	HARNES, HV FRONT TS DIGI (NOT SHOWN)
10	59280	USB SPACER	23	53007	CAVITY PROBE
11	59349	DEFLECTOR BRACKET		101534	UPGRADE KIT, SMARTTOUCH 2 CONTROL TO ONE TOUCH CONTROL
12	59360	CONTROL, TS, HV100		59713	COMPLETE CONTROL ASSY, SMARTTOUCH2, DUNKIN
12	59812	CONTROL, TS, HV100 K12			
12	59720	CONTROL, TS LBBQ			
12	59719	CONTROL, TS LSH			
	59718	CONTROL, TS DD			
13	59565	USB CABLE			

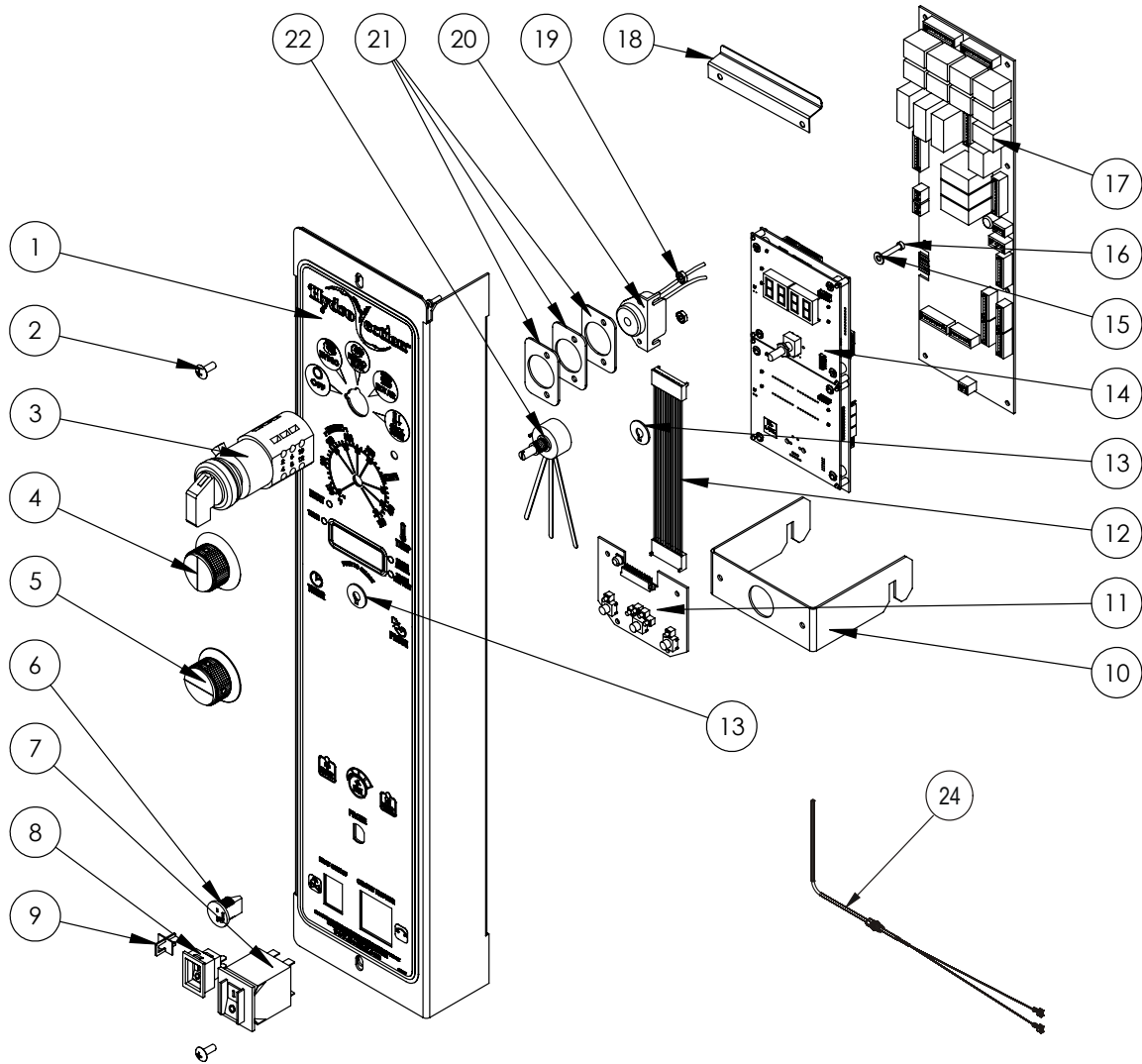
ONE TOUCH CONTROLS



<u>Ref. No.</u>	<u>Part No.</u>	<u>Description</u>	<u>Ref. No.</u>	<u>Part No.</u>	<u>Description</u>
1	100855	CONTROL PANEL, HV 100 HLUI	13	100853	GM PRGM CTRL, HLUI, HV100G
2	58918	BRACKET, HANGING, HV 100	13	101695	K12 PGRM CTRL, HLUI, HV100G
3	R4872	GASKET, TILT PANEL	14	101480	SPEAKER, HLUI, CUI
4	59032	HARNESS, HV FRONT LINE	15	R1548	WELD STUD, #6-32 X 5/8"
5	M3367	NUT, 6-32 KEPS	16	R9508	LABEL, POWER DISCONNECT WARNING
6	39781	MEAT PROBE JACK	17	59434	STANDOFF, #4-40X1"
7	39782	MEAT PROBE JACK PLUG	18	101653	DUST PLUG, USB
8	39688	CIRCUIT BREAKER, 20A	19	59565	USB CABLE, STRAIGHT
9	36376	SWITCH, GAS, ON/OFF	20	38840	SCREW, MACH, 4-40 X 3/8, SS PAN HD
10	100901	BRACKET, DEFLECTOR	21	20043	STRAIN RELIEF, 12"
11	101393	HLUI COMMUNICATIONS CABLE			
12	101395	HARNESS, HV FRONT, HLUI			

MANUAL CONTROL

FOR HV-100G-AB OVENS (MANUFACTURED AFTER 1/25/2017 AND BEFORE 8/1/2017)

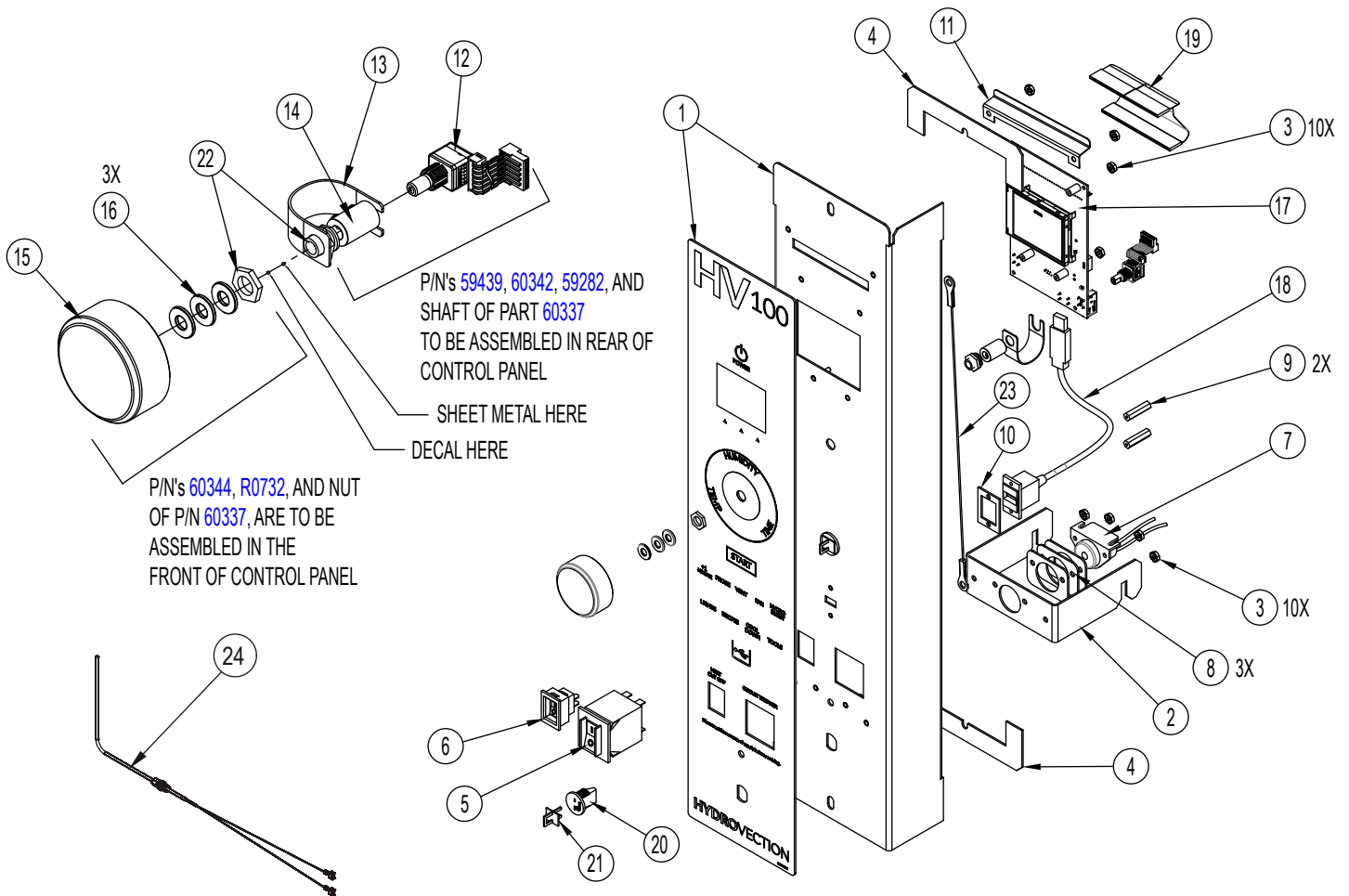


For HV-100G-AB Ovens (Serial Letter Code KI)

Ref. No.	Part No.	Description	Ref. No.	Part No.	Description
1	59206	PANEL & DECAL	13	54340	ENCODER SUPPORT SPACER
2	16384	10-24 X 1/2 TRUSS HEAD SCREW	14	59150	PROGRAMMED CONTROL, HV100 MANUAL
3	52466	ROTARY SWITCH, 5 POSITION	15	M1421	#6 WASHER
4	36616	KNOB, WITH ARROW	16	34480	#6-32 X 3/4 SCREW
5	36617	KNOB, NO ARROW	17	54380	INTERFACE BOARD, HV100 MANUAL
6	39781	MEAT PROBE JACK	18	52806	DEFLECTOR
7	39688	CIRCUIT BREAKER, 20A	19	M3367	6-32 NUT, KEPS
8	36376	GAS CUTOFF SWITCH	20	53759	BUZZER
9	39782	MEAT PROBE JACK PLUG	21	53921	BUZZER SPACER
10	58918	BRACKET, HANGING, HV100	22	18234	POTENTIOMETER
11	53157	3 BUTTON CIRCUIT BOARD	23	59078	MANUAL CONTROL, COMPLETE ASSEMBLY AS SHOWN (WITHOUT INTERFACE BOARD)
	54075	COMMUNICATION CABLE (NOT SHOWN)	24	53007	CAVITY PROBE
12	53344	MANUAL CONTROL CONNECTOR HARNESS			

PROGRAMMABLE MANUAL CONTROL

FOR HV-100G-AB OVENS (MANUFACTURED AFTER 8/1/2017)

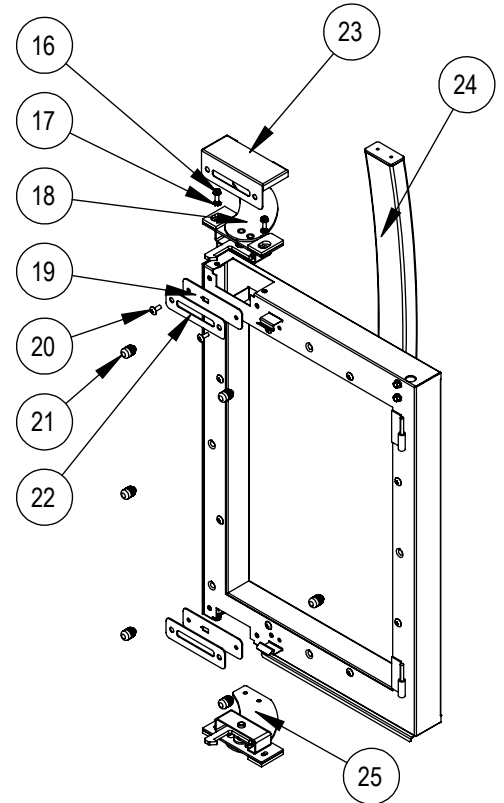
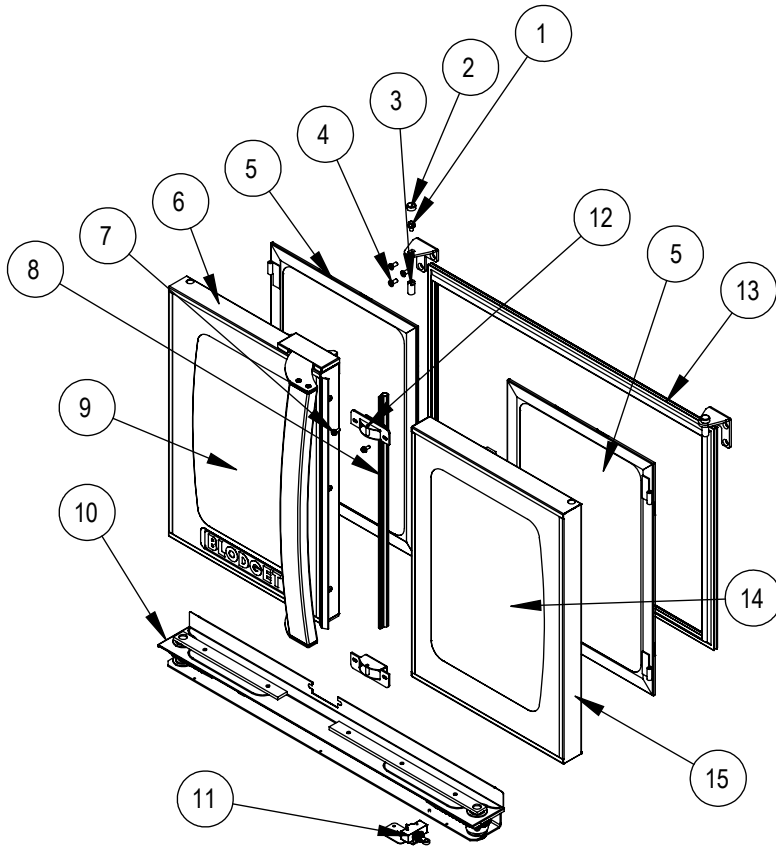


For HV-100G-AB Ovens (Serial Letter Code KI)

Ref. No.	Part No.	Description	Ref. No.	Part No.	Description
1	59854	PANEL & DECAL ASSY	16	R0732	#10 WASHER
2	58918	HANGING BRACKET	17	59366	CONTROL, MANUAL HV100
3	M3367	NUT, 6-32 KEPS	17	59817	CONTROL, MANUAL HV100, K12
4	R4872	TILT PANEL, GASKET, BY THE INCH	18	59565	USB CABLE
5	39688	CIRCUIT BREAKER, 20A	19	59709	CABLE, CONNECTING CONTROL
6	36376	GAS ON/OFF SWITCH	20	39781	MEAT PROBE JACK
7	53759	BUZZER	21	39782	MEAT PROBE PLUG
8	53921	BUZZER SPACER	22	60337	SHAFT LEAD-IN
9	59434	STANDOFF #4-40 X 1"	23	20043	12" STRAIN RELIEF
10	59280	USB SPACER	24	53007	CAVITY PROBE
11	59349	DEFLECTOR BRACKET		54330	COM CABLE, 20", TOUCHSCREEN (NOT SHOWN)
12	59282	ENCODER		59032	HARNESS, HV FRONT LINE (NOT SHOWN)
13	60342	PLASTIC BRACE		59552	HARNESS, HV100 AB, MANUAL, FRONT (NOT SHOWN)
14	59439	COUPLING, 1/4" SET SCREW			
15	60344	KNOB, ENCODER			

DOORS

FOR HV-100G-AB OVENS (MANUFACTURED AFTER 1/25/2017)



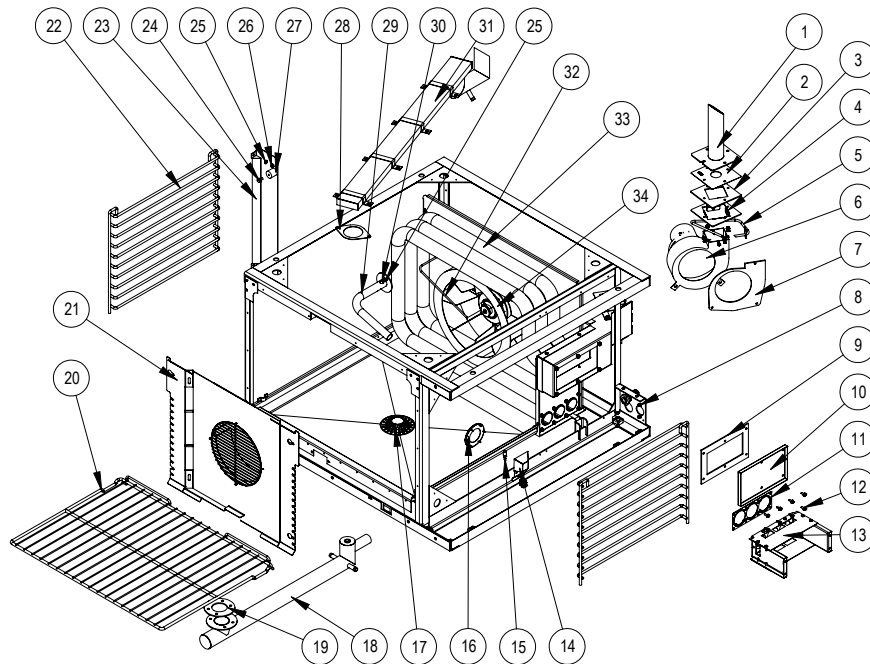
For HV-100G-AB Ovens (Serial Letter Code KI)

Ref. No.	Part No.	Description
1	52447	DOOR PIN BOLT
2	52666	HEX BOLT CAP
3	51591	PIN, DOOR
4	M1118	SCREW, 1/4-20 X 5/8, FLAT HEAD
5	59013	ASSY, INNER GLASS
6	59140	DOOR ASSEMBLY, LH (COMPLETE AS SHOWN)
7	57725	10-24 X 1/2 SERRATED HEX FLANGE
8	51610	GASKET, CENTER DOOR
9	59007	FRONT GLASS, LH
10	57953	ASSY, DOOR TURNBUCKLE (BEFORE 4/10/24)
10	58925	ASSY, DOOR DRIVE (AFTER 4/10/24)
11	52514	ASSEMBLY, DOOR SWITCH (BEFORE 4/10/24)
11	100022	KIT, DOOR SWITCH (AFTER 4/10/24)

Ref. No.	Part No.	Description
12	58824	LATCH CATCH ASSY
13	52716	GASKET, HV100 PERIMETER BLADE
14	59006	FRONT GLASS, RH
15	59141	DOOR ASSEMBLY, RH (COMPLETE AS SHOWN)
16	M6315	10-24 X 1/2 HEX WASHER HEAD SCREW
17	16479	LOCK WASHER, EXTERNAL TOOTH
18	58939	LATCH ASSY, RECT, TOP
19	55537	GASKET, DOOR LATCH
20	16384	10-24 X 1/2 TRUSS HEAD SCREW
21	61036	RUBBER BUMPER
22	55536	PLATE, LATCH COVER
23	59018	COVER, LATCH, HV100
24	55608	DOOR HANDLE, HV100
25	58938	LATCH ASSY, RECT, BOTTOM

INTERIOR COMPONENTS

FOR HV-100G-AB OVENS (MANUFACTURED AFTER 1/25/2017)

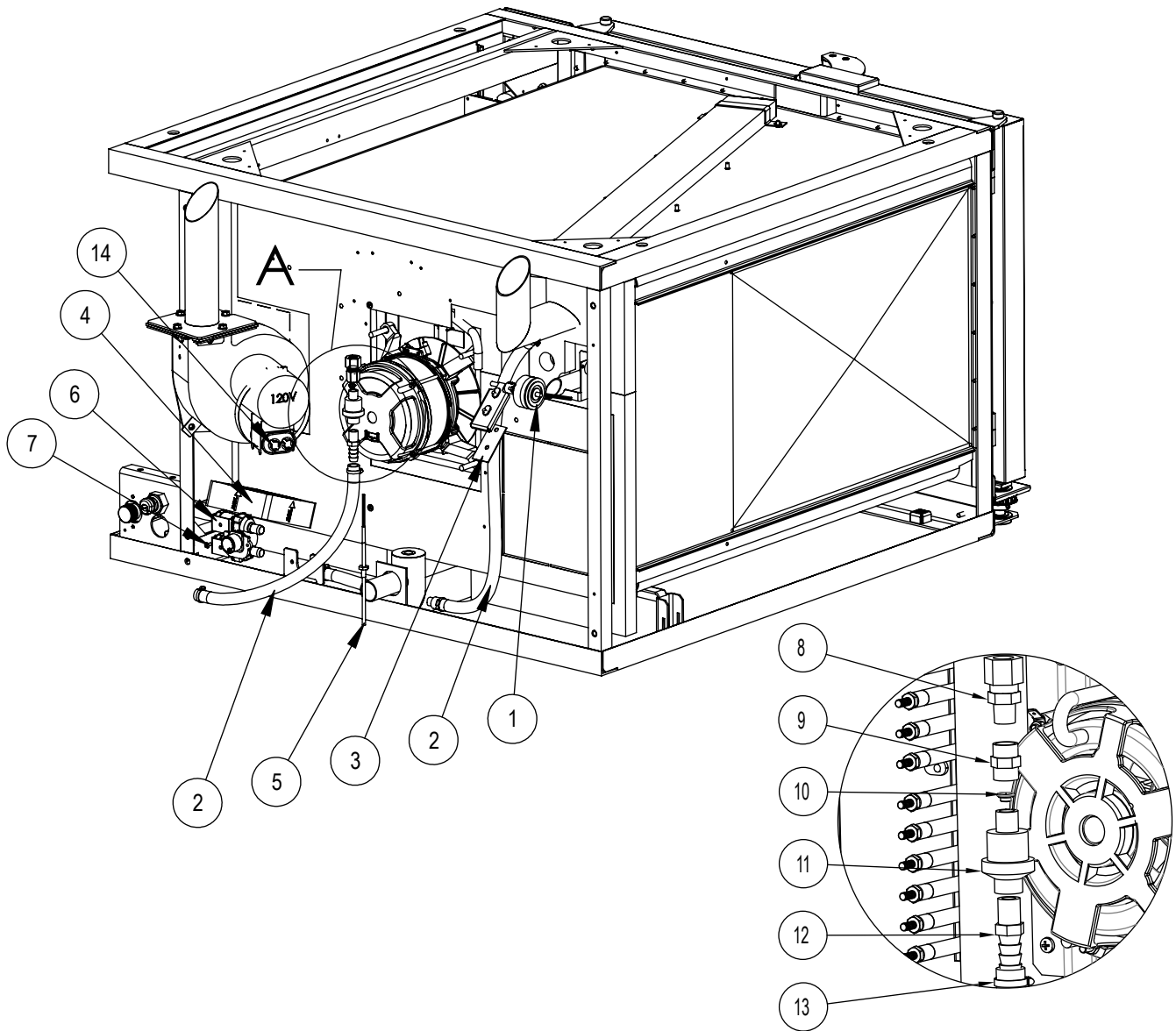


For HV-100G-AB Ovens (Serial Letter Code KI)

Ref. No.	Part No.	Description	Ref. No.	Part No.	Description
1	58808	FLUE, HV100	16	53081	BEZEL, GASKET & LENSE ASSEMBLY
2	55742	HV100G, NATURAL GAS RESTRICTOR PLATE	17	39336	COVER, DRAIN
3	58985	GASKET, FLUE	18	59154	DRAIN ASSEMBLY
4	58954	ASSEMBLY, BRACKET, FLUE MOUNT	19	59162	GASKET, DRAIN
5	59058	TUBE, PRESSURE SWITCH	20	59046	WIRE RACK
6	54776	BLOWER ASSEMBLY, 120V	21	58863	BAFFLE, HV100G
6	55864	BLOWER ASSEMBLY, 208/240V	22	59047	SIDE RACK SUPPORT
7	58986	GASKET, IDB BLOWER		53270	4 PAN FIXED SIDE RACK SUPPORT (Dunkin)
8	M3367	NUT, 6-32 KEPS	23	58865	BAFFLE, SIDE SUPPORT
9	58984	GASKET, IDB BOX	24	58568	1/4-20 X 1/2, SERRATED HEAD BOLT
10	54404	DRAFT INDUCER BOX COVER	25	M0417	LOCK WASHER, 1/4"
11	58676	HEAT EX GASKET, SS, HV100G	26	R0712	10-24 ACORN NUT
12	M6315	10-24 X 1/2 FLANGE HEAD BOLT	27	58997	SPACER
13	54164	BURNER BOX ASSEMBLY	28	58998	GASKET, LINER VENT
14	53194	LAMP HOUSING ASSEMBLY (UNITS BEFORE 07/18/23)	29	55020	CAVITY VENT
14	101535	XENON LAMP HOUSING ASSEMBLY (UNITS AFTER 07/17/23)	30	11596	1/4-20 LOW PROFILE ACORN NUT
15	53101	HALOGEN BULB (UNITS BEFORE 07/18/23)	31	58866	VENT ASSEMBLY, HV100
15	101533	XENON BULB (UNITS AFTER 07/17/23)	32	53007	CAVITY TEMP PROBE
	101579	12V HALOGEN TO 24V XENON RETROFIT KIT, COMPLETE LIGHT SET (BEFORE 07/18/23 AB ONLY)	33	54791	HEAT EXCHANGER
			34	55303	BLOWER WHEEL WITH KEY

REAR COMPONENTS

FOR HV-100G-AB OVENS (MANUFACTURED AFTER 1/25/2017)

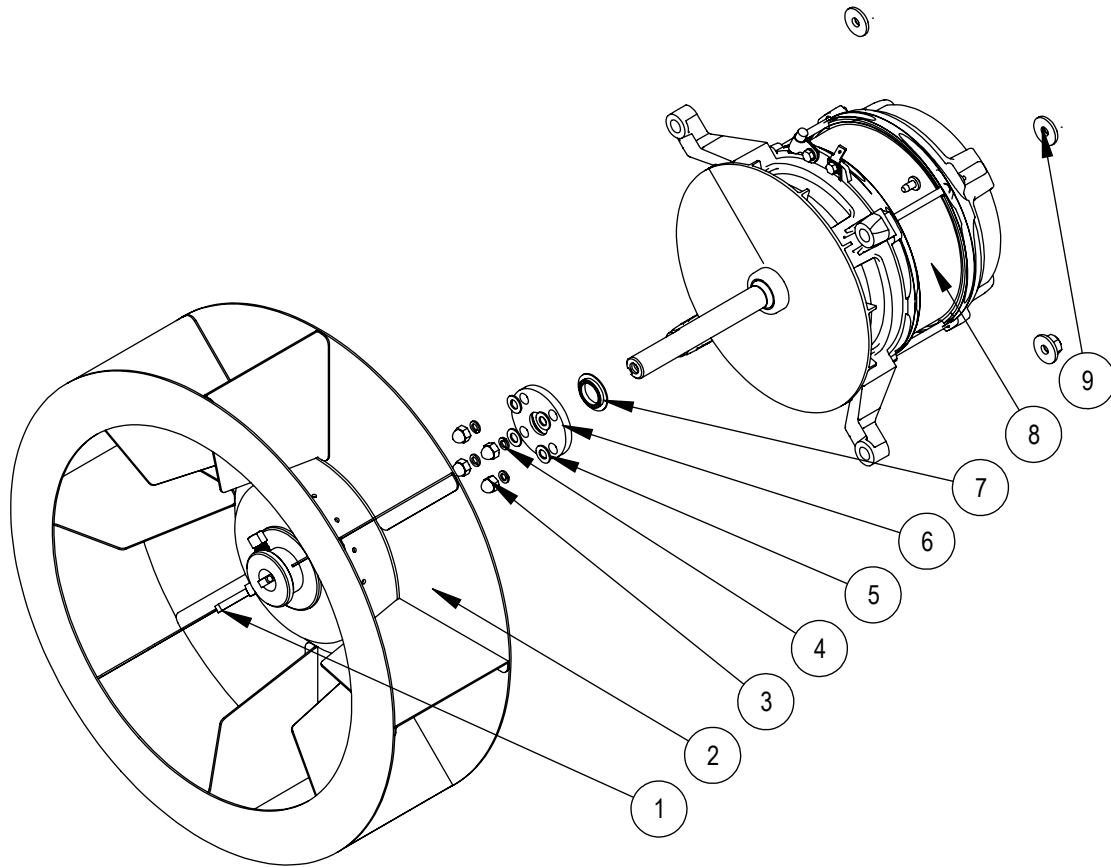


For HV-100G-AB Ovens (Serial Letter Code KI)

Ref. No.	Part No.	Description	Ref. No.	Part No.	Description
1	39324	ROTARY SOLENOID	8	59333	COMPRESSION FITTING
2	58270	SILICONE HOSE (BY THE INCH)	9	59332	COUPLING
3	55023	VENT GASKET	10	58348	FLOW VALVE ORIFICE
4	52947	AXIAL FAN	11	58347	FLOW VALVE
5	58871	DRAIN TEMP PROBE	12	58884	FITTING, BARBED
6	59630	KIT, DUAL OUTPUT WATER VALVE	13	R0080	HOSE CLAMP
7	R1270	SCREW, M4-.7 X 10MM	14	38610	CAPACITOR
	59176	WATER MANIFOLD (EXT)			

MOTOR ASSEMBLY

FOR HV-100G-AB OVENS (MANUFACTURED AFTER 1/25/2017)

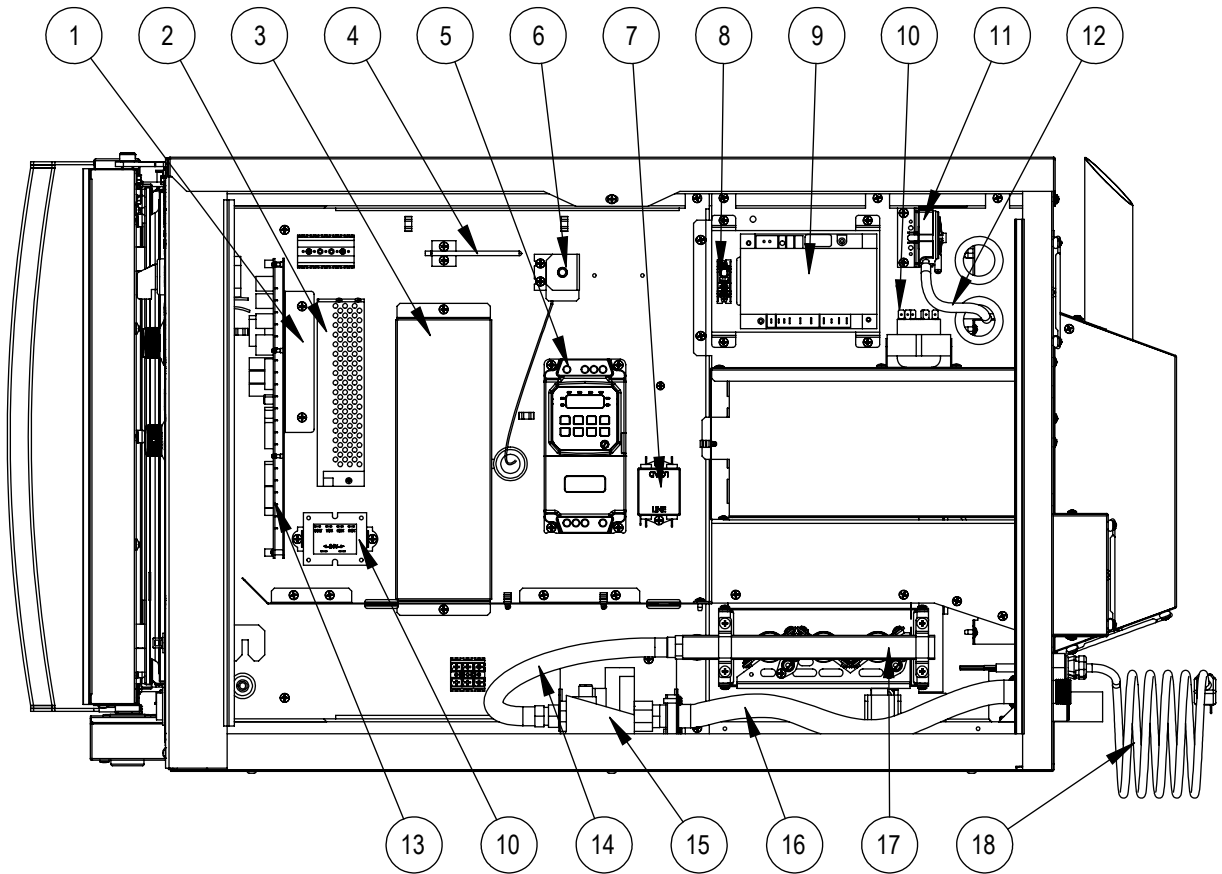


For HV-100G-AB Ovens (Serial Letter Code KI)

<u>Ref. No.</u>	<u>Part No.</u>	<u>Description</u>	<u>Ref. No.</u>	<u>Part No.</u>	<u>Description</u>
1	54960	KEY, 3/16 X 1"	7	R4244	SHAFT SEAL
2	55303	BLOWER WHEEL	8	59909	CONVECTION MOTOR
3	R0712	ACORN NUT, 10-24		39332	MOTOR
4	R0726	LOCK WASHER, #10	9	8628	5/16-18 SERRATED FLANGE NUT
5	R0733	FLAT WASHER, #10			
6	59059	SHAFT SEAL RETAINER			

ELECTRICAL COMPONENTS

FOR HV-100G-AB OVENS (MANUFACTURED AFTER 1/25/2017)

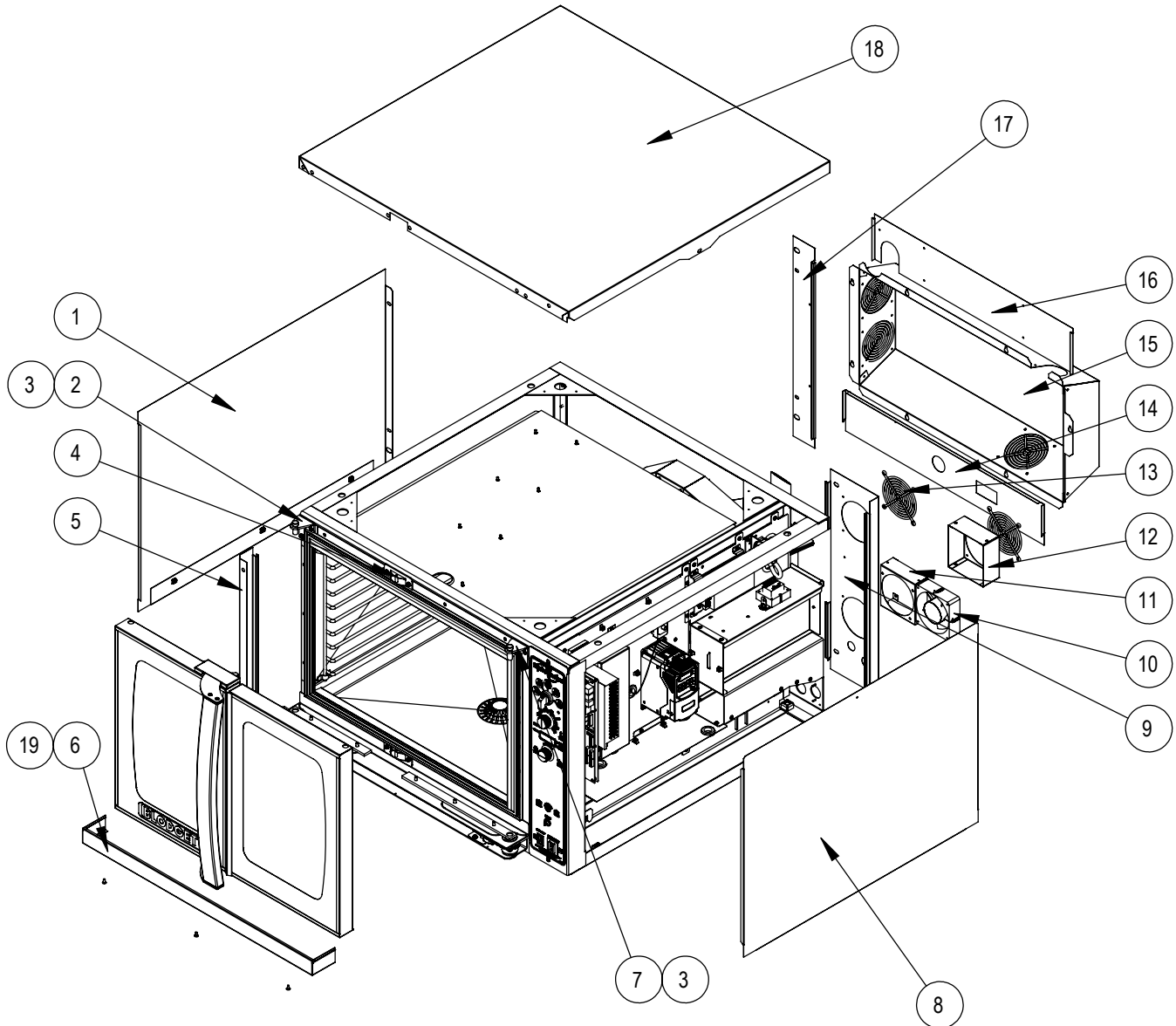


For HV-100G-AB Ovens (Serial Letter Code KI)

Ref. No.	Part No.	Description	Ref. No.	Part No.	Description
1	53321	RELAY BOARD BRACKET	12	M9705	SILICONE TUBING, (PER INCH)
2	59331	24VDC POWER SUPPLY	13	57727	RELAY BOARD, TOUCHSCREEN & 2.8" MANUAL AFTER 8/01/2017
3	58897	LIGHT ACCESS COVER	13	54380	RELAY BOARD, HV100 MANUAL BEFORE 7/31/2017
4	56873	PROBE, 1K RTD	14	33249	FLEX GAS HOSE, 13"
5	59744	PROG. INVERTER (TS CTRL)	15	38742	GAS VALVE ASSY, NATURAL GAS
5	59743	PROG. INVERTER (MANUAL CTRL)	15	38743	GAS VALVE ASSY, PROPANE
6	36441	THERMOSTAT, HIGH LIMIT	16	55070	FLEX GAS HOSE, 17"
7	53902	EMI FILTER	17	54453	BURNER ASSEMBLY, NATURAL GAS
8	36446	RELAY	17	54645	BURNER ASSEMBLY, PROPANE
9	54388	IGNITION CONTROL	18	5091	CORD SET ASSEMBLY
10	38303	TRANSFORMER 40V A			
11	M9422	PRESSURE SWITCH			

EXTERIOR COMPONENTS

FOR HV-100G-AB OVENS (MANUFACTURED AFTER 1/25/2017)

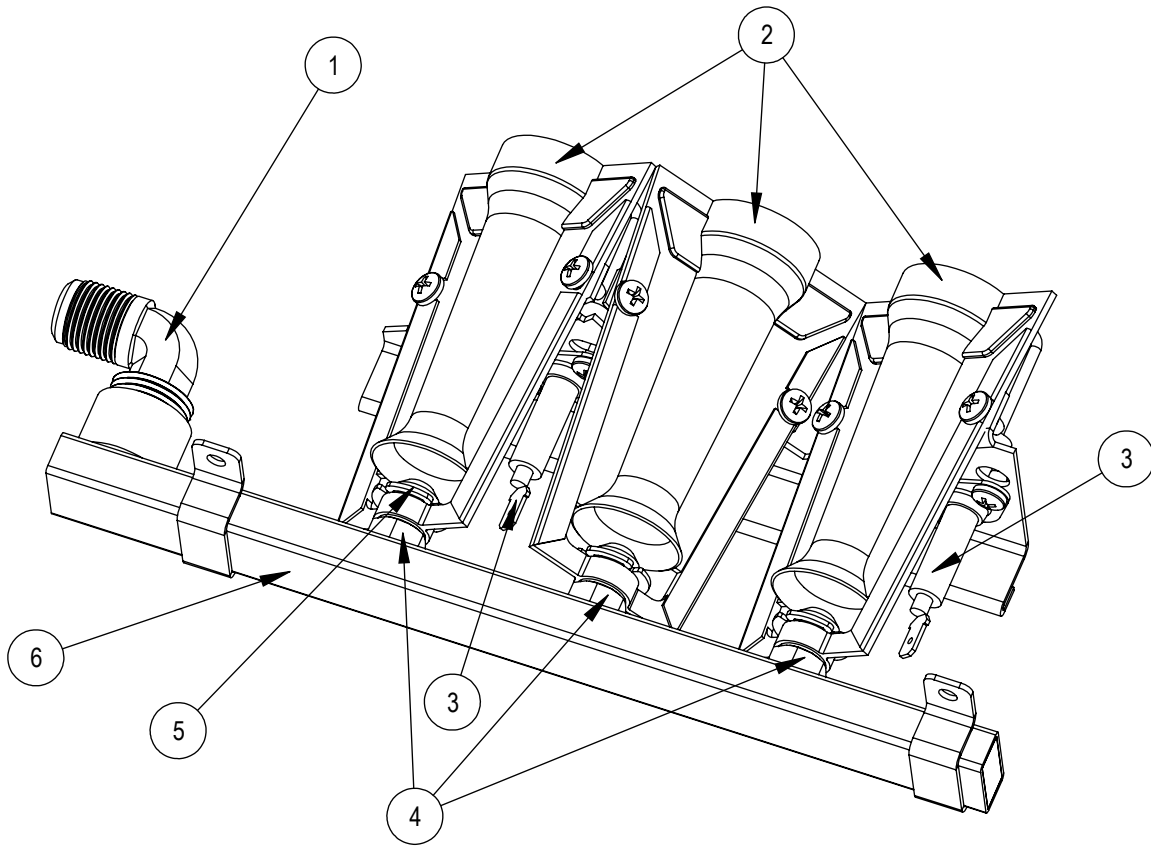


For HV-100G-AB Ovens (Serial Letter Code KI)

Ref. No.	Part No.	Description	Ref. No.	Part No.	Description
1	58910	BODY SIDE, LEFT	10	52947	AXIAL FAN
2	51081	HINGE, LEFT	11	58970	FAN MOUNT, HV100
3	51591	HINGE PIN (LEFT & RIGHT)	12	59020	FAN COVER, HV100
4	58824	LATCH CATCH ASSEMBLY	13	M0571	FAN GUARD, 4"
5	58902	FRONT TRIM, LEFT	14	59166	BODY BACK, CENTER BOTTOM
6	51698	TRIM, LOWER FRONT (BEFORE 4/10/24)	15	59167	BODY BACK, ACCESS COVER
6	59376	COVER, GEAR DRIVE (AFTER 4/10/24)	16	59165	BODY BACK, CENTER TOP
7	51082	HINGE, RIGHT	17	58903	BODY BACK, RIGHT
8	58911	BODY SIDE, RIGHT	18	58901	BODY TOP
9	101732	BODY BACK, LEFT, GAS	19	16384	10-24 TRUSS HEAD SCREW

BURNER ASSEMBLY

FOR HV-100G-AB OVENS (MANUFACTURED AFTER 1/25/2017)



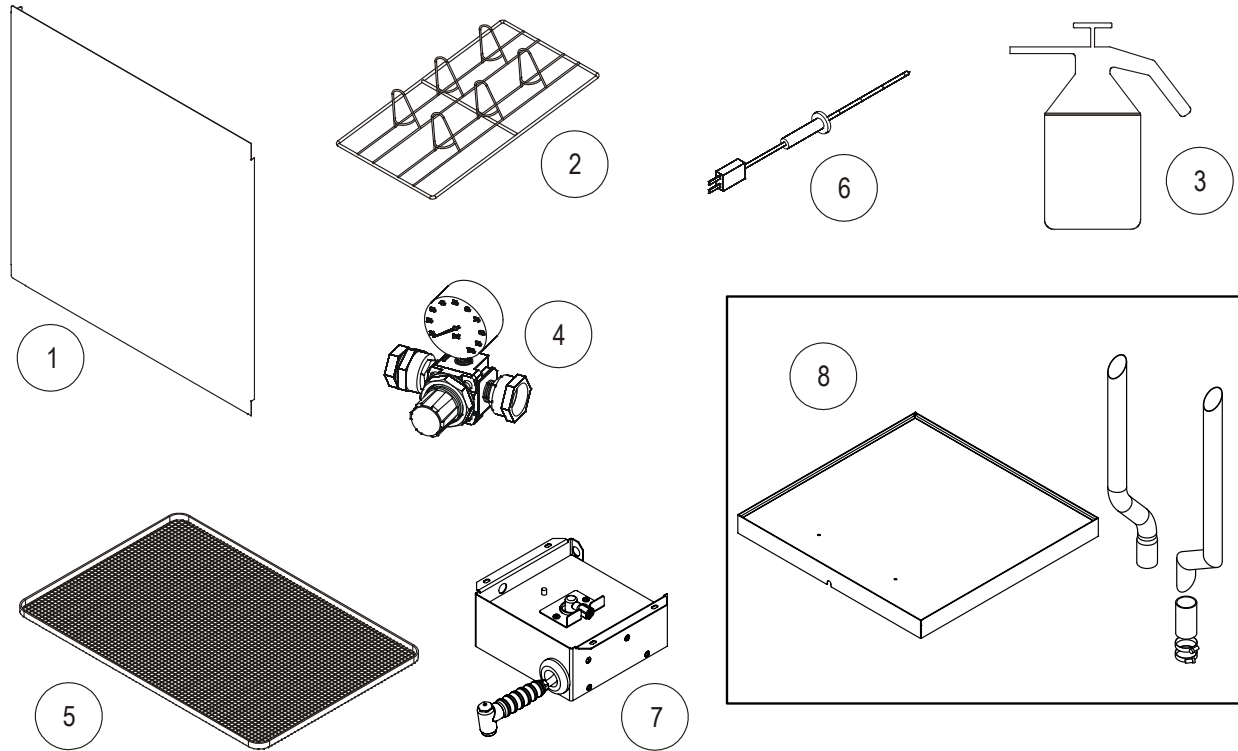
For HV-100G-AB Ovens (Serial Letter Code KI)

Ref. No.	Part No.	<u>Description</u>	Ref. No.	Part No.	<u>Description</u>
1	50253	ELBOW		100063	KIT, NATURAL TO LP CONVERSION
2	54638	BURNER	5	38964	RETAINING RING
3	38517	ELECTRODE (FLAME SENSE OR IGNITOR)	6	54453	BURNER ASSY, NATURAL GAS (COMPLETE AS SHOWN)
4	54175	ORIFICE, NATURAL GAS	6	54645	BURNER ASSY, PROPANE (COMPLETE AS SHOWN)
4	54640	ORIFICE, PROPANE			
	57796	KIT, LP TO NATURAL CONVERSION			

HV-100G & HV-100G-AB OVENS

ACCESSORIES

FOR ALL OVENS



Ref. No.	Part No.	Description
1	52889	HEAT SHIELD KIT
2	52387	CHICKEN ROASTING RACK
3	R10955	SPRAY BOTTLE
4	54734	PRESSURE REGULATOR, WITH HOSE REEL
	52815	PRESSURE REGULATOR W/OUT HOSE REEL
5	54247	FRY RACK, MULTI PURPOSE
	5996	CORDSET
	8598	25" S/S LEGS W/FEET (SET OF 4)
	16002	CASTERS (SET OF 4)
	57712	36" OPEN STAND W/GUIDES AND FEET
	57689	36" OPEN STAND W/GUIDES AND CASTERS
	33196	6" SEISMIC LEGS (SET OF 4)
	8600	6" S/S LEGS W/FEET (SET OF 4)
	53057	8-1/2" LEGS W/CASTERS (SET OF 4)
	53058	11" LEGS W/FEET (SET OF 4)
	53059	11" LEGS W/SEISMIC FEET (SET OF 4)
6	56545	MEAT PROBE, 4", DUAL SENSOR
	57685	MEAT PROBE, 4" FILLET
	21242	48" GAS HOSE

Ref. No.	Part No.	Description
	21826	36" GAS HOSE
7	54674	EXTERNAL HOSE REEL ASSEMBLY
	52998	SPRAY NOZZLE (PUSH-BUTTON) FOR HOSE REEL
	54801	GAS MANIFOLD
	58536	KIT, STACKING (HOSE REEL NOT INCLUDED)
	59292	SPRAY NOZZLE/PROBE HOLDER BRACKET
	52874	STACKING KIT, HV-100-AA WITH STANDARD DEPTH CONVECTION
	52896	STACKING KIT, HV-100-AA WITH BAKERY DEPTH CONVECTION
	59262	STACKING KIT, HV-100-AB WITH STANDARD DEPTH CONVECTION
	59260	STACKING KIT, HV-100-AB WITH BAKERY DEPTH CONVECTION
	59837	SPRAY NOZZLE ONLY (FOR EXTERNAL SPRAY HOSE)
	R10889	EXTERNAL SPRAY HOSE (W/O NOZZLE)
8	101137	UNIVERSAL PLATFORM KIT