



MINI COMBI OVENS REPLACEMENT PARTS LIST

EFFECTIVE FEBRUARY 9, 2026

Superseding All Previous Parts Lists.

The Company reserves the right to make substitution in the event that items specified are not available.

ERRORS: Descriptive and/or typographic errors are subject to correction.

BLODGETT-COMBI

42 Allen Martin Drive, Essex Junction, Vermont 05452 USA Telephone: (802) 658-6600 Fax: (802) 860-3732

www.blodgett-combi.com

P/N 61508 Rev BL

SERIAL NUMBER LOCATION / KEY:

IMPORTANT: When ordering parts, please provide the model and serial number of the oven. The identification plate is located on the back of the oven.

SERIAL NUMBER IDENTIFICATION CODE:

BS = BLCT-6E PRIOR TO MAY 2025

KV = BLCT-6E MAY 2025 TO PRESENT

BT = BLCT-10E PRIOR TO MAY 2025

KR = BLCT-10E MAY 2025 TO PRESENT

NS = BLCT-6EM PRIOR TO MAY 2025

KZ = BLCT-6EM MAY 2025 TO PRESENT

NT = BLCT-10EM PRIOR TO MAY 2025

KT = BLCT-10EM MAY 2025 TO PRESENT

SERIAL NUMBER EXAMPLES

011916BS001

01/19/16 = DATE

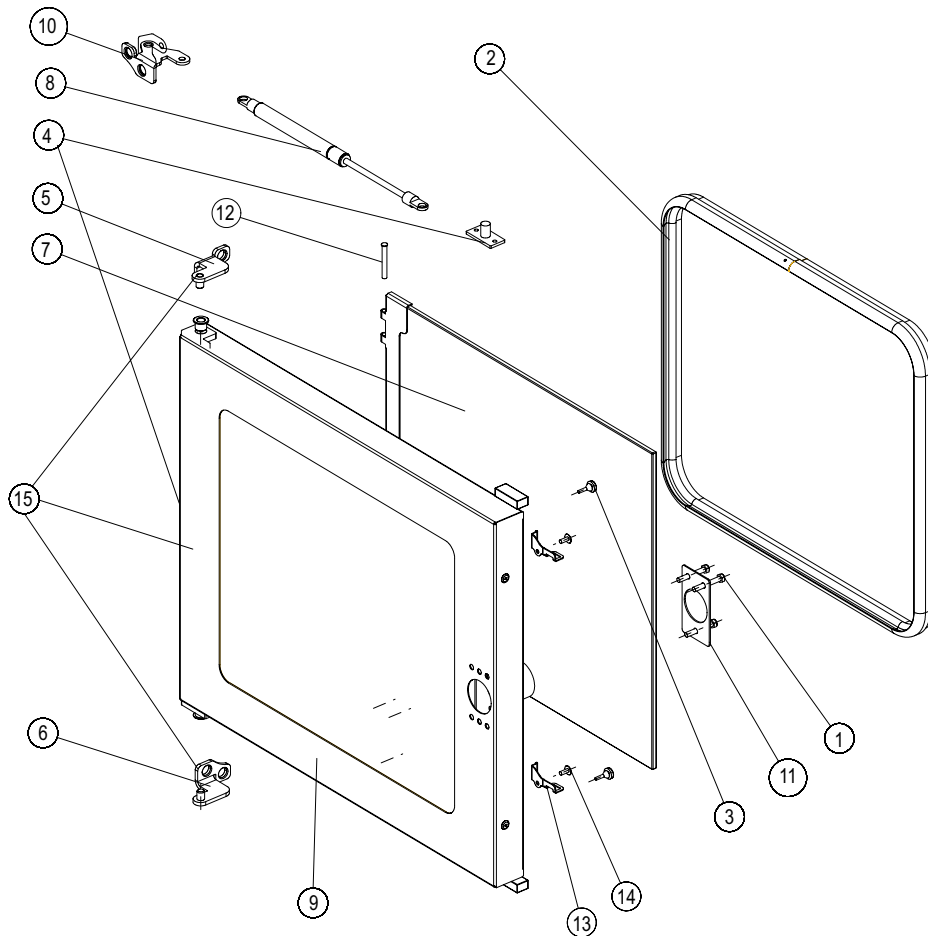
BS = LETTER CODE FOR BLCT-6E PRIOR TO MAY 2025

001 = FACTORY SEQUENCE

TABLE OF CONTENTS

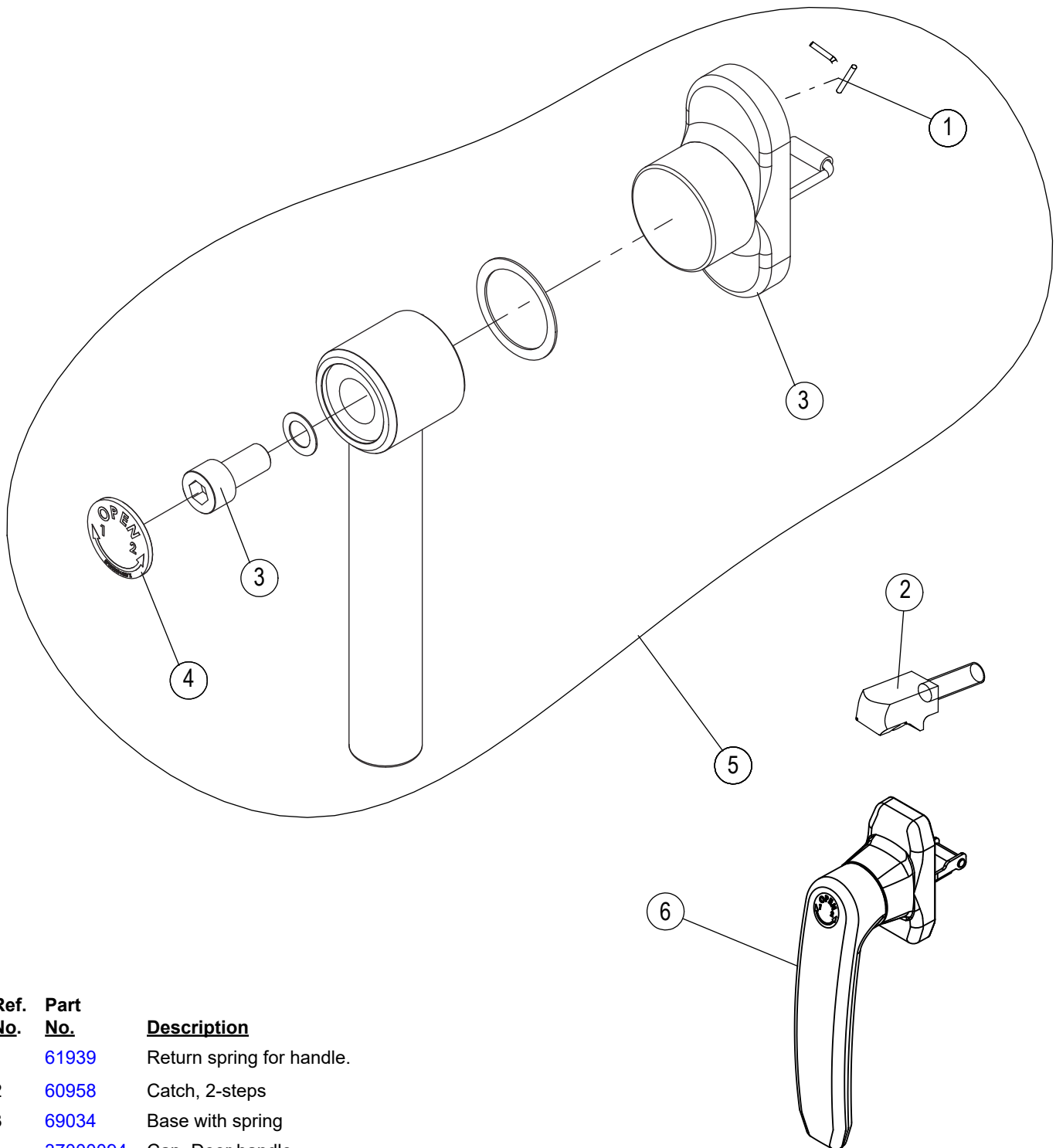
OVEN DOOR.....	4
DOOR HANDLE	5
OVEN CAVITY.....	6
MAIN FAN MOTOR/HEATING ELEMENTS	7
DAMPER.....	8
OVEN LIGHT	9
TOP COVER.....	10
BLCM CONTROL PANEL.....	11
BLCP CONTROL PANEL.....	12
BLCT CONTROL PANEL WITH SIDE ACCESS.....	13
BLCT ONE TOUCH CONTROL PANEL WITH SIDE ACCESS	17
BLCT CONTROL PANEL WITHOUT SIDE ACCESS	18
ELECTRICAL COMPONENTS (LEFT).....	19
ELECTRICAL COMPONENTS (RIGHT)	20
DRAIN	21
HANDSHOWER	22
CLEANING SYSTEM.....	23
EXTRACTION HOOD	25
AIR INTAKE FILTER.....	26
STANDS.....	27

OVEN DOOR



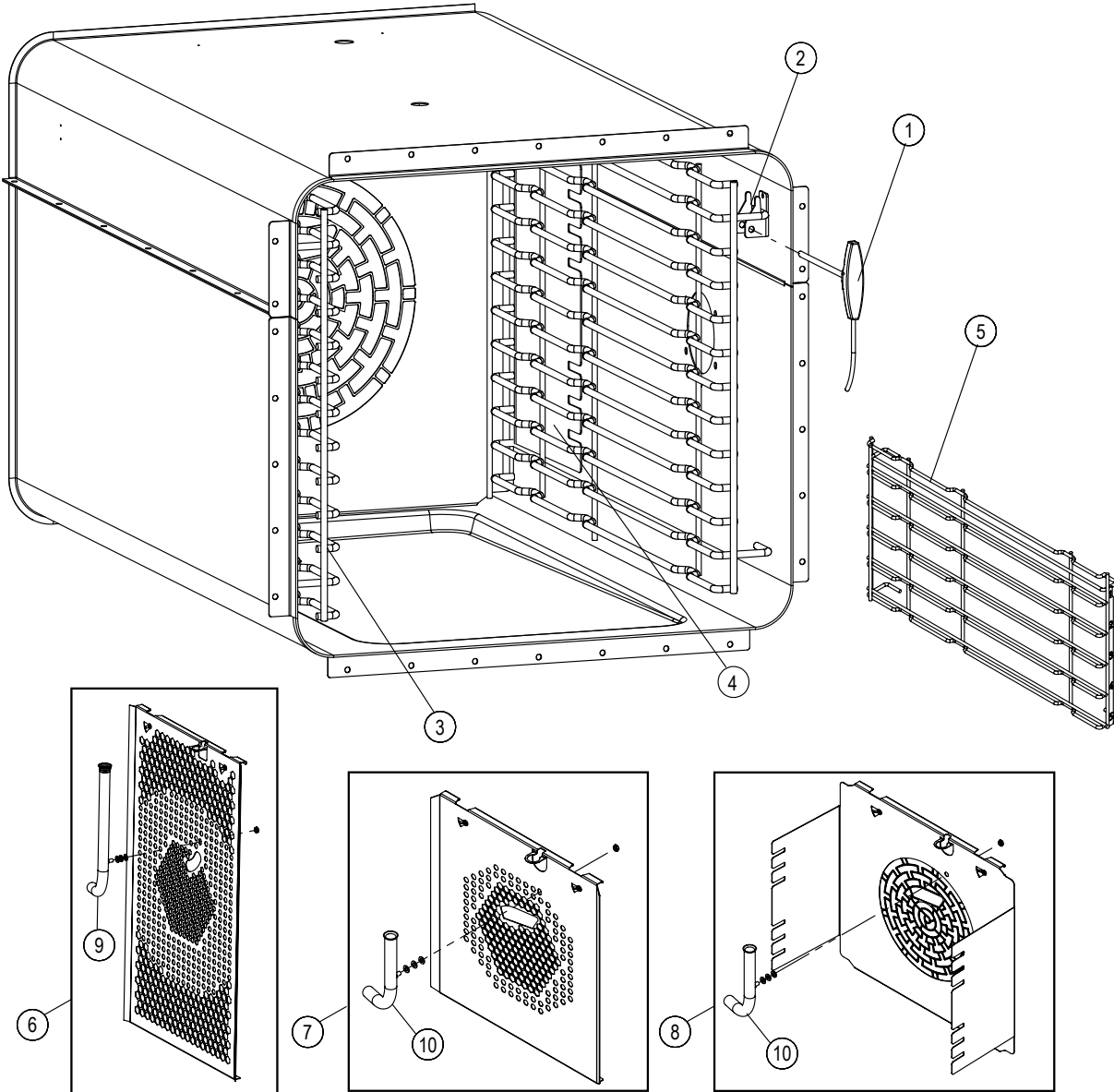
Ref. No.	Part No.	Description	Ref. No.	Part No.	Description
1	61932	Screw Set M5 x 35 A2	10	62520	Hinge marine top left CSII
2	60959	Door Gasket 2/3 & 6 pan	10	62521	Hinge marine top right CSII
	62479	Door Gasket - Wendy's	11	62250	Reinforcement to handle CSII
2	60960	Door Gasket 10 pan	12	40400016	Pin for interior glass CS
3	61561	Rubber stopper interior glass Ø12mm	13	62393	Interior glass holder
4	63736	Marine Door, MINI6 LHH	14	62392	Pop rivet Ø4x10
4	63737	Marine Door, MINI6 RHH	15	61540	Door & Hinge Kit 6 pan
4	63738	Marine Door, MINI10 LHH	15	61343	Door & Hinge Kit 10 pan
4	63739	Marine Door, MINI10 RHH		60056	Screw, M6 x 20
5	62247	Hinge upper left Universal CSI & CSII		37000094	Cap, door handle
6	62248	Hinge lower left Universal CSI&CSII		60957	Door handle kit w/cap
7	62249	Interior glass 2/3 & 6 pan		62247	Hinge, upper left
7	40420004	Interior glass 10 pan		62248	Hinge, lower left
8	31557	Gas spring 50n		62246	Door Assembly
9	62246	Oven Door CSII 2/3 & 6 pan		40400007	Hinge Bushing
9	40410006	Oven Door CSII 10 pan			

DOOR HANDLE



Ref. No.	Part No.	Description
1	61939	Return spring for handle.
2	60958	Catch, 2-steps
3	69034	Base with spring
4	37000094	Cap, Door handle
5	60957	Handle cpl., kit for ovens manufactured between 6/1/2022 and 3/1/2024
6	63810	Service Handle for ovens manufactured prior to 6/1/2022 and after 3/1/2024

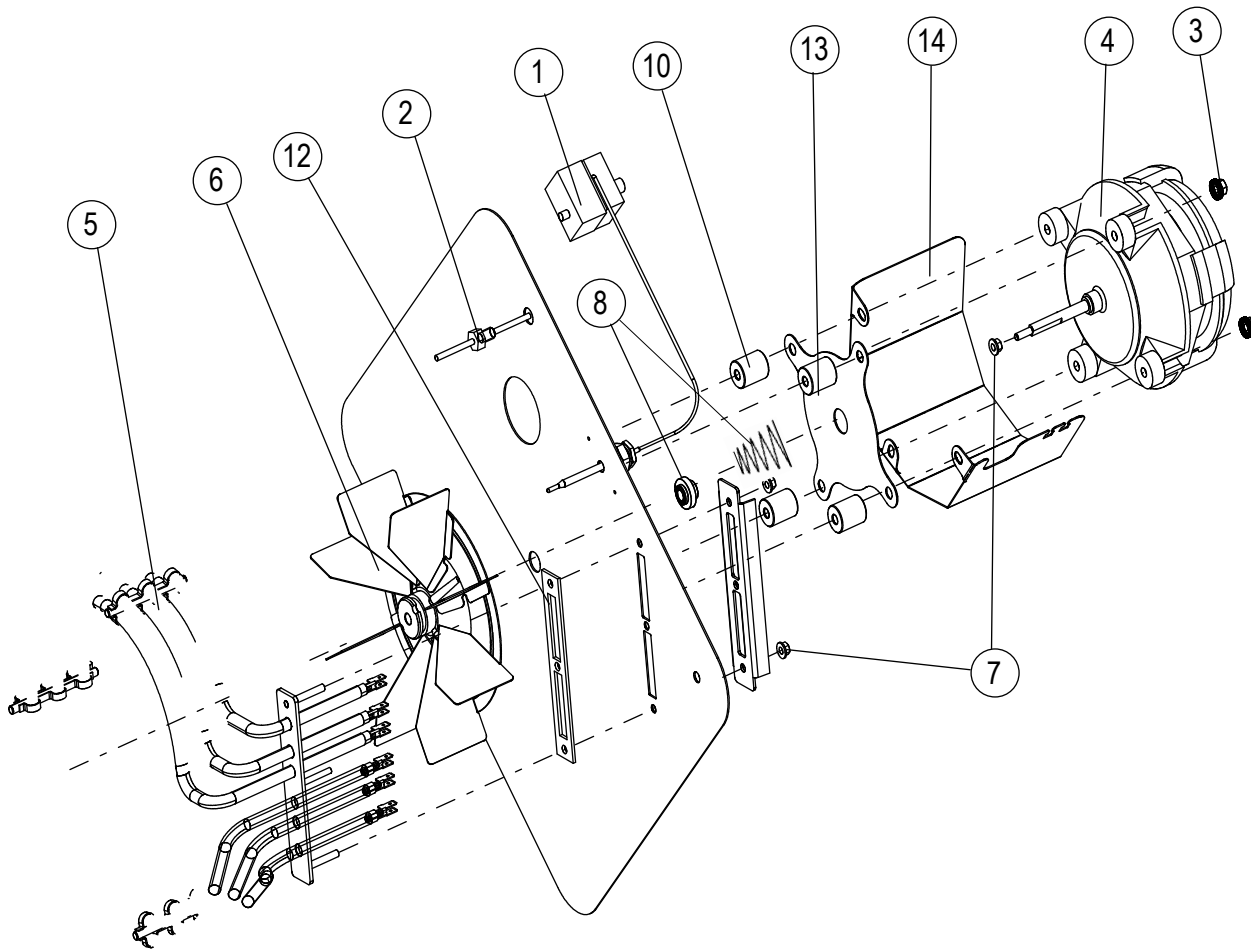
OVEN CAVITY



Ref. No.	Part No.	Description
1	30820031	Core probe L=2000 mm CS
2	63788	Kit, Combislim Rack Clip Field Upgrade
3	61588	Rack kit CS 2/3 pan
3	61410	Rack kit CS 6 pan
3	61589	Rack kit CS 10 pan
4	61585	Air guide plate CS 6 pan
4	61586	Air guide plate CS 10 pan right
4	61587	Air guide plate CS 10 pan left
5	62984	Side Rack Set (McDonalds) 2.25" spacing
	61232	Side Rack LHG (BK,McD,Wen) 2.4" spacing

Ref. No.	Part No.	Description
	61233	Side Rack RHG (BK,McD,Wen) 2.4" spacing
	62711	Side Rack, LH 10EH Country Fair
	62712	Side Rack, RH 10EH Country Fair
6	40120001	Interior baffle with pipe 10 pan
7	61583	Interior baffle with pipe, w/o airguard 2/3 & 6 pan
8	62274	Interior baffle with pipe 2/3 & 6 pan
9	30310251	Tube, baffle, 10 pan
10	62598	Tube, baffle, 2/3 & 6 pan

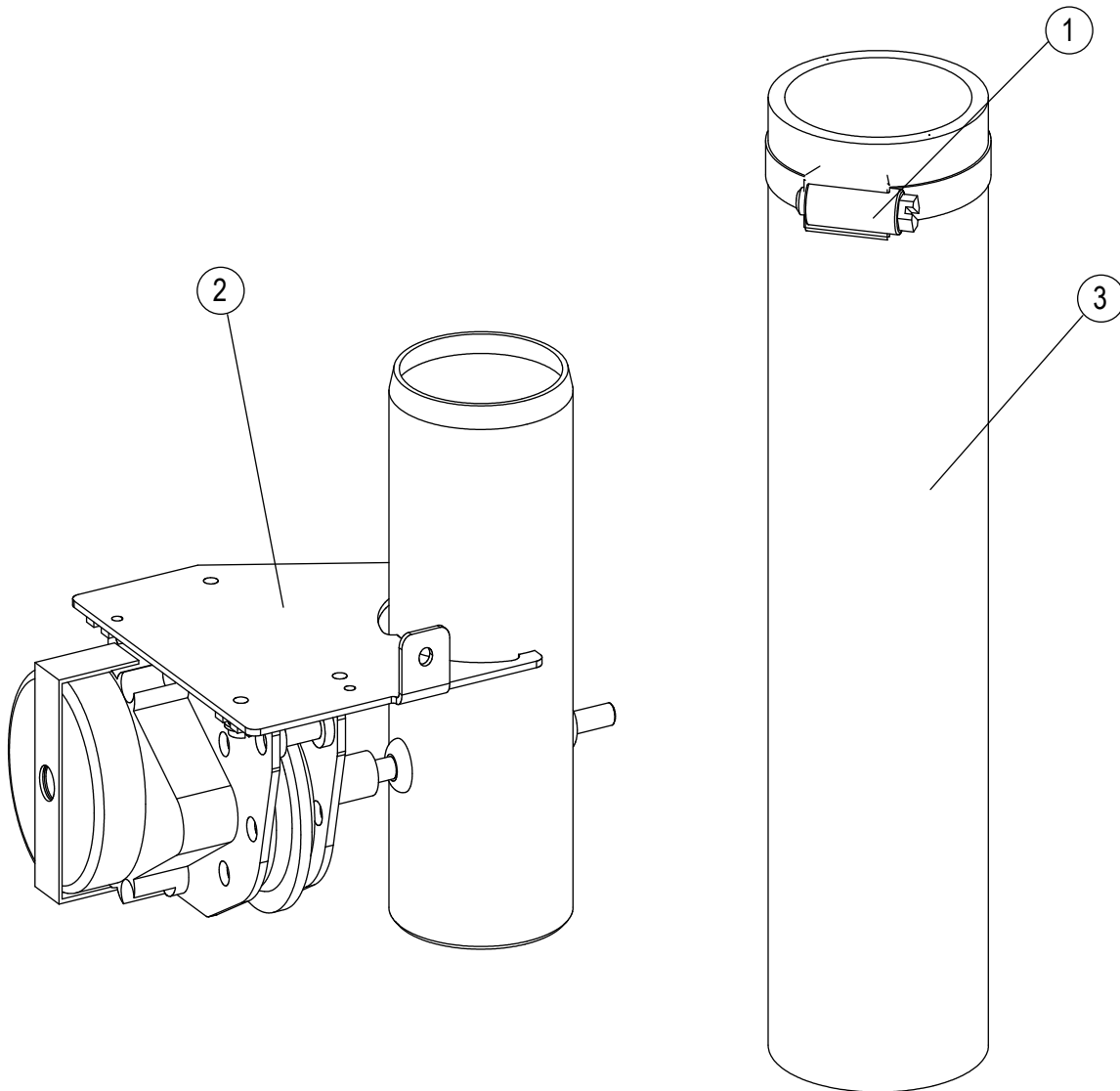
MAIN FAN MOTOR/HEATING ELEMENTS



Ref. No.	Part No.	Description
1	61187	High Limit
1	63547	High Limit relocation (optional)
2	60323	Temperature probe
3	61323	Nut M6 w/flange, serrated
4	61926	Fan Motor CS II 3X230V Kit w/Shaft Seal
5	61746	Element, CSII BLC6E, 3 phase (Wendy's Burger King, McDonalds, and General Market)
5	61499	Heating element w/gasket 10400-13850W 208/230/240V cpl., CS1 & CSII, 10 pan
5	62715	Heating element w/gasket 6900-9200W 208-240V
5	61577	Heating element w/gasket 5400-7200W 208/230/240V cpl., CS1, 2/3
5	61578	Heating element w/gasket 5400-5800W 400/415V cpl., CS1, 2/3
5	61579	Heating element w/gasket 5400-6500W 440/480V cpl., CS1, 2/3

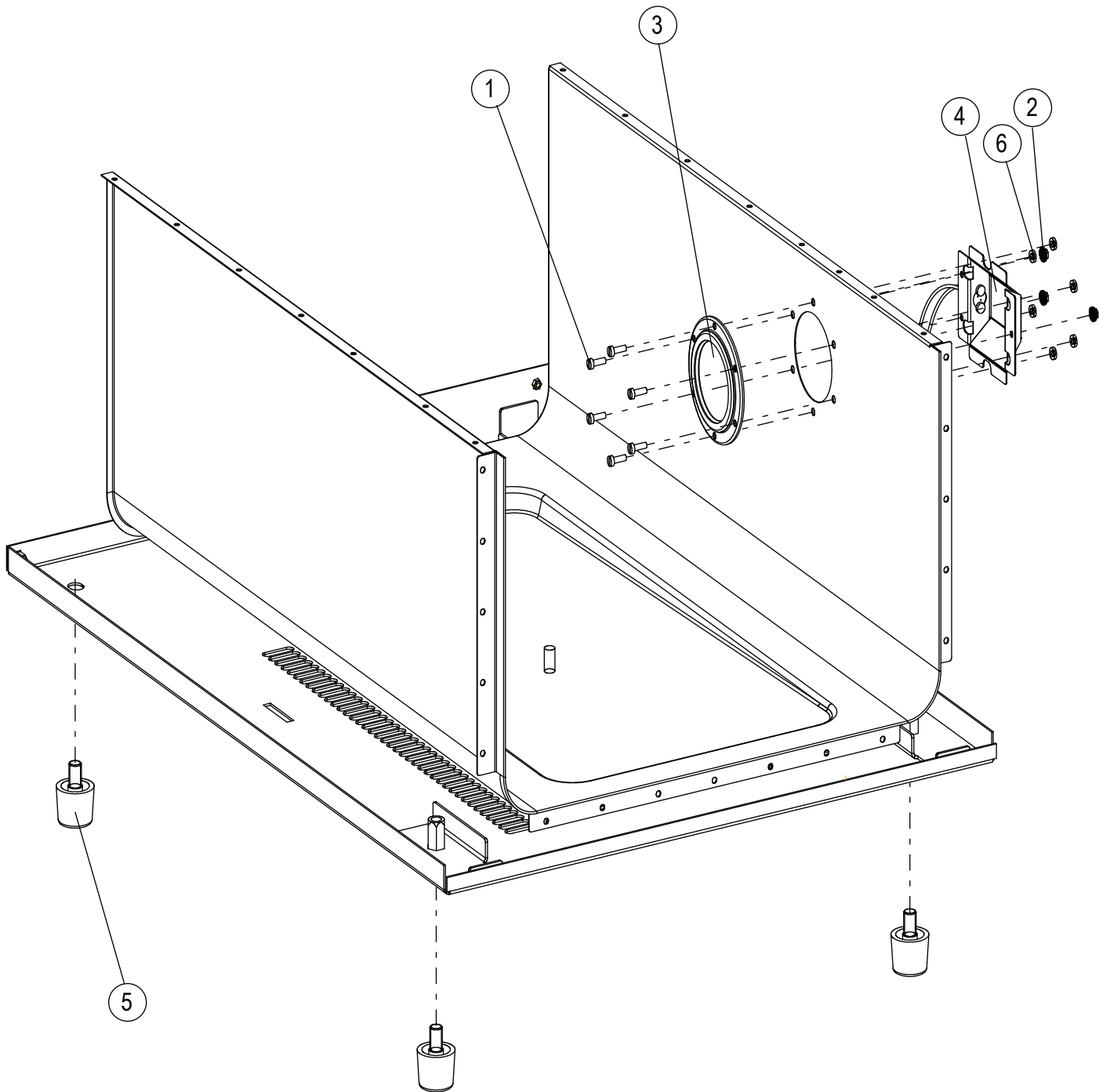
Ref. No.	Part No.	Description
5	61580	Heating element w/gasket 6900-9200W 208/230/240V cpl., CS1, 6 pan
5	61581	Heating element w/gasket 10400-12400W 256/277V cpl, CS1 & CSII, 10 pan
6	61824	Fan wheel CS V3
7	60563	Nut M5 A2 w/flange, serrated
8	61972	Motor Shaft Seal & Spring
10	62270	Spacer for Motor bracket CSII.1
12	61576	Gasket for heating element, CS1, 23 & 6
12	61575	Gasket for heating element, CS2, 23, 6 & 10
13	61754	Plate for motor CS
14	62275	Motor Cover CS

DAMPER



Ref. No.	Part No.	Description
1	60910	Hose clamp Ø46-Ø64
2	61309	Exhaust w. damper motor
3	62487	Hose for damper valve (blue) 220MM / 9", 2/3 & 6
3	62488	Hose for damper valve (blue) 110MM / 13", 10
3	61565	Hose for damper valve (Blue hose sold by inch)

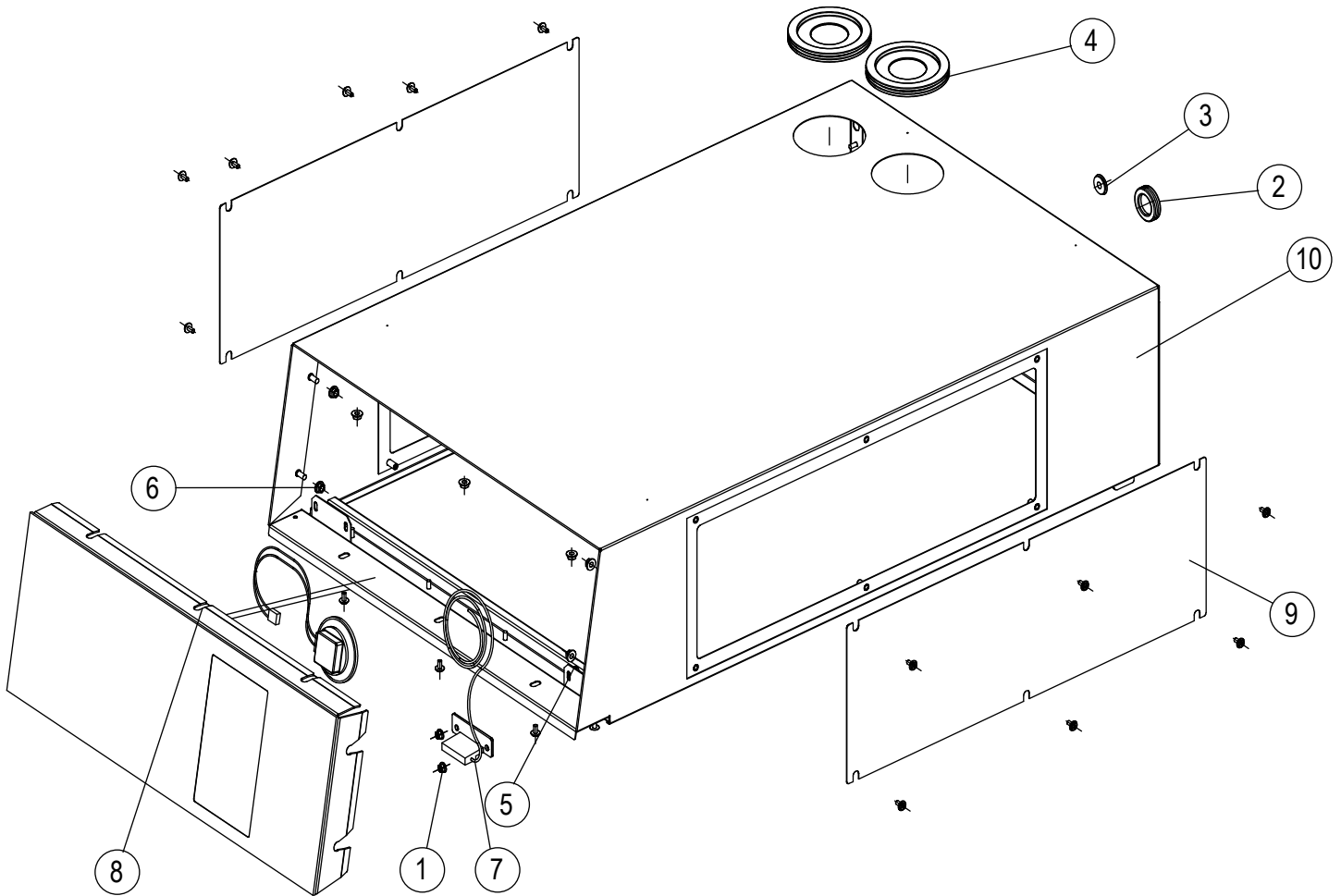
OVEN LIGHT



Ref. No.	Part No.	Description
1	60041	Screw M4 x 12
2	60069	Nut, Hex Flange, M3 A2
3	53081	Lamp Glass, Halogen, with gasket
4	62397	Lamp housing
	65045	Bulb

Ref. No.	Part No.	Description
5	61452	Rubber feet CS
6	60086	Washer 3mm
	60874	Leg set, 4" adjustable (not shown)

TOP COVER

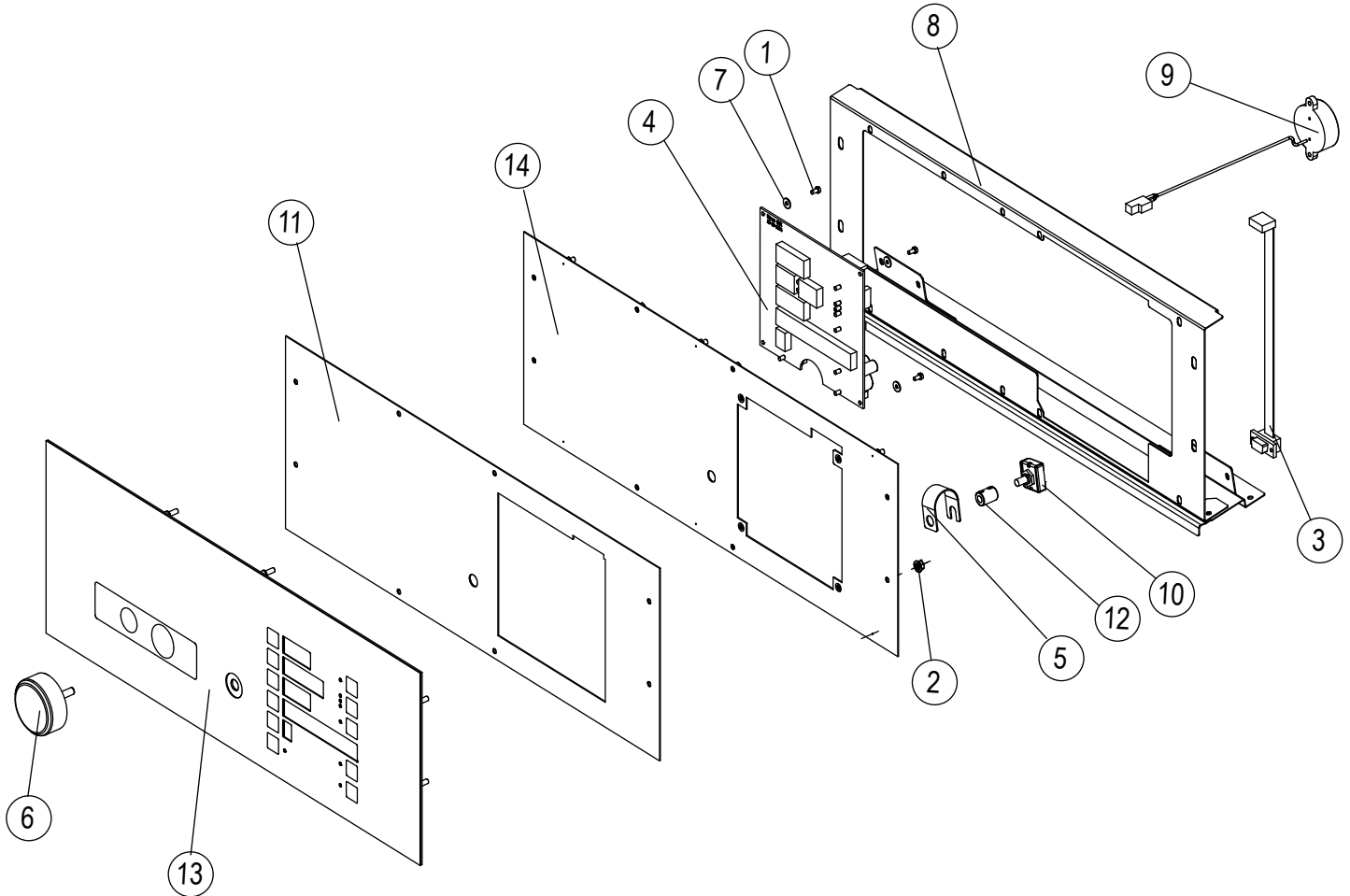


Ref. No.	Part No.	Description
1	62288	Nut flange w Toothing M4
2	62289	Membrane grommet Ø28
3	60896	Rubber plug, Ø20 x Ø14.9, black
4	61592	Gasket for exhaust CS
5	60040	Screw M4 x 8
6	60563	Nut M5 A2 w/flange, serrated
7	60575	Sensor for door
8		See following control panel pages

Ref. No.	Part No.	Description
9	61967	Inspection panel CSII 6 & 10 pan
10	61594	Top Cover CSI 2/3 pan
10	61595	Top cover CSI 6 & 10 pan
10	62398	Top Cover CSII 2/3 pan
10	62399	Top Cover CSII 6 & 10 pan
10	61966	Top Cover w inspection CSII 6 & 10 pan

BLCM CONTROL PANEL

MANUAL CONTROL OPTION

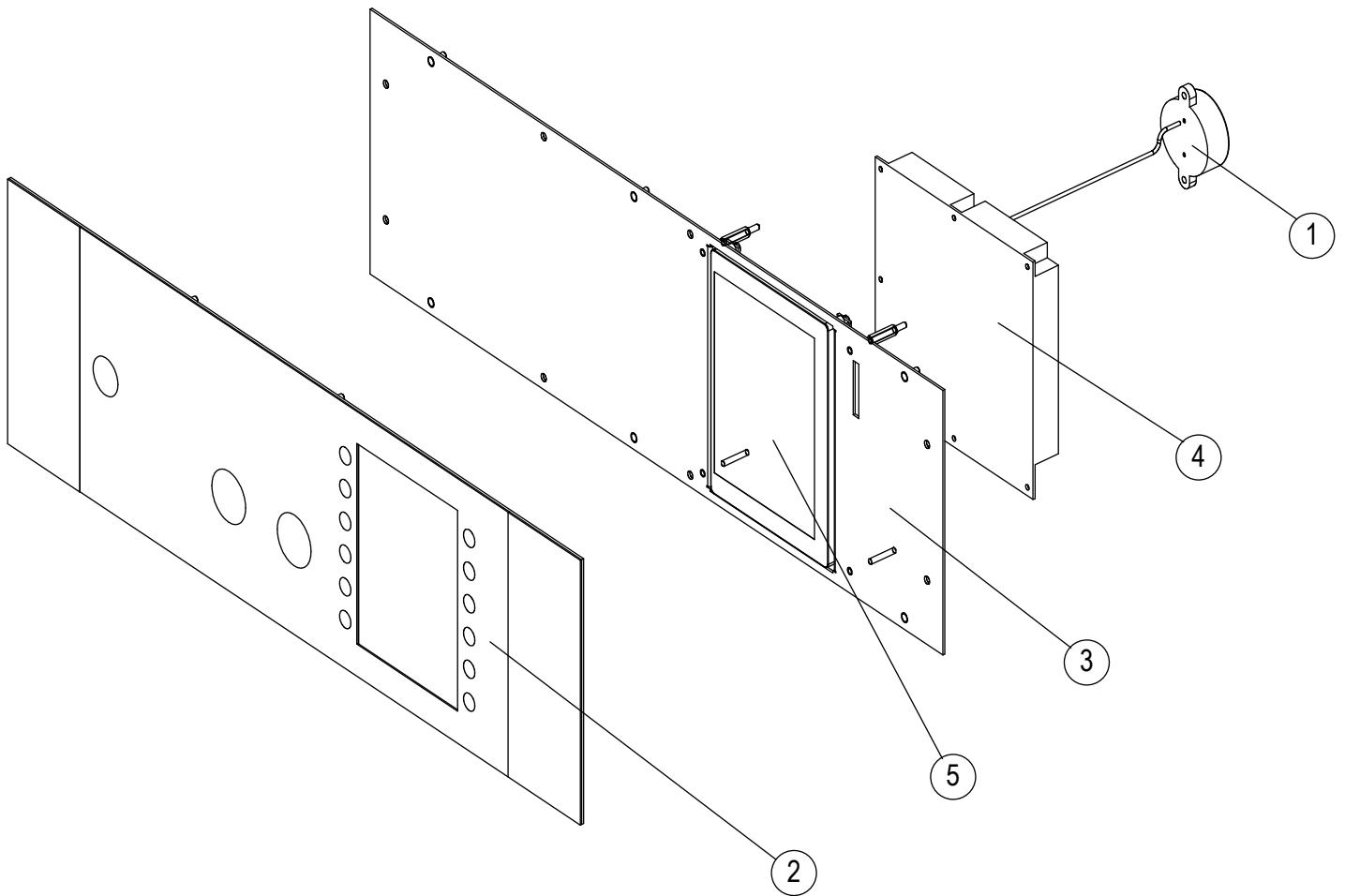


Ref. No.	Part No.	Description
1	60037	Screw CH M3 x 6
2	62288	Nut flange w Tothing M4
3	61725	Ribbon cable DB9 plug BCK controller
4	61029	Computer BCM CombiSlim
5	60342	Plastic brace for turn button
6	60344	Turn button
7	60086	Washer 3mm
8	62448	Abutment plate frame CS II
9	60582	Buzzer
10	60341	Encoder

Ref. No.	Part No.	Description
11	61727	Seal for Control Panel CS B/C/K
12	60338	Shaft, coupling Ø6/Ø6
13	62443	Abutment plate panel C model
13	60956	Abutment plate panel CSII C model
14	62444	Rear plate f keypad CSII BCK
	60956	Plate abutment BCM (red)
	61954	Plate abutment BCM CSII (black)
	61593	CS control gasket
	60341	Encoder

BLCP CONTROL PANEL

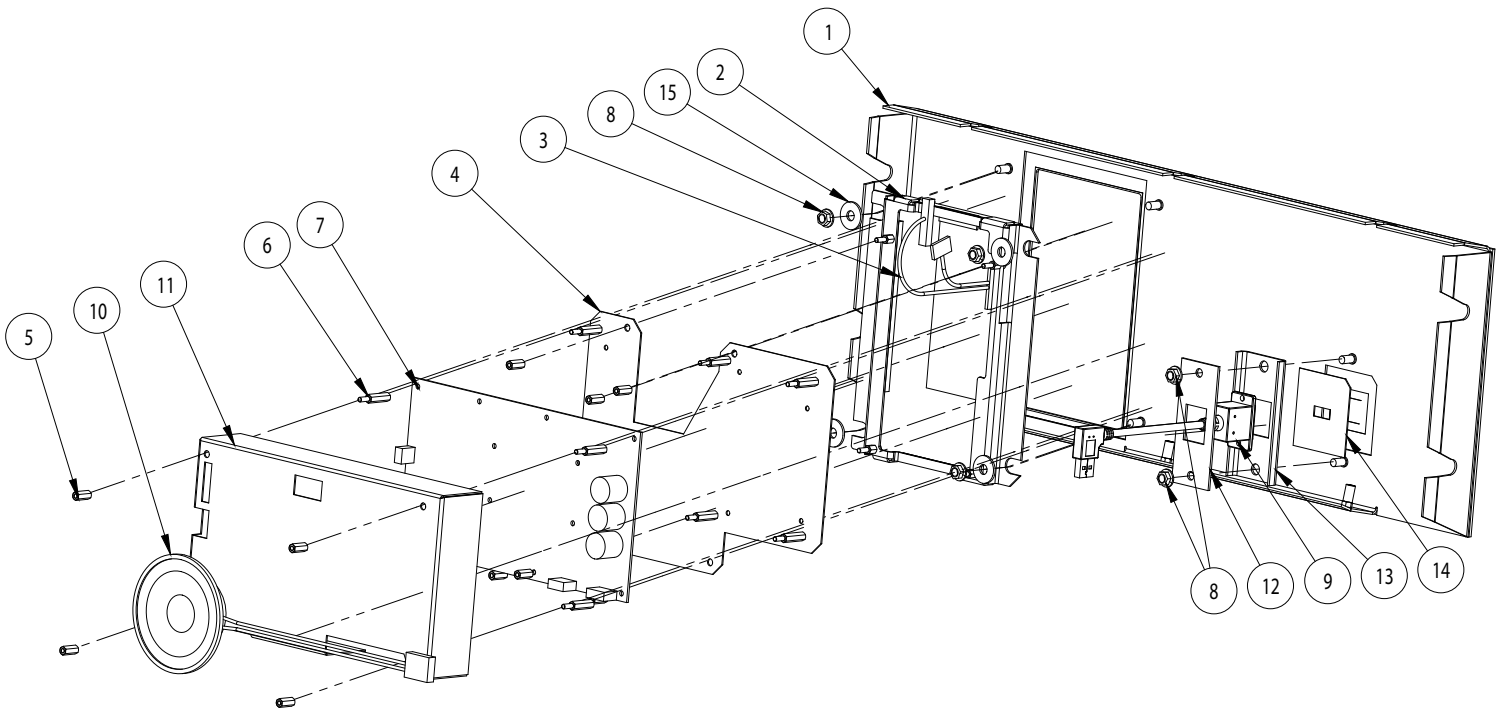
PROGRAMMABLE CONTROL OPTION



Ref. No.	Part No.	Description
1	60582	Buzzer
2	60955	Abutment plate w/operation panel Blodgett, BCP
3	62446	Display. back plate, CSI CPE
4	61028	CPU, BCP
5	61464	Display, 5.7" TFT

BLCT CONTROL PANEL WITH SIDE ACCESS

TOUCHSCREEN CONTROL OPTION FOR OVENS BUILT BEFORE 12/14/2022



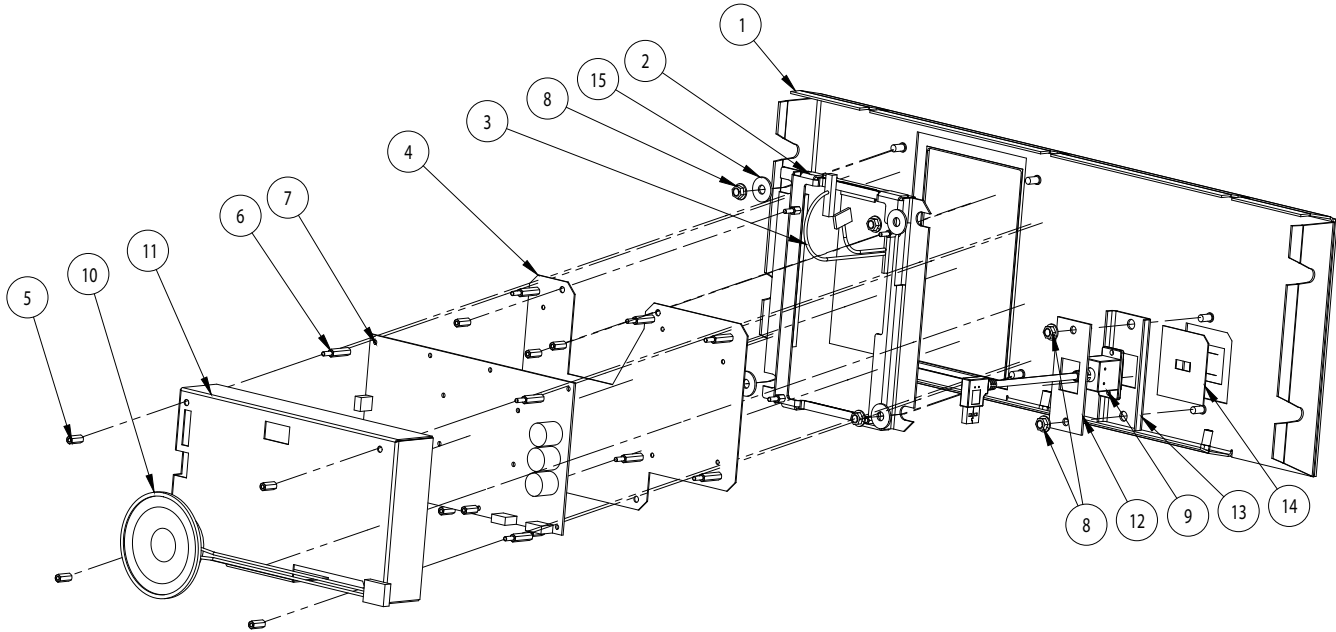
BLCT CONTROL PANEL WITH SIDE ACCESS

TOUCHSCREEN CONTROL OPTION FOR OVENS BUILT BEFORE 12/14/2022

Ref. No.	Part No.	Description	Ref. No.	Part No.	Description
1	61965	Touchscreen Control Panel	8	60563	M5 A2 W/ Flange, Serrated Nut
2	63618	Kit, Display w/USB & Mouse CSII REV 8+	9	62330	Right Angle CSII USB Cable
3	61827	Cable for 7" touch display	10	61804	Loud Speakers - 4 ohm
4	36020037	CPU Bracket	11	62255	TS control cover
5	60071	Hex Standoff M3 X 12	12	62665	USB Support Bracket
6	60591	Staybolt brass M3x18 with threaded pin	13	62666	USB Bracket
7	61838	CPU - Touchscreen Control (General Market)	14	62664	Magnet Plate
7	61449	CPU – Touchscreen Control (Burger King)	15	60090	6mm Washer
7	62237	CPU – Touchscreen Control (Burger King w/ Hoodini)	63595		CSII Touch display assembly, reinforced OL (Wendy's after 08/10/17, McDonalds after 11/14/18, Burger King after 01/24/19) Includes item 2-4
7	61533	CPU – Touchscreen Control (Wendy's)	62490		Keypad frame Cpl. f. CSII Blodgett BCT (Wendy's after 08/10/17, McDonalds after 11/14/19, Burger King after 01/24/19) Includes items 1
7	61859	CPU – Touchscreen Control (Wendy's CA)	62669		CSII Control panel, w/display and reinforced OL (for side access controls)
7	61820	CPU Touchscreen Control (Smithfield)	62673		CSII Control panel, w/display and reinforced OL (for side access controls) and software update
7	61927	CPU – Touchscreen Control (McDonald's 6)			
7	61928	CPU – Touchscreen Control (McDonald's 6 w/ Hoodini)			
7	62501	CPU - Touchscreen Control (Wendy's REOL after 08/10/17)			
7	62503	CPU - Touchscreen Control (Wendy's CA REOL after 08/10/17)			
7	62931	CPU - Touchscreen Control (Country Fair, 10 w/Hoodini)			
7	62793	Touchscreen Control (Burger King 6 with REOL after 01/24/19)			
7	62792	Touchscreen Control (Burger King 6 with Hoodini & REOL after 01/24/19)			
7	63480	CPU – Touchscreen Control (Wendy's w/ Hoodini)			

BLCT CONTROL PANEL WITH SIDE ACCESS

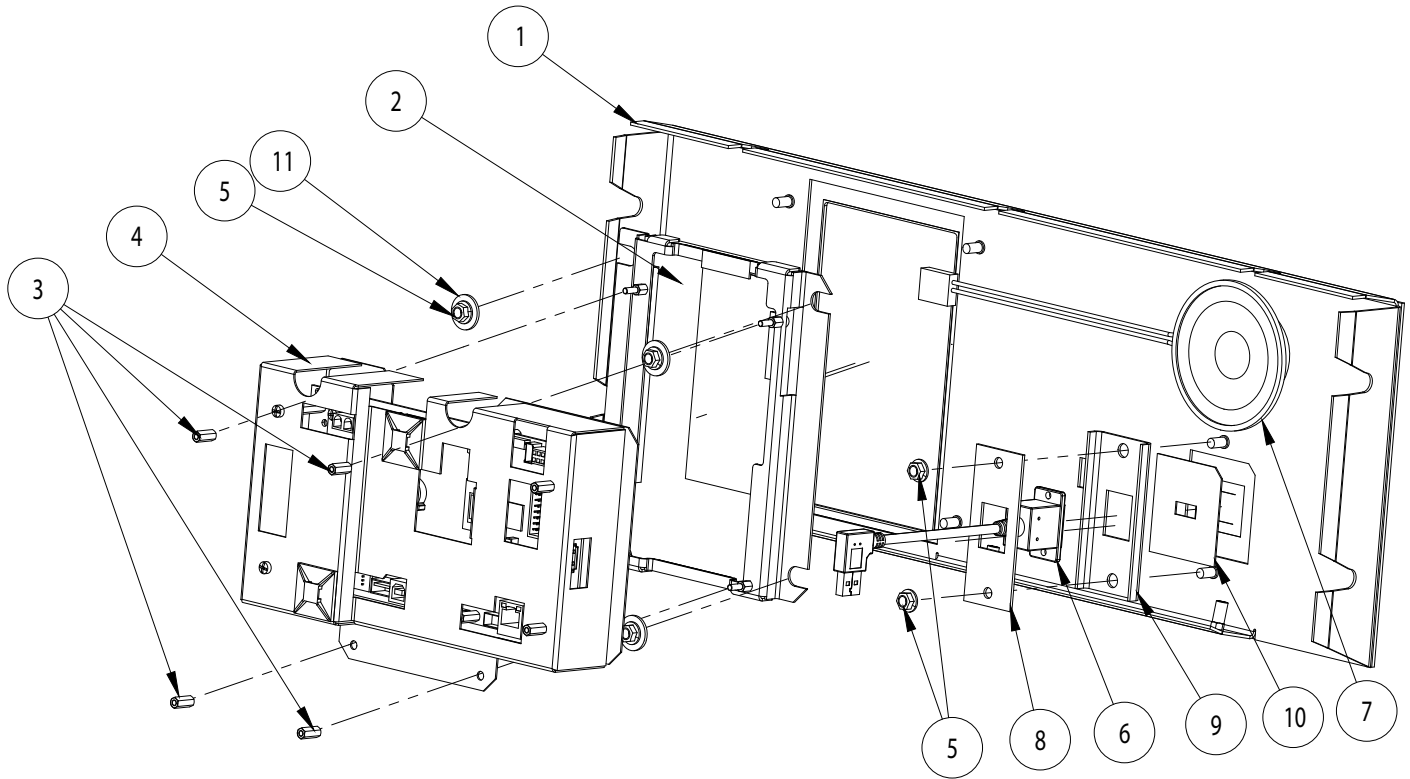
TOUCHSCREEN CONTROL OPTION FOR OVENS BUILT AFTER 12/13/2022 BUT BEFORE 7/17/2023 FOR BLCT6E AND BLCT10E AND BEFORE 7/21/2023 FOR BLCT6EH AND BLCT10EH



Ref. No.	Part No.	Description	Ref. No.	Part No.	Description
1	61965	Touchscreen Control Panel w/decal	7	62501	CPU - Touchscreen Control (Wendy's REOL after 08/10/17)
2	63591	Display Assy, CSII w/Brkt & HW Kit, Rev 8+	7	62503	CPU - Touchscreen Control (Wendy's CA REOL after 08/10/17)
3	61827	Cable for 7" touch display	7	62931	CPU - Touchscreen Control (Country Fair, 10 w/Hoodini)
4	36020037	CPU Bracket	7	62793	Touchscreen Control (Burger King 6 with REOL after 01/24/19)
5	60071	Hex Standoff M3 X 12	7	62792	Touchscreen Control (Burger King 6 with Hoodini & REOL after 01/24/19)
6	60591	Staybolt brass M3x18 with threaded pin	7	63480	CPU – Touchscreen Control (Wendy's w/ Hoodini)
7	61838	CPU - Touchscreen Control (General Market)	8	60563	M5 A2 W/ Flange, Serrated Nut
7	61449	CPU – Touchscreen Control (Burger King)	9	62330	Right Angle CSII USB Cable
7	62237	CPU – Touchscreen Control (Burger King w/ Hoodini)	10	61804	Loud Speakers - 4 ohm
7	61533	CPU – Touchscreen Control (Wendy's)	11	62255	TS control cover
7	61859	CPU – Touchscreen Control (Wendy's CA)	12	62665	USB Support Bracket
7	61820	CPU Touchscreen Control (Smithfield)	13	62666	USB Bracket
7	61927	CPU – Touchscreen Control (McDonald's 6)	14	62664	Magnet Plate
7	61928	CPU – Touchscreen Control (McDonald's 6 w/ Hoodini)	15	60090	6mm Washer

BLCT CONTROL PANEL WITH SIDE ACCESS

TOUCHSCREEN CONTROL OPTION FOR OVENS BUILT AFTER 7/16/2023 FOR BLCT6E AND BLCT10E AND AFTER 7/20/23 FOR BLCT6EH AND BLCT10EH
ENDING MAY 2025

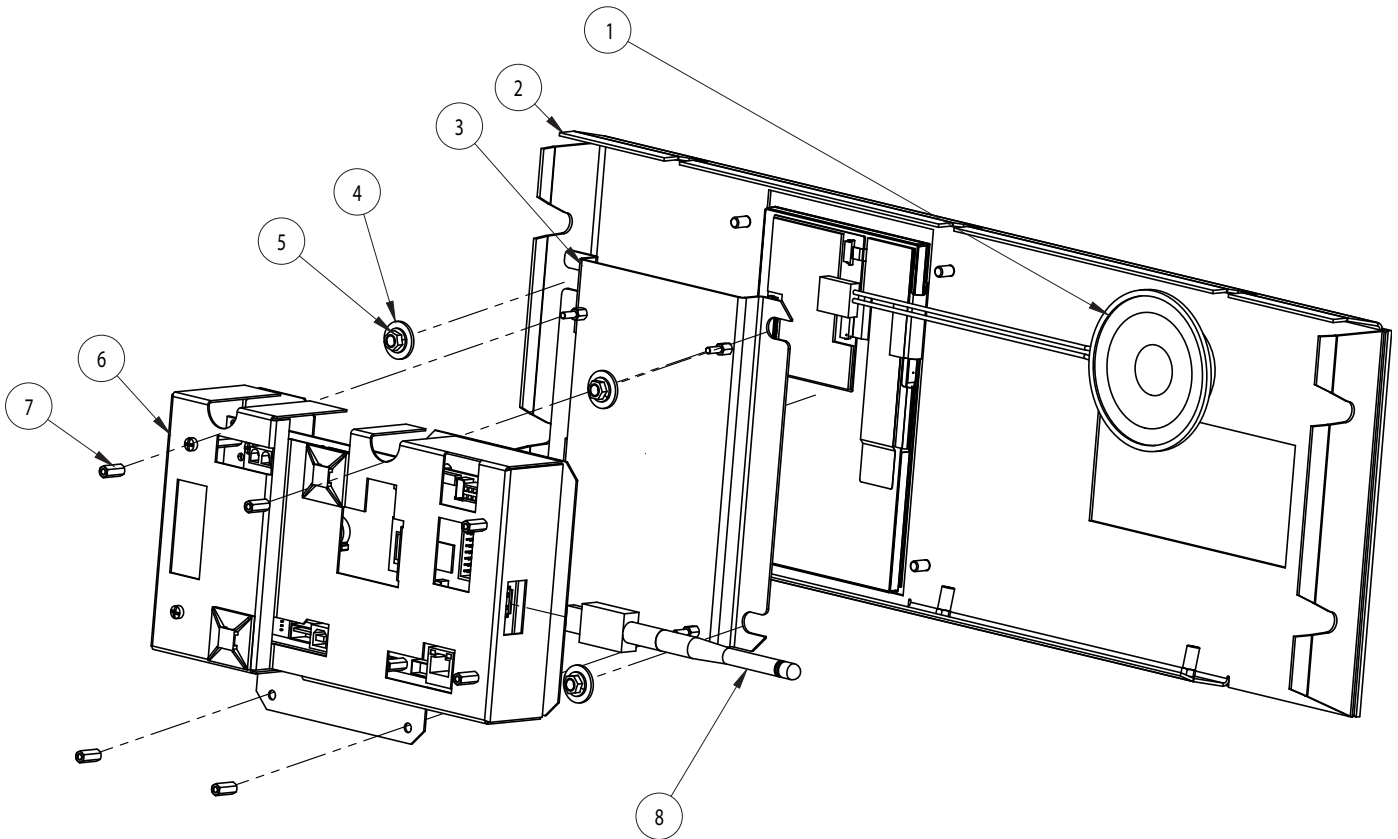


Ref. No.	Part No.	Description
1	61965	Touchscreen Control Panel w/decal
2	63656	7" Display Replacement Kit
3	60071	Hex Standoff M3 X 12
4	63616	KIT, VCUX CPU REPL, 6EH GM
4	63626	KIT, VCUX CPU REPL, 10EH GM
4	63627	KIT, VCUX CPU REPL, 6E W
4	63628	KIT, VCUX CPU REPL, 6E W CN
4	63629	KIT, VCUX CPU REPL, 6E W REOL
4	63630	KIT, VCUX CPU REPL, 6E W CN REOL
4	63631	KIT, VCUX CPU REPL, 6EH W REOL
4	63647	KIT, VCUX CPU REPL, 6E MCD
4	63648	KIT, VCUX CPU REPL, 6EH MCD
4	63649	KIT, VCUX CPU REPL, 6EH MCD REOL
4	63650	KIT, VCUX CPU REPL, 6E MCD REOL
4	63651	KIT, VCUX CPU REPL, 6E BK

Ref. No.	Part No.	Description
4	63652	KIT, VCUX CPU REPL, 6EH BK
4	63653	KIT, VCUX CPU REPL, 6EH BK REOL
4	63654	KIT, VCUX CPU REPL, 6E BK REOL
4	63770	KIT, VCUX CPU REPL, 6E COSMC
4	63771	KIT, VCUX CPU REPL, 6EH COSMC
5	60563	M5 A2 W/Flange with Serrated Nut
6	62330	Right Angle CSII USB Cable
7	61804	Loud Speaker - 4 OHM
8	62665	USB Support Bracket
9	62666	USB Bracket
10	62664	Magnet Plate
11	60090	6mm Washer

BLCT ONE TOUCH CONTROL PANEL WITH SIDE ACCESS

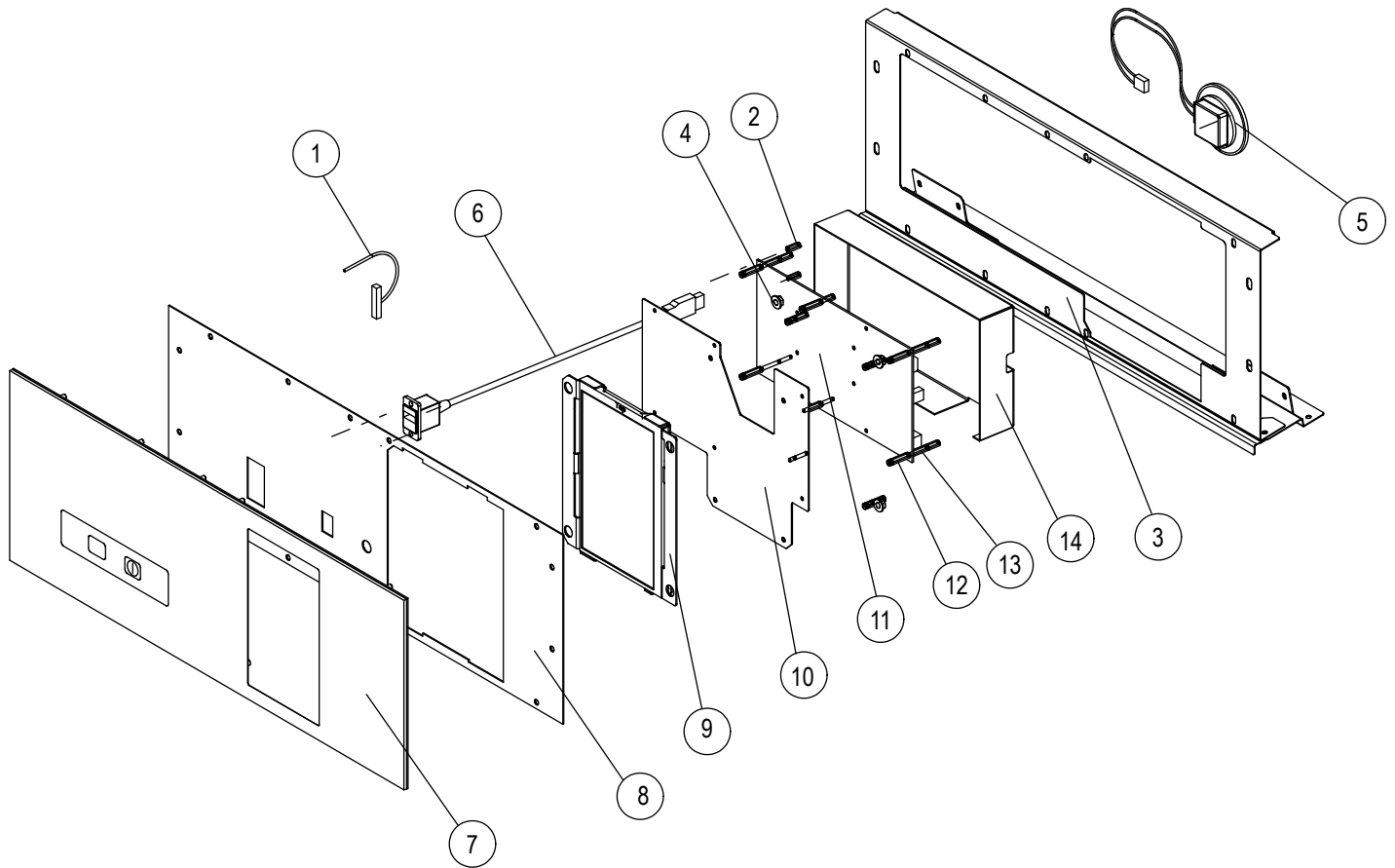
TOUCHSCREEN CONTROL OPTION FOR OVENS BUILT AFTER MAY 2025



Ref. No.	Part No.	Description	Ref. No.	Part No.	Description
1	61804	Loud Speaker - 4 OHM	6	63848	KIT, CSMUX CPU REPLACEMENT, 6E MCD
2	63678	CSMUX Glass and TS w/ Backing	6	63849	KIT, CSMUX CPU REPLACEMENT, 6EH MCD
3	63666	Touchscreen Bracket Assy, CSMUX	6	63850	KIT, CSMUX CPU REPLACEMENT, 6E BK
4	60090	6mm Washer	6	63851	KIT, CSMUX CPU REPLACEMENT, 6EH BK
5	60563	M5 A2 Nut w/ Serrated Flange	6	63852	KIT, CSMUX CPU REPLACEMENT, 6E COSMC
6	63840	KIT, CSMUX CPU REPLACEMENT, 6E GM	6	63853	KIT, CSMUX CPU REPLACEMENT, 6EH COSMC
6	63841	KIT, CSMUX CPU REPLACEMENT, 10E GM	7	60070	HEX STANDOFF M3X12
6	63842	KIT, CSMUX CPU REPLACEMENT, 6EH GM	8	H107160	WIFI DONGLE w/ ANTENNA
6	63843	KIT, CSMUX CPU REPLACEMENT, 10EH GM			
6	63844	KIT, CSMUX CPU REPLACEMENT, 6E W			
6	63845	KIT, CSMUX CPU REPLACEMENT, 6EH W			
6	63846	KIT, CSMUX CPU REPLACEMENT, 6E W CN			
6	63847	KIT, CSMUX CPU REPLACEMENT, 6EH W CN			

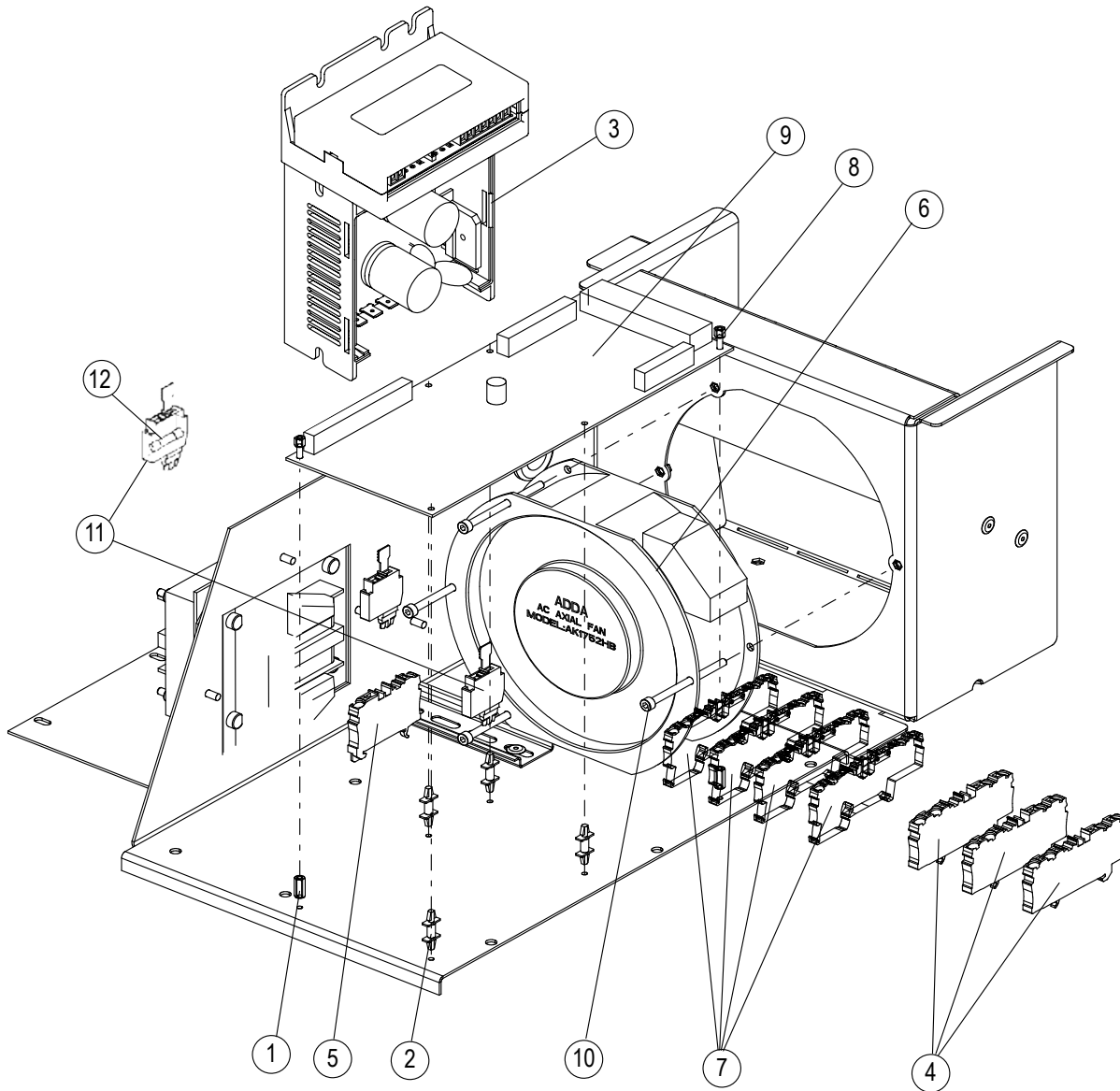
BLCT CONTROL PANEL WITHOUT SIDE ACCESS

“TOUCHSCREEN CONTROL OPTION”



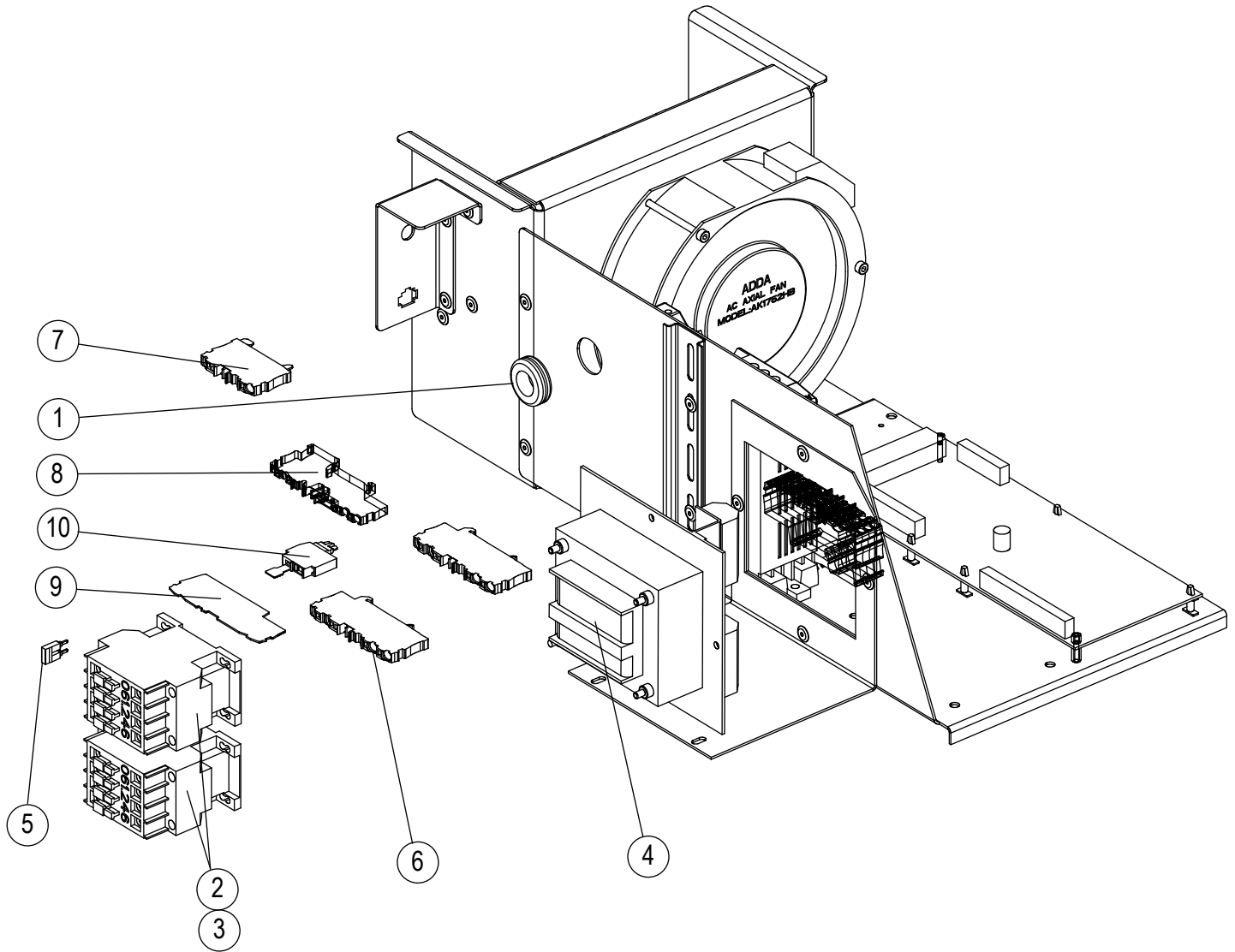
Ref. No.	Part No.	Description	Ref. No.	Part No.	Description
1	61827	Cable for 7" TFT touch display EDT Model 1	9	63618	Kit, Display w/USB & Mouse CSII REV 8+
2	62251	Distance tube M2.5 x 12	10	62257	Bracket f. computer CSII Touch
3	62450	Abutment plate frame CS II	11	61838	Computer SE touch
4	60563	Nut M5 A2 w/flange, serrated	12	60071	Distance tube M3 x 12
5	61804	Loud Speakers - 4 ohm	13	60551	Staybolt brass M3x18 with threaded pin
6	61723	USB connector chassis mounted	14	62255	CPU CSII cover plate
7	61776	Touch panel CSII B-C-K cpl			
8	61724	Gasket for touch cotrol CSII			

ELECTRICAL COMPONENTS (LEFT)



Ref. No.	Part No.	Description	Ref. No.	Part No.	Description
1	60071	Hex Spacer Nut, M3 x 12	9	62236	I/O-Board
2	60581	Circuit Board Retainer	10	62328	Socket Cap Screw M4x60
3	30800253	Variable Frequency Drive (VFD) KBVF-21D	11	62299	Fuse Holder
3	63012	Conversion Kit, ABB to KBVF-21D with VFD	12	60925	One 3.15A Fuse (F1, F3)
4	62292	Terminal Block 4 conductor, Blue	12	61612	Two 3.15A Fuses (F1, F3)
5	62295	Terminal Block 2 conductor, Yellow/Green	12	61613	Two 2A Fuses (F2)
6	62296	Cooling Fan	12	61614	Two 5A Fuses (F4)
7	62297	Fuse Block 4 conductor, Gray	12	61615	Two 8A Fuses (F5)
8	62253	Hex Standoff Bolt M3			

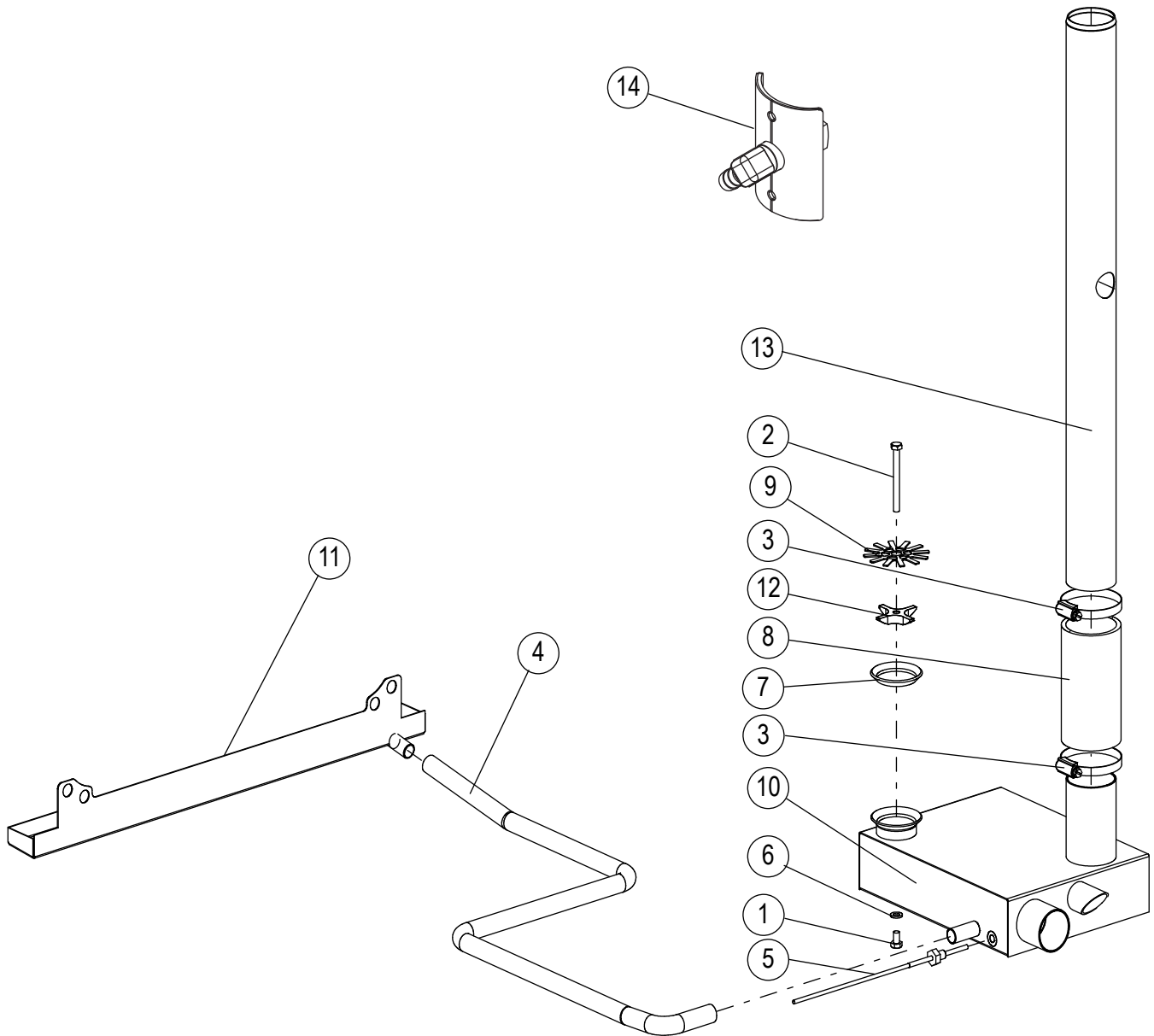
ELECTRICAL COMPONENTS (RIGHT)



Ref. No.	Part No.	Description
1	60141	Cable Grommet 22mm
2	63898	Kit, CS Contactor (MAIN)
3	63899	Kit, CS Contactor (HEAT)
4	62291	Transformer, 200-240/2X24
4	62400	Transformer, 400-480/2X24
5	62293	Jumper
6	62294	Terminal Block 4 conductor, Blue
7	62295	Terminal Block 2 conductor, Yellow/Green

Ref. No.	Part No.	Description
8	62297	Fuse Block 4 conductor, Gray
9	62298	End Cover, Gray
10	62299	Fuse Holder
NS	30800097	Wiring Harness CS

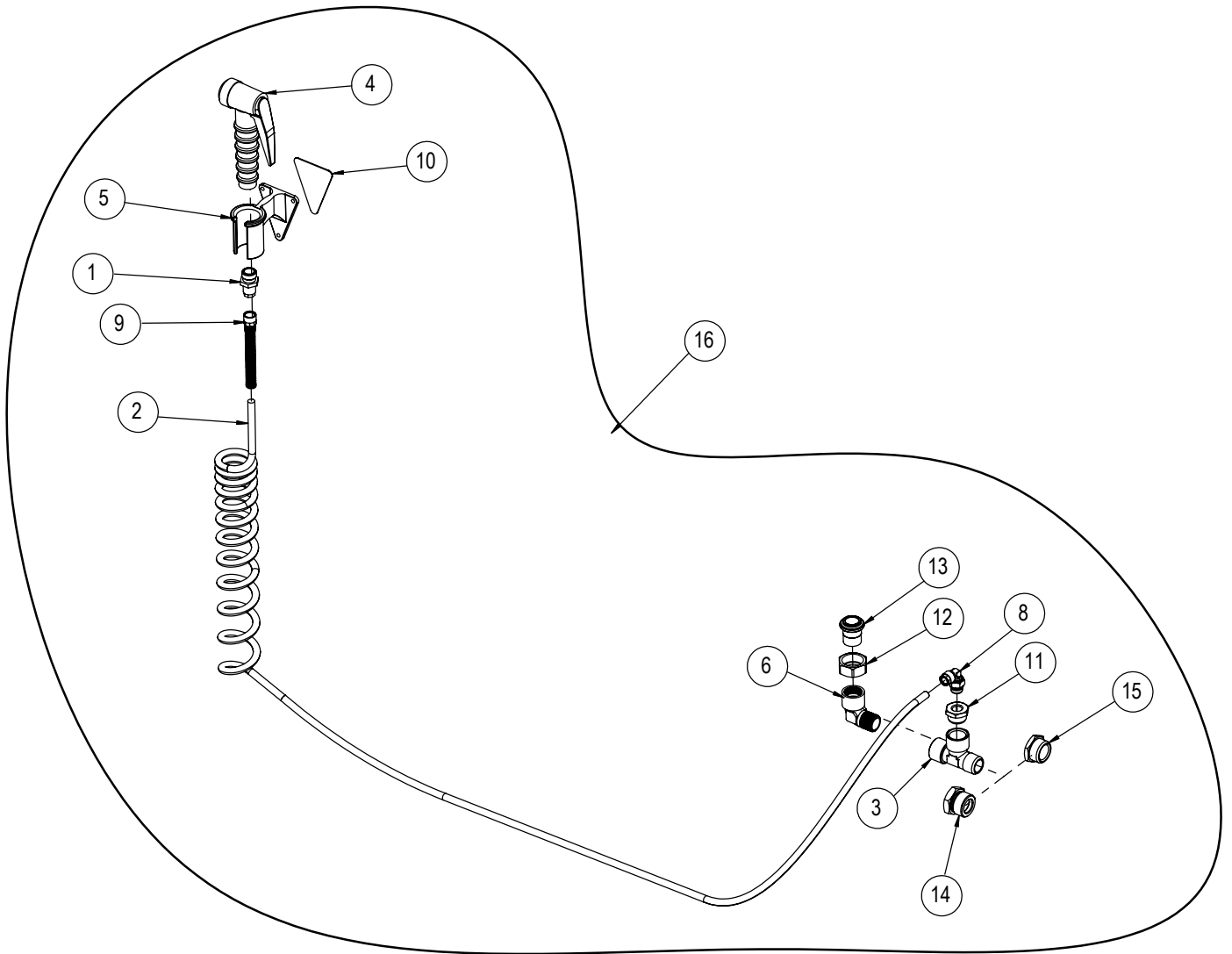
DRAIN



Ref. No.	Part No.	Description
1	62276	Screw, set M6 x 10
2	63396	Screw, M6 x 60 A2
3	60910	Hose clamp, Ø46-Ø64
4	60187	Hose for drain Drip tray
5	60334	Condensing Sensor
6	60088	Washer, 6mm
7	61732	Gasket for drainbox CS
8	61565	Hose blue Ø50 (Sold by inch)
8	62487	Hose for damper valve (blue) 220MM / 9", 2/3 & 6

Ref. No.	Part No.	Description
8	62278	Hose for damper valve (blue) 110MM / 13", 10
9	61733	Drain Siv CS
10	62259	Drain box, Non-Hoodini
10	40510002	Drain Box, Hoodini
11	40310002	Drip tray, CS
12	62280	Mounting bracket for CS drain
13	61730	Tube, CS 2/3 & 6 pan
13	61731	Tube, CS 10 pan
14	62824	Kit, quench nozzle bracket & fitting

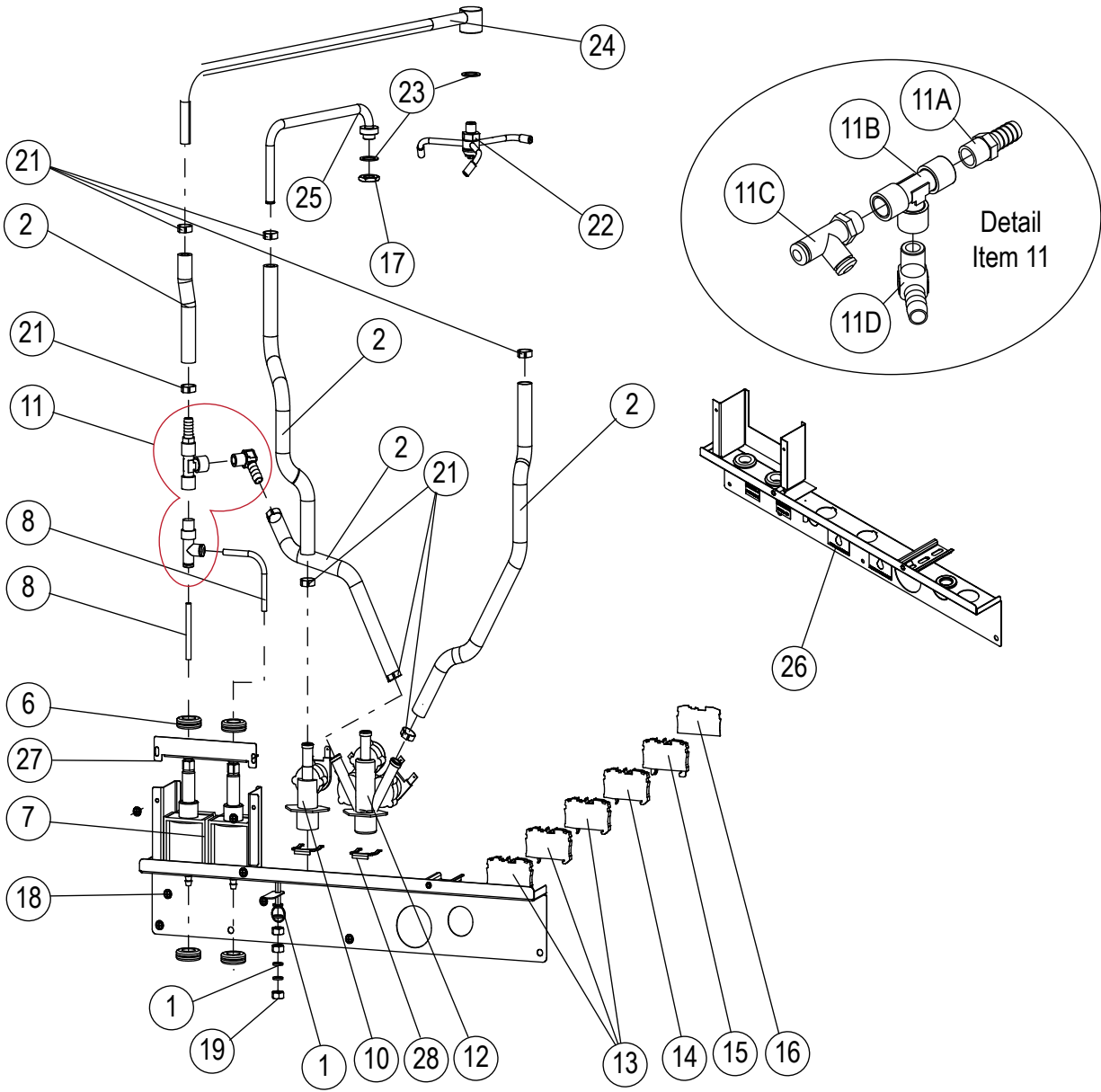
HANDSHOWER



Ref. No.	Part No.	Description
1	61598	Quick coupling strait 3/8"xØ8/Ø6
2	61601	Hose
3	61604	T-connector for hand shower 1/2"
4	60121	Hand shower
5	61544	Holder for handshower CS
6	61602	Coupling, elbow 90 x 1/2"
8	63406	Swivel 90* 8MM X 1/4 BST
9	61600	Spring for spray gun

Ref. No.	Part No.	Description
10	63414	Double stick tape
11	63408	Nipple reducer
12	63412	Nut
13	63411	Threaded pin
14	61597	Adapter, EU
15	61599	Adapter, US
16	61606	Hand shower cpl CS

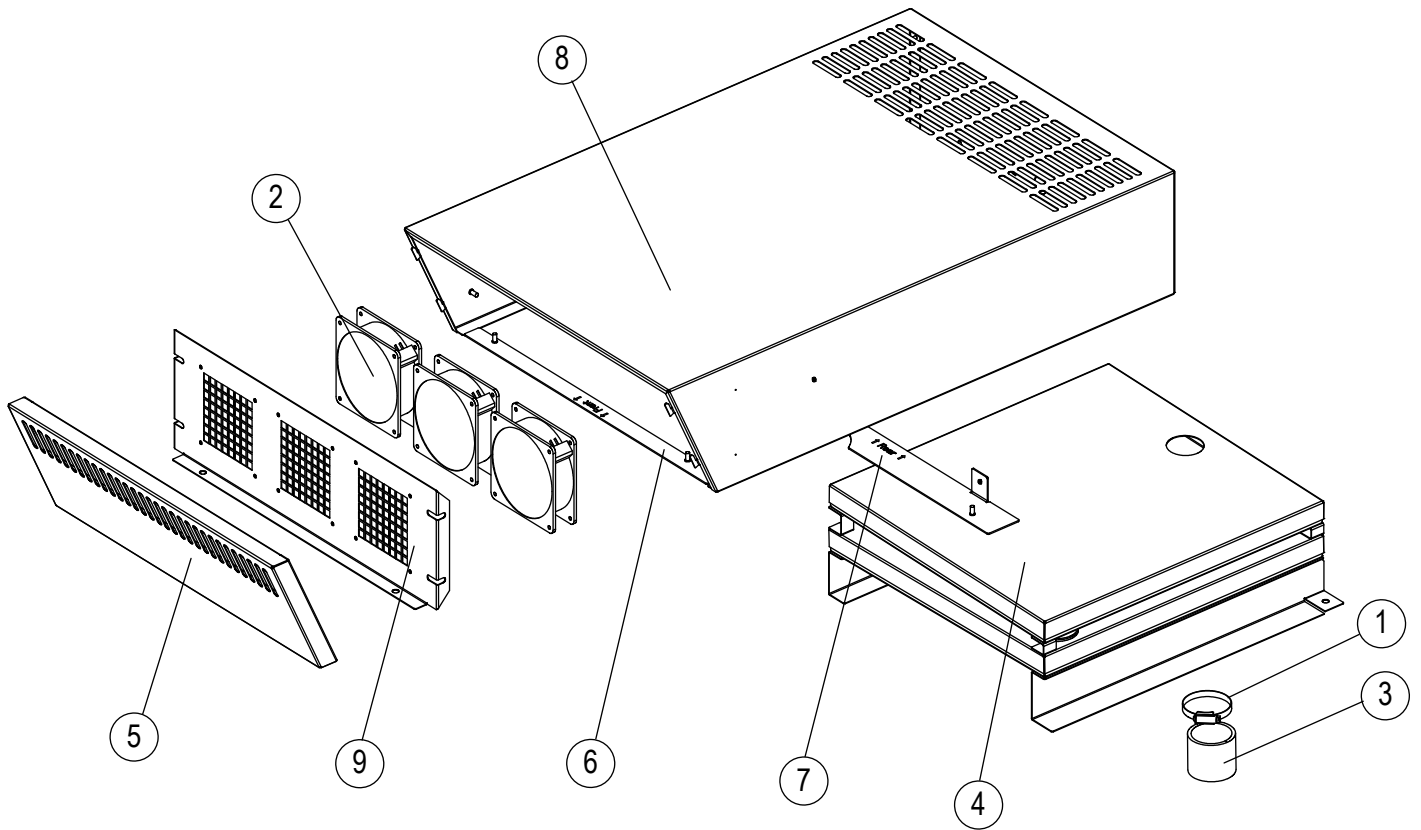
CLEANING SYSTEM



CLEANING SYSTEM

Ref. No.	Part No.	Description	Ref. No.	Part No.	Description
1	69123	Washer, spring 6mm	24	61933	Tube for washarm, 2/3 pan CS
2	60929	Silicon hose Ø10x17 mm (sold by the foot)	24	62243	Tube for washarm, 6 & 10 pan CS
6	60141	Grommet Ø16/Ø22x1.5	25	62244	Injection steam tube
7	20500050	Pump for detergent/rinse aid, 24 V	26	62245	Plate f singel and double water connection
8	62239	Hose PVDF Flex Ø6xØ4 Red (sold by the inch)	27	36000028	Fixing brackets for dosing pumps CS
10	60917	Solenoid valve 1-way/1 coil	28	60539	Plastic clip for solenoid valve
10	61572	Solenoid valve 2-way, 2 coil 1,2 L		62276	Hexagon screw M6X10 A2
11	62451	Fitting, washt	62811		Water Pressure Switch (Not Shown)
11A	61562	Water connection, 1/4 BSP		60535	Manifold 3/4"-2 Valves
11B	61563	T-piece, 1/4 BSP		61136	Combi wash lines
11C	60111	Tee 6mm to 1/4 BSP		61898	Combi wash lines with labels (Wendy's)
11D	60113	Elbow, water connection 1/4 BSP		60112	Quick action coupling (Not Shown)
12	61869	Solenoid valve 3-way w/2 coils			
12	61571	Solenoid valve 4-way, w/3 coils			
12	60825	Solenoid valve, 3 way 2 coil w/limit, EU			
13	62331	Terminal block 6 Q, 2 pins grey			
14	62332	Terminal block 6 Q, 2 pins blue			
15	62333	Terminal block 6 Q, 2 pins yellow/green			
16	62486	S Endcover 6 Q, 2 leader			
17	62240	Nut M14 A2 low CSII			
18	61968	Screw PH M4x10			
19	67917	Nut M6			
20	60088	Washer 6mm			
21	61333	Clip Ø10 - 16 mm			
22	62241	Washing Arms cpl. 2016			
23	62975	Copper washer Ø22xØ15X1mm			

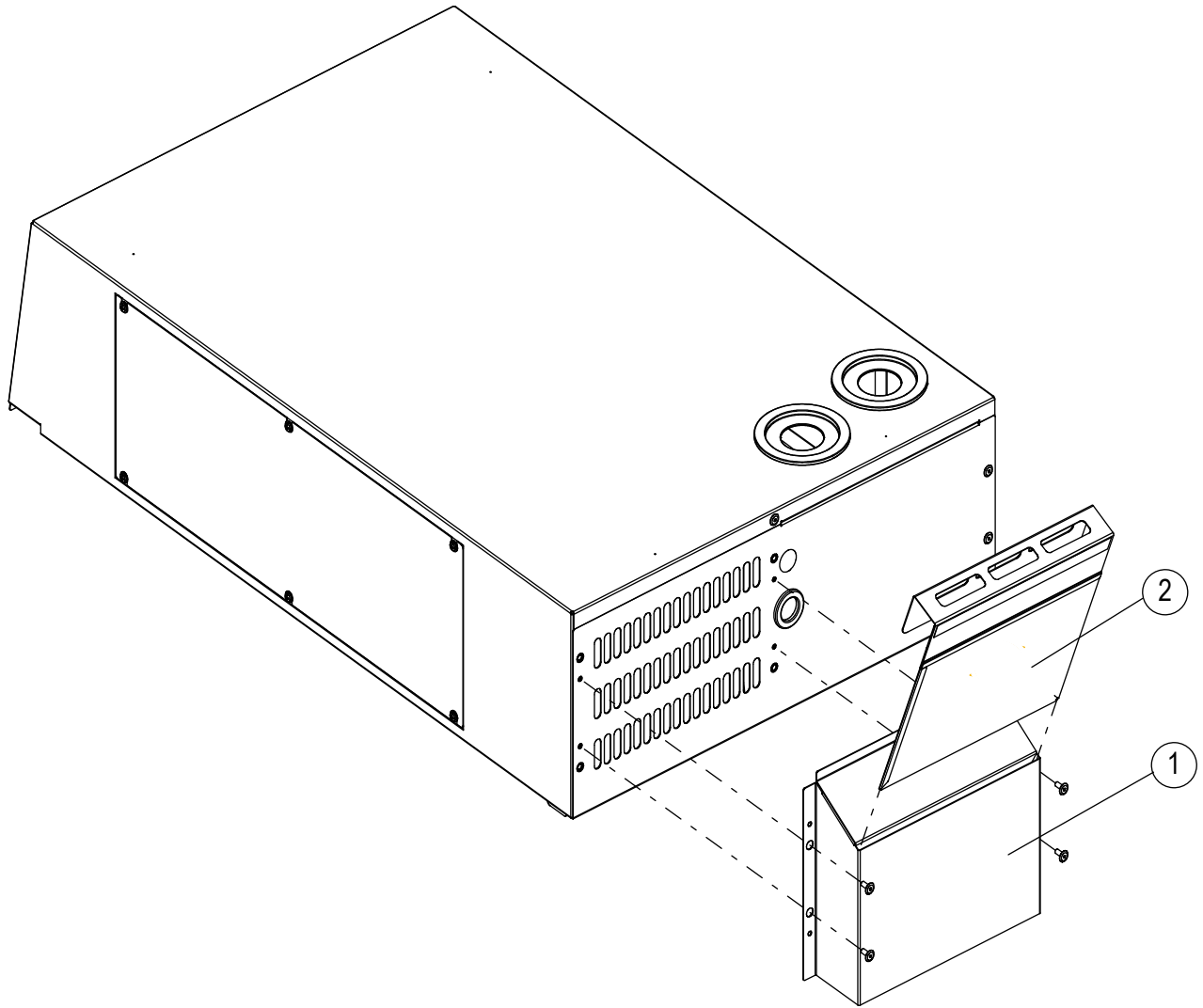
EXTRACTION HOOD



Ref. No.	Part No.	Description
1	60910	Hose clamp Ø46-Ø64
2	60124	Cooling fan
3	61565	Hose for steam Blue Ø50,8x4,5 L50mm
4	61549	Condenser with console CS
5	62401	Filter panel CS

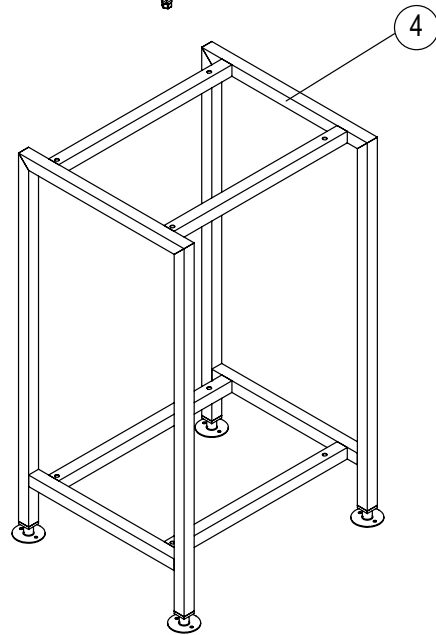
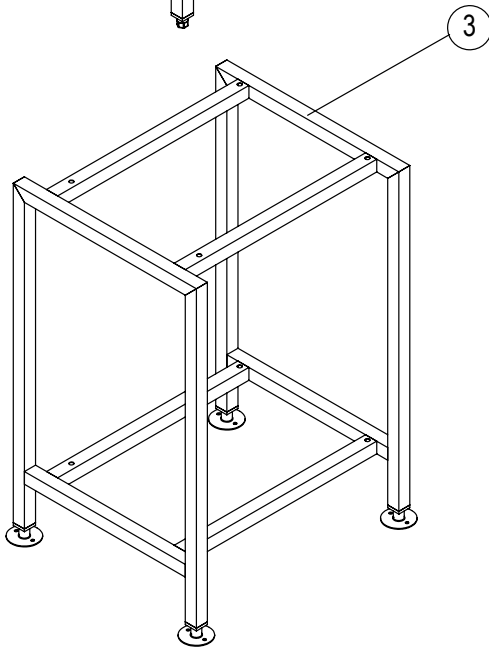
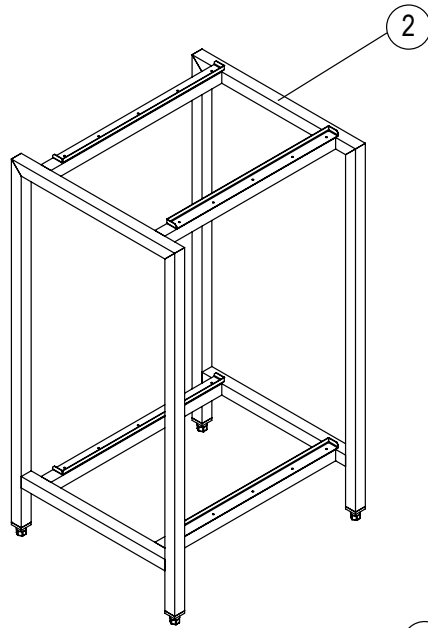
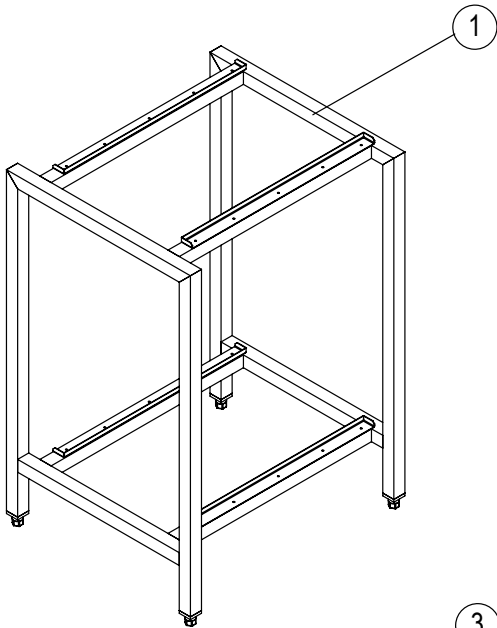
Ref. No.	Part No.	Description
6	62402	Mounting bracket front CS
7	62403	Mounting Bracket rear CS
8	62404	Condensation hood housing CSII 6 & 10 pan
9	62405	Bracket for cooling fans

AIR INTAKE FILTER



Ref. No.	Part No.	Description
1	62286	Filter housing CSII
2	62287	Filter for air intake. CSII

STANDS



Ref. No.	Part No.	Description
1	62654	Stand with standard feet for BLCT-6-6E
2	62655	Stand with standard feet for BLCT-6-10E
3	63522	Stand with seismic bolt down feet for BLCT-6-6E
4	63525	Stand with seismic bold down feet for BLCT-6-10E