



**CTB XCEL & CTBR XCEL
ELECTRIC CONVECTION OVENS
REPLACEMENT PARTS LIST**

EFFECTIVE OCTOBER 13, 2013

Superseding All Previous Parts Lists.

The Company reserves the right to make substitution in the event that items specified are not available.
ERRORS: Descriptive and/or typographic errors are subject to correction.

BLODGETT OVEN COMPANY

44 Lakeside Avenue, Burlington, Vermont 05401 USA Telephone: (802) 658-6600 Fax: (802) 860-3732
www.blodgett.com

P/N 56684 Rev C

SERIAL NUMBER LOCATION / KEY:

IMPORTANT: When ordering parts, please provide the model, gas type and serial number of the oven. The identification plate is located behind the controls and, also, above the control panel under the ledge.

SERIAL NUMBER IDENTIFICATION CODE:

BX - CTB XCEL

SERIAL NUMBER EXAMPLES

010713BX001T

01/07/13 = DATE

BX = LETTER CODE FOR MODEL NAME

001 = FACTORY SEQUENCE

TO OBTAIN LITERATURE:

Email: literature@blodgett.com

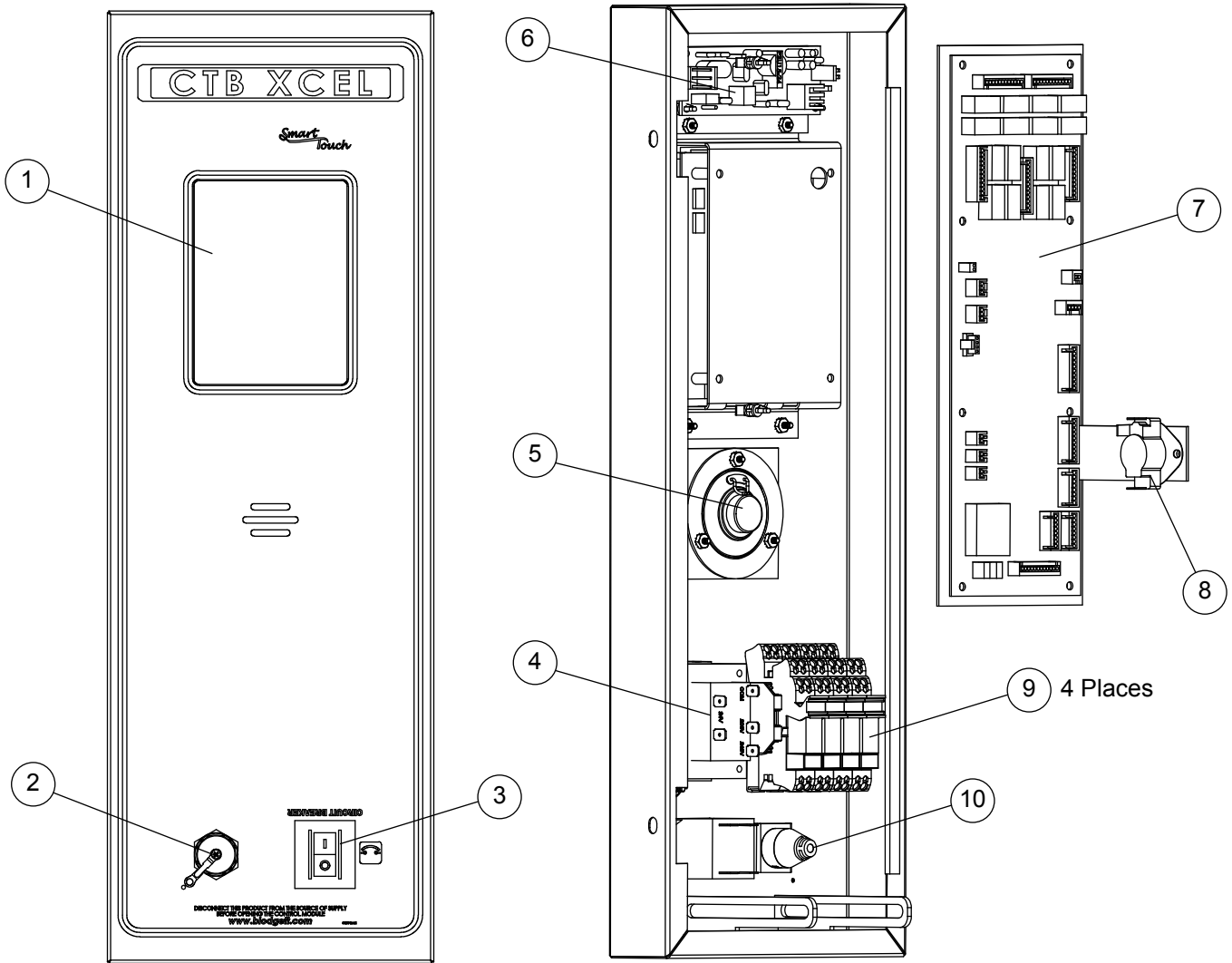
or visit

www.blodgett.com

TABLE OF CONTENTS

SMART TOUCH CONTROLS.....	4
IQ CONTROL.....	5
MISC ELECTRICAL.....	6
DOOR COMPONENTS	7
INTERIOR/EXTERIOR PARTS.....	8
STANDS, LEGS & CASTERS	9

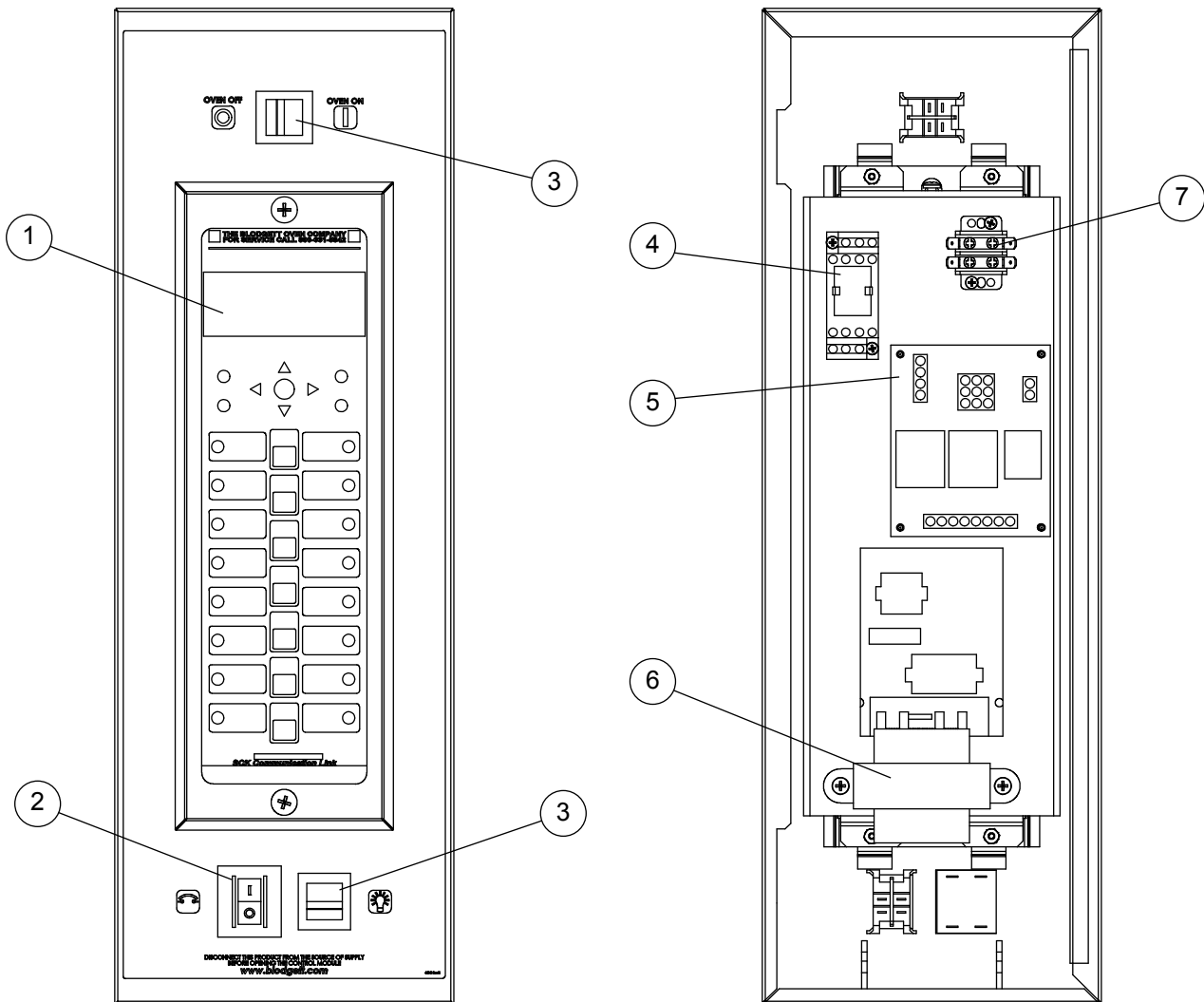
SMART TOUCH CONTROLS



Ref. No.	Part No.	Description
1	55969	Smart Touch Control, CTB XCEL, before 11/8/13
	57740	Smart Touch Control, CTB XCEL, after 11/8/13
2	52161	USB Port Cover
3	39688	Circuit Breaker, 20A
4	52948	Transformer, 208/240 - 24V
5	53219	Speaker
6	54604	Power Supply, 15W, 24V
7	53206	Relay Board, before 11/8/13
	57727	Relay Board, after 11/8/13
8	36755	Thermal Switch
9	38604	Relay, DPDT, 24VDC
10	52647	USB Cable
	52926	USB Flash Drive
	34473	Cavity Probe, RTD 1000 OHM

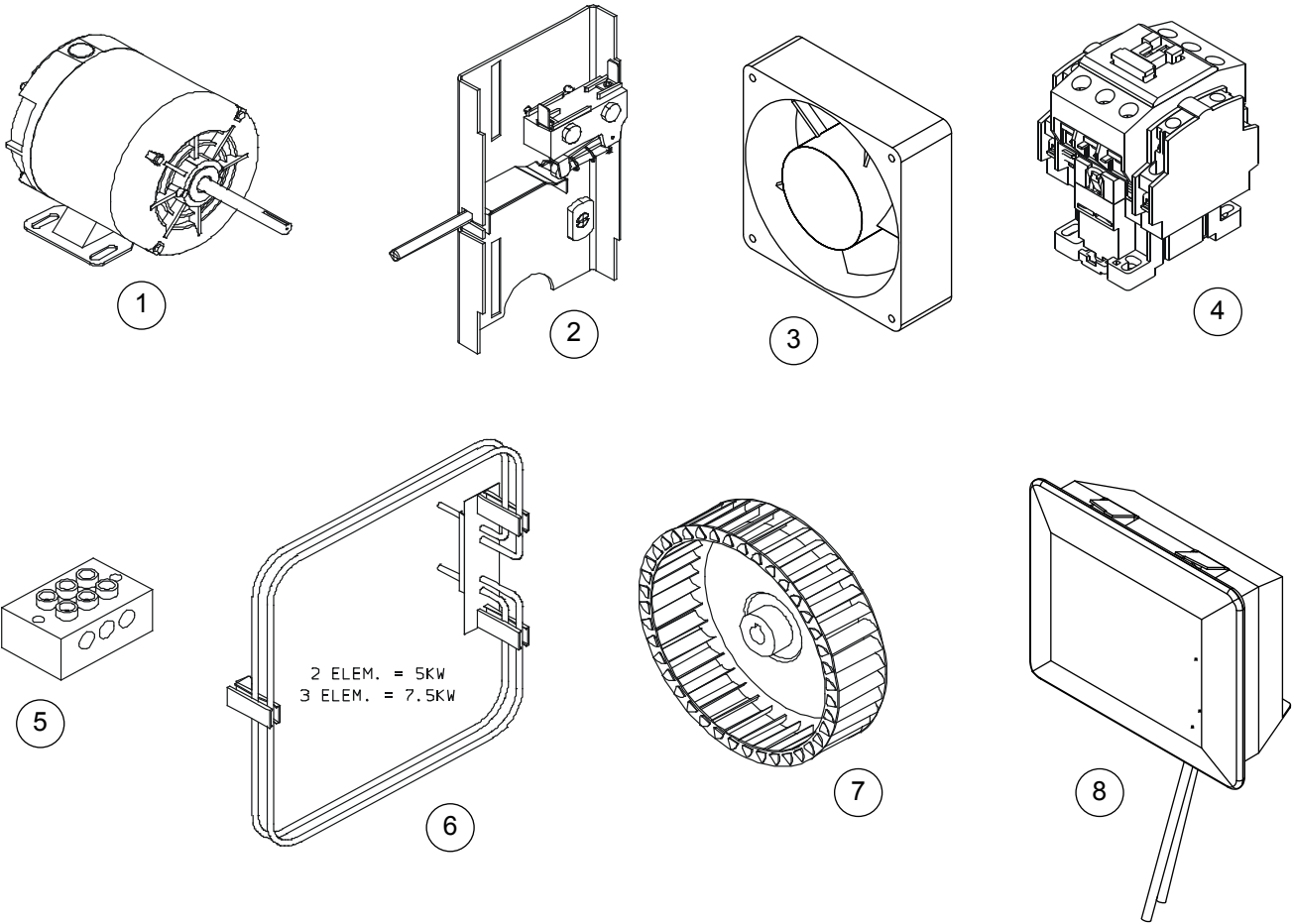
IQ CONTROL

(EXCLUSIVE FOR WENDY'S)



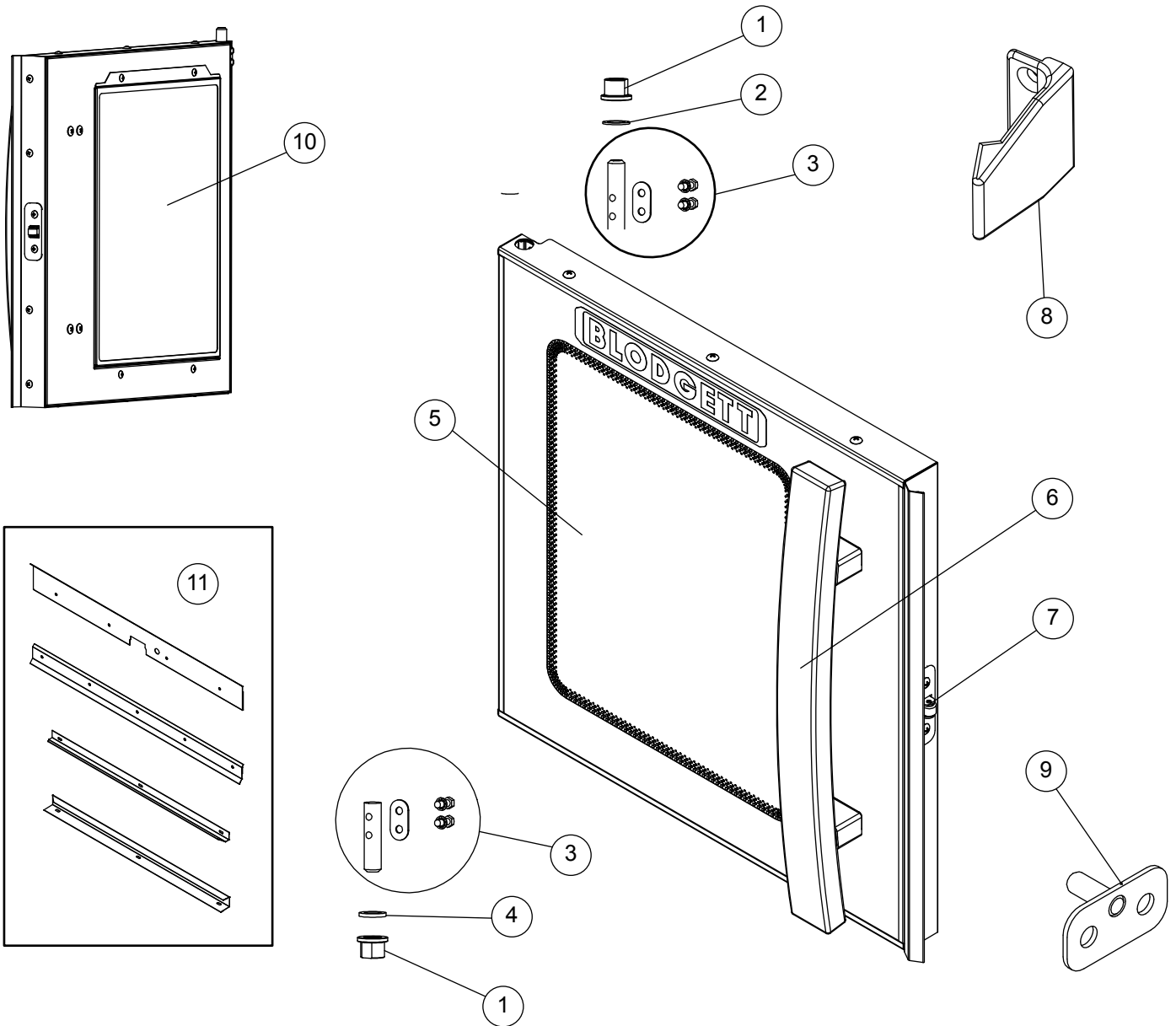
Ref. No.	Part No.	Description
1	54928	Control, Wendy's w/Black Decal (English)
	56982	Control, Wendy's w/Black Decal (French)
2	39688	Circuit Breaker, 20A
3	19619	Rocker Switch, DPST
4	33902	Logic Relay
	33922	Relay Socket
5	33073	Relay Board
6	24356	Transformer, 208-24 VAC
7	M0593	Terminal Block
	33074	Cavity Probe, RTD, 1000 OHM
	39055	Gasket, Control Bezel

MISC. ELECTRICAL



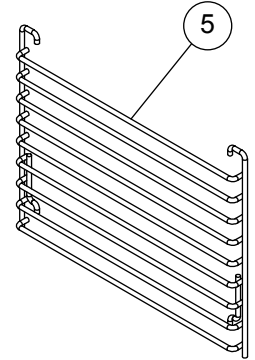
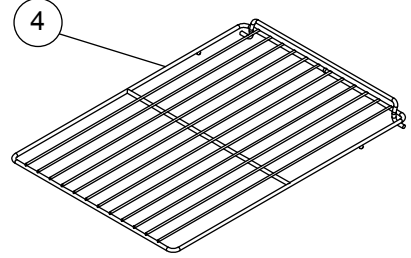
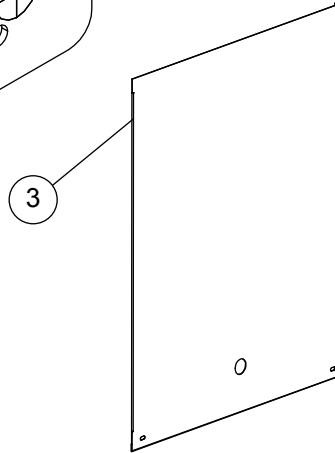
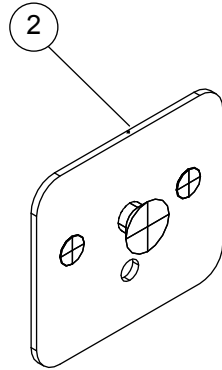
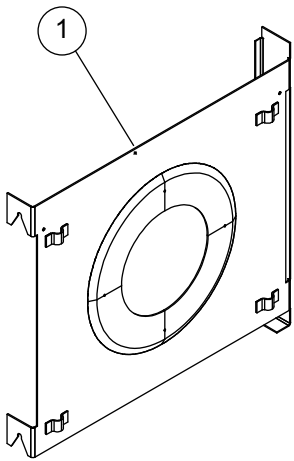
Ref. No.	Part No.	Description
1	34450	Motor, 2 Speed w/Switch
	10944	Shaft Key
2	33946	Door Switch Assembly
3	23034	Fan, 4", 230V
	M0572	Fan Cord
4	R11087	Contactora, 40A, 3 Pole, 240V
5	11204	Terminal Block
6	19118	Element, 208V, 5 kW
	19284	Element, 208V, 7.5 kW
	8595	Element, 240V, 5 kW
	16603	Element, 240V, 7.5 kW
	37227	Element Harness, 5.0 kW (2 element)
	16647	Element Harness, 7.5 kW (3 element)
7	6138	Blower Wheel w/Key
8	57058	Halogen Lamp Assy. (includes Lens & Bulb)
	D0128	Halogen Bulb, 12V, 20W, type G4 .16" between pins, oven manufactured before 6/1/13
	57075	Halogen bulb, 12V, 20W, type G5.3 .21" between pins, oven manufactured before 6/1/13
	57075	Halogen bulb, 12V, 20W, type G5.3 .21" between pins, oven manufactured after 6/1/13

DOOR COMPONENTS



Ref. No.	Part No.	Description
1	90004	Door Bushing (Set of 2)
2	4743	Door Washer
3	8594	Door Pin & Hardware
4	15933	Door Washer
5	55040	Glass Door Front
6	54570	Door Handle
7	55523	Door Handle Grommet
8	17946	Roller Catch
9	17865	Door Latch
10	34524	Door Switch Activator
11	54580	Inner Glass Assembly
	55695	Inner Glass Gasket (Between Door and Inner Glass)
	54849	Door Gasket Set

INTERIOR/EXTERIOR PARTS



Ref. No.	Part No.	Description
1	35972	Baffle w/Mounting Brackets
2	34935	Baffle Brackets (Set of 2)
3	55717	Bodyside, RH
	55261	Bodyside, LH
4	22637	Wire Rack
5	31311	Rack Support (Set of 2)
	8585	Steam Vent, Single
	90092	Steam Vent, Double

STANDS, LEGS & CASTERS

Ref. No.	Part No.	Description
	11993	Stand, 5-3/4" Stainless w/ Feet
	10857	Stand, 7" Stainless w/ Feet
	18479	Stand, 16" Stainless w/ Shelf
	10856	Stand, 19" Stainless w/ Shelf
	10855	Stand, 24" Stainless w/ Shelf
	10854	Stand, 33" Stainless w/ Shelf
	18482	Stand, 16" Stainless w/ Shelf & Casters
	11437	Stand, 19" Stainless w/ Shelf & Casters
	15151	Stand, 24" Stainless w/ Shelf & Casters
	15153	Stand, 33" Stainless w/ Shelf & Casters
	30028	Stand, 33" Stainless w/Feet and Rack
	36601	33" Stand with Casters and Rack Guides
	20435	Legs, 4" w/ Bolts,S/S (Set of 4)
	20497	Shelf for Stand, S/S w/hardware
	16002	Castors (Set of 4)
	36874	24" Open Stand w/Rack Supports and feet
	36875	24" Open Stand w/Rack Supports and Casters
	25126	Stand, 7" Stainless w/ Casters