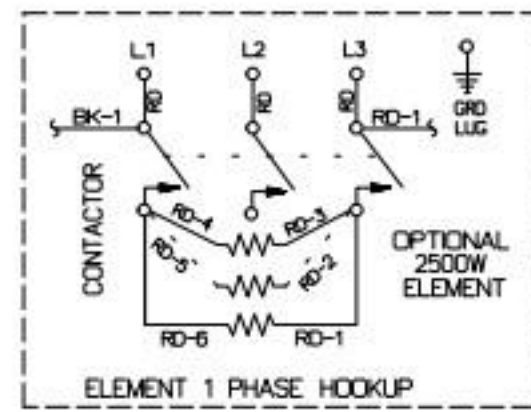


### SELECTOR SWITCH

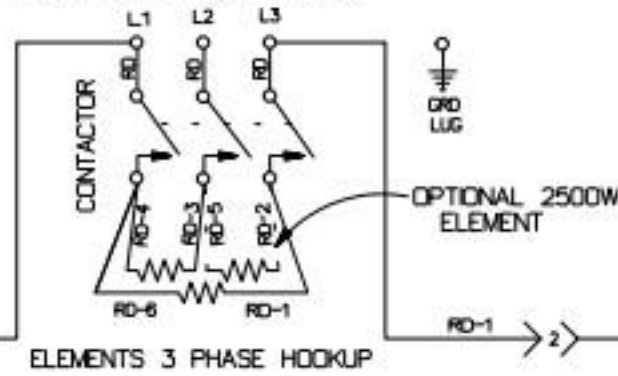
POSITION	L1-1	L1-4	N-2	N-3
OFF	0	0	0	0
COOK	X	0	X	0

### SELECTOR SWITCH

POSITION	1-2	1-4
OFF	0	0
TIMING	X	0
BUZZER SOUNDS TIMING CYCLE ENDS	0	X



### POWER SUPPLY CONNECTIONS

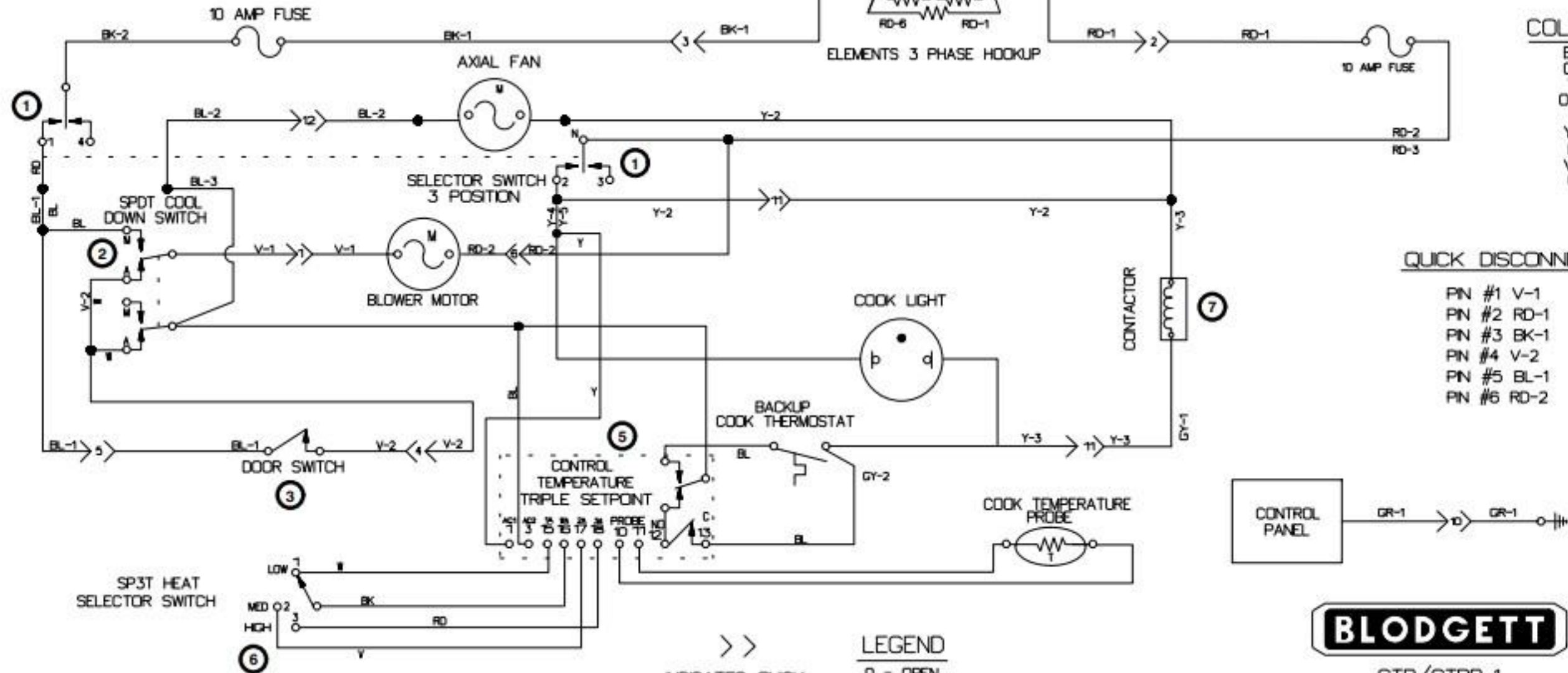


### COLOR CODE

BK-BLACK  
GR-GREEN  
W-WHITE  
OR-ORANGE  
RD-RED  
Y-YELLOW  
BL-BLUE  
V-VIOLET  
GY-GRAY

### QUICK DISCONNECT PIN/WIRE ID.

PIN #1	V-1	PIN #7	GY-1
PIN #2	RD-1	PIN #8	Y-1
PIN #3	BK-1	PIN #9	OR-1
PIN #4	V-2	PIN #10	GR-1
PIN #5	BL-1	PIN #11	Y-2
PIN #6	RD-2	PIN #12	BL-2



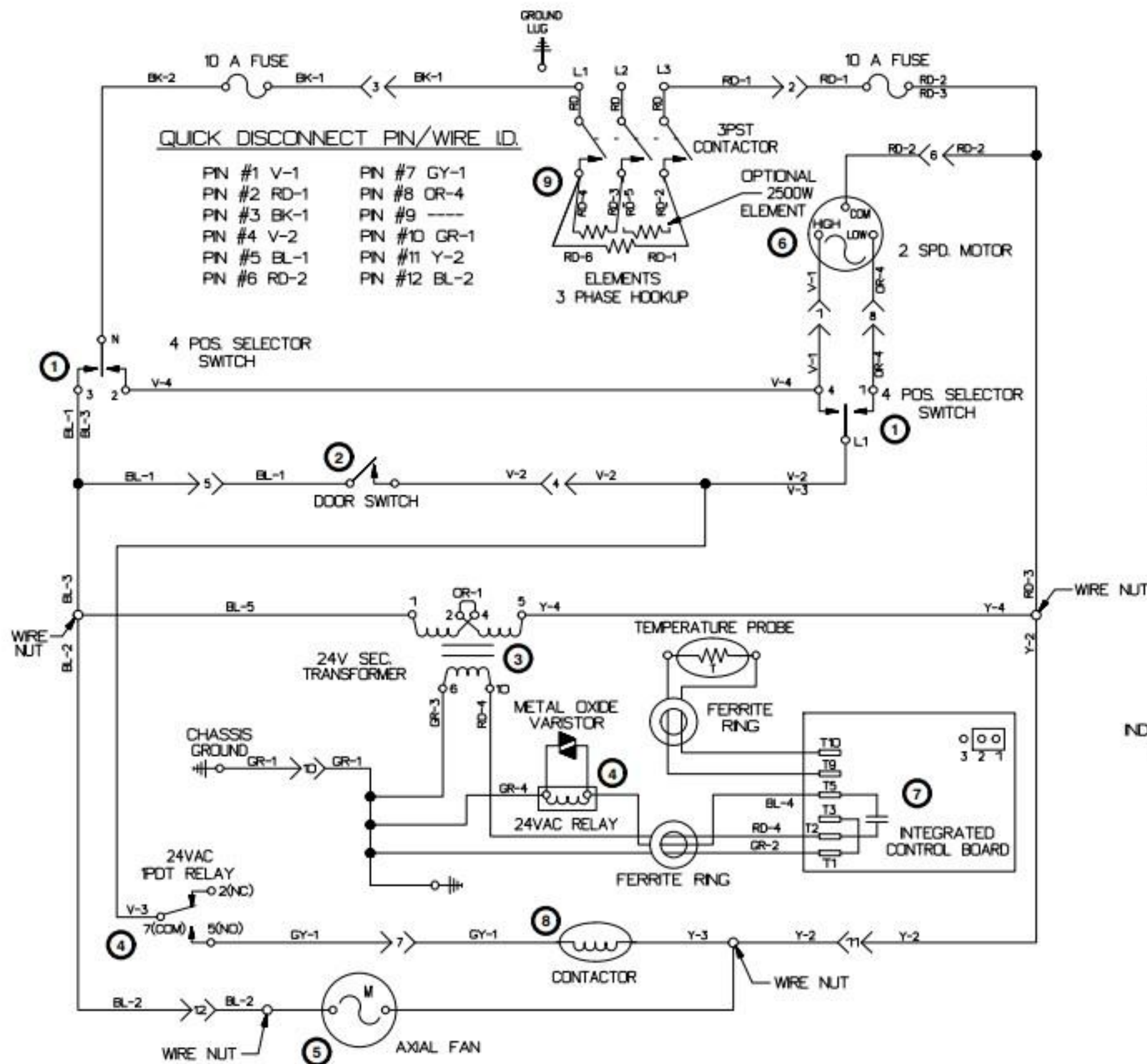
>>  
INDICATES QUICK  
DISCONNECT  
TERMINAL

### LEGEND

0 - OPEN  
X - CLOSED

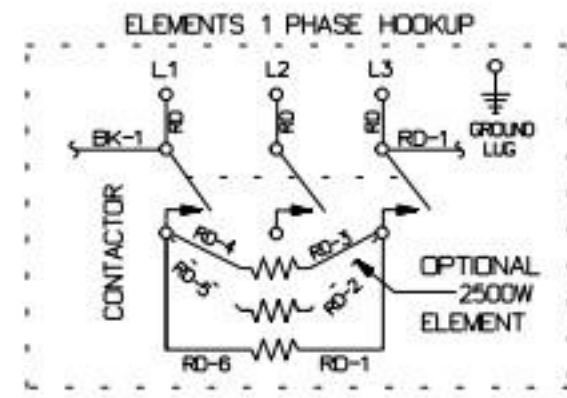
# BLODGETT

CTB/CTBR-1  
W/TRIPLE SETPOINT THERMOSTAT  
208 OR 230-240 VAC 60 HZ  
1 OR 3 PHASE



**QUICK DISCONNECT PIN/WIRE I.D.**

PIN #1 V-1	PIN #7 GY-1
PIN #2 RD-1	PIN #8 OR-4
PIN #3 BK-1	PIN #9 —
PIN #4 V-2	PIN #10 GR-1
PIN #5 BL-1	PIN #11 Y-2
PIN #6 RD-2	PIN #12 BL-2



**SELECTOR SWITCH**

POSITION	L1-1	L1-4	N-2	N-3
OFF	0	0	0	0
COOK HIGH	0	X	0	X
COOK LOW	X	0	0	X
COOL DOWN	0	0	X	0

**LEGEND**

O-OPEN  
X-CLOSED

**COLOR CODE**

- BK-BLACK
- GR-GREEN
- W-WHITE
- OR-ORANGE
- RD-RED
- Y-YELLOW
- BL-BLUE
- V-VIOLET
- GY-GRAY

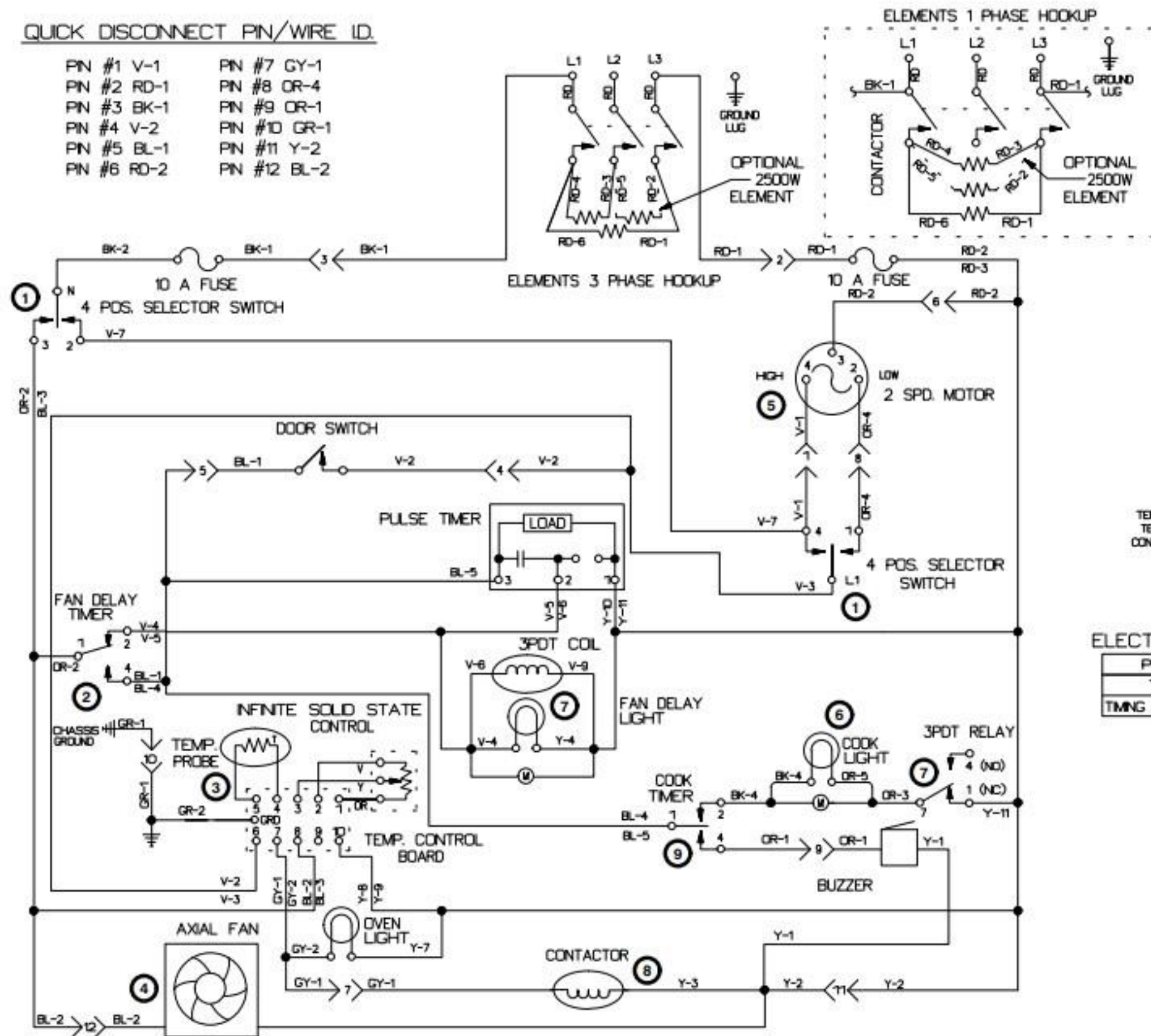
>>  
INDICATES QUICK  
DISCONNECT  
TERMINAL

**BLODGETT**

CTB/CTBR 2 SPEED  
W/INTEGRATED CONTROL SYSTEM  
208 OR 230-240 VAC 50/60 HZ  
1 OR 3 PHASE

**QUICK DISCONNECT PIN/WIRE ID.**

- |             |              |
|-------------|--------------|
| PIN #1 V-1  | PIN #7 GY-1  |
| PIN #2 RD-1 | PIN #8 OR-4  |
| PIN #3 BK-1 | PIN #9 OR-1  |
| PIN #4 V-2  | PIN #10 GR-1 |
| PIN #5 BL-1 | PIN #11 Y-2  |
| PIN #6 RD-2 | PIN #12 BL-2 |



**SELECTOR SWITCH**

POSITION	L1-1	L1-4	N-2	N-3
OFF	0	0	0	0
COOK HIGH	0	X	0	X
COOK LOW	X	0	0	0
COOL DOWN	0	0	X	0

**ELECTRIC COOK TIMER**

POSITION	1-2	1-4
OFF	0	0
TIMING	X	0
BUZZER SOUNDS	0	X
TIMING CYCLE ENDS	0	X

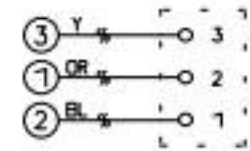
**LEGEND**

O-OPEN  
X-CLOSED

>>

INDICATES QUICK DISCONNECT TERMINAL

ALTERNATE 8 SETPOINT SOLID STATE THERMOSTAT



TERMINALS OF TEMPERATURE CONTROL BOARD

**COLOR CODE**

- BK-BLACK
- GR-GREEN
- W-WHITE
- OR-ORANGE
- RD-RED
- Y-YELLOW
- BL-BLUE
- V-VIOLET
- GY-GRAY

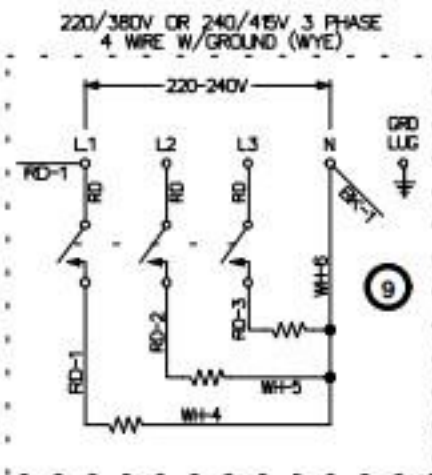
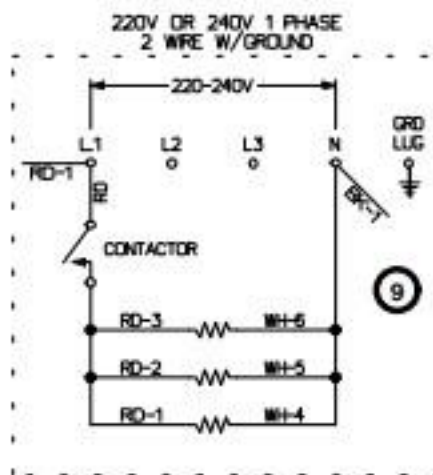
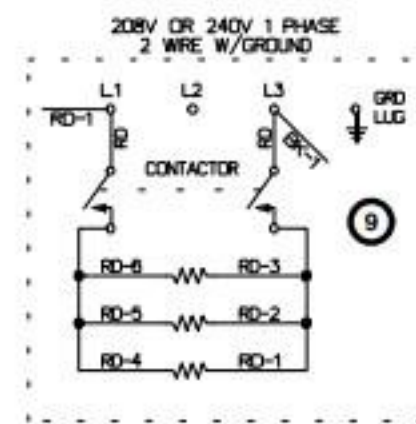
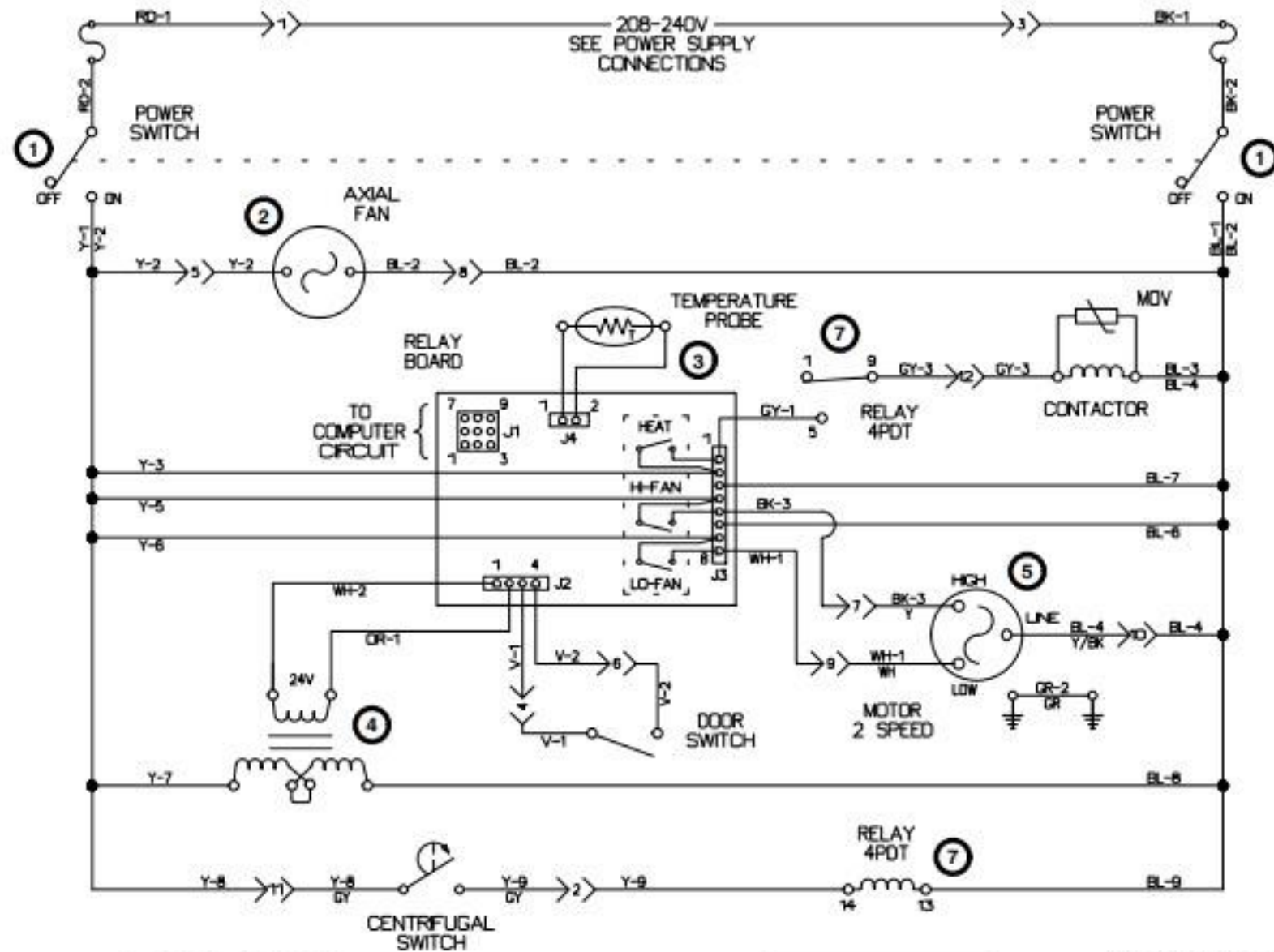
**ELECTRIC FAN DELAY TIMER**

POSITION	1-2	1-4
TIMING	X	0
TIMING CYCLE ENDS	0	X

**BLODGETT**

CTB/CTBR-1 2 SPEED  
8 SETPOINT/NFINITE PULSE PLUS  
208 OR 230-240 VAC 60 HZ  
1 OR 3 PHASE

21062  
REV. A

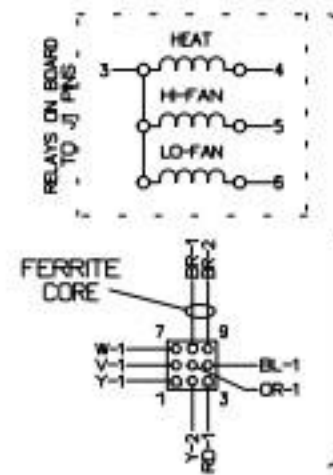


>>  
INDICATES QUICK  
DISCONNECT  
TERMINAL

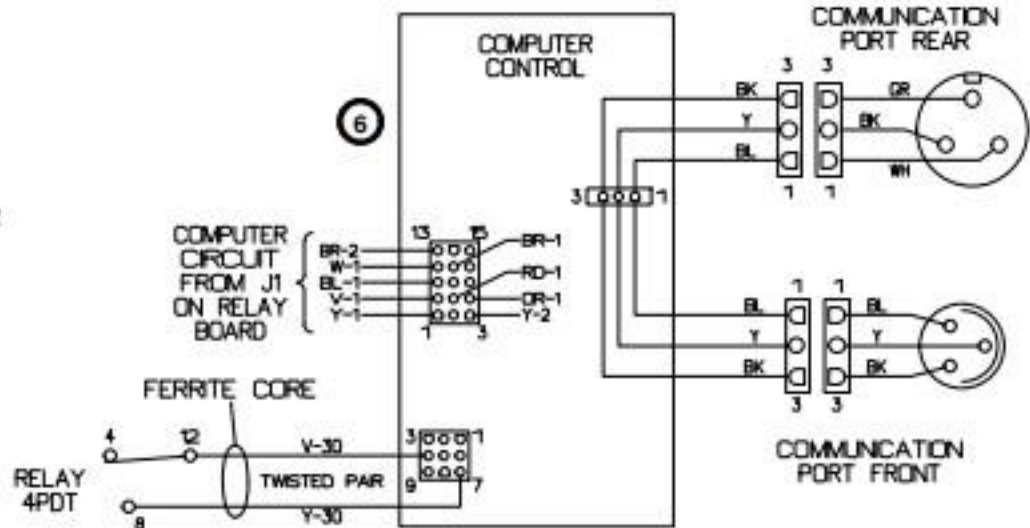
**COLOR CODE**  
 BK-BLACK    Y-YELLOW  
 W-WHITE    BL-BLUE  
 OR-ORANGE    V-VIOLET  
 RD-RED    GY-GRAY  
 GR-GREEN W/YELLOW STRIPE

**BLODGETT**

CTB  
 BLODGETT IQ  
 208 OR 230-240 VAC 60 HZ  
 OR  
 220/380 OR 240/415 VAC 50 HZ  
 SINGLE OR THREE PHASE



RELAYS ON BOARD  
TO J1 PINS

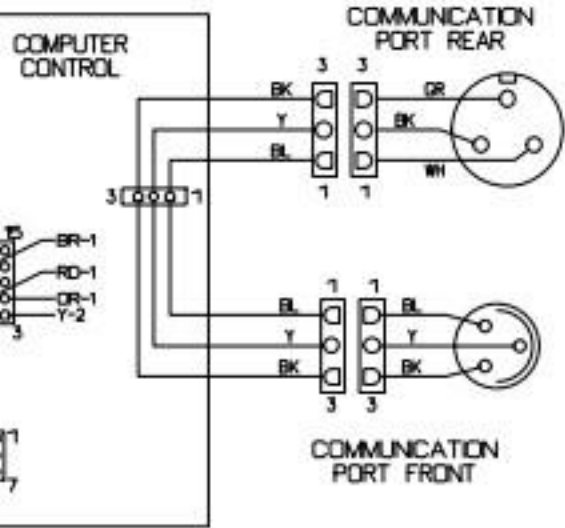


DETAIL  
J1  
CONNECTOR  
CIRCUIT  
ON  
RELAY  
BOARD

COMPUTER  
CIRCUIT  
FROM J1  
ON RELAY  
BOARD

FERRITE CORE

RELAY 4PDT



COMPUTER  
CONTROL

COMMUNICATION  
PORT REAR

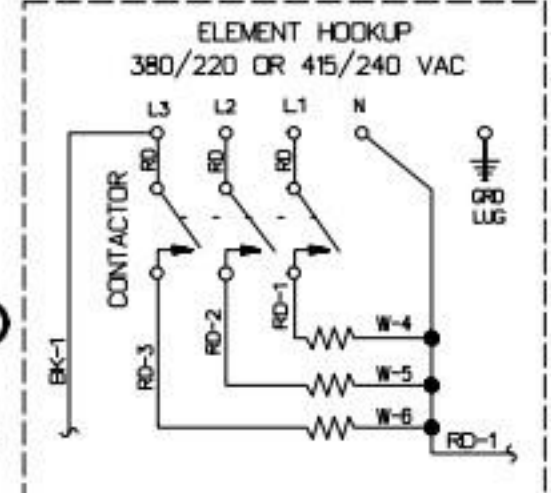
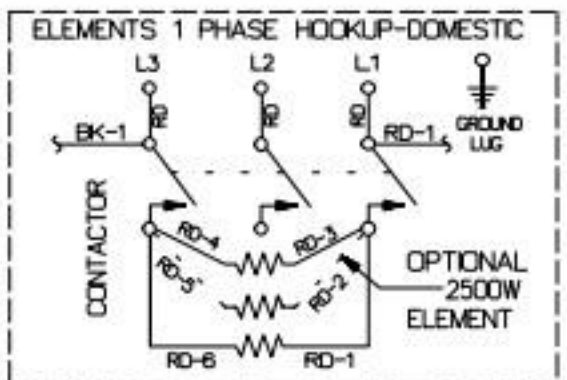
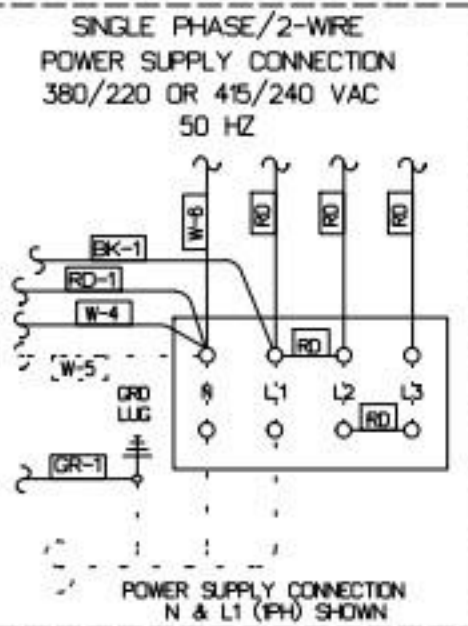
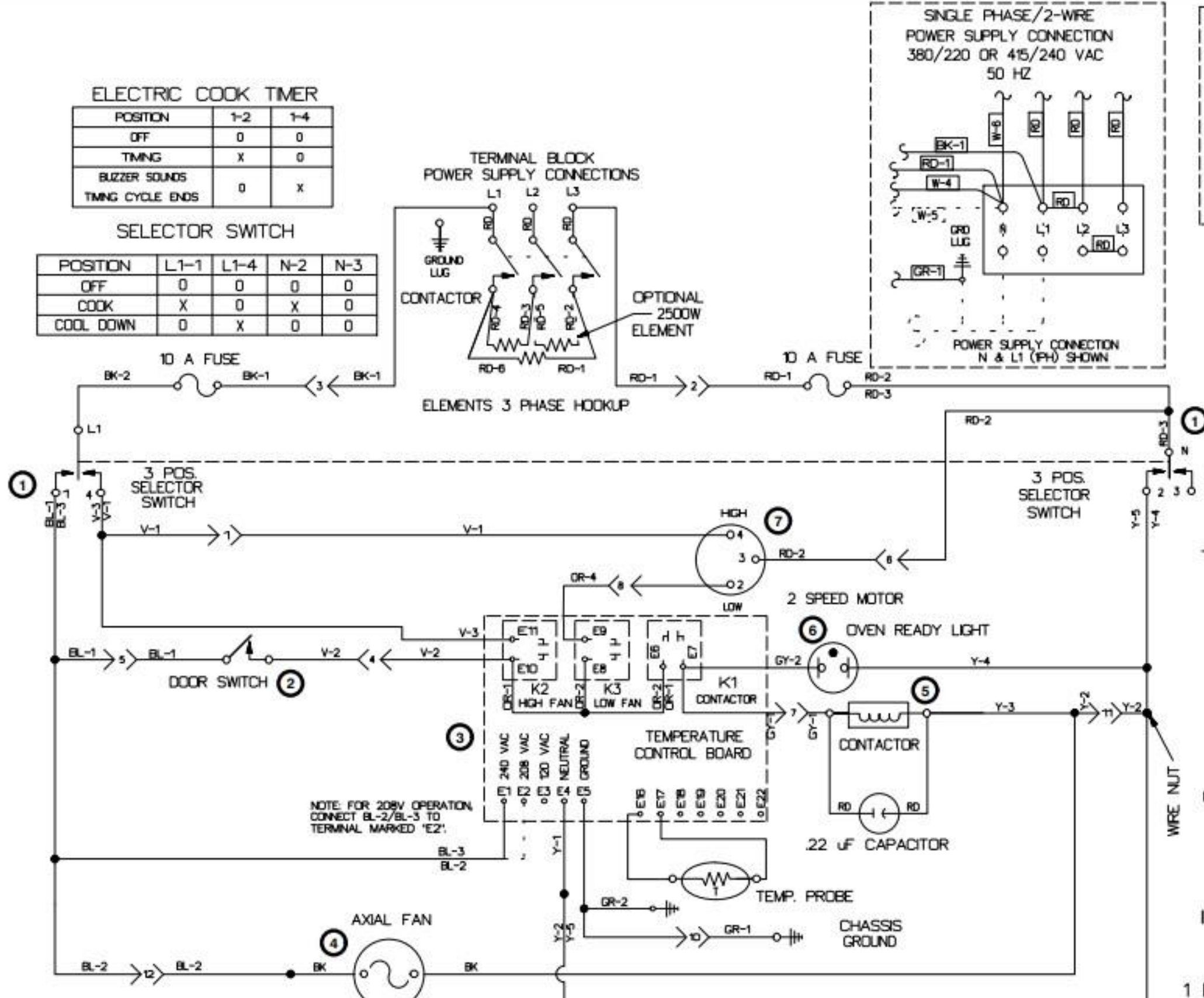
COMMUNICATION  
PORT FRONT

**ELECTRIC COOK TIMER**

POSITION	1-2	1-4
OFF	0	0
TIMING	X	0
BUZZER SOUNDS TIMING CYCLE ENDS	0	X

**SELECTOR SWITCH**

POSITION	L1-1	L1-4	N-2	N-3
OFF	0	0	0	0
COOK	X	0	X	0
COOL DOWN	0	X	0	0



**QUICK DISCONNECT PIN/WIRE I.D.**

- |             |              |
|-------------|--------------|
| PIN #1 V-1  | PIN #7 GY-1  |
| PIN #2 RD-1 | PIN #8 OR-4  |
| PIN #3 BK-1 | PIN #9       |
| PIN #4 V-2  | PIN #10 GR-1 |
| PIN #5 BL-1 | PIN #11 Y-2  |
| PIN #6 RD-2 | PIN #12 BL-2 |

**LEGEND**

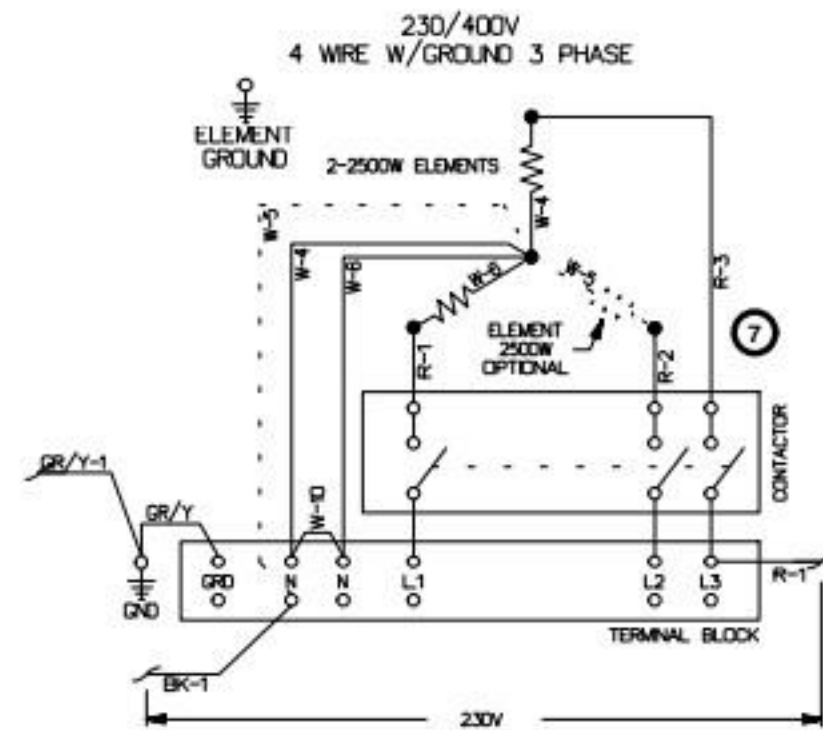
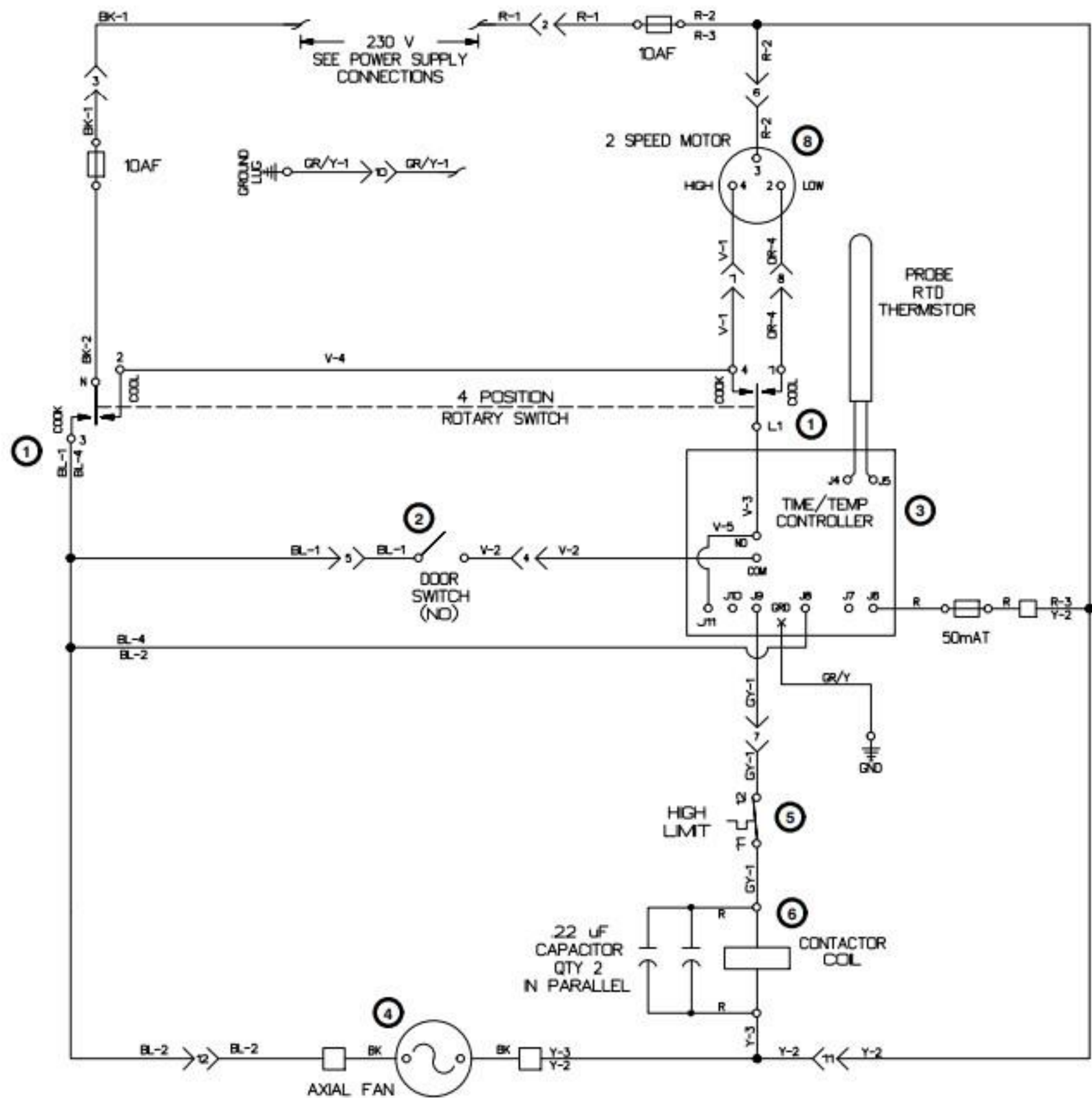
- O-OPEN  
X-CLOSED  
>>

INDICATES QUICK DISCONNECT TERMINAL

**COLOR CODE**  
BK-BLACK Y-YELLOW  
GR-GREEN BL-BLUE  
W-WHITE V-VIOLET  
OR-ORANGE GY-GRAY  
RD-RED



CTB/CTBR 2 SPEED  
INTELLI-PLUS, -HOLD, OR -RACK  
208 OR 230-240 VAC 60 HZ  
1 OR 3 PHASE  
380/220 OR 415/240 VAC 50 HZ  
1 PHASE/2-WIRE OR 3 PHASE/4-WIRE



**COLOR CODE**

- BK-BLACK
- BL-BLUE
- BR-BROWN
- GR-GREEN
- GY-GRAY
- OR-ORANGE
- R-RED
- V-VIOLET
- W-WHITE
- Y-YELLOW
- GR/Y-GREEN W/YELLOW STRIPE

**BLODGETT**

CTB  
SOLID STATE DIGITAL-CE  
2 SPEED  
230/400 VAC 50 HZ  
3 PHASE WITH N

33285 REV F

