



## **HV-100G & HV-100G-AB HYDROVECTION OVENS REPLACEMENT PARTS LIST**

### **HV-100G**

SERIAL LETTER CODE "KJ" (*manufactured on or before 1/25/2017*)

See pages 4 - 15

### **HV-100G-AB**

SERIAL LETTER CODE "KI" (*manufactured after 1/25/2017*)

See pages 16 - 27

**EFFECTIVE OCTOBER 9, 2018**

Superseding All Previous Parts Lists.

The Company reserves the right to make substitution in the event that items specified are not available.

ERRORS: Descriptive and/or typographic errors are subject to correction.

---

#### **BLODGETT OVEN COMPANY**

42 Allen Martin Drive, Essex Junction, Vermont 05452 USA Telephone: (802) 658-6600 Fax: (802) 860-3732  
[www.blodgett.com](http://www.blodgett.com)

P/N 54812 Rev AF

## **SERIAL NUMBER LOCATION / KEY:**

***IMPORTANT: When ordering parts, please provide the model, gas type and serial number of the oven. The identification plate is located on the back of the oven.***

## **SERIAL NUMBER IDENTIFICATION CODE:**

**KJ = HV-100G HYDROVECTION OVEN**

**KI = HV-100G-AB HYDROVECTION OVEN**

## **SERIAL NUMBER EXAMPLES**

**080111KJ001**

**08/01/11 = DATE**

**KJ = LETTER CODE FOR HV-100G**

**001 = FACTORY SEQUENCE**

## **TO OBTAIN LITERATURE:**

Email: [literature@blodgett.com](mailto:literature@blodgett.com)

or visit

[www.blodgett.com](http://www.blodgett.com)

# TABLE OF CONTENTS

## **HV-100G OVENS - SERIAL LETTER CODE "KJ"**

MANUAL CONTROLS .....	5
MENUSELECT CONTROLS .....	6
SMART TOUCH CONTROLS .....	7
DOORS .....	8
INTERIOR COMPONENTS .....	10
VENT COMPONENTS.....	11
MOTOR.....	12
EXTERIOR COMPONENTS .....	13
ELECTRIC & GAS COMPONENTS .....	14

## **HV-100G-AB OVENS - SERIAL LETTER CODE "KI"**

SMARTTOUCH CONTROL .....	17
SMARTTOUCH 2 CONTROL .....	18
MANUAL CONTROL .....	19
PROGRAMMABLE MANUAL CONTROL .....	20
DOORS .....	21
INTERIOR COMPONENTS .....	22
REAR COMPONENTS .....	23
MOTOR ASSEMBLY.....	24
ELECTRICAL COMPONENTS .....	25
EXTERIOR COMPONENTS .....	26
BURNER ASSEMBLY .....	27

## **HV-100G & HV-100G-AB OVENS**

ACCESSORIES .....	29
-------------------	----

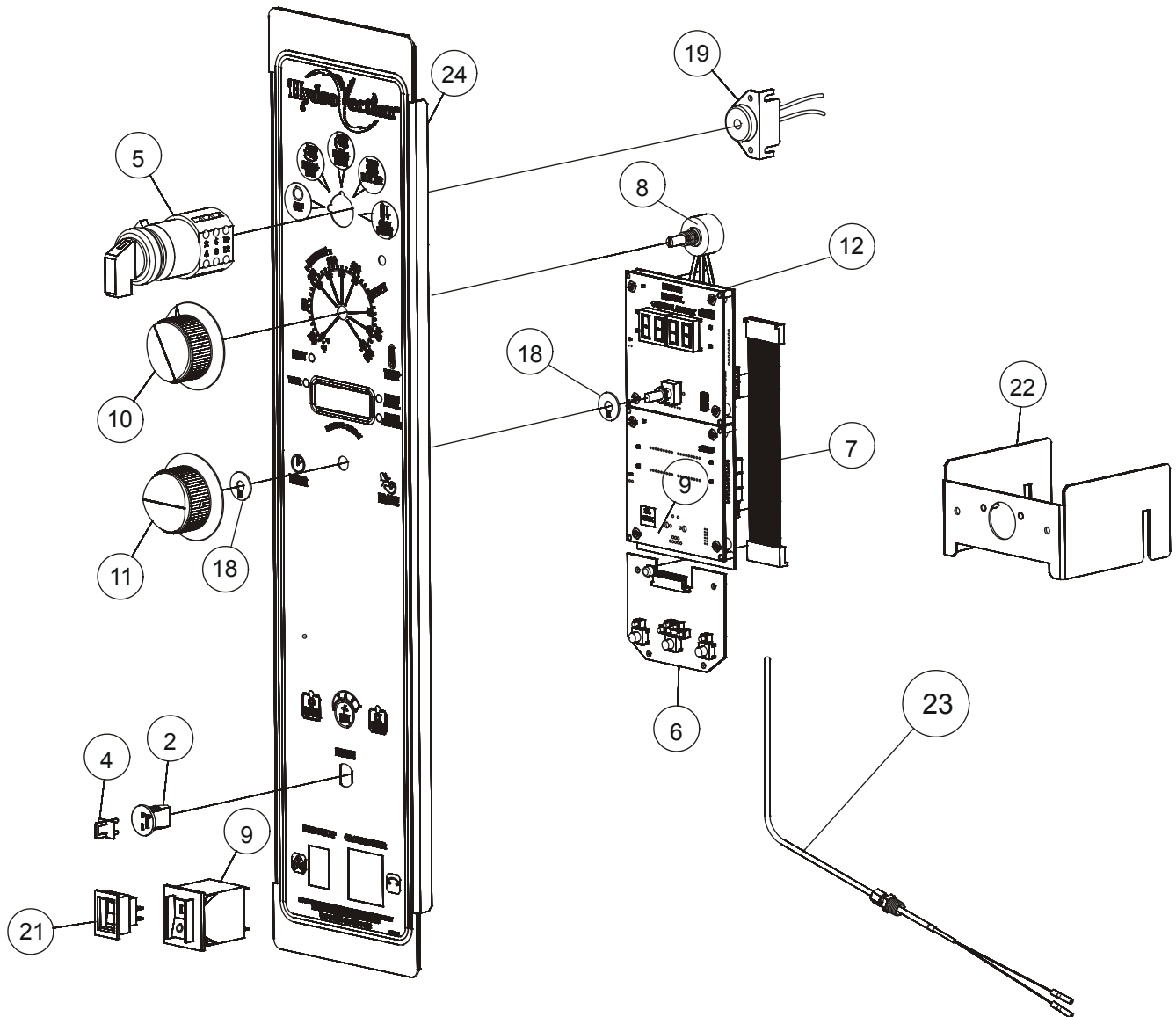
# **HV-100G OVENS**

**SERIAL LETTER CODE "KJ"**

*(All Full Size Hydrovection ovens manufactured on or before 1/25/2017)*

# MANUAL CONTROLS

FOR HV-100G OVENS (MANUFACTURED ON OR BEFORE 1/25/2017)

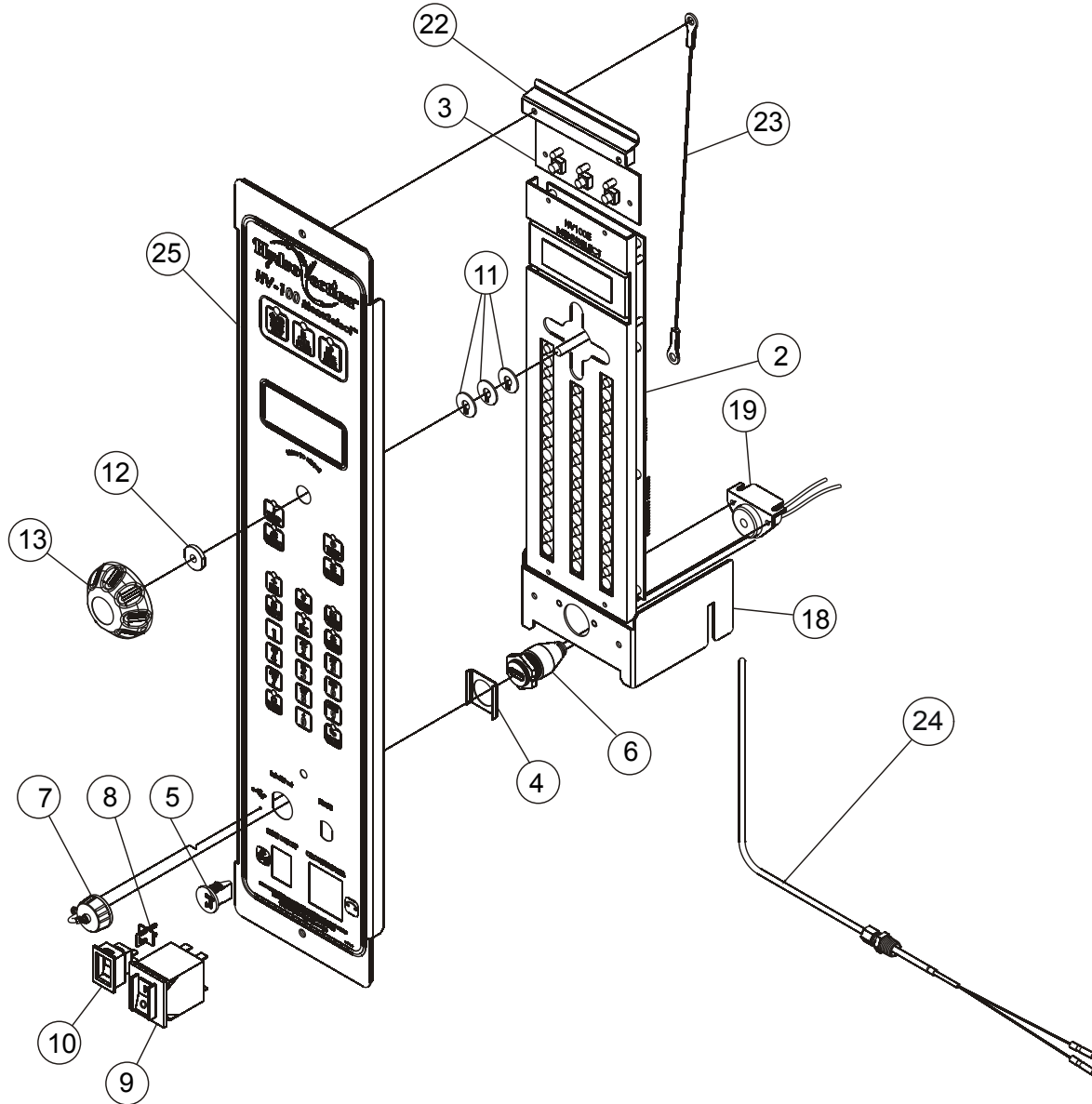


## For HV-100G Ovens (Serial Letter Code KJ)

Ref. No.	Part No.	Description	Ref. No.	Part No.	Description
2	39781	MEAT PROBE JACK	18	54340	SPACER, ENCODER SUPPORT (SET OF 2)
4	39782	MEAT PROBE JACK PLUG	19	53759	BUZZER, REMOTE
5	52466	ROTARY SWITCH, 5-POSITION	21	36376	SWITCH, GAS, ON/OFF
6	53157	BOARD, 3 BUTTON HYDRO MANUAL	22	54942	BRACKET, HANGING CONTROL
7	53344	HARNESS, MANUAL CONTROL CONNECTOR	23	53007	CAVITY PROBE
8	18234	POTENTIOMETER		54075	COMMUNICATION CABLE
9	39688	CIRCUIT BREAKER, 20A		52806	DEFLECTOR, CONTROL PANEL DRIP
10	36616	KNOB, W/ARROW		20043	CABLE, STRAIN RELIEF
11	36617	KNOB, W/O ARROW	24	58541	PANEL & DECAL
12	54932	PROGRAMMED, HV100 MANUAL, G.M.			

# MENUSELECT CONTROLS

FOR HV-100G OVENS (MANUFACTURED ON OR BEFORE 1/25/2017)

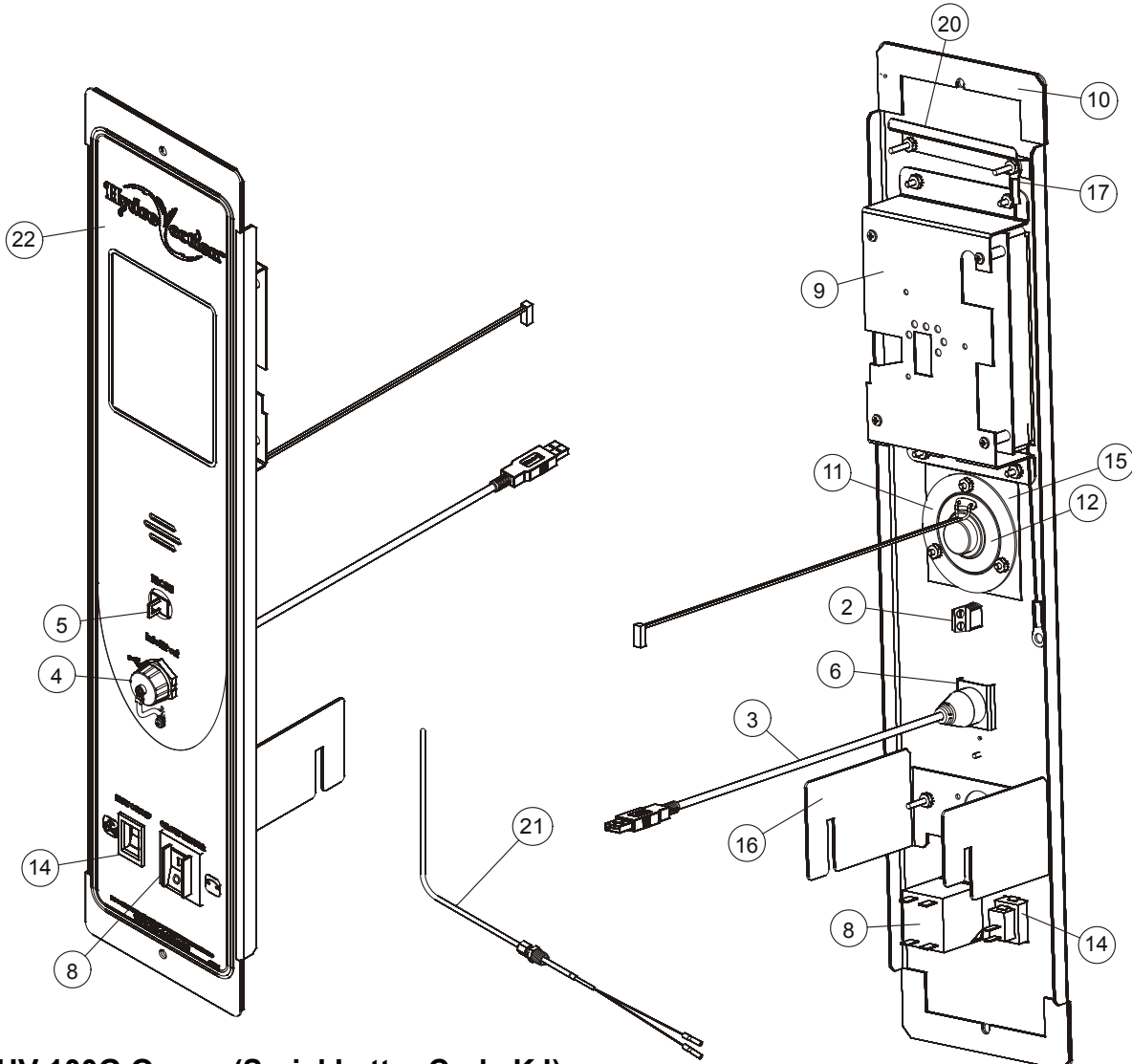


## For HV-100G Ovens (Serial Letter Code KJ)

Ref. No.	Part No.	Description	Ref. No.	Part No.	Description
2	54937	PROGRAMMED CONTROL, HV100 MENUSELECT	12	54341	SLEEVE, ENCODER SUPPORT
3	39122	BOARD, 3 BUTTON PCB	13	51372	KNOB
4	52600	SPACER, USB PORT	18	54631	BRACKET, HANGING CONTROL
5	39781	MEAT PROBE JACK	19	53759	BUZZER, REMOTE
6	52647	USB CABLE, 1 METER		52806	DEFLECTOR, CONTROL PANEL DRIP
7	52161	COVER, USB	23	20043	CABLE, STRAIN RELIEF
8	39782	MEAT PROBE JACK PLUG	24	53007	CAVITY PROBE
9	39688	CIRCUIT BREAKER, 20A		54073	COMMUNICATIONS CABLE
10	36376	SWITCH, GAS, ON/OFF		52926	FLASHDRIVE, USB
11	54340	SPACER, ENCODER SUPPORT	25	58542	PANEL & DECAL

# SMART TOUCH CONTROL

FOR HV-100G OVENS (MANUFACTURED ON OR BEFORE 1/25/2017)



## For HV-100G Ovens (Serial Letter Code KJ)

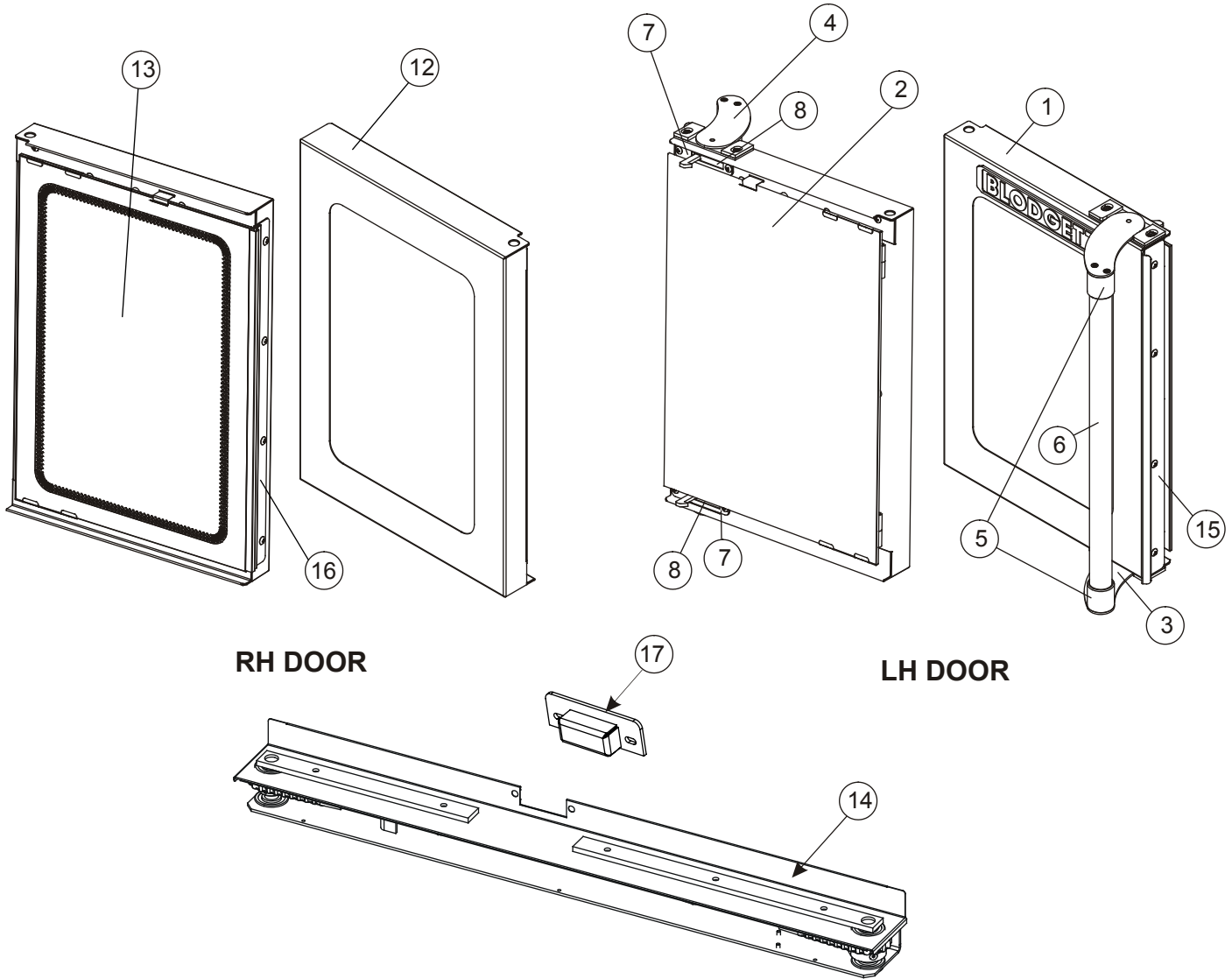
Ref. No.	Part No.	Description
2	39781	MEAT PROBE JACK
3	52160	USB CABLE
4	52161	COVER, USB
5	39782	MEAT PROBE JACK PLUG
6	52600	SPACER, USB PORT
8	39688	CIRCUIT BREAKER, 20A
9	55161	CONTROL, TOUCH SCREEN, BEFORE 11/8/13
	57734	CONTROL, TOUCH SCREEN, AFTER 11/8/13
	57732	CONTROL, TOUCH SCREEN, DUNKIN DONUTS
10	R4872	GASKET, CONTROL PANEL, BY THE INCH

Ref. No.	Part No.	Description
	57958	CONTROL, TOUCH SCREEN, LONGHORN
	58766	TOUCH SCREEN, HV100, LUCILLE'S BBQ
11	59616	SPEAKER RETAINER
12	59777	SPEAKER KIT, W/RETAINER
14	36376	SWITCH, GAS, ON/OFF
15	54440	SPEAKER COVER
16	54631	BRACKET, HANGING CONTROL
17	20043	CABLE, STRAIN RELIEF
20	52806	DEFLECTOR, CONTROL PANEL DRIP
21	53007	CAVITY PROBE
	54330	COMMUNICATIONS CABLE
22	58038	PANEL & DECAL ASSY., SMART TOUCH

# DOORS

## STAINLESS STEEL

FOR HV-100G OVENS (MANUFACTURED ON OR BEFORE 1/25/2017)



**RH DOOR**

**LH DOOR**

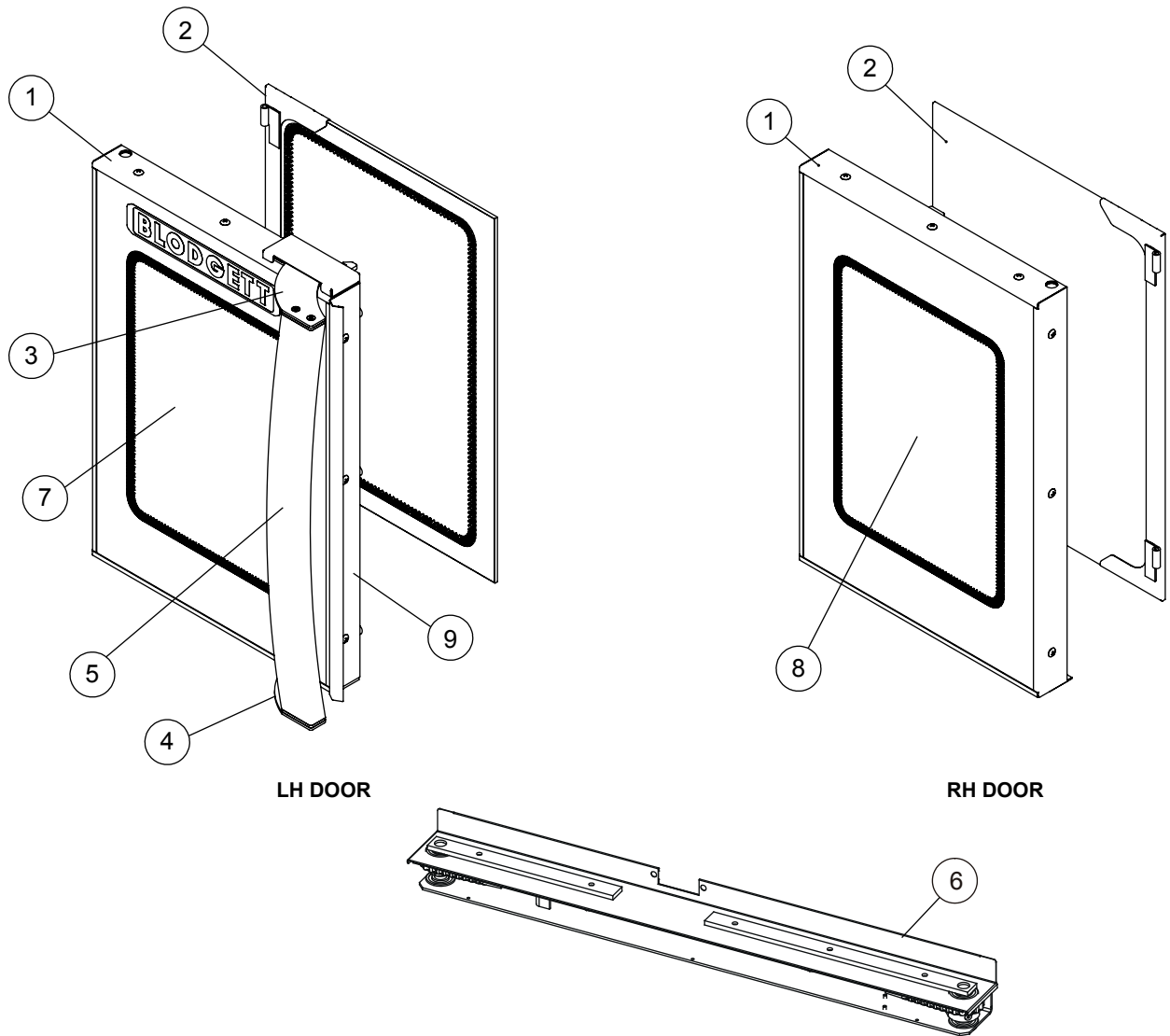
**For HV-100G Ovens (Serial Letter Code KJ)**

<u>Ref. No.</u>	<u>Part No.</u>	<u>Description</u>	<u>Ref. No.</u>	<u>Part No.</u>	<u>Description</u>
1	56762	ASSEMBLY, LH OUTER DOOR	13	51556	ASSEMBLY, RH INNER DOOR GLASS
2	51534	ASSEMBLY, LH INNER DOOR GLASS	14	57953	DOOR TURNBUCKLE ASSEMBLY
3	57016	ASSY, LATCH RH		52514	DOOR SWITCH ASSEMBLY
4	57015	ASSY, LATCH LH	15	51450	LH DOOR CENTER CHANNEL
5	50213	END CAP, HANDLE	16	51610	RH DOOR CENTER GASKET
6	51542	ASSEMBLY, DOOR HANDLE		51631	RUBBER BUMPER (PUSH IN STYLE)
7	51539	PLATE, LATCH COVER (QTY 2)		60185	BUMPER (SCREW IN STYLE)
8	51668	GASKET, DOOR LATCH (QTY 2)	17	51488	LATCH CATCH ASSEMBLY
12	56766	ASSEMBLY, RH OUTER DOOR			

# DOORS

## BLACK GLASS

FOR HV-100G OVENS (MANUFACTURED ON OR BEFORE 1/25/2017)

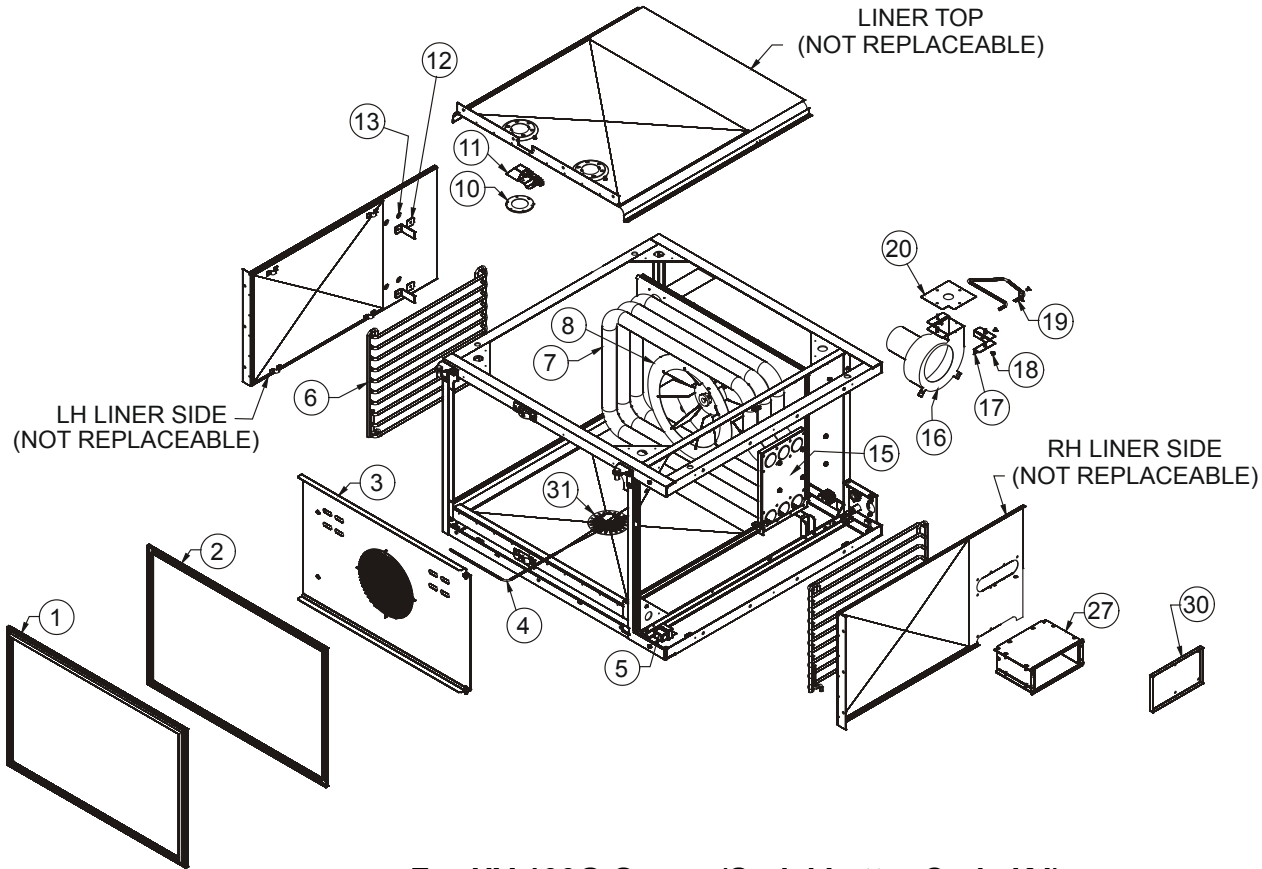


### For HV-100G Ovens (Serial Letter Code KJ)

<u>Ref. No.</u>	<u>Part No.</u>	<u>Description</u>	<u>Ref. No.</u>	<u>Part No.</u>	<u>Description</u>
1	55528	LH OUTER DOOR (COMPLETE AS SHOWN)	6	57953	DOOR TURNBUCKLE
1	55542	RH OUT DOOR (COMPLETE AS SHOWN)		52514	DOOR SWITCH
2	51534	LH INNER GLASS	7	55531	LH FRONT GLASS
	51556	RH INNER GLASS	8	55532	RH FRONT GLASS
3	58939	LATCH ASSY, RECT, TOP	9	55533	CENTER TRIM
4	58938	LATCH ASSY, RECT, BOTTOM		51610	CENTER DOOR GASKET
5	55608	DOOR HANDLE		60185	BUMPER (SCREW IN STYLE)
				51519	CLIP, DOOR GLASS

# INTERIOR COMPONENTS

FOR HV-100G OVENS (MANUFACTURED ON OR BEFORE 1/25/2017)

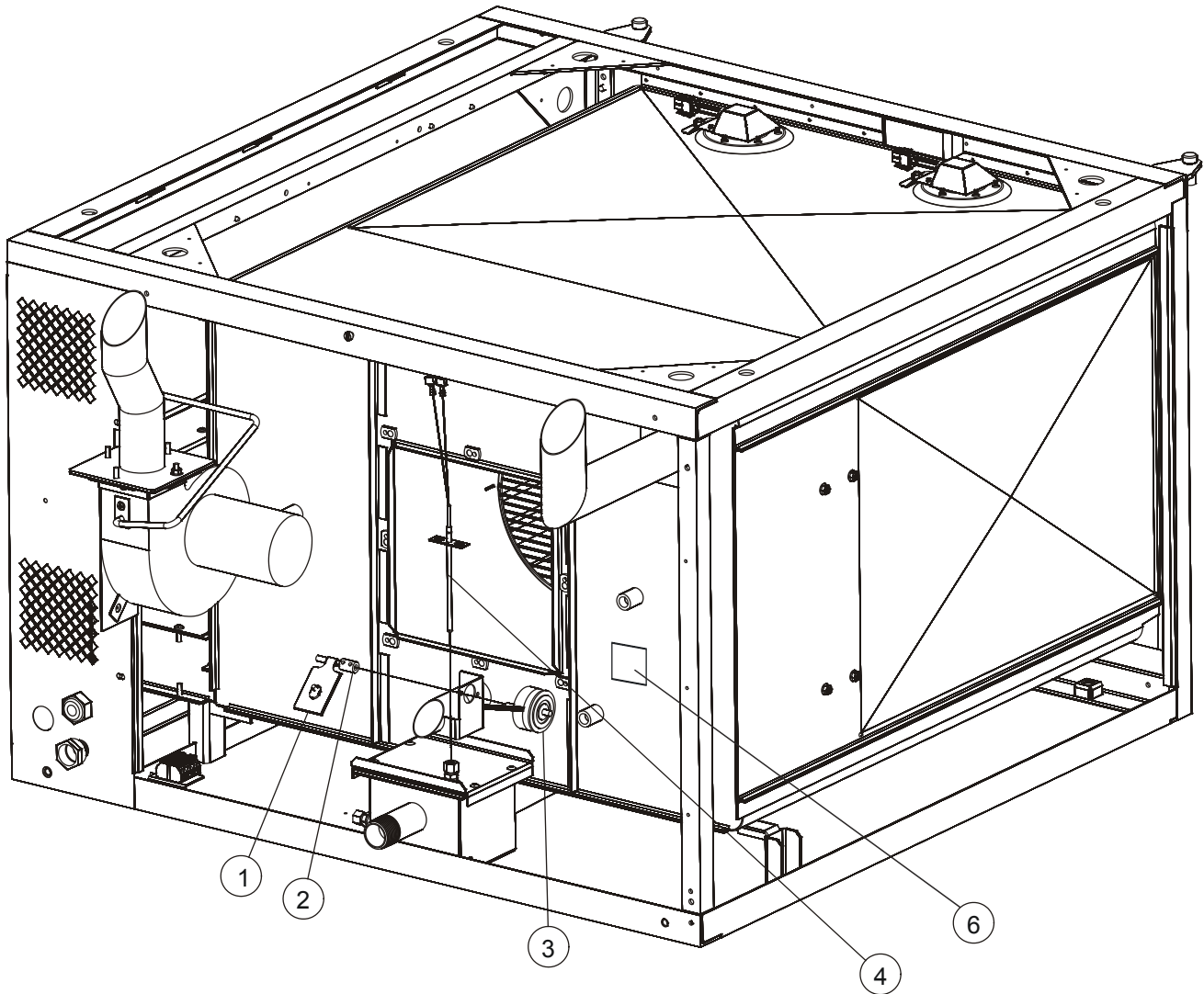


## For HV-100G Ovens (Serial Letter Code KJ)

Ref. No.	Part No.	Description	Ref. No.	Part No.	Description
1	52716	PERIMETER GASKET		59712	BLOWER MOTOR & GASKETS, 240V
2	54770	ASSY, GASKET CHANNEL	17	54405	DRAFT INDUCER ADAPTER BEFORE 5-22-12
3	54860	BAFFLE - BEFORE 8-22-12	17	55776	DRAFT INDUCER ADAPTER AFTER 5-22-12
3	55970	BAFFLE - AFTER 8-22-12 AND BEFORE 11/12/13	19	54447	TUBE, PRESSURE SWITCH BEFORE 5-22-12
	55877	BAFFLE AFTER 11/11/13	19	55772	TUBE, PRESSURE SWITCH AFTER 5-22-12
	58568	SCREWS FOR BAFFLE	20	54406	RESTRICTOR PLATE, HV100G-NATGAS BEFORE 5-22-12
4	53007	CAVITY TEMPERATURE PROBE AND FITTING KIT	20	55742	RESTRICTOR PLATE, HV100G-NATGAS AFTER 5-22-12
5	36441	HIGH LIMIT THERMOSTAT	27	54164	BURNER BOX ASSEMBLY (HV100G)
6	54856	SIDE RACK SUPPORT (SET OF 2)	30	54404	DRAFT INDUCER BOX COVER
	59046	WIRE RACK	32	50506	DRAIN STRAINER
7	54791	HEAT EXCHANGER ASSY, HV100G		53101	HALOGEN BULB, 12V 20W GY6 .35"
8	55303	BLOWER WHEEL AND KEY		58996	FRONT CAVITY VENT GASKET
10	53081	LIGHT GLASS ASSEMBLY, CIRCULAR		58568	1/4-20 X 1/2" S/S SERRATED FLANGE SCREW
11	53194	LAMP HOUSING ASSEMBLY		57617	THREADED COUPLING 1/4-20" X 1"
12	54151	BAFFLE, STOP BRACKET (HV100G), BEFORE 11/12/13			
13	R9648	WASHER, 1/4 X 5/8, BEFORE 11/12/13			
15	54634	GASKET, HEAT EXCHANGER			
16	55603	BLOWER MOTOR & GASKETS, 120 VOLT			

# VENT COMPONENTS

FOR HV-100G OVENS (MANUFACTURED ON OR BEFORE 1/25/2017)

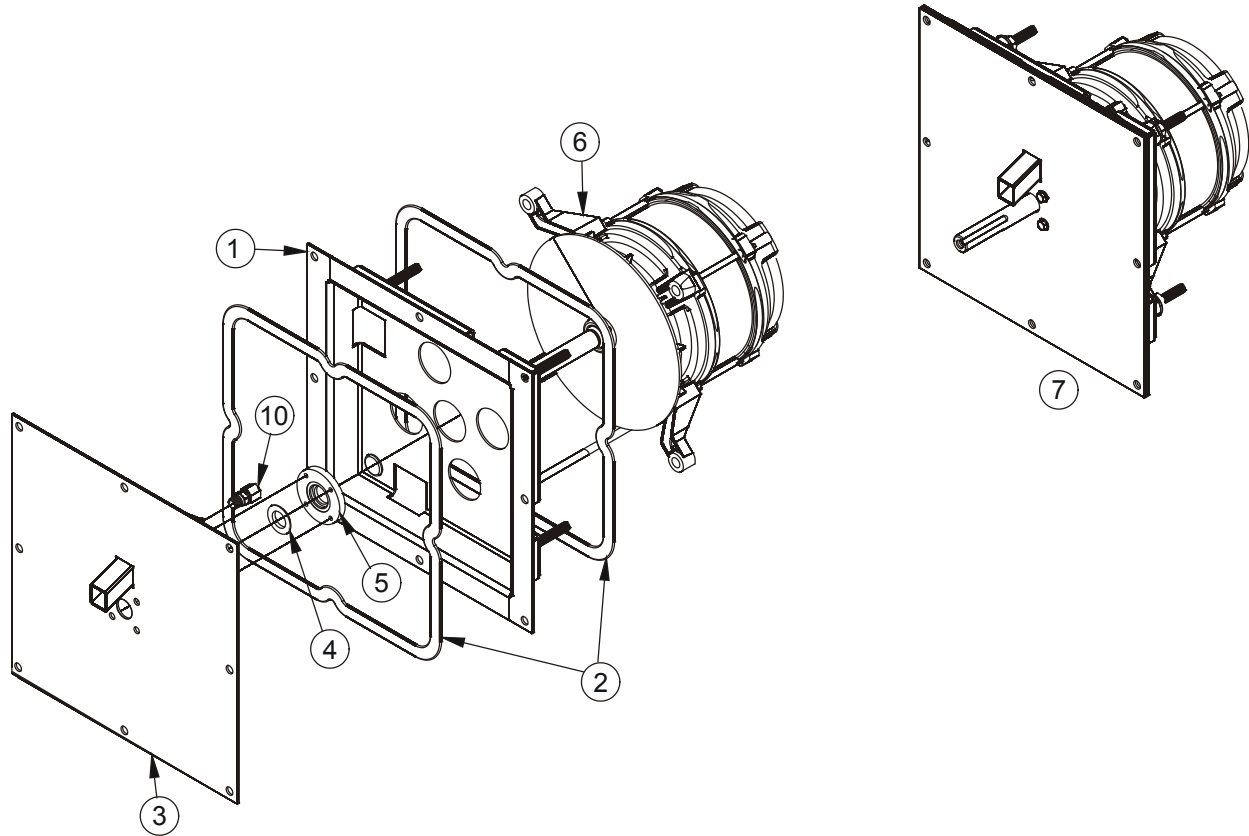


## For HV-100G Ovens (Serial Letter Code KJ)

<u>Ref. No.</u>	<u>Part No.</u>	<u>Description</u>	<u>Ref. No.</u>	<u>Part No.</u>	<u>Description</u>
1	50204	VENT LID ASSEMBLY, BEFORE 9/19/2011	3	53008	CAVITY VENT SOLENOID
2	39329	SHAFT COUPLING, BEFORE 9/19/2011	4	36720	QUENCH PROBE
	55024	VENT LID W/COUPLING, AFTER 9/19/2011	6	58992	GASKET & COVER

# MOTOR

FOR HV-100G OVENS (MANUFACTURED ON OR BEFORE 1/25/2017)

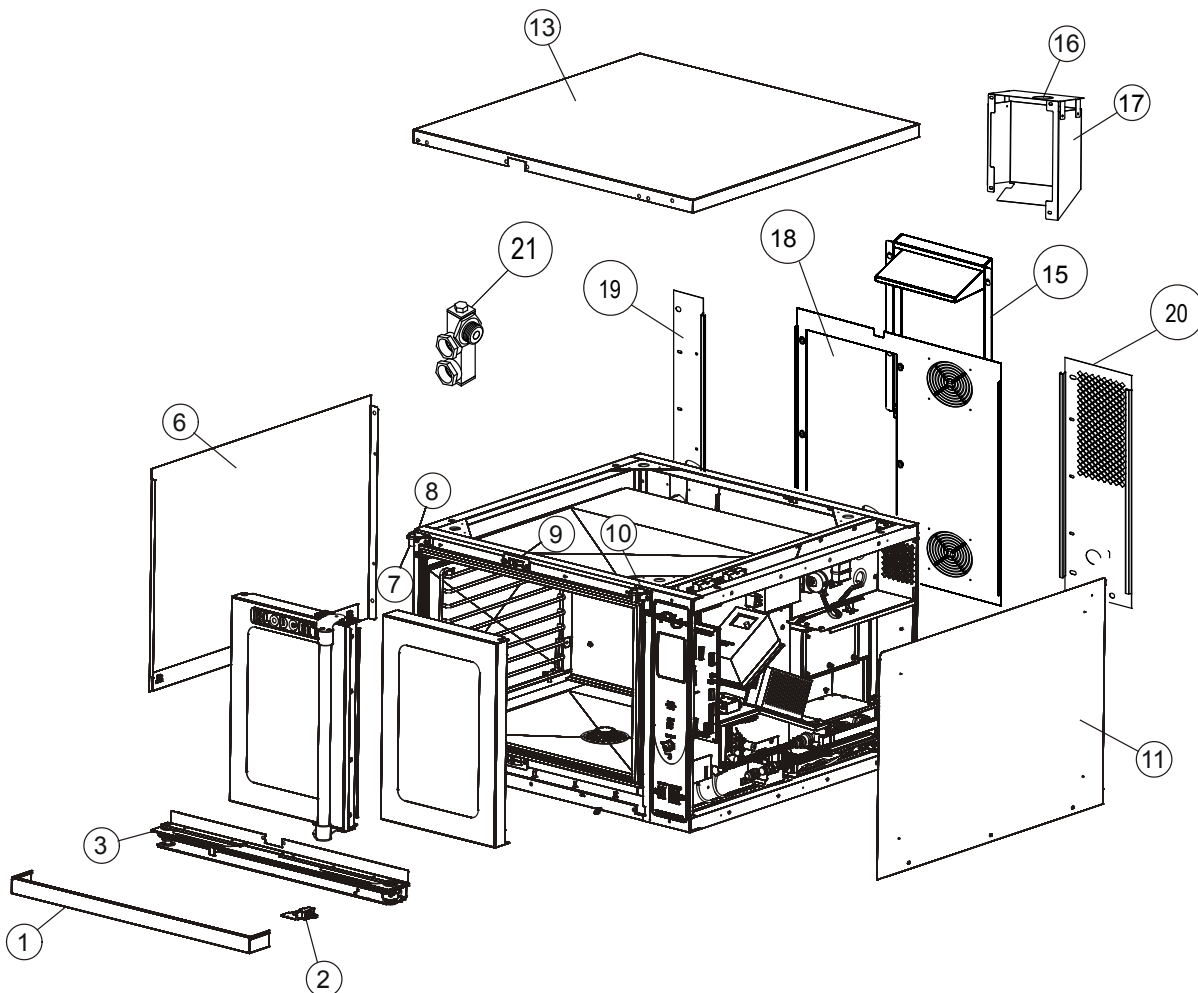


## For HV-100G Ovens (Serial Letter Code KJ)

<u>Ref. No.</u>	<u>Part No.</u>	<u>Description</u>	<u>Ref. No.</u>	<u>Part No.</u>	<u>Description</u>
1	54294	MOTOR MOUNT ASSEMBLY	5	R8955	SEAL RETAINER
2	56956	MOTOR MOUNT GASKET	6	55301	MOTOR AND KEY
3	54296	ASSY, COVER PLATE, WATER INJECTION MANIFOLD	7	54293	COMPLETE MOTOR ASSY
4	R4244	SHAFT SEAL	10	M0959	FITTING, COMPRESSION, STRAIGHT

# EXTERIOR COMPONENTS

FOR HV-100G OVENS (MANUFACTURED ON OR BEFORE 1/25/2017)

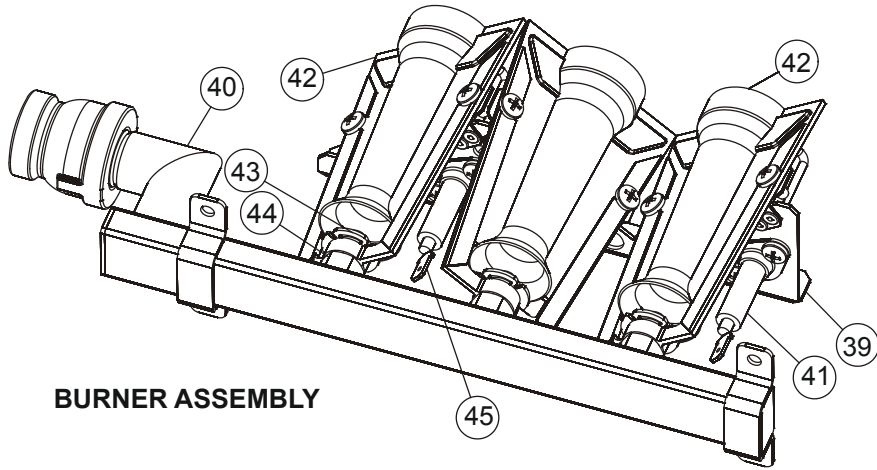
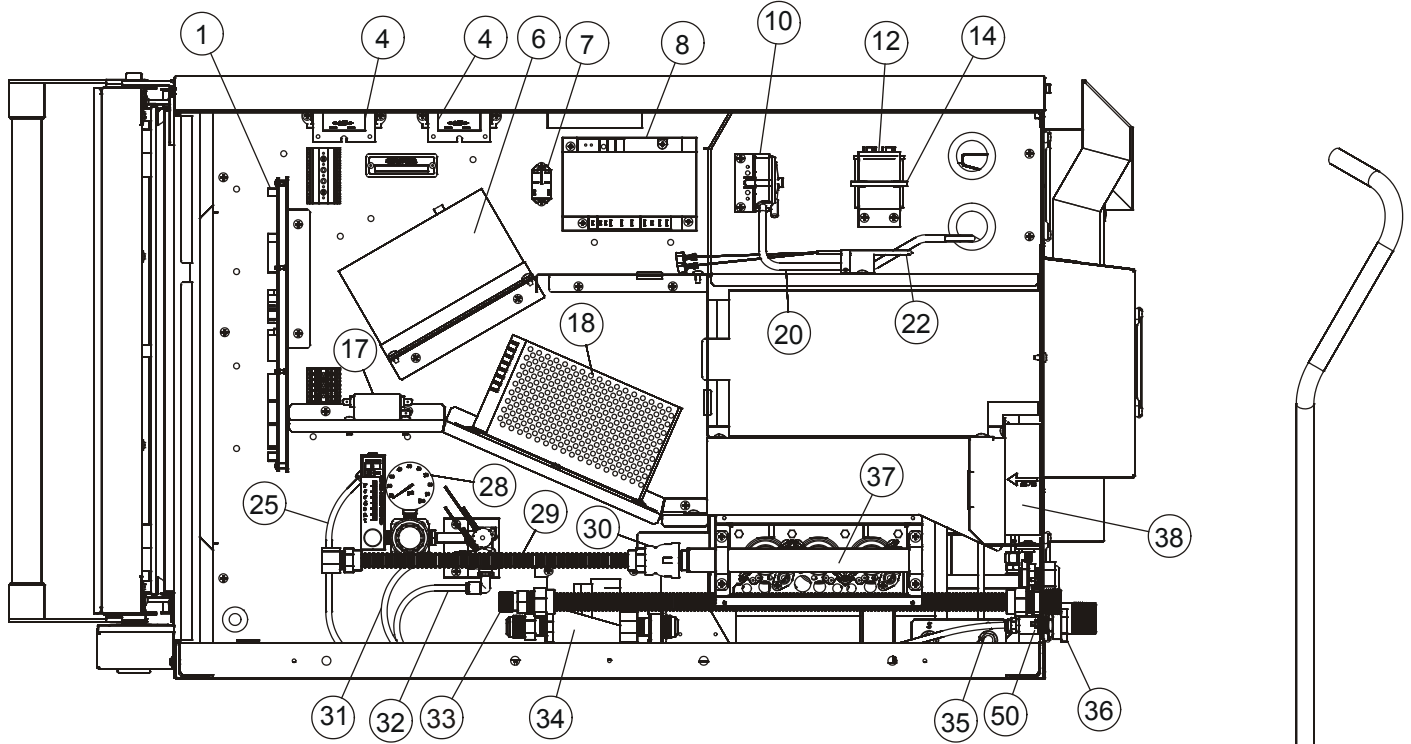


## For HV-100G Ovens (Serial Letter Code KJ)

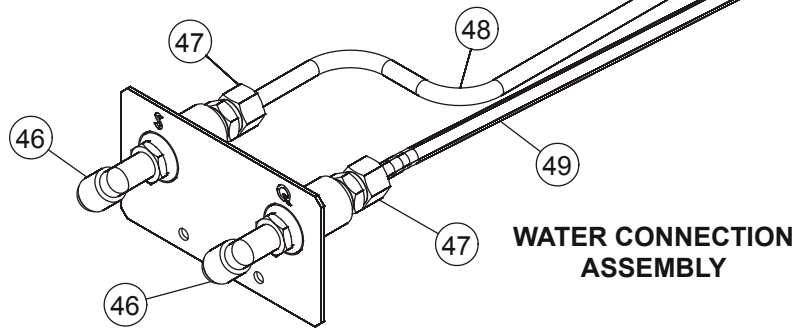
Ref. No.	Part No.	Description	Ref. No.	Part No.	Description
1	51698	FRONT TRIM	16	55735	DRAFT INDUCER BLOWER COVER - AFTER 5-22-12
2	52514	DOOR SWITCH ASSEMBLY	17	55068	DRAFT INDUCER COVER TOP - BEFORE 5-22-12
3	57953	TURNBUCKLE ASSEMBLY	17	55736	DRAFT INDUCER COVER TOP - AFTER 5-22-12
6	52479	LH BODYSIDE	M9616		AXIAL FAN, DRAFT INDUCER MOTOR - AFTER 5-22-12
7	51591	HINGE PIN (LEFT AND RIGHT)	18	54419	CENTER BODYBACK - BEFORE 5-4-2015
8	51081	LH HINGE	58333		CENTER BODYBACK - AFTER 5-4-2015
9	57889	DOOR CATCH (TOP AND BOTTOM)	19	54427	RH BODYBACK - BEFORE 5-4-2015
10	51082	RH HINGE	58331		RH BODYBACK - AFTER 5-4-2015
11	51105	RH BODYSIDE	20	54413	LH BODYBACK - BEFORE 5-4-2015
13	51253	BODYTOP	58334		LH BODYBACK - AFTER 5-4-2015
15	57103	BODYBACK, ACCESS PANEL - BEFORE 5-4-2015	21	54715	WATER MANIFOLD ASSEMBLY
	58597	BODYBACK, ACCESS PANEL - AFTER 5-4-2015			
16	55067	DRAFT INDUCER BLOWER COVER - BEFORE 5-22-12			

# ELECTRICAL & GAS COMPONENTS

FOR HV-100G OVENS (MANUFACTURED ON OR BEFORE 1/25/2017)



**BURNER ASSEMBLY**



**WATER CONNECTION ASSEMBLY**

# ELECTRICAL & GAS COMPONENTS

FOR HV-100G OVENS (MANUFACTURED ON OR BEFORE 1/25/2017)

## For HV-100G Ovens (Serial Letter Code KJ)

<u>Ref. No.</u>	<u>Part No.</u>	<u>Description</u>	<u>Ref. No.</u>	<u>Part No.</u>	<u>Description</u>
1	53206	INTERFACE BOARD, (TOUCH SCREEN), BEFORE 11/8/13	36	R9580	FITTING, 1/4 NPT TO TO GHT BRASS
	57727	INTERFACE BOARD, (TOUCH SCREEN), AFTER 11/8/13		50261	HOSE FILTER
	54380	INTERFACE BOARD (MENUSELECT, MANUAL)	37	54453	BURNER ASSEMBLY, NATURAL GAS
4	38303	TRANSFORMER, 40VA 120-240P/24S		54645	BURNER ASSEMBLY PROPANE GAS
6	58475	PROG. INVERTER ASSEMBLY, 120V	38	54393	COOLING FAN ASSEMBLY
	58476	PROG. INVERTER ASSEMBLY, 120V, DUNKIN DONUTS	39	54454	BURNER SUPPORT
	54666	PROG. INVERTER, 208/240 VOLT	40	54173	BURNER MANIFOLD
	57681	PROG. INVERTER, 208/240V, DUNKIN DONUTS	41	38517	ELECTRODE, 90 DEG, SPARK
7	56738	RELAY, SPST 24 VDC (IQ2)	42	54638	INSHOT BURNER
8	54388	CONTROL, IGNITION, FENWAL HV100G	43	38964	RING, RETAINING 1/2" POODLE
	54503	IGNITION WIRE	44	54175	ORIFICE, .082" (NATURAL GAS)
10	M9422	SWITCH, PRESSURE ONLY DOM/CE		54640	ORIFICE, .063" (PROPANE)
12	38610	CAPACITOR, ELECTROLYTIC 5MFD	45	38517	FLAME SENSOR
14	11502	TIE, WIRE 3/16 X 14" MAX		57796	KIT, LP TO NATURAL CONVERSION
17	53902	FILTER, EMI		100063	KIT, NATURAL TO LP CONVERSION
18	52946	POWER SUPPLY, 24VDC	46	51617	ELBOW, 1/4" PTC X 1/4" NPT SWI
	M3166	POWER SUPPLY FUSE	47	38844	FITTING, 1/4 NPT X 1/4 COMP
20	M9705	TUBING, POLYURETHANE (BY THE INCH, 36" TOTAL PRESSURE)	48	52955	TUBE, FLEX 1/4" OD X 30"
21	33088	CLIP, BULB THERMISTER	49	52956	TUBE, FLEX 1/4" OD X 12"
22	51516	PROBE, 3/16" DIA. RTD			
25	52353	RED TUBING, 1/4" OD POLYURETHANE (BY THE INCH)			
28	58533	ASSY, WATER DISTRIBUTION			
	58350	FLOW VALVE - AFTER 5-15-2015			
29	33249	HOSE, FLEX 1/2" GAS			
30	16118	COUPLING, REDUCER			
31	52352	GREEN TUBING, 1/4" OD POLYURETHANE (BY THE INCH)			
32	52351	BLUE TUBING, 1/4" OD POLYURETHANE (BY THE INCH)			
33	36229	GAS ADAPTER ASSEMBLY DFG100			
34	38742	GAS VALVE ASY, DIRECT SPARK NATURAL GAS			
	38743	GAS VALVE ASY, DIRECT SPARK PROPANE			
35	54637	WATER CONNECTION ASSEMBLY			

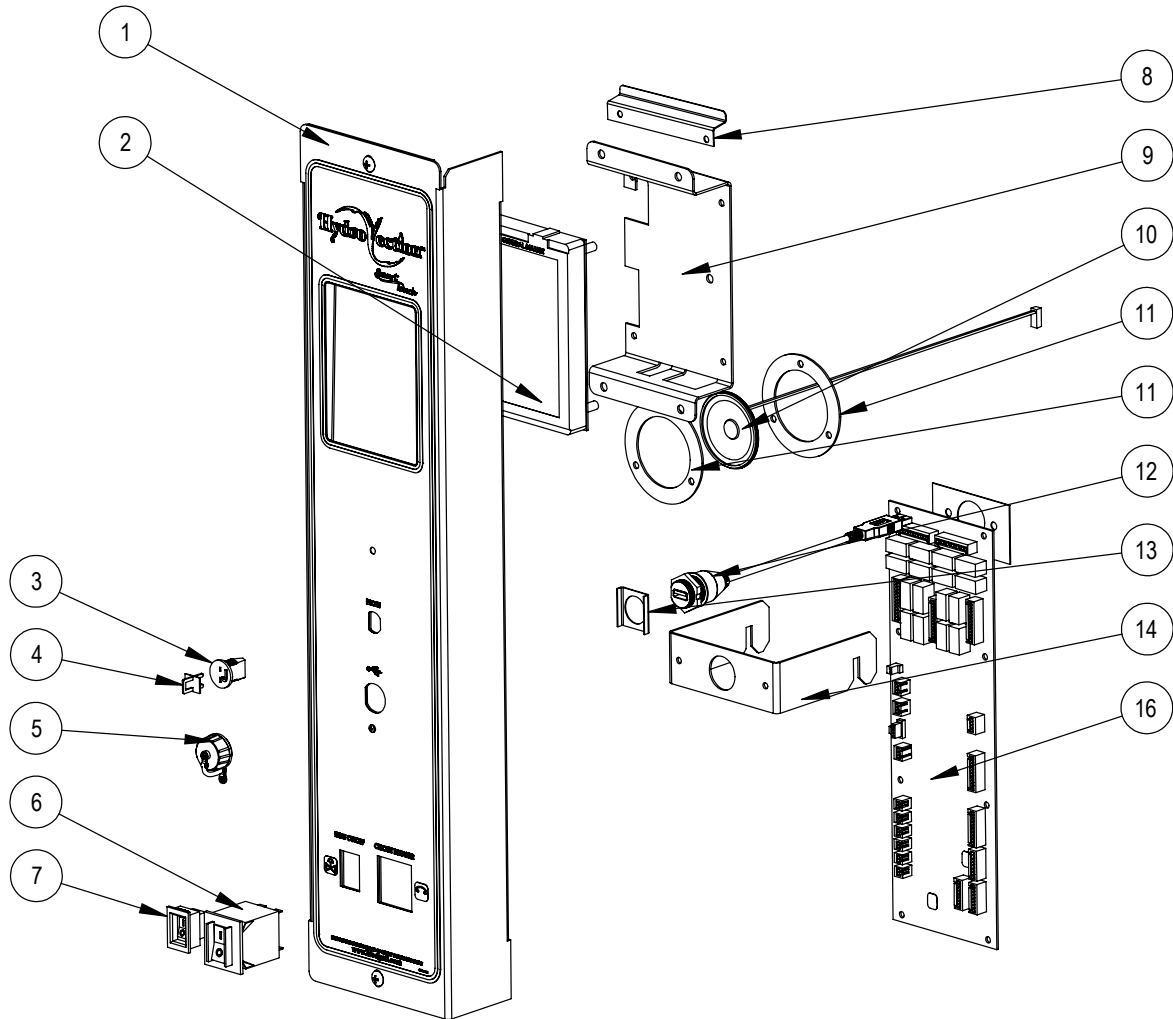
# **HV-100G-AB OVENS**

SERIAL LETTER CODE "KI"

*(All Full Size Hydrovection ovens manufactured after 1/25/2017)*

# SMARTTOUCH CONTROL

**FOR HV-100G-AB OVENS (MANUFACTURED AFTER 1/25/2017 AND BEFORE 8/1/2017 FOR GENERAL MARKET OR AFTER 1/25/2017 AND BEFORE 9/1/2018 FOR DUNKIN DONUTS)**

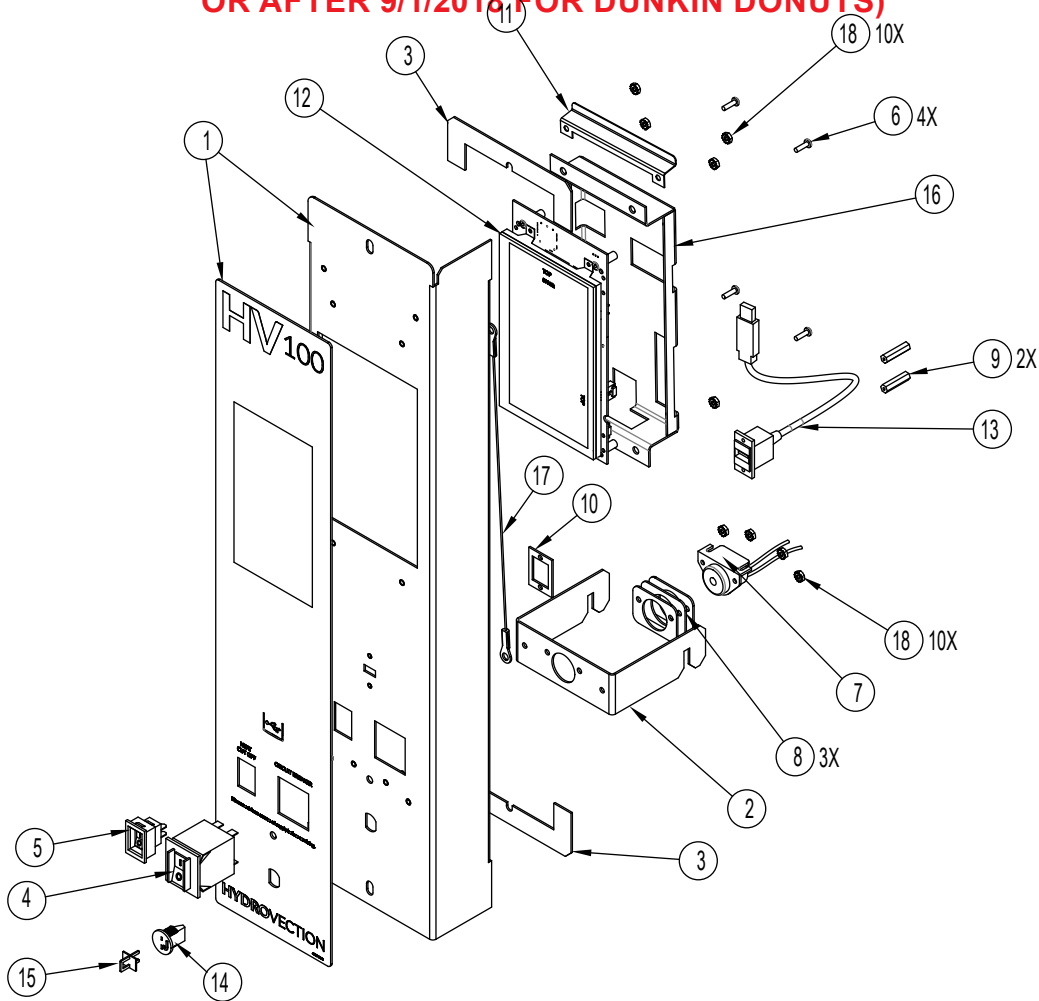


## For HV-100G-AB Ovens (Serial Letter Code KI)

<u>Ref. No.</u>	<u>Part No.</u>	<u>Description</u>	<u>Ref. No.</u>	<u>Part No.</u>	<u>Description</u>
1	59205	PANEL & DECAL	8	52806	DEFLECTOR
2	59148	TOUCH SCREEN, HV100	9	53986	TOUCH SCREEN FRAME
	59519	TOUCH SCREEN, HV100, DUNKIN DONUTS	10	59777	SPEAKER KIT, W/RETAINERS
	59520	TOUCH SCREEN, HV100, LONGHORN STEAKHOUSE	11	59616	SPEAKER RETAINER
	59521	TOUCH SCREEN, HV100, LUCILLE'S BBQ	12	52160	USB CABLE
3	39781	MEAT PROBE JACK	13	52600	SPACER, USB PORT
4	39782	MEAT PROBE JACK PLUG	14	58918	BRACKET, HANGING, HV100
5	52161	COVER, USB	15	54330	COMMUNICATION CABLE, HV100 TS
6	39688	CIRCUIT BREAKER, 20A	16	57727	RELAY BOARD, TOUCH SCREEN
7	36376	SWITCH, GAS, ON/OFF		59080	CONTROL PANEL ASSEMBLY, COMPLETE AS SHOWN (WITHOUT RELAY BOARD)

# SMARTTOUCH 2 CONTROL

**FOR HV-100G-AB OVENS (MANUFACTURED AFTER 8/1/2017  
OR AFTER 9/1/2018 FOR DUNKIN DONUTS)**

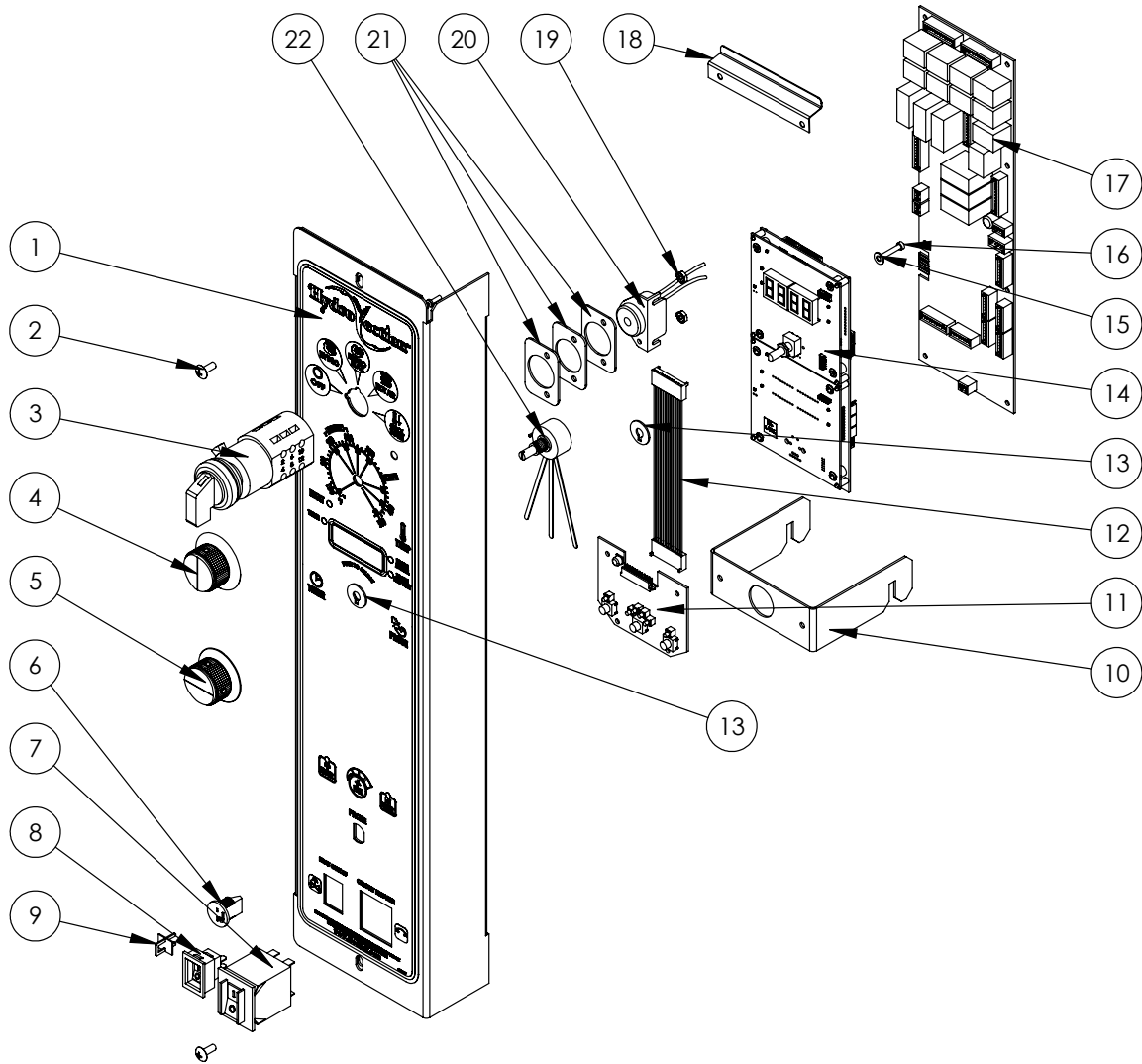


**For HV-100G-AB Ovens (Serial Letter Code KI)**

<u>Ref. No.</u>	<u>Part No.</u>	<u>Description</u>	<u>Ref. No.</u>	<u>Part No.</u>	<u>Description</u>
1	59855	PANEL & DECAL ASSY		59718	CONTROL, TS DD
2	58918	HANGING BRACKET	13	59565	USB CABLE
3	R4872	GASKET, TILT PANEL, BY THE INCH	14	39781	MEAT PROBE JACK
4	39688	CIRCUIT BREAKER, 20A	15	39782	MEAT PROBE JACK PLUG
5	36376	GAS ON/OFF SWITCH	16	59348	TOUCH SCREEN BRACKET
6	34478	SCREW, 6-32 X 0.5 SELF TAPPING	17	20043	12" STRAIN RELIEF
7	53759	BUZZER	18	M3367	NUT, 6-32 KEPS
8	53921	BUZZER SPACER	19	59032	HARNESS, HV FRONT LINE (NOT SHOWN)
9	59434	STANDOFF #4-40 X1"	20	54330	COM CABLE, 20", TOUCHSCREEN (NOT SHOWN)
10	59280	USB SPACER	21	59542	HARNESS, BEEPER, ADDER (NOT SHOWN)
11	59349	DEFLECTOR BRACKET	22	59029	HARNESS, HV FRONT TS DIGI (NOT SHOWN)
12	59360	CONTROL, TS, HV100			
12	59812	CONTROL, TS, HV100 K12			
12	59720	CONTROL, TS LBBQ			
12	59719	CONTROL, TS LSHS			

# MANUAL CONTROL

FOR HV-100G-AB OVENS (MANUFACTURED AFTER 1/25/2017 AND BEFORE 8/1/2017)

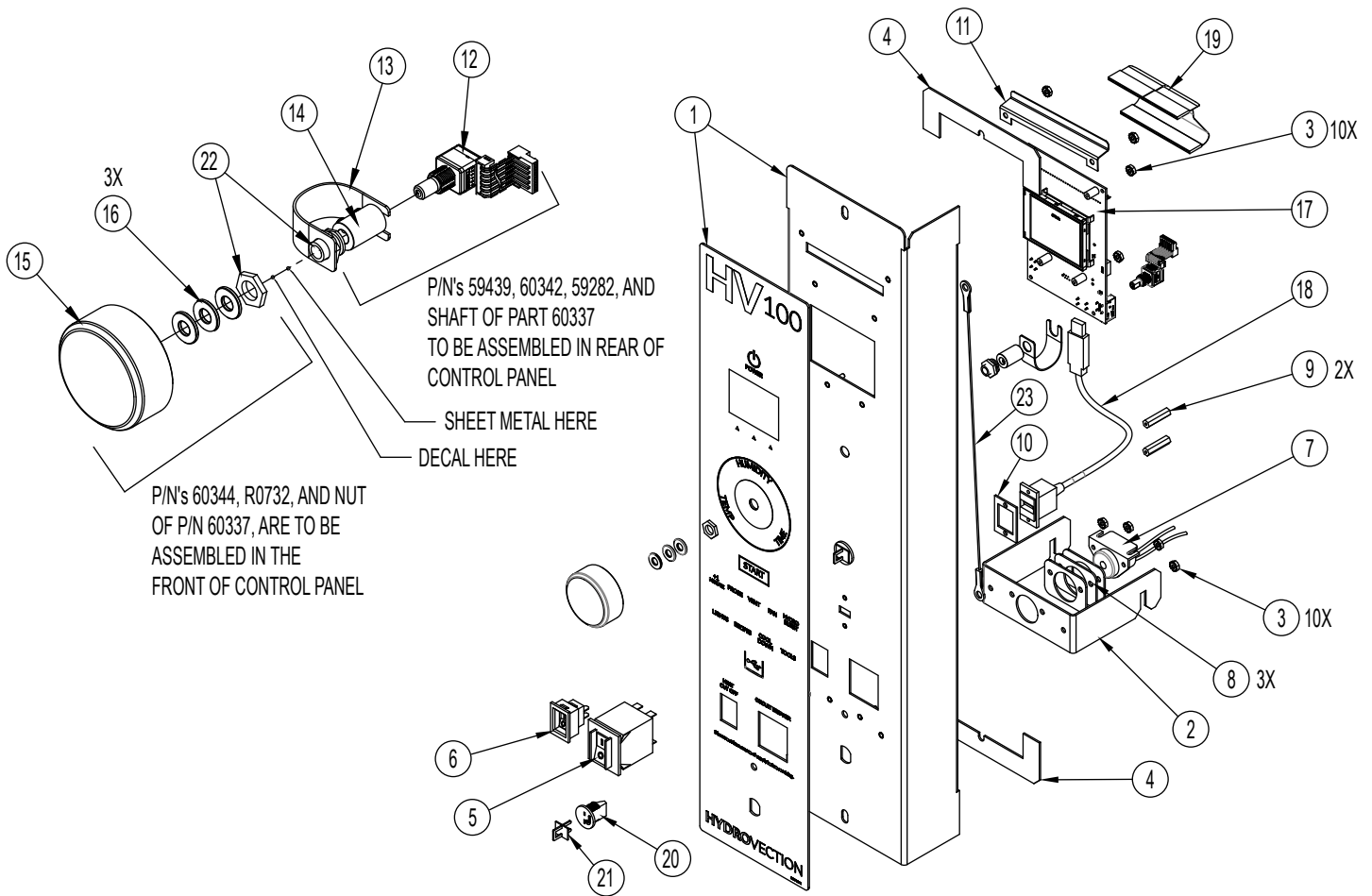


## For HV-100G-AB Ovens (Serial Letter Code KI)

Ref. No.	Part No.	Description	Ref. No.	Part No.	Description
1	59206	PANEL & DECAL	13	54340	ENCODER SUPPORT SPACER
2	16384	10-24 X 1/2 TRUSS HEAD SCREW	14	59150	PROGRAMMED CONTROL, HV100 MANUAL
3	52466	ROTARY SWITCH, 5 POSITION	15	M1421	#6 WASHER
4	36616	KNOB, WITH ARROW	16	34480	#6-32 X 3/4 SCREW
5	36617	KNOB, NO ARROW	17	54380	INTERFACE BOARD, HV100 MANUAL
6	39781	MEAT PROBE JACK	18	52806	DEFLECTOR
7	39688	CIRCUIT BREAKER, 20A	19	M3367	6-32 NUT, KEPS
8	36376	GAS CUTOFF SWITCH	20	53759	BUZZER
9	39782	MEAT PROBE JACK PLUG	21	53921	BUZZER SPACER
10	58918	BRACKET, HANGING, HV100	22	18234	POTENTIOMETER
11	53157	3 BUTTON CIRCUIT BOARD	23	59078	MANUAL CONTROL, COMPLETE ASSEMBLY AS SHOWN (WITHOUT INTERFACE BOARD)
	54075	COMMUNICATION CABLE (NOT SHOWN)			
12	53344	MANUAL CONTROL CONNECTOR HARNESS			

# PROGRAMMABLE MANUAL CONTROL

## FOR HV-100G-AB OVENS (MANUFACTURED AFTER 8/1/2017)

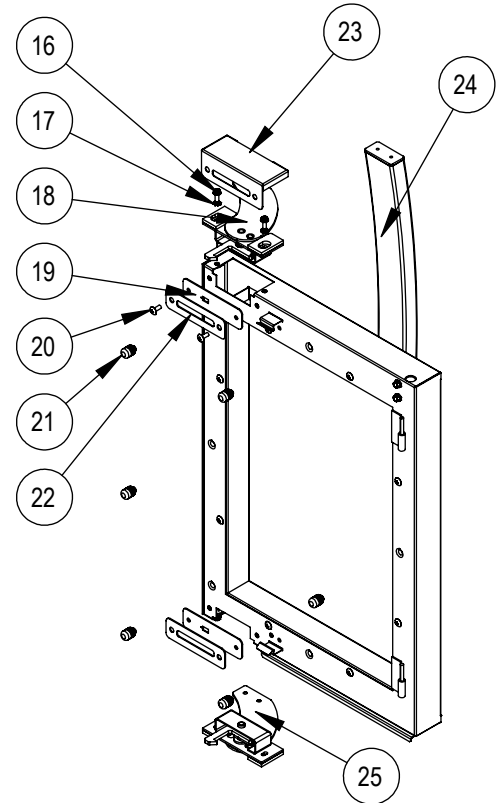
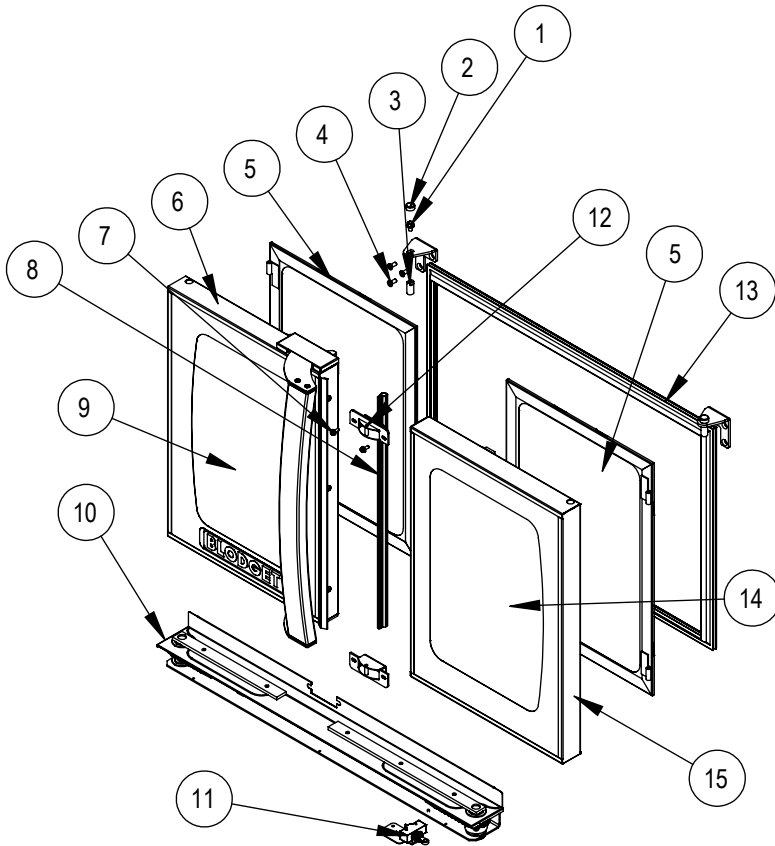


### For HV-100G-AB Ovens (Serial Letter Code KI)

Ref. No.	Part No.	Description	Ref. No.	Part No.	Description
1	59854	PANEL & DECAL ASSY	16	R0732	#10 WASHER
2	58918	HANGING BRACKET	17	59366	CONTROL, MANUAL HV100
3	M3367	NUT, 6-32 KEPS	17	59817	CONTROL, MANUAL HV100, K12
4	R4872	TILT PANEL, GASKET, BY THE INCH	18	59565	USB CABLE
5	39688	CIRCUIT BREAKER, 20A	19	59709	CABLE, CONNECTING CONTROL
6	36376	GAS ON/OFF SWITCH	20	39781	MEAT PROBE JACK
7	53759	BUZZER	21	39782	MEAT PROBE PLUG
8	53921	BUZZER SPACER	22	60337	SHAFT LEAD-IN
9	59434	STANDOFF #4-40 X 1"	23	20043	12" STRAIN RELIEF
10	59280	USB SPACER	54330		COM CABLE, 20", TOUCHSCREEN (NOT SHOWN)
11	59349	DEFLECTOR BRACKET	59032		HARNES, HV FRONT LINE (NOT SHOWN)
12	59282	ENCODER	59552		HARNES, HV100 AB, MANUAL, FRONT (NOT SHOWN)
13	60342	PLASTIC BRACE			
14	59439	COUPLING, 1/4" SET SCREW			
15	60344	KNOB, ENCODER			

# DOORS

FOR HV-100G-AB OVENS (MANUFACTURED AFTER 1/25/2017)

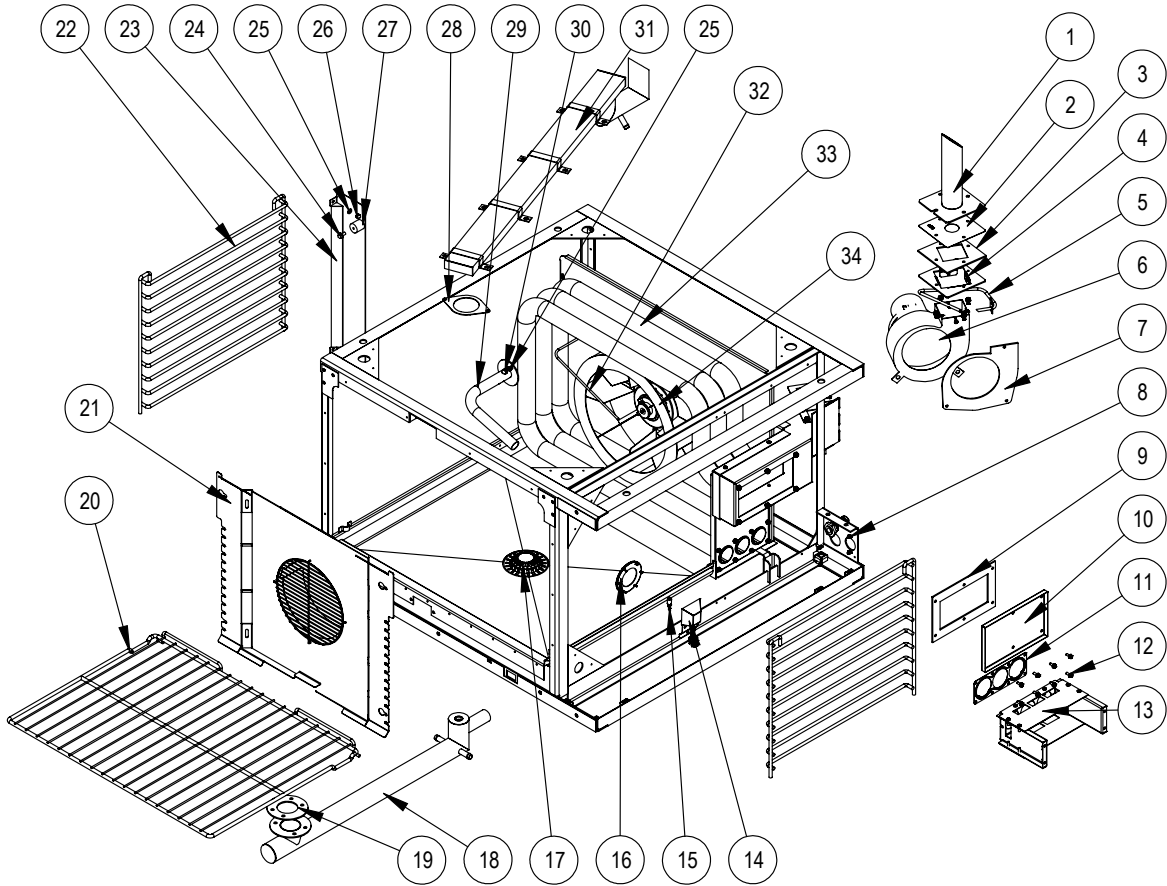


## For HV-100G-AB Ovens (Serial Letter Code KI)

Ref. No.	Part No.	Description	Ref. No.	Part No.	Description
1	52447	DOOR PIN BOLT	14	59006	FRONT GLASS, RH
2	52666	HEX BOLT CAP	15	59141	DOOR ASSEMBLY, RH (COMPLETE AS SHOWN)
3	51591	PIN, DOOR	16	M6315	10-24 X 1/2 HEX WASHER HEAD SCREW
4	M1118	SCREW, 1/4-20 X 5/8, FLAT HEAD	17	16479	LOCK WASHER, EXTERNAL TOOTH
5	59013	ASSY, INNER GLASS	18	58939	LATCH ASSY, RECT, TOP
6	59140	DOOR ASSEMBLY, LH (COMPLETE AS SHOWN)	19	55537	GASKET, DOOR LATCH
7	57725	10-24 X 1/2 SERRATED HEX FLANGE	20	16384	10-24 X 1/2 TRUSS HEAD SCREW
8	51610	GASKET, CENTER DOOR	21	61036	RUBBER BUMPER
9	59007	FRONT GLASS, LH	22	55536	PLATE, LATCH COVER
10	57953	ASSY, DOOR TURNBUCKLE	23	59018	COVER, LATCH, HV100
11	52514	ASSEMBLY, DOOR SWITCH	24	55608	DOOR HANDLE, HV100
12	58824	LATCH CATCH ASSY	25	58938	LATCH ASSY, RECT, BOTTOM
13	52716	GASKET, HV100 PERIMETER BLADE			

# INTERIOR COMPONENTS

FOR HV-100G-AB OVENS (MANUFACTURED AFTER 1/25/2017)

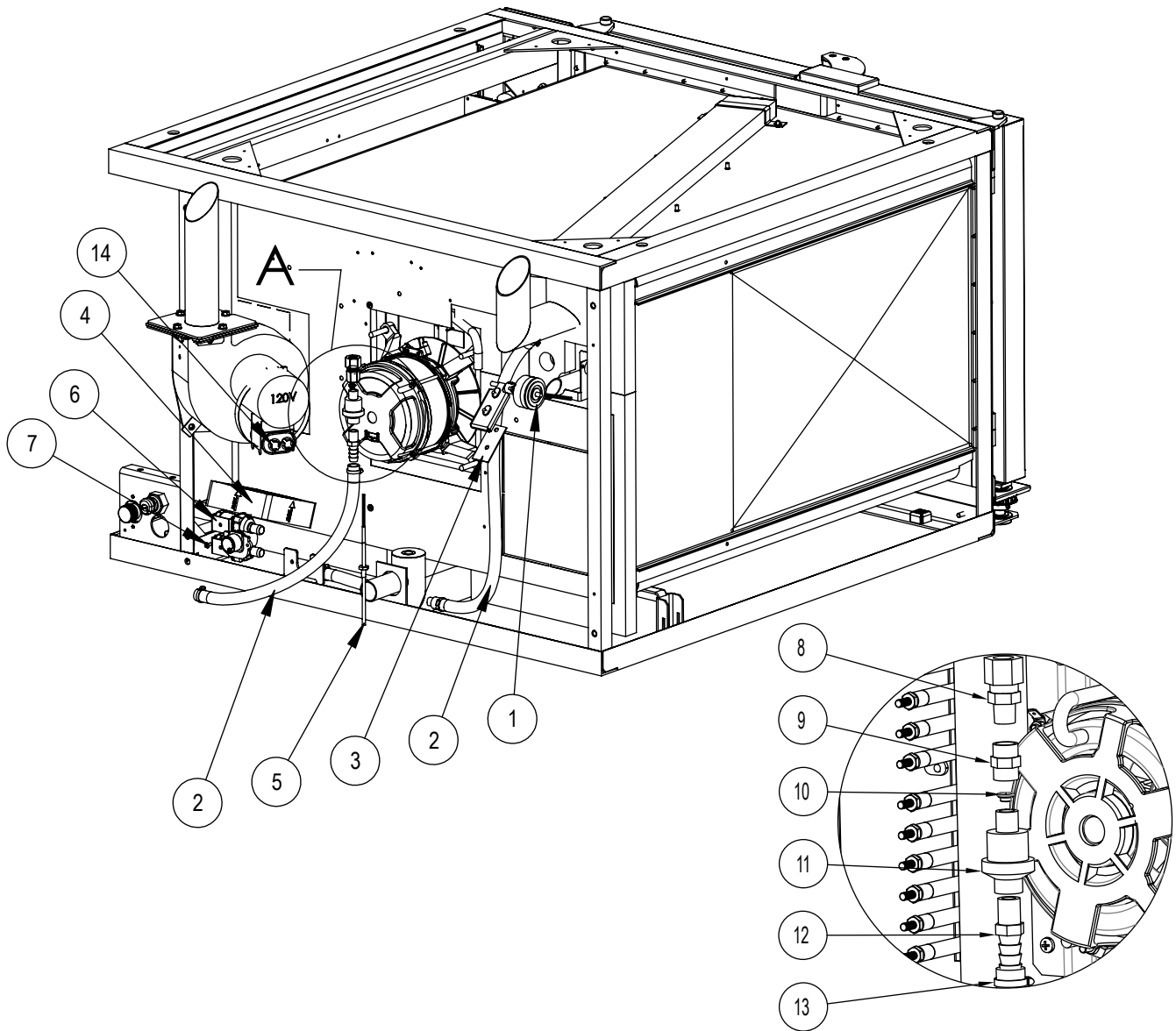


## For HV-100G-AB Ovens (Serial Letter Code KI)

Ref. No.	Part No.	Description	Ref. No.	Part No.	Description
1	58808	FLUE, HV100	18	59154	DRAIN ASSEMBLY
2	55742	HV100G, NATURAL GAS RESTRICTOR PLATE	19	59162	GASKET, DRAIN
3	58985	GASKET, FLUE	20	59046	WIRE RACK
4	58954	ASSEMBLY, BRACKET, FLUE MOUNT	21	58863	BAFFLE, HV100G
5	59058	TUBE, PRESSURE SWITCH	22	59047	SIDE RACK SUPPORT
6	54776	BLOWER ASSEMBLY, 120V	23	58865	BAFFLE, SIDE SUPPORT
6	55864	BLOWER ASSEMBLY, 208/240V	24	58568	1/4-20 X 1/2, SERRATED HEAD BOLT
7	58986	GASKET, IDB BLOWER	25	M0417	LOCK WASHER, 1/4"
8	M3367	NUT, 6-32 KEPS	26	R0712	10-24 ACORN NUT
9	58984	GASKET, IDB BOX	27	58997	SPACER
10	54404	DRAFT INDUCER BOX COVER	28	58998	GASKET, LINER VENT
11	58676	HEAT EX GASKET, SS, HV100G	29	55020	CAVITY VENT
12	M6315	10-24 X 1/2 FLANGE HEAD BOLT	30	11596	1/4-20 LOW PROFILE ACORN NUT
13	54164	BURNER BOX ASSEMBLY	31	58866	VENT ASSEMBLY, HV100
14	53194	LAMP HOUSING ASSEMBLY	32	53007	CAVITY TEMP PROBE
15	53101	HALOGEN BULB	33	54791	HEAT EXCHANGER
16	53081	BEZEL, GASKET & LENSE ASSEMBLY	34	55303	BLOWER WHEEL WITH KEY
17	39336	COVER, DRAIN			

# REAR COMPONENTS

FOR HV-100G-AB OVENS (MANUFACTURED AFTER 1/25/2017)

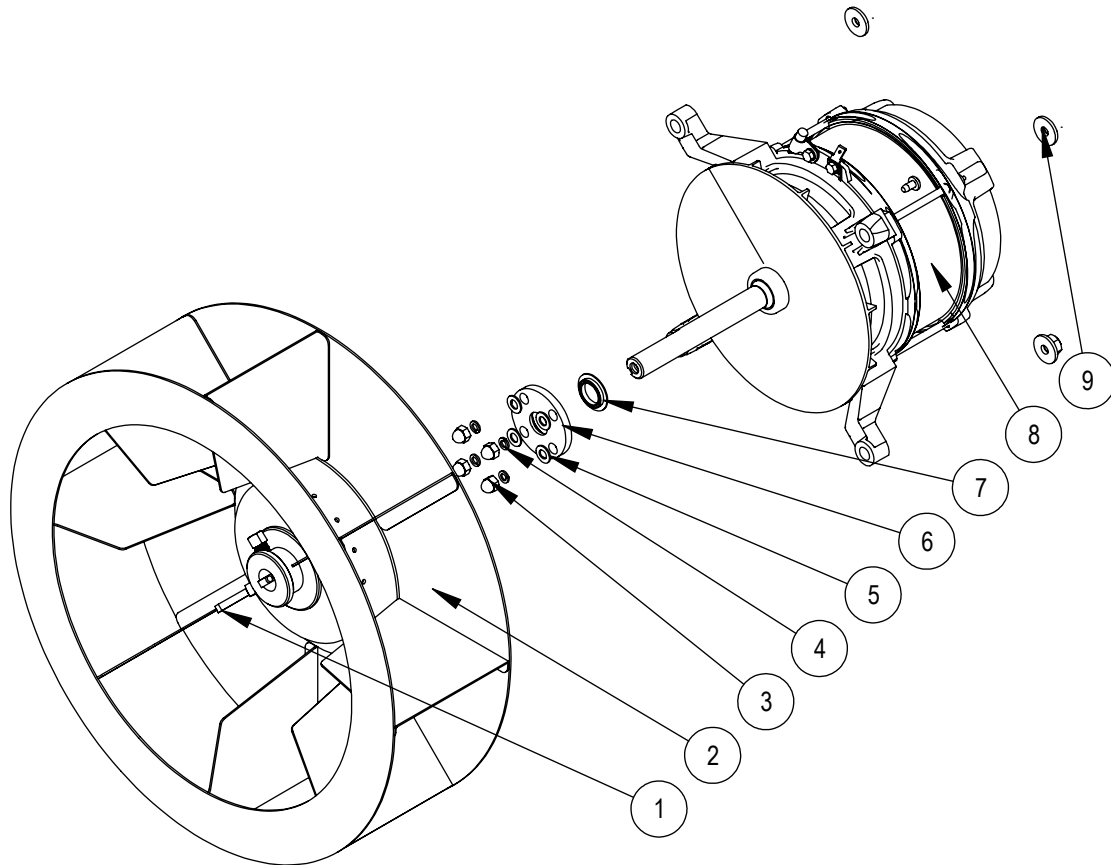


## For HV-100G-AB Ovens (Serial Letter Code KI)

Ref. No.	Part No.	Description	Ref. No.	Part No.	Description
1	39324	ROTARY SOLENOID	8	59333	COMPRESSION FITTING
2	58270	SILICONE HOSE (BY THE INCH)	9	59332	COUPLING
3	55023	VENT GASKET	10	58348	FLOW VALVE ORIFICE
4	52947	AXIAL FAN	11	58347	FLOW VALVE
5	58871	DRAIN TEMP PROBE	12	58884	FITTING, BARBED
6	59630	KIT, DUAL OUTPUT WATER VALVE	13	R0080	HOSE CLAMP
7	R1270	SCREW, M4-.7 X 10MM	14	38610	CAPACITOR
	59176	WATER MANIFOLD (EXT)			

# MOTOR ASSEMBLY

FOR HV-100G-AB OVENS (MANUFACTURED AFTER 1/25/2017)



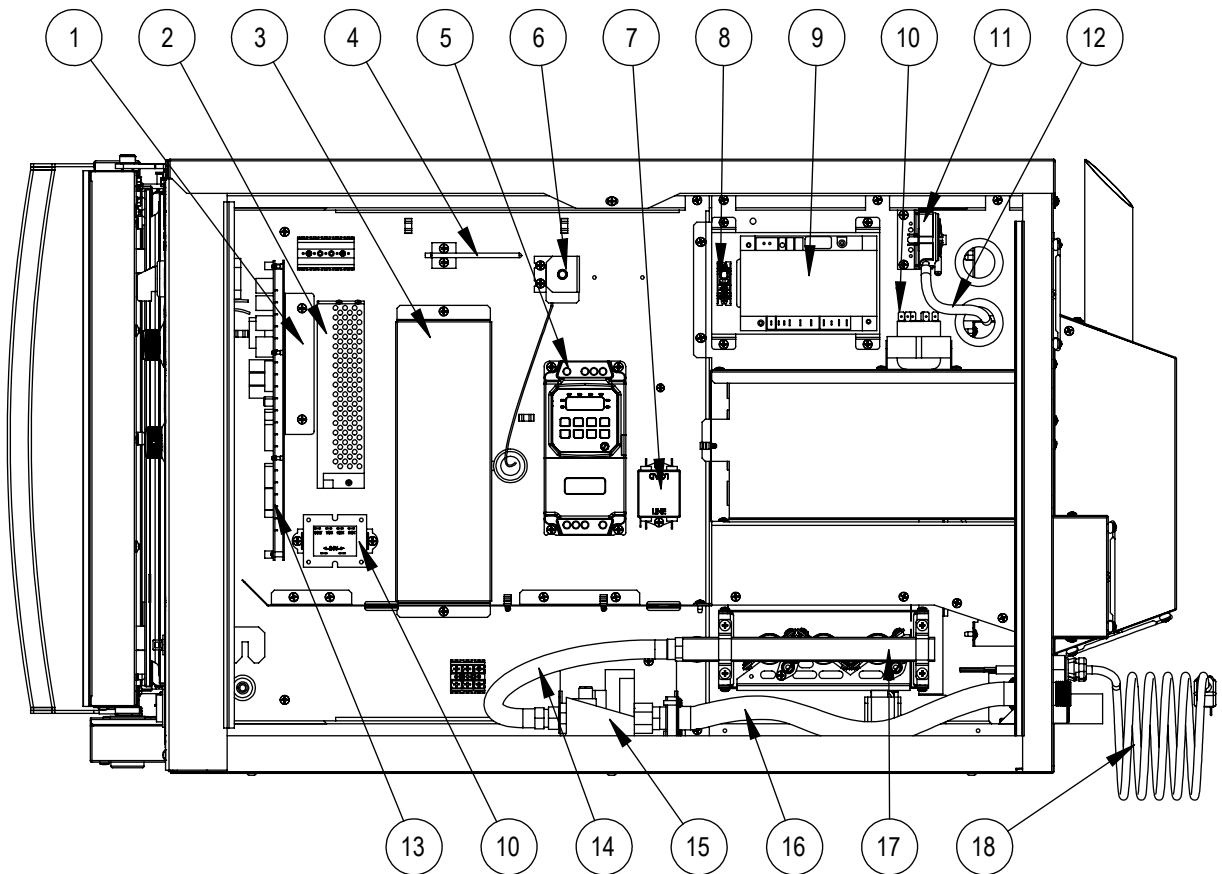
## For HV-100G-AB Ovens (Serial Letter Code KI)

<u>Ref. No.</u>	<u>Part No.</u>	<u>Description</u>
1	54960	KEY, 3/16 X 1"
2	55303	BLOWER WHEEL
3	R0712	ACORN NUT, 10-24
4	R0726	LOCK WASHER, #10
5	R0733	FLAT WASHER, #10
6	59059	SHAFT SEAL RETAINER

<u>Ref. No.</u>	<u>Part No.</u>	<u>Description</u>
7	R4244	SHAFT SEAL
8	59909	CONVECTION MOTOR
9	8628	5/16-18 SERRATED FLANGE NUT

# ELECTRICAL COMPONENTS

FOR HV-100G-AB OVENS (MANUFACTURED AFTER 1/25/2017)

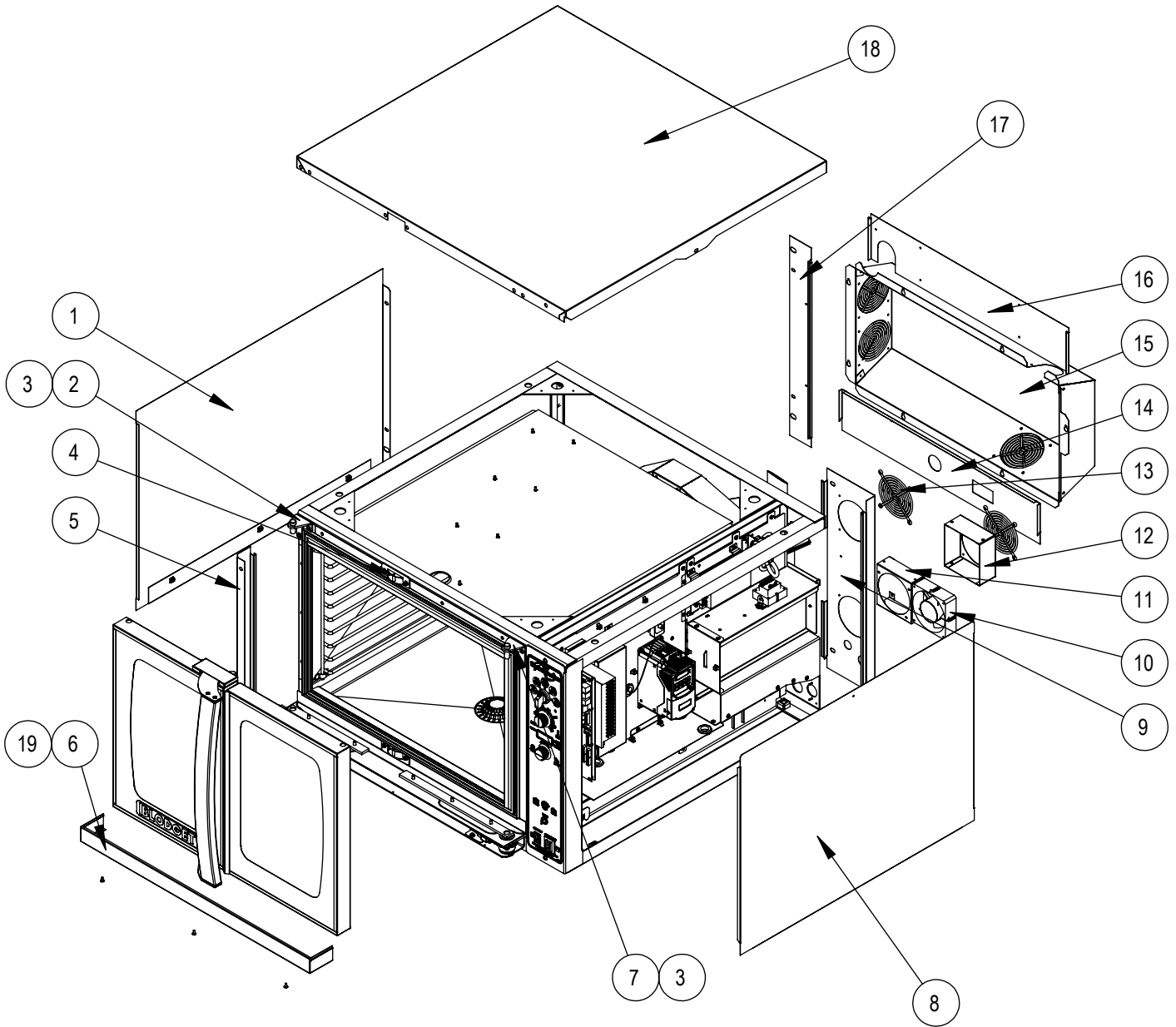


## For HV-100G-AB Ovens (Serial Letter Code KI)

Ref. No.	Part No.	Description	Ref. No.	Part No.	Description
1	53321	I/O BOARD BRACKET	11	M9422	PRESSURE SWITCH
2	59331	24VDC POWER SUPPLY	12	M9705	SILICONE TUBING, (PER INCH)
3	58897	LIGHT ACCESS COVER	13	57727	RELAY BOARD, TOUCHSCREEN
4	56873	PROBE, 1K RTD	13	54380	INTERFACE BOARD, HV100 MANUAL
5	59744	PROG. INVERTER (TS CTRL)	14	33249	FLEX GAS HOSE, 13"
5	59743	PROG. INVERTER (MANUAL CTRL)	15	38742	GAS VALVE ASSY, NATURAL GAS
6	36441	THERMOSTAT, HIGH LIMIT	15	38743	GAS VALVE ASSY, PROPANE
7	53902	EMI FILTER	16	55070	FLEX GAS HOSE, 17"
8	36446	RELAY	17	54453	BURNER ASSEMBLY, NATURAL GAS
9	54388	IGNITION CONTROL	17	54645	BURNER ASSEMBLY, PROPANE
10	38303	TRANSFORMER 40V A	18	5091	CORD SET ASSEMBLY

# EXTERIOR COMPONENTS

## FOR HV-100G-AB OVENS (MANUFACTURED AFTER 1/25/2017)

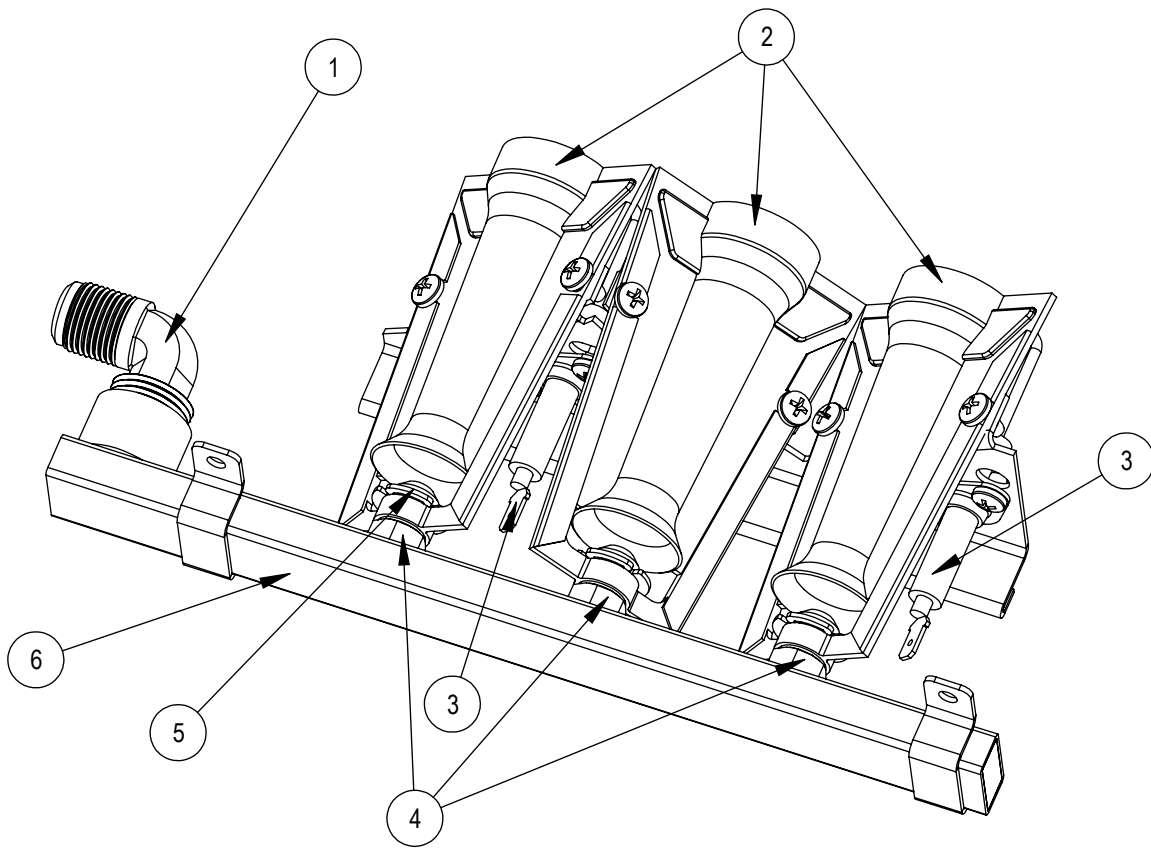


### For HV-100G-AB Ovens (Serial Letter Code KI)

Ref. No.	Part No.	Description	Ref. No.	Part No.	Description
1	58910	BODY SIDE, LEFT	11	58970	FAN MOUNT, HV100
2	51081	HINGE, LEFT	12	59020	FAN COVER, HV100
3	51590	HINGE PIN (LEFT & RIGHT)	13	M0571	FAN GUARD, 4"
4	58824	LATCH CATCH ASSEMBLY	14	59166	BODY BACK, CENTER BOTTOM
5	58902	FRONT TRIM, LEFT	15	59167	BODY BACK, ACCESS COVER
6	51698	TRIM, LOWER FRONT	16	59165	BODY BACK, CENTER TOP
7	51082	HINGE, RIGHT	17	58903	BODY BACK, RIGHT
8	58911	BODY SIDE, RIGHT	18	58901	BODY TOP
9	58904	BODY BACK, LEFT, GAS	19	16384	10-24 TRUSS HEAD SCREW
10	52947	AXIAL FAN			

# BURNER ASSEMBLY

FOR HV-100G-AB OVENS (MANUFACTURED AFTER 1/25/2017)



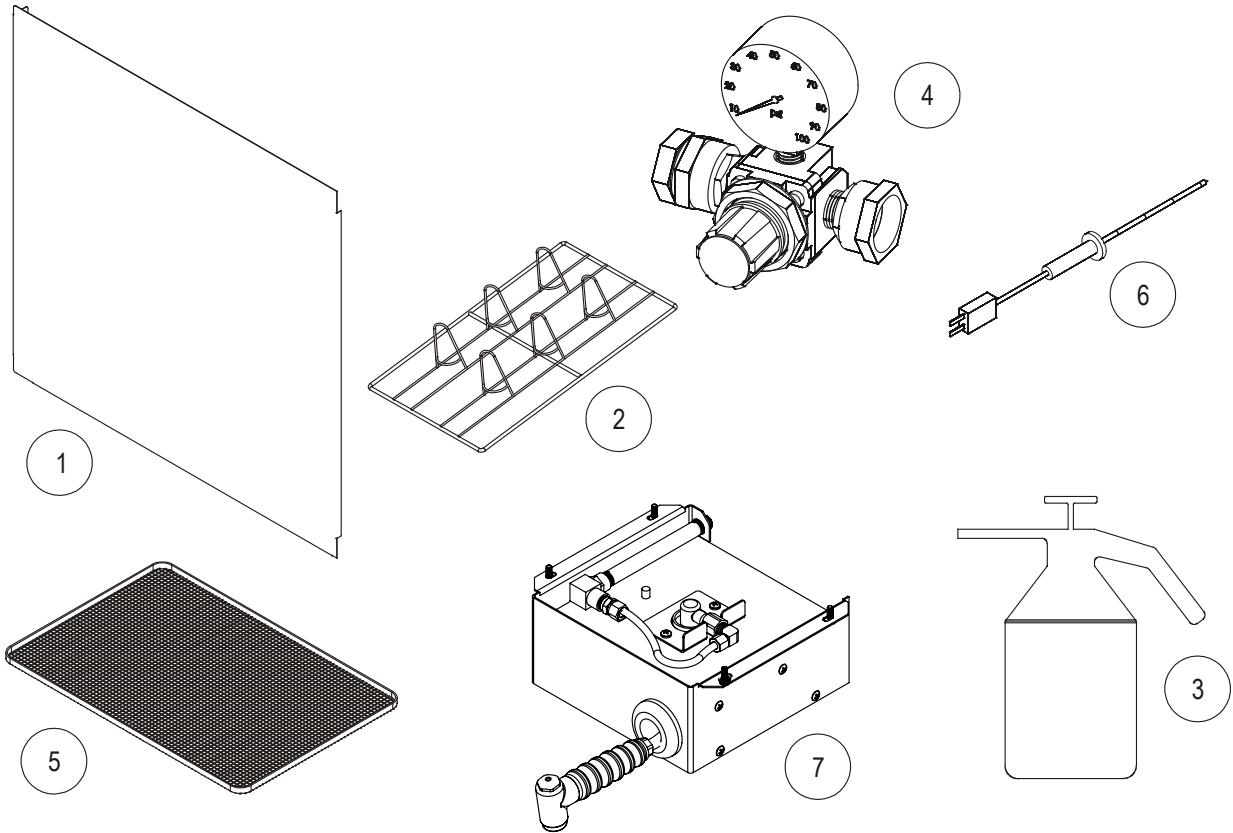
## For HV-100G-AB Ovens (Serial Letter Code KI)

<u>Ref. No.</u>	<u>Part No.</u>	<u>Description</u>	<u>Ref. No.</u>	<u>Part No.</u>	<u>Description</u>
1	50253	ELBOW		100063	KIT, NATURAL TO LP CONVERSION
2	54638	BURNER	5	38964	RETAINING RING
3	38517	ELECTRODE (FLAME SENSE OR IGNITOR)	6	54453	BURNER ASSY, NATURAL GAS (COMPLETE AS SHOWN)
4	54175	ORIFICE, NATURAL GAS	6	54645	BURNER ASSY, PROPANE (COMPLETE AS SHOWN)
4	54640	ORIFICE, PROPANE			
	57796	KIT, LP TO NATURAL CONVERSION			

# **HV-100G & HV-100G-AB OVENS**

# ACCESSORIES

## FOR ALL OVENS



<b>Ref. No.</b>	<b>Part No.</b>	<b>Description</b>	<b>Ref. No.</b>	<b>Part No.</b>	<b>Description</b>
1	52889	HEAT SHIELD KIT	6	56545	MEAT PROBE, 4", DUAL SENSOR
2	52387	CHICKEN ROASTING RACK	6	56546	MEAT PROBE, 6", DUAL SENSOR
3	R10955	SPRAY BOTTLE		57685	MEAT PROBE, 4" FILLET
4	54734	PRESSURE REGULATOR, WITH HOSE REEL		21242	48" GAS HOSE
	52815	PRESSURE REGULATOR W/OUT HOSE REEL		21826	36" GAS HOSE
5	54247	FRY RACK, MULTI PURPOSE	7	54674	EXTERNAL HOSE REEL ASSEMBLY
	5996	CORDSET		52998	SPRAY NOZZLE (PUSH-BUTTON)
	8598	25" S/S LEGS W/FEET (SET OF 4)		54801	GAS MANIFOLD
	16002	CASTERS (SET OF 4)		58536	KIT, STACKING (HOSE REEL NOT INCLUDED)
	54698	34" OPEN STAND W/GUIDES AND FEET		59292	SPRAY NOZZLE W/BACKET (FOR SPRAY HOSE)
	54699	34" OPEN STAND W/GUIDES AND CASTERS		52874	STACKING KIT, HV-100-AA WITH STANDARD DEPTH CONVECTION
	33196	6" SEISMIC LEGS (SET OF 4)		52896	STACKING KIT, HV-100-AA WITH BAKERY DEPTH CONVECTION
	8600	6" S/S LEGS W/FEET (SET OF 4)		59262	STACKING KIT, HV-100-AB WITH STANDARD DEPTH CONVECTION
	53057	8-1/2" LEGS W/CASTERS (SET OF 4)		59260	STACKING KIT, HV-100-AB WITH BAKERY DEPTH CONVECTION
	53058	11" LEGS W/FEET (SET OF 4)			
	53059	11" LEGS W/SEISMIC FEET (SET OF 4)			